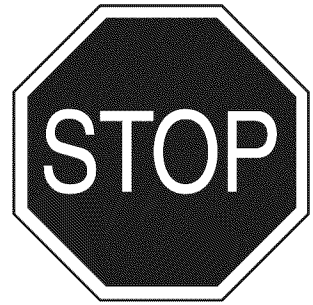


Operator's Manual

CRAFTSMAN®

SCOOP KIT

Model No. 486.24947



DO NOT RETURN TO STORE
For Missing Parts or Assembly
Questions Call 1-866-576-8388

FOR FITTING 486.24847 SCOOP ONTO MODEL 247.20445 FRAME TRACTORS

CAUTION:

Before using this product, read this manual and follow all Safety Rules and Operating Instructions.

- Safety
- Assembly
- Operation
- Maintenance
- Parts

Sears Brands Management Corporation, Hoffman Estates, IL 60179 U.S.A.
www.sears.com/craftsman

PRINTED IN U.S.A.

FORM NO. 28113 (12/02/15)

TABLE OF CONTENTS

WARRANTY	2	ASSEMBLY	3
KIT CONTENTS	2	PARTS ORDERING/SERVICE	4

WARRANTY

CRAFTSMAN LIMITED WARRANTY

FOR ONE YEAR from the date of sale this product is warranted against defects in material or workmanship. WITH PROOF OF SALE a defective part will be replaced free of charge. If a replacement part is unavailable, the product will be replaced with one of equal value.

For warranty coverage details to obtain free replacement, visit the web page: www.craftsman.com/warranty

This warranty does not cover expendable items that can wear out from normal use or deterioration within the warranty period, including but not limited to tires, belts, exterior finishes or product labels.

This warranty does not apply to a product that is damaged or altered through transportation, misuse, abuse, corrosion, accident, neglect, modification or mishandling.

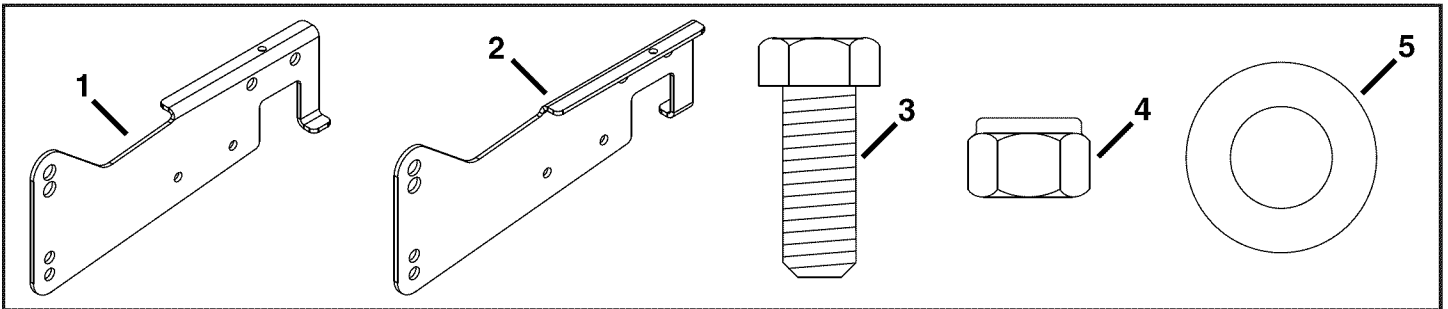
This warranty is void if this product is ever used while providing commercial services or if rented to another person.

This warranty gives you specific legal rights, and you may also have other rights which vary from state to state.

Sears Brands Management Corporation, Hoffman Estates, IL 60179

DO NOT RETURN TO STORE for Missing Parts or Assembly Questions
Call 1-866-576-8388 Attachment Hotline

KIT CONTENTS



REF	PART NO.	QTY	DESCRIPTION	REF	PART NO.	QTY	DESCRIPTION
1	27934	1	Mounting Plate (RH)	4	HA21362	4	Nylock Nut, 3/8"
2	27935	1	Mounting Plate (LH)	5	R19171616	4	Washer
3	43001	4	Hex Bolt, 3/8 x 1"				

ASSEMBLY

TOOLS REQUIRED FOR ASSEMBLY

- (2) 9/16" Wrench
- (2) Adjustable Wrench



CAUTION! Muffler is hot! Allow engine and muffler to cool down before proceeding with kit installation.

STEP 1: (NOT SHOWN)

- Remove the mower deck following the instructions in your tractor owner's manual.

STEP 2: (SEE FIGURE 1)

- Remove the wiring harness clip from the front right of tractor frame.
- Assemble the mounting plate (RH) to the tractor frame using two 3/8 x 1" hex bolts, washers, and 3/8" nylock nuts.
- Attach the wiring harness clip to the top of the mounting plate (RH).
- Repeat for mounting plate (LH).

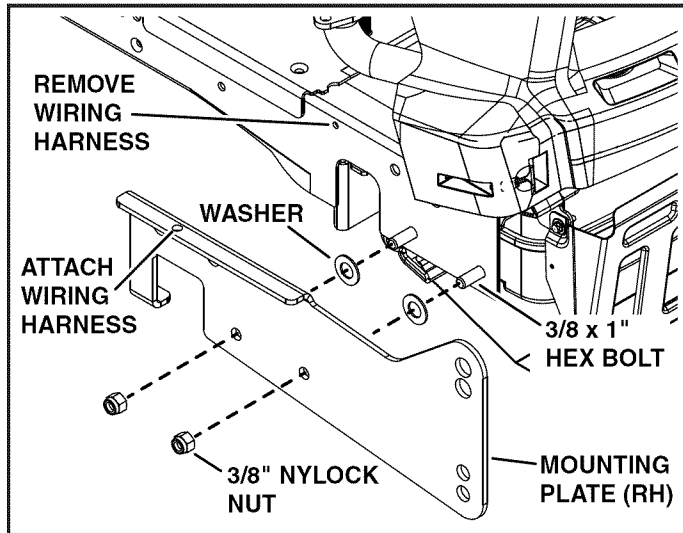


FIGURE 1

STEP 3: (SEE FIGURE 2)

- Attach the frame brace provided with the 486.24847 scoop between the mounting plates using hardware provided with the scoop. Determine the correct hardware to use by referring to the instructions found in the scoop manual for attaching the frame brace.

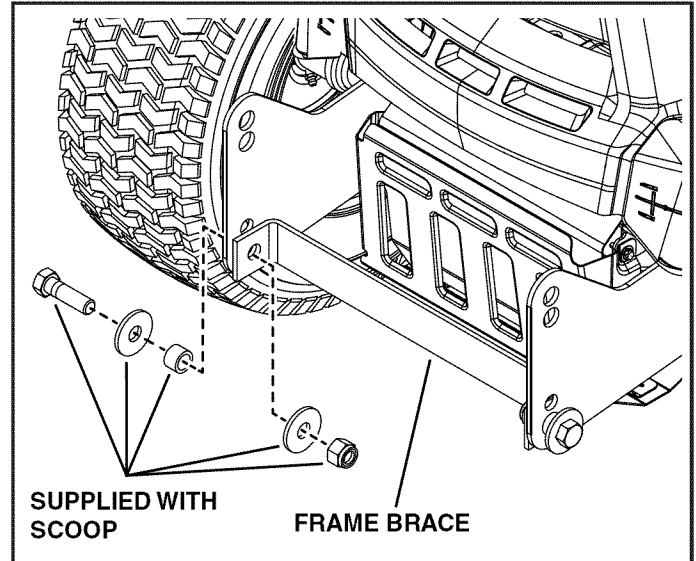


FIGURE 2

STEP 4: (486.24847 MANUAL)

- Go to page 15 in the scoop manual to continue assembly.

CRAFTSMAN[®]

Product questions or problems?

1-888-331-4569

Customer Care Hot Line

**Get answers to questions, troubleshoot problems,
order parts, or schedule repair service.**

Para respuestas a preguntas o problemas, y ordenar
piezas o pedir servicio para la reparación de su equipo.

To help us help you, register your product at www.craftsman.com/registration

Para poderte ayudar mejor, registra tu producto en www.craftsman.com/registration

Join the Craftsman Club today!

CRAFTSMAN CLUB[®]

www.craftsman.com/signup

**Receive exclusive member benefits including special pricing and offers,
project sharing, expert advice, and SHOP YOUR WAY REWARDS!**

Como miembro exclusivo, recibe diversos beneficios como ofertas, precios especiales, proyectos nuevos, consejos de expertos y nuestro programa de puntos SHOP YOUR WAY REWARDS!