

CRAFTSMAN®

SUN SHADE KIT Model No. 486.24079

(For 486.24210 Sun Shades on 247.20440,
247.20442, 247.20444, or 247.20445 Tractors)

CRAFTSMAN LIMITED WARRANTY

FOR ONE YEAR from the date of sale this product is warranted against defects in material or workmanship. WITH PROOF OF SALE a defective part will be replaced free of charge. If a replacement part is unavailable, the product will be replaced with one of equal value.

For warranty coverage details to obtain free replacement, visit the web page: www.craftsman.com/warranty

This warranty does not apply to a product that is damaged or altered through transportation, misuse, abuse, corrosion, accident, neglect, modification or mishandling.

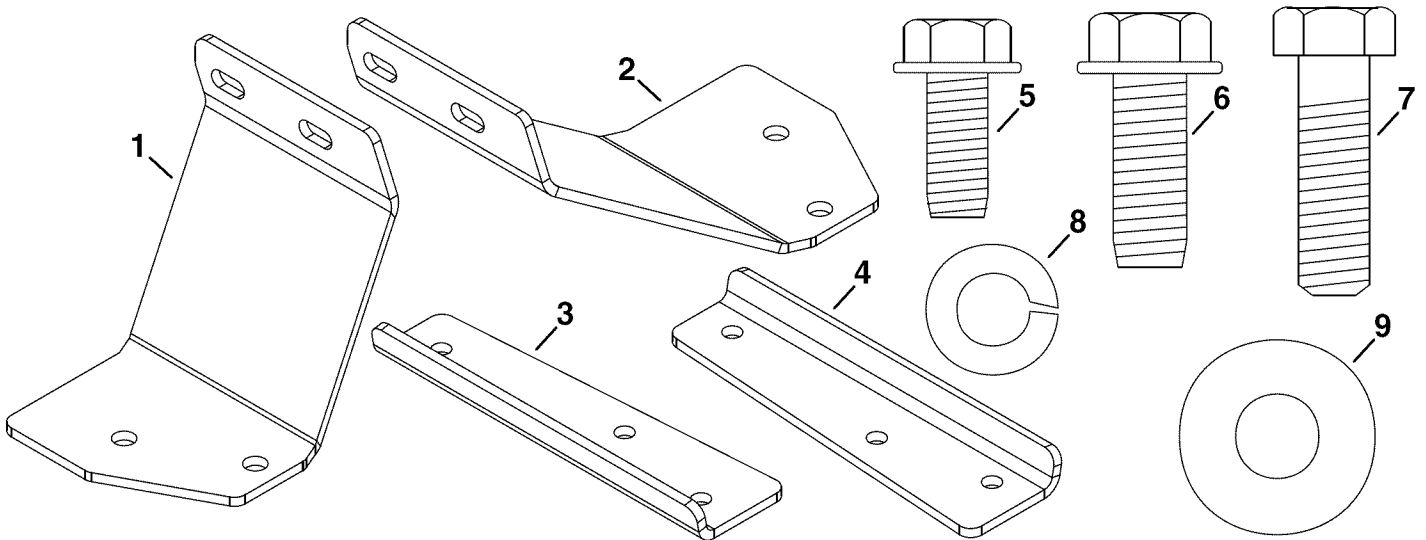
This warranty is void if this product is ever used while providing commercial services or if rented to another person.

This warranty gives you specific legal rights, and you may also have other rights which vary from state to state.

Sears Brands Management Corporation, Hoffman Estates, IL 60179

DO NOT RETURN TO STORE for Missing Parts or Assembly Questions
Call 1-866-576-8388 Attachment Hotline

KIT CONTENTS

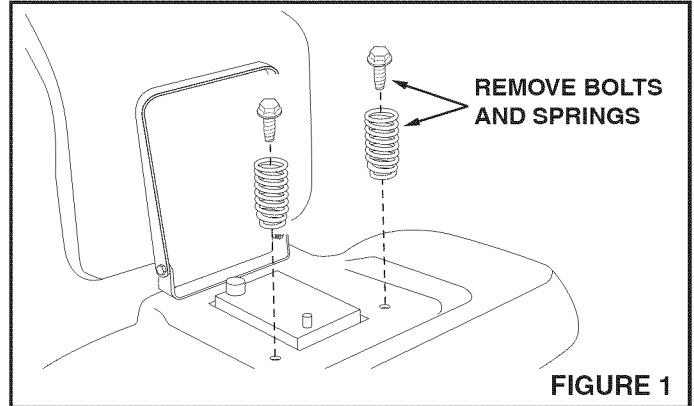


REF. NO.	PART NO.	QTY.	DESCRIPTION	REF. NO.	PART NO.	QTY.	DESCRIPTION
1	28001	1	Mounting Bracket (LH)	6	47631	2	Self Thread Bolt, 3/8 x 1"
2	28002	1	Mounting Bracket (RH)	7	43087	4	Hex Bolt, 3/8 x 1-1/4"
3	28003	1	Mounting Support Bracket (LH)	8	43003	4	Lock Washer, 3/8"
4	28004	1	Mounting Support Bracket (RH)	8	43070	6	Washer, 3/8"
5	47630	2	Self Thread Bolt, 5/16 x 3/4"				

ASSEMBLY INSTRUCTIONS

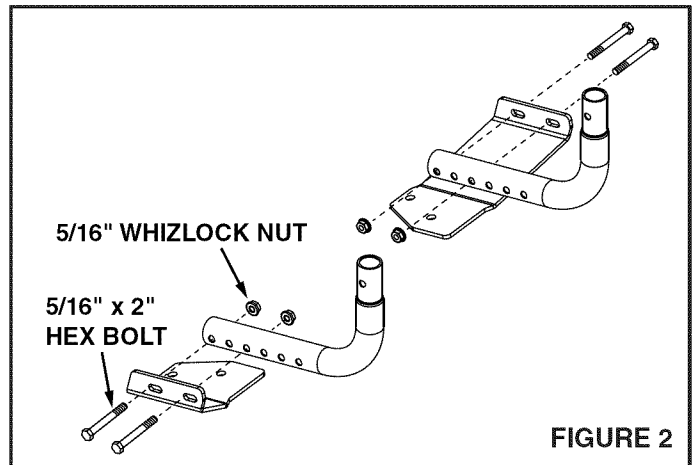
STEP 1: (Figure 1)

Remove the seat springs and bolts from the tractor.



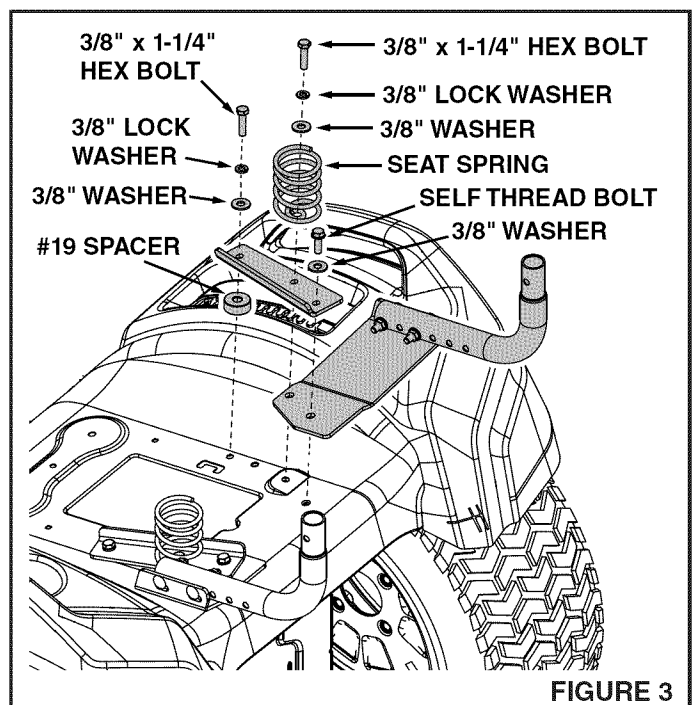
STEP 2: (Figure 2)

Loosely attach a mounting bracket (LH) and (RH) to each base leg tube using two 5/16 x 2" hex bolt and 5/16" whizlock nuts. **Do not tighten yet.**



STEP 3: (Figure 3)

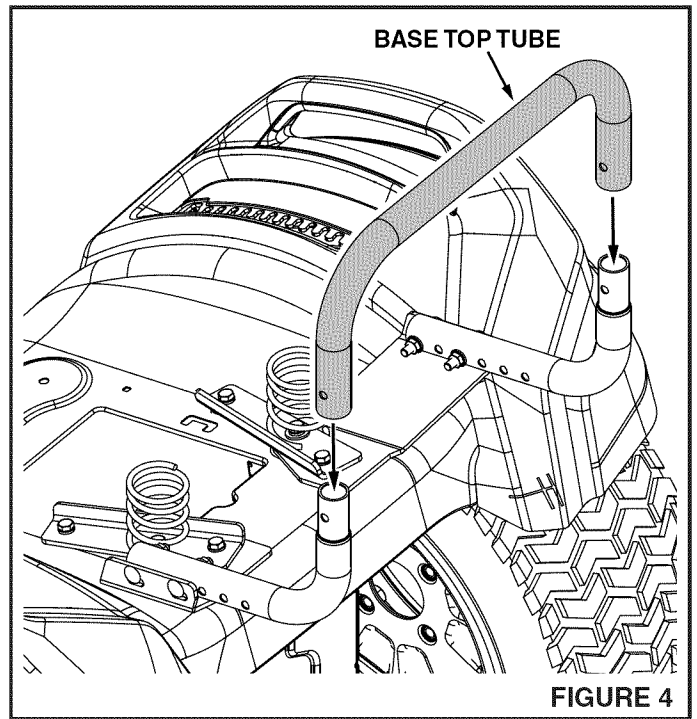
Loosely attach a mounting support bracket (LH) and (RH) to each mounting bracket (LH) and (RH) and then to the rear fender. **Do not tighten yet.**



STEP 4: (Figure 4)

Assemble the base top tube onto the base leg tubes.
Tighten all loose bolts and nuts.

**PROCEED TO PAGE 13 IN THE
SUN SHADE MANUAL**



CRAFTSMAN[®]

Product questions or problems?

1-888-331-4569

Customer Care Hot Line

**Get answers to questions, troubleshoot problems,
order parts, or schedule repair service.**

Para respuestas a preguntas o problemas, y ordenar
piezas o pedir servicio para la reparación de su equipo.

To help us help you, register your product at www.craftsman.com/registration

Para poderte ayudar mejor, registra tu producto en www.craftsman.com/registration

Join the Craftsman Club today!

CRAFTSMAN CLUB[®]

www.craftsman.com/signup

**Receive exclusive member benefits including special pricing and offers,
project sharing, expert advice, and SHOP YOUR WAY REWARDS!**

Como miembro exclusivo, recibe diversos beneficios como ofertas, precios especiales, proyectos nuevos, consejos de expertos y nuestro programa de puntos SHOP YOUR WAY REWARDS!