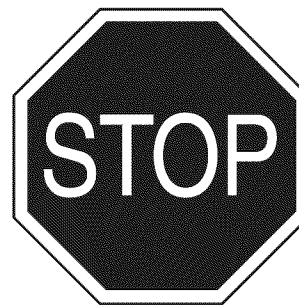


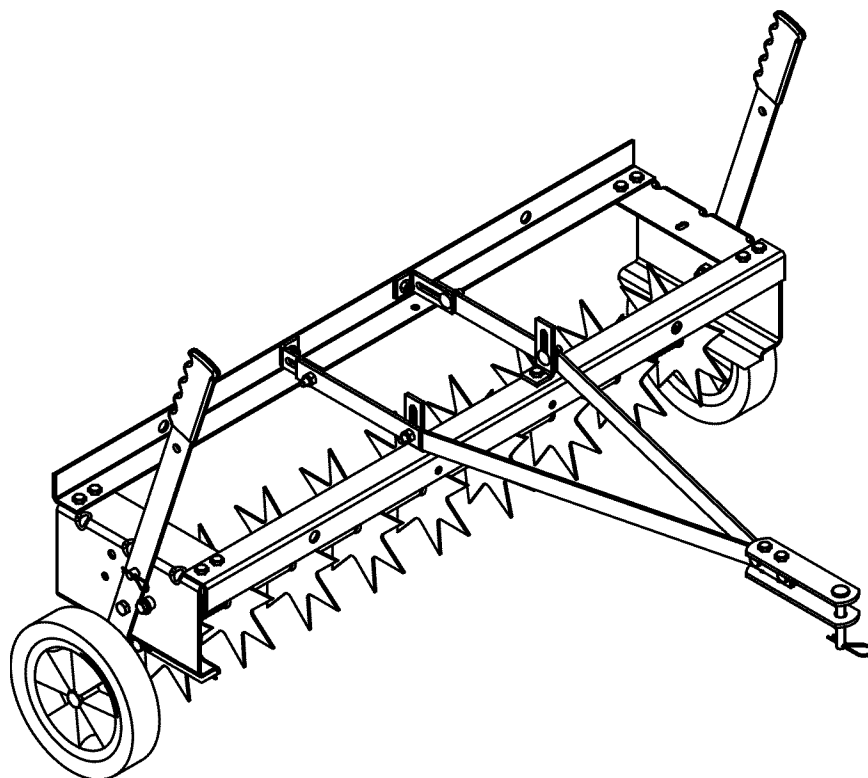
Owner's Manual



36" SPIKE AERATOR

Model No. 486.24309

DO NOT RETURN TO STORE
For Missing Parts or Assembly
Questions Call 1-866-576-8388



CAUTION:

Before using this product, read this manual and follow all Safety Rules and Operating Instructions.

- Safety
- Assembly
- Operation
- Maintenance
- Parts

Sears Brands Management Corporation, Hoffman Estates, IL 60179 U.S.A.
www.craftsman.com

TABLE OF CONTENTS

SAFETY RULES.....2	OPERATION..... 7
FULL SIZE HARDWARE CHART.....3	MAINTENANCE/STORAGE 7
CARTON CONTENTS4	REPAIR PARTS 8
ASSEMBLY.....4	PARTS ORDERING/SERVICEBack Cover

WARRANTY

CRAFTSMAN LIMITED WARRANTY

FOR ONE YEAR from the date of sale this product is warranted against defects in material or workmanship. WITH PROOF OF SALE a defective part will be replaced free of charge. If a replacement part is unavailable, the product will be replaced with one of equal value.

For warranty coverage details to obtain free replacement, visit the web page: www.craftsman.com/warranty

This warranty does not cover expendable items that can wear out from normal use or deterioration within the warranty period, including but not limited to tires, belts, exterior finishes or product labels.

This warranty does not apply to a product that is damaged or altered through transportation, misuse, abuse, corrosion, accident, neglect modification or mishandling.

This warranty is void if this product is ever used while providing commercial services or if rented to another person.

This warranty gives you specific legal rights, and you may also have other rights which vary from state to state.

Sears Brands Management Corporation, Hoffman Estates, IL 60179

DO NOT RETURN TO STORE for Missing Parts or Assembly Questions

Call 1-866-576-8388 Attachment Hotline

The model number and serial numbers will be found on a decal attached to the aerator. You should record both the serial number and the date of purchase and keep in a safe place for future reference.	SERIAL NUMBER: _____ DATE OF PURCHASE: _____
---	---



SAFETY

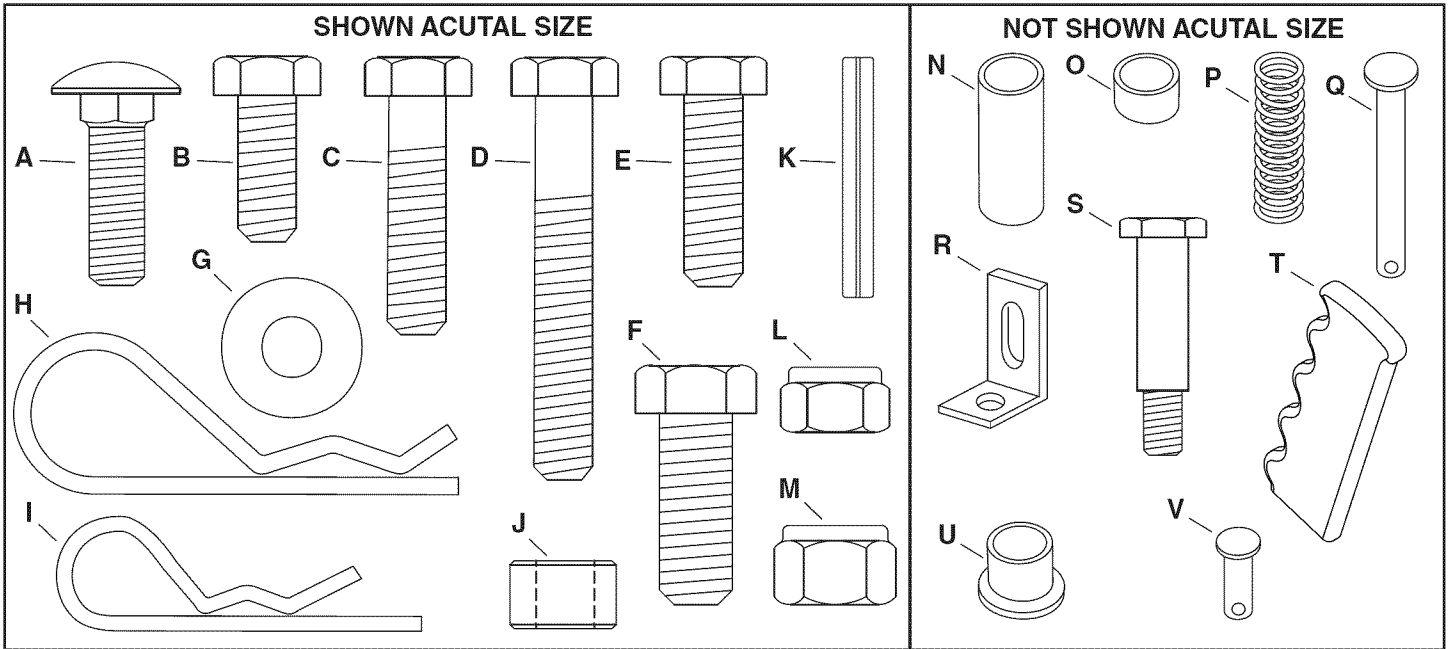


Any power equipment can cause injury if operated improperly or if the user does not understand how to operate the equipment. Exercise caution at all times when using power equipment.

- Read the owners manual carefully for operating and service instructions before attempting to assemble or operate this equipment. Be thoroughly familiar with the proper use of this equipment.
- Read the vehicle owners manual and vehicle safety rules, and know how to operate the vehicle before using this equipment.
- Never allow children to operate the tractor or spike aerator attachment, and do not allow adults to operate without proper instructions.
- Wear eye protection when operating the aerator.
- Wear substantial footwear when operating the aerator.
- Do not allow anyone to ride or sit on spike aerator attachment frame or on towing vehicle.
- Keep the area of operation clear of all persons, particularly small children, and also pets.
- Always begin with the transmission in first (low) gear and engine at low speed, and gradually increase speed as conditions permit.
- The vehicle braking and stability may be affected with the attachment of this equipment. Be aware of changing conditions on slopes. Refer to safety rules in the vehicle owner's manual concerning safe operation on slopes. **STAY OFF OF STEEP SLOPES.**
- Always operate up and down a slope, never across the face of a slope
- This equipment should be operated at reduced speed on rough terrain, along creeks and ditches and on hillsides, to prevent tipping and loss of control. Do not drive too close to a creek or a ditch.
- Do not tow this equipment on a highway or any other public thoroughfare.
- Follow the maintenance instructions as outlined in this owners manual.

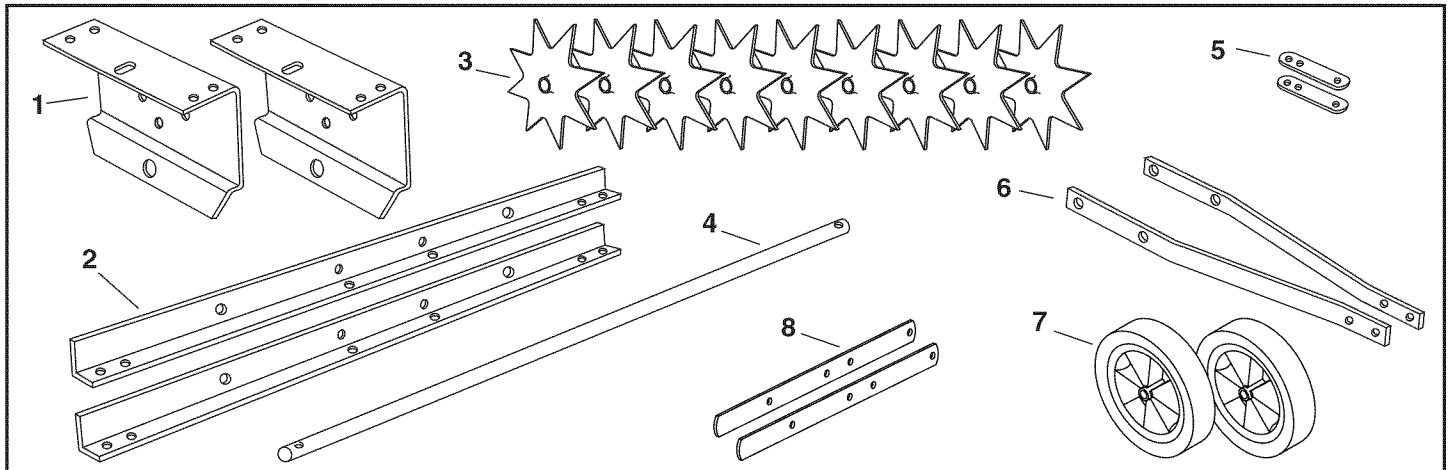
Look for this symbol to point out important safety precautions. It means – **Attention!! Become alert!!** Your safety is involved.

HARDWARE PACKAGE CONTENTS



REF.	PART NO.	QTY.	DESCRIPTION	REF.	PART NO.	QTY.	DESCRIPTION
A	44326	4	Bolt, Carriage 5/16-18 x 1"	L	47810	26	Nut, Nylock 5/16-18
B	43182	12	Bolt, Hex 5/16-18 x 3/4"	M	HA21362	4	Nut Nylock, 3/8"
C	43840	2	Bolt, Hex 5/16-18 x 1-1/4"	N	45151	6	Spacer Tube, Long
D	44180	2	Bolt, Hex 5/16-18 x 2"	O	48130	2	Spacer Tube, Short
E	43063	2	Bolt, Hex 5/16-18 x 1"	P	47777	2	Spring
F	43001	2	Bolt, Hex 3/8-16 x 1"	Q	47623	1	Hitch Pin
G	43088	2	Washer	R	23442	4	Hitch Arm Mount Bracket
H	43343	1	Large Hair Cotter Pin	S	43029	2	Shoulder Bolt, 3/8-16 x 2-5/16"
I	47134	2	Small Hair Cotter Pin	T	43943	2	Grip
J	23727	2	Small Spacer	U	741-0249	11	Flanged Bearing
K	44665	2	Spring Pin, 1/4" x 1-1/4"	V	44044	2	Clevis Pin, 3/8" x 3/4"

CARTON CONTENTS



REF.	PART NO.	QTY.	DESCRIPTION	REF.	PART NO.	QTY.	DESCRIPTION
1	23903	2	End Plate	5	23981	2	Hitch Bracket
2	24012	2	Frame Angle	6	23914	2	Hitch Mount Arm
3	24332	9	Spike Disc	7	43021	2	Wheel
4	26143	1	Axle	8	27876	2	Transport Handle

ASSEMBLY



CAUTION: The spike disks have sharp points. To avoid injury, use extra care when handling the disks and when assembling the aerator.

TOOLS REQUIRED FOR ASSEMBLY

- (2) 1/2" open or boxed end wrench
- (1) Hammer

Lay out and identify all parts and hardware as shown in Carton Contents and Hardware Pack illustrations.

- Assemble the two frame angles (one with the bend up and the other with the bend down) to the two end plates using eight 5/16" x 3/4" hex bolts and eight 5/16" nylock nuts. Make sure that the frame is squared up, and then **tighten**. See figure 1.

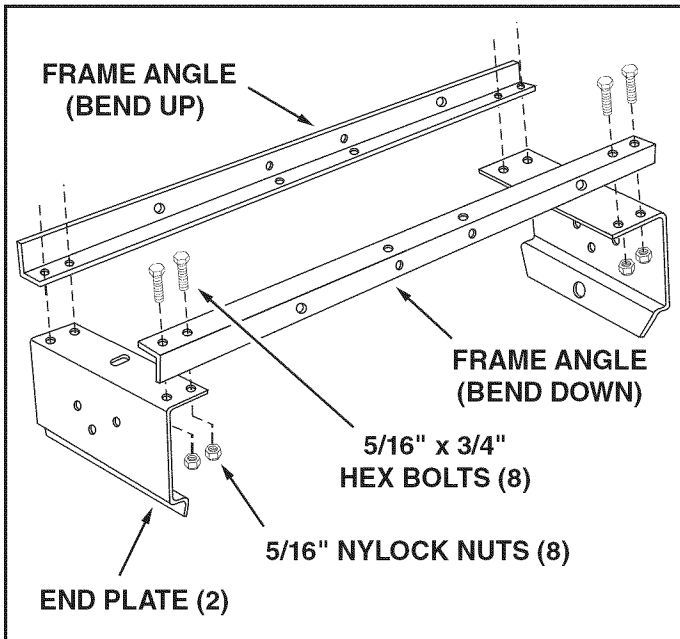


FIGURE 1

- Using a hammer, drive a spring pin into a hole in the axle until the pin just slightly extends through the other side of the axle. Next, assemble a flanged bearing onto the axle as shown. See figure 2.

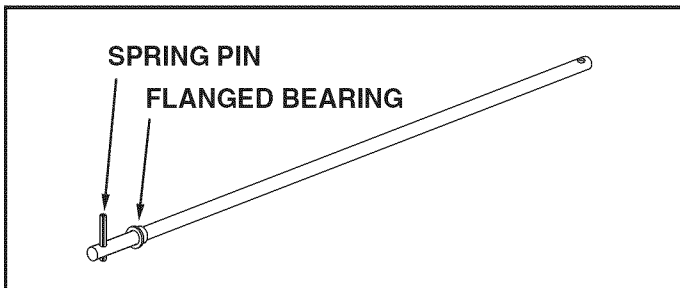


FIGURE 2

- Carefully press or hammer a flanged bearing into each spike disk from the side shown in figure 3.

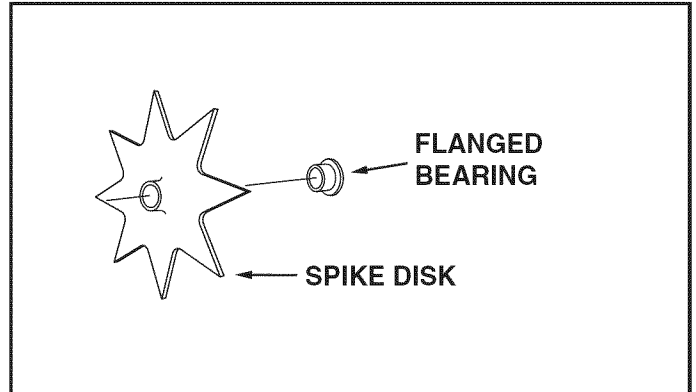


FIGURE 3

- Insert the end of the axle through one of the end plates. See figure 4.
- Assemble onto the axle, in order, a short spacer, a spike disk and a spring. See figure 4.

NOTE: All spike disks should face the same direction.

- Next, starting with a spike disk, assemble seven spike disks and six long spacers onto the axle. See figure 4.
- Finally, assemble a spring, a spike disk and a short spacer onto the axle. Push the end of the axle through the second end plate. See figure 4.

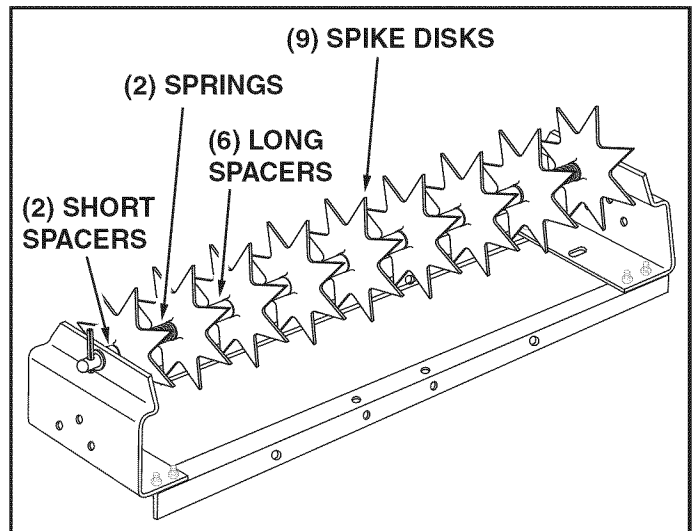


FIGURE 4

- Slide a flanged bearing onto the axle and push it into the hole in the end plate. See figure 5.
- Drive a spring pin into the hole in the axle until the pin just slightly extends through the other side of the axle. The spring pins secure the axle in the frame and should also prevent the axle from rotating. See figure 5.

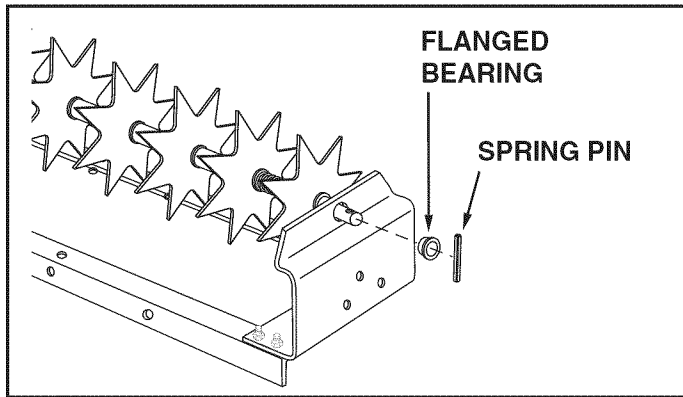


FIGURE 5

- Attach two hitch arm mount brackets to the middle holes in the rear frame angle using two 5/16" x 3/4" hex bolts and two 5/16" nylock nuts. **Do not tighten completely.** See figure 6.
- Attach two hitch arm mount brackets to the middle holes in the front frame angle using two 5/16" x 3/4" hex bolts and two 5/16" nylock nuts. **Do not tighten completely.** See figure 6

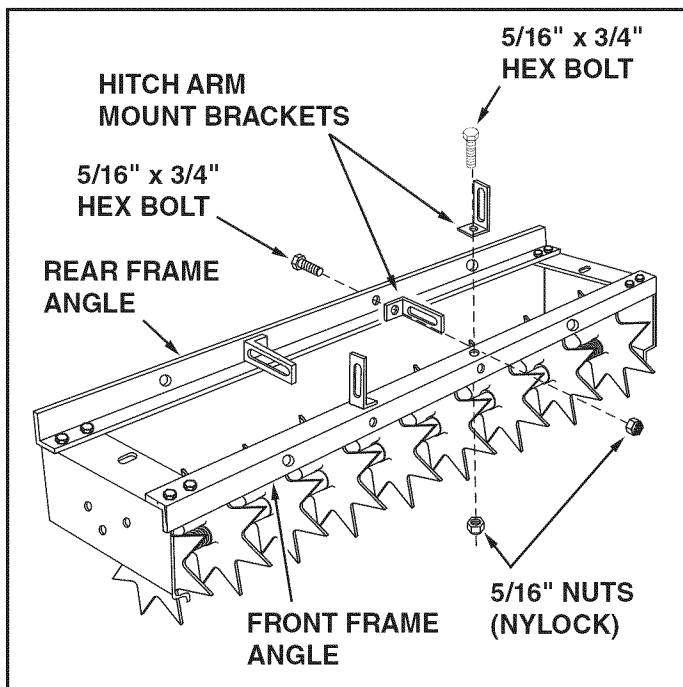


FIGURE 6

- Assemble the hitch mount arms to the **outside** of the four hitch arm mount brackets as shown in figure 7. Use four 5/16" x 1" carriage bolts and four 5/16" nylock nuts. **Do not tighten yet.** See figure 7.

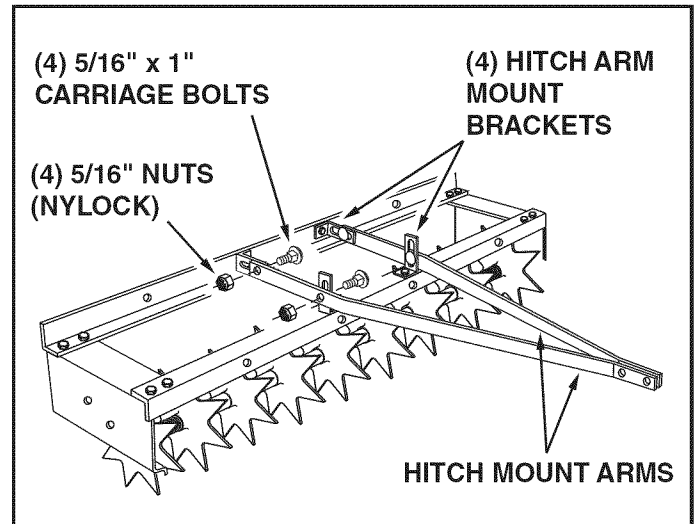


FIGURE 7

- Assemble the ends of the hitch mount arms together using two 5/16" x 1-1/4" hex bolts and two 5/16" nylock nuts as shown in figure 8. **Do not tighten yet.**
- Assemble the hitch brackets to the hitch mount arms using two 5/16" x 2" hex bolts and two 5/16" nylock nuts as shown in figure 8. **Do not tighten yet.**
- Assemble the hitch pin and the large hair cotter pin to the hitch brackets.

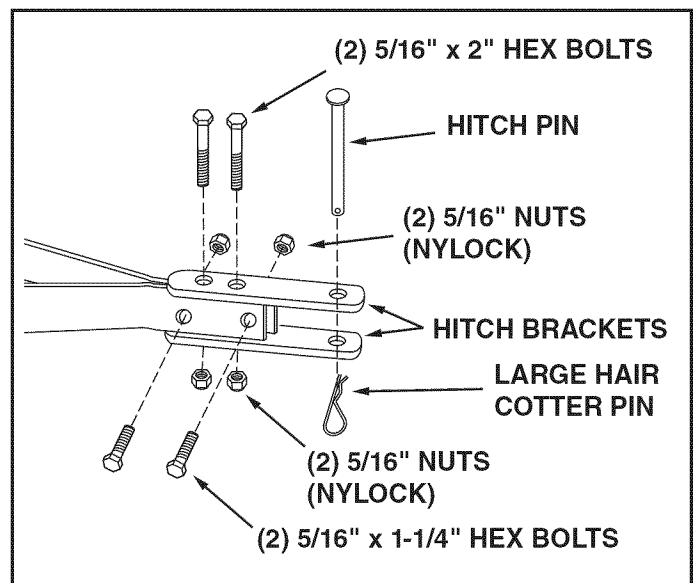


FIGURE 8

- **Tighten** the bolts assembled in figure 6.
- **Tighten** the bolts assembled in figure 7.
- **Tighten** the bolts assembled in figure 8.

- Assemble a 5/16 x 1" hex bolt, washer, spacer, and 5/16" nylock nut to the front hole on each end plate. See figure 9.

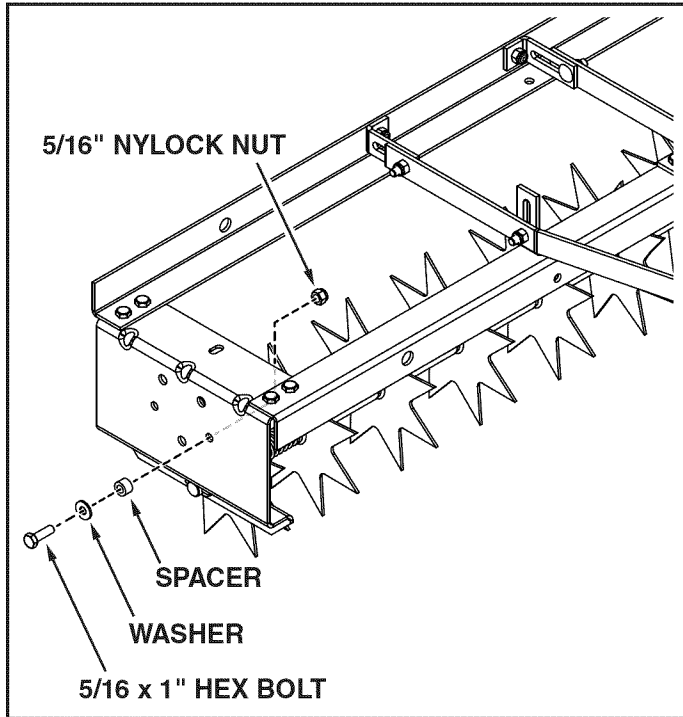


FIGURE 9

- Attach each handle to the bottom hole in the end plate using a 3/8" hex bolt and 3/8" nylock nut. Tighten so that the handle is secure but can still move freely. See figure 11.

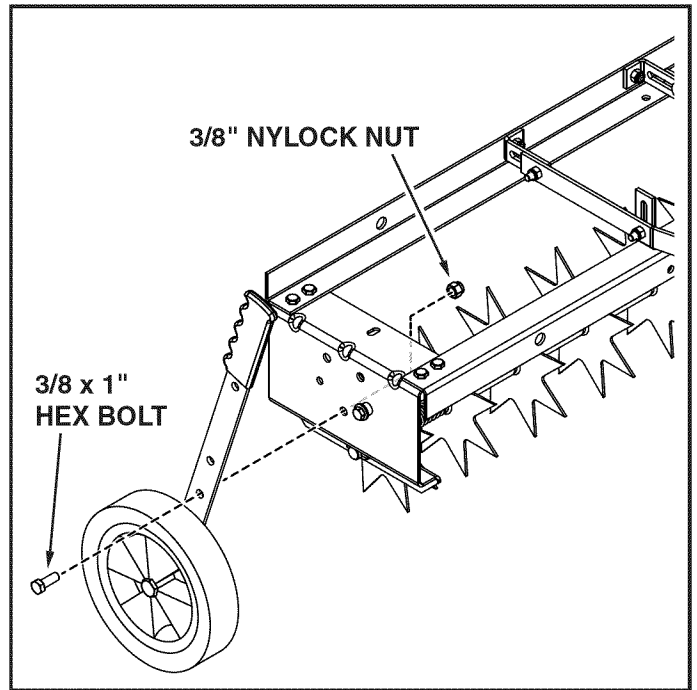


FIGURE 11

- Assemble a grip onto each handle. See figure 10.
- Attach a wheel to bottom hole of each handle using a shoulder bolt and 3/8" nylock nut. See figure 10.

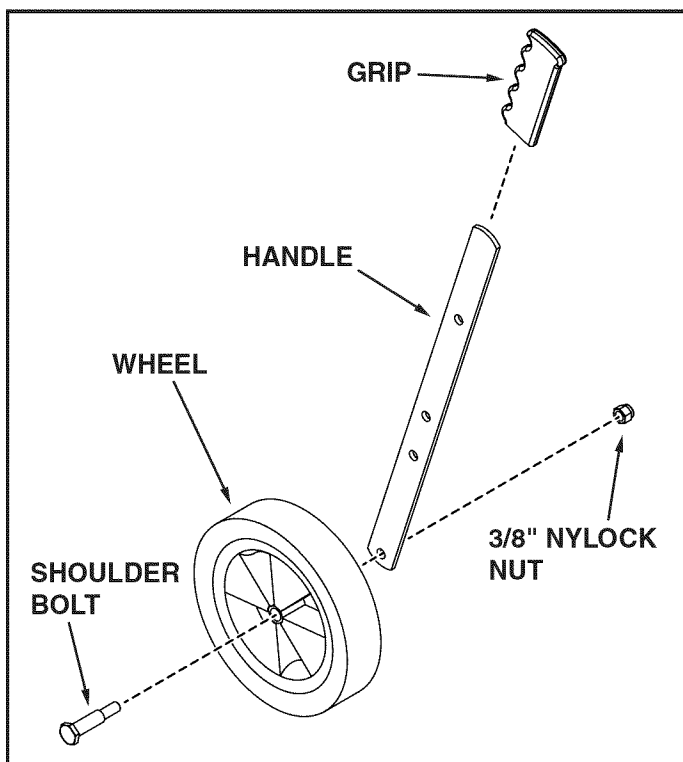


FIGURE 10

- Assemble a 3/8" x 3/4" clevis pin and a small hair cotter pin to the end plate and the handle on each end of the aerator to lock the handles in the transport position.

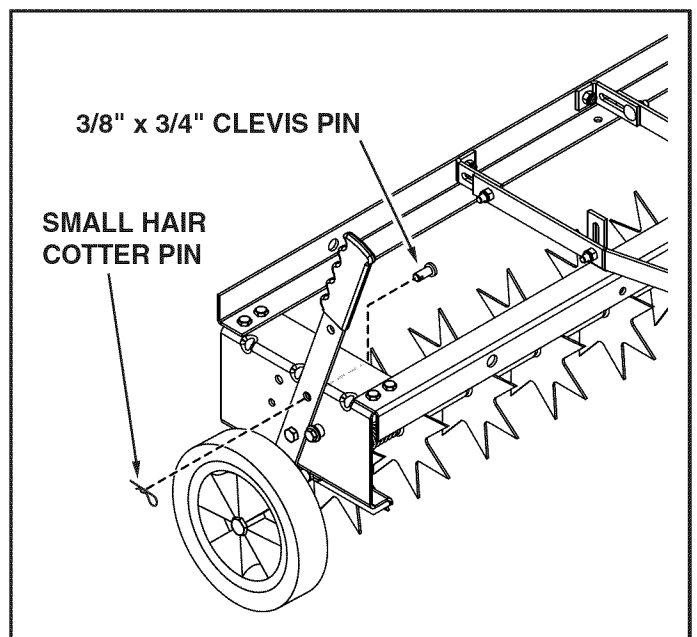


FIGURE 12

- Attach the aerator to your tractor using the hitch pin and the large hair cotter pin.

OPERATION



CAUTION: Spike disks have sharp points. Exercise caution at all times when using the aerator.

- Aerate in the straightest line possible, making overlapping passes to increase spike point pattern.
- To prevent lawn damage, avoid sharp turns.
- On sloped lawns aerate in up and down direction. **DO NOT** aerate across the face of slopes.
- To increase the depth of spike point penetration, weight can be added to the frame. Two 35 lb. patio type concrete blocks will fit easily onto the frame. The added weight can be secured to the frame with straps or other binding material. **DO NOT** exceed 90 lb. weight capacity. See figure 13.

BEFORE USING YOUR AERATOR

- **DO NOT** attempt to aerate if ground is muddy.
- If ground is extremely hard or dry, it is recommended that it be watered down for 1 or 2 hours prior to use.
- Mow lawn and remove loose clippings prior to use of lawn aerator.
- Attach the aerator to the tractor hitch and check to see that the aerator is level. Adjust by loosening the bolts which fasten the hitch mount arms to the hitch arm mount brackets. Raise or lower the position of the arms until the aerator is level. See figure 9.

HOW TO USE YOUR AERATOR

Aerating cuts small holes in the soil to create reservoirs that bring oxygen, fertilizer and water into the root zone. For best performance of the spike aerator attachment, the following lawn preparation and operation is recommended.

- Move clevis pins in handles to upper holes in handles.
- Lower aerator spikes to ground.
- Start tractor engine with controls in neutral and place throttle at slow engine speed.
- Engage shift lever into lowest possible forward speed and increase speed as conditions permit.

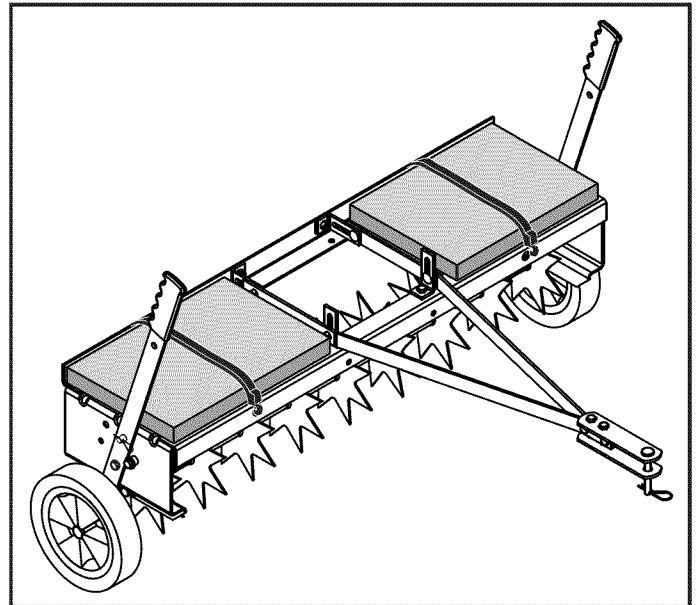


FIGURE 13

MAINTENANCE/STORAGE

CUSTOMER RESPONSIBILITIES

- Read and follow the maintenance schedule and the maintenance procedures listed in this section.

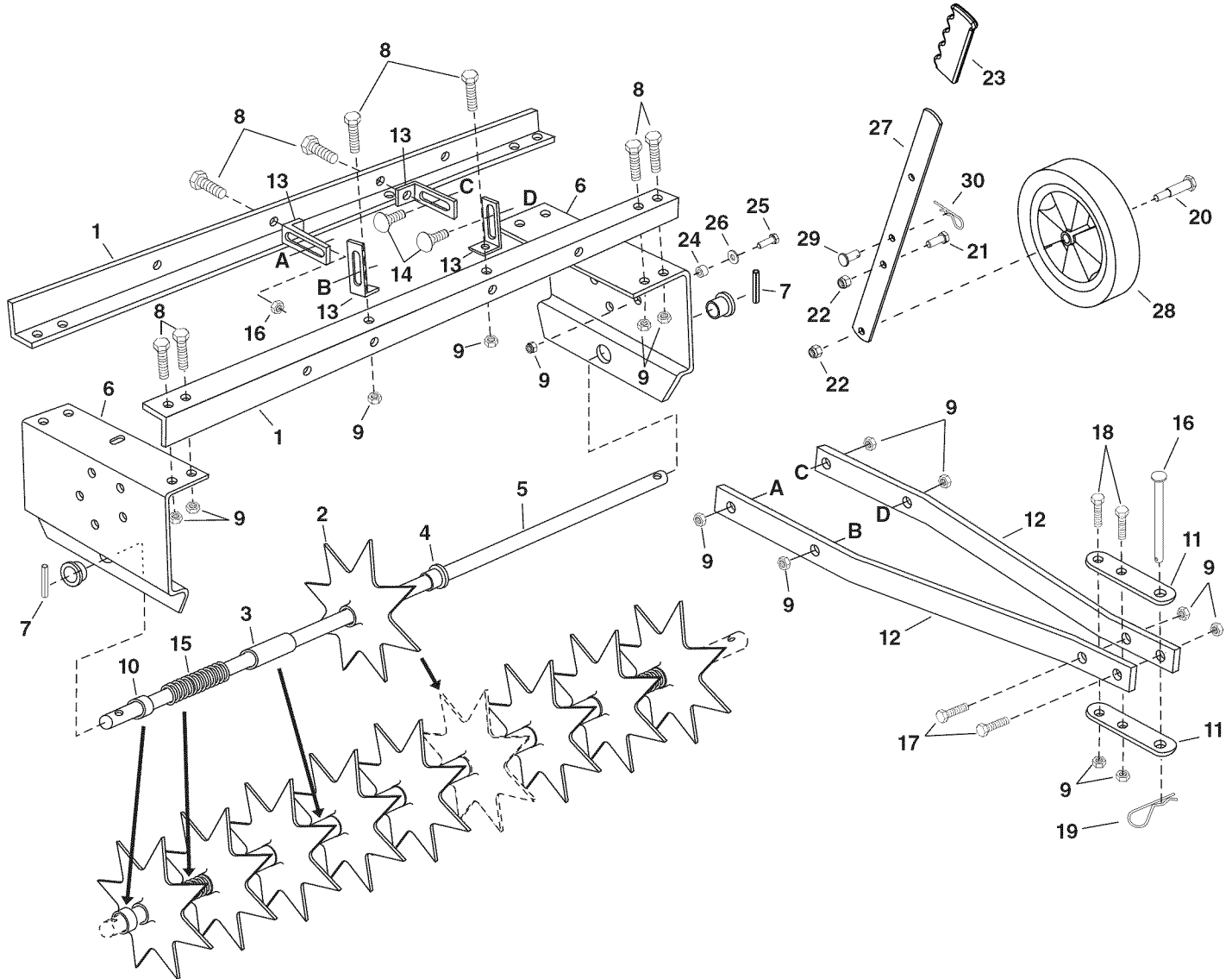
MAINTENANCE SCHEDULE Fill in dates as you complete regular service.					Service Dates														
	Before each use	After each use	Every season	Before storage															
Check for loose fasteners	X																		
Check for worn or damaged parts	X			X															
Cleaning		X		X															
Lubricate Spike Disk Hubs			X																

- Spiker points can be sharpened with a small grinder periodically to maintain good penetration. Spike disks should be removed to sharpen points.
- Before each use check nuts and bolts for tightness.
- Clean after each use. If rust appears on shield or spikes, sand lightly and coat with enamel paint.
- Lubricate the spike disk hubs with a small amount of light oil or grease at the beginning of each season.
- Always store in dry area when not in use. Coat bare metal with light oil or paint.

PARTS

36" SPIKE AERATOR MODEL 486.24309

To purchase repair parts, call the following toll-free number: 1-888-331-4569



REF.	PART NO.	QTY.	DESCRIPTION	REF.	PART NO.	QTY.	DESCRIPTION
1	24012	2	Angle Frame	17	43840	2	Bolt, Hex 5/16-18 x 1-1/4"
2	24332	9	Disc, Spike	18	44180	2	Bolt, Hex 5/16-18 x 2"
3	45151	6	Spacer Tube, Long	19	43343	1	Hair Cotter Pin
4	741-0249	11	Bearing, Flanged	20	43029	2	Shoulder Bolt, 3/8-16 x 2-5/16"
5	26143	1	Axle	21	43001	2	Bolt, Hex 3/8-16 x 1"
6	23903	2	End Plate	22	HA21362	4	Nylock Nut, 3/8"
7	44665	2	Pin, Spring	23	43943	2	Grip
8	43182	12	Bolt, Hex 5/16-18 x 3/4"	24	23727	2	Spacer, 0.31 x 0.56 x 0.36"
9	47810	26	Nut, Nylock 5/16-18	25	43063	2	Bolt, Hex 5/16-18 x 1"
10	48130	2	Spacer Tube, Short	26	43088	2	Washer
11	23981	2	Bracket, Hitch	27	27876	2	Transport Handle
12	23914	2	Arm, Hitch Mount	28	43021	2	Wheel
13	23442	4	Bracket, Hitch Arm Mount	29	44044	2	Clevis Pin, 3/8" x 3/4"
14	44326	4	Bolt, Carriage 5/16-18 x 1"	30	47134	2	Hair Cotter Pin
15	47777	2	Spring		41350	1	Owner's Manual
16	47623	1	Hitch Pin				

NOTES

NOTES

NOTES

CRAFTSMAN®

Product questions or problems?

1-888-331-4569

Customer Care Hot Line

Get answers to questions, troubleshoot problems,
order parts, or schedule repair service.

Para respuestas a preguntas o problemas, y ordenar
piezas o pedir servicio para la reparación de su equipo.

To help us help you, register your product at www.craftsman.com/registration

Para poderte ayudar mejor, registra tu producto en www.craftsman.com/registration

Join the Craftsman Club today!

CRAFTSMAN CLUB®

www.craftsman.com/signup

Receive exclusive member benefits including special pricing and offers,
project sharing, expert advice, and **SHOP YOUR WAY REWARDS!**

Como miembro exclusivo, recibe diversos beneficios como ofertas, precios especiales, proyectos nuevos, consejos de expertos y nuestro programa de puntos **SHOP YOUR WAY REWARDS!**