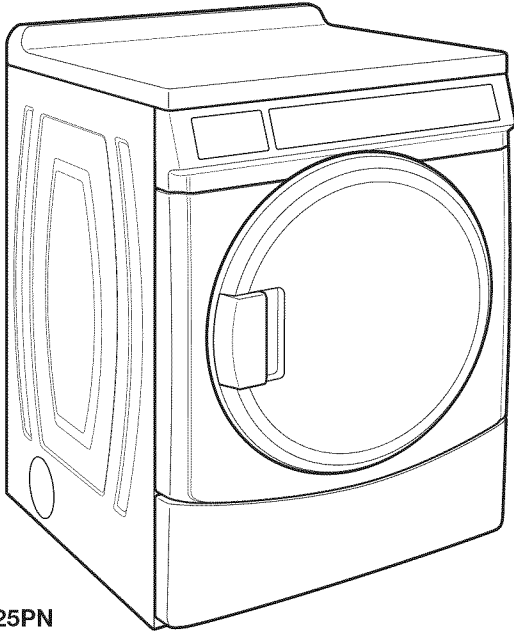


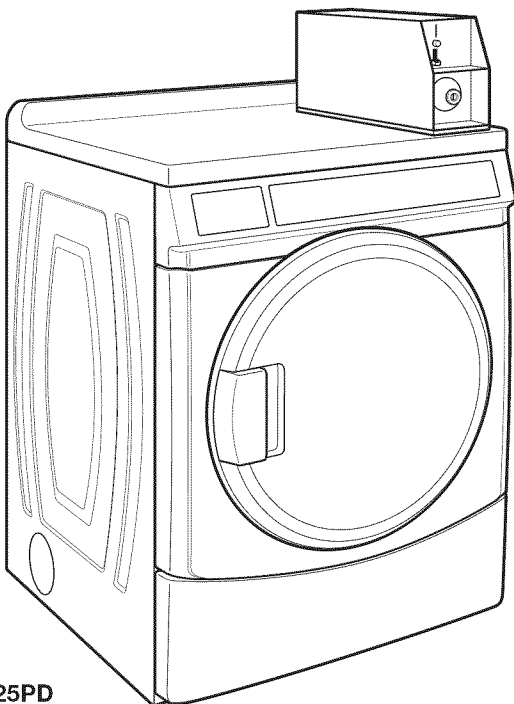


# INSTALLATION INSTRUCTIONS

COMMERCIAL HE DRYER  
ELECTRIC



MDE25PN



MDE25PD

## TABLE OF CONTENTS

	Page
Dryer Safety .....	3
Dryer Disposal .....	5
Tools & Parts .....	6
Dimensions/Clearances .....	7
Installation Requirements .....	8
Venting Requirements .....	10
Installing Leveling Legs, Coin Slide, and Coin Box .....	13
Leveling .....	14
Complete Installation .....	15
Reversing Door Swing (optional) .....	16
Maintenance Instructions .....	18
If You Need Assistance .....	18
Electronic Control Setup Instructions .....	19
Warranty .....	24

## Your safety and the safety of others are very important.

We have provided many important safety messages in this manual and on your appliance. Always read and obey all safety messages.



This is the safety alert symbol.

This symbol alerts you to potential hazards that can kill or hurt you and others.

All safety messages will follow the safety alert symbol and either the word "DANGER" or "WARNING."

These words mean:

**⚠ DANGER**

You can be killed or seriously injured if you don't immediately follow instructions.

**⚠ WARNING**

You can be killed or seriously injured if you don't follow instructions.

All safety messages will tell you what the potential hazard is, tell you how to reduce the chance of injury, and tell you what can happen if the instructions are not followed.

### FOR YOUR SAFETY

1. DO NOT USE OR STORE PETROL OR OTHER FLAMMABLE MATERIALS IN THIS APPLIANCE OR NEAR THIS APPLIANCE.
2. DO NOT SPRAY AEROSOLS IN THE VICINITY OF THIS APPLIANCE WHILE IT IS IN OPERATION.
3. DO NOT MODIFY THIS APPLIANCE.



## **WARNING** - "Risk of Fire"

- Clothes dryer installation must be performed by a qualified installer.
- Install the clothes dryer according to the manufacturer's instructions and local codes.
- Do not install a clothes dryer with flexible plastic venting materials or flexible metal (foil type) duct. If flexible metal duct is installed, it must be of a specific type identified by the appliance manufacturer as suitable for use with clothes dryers. Flexible venting materials are known to collapse, be easily crushed, and trap lint. These conditions will obstruct clothes dryer airflow and increase the risk of fire.
- To reduce the risk of severe injury or death, follow all installation instructions.
- Save these instructions.

# DRYER SAFETY

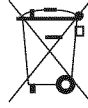
## IMPORTANT SAFETY INSTRUCTIONS

**WARNING:** To reduce the risk of fire, electric shock, or injury to persons when using the dryer, follow basic precautions, including the following:

- Read all instructions before using the dryer.
- This dryer is intended only for drying clothes and textiles that have been washed in water. Do not use for any other purpose.
- Do not place items exposed to cooking oils in your dryer. Items contaminated with cooking oils may contribute to a chemical reaction that could cause a load to catch fire.
- If it is unavoidable that fabrics that contain vegetable or cooking oil or that have been contaminated by hair care products be placed in a tumble dryer, they should first be washed in hot water with extra detergent – this will reduce, but not eliminate the hazard.
- Do not dry articles that have been previously cleaned in, washed in, soaked in, or spotted with petrol, dry-cleaning solvents, other flammable, or explosive substances as they give off vapors that could ignite or explode.
- Items that have been soiled with substances such as acetone, alcohol, petrol, kerosene, spot removers, turpentine, waxes, and wax removers should be washed in hot water with extra detergent before being dried in the dryer.
- Do not dry unwashed items in the dryer.
- Do not use this dryer if industrial chemicals have been used for cleaning. The possible presence of residual quantities of aggressive or decomposed chemicals in the load may produce damage to the dryer and harmful fumes.
- Do not allow children to play on or in the dryer. Close supervision of children is necessary when the dryer is used near children.
- This dryer is not intended for use by persons (including children) with reduced physical, sensory, or mental capabilities, or lack of experience or knowledge, unless they have been given supervision or instruction concerning use of the dryer by a person responsible for their safety.
- Before the dryer is removed from service or discarded, remove the door to the dryer compartment.
- Do not reach into the dryer if the drum is moving.
- Opening the dryer door will stop the function of the dryer.
- When loading or re-loading the dryer, avoid touching hot metal parts of the drum (burn risk).
- If drum rotation is blocked due to trapped textiles, disconnect the dryer from the electrical supply before gently removing the blockage.
- If the dryer is not heating, or appears to be defective or damaged, do not use it. Contact the owner.
- Do not install or store the dryer where it will be exposed to the weather.
- Do not tamper with controls.
- Clean dryer lint screen before or after each load.
- Do not use this dryer without the lint screen in place.
- Do not repair or replace any part of the dryer or attempt any servicing unless specifically recommended in this Use and Care Guide or in published user-repair instructions that you understand and have the skills to carry out.
- Do not use fabric softeners or products to eliminate static unless recommended by the manufacturer of the fabric softener or product.
- Do not use heat to dry articles containing foam rubber or similarly textured rubber-like materials.
- The final part of a tumble dryer cycle occurs without heat (cool-down cycle) to ensure that the articles are left at a temperature that ensures that the items will not be damaged.
- **WARNING:** Never stop a tumble dryer before the end of the drying cycle unless all items are quickly removed and spread out so that the heat is dissipated. (Avoids risk of spontaneous combustion).
- In case of electrical supply failure, remove the load quickly and spread it out to avoid risk of spontaneous combustion.
- Keep area around the exhaust opening and adjacent surrounding areas free from the accumulation of lint, dust, and dirt.
- The fresh air ventilation openings into the room and into the dryer must not be blocked or sealed.
- Emergency stop control: After installation, access to mains plug or disconnection from mains supply via a double-pole switch must be ensured at all times in order to ensure immediate deactivation of the dryer in case of emergency.
- The interior of the dryer and dryer exhaust vent should be cleaned periodically by qualified service personnel.
- See “Electrical Requirements” section for earthing instructions.
- The dryer shall be disconnected from its power source during service and when replacing parts. If the removal of the plug is foreseen, it shall be clearly indicated that it be possible for the operator to confirm the removal of the plug from any point of access.  
  
If this is not possible due to the construction of the appliance or its installation, a disconnection with a locking system in the isolated position shall be provided.

**SAVE THESE INSTRUCTIONS**

## DRYER DISPOSAL



This appliance is marked according to the European directive 2012/19/EU on Waste Electrical and Electronic Equipment (WEEE).

By ensuring this product is disposed of correctly, you will help avoid potential negative consequences for the environment and human health, which could otherwise be caused by inappropriate waste handling of this product.

The symbol on the product, or on the documents accompanying the product, indicates that this appliance may not be treated as household waste. Instead it shall be handed over to the applicable collection point for the recycling of electrical and electronic equipment.

Disposal must be carried out in accordance with local environmental regulations for waste disposal.

For more detailed information about treatment, recovery and recycling of this product, please contact your local city office, your household waste disposal service or the shop where you purchased the product.

### MODEL NOMENCLATURE:

**MDE** – Maytag Dryer – Electric

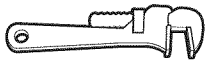
**PN** – Electronic Control – Non-Pay

**## (e.g. 25)** – Model Type Number

**PD** – Electronic Control – Coin Drop Enabled

# TOOLS & PARTS

## Tools Needed:



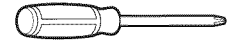
203 mm (8")  
or 254 mm (10")  
Pipe wrench



203 mm (8") or 254 mm (10")  
Adjustable wrench  
that opens to 25 mm (1")



Flat-blade screwdriver



Phillips screwdriver



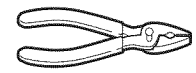
Torx T20<sup>†</sup> Security  
screwdriver or bit



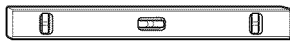
25 mm (1") Hex-head  
socket wrench



8 mm (5/16") Socket wrench



Pliers  
(that open to 39 mm [1<sup>9</sup>/<sub>16</sub>"])



Level



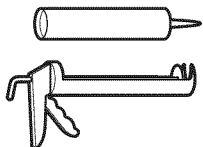
Utility knife



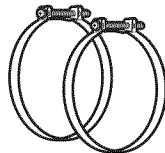
6 mm (1/4") Nut driver



Locking pliers



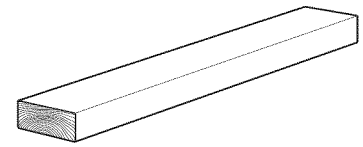
Caulk gun and caulk  
(for installing new exhaust vent)



Vent clamps



Pipe-joint compound  
suitable for gas type



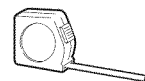
686 mm (27") Wood block



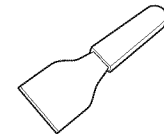
Flashlight (optional)



13 mm (1/2") and 14 mm  
(9/16") Open-end wrenches

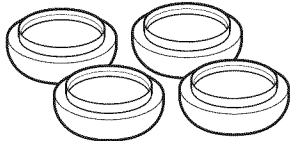


Ruler or measuring tape

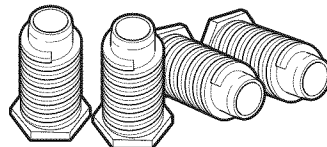


Putty knife

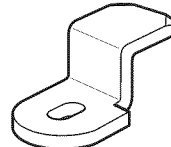
## Parts Supplied:



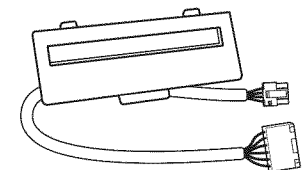
Foot boots (4)



Leveling legs (4)



PD models: Cam for service  
door lock



PN models: Card reader  
bezel, card reader wire  
harness, hardware

**NOTE:** The circuit diagram for this dryer is located inside the lower front panel, within the Tech Sheets.

### Technical Specifications:

220–240 V, 50 HZ. AC 4575 W

Total mass: 68 kg max.

### Clothes Capacity:

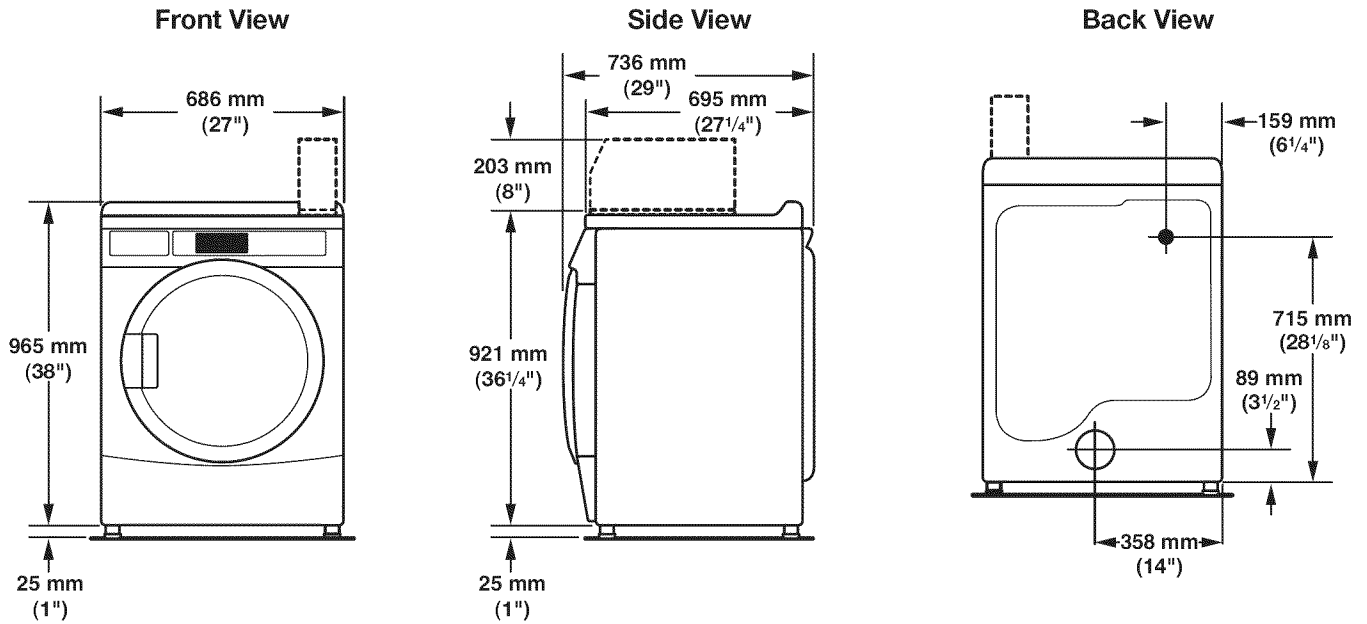
9 kg max.

**NOISE:** Sound Pressure Level, Lpa: 58 dBA (uncertainty, Kpa: +/-10 dBA).

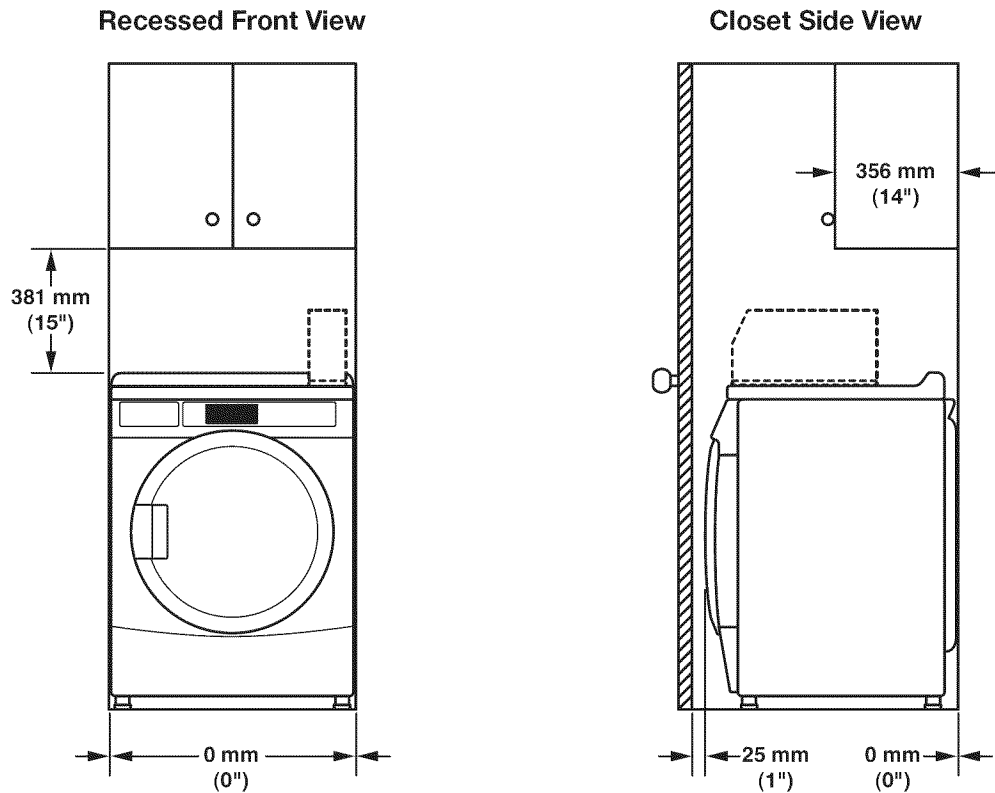
<sup>†</sup>@ TORX and T20 are registered trademarks of Acument Intellectual Properties, LLC.

# DIMENSIONS/CLEARANCES

## Dimensions




## Clearances



# INSTALLATION REQUIREMENTS

## Location

**⚠ WARNING**



**Explosion Hazard**

**Keep flammable materials and vapors, such as petrol, away from dryer.**

**Do not install in a garage.**

**Failure to do so can result in death, explosion, or fire.**

Your dryer can be installed in a basement, laundry room, or recessed area.

Companion appliance location requirements should also be considered.

**IMPORTANT:** Do not install or store the dryer where it will be exposed to the weather. Proper installation is your responsibility.

### You will need:

- A level floor with a maximum slope of 25 mm (1") under entire dryer. Installing the dryer on soft floor surfaces, such as carpets or surfaces with foam backing, is not recommended.
- A sturdy and solid floor to support the dryer with a total weight (load) of 204 kg (450 lbs).

### Installation clearances

- The location must be large enough to allow the dryer door to be fully opened.
- Additional spacing should be considered for ease of installation and servicing. The door opens more than 180°.
- Additional clearances might be required for wall, door, and floor moldings.
- Additional spacing of 25 mm (1") on all sides of the dryer is recommended to reduce noise transfer.
- Companion appliance spacing should also be considered.

### Recessed Area and Closet Installation Instructions

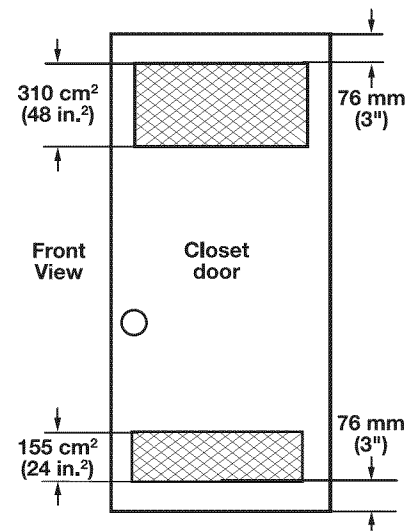
This dryer may be installed in a recessed area or closet. The dryer must not be installed behind a lockable door, a sliding door, or a door with a hinge on the opposite side to that of the dryer in such a way that a full opening of the dryer door is restricted. For recessed area and closet installations, minimum clearances can be found on the warning label on the rear of the dryer or in "Dimensions/Clearances."

The installation spacing is in millimeters and is the minimum allowable. Additional spacing should be considered for ease of installation, servicing, and compliance with local codes and ordinances.

If closet door is installed, the minimum unobstructed air opening in the top and bottom is required. Louvered doors with equivalent air openings are acceptable.

The dryer must be exhausted outdoors.

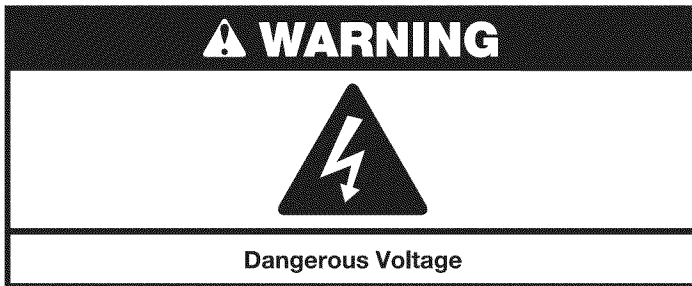
**NOTE:** For installation in Australia and New Zealand, refer to AS/NZS 5601.1 for ventilation requirements.





# INSTALLATION REQUIREMENTS

## Electrical Requirements

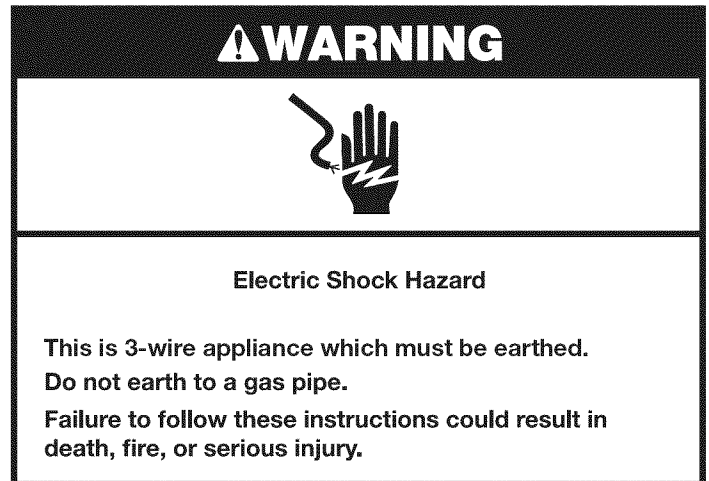


This dryer is supplied without an electric cord and plug. It must be connected by a competent electrician to a single-phase electricity supply at the voltage shown on the dataplate, using a suitable fixed wiring installation in accordance with local and national wiring regulations.

- A 3-wire circular cord of minimum conductor size 2.5 mm<sup>2</sup> cross-section area should be used.
- A 30A supply fuse should be used, and a switch having a contact separation in both poles that provides full disconnection under over-voltage category III conditions must be incorporated into the fixed wiring in accordance with local wiring regulations. The dryer should be positioned so that the disconnection switch is clearly visible and easily accessible to the user. This disconnection switch also provides the function of an emergency stop control for the user.
- A cord clamp bush is provided on the dryer, and should be tightened on completion of wiring. The electrical mains terminals are located behind the small rear access panel (terminal block cover), and connections should be made in accordance with the terminal markings. Remember to replace the terminal access panel (terminal block cover).

**NOTE:** In accordance with the European EMC Directive (2004/108/EC), the maximum electricity supply system impedance to which the electric dryer should be connected is declared to be 0.054 Ohm + j0.034 Ohm.

**NOTE:** Electrical safety standards: The manufacturer has chosen compliance with IEC/EN.60335 standards as the most appropriate for this product.



If codes permit and an additional earth bond wire is used, it is recommended that a qualified electrician determine that the earth bond path is adequate.

### AUSTRALIA ONLY

For Australia, each single electric dryer is fitted with a cord and plug, with conductors of 2.5 mm<sup>2</sup> cross sectional area, and should be plugged into a suitable electrical socket at the voltage shown on the dataplate. Do not use extension lead assemblies on commercial installations. If the supply cord is damaged, it must be replaced with a specially terminated cord by an authorized service agent or a similarly qualified person in order to avoid a hazard. Each electric dryer for other countries is supplied without an electric cord and plug.

### Recommended Earthing Method

It is your responsibility to contact a qualified electrical installer to ensure that the electrical installation is adequate and in conformance with all local codes and ordinances.

# VENTING REQUIREMENTS

## ⚠ WARNING



### Fire Hazard

Use a heavy metal vent.

Do not use a plastic vent.

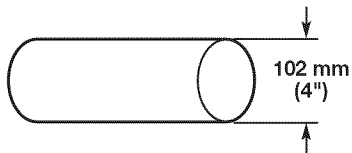
Do not use a metal foil vent.

Failure to follow these instructions can result in death or fire.

**WARNING:** To reduce the risk of fire, this dryer MUST BE EXHAUSTED OUTDOORS.

**IMPORTANT:** Observe all governing codes and ordinances.

- Following these venting requirements will minimise ducting air noise.
- Adequate ventilation has to be provided to avoid the backflow of gases into the room from appliances burning other fuels, including open fires (i.e. available airflow into the room should match airflow out from the room).
- Dryer exhaust must not be connected into any gas vent, chimney, wall, ceiling, attic, crawlspace, or a concealed space of a building. Only rigid or flexible metal vent shall be used for exhausting.
- Do not use an exhaust hood with a magnetic latch.



102 mm (4") heavy, metal exhaust vent

- Only a 102 mm (4") heavy, metal exhaust vent and clamps may be used.
- Do not use plastic or metal foil vent.

### Rigid metal vent:

- Recommended for best drying performance and to avoid crushing and kinking.

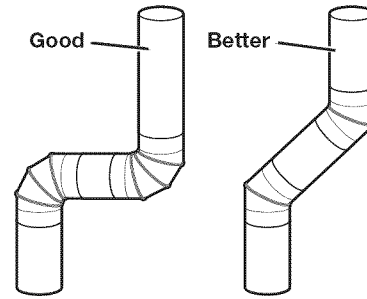
### Flexible metal vent: (Acceptable only if accessible to clean)

- Must be fully extended and supported in final dryer location.
- Remove excess to avoid sagging and kinking that may result in reduced airflow and poor performance.
- Do not install in enclosed walls, ceilings, or floors.
- The total length should not exceed 2.4 m (7¾ ft.).
- An exhaust hood should cap the vent to keep rodents and insects from entering the building.

**NOTE:** If using an existing vent system, clean lint from entire length of the system and make sure exhaust hood is not plugged with lint. Replace plastic or metal foil vents with rigid metal or flexible metal vents. Review "Vent System Chart" and if necessary, modify existing vent system to achieve best drying performance.

### Elbows:

- 45° elbows provide better airflow than 90° elbows.



- Plan installation to use the fewest number of elbows and turns.
- Allow as much room as possible when using elbows or making turns. Bend vent gradually to avoid kinking.
- Vent outlet is located at the center of the bottom dryer back.
- The vent can be routed up, down, left, right, behind the dryer, or straight out the back of the dryer.

### Clamps:

- Use clamps to seal all joints.
- Exhaust vent must not be connected or secured with screws or other fastening devices that extend into interior of duct and catch lint. Do not use duct tape.



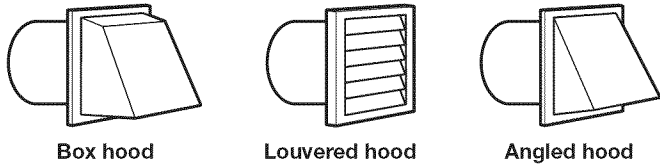
### Improper venting can cause moisture and lint to collect indoors, which may result in:

- Moisture damage to woodwork, furniture, paint, wallpaper, carpets, etc.
- Housecleaning problems and health problems.

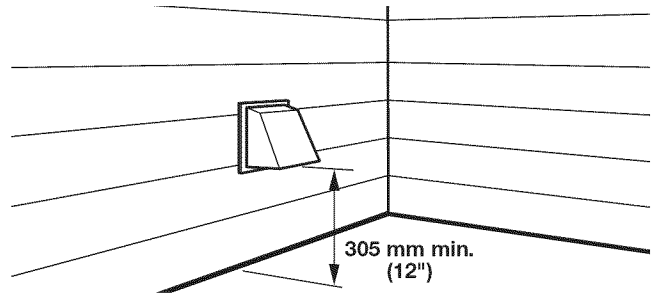
# VENTING REQUIREMENTS

## Vent Hoods

### 102 mm (4") Diameter Exhaust Hoods



Exhaust hood must be at least 305 mm (12") from the ground or any object that may be in the path of the exhaust (such as flowers, rocks, bushes, or snow).



## Vent System Length

### Maximum Vent Length/Vent Connection

Maximum length of vent system depends upon the type of vent used, number of elbows, and type of exhaust hood.

Vent System Chart (Rigid Metal Vent)

No. of 90° Turns	Box and Louvered Hood	Angled Hood
0	39.6 m (130 ft.)	39.3 m (129 ft.)
1	38.1 m (125 ft.)	36.3 m (119 ft.)
2	35.1 m (115 ft.)	33.2 m (109 ft.)
3	32.3 m (106 ft.)	30.5 m (100 ft.)
4	29.9 m (98 ft.)	28.0 m (92 ft.)

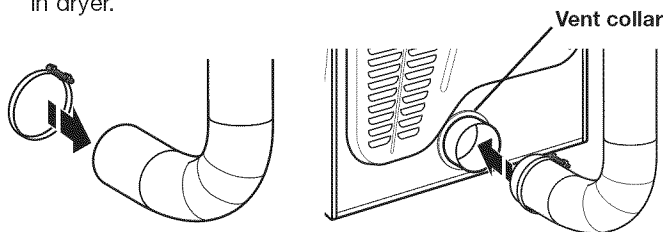
For vent systems not covered by the "Vent Specification Chart," see your parts distributor.

Provision must be made for enough air for combustion and ventilation. (Check governing codes and ordinances.) See "Recessed Area and Closet Installation Instructions" in the "Location" section.

A 102 mm (4") outlet hood is preferred. However, a 64 mm (2½") outlet exhaust hood may be used. A 64 mm (2½") outlet creates greater back pressure than other hood types. For permanent installation, a stationary vent system is required.

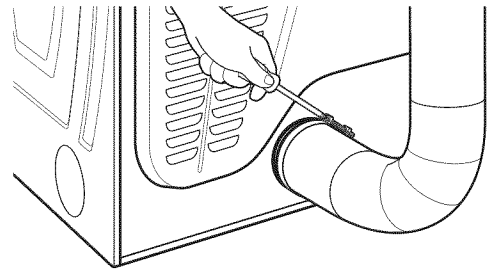
### Connect Vent

1. If connecting to existing vent, make sure the vent is clean.
2. Using a 102 mm (4") clamp, connect vent to exhaust outlet in dryer.

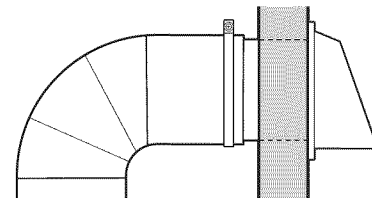


**NOTE:** Do not remove vent collar.

3. Tighten hose clamp with Phillips screwdriver.



4. Make sure the vent is secured to exhaust hood with a 102 mm (4") clamp.

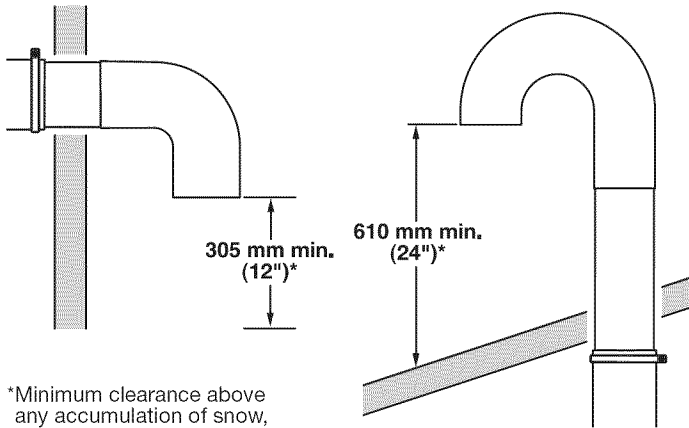


5. Move dryer into final position. Do not crush or kink vent. Make sure dryer is level.

# VENTING REQUIREMENTS

## If an Exhaust Hood Cannot be Used

The outside end of main vent should have a sweep elbow directed downward.



\*Minimum clearance above any accumulation of snow, ice, or debris such as leaves

If main vent travels vertically through the roof, rather than through wall, install a 180° sweep elbow on end of vent at least 610 mm (2 ft.) above surface of roof.

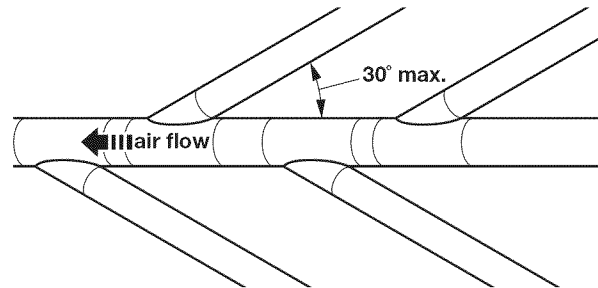
The opening in wall or roof shall have a diameter 13 mm (1/2") larger than vent diameter. Vent should be centered in opening. Do not install screening over end of vent for best performance.

## Multiple Dryer Venting

A main vent can be used for venting a group of dryers. The main vent should be sized to remove 5663 l/min. (200 CFM) of air per dryer. Large-capacity lint screens of proper design may be used in main vent if checked and cleaned frequently. The room where the dryers are located should have make-up air equal to or greater than CFM of all the dryers in the room.

Back-draft Damper Kit, Part No. 3391910, is available from your distributor and should be installed in the vent of each dryer to keep exhausted air from returning into dryers and to keep exhaust in balance within main vent. Unobstructed return air openings are required.

Each vent should enter the main vent at an angle pointing in the direction of the airflow. Vents entering from the opposite side should be staggered to reduce the exhausted air from interfering with the other vents.



The maximum angle of each vent entering the main vent should be no more than 30°.

Keep air openings free of dry cleaning fluid fumes. Fumes create acids which, when drawn through the dryer heating units, can damage dryers and items being dried.

A clean-out cover should be located on the main vent for periodic cleaning of the vent system.

# INSTALLING LEVELING LEGS, COIN SLIDE, AND COIN BOX

The coin slide mechanism, control panel lock and key, and coin box lock and key are not included and are available from usual industry sources. A special coin slide extension must be used on this model and can be purchased from the coin slide distributor.

## **⚠ WARNING**

### **Excessive Weight Hazard**

**Use two or more people to move and install dryer.**

**Failure to do so can result in back or other injury.**

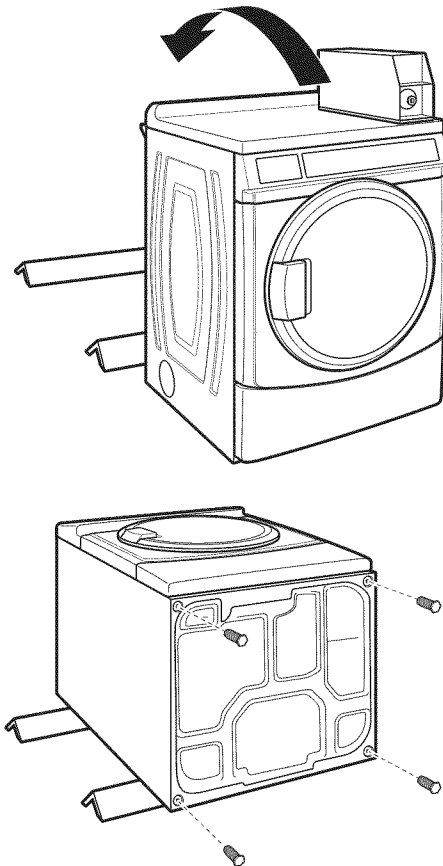
### 1. Prepare dryer for leveling legs

**NOTE:** Slide dryer onto cardboard or hardboard before moving to avoid damaging floor covering.

Using two or more people, move dryer to desired installation location.

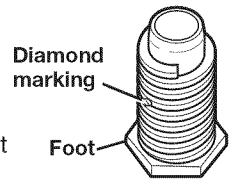
Take tape off front corners of dryer. Open dryer and remove the literature and parts packages. Wipe drum interior with damp cloth to remove any dust.

Take two cardboard corners from the dryer carton and place them on the floor in back of the dryer. Firmly grasp body of the dryer and gently lay it on its back on the cardboard corners.



### 2. Screw in leveling legs

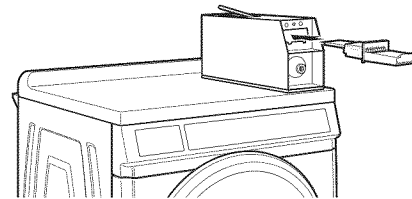
Examine leveling legs and find diamond marking. Screw legs into leg holes by hand. Use an adjustable wrench or 25 mm (1") hex-head socket wrench to finish turning legs until diamond marking is no longer visible. Then fit a covered foot boot over each leg foot.



To protect the floor, use a large piece of cardboard from the dryer carton. Stand dryer up on the cardboard. Slide the dryer until it is close to its final location. Leave enough room for electrical connection and to connect the exhaust vent.

### 3. Install coin slide and coin box

Remove the service door of the meter case by lifting it up at the back. Install the money-accepting device. (Refer to manufacturer's instructions for proper installation.)



Replace the meter case service door. Put the coin vault with lock and key in the meter case opening.

Remove cardboard or hardboard from under dryer. Adjust the legs of the dryer up or down until the dryer is level.

# LEVELING

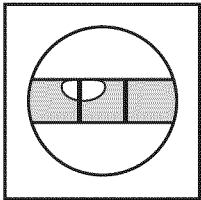
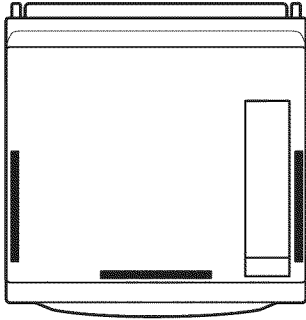
Leveling your dryer properly reduces excess noise and vibration.

## **⚠ WARNING**

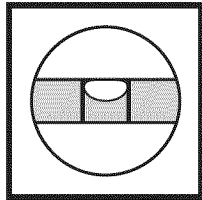
### **Excessive Weight Hazard**

**Use two or more people to move and install dryer.  
Failure to do so can result in back or other injury.**

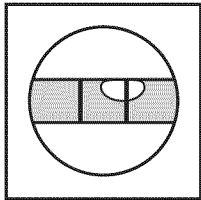
1. Remove cardboard from beneath dryer. Place a level on top edges of dryer, checking each side and front. If not level, tip dryer and adjust feet up or down as shown in Steps 3 and 4, repeating as necessary.



Not Level

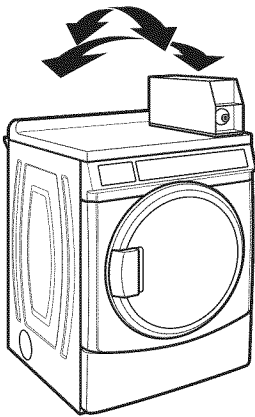


LEVEL



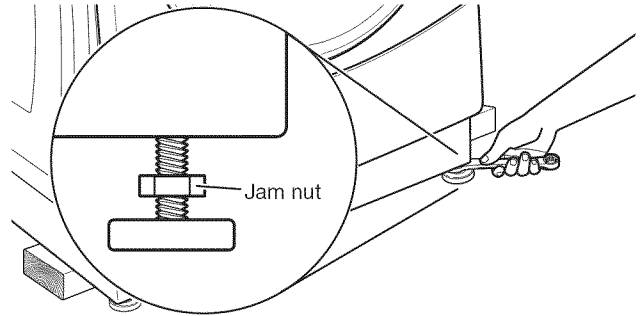
Not Level

2. Grip dryer from top and rock back and forth, making sure all four feet are firmly on floor. Repeat, rocking dryer from side to side. If dryer rocks, go to Step 3 and adjust leveling feet. If all four feet are in firm contact with floor, go to Step 4.



3. If dryer is not level, use a 14 mm or 9/16" open-end or adjustable wrench to turn jam nuts clockwise (as viewed from above) on feet until they are about 13 mm (1/2") from the dryer cabinet. Then turn the leveling foot counterclockwise to lower the dryer or clockwise to raise the dryer. Recheck levelness of dryer and that all four feet are firmly in contact with the floor. Repeat as needed.

**HELPFUL TIP:** You may want to prop up front of dryer about 102 mm (4") with a wood block or similar object that will support weight of dryer.



4. When dryer is level and all four feet are firmly in contact with the floor, use a 14 mm or 9/16" open-end or adjustable wrench to turn jam nuts counterclockwise (as viewed from above) on leveling feet tightly against dryer cabinet.

**HELPFUL TIP:** You may want to prop dryer with wooden block.


## COMPLETE INSTALLATION

1. Check the electrical requirements. Be sure that you have the correct electrical supply and the recommended earthing method. See “Electrical Requirements.”
2. Check that all parts are now installed. If there is an extra part, go back through the steps.
3. Check that you have all of your tools.
4. Dispose of/recycle all packaging materials.

6. Check dryer operation. Using a full heat cycle, let the dryer run for at least five minutes. Dryer will stop when time is used up.

**NOTE:** Dryer door must be closed for dryer to operate. When door is open, dryer stops, but timer continues to run. To restart dryer, close door and press cycle button.

**⚠ WARNING**



**Electric Shock Hazard**

**This dryer must be earthed.**

**Securely tighten all electrical connections.**

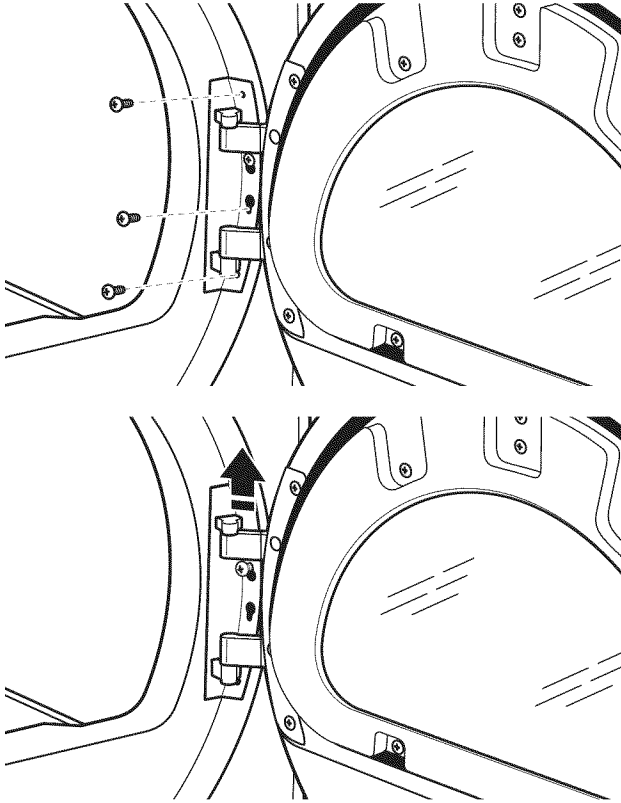
**Failure to do so can result in death, fire, or electric shock.**

5. Switch on power supply.

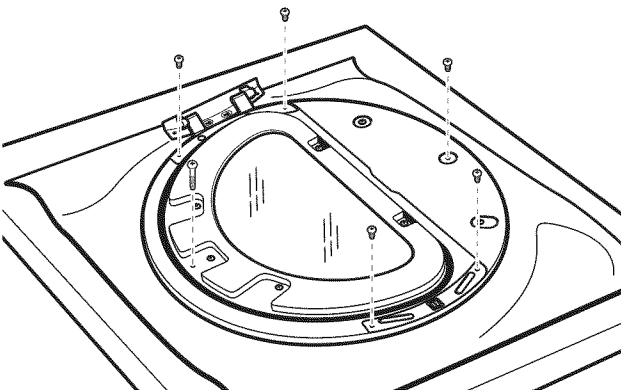
# REVERSING DOOR SWING (OPTIONAL)

## Remove the Door Assembly

1. Place a towel or soft cloth on top of dryer or work space to avoid scratching of the surface.
2. Remove 3 of the 4 screws that hold the door hinge on the front panel of the dryer. Partially loosen the remaining screw with keyhole opening and lift the door off the screw.

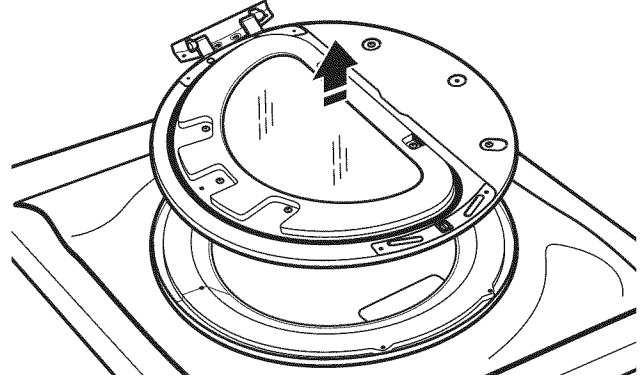


3. Lay the door assembly on a previously prepared flat surface with the inside (inner door assembly) facing up, and remove 6 Phillips-head screws to release outer door assembly from inner door assembly.

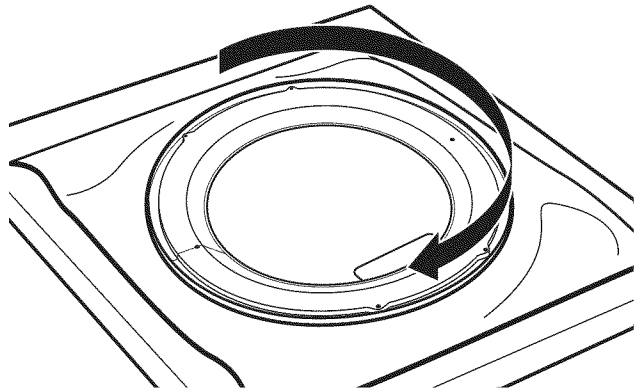


**NOTE:** It is important that you remove only 6 indicated screws.

4. Lift the inner door assembly off outer door assembly.

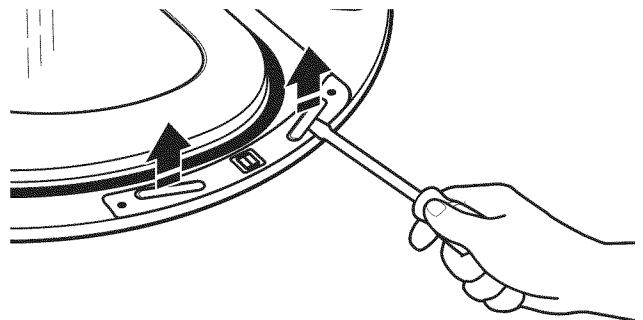


5. Rotate outer door 180°.

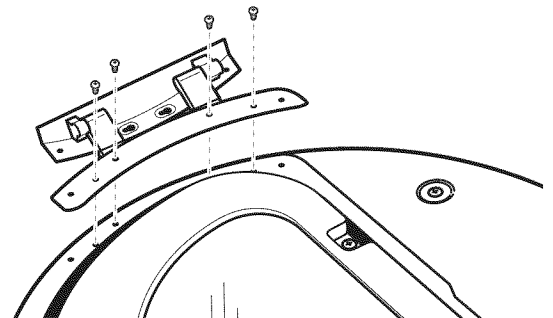


## Reverse Hinge

1. Use a small flat-blade screwdriver to remove 2 plug strips from the inner door. Slide the head of the screwdriver under the plugs, without scratching inner door surface, and lift up strip.



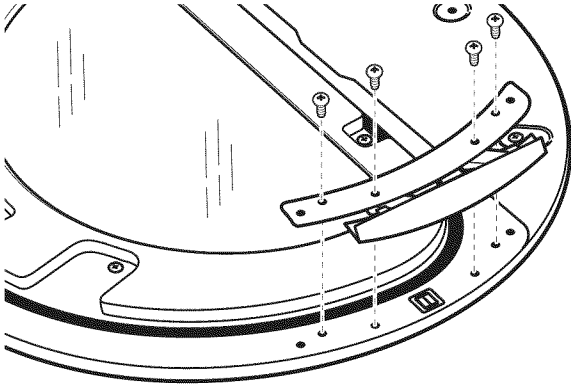
2. Remove the 4 screws that attach to inner door hinge.



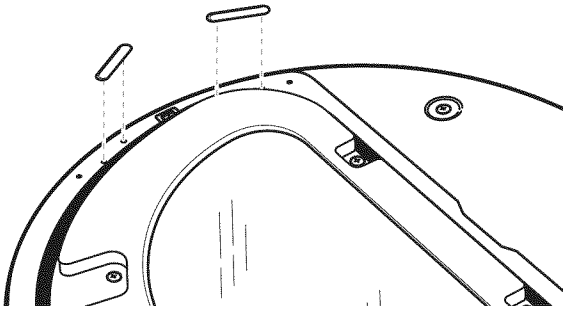


## REVERSING DOOR SWING (OPTIONAL)

3. Move hinge to other side. Reinstall 4 screws.



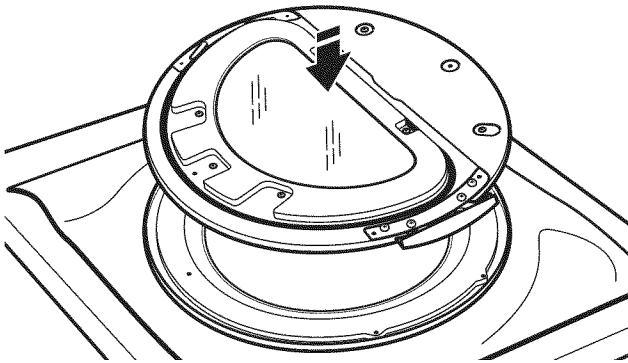
4. Reinstall plug strips on opposite side of the inner door.



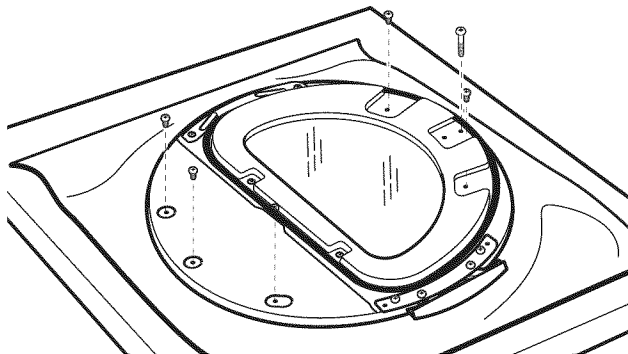
5. Check for fingerprints on the glass. Clean if necessary.

### Replace the Door Assembly

1. Place the inner door assembly inside the outer door assembly.

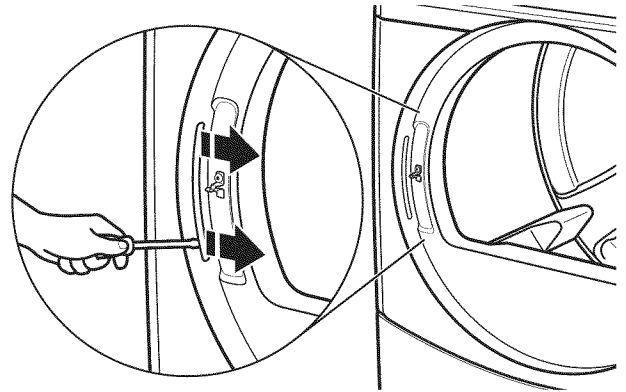


2. Reassemble the inner and outer door assemblies with the 6 screws.

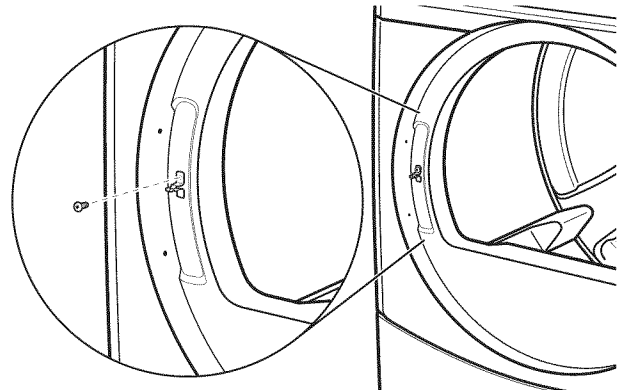


### Reverse the Strike

1. Use a small flat-blade screwdriver to remove plug strip from the dryer door opening. Slide the head of the screwdriver under the plugs, without scratching dryer surface, and lift up strip.



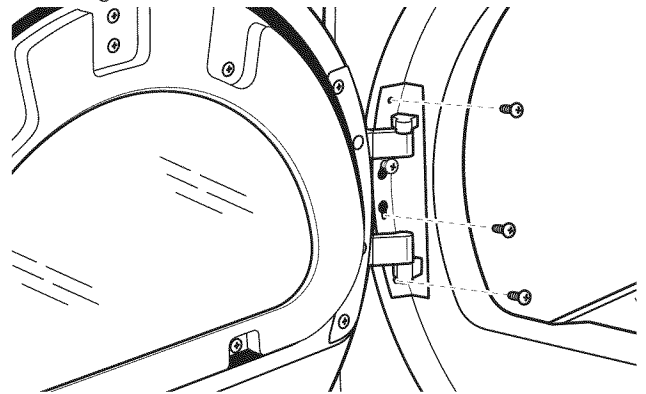
2. Remove the strike using a Phillips screwdriver.



3. Insert strike on the opposite side.

### Reinstall the Door

1. Partially insert the third screw from the top; then slide the hinge onto this screw while hooking the hinge into the front panel hole. Reattach door to dryer front panel with the remaining three screws.



2. Check for fingerprints on the glass. Clean if necessary.

3. Close door and check that it latches securely.

# MAINTENANCE INSTRUCTIONS

---

- Clean lint screen before and after each cycle.
- Removing accumulated lint:

From inside the dryer cabinet:

Lint should be removed every 2 years or more often, depending on dryer usage. Cleaning should be done by a qualified person.

From the exhaust vent:

Lint should be removed every 2 years, or more often, depending on dryer usage.

## **If dryer does not operate, check the following:**

- Electrical supply is connected.
- Circuit breaker is not tripped or house fuse is not blown.
- Door is closed. Listen closely to hear the door switch activate.
- Cycle selection button has been pushed firmly and display shows cycle time.

# IF YOU NEED ASSISTANCE

---

If you need help, contact the dealer from whom you purchased the appliance, or a Maytag designated service company. When calling, please know the purchase date and the complete model and serial number of your appliance. This information will help us to better respond to your request.

# ELECTRONIC CONTROL SETUP INSTRUCTIONS

## IMPORTANT

### Electrostatic Discharge (ESD) Sensitive Electronics

ESD problems are present everywhere. ESD may damage or weaken the electronic control assembly. The new control assembly may appear to work well after repair is finished, but failure may occur at a later date due to ESD stress.

- Use an anti-static wrist strap. Connect wrist strap to green earth connection point or unpainted metal in the appliance.

-OR-

Touch your finger repeatedly to a green earth connection point or unpainted metal in the appliance.

- Before removing the part from its package, touch the anti-static bag to a green ground connection point or unpainted metal in the appliance.
- Avoid touching electronic parts or terminal contacts; handle electronic control assembly by edges only.
- When repackaging failed electronic control assembly in anti-static bag, observe above instructions.

## General User Information

**“OUT OF ORDER” SHOWING IN DISPLAY** – This condition indicates the dryer is inoperative. Diagnostic or failure code will follow the scrolling message.

**“0 MINUTES” SHOWING IN DISPLAY** – This indicates the cycle is complete and the dryer cannot be operated. Coins dropped or debit inputs during this condition will be stored in escrow but cannot be used until normal operation is restored by opening and closing the door. If a door switch has failed, it must be replaced before normal operation can be restored.

**COLD START (Initial first use)** – Dryer is programmed at the factory as follows:

45 minutes dry time for PN models; 5 minutes per coin for PD models.

\$1.50 dry price (fixed cycle with top off – PD Models)

\$0.00 dry price (fixed cycle – PN Models)

**WARM START (after power failure)** – A few seconds after power is restored, if a cycle was in progress at the time of the power failure, “RESELECT CYCLE” will flash in the display. This indicates a fabric setting button needs to be pressed to restart dryer.

**PRICING** – After the door is opened and then closed following the completion of a cycle, the display indicates the cycle price (unless set for free operation). As coins are dropped or debit inputs arrive, the display will change to lead the user through the initiation of a cycle.

**There are four (4) types of dryer pricing:**

### Fixed “Vend” Pricing

A dryer set up for “Fixed Cycle” operation can only accept additional time accumulated by increments equal to the length of a complete dry cycle. A maximum of 99 minutes may be purchased; no additional credit is given with 99 minutes in the display.

### Accumulator Pricing

If the price is set to one coin 1, then accumulator pricing is in effect. Cycle time can be purchased one coin at a time (PD models) up to the maximum time of 99 minutes.

### Fixed Cycle With Top Off Pricing

A dryer set to offer “Top Off” capability will allow time to be added to an existing dry cycle in increments equal to the number of minutes of dry time per coin (coin 1), up to 99 minutes, regardless of the cost required to start the dryer. No credit is given for coins or debit inputs entered when the control is displaying 99 minutes.

**PN Models set up as PR:** In Enhanced Debit Mode, the top off price can be set independently (see VALUE OF COIN 2), and the top off time is calculated according to the following equation:

$$\frac{\text{top off price}}{\text{full cycle price}} = \frac{\text{top off time}}{\text{full cycle length}}$$

Hundredth increment offset is not applied to top off purchases.

**PN Models** – The factory has preset the cycle price to zero. When this happens, “SELECT CYCLE” will appear rather than a cycle price. Any cycle started as a free cycle will automatically terminate when the door is opened.

**DEBIT CARD READY** – This dryer has a control that is debit card ready, but the dryer is not.

## Display

After the dryer has been installed and plugged in, the display will show “0 minutes.”

### PD Models



Once the dryer has been plugged in and the dryer door opened and closed, the display will show the vent price. PN models are factory preset for free cycles; the display will flash “SELECT CYCLE.”

### PN Models



## Control Set-up Procedures

**IMPORTANT:** Read all instructions before operating.

The fabric setting buttons along with the digital display are used to set up the dryer controls. The display can contain 4 numbers and/or letters and a decimal point. These are used to indicate the set-up codes and related code values available for use in programming the dryer.

### How to Use the Buttons to Program the Controls

1. The WHITES AND COLORS button is used to adjust the values associated with set-up codes. Pressing the button will change the value by increments. Rapid adjustment is possible by holding down the button.
2. The PERM. PRESS button will advance the display through the set-up codes. Pressing the button will advance the display to the next available set-up code. Holding down the PERM. PRESS button will automatically advance through the set-up codes at a rate faster than 1 per second.
3. The DELICATES button is used to select or deselect options.

# ELECTRONIC CONTROL SETUP INSTRUCTIONS

## Start Operating Set-up

- PD Models: Insert service door key, turn, and lift to remove service door.
- PN Models: Remove the AA1 jumper from the control board (see procedure below) or use the Service Access Code below. Once the debit card reader is installed (according to the reader manufacturer's instructions), the set-up mode can be entered by inserting a manual set-up card (supplied by the reader manufacturer) into the card slot. If manual set-up card is not available, manual set-up mode cannot be entered. However, diagnostic mode can be entered by removing connector AA1 on the circuit board.

**IMPORTANT:** The console must not be opened unless power is first removed from the dryer. To access connector AA1:

- Unplug dryer or disconnect power.
- Open console, disconnect plug on AA1, close console.
- Plug in dryer or reconnect power.

- PN Models Equipped with Programming Switch: Insert access panel key and turn counterclockwise.
- PN Models with Gen. 2 Debit Card Reader: Once a Gen. 2 debit card reader is installed (according to the reader manufacturer's instructions), the set-up mode can only be entered by inserting a manual set-up card (supplied by the reader manufacturer) into the card slot. If manual set-up card is not available, only diagnostic mode can be entered.

■ Alternate method of entering Set-up Mode by entering **Service Access Code:** This code can be entered to access set-up mode without removing the console on dryers just removed from the carton, or not yet programmed. The Service Access Code only functions on dryers set up for 0 vend price without any Special Pricing setup, and the Coin/Debit Option must be set to "J\_d". If the dryer is not in failure mode, the door must be opened to proceed. Using only the three bottom buttons (numbered 1, 2, and 3 from left to right):

1. Press 2 for longer than 2 seconds but less than 10 seconds.
2. Press 1 and 3 simultaneously for 2 seconds. Display shows S 3.
3. Press 1 and 2 simultaneously. Display shows S 4.
4. Press 2 and 3 simultaneously. Display shows S 5.
5. Press 2.
6. Wait at least 2 seconds, but not more than 15 seconds; then press in succession: 3, 2, 1, 3.

The dryer is now in the set-up mode.

**NOTE:** This dryer is preset at the factory and does not require any programming. However, if you want to change the settings, follow the "Set-Up Codes" guide below. PD models require a payment system or OPL kit to be installed prior to operation.

- PD units are pre-set at the factory for fixed cycle price with top off.
- PN units are pre-set for fixed cycle operation so they can be run without payment.

## Set-Up Codes

- The PERM. PRESS button will advance you from code to code.
- The WHITE AND COLORS button will change the code value.
- The DELICATES button will select or deselect options.

**PN MODELS:** The set-up codes are the same as for the PD models except where noted.

The set-up code is indicated by the one or two left-hand characters. The set-up code value is indicated by the two or three right-hand characters.

**NOTE:** The first line of each code indicates the factory default.

Code	Explanation
<b>REGULAR CYCLE PRICE</b>	
6 06	<b>REGULAR CYCLE PRICE</b>
6 06	Represents the number of quarters (coin 1) needed to start the dryer; may adjust from 0–39. (See b.xx set up for VALUE OF COIN 1.) Advance from 0–39 by pressing the WHITES AND COLORS button. Factory default of 6 x coin 1.
6 00	<b>PN MODELS ONLY:</b> Factory default of 6 00, or 0 coins. <ul style="list-style-type: none"> <li>• Press the PERM. PRESS button once to advance to next code.</li> </ul>
<b>REGULAR DRY TIME</b>	
7 05	<b>PD MODELS:</b> Represents the number of minutes per coin (coin 1). Factory default of 5 minutes per coin. Example: 6 coins x 5 minutes = 30 minutes. By pressing the WHITES AND COLORS button, value adjusts from 1–99 minutes.
7 45	<b>PN MODELS:</b> Represents the cycle length for free cycles. Example: "7 45" = 45 minutes. <ul style="list-style-type: none"> <li>• Press the PERM. PRESS button once to advance to next code.</li> </ul>
<b>TYPE OF DRYER PRICING</b>	
8 00	Fixed Cycle with Top Off. For detailed description, see "General User Information."
8 FC	<b>PN MODELS ONLY:</b> Factory default of FC. Fixed Cycle. For detailed description, see "General User Information." Use the DELICATES button to change this selection. <ul style="list-style-type: none"> <li>• Press the PERM. PRESS button once to advance to next code.</li> </ul>
<b>CYCLE COUNTER OPTION</b>	
9 00	This option is either NOT SELECTED "OFF" or SELECTED "ON."
9 00	Not Selected "OFF."
9 0C	Selected "ON" and not able to be deselected. <ul style="list-style-type: none"> <li>• Press the DELICATES button 3 consecutive times to select "ON." Once selected "ON," it cannot be deselected.</li> <li>• Press the PERM. PRESS button once to advance to next code.</li> </ul>

**If cycle counter (9 0C) is selected, the following is true:**

1 00	Cycles in HUNDREDS	1 02 = 200
2 00	Cycles in ONES	2 25 = 25

TOTAL CYCLES = 225

This is "VIEW ONLY" and cannot be cleared.

- Press the PERM. PRESS button once to advance to next code.

# ELECTRONIC CONTROL SETUP INSTRUCTIONS

Code	Explanation
1. 00	<b>MONEY COUNTER OPTION</b> This option is either NOT SELECTED "OFF" or SELECTED "ON."
1. 00	Not Selected "OFF."
1. 0C	Selected "ON." <ul style="list-style-type: none"> <li>Press the DELICATES button 3 consecutive times to select "ON" and 3 consecutive times to deselect (Not Selected "OFF"). Counter resets by going from "OFF" to "ON."</li> </ul>
1. C0	Selected "ON" and not able to be deselected. <ul style="list-style-type: none"> <li>To select "ON" and not able to be deselected, first select "ON"; then within 2 seconds, press the DELICATES button twice, the WHITES AND COLORS button once, and exit set-up mode.</li> <li>Press the PERM. PRESS button once to advance to next code.</li> </ul>

Code	Explanation
2. 00	<b>SPECIAL PRICING OPTIONS</b> This option is either NOT SELECTED "OFF" or SELECTED "ON."
2. 00	Not Selected "OFF."
2. SP	Selected "ON." <ul style="list-style-type: none"> <li>Press the DELICATES button once to change this selection.</li> </ul>

**If SPECIAL PRICING OPTION is selected, there is access to codes "3.XX" through "9.XX."**

- Press the PERM. PRESS button once to advance to next code.

**If money counter (1.0C or 1.C0) is selected, the following is true:**

3 00	Currency amount in HUNDREDS	3 <u>01</u> = 100.00
4 00	Currency amount in ONES	4 <u>68</u> = 68.00
5 00	Currency amount in HUNDREDTHS	5 <u>75</u> = 00.75
		TOTAL = 168.75

## OPTIONS 3.XX – 9.XX TO USE IF SPECIAL PRICING IS SELECTED

Code	Explanation
3. 06	<b>SPECIAL CYCLE PRICE</b>
3. 06	Represents the number of coins (coin 1) to start the dryer; may adjust from 0–39. (See b.xx set up for VALUE OF COIN 1.) <ul style="list-style-type: none"> <li>Advance from 0–39 by pressing the WHITES AND COLORS button. Factory default of 6 x coin 1.</li> </ul>
3. 00	<b>PN MODELS ONLY:</b> Factory default of 0 coins. <ul style="list-style-type: none"> <li>Press the PERM. PRESS button once to advance to next code.</li> </ul>
4. 05	<b>SPECIAL DRY TIME</b>
4. 05	<b>PD MODELS:</b> Represents the number of minutes per coin (coin 1). <ul style="list-style-type: none"> <li>Factory default of 5 minutes per coin. Example: 6 coins x 5 minutes = 30 minutes.</li> <li>By pressing the WHITES AND COLORS button, the value can be adjusted from 1–99 minutes.</li> </ul>
4. 45	<b>PN MODELS:</b> Represents the cycle length for free cycles. Example: "4 45" = 45 minutes. <ul style="list-style-type: none"> <li>Press the PERM. PRESS button once to advance to next code.</li> </ul>
5. 00	<b>TIME-OF-DAY CLOCK, MINUTES</b>
5. 00	This is the TIME-OF-DAY CLOCK, minute setting; select 0–59 minutes by pressing the WHITES AND COLORS button. <ul style="list-style-type: none"> <li>Press the PERM. PRESS button once to advance to next code.</li> </ul>
6. 00	<b>TIME-OF-DAY CLOCK, HOURS</b> <b>NOTE:</b> Uses military time or 24 hr. clock.
6. 00	This is the TIME-OF-DAY CLOCK, hour setting; select 0–23 hours by pressing the WHITES AND COLORS button. <ul style="list-style-type: none"> <li>Press the PERM. PRESS button once to advance to next code.</li> </ul>

# ELECTRONIC CONTROL SETUP INSTRUCTIONS

## OPTIONS 3.XX – 9.XX TO USE IF SPECIAL PRICING IS SELECTED (CONT.)

Code	Explanation
7. 00	<b>SPECIAL PRICE START HOUR</b> <b>NOTE:</b> Uses military time or 24 hr. clock.
7. 00	This is the start hour, 0–23 hours. <ul style="list-style-type: none"> <li>• Select START HOUR by pressing the WHITES AND COLORS button.</li> <li>• Press the PERM. PRESS button once to advance to next code.</li> </ul>
8. 00	<b>SPECIAL PRICE STOP HOUR</b> <b>NOTE:</b> Uses military time or 24 hr. clock.
8. 00	This is the stop hour, 0–23 hours. <ul style="list-style-type: none"> <li>• Select STOP HOUR by pressing the WHITES AND COLORS button.</li> <li>• Press the PERM. PRESS button once to advance to next code.</li> </ul>
9. 10	<b>SPECIAL PRICE DAY</b>
9. 10	This represents the day of the week and whether special pricing is selected for that day. A number followed by “0” indicates no selection that particular day (9. 10). A number followed by an “S” indicates selected for that day (9. 1S). Days of the week (1–7) are selected by pressing the WHITES AND COLORS button. Press the DELICATES button once to select special pricing for each day chosen.

When exiting set-up code “9.,” the display must show the current day of week:

DISPLAY	DAY OF WEEK	CODE (selected)
10	Day 1 = Sunday	1S
20	Day 2 = Monday	2S
30	Day 3 = Tuesday	3S
40	Day 4 = Wednesday	4S
50	Day 5 = Thursday	5S
60	Day 6 = Friday	6S
70	Day 7 = Saturday	7S

- Press the PERM. PRESS button once to advance to next code.

A. 00	<b>VAULT VIEWING OPTION</b> This option is either NOT SELECTED “OFF” or SELECTED “ON.”
A. 00	Not Selected “OFF.”
A. SC	Selected “ON.” <ul style="list-style-type: none"> <li>• Press the DELICATES button once to change this selection. When selected, the money and/or cycle counts will be viewable (if counter option(s) is selected) when the coin box is removed.</li> <li>• Press the PERM. PRESS button once to advance to next code.</li> </ul>

Code	Explanation
b. 05	<b>VALUE OF COIN 1</b>
b. 05	This represents the value of coin 1 in the quantity of 5% increments of the larger coin value. $5 \times 5\% = 25\%$ . <ul style="list-style-type: none"> <li>• By pressing the WHITES AND COLORS button, there is an option of 1–199 for the quantity of 5% increments. With coin slide activation, this represents the total vend price.</li> <li>• Press the PERM. PRESS button once to advance to next code.</li> </ul>
C. 20	<b>VALUE OF COIN 2</b>
C. 20	This represents the value of coin 2 in the quantity of 5% increments of the larger coin value. $20 \times 5\% = 100\%$ . By pressing the WHITES AND COLORS button, there is the option of 1–199 for the quantity of 5% increments.
C. 05	<b>PN MODELS:</b> This represents the value of coin 2 in the quantity of 5% increments of the larger coin value. Factory default = $5 \times 5\%$ of the larger coin value. <b>PN MODELS USING ENHANCED DEBIT:</b> This represents the value of top off in quantity of 5% increments of the larger coin value. Factory default = $5 \times 5\%$ of the larger coin value. <ul style="list-style-type: none"> <li>• Press the PERM. PRESS button once to advance to next code.</li> </ul>
d. 00	<b>COIN SLIDE OPTION</b> This option is either NOT SELECTED “OFF” or SELECTED “ON.” Replacement of metercase will be needed for coin slide mounting.
d. 00	Not Selected “OFF.”
d. CS	Selected “ON.” <b>NOTE:</b> This option needs to be set to “00” unless the metercase has been changed to accept a coin slide device. <ul style="list-style-type: none"> <li>• Press the DELICATES button 3 consecutive times for this selection. When coin slide mode is selected, set “b.” equal to value of slide in coins. Set “6 xx” (REGULAR CYCLE PRICE) and “3.xx” (SPECIAL CYCLE PRICE) to number of slide operations. <math>6.01</math> and <math>3.01 = 1</math> slide push.</li> </ul> <b>NOTE:</b> If the installer sets up “CS” on a coin drop model, it will not register coins. <ul style="list-style-type: none"> <li>• Press the PERM. PRESS button once to advance to next code.</li> </ul>
E. 00	<b>ADD COINS OPTION</b> This option is either NOT SELECTED “OFF” or SELECTED “ON.” This option causes the customer display to show the number of coins (coin 1) to enter, rather than the amount.
E. 00	Not Selected “OFF.”
E. AC	Selected “ON.” <ul style="list-style-type: none"> <li>• Press the DELICATES button 3 consecutive times to change this selection.</li> </ul> <b>PN MODELS:</b> This option is not selectable. <ul style="list-style-type: none"> <li>• Press the PERM. PRESS button once to advance to next code.</li> </ul>

# ELECTRONIC CONTROL SETUP INSTRUCTIONS

Code	Explanation
J. Cd	<b>PAYMENT MODE (COIN/DEBIT OPTION)</b>
J. Cd	Both coin and debit selected. (NOT AVAILABLE)
J. C_	Coins selected, debit disabled. Press the DELICATES button 3 consecutive times to change this selection.
J._d	<b>PN models:</b> Factory default to J._d. Debit Card selected, coins disabled. Press the DELICATES button 3 consecutive times to change this selection.
J. Ed	Enhanced Debit is self-selected when a Generation 2 card reader is installed in the dryer. The Ed option cannot be manually selected or deselected. (NOT AVAILABLE) <ul style="list-style-type: none"> <li>• Press the PERM. PRESS button once to advance to next code.</li> </ul>
L. 00	<b>PRICE SUPPRESSION OPTION</b> This option is either NOT SELECTED "OFF" OR SELECTED "ON." This option causes the customer display to show "ADD" or "AVAILABLE" rather than the amount of money to add. (Used mainly in debit installations.)
L. 00	Not Selected "OFF."
L. PS	Selected "ON." <ul style="list-style-type: none"> <li>• Press the DELICATES button once to change this selection.</li> <li>• Press the PERM. PRESS button once to advance to next code.</li> </ul>
n. CE	<b>CLEAR ESCROW OPTION</b> This option is either NOT SELECTED "OFF" OR SELECTED "ON." When selected, money held in escrow for 30 minutes without further escrow or cycle activity will be cleared.
n. 00	Not Selected "OFF."
n. CE	Selected "ON." <ul style="list-style-type: none"> <li>• Press the DELICATES button once to change this selection.</li> <li>• Press the PERM. PRESS button once to advance to next code.</li> </ul>

Code	Explanation
U. 00	<b>COIN INCREMENT OFFSET</b>
U. 00	This represents the hundredth increment price offset used in Generation 2 (Enhanced Debit) PN models. Choose from 0–4 hundredths by pressing the WHITES AND COLORS button. (NOT AVAILABLE) <ul style="list-style-type: none"> <li>• Press the PERM. PRESS button once to advance to next code.</li> </ul>

END of SET-UP PROCEDURES.

## EXIT FROM SET-UP MODE

- PD MODELS: Reinstall access door.
- PN Models where AA1 plug was removed:
  1. Unplug dryer or disconnect power.
  2. Open console, reinsert jumper into AA1, and close console.
  3. Plug in dryer or reconnect power.
- PN WITH PROGRAMMING SWITCH: Turn key clockwise and remove.
- If Service Access Code was used to enter set-up mode: From Set-up Code 8, press button #1 for 4 seconds, wait 2 minutes without touching any buttons (without diagnostic modes running), or power down the dryer; then reapply power.

# MAYTAG® COMMERCIAL WASHER, DRYER, STACKED DRYER/DRYER, COMMERCIAL STACK LAUNDRY, AND MULTI-LOAD COIN OPERATED COMMERCIAL WASHERS AND DRYERS WARRANTY

---

## LIMITED WARRANTY (PARTS ONLY – LABOR NOT INCLUDED)

For the first five years from the original date of purchase, when this commercial appliance is installed, maintained, and operated according to the instructions attached to or furnished with the product, Maytag brand of Whirlpool Corporation (hereafter “Maytag”) will pay for factory specified replacement parts to correct defects in materials or workmanship that existed when this commercial appliance was purchased. This limited warranty does not include labor.

YOUR SOLE AND EXCLUSIVE REMEDY UNDER THIS LIMITED WARRANTY SHALL BE PRODUCT REPAIR AS PROVIDED HEREIN. Maytag recommends that you use an “in network” service provider to diagnose and repair your Commercial Laundry product. Maytag will not be responsible under this warranty to provide additional replacement parts as a result of incorrect diagnosis or repair by an “out of network” service company. This limited warranty is valid in the United States or Canada and applies only when the commercial appliance is used in the country in which it was purchased. This limited warranty is effective from the date of the original consumer purchase. Proof of original purchase date is required to obtain service under this limited warranty.

---

## ITEMS EXCLUDED FROM WARRANTY

### This limited warranty does not cover:

1. All other costs including labor, transportation, shipping, or custom duties for covered parts.
2. Factory specified replacement parts if this commercial appliance is used for other than normal, commercial use or when it is used in a manner that is inconsistent to published user or operator instructions and/or installation instructions.
3. Service calls to correct the installation of your commercial appliance, to instruct you on how to use your commercial appliance, to replace or repair house fuses, or to correct external wiring or plumbing.
4. Damage resulting from improper handling of product during delivery, theft, accident, alteration, misuse, abuse, fire, flood, acts of God, improper installation, installation not in accordance with local electrical or plumbing codes, or use of products not approved by Maytag.
5. Pick up and delivery. This commercial appliance is designed to be repaired on location.
6. Repairs to parts or systems resulting from unauthorized modifications made to the commercial appliance.
7. The removal and reinstallation of your commercial appliance if it is installed in an inaccessible location or is not installed in accordance with published installation instructions.
8. Damage resulting from exposure to chemicals.
9. Changes to the building, room, or location needed in order to make the commercial appliance operate correctly.
10. Factory specified replacement parts on commercial appliances with original model/serial numbers that have been removed, altered, or cannot be easily determined.
11. Discoloration, rust, or oxidation of stainless steel surfaces.
12. Factory specified replacement parts as a result of incorrect diagnosis or repair by an “out of network” service company.

**The cost of repair or replacement under these excluded circumstances shall be borne by the customer.**

---

## DISCLAIMER OF IMPLIED WARRANTIES

IMPLIED WARRANTIES, INCLUDING ANY IMPLIED WARRANTY OF MERCHANTABILITY OR IMPLIED WARRANTY OF FITNESS FOR A PARTICULAR PURPOSE, ARE LIMITED TO ONE YEAR OR THE SHORTEST PERIOD ALLOWED BY LAW. Some states and provinces do not allow limitations on the duration of implied warranties of merchantability or fitness, so this limitation may not apply to you. This warranty gives you specific legal rights, and you also may have other rights that vary from state to state or province to province.

---

## DISCLAIMER OF REPRESENTATIONS OUTSIDE OF WARRANTY

Maytag makes no representations about the quality, durability, or need for service or repair of this commercial appliance other than the representations contained in this Warranty. If you want a longer or more comprehensive warranty than the limited warranty that comes with this commercial appliance, you should ask Maytag or your retailer about buying an extended warranty.

---

## LIMITATION OF REMEDIES; EXCLUSION OF INCIDENTAL AND CONSEQUENTIAL DAMAGES

YOUR SOLE AND EXCLUSIVE REMEDY UNDER THIS LIMITED WARRANTY SHALL BE PRODUCT REPAIR AS PROVIDED HEREIN. MAYTAG SHALL NOT BE LIABLE FOR INCIDENTAL OR CONSEQUENTIAL DAMAGES. Some states and provinces do not allow the exclusion or limitation of incidental or consequential damages, so these limitations and exclusions may not apply to you. This warranty gives you specific legal rights, and you also may have other rights that vary from state to state or province to province.

---

If you need service, please contact your authorized Maytag Commercial Laundry® distributor. To locate your authorized Maytag Commercial Laundry® distributor, call 1-800-662-3587, or for web inquiries, visit [www.MaytagCommercialLaundry.com](http://www.MaytagCommercialLaundry.com).

02/14

For written correspondence:

Maytag Commercial Laundry® Service Department  
2000 N M 63  
Benton Harbor, Michigan 49022-2632 USA



