

# OPERATOR'S MANUAL

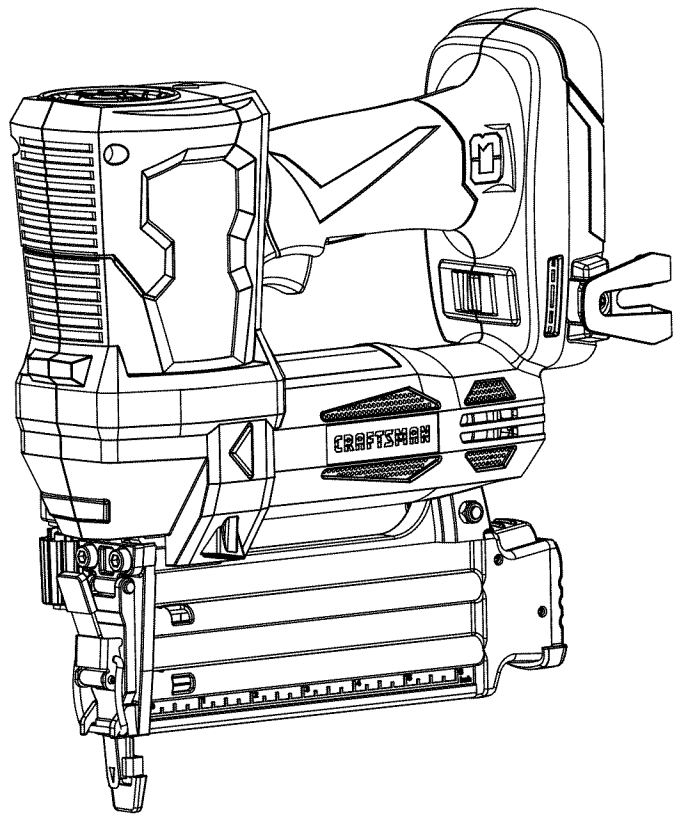
## MANUAL DEL OPERADOR

# CRAFTSMAN®

## 19.2 VOLT BRAD NAILER

CLAVADORA DE PUNTILLAS CALIBRE DE 19,2 V

Model No. / Número de modelo  
315.FS2000



**⚠ WARNING:** To reduce the risk of injury, the user must read and understand the operator's manual before using this product.

**⚠ ADVERTENCIA:** Para reducir el riesgo de lesiones, el usuario debe leer y comprender el manual del operador antes de usar este producto.

Customer Help Line: 1-800-932-3188  
Teléfono de atención al consumidor: 1-800-932-3188

Sears Brands Management Corporation, 3333 Beverly Rd., Hoffman Estates, IL 60179 USA  
Visit the Craftsman web page: [www.sears.com/craftsman](http://www.sears.com/craftsman)  
Visite el sitio web de Craftsman: [www.sears.com/craftsman](http://www.sears.com/craftsman)

990000779  
11-21-13 (REV:01)

**Save this manual for future reference**  
**Guarde este manual para futuras consulta**



# TABLE OF CONTENTS / ÍNDICE DE CONTENIDO

## ENGLISH

■ Warranty.....	2
■ Introduction.....	2
■ General Power Tool Safety Warnings .....	3-4
■ Nailer Safety Warnings.....	5-6
■ Symbols.....	7
■ Glossary.....	8
■ Features .....	8
■ Assembly .....	8
■ Operation .....	9-11
■ Maintenance .....	12
■ Troubleshooting .....	12
■ Illustrated Parts List .....	13
■ Figure Numbers (Illustrations).....	i
■ Parts Ordering / Service.....	Back Page

## ESPAÑOL

■ Garantía .....	2
■ Introducción .....	2
■ Advertencias de seguridad para herramientas eléctricas.....	3-4
■ Advertencias de seguridad clavadora .....	5-6
■ Símbolos.....	7
■ Glossary.....	8
■ Características.....	8
■ Armado .....	8
■ Funcionamiento .....	9-11
■ Mantenimiento .....	12
■ Corrección de problemas .....	12
■ Figura numeras (ilustraciones).....	i
■ Pedidos de piezas / Servicio .....	Pág. posterior

# WARRANTY / GARANTÍA

## CRAFTSMAN® ONE YEAR LIMITED WARRANTY

FOR ONE YEAR from the date of purchase, this product is warranted against any defects in material or workmanship. With proof of purchase, defective product will be replaced free of charge.

**For warranty coverage details to obtain free replacement, visit the web site: [www.craftsman.com](http://www.craftsman.com)**

This warranty does not cover nails, which are expendable parts that can wear out from normal use within the warranty period.

This warranty is void if this product is ever used while providing commercial services or if rented to another person.

This warranty gives you specific legal rights, and you may also have other rights which vary from state to state.

**Sears Brands Management Corporation, Hoffman Estates, IL 60179**

\* \* \*

## GARANTÍA LIMITADA DE CRAFTSMAN POR UN AÑO

Este producto tiene garantía por cualquier defecto en material o mano de obra DURANTE UN AÑO desde la fecha de compra. Los productos defectuosos se reemplazarán sin cargo si presenta un comprobante de pago.

**Si desea conocer los detalles de la cobertura de la garantía para conseguir reparaciones o recambios, visite el sitio Web: [www.craftsman.com](http://www.craftsman.com)**

Esta garantía no cubre la clavadoras, que es una pieza fungible que puede desgastarse por el uso normal durante el período de garantía.

La garantía pierde validez si este producto se utiliza mientras se prestan servicios comerciales o si se alquila a otra persona.

Esta garantía le otorga derechos legales específicos y también puede gozar de otros derechos que varían según el estado.

**Sears Brands Management Corporation, Hoffman Estates, IL 60179**

# INTRODUCTION / INTRODUCCIÓN

This tool has many features for making its use more pleasant and enjoyable. Safety, performance, and dependability have been given top priority in the design of this product making it easy to maintain and operate.

\* \* \*

Esta herramienta ofrece numerosas características para hacer más agradable y placentero su uso. En el diseño de este producto se ha conferido prioridad a la seguridad, el desempeño y la fiabilidad, por lo cual se facilita su manejo y mantenimiento.

# GENERAL POWER TOOL SAFETY WARNINGS

**⚠ WARNING** Read all safety warnings and all instructions. Failure to follow the warnings and instructions may result in electric shock, fire and/or serious injury.

## Save all warnings and instructions for future reference.

The term “power tool” in the warnings refers to your mains-operated (corded) power tool or battery-operated (cordless) power tool.

## WORK AREA SAFETY

- **Keep work area clean and well lit.** Cluttered or dark areas invite accidents.
- **Do not operate power tools in explosive atmospheres, such as in the presence of flammable liquids, gases or dust.** Power tools create sparks which may ignite the dust or fumes.
- **Keep children and bystanders away while operating a power tool.** Distractions can cause you to lose control.

## ELECTRICAL SAFETY

- **Power tool plugs must match the outlet. Never modify the plug in any way. Do not use any adapter plugs with earthed (grounded) power tools.** Unmodified plugs and matching outlets will reduce risk of electric shock.
- **Avoid body contact with earthed or grounded surfaces such as pipes, radiators, ranges and refrigerators.** There is an increased risk of electric shock if your body is earthed or grounded.
- **Do not expose power tools to rain or wet conditions.** Water entering a power tool will increase the risk of electric shock.
- **Do not abuse the cord. Never use the cord for carrying, pulling or unplugging the power tool. Keep cord away from heat, oil, sharp edges or moving parts.** Damaged or entangled cords increase the risk of electric shock.
- **When operating a power tool outdoors, use an extension cord suitable for outdoor use.** Use of a cord suitable for outdoor use reduces the risk of electric shock.
- **If operating a power tool in a damp location is unavoidable, use a ground fault circuit interrupter (GFCI) protected supply.** Use of a GFCI reduces the risk of electric shock.
- **Use battery only with charger listed. For use with 19.2V nickel-cadmium and 19.2V lithium-ion battery packs, see tool/appliance/battery pack/charger correlation supplement 988000-272.**

## PERSONAL SAFETY

- **Stay alert, watch what you are doing and use common sense when operating a power tool. Do not use a power tool while you are tired or under the influence of drugs, alcohol or medication.** A moment of inattention while operating power tools may result in serious personal injury.
- **Use personal protective equipment. Always wear eye protection.** Protective equipment such as dust mask, non-skid safety shoes, hard hat, or hearing protection used for appropriate conditions will reduce personal injuries.
- **Prevent unintentional starting. Ensure the switch is in the off-position before connecting to power source and/or battery pack, picking up or carrying the tool.** Carrying power tools with your finger on the switch or energising power tools that have the switch on invites accidents.
- **Remove any adjusting key or wrench before turning the power tool on.** A wrench or a key left attached to a rotating part of the power tool may result in personal injury.
- **Do not overreach. Keep proper footing and balance at all times.** This enables better control of the power tool in unexpected situations.
- **Dress properly. Do not wear loose clothing or jewellery. Keep your hair, clothing and gloves away from moving parts.** Loose clothes, jewellery or long hair can be caught in moving parts.
- **If devices are provided for the connection of dust extraction and collection facilities, ensure these are connected and properly used.** Use of dust collection can reduce dust-related hazards.
- **Do not wear loose clothing or jewelry. Contain long hair.** Loose clothes, jewelry, or long hair can be drawn into air vents.
- **Do not use on a ladder or unstable support.** Stable footing on a solid surface enables better control of the power tool in unexpected situations.

## POWER TOOL USE AND CARE

- **Do not force the power tool. Use the correct power tool for your application.** The correct power tool will do the job better and safer at the rate for which it was designed.
- **Do not use the power tool if the switch does not turn it on and off.** Any power tool that cannot be controlled with the switch is dangerous and must be repaired.

# GENERAL POWER TOOL SAFETY WARNINGS

- **Disconnect the plug from the power source and/or the battery pack from the power tool before making any adjustments, changing accessories, or storing power tools.** Such preventive safety measures reduce the risk of starting the power tool accidentally.
- **Store idle power tools out of the reach of children and do not allow persons unfamiliar with the power tool or these instructions to operate the power tool.** Power tools are dangerous in the hands of untrained users.
- **Maintain power tools. Check for misalignment or binding of moving parts, breakage of parts and any other condition that may affect the power tool's operation. If damaged, have the power tool repaired before use.** Many accidents are caused by poorly maintained power tools.
- **Keep cutting tools sharp and clean.** Properly maintained cutting tools with sharp cutting edges are less likely to bind and are easier to control.
- **Use the power tool, accessories and tool bits etc. in accordance with these instructions, taking into account the working conditions and the work to be performed.** Use of the power tool for operations different from those intended could result in a hazardous situation.
- **Use power tools only with specifically designated battery packs.** Use of any other battery packs may create a risk of injury and fire.
- **When battery pack is not in use, keep it away from other metal objects, like paper clips, coins, keys, nails, screws or other small metal objects, that can make a connection from one terminal to another.** Shorting the battery terminals together may cause burns or a fire.
- **Under abusive conditions, liquid may be ejected from the battery; avoid contact. If contact accidentally occurs, flush with water. If liquid contacts eyes, additionally seek medical help.** Liquid ejected from the battery may cause irritation or burns.

## SERVICE

- **Have your power tool serviced by a qualified repair person using only identical replacement parts.** This will ensure that the safety of the power tool is maintained.
- **When servicing a power tool, use only identical replacement parts. Follow instructions in the Maintenance section of this manual.** Use of unauthorized parts or failure to follow Maintenance instructions may create a risk of shock or injury.

## BATTERY TOOL USE AND CARE

- **Recharge only with the charger specified by the manufacturer.** A charger that is suitable for one type of battery pack may create a risk of fire when used with another battery pack.

# NAILER SAFETY WARNINGS

- **Always assume that the tool contains nails.** Careless handling of the nailer can result in unexpected firing of nails and personal injury.
- **Do not point the tool towards yourself or anyone nearby.** Unexpected triggering will discharge the nail causing an injury.
- **Do not actuate the tool unless the tool is placed firmly against the workpiece.** If the tool is not in contact with the workpiece, the nail may be deflected away from your target.
- **Disconnect the tool from the power source when the fastener jams in the tool.** While removing a jammed fastener, the tacker may be accidentally activated if it is plugged in.
- **Use caution while removing a jammed nail.** The mechanism may be under compression and the nail may be forcefully discharged while attempting to free a jammed condition.
- **Do not use this nailer for fastening electrical cables.** It is not designed for electric cable installation and may damage the insulation of electric cables thereby causing electric shock or fire hazards.
- **Hold power tool by insulated gripping surfaces, when performing an operation where the nail may contact hidden wiring.** Nails contacting a “live” wire may make exposed metal parts of the power tool “live” and could give the operator an electric shock.
- **Know your power tool. Read operator’s manual carefully. Learn its applications and limitations, as well as the specific potential hazards related to this power tool.** Following this rule will reduce the risk of electric shock, fire, or serious injury.
- **Always wear eye protection with side shields marked to comply with ANSI Z87.1.** Everyday glasses have only impact resistant lenses. They are not safety glasses. Following this rule will reduce the risk of serious personal injury.
- **Eye protection which conforms to ANSI specifications and provides protection against flying particles both from the FRONT and SIDE should ALWAYS be worn by the operator and others in the work area when loading, operating or servicing this tool.** Eye protection is required to guard against flying fasteners and debris, which could cause severe eye injury.
- **The employer and/or user must ensure that proper eye protection is worn.** We recommend Wide Vision Safety Mask for use over eyeglasses or standard safety glasses that provide protection against flying particles both from the front and side. Always use eye protection which is marked to comply with ANSI Z87.1.
- **Additional safety protection will be required in some environments.** For example, the working area may include exposure to noise level which can lead to hearing damage. The employer and user must ensure that any necessary hearing protection is provided and used by the operator and others in the work area. Some environments will require the use of head protection equipment. When required, the employer and user must ensure that head protection conforming to ANSI Z89.1-1997 is used.
- **Keep fingers away from trigger when not driving fasteners to avoid accidental firing.**
- **Use safety equipment. Always wear eye protection.** Dust mask, nonskid safety shoes, hard hat, or hearing protection must be used for appropriate conditions.
- **Protect your lungs. Wear a face or dust mask if the operation is dusty.** Following this rule will reduce the risk of serious personal injury.
- **Protect your hearing. Wear hearing protection during extended periods of operation.** Following this rule will reduce the risk of serious personal injury.
- **Battery tools do not have to be plugged into an electrical outlet; therefore, they are always in operating condition. Be aware of possible hazards when not using your battery tool or when changing accessories.** Following this rule will reduce the risk of electric shock, fire, or serious personal injury.
- **Do not place battery tools or their batteries near fire or heat.** This will reduce the risk of explosion and possibly injury.
- **Use the tool only for its intended use.** Do not discharge fasteners into open air.
- **Use the tool only for the purpose for which it was designed.**
- **Use only the nails recommended for this tool.** Use of the wrong nails could result in poor nail feeding, jammed nails, and nails leaving the tool at erratic angles. If nails are not feeding smoothly and properly, discontinue their use immediately. Jammed and improperly feeding nails could result in serious personal injury.
- **Never use this tool in a manner that could cause a nail to be directed toward anything other than the workpiece.**
- **Do not use the tool as a hammer.**
- **Always carry the tool by the handle.**
- **Do not alter or modify this tool from the original design or function without approval from the manufacturer.**
- **Always be aware that misuse and improper handling of this tool can cause injury to yourself and others.**
- **Never clamp or tape the trigger or workpiece contact in an actuated position.**
- **Never leave tool unattended if the battery is installed.**
- **Do not operate this tool if it does not contain a legible warning label.**
- **Keep the tool and its handle dry, clean and free from oil and grease.** Always use a clean cloth when cleaning. Never use brake fluids, gasoline, petroleum-based products, or any strong solvents to clean your tool. Following this rule will reduce the risk of loss of control and deterioration of the enclosure plastic.

# NAILER SAFETY WARNINGS

## OPERATION

- **Do not use tool if trigger does not actuate properly.**  
Any tool that cannot be controlled with the trigger is dangerous and must be repaired.
- **Check operation of the workpiece contact mechanism frequently.** Do not use the tool if the workpiece contact mechanism is not working correctly as accidental driving of a nail may result. Do not interfere with the proper operation of the workpiece contact mechanism.
- **Do not use a tool that does not work correctly.**
- **Always assume that the tool contains nails.**
- **Do not carry the tool from place to place holding the trigger.** Accidental discharge could result.
- **Always handle the tool with care:**
  - Respect the tool as a working implement.
  - Never engage in horseplay.
  - Never pull the trigger unless nose is directed toward the work.
  - Keep others a safe distance from the tool while tool is in operation as accidental actuation may occur, possibly causing injury.
- **Choice of triggering method is important. Check manual for triggering options.**
- **The brad nailer is designed for single-hand use.** Do not hold the tool by the front of the magazine. Do not put hands, head, or other parts of your body near the bottom of the magazine where the nail exits the tool, as serious personal injury could result.
- **Do not point the tool toward yourself or anyone whether it contains nails or not.**
- **Do not actuate the tool unless you intend to drive a nail into the workpiece.**
- **Always ensure that the workpiece contact is fully positioned above the workpiece.** Positioning the workpiece contact only partially above the workpiece could cause the nail to miss the workpiece completely and result in serious personal injury.
- **Do not drive nails near edge of material.** The workpiece may split causing the nail to ricochet, injuring you or a co-worker. Be aware that the nail may follow the grain of the wood, causing it to protrude unexpectedly from the side of the work material or deflect, possibly causing injury.
- **Do not point the tool toward yourself or anyone whether it contains nails or not.**
- **Do not actuate the tool unless you intend to drive a nail into the workpiece.**

- **Always ensure that the workpiece contact is fully positioned above the workpiece.** Positioning the workpiece contact only partially above the workpiece could cause the nail to miss the workpiece completely and result in serious personal injury.
- **Do not drive nails near edge of material.** The workpiece may split causing the nail to ricochet, injuring you or a co-worker. Be aware that the nail may follow the grain of the wood, causing it to protrude unexpectedly from the side of the work material or deflect, possibly causing injury.
- **Keep hands and body parts clear of immediate work area.** Hold workpiece with clamps when necessary to keep hands and body out of potential harm. Be sure the workpiece is properly secured before pressing the fastener against the material. The workpiece contact may cause the work material to shift unexpectedly.
- **Keep face and body parts away from back of the tool cap when working in restricted areas.** Sudden recoil can result in impact to the body, especially when nailing into hard or dense material.
- **During normal use the tool will recoil immediately after driving a fastener. This is a normal function of the tool.** Do not attempt to prevent the recoil by holding the nailer against the work. Restriction to the recoil can result in a second fastener being driven from the nailer. Grip the handle firmly, let the tool do the work and do not place second hand on top of tool or near exhaust at any time. Failure to heed this warning can result in serious personal injury.
- **Do not drive fasteners on top of other fasteners or with the tool at an overly steep angle as this may cause deflection of fasteners which could cause injury.**

## LOADING TOOL

- **Do not load the tool with fasteners when any one of the operating controls is activated.**

### When loading tool:




- **Never place a hand or any part of body in fastener discharge area of tool.**
- **Never point tool at anyone.**
- **Do not pull the trigger or depress the workpiece contact as accidental actuation may occur, possibly causing injury.**

## SAVE THESE INSTRUCTIONS







- Refer to them frequently and use them to instruct others who may use this tool. If you loan someone this tool, loan them these instructions also.

# SYMBOLS

The following signal words and meanings are intended to explain the levels of risk associated with this product.

SYMBOL	SIGNAL	MEANING
	<b>DANGER:</b>	Indicates an imminently hazardous situation, which, if not avoided, will result in death or serious injury.
	<b>WARNING:</b>	Indicates a potentially hazardous situation, which, if not avoided, could result in death or serious injury.
	<b>CAUTION:</b>	Indicates a potentially hazardous situation, which, if not avoided, may result in minor or moderate injury.
	<b>NOTICE:</b>	(Without Safety Alert Symbol) Indicates important information not related to an injury hazard, such as a situation that may result in property damage.

Some of the following symbols may be used on this product. Please study them and learn their meaning. Proper interpretation of these symbols will allow you to operate the product better and safer.

SYMBOL	NAME	DESIGNATION/EXPLANATION
	Safety Alert	Indicates a potential personal injury hazard.
	Read Operator's Manual	To reduce the risk of injury, user must read and understand operator's manual before using this product.
	Eye Protection	Always wear eye protection with side shields marked to comply with ANSI Z87.1.
	Keep Hands Away	Keep hands and body away from the discharge area of the tool.
	Wet Conditions Alert	Do not expose to rain or use in damp locations.
	Recycle Symbols	This product uses nickel-cadmium (Ni-Cd) and lithium-ion (Li-ion) batteries. Local, state or federal laws may prohibit disposal of batteries in ordinary trash. Consult your local waste authority for information regarding available recycling and/or disposal options.
V	Volts	Voltage
min	Minutes	Time
==	Direct Current	Type or a characteristic of current
$n_0$	No Load Speed	Rotational speed, at no load
.../min	Per Minute	Revolutions, strokes, surface speed, orbits etc., per minute

# GLOSSARY

## Activate (operating controls)

To move an operating control so that it is in a position that allows the tool to be actuated or that satisfies one requirement for the tool to be actuated.

## Actuate (tool)

To cause movement of the tool component(s) intended to drive a fastener.

## Actuation system

The use of a trigger, workpiece contact, and/or other operating control, separately or in some combination or sequence, to actuate the tool.

- **Single sequential actuation**

An actuation system in which there is more than one operating control and the operating controls must be activated in a specific sequence to actuate the tool. Additional actuation can occur when a specific operating control, other than a workpiece contact, is released and re-activated.

- **Contact actuation**

An actuation system in which there is more than one operating control and the operating controls can be activated in any sequence to actuate the tool. Additional actuation can occur when any operating control is released and re-activated.

## Fastener

A staple, pin, brad, nail, or other fastening device which is designed and manufactured for use in the tools within the scope of this standard.

## Jam

An obstruction in the feed or drive areas of the tool.

## Operating control

A control that separately, or as part of an actuation system, can cause the actuation of a tool.

## Trigger

A tool operating control activated by a tool operator's fingers.

## Workpiece

The intended object into which a fastener is to be driven by a tool.

## Workpiece contact

An operating control element or assembly on the tool intended to be activated by the material to be fastened.


# FEATURES


## PRODUCT SPECIFICATIONS

Motor ..... 19.2 Volt DC  
Magazine Capacity ..... 105 Nails

Nailer Speed ..... up to 60 shots/min.  
Nail Type ..... 18 gauge  
Brad Nail Length ..... 5/8 - 2 in.

# ASSEMBLY

 **WARNING:** Do not use this product if it is not completely assembled or if any parts appear to be missing or damaged. Use of a product that is not properly and completely assembled or with damaged or missing parts could result in serious personal injury.

 **WARNING:** Do not attempt to modify this product or create accessories or attachments not recommended for use with this product. Any such alteration or modification is misuse and could result in a hazardous condition leading to possible serious personal injury.

If any parts are damaged or missing, please call 1-800-932-3188 for assistance.



# OPERATION

**⚠ WARNING:** Do not allow familiarity with tools to make you careless. Remember that a careless fraction of a second is sufficient to inflict serious injury.

**⚠ WARNING:** Always remove battery pack from the tool when you are assembling parts, making adjustments, cleaning, or when not in use. Removing battery pack will prevent accidental starting that could cause serious personal injury.

**⚠ WARNING:** Always wear eye protection with side shields marked to comply with ANSI Z87.1. Failure to do so could result in objects being thrown into your eyes, resulting in possible serious injury.

**⚠ WARNING:** Do not use any attachments or accessories not recommended by the manufacturer of this tool. The use of attachments or accessories not recommended can result in serious personal injury.

## APPLICATIONS

You may use this tool for the purposes listed below:

- Finish and Trim (Interior and exterior)
- Door & Window Casing
- Door Jambs
- Baseboard
- Crown Molding
- Cabinetry
- Cap and Shoe Molding
- Molding
- Staircases
- Door and Window Trim
- Chair Rail
- Brickmold
- Hardwood Flooring
- Paneling
- Furniture

## ATTACH BELT HOOK

See Figure 1, page i.

The belt hook can be installed on the left or right side of the nailer, depending on operator preference.

- Align belt hook and screw with right or left side screw hole.
- Using a phillips head screwdriver (not included) tighten securely.

## INSTALLING/REMOVING BATTERY PACK

See Figure 2, page i.

- **To install**, place the battery pack in the tool. Align the raised rib inside the tool with the groove on the battery pack.

- Make sure the latches on each side of the battery pack snap into place and battery pack is secured in tool before beginning operation.

**NOTE:** Squeeze LED light grip switch to activate nailer.

### To remove battery pack:

- **To remove**, locate latches on battery pack and depress to release battery pack from the tool.

For complete charging instructions, see the operator's manuals for your battery pack and charger.

## NO-MAR PAD

See Figure 3, page i.

The no-mar pad attached to the nose of the tool helps prevent marring and denting when working with softer woods.

### To remove or replace the pad:

- Remove the battery pack.
- Remove the pad by pulling it down and away from the nose.
- To replace the pad, fit it into place over the nose and push up to reseat.

On-board storage for the pad is located on the magazine of the tool. An extra no-mar pad is provided in the on-board storage area.

## LOADING THE TOOL WITH BRAD NAILS

See Figures 4 - 5, page i.

**⚠ WARNING:** Use only the brad nails recommended for use with this tool. The use of any other nails can result in tool malfunction, leading to serious injuries.

**⚠ WARNING:** Keep the tool pointed away from yourself and others when loading nails. Failure to do so could result in possible serious personal injury.

- Remove battery pack from the tool, if installed.
- With the nose of the tool pointed away from you, squeeze magazine release button located at the rear of the magazine and slide the magazine cover open.
- Place brad nails in the channel with nail tips pointing down and resting on bottom of the channel.
- Push the magazine cover closed until it securely snaps into place.
- Make sure that the magazine is securely locked in place.
- Reinstall battery, and reactivate tool by pressing the worklight grip switch.

# OPERATION

## REMOVING NAILS FROM THE TOOL

- Remove the battery pack.
- Depress the magazine release button.
- Remove nails and close the magazine.

## SETTING THE AIR PRESSURE

See Figure 6, page ii.

The amount of air pressure required will depend on the size of the nail and the workpiece material.

Begin testing the depth of drive by driving a test nail into the same type of workpiece material used for the actual job.

- Remove battery pack from the tool, if installed.
- Turn air pressure dial clockwise to increase air pressure or counterclockwise for decreased pressure.

It may be possible to achieve the desired depth with air pressure adjustments alone. If finer adjustments are needed, use the depth of drive adjustment on the tool.

**NOTE:** Under some conditions, the unit may not deliver a nail when the air pressure dial is turned to the MAXIMUM pressure setting. The user may need to decrease the pressure setting for desired operation

## DEPTH OF DRIVE ADJUSTMENT

See Figure 7, page ii.

The driving depth of the nail may be adjusted beyond air pressure. It is advisable to test the depth on a scrap workpiece to determine the required depth for the application.

To determine depth of drive, first adjust the air pressure and drive a test nail. To achieve the desired depth, use the depth of drive adjustment on the tool. Harder materials and longer nails will require more force to drive the nail.

- Remove battery pack from the tool, if installed.
- Turn the depth of drive adjustment left or right to change the driving depth.
- Reinstall battery and reactivate the tool by pressing the worklight grip switch.
- Drive a test nail after each adjustment until the desired depth is set.

**NOTE:** Set depth of drive at the shallowest depth that will meet your needs.

## DRIVING BRAD NAILS

See Figures 8 - 9, page ii.

**⚠ WARNING:** Never wedge or hold back the workpiece contact mechanism during operation of the tool. Doing so could result in possible serious injury.

The mode selector lets the operator choose between Single Sequential Actuation for precise fastener placement and Contact Actuation for higher productivity.

The tool will drive a nail each time the trigger is depressed, as long as the workpiece contact is depressed.

### Single sequential actuation mode:

Single sequential actuation provides the most accurate nail placement.

- Remove battery pack from the tool.
- Slide the selector to position (T).

**⚠ WARNING:** The nailer will not function properly if the selector is not securely seated in either position (T) or (TTT). Always assure the selector is seated properly to avoid an unexpected nail discharge and possible serious personal injury.

- Reinstall the battery, reactivate tool.
- Grip the tool firmly to maintain control. Position the nose of the tool onto the work surface.
- Push the tool against the work surface to depress the workpiece contact.
- Squeeze the trigger to drive a nail.  
**NOTE:** Hold trigger until drive cycle is complete.
- Always remove your finger from the trigger when the desired number of nails has been driven.

### Contact actuation mode:

Contact actuation allows very fast repetitive nail placement.

- Remove battery pack from the tool.
- Slide the selector to position (TTT).
- Reinstall the battery, reactivate tool.
- Grip the tool firmly to maintain control.
- Squeeze and hold the trigger. Push the tool against the work surface to depress the workpiece contact and drive a nail.  
**NOTE:** Hold trigger until drive cycle is complete.
- Always remove your finger from the trigger when the desired number of nails has been driven.

**NOTE:** In Contact Actuation Mode, the tool may also be operated by depressing the workpiece contact against the surface and squeezing the trigger.

# OPERATION

## DRY-FIRE LOCKOUT

The dry-fire lockout feature keeps the tool from operating when fasteners are low in the magazine.

The low nail indicator window in the magazine shows how many nails remain in the tool.

When the magazine has 0-5 nails remaining, the dry-fire lockout feature will not allow continued operation.

To resume operation, reload the tool with nails.

## LED WORKLIGHTS/DIAGNOSTIC FEEDBACK

See Figure 10, page ii.


The LED Worklights provide feedback to indicate whether the battery pack is charged sufficiently and/or if the tool is functioning properly.

To turn on the worklights, press the LED worklight grip switch while firmly holding tool in normal operating position.

If worklights are flashing, install fully charged battery. If lights continue to flash, see *Troubleshooting* section for more information.

## REMOVING A JAMMED BRAD NAIL

See Figure 11, page ii.

 **WARNING:** Remove the battery pack before removing nails or clearing a jammed nail. Failure to do so could result in serious personal injury.


- Remove battery pack from the tool.
- Open magazine and remove nails.
- Pull up on the latch and open the jam release.
- Insert a flat blade screwdriver into the tip of the driving mechanism and push the driver mechanism back, freeing the nail jam.
- Remove the bent nail.
- Close the jam release and latch.
- Reinstall nails and close the magazine.
- Reinstall the battery, reactivate tool.

**NOTE:** Driving too deeply into the material, excess debris, or jammed nails may lead to a driver blade being stuck at its bottom position.

The driver blade can usually be returned to its operating position by depressing the work contact element against a scrap piece of wood and squeezing the trigger.

## CALIFORNIA PROPOSITION 65

---

 **WARNING:** This product and some dust created by power sanding, sawing, grinding, drilling, and other construction activities may contain chemicals, including lead, known to cause cancer, birth defects or other reproductive harm. **Wash hands after handling.** Some examples of these chemicals are:

- lead from lead-based paints,
- crystalline silica from bricks and cement and other masonry products, and
- arsenic and chromium from chemically-treated lumber.

Your risk from these exposures varies, depending on how often you do this type of work. To reduce your exposure to these chemicals: work in a well ventilated area, and work with approved safety equipment, such as those dust masks that are specially designed to filter out microscopic particles.

# MAINTENANCE

**⚠ WARNING:** When servicing, use only identical replacement parts. Use of any other parts could create a hazard or cause product damage.

**⚠ WARNING:** Always wear eye protection with side shields marked to comply with ANSI Z87.1. Failure to do so could result in objects being thrown into your eyes resulting in possible serious injury.

**⚠ WARNING:** To avoid serious personal injury, always remove the battery pack from the product when cleaning or performing any maintenance.

## GENERAL MAINTENANCE

Avoid using solvents when cleaning plastic parts. Most plastics are susceptible to damage from various types of commercial solvents and may be damaged by their use. Use clean cloths to remove dirt, dust, oil, grease, etc.

**⚠ WARNING:** Do not at any time let brake fluids, gasoline, petroleum-based products, penetrating oils, etc., come in contact with plastic parts. Chemicals can damage, weaken or destroy plastic which could result in serious personal injury.

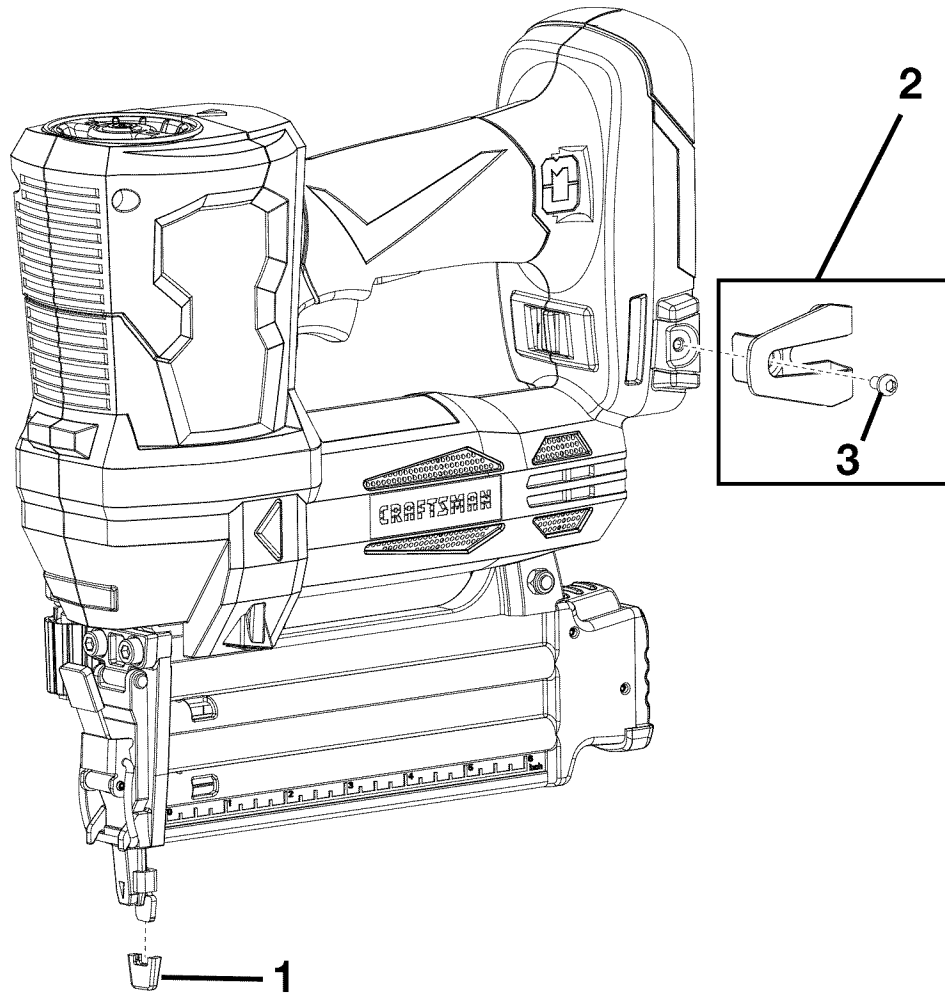
# TROUBLESHOOTING

PROBLEM	POSSIBLE CAUSE	SOLUTION
Work-contacting element does not depress fully - tool does not operate.	Low nails Work-contacting element is jammed	Replenish nails Remove battery and clear debris
Tool operates properly, but nails do not drive fully	Air pressure is too low Depth of drive isn't deep enough Nail is too long for wood hardness	Increase air pressure Adjust depth of drive Use nail length that is appropriate for wood
Tool operates properly, but nails are driven too deep	Air pressure is too high Depth of drive is too deep	Decrease air pressure Adjust depth of drive
Tool jams frequently	Incorrect nails Damaged nails Loose magazine Dirty magazine	Verify that nails are the correct size Replace nails Tighten screws Clean magazine
Tool stops and LEDs flash rapidly	Battery is low or has no charge Tool is hot	Recharge battery Allow tool to cool
Tool has charged battery and LEDs are slowly flashing or LEDs do not turn off after approximately ten seconds of non-use.	Tool has malfunctioned	Take tool to nearest authorized repair center

**CRAFTSMAN 19.2 VOLT CORDLESS NAILER – MODEL NO. 315.FS2000**

The model number will be found on a label attached to the motor housing. Always mention the model number in all correspondence regarding your **19.2 VOLT CORDLESS NAILER** or when ordering repair parts.

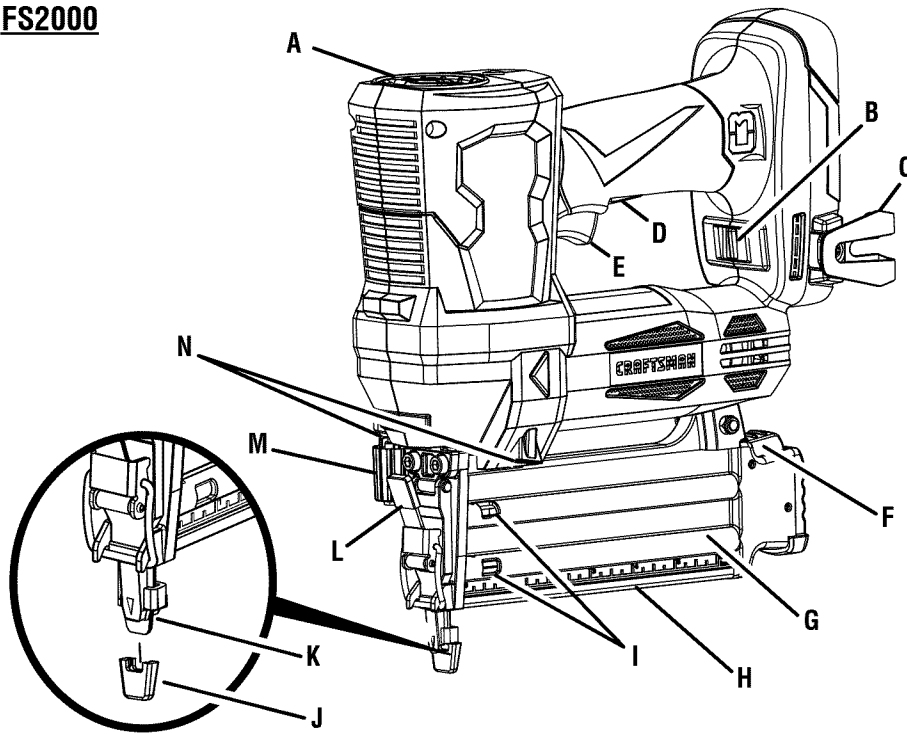
**SEE BACK PAGE FOR PARTS ORDERING INSTRUCTIONS**



**PARTS LIST**

Key No.	Part Number	Description	Qty.
1	527262001	No-Mar Pad (not shown) .....	1
	525814002	No-Mar Pad .....	1
2	635048001	Belt Clip .....	1
3	660212057	Screw .....	1
	9900000779	Operator's Manual .....	1

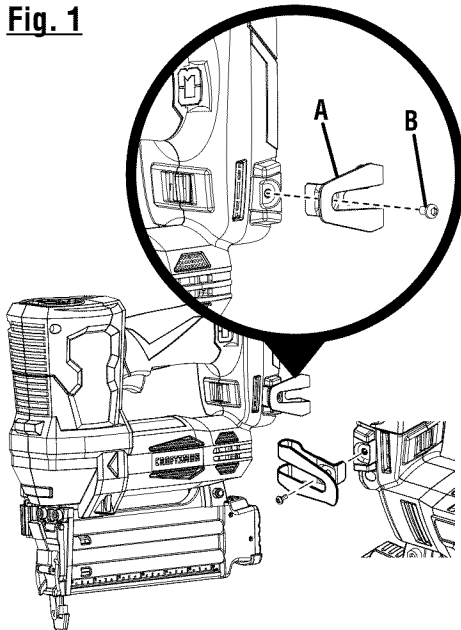
**FS2000**



- A - Air pressure dial (cuadrante de presión de aire)
- B - Mode selector (selector de modo)
- C - Belt hook (gancho de la correa)
- D - LED worklight grip switch (interruptor del mango con luz LED)
- E - Trigger switch (interruptor de gatillo)
- F - Magazine release button (botón para soltar)
- G - Side-loading magazine (cargador de carga lateral)

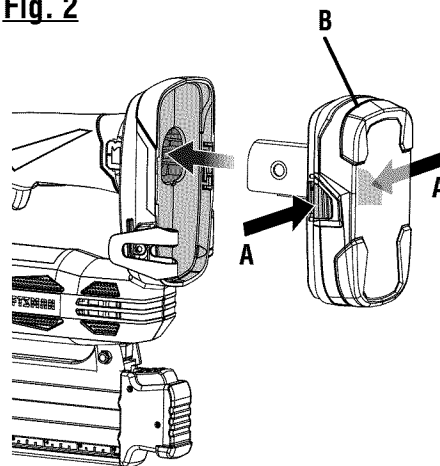
- H - Scale (escala)
- I - Low nail indicator windows (ventanas que indican poca cantidad de clavos)
- J - No-mar pad (almohadilla protectora)
- K - Workpiece contact (disparador de contacto)
- L - Jam release (soltador)
- M - Depth of drive adjustment (ajuste de la profundidad de introducción)
- N - LED worklights (luces de trabajo de LED)

**Fig. 1**



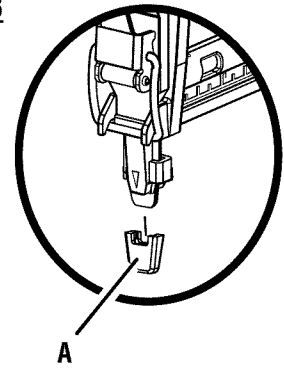
- A - Belt hook (gancho de la correa)
- B - Screw (tornillo)

**Fig. 2**



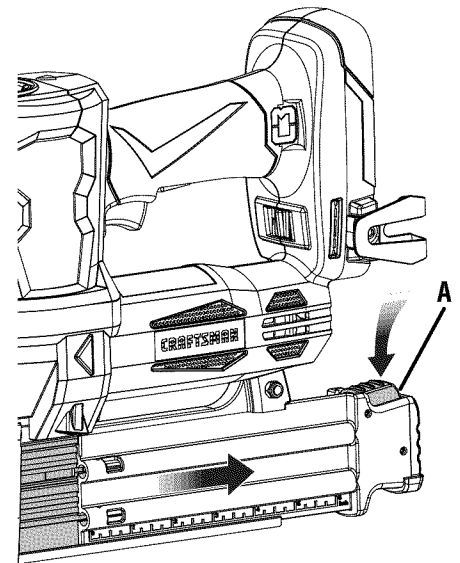
- A - Depress latches (para soltar el paquete de baterías oprima los pestillos)
- B - Battery pack (baterías)

**Fig. 3**



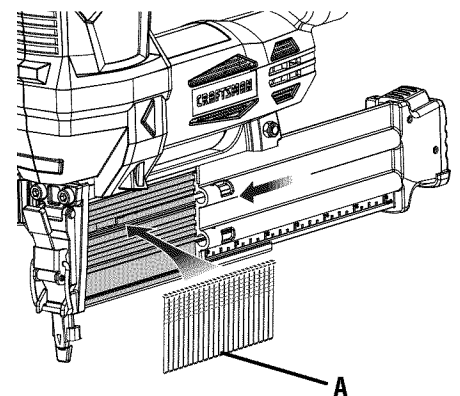
- A - No-mar pad (almohadilla protectora)

**Fig. 4**



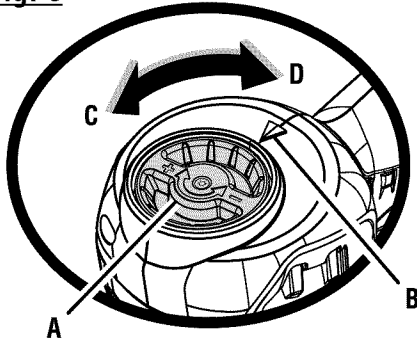
- A - Magazine release button (botón para soltar)

**Fig. 5**



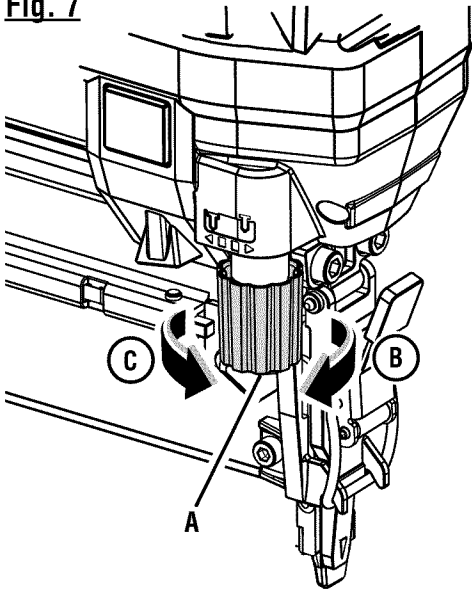
- A - Brad nails (clous à parquet, puntillas)

**Fig. 6**



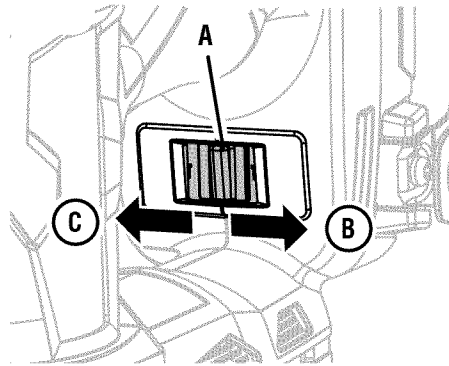
- A - Air pressure dial (cuadrante de presión de aire)
- B - Index arrow (flecha indicadora)
- C - Decrease pressure (disminuir la presión)
- D - Increase pressure (aumentar la presión)

**Fig. 7**



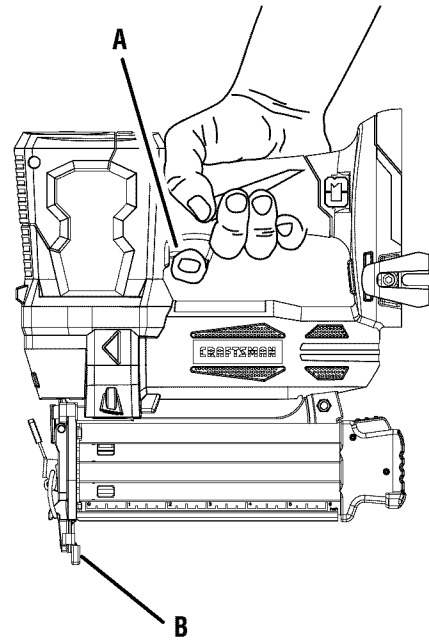
- A - Depth of drive adjustment (ajuste de la profundidad de introducción)
- B - To increase depth (para aumentar la profundidad)
- C - To decrease depth (para disminuir la profundidad)

**Fig. 8**



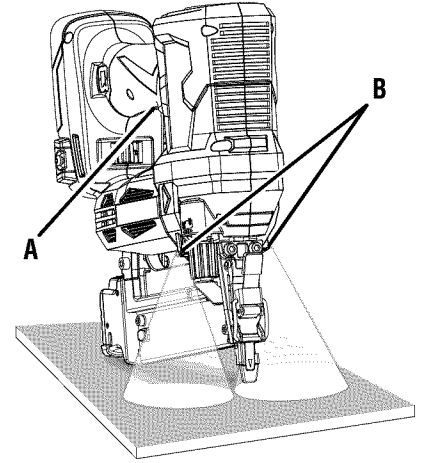
- A - Mode selector (selector de modo)
- B - Single sequential mode (accionamiento por contacto)
- C - Contact actuation mode (para disminuir la profundidad)

**Fig. 9**



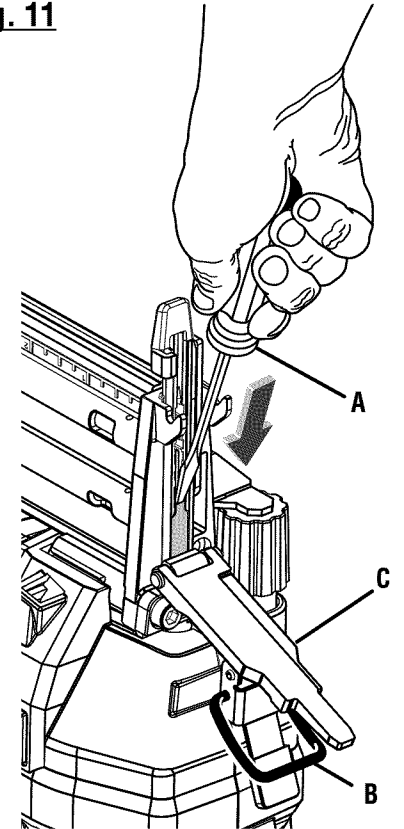
- A - Trigger (gatillo)
- B - Workpiece contact (disparador de contacto)

**Fig. 10**



- A - LED worklight grip switch (interruptor del mango con luz LED)
- B - LED worklights (luces de trabajo de LED)

**Fig. 11**



- A - Screwdriver (destornillador)
- B - Latch (pestillo)
- C - Jam release (soltador)

# ADVERTENCIAS DE SEGURIDAD PARA HERRAMIENTAS ELÉCTRICAS

**⚠ ADVERTENCIA** Lea todas las advertencias de seguridad y las instrucciones. El incumplimiento de las advertencias e instrucciones puede ocasionar descarga eléctrica, fuego o lesiones graves.

**Guarde todas las advertencias e instrucciones para futuras consultas.** El término “herramienta eléctrica” empleado en todos los avisos de advertencia enumerados abajo se refiere a las herramientas eléctricas de cordón (alámbricas) y de baterías (inalámbricas).

## SEGURIDAD EN EL ÁREA DE TRABAJO

- **Mantenga limpia y bien iluminada el área de trabajo.** Un área de trabajo mal despejada o mal iluminada propicia accidentes.
- **No utilice herramientas motorizadas en atmósferas explosivas, como las existentes alrededor de líquidos, gases y polvos inflamables.** Las herramientas eléctricas generan chispas que pueden encender el polvo y los vapores inflamables.
- **Mantenga alejados a los niños y circunstancias al maniobrar una herramienta eléctrica.** Toda distracción puede causar pérdida del control de la herramienta.

## SEGURIDAD ELÉCTRICA

- **Las clavijas de las herramientas eléctricas deben corresponder a las tomas de corriente donde se conectan. Nunca modifique la clavija de ninguna forma. No utilice ninguna clavija adaptadora con herramientas eléctricas dotadas de contacto a tierra.** Conectando las clavijas originales en las tomas de corriente donde corresponden se disminuye el riesgo de una descarga eléctrica.
- **Evite el contacto del cuerpo con las superficies de objetos que estén haciendo tierra o estén conectados a ésta, como tuberías, radiadores, estufas y refrigeradores.** Existe un mayor riesgo de descargas eléctricas si el cuerpo está haciendo tierra.
- **No exponga las herramientas eléctricas a la lluvia ni a condiciones de humedad.** La introducción de agua en una herramienta eléctrica aumenta el riesgo de descargas eléctricas.
- **No maltrate el cordón eléctrico. Nunca utilice el cordón para trasladar, desconectar o tirar de la herramienta eléctrica. Mantenga el cordón alejado del calor, del aceite, de bordes afilados y de piezas móviles.** Los cordones eléctricos dañados o enredados aumentan el riesgo de descargas eléctricas.
- **Al utilizar una herramienta eléctrica a la intemperie, use un cordón de extensión apropiado para el exterior.** Usando un cordón adecuado para el exterior se disminuye el riesgo de descargas eléctricas.

- **Si debe operar una herramienta en lugares húmedos, use un suministro protegido por un interruptor de circuito con pérdida a tierra (GFCI).** El uso de un GFCI reduce el riesgo de descargas eléctricas.
- **Cargue las baterías solamente con el cargador indicado. Para utilizar con paquetes de baterías de níquel-cadmio de 19,2 V o de iones de litio de 19,2 V, consulte el folleto de la herramienta/aparato/paquete de baterías/cargador complementario 988000-272.**

## SEGURIDAD PERSONAL

- **Permanezca alerta, preste atención a lo que esté haciendo y aplique el sentido común al utilizar herramientas eléctricas. No utilice la herramienta eléctrica si está cansado o se encuentra bajo los efectos de alguna droga, alcohol o medicamento.** Un momento de inatención al utilizar una herramienta eléctrica puede causar lesiones corporales serias.
- **Use equipo de seguridad. Siempre póngase protección ocular.** El uso de equipo de seguridad como mascarilla para el polvo, calzado de seguridad, casco y protección para los oídos en las circunstancias donde corresponda disminuye el riesgo de lesiones.
- **Evite un arranque accidental de la unidad. Asegúrese de que el interruptor esté en la posición de apagado antes de conectar la herramienta.** Portar las herramientas eléctricas con el dedo en el interruptor, o conectarlas con el interruptor puesto, propicia accidentes.
- **Retire toda llave o herramienta de ajuste antes de encender la herramienta eléctrica.** Toda llave o herramienta de ajuste dejada en una pieza giratoria de la herramienta eléctrica puede causar lesiones.
- **No estire el cuerpo para alcanzar mayor distancia. Mantenga una postura firme y buen equilibrio en todo momento.** De esta manera se logra un mejor control de la herramienta eléctrica en situaciones inesperadas.
- **Vístase adecuadamente. No vista ropas holgadas ni joyas. Mantenga el cabello, la ropa y los guantes alejados de las piezas móviles.** Las ropas holgadas, las joyas y el cabello largo pueden engancharse en las piezas móviles.
- **Si se suministran dispositivos para conectar mangueras de extracción y captación de polvo, asegúrese de que éstas estén bien conectadas y se usen correctamente.** La utilización de captador de polvo puede disminuir los peligros relacionados con el polvo.



# ADVERTENCIAS DE SEGURIDAD PARA HERRAMIENTAS ELÉCTRICAS

- **No vista ropas holgadas ni joyas. Recójase el cabello si está largo.** Las ropas holgadas y las joyas, así como el cabello largo, pueden resultar atraídas hacia el interior de las aberturas de ventilación.
- **No utilice la unidad al estar en una escalera o en un soporte inestable.** Una postura estable sobre una superficie sólida permite un mejor control de la herramienta eléctrica en situaciones inesperadas.

## EMPLEO Y CUIDADO DE LA HERRAMIENTA ELÉCTRICA

- **No fuerce la herramienta eléctrica. Utilice la herramienta eléctrica adecuada para cada trabajo.** La herramienta eléctrica adecuada efectúa mejor y de manera más segura el trabajo, si además se maneja a la velocidad para la que está diseñada.
- **No utilice la herramienta si el interruptor no enciende o no apaga.** Cualquier herramienta eléctrica que no pueda controlarse con el interruptor es peligrosa y debe repararse.
- **Desconecte la clavija del suministro de corriente o retire el paquete de baterías de la herramienta eléctrica, según sea el caso, antes de efectuarle cualquier ajuste, cambiarle accesorios o guardarla.** Tales medidas preventivas de seguridad reducen el riesgo de poner en marcha accidentalmente la herramienta.
- **Guarde las herramientas eléctricas desocupadas fuera del alcance de los niños y no permita que las utilicen personas no familiarizadas con las mismas o con estas instrucciones.** Las herramientas eléctricas son peligrosas en manos de personas no capacitadas en el uso de las mismas.
- **Preste servicio a las herramientas eléctricas. Revise para ver si hay desalineación o atoramiento de piezas móviles, ruptura de piezas o cualquier otra condición que pueda afectar el funcionamiento de la herramienta. Si está dañada la herramienta eléctrica, permita que la reparen antes de usarla.** Numerosos accidentes son causados por herramientas eléctricas mal cuidadas.
- **Mantenga las herramientas de corte afiladas y limpias.** Las herramientas de corte bien cuidadas y con bordes bien afilados, tienen menos probabilidad de atascarse en la pieza de trabajo y son más fáciles de controlar.

- **Utilice la herramienta eléctrica, los accesorios y brocas, hojas y cuchillas de corte, ruedas de esmeril, etc. de conformidad con estas instrucciones, tomando en cuenta las condiciones de trabajo y la tarea por realizar.** Si se utiliza la herramienta eléctrica para operaciones diferentes de las indicadas podría originar una situación peligrosa.

## EMPLEO Y CUIDADO DE LA HERRAMIENTA DE BATERÍAS

- **Sólo cargue el paquete de baterías con el cargador especificado por el fabricante.** Un cargador adecuado para un tipo paquete de baterías puede significar un riesgo de incendio si se emplea con un paquete de baterías diferente.
- **Utilice las herramientas eléctricas sólo con los paquetes de baterías específicamente indicados.** El empleo de paquetes de baterías diferentes puede presentar un riesgo de incendio.
- **Cuando no esté utilizándose el paquete de baterías, manténgalo lejos de otros objetos metálicos, como clips, monedas, llaves, clavos, tornillos o otros objetos metálicos, pequeños que puedan establecer conexión entre ambas terminales.** Establecer una conexión directa entre las dos terminales de las baterías puede causar quemaduras o incendios.
- **Si se maltratan las baterías, puede derramarse líquido de las mismas; evite todo contacto con éste. En caso de contacto, lávese con agua. Si el líquido llega a tocar los ojos, además busque atención médica.** El líquido de las baterías puede causar irritación y quemaduras.

## SERVICIO

- **Permita que un técnico de reparación calificado preste servicio a la herramienta eléctrica, y sólo con piezas de repuesto idénticas.** De esta manera se mantiene la seguridad de la herramienta eléctrica.
- **Al dar servicio a una herramienta eléctrica, sólo utilice piezas de repuesto idénticas. Siga las instrucciones señaladas en la sección Mantenimiento de este manual.** El empleo de piezas no autorizadas o el incumplimiento de las instrucciones de mantenimiento puede significar un riesgo de descarga eléctrica o de lesiones.

# ADVERTENCIAS DE SEGURIDAD PARA CLAVADORA

- **Siempre suponga que la herramienta contiene sujetadores (clavos o grapas, según sea el caso).** El manejo descuidado de la clavadora puede hacer que se accione el gatillo inesperadamente y que se disparen sujetadores que podrían causar lesiones personales.
- **No apunte la herramienta hacia su cuerpo ni hacia otra persona que se encuentre cerca.** Un accionamiento inesperado del gatillo disparará el sujetador y eso causará lesiones.
- **No accione la herramienta a menos que esté firmemente colocada contra la pieza de trabajo.** Si la herramienta no entra en contacto con la pieza de trabajo, el sujetador puede desviarse.
- **Desconecte la herramienta de la fuente de alimentación cuando los atascos de sujeción de la herramienta.** Al retirar un sujetador atascado, el atacante puede ser activado accidentalmente si está enchufado.
- **Sea precavido al retirar el sujetador atascado.** El mecanismo puede encontrarse sometido a compresión y el sujetador podría salir disparado con fuerza al tratar de arreglar un atascamiento.
- **No utilice esta clavadora para sujetar cables de electricidad.** No está diseñada para la instalación de cables de electricidad y puede dañar el aislamiento de los cables y causar descargas eléctricas o riesgo de incendio.
- **Sujete la herramienta eléctrica por las superficies aisladas de sujeción al efectuar una operación en la cual el sujetador pueda entrar en contacto con cables ocultos.** Si los sujetadores tocan cables con corriente, las piezas metálicas expuestas de la herramienta eléctrica pueden transportar corriente y ocasionar así una descarga eléctrica al operador.
- **Familiarícese con su herramienta eléctrica. Lea cuidadosamente el manual del operador. Aprenda sus usos y limitaciones, así como los posibles peligros específicos de esta herramienta eléctrica.** Con el cumplimiento de esta regla se reduce el riesgo de una descarga eléctrica, incendio o lesión seria.
- **Siempre póngase protección ocular con protección lateral con la marca de cumplimiento de la norma ANSI Z87.1.** Los anteojos comunes solo tienen lentes resistentes a los impactos. No son gafas de seguridad. Con el cumplimiento de esta regla se reduce el riesgo de lesiones corporales serias.
- **Al cargar, utilizar y dar servicio a esta herramienta, el operador y demás personas SIEMPRE deben llevar puesta protección ocular que cumpla con las especificaciones ANSI y ofrezca protección contra partículas que salgan disparadas del FRENTE y de los LADOS.** Se requiere protección ocular como protección contra sujetadores y desechos que salgan disparados, los cuales pueden causar lesiones oculares serias.
- **Tanto el patrón como el operador deben asegurarse de que se use protección ocular adecuada.** Recomendamos la careta protectora de visión amplia encima de los anteojos normales o de los anteojos de seguridad que ofrecen protección frontal y lateral contra partículas que salen disparadas. Siempre póngase protección ocular con la marca de cumplimiento de la norma ANSI Z87.1.
- **En algunos entornos se requiere protección adicional.** Por ejemplo, en el área de trabajo puede haber exposición a un nivel de ruido que puede dañar el oído. El patrón y el operador deben asegurarse de contar con toda la protección auditiva necesaria y de que sea usada por el operador mismo y demás personas presentes en el área de trabajo. En algunos entornos se requiere el uso de equipo de protección para la cabeza. Cuando se requiera, el patrón y el operador deben asegurarse de que la protección usada para la cabeza cumpla con la norma ANSI Z89.1-1997.
- **Protéjase los pulmones. Use una careta o mascarilla contra el polvo si la operación genera mucho polvo.** Con el cumplimiento de esta regla se reduce el riesgo de lesiones serias.
- **Protéjase los oídos. Durante períodos prolongados de utilización del producto, póngase protección para los oídos.** Con el cumplimiento de esta regla se reduce el riesgo de lesiones corporales serias.
- **No se necesita conectar a una toma de corriente las herramientas de baterías; por lo tanto, siempre están en condiciones de funcionamiento. Esté consciente de los posibles peligros cuando no esté usando la herramienta de baterías o cuando esté cambiando los accesorios de la misma.** Con el cumplimiento de esta regla se reduce el riesgo de una descarga eléctrica, incendio o lesión corporal seria.
- **No coloque herramientas de baterías ni las baterías mismas cerca del fuego o del calor.** De esta manera se reduce el riesgo de explosiones y de lesiones.
- **Solamente utilice esta herramienta para el propósito especificado.** No dispare sujetadores al aire.
- **Use la herramienta neumática solamente para el propósito para el que fue diseñada.** Con el cumplimiento de esta regla se reduce el riesgo de una descarga eléctrica, incendio o lesión corporal seria.
- **Solamente utilice los sujetadores recomendados para esta herramienta.** El uso de los sujetadores incorrectos podría hacer que los sujetadores no avancen bien, que se atoren y que los clavos no salgan de la herramienta siempre al mismo ángulo. Si los sujetadores no avanzan de manera uniforme y correcta, interrumpa su uso de inmediato. Los sujetadores atorados que avanzan de manera incorrecta pueden provocar lesiones serias.
- **Nunca utilice esta herramienta de ninguna forma que pueda dirigir un sujetador hacia ninguna otra cosa que no sea la pieza de trabajo.**
- **No use la herramienta como martillo.**
- **Siempre porte la herramienta por el mango.**
- **No altere ni modifique esta herramienta con respecto al diseño o funcionamiento original sin la aprobación del fabricante.**
- **Siempre tenga presente que el uso y manejo indebidos de esta herramienta puede causarles lesiones a usted y a otras personas.**
- **Nunca sujete con prensa o cinta adhesiva el gatillo ni el disparador de contacto en la posición de accionamiento.**
- **Nunca deje desatendida ninguna herramienta con la batería instalada.**
- **No utilice esta herramienta si no tiene una etiqueta de advertencia.**

# ADVERTENCIAS DE SEGURIDAD PARA CLAVADORA

## FUNCIONAMIENTO

- **No utilice la herramienta si no funciona correctamente el gatillo.** Una herramienta que no pueda controlarse con el gatillo es peligrosa y debe repararse.
- **Verifique con frecuencia el funcionamiento del mecanismo del disparador de contacto.** No use la herramienta si no está funcionando correctamente el mecanismo del disparador de contacto, ya que puede causarse por accidente el disparo de un sujetador. No interfiera en el funcionamiento normal del mecanismo del disparador de contacto.
- **Sólo utilice los sujetadores recomendados para cada modelo en particular.**
- **Siempre suponga que la herramienta contiene sujetadores.**
- **No traslade la herramienta de un lugar a otro con el dedo en el gatillo.** Podría producirse un disparo accidental.
- **Siempre maneje con cuidado la herramienta:**
  - Respete la herramienta como un elemento de trabajo.
  - Nunca participe en jugueteos.
  - Nunca tire del gatillo a menos que la punta de la herramienta esté dirigida hacia la superficie de trabajo.
  - Mantenga a las demás personas a una distancia segura de la herramienta mientras esté utilizándose ésta ya que puede ocurrir un accionamiento accidental de la misma, y posibles lesiones.
- **Es importante el método de disparo elegido. Estudie el manual, en el cual se describen las diferentes formas de disparar.**
- **Las herramientas están diseñadas para usarlas con una sola mano.** No sujete la herramienta por el frente del cargador. No ponga las manos, la cabeza ni ninguna otra parte del cuerpo cerca de la parte inferior del cargador, por donde salen los clavos de la herramienta, ya que se pueden producir lesiones serias.
- **No apunte la herramienta hacia usted mismo ni a ninguna otra persona, ya sea que contenga sujetadores o no.**
- **No accione la herramienta a menos que tenga la intención de introducir un sujetador en la pieza de trabajo.**
- **Siempre asegúrese de que el elemento de contacto con la pieza de trabajo esté totalmente colocada encima de ella.** Colocar el elemento de contacto con la pieza de trabajo solamente de manera parcial encima de ella podría causar que el sujetador no se introduzca en la pieza de trabajo por completo y provoque lesiones serias.
- **No introduzca clavos cerca del borde del material.** La pieza de trabajo puede partirse y causar que el clavo rebote y lesione a un compañero de trabajo. Tenga presente que el clavo puede seguir la fibra de la madera y salir inesperadamente por un lado de la pieza de trabajo.
- **No apunte la herramienta hacia usted mismo ni a ninguna otra persona, ya sea que contenga sujetadores o no.**
- **No accione la herramienta a menos que tenga la intención de introducir un sujetador en la pieza de trabajo.**
- **Siempre asegúrese de que el elemento de contacto con la pieza de trabajo esté totalmente colocada encima de ella.** Colocar el elemento de contacto con la pieza de trabajo solamente de manera parcial encima de ella podría causar que el sujetador no se introduzca en la pieza de trabajo por completo y provoque lesiones serias.
- **No introduzca clavos cerca del borde del material.** La pieza de trabajo puede partirse y causar que el clavo rebote y lesione a un compañero de trabajo. Tenga presente que el clavo puede seguir la fibra de la madera y salir inesperadamente por un lado de la pieza de trabajo.
- **Mantenga las manos y todas las partes del cuerpo lejos del área de trabajo inmediata.** Sujete firmemente la pieza de trabajo con prensas de mano cuando sea necesario para proteger las manos y el cuerpo de todo posible peligro. Asegúrese de que la pieza de trabajo esté debidamente asegurada antes de presionar la clavadora contra el material. El disparador de contacto puede causar un movimiento inesperado de la pieza de trabajo.
- **Mantenga la cara y las demás partes del cuerpo lejos de la tapa de la herramienta al trabajar en espacios limitados.** En una retracción súbita la herramienta puede golpear el cuerpo, especialmente al clavar en material duro o denso.
- **Durante el uso normal de la herramienta, ésta se retrae de inmediato después de introducir un sujetador. Así es el funcionamiento normal de la herramienta.** No intente impedir la retracción presionando la clavadora contra la pieza de trabajo. Toda restricción impuesta a la retracción puede producir la impulsión de un segundo sujetador en la clavadora. Sujete firmemente el mango, permita a la herramienta que haga el trabajo y no coloque la otra mano encima de la herramienta ni cerca del escape de aire en ningún momento. La inobservancia de esta advertencia puede causar lesiones corporales serias.
- **No introduzca sujetadores encima de otros, ni con la herramienta a un ángulo excesivamente pronunciado, ya que esto puede causar la desviación de los sujetadores y con ello posibles lesiones.**

## CÓMO CARGAR LA HERRAMIENTA




- **No cargue los sujetadores en la herramienta cuando esté activado cualquiera de los controles de operación de la misma.**
- Al cargar la herramienta:**
- **Nunca coloque las manos ni ninguna parte del cuerpo en el área de la herramienta donde sale disparado el sujetador (clavo o grapa, según sea el caso).**
  - **Nunca apunte la herramienta a nadie.**
  - **No tire del gatillo ni oprima el disparador de contacto, ya que puede accionarse accidentalmente la herramienta y causar lesiones.** salir inesperadamente por un lado de la pieza de trabajo.

## GUARDE ESTAS INSTRUCCIONES







- **Consúltelas con frecuencia y empléelas para instruir a otras personas que puedan utilizar esta herramienta. Si presta a alguien esta herramienta, facilítele también las instrucciones.**

# SÍMBOLOS

Las siguientes palabras de señalización y sus significados tienen el objeto de explicar los niveles de riesgo relacionados con este producto.

SÍMBOLO	SEÑAL	SIGNIFICADO
	<b>PELIGRO:</b>	Indica una situación peligrosa inminente, la cual, si no se evita, causará la muerte o lesiones serias.
	<b>ADVERTENCIA:</b>	Indica una situación peligrosa posible, la cual, si no se evita, podría causar la muerte o lesiones serias.
	<b>PRECAUCIÓN:</b>	Indica una situación peligrosa posible, la cual, si no se evita, podría causar lesiones menores o leves.
	<b>AVISO:</b>	(Sin el símbolo de alerta de seguridad) Indica información importante no relacionada con ningún peligro de lesiones, como una situación que puede ocasionar daños físicos.

Es posible que se empleen en este producto algunos de los siguientes símbolos. Le suplicamos estudiarlos y aprender su significado. Una correcta interpretación de estos símbolos le permitirá utilizar mejor y de manera más segura el producto.

SÍMBOLO	NOMBRE	DENOMINACIÓN/EXPLICACIÓN
	Alerta de seguridad	Indica un peligro posible de lesiones personales.
	Lea el manual del operador	Para reducir el riesgo de lesiones, el usuario debe leer y comprender el manual del operador antes de usar este producto.
	Protección ocular	Siempre póngase protección ocular con la marca de cumplimiento de la norma ANSI Z87.1.
	Mantenga lejos las manos	Mantenga las manos y el resto del cuerpo lejos del área de la herramienta por donde sale disparado el sujetador.
	Alerta de condiciones húmedas	No exponga la unidad a la lluvia ni la use en lugares húmedos.
	Símbolos de reciclado	Este producto contiene baterías de níquel-cadmio (Ni-Cd) o iones de litio (Li-ion). Es posible que algunas leyes municipales, estatales o federales prohíban desechar las baterías en la basura normal. Consulte a las autoridades reguladoras de desechos para obtener información en relación con las alternativas de reciclado y desecho disponibles.
V	Volts	Voltaje
min	Minutos	Tiempo
==	Corriente continua	Tipo o característica de corriente
n <sub>0</sub>	Velocidad en vacío	Velocidad de rotación, en vacío
.../min	Por minuto	Revoluciones, carreras, velocidad superficial, órbitas, etc., por minuto

# GLOSARIO DE TÉRMINOS

## Activar (los controles de accionamiento)

Es mover un control de accionamiento de manera que quede en una posición en la cual se accione la herramienta o cumpla con un requisito necesario para accionar la misma.

## Accionar (la herramienta)

Es producir el movimiento de los componentes de la herramienta específicos para introducir un sujetador (clavo o grapa, según sea el caso).

## Sistema de accionamiento

Es el gatillo, el disparador de contacto o cualquier otro control de accionamiento, empleado(s) por separado o en alguna combinación o secuencia, para accionar la herramienta.

### • Accionamiento secuencial sencillo

Es un sistema de accionamiento en el cual hay más de un control de accionamiento y éstos deben ser activados en una secuencia específica para accionar la herramienta. Puede ocurrir un accionamiento adicional cuando un control de accionamiento específico, que no sea el disparador de contacto, se suelta y se vuelve a activar.

### • Accionamiento por contacto

Es un sistema de accionamiento en el cual hay más de un control de accionamiento y éstos pueden ser activados en cualquier secuencia para accionar

la herramienta. Puede ocurrir un accionamiento adicional cuando cualquier control de accionamiento se suelta y se vuelve a activar.

## Sujetador

Es una grapa, clavo, puntilla o cualquier otra pieza de unión diseñada y fabricada para utilizarse en las herramientas de este tipo.

## Atoramiento

Es una obstrucción en las zonas de alimentación o introducción de sujetadores (clavos o grapas, según sea el caso) de la herramienta.

## Control de accionamiento

Es un control que, por separado o como parte de un sistema de accionamiento de una herramienta, sirve para accionarla.

## Gatillo

Es un control de accionamiento de una herramienta el cual maneja con los dedos el operador.

## Pieza de trabajo

Es el objeto específico en el cual se introduce un sujetador (clavo o grapa, según sea el caso) con una herramienta.

## Disparador de contacto

Es un elemento de control de accionamiento o un conjunto de tales elementos, el cual es activado al tocar el material en el que va a introducirse el sujetador.

# CARACTERÍSTICAS

## ESPECIFICACIONES DEL PRODUCTO

Motor.....19,2 V, corr. cont.

Capacidad del cargador..... 105 clavos


Velocidad de clavado de los sujetadores.....


.....hasta 60 disparos/min.

Tipo de sujetador ..... Calibre 18

Longitud de los clavos de puntilla..... 5/8 a 2 pulg.


# ARMADO


 **ADVERTENCIA:** No use este producto si no está totalmente ensamblado o si alguna pieza falta o está dañada. El uso de un producto que no está adecuadamente y completamente ensamblado o posee partes dañadas o faltantes puede resultar en lesiones personales graves.


 **ADVERTENCIA:** No intente modificar este producto ni crear aditamentos o accesorios que no estén recomendados para usar con este producto. Dichas alteraciones o modificaciones constituyen un uso indebido y podrían provocar una situación de riesgo que cause posibles lesiones personales graves.


Si hay piezas dañadas o faltantes, le suplicamos llamar al 1-800-932-3188, donde le brindaremos asistencia.

# FUNCIONAMIENTO

 **ADVERTENCIA:** No permita que su familiarización con las herramientas lo vuelva descuidado. Tenga presente que un descuido de un instante es suficiente para causar una lesión grave.

 **ADVERTENCIA:** Retire siempre el paquete de baterías de la herramienta antes de instalar las piezas, realizar ajustes, limpiarla o cuando no la utilice. Retirar el paquete de baterías evitará que la unidad se accione accidentalmente y provoque lesiones graves.

 **ADVERTENCIA:** Siempre póngase protección ocular con protección lateral con la marca de cumplimiento de la norma ANSI Z87.1. La inobservancia de esta advertencia puede permitir que los objetos lanzados hacia los ojos puedan provocar lesiones graves.

 **ADVERTENCIA:** No utilice ningún aditamento o accesorio no recomendado por el fabricante de esta herramienta. El empleo de aditamentos o accesorios no recomendados puede causar lesiones serias.

## APLICACIONES

Esta herramienta puede emplearse para los fines enumerados abajo:

- Acabado y ornamentación (interior y exterior)
- Marcos de puertas y ventanas
- Jambas de puertas
- Rodapiés
- Molduras de corona
- Ebanistería
- Molduras de dinteles y umbrales
- Molduras
- Escaleras
- Ornamentación de puertas y ventanas
- Guardasillas
- Moldura entre marco y hormigón
- Pisos de madera
- Paneles
- Mobiliario

## CONECTAR EL GANCHO DE LA CORREA

*Vea la figura 1, página i.*

El gancho de la correa se puede colocar del lado izquierdo o derecho de la clavadora, según la preferencia del operador.

- Alinee el gancho de la correa y el tornillo con el orificio para el tornillo del lado izquierdo o derecho.
- Utilice un destornillador de cabeza Phillips (no se incluye) para ajustar firmemente.

## INSTALAR/DESMONTAJE DEL PAQUETE DE BATERÍAS

*Vea la figura 2, página i.*

### Para instalar el paquete de baterías:

- Alinee la costilla realizada del paquete de baterías con la ranura situada en el interior de la herramienta.
- Asegúrese de que los pestillos situados en ambos lados del paquete de baterías entren completamente en su lugar con un chasquido, y de que el paquete quede bien fijo en el taladro antes de empezar a utilizar éste.

**NOTA:** Apriete el interruptor del mango con luz LED para reactivar la clavadora.

### Desmontar el paquete de baterías:

- Localice los pestillos situados en el paquete de baterías y oprímalo para soltar el paquete de baterías de la herramienta.

Para ver las instrucciones de carga completas, consulte el manual del operador de los paquetes de baterías y cargadores.

## ALMOHADILLA PROTECTORA

*Vea la figura 3, página i.*


La almohadilla protectora montada en la punta de la herramienta evita dañar y marcar las maderas suaves con la herramienta.


- Retire el paquete de baterías.
- Retire la almohadilla jalándola hacia abajo mientras la aleja de la punta.
- Para volver a colocar la almohadilla, acomódela en su lugar sobre la punta de la herramienta y empújela hacia arriba para volver a asentarla.

Hay un lugar para guardar la almohadilla en el cargador de la herramienta. En el área de guardar de la herramienta se suministra una almohadilla protectora adicional.

## CARGA DE LAS PUNTILLAS EN LA HERRAMIENTA

*Vea las figuras 4 y 5, página i.*

 **ADVERTENCIA:** Solamente utilice las puntillas recomendadas para esta herramienta. Si se utilizan otras grapas puede producirse un malfuncionamiento de la herramienta y posibles lesiones serias.

 **ADVERTENCIA:** Mantenga la herramienta apuntando en la dirección opuesta a donde se encuentra usted y otras personas mientras carga los clavos. La inobservancia de esta advertencia puede causar lesiones serias.

- Retire el paquete de baterías, si está instalado.
- Con la punta de la herramienta en dirección opuesta a su cuerpo, presione el botón para soltar el cargador que se encuentra en la parte trasera del cargador y deslice la tapa del cargador para abrirlo.

# FUNCIONAMIENTO

- Coloque clavos de puntilla en el canal con las puntas de los clavos hacia abajo y apoyadas sobre la parte inferior del canal.
- Coloque clavos de puntilla en el canal con las puntas de los clavos hacia abajo y apoyadas sobre la parte inferior del canal.
- Asegúrese de que el cargador esté firmemente fijo en su lugar.
- Réinstalar el paquete de batería. y reactive la herramienta presionando el interruptor del mango con luz de trabajo.

## CÓMO RETIRAR LOS CLAVOS DE LA HERRAMIENTA

- Retire de la herramienta.
- Presione el botón para soltar el cargador.
- Extraiga los clavos y cierre el cargador.

## AJUSTE DE LA PRESIÓN DE AIRE

*Vea la figura 6, página ii.*

La cantidad presión de aire requerida depende del tamaño de los clavos y del material de la pieza de trabajo.

Comience por probar la profundidad de penetración introduciendo un clavo de prueba en el mismo tipo de material de la pieza de trabajo que va a usarse en el trabajo real.

- Retire el paquete de baterías, si está instalado.
- Gire el cuadrante de la presión de aire en sentido horario para aumentar la presión de aire, o en sentido antihorario para reducirla.

Puede ser posible lograr la profundidad deseada solamente con ajustes en la presión de aire. Si se necesitan ajustes más finos, use el ajuste de profundidad de penetración de la herramienta.

**NOTA:** En determinadas condiciones, es posible que la unidad no pueda aplicar un clavo cuando se lleve el indicador de presión de aire al ajuste MÁXIMO de presión. Es posible que el usuario deba reducir el ajuste de presión para la operación deseada.

## AJUSTE DE LA PROFUNDIDAD DE PENETRACIÓN

*Vea la figura 7, página ii.*

La profundidad de penetración de los calvos se puede ajustar no solo mediante la presión de aire.

Se recomienda probar la profundidad de penetración en un fragmento de desecho para determinar la profundidad requerida para cada aplicación.

Para determinar la profundidad de penetración, primero ajuste la presión de aire y luego introduzca un clavo de prueba. Para lograr la profundidad deseada, use el ajuste de profundidad de penetración de la herramienta. Con materiales más duros y clavos más largos se requiere más fuerza.

- Retire de la herramienta el paquete de baterías, de estar instalado.
- Gire el control del ajuste de la profundidad de penetración hacia la izquierda o la derecha para cambiar la profundidad de penetración.
- Réinstalar el paquete de batería y reactive la herramienta presionando el interruptor del mango con luz de trabajo.
- Después de cada ajuste, introduzca un clavo de prueba hasta lograr la profundidad deseada.  
**NOTA:** Fije la profundidad de penetración en el valor más bajo que le permita cumplir con sus objetivos.

## APLICACIÓN DE CLAVOS DE PUNTILLA

*Vea las figuras 8 y 9, página ii.*

**⚠ ADVERTENCIA:** Nunca detenga con una cuña ni de ninguna otra forma el mecanismo del disparador de contacto al utilizar la herramienta. La inobservancia de esta advertencia puede causar lesiones serias.

El selector de modo permite que el operador elija entre el accionamiento secuencial simple para colocar clavos con precisión y el accionamiento por contacto para aumentar la productividad.

La herramienta aplicará un clavo cada vez que se presione el gatillo, siempre que se active el contacto con la pieza de trabajo.

### Modo de accionamiento secuencial sencillo:

El accionamiento secuencial sencillo permite lograr la colocación más exacta del sujetador.

- Retire de la herramienta el paquete de baterías.
- Deslice el selector a la posición **(T)**.

**⚠ ADVERTENCIA:** La clavadora no funcionará correctamente si el selector no está asentado firmemente en la posición **(T)** o en la posición **(TTT)**. Asegúrese siempre de que el selector esté bien asentado para evitar aplicaciones inesperadas de clavos y posibles lesiones personales de gravedad.

- Réinstalar el paquete de batería.
- Sujete firmemente la herramienta para mantener el control. Coloque la punta de la herramienta en la superficie de trabajo.
- Oprima el gatillo y no lo suelte.  
**NOTA:** Sostenga el gatillo hasta que se haya completado un ciclo de conducción.
- Retire siempre el dedo del gatillo cuando se haya aplicado la cantidad de clavos deseada.

# FUNCIONAMIENTO

## Modo de accionamiento por contacto:

El accionamiento por contacto permite la colocación repetitiva de sujetadores a velocidad muy rápida.

- Retire de la herramienta el paquete de baterías.
- Deslice el selector a la posición (TTT).
- Réinstalar el paquete de batería.
- Sujete firmemente la herramienta para mantener el control.
- Oprima el gatillo y no lo suelte. Oprima la herramienta contra la superficie de trabajo para oprimir el disparador de contacto e introducir un sujetador.

**NOTA:** Sostenga el gatillo hasta que se haya completado un ciclo de conducción.

- Retire siempre el dedo del gatillo cuando se haya aplicado la cantidad de clavos deseada.

**NOTA:** En el modo de accionamiento por contacto, la herramienta puede accionarse también presionando el disparador de contacto contra la superficie y oprimiendo el gatillo.

## SEGURO DE DISPARO EN SECO

El seguro de disparo en seco impide el accionamiento de la herramienta cuando hay pocos sujetadores en la herramienta, con el fin de evitar falten sujetadores en el patrón de clavado

Las ventanas abiertas del cargador muestran cuántos clavos quedan en la herramienta.

Cuando el magazín tiene 0-5 clavos restantes, el seguro de disparo en seco no permite continuar utilizando la herramienta.

Para volver a utilizar la herramienta, vuelva a cargarla con clavos.

## LUCES DE TRABAJO DE DIODOS LUMINISCENTES (LED)/ LECTURAS DE DIAGNÓSTICO

*Vea la figura 10, página ii.*

Las luces de trabajo LED sirven de lecturas para indicar si el paquete de baterías tiene suficiente carga y si la herramienta está funcionando correctamente.

Para encender las luces de trabajo, presione el interruptor del mango con luz de trabajo LED mientras sujeta firmemente la herramienta en condiciones normales de operación.

Si las luces de trabajo titilan, coloque una batería con plena carga. Si las luces siguen titilando, consulte la sección Solución de problemas para obtener más información.

## CÓMO QUITAR UN CLAVO DE PUNTILLA ATASCADO

*Vea la figura 11, página ii.*

**⚠ ADVERTENCIA:** Retire de la herramienta el paquete de baterías antes de retirar los clavos. La inobservancia de esta advertencia puede causar lesiones serias.

- Retire el paquete de baterías de la herramienta.
- Abra el cargador y retire de los clavos.
- Tire del pestillo hacia arriba y abra el soltador.
- Introduzca un destornillador de punta plana en el mecanismo de impulsión y empuje este mecanismo hacia atrás, para desalojar el clavo atorado.
- Extraiga el clavo doblado.
- Cierre el soltador y el pestillo.
- Vuelva a colocar los clavos y cierre el cargador.

**NOTA:** El exceso de profundidad de clavado, el exceso de residuos o los clavos atorados pueden hacer que la hoja de empuje se atore en su posición inferior.

Usualmente, se podrá hacer regresar la hoja de empuje a su posición operativa ejerciendo presión sobre el elemento que entra en contacto con la pieza de trabajo contra un trozo de madera de desecho y presionando el gatillo.

## CALIFORNIA - PROPUESTA DE LEY NÚM. 65

**⚠ ADVERTENCIA:** Este producto y algunos polvos generados al efectuarse operaciones de lijado eléctrico, aserrado, esmerilado y taladrado, y otras actividades de construcción, pueden contener sustancias químicas, incluido el plomo, que se conoce que causan cáncer, defectos congénitos u otras afecciones del aparato reproductor. **Lávese las manos después de manejar la unidad.** Algunos ejemplos de estas sustancias químicas son:

- plomo de las pinturas a base de plomo,
- silicio cristalino de los ladrillos, del cemento y de otros productos de mampostería, y
- arsénico y cromo de la madera químicamente tratada.

El riesgo de la exposición a estos compuestos varía, según la frecuencia con que se realice este tipo de trabajo. Para reducir la exposición personal a este tipo de compuestos: trabaje en áreas bien ventiladas, y con equipo de seguridad aprobado, tal como las caretas para el polvo especialmente diseñadas para filtrar partículas microscópicas.



# MANTENIMIENTO

**⚠️ ADVERTENCIA:** Al dar servicio a la herramienta, utilice solamente piezas de repuesto idénticas. El empleo de piezas diferentes puede implicar peligro o causar daños al producto.

**⚠️ ADVERTENCIA:** Siempre póngase protección ocular con protección lateral con la marca de cumplimiento de la norma ANSI Z87.1 junto con protección para los oídos. La inobservancia de esta advertencia puede permitir que los objetos lanzados hacia los ojos y otros provocar lesiones graves.

**⚠️ ADVERTENCIA:** Para evitar lesiones corporales graves, siempre retire el paquete de baterías de la herramienta al limpiarla, darle mantenimiento o guardarla.

## MANTENIMIENTO GENERAL

Evite el empleo de solventes al limpiar piezas de plástico. La mayor parte de los plásticos son susceptibles a diferentes tipos de solventes comerciales y pueden resultar dañados. Utilice paños limpios para eliminar la suciedad, polvo, aceite, grasa, etc.

**⚠️ ADVERTENCIA:** No permita en ningún momento que líquido para frenos, gasolina, productos a base de petróleo, aceites penetrantes, etc., entren en contacto con las piezas de plástico. Las sustancias químicas pueden dañar, debilitar o destruir el plástico, lo cual puede a su vez producir lesiones corporales graves.

# CORRECCIÓN DE PROBLEMA

PROBLEMA	CAUSA POSIBLE	SOLUCIÓN
El elemento que entra en contacto con la pieza de trabajo no baja por completo; la herramienta no funciona	Pocos clavos El elemento que entra en contacto con la pieza de trabajo está atascado	Vuelva a cargar clavos Retire la batería y limpie los restos de material
La herramienta funciona correctamente pero los sujetadores no se aplican bien	La presión de aire es demasiado baja La profundidad de penetración no es suficiente El clavo es demasiado largo para la dureza de la madera	Aumente la presión de aire Ajuste la profundidad de penetración Utilice clavos que tengan una longitud apropiada para la madera
La herramienta funciona correctamente pero los sujetadores penetran demasiado en la superficie de trabajo	La presión de aire es demasiado alta. La profundidad de penetración es excesiva	Reduzca la presión de aire. Ajuste la profundidad de penetración
La herramienta sufre atoramientos con frecuencia	Sujetadores inadecuados  Sujetadores dañados Está flojo el cargador o los tornillos de la punta Cargador sucio	Verifique que sean del tamaño correcto los sujetadores Cambie los sujetadores Apriete los tornillos  Limpie el cargador
La herramienta se detiene y las luces LED titilan rápidamente	La batería tiene poca carga o está descargada La herramienta está caliente	Vuelva a cargar la batería Deje enfriar la herramienta
Tool ha cargado la batería y el LED se parpadea lentamente o el LED no se apagan después de aproximadamente diez segundos de inactividad	La herramienta se averió	Lleve la herramienta al centro de reparación autorizado más cercano a su domicilio





# Get it fixed, at your home or ours!

## Your Home

For expert troubleshooting and home solutions advice:

manage  home

[www.managemyhome.com](http://www.managemyhome.com)

For repair – **in your home** – of **all** major brand appliances, lawn and garden equipment, or heating and cooling systems, **no matter who made it, no matter who sold it!**

For the replacement parts, accessories and owner's manuals that you need to do-it-yourself.

For Sears professional installation of home appliances and items like garage door openers and water heaters.

**1-800-4-MY-HOME<sup>®</sup>** (1-800-469-4663)

Call anytime, day or night (U.S.A. and Canada)

[www.sears.com](http://www.sears.com)    [www.sears.ca](http://www.sears.ca)

## Our Home

For repair of carry-in items like vacuums, lawn equipment, and electronics, call anytime for the location of your nearest

**Sears Parts & Repair Service Center**

**1-800-488-1222** (U.S.A.)    **1-800-469-4663** (Canada)

[www.sears.com](http://www.sears.com)

[www.sears.ca](http://www.sears.ca)

To purchase a protection agreement on a product serviced by Sears:

**1-800-827-6655** (U.S.A.)

**1-800-361-6665** (Canada)

Para pedir servicio de reparación a domicilio, y para ordenar piezas:

**1-888-SU-HOGAR<sup>®</sup>**

(1-888-784-6427)

Au Canada pour service en français:

**1-800-LE-FOYER<sup>MC</sup>**

(1-800-533-6937)

[www.sears.ca](http://www.sears.ca)

