

MLE21PD
MLG21PD
MLE21PN

INSTALLATION INSTRUCTIONS

COMMERCIAL STACKED
WASHER/DRYER
GAS OR ELECTRIC

INSTRUCTIONS D'INSTALLATION

LAVE-LINGE/SÈCHE-LINGE SUPERPOSÉS
À USAGE COMMERCIAL
À GAZ OU ÉLECTRIQUE

INSTRUCCIONES DE INSTALACIÓN

LAVADORA/SECADORA COMERCIALES
APILADAS A GAS O ELÉCTRICAS

ISTRUZIONI D'INSTALLAZIONE

LAVATRICE/ASCIUGATRICE
COMMERCIALE A COLONNA
A GAS O ELETTRICA

TABLE OF CONTENTS

	Page
Stacked Washer/Dryer Safety.....	3
Stacked Washer/Dryer Disposal	6
Tools & Parts	7
Alternate Parts and Accessories.....	8
Dimensions/Clearances	9
Stacked Washer/Gas Dryer Installation Requirements	10
Stacked Washer/Electric Dryer Installation Requirements	13
Dryer Venting Requirements	15
Dryer Gas Supply Requirements	17
Installing Stacked Washer/Dryer	18
Washer Drain System	21
Leveling	22
Complete Installation	23
Reversing Dryer Door Swing	24
Stacked Washer/Dryer Maintenance Instructions	26
If You Need Assistance	27
Technical Specifications – Gas Dryer	28
Electronic Control Setup Instructions	29
Warranty	35

TABLE DES MATIÈRES

	Page
Sécurité du lave-linge/sèche-linge superposés.....	36
Élimination du lave-linge/sèche-linge superposés.....	39
Outils et pièces	40
Pièces supplémentaires et accessoires	41
Dimensions/Distances de dégagement	42
Exigences d'installation pour le lave-linge/sèche-linge à gaz superposés.....	43
Exigences d'installation pour le lave-linge/sèche-linge électriques superposés	46
Exigences concernant l'évacuation du sèche-linge	48
Spécifications de l'alimentation en gaz du sèche-linge	51
Installation du lave-linge/sèche-linge superposés	52
Système d'évacuation du lave-linge.....	55
Nivellement	56
Achever l'installation	57
Inversion du sens d'ouverture de la porte du sèche-linge	58
Instructions d'entretien du lave-linge/ sèche-linge superposés	60
Si vous avez besoin d'assistance	61
Fiche technique – sèche-linge à gaz	62
Instructions de réglage du tableau de commande électronique	63
Garantie	70

ÍNDICE

	Página
Seguridad de la lavadora/secadora apiladas	71
Eliminación de la lavadora/secadora apiladas.....	74
Herramientas y piezas.....	75
Piezas y accesorios adicionales	76
Dimensiones y espacios libres	77
Requisitos de instalación de la lavadora/secadora a gas apiladas	78
Requisitos de instalación de la lavadora/ secadora eléctricas apiladas	81
Requisitos de ventilación de la secadora	83
Requisitos del suministro de gas de la secadora	86
Instalación de la lavadora/secadora apiladas.....	87
Sistema de desagüe de la lavadora	90
Nivelación	91
Complete la instalación	92
Cómo invertir el cierre de la puerta de la secadora	93
Instrucciones de mantenimiento de la lavadora/secadora apiladas	95
Si necesita ayuda	96
Especificaciones técnicas – secadora a gas	97
Instrucciones de programación del control electrónico	98
Garantía	105

INDICE

	Pagina
Sicurezza della lavatrice/asciugatrice impilati	106
L'eliminazione della lavatrice/asciugatrice impilati.....	109
Attrezzi e componenti	110
Parti ed accessori alternati.....	111
Dimensioni/spazi	112
Requisiti dell'installazione della lavatrice/asciugatrice a gas impilati	113
Requisiti dell'installazione della lavatrice/asciugatrice elettrica impilat	116
Requisiti di scarico dell'asciugatrice	118
Requisiti di alimentazione del gas dell'asciugatrice	120
Installazione della lavatrice/asciugatrice impilati.....	121
Sistema dello scolo della lavatrice	124
Livellamento	125
Completamento dell'installazione	126
Inversione della rotazione di apertura dell'asciugatrice	127
Istruzioni di manutenzione della lavatrice/ asciugatrice impilat.....	129
Se avete bisogno dell'assistenza	130
Dati tecnici – asciugatrice a gas	131
Configurazione dei controlli elettronici	132
Garanzia	139

STACKED WASHER/DRYER SAFETY

Your safety and the safety of others are very important.

We have provided many important safety messages in this manual and on your appliance. Always read and obey all safety messages.



This is the safety alert symbol.

This symbol alerts you to potential hazards that can kill or hurt you and others.

All safety messages will follow the safety alert symbol and either the word "DANGER" or "WARNING."

These words mean:

⚠ DANGER

You can be killed or seriously injured if you don't immediately follow instructions.

⚠ WARNING

You can be killed or seriously injured if you don't follow instructions.

All safety messages will tell you what the potential hazard is, tell you how to reduce the chance of injury, and tell you what can happen if the instructions are not followed.



WARNING - "Risk of Fire"

- Clothes dryer installation must be performed by a qualified installer.
- Install the clothes dryer according to the manufacturer's instructions and local codes.
- Do not install a clothes dryer with flexible plastic venting materials or flexible metal (foil type) duct. If flexible metal duct is installed, it must be of a specific type identified by the appliance manufacturer as suitable for use with clothes dryers. Flexible venting materials are known to collapse, be easily crushed, and trap lint. These conditions will obstruct clothes dryer airflow and increase the risk of fire.
- To reduce the risk of severe injury or death, follow all installation instructions.
- Save these instructions.

- It is recommended that the owner post, in a prominent location, instructions for the customer's use in the event the customer smells gas. This information should be obtained from your gas supplier.
- Post the following warning in a prominent location.

FOR YOUR SAFETY

1. DO NOT USE OR STORE PETROL OR OTHER FLAMMABLE MATERIALS IN THIS APPLIANCE OR NEAR THIS APPLIANCE.
2. DO NOT SPRAY AEROSOLS IN THE VICINITY OF THIS APPLIANCE WHILE IT IS IN OPERATION.
3. DO NOT MODIFY THIS APPLIANCE.



CAUTION – RISK OF FIRE/FLAMMABLE MATERIALS

This is an additional safety alert symbol that alerts you to the risk of fire.

STACKED WASHER/DRYER SAFETY

WARNING: For your safety, the information in this manual must be followed to minimize the risk of fire or explosion, or to prevent property damage, personal injury, or death.

- Do not store or use petrol or other flammable vapors and liquids in the vicinity of this or any other appliance.
- **WHAT TO DO IF YOU SMELL GAS:**
 - Do not try to light any appliance.
 - Do not touch any electrical switch; do not use any phone in your building.
 - Clear the room, building, or area of all occupants.
 - Immediately call your gas supplier from a neighbor's phone. Follow the gas supplier's instructions.
 - If you cannot reach your gas supplier, call the fire department.
- Installation and service must be performed by a qualified installer, service agency, or the gas supplier.

WARNING: Gas leaks cannot always be detected by smell.

For more information, contact your gas supplier.

If a gas leak is detected, follow the "What to do if you smell gas" instructions.

STACKED WASHER/DRYER SAFETY

IMPORTANT SAFETY INSTRUCTIONS

WARNING: To reduce the risk of fire, electric shock, or injury to persons when using the washer/dryer, follow basic precautions, including the following:

- Read all instructions before using the washer/dryer.
- This dryer is intended only for drying clothes and textiles that have been washed in water. Do not use for any other purpose.
- **WARNING:** If you smell gas, do not use the dryer or any electrical equipment nearby. Warn other people to clear the area. Contact the dryer owner immediately.
- Do not place items exposed to cooking oils in your dryer. Items contaminated with cooking oils may contribute to a chemical reaction that could cause a load to catch fire.
- If it is unavoidable that fabrics that contain vegetable or cooking oil or that have been contaminated by hair care products be placed in a tumble dryer, they should first be washed in hot water with extra detergent – this will reduce, but not eliminate the hazard.
- Do not wash or dry articles that have been previously cleaned in, washed in, soaked in, or spotted with petrol, dry-cleaning solvents, other flammable, or explosive substances as they give off vapors that could ignite or explode.
- Items that have been soiled with substances such as acetone, alcohol, petrol, kerosene, spot removers, turpentine, waxes, and wax removers should be washed in hot water with extra detergent before being dried in the dryer.
- Do not add gasoline, dry-cleaning solvents, or other flammable, or explosive substances to the wash water. These substances give off vapors that could ignite or explode.
- Do not dry unwashed items in the dryer.
- Do not use this dryer if industrial chemicals have been used for cleaning. The possible presence of residual quantities of aggressive or decomposed chemicals in the load may produce damage to the dryer and harmful fumes.
- Do not allow children to play on or in the washer/dryer. Close supervision of children is necessary when the washer/dryer is used near children.
- This dryer is not intended for use by persons (including children) with reduced physical, sensory, or mental capabilities, or lack of experience or knowledge, unless they have been given supervision or instruction concerning use of the dryer by a person responsible for their safety.
- Before the washer/dryer is removed from service or discarded, remove the doors to the washer/dryer compartments.
- Do not reach into the washer/dryer if the tub, agitator or drum is moving.
- Opening the dryer door will stop the function of the dryer.
- When loading or re-loading the dryer, avoid touching hot metal parts of the drum (burn risk).
- If drum rotation is blocked due to trapped textiles, disconnect the dryer from the electrical supply before gently removing the blockage.
- If the dryer is not heating, or appears to be defective or damaged, do not use it. Contact the owner.
- Do not install or store the washer/dryer where it will be exposed to the weather.
- Do not tamper with controls.
- Clean dryer lint screen before or after each load.
- Do not use this dryer without the lint screen in place.
- Under certain conditions, hydrogen gas may be produced in a hot water system that has not been used for 2 weeks or more. **HYDROGEN GAS IS EXPLOSIVE.** If the hot water system has not been used for such a period, before using the washer, turn on all hot water faucets and let the water flow from each for several minutes. This will release any accumulated hydrogen gas. As the gas is flammable, do not smoke or use an open flame during this time.
- Do not repair or replace any part of the washer/dryer or attempt any servicing unless specifically recommended in this Use and Care Guide or in published user-repair instructions that you understand and have the skills to carry out.
- Do not use fabric softeners or products to eliminate static unless recommended by the manufacturer of the fabric softener or product.
- Do not use heat to dry articles containing foam rubber or similarly textured rubber-like materials.
- The final part of a tumble dryer cycle occurs without heat (cool-down cycle) to ensure that the articles are left at a temperature that ensures that the items will not be damaged.
- **WARNING:** Never stop a tumble dryer before the end of the drying cycle unless all items are quickly removed and spread out so that the heat is dissipated. (Avoids risk of spontaneous combustion).
- In case of electrical supply failure, remove the load quickly and spread it out to avoid risk of spontaneous combustion.
- Keep area around the exhaust opening and adjacent surrounding areas free from the accumulation of lint, dust, and dirt.
- The fresh air ventilation openings into the room and into the dryer must not be blocked or sealed.
- Emergency stop control: After installation, access to mains plug or disconnection from mains supply via a double-pole switch must be ensured at all times in order to ensure immediate deactivation of the dryer in case of emergency.
- The interior of the dryer and dryer exhaust vent should be cleaned periodically by qualified service personnel.
- See “Electrical Requirements” section of the Installation Instructions booklet for grounding instructions.

SAVE THESE INSTRUCTIONS

STACKED WASHER/DRYER DISPOSAL



This appliance is marked according to the European directive 2012/19/EU on Waste Electrical and Electronic Equipment (WEEE).

By ensuring this product is disposed of correctly, you will help avoid potential negative consequences for the environment and human health, which could otherwise be caused by inappropriate waste handling of this product.

The symbol on the product, or on the documents accompanying the product, indicates that this appliance may not be treated as household waste. Instead it shall be handed over to the applicable collection point for the recycling of electrical and electronic equipment.

Disposal must be carried out in accordance with local environmental regulations for waste disposal.

For more detailed information about treatment, recovery and recycling of this product, please contact your local city office, your household waste disposal service or the shop where you purchased the product.

MODEL NOMENCLATURE:

MLE – Maytag Stacked Laundry Electric Dryer

MLG – Maytag Stacked Laundry Gas Dryer

21 – Stacked Washer Dryer Model

PD – Electronic Control – Coin Drop Enabled

PN – Electronic Control – Non-Pay

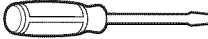
Tools Needed:



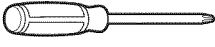
203 mm (8")
or 254 mm (10")
Pipe Wrench



203 mm (8") or 254 mm (10")
Adjustable Wrench
that opens to 25 mm (1")



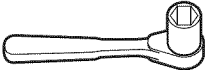
Flat-Blade Screwdriver



Phillips Screwdriver



Torx[®] T-20 Security
Screwdriver or Bit



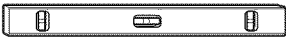
25 mm (1") Hex-Head
Socket Wrench



8 mm (5/16") Socket Wrench



Pliers
(that open to 39 mm [1⁹/₁₆"])



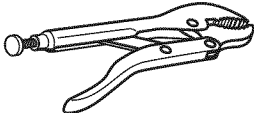
Level



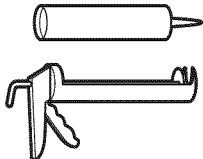
Utility Knife



6 mm (1/4") Nut Driver



Locking Pliers



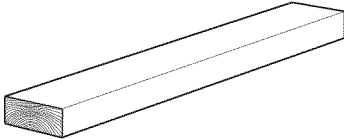
Caulk Gun and Caulk
(for installing new exhaust vent)



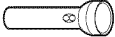
Vent Clamps



Pipe-Joint Compound
suitable for gas type



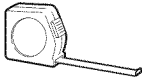
686 mm (27") Wood Block



Flashlight (optional)



13 mm (1/2") and 14 mm
(9/16") Open-End Wrenches



Ruler or Measuring Tape

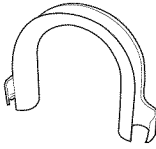
Parts Supplied:



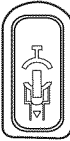
Water Inlet Hoses (2)



Inlet Hose Washers (4)



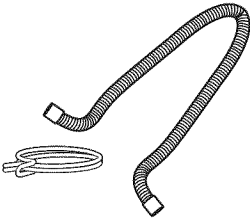
U-Shaped Hose Form



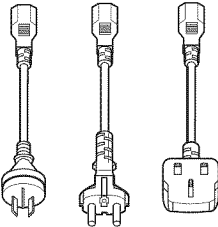
Transit Bolt Hole Plug (4)



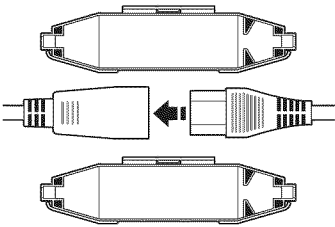
Beaded Tie Strap



Drain Hose/Clamp



Export Power Cord
Adapters



Export Power Cord
Adapter Cover

†[®] TORX is a registered trademark of Saturn Fasteners, Inc.

ALTERNATE PARTS AND ACCESSORIES

Alternate Parts

Your installation may require additional parts. If you are interested in purchasing one of the items listed here, call the toll-free number in the "If You Need Assistance" section.

If You Have	You Will Need to Buy
Overhead sewer	Standard 76 L (20 gal.) 990 mm (39") tall drain tub or utility sink, sump pump and connectors (available from local plumbing suppliers)
25 mm (1") standpipe	51 mm (2") diameter to 25 mm (1") diameter Standpipe Adapter Part Number 3363920 Connector Kit Part Number 285835
Drain hose too short	Extension Drain Hose Part Number 285863 Connector Kit Part Number 285835
Lint clogged drain	Drain Protector Part Number 367031 Connector Kit Part Number 285835
Floor drain system	Siphon break, Part Number 285834 Connector Kit (x2) Part Number 285835 Extension Drain Hose Part Number 285863
Water faucets beyond reach of fill hoses	2 longer water fill hoses: 1.8 m (6 ft.) 90° bend hose Part Number 76314 3.0 m (10 ft.) Part Number 350008

Accessories

Enhance your washer/dryer with these premium accessories.

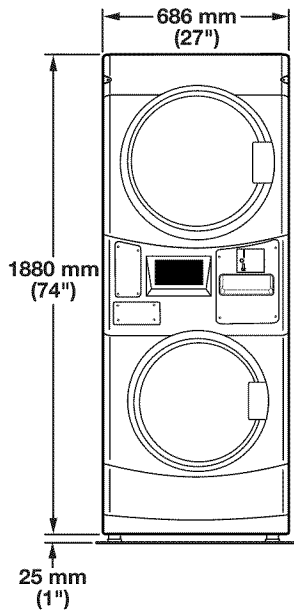
For more high-quality items or to order, contact your authorized Maytag distributor.

Part Number	Accessory
8212526	Washer drip tray, fits under all
31682	All-purpose appliance cleaner
1903WH	Laundry supply storage cart
279818	3-way dryer venting kit
285834	Siphon break kit

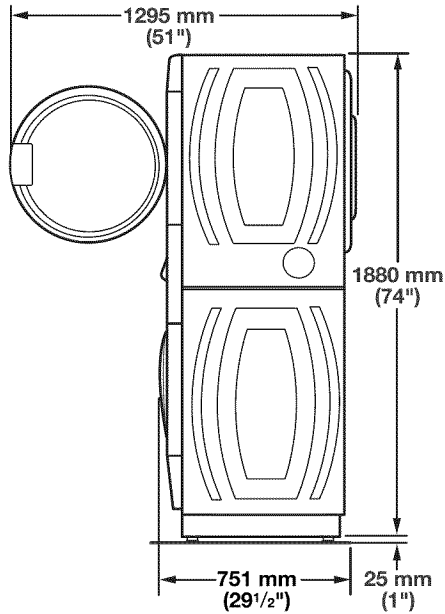
DIMENSIONS/CLEARANCES

Dimensions

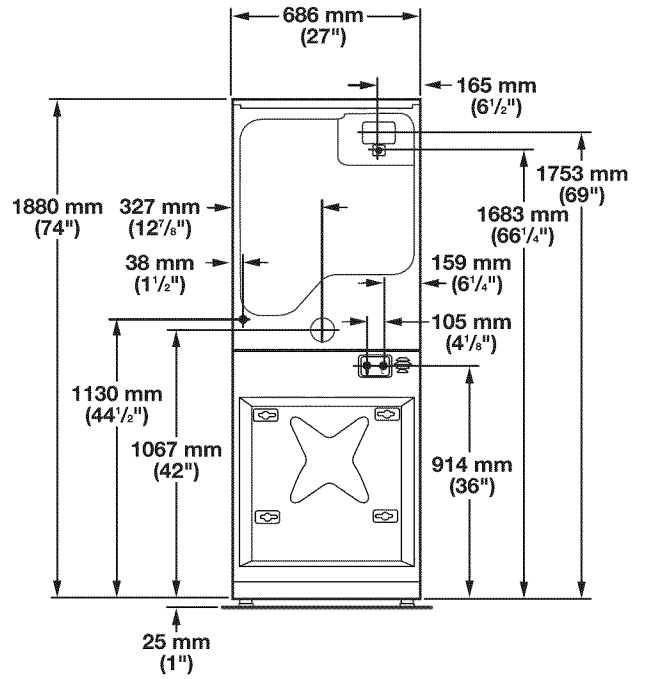
Front View



Side View

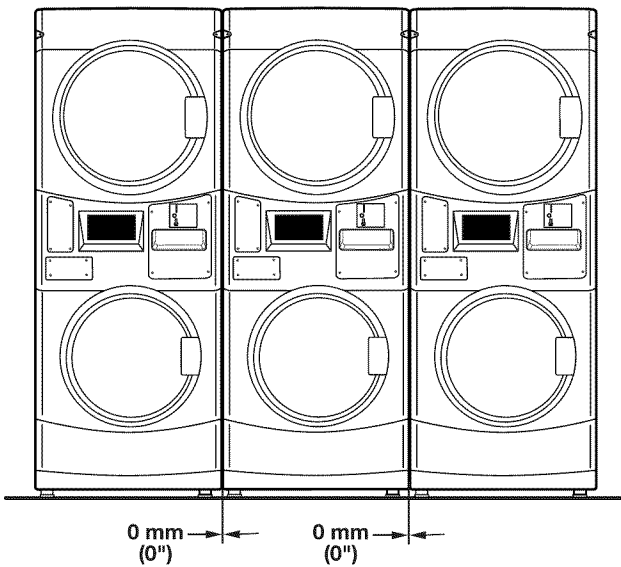


Back View

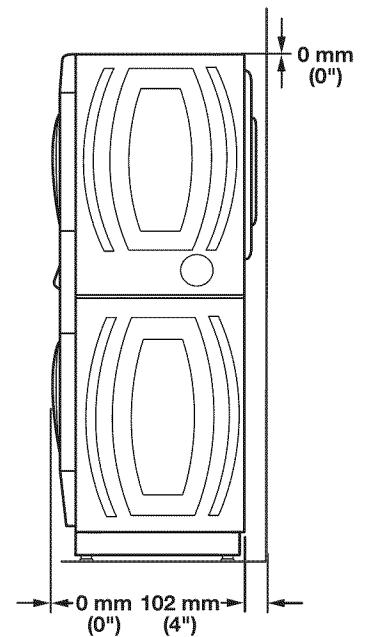


Clearances

Side Clearances



Back/Top Clearances




STACKED WASHER/GAS DRYER INSTALLATION REQUIREMENTS

(AUSTRALIA AND NEW ZEALAND – FOR FULL DETAILS OF INSTALLATION REQUIREMENTS REFER TO AS/NZS 5601.1 – GAS INSTALLATIONS)

Stacked Washer/Gas Dryer Location

⚠ WARNING



Explosion Hazard

Keep flammable materials and vapors, such as petrol, away from dryer.

Do not install in a garage.

Failure to do so can result in death, explosion, or fire.

Selecting the proper location for your washer/dryer improves performance and minimizes noise and possible washer “walk.”

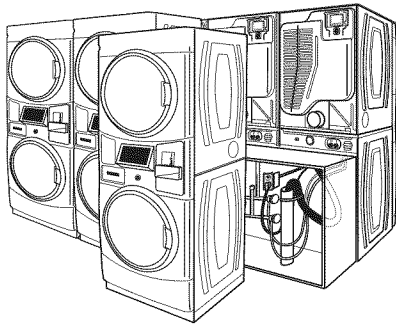
Your washer/dryer can be installed in a basement, laundry room, or recessed area. See “Drain System.”

Companion appliance location requirements should also be considered.

IMPORTANT: Do not install or store the washer/dryer where it will be exposed to the weather. Do not store or operate the washer/dryer in temperatures at or below 0°C (32°F). Some water can remain in the washer and can cause damage in low temperatures. Proper installation is your responsibility.

You will need:

- A water heater set to deliver 49°C (120°F) water to the washer.
- A grounded electrical outlet located within 1.8 m (6 ft.) of where the power cord is attached to the back of the washer. See “Electrical Requirements.”
- Hot and cold water faucets located within 1.2 m (4 ft.) of the hot and cold water fill valves, and water pressure of 137.9–689.6 kPa (20–100 psi).
- A level floor with a maximum slope of 25 mm (1”) under entire washer/dryer. Installing the washer/dryer on soft floor surfaces, such as carpets or surfaces with foam backing, is not recommended.
- A sturdy and solid floor to support the washer/dryer with a total weight (water and load) of 204 kg (450 lbs).
- A floor drain under the bulkhead. Prefabricated bulkheads with electrical outlets, water inlet lines, and drain facilities should be used only where local codes permit.



Stacked washer/gas dryer installation clearances

- The location must be large enough to allow the washer and dryer doors to be fully opened.
- Additional spacing should be considered for ease of installation and servicing. The doors open more than 180°. The washer door is not reversible.
- Additional clearances might be required for wall, door, and floor moldings.
- Companion appliance spacing should also be considered.

When installing a gas dryer:

IMPORTANT: Observe all governing codes and ordinances.

- Check code requirements: Some codes limit or do not permit installation of clothes dryers in garages, closets, or sleeping quarters. Contact your local building inspector.
- **NOTE:** For installation in Australia and New Zealand, install dryer in accordance with AS/NZS 5601.1 and local governance codes.
- Make sure that lower edges of the cabinet, plus the back and bottom sides of the washer, are free of obstructions to permit adequate clearance of air openings for combustion air. See “Recessed Area and Closet Installation Instructions” below for minimum spacing requirements.
- Do not install on carpet.

Recessed Area and Closet Installation Instructions

This washer/dryer may be installed in a recessed area or closet. This washer/dryer must not be installed behind a lockable door, a sliding door, or a door with a hinge on the opposite side to that of the washer/dryer in such a way that a full opening of the washer/dryer is restricted. For recessed area and closet installations, minimum clearances can be found on the warning label on the rear of the dryer or in “Dimensions/Clearances.”

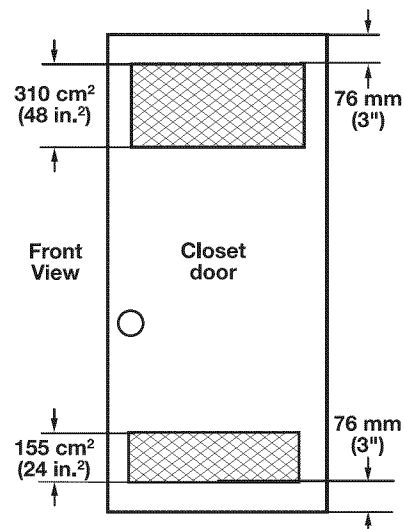
The installation spacing is in millimeters and is the minimum allowable. Additional spacing should be considered for ease of installation, servicing, and compliance with local codes and ordinances.

If closet door is installed, the minimum unobstructed air opening in the top and bottom is required. Louvered doors with equivalent air openings are acceptable.

The dryer must be exhausted outdoors.

No other fuel-burning appliance may be installed in the same closet as the washer/dryer.

NOTE: For installation in Australia and New Zealand, refer to AS/NZS 5601.1 for ventilation requirements.



STACKED WASHER/GAS DRYER INSTALLATION REQUIREMENTS

Stacked Washer/Gas Dryer Electrical Requirements

⚠ WARNING



Dangerous Voltage

IMPORTANT: Observe all governing codes and ordinances.

You will need an earthed electrical outlet located within 610 mm (2 feet) of either side of the washer/dryer.

This washer/dryer is supplied/fitted with an electrical supply cord and plug. It should be connected to electrical supply socket at the voltage shown on the rating plate. The minimum supply fuse capacity should be 10A. The washer/dryer must be positioned so that the plug is clearly visible and accessible. This plug also provides the function of an emergency stop control for the user. If the fitted plug is not used, the electrical connection must be carried out by a competent electrician in accordance with local or national codes.

If the supply cord is damaged, it must be replaced with a specially terminated cord by an authorized service agent or a similarly competent person in order to avoid a hazard.

Do not use an adapter.

Do not use an extension cord.

NOTE: In accordance with the European EMC Directive (2004/108/EC), the maximum electricity supply system impedance to which the gas dryer should be connected is declared to be 0.054 Ohm + j0.034 Ohm.

NOTE: Electrical safety standards: The manufacturer has chosen compliance with IEC/EN.60335 standards as the most appropriate for this product.

⚠ WARNING



Electric Shock Hazard

This is a 3-wire appliance which must be earthed.

Do not earth to a gas pipe.

Do not change the power supply cord plug. If it does not fit the outlet, have a proper outlet installed by a qualified electrician.

Do not use an extension cord with this dryer.

Failure to follow these instructions could result in death, fire, or serious injury.

If codes permit and an additional earth bond wire is used, it is recommended that a qualified electrician determine that the earth bond path is adequate.

EARTHING INSTRUCTIONS

■ For an earthed cord-connected dryer:

This dryer must be earthed. In the event of a malfunction or breakdown, earthing will reduce the risk of electric shock by providing a path of least resistance for electric current. This dryer is equipped with a cord having an equipment-earthing conductor and a earthing plug. The plug must be plugged into an appropriate outlet that is properly installed and earthed in accordance with all local codes and ordinances.

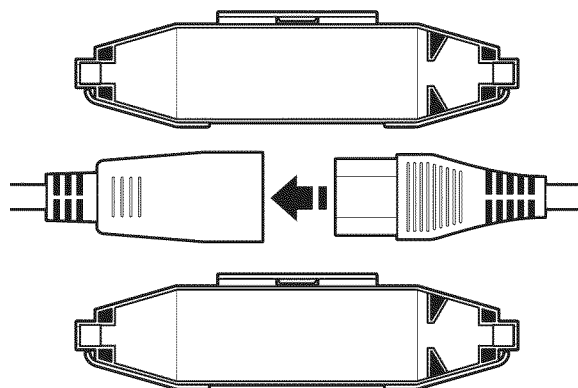
WARNING: Improper connection of the equipment-earthing conductor can result in a risk of electric shock. Check with a qualified electrician or service representative or personnel if you are in doubt as to whether the dryer is properly earthed. Do not modify the plug provided with the dryer: if it will not fit the outlet, have a proper outlet installed by a qualified electrician.

SAVE THESE INSTRUCTIONS

Using the universal cord included with this dryer:

The gas dryer is equipped with a universal cord with interchangeable plugs.

1. To use the universal cord, select the plug end that fits your electrical outlet, and plug it into the adapter on the supply cord.
2. Secure the plug end in place on the cord by aligning the 2 cover halves over the cord adapter and clipping them together.



STACKED WASHER/GAS DRYER INSTALLATION REQUIREMENTS

Stacked Washer/Gas Dryer Gas Supply Requirements

⚠ WARNING



Explosion Hazard

Connect this dryer to a regulated gas supply. Supply pressure must be in accordance with the Technical Specifications.

Install a shut-off valve.

Securely tighten all gas connections.

If connected to LP, have a qualified person make sure gas pressure is correct.

Failure to do so can result in death, explosion, or fire.

IMPORTANT: Observe all governing codes and ordinances. In Australia and New Zealand, refer to AS/NZS 5601.1 – Gas Installations.

Gas Supply

Before installation, check that the local gas distribution conditions, nature of gas and pressure, and the adjustment of the appliance are compatible. Burner information will be found on the model/serial rating plate in the door recess of the dryer. If this information does not agree with the type of gas available, see your dealer.

Natural Gas:

This dryer is factory adjusted for use with NATURAL GAS (G20), and no further adjustment should be required at installation.

L.P. Gas:

This dryer is also certified for use with L.P. (propane or butane) gases with appropriate conversion. No attempt shall be made to convert the appliance from the gas specified on the model/serial rating plate for use with a different gas without consulting the serving gas supplier.

Conversion must be done by a competent service technician. LP Gas conversion kit for countries with 50 Hz power, except for France and Belgium, part number W1057157, is available for purchase from your dealer. Gas conversion kit (Australia), part number W10571729, is available for purchase from your dealer. Full instructions are supplied with the kit.

Natural gas (France/Belgium):

This dryer is also certified for France/Belgium for use with G20/G25 gases (20 mbar/25 mbar) with appropriate conversion. No attempt should be made to convert this appliance from the gas specified on the gas rating label for use with a different gas without consulting the serving gas supplier. Gas conversion must be done by a qualified gas service technician. Conversion kit, part number (W10181947) is available for purchase from your dealer. Full instructions are supplied with the kit.

Supply line requirements:

Provide a rigid gas supply line to the washer/dryer location. It should be minimum 12.5 mm (1/2") ID. When acceptable to the gas supplier and local codes, 10 mm (3/8") ID rigid supply line may be used for lengths under 6.1 m (20'). Pipe-joint compounds resistant to the action of L.P. gas must be used.

NOTE: For installation in Australia and New Zealand, refer to AS/NZS 5601 for pipe sizing details. All piping is to be in accordance with AS/NZS 5601.1 – Gas Installations.

Gas connection to the dryer itself should be made by means of a flexible gas hose suitable for the appliance and gas category in accordance with national installation regulations. If in doubt, contact the gas supplier. It should be minimum 10 mm (3/8") ID.

A means of restraint should be used between the washer/dryer and the wall to avoid straining of the rigid gas supply when the washer/dryer is moved. An appropriate length of chain and a wall hook is recommended.

The dryer gas inlet connection is a 3/8" NPT thread. An adapter is supplied for conversion to standard ISO.228-1 thread (3/8" BSP).


Check for leaks by using an approved noncorrosive leak-detection solution. Bubbles will show a leak. Correct any leak found. A pressure measurement tapping is provided on the gas valve within the dryer, accessible after removal of the lower front panel.

The dryer must be disconnected from the gas supply piping system during any pressure testing of that system.

STACKED WASHER/ELECTRIC DRYER INSTALLATION REQUIREMENTS

Stacked Washer/Electric Dryer Location

⚠ WARNING



Explosion Hazard

Keep flammable materials and vapors, such as petrol, away from dryer.

Do not install in a garage.

Failure to do so can result in death, explosion, or fire.

NOTE: In Australia and New Zealand, refer to AS/NZS 5601.1 – Gas Installations.

Selecting the proper location for your washer/dryer improves performance and minimizes noise and possible washer “walk.”

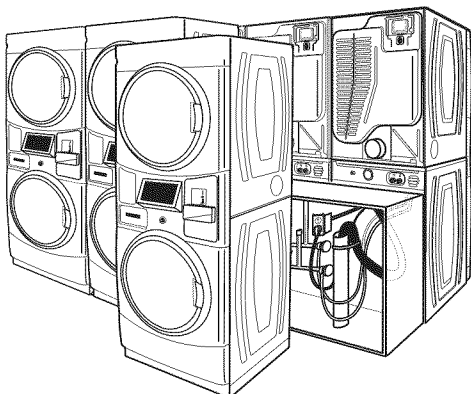
Your washer/dryer can be installed in a basement, laundry room, or recessed area. See “Drain System.”

Companion appliance location requirements should also be considered.

IMPORTANT: Do not install or store the washer/dryer where it will be exposed to the weather. Do not store or operate the washer/dryer in temperatures at or below 0°C (32°F). Some water can remain in the washer and can cause damage in low temperatures. Proper installation is your responsibility.

You will need:

- A water heater set to deliver 49°C (120°F) water to the washer.
- A grounded electrical outlet located within 1.8 m (6 ft.) of where the power cord is attached to the back of the washer. See “Electrical Requirements.”
- Hot and cold water faucets located within 1.2 m (4 ft.) of the hot and cold water fill valves, and water pressure of 137.9–689.6 kPa (20–100 psi).
- A level floor with a maximum slope of 25 mm (1”) under entire washer/dryer. Installing the washer/dryer on soft floor surfaces, such as carpets or surfaces with foam backing, is not recommended.
- A sturdy and solid floor to support the washer/dryer with a total weight (water and load) of 204 kg (450 lbs).
- A floor drain under the bulkhead. Prefabricated bulkheads with electrical outlets, water inlet lines, and drain facilities should be used only where local codes permit.



Stacked washer/electric dryer installation clearances

- The location must be large enough to allow the washer and dryer doors to be fully opened.
- Additional spacing should be considered for ease of installation and servicing. The doors open more than 180°. The washer door is not reversible.
- Additional clearances might be required for wall, door, and floor moldings.
- Companion appliance spacing should also be considered.

Recessed Area and Closet Installation Instructions

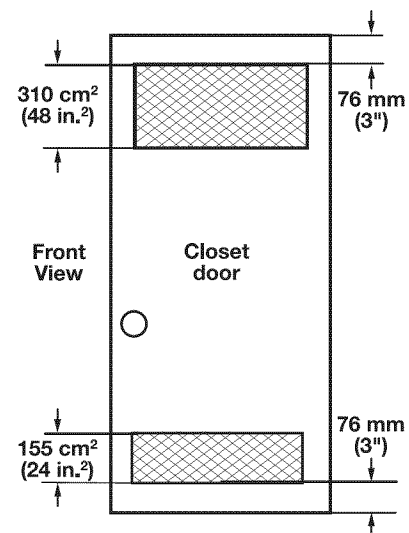
This washer/dryer may be installed in a recessed area or closet. This washer/dryer must not be installed behind a lockable door, a sliding door, or a door with a hinge on the opposite side to that of the washer/dryer in such a way that a full opening of the washer/dryer door is restricted. For recessed area and closet installations, minimum clearances can be found on the warning label on the rear of the dryer or in “Dimensions/Clearances.”

The installation spacing is in millimeters and is the minimum allowable. Additional spacing should be considered for ease of installation, servicing, and compliance with local codes and ordinances.

If closet door is installed, the minimum unobstructed air opening in the top and bottom is required. Louvered doors with equivalent air openings are acceptable.

The dryer must be exhausted outdoors.


No other fuel-burning appliance may be installed in the same closet as the washer/dryer.



STACKED WASHER/ELECTRIC DRYER INSTALLATION REQUIREMENTS

Stacked Washer/Electric Dryer Electrical Requirements

⚠ WARNING



Dangerous Voltage


This washer/dryer is supplied without an electric cord and plug. It must be connected by a competent electrician to a single-phase electricity supply at the voltage shown on the dataplate, using a suitable fixed wiring installation in accordance with local and national wiring regulations.

- A 3-wire circular cord of minimum conductor size 4 mm² cross-section area should be used.
- A 25A supply fuse should be used, and a switch having a contact separation in both poles that provides full disconnection under over-voltage category III conditions must be incorporated into the fixed wiring in accordance with local wiring regulations. The washer/dryer should be positioned so that the disconnection switch is clearly visible and easily accessible to the user. This disconnection switch also provides the function of an emergency stop control for the user.
- A cord clamp bush is provided on the washer/dryer, and should be tightened on completion of wiring. The electrical mains terminals are located behind the small rear access panel (terminal block cover), and connections should be made in accordance with the terminal markings. Remember to replace the terminal access panel (terminal block cover).

NOTE: In accordance with the European EMC Directive (2004/108/EC), the maximum electrical supply system impedance to which the electric dryer should be connected is declared to be 0.054 Ohm + j0.034 Ohm.

NOTE: Electrical safety standards: The manufacturer has chosen compliance with IEC/EN.60335 standards as the most appropriate for this product.

⚠ WARNING



Electric Shock Hazard

**This is 3-wire appliance which must be earthed.
Do not earth to a gas pipe.**

Failure to follow these instructions could result in death, fire, or serious injury.

If codes permit and an additional earth bond wire is used, it is recommended that a qualified electrician determine that the earth bond path is adequate.

Recommended Earthing Method

It is your responsibility to contact a qualified electrical installer to ensure that the electrical installation is adequate and in conformance with all local codes and ordinances.

DRYER VENTING REQUIREMENTS

⚠ WARNING



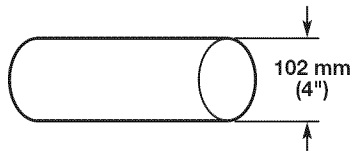
Fire Hazard

- Use a heavy metal vent.
- Do not use a plastic vent.
- Do not use a metal foil vent.
- Failure to follow these instructions can result in death or fire.

WARNING: To reduce the risk of fire, this dryer MUST BE EXHAUSTED OUTDOORS.

IMPORTANT: Observe all governing codes and ordinances. In Australia and New Zealand, refer to AS/NZS 5601.1 – Gas Installations.

- Following these venting requirements will minimise ducting air noise.
- Adequate ventilation has to be provided to avoid the backflow of gases into the room from appliances burning other fuels, including open fires (i.e. available airflow into the room should match airflow out from the room).
- Dryer exhaust must not be connected into any gas vent, chimney, wall, ceiling, attic, crawlspace, or a concealed space of a building. Only rigid or flexible metal vent shall be used for exhausting.
- Do not use an exhaust hood with a magnetic latch.



102 mm (4") Heavy, Metal Exhaust Vent

- Only a 4" (102 mm) heavy, metal exhaust vent and clamps may be used.
- Do not use plastic or metal foil vent.
- Exhaust air must not be discharged into a flue which is used for exhausting fumes from appliances burning gas or other fuels.
- Forced ventilation of fresh air is required.
- Exhaust air must be exhausted to the outside to avoid suffocation.
- If exhaust is connected to a commonly used exhaust system, it is required to install flap valves at each connection or alternative adequate countermeasures.
- Exhaust air must not be connected to an exhaust channel of a furnace.

Rigid metal vent:

- Recommended for best drying performance and to avoid crushing and kinking.

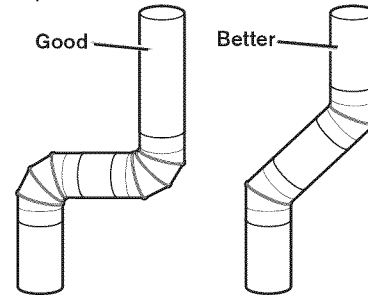
Flexible metal vent: (Acceptable only if accessible to clean)

- Must be fully extended and supported in final dryer location.
- Remove excess to avoid sagging and kinking that may result in reduced airflow and poor performance.
- Do not install in enclosed walls, ceilings, or floors.
- The total length should not exceed 7¼ ft. (2.4 m).
- An exhaust hood should cap the vent to keep rodents and insects from entering the building.

NOTE: If using an existing vent system, clean lint from entire length of the system and make sure exhaust hood is not plugged with lint. Replace plastic or metal foil vents with rigid metal or flexible metal vents. Review "Vent System Chart" and if necessary, modify existing vent system to achieve best drying performance.

Elbows:

- 45° elbows provide better airflow than 90° elbows.



- Plan installation to use the fewest number of elbows and turns.
- Allow as much room as possible when using elbows or making turns. Bend vent gradually to avoid kinking.
- Vent outlet is located at the center of the bottom dryer back.
- The vent can be routed up, down, left, right, behind the dryer, or straight out the back of the dryer.

Clamps:

- Use clamps to seal all joints.
- Exhaust vent must not be connected or secured with screws or other fastening devices that extend into interior of duct and catch lint. Do not use duct tape.



Improper venting can cause moisture and lint to collect indoors, which may result in:

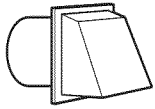
- Moisture damage to woodwork, furniture, paint, wallpaper, carpets, etc.
- Housecleaning problems and health problems.

DRYER VENTING REQUIREMENTS

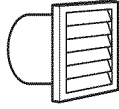
(IN AUSTRALIA AND NEW ZEALAND, REFER TO AS/NZS 5601.1 – GAS INSTALLATIONS)

Vent Hoods

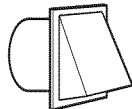
102 mm (4") Diameter Exhaust Hoods



Box Hood

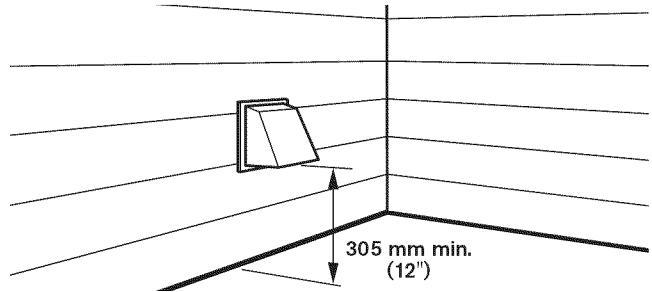


Louvered Hood



Angled Hood

Exhaust hood must be at least 305 mm (12") from the ground or any object that may be in the path of the exhaust (such as flowers, rocks, bushes, or snow).



Vent System Length

Maximum Vent Length/Vent Connection

Maximum length of vent system depends upon the type of vent used, number of elbows, and type of exhaust hood.

Vent System Chart (Rigid Metal Vent)

No. of 90° Turns	Box and Louvered Hood	Angled Hood
0	39.6 m (130 ft.)	39.3 m (129 ft.)
1	38.1 m (125 ft.)	36.3 m (119 ft.)
2	35.1 m (115 ft.)	33.2 m (109 ft.)
3	32.3 m (106 ft.)	30.5 m (100 ft.)
4	29.9 m (98 ft.)	28.0 m (92 ft.)

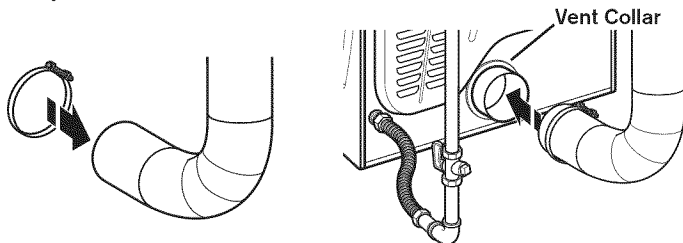
For vent systems not covered by the vent specification chart, see your parts distributor.

Provision must be made for enough air for combustion and ventilation. (Check governing codes and ordinances.) See "Recessed Area and Closet Installation Instructions" in the "Stacked Washer/Gas Dryer Location" and "Stacked Washer/Electric Dryer Location" sections.

A 102 mm (4") outlet hood is preferred. However, a 64 mm (2½") outlet exhaust hood may be used. A 64 mm (2½") outlet creates greater back pressure than other hood types. For permanent installation, a stationary vent system is required.

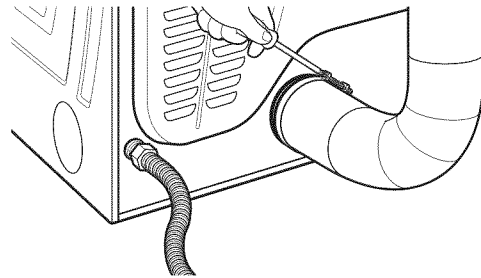
Connect Vent

1. If connecting to existing vent, make sure the vent is clean.
2. Using a 102 mm (4") clamp, connect vent to exhaust outlet in dryer.

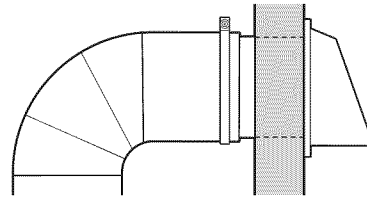


NOTE: Do not remove vent collar.

3. Tighten hose clamp with Phillips screwdriver.



4. Make sure the vent is secured to exhaust hood with a 102 mm (4") clamp.



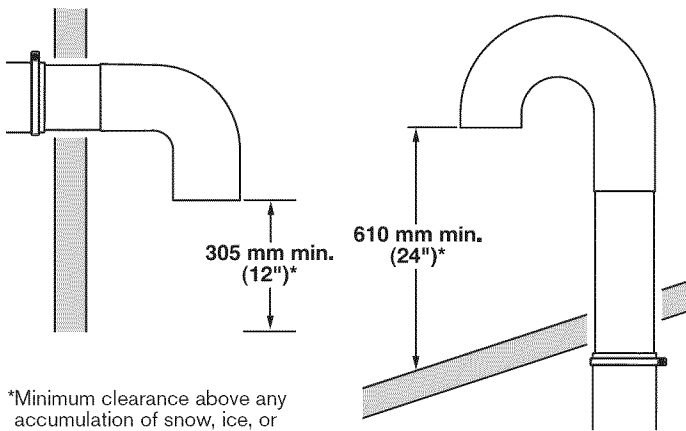
5. Move dryer into final position. Do not crush or kink vent. Make sure dryer is level.

DRYER VENTING REQUIREMENTS

(IN AUSTRALIA AND NEW ZEALAND, REFER TO AS/NZS 5601.1 – GAS INSTALLATIONS)

If an Exhaust Hood Cannot be Used

The outside end of main vent should have a sweep elbow directed downward.



*Minimum clearance above any accumulation of snow, ice, or debris such as leaves

If main vent travels vertically through the roof, rather than through wall, install a 180° sweep elbow on end of vent at least 610 mm (2 ft.) above surface of roof.

The opening in wall or roof shall have a diameter 13 mm (1/2") larger than vent diameter. Vent should be centered in opening.

Do not install screening over end of vent for best performance.

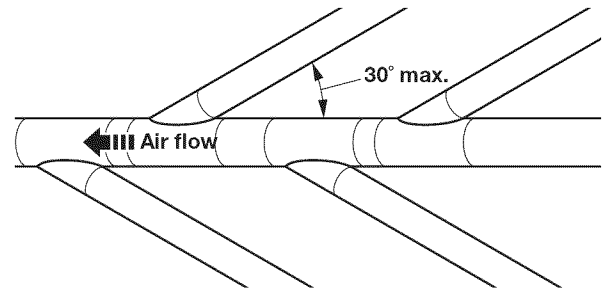
Multiple Dryer Venting

A main vent can be used for venting a group of dryers. The main vent should be sized to remove 5663 l/min. (200 CFM) of air per dryer. Large-capacity lint screens of proper design may be used in main vent if checked and cleaned frequently. The room where the dryers are located should have make-up air equal to or greater than CFM of all the dryers in the room.

Unobstructed air openings are required for make up combustion air. A static opening of 24 square inches (1 inch² per 1,000 BTU of burner) is the minimum required for each dryer in operation. A common opening may be used if the return air is distributed equally to all dryers in operation.

Back-draft Damper Kit is available from your distributor and should be installed in the vent of each dryer to keep exhausted air from returning into dryers and to keep exhaust in balance within main vent. Unobstructed return air openings are required.

Each vent should enter the main vent at an angle pointing in the direction of the airflow. Vents entering from the opposite side should be staggered to reduce the exhausted air from interfering with the other vents.



The maximum angle of each vent entering the main vent should be no more than 30°.

Keep air openings free of dry cleaning fluid fumes. Fumes create acids which, when drawn through the dryer heating units, can damage dryers and items being dried.

A clean-out cover should be located on the main vent for periodic cleaning of the vent system.

DRYER GAS SUPPLY REQUIREMENTS

(All piping is to be in accordance with AS/NZS 5601.1 – Gas Installations)

Make Gas Connection

⚠ WARNING

Excessive Weight Hazard

Use two or more people to move and install washer/dryer.

Failure to do so can result in back or other injury.

1. Remove red cap from gas pipe.
2. Connect gas supply to dryer. If the flexible gas hose has 10 mm (3/8") BSP thread, use the supplied conversion thread adapter. Use pipe-joint compound resistant to the action of L.P. gas for gas connections.

If necessary for service, open the toe panel. Use a putty knife to press on the 2 toe panel locks located at the top of the toe panel. Pull downward on the toe panel to open. Toe panel is hinged at the bottom.

3. Open the shut-off valve in the gas supply line.
4. Test all connections by brushing on an approved, noncorrosive leak-detection solution. Bubbles will show a leak. Correct any leaks found.

INSTALLING STACKED WASHER/DRYER

Remove Transport System

NOTE: Slide washer/dryer onto cardboard or hardboard before moving to avoid damaging floor covering.

⚠ WARNING

Excessive Weight Hazard

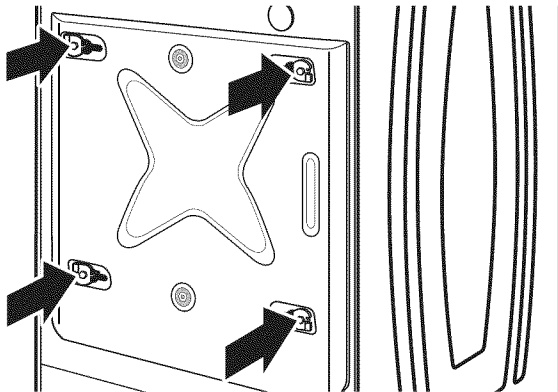
**Use two or more people to move and install washer/dryer.
Failure to do so can result in back or other injury.**

IMPORTANT: Position the washer/dryer so that the rear of the washer is within approximately 900 mm (3 ft.) of its final location.

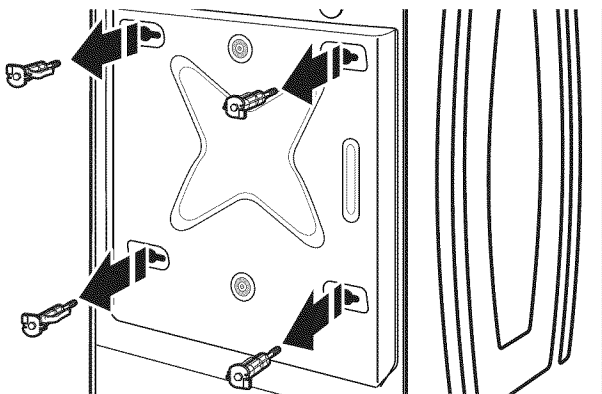
There are four shipping bolts in the rear panel of the washer that support the suspension system during transportation. These bolts also retain the power cord inside the washer until the bolts are removed.

IMPORTANT: Remove the four shipping bolts at the rear of the washer before operation.

1. Keep the washer/dryer in the upright position while removing the shipping bolts.
2. Using a 13 mm (1/2") wrench, loosen each of the bolts.

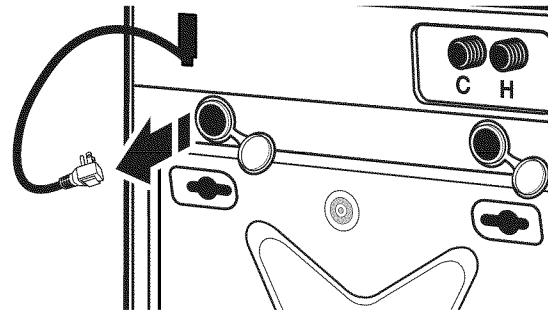
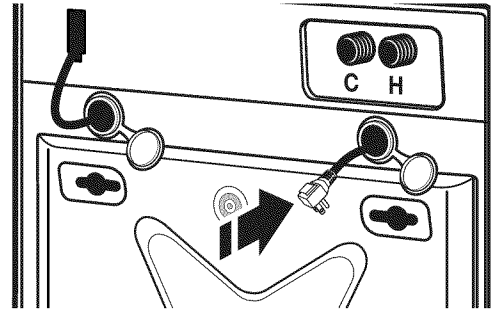


3. Once the bolt is loose, move it to the center of the hole and completely pull out the bolt, including the plastic spacer covering the bolt. Once all 4 bolts are removed, discard the bolts and spacers.

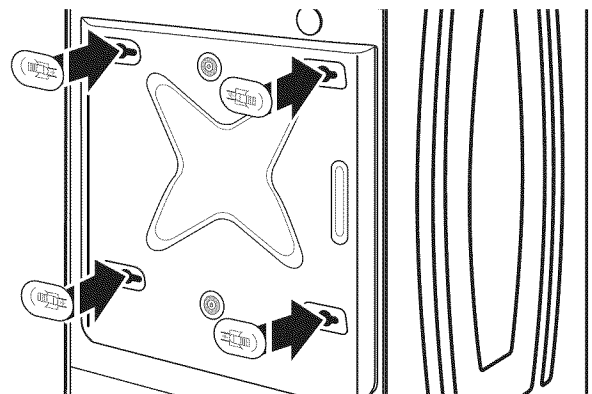


4. Models with separate washer power cords: Push the power cord plug into the opening on the right side of the rear panel and pull the power cord through the opening on the left side of the rear panel and close holes with the attached cap. Do not pull plug end of power cord through the right side hole.

NOTE: To avoid damage to internal washer parts or the power cord, if the cord does not pull out of the washer rear panel easily, do not force it. Remove the washer rear panel and guide the power cord around the obstruction and out the hole on the left side of the rear panel.



5. Close the bolt holes with the 4 transport bolt hole plugs.

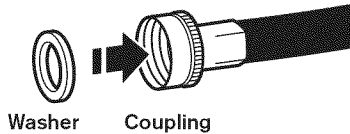


IMPORTANT: If the washer/dryer is to be transported, call your product distributor or installer. To avoid suspension and structural damage, your washer/dryer must be properly set up for relocation by a trained professional.

INSTALLING STACKED WASHER/DRYER

Connect Inlet Hoses

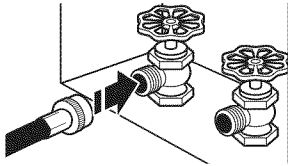
Insert new hose washers (supplied) into each end of the inlet hoses. Firmly seat the washers in the couplings.



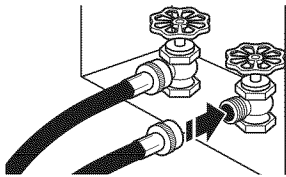
Connect Inlet Hoses to Water Faucets

Make sure the washer drum is empty.

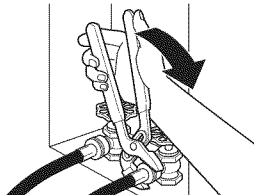
1. Attach a hose to the hot water faucet. Screw on coupling by hand until it is seated on the washer.



2. Attach a hose to the cold water faucet. Screw on coupling by hand until it is seated on the washer.



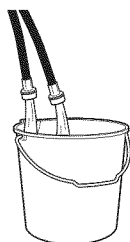
3. Using pliers, tighten the couplings with an additional two-thirds turn.



NOTE: Do not overtighten or use tape or sealants on the valve. Damage to the valves can result.

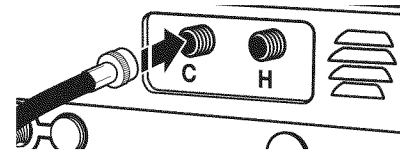
Clear Water Lines

- Run water through both faucets and inlet hoses, into a laundry tub, drainpipe, or bucket, to get rid of particles in the water lines that might clog the inlet valve screens.
- Check the temperature of the water to make sure that the hot water hose is connected to the hot water faucet and that the cold water hose is connected to the cold water faucet.

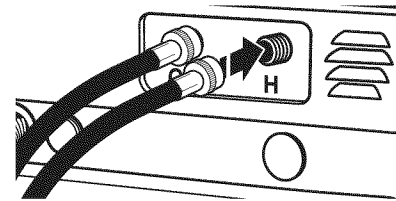


Connect Inlet Hoses to Washer

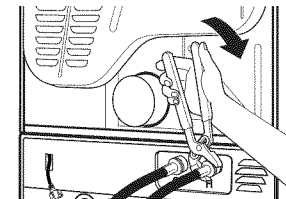
1. Attach the cold water hose to the washer's cold water inlet valve. Screw on coupling by hand until it is seated on the washer.



2. Attach the hot water hose to the washer's hot water inlet valve. Screw on coupling by hand until it is seated on the washer.

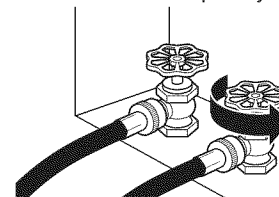


3. Using pliers, tighten the couplings with an additional two-thirds turn.



NOTE: Do not overtighten. Damage to the valve can result.

4. Turn on the water faucets completely and check for leaks.



NOTE: Replace inlet hoses after 5 years of use to reduce the risk of hose failure. Record hose installation or replacement dates on the hoses for future reference.

Periodically inspect and replace hoses if bulges, kinks, cuts, wear, or leaks are found.

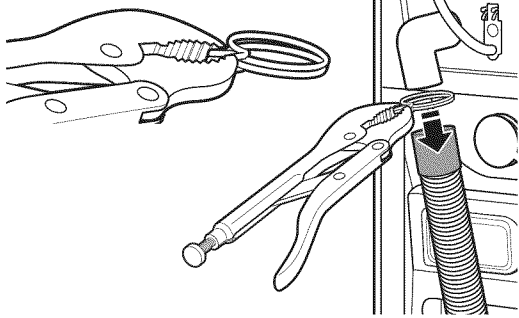
INSTALLING STACKED WASHER/DRYER

Route Drain Hose

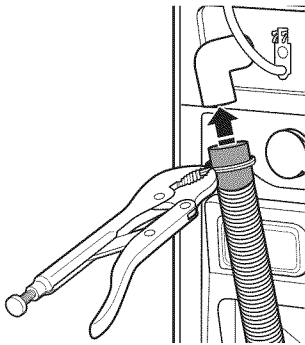
Proper routing of the drain hose avoids damage to your floor due to water leakage. Read and follow these instructions.

Remove drain hose from the washer drum

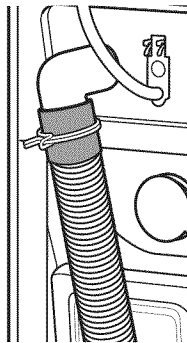
1. Using locking pliers, squeeze hose clamp tabs together and insert over the end of the drain hose.



2. Slide the drain hose onto the washer connection.

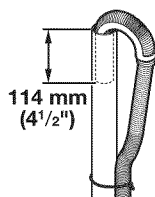
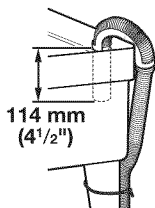


3. Once the drain hose is in place, release the pliers.



Secure Drain Hose

1. Drape the power cord over the washer top.
2. Move the washer to its final location.
3. Place the drain hose in the laundry tub or standpipe as shown.
4. Secure the drain hose using the supplied beaded tie strap.

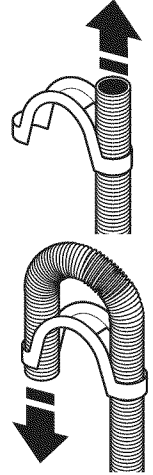


4. The washer drain system can be installed using a floor drain, wall standpipe, floor standpipe, or laundry tub.

Laundry tub drain or standpipe drain

Connect the drain hose form to the corrugated drain hose.

Snap either end of the drain hose form to the drain hose at the point where the corrugation begins.



Bend drain hose over drain hose form and snap into place.

NOTE: Hose must not extend more than 25 mm (1") past the end of the U bend.

To keep drain water from going back into the washer:

- Do not straighten the drain hose, do not force excess drain hose into standpipe. Hose should be secure but loose enough to provide a gap for air.
- Do not lay excess hose on the bottom of the laundry tub.

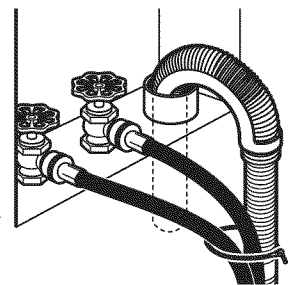
Floor drain

You may need additional parts. See "Alternate Parts."

5. If the washer faucets and the drain standpipe are recessed, put the hooked end of the drain hose in the standpipe as shown.

NOTES:

- Do not force excess drain hose back into the rear of the washer.
- To avoid siphoning, do not seal the drain hose into the standpipe.
- To avoid siphoning, do not seal or put more than 114 mm (4 1/2") of the drain hose into drainpipe or standpipe.



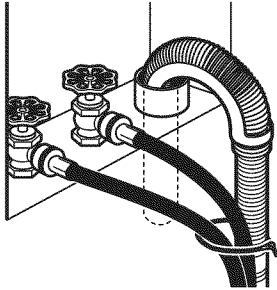
WASHER DRAIN SYSTEM

The washer can be installed using the standpipe drain system (floor or wall), the laundry tub drain system, or the floor drain system.

Standpipe drain system – wall or floor

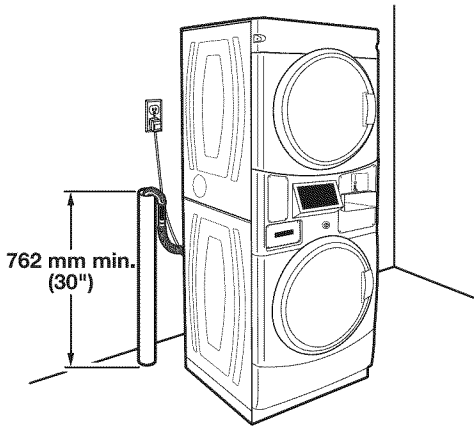
The standpipe drain requires a minimum diameter standpipe of 50 mm (2"). The minimum carry-away capacity can be no less than 38 L (10 gal.) per minute.

Wall



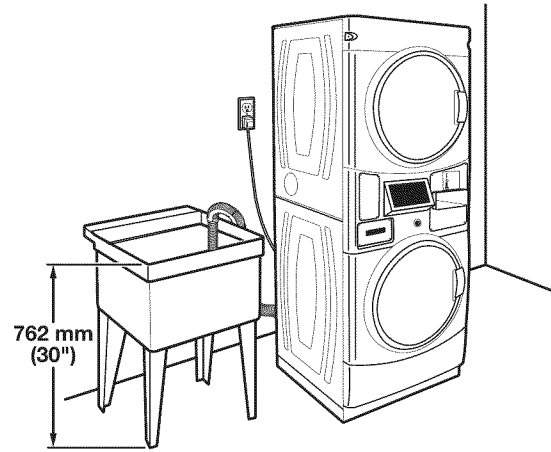
The top of the standpipe must be at least 762 mm (30") high and no higher than 2.4 m (96") from the bottom of the washer.

Floor



Laundry tub drain system

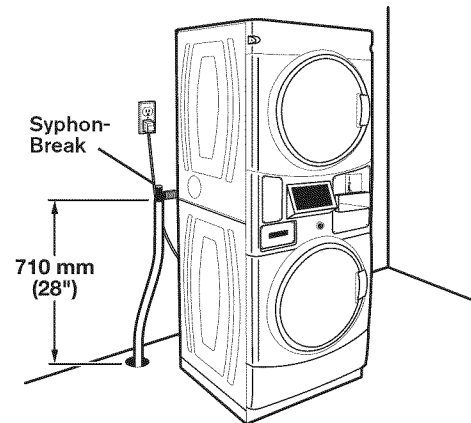
The laundry tub needs a minimum 76 L (20 gal.) capacity. The top of the laundry tub must be at least 762 mm (30") above the floor.



Floor drain system

The floor drain system requires a siphon break that may be purchased separately.

The siphon break (Part Number 285834) must be a minimum of 710 mm (28") from the bottom of the washer. Additional hoses might be needed.



LEVELING

Leveling Stacked Washer/Dryer

Leveling your washer/dryer properly reduces excess noise and vibration.

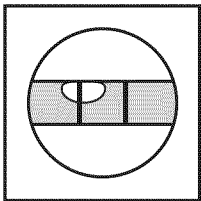
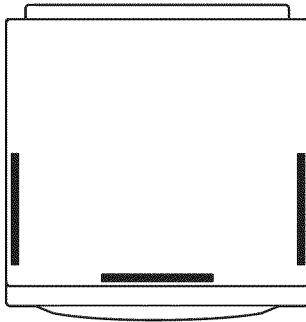
⚠️ WARNING

Excessive Weight Hazard

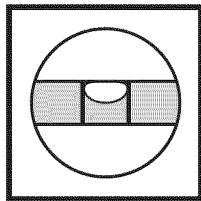
Use two or more people to move and install washer/dryer.

Failure to do so can result in back or other injury.

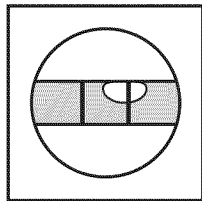
1. Remove cardboard from beneath washer/dryer. Place a level on top edges of washer/dryer, checking each side and front. If not level, tip washer/dryer and adjust feet up or down as shown in Steps 3 and 4, repeating as necessary.



Not Level

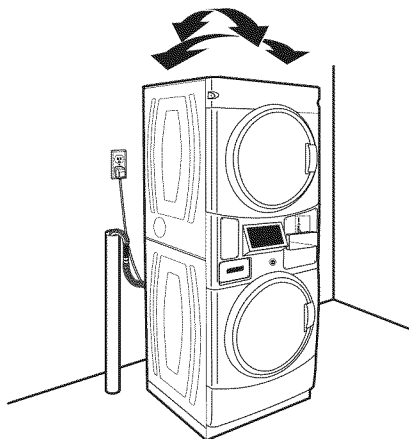


LEVEL



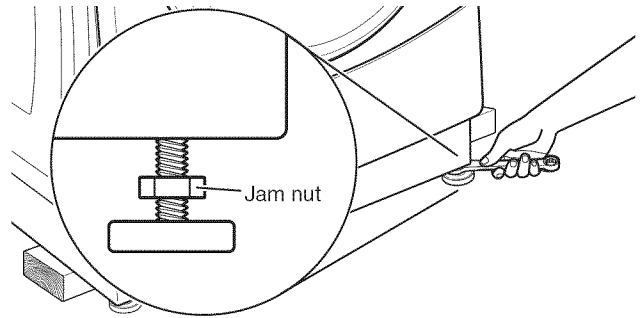
Not Level

2. Grip washer/dryer from top and rock back and forth, making sure all four feet are firmly on floor. Repeat, rocking washer/dryer from side to side. If washer/dryer rocks, go to Step 3 and adjust leveling feet. If all four feet are in firm contact with floor, go to Step 4.



3. If washer/dryer is not level, use a 14 mm or 9/16" open-end or adjustable wrench to turn jam nuts clockwise (as viewed from above) on feet until they are about 13 mm (1/2") from the washer/dryer cabinet. Then turn the leveling foot counterclockwise to lower the washer/dryer or clockwise to raise the washer/dryer. Recheck levelness of washer/dryer and that all four feet are firmly in contact with the floor. Repeat as needed.

HELPFUL TIP: You may want to prop up front of washer/dryer about 102 mm (4") with a wood block or similar object that will support weight of washer/dryer.



4. When washer/dryer is level and all four feet are firmly in contact with the floor, use a 14 mm or 9/16" open-end or adjustable wrench to turn jam nuts counterclockwise (as viewed from above) on leveling feet tightly against washer/dryer cabinet.

HELPFUL TIP: You may want to prop washer/dryer with wooden block.

COMPLETE INSTALLATION

1. Check the electrical requirements. Be sure that you have the correct electrical supply and the recommended grounding method. See "Electrical Requirements."
2. Check that all parts are now installed. If there is an extra part, go back through the steps.
3. Check that you have all of your tools.
4. Dispose of/recycle all packaging materials.
5. Check that the water faucets are on.
6. Check for leaks around faucets and inlet hoses.
7. To test and to clean your washer, measure 1/2 the detergent manufacturer's recommended amount of High Efficiency (HE) detergent for a medium-size load. Pour the detergent into the detergent dispenser. Select any cycle and allow the washer to complete one whole cycle.

8. Check dryer operation. Using a full heat cycle, let the dryer run for at least five minutes. Dryer will stop when time is used up.

NOTE: Dryer door must be closed for dryer to operate. When door is open, dryer stops, but timer continues to run. To restart dryer, close door and push cycle button.

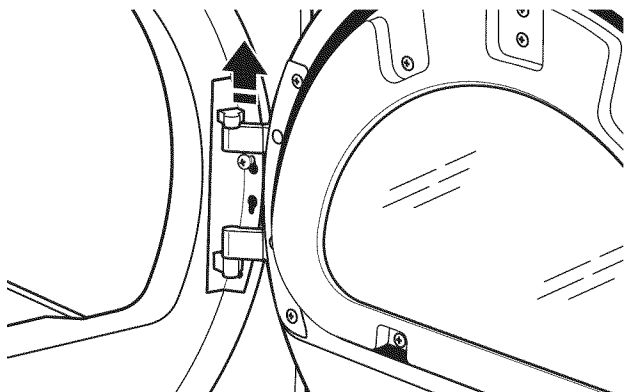
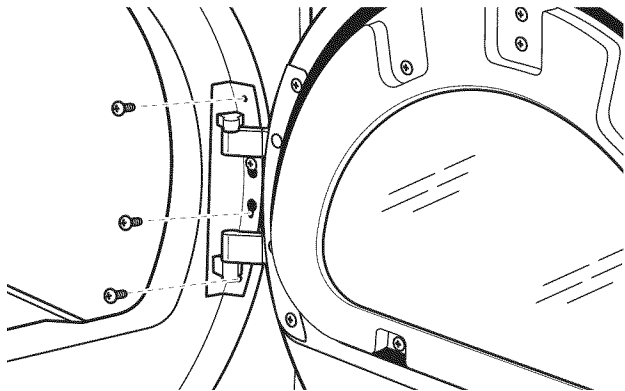
If the burner does not ignite and you can feel no heat inside the dryer, shut off dryer for five minutes. Check that all supply valve controls are in ON position and that the electrical cord is plugged in. Repeat five-minute test.

REVERSING DRYER DOOR SWING

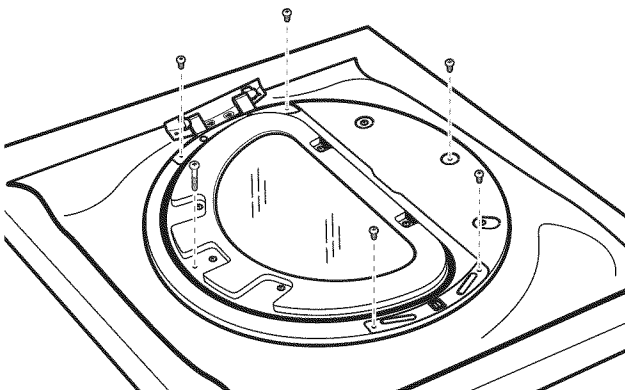
NOTE: Dryer only. Washer door is not reversible.

Remove the Door Assembly

1. Place a towel or soft cloth on top of dryer or work space to avoid scratching of the surface.
2. Remove 3 of the 4 screws that hold the door hinge on the front panel of the dryer. Partially loosen the remaining screw with keyhole opening and lift the door off the screw.

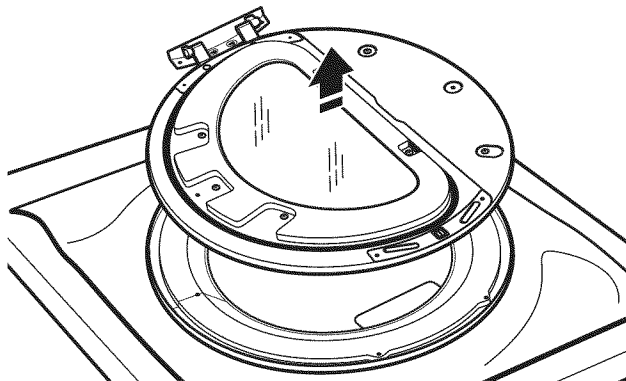


3. Lay the door assembly on a previously prepared flat surface with the inside (inner door assembly) facing up, and remove 6 phillips-head screws to release outer door assembly from inner door assembly.

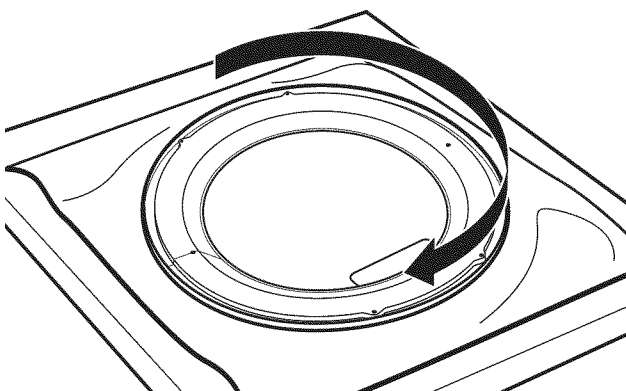


NOTE: It is important that you remove only 6 indicated screws.

4. Lift the inner door assembly off outer door assembly.

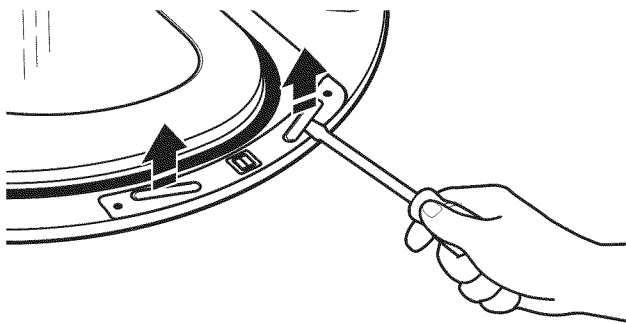


5. Rotate outer door 180°.

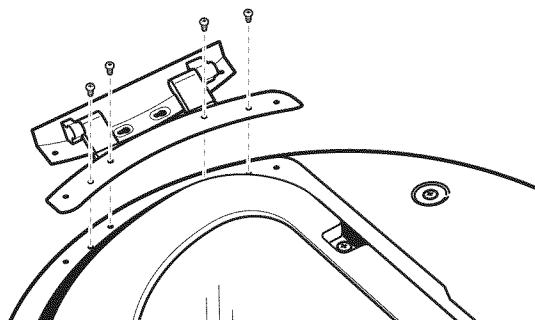


Reverse Hinge

1. Use a small flat-blade screwdriver to remove 2 plug strips from the inner door. Slide the head of the screwdriver under the plugs, without scratching inner door surface, and lift up strip.

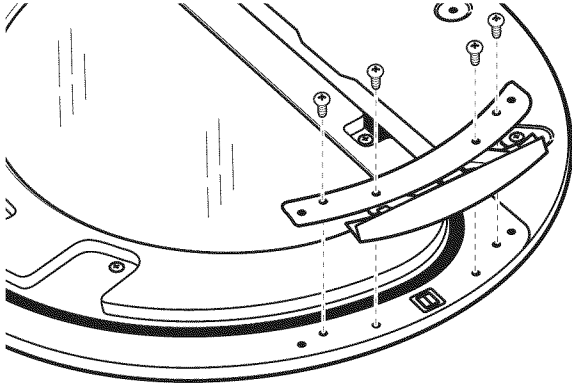


2. Remove the 4 screws that attach to inner door hinge.

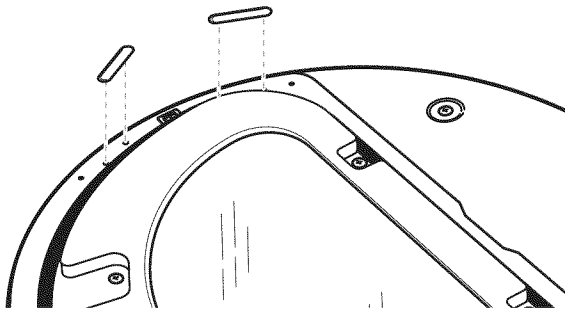


REVERSING DRYER DOOR SWING

3. Move hinge to other side. Reinstall 4 screws.



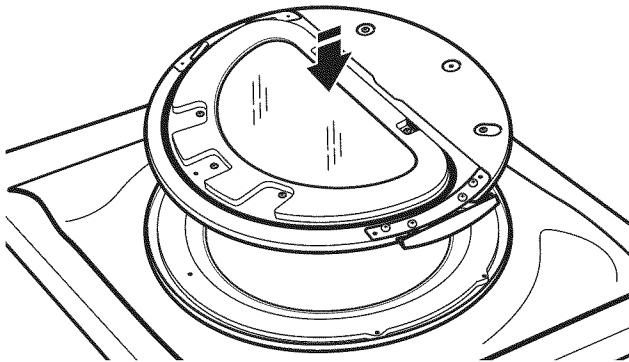
4. Reinstall plug strips on opposite side of the inner door.



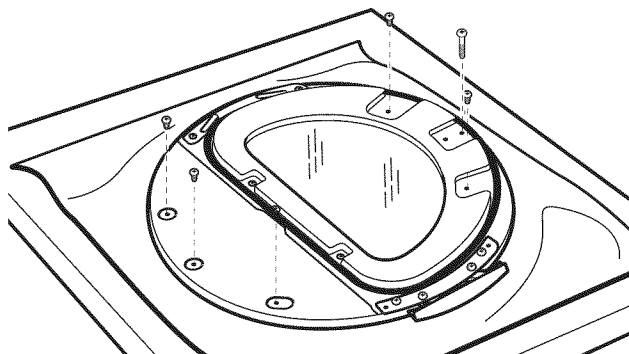
5. Check for fingerprints on the glass. Clean if necessary.

Replace the Door Assembly

1. Place the inner door assembly inside the outer door assembly.

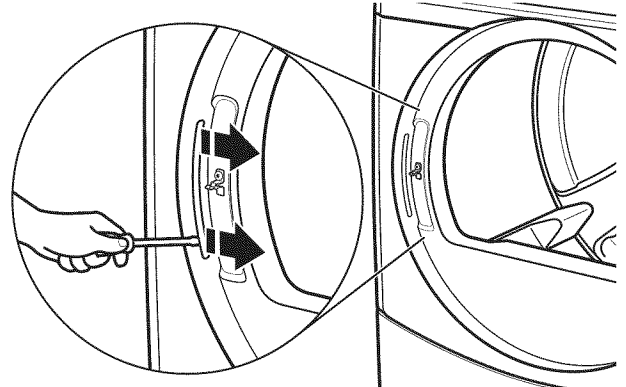


2. Reassemble the inner and outer door assemblies with the 6 screws.

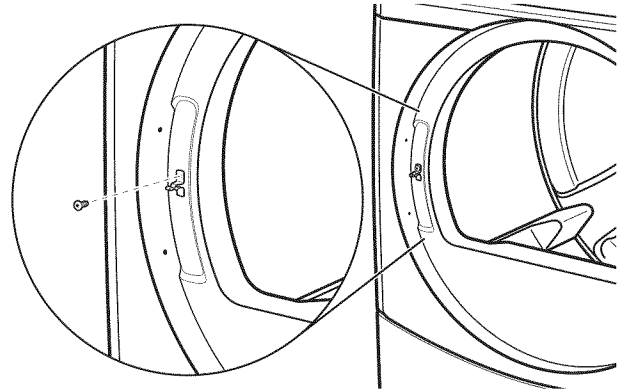


Reverse the strike

1. Use a small flat-blade screwdriver to remove plug strip from the dryer door opening. Slide the head of the screwdriver under the plugs without scratching dryer surface, and lift up strip.



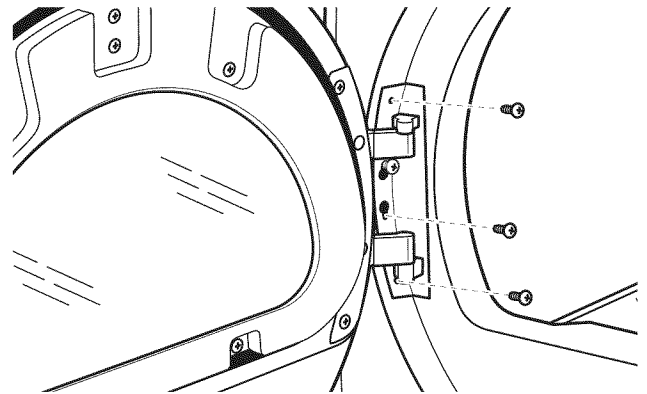
2. Remove the strike using a Phillips screwdriver.



3. Insert strike on the opposite side.

Reinstall the door

1. Partially insert the third screw from the top; then, slide the hinge onto this screw while hooking the hinge into the front panel hole. Reattach door to dryer front panel with the remaining three screws.



2. Check for fingerprints on the glass. Clean if necessary.

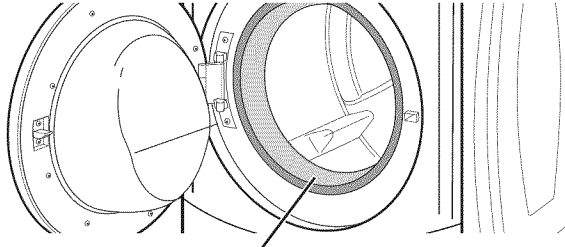
3. Close door and check that it latches securely.

STACKED WASHER/DRYER MAINTENANCE INSTRUCTIONS

Washer

Cleaning the Door Seal/Bellow

1. Open the washer door and remove any clothing or items from the washer.
2. Inspect inner glass door. If debris is present, wipe it off using a damp cloth.
3. Inspect the colored seal/bellow between the door opening and the basket for stained areas. Pull back the seal/bellow to inspect all areas under the seal/bellow and to check for foreign objects.



Seal/Bellow

4. If stained areas are found, wipe down these areas of the seal/bellow:
 - a) Mix a dilute solution, using 177 mL (3/4 cup) of liquid chlorine bleach, and 3.8 L (1 gal.) of warm tap water.
 - b) Wipe the seal/bellow area with the dilute solution, using a damp cloth.
 - c) Let stand 5 minutes.
 - d) Wipe down area thoroughly with a dry cloth and let the washer interior air dry with door open.

IMPORTANT:

- Wear rubber gloves when cleaning for prolonged periods.
- Refer to the bleach manufacturer's instructions for proper use.

Maintenance Instructions:

This washer has a special cycle that uses higher water volumes in combination with liquid chlorine bleach to thoroughly clean the inside of the washer.

NOTES:

- Read these instructions completely before beginning the cleaning process.
- If necessary, the cleaning cycle may be interrupted by pressing the lower-right (QUICK CYCLE) button twice. However, this will not immediately stop the cycle. The washer will continue with several rinse and drain steps to ensure that all remaining bleach is rinsed from the washer.

To clean washer interior:

1. Open the washer door and remove any clothing or items from the washer.
2. **Use liquid chlorine bleach:**
Open the dispenser drawer and immediately add 160 mL (2/3 cup) of liquid chlorine bleach to the bleach compartment.
NOTE: Do not add any detergent. Use of more than 160 mL (2/3 cup) of bleach will cause product damage over time.
3. Close the washer door and the dispenser drawer.
4. To start the Washer Cleanout cycle, first enter "Service Mode." Then press and hold the lower-right (QUICK CYCLE) button for 2 seconds. With the entire display flashing, press the center-right button.
To exit out of the service mode and activate the clean wash cycle, push the button, then turn the key.
NOTE: The door will lock, the basket will rotate 1/2 turn, then the door will unlock and lock again, then the Washer Cleanout Cycle will continue.
 - The washer will not fill, but the basket will rotate while the washer runs a short sensing cycle. This will take approximately 3 minutes.
5. The cycle will determine whether clothing or other items are in the washer.
 - a) If no items are detected in the washer, it will proceed to Step 7.
 - b) If any items are detected in the washer, "F-34" will be displayed. Then the door will unlock.
 - Enter the service mode and then press and hold the lower-right (QUICK CYCLE) button to cancel the failure code. Then repeat steps 1, 3, and 4 to start the cycle again.
6. Once the cycle has begun, allow the cycle to complete.
7. After the cycle is complete, leave the door open slightly to allow for better ventilation and drying of washer interior.

STACKED WASHER/DRYER MAINTENANCE INSTRUCTIONS

Washer

Always do the following to maintain washer freshness:

- Use only HE High Efficiency detergent.
- Leave the door slightly open after each cycle to allow for better ventilation and drying of washer interior.
- Clean the washer monthly using the Washer Maintenance Procedure, using 160 mL (2/3 cup) of liquid chlorine bleach.
- If the procedure does not sufficiently improve the washer freshness, please evaluate your installation and usage conditions for other causes.

Cleaning the exterior

Use a soft damp cloth or sponge to wipe up any spills. Occasionally wipe the outside of your washer to keep it looking new. Use mild soap and water. Do not use abrasive products.

Cleaning the dispenser drawer

The dispenser drawer is removable for easy cleaning.

1. Unlock the dispenser drawer for removal by inserting a flat-blade screwdriver into the catch release. Remove the dispenser drawer.
2. Remove the inserts (the siphon from the softener and bleach compartments).
3. Wash the parts under running water.

NOTE: Do not wash components in the dishwasher.

4. Replace the inserts and return the dispenser to the drawer.

Water inlet hoses

Replace the inlet hoses after 5 years of use to reduce the risk of hose failure. Periodically inspect and replace inlet hoses if bulges, kinks, cuts, wear, or leaks are found.

When replacing your inlet hoses, record the date of replacement.

Dryer

Maintenance instructions:

- Clean lint screen before and after each cycle.
- Removing accumulated lint:
 - From inside the dryer cabinet:
Lint should be removed every 2 years or more often, depending on dryer usage. Cleaning should be done by a qualified person.
 - From the exhaust vent:
Lint should be removed every 2 years, or more often, depending on dryer usage.
- Keep area around dryer clear and free from combustible materials, gasoline and other flammable vapors and liquids.
- Keep dryer area clear and free from items that would obstruct the flow of combustion and ventilation air.

If dryer does not operate, check the following:

- Electrical supply is connected.
- Circuit breaker is not tripped or house fuse is not blown.
- Door is closed. Listen closely to hear the door switch activate.
- Cycle selection button has been pushed firmly.
- For gas dryers, check that gas supply shut-off valves are set in open position.

IF YOU NEED ASSISTANCE

If you need help, contact the dealer from whom you purchased the appliance, or a Maytag designated service company. When calling, please know the purchase date and the complete model and serial number of your appliance. This information will help us to better respond to your request.

Accessories

Enhance your washer/dryer with these premium accessories. For more high-quality items or to order, contact your authorized Maytag distributor.

Part Number	Accessory
8212526	Washer drip trays; fits under all
31682	All-purpose appliance cleaner
1903WH	Laundry supply storage cart

Whirlpool Corporation, Benton Harbor, Michigan 49022, U.S.A.
Marion Division
1300 Marion-Agosta Road
Marion, OH 43301

EU representative: Maytag UK Ltd, Redhill, RH1 1AX, UK
BAUKNECHT HAUSERGRÄTE Gmb H, D-73614 Schorndorf

TECHNICAL SPECIFICATIONS – GAS DRYER

220-240V~50Hz 1ph 10A max. IPX4 Clothes capacity: 9.0 kg max. Sound pressure level, Lpa: 58 dBA (uncertainty, Kpa: +/-10 dBA) Total mass: 174 kg max.

Factory set for NATURAL GAS: Injector size: 2.2 mm Heat input gross: 5.9 kW

Country:	CH, CZ, CY, ES, GB, GR, HR, IE, IT, PT, SI, SK, TR	CY, CZ, DK, EE, FI, GR, HU, IT, NO, RO, SE, SK, TR
European Gas Category:	II _{2H3+}	II _{2H3B/P}
Gas Flow Rate:	0.562703 m ³ /hr	0.562703 m ³ /hr
Supply Pressure (G20):	20 mbar	20 mbar
Factory Adjusted Pressure:	7.4 mbar	7.4 mbar

With LP Gas Conversion Kit: Injector size: 1.25 mm Heat input gross: 6.4 kW

European Country:	CH, CZ, CY, ES, GB, GR, HR, IE, IT, PT, SI, SK, TR	CY, CZ, DK, EE, FI, GR, HU, IT, NO, RO, SE, SK, TR
European Gas Category:	II _{2H3+}	II _{2H3B/P}
Butane Supply Pressure (G30):	28-30 mbar	30 mbar
Adjusted Pressure:	N/A	N/A
Propane Supply Pressure (G31):	37 mbar	30 mbar
Adjusted Pressure:	N/A	N/A

With France/Belgium NATURAL GAS conversion kit: Injector size 1.65 mm Heat input gross: 5.9 kW

European Country:	FR, BE
European Gas Category:	I _{2E+}
Supply Pressure (G20):	20 mbar
Supply Pressure (G25):	25 mbar
Adjusted Pressure:	N/A

Factory set for Australia/New Zealand NATURAL GAS: Injector size: 2.2 mm Heat input gross: 5.9 kW

Country:	AS, NZS
Supply Pressure (G20):	minimum 1.13 kPa
Adjusted Pressure (Test Point Pressure):	0.74 kPa
Nominal Hourly Gas Consumption:	21.1 MJ/h

With Australia LG Gas Conversion Kit: Injector Size: 1.40 mm Heat input gross: 6.54 kW

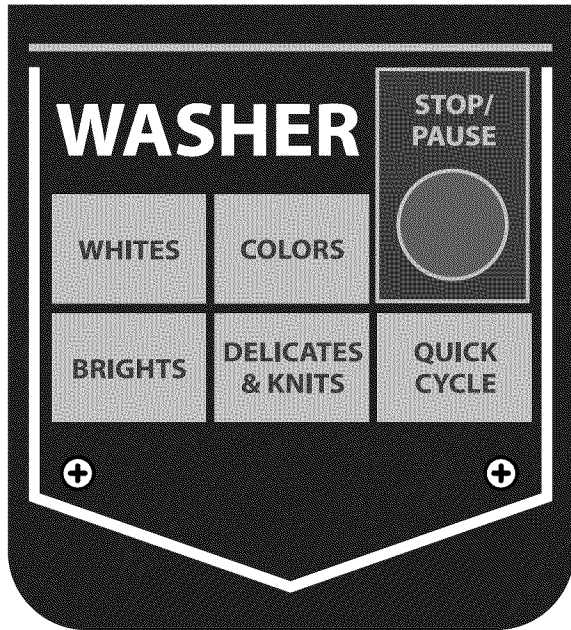
Country:	AS, NZS
Propane Supply Pressure:	2.75 kPa
Adjusted Pressure:	2.75 kPa
Nominal Hourly Gas Consumption:	23 MJ/h

Factory set for NATURAL GAS: Injector size: 2.2 mm Heat input gross: 5.0 kW

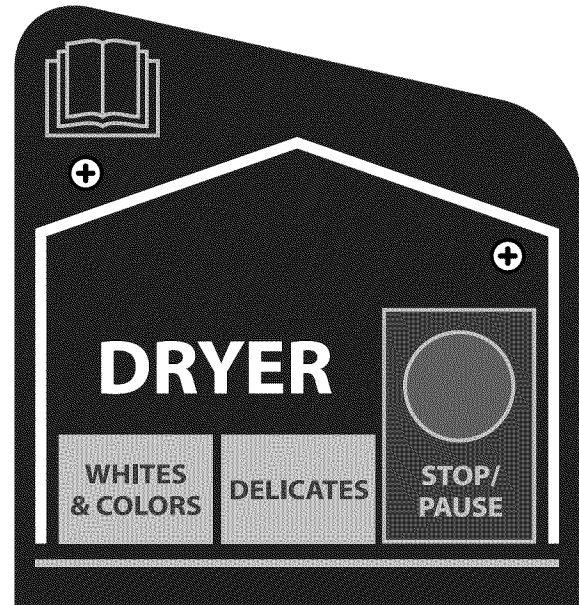
Country:	NL
European Gas Category:	II _{2L3B/P}
Gas Flow Rate:	0.562703 m ³ /hr
Supply Pressure (G25):	25 mbar
Factory Adjusted Pressure (G25) :	7.4 mbar
Supply Pressure (G30/G31):	30 mbar
Factory Adjusted Pressure (G30/G31):	Not Applicable

NOTE: Conversion kit: From Natural Gas to LP Gas - Europe: Whirlpool Part No. W10233219.
 Conversion kit: From Natural Gas to LP Gas - Australia: Whirlpool Part No. W10315369.
 Conversion kit: From Natural Gas to Natural Gas - France/Belgium: Whirlpool Part No. W10181947.
 Manufacturer: Whirlpool Corporation, Benton Harbor, Michigan 49022, U.S.A.
 Manufacturing Site: Whirlpool Corporation, 1300 Marion-Agosta Rd., Marion, OH, 43302, U.S.A.
 EU Representatives: Maytag UK Ltd., 2 St. Annes Blvd., Redhill, RH1 1AX, UK
 & Bauknecht Hausgeräte GmbH, D-73614 Schorndorf, Germany

ELECTRONIC CONTROL SETUP INSTRUCTIONS



Washer Control



Dryer Control

NOTE: After the washer/dryer has been installed and plugged in, the display will show "0 MINUTES" on the washer and dryer portions of the display. After the washer and dryer doors have been opened and closed, the display will show the price for each machine. On washer/dryers set for free cycles, the display sections will flash "SELECT CYCLE."

1. PD Models: Insert coins until "SELECT CYCLE" flashes on the display portion of the washer or dryer that is to be run.

PN Models: Sent from the factory as Free Vend. If a debit card reader is installed, then a debit card is required rather than coins. Generation 1 or 2 debit card systems may be used; but when the Generation 2 debit system is used, the controls will automatically be set to Enhanced Debit mode (J. Ed). In Enhanced Debit mode, the card balance will also display when a debit card is inserted into the reader.

2. Door must be closed on the desired washer/dryer before cycle selection is made.

3. Press the fabric setting button for the washer/dryer cycle desired. After the cycle is started, the time will display and count down.

4. If a cycle is interrupted by opening the door or power loss, "RESELECT CYCLE" will flash in the display. To restart the washer/dryer, close door and reselect desired cycle.

NOTE: When set for free vend operation an ongoing dryer cycle will cancel if the door is opened.

General Washer/Dryer User Information

SCROLLING "OUT OF ORDER" MESSAGE, FOLLOWED BY A FAILURE OR DIAGNOSTIC CODE, SHOWING IN DISPLAY – This condition indicates the washer/dryer is inoperative. Diagnostic codes being displayed on the upper portion of the display pertain to the dryer section, and diagnostic codes displayed on the lower portion of the display apply to the washer section. Diagnostic codes displayed on both the upper and lower portions of the display pertain to the control system of both the washer and dryer.

"0 MINUTES" SHOWING IN DISPLAY – This indicates the cycle is complete and the washer/dryer cannot be operated. Coins dropped or debit inputs during this condition will be stored in escrow but cannot be used until normal operation is restored by opening and closing the door. If a door switch has failed, causing "0 MINUTES" to remain in the display after the door is opened and closed, it must be replaced before normal operation can be restored.

COLD START (Initial first use) – Washer/dryer is programmed at the factory as follows:

Washer	11-minute wash period
	1.75 wash price (PD models)
	0.00 wash price (PN models)
	3 rinses (extra rinse not enabled)
Dryer	5 minutes per coin for PD models
	45 minutes dry time for PN models
	1.50 dry price (fixed cycle with top off – PD Models)
	0.00 dry price (fixed cycle – PN Models)

ELECTRONIC CONTROL SETUP INSTRUCTIONS

WARM START (after power failure) – A few seconds after power is restored, if a cycle was in progress at the time of the power failure, “RESELECT CYCLE” will flash in the display, indicating the need for a key press to restart washer or dryer.

WASHER DOOR LOCK – Prior to beginning a cycle, there is a door lock routine of lock/unlock/relock, and then cycle begins. The door will remain locked until the end of a cycle or approximately 2 minutes after a power interruption.

PRICING – After the door is opened and then closed following the completion of a cycle, the display indicates the cycle price (unless set for free operation, where the display will flash “SELECT CYCLE”). As coins are dropped or debit inputs arrive, the display will change to lead the user through the initiation of a cycle.

There are four (4) types of dryer pricing:

Fixed “Vend” Pricing

A dryer setup for “Fixed Cycle” operation can only accept additional time accumulated by increments equal to the length of a complete dry cycle. A maximum of 99 minutes may be purchased; no additional credit is given for coins dropped with 99 minutes in the display.

Accumulator Pricing

If the price is set to one coin 1, then accumulator pricing is in effect. Cycle time can be purchased one coin at a time (PD models) up to the maximum time of 99 minutes.

Fixed Cycle With Top Off Pricing

A dryer set to offer “Top Off” capability will allow time to be added to an existing dry cycle in increments equal to the number of minutes of dry time per coin (coin 1), up to 99 minutes, regardless of the cost required to start the dryer. No credit is given for coins or debit inputs entered when the control is displaying 99 minutes.

PN Models: In Enhanced Debit Mode, the top off price can be set independently (see VALUE OF COIN 2), and the top off time is calculated according to the following equation:

$$\text{top off time} = \frac{\text{top off price}}{\text{full cycle price}} \times \text{full cycle length}$$

Penny increment offset is not applied to top off purchases.

FREE CYCLES – This is established by setting the cycle price to zero. When this happens, “SELECT CYCLE” will appear rather than a cycle price. Any cycle started as a free cycle will automatically terminate when the door is opened.

DEBIT CARD READY – This washer/dryer is debit card ready. It will accept a variety of debit card systems, but does NOT come with a debit card reader. Refer to the debit card reader manufacturer for proper washer/dryer setup. In models converted to a Generation 1 debit card system, debit pulses represent the equivalent of one coin (coin 1).

Control Set-up Procedures

IMPORTANT: Read all instructions before operating.

PD/PN Models: Insert service switch key and turn counterclockwise.

PN Models: Once a Generation 2 debit card reader is installed (according to the reader manufacturer’s instructions), the set-up modes can only be changed by inserting a set-up card (supplied by the reader manufacturer) into the card slot. Inserting the service switch key and turning will only allow access to the service mode.

The washer/dryer is now in the set-up mode. The lower fabric setting buttons and the lower portion of the display are used to set up the digital control for the washer. The upper three fabric setting buttons and the upper portion of the display are used to set up the controls for the dryer.

The display can contain 4 numbers and/or letters and a decimal point on both the top and bottom display portions. These are used to indicate the set-up codes and related code values available for use in programming the washer/dryer.

How to Use the Buttons to Program the Controls

1. The lower-left (BRIGHTS) button is used to adjust the values associated with washer set-up codes and the upper-left (WHITES & COLORS) button is for the dryer. Pressing the button will change the value by increments. Rapid adjustment is possible by holding the button down.
2. The lower-middle (DELICATES & KNITS) button will advance through the set-up codes. Pressing the button will advance both the washer and dryer to the next available set-up code. Some set-up codes are washer- or dryer-specific and will not be displayed on both the washer and dryer portions of the display. Holding down the lower-middle (DELICATES & KNITS) button will automatically advance through the set-up codes at a rate faster than 1 per second.
3. The lower-right (QUICK CYCLE) button is used to select or deselect washer options; upper-right (STOP/PAUSE) is used for dryer option selection or deselection.

ELECTRONIC CONTROL SETUP INSTRUCTIONS

Start Operating Set-up

Washer/dryers are preset at the factory and do not require any programming. However, if you want to change the settings, follow the "Set-Up Codes" guide.

The code at the beginning of each segment is the factory default setting for the PD Models and is the same for the PN Models unless noted otherwise.

The set-up code is indicated by the one or two left-hand characters. The set-up code value is indicated by the two or three right-hand characters.

Set-Up Codes

Code	Explanation
6 07	REGULAR CYCLE PRICE (WASHER)
6 07	Represents the number of coins (coin 1) to start the washer; may adjust from 0–39. (See VALUE OF COIN 1.) Advance from 0–39 by pressing the lower-left (BRIGHTS) button. Factory default of 7 coins = 1.75.
6 00	PN MODELS ONLY: Factory default of 6 00, or 0 coins. ▪ Press the lower-middle (DELICATES & KNITS) button once to advance to next code.
606	REGULAR CYCLE PRICE (DRYER)
606	Represents the number of coins (coin 1) needed to start the dryer; may adjust from 0–39 (See VALUE OF COIN 1). Advance from 0–39 by pressing the upper-left (WHITES & COLORS) button. Factory default of 6 coins = 1.50.
600	PN MODELS: Factory default of 6 00, or 0 coins. ▪ Press the lower-middle (DELICATES & KNITS) button once to advance to next code.
7 11	WASH LENGTH (WASHER)
7 11	This is the number of minutes for WASH. Washer comes from the factory preset with 11 minutes. Choose from 9–17 minutes by pressing the lower-left (BRIGHTS) button. ▪ Press the lower-middle (DELICATES & KNITS) button once to advance to next code.
705	REGULAR DRY TIME (DRYER)
705	PD MODELS: Represents the number of minutes per coin (coin 1). Factory default of 5 minutes per coin. Example: 6 coins x 5 minutes = 30 minutes. By pressing the upper-left (WHITES & COLORS) button, value adjusts from 1–99 minutes.
745	PN MODELS: Represents the cycle length for free cycles. As example: "7 45" = 45 minutes. ▪ Press the lower-middle (DELICATES & KNITS) button once to advance to next code.

Code	Explanation
8 00	ADDITIONAL RINSE OPTION (WASHER) This option is either NOT SELECTED "00" or SELECTED "Ar."
8 00	Not Selected "00."
8 Ar	Selected "Ar." Cannot be combined with the Super Cycle rinse option. ▪ Press the lower-right (QUICK CYCLE) button once to change this selection. ▪ Press the lower-middle (DELICATES & KNITS) button once to advance to next code.
800	TYPE OF DRYER PRICING (DRYER)
800	Fixed Cycle with Top Off. For detailed description, see "General Washer/Dryer User Information."
8FC	PN MODELS ONLY: Factory default of FC. Fixed Cycle. For detailed description, see "General Washer/Dryer User Information." Use the upper-right (STOP/PAUSE) button to change this selection. ▪ Press the lower-middle (DELICATES & KNITS) button once to advance to next code.
9 00	CYCLE COUNTER OPTION This option is either NOT SELECTED "00" or SELECTED "0C."
9 00	Not Selected "00."
9 0C	Selected "0C" and not able to be deselected. ▪ Press the lower-right (QUICK CYCLE) button 3 consecutive times to select "0C." Once selected "0C" it cannot be deselected. ▪ Press the lower-middle (DELICATES & KNITS) button once to advance to next code.

If cycle counter (9 0C) is selected, the following is true:

1 00	Cycles in HUNDREDS	1 <u>02</u> = 200
2 00	Cycles in ONES	2 <u>25</u> = 25
		TOTAL CYCLES = 225

This is "VIEW ONLY" and cannot be cleared.

- Press the lower-middle (DELICATES & KNITS) button once to advance to next code.

ELECTRONIC CONTROL SETUP INSTRUCTIONS

Code	Explanation
1. 00	MONEY COUNTER OPTION This option is either NOT SELECTED "00" or SELECTED "0C."
1. 00	Not Selected "00."
1. 0C	Selected "0C." <ul style="list-style-type: none"> Press the lower-right (QUICK CYCLE) button 3 consecutive times to select "0C" and 3 consecutive times to deselect (Not Selected "00"). Counter resets by going from "OFF" to "ON."
1. C0	Selected "C0" and not able to be deselected. <ul style="list-style-type: none"> To select "C0" and not able to be deselected, first select "0C," then within 2 seconds, press the lower-middle (DELICATES & KNITS) button twice, the lower-left (BRIGHTS) button once, and exit set-up mode. Press the lower-middle (DELICATES & KNITS) button once to advance to next code.

Code	Explanation
2. 00	SPECIAL PRICING OPTIONS This option is either NOT SELECTED "00" or SELECTED "SP"
2. 00	Not Selected "00," and next available code will be A.00
2. SP	Selected "SP" <ul style="list-style-type: none"> Press the lower-right (QUICK CYCLE) button once to change this selection.

If SPECIAL PRICING OPTION is selected, there is access to codes "3.XX" through "9.XX."

- Press the lower-middle (DELICATES & KNITS) button once to advance to next code.

If money counter (1.0C or 1.C0) is selected, the following is true:

3 00	Currency amount in HUNDREDS	<u>3 01</u> = 100.00
4 00	Currency amount in ONES	<u>4 68</u> = 68.00
5 00	Currency amount in HUNDREDTHS	<u>5 75</u> = 00.75
		TOTAL = 168.75

OPTIONS 3.XX – 9.XX TO USE IF SPECIAL PRICING IS SELECTED

Code	Explanation
3. 07	SPECIAL CYCLE PRICE (WASHER)
3. 07	Represents the number of coins (coin 1) to start the washer; may adjust from 0–39. (See VALUE OF COIN 1.) <ul style="list-style-type: none"> Advance from 0–39 by pressing the lower-left (PERM. PRESS) button. Factory default of 7 coins = 1.75
3. 00	PN MODELS ONLY: Factory default of 0 coins. <ul style="list-style-type: none"> Press the lower-middle (DELICATES & KNITS) button once to advance to next code.
3.06	SPECIAL CYCLE PRICE (DRYER)
3.06	Represents the number of coins (coin 1) to start the dryer; may adjust from 0–39. (See VALUE OF COIN 1.) <ul style="list-style-type: none"> Advance from 0–39 by pressing the upper-left (WHITES & COLORS) button. Factory default of 6 coins = 1.50.
3.00	PN MODELS: Factory default of 0 coins. <ul style="list-style-type: none"> Press the lower-middle (DELICATES & KNITS) button once to advance to next code.
4.05	SPECIAL DRY TIME (DRYER)
4.05	PD MODELS: Represents the number of minutes per coin (coin 1). <ul style="list-style-type: none"> Factory default of 5 minutes per coin. Example: 6 coins x 5 minutes = 30 minutes. By pressing the upper-left (WHITES & COLORS) button, the value can be adjusted from 1–99 minutes.
4.45	PN MODELS: Represents the fixed cycle time in minutes. Example: "4 45" = 45 minutes. <ul style="list-style-type: none"> Press the lower-middle (DELICATES & KNITS) button once to advance to next code.
5. 00	TIME-OF-DAY CLOCK, MINUTES
5. 00	This is the TIME-OF-DAY CLOCK, minute setting; select 0–59 minutes by pressing the lower-left (BRIGHTS) button. <ul style="list-style-type: none"> Press the lower-middle (DELICATES & KNITS) button once to advance to next code.
6. 00	TIME-OF-DAY CLOCK, HOURS NOTE: Uses military time or 24 hr. clock.
6. 00	This is the TIME-OF-DAY CLOCK, hour setting; select 0–23 hours by pressing the lower-left (BRIGHTS) button. <ul style="list-style-type: none"> Press the lower-middle (DELICATES & KNITS) button once to advance to next code.

ELECTRONIC CONTROL SETUP INSTRUCTIONS

Code	Explanation																								
7.00	SPECIAL PRICE START HOUR NOTE: Uses military time or 24 hr. clock.																								
7.00	This is the start hour; 0–23 hours. <ul style="list-style-type: none"> ▪ Select START HOUR by pressing the lower-left (BRIGHTS) button. ▪ Press the lower-middle (DELICATES & KNITS) button once to advance to next code. 																								
8.00	SPECIAL PRICE STOP HOUR NOTE: Uses military time or 24 hr. clock.																								
8.00	This is the stop hour; 0–23 hours. <ul style="list-style-type: none"> ▪ Select STOP HOUR by pressing the lower-left (BRIGHTS) button. ▪ Press the lower-middle (DELICATES & KNITS) button once to advance to next code. 																								
9.10	SPECIAL PRICE DAY																								
9.10	This represents the day of the week and whether special pricing is selected for that day. A number followed by “0” indicates no selection that particular day (9.10). A number followed by an “S” indicates selected for that day (9.1S). To change the value of “0” and “S,” use the lower-right (QUICK CYCLE) button. Days of the week (1–7) are selected by pressing the lower-left (BRIGHTS) button. When exiting set-up code “9,” the display must show the current day of week: <table border="1" style="margin: 10px auto; width: 80%;"> <thead> <tr> <th>DISPLAY</th> <th>DAY OF WEEK</th> <th>CODE (selected)</th> </tr> </thead> <tbody> <tr><td>10</td><td>Day 1 = Sunday</td><td>1S</td></tr> <tr><td>20</td><td>Day 2 = Monday</td><td>2S</td></tr> <tr><td>30</td><td>Day 3 = Tuesday</td><td>3S</td></tr> <tr><td>40</td><td>Day 4 = Wednesday</td><td>4S</td></tr> <tr><td>50</td><td>Day 5 = Thursday</td><td>5S</td></tr> <tr><td>60</td><td>Day 6 = Friday</td><td>6S</td></tr> <tr><td>70</td><td>Day 7 = Saturday</td><td>7S</td></tr> </tbody> </table> <ul style="list-style-type: none"> ▪ Press the lower-middle (DELICATES & KNITS) button once to advance to next code. 	DISPLAY	DAY OF WEEK	CODE (selected)	10	Day 1 = Sunday	1S	20	Day 2 = Monday	2S	30	Day 3 = Tuesday	3S	40	Day 4 = Wednesday	4S	50	Day 5 = Thursday	5S	60	Day 6 = Friday	6S	70	Day 7 = Saturday	7S
DISPLAY	DAY OF WEEK	CODE (selected)																							
10	Day 1 = Sunday	1S																							
20	Day 2 = Monday	2S																							
30	Day 3 = Tuesday	3S																							
40	Day 4 = Wednesday	4S																							
50	Day 5 = Thursday	5S																							
60	Day 6 = Friday	6S																							
70	Day 7 = Saturday	7S																							
A.00	VAULT VIEWING OPTION This option is either NOT SELECTED “00” or SELECTED “SC.”																								
A.00	Not Selected “00.”																								
A.SC	Selected “SC.” <ul style="list-style-type: none"> ▪ Press the lower-right (QUICK CYCLE) button once to change this selection. When selected, the money and/or cycle counts will be viewable (if counter option(s) is selected) when the coin box is removed. ▪ Press the lower-middle (DELICATES & KNITS) button once to advance to next code. 																								

Code	Explanation
b.05	VALUE OF COIN 1
b.05	This represents the value of coin 1 in number of coins: 05 = 0.25. <ul style="list-style-type: none"> ▪ By pressing the lower-left (BRIGHTS) button, there is an option of 1–199 coins. ▪ Press the lower-middle (DELICATES & KNITS) button once to advance to next code.
C.20	VALUE OF COIN 2/VALUE OF DRYER TOP OFF
C.20	This represents the value of coin 2 in number of coins: 20 = 1.00.
C.05	PN MODELS: Factory default of 0.25. For models using Enhanced Debit, this field represents the value of top off in coins. <ul style="list-style-type: none"> ▪ By pressing the lower-left (BRIGHTS) button, there is an option of 1–199 coins. ▪ Press the lower-middle (DELICATES & KNITS) button once to advance to next code.
E.00	ADD COINS OPTION This option is either NOT SELECTED “00” or SELECTED “AC.” This option causes the customer display to show the number of coins (coin 1) to enter, rather than the dollars-and-cents amount. The number in the display changes as the coins are accepted.
E.00	Not Selected “00.”
E.AC	Selected “AC.” <ul style="list-style-type: none"> ▪ Press the lower-right (QUICK CYCLE) button 3 consecutive times to change this selection. ▪ Press the lower-middle (DELICATES & KNITS) button once to advance to next code.
F.00	ENHANCED PRICING OPTION (WASHER)
F.00	Not Selected “00.”
F.CP	Cycle-Based pricing enabled. This option allows configuration of different prices for cold, warm, and hot water wash cycles.
F.SU	Super Cycle pricing enabled. This option allows customers to upgrade cycles by depositing extra money. Set-up codes “H.” and “h.” will be displayed only when this option is enabled. <ul style="list-style-type: none"> ▪ Press the lower-right (QUICK CYCLE) button to change this selection. ▪ Press the lower-middle (DELICATES & KNITS) button once to advance to next code.

ELECTRONIC CONTROL SETUP INSTRUCTIONS

Code	Explanation
H. 01	SUPER CYCLE UPGRADE PRICE (WASHER) (Skipped unless Super Cycle pricing is enabled.)
H. 01	This represents the number of coin 1 required to upgrade a base cycle to a super cycle. <ul style="list-style-type: none"> ▪ Advance from 0–39 by pressing the lower-left (BRIGHTS) button. ▪ Press the lower-middle (DELICATES & KNITS) button once to advance to next code.
h. 01	SUPER CYCLE TYPE (WASHER) (Skipped unless Super Cycle pricing is enabled.)
h. 01	This represents the Super Cycle upgrade option. <ul style="list-style-type: none"> ▪ Press the lower-left (BRIGHTS) button to step through upgrade options 1 through 3 as follows: <ul style="list-style-type: none"> 01 – enhanced wash, extra 3 minutes of wash tumble in addition to the programmed wash time. 02 – extra rinse for all cycles. 03 – both 01 and 02. ▪ Press the lower-middle (DELICATES & KNITS) button once to advance to next code.
J. Cd	PAYMENT MODE (COIN/DEBIT OPTION)
J. Cd	Both coin and debit selected. Press the lower-right (QUICK CYCLE) button 3 consecutive times to change this selection.
J. C_	Coins selected, debit disabled. Press the lower-right (QUICK CYCLE) button 3 consecutive times to change this selection.
J. _d	PN models: Factory default to J. _d. Debit Card selected, coins disabled. Press the lower-right (QUICK CYCLE) button 3 consecutive times to change this selection.
J. Ed	Enhanced Debit is self-selected when a Generation 2 card reader is installed in the washer/dryer. The Ed option cannot be manually selected or deselected. <ul style="list-style-type: none"> ▪ Press the lower-middle (DELICATES & KNITS) button once to advance to next code.
L. 00	PRICE SUPPRESSION OPTION This option causes the customer display to show “ADD” or “AVAILABLE” rather than the amount of money to add. (Used mainly in debit installations.)
L. 00	Not Selected “00.”
L. PS	Selected “PS.” <ul style="list-style-type: none"> ▪ Press the lower-right (QUICK CYCLE) button once to change this selection. ▪ Press the lower-middle (DELICATES & KNITS) button once to advance to next code.
n. CE	CLEAR ESCROW OPTION When selected, money held in escrow for 30 minutes without further escrow or cycle activity will be cleared.
n. 00	Not Selected “00.”
n. CE	Selected “CE.” <ul style="list-style-type: none"> ▪ Press the lower-right (QUICK CYCLE) button once to change this selection. ▪ Press the lower-middle (DELICATES & KNITS) button once to advance to next code.

Code	Explanation
r. 800	TOP SPIN SPEED RPM (WASHER)
r. 800	This can be selected from the following spin speeds: 600 rpm, 750 rpm, 800 rpm, 1000 (displays as 999) rpm. <ul style="list-style-type: none"> ▪ Step between speeds by pressing the lower-left (BRIGHTS) button. Factory default of 800 rpm. ▪ Press the lower-middle (DELICATES & KNITS) button once to advance to next code.
U. 00	COIN INCREMENT OFFSET (WASHER)
U. 00	This represents the coin increment price offset used in Generation 2 (Enhanced Debit) PN models. Choose from 0–4 pennies by pressing the lower-left (BRIGHTS) button. <ul style="list-style-type: none"> ▪ Press the lower-middle (DELICATES & KNITS) button once to advance to next code.
U.00	COIN INCREMENT OFFSET (DRYER)
U.00	This represents the coin increment price offset used in Generation 2 (Enhanced Debit) PN models. Choose from 0–4 coins by pressing the upper-left (WHITES & COLORS) button. <ul style="list-style-type: none"> ▪ Press the lower-middle (DELICATES & KNITS) button once to advance to next code.
A1. 00	PREWASH LENGTH (WASHER)
A1. 00	This is the number of minutes of PREWASH. Choose 00 to disable the prewash or select between 2 and 7 minutes by pressing the lower-left (BRIGHTS) button. <ul style="list-style-type: none"> ▪ Press the lower-middle (DELICATES & KNITS) button once to advance to next code.
A2. 03	FINAL SPIN LENGTH (WASHER)
A2. 03	This is the number of minutes of final high speed spin. Choose from 03–08 minutes by pressing the lower-left (BRIGHTS) button. <ul style="list-style-type: none"> ▪ Press the lower-middle (DELICATES & KNITS) button once to advance to next code.

END of SET-UP PROCEDURES.

EXIT FROM SET-UP MODE

PD Models: Turn service switch key clockwise and remove it.

PN Models: Remove manual set-up card.

MAYTAG® COMMERCIAL SINGLE-LOAD AND VENDED MULTI-LOAD WASHER AND DRYER WARRANTY

LIMITED WARRANTY ON PARTS

For the first five years from the date of purchase, when this commercial appliance is installed, maintained and operated according to the instructions attached to or furnished with the product, Maytag brand of Whirlpool Corporation (hereafter "Maytag") will pay for factory specified parts or original equipment manufacturer parts to correct defects in materials or workmanship. Proof of original purchase date is required to obtain service under this warranty.

ITEMS MAYTAG WILL NOT PAY FOR

1. All other costs including labor, transportation, or custom duties.
 2. Service calls to correct the installation of your commercial appliance, to instruct you how to use your commercial appliance, to replace or repair fuses, or to correct external wiring or plumbing.
 3. Repairs when your commercial appliance is used for other than normal, commercial use.
 4. Damage resulting from improper handling of product during delivery, theft, accident, alteration, misuse, abuse, fire, flood, acts of God, improper installation, installation not in accordance with local electrical or plumbing codes, or use of products not approved by Maytag.
 5. Pickup and Delivery. This commercial appliance is designed to be repaired on location.
 6. Repairs to parts or systems resulting from unauthorized modifications made to the commercial appliance.
 7. The removal and reinstallation of your commercial appliance if it is installed in an inaccessible location or is not installed in accordance with published installation instructions.
 8. Chemical damage is excluded from all warranty coverage.
 9. Changes to the building, room, or location needed in order to make the commercial appliance operate correctly.
 10. Repairs made by a non-Whirlpool authorized service technician.
-

DISCLAIMER OF IMPLIED WARRANTIES; LIMITATIONS OF REMEDIES

CUSTOMER'S SOLE AND EXCLUSIVE REMEDY UNDER THIS LIMITED WARRANTY SHALL BE PRODUCT REPAIR AS PROVIDED HEREIN. IMPLIED WARRANTIES, INCLUDING WARRANTIES OF MERCHANTABILITY OR FITNESS FOR A PARTICULAR PURPOSE, ARE LIMITED TO ONE YEAR OR THE SHORTEST PERIOD ALLOWED BY LAW. WHIRLPOOL SHALL NOT BE LIABLE FOR INCIDENTAL OR CONSEQUENTIAL DAMAGES. SOME STATES AND PROVINCES DO NOT ALLOW THE EXCLUSION OR LIMITATION OF INCIDENTAL OR CONSEQUENTIAL DAMAGES, OR LIMITATIONS ON THE DURATION OF IMPLIED WARRANTIES OF MERCHANTABILITY OR FITNESS, SO THESE EXCLUSIONS OR LIMITATIONS MAY NOT APPLY TO YOU. THIS WARRANTY GIVES YOU SPECIFIC LEGAL RIGHTS AND YOU MAY ALSO HAVE OTHER RIGHTS, WHICH VARY FROM STATE TO STATE OR PROVINCE TO PROVINCE.

If you need service, please contact your authorized Maytag® Commercial Laundry distributor. To locate your authorized Maytag® Commercial Laundry distributor, or for web inquiries, visit www.MaytagCommercialLaundry.com.

3/10

For written correspondence:

Maytag® Commercial Laundry Service Department
2000 M-63 North
Benton Harbor, Michigan 49022 USA

