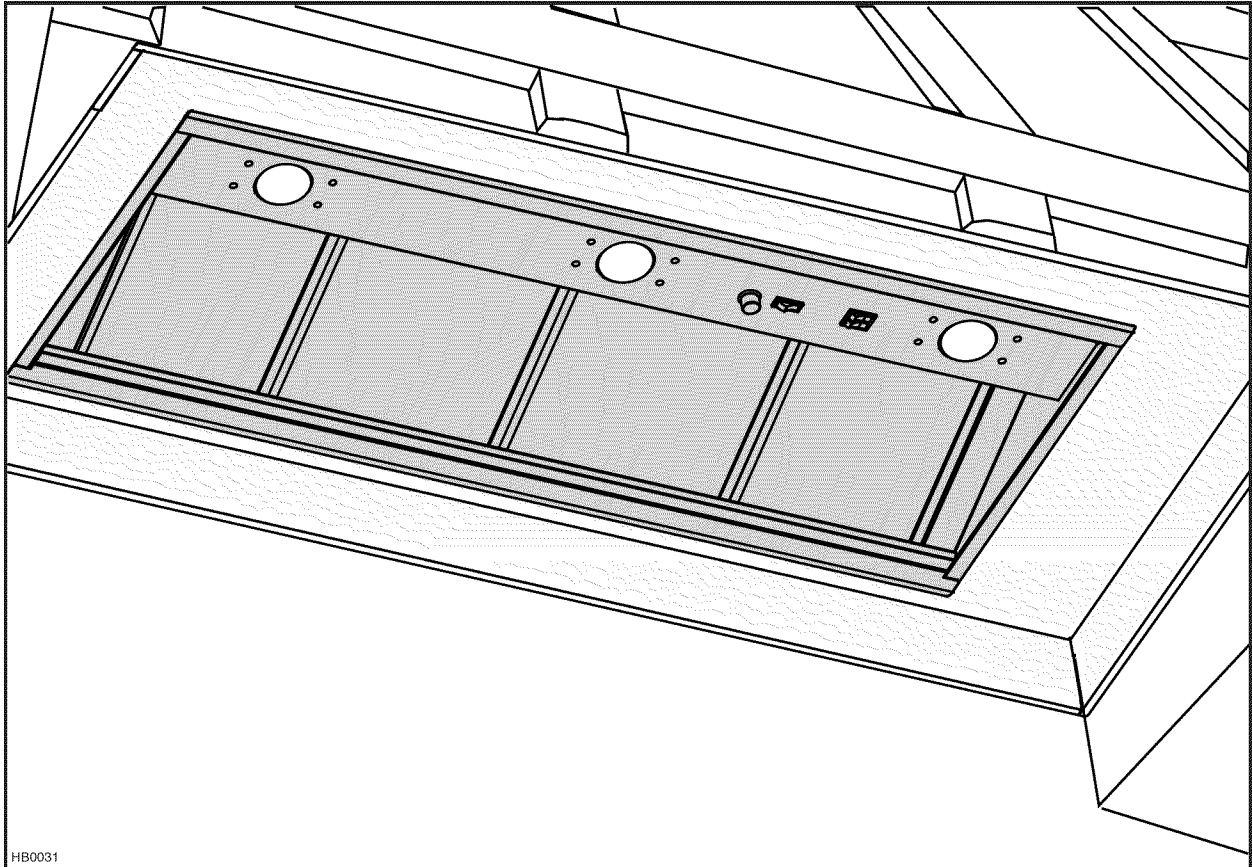


INSTALLATION INSTRUCTIONS

BROAN[®] *Elite*



MODELS RMIP33 AND RMIP45

⚠ INTENDED FOR DOMESTIC COOKING ONLY ⚠

READ AND SAVE THESE INSTRUCTIONS

INSTALLER: LEAVE THIS MANUAL WITH HOMEOWNER.
HOMEOWNER: USE AND CARE INFORMATION ON PAGES 12 AND 13.

Broan-NuTone LLC; Hartford, Wisconsin www.broan.com 800-558-1711
Broan-NuTone Canada; Mississauga, Ontario www.broan.ca 877-896-1119

REGISTER YOUR PRODUCT ON LINE AT: www.broan.com/register

WARNING

TO REDUCE THE RISK OF FIRE, ELECTRIC SHOCK OR INJURY TO PERSONS, OBSERVE THE FOLLOWING:

1. Use this unit only in the manner intended by the manufacturer. If you have questions, contact the manufacturer at the address or telephone number listed in the warranty.
2. Before servicing or cleaning unit, switch power off at service panel and lock service disconnecting means to prevent power from being switched on accidentally. When the service disconnecting means cannot be locked, securely fasten a prominent warning device, such as a tag, to the service panel.
3. Installation work and electrical wiring must be done by qualified personnel in accordance with all applicable codes and standards, including fire-rated construction codes and standards.
4. Sufficient air is needed for proper combustion and exhausting of gases through the flue (chimney) of fuel burning equipment to prevent backdrafting. Follow the heating equipment manufacturer's guidelines and safety standards such as those published by the National Fire Protection Association (NFPA), and the American Society for Heating, Refrigeration and Air Conditioning Engineers (ASHRAE), and the local code authorities.
5. When cutting or drilling into wall or ceiling, do not damage electrical wiring and other hidden utilities.
6. Ducted fans must always be vented to the outdoors.
7. Do not use this unit with any solid-state speed control device other than RMIPWC optional wall mounted control.
8. To reduce the risk of fire, use only metal ductwork.
9. This unit must be grounded.
10. When applicable local regulations comprise more restrictive installation and/or certification requirements, the aforementioned requirements prevail on those of this document and the installer agrees to conform to these at his own expenses.

TO REDUCE THE RISK OF A RANGE TOP GREASE FIRE:

- a) Never leave surface units unattended at high settings. Boilovers cause smoking and greasy spillovers that may ignite. Heat oils slowly on low or medium settings.
- b) Always turn hood ON when cooking at high heat or when cooking flaming foods.
- c) Clean ventilating fans frequently. Grease should not be allowed to accumulate on fan or filter.
- d) Use proper pan size. Always use cookware appropriate for the size of the surface element.

WARNING

TO REDUCE THE RISK OF INJURY TO PERSONS IN THE EVENT OF A RANGE TOP GREASE FIRE, OBSERVE THE FOLLOWING*:

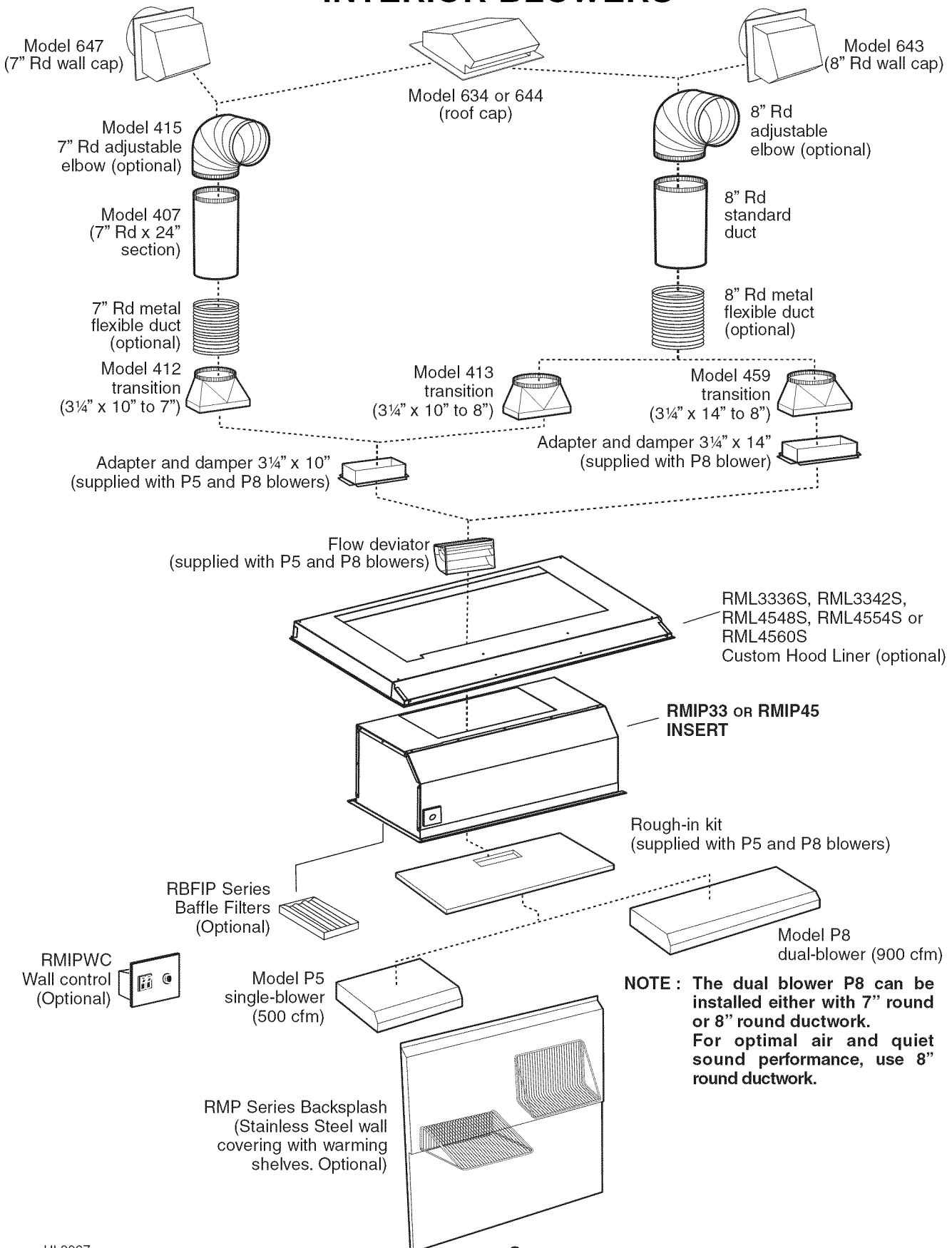
1. SMOTHER FLAMES with a close-fitting lid, cookie sheet or metal tray, then turn off the burner. BE CAREFUL TO PREVENT BURNS. IF THE FLAMES DO NOT GO OUT IMMEDIATELY, EVACUATE AND CALL THE FIRE DEPARTMENT.
2. NEVER PICK UP A FLAMING PAN – You may be burned.
3. DO NOT USE WATER, including wet dishcloths or towels – This could cause a violent steam explosion.
4. Use an extinguisher ONLY if:
 - A. You own a Class ABC extinguisher and you know how to operate it.
 - B. The fire is small and contained in the area where it started.
 - C. The fire department has been called.
 - D. You can fight the fire with your back to an exit.

* Based on "Kitchen Fire Safety Tips" published by NFPA.

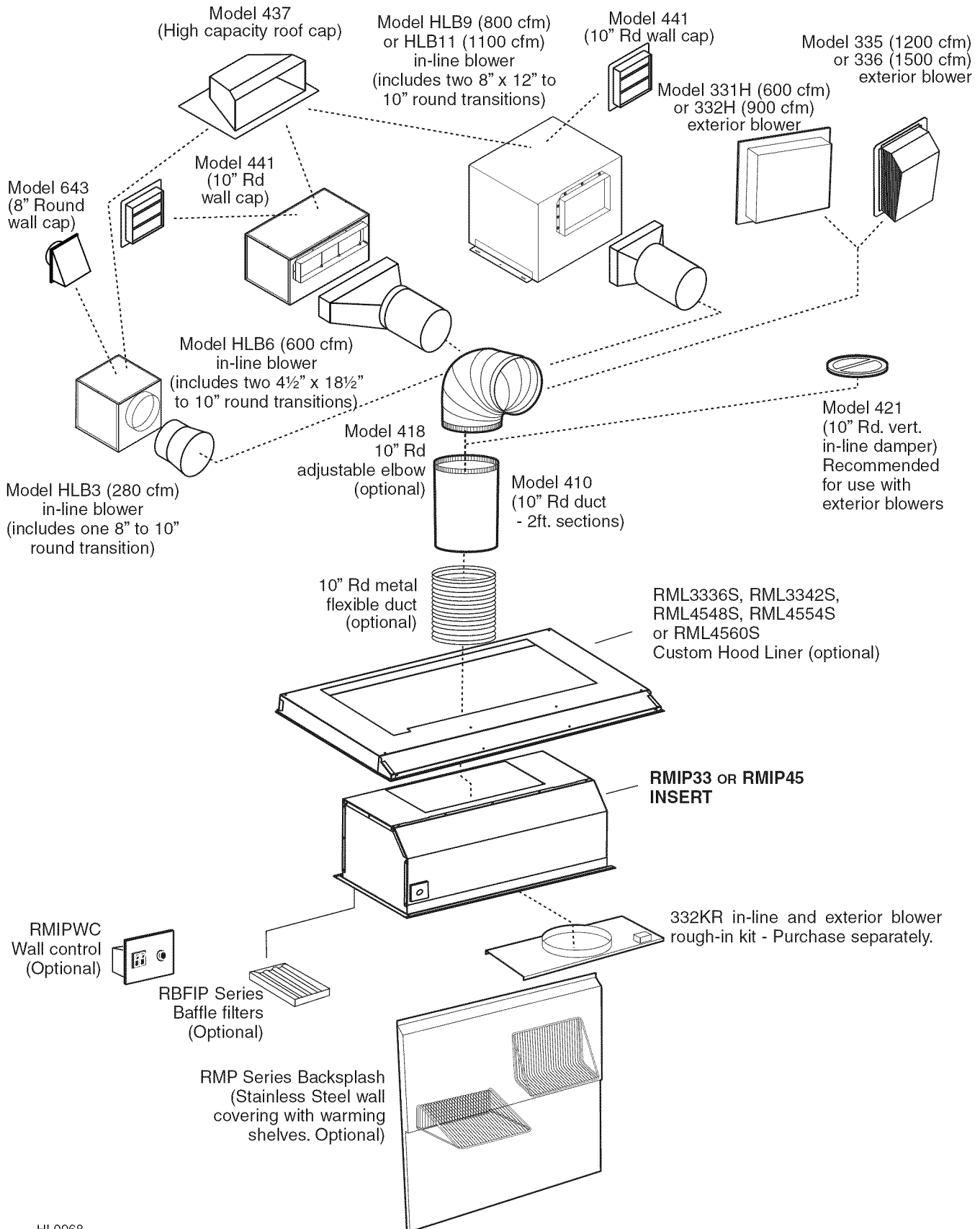
CAUTION

1. For indoor use only
2. For general ventilating use only. Do not use to exhaust hazardous or explosive materials and vapors.
3. To avoid motor bearing damage and noisy and/or unbalanced impellers, keep drywall spray, construction dust, etc. off power unit.
4. Your insert motor has a thermal overload which will automatically shut off the motor if it becomes overheated. The motor will restart when it cools down. If the motor continues to shut off and restart, have the insert serviced.
5. The minimum hood distance above cooktop must not be less than 24". A maximum of 30" above cooktop is highly recommended for best capture of cooking impurities.
6. Two installers are recommended because of the large size and weight of this unit.
7. To reduce the risk of fire and to properly exhaust air, be sure to duct air outside – Do not exhaust air into spaces within walls or ceiling or into attics, crawl space or garage.
8. This product is equipped with a thermostat which may start blower automatically. To reduce the risk of injury and to prevent power from being switched on accidentally, switch power off at service panel and lock or tag service panel.
9. Because of the high exhausting capacity of this unit, you should make sure enough air is entering the house to replace exhausted air by opening a window close to or in the kitchen.
10. To reduce the risk of fire and electrical shock, the Broan Elite models RMIP33 and RMIP45 must be installed only with Broan interior blower models P5 or P8; Broan exterior models 331H, 332H, 335 or 336; Broan in-line blowers models HLB3, HLB6, HLB9, HLB11. Other blowers cannot be substituted. (Blowers sold separately).
11. Use with approved cord-connection kit only.
12. Please read specification label on product for further information and requirements.

- RMIP33 AND RMIP45 INSERT SYSTEM - INTERIOR BLOWERS



- RMIP33 AND RMIP45 INSERT SYSTEM - IN-LINE AND EXTERIOR BLOWERS



1. SELECT BLOWER OPTION AND INSTALL DUCTWORK

Either an interior or exterior blower or in-line blower may be used with this insert. The insert model RMIP33 or RMIP45 must be installed with blower models P5, P8, HLB3, HLB6, HLB9, HLB11, 331H, 332H, 335 or 336 only. Other blowers cannot be substituted. (Blowers sold separately).

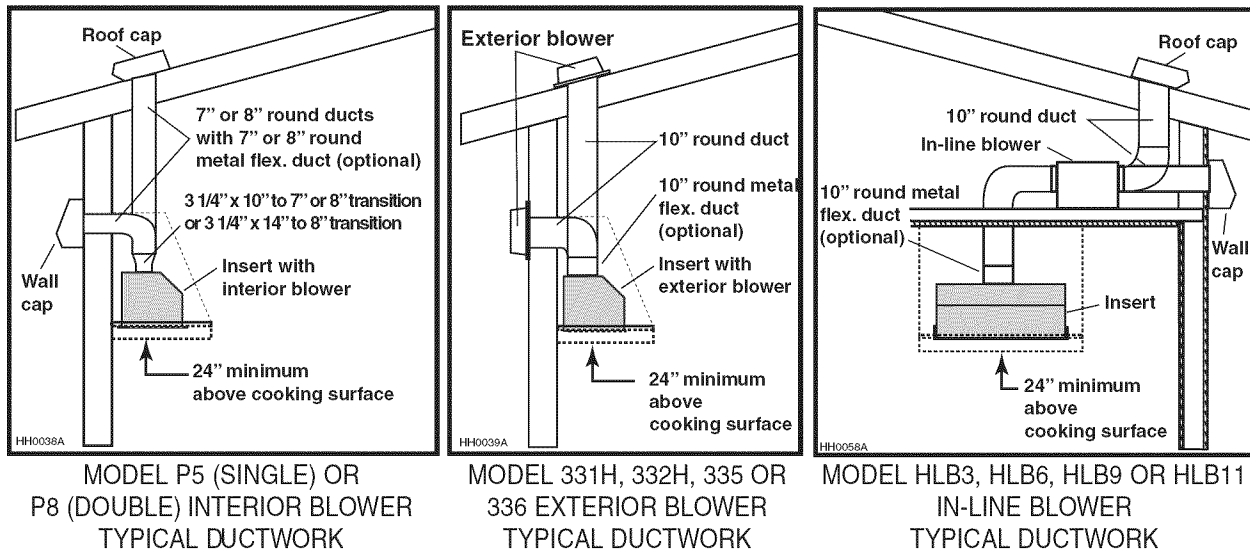
Plan where and how the ductwork will be installed. Access to the top of the hood is preferred for connection of ductwork. As an alternative, flexible metal ductwork may be used.

If installing in-line blower, refer to instructions packed with in-line blower and follow steps 1 up to 8, 13, 14, 16, 17, 19 and up of this manual.

Install proper-sized ductwork, elbows and roof or wall cap for the type of blower you are installing. Use round ductwork, with a short section (about 4' expanded) of flexible metal duct (optional) for attachment to the transition. Use screws to attach flexible metal duct to the rigid duct. Use 2" duct tape to seal duct joints.

The minimum hood distance above cooktop must not be less than 24". A maximum of 30" above cooktop is highly recommended for best capture of cooking impurities.

Distances over 30" are at the installer and users discretion.



2. PREPARE THE INSTALLATION

Make sure that the following items are included:

- Insert
- Accessories:
 - Filters (3 for RMIP33 model, 4 for RMIP45 model)
 - Bag of parts including:
 - (4) lock nuts, (1) wire clamp, (8) no. 8 x 3/4" standard screws, (2) wire connectors,
 - (2) no. 6 x 1/2" standard screws, (8) no. 8 x 3/8" screws. Discard items not used.

Parts sold separately:

- Interior blower Model P5 includes blower, rough-in kit, flow deviator and 3 1/4" x 10" adapter
- Interior blower Model P8 includes blower, rough-in kit, flow deviator and 3 1/4" x 10" adapter and 3 1/4" x 14" adapter
- In-line blower assembly HLB3, HLB6, HLB9 or HLB11 (all include transition)
- In-line blower rough-in plate model 332KR, required for all In-line or Exterior Blowers
- Exterior blower assembly 331H, 332H, 335 or 336
- Halogen lights 120 V, 50 W, PAR 20 (2 for RMIP33 model and 3 for RMIP45 model)
- Custom hood liner Model RML3336S, RML3342S, RML4548S, RML4554S or RML4560S (optional)
- Backsplash RMP Series (optional)
- RMIPWC Remote control (optional)
- Baffle filters RBFIP Series (optional)
- Transitions, ducts (rigid and flexible), elbows, dampers, wall and roof caps. Refer to page 3 and 4 for a complete list of venting options and model numbers.

NOTE : During installation, protect countertop and/or cooktop.

3. INSTALL BACKSPLASH (OPTIONAL)

It is recommended to install the backsplash before the custom hood insert. The custom hood will cover the backsplash top mounting screws. In order to be able to install the backsplash, make sure you have at least 18" clearance between bottom of custom hood and range control panel or cooktop. (See instructions packed with backsplash.)

4. CUSTOM HOOD PREPARATION

⚠ WARNING

When building a custom hood, always follow all applicable construction codes and standards.

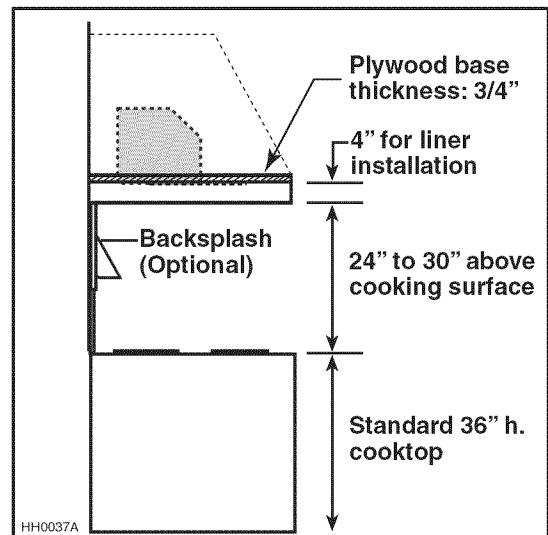
The custom hood frame must be sized to the shape and total weight of the insert assembly. Refer to the table below for total weight of the insert, according to the type of blower chosen.

INSERT MODEL	WITH P5 INT. BLOWER	WITH P8 INT. BLOWER	WITH IN-LINE OR EXT. BLOWERS (ROUGH-IN PLATE ONLY)
RMIP33	41 LB	49 LB	27 LB
RMIP45	49 LB	57 LB	35 LB

Start with the custom hood base, because its position will determine the height of the insert. We recommend the base of the custom hood should be 3/4 inch thick plywood. If an optional custom hood liner will be installed, we recommend the sides and front of the custom hood to be 3/4 inch thick, assuming standard cabinet widths. If the optional custom hood liner will not be installed, the custom hood side and front thickness is at the installer's discretion.

Run power cable to installation location. Stub out a 4 foot length of electrical cable below the custom hood.

If the RMIPWC optional remote control will be installed, run electrical cable from the insert to the remote control location. Stub out a 6 inch length from the remote control wall location. Refer to the remote control installation instruction.

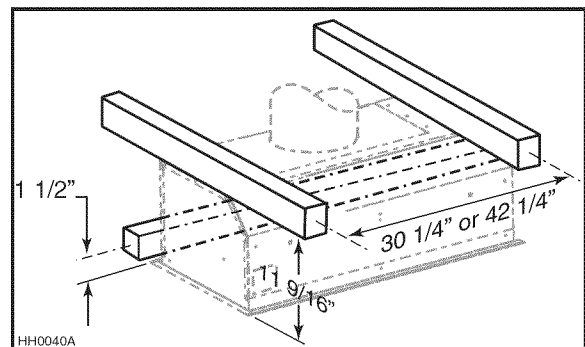


5. SUGGESTED CUSTOM HOOD INTERNAL FRAMEWORK

The mounting holes for the 2 top stud supports are located at 1 1/16" up from the insert base. The on center distance between the 2 studs is 30 1/4" for the RMIP33 insert model and 42 1/4" for the RMIP45 insert model.

The mounting holes for the rear stud support are located at 1 1/2" up from the insert base. See illustration beside.

Once the custom hood base and frame are done, finalize the custom hood.



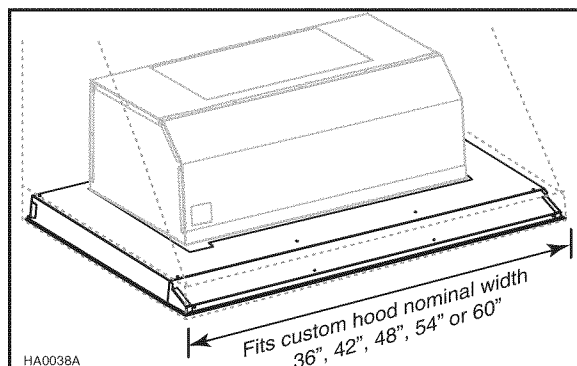
6. INSTALL CUSTOM HOOD LINER (OPTIONAL)

The liners are specially designed to protect the exterior base of the custom hood. To order, refer to the table below to find the right liner model number for your insert and width of custom hood. To view specific model information, including depths for each liner models, visit www.broan.com or contact Technical Support (phone number listed on front cover). To install, see instruction packed with custom hood liner.

The liner must be installed before the insert.

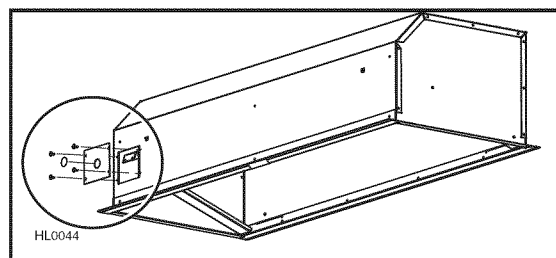
NOTE : On some liners models, front liner piece may overlap front insert flange. If so, remove the front liner piece, assemble insert, and reassemble front liner piece.

LINER MODEL	INSERT MODEL	CUSTOM HOOD NOMINAL WIDTH
RML3336S	RMIP33	36"
RML3342S	RMIP33	42"
RML4548S	RMIP45	48"
RML4554S	RMIP45	54"
RML4560S	RMIP45	60"



7. INSTALL THE RMIPWC REMOTE CONTROL (OPTIONAL)

The electrical connection for the remote control is located in front of the insert. Perform this connection before the insert installation. For installation details, see installation instructions included with the RMIPWC remote control.



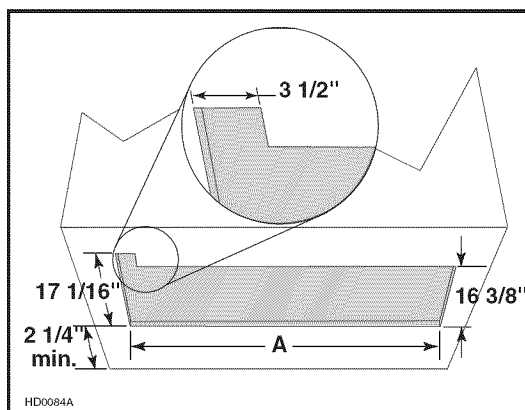
8. CUT THE HOLE IN CUSTOM HOOD BASE

If it is not done yet, cut a hole in the bottom of the cabinet, using the dimensions shown beside.

INSERT MODEL NUMBER	A
RMIP33	32½"
RMIP45	44½"

NOTES : 1. The notch shown in the inset must be cut only if the RMIPWC optional remote control will be installed.

2. The recommended distance from the back to the rearmost cutout edge is 2¼" minimum.



9. INSTALL BLOWER (INTERIOR OR EXTERIOR BLOWER)

INTERIOR BLOWER: Follow all subsequent steps of this manual.

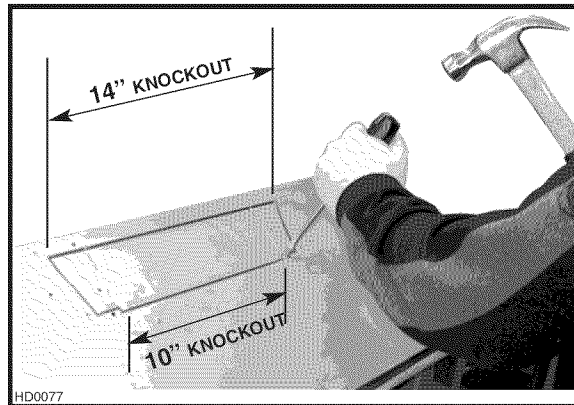
EXTERIOR BLOWER: Refer to instructions packed with exterior blower and follow steps 13, 14, 16, 17, 19 and up of this manual.

10. REMOVE THE KNOCK-OUT OPENING (INTERIOR BLOWER)

Remove the knockout on rough-in plate. See picture below.

CAUTION

When using P5 blower, remove the 10" wide knockout (smaller part). If using P8 blower, remove the knockout corresponding to the ducting installed (10" or 14" adapter/damper).

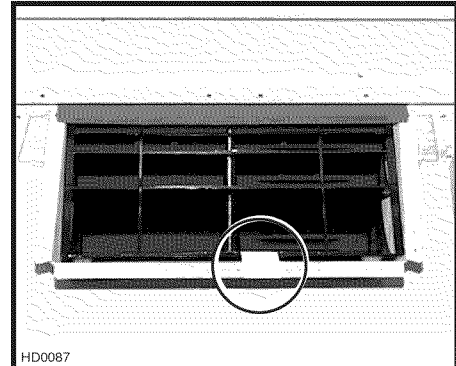


Removing vertical knockout opening on rough-in plate

11. INSTALL THE DEVIATOR (INTERIOR BLOWER)

Install the deviator as shown.

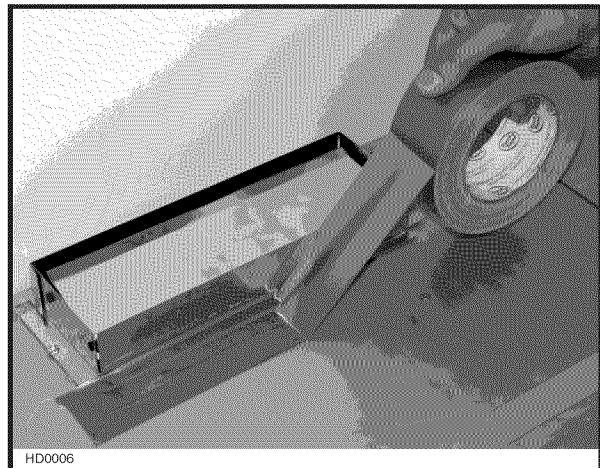
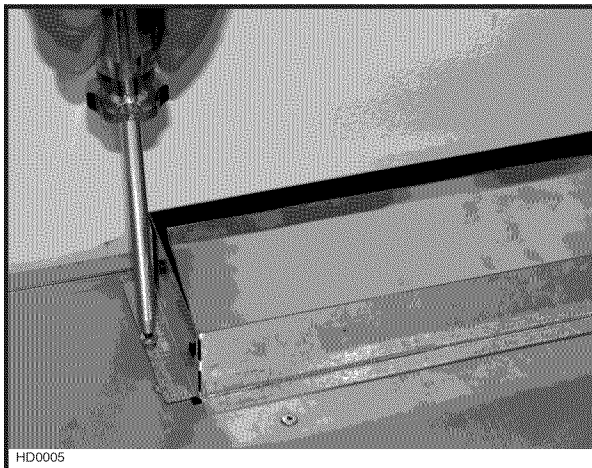
NOTE : To prevent the deviator from sliding out of the rough-in plate, put some tape on the deviator base after sliding it into the rough-in plate (provided with the P5 and P8 blower) opening. If installed correctly, the deviator will protrude about 1/8" above the rough-in plate.



12. INSTALL THE ADAPTER (INTERIOR BLOWER)

Using two (2) no. 6 x 1/2" screws provided with insert, secure the adapter to the top of the rough-in plate. Remove tape from damper flap. Seal the adapter to the rough-in plate by using duct tape.

NOTE : Make sure that the damper pivot is located towards the front of the hood.



13. CONNECT WIRING (ALL BLOWERS)

WARNING

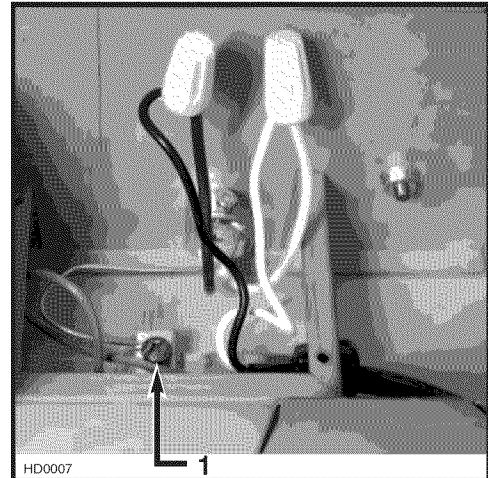
Risk of electrical shock. Electrical wiring must be done by qualified personnel in accordance with all applicable codes and standards. Before connecting wires, switch power off at service panel and lock service disconnecting means to prevent power from being switched on accidentally.

Position insert below the installed custom hood. Pull cable through hole in top of insert.

INTERIOR BLOWER: Remove the cable knock-out on the top of the rough-in plate. Remove rough-in plate wiring cover. Place the wire clamp in the knock-out hole, insert the cable through the wire clamp in the rough-in plate wiring box. Tighten the wire clamp to secure the cable.

Connect cable into wiring box using provided wire connectors.

Connect wires as follow: BLACK to BLACK, WHITE to WHITE and GREEN or BARE wire under ground screw. **DO NOT FORGET TO CONNECT THE GROUND.** Reinstall wiring cover.

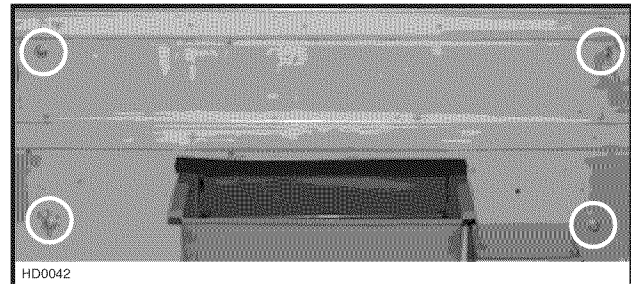


1) Ground screw

IN-LINE OR EXTERIOR BLOWER : Remove rough-in plate wiring cover and connect wiring (see instructions included with in-line or exterior blower).

14. INSTALL THE ROUGH-IN PLATE (ALL BLOWERS)

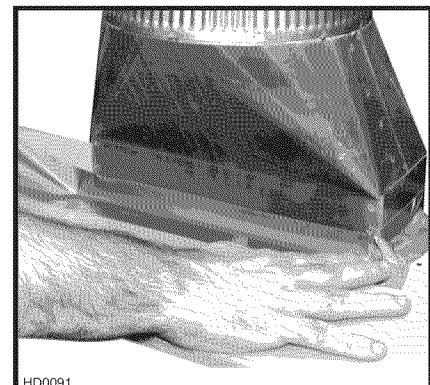
INTERIOR BLOWER : Carefully install the rough-in plate inside the top of the insert with four (4) lock nuts. See picture beside.



IN-LINE OR EXTERIOR BLOWER : Refer to instructions included with rough-in kit. Secure the rough-in plate inside the top of the insert with (4) lock nuts.

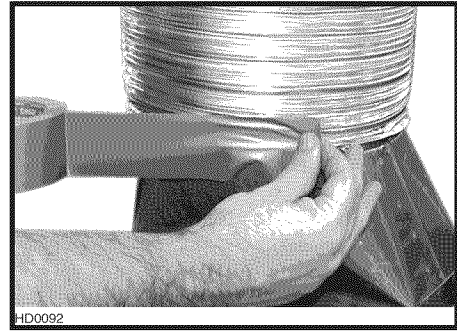
15. INSTALL THE TRANSITION (INTERIOR BLOWER)

Slide the transition over the adapter/damper. Seal the transition to the adapter/damper by using duct tape.



16. DUCTING CONNECTION (ALL BLOWERS)

- A. When there is access to the top of the hood, connect ductwork and seal connections with duct tape after Step 17 *Install the insert*.
- B. When there is no access to the top of the hood, carefully pull down the metal duct through the custom hood base hole. Slide this duct over the transition (interior blower) or over the flange of the rough-in plate (in-line or exterior blower). Make sure the adapter/damper assembly enters the ducting. Seal the connection with duct tape.



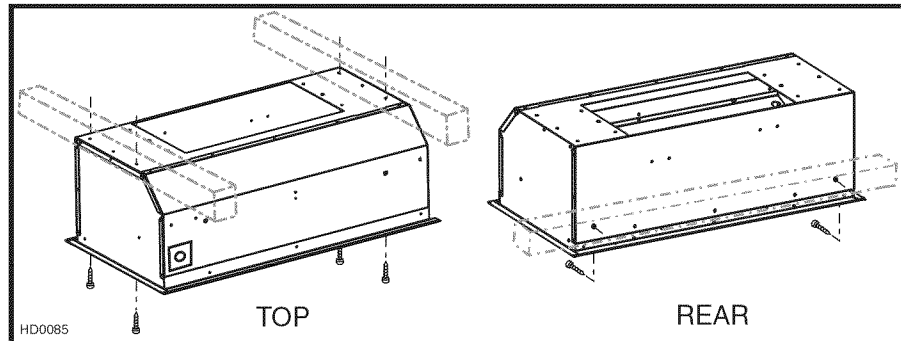
CAUTION

Take care not to kink ducting when installing insert (step 17).

17. INSTALL THE INSERT

If an optional wall control will be installed, refer to its installation instructions now. When done, continue the insert installation.

Install the insert inside the custom hood and secure to the frame by using the no. 8 x 3/4" mounting screws provided. Start with 4 screws on top and finish with 2 on rear side. (See figure beside for mounting screw specific locations.)

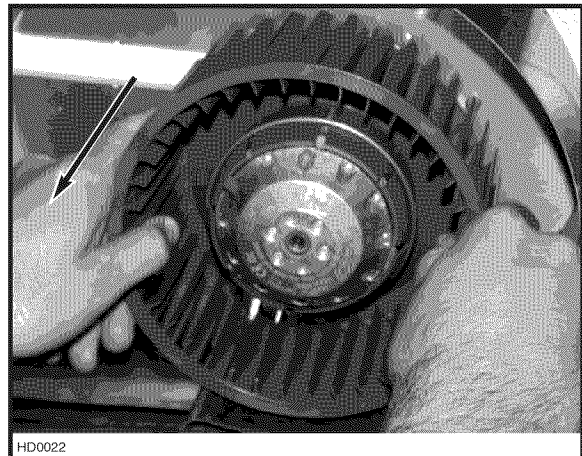
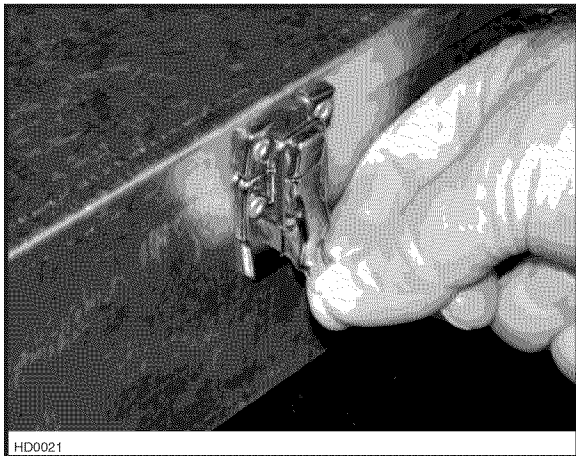


CAUTION

Take care not to kink ducting or pinch electrical cable when installing insert.

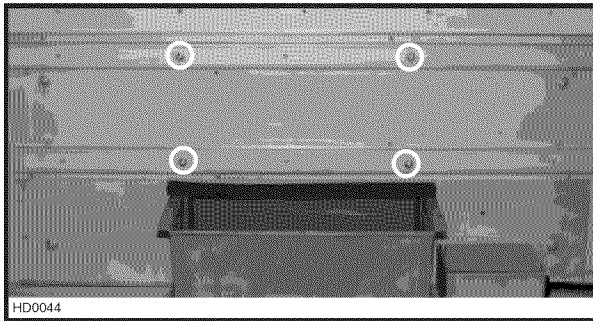
18. INSTALL THE BLOWER (INTERIOR BLOWER)

The blower must be installed to the rough-in plate using (6) no. 8 x 3/8" screws for the single blower unit and (8) no. 8 x 3/8" screws for the dual blower unit. Remove the cover from the blower assembly. Remove the impeller(s) by pulling them out gently (see pictures below).

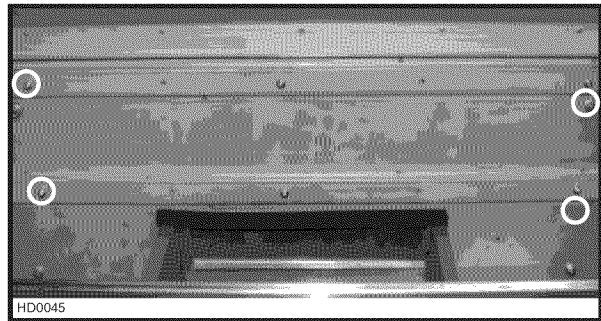


18. INSTALL THE BLOWER (INTERIOR BLOWER) (CONT'D)

Install (4) no. 8 x 3/8" screws into the location as shown in the pictures below (single blower or dual blower). Do not tighten screws down fully, leave a 1/8" gap. Hang blower unit onto blower plate (screws through the large part of the keyhole). Slide the blower to its position (screws in the small part of the keyhole). Tighten the (4) screws.

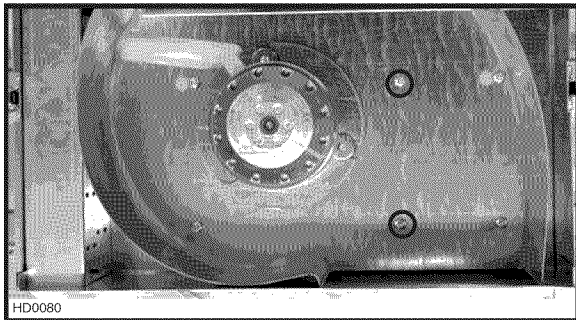


Single blower (P5)

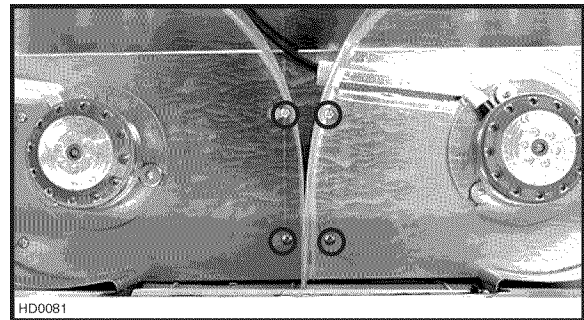


Dual blower (P8)

Secure the blower by installing 2 more no. 8 x 3/8" screws for the P5 blower and 4 more no. 8 x 3/8" screws for P8 into the locations shown in the pictures below (single blower or dual blower). Reinstall impeller(s) and cover.

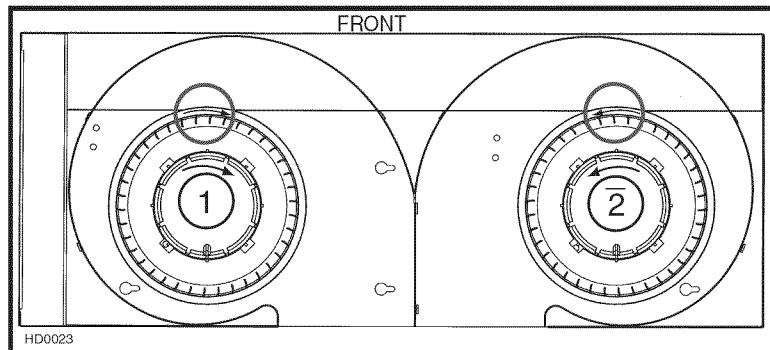


Single blower (P5)



Dual blower (P8)

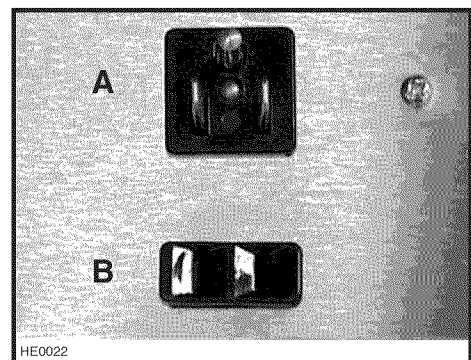
FOR DUAL BLOWER UNIT, MAKE SURE THE IMPELLERS ARE CORRECTLY INSTALLED, THE INSERT WILL NOT WORK PROPERLY IF REVERSED. Both impellers are different in the dual blower, one rotates clockwise and the other counterclockwise. Each wheel and motor have an arrow and a number on them, you have to match them correctly (see drawing beside).



WARNING

Never plug the 2-prong blower cord to the 3-prong power supply cord.

Plug the power supply to the 3-prong male connector (A) and the blower unit into the 2-prong female receptacle (B) inside the insert.



19. LIGHT BULBS

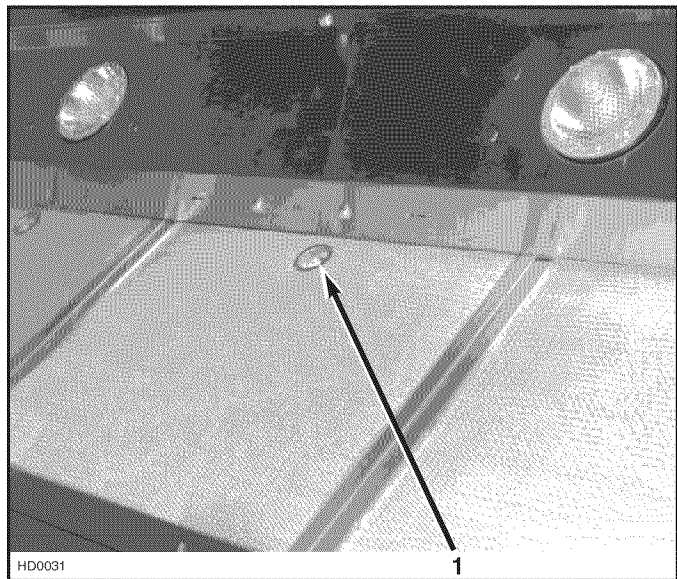
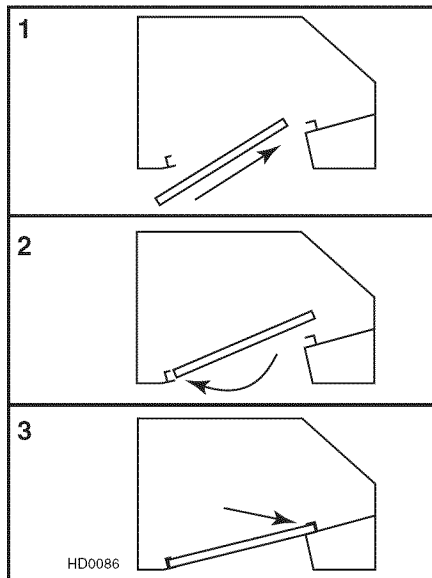
This insert uses 50 W halogen lamps (120 V, 50 W, PAR 20) (Purchase separately). Install the lamps by rotating them clockwise into their socket holder.

20. INSTALL FILTERS

It is recommended to install side filters first and finish with center one(s).

1. Insert upper end of filter into the insert (finger sized cup side).
2. Raise lower end of filter to position it into grease rail inside of hood and pull.
3. While pulling the filter, slide it under the inner retaining piece.

Replacement filters are available from your dealer. See inside label insert for size and part number.

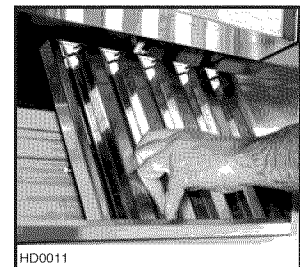


1) Finger sized cup

Baffle Filters

Baffle filters are available as an option. To order them, refer to the table below to find the right filter kit number for your insert. To install them, refer to instruction sheet included with baffle filter kit.

KIT NO.	INSERT MODEL
RBFIP33	RMIP33
RBFIP45	RMIP45



BAFFLE FILTER (TYPICAL)

21. USE AND CARE

Grease filters and impeller(s).

The grease filters, impeller(s) and grease rail should be cleaned frequently. Use a warm detergent solution. Grease filters and impeller(s) are dishwasher safe.

Remove grease filters by pushing them towards the back of hood and rotating downward.

Clean all-metal filters in the dishwasher using a non-phosphate detergent. Discoloration of the filter may occur if using phosphate detergent or as a result of local water conditions—but this will not affect filter performance. This discoloration is not covered by the warranty.

Stainless steel cleaning: How to maintain its «BRIGHT LOOK»

Do:

- Regularly wash with clean cloth or rag soaked with warm water and mild soap or liquid dish detergent.
- Always clean in the direction of original polish lines.
- Always rinse well with clear water (2 or 3 times) after cleaning. Wipe dry completely.
- You may also use a specialized household stainless steel cleaner.

Don't:

- Use any steel or stainless steel wool or any other scrapers to remove stubborn dirt.
- Use any harsh or abrasive cleansers.
- Allow dirt to accumulate.
- Let plaster dust or any other construction residues reach the hood. During construction/renovation, cover the hood to make sure no dust sticks to stainless steel surface.

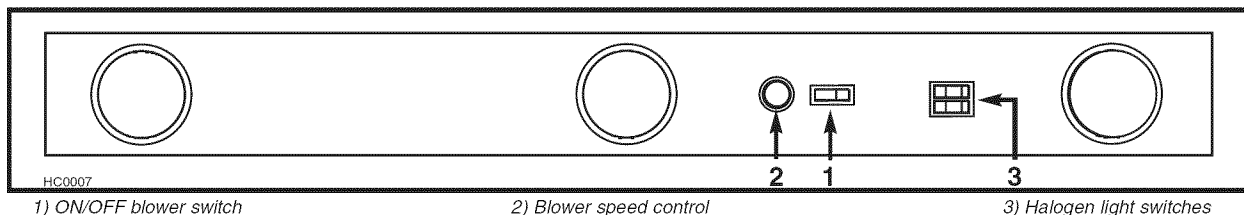
21. USE AND CARE (CONT'D)

Avoid: when choosing a detergent

- Any cleaners that contain **bleach** will attack stainless steel.
- Any products containing : **chloride, fluoride, iodide, bromide** will deteriorate surfaces rapidly.
- Any **combustible products** used for cleaning such as **acetone, alcohol, ether, benzol**, etc., are highly explosive and should never be used close to a range.

22. OPERATION

Always turn your blower on before you begin cooking to establish an air flow in the kitchen. Let the blower run for a few minutes to clear the air after you turn off the range. This will help keep the whole kitchen cleaner and brighter.



BLOWER

The blower is operated using two (2) controls or with the RMIPWC optional wall control.

Use the red, lighted on/off switch to start and stop the blower. When turned on, the blower will operate at the previous setting of the speed control.

Turn the speed control knob clockwise to decrease blower speed - counterclockwise to increase speed.

COOKTOP LIGHTING (HALOGEN)

A double set of ON/OFF switches controls the halogen lights.

The front rocker controls the center light (for 45" inserts). The rear rocker controls both side lights (each switch controls one light for 33" insert). Select one, two or three lights for best cooking lighting.

Use PAR 20, 50 W halogen bulbs (purchase separately).

HEAT SENTRY™

This unit is equipped with a Heat Sentry thermostat. This thermostat is a device that will turn on or speed up the blower if it senses excessive heat above the cooking surface.

- 1) If blower is OFF - it turns blower ON to HIGH speed.
- 2) If blower is ON at a lower speed setting – it turns the blower up to HIGH speed.

⚠ WARNING

The HEAT SENTRY can start the blower even if the insert is turned OFF. In this case, it is impossible to turn the blower OFF with blower switch. If you must stop the blower, do it from the main electrical panel.

When the temperature level drops to normal, the blower will return to its original setting.

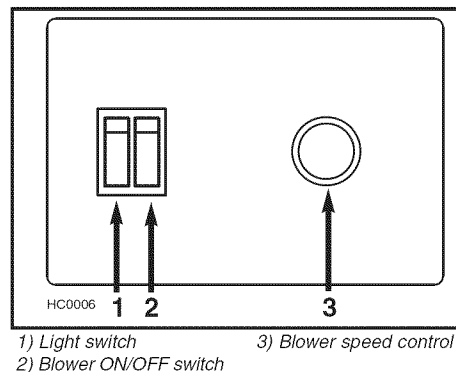
Test all insert switches. If a RMIPWC remote control is installed, test all its switches.

Finalize the custom hood.

RMIPWC REMOTE CONTROL (OPTIONAL)

An optional remote control is also available to operate your hood insert. For installation details, see installation instructions included with the RMIPWC remote control.

NOTE : When the RMIPWC remote control is connected to the insert, the control switches on the insert are no longer operational.



WARRANTY

ONE YEAR LIMITED WARRANTY FOR BROAN ELITE PRODUCTS

Broan-NuTone LLC (Broan-NuTone) warrants to the original consumer purchaser of Broan Elite products that such products will be free from defects in materials or workmanship for a period of one year from the date of original purchase. THERE ARE NO OTHER WARRANTIES, EXPRESS OR IMPLIED, INCLUDING, BUT NOT LIMITED TO, IMPLIED WARRANTIES OR MERCHANTABILITY OR FITNESS FOR A PARTICULAR PURPOSE.

During this one-year period, Broan-NuTone will, at its option, repair or replace, without charge, any product or part which is found to be defective under normal use and service.

THIS WARRANTY DOES NOT EXTEND TO FLUORESCENT LAMP STARTERS, TUBES, HALOGEN AND INCANDESCENT BULBS, FUSE, FILTERS, DUCTS, ROOF CAPS, WALL CAPS AND OTHER ACCESSORIES FOR DUCTING. This warranty does not cover (a) normal maintenance and service or (b) any products or parts which have been subject to misuse, negligence, accident, improper maintenance or repair (other than by Broan-NuTone), faulty installation or installation contrary to recommended installation instructions.

The duration of any implied warranty is limited to the one-year period as specified for the express warranty. Some states or provinces do not allow limitation on how long an implied warranty lasts, so the above limitation may not apply to you.

BROAN-NUTONE'S OBLIGATION TO REPAIR OR REPLACE, AT BROAN-NUTONE'S OPTION, SHALL BE THE PURCHASER'S SOLE AND EXCLUSIVE REMEDY UNDER THIS WARRANTY. BROAN-NUTONE SHALL NOT BE LIABLE FOR INCIDENTAL, CONSEQUENTIAL OR SPECIAL DAMAGES ARISING OUT OF OR IN CONNECTION WITH PRODUCT USE OR PERFORMANCE. Some states or provinces do not allow the exclusion or limitation of incidental or consequential damages, so the above limitation or exclusion may not apply to you.

This warranty gives you specific legal rights, and you may also have other rights, which vary from state to state or province to another. This warranty supersedes all prior warranties.

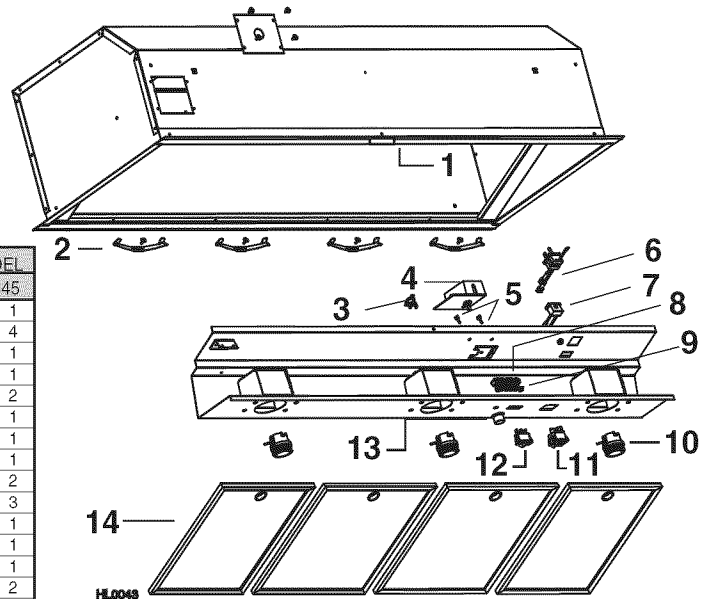
To qualify for warranty service, you must (a) notify Broan-NuTone at one of the addresses or telephone number stated below, (b) give the model number and part identification and (c) describe the nature of any defect in the product or part. At the time of requesting warranty service, you must present evidence of the original purchase date.

In USA - Broan-NuTone LLC; 926 W. State Street, Hartford, Wisconsin 53027 www.broan.com 800-558-1711
In Canada - Broan-NuTone Canada; 1140 Tristar Drive, Mississauga, ON L5T 1H9 www.broan.ca 877-896-1119

SERVICE PARTS

RMIP33 AND RMIP45 MODELS

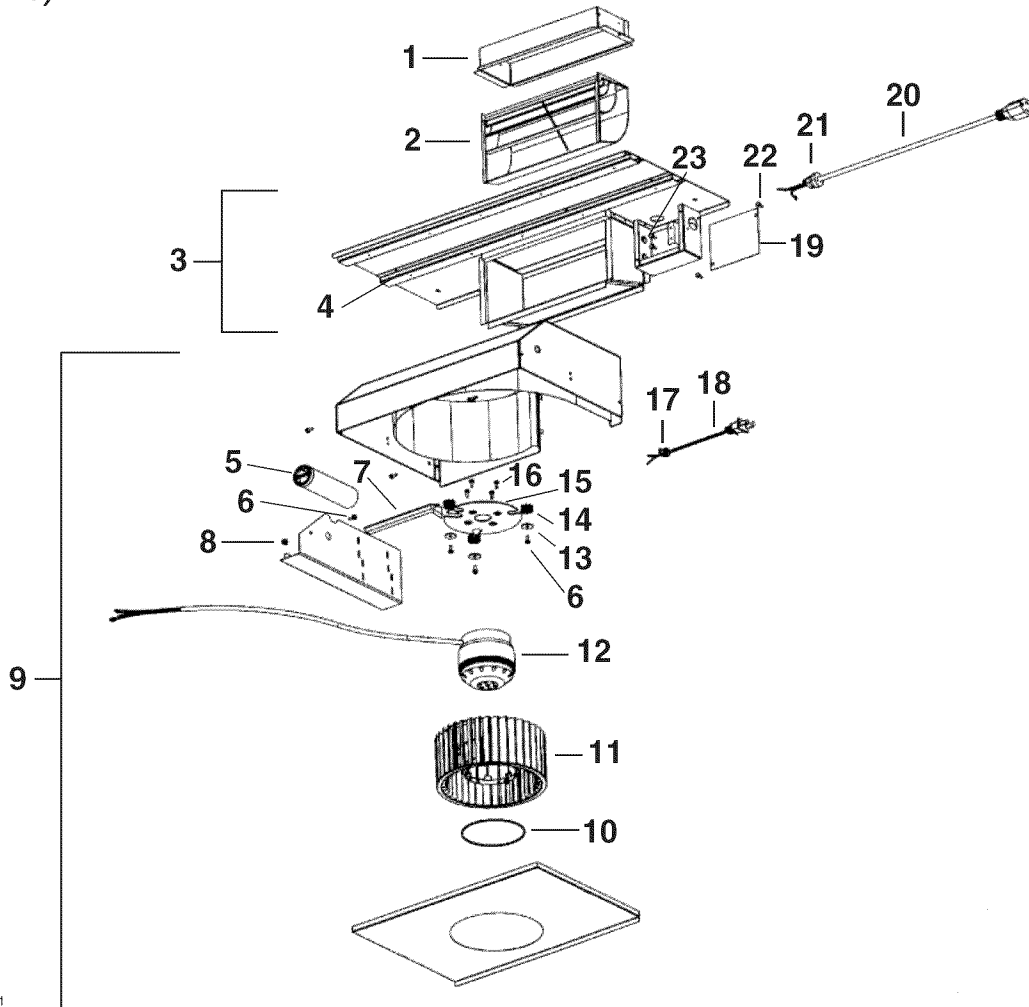
KEY NO.	PART NUMBER	DESCRIPTION	MODEL	
			33	45
1	SV03493	RANGEMASTER LOGO	1	1
2	SV03686	FILTER CLIP	3	4
3	SV03435	THERMOSTAT	1	1
4	SV03501	SPEED CONTROL	1	1
5	SV02512	SCREW NO. 8-32 x 1/2", QUADREX	2	2
6	SV02773	MALE CONNECTOR	1	1
7	SV02772	FEMALE CONNECTOR	1	1
8	SV03505	TERMINAL STRIP	1	1
9	SV00673	LOCK NUT NO 8-32	2	2
10	SV02264	SOCKET LAMP	2	3
11	SV03502	SPST DOUBLE SWITCH (HAL. LIGHT)	1	1
12	SV03503	SPST LIGHTED SINGLE SWITCH (BLOWER)	1	1
13	SV03504	SPEED CONTROL BUTTON	1	1
14	SV05865	MICROMESH FILTERS 9.25" x 12.5"	3	2
	SV05866	MICROMESH FILTERS 11.13" x 12.5"	-	2
	SV02544	HALOGEN LAMP PAR 20 50 W	3	4
	SV05861	INSTALLATION MANUAL	1	1
	SV03888	PARTS BAG ([4] lock nut no. 10-32, [1] wire clamp LP16-AP, [2] wire connectors no. 74B, [8] no. 8 x 3/4" screws, [8] no. 8 x 3/8" screws, [2] no. 6 x 1/2" screws)	1	1



SERVICE PARTS

SINGLE BLOWER/ROUGH-IN

(Model P5)



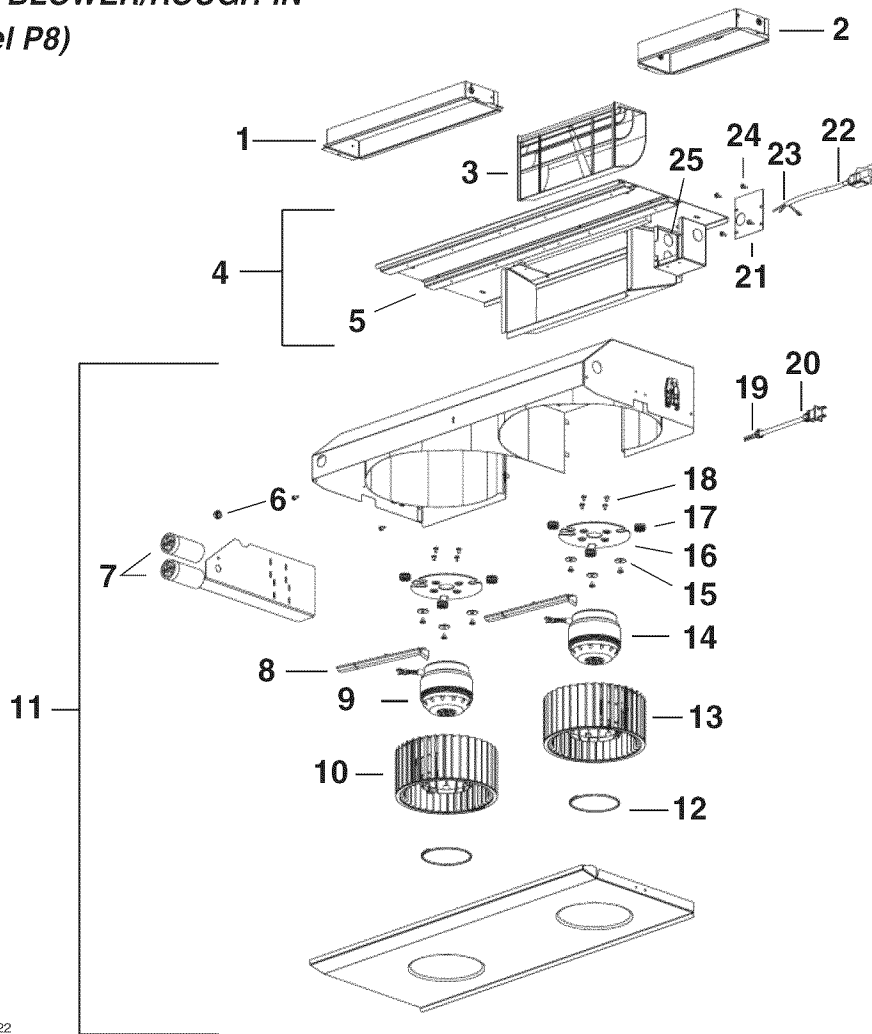
HL0021

KEY NO.	PART NUMBER	DESCRIPTION	QTY.
1	SV13296	ADAPTER AND DAMPER 3 1/4" x 10"	1
2	SV03500	AIR DEFLECTOR	1
3	SV12997	SINGLE BLOWER ROUGH-IN PLATE ASSEMBLY	1
4	SV03577	FOAM 1/2" x 1/2" x 12"	1
5	SV02160	CAPACITOR 15 μ F	1
6	SV01869	MACHINE SCREW NO. 6-32 x 1/4"	4
7	SV01857	WIRE COVER	1
8	SV01582	LOCK NUT NO. 6-32	1
9	SV14973	SINGLE BLOWER ASSEMBLY	1
10	SV01810	IMPELLER RING	1
11	SV03400	BLOWER IMPELLER 7.094" x 3.375" CW	1
12	SV01766	MOTOR 165W CW	1
13	SV00871	WASHER 3/16" ID x 3/4 OD	3
14	SV02001	MOTOR GROMMET G-431-1	3
	SV01831	8" TIE WRAP	2
15	SV11705	MOTOR MOUNT	1
	SV11614	WIRE NO. 18 TEW BROWN x 10"	1
16	SV01927	METRIC SCREW M4 x 6 MM PAN QDRX	4
17	SV03495	STRAIN RELIEF FOR BLOWER POWER CORD	1
18	SV03494	36" BLOWER POWER CORD	1
19	SV13230	OUTLET BOX COVER	1
20	SV03496	POWER CORD, 120 VOLTS	1
21	SV00660	STRAIN RELIEF FOR POWER CORD	1
22	SV05520	SCREW NO. 8 x 3/8" T/B, NO. 8 HEAD	2
23	SV00613	SCREW NO. 10-32 x 3/8, TF, GREEN	2

SERVICE PARTS

DUAL BLOWER/ROUGH-IN

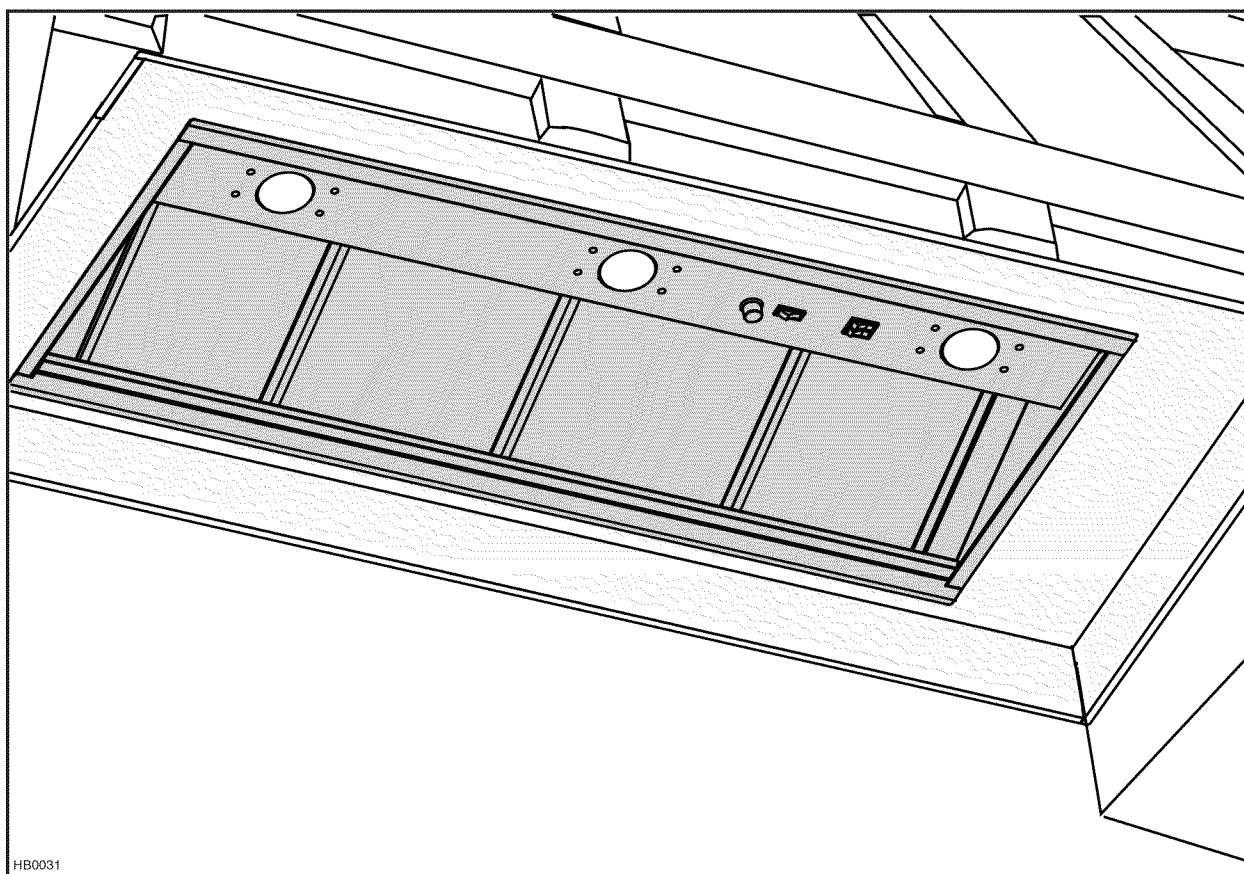
(Model P8)



HL0022

KEY NO.	PART NUMBER	DESCRIPTION	QTY.
1	SV14971	ADAPTER AND DAMPER 3 1/4" x 14"	1
2	SV13296	ADAPTER AND DAMPER 3 1/4" x 10"	1
3	SV03500	AIR DEFLECTOR	1
4	SV14975	DUAL BLOWER ROUGH-IN PLATE ASSEMBLY	1
5	SV03577	FOAM 1/2" x 1/2" x 12"	1
6	SV01582	LOCK NUT NO. 6-32	1
7	SV02160	CAPACITOR 15 μ F	2
8	SV01857	WIRE COVER	2
9	SV01766	MOTOR 165W CW	1
10	SV03400	BLOWER IMPELLER, HOOD 7.094" x 3.375" CW	1
11	SV14974	DUAL BLOWER ASSEMBLY	1
12	SV01810	IMPELLER RING	2
13	SV03399	BLOWER IMPELLER, HOOD 7.094" x 3.375" CCW	1
14	SV03457	MOTOR 165W CCW	1
15	SV00871	WASHER 3/16" ID x 3/4 OD	6
	SV01831	8" TIE WRAP	4
16	SV11705	MOTOR MOUNT	2
	SV11614	WIRE NO. 18 TEW BROWN x 10"	2
17	SV02001	MOTOR GROMMET G-431-1	6
18	SV01927	METRIC SCREW M4 x 6 MM PAN QDRX	8
19	SV03495	STRAIN RELIEF FOR BLOWER POWER CORD	1
20	SV03494	36" BLOWER POWER CORD	1
21	SV14960	OUTLET BOX COVER	1
22	SV00660	STRAIN RELIEF FOR POWER CORD	1
23	SV03496	POWER CORD, 120 VOLTS	1
24	SV05520	SCREW NO. 8 x 3/8", T/B, NO. 8 HEAD	4
25	SV00613	SCREW NO. 10-32 x 3/8", TF, GREEN	2

BROAN® *Elite*



MODÈLES RMIP33 ET RMIP45

⚠ CONÇUS POUR LA CUISSON DOMESTIQUE SEULEMENT ⚠

LIRE ET CONSERVER CES DIRECTIVES

INSTALLATEUR : LAISSER CE GUIDE AU PROPRIÉTAIRE.
PROPRIÉTAIRE : DIRECTIVES D'UTILISATION ET D'ENTRETIEN EN PAGES 28 ET 29.

Broan-NuTone LLC; Hartford, Wisconsin www.broan.com 800 558-1711
Broan-NuTone Canada; Mississauga, Ontario www.broan.ca 877 896-1119

ENREGISTREZ VOTRE PRODUIT EN LIGNE À : www.broan.com/register

AVERTISSEMENT

AFIN DE RÉDUIRE LES RISQUES D'INCENDIE, D'ÉLECTROCUTION OU DE BLESSURES CORPORELLES, SUIVEZ LES DIRECTIVES SUIVANTES :

1. N'utilisez cet appareil que de la façon prévue par le fabricant. Si vous avez des questions, contactez le fabricant à l'adresse et au numéro de téléphone indiqués sur la garantie.
2. Avant de réparer ou de nettoyer l'appareil, couper l'alimentation électrique en verrouillant le panneau de service afin d'éviter sa remise en marche accidentelle. Si le panneau de service ne peut être verrouillé, y fixer un avertissement en évidence.
3. Les travaux d'installation et de raccordement électrique doivent être effectués par une personne qualifiée, conformément aux codes et standards de construction, incluant ceux concernant les incendies.
4. Une quantité d'air adéquate est requise afin d'assurer une bonne combustion et l'évacuation des gaz par la cheminée dans le cas des équipements alimentés au gaz, afin de prévenir les retours de cheminée. Conformez-vous aux instructions et aux standards de sécurité des fabricants d'équipement de chauffage, tel que publiés par la *National Fire Protection Association (NFPA)*, et l'*American Society for Heating, Refrigeration and Air Conditioning Engineers (ASHRAE)*, ainsi que les responsables des codes locaux.
5. Lorsque vous coupez ou percez un mur ou un plafond, prenez garde de ne pas endommager les fils électriques ou autre installation qui pourraient y être dissimulés.
6. L'évacuation des ventilateurs avec conduits doit toujours se faire à l'extérieur.
7. Ne pas utiliser cet appareil avec une commande de vitesse à semi-conducteur autre que la commande murale optionnelle RMIPWC.
8. Afin de réduire les risques d'incendie, n'utilisez que des conduits de métal.
9. Cet appareil doit être mis à la terre.
10. Lorsqu'une réglementation est en vigueur localement et qu'elle comporte des exigences d'installation et/ou de certification plus restrictives, lesdites exigences prévalent sur celles de ce document et l'installateur entend s'y conformer à ses frais.

AFIN DE RÉDUIRE LES RISQUES DE FEU DE CUISINIÈRE :

- a) Ne jamais laisser les appareils de cuisson sans surveillance lorsqu'ils sont réglés à feu vif. Les débordements engendrent de la fumée et des déversements graisseux pouvant s'enflammer. Chauffez l'huile lentement, à feu doux ou moyen.
- b) Toujours mettre la hotte en marche lorsque vous cuisinez à feu vif ou que vous cuisinez des mets flambés.
- c) Nettoyez régulièrement la (les) roue(s) du ventilateur. Ne laissez pas la graisse s'accumuler sur le ventilateur ou les filtres.
- d) Utilisez le bon format de casserole. Servez-vous toujours de casseroles et d'ustensiles appropriés à la dimension de la surface chauffante.

AVERTISSEMENT

AFIN D'ÉVITER TOUT RISQUE DE BLESSURES LORS D'UN FEU DE CUISINIÈRE, SUIVEZ CES DIRECTIVES* :

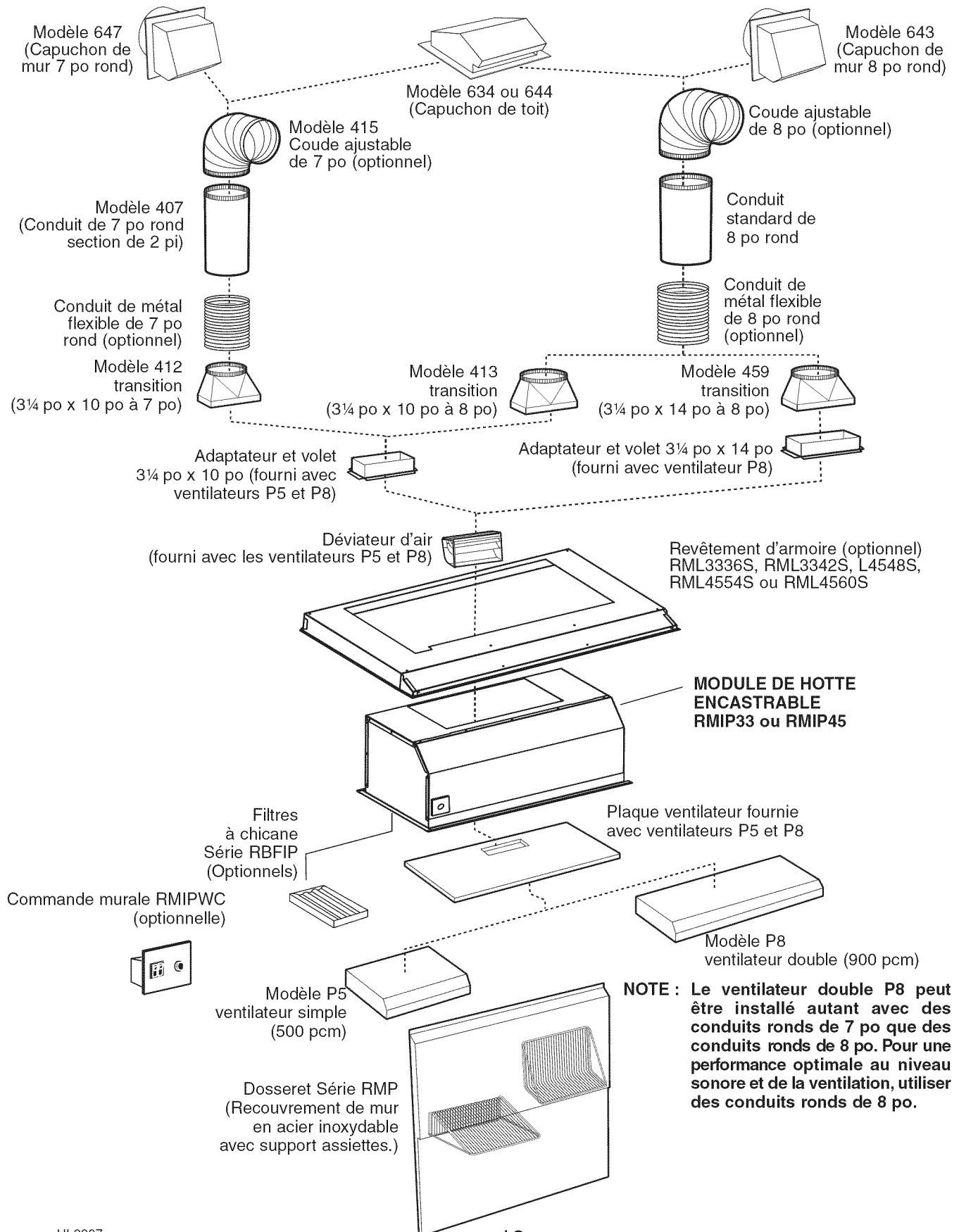
1. Éteignez les flammes avec un couvercle hermétique, une tôle à biscuits ou un plateau métallique et ensuite, éteindre le brûleur. **PRENEZ SOIN D'ÉVITER LES BRÛLURES. SI LES FLAMMES NE S'ÉTEIGNENT PAS IMMÉDIATEMENT, ÉVACUEZ LES LIEUX ET APPELEZ LES POMPIERS.**
2. **NE PRENEZ JAMAIS UNE CASSEROLE EN FLAMMES DANS VOS MAINS – Vous pourriez subir des brûlures.**
3. **N'UTILISEZ PAS D'EAU**, incluant linge à vaisselle ou serviette mouillés – ceci pourrait occasionner une violente explosion.
4. N'utilisez un extincteur **QUE DANS LE CAS OÙ :**
 - A. Vous savez qu'il s'agit d'un extincteur de classe ABC et que vous en connaissez le fonctionnement.
 - B. L'incendie est petit et limité à l'endroit où il a débuté.
 - C. Les pompiers ont été avisés.
 - D. Vous pouvez combattre l'incendie en ayant accès à une sortie de secours.

*Tirées du *Kitchen Fire Safety Tips* publié par la NFPA.

ATTENTION

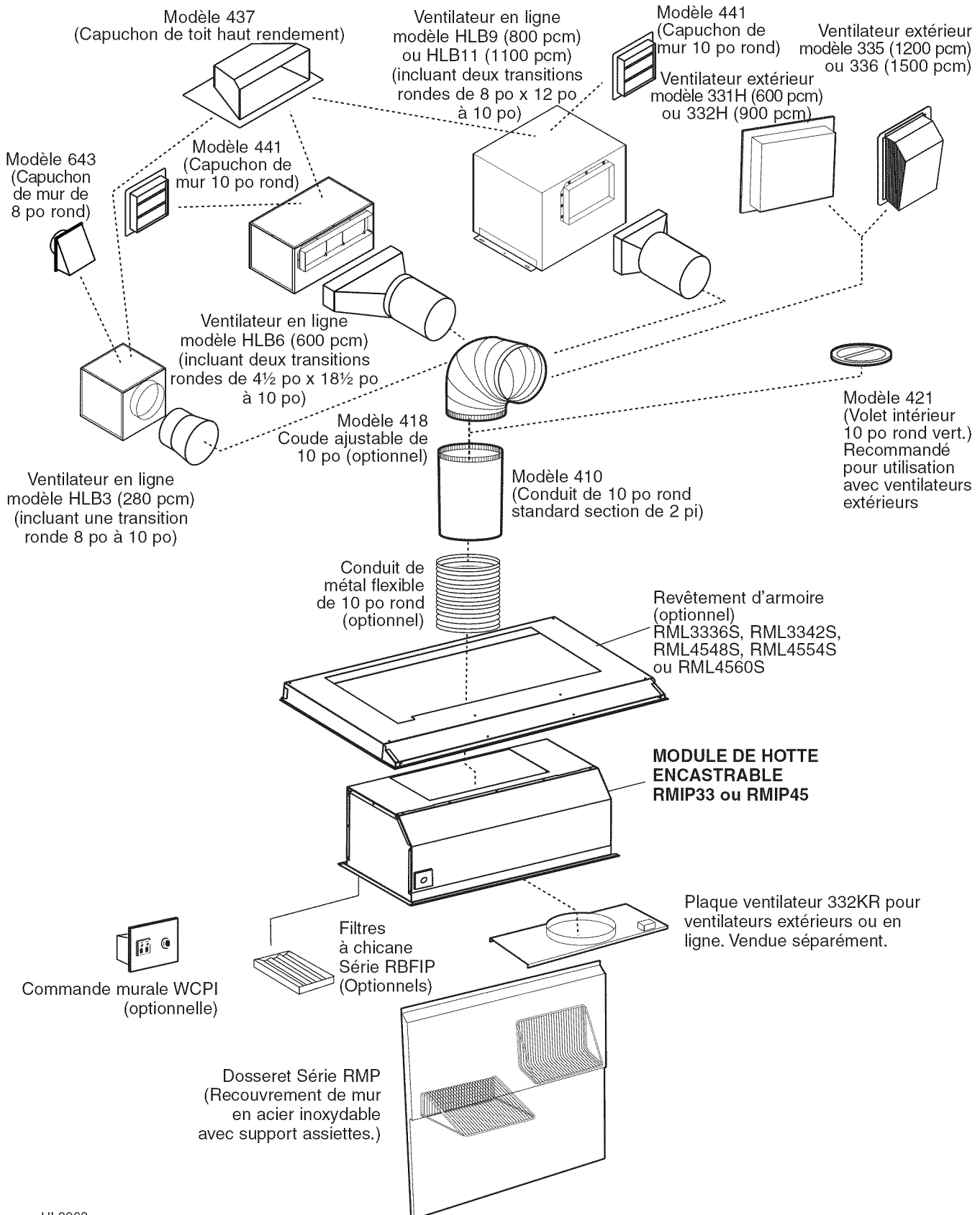
1. Pour une utilisation à l'intérieur seulement.
2. Pour usage domestique seulement. Ne pas utiliser pour évacuer des vapeurs ou des produits dangereux ou explosifs.
3. Afin d'éviter tout dommage au moteur et de débalancer ou de rendre bruyante la roue du moteur, garder votre appareil à l'abri des poussières de placoplâtre et de construction/rénovation, etc.
4. Le moteur de votre module de hotte encastrable possède une protection thermique qui éteindra automatiquement le moteur s'il devient surchauffé. Si le moteur repartira automatiquement une fois refroidi. Si le moteur continue à arrêter et à repartir, faites-le vérifier.
5. La distance minimale entre le bas de votre hotte et la surface de cuisson ne doit pas être plus petite que 24 po. Un maximum de 30 po au dessus de la surface de cuisson est fortement recommandé pour une meilleure évacuation des odeurs de cuisine.
6. Deux installateurs sont recommandés lors de l'installation vu la grande dimension et le poids de cet appareil.
7. Afin de réduire les risques d'incendie, assurez-vous d'évacuer l'air à l'extérieur – Ne pas évacuer l'air dans des espaces restreints comme l'intérieur des murs ou plafond ou dans le grenier, faux plafond ou garage.
8. Cet appareil est équipé d'un thermostat pouvant faire démarrer le ventilateur automatiquement. Afin de réduire le risque de blessure, couper le courant à partir du panneau électrique et verrouiller ou apposer un avertissement sur le panneau afin de prévenir que la hotte soit mise en marche automatiquement.
9. À cause de la grande capacité d'évacuation de cet appareil, il est recommandé d'ouvrir une fenêtre dans ou près de la cuisine afin de remplacer l'air évacué.
10. Afin de réduire les risques d'incendie et d'électrocution, les modèles RNMIP3 et RMIP45 doivent être installés uniquement avec un des ventilateurs intérieurs Broan suivants : P5 ou P8; un des ventilateurs extérieurs Broan suivants : 331H, 332H, 335 ou 336; un des ventilateurs en ligne Broan suivants : HLB3, HLB6, HLB9 ou HLB11 (vendus séparément). Aucun autre ventilateur ne doit être utilisé.
11. Ce module de hotte encastrable ne doit être utilisé seulement qu'avec un ensemble de cordon d'alimentation approuvé.
12. Veuillez consulter l'autocollant apposé à l'intérieur du produit pour plus d'information ou autres exigences.

MODÈLES RMIP33 ET RMIP45 - SYSTÈME DE MODULE DE HOTTE ENCASTRABLE - VENTILATEURS INTÉRIEURS



MODÈLES RMIP33 ET RMIP45

- SYSTÈME DE MODULE DE HOTTE ENCASTRABLE - VENTILATEURS EN LIGNE ET EXTÉRIEURS



1. SÉLECTIONNER L'OPTION VENTILATEUR ET INSTALLER LES CONDUITS

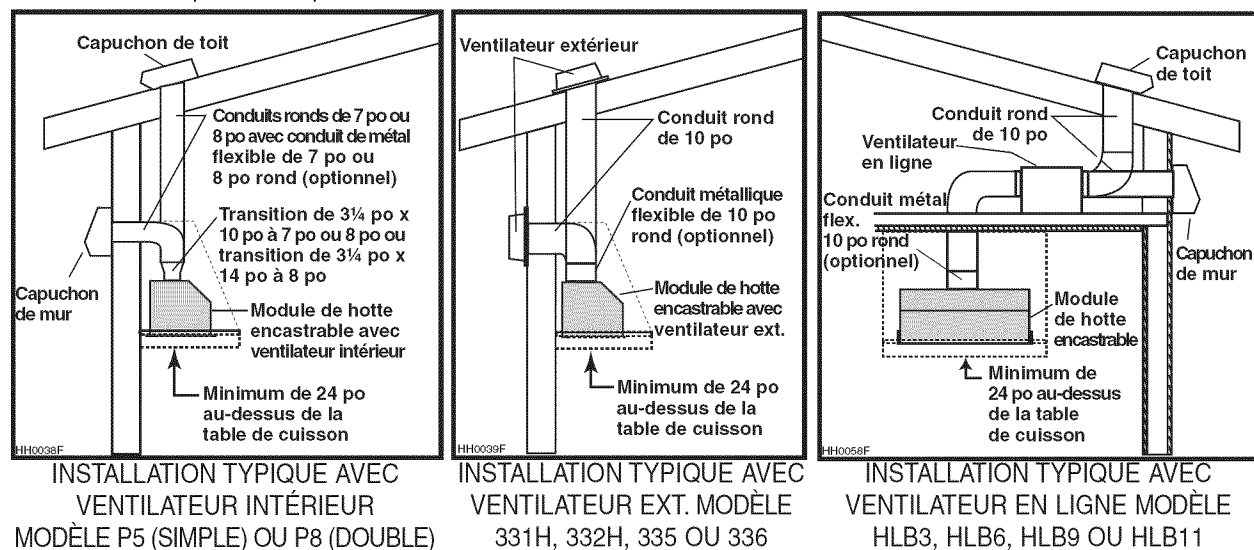
Ce module de hotte encastrable fonctionne autant avec un ventilateur intérieur, en ligne ou extérieur. Le modèle de module de hotte encastrable RMIP33 ou RMIP45 doit être installé uniquement avec l'un des ventilateurs suivants : P5, P8, HLB3, HLB6, HLB9, HLB11, 331H, 332H, 335 ou 336 (vendus séparément). Aucun autre ventilateur ne peut être utilisé. Déterminer à quel endroit et de quelle façon les conduits seront installés. Il est préférable de garder un accès au dessus de la hotte pour le raccordement des conduits. Sinon, des conduits de métal flexibles peuvent être utilisés.

Si un ventilateur en ligne est installé, se reporter aux directives incluses avec celui-ci et suivre les étapes 1 à 8, 13, 14, 16, 17, 19 et suivantes de ce guide.

Utiliser des vis pour fixer le conduit de métal flexible au conduit rigide. Installer des conduits de bonnes dimensions, coude(s) et capuchon de mur ou de toit selon le type de ventilateur. Utiliser des conduits circulaires avec une petite section de conduit de métal flexible (environ 4 pi étiré) (optionnel) pour le raccordement à la transition. Utiliser du ruban adhésif en toile pour assurer l'étanchéité des joints.

La distance minimale entre le bas de votre hotte et la surface de cuisson ne doit pas être plus petite que 24 po. Un maximum de 30 po au-dessus de la surface de cuisson est fortement recommandé pour une meilleure évacuation des odeurs de cuisine.

Une distance de plus de 30 po demeure à la discrétion de l'installateur et de l'utilisateur.



2. PRÉPARER L'INSTALLATION

S'assurer que les items suivants sont inclus :

- Module de hotte encastrable
- Accessoires :
 - Filtres (3 pour le modèle RMIP33, 4 pour le modèle RMIP45)
 - Sac de pièces incluant:
 - (4) écrous dentelés, (1) serre-fils, (8) vis n° 8 x 3/4 po standards, (2) capuchons de connexion,
 - (2) vis n° 6 x 1/2 po standards, (8) vis n° 8 x 3/8 po. Jeter la quincaillerie non utilisée.

Pièces vendues séparément :

- Ventilateur interne modèle P5 incluant ventilateur, plaque ventilateur, déviateur et adaptateur 3/4 po x 10 po
- Ventilateur interne modèle P8 incluant ventilateur, plaque ventilateur, déviateur et adaptateur 3/4 po x 10 po et adaptateur 3/4 po x 14 po
- Ensemble ventilateur en ligne modèles HLB3, HLB6, HLB9 ou HLB11 (tous incluant la transition)
- Plaque ventilateur requise pour tous les ventilateurs en ligne ou extérieurs modèle 332KR
- Ensemble ventilateur extérieur modèles 331H, 332H, 335 ou 336
- Ampoules halogènes 120V, 50W, PAR 20 (2 pour le modèle RMIP33, 3 pour le modèle RMIP45)
- Revêtement d'armoire modèle RML3336S, RML3342S, RML4548S, RML4554S ou RML4560S (optionnel)
- Filtres à chicane (3 pour le modèle RMIP33, 4 pour le modèle RMIP45)
- Dossieret série RBFIP (optionnel)
- Commande murale RMIPWC (optionnelle)
- Transitions, conduits (rigides et flexibles), coudes, volets, capuchons de mur ou de toit. Consulter les pages 19 et 20 pour la liste complète des accessoires de ventilation et les numéros de modèle.

NOTE : Lors de l'installation, protéger la table de cuisson et/ou le comptoir de cuisine.

3. INSTALLER LE DOSSERET (OPTIONNEL)

Il est recommandé d'installer le dossier avant le module de hotte encastrable. L'armoire couvrira les vis d'installation du dessus du dossier. Afin de pouvoir installer le dossier, s'assurer d'avoir au moins 18 po entre le dessous de l'armoire et le panneau de contrôle de la cuisinière ou de la surface de cuisson. (Voir instructions fournies avec le dossier.)

4. PRÉPARATION DE L'ARMOIRE DE HOTTE

⚠ AVERTISSEMENT

Toujours suivre les codes et standards en vigueur lors de la construction de l'armoire de hotte.

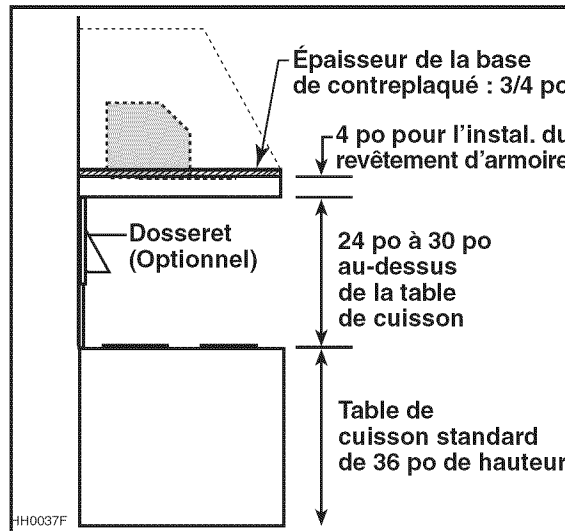
Construire la charpente de l'armoire en fonction du format et du poids total du module de hotte encastrable. Le tableau ci-dessous indique les poids des modules selon le type de ventilateur choisi.

MODULE	AVEC VENT. INT. P5	AVEC VENT. INT. P8	AVEC VENT. EN LIGNE OU EXT. (PLAQUE VENTILATEUR SEULEMENT)
RMIP33	41 LB	49 LB	27 LB
RMIP45	49 LB	57 LB	35 LB

Commencer avec la base de l'armoire, car sa position déterminera la hauteur du module de hotte encastrable. Nous recommandons qu'elle soit faite de contreplaqué de 3/4 po d'épaisseur. Si un revêtement d'armoire optionnel sera installé, nous recommandons que les côtés et l'avant de l'armoire aient aussi 3/4 po d'épaisseur, selon que l'armoire soit de largeur standard. Si le revêtement d'armoire optionnel n'est pas installé, l'épaisseur des côtés et de l'avant de l'armoire est à la discrétion de l'installateur.

Passer l'alimentation électrique jusqu'à l'endroit de l'installation. Laisser dépasser une longueur de 4 pi de câble électrique sous l'armoire.

Si la commande murale optionnelle RMIPWC sera installée, passer le fil électrique à partir du module jusqu'à la localisation de la commande murale. Laisser dépasser une longueur de 6 po hors du mur. Voir la feuille d'installation de la commande murale optionnelle.

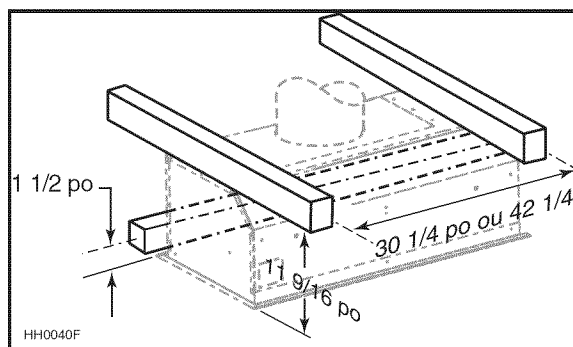


5. CHARPENTE DE L'ARMOIRE SUGGÉRÉE

Les trous d'assemblage du dessus du module sont à $1\frac{1}{16}$ po de la base de celui-ci. La distance centre-centre entre les 2 supports est de $30\frac{1}{4}$ po pour le module de modèle PIK33 et de $42\frac{1}{4}$ po pour le module de modèle PIK45.

Les trous d'assemblage du support arrière sont à $1\frac{1}{2}$ po à partir de la base du module. Voir l'illustration ci-contre.

Une fois la base et la charpente de l'armoire terminées, finaliser l'armoire.



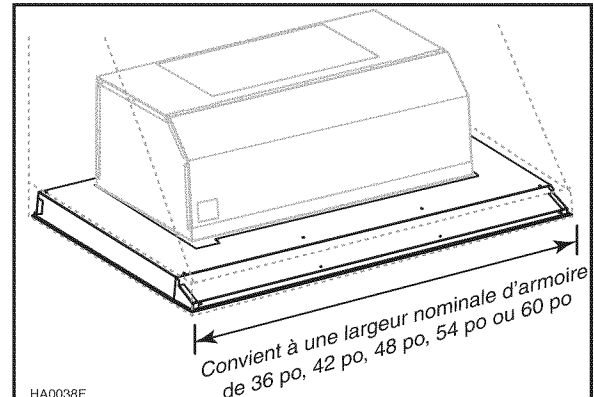
6. INSTALLER LE REVÊTEMENT D'ARMOIRE (OPTIONNEL)

Les revêtements d'armoire ont été conçus spécialement pour protéger la base de l'armoire. Pour commander, consulter le tableau ci-dessous afin de trouver le modèle de revêtement correspondant à votre module ainsi qu'à la largeur de l'armoire. Visiter le site www.broan.com ou contacter le service technique (le numéro de téléphone se trouve dans le texte de garantie, en page 30) afin de connaître leurs caractéristiques spécifiques, incluant les profondeurs de chacun des modèles. Pour l'installation, voir la feuille d'instruction du revêtement d'armoire.

Le revêtement d'armoire s'installe avant le module.

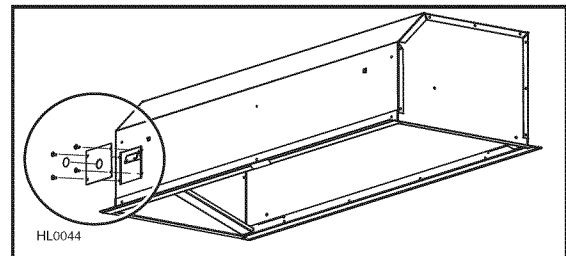
NOTE : Il est possible que la pièce avant de certains modèles de revêtement d'armoire empiète sur le rebord avant du module. Si tel est le cas, retirer cette pièce, assembler le module et réinstaller la pièce avant du revêtement d'armoire.

REVÊTEMENT	MODULE	LARGEUR NOMINALE DE L'ARMOIRE
RML3336S	RMIP33	36 PO
RML3342S	RMIP33	42 PO
RML4548S	RMIP45	48 PO
RML4554S	RMIP45	54 PO
RML4560S	RMIP45	60 PO



7. INSTALLER LA COMMANDE MURALE RMIPWC (OPTIONNELLE)

Le branchement électrique de la commande murale optionnelle se fait à l'avant du module. Effectuer ce branchement avant l'installation du module. Pour les détails de l'installation, voir les instructions incluses avec la commande murale RMIPWC.



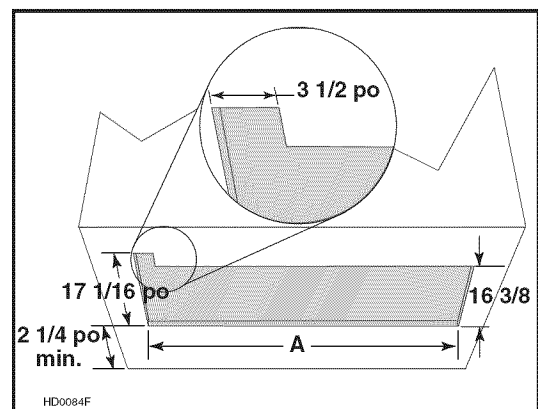
8. DÉCOUPER LE TROU DANS LA BASE DE L'ARMOIRE

Si ce n'est pas déjà fait, découper le trou dans la base de l'armoire, aux dimensions indiquées ci-dessous.

MODÈLE DE MODULE	A
RMIP33	32½ PO
RMIP45	44½ PO

NOTES : 1. Découper l'encoche illustrée dans le médaillon seulement si la commande murale optionnelle RMIPWC est installée.

2. La distance minimale recommandée entre l'arrière de l'armoire et le rebord arrière de la découpe est de 2¼ po.



9. INSTALLER LE VENTILATEUR (EXTÉRIEUR OU INTÉRIEUR)

VENTILATEUR INTÉRIEUR : Suivre toutes les étapes subséquentes de ce guide.

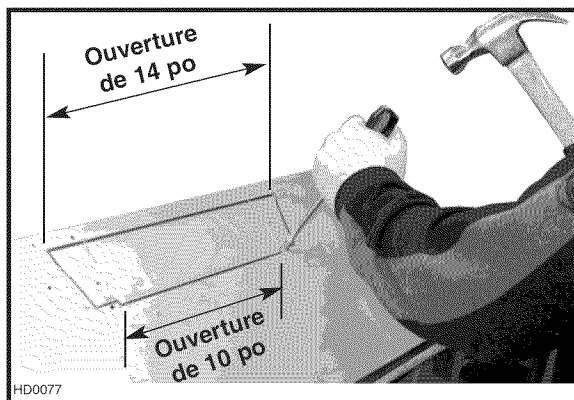
VENTILATEUR EXTÉRIEUR : Voir les instructions fournies avec le ventilateur extérieur et suivre les étapes 13, 14, 16, 17, 19 et suivantes de ce guide.

10. ENLEVER L'OUVERTURE PRÉAMORCÉE (VENTILATEUR INTÉRIEUR)

Enlever l'ouverture préamorcée sur la plaque ventilateur. Voir la photo ci-dessous.

ATTENTION

Si un moteur P5 est installé, enlever l'ouverture préamorcée de 10 pouces de largeur (la plus petite). Si un moteur P8 est installé, retirer l'ouverture préamorcée de largeur correspondante aux conduits (adaptateur 10 po ou 14 po).

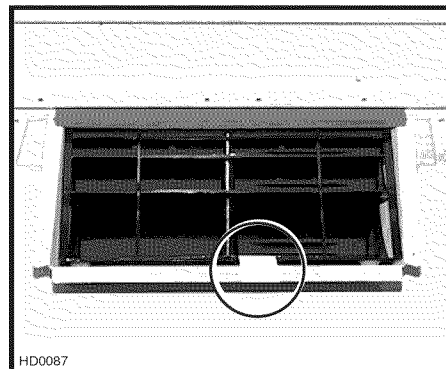


Retrait de l'ouverture préamorcée sur la plaque du ventilateur

11. INSTALLER LE DÉVIATEUR (VENTILATEUR INTÉRIEUR)

Installer le déviateur tel qu'il est illustré.

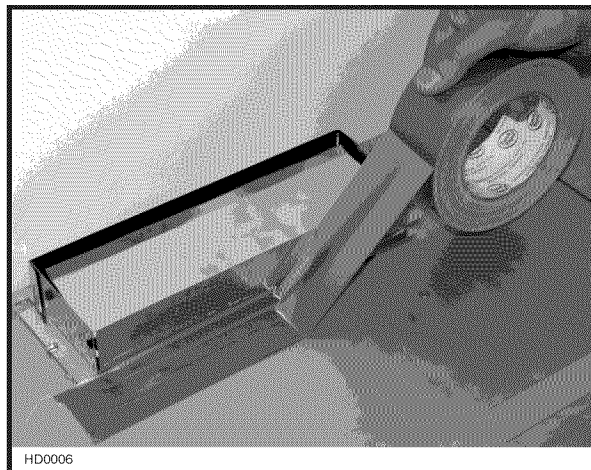
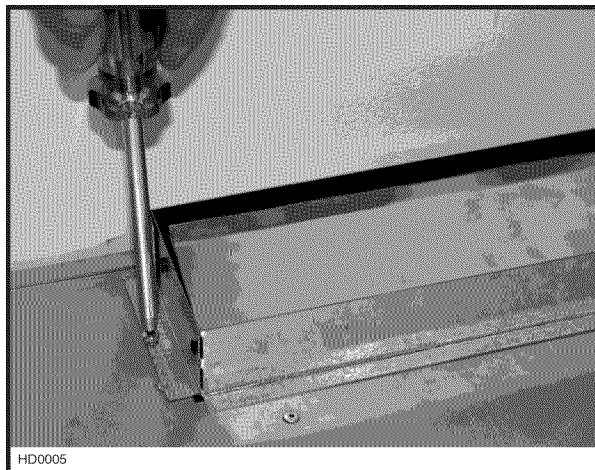
NOTE : Afin d'empêcher que le déviateur glisse à l'extérieur de la plaque ventilateur, apposer du ruban adhésif à sa base une fois inséré dans la plaque ventilateur (incluse avec les ventilateur P5 et P8). S'il est bien installé, le déviateur dépasse d'environ 1/8 po au-dessus de la plaque ventilateur.



12. INSTALLER L'ADAPTATEUR (VENTILATEUR INTÉRIEUR)

En utilisant 2 vis n° 6 x 1/2 po, installer l'adaptateur sur le dessus de la plaque ventilateur. Retirer le ruban adhésif sur le volet de l'adaptateur. Sceller ensuite l'adaptateur à la plaque ventilateur à l'aide de ruban adhésif en toile.

NOTE : S'assurer que le pivot du volet est situé vers l'avant de la hotte.



13. BRANCHEMENTS ÉLECTRIQUES (TOUS LES VENTILATEURS)

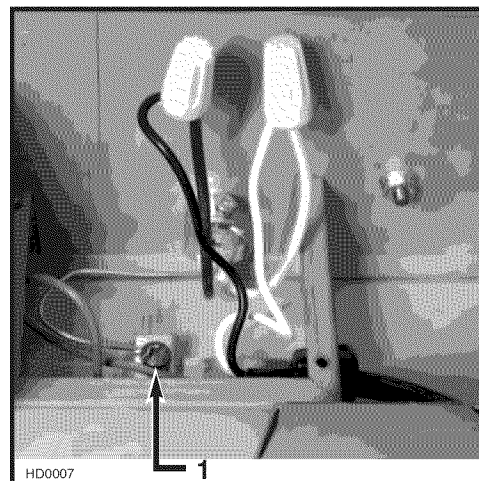
AVERTISSEMENT

Risque d'électrocution. Le raccordement électrique doit être effectué par du personnel qualifié conformément aux codes et standards. Avant d'effectuer le branchement, coupez l'alimentation électrique au panneau de service et verrouillez-le pour éviter une mise en marche accidentelle.

Placer le module sous son armoire. Passer le fil d'alimentation électrique par le trou du dessus du module.

VENTILATEUR INTÉRIEUR : Défoncer l'ouverture préamorcée pour le fil électrique sur le dessus de la plaque ventilateur. Enlever le couvercle de la boîte électrique et y insérer le serre-fils. Passer le câble d'alimentation électrique dans la boîte électrique de la plaque ventilateur et serrer la vis du serre-fils pour le maintenir en place.

Connecter les fils à la boîte électrique en utilisant les connecteurs fournis. Connecter le fil NOIR au NOIR, le BLANC au BLANC et le VERT ou le fil dénudé à la vis de mise à la terre. **NE PAS OUBLIER DE CONNECTER LA MISE À LA TERRE.** Refermer le couvercle.

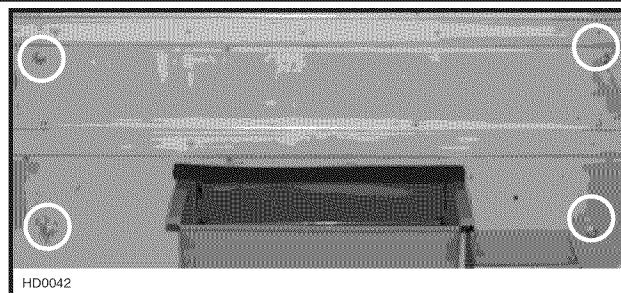


VENTILATEUR EN LIGNE OU EXTÉRIEUR : Enlever le couvercle de la boîte électrique de la plaque ventilateur et effectuer le branchement électrique (voir les instructions incluses avec le ventilateur en ligne ou extérieur).

1) Vis de mise à la terre

14. INSTALLER LA PLAQUE VENTILATEUR (TOUS LES VENTILATEURS)

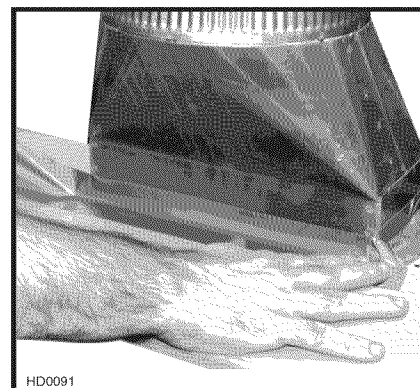
VENTILATEUR INTÉRIEUR : Installer soigneusement la plaque à l'intérieur en haut du module en utilisant 4 écrous dentelés. Voir la photo ci-contre.



VENTILATEUR EN LIGNE OU EXTÉRIEUR : Voir les instructions incluses avec la plaque ventilateur. Installer la plaque à l'intérieur du module en utilisant 4 écrous dentelés.

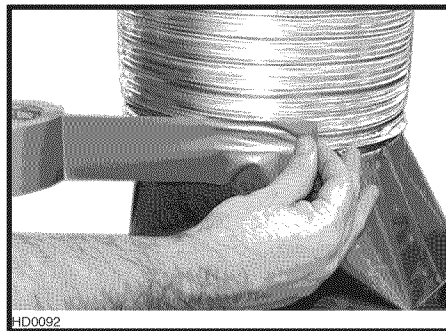
15. INSTALLER LA TRANSITION (VENTILATEUR INTÉRIEUR)

Glisser la transition par-dessus l'adaptateur. Sceller la transition à l'adaptateur en utilisant du ruban adhésif en toile.



16. RACCORDEMENT DES CONDUITS (TOUS LES VENTILATEURS)

- A. Si l'accès au dessus de l'armoire demeure ouvert, aller au point 17 *Installer le module*, puis raccorder les conduits et sceller les joints à l'aide de ruban adhésif en toile.
- B. Lorsque l'accès au dessus de l'armoire est fermé, tirer doucement le conduit de métal à travers le trou de la base de l'armoire. Glisser ce conduit par-dessus la transition (ventilateur intérieur) ou par-dessus le collet de la plaque ventilateur (ventilateur en ligne ou extérieur). S'assurer que l'adaptateur entre dans le conduit. Sceller le raccordement à l'aide de ruban adhésif en toile.



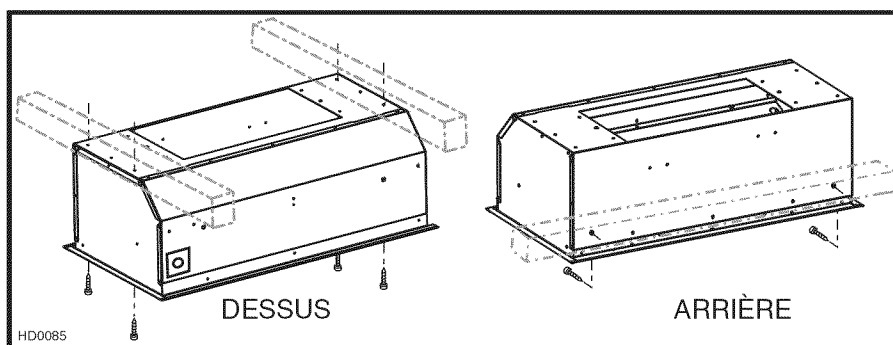
ATTENTION

Prendre soin de ne pas plier les conduits en installant le module (point 17).

17. INSTALLER LE MODULE

Si une commande murale optionnelle est prévue, consulter maintenant ses instructions d'installation. Une fois installée, continuer l'installation du module.

Installer le module à l'intérieur de l'armoire et le fixer à sa charpente en utilisant les vis n° 8 x 3/4 po fournies. Commencer par les 4 vis du dessus et terminer par les 2 arrière. (Voir la figure ci-contre pour la localisation exacte des vis de montage.)

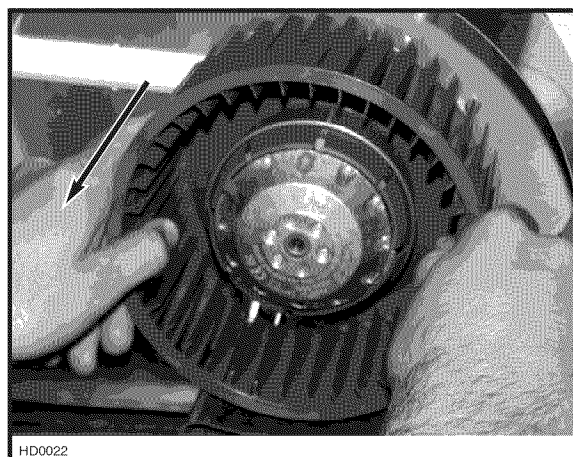
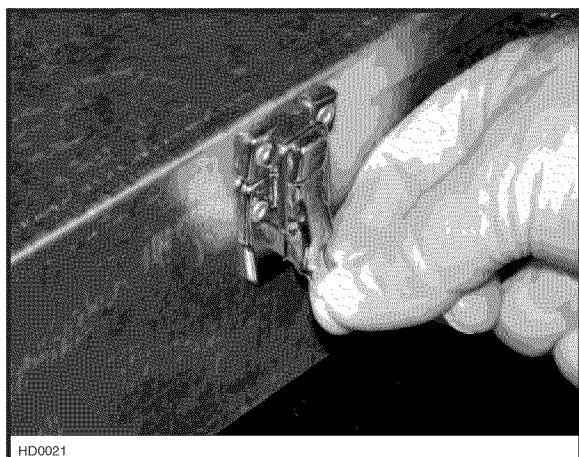


ATTENTION

Prendre soin de ne pas plier les conduits ou de pincer le fil d'alimentation électrique en installant le module.

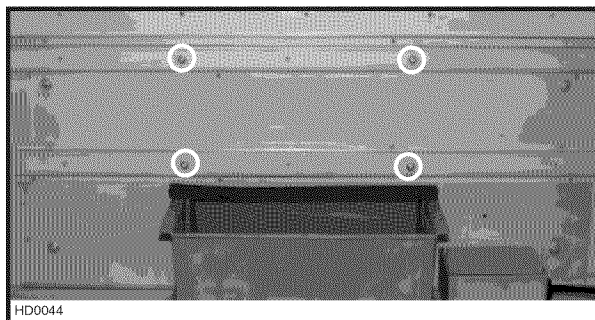
18. INSTALLER LE VENTILATEUR (VENTILATEUR INTERIEUR)

Le ventilateur doit être installé à la plaque ventilateur en utilisant 6 vis n° 8 x 3/8 po pour le ventilateur simple et 8 vis n° 8 x 3/8 po pour le ventilateur double. Enlever le couvercle du ventilateur. Enlever ensuite la ou les roue(s) du ventilateur en tirant délicatement (voir photos ci-dessous).

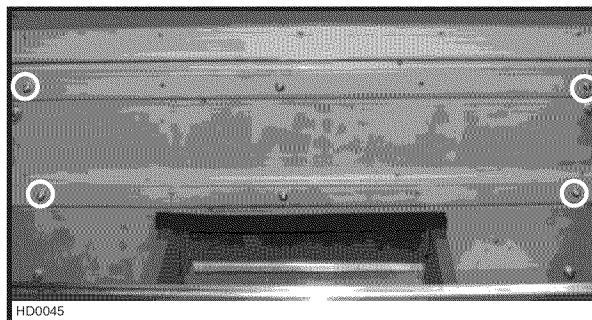


18. INSTALLER LE VENTILATEUR (VENTILATEUR INTERIEUR) (SUITE)

Installer 4 vis n° 8 x 3/8 po aux endroits indiqués sur les photos ci-dessous (ventilateur simple ou double) en laissant un espace d'environ 1/8 po. Accrocher ensuite le ventilateur à la plaque ventilateur (passer les têtes de vis à travers la grande partie des trous). Glisser ensuite le ventilateur en position (les têtes de vis dans la petite partie des trous). Serrer les 4 vis complètement.

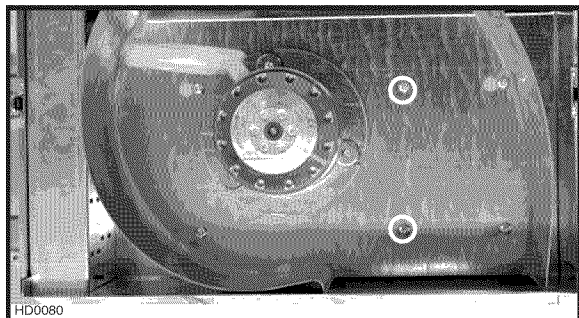


Ventilateur simple (P5)

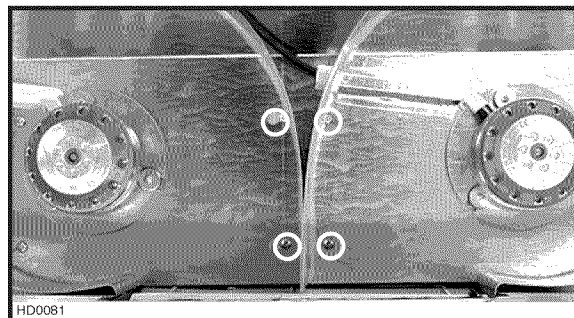


Ventilateur double (P8)

Terminer la fixation du ventilateur à l'aide de 2 autres vis n° 8 x 3/8 po pour le ventilateur P5 et 4 autres vis n° 8 x 3/8 po aux endroits indiqués sur les photos ci-dessous (ventilateur simple ou double). Remettre en place la ou les roue(s) de ventilateur et le couvercle.

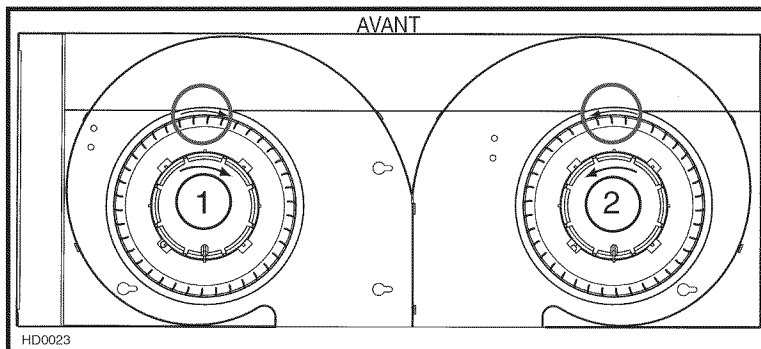


Ventilateur simple (P5)



Ventilateur double (P8)

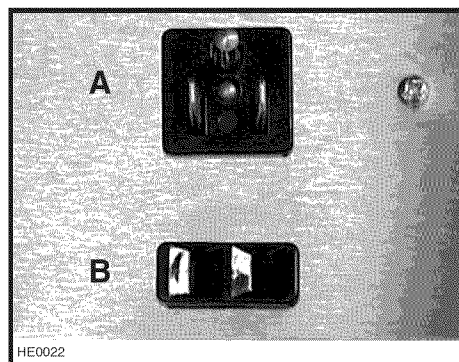
POUR LE VENTILATEUR DOUBLE, S'ASSURER QUE LES ROUES SONT BIEN REPLACÉES; LA HOTTE NE FONCTIONNERA PAS NORMALEMENT SI ELLES SONT INVERSÉES. Dans le cas d'un ventilateur double, les deux roues sont différentes; une doit tourner dans le sens horaire et l'autre dans le sens anti-horaire. Chaque roue et moteur comportent une flèche et un numéro, vous devez les appairer correctement. (Voir dessin ci-contre.)



AVERTISSEMENT

Ne jamais brancher le fil électrique du ventilateur à la prise femelle du cordon d'alimentation.

Brancher le cordon de la boîte électrique (A) et le ventilateur (B) aux prises derrière le panneau de contrôle, à l'intérieur du module.



19. AMPOULES HALOGÈNES

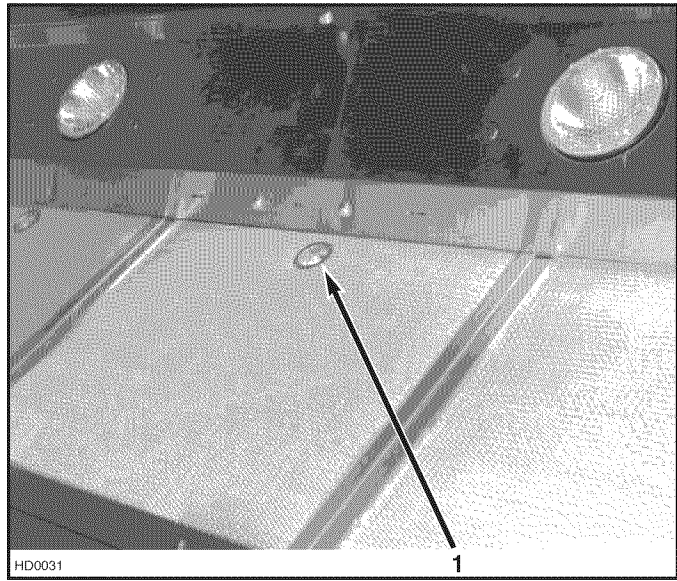
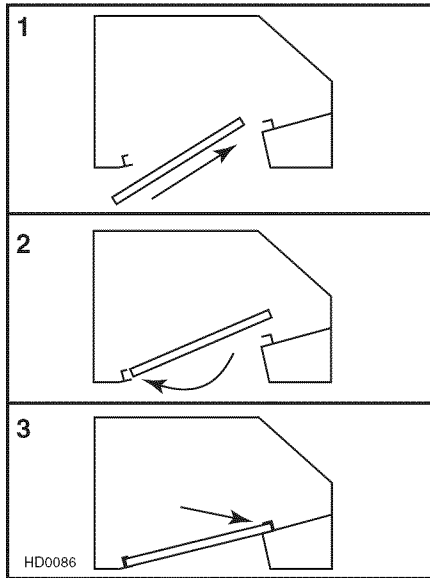
Cette hotte de cuisinière utilise des ampoules halogènes de 50 W (120 V, 50 W, PAR 20) (non incluses).
Installer les ampoules en les tournant dans le sens horaire.

20. INSTALLER LES FILTRES

Il est recommandé d'installer d'abord les filtres situés aux extrémités et de terminer par le(s) filtre(s) du centre.

1. Insérer la partie supérieure du filtre dans le module (côté de la poignée).
2. Faire pivoter la partie inférieure vers l'intérieur et pousser pour l'insérer dans la gouttière à l'arrière du module.
3. Tout en poussant sur le filtre, le glisser sous sa pièce de retenue intérieure.

Des filtres de remplacement sont disponibles chez votre détaillant. Consulter l'étiquette à l'intérieur du module de hotte encastrable pour connaître le numéro de pièce et le format.

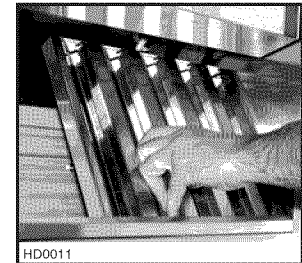


1) Poignée

Filtres à chicane

Ces filtres sont disponibles en option. Pour commander, se référer au tableau ci-dessous pour trouver le numéro de l'ensemble correspondant au module de hotte encastrable. Pour les installer, voir la feuille d'instruction incluse avec l'ensemble de filtre à chicane.

N° D'ENSEMBLE	MODELE DE MODULE
RBFIP33	RMIP33
RBFIP45	RMIP45



FILTRE À CHICANE (TYPIQUE)

21. ENTRETIEN

Filtres et roue(s) de ventilateur.

Les filtres, la gouttière et la ou les roue(s) de ventilateur doivent être fréquemment nettoyés. Utiliser de l'eau chaude additionnée de détergent. Les filtres et les roues peuvent être nettoyés au lave-vaisselle.

Pousser les filtres vers l'intérieur du module et les désengager de la gouttière pour ensuite les retirer.

Nettoyer les filtres fabriqués entièrement de métal au lave-vaisselle à l'aide d'un détergent sans phosphate. L'utilisation d'un détergent avec phosphates ainsi que les conditions locales de l'eau peuvent entraîner une décoloration des filtres, sans toutefois affecter leur performance. Cette décoloration n'est pas couverte par la garantie.

Acier inoxydable : Comment maintenir son apparence étincelante

À faire :

- Laver régulièrement les surfaces à l'aide d'un chiffon ou linge propre imbibé d'eau tiède et de savon doux ou détergent liquide à vaisselle.
- Toujours nettoyer dans le sens du polissage.
- Toujours bien rincer avec de l'eau claire (2 à 3 fois) et essuyer complètement.
- Un nettoyant domestique conçu spécialement pour l'acier inoxydable peut aussi être utilisé.

À ne pas faire :

- Utiliser une laine d'acier ou d'acier inoxydable ou tout autre grattoir pour enlever la saleté tenace.
- Utiliser une poudre nettoyante abrasive ou rugueuse.
- Laisser la saleté s'accumuler.
- Laisser la poussière de plâtre ou tout autre résidu de construction atteindre la hotte. Couvrir la hotte pour la durée des travaux afin de s'assurer qu'aucune poussière n'atteigne la hotte.

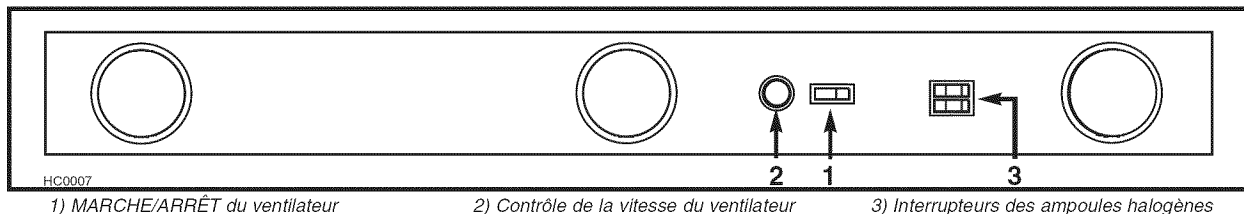
21. ENTRETIEN (SUITE)

À éviter lors du choix d'un détergent :

- Tous produits nettoyants qui contiennent des **agents de blanchiment**; ils attaqueront l'acier inoxydable.
- Tous produits contenant du **chlorure, fluorure, iode ou bromure**; ils détérioreront rapidement les surfaces.
- Tous **produits combustibles** utilisés pour le nettoyage : **acétone, alcool, éther, benzène**, etc.; ils sont hautement explosifs et ne devraient jamais être utilisés près d'une cuisinière.

22. FONCTIONNEMENT

Toujours mettre en marche le ventilateur avant de commencer la cuisson afin d'établir une circulation d'air dans la cuisine. Laisser également le ventilateur fonctionner quelques minutes après l'arrêt de la cuisinière afin de nettoyer l'air. Ceci aidera à garder la cuisine plus propre et plus claire.



VENTILATEUR

Le ventilateur fonctionne à l'aide de deux commandes, ou avec la commande murale optionnelle RMIPWC. Utiliser l'interrupteur MARCHE/ARRÊT muni d'une lumière rouge pour mettre en marche et arrêter le ventilateur. Lorsque mis sous tension, le ventilateur fonctionnera à la vitesse utilisée la dernière fois. Utiliser le contrôle de vitesse du ventilateur en tournant dans le sens horaire pour diminuer la vitesse et le sens anti-horaire pour augmenter la vitesse.

AMPOULES HALOGÈNES

Deux interrupteurs marche/arrêt contrôlent les lampes halogènes. L'interrupteur à bascule avant contrôle la lampe du centre (pour les modules de 45 po). L'interrupteur arrière contrôle les lampes de chaque côté (chaque interrupteur contrôle une ampoule pour les modules de 33 po). Allumer une, deux ou trois ampoules selon vos besoins. Utiliser des ampoules halogènes PAR 20, 50 W (non comprises).

HEAT SENTRY^{MC}

Votre module de hotte encastrable est équipé d'un capteur de température appelé Heat Sentry. Ce capteur mettra en marche automatiquement le ventilateur du module ou augmentera sa vitesse s'il détecte de la chaleur excessive au-dessus de la surface de cuisson.

- 1) Si le ventilateur n'est pas en marche – il met le ventilateur en marche à haute vitesse.
- 2) Si le ventilateur est en marche à une vitesse inférieure – il met le ventilateur à vitesse maximum.

⚠ AVERTISSEMENT

Le HEAT SENTRY peut entrer en fonction même si le module est arrêté. Dans ce cas, il est impossible d'arrêter le ventilateur avec son interrupteur. Si vous devez arrêter le ventilateur, faites-le à partir du panneau électrique principal.

Lorsque la température revient à la normale, la vitesse du ventilateur retourne à sa position originale.

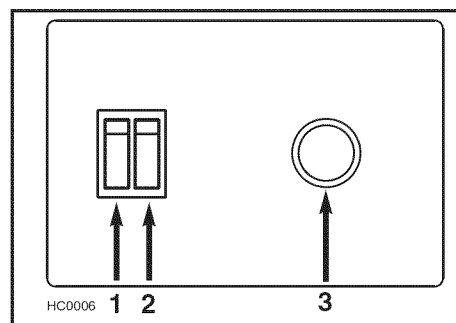
Tester toutes les commandes du module. Si la commande murale optionnelle RMIPWC est installée, tester toutes ses commandes.

Terminer la construction de l'armoire.

COMMANDE RMIPWC (OPTIONNELLE)

Il existe une commande murale optionnelle pour le fonctionnement du module. Pour les détails d'installation, voir les directives d'installation qui accompagnent la commande RMIPWC.

NOTE : Lorsque la commande RMIPWC est branchée au module, les commandes du module ne fonctionnent plus.



- 1) Interrupteur d'éclairage
- 2) MARCHE/ARRÊT du ventilateur
- 3) Contrôle vitesse du ventilateur

GARANTIE

GARANTIE LIMITÉE DE UN AN DES PRODUITS BROAN ELITE

Broan-NuTone LLC (Broan-NuTone) garantit à l'acheteur consommateur initial des produits Broan Elite qu'ils sont exempts de tout défaut dans les matières premières ou la main-d'œuvre, pour une période de un an à compter de la date d'achat par le consommateur initial. IL N'Y A PAS D'AUTRES GARANTIES, EXPRIMÉES OU IMPLICITES, INCLUANT, MAIS NON LIMITÉES AUX GARANTIES IMPLICITES POUR FIN DE COMMERCIALISATION ET DE CONVENANCE DANS UN BUT PARTICULIER.

Durant cette période de un an, Broan-NuTone, à sa discrétion, réparera ou remplacera gratuitement tout produit ou pièce qui s'avère défectueux et ayant été utilisé normalement et d'une manière non abusive.

CETTE GARANTIE NE COUVRE PAS LES STARTERS DE TUBES FLUORESCENTS, LES FLUORESCENTS, LES AMPOULES HALOGÈNES ET À INCANDESCENCE, LES FUSIBLES, LES FILTRES, LES CONDUITS, LES CAPUCHONS DE TOIT, LES CAPUCHONS DE MUR ET LES AUTRES ACCESSOIRES DE CONDUITS. Cette garantie ne couvre pas (a) l'entretien et le service normal ou (b) tout produit ou pièce endommagé à la suite de mauvais usage, négligence, accident, entretien inapproprié ou réparation (autre que par Broan-NuTone), mauvaise installation ou installation non conforme au mode d'installation recommandé.

La durée de toute garantie implicite est limitée à une période de un an telle qu'elle est spécifiée pour la garantie exprimée. Certains États ou provinces ne permettent pas de limite de temps sur les garanties implicites. Si tel est le cas, veuillez ne pas tenir compte de la dernière limite décrite ci-dessus.

L'ENGAGEMENT DE BROAN-NUTONE DE RÉPARER OU DE REMPLACER, AU CHOIX DE BROAN-NUTONE, SERA LA SEULE OBLIGATION EXCLUSIVE SOUS CETTE GARANTIE. BROAN-NUTONE NE SERA PAS TENUE RESPONSABLE DES DOMMAGES DIRECTS, INDIRECTS OU SPÉCIAUX SURVENANT À CAUSE DE OU EN RAPPORT À L'UTILISATION OU À LA PERFORMANCE DE SES PRODUITS. Certains États ou provinces ne permettent pas l'exclusion ou la limite relative aux dommages directs, indirects ou spéciaux. Si tel est le cas, veuillez ne pas tenir compte de l'exclusion ou de la limite ci-dessus.

Cette garantie vous donne des droits légaux spécifiques et il se peut que vous ayez d'autres droits qui varient d'un État ou d'une province à l'autre. Cette garantie annule toutes les autres garanties précédentes.

Pour le service sous garantie, vous devez (a) aviser Broan-NuTone à l'adresse ou numéro de téléphone mentionné plus bas, (b) donner le numéro du modèle et l'identification de la pièce et (c) décrire la nature de tout défaut dans le produit ou la pièce. Au moment de la demande de service sous garantie, vous devez présenter une preuve de la date d'achat initial dudit produit.

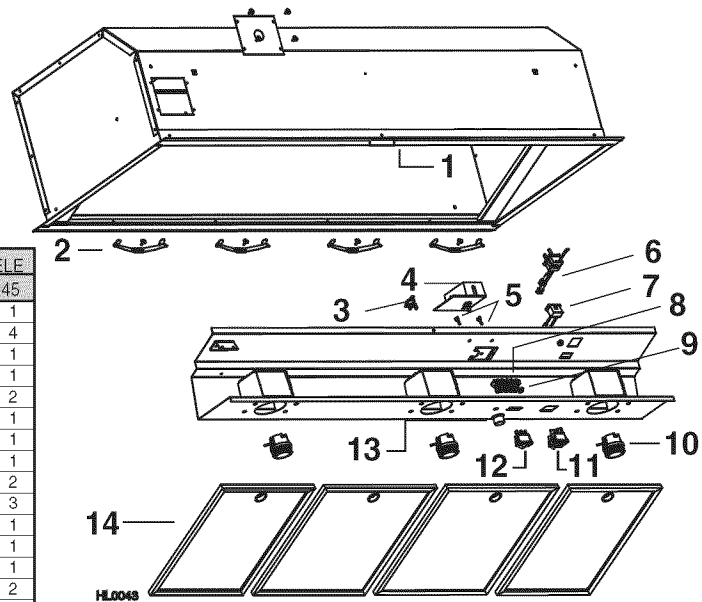
Aux États-Unis - Broan-NuTone LLC; 926 W. State Street, Hartford, Wisconsin 53027 www.broan.com 800 558-1711

Au Canada - Broan-NuTone Canada; 1140 Tristar Drive, Mississauga, ON L5T 1H9 www.broan.ca 877 896-1119

PIÈCES DE REMPLACEMENT

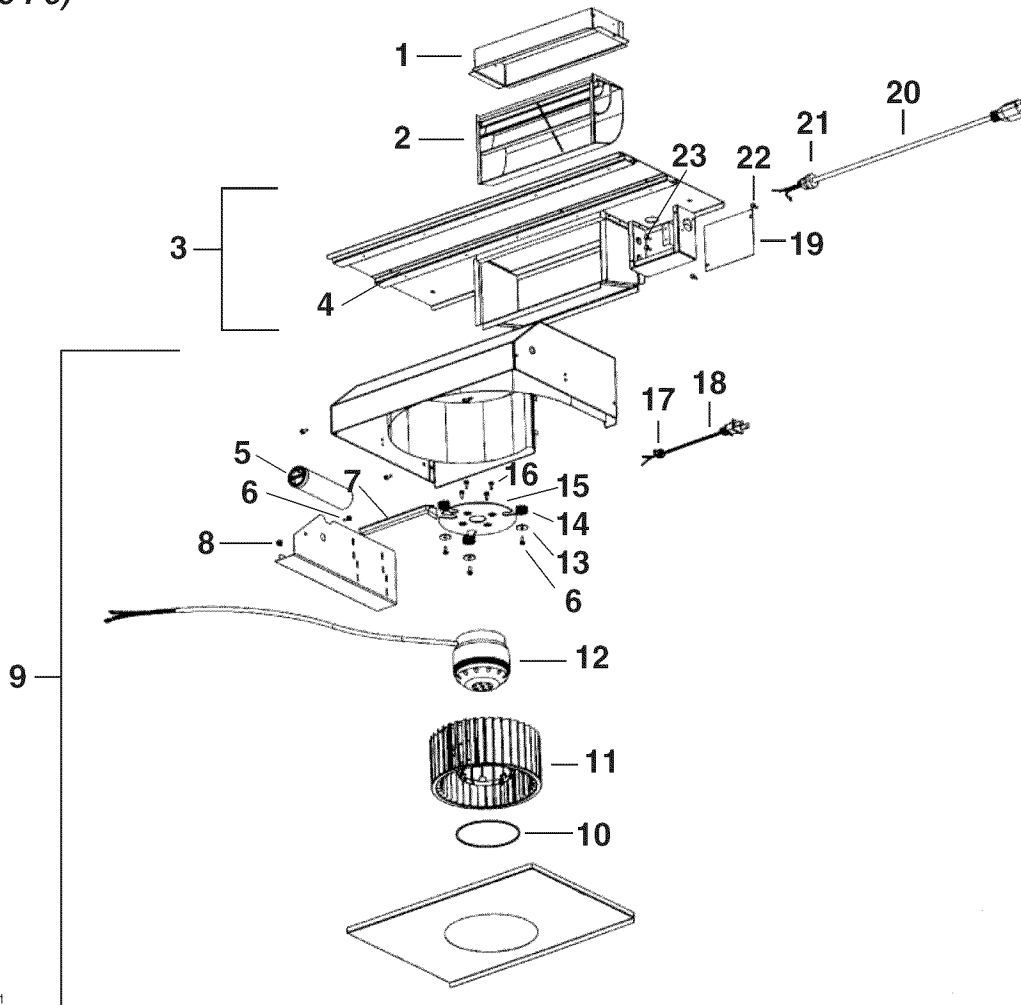
MODÈLES RMIP33 ET RMIP45

N° RÉF.	N° DE PIÈCE	DESCRIPTION	MODÈLE	
			33	45
1	SV03493	LOGO RANGEMASTER	1	1
2	SV03686	ATTACHE FILTRE	3	4
3	SV03435	THERMOSTAT	1	1
4	SV03501	CONTRÔLE DE VITESSE	1	1
5	SV02512	VIS N° 8-32 x 1/2 po, QUADREX	2	2
6	SV02773	CONNECTEUR MÂLE	1	1
7	SV02772	CONNECTEUR FEMELLE	1	1
8	SV03505	BORNIER	1	1
9	SV00673	ÉCROU DENTELÉ N° 8-32	2	2
10	SV02264	DOUILLE	2	3
11	SV03502	INT.DOUBLE UPST (LAMPES HAL.)	1	1
12	SV03503	INT.SIMPLE UPST ILLUMINÉ (VENTILATEUR)	1	1
13	SV03504	BOUTON DU CONTRÔLE DE VITESSE	1	1
14	SV05865	FILTRES MICROMESH 9,25 PO x 12,5 PO	3	2
	SV05866	FILTRES MICROMESH 11,13 PO x 12,5 PO	-	2
	SV02544	AMPOULES HALOGÈNES PAR 20 50 W	3	4
	SV05861	GUIDE D'INSTALLATION	1	1
	SV03888	SAC D'INSTALLATION ([4] écrous à bride n° 10-32, [1] serre-fils LP16-AP, [2] connecteurs n° 74B, [8] vis n° 8 x 3/4 po, [8] vis n° 8 x 3/8 po, [2] vis n° 6 x 1/2 po)	1	1



PIÈCES DE REMPLACEMENT

PLAQUE ET VENTILATEUR SIMPLE (Modèle P5)

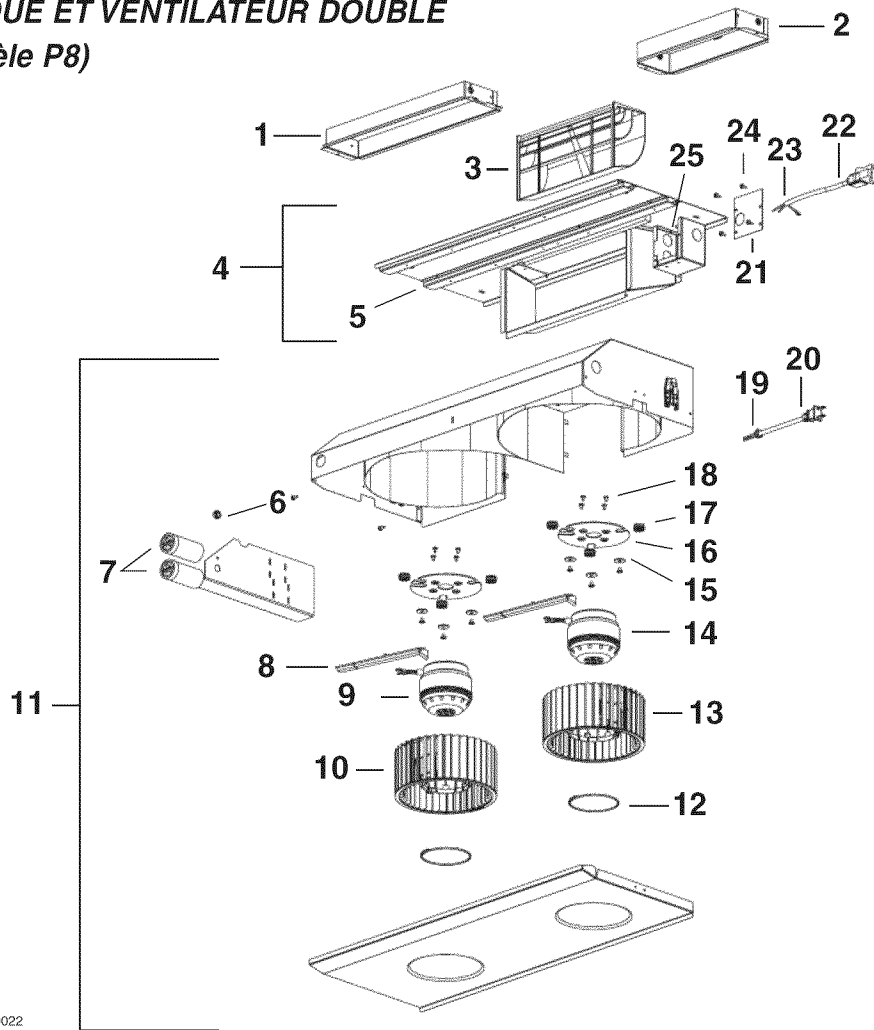


HL0021

N° DE RÉF.	N° DE LA PIÈCE	DESCRIPTION	QTÉ
1	SV13296	ADAPTATEUR ET VOLET 3¼ PO X 10 PO	1
2	SV03500	DÉFLECTEUR D'AIR	1
3	SV12997	PLAQUE VENTILATEUR SIMPLE ASSEMBLÉE	1
4	SV03577	MOUSSE 1/2 PO X 1/2 PO X 12 PO	1
5	SV02160	CONDENSATEUR 15 µF	1
6	SV01869	VIS MÉCANIQUE N° 6-32 X 1/4 PO	4
7	SV01857	CACHE-FILS	1
8	SV01582	ÉCROU DENTELE N° 6-32	1
9	SV14973	VENTILATEUR SIMPLE ASSEMBLÉ	1
10	SV01810	ANNEAU ROUE	3
11	SV03400	ROUE HOTTE 7,094 PO X 3,375 PO CW	1
12	SV01766	MOTEUR 165 W CW	1
13	SV00871	RONDELLE 3/16 PO DI X 3/4 PO DE	3
14	SV02001	OUILLET MOTEUR G-431-1	3
15	SV01831	COLLIER DE SERRAGE 8 PO	2
15	SV11705	SUPPORT DE MOTEUR	1
	SV11614	FIL N° 18 TEW BRUN X 10 PO	1
16	SV01927	VIS MÉTRIQUE M4 X 6 MM PAN QDRX	4
17	SV03495	ARRÊT DE TRACTION CORDON VENTILATEUR	1
18	SV03494	CORDON D'ALIMENTATION VENTILATEUR 36 PO	1
19	SV13230	PORTE CONNEXION ÉLECTRIQUE	1
20	SV03496	CORDON D'ALIMENTATION 120 VOLTS	1
21	SV00660	ARRÊT DE TRACTION CORDON D'ALIMENTATION	1
22	SV05520	VIS N° 8 X 3/8 PO, T/B, TÊTE N° 8	2
23	SV00613	VIS N° 10-32 X 3/8 PO, TF, VERTE	2

PIÈCES DE REMPLACEMENT

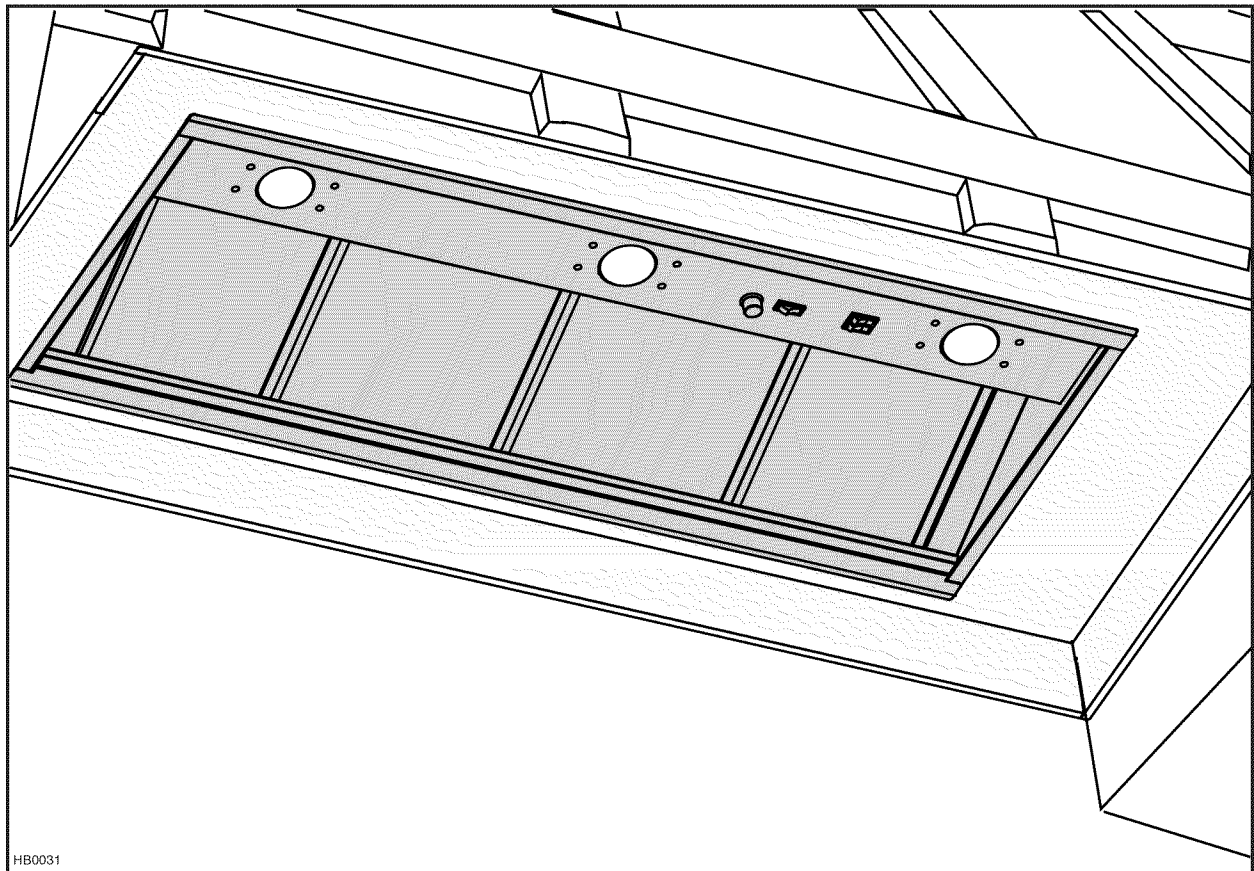
PLAQUE ET VENTILATEUR DOUBLE (Modèle P8)



HL0022

N° DE RÉF.	N° DE LA PIÈCE	DESCRIPTION	QTÉ
1	SV14971	ADAPTATEUR ET VOLET 3¼ PO X 14 PO	1
2	SV13296	ADAPTATEUR ET VOLET 3¼ PO X 10 PO	1
3	SV03500	DÉFLECTEUR D'AIR	1
4	SV14975	PLAQUE VENTILATEUR DOUBLE ASSEMBLÉE	1
5	SV03577	MOUSSE 1/2 PO X 1/2 PO X 12 PO	1
6	SV01582	ÉCROU DENTELE N° 6-32	1
7	SV02160	CONDENSATEUR 15 µF	2
8	SV01857	CACHE-FILS	2
9	SV01766	MOTEUR 165 W CW	1
10	SV03400	ROUE HOTTE 7,094 PO X 3,375 PO CW	1
11	SV14974	VENTILATEUR DOUBLE ASSEMBLÉ	1
12	SV01810	ANNEAU ROUE	2
13	SV03399	ROUE HOTTE 7,094 PO X 3,375 PO CCW	1
14	SV03457	MOTEUR 165 W CCW	1
15	SV00871	RONDELLE 3/16 PO DI X 3/4 DE	6
	SV01831	COLLIER DE SERRAGE 8 PO	2
16	SV11705	SUPPORT DE MOTEUR	2
	SV11614	FIL N° 18 TEW BRUN X 10 PO	2
17	SV02001	OUILLET MOTEUR G-431-1	6
18	SV01927	VIS MÉTRIQUE M4 X 6 MM PAN QDRX	8
19	SV03495	ARRÊT DE TRACTION CORDON DE VENTILATEUR	1
20	SV03494	CORDON D'ALIMENTATION VENTILATEUR 36 PO	1
21	SV14960	PORTE CONNEXION ÉLECTRIQUE	1
22	SV00660	ARRÊT DE TRACTION CORDON D'ALIMENTATION	1
23	SV03496	CORDON D'ALIMENTATION 120 VOLTS	1
24	SV05520	VIS N° 8 X 3/8 PO, T/B, TÊTE N° 8	4
25	SV00613	VIS N° 10-32 X 3/8 PO, TF, VERTE	2

BROAN® *Elite*



MODELOS RMIP33 Y RMIP45

⚠ CONCEBIDO SÓLO PARA USO DOMÉSTICO ⚠

LEER Y CONSERVAR ESTAS INSTRUCCIONES

INSTALADOR: DEJAR ESTE MANUAL AL PROPIETARIO.
PROPIETARIO : INSTRUCCIONES DE UTILIZACIÓN Y MANTENIMIENTO
EN LAS PÁGINAS 44 A 45.

Broan-NuTone LLC; Hartford, Wisconsin www.broan.com 800-558-1711
Broan-NuTone Canada; Mississauga, Ontario www.broan.ca 877-896-1119

REGISTRE SU PRODUCTO EN LÍNEA EN: www.broan.com/register

ADVERTENCIA

PARA REDUCIR EL RIESGO DE INCENDIO, DESCARGA ELÉCTRICA, O LESIONES A PERSONAS, CUMPLA LOS SIGUIENTES PUNTOS:

1. Solamente use esta unidad de la manera propuesta por el fabricante. Si tiene alguna pregunta, comuníquese con el fabricante en la dirección o teléfono anotados en la garantía.
2. Antes de limpiar o poner en servicio la unidad, apague el interruptor en el panel de servicio, y asegure el panel de servicio para evitar que se encienda accidentalmente. Cuando el dispositivo para desconectar el servicio eléctrico no puede ser cerrado con algún tipo de traba, sujete fuertemente al panel de servicio, una etiqueta de advertencia prominente.
3. El trabajo de instalación y el alambrado eléctrico deben llevarse a cabo por personal calificado de acuerdo con todos los códigos y las normas aplicables, incluyendo los códigos y normas de construcción contra incendios.
4. Se requiere una cantidad de aire suficiente para la combustión y escape de gases por la chimenea del equipo de quemado de combustible para evitar salirse de las especificaciones y estándares de seguridad del fabricante, tales como los publicados por la Asociación nacional de protección contra incendios (NFPA por sus siglas en Inglés), y la Sociedad americana de ingenieros de calefacción, refrigeración y aire acondicionado (ASHRAE por sus siglas en Inglés), y los códigos de las autoridades locales.
5. Cuando corte o taladre en una pared o techo, no dañe los cables eléctricos ni otras instalaciones ocultas.
6. Los ventiladores con conductos deben siempre ventilar hacia el exterior.
7. No use esta unidad con ningún otro control de velocidad de estado sólido, salvo el control remoto RMIPWC (opcional).
8. Para reducir todo riesgo de incendio, use solamente conductos en metal.
9. Esta unidad se debe conectar a tierra.
10. Cuando una reglamentación local esta en vigor y conlleva exigencias de instalación y/o de certificación mas estrictas, susodichas exigencias prevalecen sobre aquellas en este documento y el instalador acepta someterse a estas exigencias a sus gastos.

PARA REDUCIR EL RIESGO DE INCENDIO DE GRASA EN LA SUPERFICIE DE LA ESTUFA:

- a) No deje nunca los aparatos de cocer sin vigilancia a fuego vivo. Los desbordamientos producen humo y derrames grasiendos que pueden inflamarse. Caliente el aceite despacio, a fuego lento o mediano.
- b) Ponga en marcha siempre la campana al cocinar a temperaturas elevadas o al cocinar alimentos flameados.
- c) Limpie los ventiladores con frecuencia. No deje que la grasa se acumule en el ventilador ni en el filtro.
- d) Utilice cacerolas de tamaño apropiado. Emplee siempre un recipiente adecuado para el tamaño de la placa.

ADVERTENCIA

PARA EVITAR RIESGO DE LESIONES PERSONALES EN CASO DE INCENDIO DE GRASA EN LA SUPERFICIE DE LA ESTUFA, OBSERVE LO SIGUIENTE*:

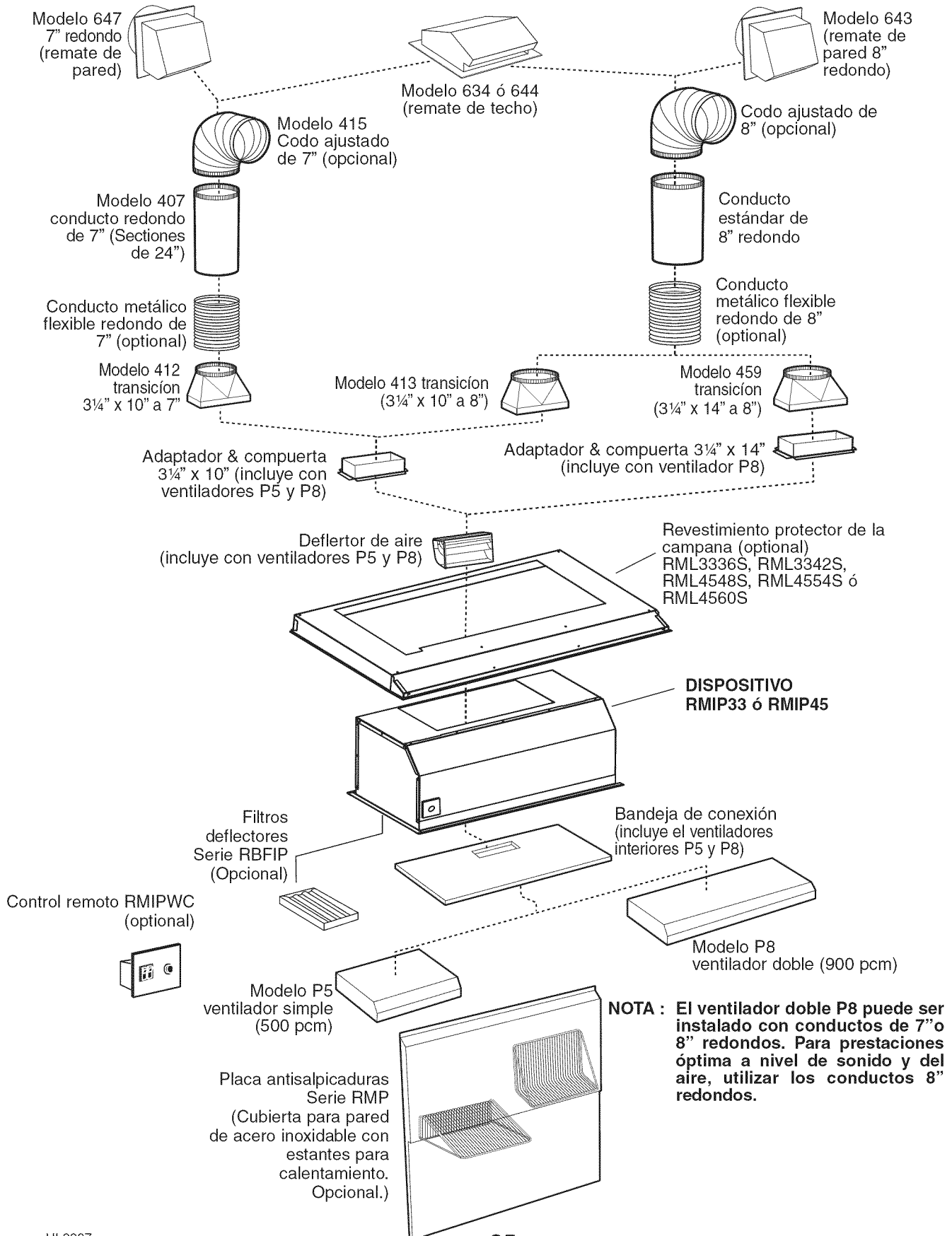
1. Cubra y sofoque las llamas con una tapa ajustada, azafate de hornear galletas, o azafate de metal, y luego apague el calentador. **TENGA CUIDADO PARA EVITAR QUEMADURAS.** Si la llamas no se apagan inmediatamente, **HAY QUE EVACUAR Y LLAMAR LOS BOMBEROS.**
2. **NUNCA ALCE UNA SARTÉN QUE TENGA LLAMAS** – Usted se puede quemarse.
3. **NO USE AGUA**, incluyendo trapos, lavaplatos mojados o toallas - puede que ocurran explosiones de vapor violentas.
4. Use un extintor **SOLAMENTE** si:
 - A. usted sabe que tiene un extintor ABC y sabe usarlo.
 - B. El incendio es pequeño y está restringido al área donde empezó.
 - C. Se está llamando los bomberos.
 - D. Usted puede tratar de apagar el fuego teniendo una salida detrás suyo.

* Basado en "Kitchen Fire Safety Tips" publicado por la Asociación Nacional de protección contra Incendios (NFPA).

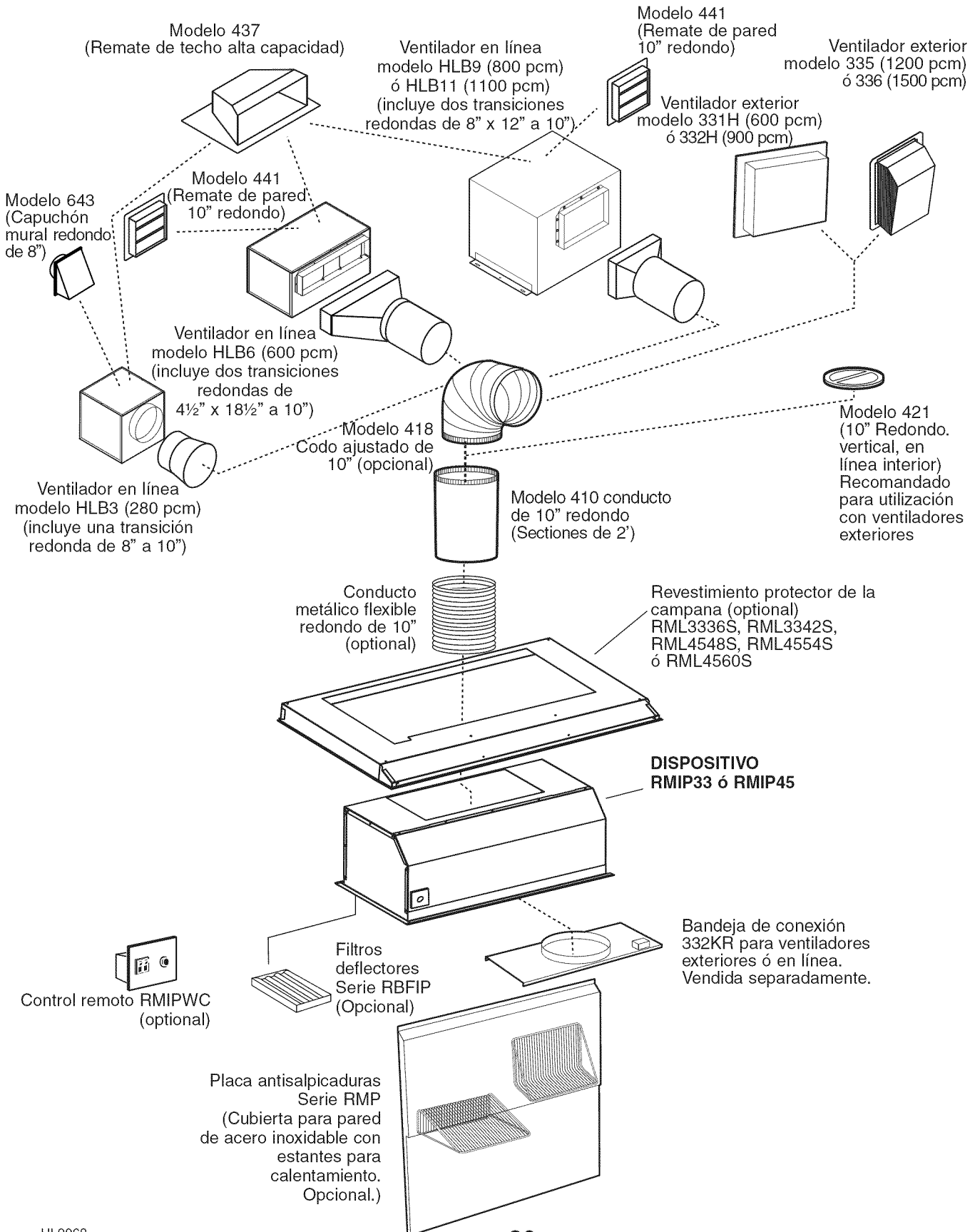
PRECAUCIÓN

1. Sólo para una utilización en el interior.
2. Sólo para uso de ventilación general. No se use para extraer materiales o vapores peligrosos o explosivos.
3. Para evitar daños al cojinete del motor y/o impulsores ruidosos o desequilibrados, mantenga la fuente de potencia lejos de rocíos de pared seca, de polvo de construcción, etc.
4. El motor del dispositivo tiene un dispositivo contra sobrecargas térmicas que apaga el motor en forma automática si éste se sobrecalienta. El motor volverá arrancar cuando se enfríe. Si el motor sigue apagándose, haga verificar campana reciba servicio.
5. La distancia mínima entre la campana y la encimera debe ser de 24". Asimismo, se recomienda que dicha distancia no supere las 30" para obtener la máxima capacidad de absorción de la impurezas creadas la cocinar.
6. Se recomienda que la instalación la realicen dos personas, debido al tamaño y peso de esta campana.
7. A fin de reducir los riesgos de incendio y para bien evacuar el aire de salida, asegúrese de evacuar el aire al exterior – No evacue el aire en espacios limitados como el interior de las paredes o del techo o en el desván, falso techo o garaje.
8. Este producto está equipado de un termostato que puede hacer partir el ventilador automáticamente. Para evitar los riesgos de daño, apague la corriente del panel eléctrico y cierre con candado o afiche una advertencia en el panel para prevenir que la campana funcione automáticamente.
9. A causa de la gran capacidad de evacuación de esta dispositivo, usted debe asegurarse que suficiente aire entre en la casa para remplazar el aire evacuado abriendo una ventana a el interior o cerca de la cocina por ejemplo.
10. Para reducir el riesgo de incendio y descarga eléctrica, los modelos Broan RMIP33 y RMIP45 deben ser instalados con ventilador interior modelo P5 o P8, ventilador exterior modelo 331H, 332H, 335 o 336 o ventilador en línea HLB3, HLB6, HLB9 o HLB11 (vendidos separadamente) solamente. Otros ventiladores no pueden reemplazar a este ventiladores.
11. Utilice sólo con un conjunto autorizado de conexión con cordón.
12. Lea la etiqueta de especificaciones en el producto para mayor información y requisitos.

- MODELOS RMIP33 Y RMIP45 SISTEMA DE DISPOSITIVO - VENTILADORES INTERIORES



- MODELOS RMIP33 Y RMIP45 SISTEMA DE DISPOSITIVO - VENTILADORES EN LÍNEA Y EXTERIORES



1. SELECCIONE LA OPCIÓN VENTILADOR Y INSTALE LOS CONDUCTOS

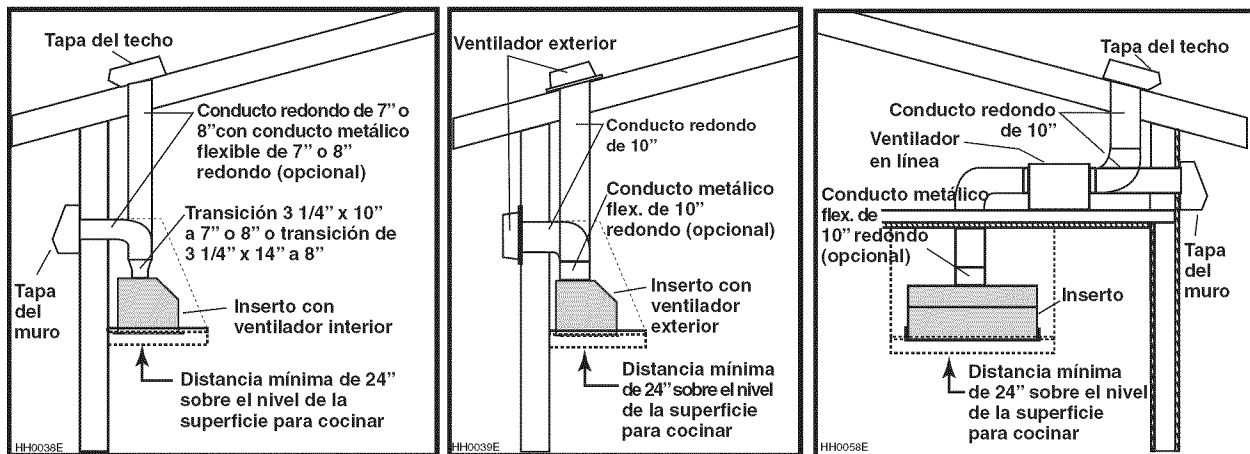
Este dispositivo funciona tanto con un ventilador exterior, con un ventilador en línea y como interior. El modelo de dispositivo RMIP33 o RMIP45 debe ser instalado únicamente con ventilador modelo P5, P8, HLB3, HLB6, HLB9, HLB11, 331H, 332H, 335 o 336 (vendidos separadamente). Otros ventiladores no pueden reemplazar a estos ventiladores.

Planifique dónde y cómo se van a colocar los conductos. Se recomienda conectar los conductos por la parte superior de la campana. Como alternativa, pueden utilizarse conductos metálicos flexibles. **Si un ventilador en línea está instalado, se refiere a las instrucciones incluidas con éste y siga las etapas 1 a 8, 13, 14, 16, 17, 19 y siguiente de este manual.**

Instale los conductos de dimensión adecuada, codo(s) y remate la pared o el techo adecuado para el tipo de ventilador que está usando. Utilice conductos circulares de 7" ó 8", con una sección pequeña (unos 4' de expandida) de conducto metálico flexible (opcional) para realizar la unión con el cambio de sección. Utilice tornillos para fijar el conducto metálico flexible al conducto rígido. Utilice cinta adhesiva al conducto para asegurarse la estanqueidad de las coyunturas.

La distancia mínima entre la campana y la encimera debe ser de 24". Asimismo, se recomienda que dicha distancia no supere las 30" para obtener la máxima capacidad de absorción de las impurezas creadas al cocinar.

Si se utilizan distancias superiores a 30", el instalador y el usuario son responsables de los posibles problemas.



INSTALACIÓN ESTÁNDAR CON VENTILADOR INTERIOR MODELO P5 (SIMPLE) Ó P8 (DOBLE)

INSTAL. ESTÁNDAR CON VENTILADOR EXT. MODELO 331H, 332H, 335 Ó 336

INSTALACIÓN ESTÁNDAR CON VENTILADOR EN LÍNEA MODELO HLB3, HLB6, HLB9 Ó HLB11

2. PREPARE LA INSTALACIÓN

Asegúrese que los artículos siguientes están incluidos:

- Dispositivo
- Accesorios:
 - Filtros (3 con modelo RMIP33, 4 con modelo RMIP45)
 - Bolsa de piezas incluye:
 - (4) tuercas dentellado, (1) alambre eléctrico, (8) tornillos n.º 8 x 3/4" estándar (2) conector de cable, (2) tornillos n.º 6 x 1/2" estándar, (8) tornillos n.º 8 x 3/8". Deshacerse de artículo sin utilizar.

Piezas separadas:

- Ventilador interno modelo P5 incluye ventilador interno, placa del ventilador, desviador y adaptador 3/4" x 10"
- Ventilador interno modelo P8 incluye ventilador interno, placa del ventilador, desviador y adaptador 3/4" x 10" y adaptador 3/4" x 14"
- Ventilador en línea modelo HLB3, HLB6, HLB9 o HLB11 (todos con la transición)
- Bandeja de conexión 332KR requerida para todos los ventiladores en línea o exteriores
- Ventilador exterior 331H, 332H, 335 o 336
- Bombillas halógenas (120 V, 50 W, PAR 20)
- Revestimiento protector de la campana modelo RML3336S, RML3342S, RML4548S, RML4554S ó RML4560S (opcional)
- Placa antisalpicaduras serie RMP (opcional)
- Control remoto RMIPWC (opcional)
- Transiciones, conductos (flexibles y rígido), codos, compuertas de tiro, remates de pared o de techo. Consultar las páginas 35 y 36 para la lista completa de los accesorios de ventilación y los números de modelo.

NOTA : Durante la instalación, proteger la encimera y/o la superficie para cocinar.

3. INSTALE LA PLACA ANTISALPICADURAS (OPCIONAL)

Se recomienda instalar la placa antisalpicaduras antes de introducir la campana extractora. La campana tapaná los tornillos de montaje superiores de las placas antisalpicaduras. Para instalar la placa de antisalpicaduras, asegúrese de tener 18" entre debajo de la campana y el panel de control de la cocina o encima de la cocina. (Vea las instrucciones incluidas con la placa antisalpicaduras.)

4. PREPARACIÓN DE LA CAMPANA EXTRACTORA

⚠ ADVERTENCIA

Cuando instale una campana extractora, cumpla todos los códigos y normas de instalación aplicables.

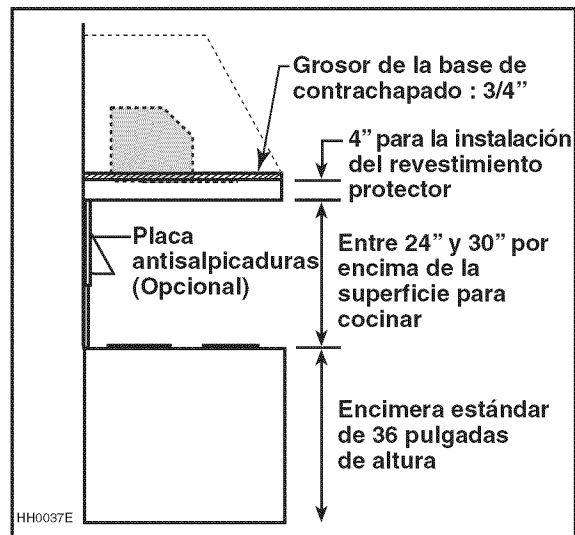
El armazón de la campana extractora debe tener un tamaño adaptado a la forma y al peso total del dispositivo. Consulte la tabla siguiente para saber el peso total del dispositivo, en función del tipo de ventilador elegido.

DISPOSITIVO	CON VENT. INT. P5	CON VENT. INT. P8	CON VENT. EN LÍNEA O EXTERIOR (SÓLO BANDEJA DE CONEXIÓN)
RMIP33	41 LIBRAS	49 LIBRAS	27 LIBRAS
RMIP45	49 LIBRAS	57 LIBRAS	35 LIBRAS

Empiece por la base de la campana extractora, ya que su posición determinará la altura del dispositivo. Aconsejamos que la base de la campana extractora sea un contrachapado de 3/4 de pulgada de grosor. Si se va a instalar un revestimiento protector opcional para la campana extractora, se recomienda el borde de la campana extractora debe tener un grosor de 3/4 de pulgada, si se utilizan armarios de una profundidad estándar. Si no se va a instalar el revestimiento protector opcional para la campana extractora, el instalador puede decidir el grosor del borde de la campana extractora.

Lleve el cable de alimentación hasta la ubicación de la instalación. Saque un trozo de cable eléctrico de 4 pies de largo por debajo de la campana.

Si va a instalar el control remoto opcional RMIPWC, lleve el cable de alimentación de debajo de la campana a la ubicación en la pared del control remoto. Saque un trozo de cable eléctrico de 6 pulgadas desde la ubicación en la pared del control remoto. Consulte las instrucciones de instalación del control remoto.

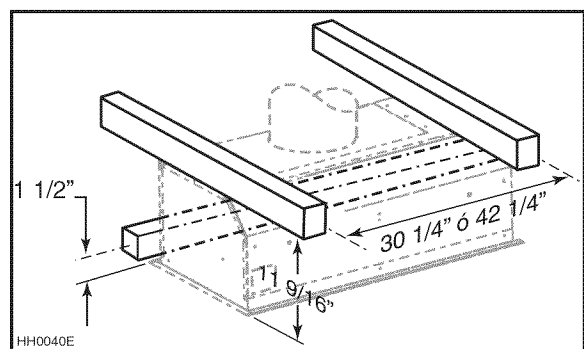


5. ARMAZÓN INTERNO RECOMENDADO PARA LA CAMPANA EXTRACTORA

Localice los ojos por los tornillos de montaje de la parte superior a $1\frac{1}{16}$ " de la base del dispositivo. Los puntos centrales de dichos salientes deben estar separados $30\frac{1}{4}$ " en el caso del modelo de dispositivo RMIP33 y $42\frac{1}{4}$ " en el caso del modelo de dispositivo RMIP45.

Los ojos por los tornillos de montaje del del saliente posterior debe estar a $1\frac{1}{2}$ " de la base de la campana extractora. Véase la ilustración de la derecha.

Una vez colocados la base de la campana extractora y el armazón, concluya el montaje.



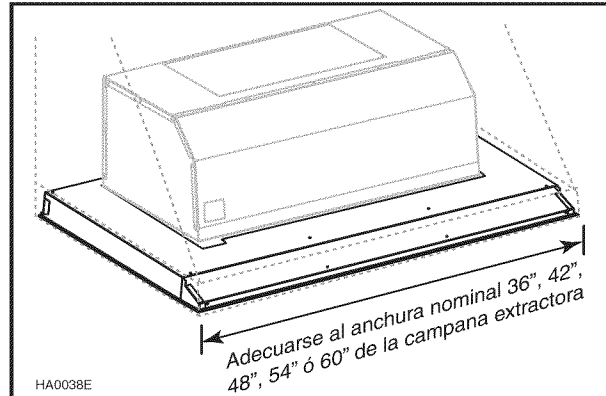
6. INSTALACIÓN DEL REVESTIMIENTO PROTECTOR DE LA CAMPANA EXTRACTORA (OPCIONAL)

Los revestimientos protectores están especialmente diseñados para proteger la base exterior de la campana extractora. Para hacer el pedido, consulte la tabla siguiente para saber el número de pieza del protector adecuado para su dispositivo y para la profundidad de la campana extractora. Visitar www.broan.com o contactar con el servicio técnico (el número de teléfono es en el texto de la garantía, en página 46) afin de conocer sus características específicas, incluyendo las profundidades de todos los modelos. Para instalarlo, consulte las instrucciones que acompañan al protector de la campana extractora.

El protector debe instalarse antes de colocar el dispositivo.

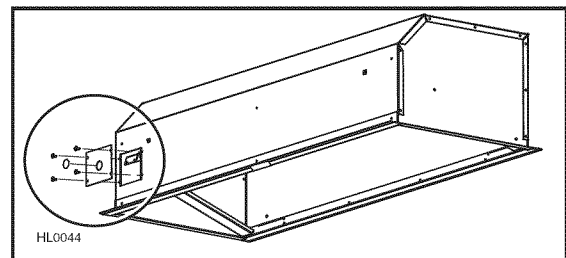
NOTA : Es posible que por algunos modelos de revestimiento, la parte lejos invade la borde lejos del dispositivo. Llegado el caso, retire la parte lejos del revestimiento, instalar el dispositivo y reinstalar la parte lejos del revestimiento.

MODELO DE REVESTIMIENTO	MODELO DE DISPOSITIVO	ANCHURA NOMINAL DE LA CAMPANA EXTRACTORA
L3336S	RMIP33	36"
L3342S	RMIP33	42"
L4548S	RMIP45	48"
L4554S	RMIP45	54"
L4560S	RMIP45	60"



7. INSTALACIÓN DEL CONTROL REMOTO RMIPWC (OPCIONAL)

La conexión eléctrica del control remoto se encuentra delante del dispositivo. Realice esta conexión antes de instalar el dispositivo. Para obtener los detalles de instalación, consulte las instrucciones de instalación incluidas en el control remoto RMIPWC.

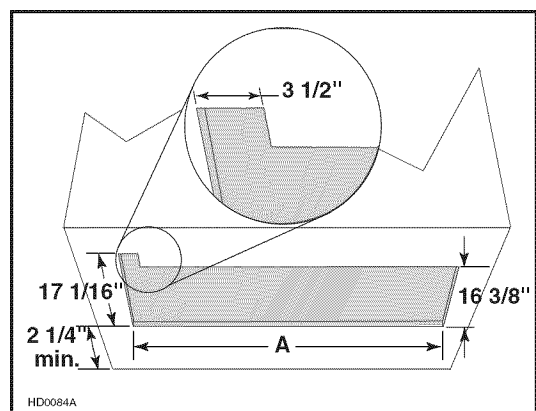


8. CORTE EL ORIFICIO EN LA BASE DE LA CAMPANA EXTRACTORA

Si no está hecho, corte un orificio en la base de la campana, utilizando las dimensiones que aparecen a continuación.

MODELO DE DISPOSITIVO	A
RMIP33	32½"
RMIP45	44½"

- NOTAS :
1. La hendidura que hay en el dispositivo sólo debe cortarse si se va a instalar el control remoto opcional RMIPWC.
 2. La distancia mínima recomendada entre la parte trasera de la campana y la parte trasera del borde del orificio es de 2¼".



9. INSTALE EL VENTILADOR (EXTERIOR Ó INTERIOR)

VENTILADOR INTERIOR : Siga todas las etapas subsecuentes de este manual.

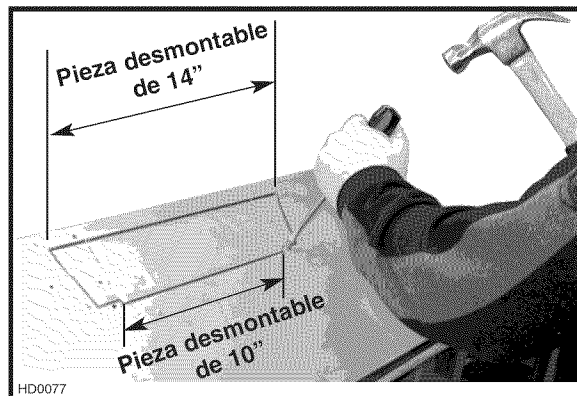
VENTILADOR EXTERIOR : Se refiere a las instrucciones incluidas con el ventilador exterior. Siga las etapas 13, 14, 16, 17, 19 y siguiente de este manual.

10. ROMPA LA ABERTURA (VENTILADOR INTERIOR)

En la placa del ventilador, rompa la abertura de salida de aire. Ver la foto de abajo.

PRECAUCIÓN

Cuando utilice el ventilador P5, retire la pieza desmontable de 10" de anchura (pieza más pequeña). Si utiliza un ventilador P8, retire la pieza desmontable correspondiente al conducto instalado (adaptador/rejilla de 10" ó 14").



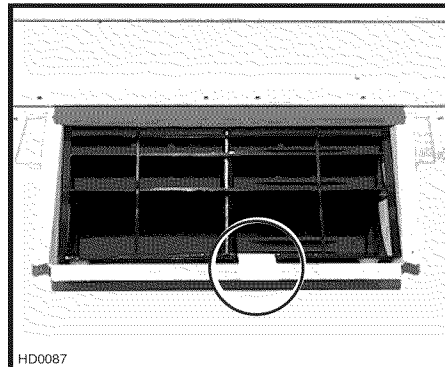
Retire la apertura de la pieza desmontable de la bandeja de conexión

11. INSTALE EL DESVIADOR (VENTILADOR INTERIOR)

Instale el desviador tal como ilustrado.

NOTA : Para que el desviador no se salga de la bandeja de conexión, ponga un poco de cinta en la base del desviador una vez introducido en la apertura de la bandeja de conexión (viene con los ventiladores P5 y P8).

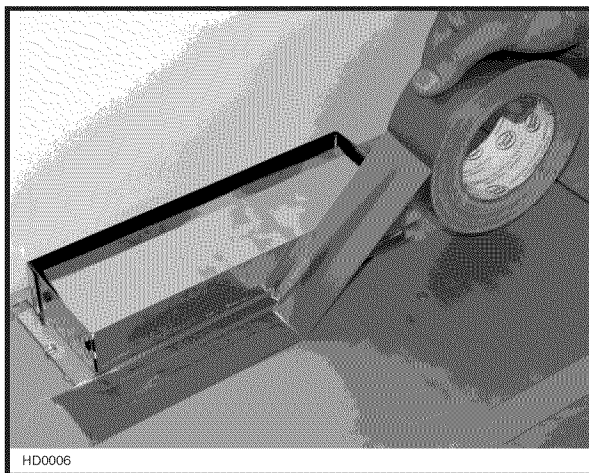
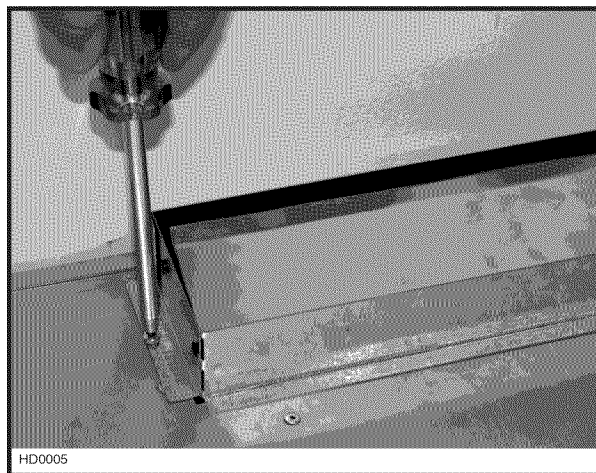
Cuando está correctamente instalado, el desviador sobresale aproximadamente 1/8" de la bandeja de conexión.



12. INSTALE EL ADAPTADOR (VENTILADOR INTERIOR)

Utilizando los dos (2) tornillos n.º 6 x 1/2", instale el adaptador encima de la bandeja de conexión. Retire la cinta de la solapa del adaptador. Luego selle el adaptador y la bandeja de conexión con una cinta adhesiva a conducto.

NOTA : Asegúrese que el pivote del válvula está localizado hacia el frente de la campana.



13. CONEXIÓN ELÉCTRICA (TODOS LOS VENTILADORES)

ADVERTENCIA

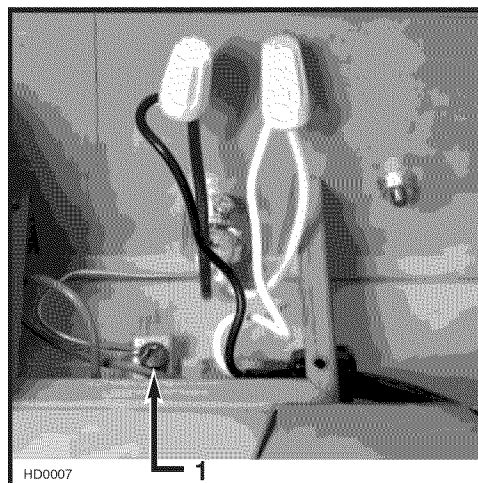
Peligro de choque eléctrico. La instalación eléctrica debe ser hecha por personal calificado de acuerdo con todos los códigos aplicables y normas. Antes de efectuar el empalme, cortar la alimentación eléctrica del interruptor y cerrar con seguridad para prevenir una alimentación accidental.

Coloque el dispositivo debajo de la campana extractora instalada. Introduzca el cable por el orificio situado en la parte superior del dispositivo.

VENTILADOR INTERIOR: Retire la pieza desmontable para el cable de alimentación en la bandeja de conexión. Saque la tapa de la caja eléctrica, inserte el alambre eléctrico. Pase el cable eléctrico en la bandeja de conexión y apriete el tornillo del alambre eléctrico en la entrada de la bandeja de conexión para mantener los cables en su posición.

Conecte los cables a la caja eléctrica utilizando los conectores de cables.

Conecte el cable NEGRO al NEGRO, el BLANCO al BLANCO y el VERDE ó el desnude al el tornillo que toma de tierra. **JAMÁS DEBE OLVIDARSE DE CONECTAR LA TOMA DE TIERRA.** Reemplace la tapa.

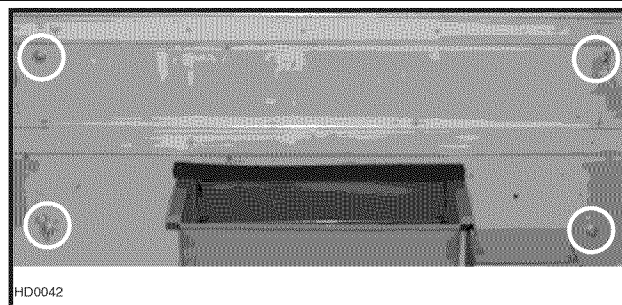


1) Tornillo que toma de tierra

VENTILADOR EN LÍNEA O EXTERIOR: Saque la tapa de la caja eléctrica de la bandeja de conexión conecte los cables (vea instrucciones incluye con el ventilador en línea o exterior).

14. INSTALE LA BANDEJA DE CONEXION (TODOS LOS VENTILADORES)

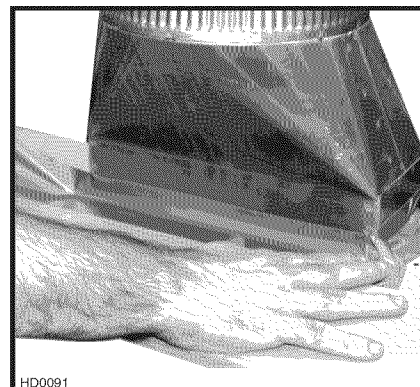
VENTILADOR INTERIOR: Instalar la bandeja de conexión (viene con ventilador P5 y P8) al interior del dispositivo, utilizando 4 tuercas dentelladas. Vea la foto derecha.



VENTILADOR EN LÍNEA O EXTERIOR: Referirse a los instrucciones incluye con la bandeja de conexión. Instalar la bandeja de conexión al interior del dispositivo utilizando 4 tuercas dentelladas.

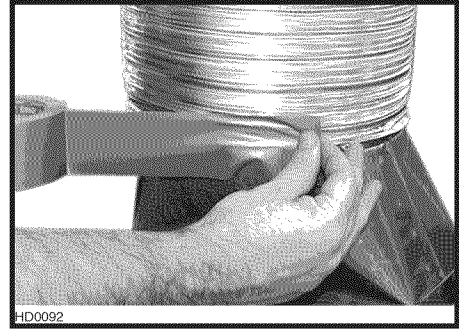
15. INSTALE LA TRANSICIÓN (VENTILADOR INTERIOR)

Coloque la transición sobre el adaptador. Selle la transición al adaptador en con cinta adhesiva a conducto.



16. CONEXIÓN DEL CONDUCTO (TODOS LOS VENTILADORES)

- A. Si existe un acceso por la parte superior de la campana, conecte el conducto y selle las juntas con cinta aislante tras la etapa 17 *Instalación del dispositivo*.
- B. Si no existe ningún acceso por la parte superior de la campana, presione con cuidado con el conducto de metal en el orificio de la base de la campana extractora. Pase el conducto por el cambio de sección (ventilador interior) o por la brida de la bandeja de conexión (ventilador exterior). Asegúrese de que la unidad del adaptador o la rejilla se introduce en el conducto. Selle la conexión con cinta aislante.



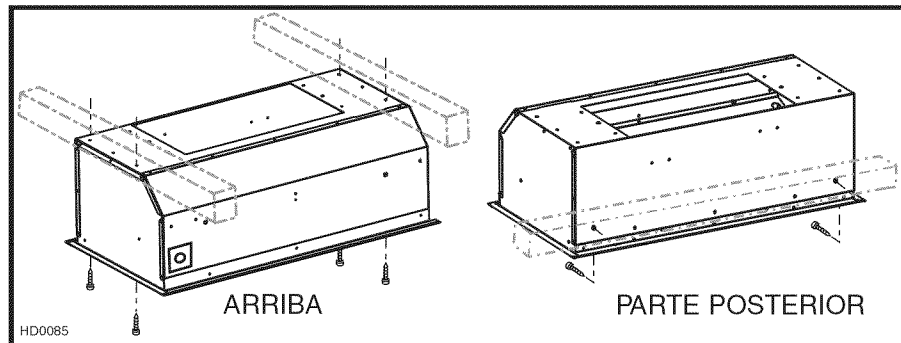
PRECAUCIÓN

Tenga cuidado de no doblar el conducto cuando instale el dispositivo (etapa 17).

17. INSTALACIÓN DEL DISPOSITIVO

Si desea instalar un control de pared opcional, consulte ahora las instrucciones de instalación. Una vez que las haya consultado, prosiga con la instalación del dispositivo.

Instale el dispositivo dentro de la campana extractora y asegúrelo al armazón mediante los tornillos de montaje de n.º 8 x 3/4" que se facilitan. Empiece colocando los 4 tornillos superiores y después coloque los 2 de la parte posterior (véase la figura de la derecha para saber dónde deben colocarse los tornillos de montaje).

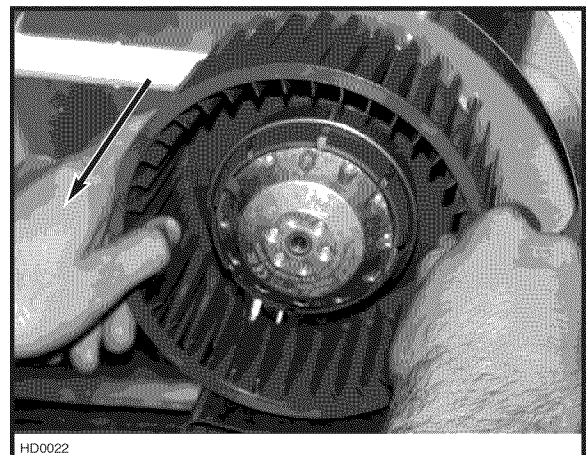
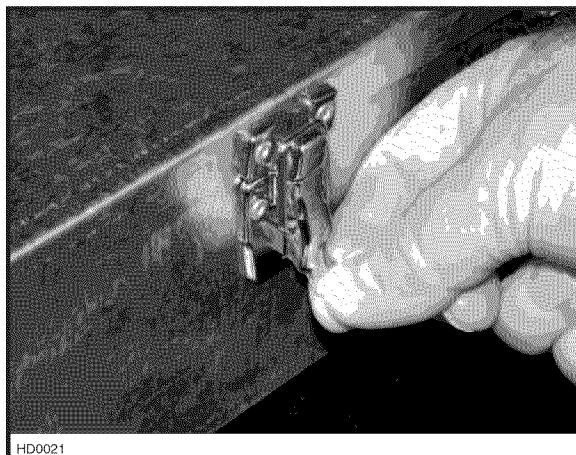


PRECAUCIÓN

Tenga cuidado de no doblar el conducto ni apretar cables eléctricos al instalar el dispositivo.

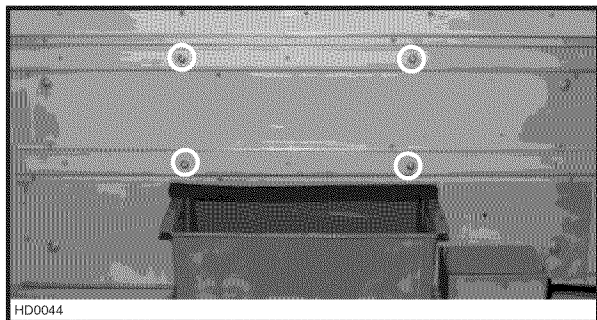
18. INSTALACIÓN DEL VENTILADOR (INTERIOR)

El ventilador debe ser instalado a la bandeja de conexión utilizando 6 tornillos n.º 8 x 3/8" para el ventilador simple y 8 tornillos n.º 8 x 3/8" para el ventilador doble. Saque la tapa del ventilador. Saque la o las rueda(s) del ventilador tirándola delicadamente (ver fotos de abajo).

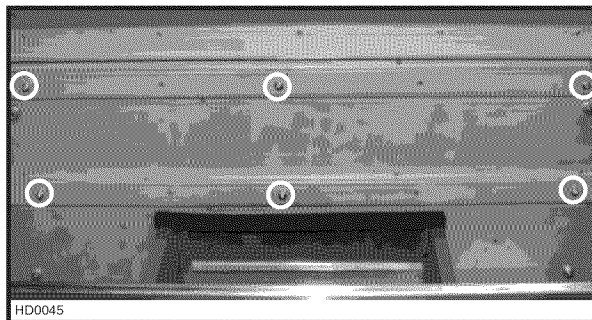


18. INSTALACIÓN DEL VENTILADOR (INTERIOR) (CONTINUACIÓN)

Instale 4 tornillos n.º 8 x 3/8" en el lugar que indica la foto de abajo (ventilador simple o doble) dejando un espacio de mas o menos 1/8". Enganche en seguida el ventilador a la bandeja de conexión (pase las cabezas de los tornillos a través de la parte grande del hoyo). En seguida resbale el ventilador en su posición (las cabezas de los tornillos a través de la parte pequeña del hoyo). Atornillar los tornillos completamente.

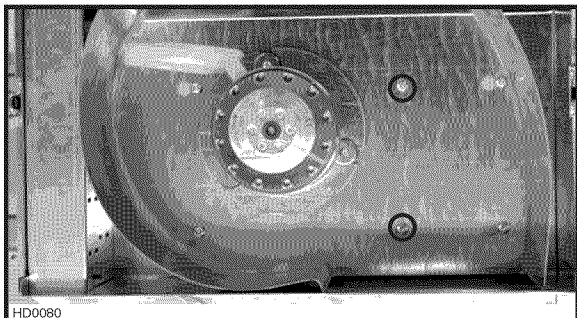


Ventilador simple (P5)

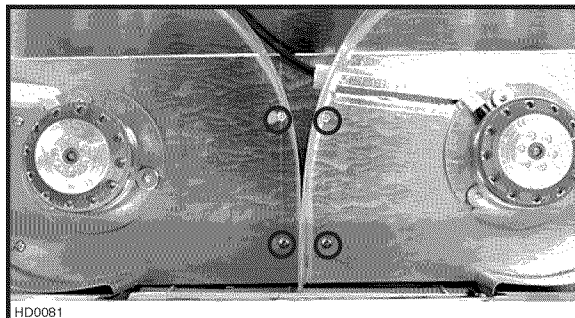


Ventilador doble (P8)

Terminar la fijación del ventilador con 2 otros tornillos n.º 8 x 3/8" por el ventilador P5 y 4 otros tornillos n.º 8 x 3/8" por el ventilador P8, que indica las fotos de abajo (ventilador simple o doble). Reinstale la o las rueda(s) del ventilador en su posición y la tapa.

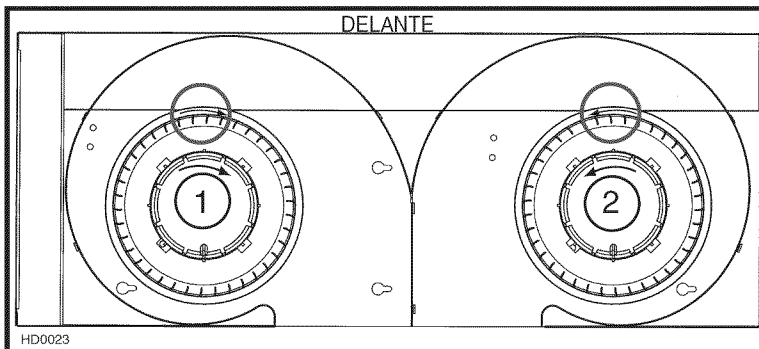


Ventilador simple (P5)



Ventilador doble (P8)

PARA EL VENTILADOR DOBLE, ASSEGURÉSE QUE LAS RUEDAS SEAN BIEN REEMPLAZADAS, LA CAMPANA NO FUNCIONARÁ NORMALMENTE SI ESTÁ AL RÉVES. Las dos ruedas del ventilador son diferentes en el caso de un ventilador doble, una debe girar en el sentido de las agujas del reloj y la otra en el sentido contrario de las agujas del reloj. Cada rueda y motor tiene una flecha y un número, usted debe juntarlos correctamente. (Ver dibujo al lado.)

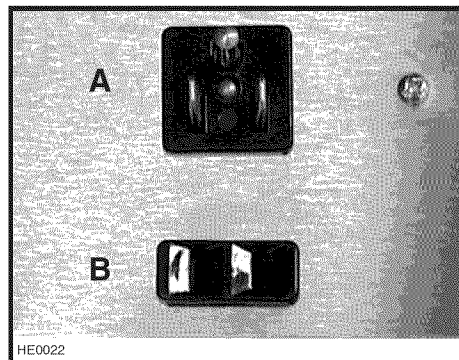


HD0023

⚠ ADVERTENCIA

Jamás conecte el cable eléctrico del ventilador con el enchufe del cable de alimentación.

Conecte el cable de la caja eléctrica (A) y el cable del ventilador (B) a los enchufes detrás del panel de control al interior del dispositivo.



HE0022

19. LUCES HALÓGENAS

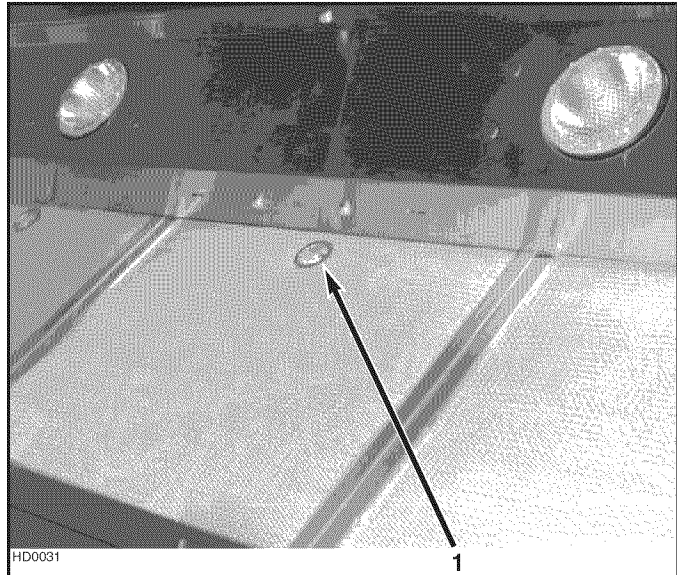
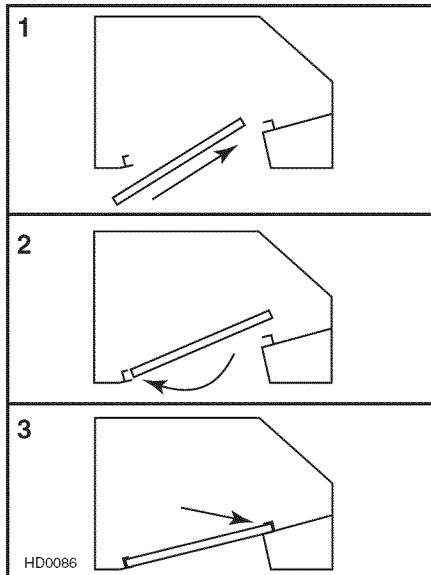
Esta campana utiliza bombillas halógenas de 50 W (120 V, 50 W, PAR 20) (vendidas por separado). Instale la bombilla girando en el sentido de las agujas del reloj.

20. INSTALACIÓN DE LOS FILTROS

Es recomendable de instalar los filtros de lado en primer lugar y de terminar con el o los filtro del centro.

1. Deslice la parte superior de los filtros en el dispositivo (al lado de la palangana).
2. Levante el extremo inferior del filtro para colocarlo en el interior de la unidad y presione para introducir el extremo inferior en el canal.
3. Cuando este tirando sobre los filtros, deslice debajo de la pieza del retenido interior.

Filtros de sustitución este disponibles en la detallista. Vea la etiqueta en el interior del dispositivo para encontrar el número de la pieza y el tamaño.

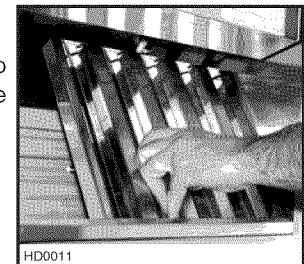


1) Palangana

Filtros deflectores

Estos filtros este disponibles como una opción. Para pedirlos, refiérase a el dibujo debajo para encontrar el número de equipo correcto para su dispositivo. Para intalardos, refiérase a la hoja de instalación que se encuentran incluida con los filtros deflectores.

EQUIPO NUMERO	MODELO DE DISPOSITIVO
RBFIP33	RMIP33
RBFIP45	RMIP45



FILTRO DEFLECTOR (TÍPICO)

21. MANTENIMIENTO

Filtros y la(s) rueda(s) del ventilador.

Los filtros, canal y la o las rueda(s) del ventilador deben ser frecuentemente limpiadas. Use agua tibia y una solución de detergente. Los filtros deflectores y la ruedas del ventilador se pueden lavar en el lavaplatos.

Empuje los filtros deflectores hacia el interior y libérelos del canal para que en seguida los retire del dispositivo.

Limpe los filtros totalmente metálicos en el lavavajillas con un detergente sin fosfato. El filtro podría descolorarse si se utiliza un detergente con fosfato o debido al tipo de agua, pero esto no afecta su funcionamiento. Este descoloramiento no está cubierto por la garantía.

Acero inoxidable: como mantener una apariencia brillante.

Debe hacerse:

- Limpiar regularmente las superficies con un trapo limpio humedecido con una mezcla de agua templada y jabón suave o detergente para la vajilla.
- Limpiar siempre en la dirección de las líneas originales de pulido del acero.
- Enjuagar siempre con agua limpia (2 o 3 veces) después de limpiar. Seque completamente.
- También puede utilizar un limpiador doméstico especial para acero inoxidable.

No debe hacerse:

- Utilizar un estropajo de acero o acero inoxidable u otro tipo de rasquetas para quitar la suciedad resistente.
- Utilizar limpiadores fuertes o abrasivos.
- Dejar que la suciedad se acumule.
- Dejar que el polvo del yeso u otros residuos de la construcción manchen la campana. Si efectúa obras de construcción o renovación, cubra la campana para que no se manche la superficie de acero inoxidable.

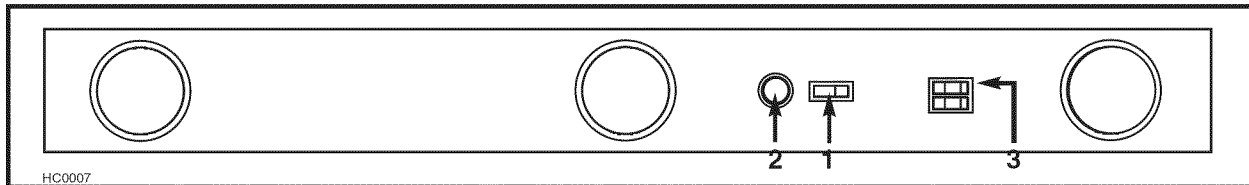
21. MANTENIMIENTO (CONTINUACIÓN)

A evitar cuando elige un detergente:

- Todos los productos de limpieza que contienen **agentes de blanqueo**; van a deteriorar el acero inoxidable.
- Todos los productos que contienen **cloruro, fluoruro, yoduro o bromuro**; estos deterioran rápidamente las superficies.
- Todos los **productos combustible** utilizados para la limpieza: **acetona, alcohol, éter, bencol**, etc., son extremadamente explosivos y no deben ser utilizados cerca de una cocina.

22. FUNCIONAMIENTO

Siempre hacer funcionar el ventilador antes de comenzar a cocinar a fin de establecer una circulación de aire en la cocina. Deje igualmente funcionar el ventilador algunos minutos después de que pare de cocinar a fin de limpiar el aire. Esto ayuda a conservar la cocina mas limpia y un aire puro.



1) Encender/apagar ventilador

2) Control de velocidad del ventilador

3) Interruptores de las lamparas halógenas

VENTILADOR

El ventilador funciona con la ayuda de dos controles ó el control remoto RMIPWC (opcional).

Utilice el interruptor encender/apagar tiene una luz roja para encender y apagar el ventilador. Cuando está en tensión, el ventilador funciona a la velocidad utilizada la última vez.

Utilice el control de velocidad del ventilador girando en el sentido de las agujas del reloj para disminuir la velocidad u en el sentido contrario de las agujas del reloj para aumentar la velocidad.

LÁMPARAS HALÓGENAS

Los dos interruptores de encender/apagar controlan las luces halógenas.

El interruptor a báscula antes controla la luz del centro (para el dispositivo de 45"). El interruptor detrás controla la luces de cada lado. (Cada interruptor controla la luz para el dispositivo de 33".)

Encienda una, dos o tres luces según su necesidad. Utilice bombillas halógenas PAR 20, 50 W (vendidas por separado).

HEAT SENTRY™

Su dispositivo esta equipado con Heat Sentry. Este termostato tiene un mecanismo que se encenderá ó acelerará el ventilador si se detecta un calor excesivo encima de la cocina.

1.-Si el ventilador esta apagado - el se prenderá a una velocidad máxima.

2.-Si el ventilador esta encendido a una velocidad mínima - el se prenderá a una velocidad máxima.

⚠ ADVERTENCIA

HEAT SENTRY puede comenzar a funcionar al igual si la campana esta parada. En este caso, es imposible parar el ventilador con los interruptores. Si usted para la campana, halago a partir del panel eléctrico principal.

Cuando la temperatura disminuye a un nivel normal, el ventilador vuelve a la función de origen.

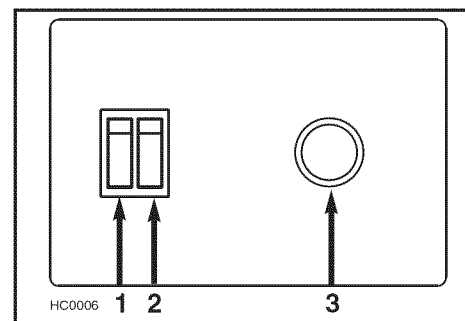
Compruebe todos los interruptores del dispositivo. Si ha instalado un control remoto RMIPWC, compruebe todos sus interruptores.

Finalice la instalación de la campana extractora.

CONTROL REMOTO RMIPWC (OPCIONAL)

Para manejar el dispositivo también puede utilizarse un control remoto opcional. Para conocer los detalles de la instalación, consulte las instrucciones de instalación que viene con el control remoto RMIPWC

NOTA: Cuando el control remoto RMIPWC está conectado al dispositivo, los interruptores de control del dispositivo no funcionan.



1) Luces halógenas 3)Control de velocidad del ventilador
2) Encender/apagar ventilador

GARANTÍA

GARANTÍA LIMITADA DE UN AÑO DE LOS PRODUCTOS BROAN ELITE

Broan-NuTone LLC (Broan NuTone) garantiza al consumidor comprador original de sus productos que dichos productos carecen de defectos en los materiales o de mano de obra por un período de un año a partir de la fecha de compra original. NO EXISTEN OTRAS GARANTÍAS, EXPRESAS O IMPLÍCITAS, INCLUYENDO — AUNQUE SIN LIMITARSE A ELLAS — LAS GARANTÍAS IMPLÍCITAS, DE APTITUD O IDONEIDAD PARA UN PROPÓSITO PARTICULAR.

Durante el período de un año, y a su propio criterio, Broan-NuTone reparará o reemplazará sin costo todo producto o pieza que se considere defectuosa en condiciones normales de servicio y uso.

ESTA GARANTÍA NO SE APLICA A LOS CEBADORES, TUBOS, BOMBILLAS HALÓGENAS Y INCANDESCENTES, A LOS FUSIBLES, FILTROS, TUBOS, CAPUCHONES PARA TEJADOS, CAPUCHONES MURALES Y OTROS ACCESORIOS DE CANALIZACIÓN. Esta garantía no cubre: a) el mantenimiento y servicios normales ni b) ningún producto o pieza mal utilizados o que hayan sido objeto de mal uso, negligencia, accidente, mantenimiento o reparación inadecuados (por compañías distintas a Broan-NuTone), instalación defectuosa, o instalación no conforme a las instrucciones de instalación recomendadas.

La duración de cualquier garantía implícita se limita a un periodo de un año, como se indica en la garantía expresa. Algunos estados o provincias no permiten limitaciones en cuanto al tiempo de expiración de una garantía implícita, por lo que la limitación antes mencionada puede que no se aplique en su caso.

LA OBLIGACIÓN DE BROAN-NUTONE DE REPARAR O REEMPLAZAR, CON ARREGLO A SU PROPIO CRITERIO, SERÁ EL ÚNICO RECURSO LEGAL DEL COMPRADOR CONFORME A ESTA GARANTÍA. BROAN-NUTONE NO SE HACE RESPONSABLE DE LOS DAÑOS ADICIONALES, CONSECUENTES O ESPECIALES QUE SURJAN O ESTÉN RELACIONADOS CON EL USO O EL RENDIMIENTO DEL PRODUCTO. Algunos estados o provincias no permiten la exclusión o limitación de daños adicionales o consecuentes, por lo que la limitación o exclusión antes mencionada puede que no se aplique en su caso.

Esta garantía le proporciona derechos legales específicos, aunque usted también puede tener otros derechos, que varían de un estado a otro, o de una provincia a otra. Esta garantía reemplaza todas las garantías anteriores.

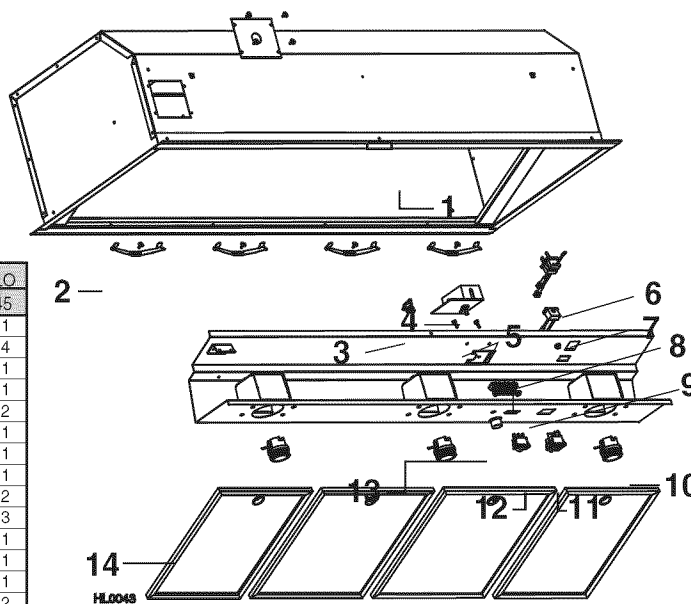
Para tener derecho al servicio de garantía, debe usted: a) Informar a Broan-NuTone, a una de las direcciones o teléfonos que aparecen abajo; b) Dar el número de modelo y el número de identificación de la pieza y (c) Describir el tipo de defecto en el producto o pieza. En el momento de solicitar un servicio cubierto por la garantía, deberá presentar una prueba de la fecha de compra original.

En Estados Unidos - Broan-NuTone LLC; 926 W. State Street, Hartford, Wisconsin 53027 www.broan.com 800-558-1711

En Canadá - Broan-NuTone Canada; 1140 Tristar Drive, Mississauga, ON L5T 1H9 www.broan.ca 877-896-1119

REPUESTOS

MODELOS RMIP33 Y RMIP45

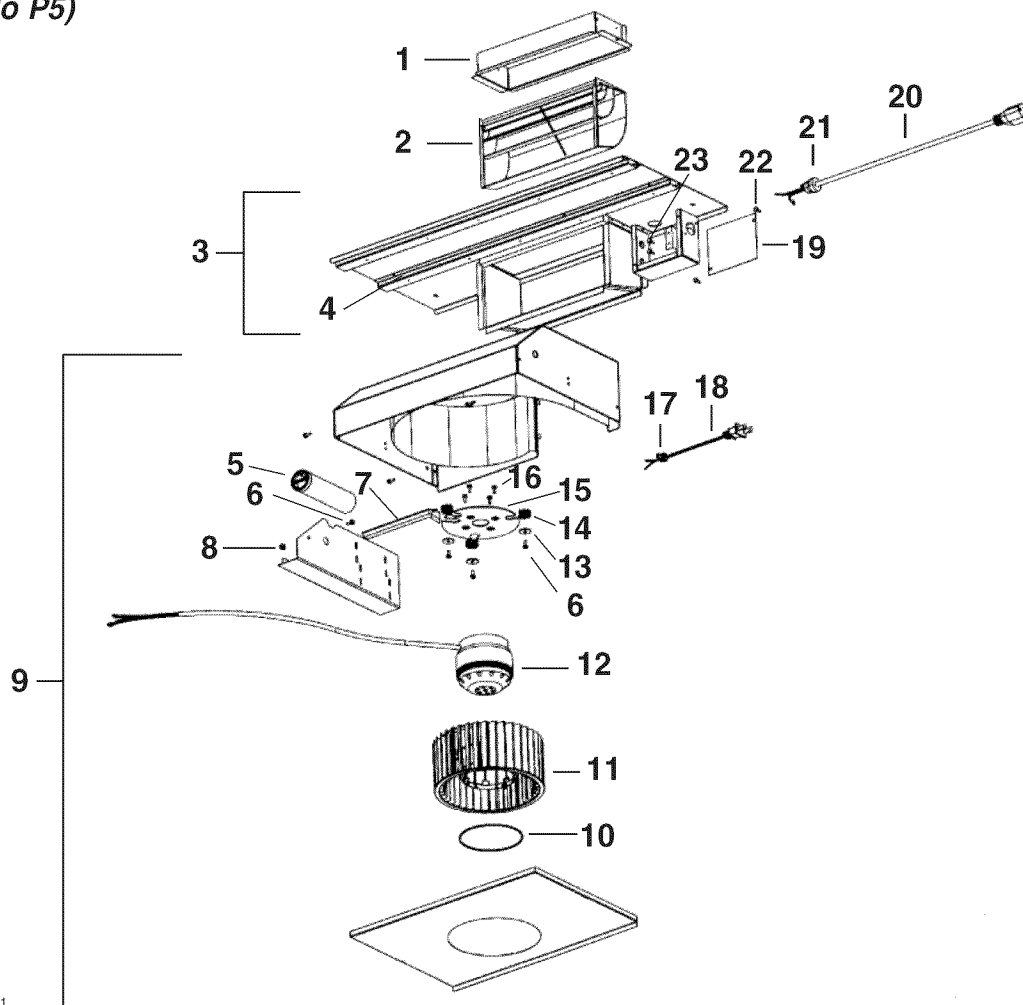


REF. N.º	N.º DE PIEZA	DESCRIPCIÓN	MODELO	
			33	45
1	SV03493	LOGOTIPO RANGEMASTER	1	1
2	SV03686	GRAPA FILTROS	3	4
3	SV03435	TERMOSTATO	1	1
4	SV03501	CONTROL DE VELOCIDAD	1	1
5	SV02512	TORNILLO N.º 8-32 x 1/2". QUADREX	2	2
6	SV02773	CONNECTADOR MACHO	1	1
7	SV02772	CONNECTADOR HEMBRA	1	1
8	SV03505	TERMINAL DE CONEXIÓN	1	1
9	SV00673	TUERCA DENTELLADA N.º 8-32	2	2
10	SV02264	CASQUETE	2	3
11	SV03502	INT. DOBLE SPST (LAMPARA HAL.)	1	1
12	SV03503	INT. SIMPLE UPST ILLUMI. (VENTILADOR)	1	1
13	SV03504	BOTÓN CONTROL DE VELOCIDAD	1	1
14	SV05865	FILTRO MICROMESH 9,25" x 12,5"	3	2
	SV05866	FILTRO MICROMESH 11,13" x 12,5"	-	2
	SV02544	BOMBILLA HALÓGENA PAR 20 50 W	3	4
	SV05861	MANUAL DE INSTALACION	1	1
	SV03888	BOLSA DE INSTALACION ([4] tuercas a brida n.º 10-32, [1] alambre eléctrico LP16-AP, [2] conector de cable n.º 74B, [8] tornillos n.º 8 x 3/4", [8] tornillos n.º 8 x 3/8", [2] tornillos n.º 6 x 1/2")	1	1

REPUESTOS

PLACA Y VENTILADOR SIMPLE

(Modelo P5)



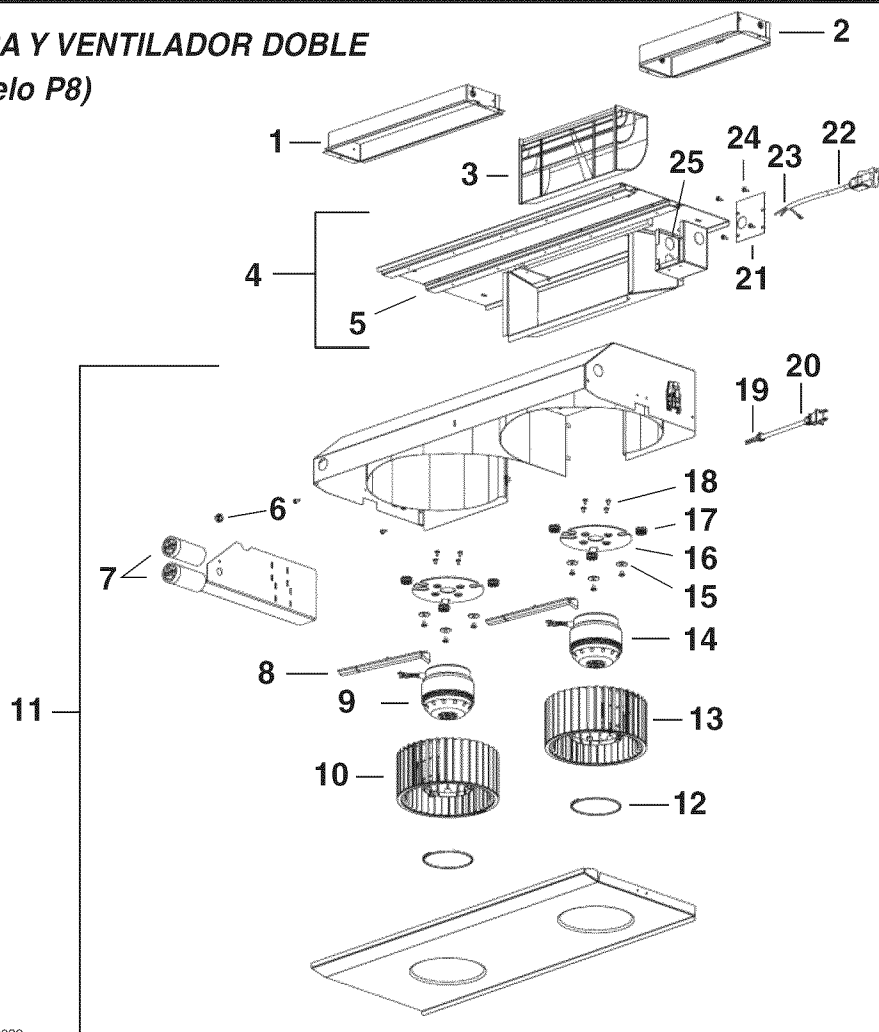
HL0021

N.º REF.	N.º PIEZA	DESCRIPCIÓN	CTD
1	SV13296	ADAPTADOR & COMPUERTA 3¼" x 10"	1
2	SV03500	DEFLECTOR DE AIRE	1
3	SV12997	MONTAJE DE PLACA DE VENTILADOR SIMPLE	1
4	SV03577	ESPUMA 1/2" x 1/2" x 12"	1
5	SV02160	CONDENSADOR 15 µF	1
6	SV01869	TORNILLO MECÁNICO N.º 6-32 x 1/4"	4
7	SV01857	CUBRE-CABLE	1
8	SV01582	TUERCA DENTELLADA N.º 6-32	1
9	SV14973	MONTAJE DE VENTILADOR SIMPLE	1
10	SV01810	ANILLO RUEDA	2
11	SV03400	RUEDA CAMPANA 7.094" x 3.375" CW	1
12	SV01766	MOTOR 165 W CW	1
13	SV00871	ARANDELA 3/16" DI x 3/4" DE	3
14	SV02001	OJETE MOTOR G-431-1	3
15	SV01831	ABRAZADERA 8"	2
16	SV11705	SOPORTE MOTOR	1
17	SV11614	CABLE N.º 18 TEW MARRÓN x 10"	1
18	SV01927	TORNILLO METRICO M4 x 6 MM (TIPO PAN) QDRX	4
19	SV03495	APAGO DE TRACCIÓN CABLE VENTILADOR	1
20	SV03494	CABLE ALIMENTACIÓN VENTILADOR 36"	1
21	SV13230	PUERTA CONEXIÓN ELÉCTRICA	1
22	SV03496	CABLE ALIMENTACIÓN 120 VOLTIOS	1
23	SV00660	APAGO DE TRACCIÓN CABLE ALIMENTACIÓN	1
	SV05520	TORNILLO N.º 8 x 3/8", T/B. CABEZA N.º 8	2
	SV00613	TORNILLO N.º 10-32 x 3/8", TF, VERDE	2

REPUESTOS

PLACA Y VENTILADOR DOBLE

(Modelo P8)



HL0022

N.º REF.	N.º PIEZA	DESCRIPCIÓN	CTD
1	SV14971	ADAPTADOR & COMPUERTA 3¼" x 14"	1
2	SV13296	ADAPTADOR & COMPUERTA 3¼" x 10"	1
3	SV03500	DEFLEKTOR DE AIRE	1
4	SV14975	MONTAJE DE PLACA DE VENTILADOR DOBLE	1
5	SV03577	ESPUMA 1/2" x 1/2" x 12"	1
6	SV01582	TUERCA DENTELLADA N.º 6-32	1
7	SV02160	CONDENSADOR 15 µF	2
8	SV01857	CUBRE-CABLE	2
9	SV01766	MOTOR 165 W CW	1
10	SV03400	RUEDA CAMPANA 7.094" x 3.375" CW	1
11	SV14974	MONTAJE DE VENTILADOR DOBLE	1
12	SV01810	ANILLO RUEDA	2
13	SV03399	RUEDA CAMPANA 7.094" x 3.375" CCW	1
14	SV03457	MOTOR 165 W CCW	1
15	SV00871	ARANDELA 3/16" DI X 3/4" DE	6
16	SV01831	ABRAZADERA 8"	4
16	SV11705	SOPORTE MOTOR	2
16	SV11614	CABLE N.º 18 TEW MARRÓN x 10"	2
17	SV02001	OJETE MOTOR G-431-1	6
18	SV01927	TORNILLO MÉTRICO M4 x 6 MM (TIPO PAN) QDRX	8
19	SV03495	APAGO DE TRACCIÓN CABLE VENTILADOR	1
20	SV03494	CABLE ALIMENTACIÓN VENTILADOR 36"	1
21	SV14960	PUERTA CONEXIÓN ELÉCTRICA	1
22	SV00660	APAGO DE TRACCIÓN CABLE ALIMENTACIÓN	1
23	SV03496	CABLE ALIMENTACIÓN 120 VOLTIOS	1
24	SV00606	TORNILLO N.º 8 x 3/8", T/B, CABEZA N.º 8	4
25	SV00613	TORNILLO N.º 10-32 x 3/8, TF, VERDE	2

