



WINE CELLAR OVERLAY MODEL Use & Care Guide

For questions about features, operation/performance, parts, accessories, or service, call: **1-800-422-1230** or visit our website at...

www.kitchenaid.com

In Canada, call: **1-800-807-6777**, or visit our website at...

www.KitchenAid.ca

BODEGA MODELO RECUBIERTO Manual de uso y cuidado

Si tiene preguntas respecto a las características, funcionamiento, rendimiento, partes, accesorios o servicio técnico, llame al: **1-800-422-1230** o visite nuestro sitio de internet en...

www.kitchenaid.com

En Canadá, llame al: **1-800-807-6777**, o visite nuestro sitio de internet en...

www.KitchenAid.ca

CAVE À VIN MODÈLE À PANNEAU DÉCORATIF Guide d'utilisation et d'entretien

Au Canada, pour assistance, installation ou service, composez le **1-800-807-6777** ou visitez notre site web à...

www.KitchenAid.ca

Table of Contents/Índice/Table des matières2

TABLE OF CONTENTS

WINE CELLAR SAFETY	3	Wine Racks.....	10
INSTALLATION REQUIREMENTS	4	Stocking the Wine Cellar	11
Tools and Parts	4	WINE CELLAR CARE	11
Location Requirements	4	Base Grille	11
Custom Overlay Frame	5	Cleaning.....	11
Electrical Requirements	6	Vacation and Moving Care.....	12
INSTALLATION INSTRUCTIONS	6	TROUBLESHOOTING	12
Unpack the Wine Cellar	6	ASSISTANCE OR SERVICE	13
Install Custom Overlay Frame.....	6	In the U.S.A.	13
Door Closing.....	8	In Canada	13
WINE CELLAR USE	8	Accessories	13
Normal Sounds	8	WARRANTY	14
Using the Controls	9		

ÍNDICE

SEGURIDAD DE LA BODEGA	15	Portabotellas	23
REQUISITOS DE INSTALACIÓN	16	Cómo almacenar en la bodega.....	23
Herramientas y piezas.....	16	CUIDADO DE LA BODEGA	24
Requisitos de ubicación.....	16	Rejilla de la base.....	24
Marco recubierto a la medida.....	17	Limpieza	24
Requisitos eléctricos	18	Cuidado durante las vacaciones y mudanzas.....	24
INSTRUCCIONES DE INSTALACIÓN	18	SOLUCIÓN DE PROBLEMAS	25
Desempaquete de la bodega.....	18	AYUDA O SERVICIO TÉCNICO	26
Cómo instalar el marco recubierto a la medida	18	En los EE.UU.	26
Cierre de la puerta.....	20	En Canadá	26
USO DE LA BODEGA	21	Accesorios	26
Sonidos normales	21	GARANTÍA	27
Uso de los controles	21		

TABLE DES MATIÈRES

SÉCURITÉ DE LA CAVE À VIN	29	Casiers à vin	37
EXIGENCES D'INSTALLATION	30	Stockage dans la cave à vin	38
Outils	30	ENTRETIEN DE LA CAVE À VIN	38
Exigences d'emplacement.....	30	Grille de la base.....	38
Cadre décoratif personnalisé.....	31	Nettoyage	38
Spécifications électriques	32	Précautions à prendre pour les vacances et avant un déménagement	39
INSTRUCTIONS D'INSTALLATION	32	DÉPANNAGE	40
Déballage de la cave à vin	32	ASSISTANCE OU SERVICE	41
Installation du cadre décoratif personnalisé.....	33	Aux États-Unis.....	41
Fermeture de la porte.....	34	Au Canada.....	41
UTILISATION DE LA CAVE À VIN	35	Accessoires	41
Sons normaux	35	GARANTIE	42
Utilisation des commandes.....	35		

WINE CELLAR SAFETY

Your safety and the safety of others are very important.

We have provided many important safety messages in this manual and on your appliance. Always read and obey all safety messages.



This is the safety alert symbol.

This symbol alerts you to potential hazards that can kill or hurt you and others.

All safety messages will follow the safety alert symbol and either the word “DANGER” or “WARNING.” These words mean:

⚠ DANGER

You can be killed or seriously injured if you don't immediately follow instructions.

⚠ WARNING

You can be killed or seriously injured if you don't follow instructions.

All safety messages will tell you what the potential hazard is, tell you how to reduce the chance of injury, and tell you what can happen if the instructions are not followed.

IMPORTANT SAFETY INSTRUCTIONS

WARNING: To reduce the risk of fire, electric shock, or injury when using your wine cellar, follow these basic precautions:

- Plug into a grounded 3 prong outlet.
- Do not remove ground prong.
- Do not use an adapter.
- Do not use an extension cord.
- Disconnect power before servicing.
- Replace all parts and panels before operating.
- Remove doors from your old wine cellar.
- Use nonflammable cleaner.
- Keep flammable materials and vapors, such as gasoline, away from wine cellar.
- Use two or more people to move and install wine cellar.

SAVE THESE INSTRUCTIONS

State of California Proposition 65 Warnings:

WARNING: This product contains one or more chemicals known to the State of California to cause cancer.

WARNING: This product contains one or more chemicals known to the State of California to cause birth defects or other reproductive harm.

Proper Disposal of Your Old Wine Cellar

⚠ WARNING

Suffocation Hazard

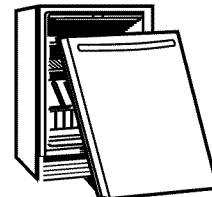
Remove door from your old wine cellar.

Failure to do so can result in death or brain damage.

IMPORTANT: Child entrapment and suffocation are not problems of the past. Junked or abandoned wine cellars are still dangerous – even if they will sit for “just a few days.” If you are getting rid of your old wine cellar, please follow these instructions to help prevent accidents.

Before You Throw Away Your Old Refrigerator or Freezer:

- Take off the door.
- Leave the shelves in place so that children may not easily climb inside.



Important information to know about disposal of refrigerants:

Dispose of refrigerator in accordance with Federal and Local regulations. Refrigerants must be evacuated by a licensed, EPA certified refrigerant technician in accordance with established procedures.

INSTALLATION REQUIREMENTS

Tools and Parts

Tools Needed

Gather the required tools and parts before starting installation. Read and follow the instructions provided with any tools listed here.

- Cordless drill
- $\frac{1}{16}$ " and $\frac{3}{8}$ " brad point doweling drill bit
- Phillips screwdriver
- Rotary tool
- Scissors
- C-clamp
- Masking tape
- Tape measure
- Petroleum jelly

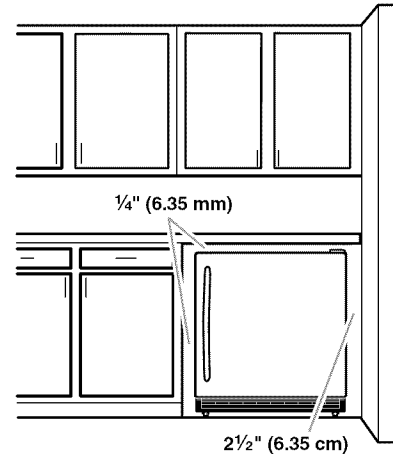
Parts Needed

- Custom Overlay Frame—See “Overlay Frame—Rear View.”

Parts Supplied

- Flat-head screws (TRUSS M4x34 Tapping) (8)

NOTE: It is recommended that you do not install the wine cellar near an oven, radiator, or other heat source. Do not install in a location where the temperature will fall below 55°F (13°C). For best performance, do not install the wine cellar behind a cabinet door or block the base grille.



Location Requirements

⚠ WARNING

Explosion Hazard

Keep flammable materials and vapors, such as gasoline, away from wine cellar.

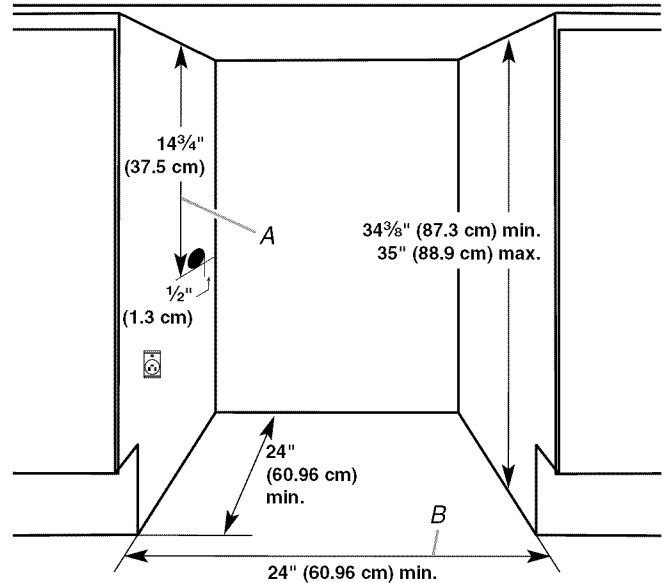
Failure to do so can result in death, explosion, or fire.

To ensure proper ventilation for your wine cellar, allow for a $\frac{1}{4}$ " (6.35 mm) space on each side and at the top. When installing your wine cellar next to a fixed wall, leave $2\frac{1}{2}$ " (6.35 cm) minimum clearance on the hinge side to allow for the door to swing open.

Opening Dimensions

- Height dimensions are shown with the leveling legs extended to the minimum height.

NOTE: When leveling legs are fully extended, add $\frac{5}{8}$ " (15 mm) to the height dimensions.
- If the floor of the opening is not level with the kitchen floor, shim the opening to make it level with the kitchen floor.



Critical Dimensions:

- A. $14\frac{3}{4}$ " (37.5 cm) utility opening
- B. 24" (60.96 cm) minimum opening width

Custom Overlay Frame

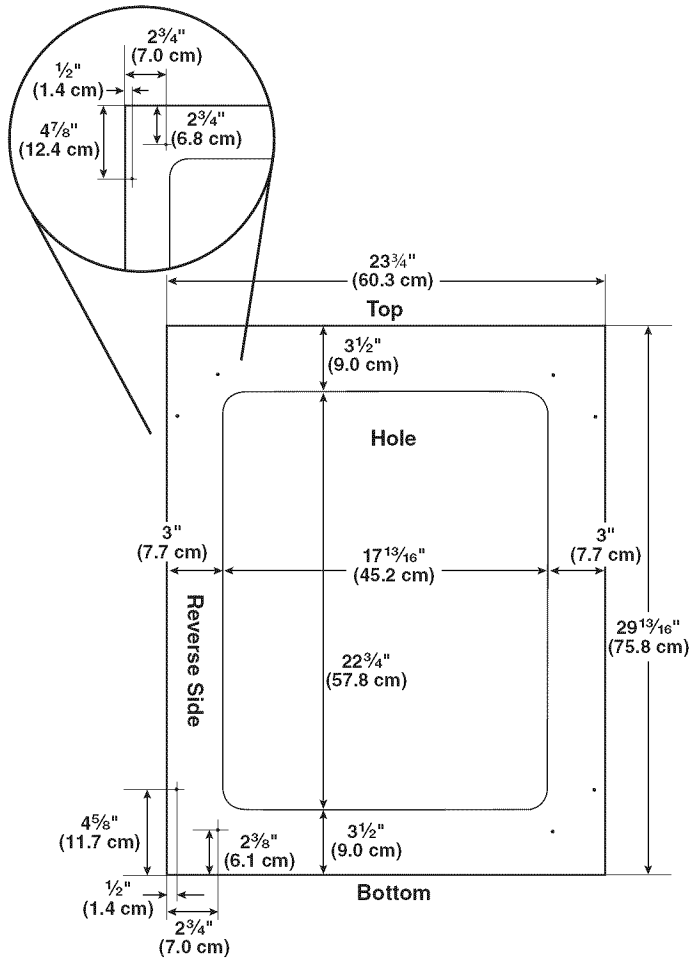
If you plan to install a custom overlay frame, you will need to create the frame yourself or consult a qualified cabinetmaker or carpenter. See dimension drawings for frame specifications.

IMPORTANT:

- The thickness of the overlay frame must be $\frac{3}{4}$ " (19 mm).
- The overlay frame must not weigh more than 10 lbs (4.54 kg). Overlay frames weighing more than recommended may cause damage to your appliance.
- Overlay frame drawings show the rear view of the frame.

Overlay Frame Dimensions—Rear View

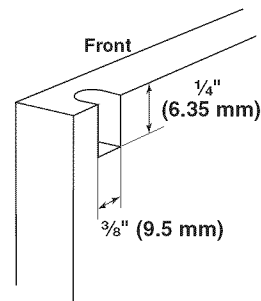
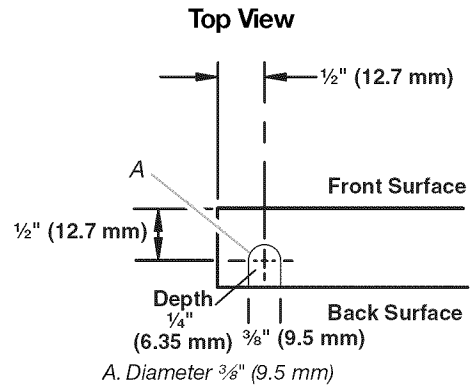
1. Create a custom overlay frame using the dimensions shown.



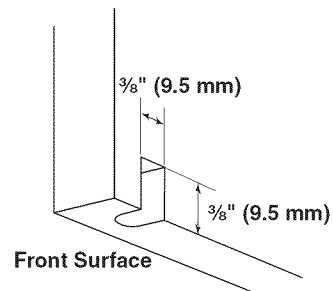
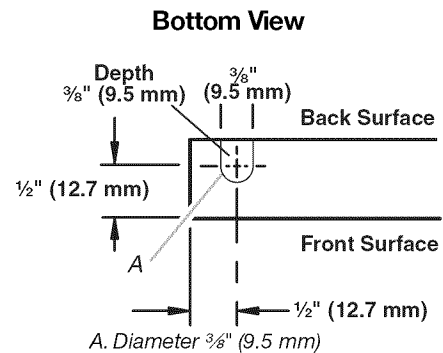
Door Hinge Holes

- The views of the top and bottom hinge pin hole show a right-hand hinge. Mirror the image for a left-hand hinge.
- We recommend using a C-clamp and two pieces of scrap wood (front and back) to help reinforce the overlay frame when drilling the hinge pin holes.

1. Using a $\frac{3}{8}$ " brad point doweling drill bit, drill a hole, $\frac{1}{4}$ " (6.35 mm) deep, into the top of the overlay frame for the top hinge pin. Remove the excess wood surrounding the hole by using the rotary tool to complete the hinge depression, as shown.



2. Using a $\frac{3}{8}$ " brad point doweling drill bit, drill a hole, $\frac{3}{8}$ " (9.5 mm) deep, in the bottom of the overlay frame for the bottom hinge pin. Remove the excess wood surrounding the hole by using the rotary tool to complete the hinge depression as shown.



Electrical Requirements

⚠ WARNING



Electrical Shock Hazard

Plug into a grounded 3 prong outlet.

Do not remove ground prong.

Do not use an adapter.

Do not use an extension cord.

Failure to follow these instructions can result in death, fire, or electrical shock.

Before you move your wine cellar into its final location, it is important to make sure you have the proper electrical connection.

Recommended Grounding Method

A 115 volt, 60 Hz., AC only, 15- or 20-amp fused, grounded electrical supply is required. It is recommended that a separate circuit serving only your wine cellar be provided. Use an outlet that cannot be turned off by a switch. Do not use an extension cord.

NOTE: Before performing any type of installation, cleaning, or removing a light bulb, unplug wine cellar or disconnect power.

INSTALLATION INSTRUCTIONS

Unpack the Wine Cellar

⚠ WARNING

Excessive Weight Hazard

Use two or more people to move and install wine cellar.

Failure to do so can result in back or other injury.

Remove the Packaging

- Remove tape and glue residue from surfaces before turning on the wine cellar. Rub a small amount of liquid dish soap over the adhesive with your fingers. Wipe with warm water and dry.
- Do not use sharp instruments, rubbing alcohol, flammable fluids, or abrasive cleaners to remove tape or glue. These products can damage the surface of your wine cellar. For more information, see "Wine Cellar Safety."

- Dispose of/recycle all packaging materials.

When Moving Your Wine Cellar:

Your wine cellar is heavy. When moving the wine cellar for cleaning or service, be sure to cover the floor with cardboard or hardboard to avoid floor damage. Always pull the wine cellar straight out when moving it. Do not wiggle or "walk" the wine cellar when trying to move it, as floor damage could occur.

Clean Before Using

After you remove all of the packaging materials, clean the inside of your wine cellar before using it. See the cleaning instructions in "Wine Cellar Care."

Install Custom Overlay Frame

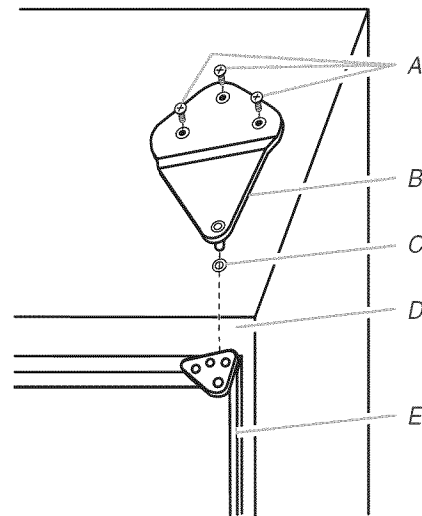
IMPORTANT:

- Create custom overlay frame according to the specifications in the "Custom Overlay Frame" section.
- KitchenAid is not responsible for the removal or addition of molding or decorative frames that would not allow access to the appliance for service.

Remove the Door

IMPORTANT: Do not remove the grease from the washer, top spacer or top hinge pin. Be sure to set aside the top hinge, top spacer and washer for later use.

1. Using a Phillips screwdriver, remove the three screws from the top hinge. Remove the top hinge.

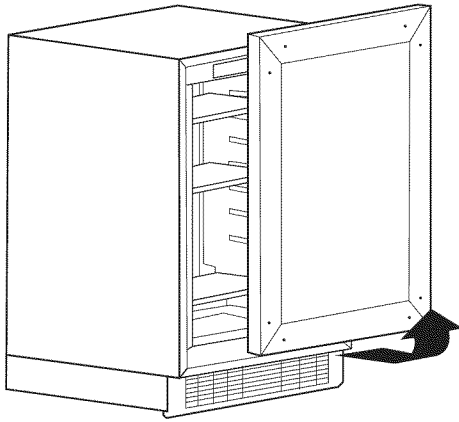


A. Screws (3)
B. Top hinge
C. Washer

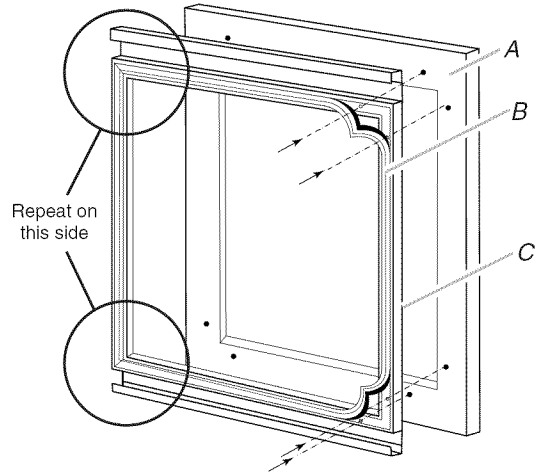
D. Top spacer
E. Door

2. Remove the washer. Keep in a safe place for later use.

- Open the door. Lift the front of the door up, pulling straight out to remove as shown.



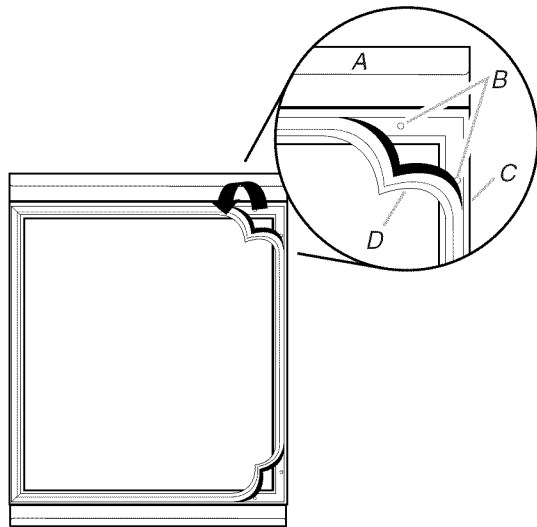
NOTE: The screws for this step are in a small plastic bag, located in the interior of the wine cellar.



A. Custom frame
B. Gasket
C. Door frame

Attach the Overlay Frame

- Gently pull back the gasket from all four corners. Pull back far enough that two screws are visible in each corner (eight total screws). Remove all eight screws.



A. Hinge plate
B. Screws
C. Door
D. Gasket

- Position the overlay frame so that the holes in the frame align with the holes in the door liner.

NOTE: C-clamps are recommended to keep the overlay frame and door liner aligned and to limit movement of the pieces.

- Once all holes are aligned, fasten the custom frame to the door using the screws provided, as shown.

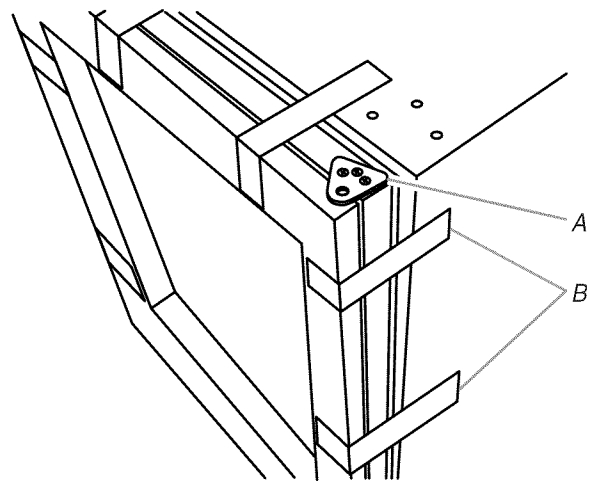
Install the Door

IMPORTANT: To ensure proper operation, be sure to grease the top hinge, top spacer and washer with petroleum jelly.

- Using petroleum jelly, grease the bottom spacer hole and the bottom hinge pin. Align the washer with the bottom spacer hole.
- Install the door by inserting the bottom hinge pin into the bottom space hole. Be sure the washer stays in place. Slowly lower the door straight down and evenly onto the bottom hinge pin.
- Close the door and check that it is aligned with the cabinet.

NOTE: Provide additional support for the door when moving the hinges. Do not depend on the door magnets to hold the door in place while you are working.

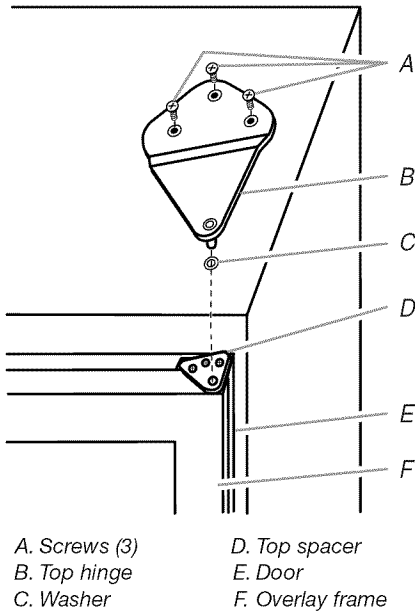
- Using masking tape, secure the door to the cabinet before installing the spacer, as shown.



A. Top spacer
B. Masking tape

- Place the washer on the top spacer and align the holes. Grease the top hinge pin, top spacer and washer with petroleum jelly. Insert the top hinge pin into the washer and top spacer.

- Using a Phillips screwdriver and three screws, attach the top hinge to the cabinet as shown.



- Remove the masking tape from the door.

Door Closing

Door Closing

Your wine cellar has four leveling legs. If your wine cellar seems unsteady or you want the door to close more easily, adjust the wine cellar's tilt using the instructions below.

⚠️ WARNING



Electrical Shock Hazard

- Plug into a grounded 3 prong outlet.**
- Do not remove ground prong.**
- Do not use an adapter.**
- Do not use an extension cord.**
- Failure to follow these instructions can result in death, fire, or electrical shock.**

- Plug into a grounded 3 prong outlet.

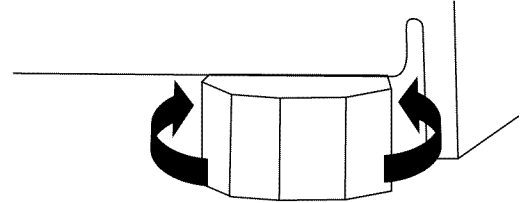
⚠️ WARNING

Excessive Weight Hazard

Use two or more people to move and install wine cellar. Failure to do so can result in back or other injury.

- Move the wine cellar into its final location.
- Turn the leveling legs to the right to lower the wine cellar, or turn the leveling legs to the left to raise it. It may take several turns of the leveling legs to adjust the tilt of the wine cellar.

NOTE: Having someone push against the top of the wine cellar takes some weight off the leveling legs. This makes it easier to adjust the leveling legs.



- Open the door and check that it closes as easily as you like. If not, tilt the wine cellar slightly more to the rear by turning both front leveling screws to the right. It may take several more turns, and you should turn both leveling legs the same amount.

WINE CELLAR USE

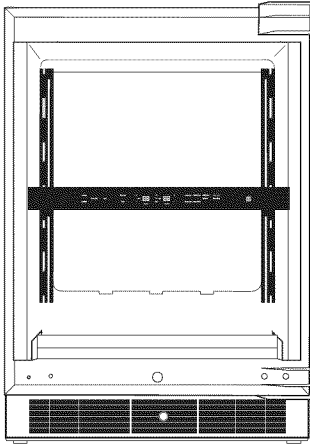
Normal Sounds

Your new wine cellar may make sounds that your old one didn't make. Because the sounds are new to you, you might be concerned about them. Most of the new sounds are normal. Hard surfaces, such as the flooring and surrounding structures, can make the sounds seem louder. The following describes the kinds of sounds and what may be making them.

- Your wine cellar is designed to run more efficiently to keep your wine at the desired temperatures and to minimize energy usage. The high efficiency compressor and fans may cause your wine cellar to run longer than your old one. You may also hear a pulsating or high-pitched sound from the compressor or fans adjusting to optimize performance.
- Rattling noises may come from the flow of refrigerant or items stored inside the wine cellar.
- As each cycle ends, you may hear a gurgling sound due to the refrigerant flowing in your wine cellar.
- You may hear water running into the drain pan when the wine cellar is defrosting.
- You may hear clicking sounds when the wine cellar starts or stops running.

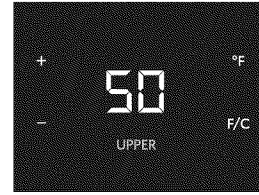
Using the Controls

The control panel for the wine cellar is located on the middle separator (mullion) of the wine cellar. The control of the wine cellar has no mechanical parts or buttons. When disconnected, the control panel displays nothing and may be difficult to locate.



Adjusting the Control

When the wine cellar is turned On for the first time, the temperature defaults to the recommended setting. There are two adjustable temperature controls, with one for each compartment.



- To adjust set point temperatures, press “+” (plus) or “-” (minus) until the desired temperature setting is reached.

NOTE: The set point for the wine cellar is 50°F (10°C) for both the upper and lower compartments. The set point range for the upper compartment is 42°F to 54°F (5°C to 12°C) and 42°F to 64°F (5°C to 17°C) for the lower compartment

The control is set correctly when the wine is as cold as you like it.

NOTE: Wait at least 24 hours between adjustments for the product to acclimate. Recheck the temperatures before making further adjustments.

Turning Control On/Off

- The first time that the wine cellar is plugged in, the control will be in Cool Off mode. Cool On and Cool Off will be the only options that display.



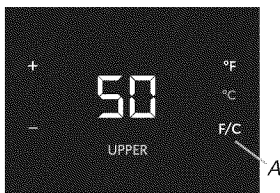
- Press COOL ON for 3 seconds to turn on the wine cellar. All menus and recommended temperature settings will be displayed.



- The left temperature and preset touch pads control the temperature of the upper compartment.
- The right temperature and preset touch pads control the temperature of the lower compartment.

Viewing Celsius Temperatures

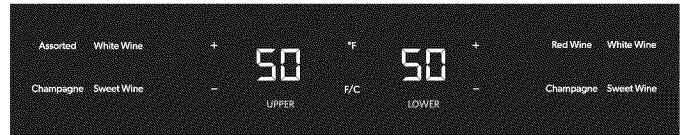
- Press the F/C touch pad to toggle between displaying the temperature in degrees Fahrenheit and degrees Celsius. The corresponding indicator will illuminate.



A. F/C touch pad

Using Presets

For your convenience, your wine cellar also has controls that are preset to recommended storage temperature for specific wines.



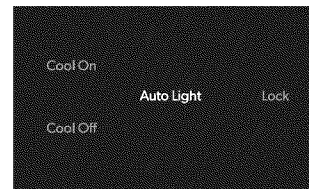
Pressing any preset option will set the temperature to the recommended temperature for the specified wine:

- Assorted: 54°F (12°C)
- Champagne: 46° (7°C)
- Red Wine: 64°F (17°C)
- Sweet Wine: 42°F (5°C)
- White Wine: 50°F (10°C)

Auto Light

The wine cellar has a sensor that will turn on the interior display light automatically when someone walks by. When motion is no longer detected, the interior display light will go off after 2 minutes.

- Press the Auto Light option to activate this feature.



- When the Auto Light is not activated, the interior display light will only turn on when the door is opened.

NOTE:

- Leaving the light on for an extended period of time will slightly increase the temperature of the wine cellar.
- The light is an LED, which does not need to be replaced. However, if the LED does not illuminate when the door is opened, call Service to check the problem and replace, if necessary. See “Assistance or Service” for contact information.

Sabbath Mode

Sabbath Mode is designed for the traveler or for those whose religious observances require turning off the lights. By selecting this feature, the temperature set points remain unchanged, but the control panel lights, interior lights, and control audio turn off. For most efficient wine cellar operation, it is recommended to exit the Sabbath Mode when it is no longer required.



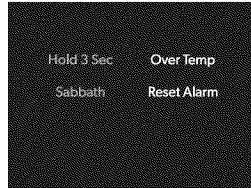
- Press and hold SABBATH for 3 seconds to turn on the feature. After the 3-second countdown, the feature will activate and all other displays will turn Off.
- Press and hold SABBATH for 3 seconds to turn off the feature and turn on the display.

Door Open

If the door is open longer than 5 minutes, an alarm will sound every 2 minutes until the door is closed or any control is pressed.

Over Temp Alarm

The Over Temperature feature is designed to let you know when the wine cellar temperature rises above 70°F (21°C) for 4 hours or longer. The audio alarm will shut off automatically when the temperature returns to normal. To let you know an Over Temperature condition occurred, the indicator light will continue to flash until the Reset Alarm touch pad is pressed.

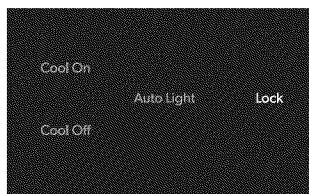


If the over temperature condition is still present when an Over Temp reset is performed, the indicator light will continue to reactivate every 4 hours until the wine cellar temperature is below 70°F (21°C).

NOTE: These features will not appear on your control unless your wine cellar is above 70°F (21°C) and the alarm requires a reset.

Lock Mode

The Lock mode deactivates all other options and avoids any changes being made to your desired temperature settings.



- To activate Lock mode, press and hold LOCK for 3 seconds. After the countdown, all other displays will turn off and become unavailable except Cool On, Cool Off and Lock.

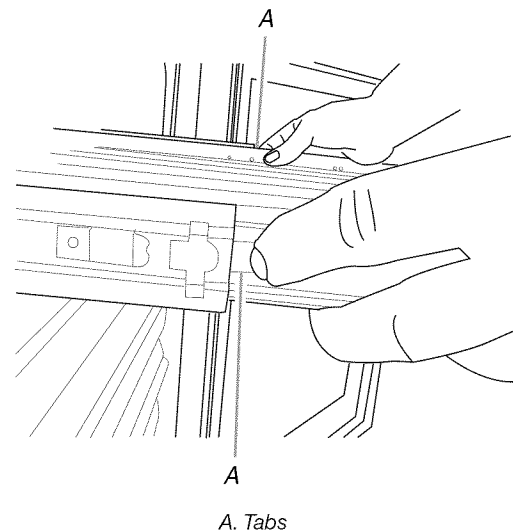
Showroom Mode

This mode is used only when the wine cellar is on display in a retail store. If you unintentionally turn on Showroom mode, Cool Off will light up on the display, and the controls will appear to work. Exit Showroom mode by pressing and holding COOL ON and SABBATH at the same time for 3 seconds.

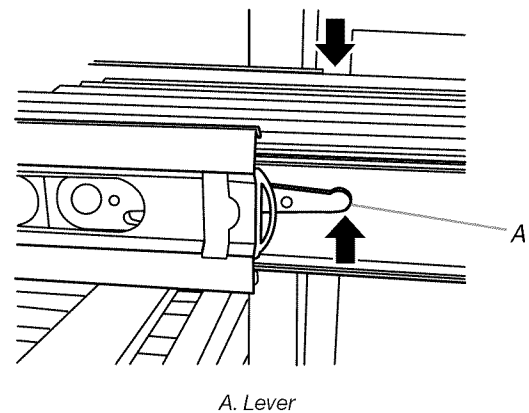
Wine Racks

Remove and Replace the Wine Racks

1. Pull the rack forward until it stops.
2. Release the rack from the supports.
 - **Style 1** - Push in on the tabs to release the rack.

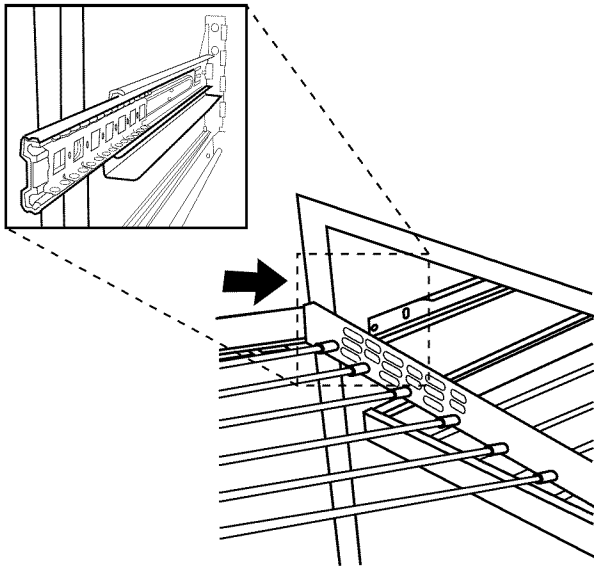


- **Style 2** - Lift up on the left-hand lever while pressing down on the right-hand lever to release the rack.



3. Pull the rack forward and lift it up and out of the rack supports

- Replace the rack by inserting the rack into the supports and sliding it toward the rear of the wine cellar.



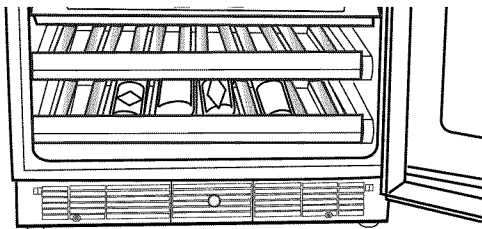
Stocking the Wine Cellar

NOTES:

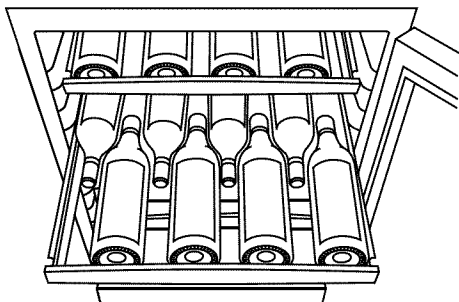
- For optimum wine storage, place white wines on the upper rack of the wine cellar and place red wines on the lower rack of the wine cellar.
- The wine racks can be stocked with the bottles facing either direction, however, to optimize storage adjacent bottles should be facing in opposite directions.

To Stock the Wine Cellar:

- Start stocking the wine cellar with the bottom display rack.
- Starting on the left-hand side, place the first bottle on the bottom of the rack with the neck of the bottle facing the front of the wine cellar.
- Place the next bottle on its side with the neck of the bottle facing the back of the wine cellar. Alternate the direction of the bottles, in this manner, until the display rack is full.



- Slide the bottom rack into place and pull the next rack forward.
- Continue stocking each remaining rack as described in the above steps.



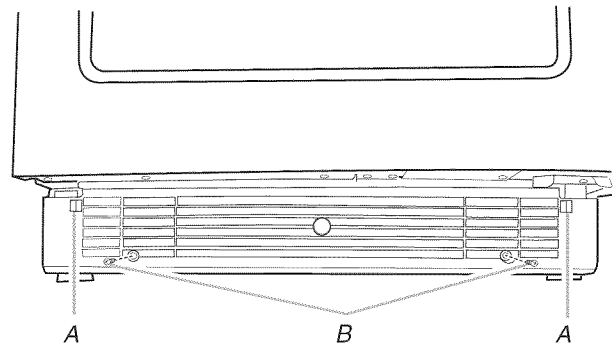
WINE CELLAR CARE

Base Grille

You must remove the base grille to access the condenser coils for cleaning.

To Remove the Base Grille:

- Open the wine cellar door to access the base grille.
- Using a Phillips screwdriver, remove the two screws.
- Push both tabs in toward the center to release the base grille from the cabinet and remove.



A. Tabs
B. Screws

To Replace the Base Grille:

- Open the wine cellar door.
- Position the base grille so that both tabs align and the base grille snaps into place. Replace the two screws. Tighten the screws.

Cleaning

⚠ WARNING



Explosion Hazard

Use nonflammable cleaner.

Failure to do so can result in death, explosion, or fire.

Clean the wine cellar about once a month to avoid buildup of odors. Wipe up spills immediately.

To Clean Your Wine Cellar:

- Unplug wine cellar or disconnect power.
- Remove all racks from inside the wine cellar.
- Hand wash, rinse, and dry removable parts and interior surfaces thoroughly. Use a clean sponge or soft cloth and a mild detergent in warm water.
 - To avoid damaging wooden tines and trim pieces, wipe them off with a clean sponge or soft cloth and warm water. Do not use detergent or immerse the entire rack into water when cleaning.

- Do not use abrasive or harsh cleaners such as window sprays, scouring cleansers, flammable fluids, cleaning waxes, concentrated detergents, bleaches or cleansers containing petroleum products on plastic parts, interior and door liners or gaskets. Do not use paper towels, scouring pads, or other harsh cleaning tools. These can scratch or damage materials.
 - To help remove odors, you can wash interior walls with a mixture of warm water and baking soda (2 tbs to 1 qt [26 g to 0.95 L] of water).
4. Wash stainless steel and painted metal exteriors with a clean sponge or soft cloth and a mild detergent in warm water. Do not use abrasive or harsh cleaners, or cleaners containing chlorine. These can scratch or damage materials. Dry thoroughly with a soft cloth.

NOTE: To keep your stainless steel wine cellar looking like new and to remove minor scuffs or marks, it is suggested that you use the manufacturer's approved Stainless Steel Cleaner and Polish. To order the cleaner, see "Accessories."

IMPORTANT: This cleaner is for stainless steel parts only!

Do not allow the Stainless Steel Cleaner and Polish to come into contact with any plastic parts such as the trim pieces, dispenser covers or door gaskets. If unintentional contact does occur, clean plastic part with a sponge and mild detergent in warm water. Dry thoroughly with a soft cloth.

5. Replace the racks.
6. Clean the condenser coils regularly. They are located behind the base grille. Coils may need to be cleaned as often as every other month. This may help save energy.
- Remove the base grille. See "Base Grille."
 - Use a vacuum cleaner with an extended attachment to clean the condenser coils when they are dusty or dirty.

- Replace the base grille.

7. Plug in wine cellar or reconnect power.

Vacation and Moving Care

Vacations

If you choose to turn the wine cellar off before you leave, follow these steps.

1. Remove all wine bottles from the wine cellar.
2. Unplug the wine cellar.
3. Clean the wine cellar. See "Cleaning."
4. Tape a rubber or wood block to the top of the door to prop it open far enough for air to get in. This stops odor and mold from building up.

Moving

When you are moving your wine cellar to a new home, follow these steps to prepare it for the move.

1. Remove all wine bottles from the wine cellar.
2. Unplug the wine cellar.
3. Clean, wipe, and dry it thoroughly.
4. Take out all removable parts, wrap them well, and tape them together so they don't shift and rattle during the move.
5. Tape the doors shut and tape the power cord to the wine cellar.


When you get to your new home, put everything back and refer to the "Installation Instructions" section for preparation instructions.

TROUBLESHOOTING

Try the solutions suggested here first in order to avoid the cost of an unnecessary service call.

Your wine cellar will not operate

⚠ WARNING



Electrical Shock Hazard

Plug into a grounded 3 prong outlet.

Do not remove ground prong.

Do not use an adapter.

Do not use an extension cord.

Failure to follow these instructions can result in death, fire, or electrical shock.

- **Is the power supply cord unplugged?** Plug into a grounded 3 prong outlet.
- **Has a household fuse blown, or has a circuit breaker tripped?** Replace the fuse or reset the circuit.
- **Is the Wine Cellar Control in Cool Off Mode?** See "Using the Controls."

The motor seems to run too much

- **Is the temperature outside hotter than normal?** Expect the motor to run longer under warm conditions. At normal temperatures, expect your motor to run about 40% to 80% of the time. Under warmer conditions, expect it to run even more of the time.
- **Is the door opened often?** Expect the motor to run longer when this occurs. In order to conserve energy, try to get everything you need out of the wine cellar at once. Keep wine bottles positioned label side up so that they are easy to find, and close the door as soon as the wine is removed.
- **Is the control set correctly for the surrounding conditions?** See "Using the Controls."
- **Is the door closed completely?** Push the door firmly shut. If it will not shut all the way, see "The door will not close completely" later in this section.
- **Are the condenser coils dirty?** This obstructs air transfer and makes the motor work harder. Clean the condenser coils. See "Cleaning."

Temperature is too warm

- **Is the door opened often?** Be aware that the wine cellar will warm when this occurs. In order to keep the wine cellar cool, try to get everything you need out of the wine cellar at once. Keep wine bottles positioned label side up so that they are easy to find, and close the door as soon as the wine is removed.
- **Is the control set correctly for the surrounding conditions?** See "Using the Control."
- **Is the base grille blocked?** For best performance, do not install the wine cellar behind a cabinet door or block the base grille.

There is interior moisture buildup

- **Is the door opened often?** To avoid humidity buildup, try to get everything you need out of the wine cellar at once, keep wine bottles positioned label side up so that they are easy to find, and close the door as soon as the wine is removed. When the door is opened, humidity from the room air enters the wine cellar. The more often the door is opened, the faster humidity builds up, especially when the room itself is very humid.
 - **Is it humid?** It is normal for moisture to build up inside the wine cellar when the air is humid.
 - **Is the control set correctly for the surrounding conditions?** See “Using the Controls.”
-

The door is difficult to open

⚠ WARNING



Explosion Hazard

Use nonflammable cleaner.

Failure to do so can result in death, explosion, or fire.

- **Is the gasket dirty or sticky?** Clean the gasket and the surface that it touches. Rub a thin coat of paraffin wax on the gasket following cleaning.
-

The door will not close completely

- **Are the racks out of position?** Put the racks back into their correct positions. See “Wine Cellar Use” for more information.
-

⚠ WARNING



Explosion Hazard

Use nonflammable cleaner.

Failure to do so can result in death, explosion, or fire.

- **Is the gasket sticking?** Clean the gasket and the surface that it touches. Rub a thin coat of paraffin wax on the gasket following cleaning.
-

ASSISTANCE OR SERVICE

Before calling for assistance or service, please check “Troubleshooting.” It may save you the cost of a service call. If you still need help, follow the instructions below.

When calling, please know the purchase date and the complete model and serial number of your appliance. This information will help us to better respond to your request.

If You Need Replacement Parts

If you need to order replacement parts, we recommend that you only use factory specified replacement parts. Factory specified replacement parts will fit right and work right because they are made with the same precision used to build every new KITCHENAID® appliance.

To locate factory specified replacement parts in your area, call us or your nearest designated service center.

In the U.S.A.

Call the KitchenAid Customer eXperience Center toll free: **1-800-422-1230**.

Our Consultants Provide Assistance With:

- Features and specifications on our full line of appliances.
- Installation information.
- Use and maintenance procedures.
- Accessory and repair parts sales.
- Specialized customer assistance (Spanish speaking, hearing impaired, limited vision, etc.).
- Referrals to local dealers, repair parts distributors, and service companies. KitchenAid designated service technicians are trained to fulfill the product warranty and provide after-warranty service anywhere in the United States.

To locate the KitchenAid designated service company in your area, you can also look in your telephone directory Yellow Pages.

For Further Assistance

If you need further assistance, you can write to KitchenAid with any questions or concerns at:

KitchenAid Brand Home Appliances
Customer eXperience Center
553 Benson Road
Benton Harbor, MI 49022-2692

Please include a daytime phone number in your correspondence.

In Canada

Call the KitchenAid Canada Customer eXperience Centre toll free: **1-800-807-6777**.

Our Consultants Provide Assistance With:

- Features and specifications on our full line of appliances.
- Use and maintenance procedures.
- Accessory and repair parts sales.
- Referrals to local dealers, repair parts distributors, and service companies. KitchenAid Canada designated service technicians are trained to fulfill the product warranty and provide after-warranty service, anywhere in Canada.

For Further Assistance

If you need further assistance, you can write to KitchenAid Canada with any questions or concerns at:

KitchenAid Canada
Customer eXperience Centre
200 – 6750 Century Ave.
Mississauga, Ontario L5N 0B7

Please include a daytime phone number in your correspondence.

Accessories

The following accessories are available for your wine cellar. To order an accessory, contact us and ask for the Part Number.

In the U.S.A., visit our webpage www.kitchenaid.com/accessories or call **1-800-442-9991**.

In Canada, visit our webpage www.whirlpoolparts.ca or call **1-800-807-6777**.

Stainless Steel Cleaner and Polish

Order Part #4396095

KITCHENAID® REFRIGERATION LIMITED WARRANTY

ATTACH YOUR RECEIPT HERE. PROOF OF PURCHASE IS REQUIRED TO OBTAIN WARRANTY SERVICE.

Please have the following information available when you call the Customer eXperience Center:

- Name, address and telephone number
- Model number and serial number
- A clear, detailed description of the problem
- Proof of purchase including dealer or retailer name and address

IF YOU NEED SERVICE:

1. Before contacting us to arrange service, please determine whether your product requires repair. Some questions can be addressed without service. Please take a few minutes to review the Troubleshooting or Problem Solver section of the Use and Care Guide, scan the QR code on the right to access additional resources, or visit <http://kitchenaid.custhelp.com>.
2. All warranty service is provided exclusively by our authorized KitchenAid Service Providers. In the U.S. and Canada, direct all requests for warranty service to:

KitchenAid Customer eXperience Center

In the U.S.A., call 1-800-422-1230. In Canada, call 1-800-807-6777.

<http://kitchenaid.custhelp.com>



If outside the 50 United States or Canada, contact your authorized KitchenAid dealer to determine whether another warranty applies.

FIVE YEAR LIMITED WARRANTY

WHAT IS COVERED

LIMITED WARRANTY

For one year from the date of purchase, when this major appliance is installed, operated and maintained according to instructions attached to or furnished with the product, KitchenAid brand of Whirlpool Corporation or Whirlpool Canada LP (hereafter "KitchenAid") will pay for Factory Specified Replacement Parts and repair labor to correct defects in materials or workmanship that existed when this major appliance was purchased, or at its sole discretion replace the product. In the event of product replacement, your appliance will be warranted for the remaining term of the original unit's warranty period.

SECOND THROUGH FIFTH YEAR LIMITED WARRANTY ON CAVITY LINER AND SEALED REFRIGERATION SYSTEM

In the second through fifth years from the date of purchase, when this major appliance is installed, operated and maintained according to the instructions attached to or furnished with the product, KitchenAid brand will pay for factory specified replacement parts and repair labor for the following components to correct non-cosmetic defects in materials and workmanship in this part that prevent function of the refrigerator and that existed when this major appliance was purchased:

- Refrigerator/freezer cavity liner if the part cracks due to defective materials or workmanship.
- Sealed Refrigeration system (includes compressor, evaporator, condenser, dryer and connecting tubing).

YOUR SOLE AND EXCLUSIVE REMEDY UNDER THIS LIMITED WARRANTY SHALL BE PRODUCT REPAIR AS PROVIDED HEREIN. Service must be provided by a KitchenAid designated service company. This limited warranty is valid only in the United States or Canada and applies only when the major appliance is used in the country in which it was purchased. This limited warranty is effective from the date of original consumer purchase. Proof of original purchase date is required to obtain service under this limited warranty.

WHAT IS NOT COVERED

1. Commercial, non-residential or multiple-family use, or use inconsistent with published user, operator or installation instructions.
2. In-home instruction on how to use your product.
3. Service to correct improper product maintenance or installation, installation not in accordance with electrical or plumbing codes or correction of household electrical or plumbing (i.e. house wiring, fuses or water inlet hoses).
4. Consumable parts (i.e. light bulbs, batteries, air or water filters, preservation solutions, etc.).
5. Defects or damage caused by the use of non-genuine KitchenAid parts or accessories.
6. Damage from accident, misuse, abuse, fire, floods, acts of God or use with products not approved by KitchenAid.
7. Repairs to parts or systems to correct product damage or defects caused by unauthorized service, alteration or modification of the appliance.
8. Cosmetic damage including scratches, dents, chips, and other damage to appliance finishes unless such damage results from defects in materials and workmanship and is reported to KitchenAid within 30 days.
9. Discoloration, rust or oxidation of surfaces resulting from caustic or corrosive environments including but not limited to high salt concentrations, high moisture or humidity or exposure to chemicals.
10. Food or medicine loss due to product failure.
11. Pick-up or delivery. This product is intended for in-home repair.
12. Travel or transportation expenses for service in remote locations where an authorized KitchenAid servicer is not available.
13. Removal or reinstallation of inaccessible appliances or built-in fixtures (i.e. trim, decorative panels, flooring, cabinetry, islands, countertops, drywall, etc.) that interfere with servicing, removal or replacement of the product.
14. Service or parts for appliances with original model/serial numbers removed, altered or not easily determined.

The cost of repair or replacement under these excluded circumstances shall be borne by the customer.

DISCLAIMER OF IMPLIED WARRANTIES

IMPLIED WARRANTIES, INCLUDING ANY IMPLIED WARRANTY OF MERCHANTABILITY OR IMPLIED WARRANTY OF FITNESS FOR A PARTICULAR PURPOSE, ARE LIMITED TO ONE YEAR OR THE SHORTEST PERIOD ALLOWED BY LAW. Some states and provinces do not allow limitations on the duration of implied warranties of merchantability or fitness, so this limitation may not apply to you. This warranty gives you specific legal rights, and you also may have other rights that vary from state to state or province to province.

DISCLAIMER OF REPRESENTATIONS OUTSIDE OF WARRANTY

KitchenAid makes no representations about the quality, durability, or need for service or repair of this major appliance other than the representations contained in this warranty. If you want a longer or more comprehensive warranty than the limited warranty that comes with this major appliance, you should ask KitchenAid or your retailer about buying an extended warranty.

LIMITATION OF REMEDIES; EXCLUSION OF INCIDENTAL AND CONSEQUENTIAL DAMAGES

YOUR SOLE AND EXCLUSIVE REMEDY UNDER THIS LIMITED WARRANTY SHALL BE PRODUCT REPAIR AS PROVIDED HEREIN. KITCHENAID SHALL NOT BE LIABLE FOR INCIDENTAL OR CONSEQUENTIAL DAMAGES. Some states and provinces do not allow the exclusion or limitation of incidental or consequential damages, so these limitations and exclusions may not apply to you. This warranty gives you specific legal rights, and you also may have other rights that vary from state to state or province to province.

SEGURIDAD DE LA BODEGA

Su seguridad y la seguridad de los demás es muy importante.

Hemos incluido muchos mensajes importantes de seguridad en este manual y en su electrodoméstico. Lea y obedezca siempre todos los mensajes de seguridad.



Este es el símbolo de advertencia de seguridad.

Este símbolo le llama la atención sobre peligros potenciales que pueden ocasionar la muerte o una lesión a usted y a los demás.

Todos los mensajes de seguridad irán a continuación del símbolo de advertencia de seguridad y de la palabra "PELIGRO" o "ADVERTENCIA". Estas palabras significan:

⚠ PELIGRO

Si no sigue las instrucciones de inmediato, usted puede morir o sufrir una lesión grave.

⚠ ADVERTENCIA

Si no sigue las instrucciones, usted puede morir o sufrir una lesión grave.

Todos los mensajes de seguridad le dirán el peligro potencial, le dirán cómo reducir las posibilidades de sufrir una lesión y lo que puede suceder si no se siguen las instrucciones.

INSTRUCCIONES IMPORTANTES DE SEGURIDAD

ADVERTENCIA: Para reducir el riesgo de incendio, choque eléctrico, o lesiones personales al usar su bodega, siga estas precauciones básicas:

- Conecte a un contacto de pared de conexión a tierra de 3 terminales.
- No quite la terminal de conexión a tierra.
- No use un adaptador.
- No use un cable eléctrico de extensión.
- Desconecte el suministro de energía antes de darle servicio.
- Vuelva a colocar todos los componentes y paneles antes de hacerlo funcionar.
- Remueva las puertas de su bodega vieja.
- Use un limpiador no inflamable.
- Mantenga los materiales y vapores inflamables, tales como gasolina, alejados de la bodega.
- Use dos o más personas para mover e instalar la bodega.

GUARDE ESTAS INSTRUCCIONES

Advertencias de la Proposición 65 del estado de California:

ADVERTENCIA: Este producto contiene una o más sustancias químicas identificadas por el estado de California como causantes de cáncer.

ADVERTENCIA: Este producto contiene una o más sustancias químicas identificadas por el estado de California como causantes de defectos congénitos o algún otro tipo de daños en la función reproductora.

Cómo deshacerse adecuadamente de su bodega vieja

⚠ ADVERTENCIA

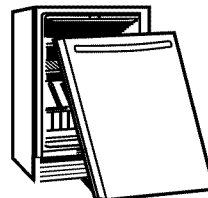
Peligro de Asfixia

Remueva las puertas de su bodega vieja.

No seguir esta instrucción puede ocasionar la muerte o daño al cerebro.

Antes de descartar su vieja bodega:

- Saque la puerta.
- Deje los estantes en su lugar así los niños no pueden meterse adentro con facilidad.



IMPORTANTE: El atrapamiento y asfixia de niños no es un problema del pasado. Las bodegas tiradas y abandonadas son un peligro, aún si van a quedar ahí "por unos pocos días". Si Ud. está por deshacerse de su bodega vieja, por favor siga las instrucciones que se dan a continuación para prevenir accidentes.

Información importante para saber acerca del desecho de refrigerantes:

Deshágase del refrigerador siguiendo los reglamentos federales y locales. Los refrigerantes deberán ser evacuados por un técnico certificado en refrigeración por EPA (Agencia de protección del medioambiente) según los procedimientos establecidos.

REQUISITOS DE INSTALACIÓN

Herramientas y piezas

Herramientas necesarias

Reúna las herramientas y piezas necesarias antes de comenzar la instalación. Lea y siga las instrucciones provistas con cualquiera de las herramientas detalladas aquí.

- Taladro inalámbrico
- Broca de barrena con punta para cabillas de $\frac{1}{16}$ " y $\frac{3}{8}$ "
- Destornillador Phillips
- Herramienta rotativa
- Tijeras
- Abrazadera en C
- Cinta adhesiva protectora
- Cinta de medir
- Vaselina

Piezas necesarias

- Marco recubierto a la medida - Vea "Marco recubierto - Vista trasera".

Piezas suministradas

- Tornillos de cabeza plana (roscado M4x34 TRUSS) (8)

Requisitos de ubicación

⚠ ADVERTENCIA



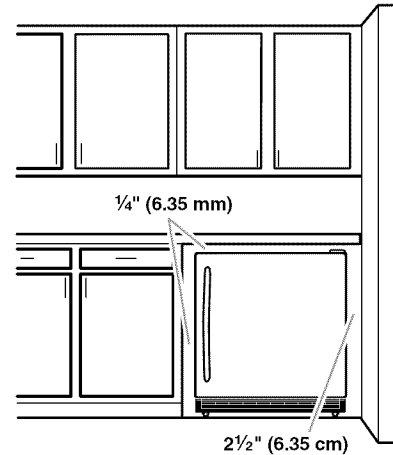
Peligro de Explosión

Mantenga los materiales y vapores inflamables, tales como gasolina, alejados de la bodega.

No seguir esta instrucción puede ocasionar la muerte, explosión, o incendio.

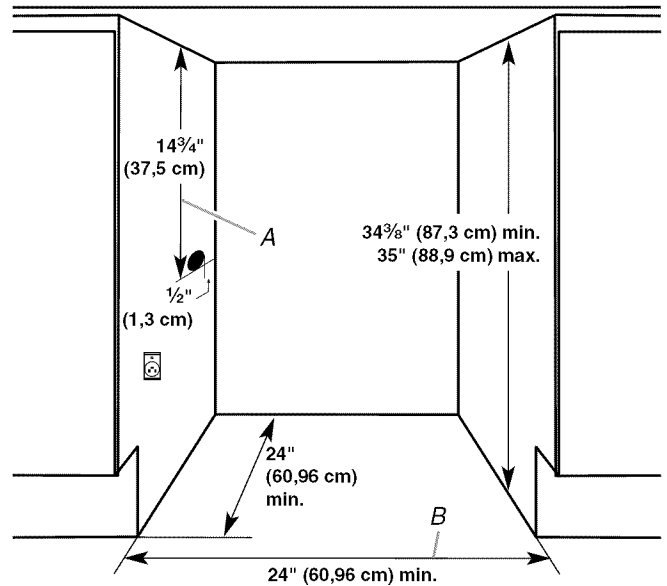
Para garantizar la ventilación adecuada del bodega, deje un espacio de $\frac{1}{4}$ " (6,35 mm) a cada lado y por encima. Si Ud. instala su bodega próximo a una pared fija, deje como mínimo $2\frac{1}{2}$ " (6,35 cm) del lado de la bisagra para permitir que la puerta abra bien.

NOTA: No se recomienda instalar la bodega cerca de un horno, radiador u otra fuente de calor. No instale en un lugar donde la temperatura puede ser menor de 55°F (13°C). Para obtener un óptimo funcionamiento, no instale la bodega detrás de la puerta de un armario ni bloquee la rejilla de la base.



Medidas de la abertura

- Las medidas de altura indicadas consideran las patas niveladoras extendidas a una altura mínima.
NOTA: Si las patas niveladoras están totalmente extendidas agregue $\frac{5}{8}$ " (15 mm) a las medidas de altura.
- Si el piso de la abertura no está nivelado con el piso de la cocina, ponga calzas en la abertura para que quede nivelado con el piso de la cocina.



Dimensiones fundamentales:

A. Abertura de uso general de $14\frac{3}{4}$ " (37,5 cm)

B. Ancho mínimo de la abertura de 24" (60,96 cm)

Marco recubierto a la medida

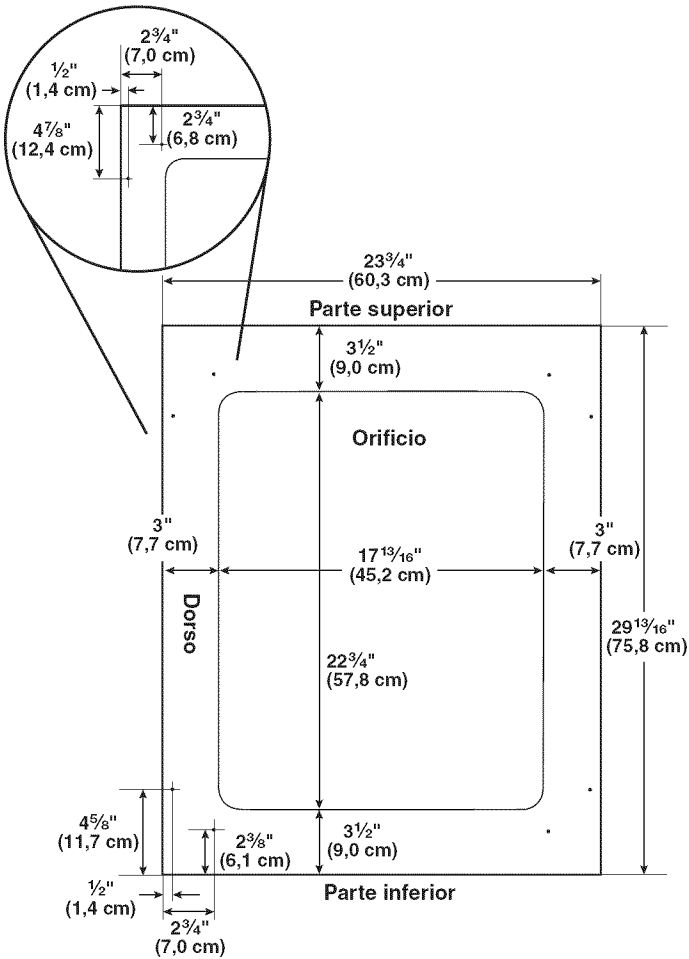
Si va a instalar un marco recubierto a la medida, deberá hacer el marco usted mismo o consultar con un carpintero o fabricante de armarios calificado. Para obtener información acerca de las especificaciones del marco, vea los gráficos dimensionales.

IMPORTANTE:

- El grosor del marco recubierto debe ser de $\frac{3}{4}$ " (19 mm).
- El marco recubierto no debe pesar más de 10 lbs (4,54 kg). Los marcos recubiertos que pesan más de lo recomendado pueden dañar su electrodoméstico.
- Los dibujos del marco recubierto muestran la vista trasera del marco.

Marco recubierto - Vista trasera

1. Cree un marco recubierto a la medida utilizando las medidas que se muestran.

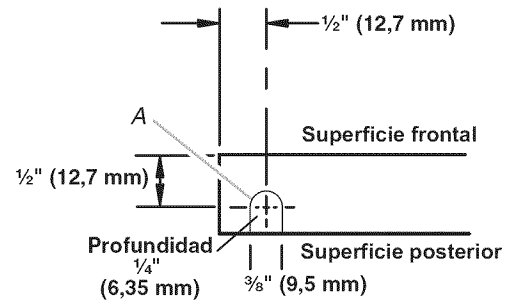


Orificios de la bisagra de la puerta

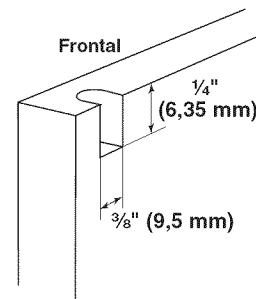
- Las vistas del orificio del pasador de la bisagra superior e inferior ilustran una bisagra del lado derecho. Invierta la imagen para una bisagra del lado izquierdo.
- Recomendamos usar una abrazadera en C y dos piezas de madera sobrante (adelante y atrás) para ayudar a reforzar el marco recubierto cuando taladre los orificios del pasador de la bisagra.

1. Con una broca de barrena con punta para cabillas de $\frac{3}{8}$ ", taladre un orificio con una profundidad de $\frac{1}{4}$ " (6,35 mm) en la parte superior del marco recubierto para el pasador de la bisagra superior. Para terminar la hendidura para la bisagra, quite el exceso de madera alrededor del orificio con la herramienta rotativa, como se muestra.

Vista superior

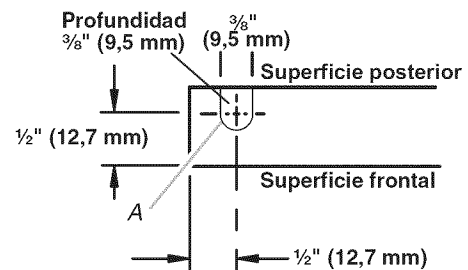


A. Diámetro de $\frac{3}{8}$ " (9,5 mm)

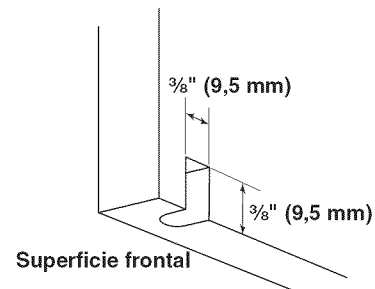


2. Con una broca de barrena con punta para cabillas de $\frac{3}{8}$ ", taladre un orificio de $\frac{3}{8}$ " (9,5 mm) en la base del marco recubierto para el pasador de la bisagra inferior. Para terminar la hendidura para la bisagra, quite el exceso de madera alrededor del orificio con la herramienta rotativa, como se muestra.

Vista inferior



A. Diámetro de $\frac{3}{8}$ " (9,5 mm)



Requisitos eléctricos

⚠️ ADVERTENCIA



Peligro de Choque Eléctrico

Conecte a un contacto de pared de conexión a tierra de 3 terminales.

No quite la terminal de conexión a tierra.

No use un adaptador.

No use un cable eléctrico de extensión.

No seguir estas instrucciones puede ocasionar la muerte, incendio o choque eléctrico.

Antes de mover la bodega a su ubicación final, es importante asegurarse de que tiene la conexión eléctrica adecuada.

Método de conexión a tierra recomendado

Se requiere una fuente de energía eléctrica de 115 Voltios, 60 Hz., CA solamente y con fusibles de 15 ó 20 amperios, debidamente conectada a tierra. Se recomienda que use un circuito separado sólo para su bodega. Use un tomacorriente que no se pueda apagar con un interruptor. No use un cable eléctrico de extensión.

NOTA: Antes de realizar cualquier tipo de instalación, limpieza o de quitar un foco de luz, desenchufe la bodega o desconecte la fuente de energía.

INSTRUCCIONES DE INSTALACIÓN

Desempaque de la bodega

⚠️ ADVERTENCIA

Peligro de Peso Excesivo

Use dos o más personas para mover e instalar la bodega.

No seguir esta instrucción puede ocasionar una lesión en la espalda u otro tipo de lesiones.

Cómo quitar los materiales de empaque

- Quite los residuos de cinta y goma de las superficies antes de encender la bodega. Frote un poco de detergente líquido para vajillas sobre el adhesivo con los dedos. Limpie con agua tibia y seque.
- No use instrumentos filosos, alcohol para fricciones, líquidos inflamables o productos de limpieza abrasivos para eliminar los restos de cinta o goma. Estos productos pueden dañar la superficie de su bodega. Para más información, vea "Seguridad de la bodega".

- Deshágase de todos los materiales de embalaje o recíclelos.

Cuando mueva su bodega:

Su bodega es muy pesada. Cuando mueva la bodega para limpiarla o darle servicio, cerciórese de cubrir el piso con cartón o madera para evitar daños en el mismo. Al mover la bodega, siempre tire directamente hacia afuera. No menee la bodega de lado a lado ni la haga "caminar" cuando la trate de mover ya que podría dañar el piso.

Limpeza antes del uso

Una vez que usted haya quitado todos los materiales de empaque, limpie el interior de su bodega antes de usarla. Vea las instrucciones de limpieza en "Cuidado de su bodega".

Cómo instalar el marco recubierto a la medida

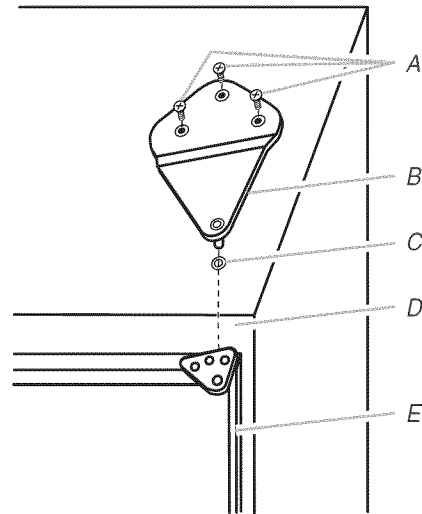
IMPORTANTE:

- Cree un marco recubierto a la medida de acuerdo con las especificaciones en la sección "Marco recubierto a la medida".
- KitchenAid no es responsable de la remoción o adición de molduras o paneles decorativos que pudieran impedir el acceso al refrigerador para darle servicio.

Cómo quitar la puerta

IMPORTANTE: No quite la grasa de la arandela, del espaciador superior o de la espiga de la bisagra superior. Asegúrese de apartar la bisagra superior, el espaciador superior y la arandela para su uso posterior.

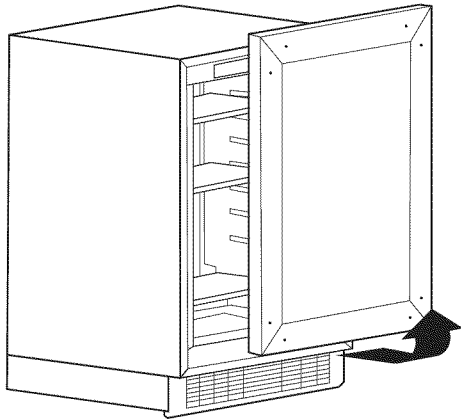
1. Quite con un destornillador Phillips los tres tornillos de la bisagra superior. Saque la bisagra superior.



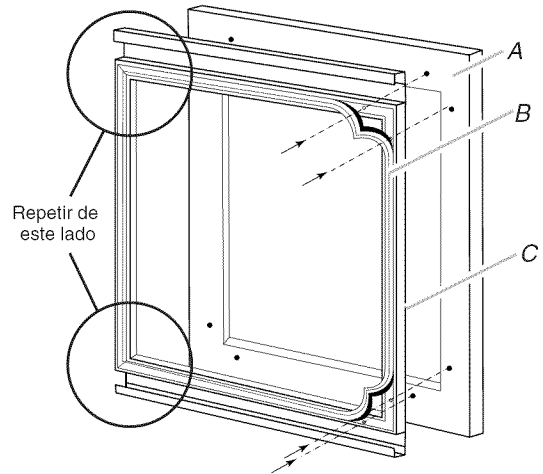
- A. Tornillos (3)
- B. Bisagra superior
- C. Arandela
- D. Espaciador superior
- E. Puerta

2. Quite la arandela. Guárdela en un lugar seguro para utilizarla después.

- Abra la puerta. Levante la parte frontal de la puerta, jalando directamente hacia fuera para quitarla como se muestra.



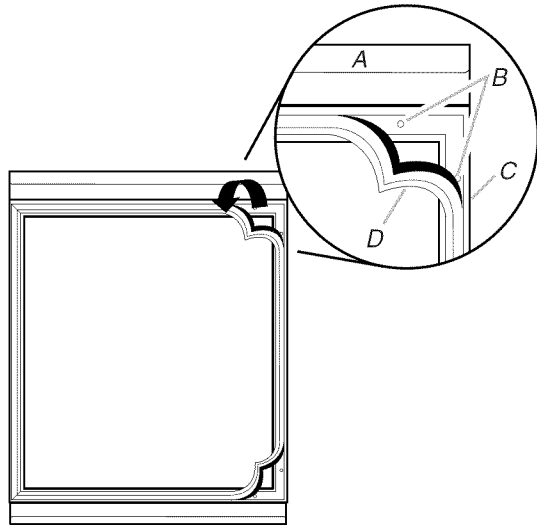
NOTA: Los tornillos para este paso se encuentran en una pequeña bolsa de plástico dentro del refrigerador.



A. Marco a la medida
B. Junta
C. Marco de la puerta

Cómo fijar el marco recubierto

- Jale suavemente la junta hacia atrás de las cuatro esquinas. Jale lo suficiente hacia atrás de modo que los dos tornillos queden visibles en cada esquina (ocho tornillos en total). Quite los ocho tornillos.



A. Placa de la bisagra
B. Tornillos
C. Puerta
D. Junta

- Coloque el marco recubierto de modo que los orificios del marco queden alineados con los orificios del revestimiento de la puerta.

NOTA: Se recomienda el uso de abrazaderas en C para mantener el marco recubierto y el revestimiento de la puerta alineados, y minimizar el movimiento de las piezas.

- Una vez que se alinearon los orificios, fije el marco a la medida a la puerta con los tornillos provistos tal como se muestra.

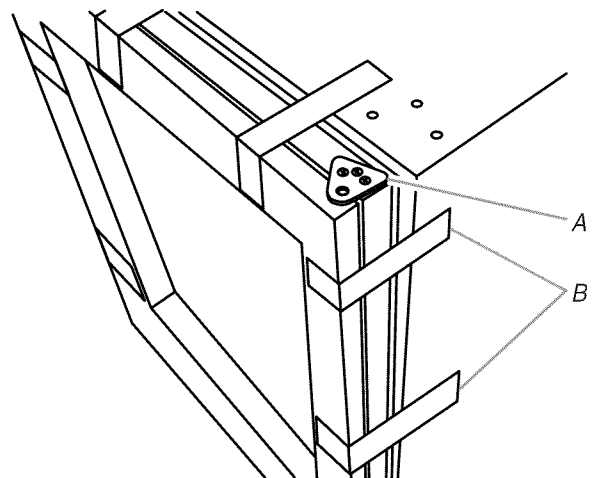
Cómo instalar la puerta

IMPORTANTE: Para asegurar el funcionamiento adecuado, no olvide engrasar la bisagra superior, el espaciador superior y la arandela con vaselina.

- Engrase con vaselina el orificio del espaciador inferior y la espiga de la bisagra inferior. Alinee la arandela con el orificio del espaciador inferior.
- Instale la puerta insertando la espiga de la bisagra inferior en el orificio del espaciador inferior. Asegúrese de que la arandela se mantenga en su lugar. Lentamente baje la puerta en forma derecha y pareja hasta la espiga de la bisagra inferior.
- Cierre la puerta. Asegúrese de que la puerta esté correctamente alineada con el gabinete.

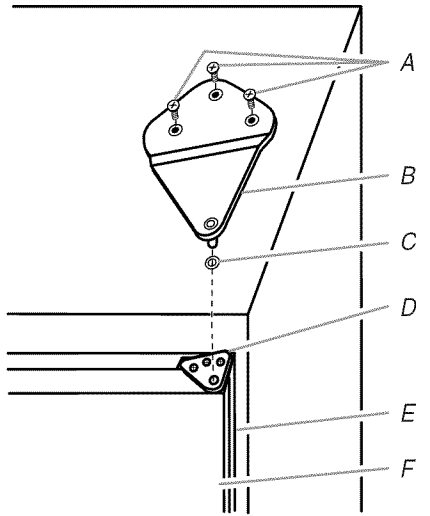
NOTA: Provea un soporte adicional para la puerta mientras mueve las bisagras. No se confíe en que los imanes de las puertas van a sostener la puerta en su lugar mientras trabaja.

- Asegure la puerta al gabinete con cinta adhesiva protectora antes de instalar el espaciador, como se muestra.



A. Espaciador superior
B. Cinta adhesiva protectora

- Ubique la arandela en el espaciador superior y alinee los orificios. Engrase la espiga de la bisagra superior, el espaciador superior y la arandela con vaselina. Inserte la espiga de la bisagra superior en la arandela y el espaciador superior.
- Ajuste la bisagra superior al gabinete con un destornillador Phillips y tres tornillos, como se muestra.



A. Tornillos (3) D. Espaciador superior
 B. Bisagra superior E. Puerta
 C. Arandela F. Marco recubierto

- Quite la cinta adhesiva protectora de la puerta.

Cierre de la puerta

Cierre de la puerta

Su bodega tiene cuatro patas niveladoras. Si su bodega parece inestable o usted quiere que la puerta se cierre con mayor facilidad, ajuste la inclinación de la bodega usando las instrucciones a continuación.

⚠ ADVERTENCIA



Peligro de Choque Eléctrico

Conecte a un contacto de pared de conexión a tierra de 3 terminales.

No quite la terminal de conexión a tierra.

No use un adaptador.

No use un cable eléctrico de extensión.

No seguir estas instrucciones puede ocasionar la muerte, incendio o choque eléctrico.

- Conecte a un contacto de pared de conexión a tierra de 3 terminales.

⚠ ADVERTENCIA

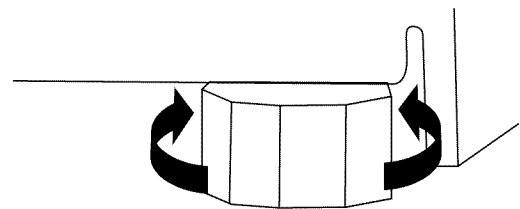
Peligro de Peso Excesivo

Use dos o más personas para mover e instalar la bodega.

No seguir esta instrucción puede ocasionar una lesión en la espalda u otro tipo de lesiones.

- Mueva la bodega hacia su posición final.
- Gire las patas niveladoras hacia la derecha para bajar la bodega o gírelas hacia la izquierda para levantarla. Puede precisar darle varias vueltas a las patas niveladoras para ajustar la inclinación de la bodega.

NOTA: Para quitar un poco de peso de las patas niveladoras, haga que alguien empuje la parte superior de la bodega. Esto facilita el ajuste de las patas niveladoras.



- Abra la puerta y verifique para asegurarse que se cierra con la facilidad que usted desea. Si no es así, gire ambos tornillos niveladores delanteros hacia la derecha para inclinar levemente la bodega más hacia atrás. Puede tomar varias vueltas más, y usted deberá girar ambas patas niveladoras la misma cantidad de veces.

USO DE LA BODEGA

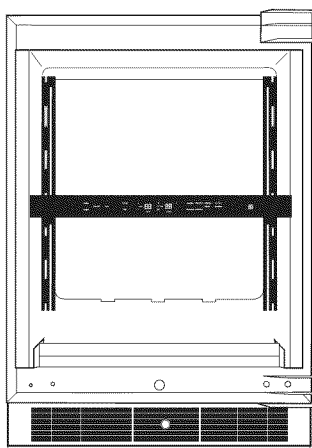
Sonidos normales

Su nueva bodega puede hacer ruidos que su vieja bodega no hacía. Como estos sonidos son nuevos para Ud., puede ser que se preocupe. La mayoría de los sonidos nuevos son normales. Las superficies duras tales como el piso y las estructuras circundantes pueden hacer que los sonidos parezcan más fuertes. A continuación se describen los tipos de sonidos y qué puede causarlos.

- Su bodega está diseñada para funcionar con más eficiencia para conservar el vino a la temperatura deseada y para reducir al mínimo el uso de energía. El compresor y los ventiladores de alta eficiencia pueden causar que su nueva bodega funcione por períodos de tiempo más largos que su bodega vieja. También puede escuchar un sonido pulsante o agudo del compresor o los ventiladores que se ajustan para un funcionamiento óptimo.
- Las vibraciones pueden producirse por el flujo de líquido refrigerante o artículos guardados dentro de la bodega.
- Al final de cada ciclo, Ud. puede escuchar un gorgoteo debido al flujo de líquido refrigerante en su bodega.
- Ud. puede escuchar agua corriendo hacia la bandeja recolectora cuando la bodega se está descongelando.
- Es posible que escuche sonidos de chasquido cuando la bodega comienza o deja de funcionar.

Uso de los controles

El panel de control para la bodega está ubicado en el separador del medio (montante) de la bodega. El control de la bodega no tiene piezas mecánicas o botones. Cuando se desenchufa, el panel de control no muestra nada y puede resultar difícil de localizar.



Encendido/apagado del control

- Cuando la bodega se enchufa por primera vez, el control estará en modo Cool Off (Enfriamiento apagado). Cool On (Enfriamiento encendido) y Cool Off (Enfriamiento apagado) serán las únicas opciones que se mostrarán en la pantalla.



- Presione COOL ON (Enfriamiento encendido) durante 3 segundos para encender la bodega. Se mostrarán todos los menús y los ajustes de temperatura recomendados.



- Las teclas táctiles de preajustes y temperatura que se encuentran a la izquierda controlan la temperatura del compartimiento superior.
- Las teclas táctiles de preajustes y temperatura que se encuentran a la derecha controlan la temperatura del compartimiento inferior.

Para ver las temperaturas en grados Celsius

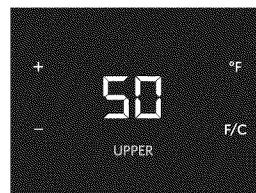
- Presione la tecla táctil F/C para alternar entre Fahrenheit y Celsius. Se iluminará el indicador correspondiente.



A. Tecla táctil F/C

Cómo ajustar el control

Cuando la bodega se enciende por primera vez, la temperatura se ajusta por defecto al ajuste recomendado. Existen dos controles de temperatura ajustable, siendo uno para cada compartimiento.



- Para ajustar temperaturas de punto de ajuste, presione "+" (más) o "-" (menos) hasta alcanzar el ajuste de temperatura deseado.

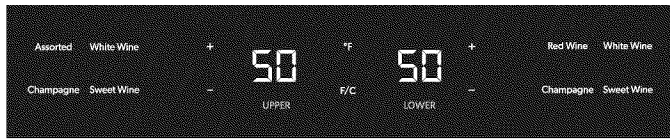
NOTA: El punto de ajuste para la bodega es de 50 °F (10 °C) tanto para el compartimiento superior como el inferior. El rango de punto de ajuste para el compartimiento superior es de 42 °F a 54 °F (5 °C a 12 °C) y de 42 °F a 64 °F (5 °C a 17 °C) para el compartimiento inferior.

El control está fijado correctamente cuando el vino está tan frío como a usted le gusta.

NOTA: Espere al menos 24 horas entre los ajustes para que el producto se aclimate. Vuelva a revisar las temperaturas antes de hacer más ajustes.

Cómo usar los valores prefijados

Para su comodidad, la bodega también posee controles prefijados a temperaturas de almacenamiento recomendadas para vinos específicos.



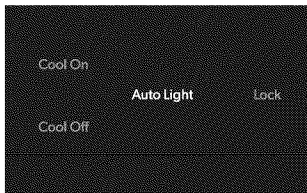
Al presionar cualquier opción prefijada, la temperatura se fijará en la recomendada para un vino específico:

- Assorted (Surtido): 54 °F (12 °C)
- Champagne (Champaña): 46 °F (7 °C)
- Red Wine (Vino tinto): 64 °F (17 °C)
- Sweet Wine (Vino dulce): 42 °F (5 °C)
- White Wine (Vino blanco): 50 °F (10 °C)

Luz automática

La bodega tiene un sensor que encenderá la luz de la pantalla interior de forma automática cuando una persona pase cerca. Cuando no se detecta más movimiento, la luz de la pantalla interior se apagará después de 2 minutos.

- Presione la opción de Auto Light (Luz automática) para activar esta función.



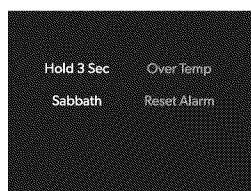
- Cuando Auto Light (Luz automática) no se activa, la luz de la pantalla interior se encenderá solamente cuando la puerta esté abierta.

NOTAS:

- Si se deja la luz encendida por mucho tiempo, aumentará ligeramente la temperatura de la bodega.
- La luz es LED y no necesita reemplazarse. Sin embargo, si el LED no se enciende cuando la puerta está abierta, llame al Servicio técnico para que revisen el problema y lo reemplacen de ser necesario. Vea "Ayuda o servicio técnico" para obtener la información de contacto

Modo de día de descanso

El modo Sabbath (Día de descanso) se ha diseñado para los viajeros o para aquellas personas que debido a sus creencias religiosas necesitan que se apaguen las luces. Al seleccionar esta función, los puntos de ajuste de temperatura permanecerán sin cambios, pero las luces del panel de control, las luces interiores y el sonido de control se apagarán. Para que la bodega funcione de modo eficaz, se recomienda que salga del modo Sabbath (Día de descanso) cuando ya no lo necesite.



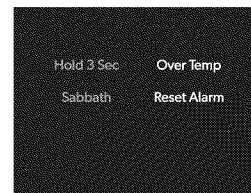
- Mantenga presionado SABBATH (Día de descanso) por 3 segundos para encender la función. Luego de la cuenta regresiva de 3 segundos, la función se activará y el resto de las pantallas se apagarán.
- Mantenga presionado SABBATH (Día de descanso) por 3 segundos para apagar la función y encender la pantalla.

Puerta abierta

Si se abre la puerta por más de 5 minutos, sonará una alarma cada 2 minutos hasta que la puerta se cierre o se presione cualquiera de los controles.

Alarma de temperatura excesiva

La característica de temperatura excesiva está diseñada para hacerle saber cuándo la bodega excede los 70 °F (21 °C) por más de 4 horas. La alarma sonora se apagará automáticamente cuando la temperatura vuelva a la normalidad. Para hacerle saber que ha ocurrido una condición de temperatura excesiva, la luz indicadora continuará destellando hasta que se presione la tecla táctil Reset Alarm (Restablecer alarma).

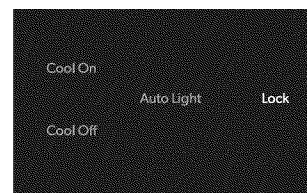


Si luego de restablecer Over Temp (Temperatura excesiva), la condición que causa el exceso de temperatura persiste, la luz indicadora continuará reactivándose cada 4 horas, hasta que la temperatura de la bodega esté por debajo de los 70 °F (21 °C).

NOTA: Estas funciones no aparecerán en el control, salvo que la bodega esté por encima de los 70 °F (21 °C) y la alarma deba restablecerse.

Modo de bloqueo

El modo Lock (Bloqueo) desactiva todas las opciones y evita que se realice cualquier cambio a los ajustes de temperatura deseados.



- Para activar el modo Lock (Bloqueo), mantenga presionado LOCK (Bloqueo) durante 3 segundos. Después de la cuenta regresiva, todas las otras pantallas se apagarán y no estarán disponibles a excepción de Cool On (Enfriamiento encendido), Cool Off (Enfriamiento apagado) y Lock (Bloqueo).

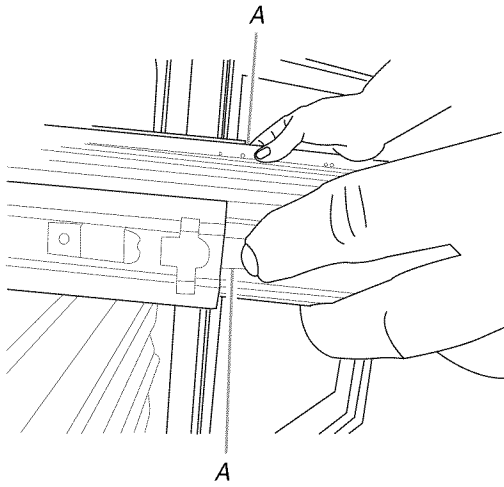
Modo de sala de exposición

Este modo se usa solamente cuando la bodega está de muestra en una tienda minorista. Si usted enciende el modo Showroom (Sala de exposición) por accidente, Cool Off (Enfriamiento apagado) se encenderá en la pantalla y los controles parecerán estar funcionando. Salga del modo Showroom (Sala de exposición) manteniendo presionado COOL ON (Enfriamiento encendido) y SABBATH (Día de descanso) al mismo tiempo durante 3 segundos.

Portabotellas

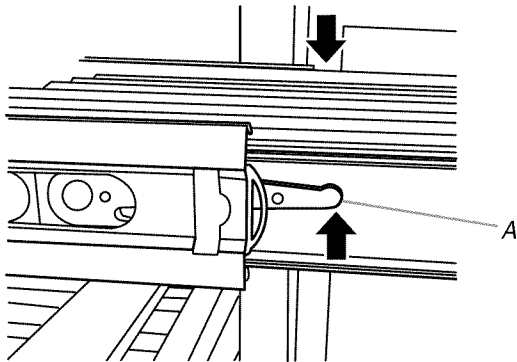
Quite y vuelva a colocar los portabotellas

1. Jale el portabotellas hacia adelante hasta que se detenga.
2. Libere el portabotellas de los soportes.
 - **Estilo 1** - Empuje las lengüetas para liberar el portabotellas.



A. Lengüetas

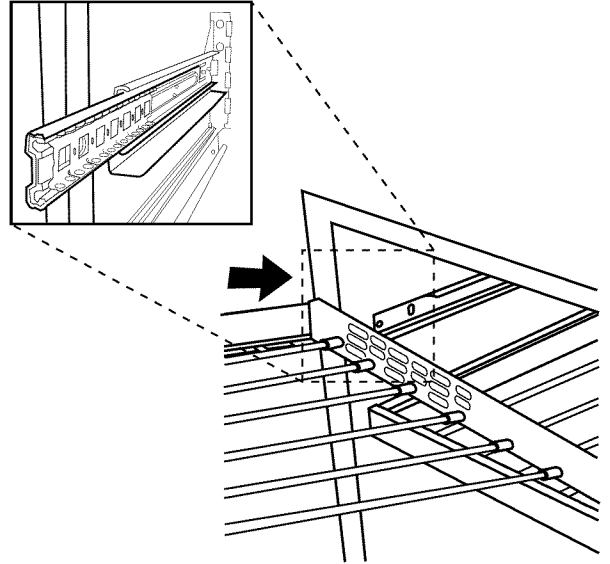
- **Estilo 2** - Levante la palanca de la izquierda mientras ejerce presión sobre la palanca de la derecha para liberar el portabotellas.



A. Palanca

3. Jale el portabotellas hacia delante y levántelo fuera de los soportes del mismo.

4. Vuelva a colocar el portabotellas insertándolo en los soportes y deslizando hacia la parte posterior de la bodega.



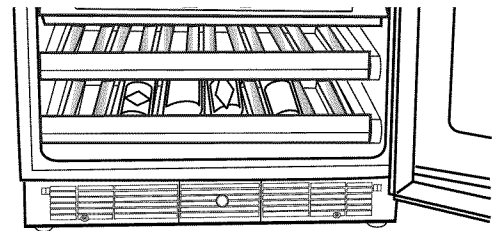
Cómo almacenar en la bodega

NOTAS:

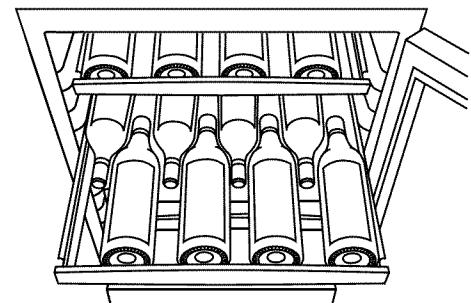
- Para un óptimo almacenamiento de vinos, coloque los vinos blancos en el portabotellas superior de la bodega y los vinos tintos en el portabotellas inferior de la bodega.
- Las botellas pueden colocarse en los portabotellas mirando hacia cualquier dirección. Sin embargo, para aprovechar el espacio al máximo, las botellas adyacentes deberían mirar en direcciones opuestas.

Para almacenar en la bodega:

1. Al almacenar, comience por el portabotellas inferior.
2. Empezando por el lado izquierdo, coloque la primera botella sobre la parte inferior del portabotellas, con el cuello de la botella mirando hacia el frente de la bodega.
3. Coloque la próxima botella al costado de la bodega, con el cuello de la botella mirando hacia la parte posterior de la bodega. Alterne la dirección de las botellas de esta manera hasta que el portabotellas esté lleno.



4. Deslice el portabotellas inferior a su lugar y jale hacia afuera el siguiente portabotellas.
5. Continúe almacenando los portabotellas restantes como se describe en los pasos anteriores.



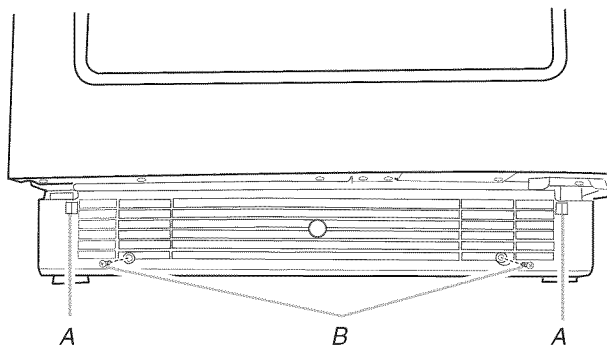
CUIDADO DE LA BODEGA

Rejilla de la base

Debe quitar la rejilla de la base para acceder a los serpentines del condensador y limpiarlos.

Para quitar la rejilla de la base:

1. Abra la puerta de la bodega para acceder a la rejilla de la base.
2. Saque los dos tornillos con un destornillador Phillips.
3. Empuje ambas lengüetas hacia el centro para liberar la rejilla de la base de la bodega y quitarla.



A. Lengüetas
B. Tornillos

Para volver a colocar la rejilla de la base:

1. Abra la puerta de la bodega.
2. Coloque la rejilla de la base de manera que ambas lengüetas estén alineadas y la rejilla de la base encaje en su lugar. Vuelva a colocar los dos tornillos. Apriete los tornillos.

Limpieza

⚠ ADVERTENCIA



Peligro de Explosión

Use un limpiador no inflamable.

No seguir esta instrucción puede ocasionar la muerte, explosión o incendio.

Limpie la bodega más o menos una vez al mes para evitar la acumulación de olores. Limpie los derrames de inmediato.

Cómo limpiar la bodega:

1. Desenchufe la bodega o desconecte el suministro de energía.
2. Retire todos los portabotellas del interior de la bodega.
3. Lave a mano, enjuague y seque todas las partes desmontables y las superficies interiores meticulosamente. Use una esponja limpia o un paño liso y un detergente suave en agua tibia.
 - Para evitar daños en las piezas del adorno de madera, límpielas con una esponja limpia o un paño suave y agua tibia. No use detergente ni sumerja todo el portabotellas en agua cuando lo esté limpiando.

- No use productos de limpieza abrasivos o ásperos, como aerosoles para ventanas, productos de limpieza para pulir, líquidos inflamables, ceras para limpieza, detergentes concentrados, blanqueadores o productos de limpieza que contengan productos de petróleo en las partes de plástico, revestimientos interiores o de la puerta o juntas. No use toallas de papel, estropajos para fregar u otros utensilios de limpieza ásperos. Éstos pueden rayar o dañar los materiales.

- Para ayudar a eliminar olores, puede lavar las paredes interiores con una mezcla de agua tibia y bicarbonato de sodio (2 cucharadas en un cuarto de galón [26 g en 0,95 L] de agua).

4. Lave las superficies externas metálicas pintadas y de acero inoxidable con una esponja limpia o un paño suave y detergente delicado con agua tibia. No use productos de limpieza abrasivos o ásperos o que contengan cloro. Éstos pueden rayar o dañar los materiales. Seque meticulosamente con un paño suave.

NOTA: Para mantener como nueva su bodega de acero inoxidable y para quitar marcas o rayaduras pequeñas, se sugiere usar el limpiador de acero inoxidable aprobado por el fabricante. Para pedir el limpiador, vea "Accesorios".

IMPORTANTE: ¡Este limpiador es solamente para partes de acero inoxidable!

No permita que el limpiador de acero inoxidable entre en contacto con ninguna parte de plástico tales como las piezas del marco, las tapas del despachador o las juntas de la puerta. Si se produce contacto no intencional, limpie la pieza de plástico con una esponja y detergente suave en agua tibia. Seque meticulosamente con un paño suave.

5. Vuelva a colocar los portabotellas.
6. Limpie los serpentines del condensador regularmente. Están ubicados detrás de la rejilla de la base. Quizás necesite limpiar los serpentines cada dos meses. Esto puede ayudar a ahorrar energía.
 - Quite la rejilla de la base. Vea "Rejilla de la base".
 - Use una aspiradora con extensión para limpiar los serpentines del condensador siempre que estén sucios o polvorientos.
 - Vuelva a colocar la rejilla de la base.
7. Enchufe la bodega o reconecte el suministro de energía.

Cuidado durante las vacaciones y mudanzas

Vacaciones

Si Ud. decide apagar la bodega antes de irse, siga estos pasos.

1. Saque todas las botellas de vino de la bodega.
2. Desenchufe la bodega.
3. Limpie la bodega. Vea "Limpieza".
4. Fije un bloque de goma o de madera con cinta adhesiva a la parte superior de la puerta para que quede abierta y el aire circule. Esto evita que se formen olores y que crezcan hongos.

Mudanza

Si Ud. muda su bodega a una casa nueva, siga los pasos a continuación para prepararse para la mudanza.

1. Saque todas las botellas de vino de la bodega.
2. Desenchufe la bodega.
3. Límpiela, pásele un paño y séquela detalladamente.

4. Saque todas las partes desmontables, envuélvalas bien y asegúrelas con cinta adhesiva para que no se sacudan durante la mudanza.
5. Sostenga las puertas cerradas y el cable pegado a la bodega con cinta adhesiva.

Condo llegue a la casa nueva, ponga todo de nuevo y lea la sección "Instrucciones de instalación" para obtener instrucciones de preparación.

SOLUCIÓN DE PROBLEMAS

Primero pruebe las soluciones sugeridas aquí para evitar el costo innecesario del servicio.

La bodega no funciona

⚠️ ADVERTENCIA



Peligro de Choque Eléctrico

Conecte a un contacto de pared de conexión a tierra de 3 terminales.

No quite la terminal de conexión a tierra.

No use un adaptador.

No use un cable eléctrico de extensión.

No seguir estas instrucciones puede ocasionar la muerte, incendio o choque eléctrico.

- **¿Está desenchufado el cable de suministro de energía?** Conecte a un contacto de pared de conexión a tierra de 3 terminales.
- **¿Hay un fusible de la casa fundido o se disparó el cortacircuitos?** Reemplace el fusible o reposicione el cortacircuitos.
- **¿Se ha colocado el control de la bodega en la posición de apagado?** Vea "Uso de los controles".

Parece que el motor funciona excesivamente

- **¿Está la temperatura exterior más caliente de lo normal?** En condiciones de calor, el motor funciona por períodos más largos. Cuando la temperatura es normal, el motor funciona entre el 40 % y el 80 % del tiempo. Bajo condiciones más calientes, puede funcionar por aún más tiempo.
- **¿Se abre la puerta a menudo?** Cuando esto ocurre, el motor puede funcionar por períodos más largos. Para ahorrar energía, trate de sacar todo lo que necesite de la bodega de una vez, mantenga las botellas de vino con las etiquetas hacia arriba para que sean fáciles de encontrar y cierre la puerta una vez que se haya sacado el vino.
- **¿Se ha ajustado el control correctamente de acuerdo con las condiciones circundantes?** Vea "Uso de los controles".
- **¿Está completamente cerrada la puerta?** Cierre la puerta con firmeza. Si no se cierra completamente, vea "La puerta no cierra completamente" más adelante en esta sección.
- **¿Están sucios los serpentines del condensador?** Esto obstruye la transferencia de aire y hace que el motor trabaje más. Limpie los serpentines del condensador. Vea "Limpieza".

La temperatura está demasiado alta

- **¿Se abre la puerta a menudo?** Sea consciente de que la bodega se calienta cuando esto ocurre. Para mantener la bodega fría, trate de sacar todo lo que necesite de la bodega de una vez, mantenga las botellas de vino con las etiquetas hacia arriba para que sean fáciles de encontrar y cierre la puerta una vez que se haya sacado el vino.
- **¿Se ha ajustado el control correctamente de acuerdo con las condiciones circundantes?** Vea "Uso de los controles".
- **¿Está bloqueada la rejilla de la base?** Para obtener un óptimo funcionamiento, no instale la bodega detrás de la puerta de un armario ni bloquee la rejilla de la base.

Hay acumulación de humedad en el interior

- **¿Se abre la puerta a menudo?** Para evitar la acumulación de humedad, trate de sacar todo lo que necesite de la bodega de una vez, mantenga las botellas de vino con las etiquetas hacia arriba para que sean fáciles de encontrar y cierre la puerta una vez que se haya sacado el vino. Cuando la puerta está abierta, la humedad de la habitación entra a la bodega. La humedad se acumula más rápido cuanto más seguido se abre la puerta, especialmente cuando la habitación está muy húmeda.
- **¿Hay humedad?** Es normal que se acumule humedad dentro de la bodega cuando el aire está húmedo.
- **¿Se ha ajustado el control correctamente de acuerdo con las condiciones circundantes?** Vea "Uso de los controles".

Es difícil abrir la puerta

⚠️ ADVERTENCIA



Peligro de Explosión

Use un limpiador no inflamable.

No seguir esta instrucción puede ocasionar la muerte, explosión o incendio.

- **¿Está la junta sucia o pegajosa?** Limpie la junta y la superficie que ésta toque. Frote una capa delgada de cera de parafina sobre la junta después de la limpieza.

La puerta no cierra completamente

- **¿Están fuera de posición los portabotellas?** Coloque nuevamente los portabotellas en su posición correcta. Vea "Uso de la bodega" para obtener más información.

ADVERTENCIA



Peligro de Explosión

Use un limpiador no inflamable.

No seguir esta instrucción puede ocasionar la muerte, explosión o incendio.

-
- **¿Está la junta pegajosa?** Limpie la junta y la superficie que ésta toque. Frote una capa delgada de cera de parafina sobre la junta después de la limpieza.

AYUDA O SERVICIO TÉCNICO

Antes de solicitar ayuda o servicio técnico, por favor consulte la sección "Solución de Problemas". Esto le podría ahorrar el costo de una visita de servicio técnico. Si considera que aún necesita ayuda, siga las instrucciones que aparecen a continuación.

Cuando llame, tenga a mano la fecha de compra y el número completo del modelo y de la serie de su electrodoméstico. Esta información nos ayudará a atender mejor a su pedido.

Si necesita piezas de repuesto

Si necesita pedir refacciones, recomendamos que use únicamente piezas de repuesto especificadas de fábrica. Las piezas de repuesto especificadas de fábrica encajarán bien y funcionarán bien ya que están confeccionadas con la misma precisión empleada en la fabricación de cada electrodoméstico nuevo de KITCHENAID®.

Para encontrar piezas de repuesto especificadas de fábrica en su localidad, llámenos o llame al centro de servicio técnico designado más cercano a su localidad.

En los EE.UU.

Llame al centro para la eXperiencia del cliente de KitchenAid sin costo alguno al: **1-800-422-1230**.

Nuestros consultores ofrecen ayuda para:

- Características y especificaciones de nuestra línea completa de electrodomésticos.
- Información sobre la instalación.
- Procedimiento para el uso y mantenimiento.
- Venta de accesorios y partes para reparación.
- Asistencia especializada para el consumidor (habla hispana, problemas de audición, visión limitada, etc.).

- Recomendaciones con distribuidores locales, compañías que dan servicio y distribuidores de partes para reparación. Los técnicos designados por KitchenAid están entrenados para cumplir con la garantía de producto y ofrecer servicio una vez que la garantía termine, en cualquier lugar de los Estados Unidos.

Para localizar a una compañía de servicio designada por KitchenAid en su área, también puede consultar la sección amarilla de su guía telefónica.

Para obtener asistencia adicional

Si necesita asistencia adicional, puede escribir a KitchenAid con sus preguntas o dudas a:

KitchenAid Brand Home Appliances
Customer eXperience Center
553 Benson Road
Benton Harbor, MI 49022-2692

Por favor incluya en su correspondencia un número de teléfono en el que se le pueda localizar durante el día.

En Canadá

Llame al Centro para la eXperiencia del cliente de KitchenAid en Canadá sin costo alguno al: **1-800-807-6777**.

Nuestros consultores ofrecen ayuda para:

- Características y especificaciones de nuestra línea completa de electrodomésticos.
- Procedimiento para el uso y mantenimiento.
- Venta de accesorios y partes para reparación.
- Recomendaciones con distribuidores locales, compañías que dan servicio y distribuidores de partes para reparación. Los técnicos designados por KitchenAid Canada están entrenados para cumplir con la garantía del producto y ofrecer servicio una vez que la garantía termine, en cualquier lugar de Canadá.

Para obtener asistencia adicional

Si necesita asistencia adicional, puede escribir a KitchenAid Canada con sus preguntas o dudas a:

KitchenAid Canada
Customer eXperience Centre
200 – 6750 Century Ave.
Mississauga, Ontario L5N 0B7

Por favor incluya en su correspondencia un número de teléfono en el que se le pueda localizar durante el día.

Accesorios

Los siguientes accesorios están disponibles para su bodega. Para hacer un pedido de un accesorio, contáctenos y pida los números de pieza.

En los EE.UU., visite nuestro sitio de internet en **www.kitchenaid.com/accessories** o llame al **1-800-442-9991**.

En Canadá, visite nuestro sitio de internet en **www.whirlpoolparts.ca** o llame al **1-800-807-6777**.

Limpiador de acero inoxidable

Pida la pieza No. 4396095

GARANTÍA LIMITADA DEL REFRIGERADOR KITCHENAID®

ADJUNTE SU RECIBO AQUÍ. SE REQUIERE LA PRUEBA DE COMPRA PARA OBTENER SERVICIO BAJO LA GARANTÍA.

Tenga a mano la siguiente información cuando llame al Centro para la eXperiencia del cliente:

- Nombre, dirección y número de teléfono
- Número de modelo y de serie
- Una descripción clara y detallada del problema
- Prueba de compra incluido el nombre y la dirección del distribuidor o vendedor

SI NECESITA SERVICIO TÉCNICO:

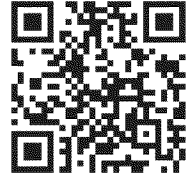
1. Antes de contactarnos para obtener servicio, determine si el producto requiere reparación. Algunas consultas pueden atenderse sin servicio técnico. Tómese unos minutos para revisar la sección de Solución de problemas o Problemas y soluciones del Manual de uso y cuidado, escanee el código QR que se encuentra a la derecha para acceder a los recursos adicionales o visite <http://kitchenaid.custhelp.com>.

2. Todos los servicios bajo la garantía los brindan exclusivamente Prestadores autorizados de servicio de KitchenAid. Para EE.UU. y Canadá, dirija todas las solicitudes de servicio bajo la garantía a:

Centro para la eXperiencia del cliente de KitchenAid

En EE.UU., llame al 1-800-422-1230. En Canadá, llame al 1-800-807-6777.

Si usted se encuentra fuera de los cincuenta Estados Unidos o Canadá, póngase en contacto con su distribuidor autorizado de KitchenAid para determinar si corresponde otra garantía.



<http://kitchenaid.custhelp.com>

GARANTÍA LIMITADA DE CINCO AÑOS

LO QUE ESTÁ CUBIERTO

GARANTÍA LIMITADA

Durante un año a partir de la fecha de compra, siempre y cuando este electrodoméstico principal se instale y se le dé un uso y mantenimiento de conformidad con las instrucciones adjuntas o provistas con el producto, la marca KitchenAid de Whirlpool Corporation o Whirlpool Canada LP (en lo sucesivo denominado "KitchenAid"), se hará cargo del costo de las piezas especificadas de fábrica y del trabajo de reparación para corregir defectos en los materiales o en la mano de obra, existentes en el momento de la compra de este electrodoméstico principal o reemplazará, a su entera discreción, el producto. En caso de reemplazo, el electrodoméstico estará bajo garantía por el tiempo restante del periodo de garantía de la unidad original.

GARANTÍA LIMITADA DEL SEGUNDO AL QUINTO AÑO EN EL REVESTIMIENTO DE LA CAVIDAD Y EL SISTEMA DE REFRIGERACIÓN SELLADO

Desde el segundo al quinto año desde la fecha de compra original, siempre y cuando este electrodoméstico principal se instale y se le dé un uso y mantenimiento de conformidad con las instrucciones adjuntas o provistas con el producto, la marca KitchenAid se hará cargo del costo de las piezas especificadas de fábrica y del trabajo de reparación para los siguientes componentes, para corregir defectos no estéticos en los materiales y en la mano de obra que tenga esta pieza, los cuales eviten el funcionamiento del refrigerador, y que hayan existido en el momento de la compra de este electrodoméstico principal:

- Revestimiento de la cavidad del refrigerador/congelador si la pieza se rompiera debido a defectos de material o de mano de obra.
- Sistema de refrigeración sellado (incluye compresor, evaporador, condensador, secador y tubos conectores).

SU ÚNICO Y EXCLUSIVO RECURSO SEGÚN LOS TÉRMINOS DE ESTA GARANTÍA LIMITADA SERÁ EL DE REPARAR EL PRODUCTO SEGÚN SE ESTIPULA EN LA PRESENTE. El servicio deberá ser suministrado por una compañía de servicio designada por KitchenAid. Esta garantía limitada es válida solamente en Estados Unidos o en Canadá y se aplica solamente cuando el electrodoméstico principal se use en el país en el que se ha comprado. Esta garantía limitada entrará en vigor a partir de la fecha de la compra del consumidor original. Se requiere una prueba de la fecha de compra original para obtener servicio bajo esta garantía limitada.

LO QUE NO ESTÁ CUBIERTO

1. Uso comercial, no residencial o familiar múltiple o uso diferente del indicado en las instrucciones del usuario, del operador o de instalación publicadas.
2. Instrucción a domicilio sobre cómo usar el producto.
3. Servicio para corregir el mantenimiento o la instalación incorrecta del producto, la instalación que no esté de acuerdo con los códigos eléctricos o de plomería o corrección de plomería o instalación eléctrica doméstica (por ejemplo, instalación eléctrica, fusibles o mangueras de entrada de agua del hogar).
4. Piezas de consumo (por ejemplo, focos de luz, baterías, filtros de agua o de aire, soluciones de conservación, etc.).
5. Defectos o daños causados por el uso de piezas o accesorios no legítimos de KitchenAid.
6. Daño causado por accidente, uso indebido, abuso, incendio, inundación, actos fortuitos o el empleo de productos no aprobados por KitchenAid.
7. Reparaciones a piezas o sistemas para corregir el daño o los defectos del producto a causa de reparaciones por servicio no autorizado, alteraciones o modificaciones en el electrodoméstico.
8. Daños estéticos, incluyendo rayaduras, abolladuras, desportilladuras u otro daño al acabado del electrodoméstico a menos que el mismo sea debido a defectos en los materiales o la mano de obra y se le informe a KitchenAid en un lapso de 30 días.
9. Decoloración, herrumbre u oxidación de las superficies producto de entornos corrosivos o cáusticos que incluyen, entre otras cosas, altas concentraciones de sal, humedad elevada o exposición a productos químicos.
10. Pérdida de comida o medicamentos debido a la falla del producto.
11. Recogida o entrega. Este producto está destinado para ser reparado en su hogar.
12. Gastos de viaje o de transporte para prestar servicio en lugares remotos en los cuales no haya disponible un técnico de servicio autorizado por KitchenAid.
13. Remoción o reinstalación de electrodomésticos en lugares inaccesibles o dispositivos empotrados (por ejemplo, adornos, paneles decorativos, pisos, armarios, islas, mostradores, paredes, etc.) que interfieran con el servicio, la remoción o el reemplazo del producto.
14. Servicio técnico o piezas para electrodomésticos con números de serie/modelo originales removidos, alterados o no identificados con facilidad.

El costo de la reparación o del reemplazo bajo estas circunstancias excluidas correrá por cuenta del cliente.

EXCLUSIÓN DE GARANTÍAS IMPLÍCITAS

LAS GARANTÍAS IMPLÍCITAS, INCLUYENDO CUALQUIER GARANTÍA IMPLÍCITA DE COMERCIABILIDAD O GARANTÍA IMPLÍCITA DE CAPACIDAD PARA UN PROPÓSITO PARTICULAR, SERÁN LIMITADAS A UN AÑO O AL PERÍODO MÁS CORTO PERMITIDO POR LEY. Algunos estados y provincias no permiten la limitación de la duración de las garantías implícitas de comerciabilidad o capacidad, de modo que la limitación arriba indicada quizá no le corresponda. Esta garantía le otorga derechos legales específicos y es posible que usted tenga también otros derechos que varían de un estado a otro o de una provincia a otra.

EXCLUSIÓN DE DECLARACIONES FUERA DE LA GARANTÍA

KitchenAid no hace declaraciones acerca de la calidad, durabilidad o necesidad de servicio técnico o reparación de este electrodoméstico principal aparte de las declaraciones incluidas en esta garantía. Si usted desea una garantía con una duración más prolongada o más completa que la garantía limitada que se incluye con este electrodoméstico principal, deberá dirigirse a KitchenAid o a su distribuidor acerca de la compra de una garantía extendida.

LIMITACIÓN DE RECURSOS; EXCLUSIÓN DE DAÑOS INCIDENTALES Y CONSECUENTES

SU ÚNICO Y EXCLUSIVO RECURSO SEGÚN LOS TÉRMINOS DE ESTA GARANTÍA LIMITADA SERÁ EL DE REPARAR EL PRODUCTO SEGÚN SE ESTIPULA EN LA PRESENTE. KITCHENAID NO SE RESPONSABILIZARÁ POR DAÑOS INCIDENTALES O CONSECUENTES. Algunos estados y provincias no permiten la exclusión o limitación de daños incidentales o consecuentes, de modo que estas limitaciones y exclusiones quizás no le correspondan. Esta garantía le otorga derechos legales específicos y es posible que usted tenga también otros derechos que varían de un estado a otro o de una provincia a otra.

SÉCURITÉ DE LA CAVE À VIN

Votre sécurité et celle des autres est très importante.

Nous donnons de nombreux messages de sécurité importants dans ce manuel et sur votre appareil ménager. Assurez-vous de toujours lire tous les messages de sécurité et de vous y conformer.



Voici le symbole d'alerte de sécurité.

Ce symbole d'alerte de sécurité vous signale les dangers potentiels de décès et de blessures graves à vous et à d'autres.

Tous les messages de sécurité suivront le symbole d'alerte de sécurité et le mot "DANGER" ou "AVERTISSEMENT". Ces mots signifient :

⚠ DANGER

Risque possible de décès ou de blessure grave si vous ne suivez pas immédiatement les instructions.

⚠ AVERTISSEMENT

Risque possible de décès ou de blessure grave si vous ne suivez pas les instructions.

Tous les messages de sécurité vous diront quel est le danger potentiel et vous disent comment réduire le risque de blessure et ce qui peut se produire en cas de non-respect des instructions.

IMPORTANTES INSTRUCTIONS DE SÉCURITÉ

AVERTISSEMENT : Pour réduire les risques d'incendie, de choc électrique ou des blessures lors de l'utilisation de la cave à vin, prendre quelques précautions fondamentales, y compris les suivantes :

- Brancher l'appareil sur une prise à 3 alvéoles reliée à la terre.
- Ne pas enlever la broche de liaison à la terre.
- Ne pas utiliser un adaptateur.
- Ne pas utiliser un câble de rallonge.
- Débrancher la source de courant électrique avant l'entretien.
- Replacer pièces et panneaux avant de faire la remise en marche.
- Enlever les portes de votre vieille cave à vin.
- Utiliser un produit de nettoyage ininflammable.
- Garder les matériaux et les vapeurs inflammables, telle que l'essence, loin de la cave à vin.
- Utiliser deux ou plus de personnes pour déplacer et installer la cave à vin.

CONSERVEZ CES INSTRUCTIONS

Avertissements de la proposition 65 de l'État de Californie :

AVERTISSEMENT : Ce produit contient au moins un produit chimique connu par l'État de Californie pour être à l'origine de cancers.

AVERTISSEMENT : Ce produit contient au moins un produit chimique connu par l'État de Californie pour être à l'origine de malformations et autres déficiences de naissance.

Mise au rebut de votre vieille cave à vin

⚠ AVERTISSEMENT

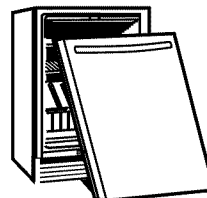
Risque de suffoquer

Enlever la porte de votre vieille cave à vin.

Le non-respect de cette instruction peut causer un décès ou des lésions cérébrales.

Avant de jeter votre vieille cave à vin :

- Enlever la porte.
- Laisser les tablettes en place de sorte que les enfants ne puissent pas y pénétrer facilement.



IMPORTANT : L'emprisonnement et l'étouffement des enfants ne sont pas un problème du passé. Les caves à vin jetées ou abandonnées sont encore dangereuses, même si elles sont laissées abandonnées pendant "quelques jours seulement". Si vous vous débarrassez de votre vieille cave à vin, veuillez suivre les instructions suivantes pour aider à éviter les accidents.

Renseignements importants à propos de la mise au rebut des fluides réfrigérants :

Mettre le réfrigérateur au rebut conformément à la réglementation fédérale et locale. Les fluides réfrigérants doivent être évacués par un technicien certifié et agréé par l'EPA conformément aux procédures établies.

EXIGENCES D'INSTALLATION

Outillage

Outils nécessaires

Rassembler les outils et pièces nécessaires avant d'entreprendre l'installation. Lire et observer les instructions fournies avec chacun des outils de la liste ci-dessous.

- Perceuse sans fil
- Mèche à bois de $\frac{1}{4}$ " et $\frac{3}{8}$ ", à vrille d'amorçage
- Tournevis Phillips
- Outil rotatif
- Ciseaux
- Serre-joint
- Ruban adhésif de masquage
- Mètre-ruban
- Vaseline

Pièces nécessaires

- Cadre de porte décoratif personnalisé – voir "Cadre décoratif - arrière".

Pièces fournies

- Vis à tête plate (bombée M4x34 taraudeuse) (8)

Exigences d'emplacement

⚠ AVERTISSEMENT



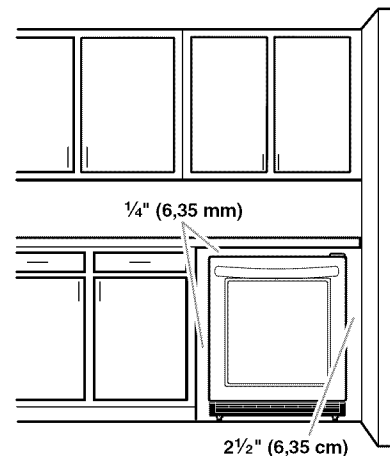
Risque d'explosion

Garder les matériaux et les vapeurs inflammables, telle que l'essence, loin de la cave à vin.

Le non-respect de cette instruction peut causer un décès, une explosion ou un incendie.

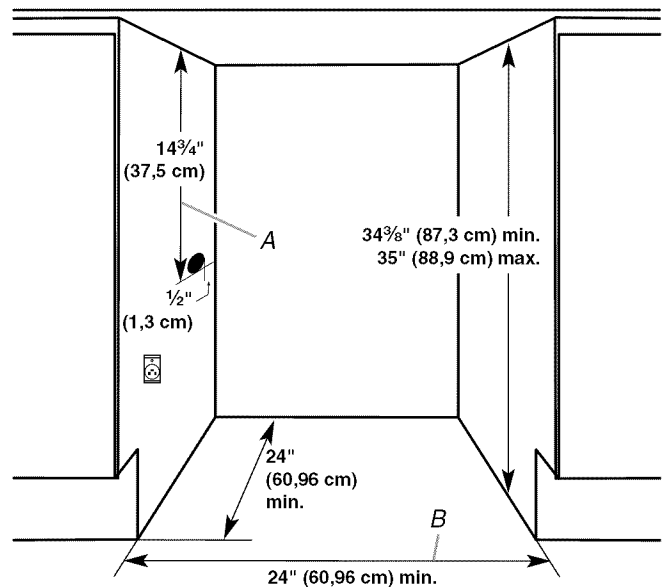
Pour obtenir une aération appropriée pour votre la cave à vin, laisser un espace de $\frac{1}{4}$ " (6,35 mm) de chaque côté et au sommet. En cas d'installation de votre cave à vin près d'un mur fixe, laisser un minimum de $2\frac{1}{2}$ " (6,35 cm) du côté de la charnière pour permettre à la porte de s'ouvrir sans obstruction.

REMARQUE : Il est conseillé de ne pas installer la cave à vin près d'un four, d'un radiateur ou de toute autre source de chaleur. Ne pas installer l'appareil en un endroit où la température pourrait descendre en-dessous de 55°F (13°C). Pour le meilleur rendement, ne pas installer la cave à vin derrière une porte d'armoire ni obstruer la grille de la base.



Dimensions de l'ouverture

- Les dimensions de hauteur sont illustrées avec les pieds de nivellement déployés à la hauteur minimum.
REMARQUE : Lorsque les pieds de nivellement sont totalement déployés, ajouter $\frac{5}{8}$ " (15 mm) à la hauteur totale.
- Si le plancher de l'ouverture n'est pas au même niveau que le plancher de la cuisine, placer une cale dans l'ouverture pour qu'elle soit au même niveau que le plancher de la cuisine.



Dimensions critiques :

A. Trou pour les raccords - 14 $\frac{3}{4}$ " (37,5 cm)

B. Largeur de l'ouverture - 24" (60,96 cm) min.

Cadre décoratif personnalisé

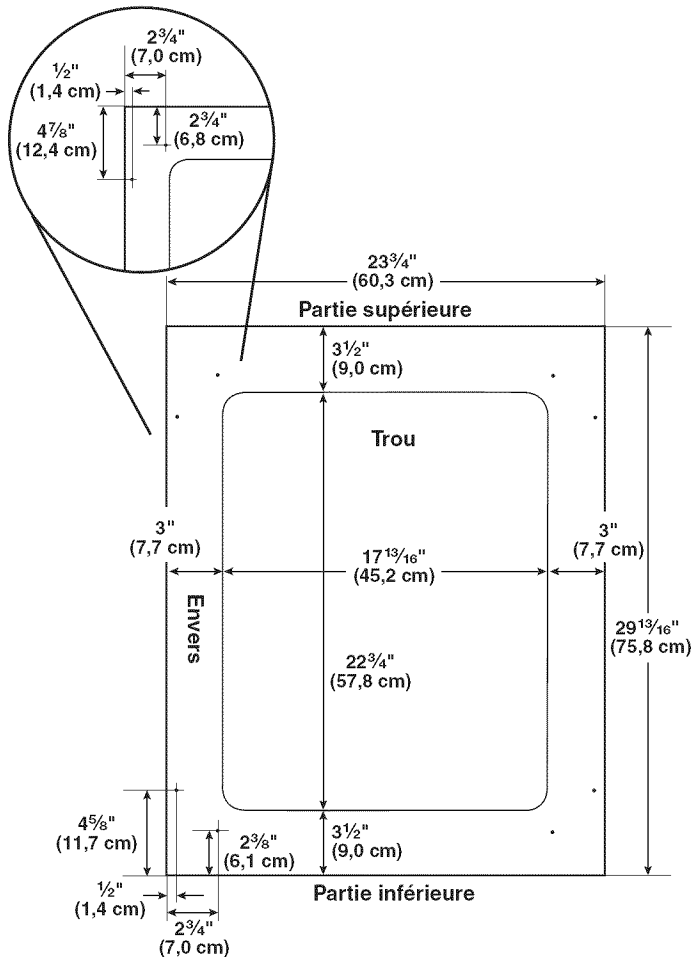
Pour l'installation d'un cadre décoratif personnalisé, l'installateur devra créer lui-même le cadre ou consulter un ébéniste ou menuisier qualifié. Voir le dessin des dimensions pour les spécifications du cadre.

IMPORTANT :

- L'épaisseur du cadre en bois doit être de $\frac{3}{4}$ " (19 mm).
- Le poids du cadre décoratif ne doit pas dépasser 10 lbs (4,54 kg). Les cadres décoratifs excédant le poids recommandé peuvent endommager votre appareil.
- Overlay frame drawings show the rear view of the frame.

Cadre décoratif – vue arrière

1. Créer un cadre décoratif personnalisé en fonction des dimensions indiquées.

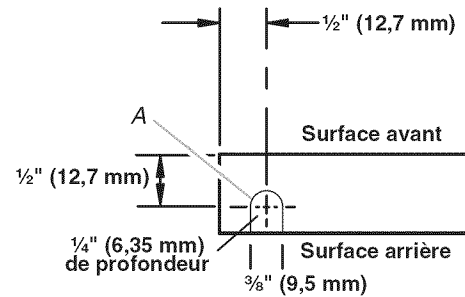


Trous de charnière de porte

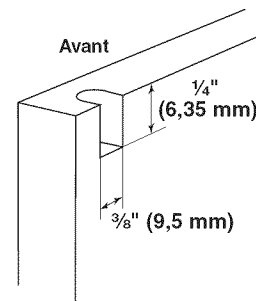
- Les vues du trou (supérieur et inférieur) de l'axe de charnière correspondent à une charnière de côté droit. Considérer l'image inverse dans le cas d'une charnière de côté gauche.
- On recommande l'utilisation d'un serre-joint et de deux cales de bois (à l'avant et à l'arrière) pour renforcer le cadre décoratif au moment de percer les trous de l'axe de charnière.

1. À l'aide d'une mèche de bois de $\frac{3}{8}$ " à vrille d'amorçage, percer un trou de $\frac{1}{4}$ " (6,35 mm) de profondeur dans la partie supérieure du cadre décoratif pour fixer l'axe de charnière supérieure. Retirer l'excès de bois autour du trou à l'aide de l'outil rotatif pour achever le creux de la charnière comme illustré.

Vue de dessus

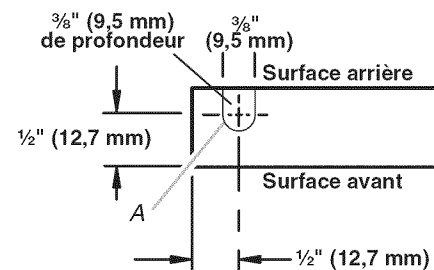


A. Diamètre de $\frac{3}{8}$ " (9,5 mm)

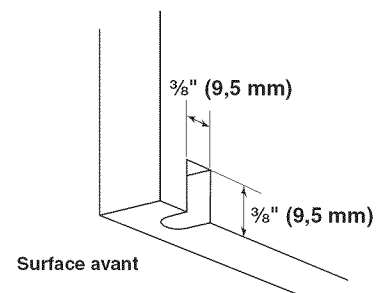


2. À l'aide d'une mèche à bois de $\frac{3}{8}$ " à vrille d'amorçage, percer un trou de $\frac{3}{8}$ " (9,5 mm) de profondeur dans la partie inférieure du cadre décoratif pour l'axe de charnière inférieure. Retirer l'excès de bois autour du trou à l'aide de l'outil rotatif pour achever le creux de la charnière comme illustré.

Vue inférieure



A. Diamètre de $\frac{3}{8}$ " (9,5 mm)



⚠️ AVERTISSEMENT



Risque de choc électrique

Brancher sur une prise à 3 alvéoles reliée à la terre.

Ne pas enlever la broche de liaison à la terre.

Ne pas utiliser un adaptateur.

Ne pas utiliser un câble de rallonge.

Le non-respect de ces instructions peut causer un décès, un incendie ou un choc électrique.

Avant de placer la cave à vin à son emplacement final, il est important de vous assurer d'avoir la connexion électrique appropriée.

Méthode recommandée de mise à la terre

Une source d'alimentation de 115 volts, 60 Hz, type 15 ou 20 ampères CA seulement, protégée par fusibles et adéquatement mise à la terre est nécessaire. Il est recommandé d'utiliser un circuit distinct pour alimenter uniquement votre cave à vin. Utiliser une prise murale qui ne peut pas être mise hors circuit à l'aide d'un commutateur. Ne pas utiliser un câble de rallonge.

REMARQUE : Avant d'exécuter tout type d'installation, nettoyage ou remplacement d'une ampoule d'éclairage, débrancher la cave à vin ou déconnecter la source de courant électrique.

INSTRUCTIONS D'INSTALLATION

Déballage de la cave à vin

⚠️ AVERTISSEMENT

Risque du poids excessif

Utiliser deux ou plus de personnes pour déplacer et installer la cave à vin.

Le non-respect de cette instruction peut causer une blessure au dos ou d'autre blessure.

Enlèvement des matériaux d'emballage

- Enlever le ruban adhésif et la colle des surfaces de la cave à vin avant de la mettre en marche. Frotter une petite quantité de savon liquide pour la vaisselle sur l'adhésif avec les doigts. Rincer à l'eau tiède et essuyer.
- Ne pas utiliser d'instruments coupants, d'alcool à friction, de liquides inflammables ou de nettoyants abrasifs pour enlever le ruban adhésif ou la colle. Ces produits peuvent endommager la surface de votre cave à vin. Pour plus de renseignements, voir "Sécurité de la cave à vin".
- Jeter ou recycler tous les matériaux d'emballage.

Déplacement de votre cave à vin :

Votre cave à vin est lourde. Lors du déplacement de la cave à vin pour le nettoyage ou le service, veiller à recouvrir le plancher avec du carton ou un panneau de fibre dur pour éviter qu'il ne subisse tout dommage. Toujours tirer la cave à vin tout droit lors du déplacement. Ne pas incliner la cave à vin d'un côté ou de l'autre ni la "faire marcher" en essayant de la déplacer car le plancher pourrait être endommagé.

Nettoyage avant l'utilisation

Après avoir enlevé tous les matériaux d'emballage, nettoyer l'intérieur de la cave à vin avant de l'utiliser. Voir les instructions de nettoyage dans "Entretien de la cave à vin".

Installation du cadre décoratif personnalisé

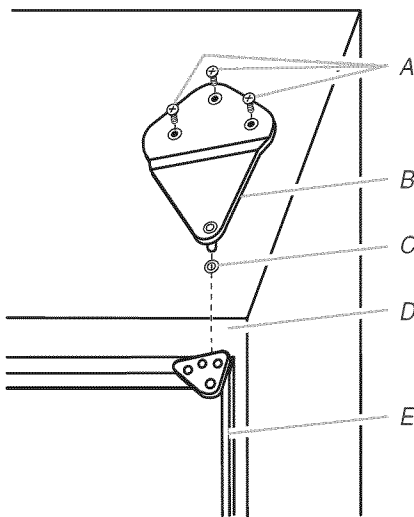
IMPORTANT :

- Réaliser le cadre décoratif personnalisé selon les spécifications de la section "Cadre décoratif personnalisé".
- KitchenAid n'est pas responsable des opérations d'enlèvement et de réinstallation des moulures ou cadres décoratifs qui entraveraient l'accès au réfrigérateur lors d'une intervention de réparation.

Dépose de la porte

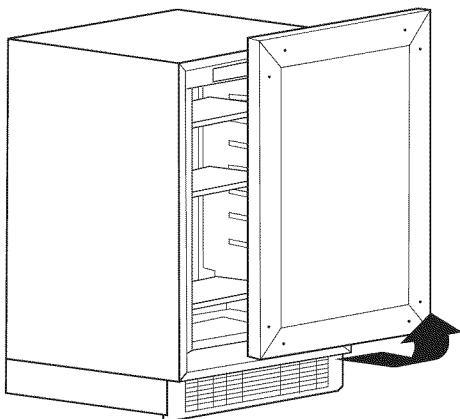
IMPORTANT : Ne pas ôter la graisse de la rondelle, de la cale d'espacement supérieure ou de l'axe de charnière supérieure. Conserver à part la charnière supérieure, la cale d'espacement supérieure et la rondelle pour utilisation ultérieure.

1. À l'aide d'un tournevis Phillips, retirer les trois vis de la charnière supérieure. Ôter la charnière supérieure.



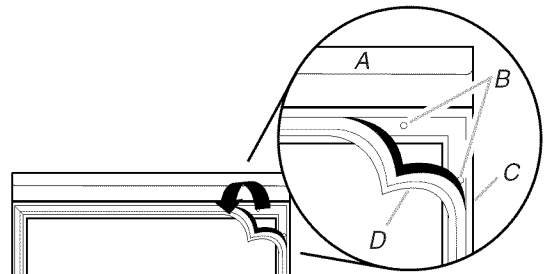
- A. Vis (3)
- B. Charnière supérieure
- C. Rondelle
- D. Cale d'espacement supérieure
- E. Porte

2. Retirer la rondelle et la conserver dans un endroit sûr pour utilisation ultérieure.
3. Ouvrir la porte. Soulever l'avant de la porte; tirer tout droit pour la retirer - voir l'illustration.



Fixation du cadre décoratif

1. Tirer doucement sur le joint d'étanchéité des quatre côtés. Tirer suffisamment loin pour que les deux vis soient visibles de chaque côté (huit vis au total). Retirer les huit vis.



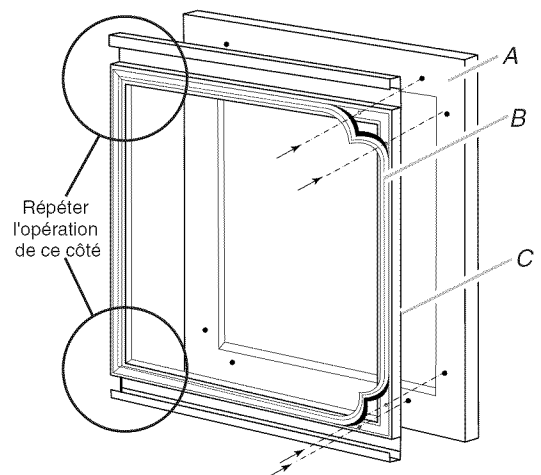
- A. Plaque de charnière
- B. Vis
- C. Porte
- D. Joint

2. Positionner le cadre décoratif de manière à ce que les trous du cadre soient alignés avec les trous du cadre de la porte.

REMARQUE : Les serre-joints sont recommandés pour maintenir l'alignement entre le cadre décoratif et le cadre de la porte et pour éviter aux pièces de bouger.

3. Une fois que tous les trous ont été alignés, fixer le cadre personnalisé sur la porte à l'aide des vis fournies comme illustré.

REMARQUE : Les vis utilisées à cette étape se trouvent dans un petit sac en plastique situé à l'intérieur du réfrigérateur.



- A. Cadre personnalisé
- B. Joint d'étanchéité
- C. Cadre de porte

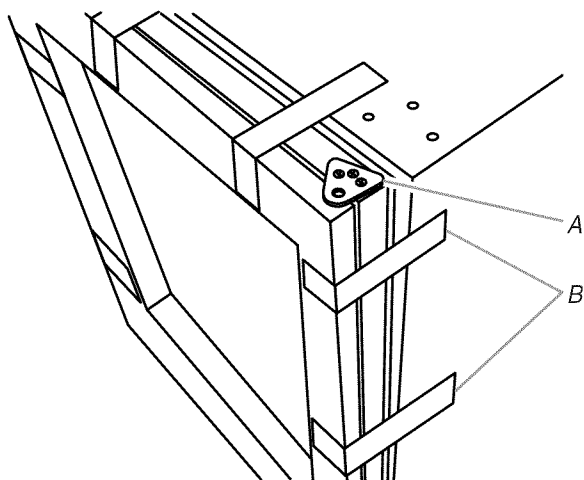
Installation de la porte

IMPORTANT : Pour garantir un fonctionnement correct, graisser la charnière supérieure, la cale d'espacement supérieure et la rondelle avec de la vaseline.

1. Avec de la vaseline, graisser le trou de la cale d'espacement inférieure et l'axe de charnière inférieure. Aligner la rondelle avec le trou de la cale d'espacement inférieure.
2. Installer la porte en insérant l'axe de charnière inférieure dans le trou de la cale d'espacement inférieure. Veiller à ce que la rondelle reste en place. Abaisser la porte tout droit, lentement et uniformément, sur l'axe de charnière inférieure.
3. Fermer la porte. Veiller à ce que la porte s'aligne correctement avec la caisse.

REMARQUE : Fournir un support additionnel à la porte lors du déplacement des charnières. La force d'attraction des aimants de la porte ne suffit pas à la maintenir en place.

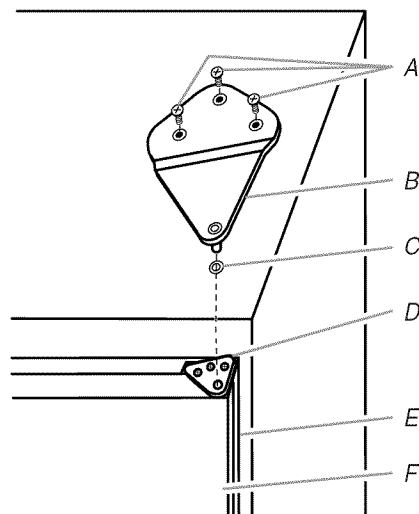
4. À l'aide de ruban adhésif de masquage, fixer la porte à la caisse avant d'installer la cale d'espacement supérieure - voir l'illustration.



A. Cale d'espacement supérieure
B. Ruban adhésif de masquage

5. Placer la rondelle sur la cale d'espacement supérieure et aligner les trous. Graisser l'axe de charnière supérieure, la cale d'espacement supérieure et la rondelle avec de la vaseline. Insérer l'axe de charnière supérieure dans la rondelle et la cale d'espacement supérieure.

6. À l'aide d'un tournevis Phillips et de trois vis, fixer la charnière supérieure à la caisse - voir l'illustration.



A. Vis (3)
B. Charnière supérieure
C. Rondelle
D. Cale d'espacement supérieure
E. Porte
F. Cadre décoratif

7. Ôter le ruban adhésif de masquage de la porte.

Fermeture de la porte

Fermeture de la porte

La cave à vin dispose de quatre pieds de réglage de l'aplomb. Si la cave à vin semble instable ou si vous désirez que la porte se ferme plus facilement, ajuster l'inclinaison de la cave à vin en observant les instructions ci-dessous.

⚠ AVERTISSEMENT



Risque de choc électrique

Brancher sur une prise à 3 alvéoles reliée à la terre.

Ne pas enlever la broche de liaison à la terre.

Ne pas utiliser un adaptateur.

Ne pas utiliser un câble de rallonge.

Le non-respect de ces instructions peut causer un décès, un incendie ou un choc électrique.

1. Brancher sur une prise à 3 alvéoles reliée à la terre.

⚠ AVERTISSEMENT

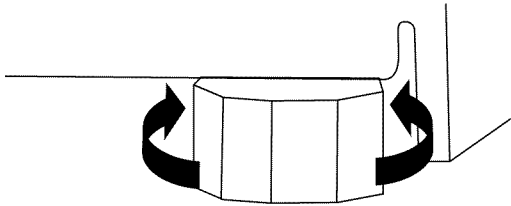
Risque du poids excessif

Utiliser deux ou plus de personnes pour déplacer et installer la cave à vin.

Le non-respect de cette instruction peut causer une blessure au dos ou d'autre blessure.

- Déplacer la cave à vin à sa position finale.
- Tourner les pieds de réglage de l'aplomb vers la droite pour abaisser la cave à vin ou tourner les pieds de réglage de l'aplomb vers la gauche pour la soulever. Il peut être nécessaire de tourner les pieds de réglage de l'aplomb plusieurs fois pour ajuster l'inclinaison de la cave à vin.

REMARQUE : Si une autre personne pousse le haut de la cave à vin, le poids devient moins lourd sur les pieds de réglage de l'aplomb, ce qui rend plus facile l'ajustement des pieds de réglage de l'aplomb.



- Ouvrir la porte et s'assurer qu'elle ferme comme vous le désirez. Sinon, incliner la cave à vin un peu plus vers l'arrière en tournant les deux vis de réglage de l'aplomb avant vers la droite. Plusieurs tours peuvent être nécessaires et il convient de tourner les deux vis de réglage de l'aplomb de façon égale.

UTILISATION DE LA CAVE À VIN

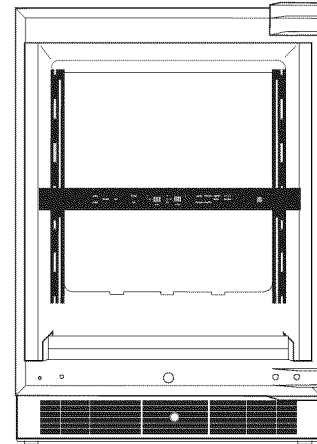
Sons normaux

Il est possible que la cave à vin neuve émette des sons que l'appareil précédent ne produisait pas. Comme ces sons sont nouveaux, ils peuvent vous inquiéter. La plupart de ces nouveaux sons sont normaux. Les sons peuvent vous sembler plus forts avec des surfaces dures telles que le plancher et les structures adjacentes. Les descriptions suivantes indiquent les genres de sons et leur cause possible.

- Votre cave à vin est conçue pour fonctionner plus efficacement afin de conserver le vin aux températures désirées et pour minimiser la consommation d'énergie. Le compresseur et les ventilateurs très efficaces peuvent faire fonctionner votre cave à vin plus longtemps que l'ancienne. Il se peut également que vous entendiez un bruit saccadé ou aigu provenant du compresseur ou des ventilateurs qui s'ajustent pour optimiser la performance.
- Des vibrations sonores peuvent provenir de l'écoulement du réfrigérant ou d'articles placés dans la cave à vin.
- À la fin de chaque programme, vous pouvez entendre un gargouillement attribuable au réfrigérant qui se trouve dans votre cave à vin.
- Vous pouvez entendre l'écoulement de l'eau dans le plateau de récupération lorsque la cave à vin dégivre.
- Vous pouvez entendre des déclics lorsque la cave à vin se met en marche ou s'arrête.

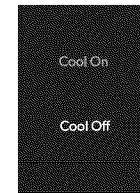
Utilisation des commandes

Le panneau de contrôle de la cave à vin se trouve sur le séparateur (montant) central de la cave à vin. La commande de la cave à vin ne comporte aucune pièce ou aucun bouton mécanique. Lorsqu'elle est déconnectée, la commande n'affiche rien et peut être difficile à repérer.



Mise en marche/arrêt de la commande

- La première fois que la cave à vin est branchée, la commande est réglée en mode Cool Off (refroidissement désactivé). Cool On (refroidissement activé) et Cool Off (refroidissement désactivé) sont les seules options affichées.



- Appuyer sur COOL ON (refroidissement activé) pour mettre en marche la cave à vin. Tous les menus et les réglages de température recommandés s'affichent.



- Le clavier tactile de température et de pré-réglage à gauche commande la température du compartiment supérieur.
- Le clavier tactile de température et de pré-réglage à droite commande la température du compartiment inférieur.

Visualisation de la température en degrés Celsius

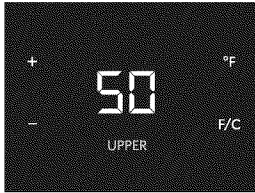
- Appuyer sur la touche tactile F/C pour alterner l'affichage de la température en degrés Fahrenheit ou en degrés Celsius. Le témoin correspondant s'allumera.



A. Touche tactile F/C

Réglage de la commande

Lorsque l'on met en marche la cave à vin pour la première fois, la température est réglée par défaut sur le réglage recommandé. Il y a deux commandes réglables de la température, une pour chaque compartiment.



- Pour ajuster les réglages de température, appuyer sur la touche “+” (plus) ou “-” (moins) jusqu'à ce que la température désirée soit atteinte.

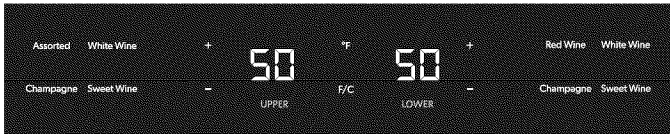
REMARQUE : La température réglée pour la cave à vin est de 50°F (10°C) pour le compartiment supérieur et le compartiment inférieur. La gamme de réglage pour le compartiment supérieur varie de 42°F à 54°F (5°C à 12°C) et de 42°F à 64°F (5°C à 17°C) pour le compartiment inférieur.

La commande est réglée correctement lorsque le vin est à la température idéale.

REMARQUE : Attendre au moins 24 heures entre les ajustements pour que les produits s'adaptent. Vérifier de nouveau la température avant de procéder à d'autres ajustements.

Utilisation des pré-réglages

Pour votre commodité, la cave à vin est également équipée de commandes pré-réglées à des températures d'entreposage recommandées pour des vins spécifiques.



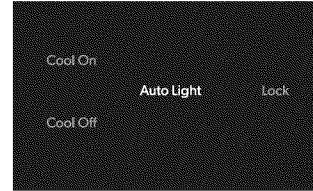
En appuyant sur une option de pré-réglage, la température sera réglée au niveau recommandé pour un vin spécifique :

- Assortiment : 54°F (12°C)
- Champagne : 46° (7°C)
- Vin rouge : 64°F (17°C)
- Vin doux : 42°F (5°C)
- Vin blanc : 50°F (10°C)

Éclairage automatique

La cave à vin est équipée d'un détecteur qui illumine automatiquement l'intérieur lorsque quelqu'un passe devant. Lorsqu'aucun mouvement n'est plus détecté, la lampe d'intérieur s'éteint au bout de 2 minutes.

- Appuyer sur l'option Auto Light (lampe auto) pour activer cette caractéristique.



- Lorsque la fonction Auto Light (lampe auto) n'est pas activée, la lampe d'intérieur ne s'allume que lorsque la porte est ouverte.

REMARQUES :

- La température de la cave à vin augmente légèrement si la lumière est laissée allumée pendant une période prolongée.
- La lampe est une DEL qui n'a pas besoin d'être remplacée par l'utilisateur. Toutefois, si la DEL ne s'allume pas quand on ouvre la porte, appeler le service de dépannage pour vérifier le problème et remplacer la lampe si nécessaire. Voir “Assistance ou service” pour savoir qui contacter.

Mode Sabbat

Le mode Sabbat est conçu pour les personnes qui partent en voyage ou pour celles dont les pratiques religieuses requièrent l'extinction des lumières. En sélectionnant cette caractéristique, les points de réglage de température restent inchangés mais les lumières du panneau de commande, les lampes d'intérieur et les signaux sonores du panneau de commande sont désactivés. Pour un fonctionnement plus efficace de la cave à vin, il est recommandé de sortir du mode Sabbat lorsque celui-ci n'est plus nécessaire.



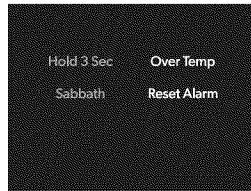
- Appuyer sur SABBATH (Sabbat) pendant 3 secondes pour activer la caractéristique. Après le compte à rebours de 3 secondes, la caractéristique s'active et tous les autres affichages s'éteignent.
- Appuyer sur SABBATH (Sabbat) pendant 3 secondes pour désactiver la caractéristique et activer l'affichage.

Porte ouverte

Si la porte est laissée ouverte pendant plus de 5 minutes, l'avertisseur retentira toutes les 2 minutes jusqu'à ce que l'on ferme la porte ou que l'on appuie sur n'importe quelle touche.

Alarme de dépassement de température

La caractéristique de dépassement de la température est conçue pour vous avertir lorsque la température de la cave à vin dépasse 70°F (21°C) pendant plus de 4 heures. L'alarme sonore s'éteint automatiquement lorsque la température revient à la normale. Pour vous avertir d'un dépassement de température, le témoin lumineux continue de clignoter jusqu'à ce que l'on appuie sur la touche Reset Alarm (réinitialisation de l'alarme).

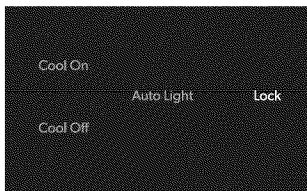


Si le dépassement de température persiste après une réinitialisation de l'alarme de dépassement de température, le témoin lumineux continue de se réactiver toutes les 4 heures jusqu'à ce que la température de la cave à vin descende en-dessous de 70°F (21°C).

REMARQUE : Ces caractéristiques ne s'affichent pas sur la commande à moins que la température de la cave à vin dépasse 70°F (21°C) et que l'alarme doit être réinitialisée.

Mode de verrouillage

Le mode de verrouillage désactive toutes les autres options et empêche de modifier les réglages de température souhaités.



- Pour activer le mode de verrouillage, appuyer sur LOCK (verrouillage) pendant 3 secondes. Après le compte à rebours, tous les autres affichages s'éteignent et deviennent indisponibles sauf Cool On (refroidissement activé), Cool Off (refroidissement désactivé) et Lock (verrouillage).

Mode d'exposition

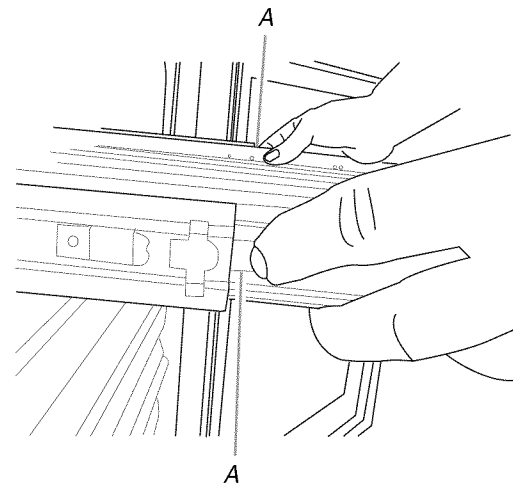
Ce mode est utilisé uniquement lorsque la cave à vin est en exposition dans le magasin. Si vous activez involontairement le mode d'exposition, "Cool Off" (refroidissement désactivé) s'allume sur l'affichage et les commandes semblent fonctionner. Sortir du mode d'exposition en appuyant simultanément sur COOL ON (refroidissement activé) et SABBATH (Sabbat) pendant 3 secondes.

Casiers à vin

Enlèvement et réinstallation du casier à vin

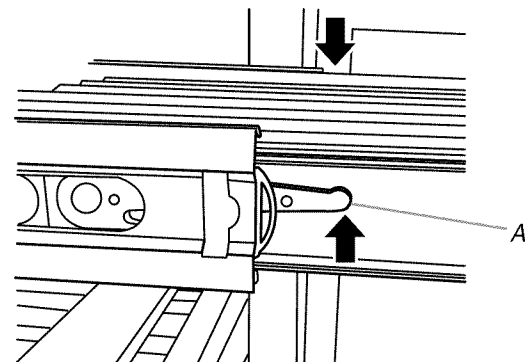
1. Tirer le casier vers l'avant jusqu'à la butée.
2. Dégager le casier de ses supports.

- **Style 1** - Enfoncer les onglets pour dégager le casier.



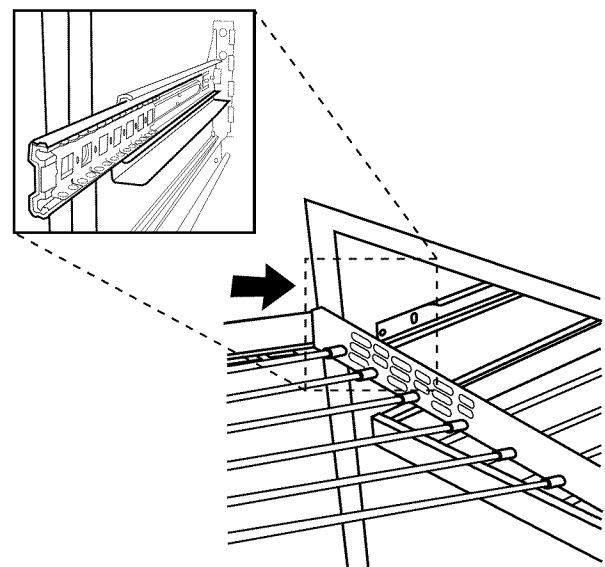
A. Onglets

- **Style 2** - Relever la manette de gauche tout en appuyant sur la manette de droite pour dégager le casier.



A. Manette

3. Continuer à tirer le casier à vin vers l'avant et le soulever pour le sortir de ses supports.
4. Réinstaller le casier en l'insérant dans les supports et en le faisant glisser vers l'arrière de la cave à vin.



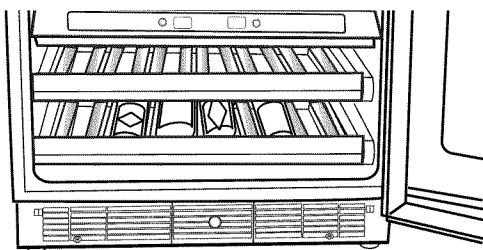
Stockage dans la cave à vin

REMARQUES :

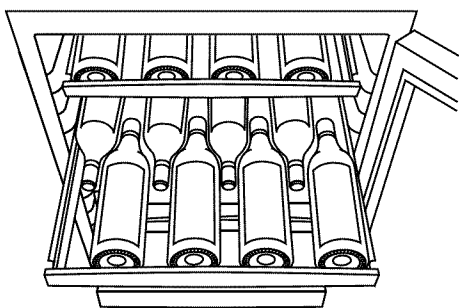
- Pour une utilisation optimale de l'espace de stockage dans la cave à vin, placer les bouteilles de vin blanc dans le casier supérieur et les bouteilles de vin rouge dans le casier inférieur de la cave à vin.
- Les présentoirs à vin peuvent être remplis en plaçant les bouteilles avec le goulot orienté vers l'avant ou vers l'arrière de la cave à vin, néanmoins, afin d'optimiser l'espace, le goulot des bouteilles adjacentes devrait être orienté dans le sens opposé.

Stockage dans la cave à vin :

1. Débuter le stockage dans la cave à vin par le présentoir du bas.
2. En commençant par le côté gauche, placer la première bouteille sur le bas du casier, le goulot de la bouteille vers l'avant de la cave à vin.
3. Placer la bouteille suivante à côté, le goulot de la bouteille vers l'arrière de la cave à vin. Alternier ainsi l'orientation des bouteilles jusqu'à ce que le casier soit plein.



4. Insérer le casier inférieur en le faisant glisser et tirer le casier suivant vers l'extérieur.
5. Continuer le stockage des casiers suivants un à un tel que décrit dans les étapes ci-dessus.



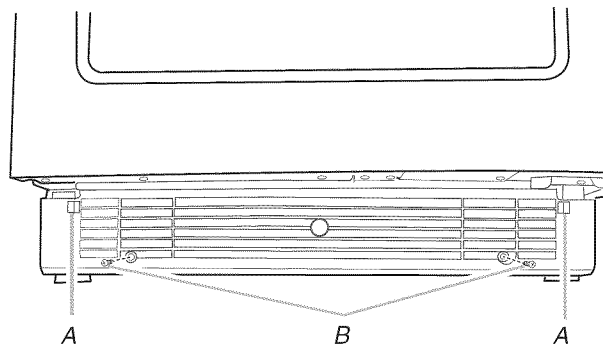
ENTRETIEN DE LA CAVE À VIN

Grille de la base

L'utilisateur doit retirer la grille de la base pour pouvoir accéder aux serpentins du condenseur lors du nettoyage.

Dépose de la grille de la base :

1. Ouvrir la porte de la cave à vin.
2. À l'aide d'un tournevis Phillips, ôter les deux vis.
3. Pousser les deux onglets vers le centre pour dégager la grille de la base de la cave à vin et enlever.



A. Onglets
B. Vis

Réinstallation de la grille de la base :

1. Ouvrir la porte de la cave à vin.
2. Positionner la grille de la base de façon à ce que les onglets soient alignés et que la grille de la base s'emboîte. Réinstaller les deux vis. Serrer les vis.

Nettoyage

AVERTISSEMENT



Risque d'explosion

Utiliser un produit de nettoyage ininflammable.

Le non-respect de cette instruction peut causer un décès, une explosion ou un incendie.

Nettoyer la cave à vin environ une fois par mois pour empêcher une accumulation d'odeurs. Essuyer les renversements immédiatement.

Nettoyage de la cave à vin :

1. Débrancher la cave à vin ou déconnecter la source de courant électrique.
2. Retirer tous les casiers de l'intérieur de la cave à vin.

3. Laver à la main, rincer et sécher les pièces amovibles et les surfaces internes à fond. Utiliser une éponge propre ou un linge doux et un détergent doux dans de l'eau tiède.

- Afin d'éviter d'endommager les tiges en bois et les garnitures, les essuyer avec une éponge propre ou un chiffon doux et de l'eau tiède. Ne pas utiliser de détergent ni immerger le casier tout entier dans l'eau lors du nettoyage.
- Ne pas utiliser de nettoyeurs forts ou abrasifs tels que les nettoyeurs à vitre en atomiseurs, nettoyeurs à récurer, liquides inflammables, cires nettoyantes, détergents concentrés, produits de blanchiment ou nettoyeurs contenant du pétrole sur les pièces en plastique, les garnitures intérieures et de portes ou les joints de portes. Ne pas utiliser d'essuie-tout, tampons à récurer ou autres outils de nettoyage puissants. Ces produits risquent d'égratigner ou d'endommager les matériaux.
- Pour aider à éliminer les odeurs, on peut laver les parois intérieures avec un mélange d'eau tiède et de bicarbonate de soude (2 c. à soupe pour 1 pinte [26 g pour 0,95 L] d'eau).

4. Laver les surfaces extérieures peintes ou en acier inoxydable avec une éponge propre ou un linge doux et un détergent doux dans de l'eau tiède. Ne pas utiliser de produits de nettoyage forts ou abrasifs, ni de nettoyeurs à base de chlore. Ces produits risquent d'égratigner ou d'endommager les matériaux. Sécher parfaitement avec un linge doux.

REMARQUE : Pour que votre cave à vin en acier inoxydable conserve son aspect neuf et pour enlever les petites égratignures ou marques, il est suggéré d'utiliser le nettoyant et poli pour acier inoxydable approuvé par le fabricant. Pour commander le nettoyant, voir "Accessoires".

IMPORTANT : Ce nettoyant doit être utilisé sur les pièces en acier inoxydable uniquement!

Veiller à ce que le nettoyant et poli pour acier inoxydable n'entre pas en contact avec les pièces de plastique telles que garnitures, couvercles de distributeurs ou joints de porte. En cas de contact non intentionnel, nettoyer la pièce de plastique avec une éponge et un détergent doux et de l'eau tiède. Sécher parfaitement avec un linge doux.

5. Remettre les casiers en place.

6. Nettoyer régulièrement les serpentins du condenseur. Ils sont situés derrière la grille de la base. Il se peut que les serpentins aient besoin d'être nettoyés tous les deux mois. Ce nettoyage peut aider à économiser de l'énergie.

- Enlever la grille de la base. Voir "Grille de la base".
- Employer un aspirateur avec un accessoire long pour nettoyer les serpentins du condenseur lorsqu'ils sont sales ou poussiéreux.
- Réinstaller la grille de la base.

7. Brancher la cave à vin ou reconnecter la source de courant électrique.

Précautions à prendre pour les vacances et avant un déménagement

Vacances

Si vous choisissez d'arrêter la cave à vin avant de partir, suivre ces étapes.

1. Enlever toutes les bouteilles de la cave à vin.
2. Débrancher la cave à vin.
3. Nettoyer la cave à vin. Voir "Nettoyage".
4. À l'aide de ruban adhésif, placer un bloc de caoutchouc ou de bois dans la partie supérieure de la porte de façon à ce qu'elle soit suffisamment ouverte pour permettre l'entrée de l'air à l'intérieur, afin d'éviter l'accumulation d'odeurs ou de moisissure.

Déménagement

En cas de déménagement et de déplacement de la cave à vin dans une nouvelle habitation, suivre ces étapes pour préparer le déménagement.

1. Enlever toutes les bouteilles de la cave à vin.
2. Débrancher la cave à vin.
3. Nettoyer, essuyer et sécher à fond.
4. Retirer toutes les pièces amovibles, bien les envelopper et les attacher ensemble à l'aide de ruban adhésif pour qu'elles ne bougent pas ni ne s'entrechoquent durant le déménagement.
5. Fermer les portes à l'aide de ruban adhésif et fixer le cordon d'alimentation à la cave à vin.

Lorsque vous arriverez à votre nouvelle habitation, remettre tout en place et consulter la section "Instructions d'installation" pour les instructions de préparation.

DÉPANNAGE

Essayer les solutions suggérées ici d'abord afin d'éviter le coût d'une visite de service non nécessaire.

Votre cave à vin ne fonctionne pas

AVERTISSEMENT



Risque de choc électrique

Brancher sur une prise à 3 alvéoles reliée à la terre.

Ne pas enlever la broche de liaison à la terre.

Ne pas utiliser un adaptateur.

Ne pas utiliser un câble de rallonge.

Le non-respect de ces instructions peut causer un décès, un incendie ou un choc électrique.

- **Le cordon d'alimentation électrique est-il débranché?** Brancher sur une prise à 3 alvéoles reliée à la terre.
- **Un fusible est-il grillé ou le disjoncteur s'est-il déclenché?** Remplacer le fusible ou réenclencher le disjoncteur.
- **La commande de la cave à vin est-elle réglée à la position OFF (arrêt)?** Voir "Utilisation des commandes".

Le moteur semble fonctionner excessivement

- **La température ambiante est-elle plus élevée que d'habitude?** Prévoir que le moteur fonctionnera plus longtemps dans des conditions de chaleur. Pour des températures extérieures normales, prévoir que le moteur fonctionne à peu près 40 % à 80 % du temps. Dans des conditions plus chaudes, prévoir un fonctionnement encore plus fréquent.
- **La porte est-elle ouverte fréquemment?** Prévoir que le moteur fonctionnera plus longtemps dans ce cas. Afin de conserver de l'énergie, essayer de sortir de la cave à vin tout ce dont vous avez besoin en une fois, garder les bouteilles de vin avec l'étiquette orientée vers le haut de sorte qu'elles soient faciles à trouver et fermer la porte dès que le vin a été retiré.
- **Le réglage est-il correct pour les conditions existantes?** Voir "Utilisation des commandes".
- **La porte est-elle bien fermée?** Pousser la porte pour qu'elle soit bien fermée. Si elle ne ferme pas complètement, voir "La porte ne ferme pas complètement" plus loin dans cette section.
- **Les serpentins du condenseur sont-ils sales?** Cette situation fait obstruction au transfert de l'air et fait travailler davantage le moteur. Nettoyer les serpentins du condenseur. Voir "Nettoyage".

La température est trop élevée

- **La porte est-elle ouverte fréquemment?** Prévoir que la cave à vin deviendra tiède dans ce cas. Pour garder la cave à vin froide, essayer de sortir de la cave à vin tout ce dont vous avez besoin en une fois, garder les bouteilles de vin avec l'étiquette orientée vers le haut de sorte qu'elles soient faciles à trouver et fermer la porte dès que le vin a été retiré.
- **Le réglage est-il correct pour les conditions existantes?** Voir "Utilisation des commandes".
- **La grille de la base est-elle obstruée?** Pour un rendement optimal, ne pas installer la cave à vin derrière une porte de placard ni bloquer la grille de la base.

Il existe une accumulation d'humidité à l'intérieur

- **La porte est-elle ouverte fréquemment?** Pour éviter l'accumulation d'humidité, essayer de sortir de la cave à vin tout ce dont vous avez besoin en une fois, garder les bouteilles de vin avec l'étiquette orientée vers le haut de sorte qu'elles soient faciles à trouver et fermer la porte dès que le vin a été retiré. Lorsque la porte est ouverte, l'humidité de l'air extérieur pénètre dans la cave à vin. Plus la porte est ouverte, plus l'humidité s'accumule rapidement, surtout lorsque la pièce est elle-même déjà très humide.
- **La pièce est-elle humide?** Il est normal que de l'humidité s'accumule à l'intérieur de la cave à vin lorsque l'air est humide.
- **Le réglage de la commande est-il correct pour les conditions existantes?** Voir "Utilisation des commandes".

La porte est difficile à ouvrir

AVERTISSEMENT



Risque d'explosion

Utiliser un produit de nettoyage ininflammable.

Le non-respect de cette instruction peut causer un décès, une explosion ou un incendie.

- **Le joint est-il sale ou collant?** Nettoyer le joint et la surface avec laquelle il est en contact. Frotter en appliquant une fine couche de paraffine sur le joint après le nettoyage.

La porte ne ferme pas complètement

- **Les casiers sont-ils bien en place?** Remettre les casiers à la bonne position. Voir "Utilisation de la cave à vin" pour plus de renseignements.

AVERTISSEMENT



Risque d'explosion

Utiliser un produit de nettoyage ininflammable.

Le non-respect de cette instruction peut causer un décès, une explosion ou un incendie.

- **Le joint colle-t-il?** Nettoyer le joint et la surface avec laquelle il est en contact. Frotter en appliquant une fine couche de paraffine sur le joint après le nettoyage.

ASSISTANCE OU SERVICE

Avant de faire un appel pour assistance ou service, veuillez consulter la section "Dépannage". Cette vérification peut vous faire économiser le coût d'une visite de service. Si vous avez encore besoin d'aide, suivez les instructions ci-dessous.

Lors d'un appel, veuillez connaître la date d'achat et les numéros de modèle et de série complets de votre appareil. Ces renseignements nous aideront à mieux répondre à votre demande.

Si vous avez besoin de pièces de rechange

Si vous avez besoin de commander des pièces de rechange, nous vous recommandons d'utiliser seulement les pièces de rechange spécifiées par l'usine. Les pièces de rechange spécifiées par l'usine conviendront bien et fonctionneront bien parce qu'elles sont fabriquées selon les mêmes spécifications précises utilisées pour fabriquer chaque nouvel appareil KITCHENAID®.

Pour savoir où trouver des pièces de rechange spécifiées par l'usine dans votre région, nous appelons ou contacter le centre de service désigné le plus proche.

Aux États-Unis

Téléphoner au Centre pour l'eXpérience de la clientèle de KitchenAid sans frais : **1-800-422-1230**.

Nos consultants fournissent de l'assistance pour :

- Caractéristiques et spécifications de notre gamme complète d'appareils ménagers.
- Renseignements d'installation.
- Procédés d'utilisation et d'entretien.
- Vente d'accessoires et de pièces de rechange.
- Assistance spécialisée au client (langue espagnole, malentendants, malvoyants, etc.).
- Les références aux concessionnaires, compagnies de service de réparation et distributeurs de pièces de rechange locaux. Les techniciens de service désignés par KitchenAid sont formés pour remplir la garantie des produits et fournir un service après garantie partout aux États-Unis.

Pour localiser la compagnie de service désignée par KitchenAid dans votre région, vous pouvez également consulter les Pages jaunes.

Pour plus d'assistance

Si vous avez besoin de plus d'assistance, vous pouvez écrire à KitchenAid en soumettant toute question ou problème à :

KitchenAid Brand Home Appliances
Customer eXperience Center
553 Benson Road
Benton Harbor, MI 49022-2692

Dans votre correspondance, veuillez indiquer un numéro de téléphone où l'on peut vous joindre dans la journée.

Au Canada

Téléphoner sans frais au Centre pour l'eXpérience de la clientèle de KitchenAid Canada au : **1-800-807-6777**.

Nos consultants fournissent de l'assistance pour :

- Caractéristiques et spécifications de notre gamme complète d'appareils ménagers.
- Procédés d'utilisation et d'entretien.
- Vente d'accessoires et de pièces de rechange.
- Les références aux concessionnaires, compagnies de service de réparation et distributeurs de pièces de rechange locaux. Les techniciens de service désignés par KitchenAid Canada sont formés pour remplir la garantie des produits et fournir un service après la garantie, partout au Canada.

Pour plus d'assistance

Si vous avez besoin de plus d'assistance, vous pouvez écrire à KitchenAid Canada en soumettant toute question ou problème à :

KitchenAid Canada
Customer eXperience Center
1901 Minnesota Court
Mississauga, Ontario L5N 0B7

Dans votre correspondance, veuillez indiquer un numéro de téléphone où l'on peut vous joindre dans la journée.

Accessoires

Les accessoires pour cave à vin suivants sont disponibles. Pour commander un accessoire, veuillez communiquer avec nous et demander le numéro de pièce correspondant.

Aux États-Unis, visitez notre site web à **www.kitchenaid.com/accessories** ou composer le **1-800-442-9991**.

Au Canada, visitez notre site web à **www.whirlpoolparts.ca** ou composer le **1-800-807-6777**.

Nettoyant et poli pour acier inoxydable

Commander la pièce n° 4396095

GARANTIE LIMITÉE DES APPAREILS DE RÉFRIGÉRATION KITCHENAID®

ATTACHEZ ICI VOTRE REÇU DE VENTE. UNE PREUVE D'ACHAT EST OBLIGATOIRE POUR OBTENIR L'APPLICATION DE LA GARANTIE.

Lorsque vous appelez le centre d'eXpérience de la clientèle, veuillez garder à disposition les renseignements suivants :

- Nom, adresse et numéro de téléphone
- Numéros de modèle et de série
- Une description claire et détaillée du problème rencontré
- Une preuve d'achat incluant le nom et l'adresse du marchand ou du détaillant

SI VOUS AVEZ BESOIN DE SERVICE :

1. Avant de nous contacter pour obtenir un dépannage, veuillez déterminer si des réparations sont nécessaires pour votre produit. Certains problèmes peuvent être résolus sans intervention de dépannage. Prenez quelques minutes pour parcourir la section Dépannage ou Résolution de problèmes du guide d'utilisation et d'entretien, scannez le code QR ci-contre avec votre téléphone intelligent pour accéder à des ressources supplémentaires, ou rendez-vous sur le site <http://www.kitchenaid.ca>.
2. Tout service sous garantie doit être effectué exclusivement par nos fournisseurs de dépannage autorisés KitchenAid. Aux É.-U. et au Canada, dirigez toutes vos demandes de service sous garantie au

Centre d'eXpérience de la clientèle KitchenAid

Aux É.-U., composer le 1-800-422-1230. Au Canada, composer le 1-800-807-6777.

Si vous résidez à l'extérieur du Canada et des 50 États des États-Unis, contactez votre marchand KitchenAid autorisé pour déterminer si une autre garantie s'applique.



<http://www.kitchenaid.ca>

GARANTIE LIMITÉE DE CINQ ANS

CE QUI EST COUVERT

GARANTIE LIMITÉE

Pendant un an à compter de la date d'achat, lorsque ce gros appareil ménager est installé, utilisé et entretenu conformément aux instructions jointes à ou fournies avec le produit, la marque KitchenAid de Whirlpool Corporation ou Whirlpool Canada LP (ci-après désignées "KitchenAid") décidera à sa seule discrétion de remplacer le produit ou de couvrir le coût des pièces de remplacement spécifiées par l'usine et de la main-d'œuvre nécessaires pour corriger les vices de matériaux ou de fabrication qui existaient déjà lorsque ce gros appareil ménager a été acheté. S'il est remplacé, votre appareil restera sous garantie pour la durée restante à courir de la période de garantie sur le produit d'origine.

GARANTIE LIMITÉE DE LA DEUXIÈME À LA CINQUIÈME ANNÉE INCLUSIVEMENT SUR LA DOUBLURE DE LA CAVITÉ ET SUR LE SYSTÈME DE RÉFRIGÉRATION SCÉLÉ

De la deuxième à la cinquième année inclusivement à compter de la date d'achat initiale, lorsque ce gros appareil ménager est installé, utilisé et entretenu conformément aux instructions jointes au produit ou fournies avec, la marque KitchenAid paiera pour les pièces de rechange spécifiées par l'usine et la main-d'œuvre concernant les composants suivants pour corriger les défauts non esthétiques de matériau ou de fabrication de ladite pièce qui empêchent le réfrigérateur de fonctionner et qui étaient déjà présents lorsque ce gros appareil ménager a été acheté :

- Doublure de la cavité du réfrigérateur/congélateur si la pièce se fissure en raison d'un vice de matériau ou de fabrication.
- Système de réfrigération scellé (y compris le compresseur, l'évaporateur, le condenseur, le séchoir et les conduits de connexion).

LE SEUL ET EXCLUSIF RECOURS DU CLIENT DANS LE CADRE DE LA PRÉSENTE GARANTIE LIMITÉE CONSISTE EN LA RÉPARATION PRÉVUE PAR LA PRÉSENTE. Le service doit être fourni par une compagnie de service désignée par KitchenAid. Cette garantie limitée est valide uniquement aux États-Unis ou au Canada et s'applique exclusivement lorsque le gros appareil ménager est utilisé dans le pays où il a été acheté. La présente garantie limitée est valable à compter de la date d'achat initial par le consommateur. Une preuve de la date d'achat initial est exigée pour obtenir un dépannage dans le cadre de la présente garantie limitée.

CE QUI N'EST PAS COUVERT

1. Usage commercial, non résidentiel ou par plusieurs familles, ou non-respect des instructions de l'utilisateur, de l'opérateur ou des instructions d'installation.
2. Visite d'instruction à domicile pour montrer à l'utilisateur comment utiliser l'appareil.
3. Visites de service pour rectifier une installation ou un entretien fautifs du produit, une installation non conforme aux codes d'électricité ou de plomberie, ou la rectification de l'installation électrique ou de la plomberie du domicile (ex : câblage électrique, fusibles ou tuyaux d'arrivée d'eau du domicile).
4. Pièces consommables (ex : ampoules, batteries, filtres à air ou à eau, solutions de conservation, etc.).
5. Défauts ou dommage résultant de l'utilisation de pièces ou accessoires KitchenAid non authentiques.
6. Dommages causés par : accident, mésusage, abus, incendie, inondations, catastrophe naturelle ou l'utilisation de produits non approuvés par KitchenAid.
7. Réparations aux pièces ou systèmes dans le but de rectifier un dommage ou des défauts résultant d'une réparation, altération ou modification non autorisée faite à l'appareil.
8. Défauts d'apparence, notamment les éraflures, traces de choc, fissures ou tout autre dommage subi par le fini de l'appareil ménager, à moins que ces dommages ne résultent de vices de matériaux ou de fabrication et ne soient signalés à KitchenAid dans les 30 jours suivant la date d'achat.
9. Décoloration, rouille ou oxydation des surfaces résultant d'environnements caustiques ou corrosifs incluant des concentrations élevées de sel, un haut degré d'humidité ou une exposition à des produits chimiques (exemples non exhaustifs).
10. Perte d'aliments ou de médicaments due à la défaillance du produit.
11. Enlèvement ou livraison. Ce produit est conçu pour être réparé à l'intérieur du domicile.
12. Frais de déplacement et de transport pour le dépannage/la réparation dans une région éloignée où une compagnie de service KitchenAid autorisée n'est pas disponible.
13. Retrait ou réinstallation d'appareils inaccessibles ou de dispositifs préinstallés (ex : garnitures, panneaux décoratifs, plancher, meubles, îlots de cuisine, plans de travail, panneaux de gypse, etc.) qui entravent le dépannage, le retrait ou le remplacement du produit.
14. Service et pièces pour des appareils dont les numéros de série et de modèle originaux ont été enlevés, modifiés ou ne peuvent pas être facilement identifiés.

Le coût d'une réparation ou d'un remplacement dans le cadre de ces circonstances exclues est à la charge du client.

CLAUSE D'EXONÉRATION DE RESPONSABILITÉ AU TITRE DES GARANTIES IMPLICITES

LES GARANTIES IMPLICITES, Y COMPRIS LES GARANTIES APPLICABLES DE QUALITÉ MARCHANDE OU D'APTITUDE À UN USAGE PARTICULIER, SONT LIMITÉES À UN AN OU À LA PLUS COURTE PÉRIODE AUTORISÉE PAR LA LOI. Certains États et provinces ne permettent pas de limitation sur la durée des garanties implicites de qualité marchande ou d'aptitude à un usage particulier, de sorte que la limitation ci-dessus peut ne pas être applicable dans votre cas. Cette garantie vous confère des droits juridiques spécifiques et vous pouvez également jouir d'autres droits qui peuvent varier d'une juridiction à l'autre.

EXONÉRATION DE RESPONSABILITÉ DANS LES DOMAINES NON COUVERTS PAR LA GARANTIE

KitchenAid décline toute responsabilité au titre de la qualité, de la durabilité ou en cas de dépannage ou de réparation nécessaire sur ce gros appareil ménager autre que les responsabilités énoncées dans la présente garantie. Si vous souhaitez une garantie plus étendue ou plus complète que la garantie limitée fournie avec ce gros appareil ménager, adressez-vous à KitchenAid ou à votre détaillant pour obtenir les modalités d'achat d'une garantie étendue.

LIMITATION DES RECOURS; EXCLUSION DES DOMMAGES FORTUITS OU INDIRECTS

LE SEUL ET EXCLUSIF RECOURS DU CLIENT DANS LE CADRE DE LA PRÉSENTE GARANTIE LIMITÉE CONSISTE EN LA RÉPARATION PRÉVUE PAR LA PRÉSENTE. KITCHENAID N'ASSUME AUCUNE RESPONSABILITÉ POUR LES DOMMAGES FORTUITS OU INDIRECTS. Certains États et certaines provinces ne permettent pas l'exclusion ou la limitation des dommages fortuits ou indirects de sorte que ces limitations et exclusions peuvent ne pas être applicables dans votre cas. Cette garantie vous confère des droits juridiques spécifiques et vous pouvez également jouir d'autres droits qui peuvent varier d'une juridiction à l'autre.

**W10741577A/
8336460127100**

®/™ ©2015 KitchenAid. All rights reserved. Used under license in Canada.
Todos los derechos reservados. Usada en Canadá bajo licencia.
Tous droits réservés. Utilisé sous licence au Canada.

02/15
Printed in Mexico
Impreso en México
Imprimé au Mexique