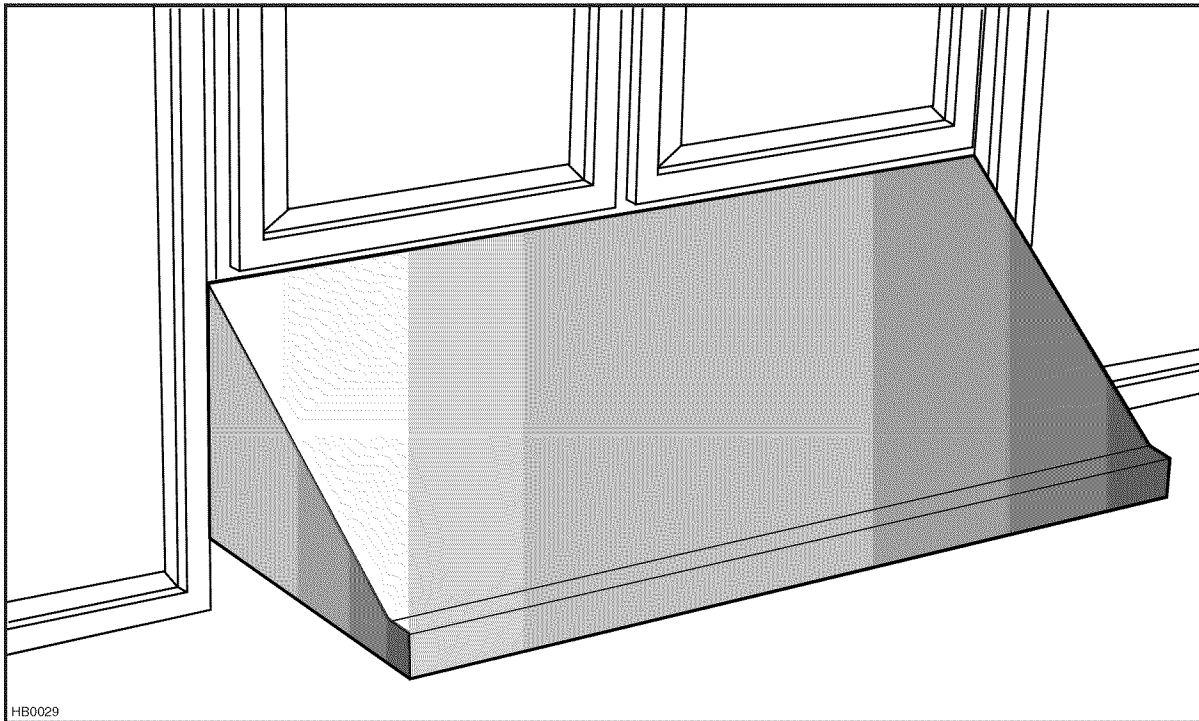


## INSTALLATION INSTRUCTIONS

---

**best**<sup>®</sup>  
by **BROAN**<sup>®</sup>

---



HB0029

## MODEL K210A

⚠ FOR ORDINARY RESIDENTIAL USE ONLY ⚠

**READ AND SAVE THESE INSTRUCTIONS**

INSTALLER: LEAVE THIS MANUAL WITH HOMEOWNER.  
HOMEOWNER: USE AND CARE INFORMATION ON PAGES 11 AND 12.

---

In USA - BEST BY BROAN<sup>®</sup> P.O. Box 140, Hartford, WI 53027

In Canada - BEST BY BROAN<sup>®</sup> 550 Lemire Blvd., Drummondville, QC, J2C 7W9

REGISTER YOUR PRODUCT ON LINE AT: [www.bestbybroan.com/register](http://www.bestbybroan.com/register)

For additional information - visit [www.bestbybroan.com](http://www.bestbybroan.com)

V03516 rev. J

## **WARNING**

### **TO REDUCE THE RISK OF FIRE, ELECTRIC SHOCK OR INJURY TO PERSONS, OBSERVE THE FOLLOWING:**

1. Use this unit only in the manner intended by the manufacturer. If you have questions, contact the manufacturer at the address or telephone number listed in the warranty.
2. Before servicing or cleaning unit, switch power off at service panel and lock service disconnecting means to prevent power from being switched on accidentally. When the service disconnecting means cannot be locked, securely fasten a prominent warning device, such as a tag, to the service panel.
3. Installation work and electrical wiring must be done by qualified personnel in accordance with all applicable codes and standards, including fire-rated construction codes and standards.
4. Sufficient air is needed for proper combustion and exhausting of gases through the flue (chimney) of fuel burning equipment to prevent backdrafting. Follow the heating equipment manufacturer's guidelines and safety standards such as those published by the National Fire Protection Association (NFPA), and the American Society for Heating, Refrigeration and Air Conditioning Engineers (ASHRAE), and the local code authorities.
5. When cutting or drilling into wall or ceiling, do not damage electrical wiring and other hidden utilities.
6. Ducted fans must always be vented to the outdoors.
7. Do not use this unit with any additional solid-state speed control device.
8. To reduce the risk of fire, use only steel ductwork.
9. This unit must be grounded.

### **TO REDUCE THE RISK OF A RANGE TOP GREASE FIRE:**

- a) Never leave surface units unattended at high settings. Boilovers cause smoking and greasy spillovers that may ignite. Heat oils slowly on low or medium settings.
- b) Always turn hood ON when cooking at high heat or when cooking flambeing foods (Crêpes Suzette, Cherries Jubilee, Peppercorn Beef Flambeé).
- c) Clean ventilating fans frequently. Grease should not be allowed to accumulate on fan or filter.
- d) Use proper pan size. Always use cookware appropriate for the size of the surface element.

## **WARNING**

### **TO REDUCE THE RISK OF INJURY TO PERSONS IN THE EVENT OF A RANGE TOP GREASE FIRE, OBSERVE THE FOLLOWING\*:**

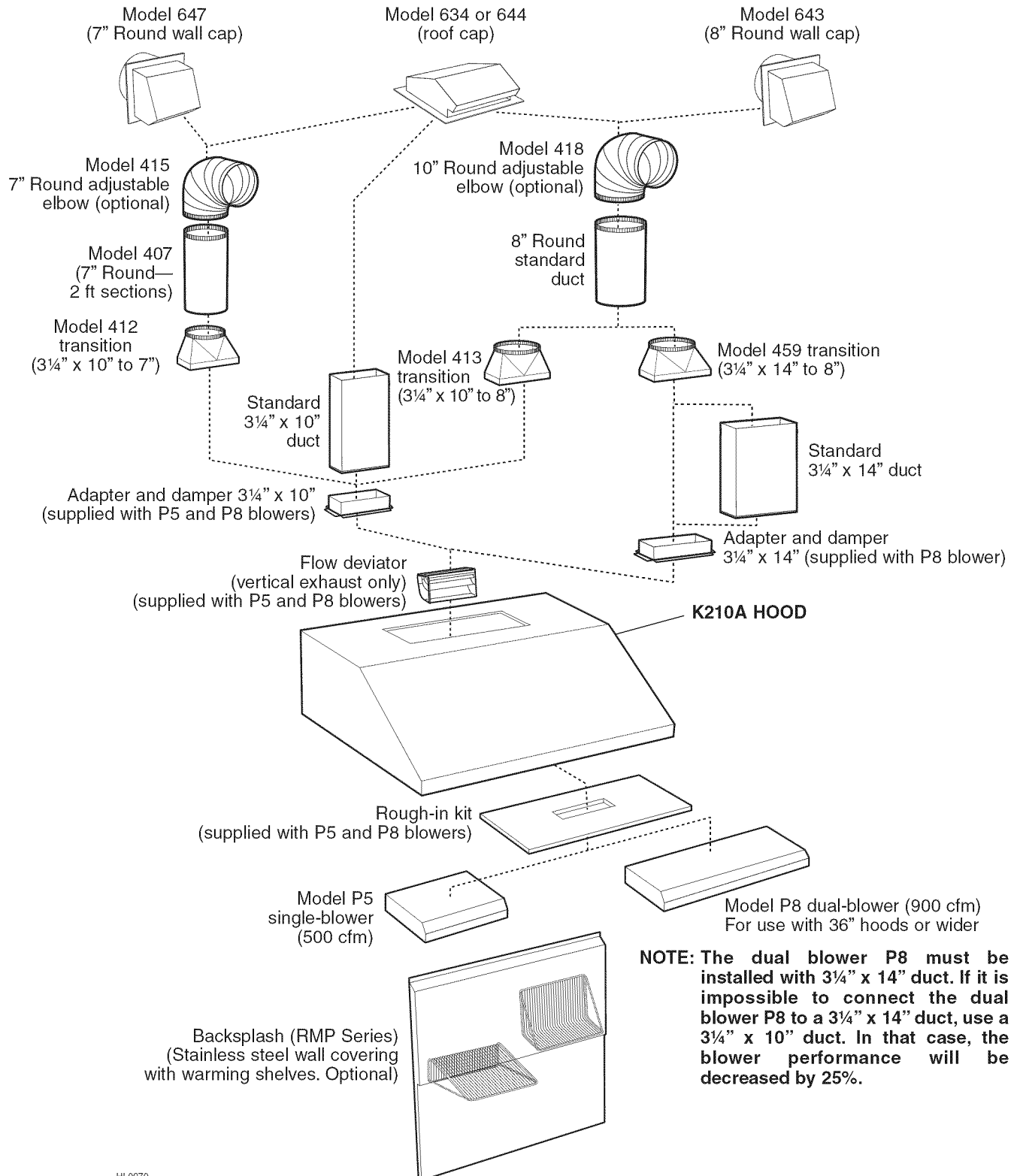
1. SMOTHER FLAMES with a close-fitting lid, cookie sheet or metal tray, then turn off the burner. BE CAREFUL TO PREVENT BURNS. IF THE FLAMES DO NOT GO OUT IMMEDIATELY, EVACUATE AND CALL THE FIRE DEPARTMENT.
2. NEVER PICK UP A FLAMING PAN—You may be burned.
3. DO NOT USE WATER, including wet dishcloths or towels—This could cause a violent steam explosion.
4. Use an extinguisher ONLY if:
  - A. You own a Class ABC extinguisher and you know how to operate it.
  - B. The fire is small and contained in the area where it started.
  - C. The fire department has been called.
  - D. You can fight the fire with your back to an exit.

\* Based on "Kitchen Fire Safety Tips" published by NFPA.

## **CAUTION**

1. For general ventilating use only. Do not use to exhaust hazardous or explosive materials and vapors.
2. To avoid motor bearing damage and noisy and/or unbalanced impellers, keep drywall spray, construction dust, etc. off power unit.
3. Your hood motor has a thermal overload which will automatically shut off the motor if it becomes overheated. The motor will restart when it will be cooled down. If the motor continues to shut off and restart, have the hood serviced.
4. For best capture of cooking impurities, the bottom of the hood should be at a minimum of 20" (24" over a gas range) and at a maximum of 30" above the cooking surface.
5. Two installers are recommended because of the large size and weight of this hood.
6. To reduce the risk of fire and to properly exhaust air, be sure to duct air outside—Do not exhaust air into spaces within walls or ceiling or into attics, crawl space or garage.
7. This product is equipped with a thermostat which may start blower automatically. To reduce the risk of injury and to prevent power from being switched on accidentally, switch power off at service panel and lock or tag service panel.
8. Because of the high exhausting capacity of this hood, you should make sure enough air is entering the house to replace exhausted air by opening a window close to or in the kitchen.
9. To reduce the risk of fire and electric shock, the Best K210A hood must be installed with Best by Broan interior blower models P5 or P8; Best by Broan exterior models EB6, EB9, EB12 or EB15; Best by Broan in-line blowers models ILB3, ILB6, ILB9 or ILB11 Other blowers cannot be substituted. (Blowers sold separately.)
10. Use with approved cord-connection kit only.
11. Please read specification label on product for further information and requirements.

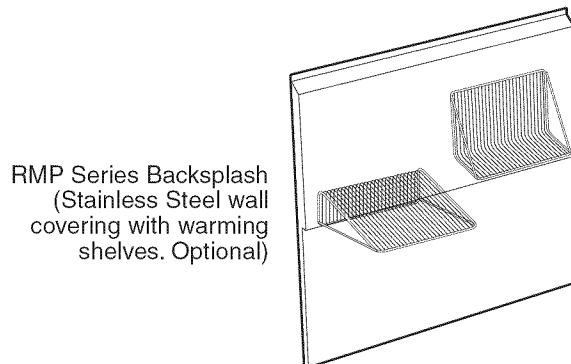
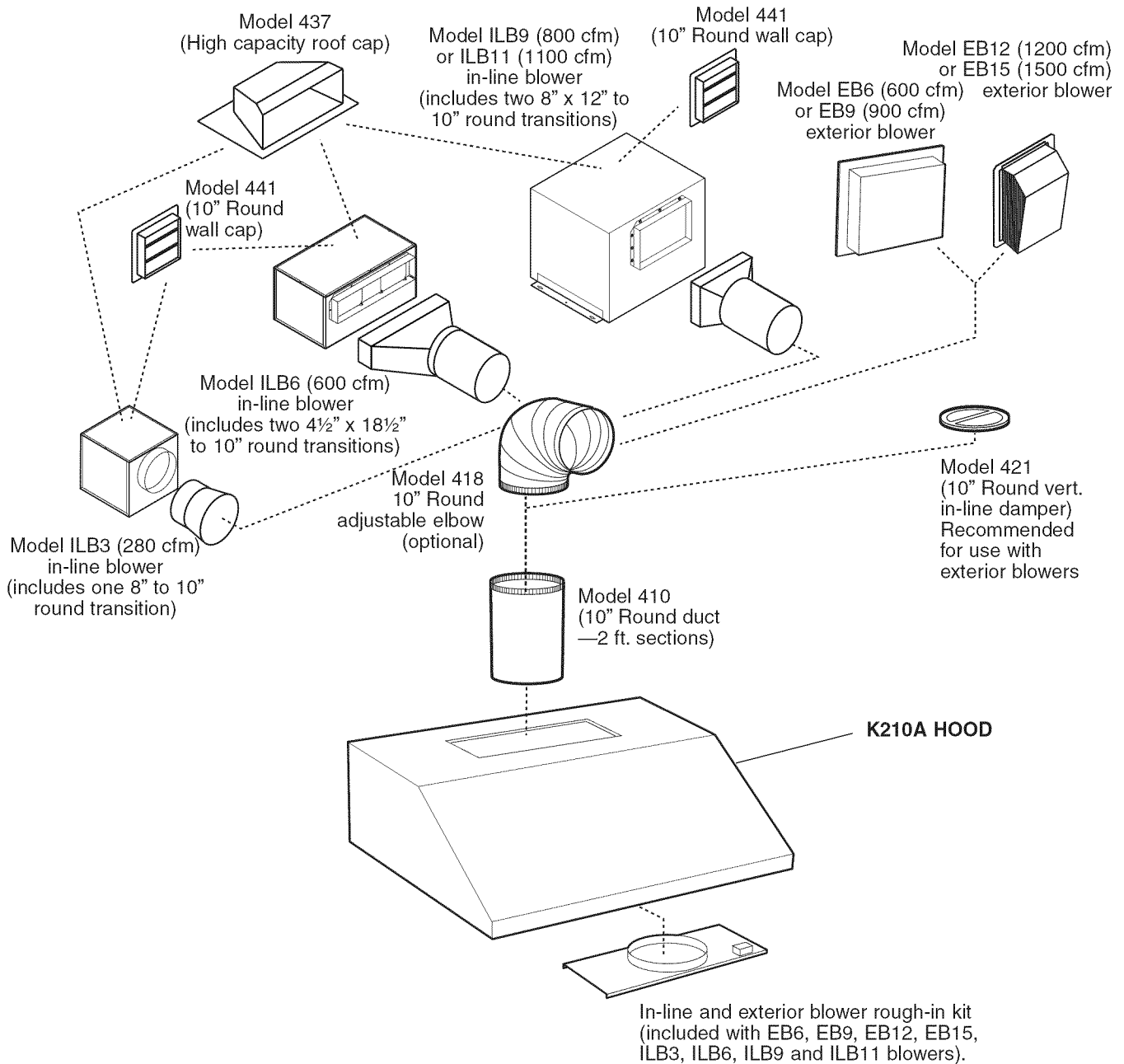
# - K210A MODEL RANGE HOOD SYSTEM - INTERIOR BLOWERS



HL0070

# - K210A MODEL RANGE HOOD SYSTEM -

## IN-LINE AND EXTERIOR BLOWERS



# 1. SELECT BLOWER OPTION AND INSTALL DUCTWORK

Either an interior or exterior blower or in-line blower may be used with this hood. The Best by Broan K210A must be installed with blower models P5, P8, ILB3, ILB6, ILB9, ILB11, EB6, EB9, EB12 or EB15 only. Other blowers cannot be substituted. (Blowers sold separately).

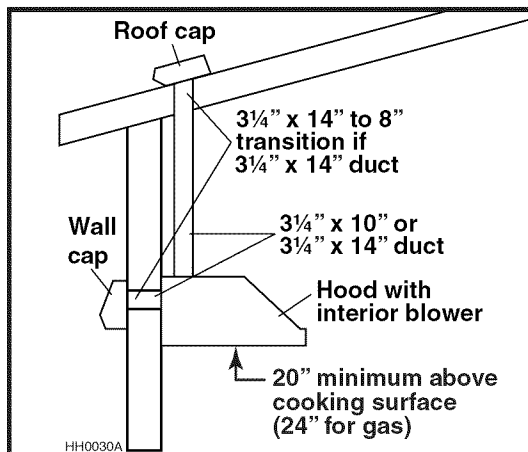
Plan where and how the ductwork will be installed.

**If installing in-line blower, refer to instructions packed with in-line blower and follow steps 1 up to 3, 6, 9, 10, 12 and up of this manual.**

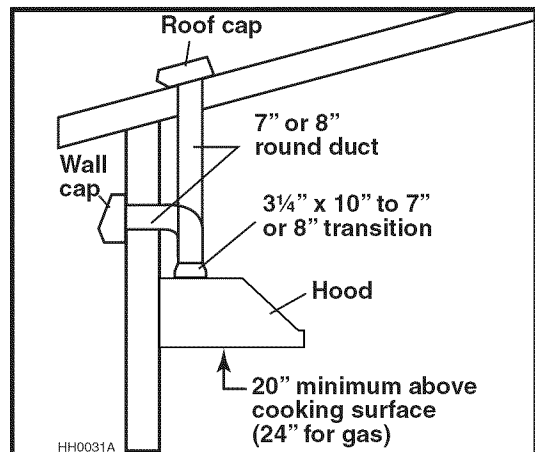
Install proper-sized ductwork, elbows and roof or wall cap for the type of blower you are installing. If using 7" or 8" round ducts, or 3/4" x 14" duct, use a transition. Use 2" duct tape to seal duct joints.

**The minimum hood distance above cooktop must not be less than 20" for an electric range and 24" for a gas range. A maximum of 30" above cooktop is highly recommended for best capture of cooking impurities.**

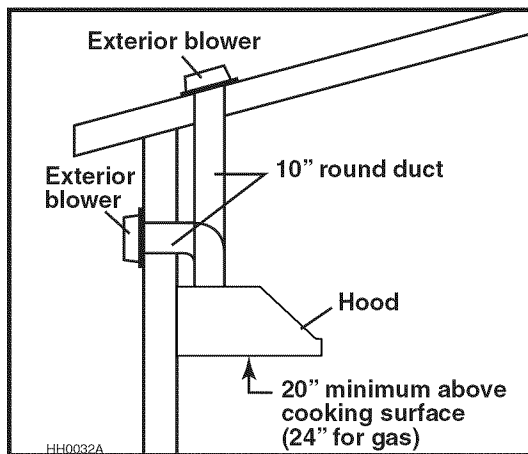
Distances over 30" are at the installer and users discretion.



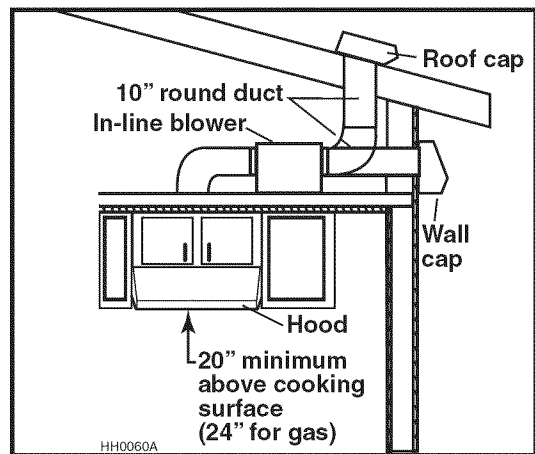
MODEL P5 (SINGLE) OR  
P8 (DOUBLE) INTERIOR BLOWER  
TYPICAL RECTANGULAR DUCTWORK



MODEL P5 (SINGLE) OR  
P8 (DOUBLE) INTERIOR BLOWER  
7" OR 8" ROUND DUCTWORK



MODEL EB6, EB9, EB12 OR EB15  
EXTERIOR BLOWER TYPICAL DUCTWORK



MODEL ILB3, ILB6, ILB9 OR ILB11  
IN-LINE BLOWER TYPICAL DUCTWORK

## 2. PREPARE THE INSTALLATION

### CAUTION

When performing installation, servicing or cleaning the unit, it is recommended to wear safety glasses and gloves.

Make sure that the following items are included:

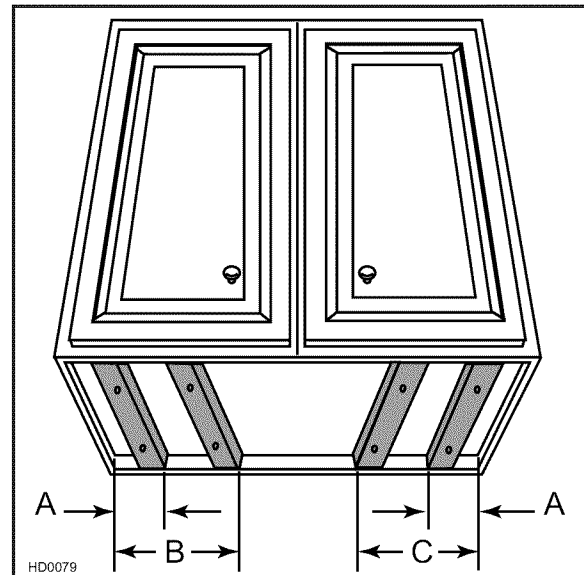
- Range hood
- Accessories:
  - Filters
  - Bag of parts including:
    - (4) lock nuts, (1) wire clamp, (8) 1/2" double thread screws, (2) wire connectors,
    - (2) 1/2" standard screws, (6) 3/8 screws.

Parts sold separately:

- Interior blower Model P5 includes blower, rough-in kit, flow deviator and 3¼" x 10" adapter
- Interior blower Model P8 includes blower, rough-in kit, flow deviator and 3¼" x 10" adapter and 3¼" x 14" adapter
- In-line blower assembly ILB3, ILB6, ILB9 or ILB11 (all include transition and rough-in plate)
- Exterior blower assembly EB6, EB9, EB12 or EB15 (all include rough-in plate)
- Shielded halogen lamps (120 V, 50 W, MR16 with GU10 base or PAR16 with GU10 base)
- Backsplash (optional)
- Baffle filters (optional)
- Transitions, duct, elbows, dampers, wall and roof caps. Refer to page 3 and 4 for a complete list of venting options and model numbers.

NOTE: For cabinets with recessed bottom, attach wood filler strips (not included) on each sides, as shown below. Use two (2) 2-inch wide strips for 30" wide hoods, and four (4) 2-inch wide strips for wider hoods, cut to length. See below for wood filler strip locations.

| HOOD WIDTHS | LOCATIONS |      |      |
|-------------|-----------|------|------|
|             | A         | B    | C    |
| 30"         | 2"        | N/A  | N/A  |
| 36"         | 2"        | 4½"  | 4½"  |
| 42"         | 2"        | 7¼"  | 8¼"  |
| 48"         | 4"        | 10¼" | 11¼" |



## 3. INSTALL BACKSPLASH (OPTIONAL)

Backsplash must be installed before the hood shell because the hood shell covers the backsplash top mounting screws. In order to be able to install the backsplash, make sure you have at least 18" clearance between bottom of hood and range control panel or cooktop. (See instructions packed with backsplash.)

## 4. SELECT BLOWER OPTION (EXTERIOR OR INTERIOR)

INTERIOR BLOWER: Follow all subsequent steps of this manual.

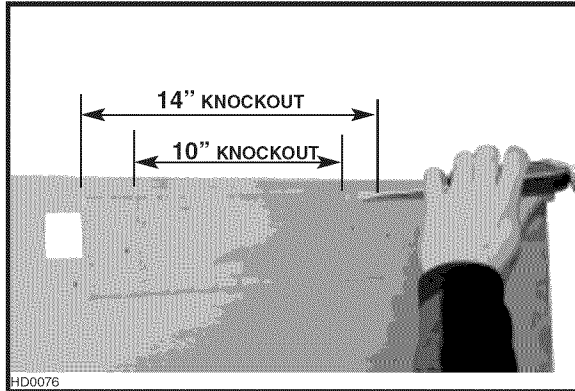
EXTERIOR BLOWER: Refer to instructions packed with exterior blower and follow steps 6, 9, 10, 12 and up of the present manual.

## 5. CHOOSE THE OPENING (INTERIOR BLOWER)

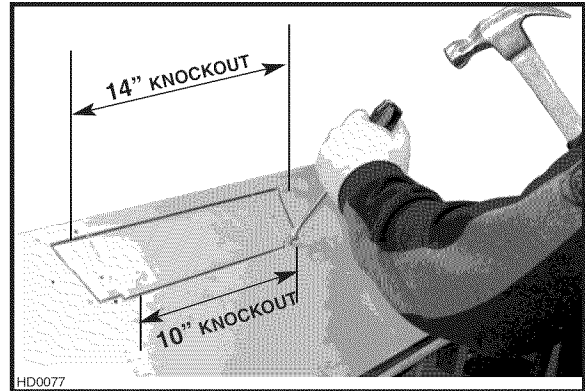
Remove the knockout for the chosen opening (horizontal at the back of the hood or vertical on rough-in plate). See pictures below.

### CAUTION

When using P5 blower, remove the 10" wide knockout (smaller part). If using P8 blower, remove the knockout corresponding to the ducting installed (10" or 14").



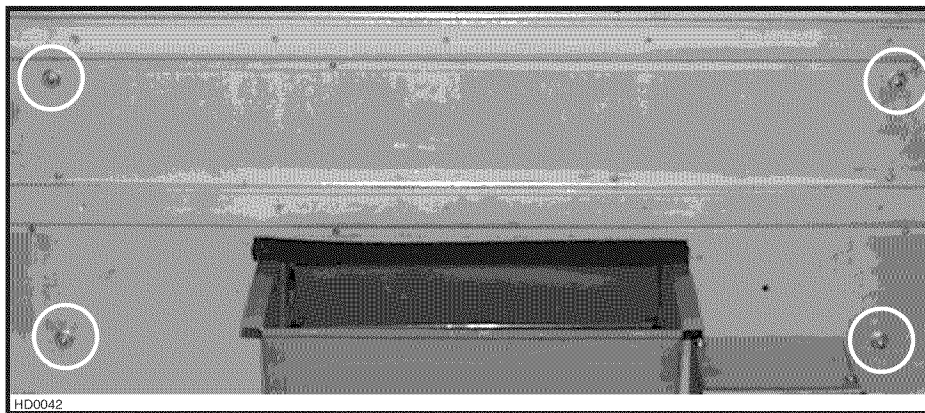
Removing horizontal knockout opening on back of hood



Removing vertical knockout opening on rough-in plate

## 6. INSTALL THE ROUGH-IN PLATE (ALL BLOWERS)

INTERIOR BLOWER: Secure the rough-in plate (provided with the P5 and P8 blower) inside the hood with four (4) lock nuts. See picture below.

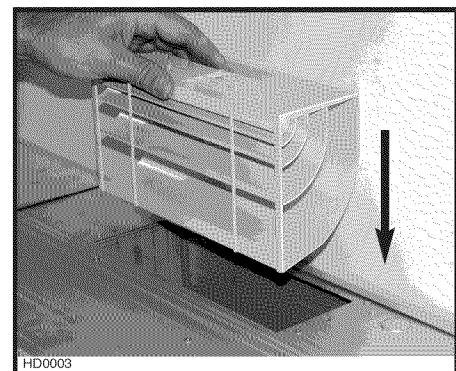


EXTERIOR OR IN-LINE BLOWER: Refer to instructions included with EB6, EB9, EB12 or EB15 the rough-in kit. Secure the rough-in plate inside the hood with (4) lock nuts.

## 7. INSTALL THE DEVIATOR (INTERIOR BLOWER)

**YOU MUST** install the deviator if you choose to vent the hood vertically. Install the deviator as shown.

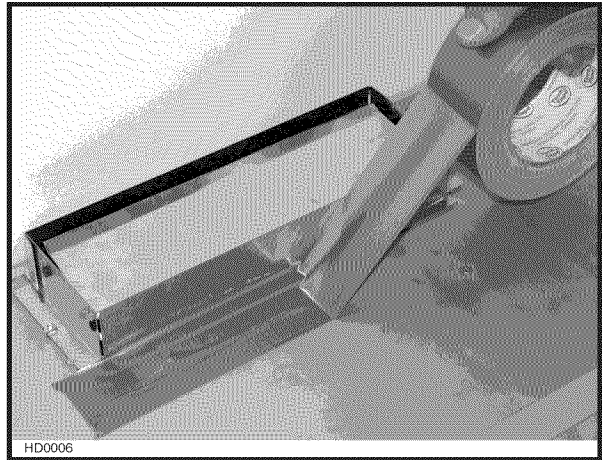
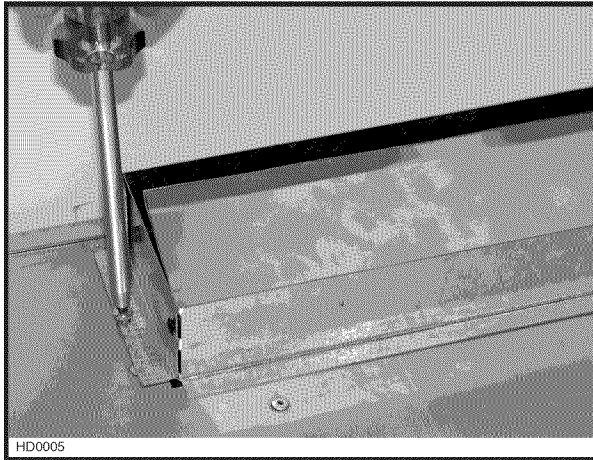
NOTE: If installed correctly, the deviator will protrude about 1/8" above the rough-in plate.



Inserting deviator into hood vertical opening

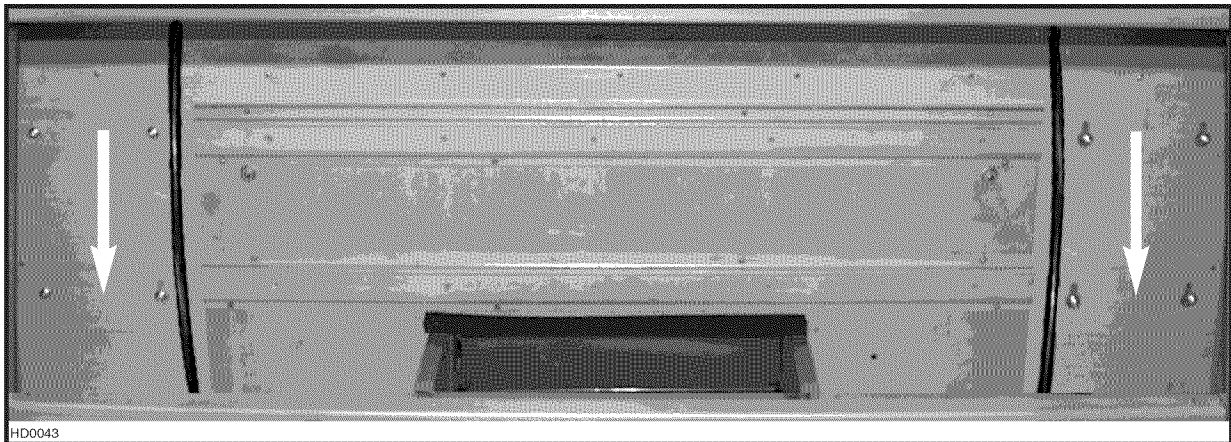
## 8. INSTALL THE ADAPTER (INTERIOR BLOWER)

Using two (2) standard 1/2" screws, secure the adapter to the top (or back) of the hood. Seal the adapter to the hood using duct tape.



## 9. INSTALL THE HOOD (INTERIOR & EXTERIOR BLOWER)

**INTERIOR BLOWER:** Run power cable to installation location. Place the hood to its location. Mark the position of the screws (smaller part of the key holes) with a pen. Remove the hood and install the (8) 1/2" double thread screws leaving a 1/8" gap (4 screws for 30" hood). Remove wiring cover, place the wire clamp, insert the cable in the hood and tighten the wire clamp to secure the cable. Place the hood under the cabinet and slide it in position. Make sure the adapter/damper assembly enters the ducting. Secure the hood by tightening the screws completely.



**EXTERIOR BLOWER:** Run power cable to installation location. Place the hood to its location. Mark the position of the screws (smaller part of the key holes) with a pen. Remove the hood and install the (8) 1/2" double thread screws leaving a 1/8" gap (4 screws for 30" hood). Remove wiring cover on top of the hood and connect wiring (see instructions included with exterior blower). Place the hood under the cabinet and slide it in position. Secure the hood by tightening the screws completely.



## 10. CONNECT WIRING (ALL BLOWERS)

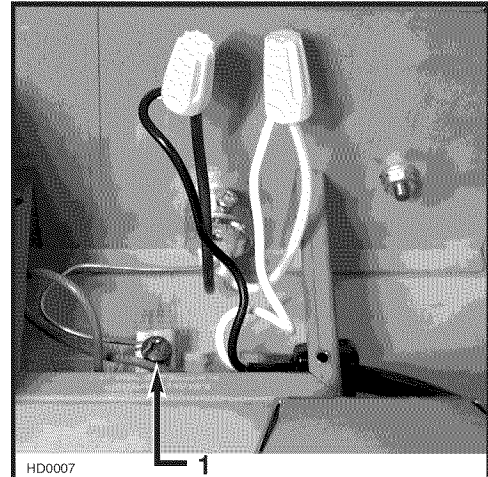
### WARNING

Risk of electrical shock. Electrical wiring must be done by qualified personnel in accordance with all applicable codes and standards. Before connecting wires, switch power off at service panel and lock service disconnecting means to prevent power to be switched on accidentally.

INTERIOR BLOWER: Connect cable into wiring box using wire connectors.

Connect wires as follow: BLACK to BLACK, WHITE to WHITE and GREEN or BARE wire under ground screw. Reinstall wiring cover.

**DO NOT FORGET TO CONNECT THE GROUND.**

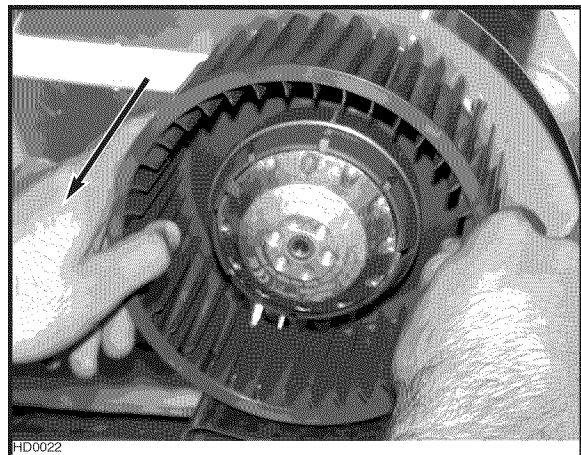
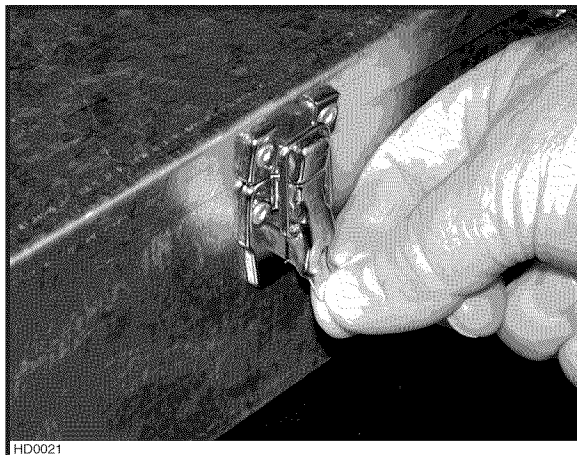


1) Ground screw

IN-LINE OR EXTERIOR BLOWER: Remove rough-in plate wiring cover and connect wiring (see instructions included with in-line or exterior blower).

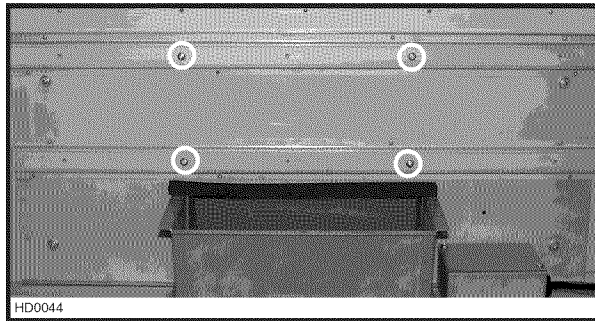
## 11. INSTALL THE BLOWER (INTERIOR BLOWER)

The blower must be installed to the rough-in plate using (4) 3/8" screws for the single blower unit and (6) 3/8" screws for the dual blower unit. Remove the cover from the blower assembly. Remove the impeller(s) by pulling them out gently (see pictures below).

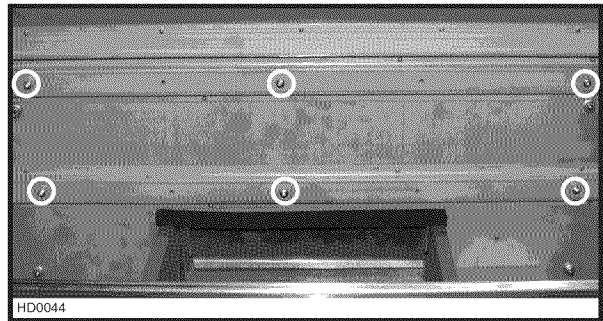


## 11. INSTALL THE BLOWER (INTERIOR BLOWER) (CONT'D)

Install screws into the location as shown in the pictures below (single blower or dual blower). Do not tighten screws down fully, leave a 1/8" gap. Hang blower unit onto blower plate (screws through the large part of the keyhole). Slide the blower to its position (screws in the small part of the keyhole). Tighten the screws.

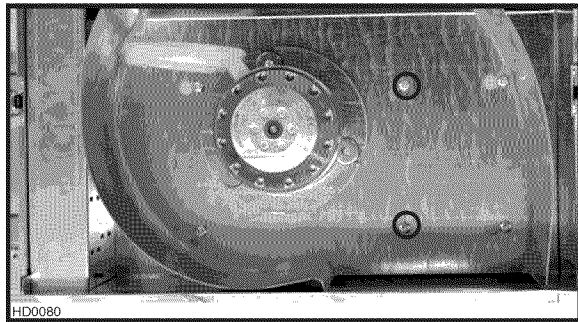


Single blower (P5)

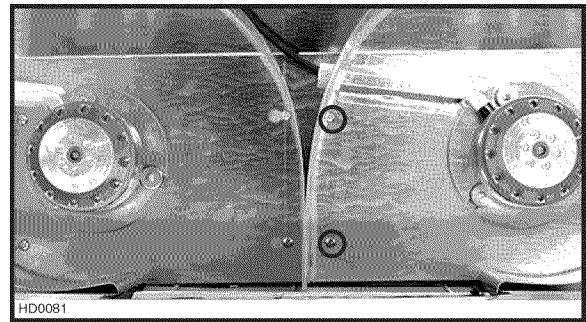


Dual blower (P8)

Secure the blower by installing 2 more screws into the locations shown in the pictures below (single blower or dual blower). Reinstall impeller(s) and cover.

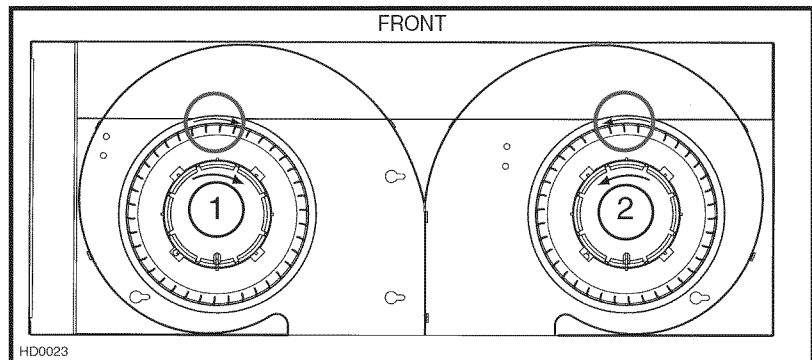


Single blower (P5)



Dual blower (P8)

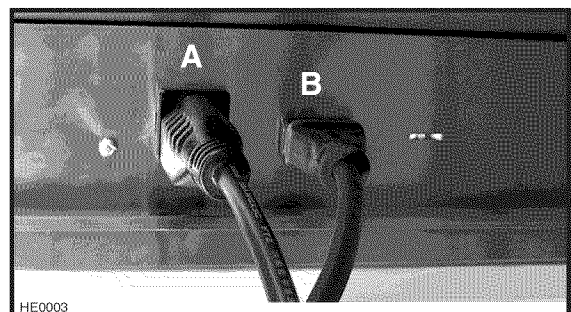
FOR DUAL BLOWER UNIT, MAKE SURE THE IMPELLERS ARE CORRECTLY INSTALLED, THE HOOD WILL NOT WORK PROPERLY IF REVERSED. Both impellers are different in the dual blower, one rotates clockwise and the other counterclockwise. Each wheel and motor have an arrow and a number on them, you have to match them correctly (see drawing beside).



### **WARNING**

**Never plug the 2-prong blower cord to the 3-prong power supply cord.**

Plug the power supply to the 3-prong male connector (A) and the blower unit into the 2-prong female receptacle (B) inside the hood.



## 12. LIGHT BULBS

This range hood must use shielded halogen lamps (120 V, 50 W, MR16 with GU10 base or PAR16 with GU10 base). (Purchase separately.)

### **⚠ WARNING**

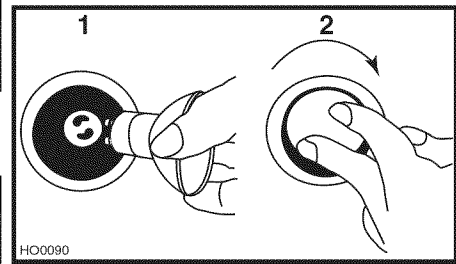
**In order to prevent the risk of personal injury, do not install a lamp identified for use only in enclosed fixtures.**

1. Install the lamps by placing the bulb leads into their grooves in the socket.
2. Gently push upwards and turn clockwise until secure.

### **⚠ WARNING**

**In order to prevent the risk of personal injury, the halogen lamps must be cooled down before removing them.**

To remove lamps, gently push upwards and turn counterclockwise to disengage bulb leads from their grooves.  
NOTE: If need be, use a rubber dishwashing glove to add grip when removing the bulb.

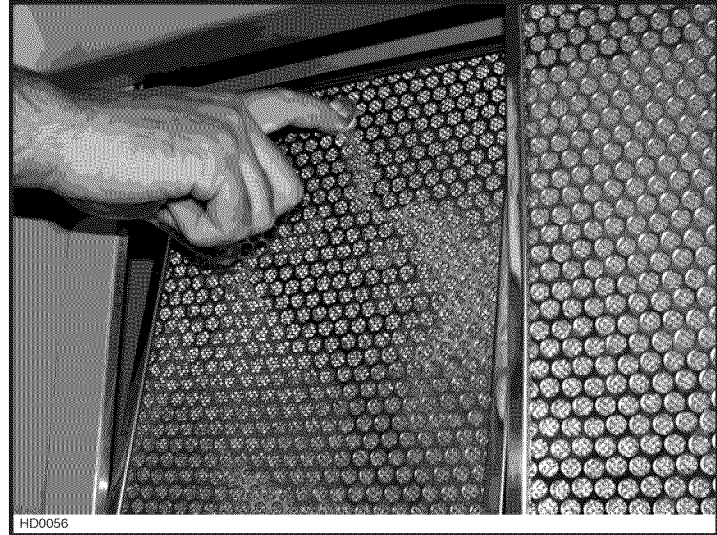
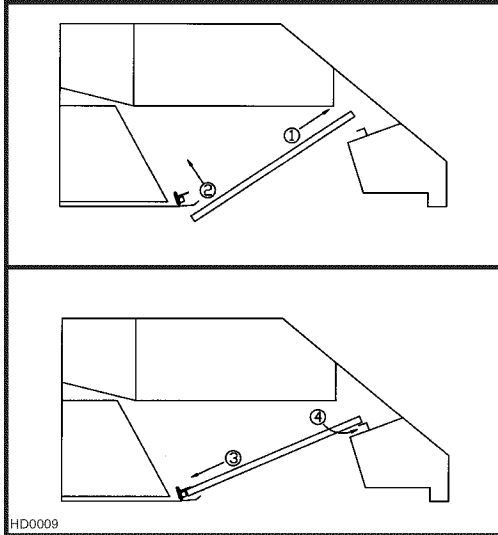


## 13. INSTALL FILTERS

It is recommended to install side filters first and finish with center one(s).

1. Insert upper end of filter into the hood (tab end).
2. Raise lower end toward the inside of hood.
3. Position lower end of filter into channel and pull.
4. While pulling the filter, slide it under the inner retaining piece.

Baffle filters are available as an option (see instruction sheet included with baffle filters).



## 14. USE AND CARE

Grease filters and impeller(s).

The grease filters, impeller(s) and grease rail should be cleaned frequently. Use a warm detergent solution.

Grease filters and impeller are dishwasher safe.

Remove filters by pushing filters towards the back of hood and rotating filters downward.

## 14. USE AND CARE (CONT'D)

---

### *Hood cleaning*

Stainless steel cleaning: How to maintain its "BRIGHT LOOK"

#### **Do:**

- Regularly wash surfaces with clean cloth or rag soaked with warm water and mild soap or liquid dish detergent.
- Always clean in the direction of original polish lines.
- Always rinse well with clear water (2 or 3 times) after cleaning. Wipe dry completely.
- You may also use a specialized household stainless steel cleaner.

#### **Don't:**

- Do not use any steel or stainless steel wool or any other scrapers to remove stubborn dirt.
- Do not use any harsh or abrasive cleansers.
- Do not allow dirt to accumulate.
- Do not let plaster dust or any other construction residues reach the hood. During construction or renovation, cover the hood to make sure no dust sticks to stainless steel surface.

#### **Avoid: when choosing a detergent**

- Any cleaners that contain **bleach** will attack stainless steel.
- Any products containing : **chloride, fluoride, iodide, bromide** will deteriorate surfaces rapidly.
- Any **combustible products** used for cleaning such as **acetone, alcohol, ether, benzol**, etc., are highly explosive and should never be used close to a range.

#### Enamel finish:

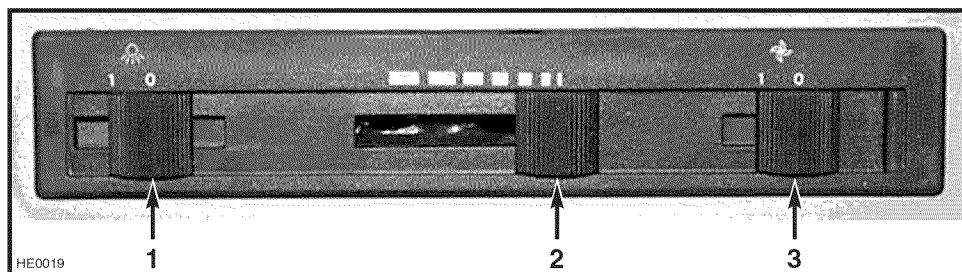
Clean with warm water and mild detergent only. When discoloration occurs, use a good enamel polish such as automotive polish. (**DO NOT** use rough abrasive cleaner or porcelain cleaner.)

## 15. OPERATION

---

Always turn your hood on before you begin cooking to establish an air flow in the kitchen. Let the blower run for a few minutes to clear the air after you turn off the range. This will help keep the whole kitchen cleaner and brighter.

The hood is operated using the (3) slide controls located beneath the front edge of the hood.



- 1) Light switch
- 2) blower speed control
- 3) Blower ON/OFF switch

### **COOKTOP LIGHTING (HALOGEN)**

The light switch turns the halogen lights ON and OFF.

### **BLOWER**

The blower is operated using two (2) controls.

Use the blower speed control to increase or decrease cooktop ventilation. Slide the control to the left to increase the blower speed—to the right to decrease the blower speed.

The blower ON/OFF switch turns the blower ON to the speed preset by the speed control. The blower must be turned On and OFF using this switch.

## 15. OPERATION (CONT'D)

### HEAT SENTRY

This hood is equipped with a Heat Sentry thermostat. This thermostat is a device that will turn on or speed up the blower if it senses excessive heat above the cooking surface.

- 1) If blower is OFF—it turns blower ON to HIGH speed.
- 2) If blower is ON at a lower speed setting—it turns the blower up to HIGH speed.

### WARNING

**The HEAT SENTRY can start the blower even if the hood is turned OFF. In this case, it is impossible to turn the blower OFF with blower switch. If you must stop the blower, do it from the main electrical panel.**

When the temperature level drops to normal, the blower will return to its original setting.

## WARRANTY

### BROAN ONE-YEAR LIMITED WARRANTY

Broan warrants to the original consumer purchaser of its products that such products will be free from defects in materials or workmanship for a period of one year from the date of original purchase. THERE ARE NO OTHER WARRANTIES, EXPRESS OR IMPLIED, INCLUDING, BUT NOT LIMITED TO, IMPLIED WARRANTIES OR MERCHANTABILITY OR FITNESS FOR A PARTICULAR PURPOSE.

During this one-year period, Broan will, at its option, repair or replace, without charge, any product or part which is found to be defective under normal use and service.

This warranty does not cover (a) normal maintenance and service or (b) any products or parts which have been subject to misuse, negligence, accident, improper maintenance or repair (other than by Broan), faulty installation or installation contrary to recommended installation instructions.

The duration of any implied warranty is limited to the one-year period as specified for the express warranty. Some states or provinces do not allow limitation on how long an implied warranty lasts, so the above limitation may not apply to you.

**BROAN'S OBLIGATION TO REPAIR OR REPLACE, AT BROAN'S OPTION, SHALL BE THE PURCHASER'S SOLE AND EXCLUSIVE REMEDY UNDER THIS WARRANTY. BROAN SHALL NOT BE LIABLE FOR INCIDENTAL, CONSEQUENTIAL OR SPECIAL DAMAGES ARISING OUT OF OR IN CONNECTION WITH PRODUCT USE OR PERFORMANCE. Some states or provinces do not allow the exclusion or limitation of incidental or consequential damages, so the above limitation or exclusion may not apply to you.**

This warranty gives you specific legal rights, and you may also have other rights, which vary from state to state or province to another. Any modification performed on this product without the authorization of Broan will void this warranty. This warranty supersedes all prior warranties.

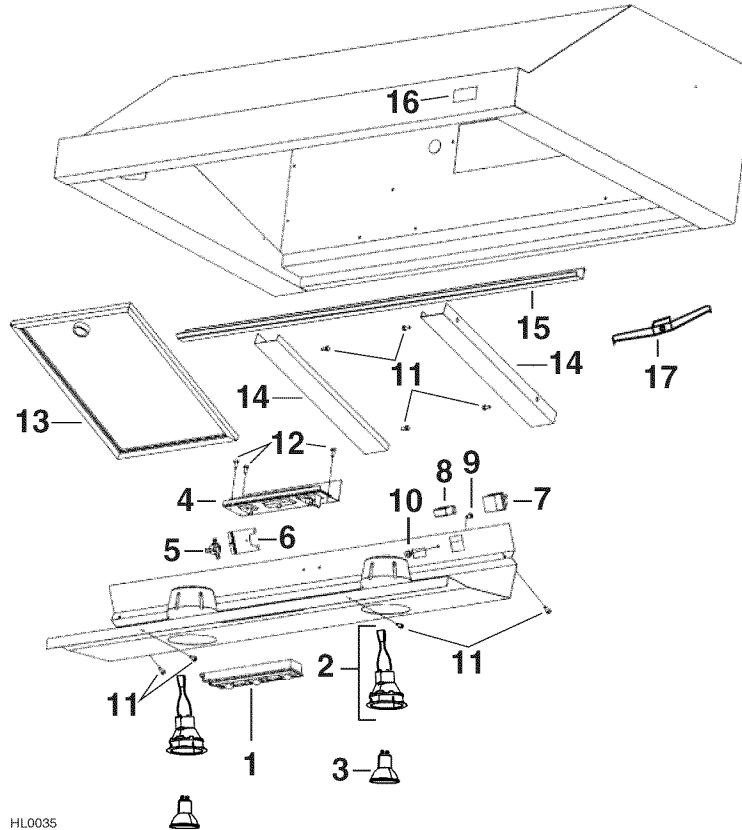
To qualify for warranty service, you must (a) notify Broan at one of the addresses or telephone numbers stated below, (b) give the model number and part identification and (c) describe the nature of any defect in the product or part. At the time of requesting warranty service, you must present evidence of the original purchase date.

**Best by Broan®**, P.O. Box 140, Hartford, WI 53027 USA (1-800-637-1453)

**Best by Broan®**, 550 Lemire Blvd., Drummondville, QC J2C 7W9 CANADA (1-866-737-7770)

# SERVICE PARTS

## MODEL K210A



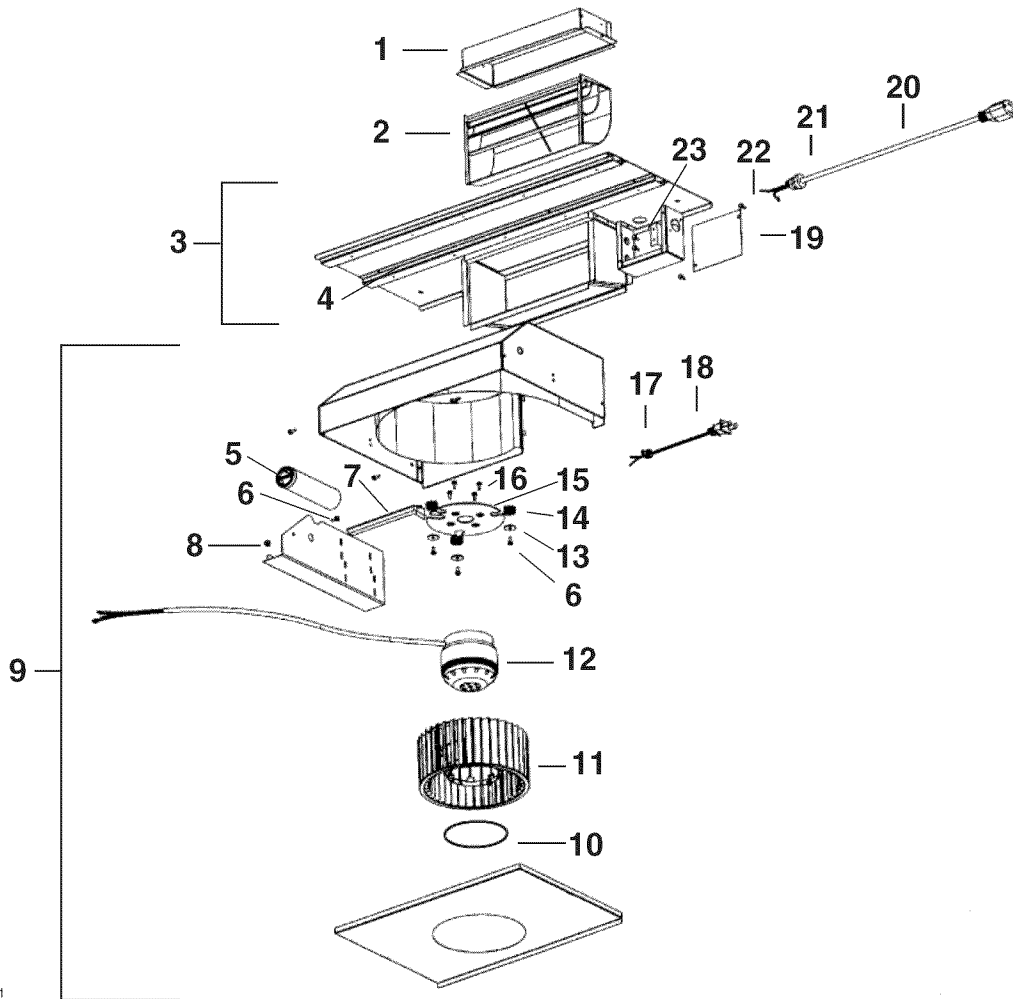
HL0035

| KEY # | PART NUMBER | DESCRIPTION   | QTY (hood width) |     |     |     |
|-------|-------------|---|------------------|-----|-----|-----|
|       |             |   | 30"              | 36" | 42" | 48" |
| 1     | V12969      | SWITCH ASSEMBLY, BLACK  | 1                | 1   | 1   | 1   |
| 2     | V16555      | LAMP SHELL, SOCKET & TRIM ASS'Y   | 2                | 2   | 3   | 3   |
| 3     | V05921      | HALOGEN BULB GU10   | 2                | 2   | 3   | 3   |
| 4     | V03255      | BOARD ASSEMBLY  | 1                | 1   | 1   | 1   |
| 5     | V03435      | THERMOSTAT  | 1                | 1   | 1   | 1   |
| 6     | V03436      | THERMOSTAT BRACKET  | 1                | 1   | 1   | 1   |
| 7     | V02773      | MALE CONNECTOR  | 1                | 1   | 1   | 1   |
| 8     | V02772      | FEMALE CONNECTOR  | 1                | 1   | 1   | 1   |
| 9     | V01869      | MACHINE SCREW #6-32 x 1/4"  | 1                | 1   | 1   | 1   |
| 10    | V01582      | LOCK NUT #6-32  | 1                | 1   | 1   | 1   |
| 11    | V05520      | SCREW #8-3/8" T/B #8 HEAD   | 8                | 8   | 8   | 8   |
| 12    | V01964      | SCREW #6-1/2, T/A   | 3                | 3   | 3   | 3   |
| 13    | V03462      | BEST FILTER 9.250" x 12.500"  | -                | 3   | -   | 4   |
|       | V03461      | BEST FILTER 11.125" x 12.500"   | 2                | -   | 3   | -   |
| 14    | V12514      | SIDE LINERS 30"   | 1                | -   | -   | -   |
|       | V12515      | SIDE LINERS 36"   | -                | 1   | -   | -   |
|       | V13113      | SIDE LINERS 42"   | -                | -   | 1   | -   |
|       | V12516      | SIDE LINERS 48"   | -                | -   | -   | 1   |
| 15    | V13220      | GREASE RAIL 30"   | 1                | -   | -   | -   |
|       | V13221      | GREASE RAIL 36"   | -                | 1   | -   | -   |
|       | V13112      | GREASE RAIL 42"   | -                | -   | 1   | -   |
|       | V13222      | GREASE RAIL 48"   | -                | -   | -   | 1   |
| 16    | V05869      | BEST BY BROAN LOGO  | 1                | 1   | 1   | 1   |
| 17    | V05528      | FILTER CLIP   | 3                | 3   | 4   | 4   |
|       | V07398      | HARNES  | 1                | 1   | 1   | 1   |
|       | V07400      | SPLITTING HARNES  | -                | -   | 1   | 1   |
|       | V03516      | INSTALLATION GUIDE  | 1                | 1   | 1   | 1   |
|       | V13278      | PARTS BAG : (4) lock nuts #10-32, (1) wire clamp LP16-AP, (2) wire connectors #74B, (8) double threaded screws 6-12 x 0.5, (6) #8 x 3/8" screws, (2) #6 x 1/2" screws | 1                | 1   | 1   | 1   |

# SERVICE PARTS

## SINGLE BLOWER/ROUGH-IN

(Model P5)



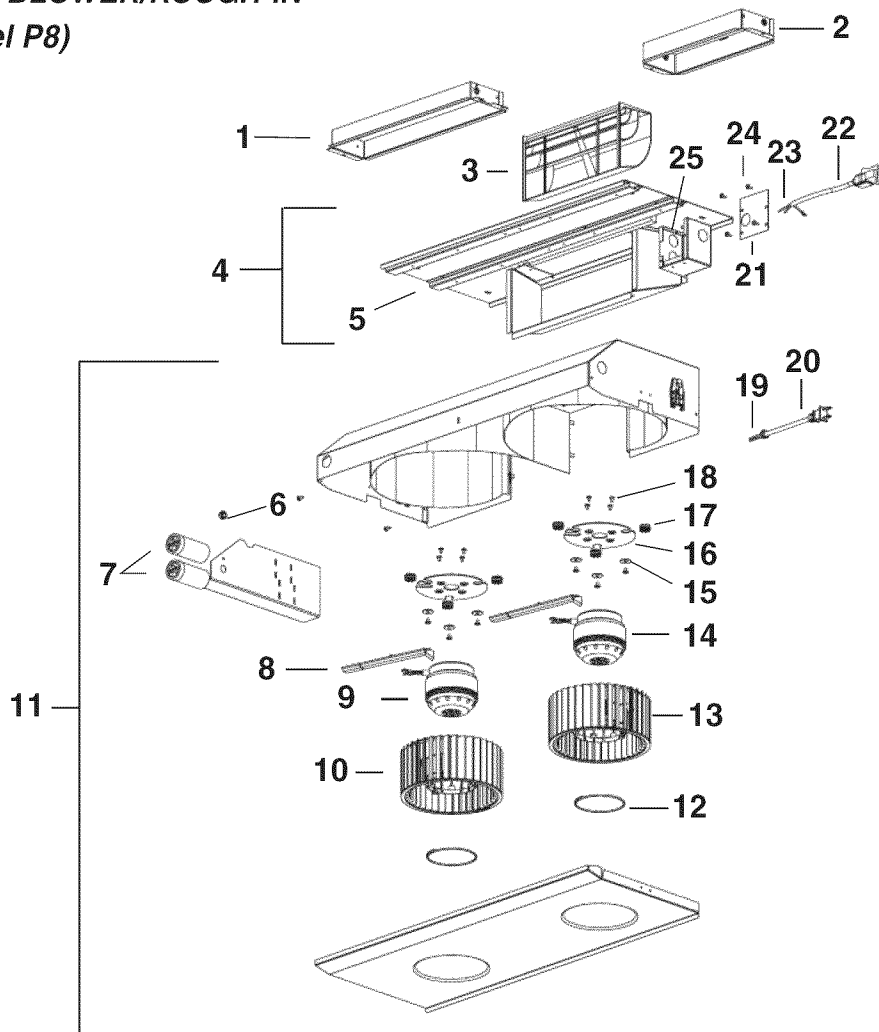
HL0021

| KEY # | PART NUMBER | DESCRIPTION                           | QTY |
|-------|-------------|---------------------------------------|-----|
| 1     | V13296      | ADAPTER AND DAMPER 3¼" x 10"          | 1   |
| 2     | V03500      | AIR DEFLECTOR                         | 1   |
| 3     | V12997      | SINGLE BLOWER ROUGH-IN PLATE ASSEMBLY | 1   |
| 4     | V03577      | FOAM 1/2" x 1/2" x 12"                | 1   |
| 5     | V02160      | CAPACITOR 15MFD                       | 1   |
| 6     | V01869      | MACHINE SCREW #6-32 x 1/4"            | 4   |
| 7     | V01857      | WIRE COVER                            | 1   |
| 8     | V01582      | LOCK NUT #6-32                        | 1   |
| 9     | V14973      | SINGLE BLOWER ASSEMBLY                | 1   |
| 10    | V01810      | IMPELLER RING                         | 1   |
| 11    | V03400      | BLOWER IMPELLER 7.094" x 3.375" CW    | 1   |
| 12    | V01766      | MOTOR 165 W CW                        | 1   |
| 13    | V00871      | WASHER 3/16"ID x 3/4" OD              | 3   |
| 14    | V02001      | MOTOR GROMMET G-431-1                 | 3   |
| 15    | V01831      | 8" TIE WRAP                           | 2   |
| 16    | V11705      | MOTOR MOUNT                           | 1   |
| 17    | V11614      | WIRE #18 TEW BROWN x 10"              | 1   |
| 18    | V03495      | STRAIN RELIEF FOR BLOWER POWER CORD   | 1   |
| 19    | V03494      | 36" BLOWER POWER CORD                 | 1   |
| 20    | V13230      | OUTLET BOX COVER                      | 1   |
| 21    | V03496      | POWER CORD, 120 VOLTS                 | 1   |
| 22    | V00660      | STRAIN RELIEF FOR POWER CORD          | 1   |
| 23    | V05520      | SCREW #8 x 3/8", T/B, #8 HEAD         | 2   |
|       | V00613      | SCREW #10-32 x 3/8", TF, GREEN        | 2   |

# SERVICE PARTS

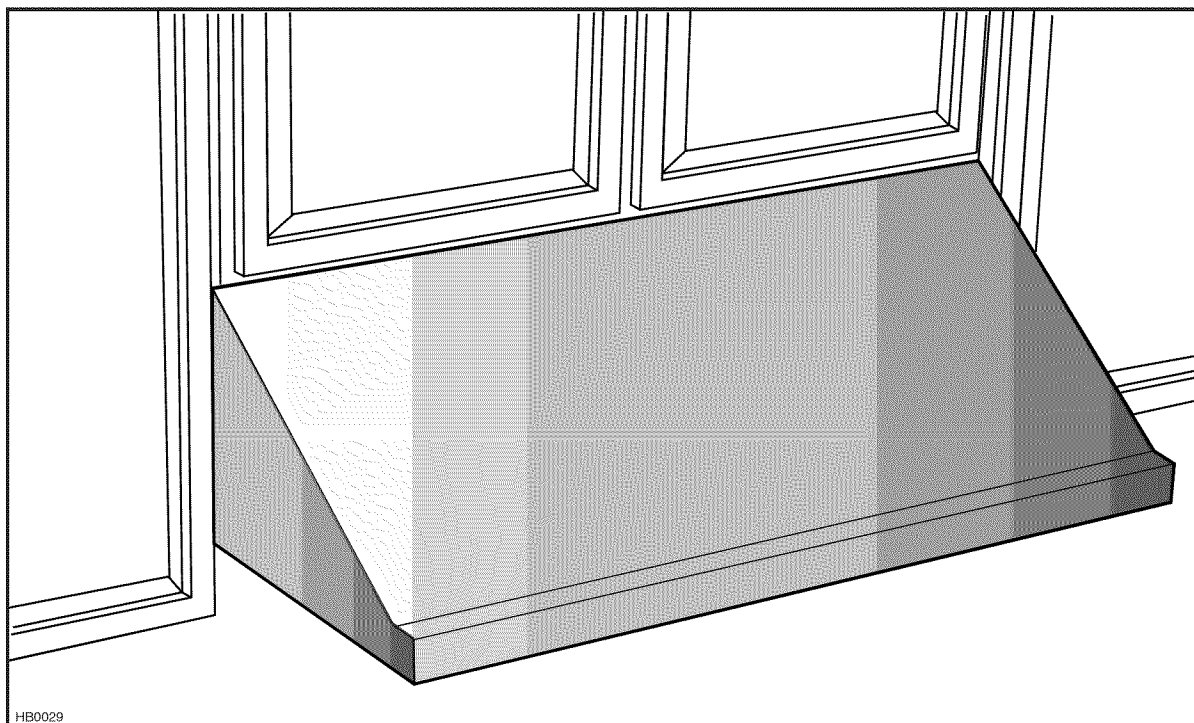
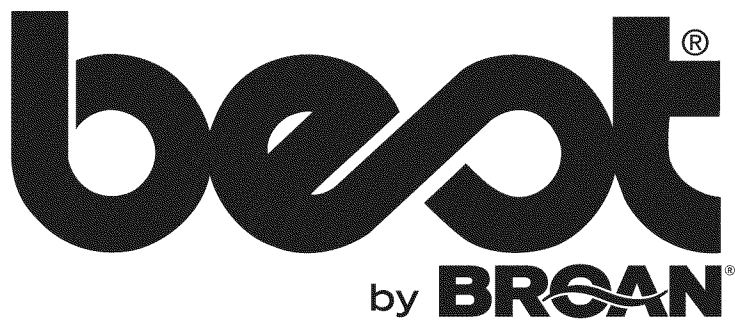
## DUAL BLOWER/ROUGH-IN

(Model P8)



| KEY # | PART NUMBER | DESCRIPTION                               | QTY |
|-------|-------------|---|-----|
| 1     | V14971      | ADAPTER AND DAMPER 3¼" x 14"              | 1   |
| 2     | V13296      | ADAPTER AND DAMPER 3¼" x 10"              | 1   |
| 3     | V03500      | AIR DEFLECTOR                             | 1   |
| 4     | V14975      | DUAL BLOWER ROUGH-IN PLATE ASSEMBLY       | 1   |
| 5     | V03577      | FOAM 1/2" x 1/2" x 12"                    | 1   |
| 6     | V01582      | LOCK NUT #6-32                            | 1   |
| 7     | V02160      | CAPACITOR 15MFD                           | 2   |
| 8     | V01857      | WIRE COVER                                | 2   |
| 9     | V01766      | MOTOR 165 W CW                            | 1   |
| 10    | V03400      | BLOWER IMPELLER, HOOD 7.094" x 3.375" CW  | 1   |
| 11    | V14974      | DUAL BLOWER ASSEMBLY                      | 1   |
| 12    | V01810      | IMPELLER RING                             | 2   |
| 13    | V03399      | BLOWER IMPELLER, HOOD 7.094" x 3.375" CCW | 1   |
| 14    | V03457      | MOTOR 165 W CCW                           | 1   |
| 15    | V00871      | WASHER 3/16" ID x 3/4" OD                 | 6   |
|       | V01831      | 8" TIE WRAP                               | 4   |
| 16    | V11705      | MOTOR MOUNT                               | 2   |
|       | V11614      | WIRE #18 TEW BROWN x 10"                  | 2   |
| 17    | V02001      | MOTOR GROMMET G-431-1                     | 6   |
| 18    | V01927      | METRIC SCREW M4 x 6 MM PAN QDRX           | 8   |
| 19    | V03495      | STRAIN RELIEF FOR BLOWER POWER CORD       | 1   |
| 20    | V03494      | 36" BLOWER POWER CORD                     | 1   |
| 21    | V14960      | OUTLET BOX COVER                          | 1   |
| 22    | V00660      | STRAIN RELIEF FOR POWER CORD              | 1   |
| 23    | V03496      | POWER CORD, 120 VOLTS                     | 1   |
| 24    | V05520      | SCREW #8 x 3/8", T/B, #8 HEAD             | 4   |
| 25    | V00613      | SCREW #10-32 x 3/8", TF, GREEN            | 2   |





## Modèle K210A

**⚠ CONÇU POUR USAGE DOMESTIQUE SEULEMENT ⚠**

**LIRE ET CONSERVER CES INSTRUCTIONS**

INSTALLATEUR : LAISSER CE GUIDE AU PROPRIÉTAIRE.  
PROPRIÉTAIRE : INSTRUCTIONS D'ENTRETIEN ET DE FONCTIONNEMENT EN  
PAGES 27 ET 28.

---

Aux États-Unis - BEST BY BROAN® P.O. Box 140, Hartford, WI 53027 USA  
Au Canada - BEST BY BROAN® 550 boul. Lemire, Drummondville, QC, J2C 7W9 CANADA

ENREGISTREZ VOTRE PRODUIT EN LIGNE À: [www.bestbybroan.com/register](http://www.bestbybroan.com/register)

Pour obtenir plus d'information, consultez notre site [www.bestbybroan.com](http://www.bestbybroan.com)

## AVERTISSEMENT

### AFIN DE RÉDUIRE LES RISQUES D'INCENDIE, D'ÉLECTROCUTION OU DE BLESSURES CORPORELLES, SUIVEZ LES INSTRUCTIONS SUIVANTES :

1. N'utilisez cet appareil que de la façon prévue par le fabricant. Si vous avez des questions, contactez le fabricant à l'adresse et au numéro de téléphone indiqués sur la garantie.
2. Avant de réparer ou de nettoyer l'appareil, couper l'alimentation électrique en verrouillant le panneau de service afin d'éviter sa remise en marche accidentelle. Si le panneau de service ne peut être verrouillé, y fixer un avertissement en évidence.
3. Les travaux d'installation et de raccordement électrique doivent être effectués par une personne qualifiée, conformément aux codes et aux standards de construction, dont ceux sur la prévention d'incendie.
4. Une quantité d'air adéquate est requise afin d'assurer une bonne combustion et l'évacuation des gaz par la cheminée dans le cas des équipements alimentés au gaz afin de prévenir les retours de cheminée. Conformez-vous aux instructions et aux standards de sécurité des fabricants d'équipement de chauffage, tel qu'ils sont publiés par la *National Fire Protection Association* (NFPA) et l'*American Society for Heating, Refrigeration and Air Conditioning Engineers* (ASHRAE) ainsi que les responsables des codes locaux.
5. Lorsque vous coupez ou percez un mur ou un plafond, prenez garde de ne pas endommager les fils électriques ou tout appareil cachés.
6. Les ventilateurs avec conduits doivent toujours évacuer l'air à l'extérieur.
7. Ne pas utiliser cet appareil avec une commande de vitesse à semiconducteur additionnelle.
8. Afin de réduire les risques d'incendie, n'utilisez que des conduits de métal.
9. Cet appareil doit être mis à la terre.

### AFIN DE RÉDUIRE LES RISQUES DE FEU DE CUISINIÈRE :

- a) Ne jamais laisser les appareils de cuisson sans surveillance lorsqu'ils sont réglés à feu vif. Les débordements engendrent de la fumée et des déversements graisseux pouvant s'enflammer. Chauffez l'huile lentement, à feu doux ou moyen.
- b) Mettez toujours la hotte en marche lorsque vous cuisinez à feu vif ou que vous cuisinez des mets flambés (par ex. : crêpes Suzette, cerises jubilé, steak au poivre flambé).
- c) Nettoyez régulièrement la (les) roue(s) du ventilateur. Ne laissez pas la graisse s'accumuler sur le ventilateur ou les filtres.
- d) Utilisez le bon format de casserole. Servez-vous toujours de casseroles et d'ustensiles appropriés à la dimension de la surface chauffante.

## AVERTISSEMENT

### AFIN D'ÉVITER TOUT RISQUE DE BLESSURES LORS D'UN FEU DE CUISINIÈRE, SUIVEZ LES INSTRUCTIONS SUIVANTES\* :

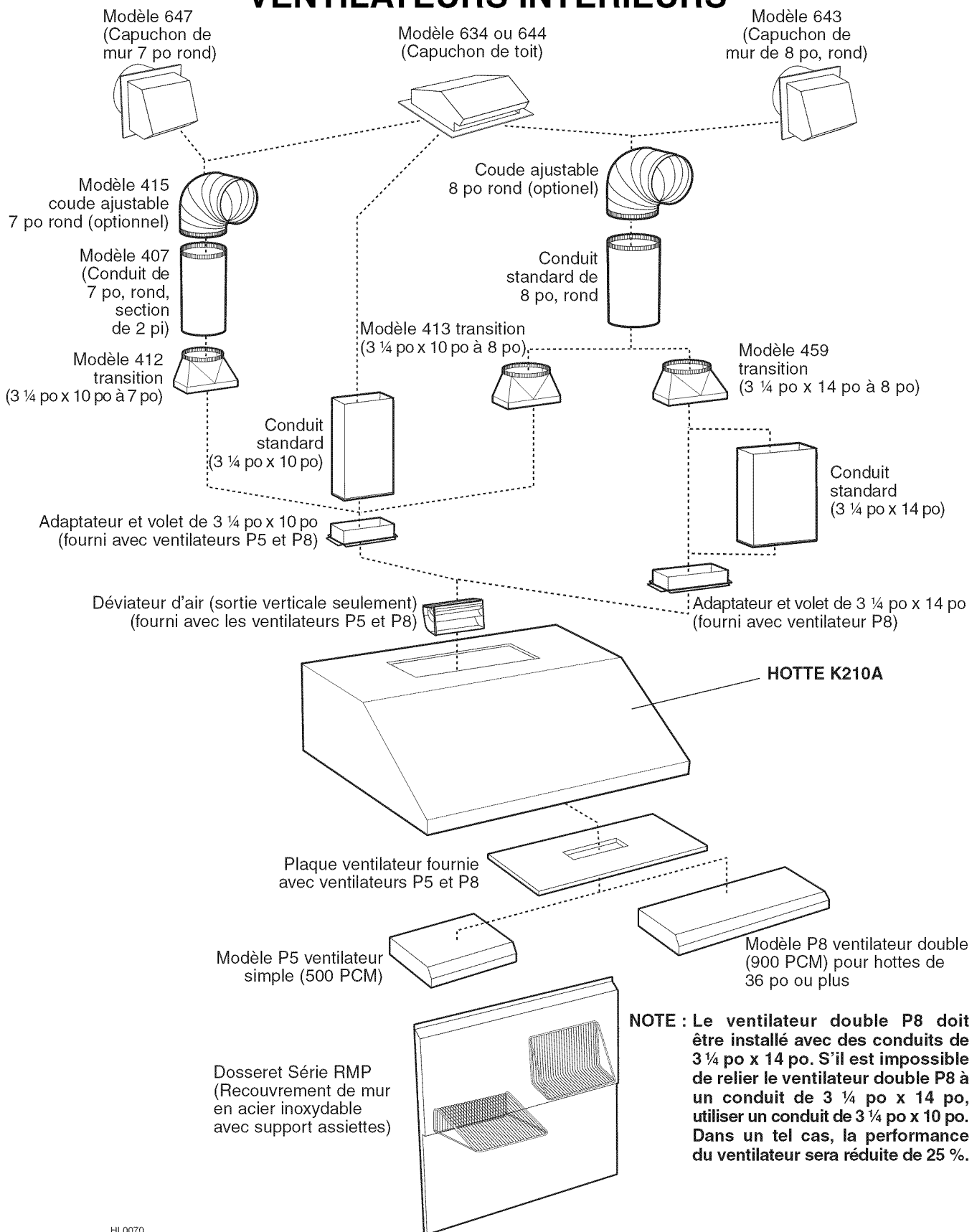
1. Éteufiez les flammes avec un couvercle hermétique, une tôle à biscuits ou un plateau métallique, puis éteignez le brûleur. ÉVITEZ DE VOUS BRÛLER. SI LES FLAMMES NE S'ÉTEignent PAS IMMÉDIATEMENT, ÉVACUEZ LES LIEUX ET APPELEZ LES POMPIERS.
2. NE PRENEZ JAMAIS UNE CASSEROLE EN FLAMMES DANS VOS MAINS; vous pourriez vous brûler.
3. N'UTILISEZ PAS D'EAU, ni de linge à vaisselle ou de serviette mouillés; cela pourrait occasionner une violente explosion de vapeur.
4. N'utilisez un extincteur SEULEMENT LORSQUE :
  - A. Vous savez qu'il s'agit d'un extincteur de classe ABC et que vous en connaissez le fonctionnement.
  - B. L'incendie est petit et limité à l'endroit où il a débuté.
  - C. Les pompiers ont été avisés.
  - D. Vous pouvez combattre l'incendie en ayant accès à une sortie de secours.

\*Tirées du "Kitchen Fire Safety Tips" publié par la NFPA.

## ATTENTION

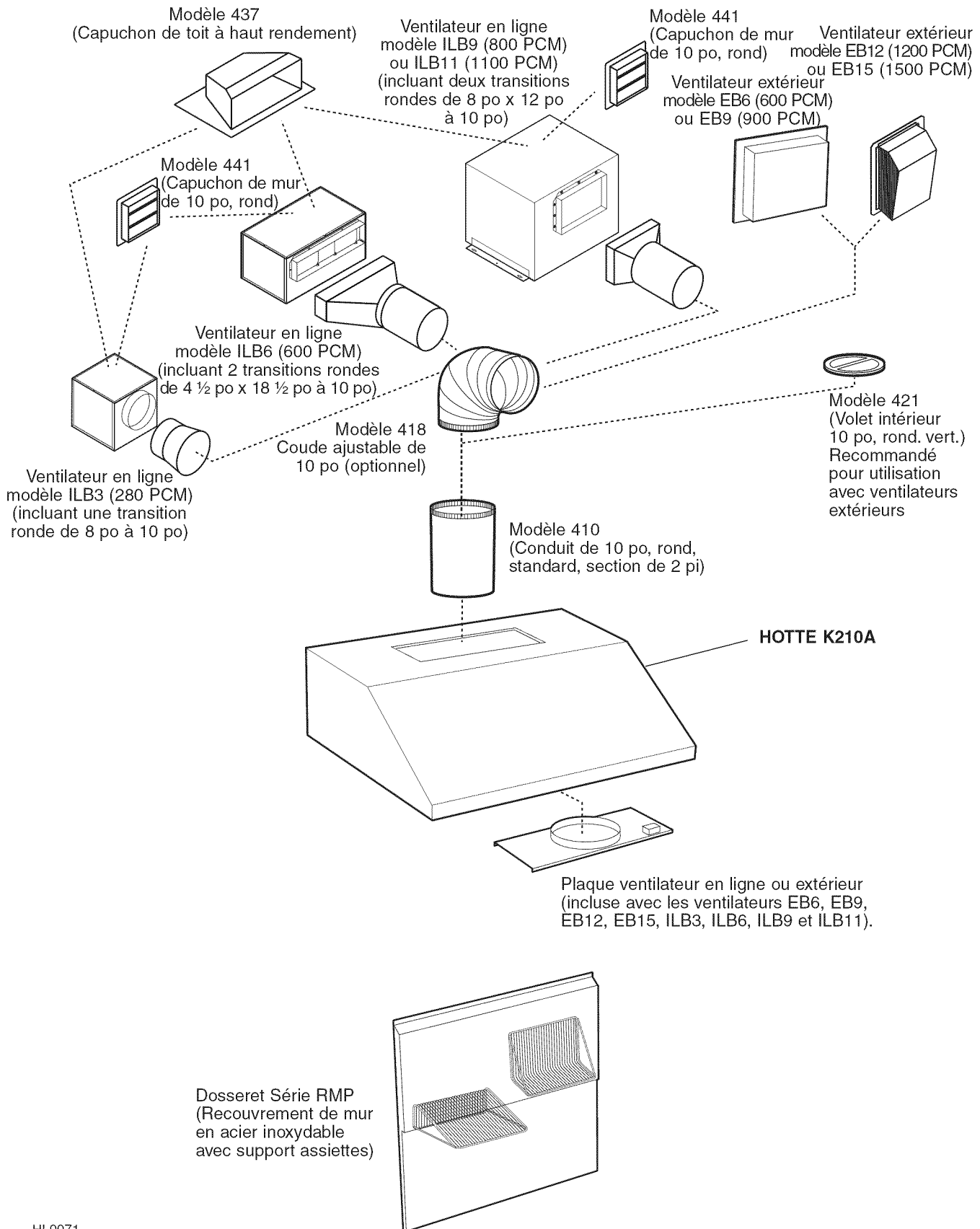
1. Pour usage domestique seulement. Ne pas utiliser pour évacuer des vapeurs ou des matières dangereuses ou explosives.
2. Afin d'éviter tout dommage au moteur et de débalancer ou de rendre bruyante la roue du moteur, garder votre appareil à l'abri des poussières de gypse et de construction/rénovation, etc.
3. Le moteur de votre hotte possède une protection thermique qui l'éteindra automatiquement s'il devient surchauffé. Le moteur redémarrera automatiquement une fois refroidi. Si le moteur continue de s'éteindre et de se remettre en marche, faites-le vérifier.
4. La distance minimale entre le bas de votre hotte et la surface de cuisson ne doit pas être inférieure à 20 po (24 po d'une cuisinière à gaz). Un maximum de 30 po au-dessus de la surface de cuisson est fortement recommandé pour une meilleure évacuation des odeurs de cuisson.
5. Vu la grande dimension et le poids de cette hotte, il est recommandé de confier son installation à deux personnes.
6. Afin de réduire les risques d'incendie, assurez-vous d'évacuer l'air à l'extérieur. Ne pas évacuer l'air dans des espaces restreints comme l'intérieur des murs ou plafond ou dans le grenier, vide sanitaire ou garage.
7. Cet appareil est équipé d'un thermostat pouvant faire démarrer le ventilateur automatiquement. Afin de réduire le risque de blessure, couper le courant à partir du panneau électrique et verrouiller ou apposer un avertissement sur le panneau afin de prévenir que la hotte soit mise en marche automatiquement.
8. À cause de la grande capacité d'évacuation de cette hotte, il est recommandé d'ouvrir une fenêtre dans ou près de la cuisine afin de remplacer l'air évacué.
9. Afin de réduire les risques d'incendie et d'électrocution, la hotte Best by Broan K210A doit être installée uniquement avec l'un des ventilateurs intérieurs Best by Broan suivants : P5 ou P8; l'un des ventilateurs extérieurs Best by Broan suivants : EB6, EB9, EB12 ou EB15; l'un des ventilateurs en ligne Best by Broan suivants : ILB3, ILB6, ILB9 ou ILB11 (vendus séparément). Aucun autre ventilateur ne doit être utilisé.
10. Cette hotte ne doit être utilisée seulement qu'avec un ensemble de cordon d'alimentation approuvé.
11. Veuillez consulter l'autocollant apposé à l'intérieur de la hotte pour plus d'information ou autres exigences.

# - SYSTÈME DE HOTTE DE CUISINIÈRE MODÈLE K210A - VENTILATEURS INTÉRIEURS



HL0070

# - SYSTÈME DE HOTTE DE CUISINIÈRE MODÈLE K210A - VENTILATEURS EN LIGNE OU EXTÉRIEURS



# 1. SÉLECTIONNER L'OPTION VENTILATEUR ET INSTALLER LES CONDUITS

Cette hotte fonctionne autant avec un ventilateur intérieur, en ligne ou extérieur. La hotte Best de la série K210A doit être installée uniquement avec l'un des ventilateurs suivants : P5, P8, ILB3, ILB6, ILB9, ILB11, EB6, EB9, EB12 ou EB15 (vendus séparément). Aucun autre ventilateur ne peut être utilisé.

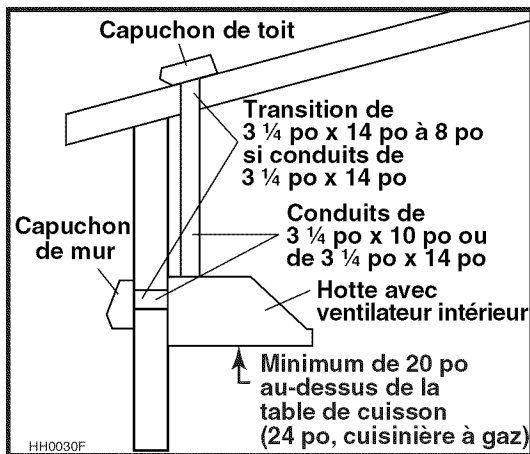
Déterminer à quel endroit et de quelle façon les conduits seront installés.

**Si un ventilateur en ligne est installé, se reporter aux directives incluses avec celui-ci et suivre les étapes 1 à 3, 6, 9, 10, 12 et suivantes de ce guide.**

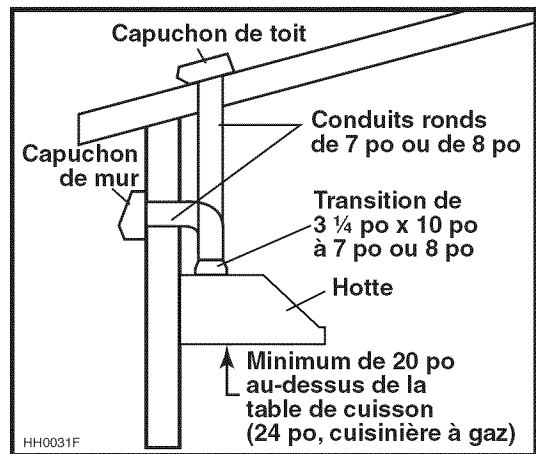
Installer des conduits de dimension adéquate, coude(s) et capuchon de mur ou de toit selon le type de ventilateur. Si des conduits circulaires de 7 po ou de 8 po sont utilisés, se servir d'une transition. Utiliser du ruban adhésif en toile de 2 po pour assurer l'étanchéité des joints.

**La distance minimale entre le bas de votre hotte et la surface de cuisson ne doit pas être inférieure à 20 po (24 po pour une cuisinière à gaz). Un maximum de 30 po au-dessus de la surface de cuisson est fortement recommandé pour une meilleure évacuation des odeurs de cuisson.**

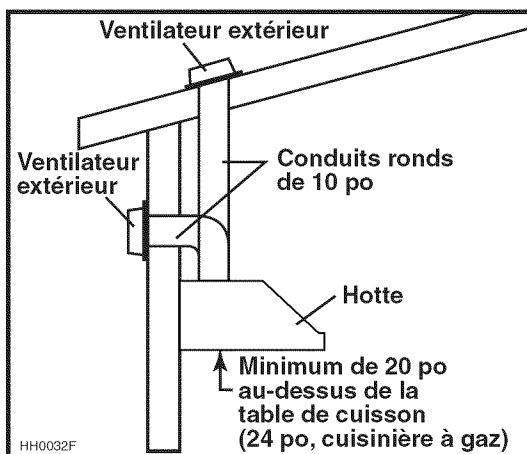
Une distance de plus de 30 po demeure à la discrétion de l'installateur et de l'utilisateur.



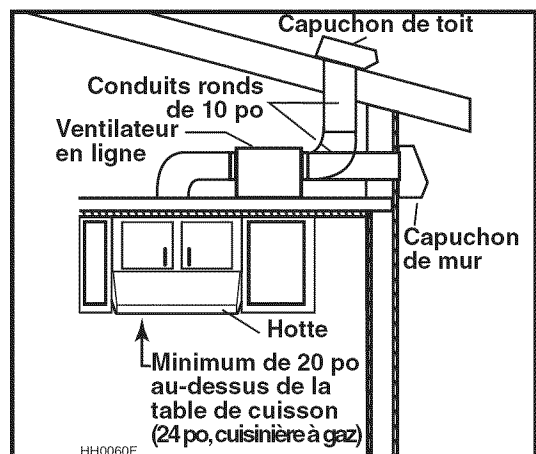
INSTALLATION DE CONDUITS RECTANGULAIRES AVEC VENTILATEUR INTÉRIEUR MODÈLE P5 (SIMPLE) OU P8 (DOUBLE)



INSTALLATION DE CONDUITS CIRCULAIRES DE 7 PO OU DE 8 PO AVEC VENTILATEUR INTÉRIEUR MODÈLE P5 (SIMPLE) OU P8 (DOUBLE)



INSTALLATION TYPIQUE AVEC VENTILATEUR EXTÉRIEUR MODÈLES EB6, EB9, EB12 OU EB15



INSTALLATION TYPIQUE AVEC VENTILATEUR EN LIGNE MODÈLES ILB3, ILB6, ILB9 OU ILB11

## 2. PRÉPARER L'INSTALLATION

### ATTENTION

Il est recommandé de porter des lunettes et des gants de sécurité lors de l'installation, de l'entretien ou de la réparation de cet appareil.

S'assurer que les articles suivants sont inclus :

- Hotte
- Accessoires :
  - Filtres
  - Sac de pièces incluant :
    - (4) écrous dentelés, (1) serre-fils, (8) vis 1/2 po à double filet, (2) connecteurs (genre « Marette »), (2) vis 1/2 po standard, (6) vis 3/8 po standard

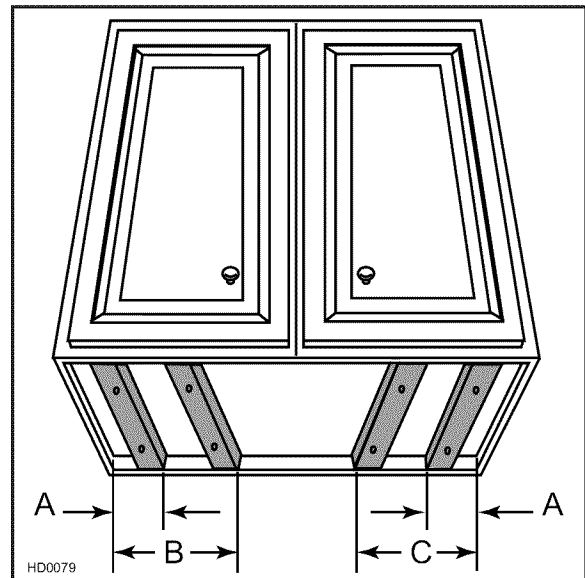
Pièces vendues séparément :

- Ventilateur interne, modèle P5, incluant ventilateur, plaque ventilateur, déviateur et adaptateur 3 ¼ po x 10 po
- Ventilateur interne modèle P8 incluant ventilateur, plaque ventilateur, déviateur et adaptateur 3 ¼ po x 10 po et adaptateur 3 ¼ po x 14 po
- Ensemble ventilateur en ligne, modèles ILB3, ILB6, ILB9 ou ILB11 (tous incluant la plaque ventilateur et la transition)
- Ensemble ventilateur extérieur, modèles EB6, EB9, EB12 ou EB15 (tous incluant la plaque ventilateur)
- Ampoules halogènes (120 V, 50 W, PAR 20)
- Lampes chauffantes (120 V, IR 175 W, PAR 38)
- Dossieret (optionnel)
- Filtres à chicane (optionnels)
- Transitions, conduits, coudes, volets, capuchons de mur ou de toit. Consulter les pages 19 et 20 pour la liste complète des accessoires de ventilation et les numéros de modèle.

NOTE : Si le fond de l'armoire est en retrait, y fixer des baguettes de bois (non incluses) de chaque côté.

Pour une hotte de 30 po de largeur, utiliser deux (2) baguettes de 2 po de largeur et, pour une hotte plus large, 4 baguettes de longueur appropriée. Voir ci-dessous pour l'emplacement des baguettes.

| LARGEUR<br>DE HOTTE | EMPLACEMENT |         |         |
|---------------------|-------------|---------|---------|
|                     | A           | B       | C       |
| 30 PO               | 2 PO        | s/o     | s/o     |
| 36 PO               | 2 PO        | 4 ½ PO  | 4 ½ PO  |
| 42 PO               | 2 PO        | 7 ¼ PO  | 8 ¼ PO  |
| 48 PO               | 4 PO        | 10 ¼ PO | 11 ¼ PO |



## 3. INSTALLER LE DOSSERET (OPTIONNEL)

Le dossieret doit être installé avant la hotte, puisque celle-ci couvre les vis d'installation du dossieret. Afin de pouvoir installer le dossieret, s'assurer d'avoir 18 po entre le dessous de la hotte et le panneau de contrôle de la cuisinière ou de la surface de cuisson. (Voir instructions fournies avec le dossieret.)

## 4. SÉLECTIONNER L'OPTION VENTILATEUR (EXTÉRIEUR OU INTÉRIEUR)

VENTILATEUR INTÉRIEUR : Suivre toutes les étapes subséquentes de ce guide.

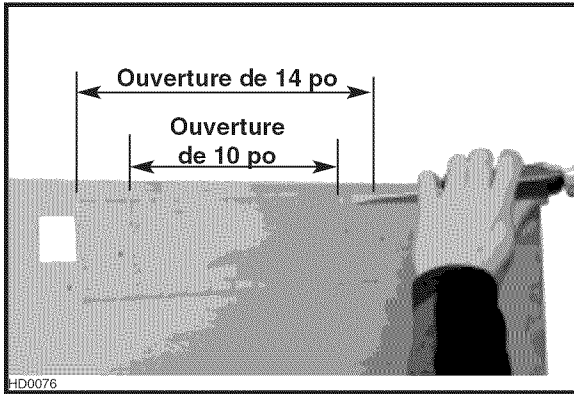
VENTILATEUR EXTÉRIEUR : Voir les instructions fournies avec le ventilateur extérieur et suivre les étapes 6, 9, 10, 12 et suivantes du présent guide.

## 5. CHOISIR L'OUVERTURE (VENTILATEUR INTÉRIEUR)

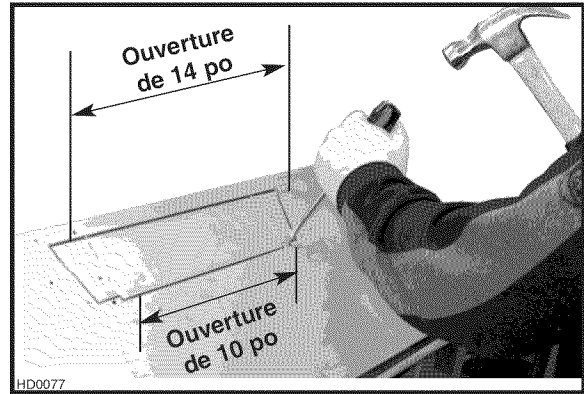
Enlever l'ouverture préamorcée choisie pour la sortie d'air de la hotte (horizontale à l'arrière de la hotte ou verticale sur la plaque du ventilateur). Voir les photos ci-dessous.

### ATTENTION

Si un ventilateur P5 est installé, enlever l'ouverture préamorcée de 10 po de largeur (la plus petite).  
Si un ventilateur P8 est installé, retirer l'ouverture préamorcée de largeur correspondante aux conduits (10 po ou 14 po).



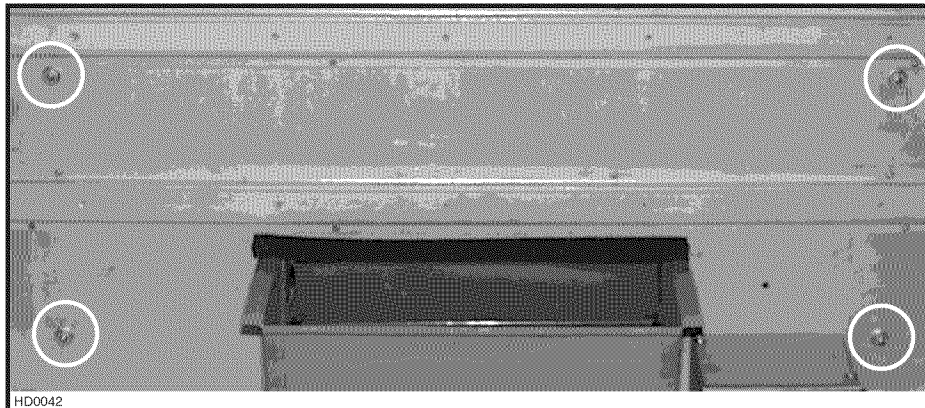
Retrait de l'ouverture préamorcée à l'arrière de la hotte



Retrait de l'ouverture préamorcée sur la plaque du ventilateur

## 6. INSTALLER LA PLAQUE VENTILATEUR (TOUS LES VENTILATEURS)

VENTILATEUR INTÉRIEUR : Installer la plaque (incluse avec les ventilateurs P5 et P8) à l'intérieur de la hotte en utilisant 4 écrous dentelés. Voir la photo ci-dessous.

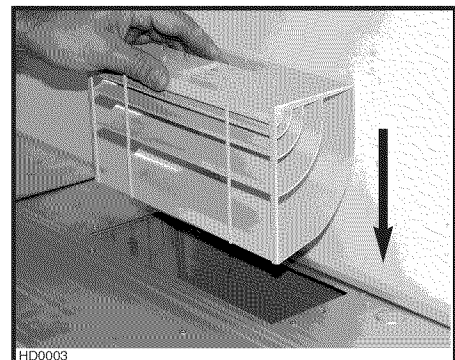


VENTILATEUR EXTÉRIEUR OU EN LIGNE : Voir les instructions incluses avec la plaque ventilateur des ventilateurs de modèle ILB, ILB6, ILB9, ILB11, EB6, EB9, EB12 ou EB15. Installer la plaque à l'intérieur du module en utilisant 4 écrous dentelés.

## 7. INSTALLER LE DÉVIATEUR (VENTILATEUR INTÉRIEUR)

Si la hotte est montée de façon à évacuer l'air verticalement, le **déviateur doit être installé**. Installer le déviateur tel qu'illustré.

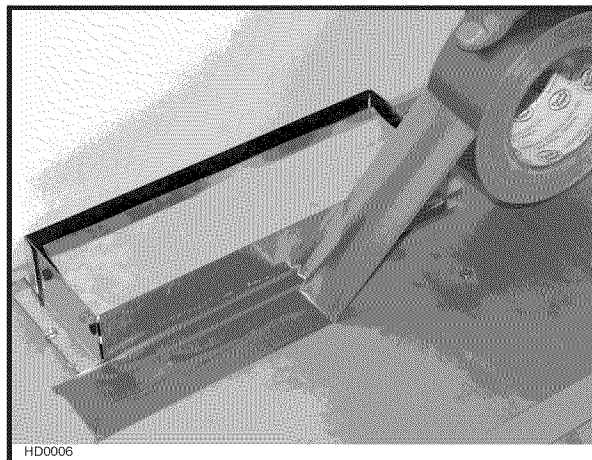
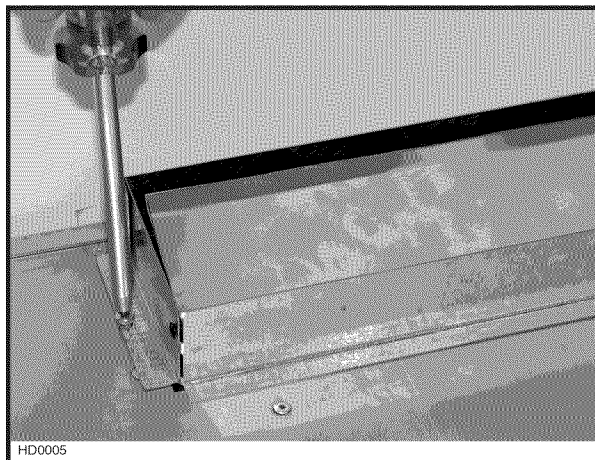
NOTE : Il est normal que le déviateur n'entre pas entièrement dans la hotte; il dépasse d'environ 1/8 po.



Insertion du déviateur dans l'ouverture verticale

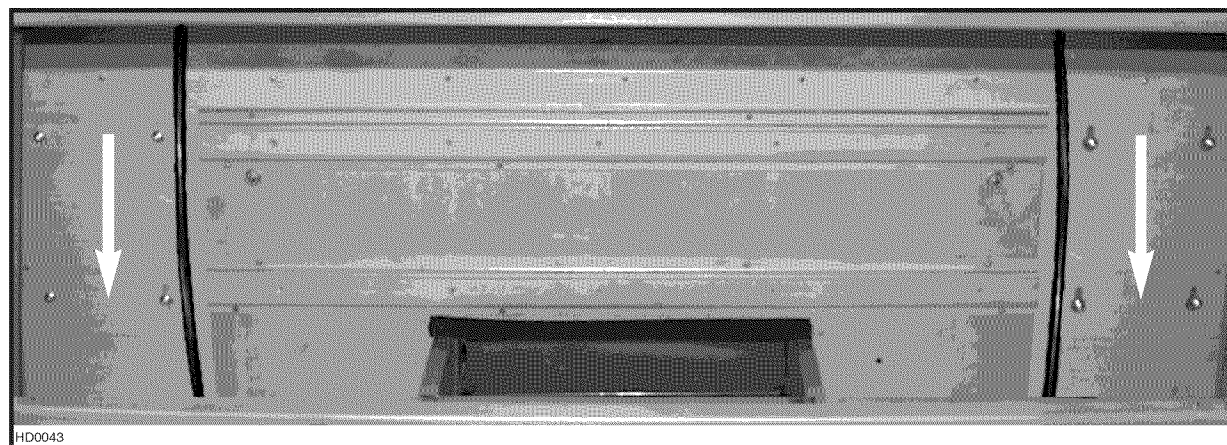
## 8. INSTALLER L' ADAPTATEUR (VENTILATEUR INTÉRIEUR)

En utilisant les 2 vis standard de 1/2 po, installer l'adaptateur sur le dessus (ou à l'arrière) de la hotte. Puis, sceller hermétiquement l'adaptateur à l'aide de ruban adhésif en toile.



## 9. INSTALLER LA HOTTE (TOUS LES VENTILATEURS)

**VENTILATEUR INTÉRIEUR :** Passer l'alimentation électrique jusqu'à l'endroit de l'installation de la hotte. Placer la hotte à son emplacement. Marquer la position des vis (petite partie du trou en forme de poire) à l'aide d'un crayon. Retirer la hotte et installer les 8 vis de 1/2 po double filet en laissant un espace de 1/8 po (4 vis pour la hotte de 30 po). Enlever le couvercle de la boîte électrique et y insérer le serre-fil. Passer le câble électrique dans la hotte et serrer la vis du serre-fil à l'entrée de la hotte pour maintenir les fils en place. Placer la hotte sous l'armoire (les vis passent à travers la grosse partie des trous) et glisser la hotte en position. S'assurer que l'adaptateur entre dans le conduit. Visser complètement les vis pour maintenir la hotte en position.



**VENTILATEUR EN LIGNE OU EXTÉRIEUR :** Passer l'alimentation électrique jusqu'à l'endroit de l'installation de la hotte. Placer la hotte à son emplacement. Marquer la position des vis (petite partie du trou en forme de poire) à l'aide d'un crayon. Retirer la hotte et installer les 8 vis de 1/2 po double filet en laissant un espace de 1/8 po (4 vis pour la hotte de 30 po). Enlever le couvercle de la boîte électrique située sur le dessus de la hotte et effectuer le branchement électrique (voir les instructions incluses avec le ventilateur en ligne ou extérieur). Placer la hotte sous l'armoire (les vis passent à travers la grosse partie des trous) et glisser la hotte en position. Visser complètement les vis pour maintenir la hotte en position.



## 10. BRANCHEMENTS ÉLECTRIQUES (TOUS LES VENTILATEURS)

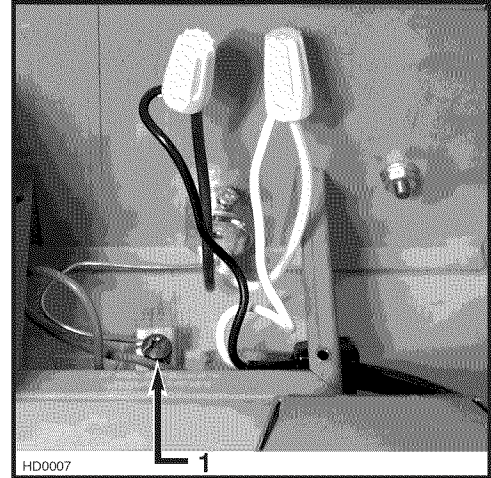
### AVERTISSEMENT

Risque d'électrocution. Le raccordement électrique doit être effectué par du personnel qualifié conformément aux codes et aux standards en vigueur. Avant d'effectuer le branchement, coupez l'alimentation électrique au panneau de service et verrouillez-le pour éviter une mise en marche accidentelle.

VENTILATEUR INTÉRIEUR : Brancher les fils à la boîte électrique en utilisant les connecteurs. Connecter le fil NOIR au NOIR, le BLANC au BLANC et le VERT ou DÉNUDÉ à la vis de mise à la terre.

Refermer le couvercle.

**NE PAS OUBLIER DE CONNECTER LA MISE À LA TERRE.**

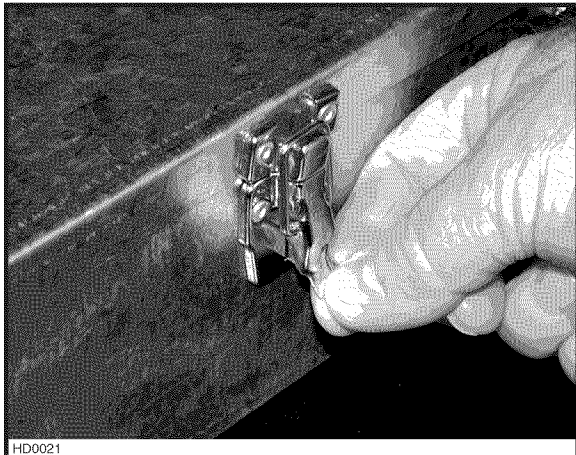


1) Vis de mise à la terre

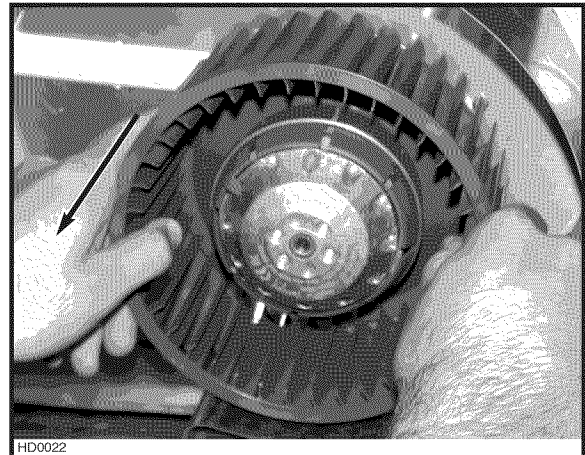
VENTILATEUR EN LIGNE OU EXTÉRIEUR : Enlever le couvercle de la boîte électrique de la plaque ventilateur et effectuer le branchement électrique (voir les directives incluses avec le ventilateur en ligne ou extérieur).

## 11. INSTALLER LE VENTILATEUR (VENTILATEUR INTERNE)

Le ventilateur doit être installé à la plaque ventilateur en utilisant 4 vis de 3/8 po pour le ventilateur simple et 6 vis de 3/8 po pour le ventilateur double. Enlever le couvercle du ventilateur. Puis, retirer la ou les roue(s) du ventilateur en tirant délicatement (voir photos ci-dessous).



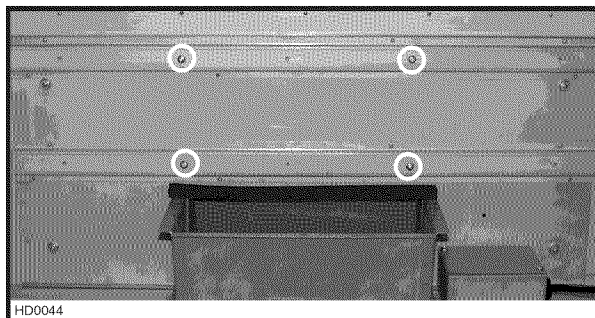
HD0021



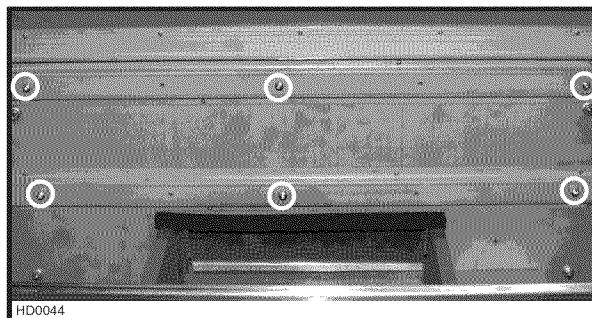
HD0022

## 11. INSTALLER LE VENTILATEUR (VENTILATEUR INTERNE) (SUITE)

Installer les vis aux endroits indiqués sur les photos ci-dessous (ventilateur simple ou double) en laissant un espace d'environ 1/8 po. Accrocher ensuite le ventilateur à la plaque ventilateur (passer les têtes de vis à travers la grande partie des trous). Glisser ensuite le ventilateur en position (les têtes de vis dans la petite partie des trous). Serrer complètement les vis.

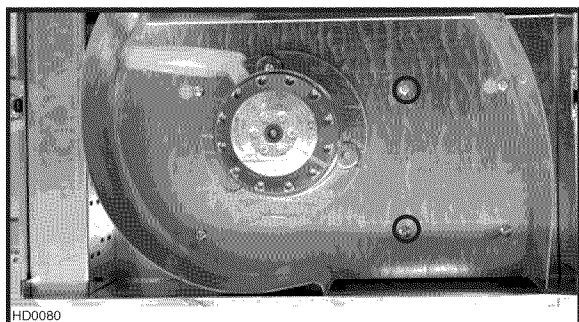


Ventilateur simple (P5)

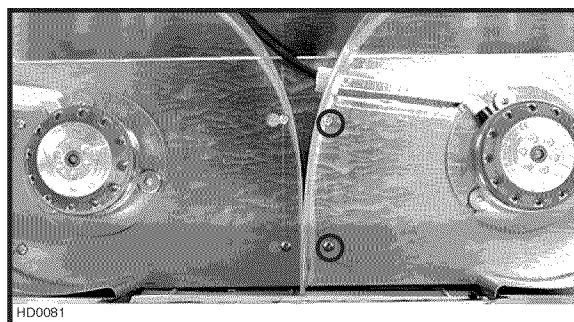


Ventilateur double (P8)

Terminer la fixation du ventilateur à l'aide de 2 autres vis aux endroits indiqués sur les photos ci-dessous (ventilateur simple ou double). Remettre en place la ou les roue(s) du ventilateur et le couvercle.

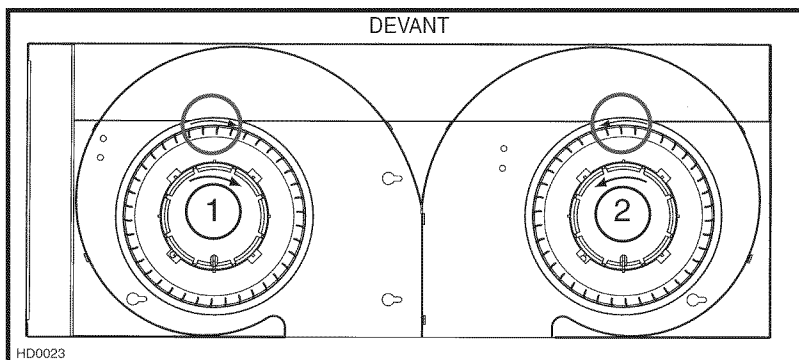


Ventilateur simple (P5)



Ventilateur double (P8)

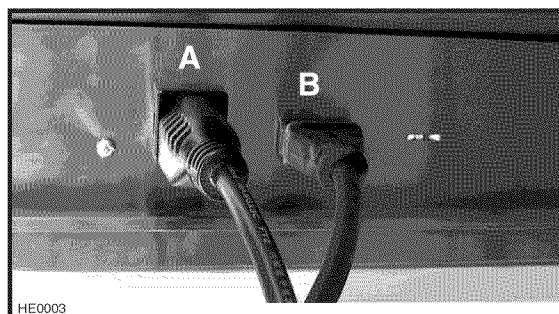
POUR LE VENTILATEUR DOUBLE, S'ASSURER QUE LES ROUES SOIENT CORRECTEMENT REPLACÉES; LA HOTTE NE FONCTIONNERA PAS NORMALEMENT SI ELLES SONT INVERSÉES. Les ventilateurs doubles possèdent deux roues différentes; une doit tourner dans le sens des aiguilles d'une montre et l'autre dans le sens contraire des aiguilles d'une montre. Chaque roue et moteur portent une flèche et un numéro, vous devez les assortir correctement. (Voir dessin ci-contre.)



### AVERTISSEMENT

**Ne jamais brancher le fil électrique du ventilateur à la prise femelle du cordon d'alimentation.**

Brancher le cordon de la boîte électrique (A) et le ventilateur (B) aux prises derrière le panneau de contrôle à l'intérieur de la hotte.



## 12. LAMPES HALOGÈNES

Cette hotte utilise des ampoules halogènes avec écran (120 V, 50 W, MR16 avec culot GU10, ou PAR16 avec culot GU10) non incluses.

### ⚠ AVERTISSEMENT

**Afin de réduire le risque de blessures corporelles, ne pas installer une ampoule conçue uniquement pour des luminaires fermés.**

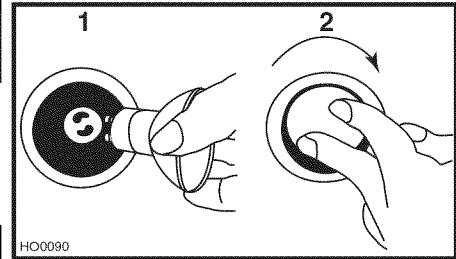
1. Installer les ampoules en glissant leurs conducteurs dans les rainures, à l'intérieur des douilles.
2. Pousser doucement vers le haut et tourner dans le sens des aiguilles d'une montre jusqu'à ce que les ampoules soient bien en place.

### ⚠ AVERTISSEMENT

**Afin de réduire le risque de blessures corporelles, attendre que l'ampoule halogène soit refroidie avant de la retirer.**

Pour retirer les ampoules, pousser doucement vers le haut et tourner dans le sens contraire des aiguilles d'une montre pour désengager les conducteurs hors de leur rainure.

NOTE : Si nécessaire, utiliser un gant à vaisselle pour obtenir une meilleure prise de l'ampoule lors de son retrait.

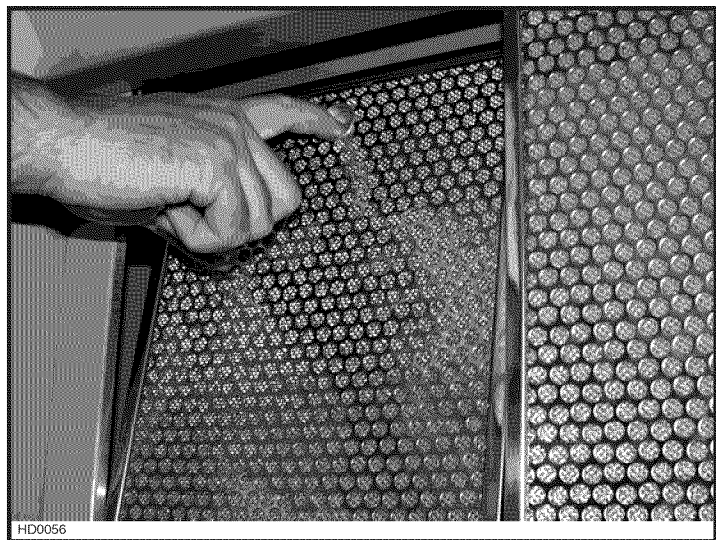
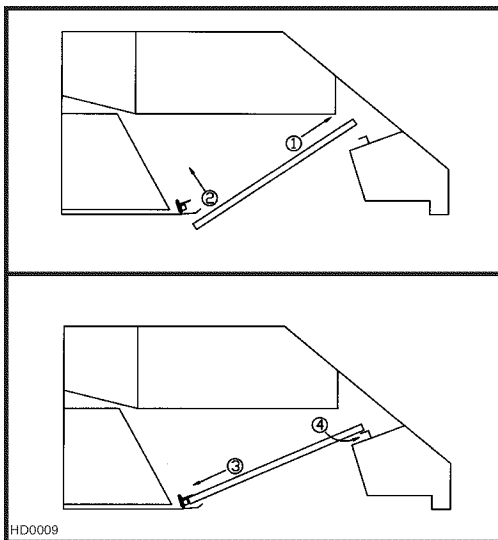


## 13. INSTALLER LES FILTRES

Il est recommandé d'installer d'abord les filtres situés aux extrémités et de terminer par le(s) filtre(s) du centre.

1. Insérer la partie supérieure du filtre dans la hotte (côté de la languette).
2. Faire pivoter la partie inférieure vers l'intérieur de la hotte.
3. Placer le filtre sous l'attache située au fond de la hotte.
4. En utilisant la poignée, glisser le filtre sous la pièce de retenue intérieure.

Des filtres à chicane sont disponibles en option. (Voir la feuille d'installation incluse avec les filtres à chicane.)



## 14. ENTRETIEN

Filtres et roue(s) de ventilateur.

Les filtres, la gouttière et la ou les roue(s) de ventilateur doivent être fréquemment nettoyés. Utiliser de l'eau chaude additionnée de détergent. Les filtres et les roues peuvent être nettoyés au lave-vaisselle.

Pousser les filtres vers l'intérieur de la hotte et les désengager hors de la gouttière, puis les retirer de la hotte.

## 14. ENTRETIEN (SUITE)

### *Nettoyage de la hotte*

#### Acier inoxydable : Comment maintenir son apparence étincelante

##### **À faire :**

- Laver régulièrement les surfaces à l'aide d'un chiffon ou d'un linge propre imbibé d'eau tiède et de savon doux ou de détergent à vaisselle.
- Toujours nettoyer dans le sens des lignes de grain (direction du polissage).
- Toujours bien rincer avec de l'eau propre (2 ou 3 fois) après le nettoyage, puis essuyer complètement.
- Un nettoyant domestique conçu spécialement pour l'acier inoxydable peut aussi être utilisé.

##### **À ne pas faire :**

- N'utiliser aucune laine d'acier ou d'acier inoxydable ou tout autre grattoir pour enlever la saleté tenace.
- N'utiliser aucune poudre nettoyante abrasive ou rugueuse.
- Ne pas laisser la saleté s'accumuler.
- Ne pas laisser la poussière de plâtre ou tout autre résidu de construction/rénovation atteindre la hotte. Couvrir la hotte pour la durée des travaux pour s'assurer qu'aucune poussière n'adhère à la surface de l'acier.

##### **À éviter lors du choix d'un détergent :**

- Tout produit nettoyant qui contient des **agents de blanchiment**; il attaquera l'acier inoxydable.
- Tout produit contenant du **chlorure**, du **fluorure**, de l'**iode** ou du **bromure**; il détériorera rapidement les surfaces.
- Tout **produit combustible** utilisé pour le nettoyage : **acétone**, **alcool**, **éther**, **benzène**, etc.; ces produits sont hautement explosifs et ne devraient jamais être utilisés près d'une cuisinière.

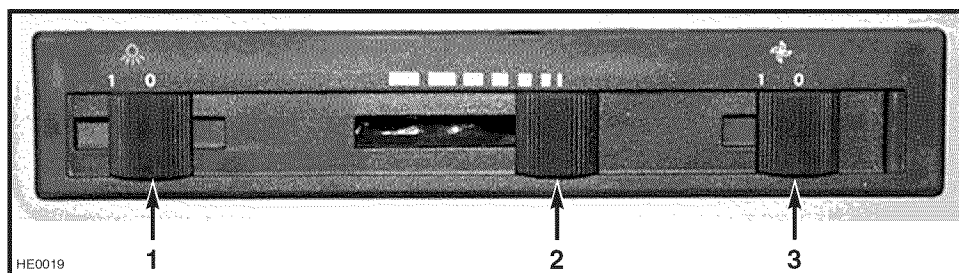
#### Surfaces peintes :

Nettoyer seulement avec de l'eau chaude additionnée d'un détergent doux. S'il y a décoloration, utiliser une bonne cire à peinture telle qu'une cire automobile. (**NE PAS UTILISER** de nettoyant abrasif rugueux ou de nettoyant à porcelaine.)

## 15. FONCTIONNEMENT

Toujours mettre en marche la hotte avant de commencer la cuisson afin d'établir une circulation d'air dans la cuisine. Laisser également la hotte fonctionner quelques minutes après l'arrêt de la cuisinière afin de nettoyer l'air. Cela aidera à maintenir la cuisine plus propre et plus étincelante.

La hotte fonctionne en utilisant les (3) commandes à glissière situées sous le rebord inférieur avant de la hotte.



- 1) Commande d'éclairage
- 2) Commande de la vitesse du ventilateur
- 3) MARCHE/ARRÊT du ventilateur

### **ÉCLAIRAGE**

L'interrupteur marche/arrêt contrôle les lampes halogènes.

### **VENTILATEUR**

Le ventilateur fonctionne à l'aide de deux commandes.

Utiliser la commande du contrôle de vitesse du ventilateur pour augmenter ou diminuer la ventilation de la hotte. Glisser l'interrupteur vers la gauche pour augmenter la vitesse du ventilateur et vers la droite pour la diminuer.

L'interrupteur MARCHE/ARRÊT actionne le ventilateur à la vitesse présélectionnée par la commande de vitesse. Le ventilateur doit être mis en marche et arrêté par cet interrupteur.

## 15. FONCTIONNEMENT (SUITE)

### HEAT SENTRY

Votre hotte est équipée d'un détecteur de chaleur appelé Heat Sentry. Celui-ci actionnera automatiquement le ventilateur de la hotte ou augmentera sa vitesse s'il détecte de la chaleur excessive au-dessus de la surface de cuisson.

- 1) Si le ventilateur n'est pas en marche, il le règle à haute vitesse.
- 2) Si le ventilateur est en marche à une vitesse inférieure, il le règle à la vitesse maximale.

### AVERTISSEMENT

**Le détecteur de chaleur HEAT SENTRY peut entrer en fonction même si la hotte est arrêtée. Dans ce cas, il est impossible d'arrêter le ventilateur à l'aide de son interrupteur. Si vous devez arrêter la hotte, faites-le depuis le panneau électrique principal.**

Lorsque la température revient à la normale, la vitesse du ventilateur retourne à sa position originale.

## GARANTIE

### GARANTIE LIMITÉE DE UN AN DE BROAN

Broan garantit à l'acheteur consommateur initial de ses produits qu'ils sont exempts de tout défaut dans les matières premières ou la main-d'œuvre, pour une période de un an à compter de la date d'achat par le consommateur initial. IL N'Y A PAS D'AUTRES GARANTIES, EXPRIMÉES OU IMPLICITES, INCLUANT, MAIS NON LIMITÉES AUX GARANTIES IMPLICITES POUR FIN DE COMMERCIALISATION ET DE CONVENANCE DANS UN BUT PARTICULIER.

Durant cette période de un an, Broan, à sa discrétion, réparera ou remplacera gratuitement, tout produit ou pièce qui s'avère défectueux et ayant été utilisé normalement et d'une manière non abusive.

Cette garantie ne couvre pas (a) l'entretien et le service normal ou (b) tout produit ou pièce endommagé à la suite d'un mauvais usage, de négligence, d'un accident, d'un entretien inapproprié ou d'une réparation (autre que par Broan), d'une mauvaise installation ou d'une installation non conforme au mode d'installation recommandé.

La durée de toute garantie implicite est limitée à une période de un an tel qu'elle est spécifiée pour la garantie exprimée. Certains États ou provinces ne permettent pas de limite de temps sur les garanties implicites. Si tel est le cas, veuillez ne pas tenir compte de la dernière limite décrite ci-dessus.

L'ENGAGEMENT DE BROAN DE RÉPARER OU DE REMPLACER, AU CHOIX DE BROAN, SERA LA SEULE OBLIGATION EXCLUSIVE SOUS CETTE GARANTIE. BROAN NE SERA PAS TENUE RESPONSABLE DES DOMMAGES DIRECTS, INDIRECTS OU SPÉCIAUX SURVENANT À CAUSE DE OU EN RAPPORT À L'UTILISATION OU À LA PERFORMANCE DE SES PRODUITS. Certains États ou provinces ne permettent pas l'exclusion ou la limite relative aux dommages directs, indirects ou spéciaux. Si tel est le cas, veuillez ne pas tenir compte de l'exclusion ou de la limite ci-dessus.

Cette garantie vous donne des droits légaux spécifiques et il se peut que vous ayez d'autres droits qui varient d'un État ou d'une province à une autre. Toute modification du produit non autorisée par Broan annule la garantie. Cette garantie annule toutes les autres garanties précédentes.

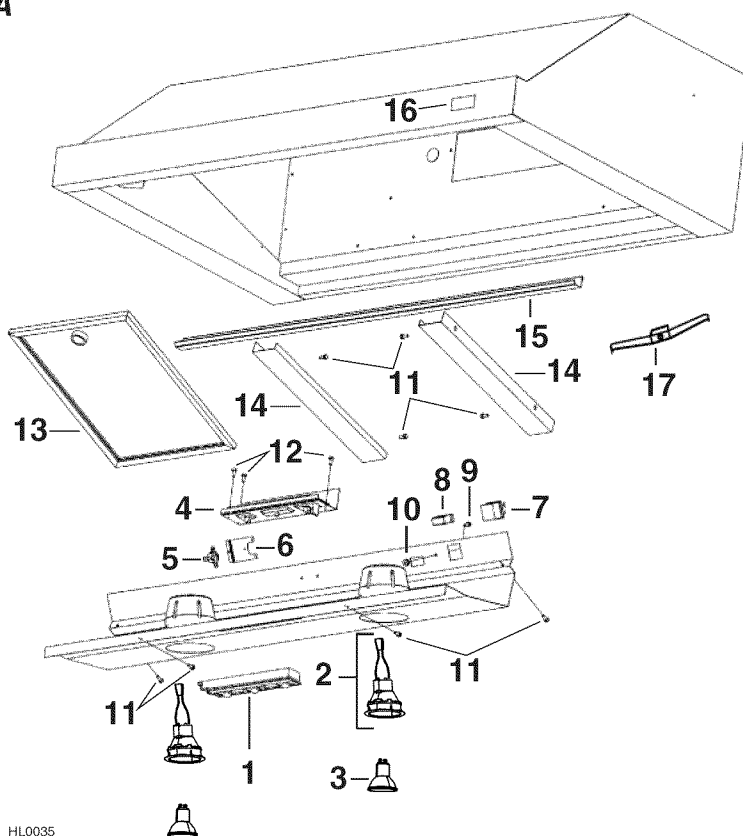
Pour le service sous garantie, vous devez (a) aviser Broan à l'une des adresses ou numéros de téléphone mentionnés plus bas, (b) donner le numéro du modèle et l'identification de la pièce et (c) décrire la nature de tout défaut dans le produit ou la pièce. Au moment de la demande de service sous garantie, vous devez présenter une preuve de la date d'achat initial dudit produit.

**Best by Broan®**, P.O. Box 140, Hartford, WI 53027 USA (1 800 637-1453)

**Best by Broan®**, 550, boul. Lemire, Drummondville (Québec) J2C 7W9 CANADA (1 866 737-7770)

# PIÈCES DE REMPLACEMENT

## MODÈLE K210A



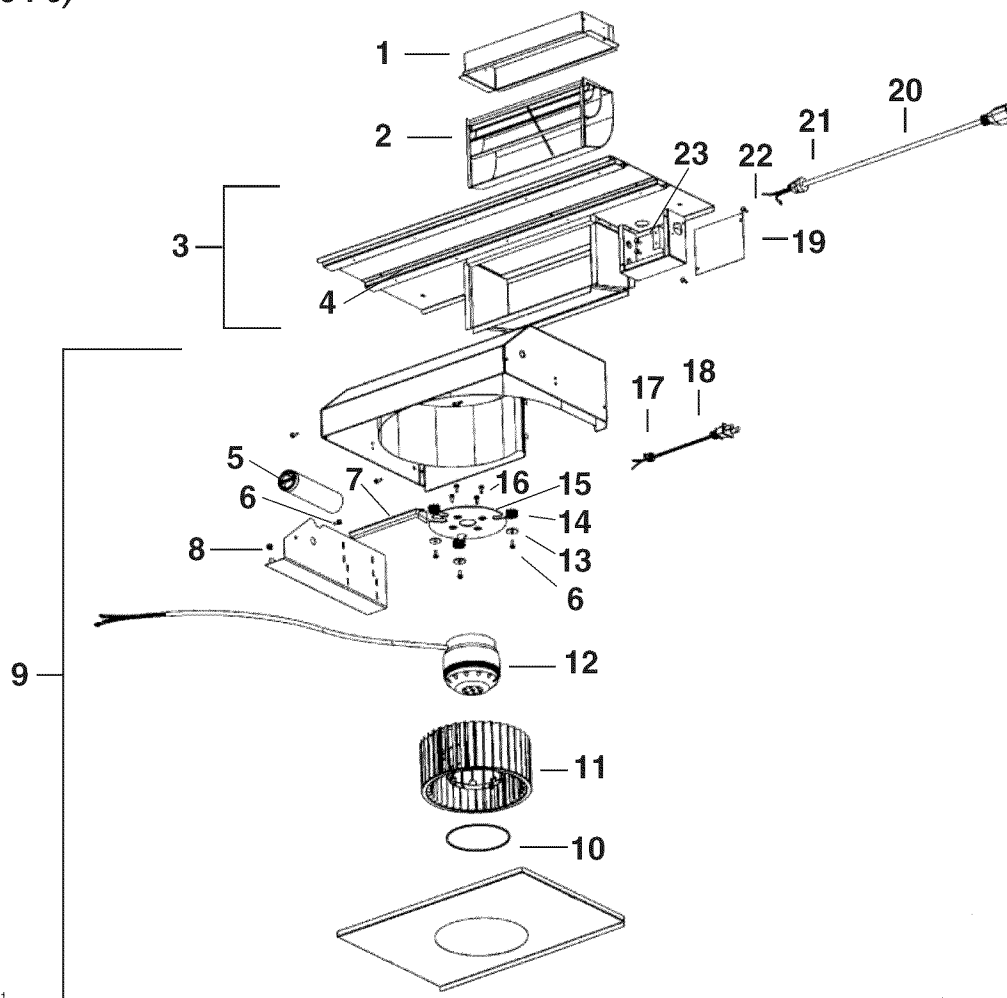
HL0035

| N° DE REF. | N° DE LA PIÈCE | DESCRIPTION   | QTÉ (largeur de hotte) |       |       |       |
|------------|----------------|---|------------------------|-------|-------|-------|
|            |                |   | 30 po                  | 36 po | 42 po | 48 po |
| 1          | V12969         | INTERRUPTEUR ASSEMBLÉ, NOIR   | 1                      | 1     | 1     | 1     |
| 2          | V16555         | ENSEMBLE DE DOUILLE ET DE GARNITURE DE LAMPE  | 2                      | 2     | 3     | 3     |
| 3          | V05921         | AMPOULE HALOGÈNE 50 W, GU10   | 2                      | 2     | 3     | 3     |
| 4          | V03255         | COMMANDE ASSEMBLÉE  | 1                      | 1     | 1     | 1     |
| 5          | V03435         | THERMOSTAT  | 1                      | 1     | 1     | 1     |
| 6          | V03436         | SUPPORT POUR THERMOSTAT   | 1                      | 1     | 1     | 1     |
| 7          | V02773         | CONNECTEUR MÂLE   | 1                      | 1     | 1     | 1     |
| 8          | V02772         | CONNECTEUR FEMELLE  | 1                      | 1     | 1     | 1     |
| 9          | V01869         | VIS MÉCANIQUE n° 6-32 x 1/4 po  | 1                      | 1     | 1     | 1     |
| 10         | V01582         | ÉCROU DENTELÉ n° 6-32   | 1                      | 1     | 1     | 1     |
| 11         | V05520         | VIS n° 8-3/8 po, T/B, TÊTE n° 8   | 8                      | 8     | 8     | 8     |
| 12         | V01964         | VIS n° 6-1/2, T/A   | 3                      | 3     | 3     | 3     |
| 13         | V03462         | FILTRE BEST 9,250 po x 12,500 po  | -                      | 3     | -     | 4     |
|            | V03461         | FILTRE BEST 11,125 po x 12,500 po   | 2                      | -     | 3     | -     |
| 14         | V12514         | ESPACEUR FILTRE 30 po   | 1                      | -     | -     | -     |
|            | V12515         | ESPACEUR FILTRE 36 po   | -                      | 1     | -     | -     |
|            | V13113         | ESPACEUR FILTRE 42 po   | -                      | -     | 1     | -     |
|            | V12516         | ESPACEUR FILTRE 48 po   | -                      | -     | -     | 1     |
| 15         | V13220         | GOUTTIÈRE 30 po   | 1                      | -     | -     | -     |
|            | V13221         | GOUTTIÈRE 36 po   | -                      | 1     | -     | -     |
|            | V13112         | GOUTTIÈRE 42 po   | -                      | -     | 1     | -     |
|            | V13222         | GOUTTIÈRE 48 po   | -                      | -     | -     | 1     |
| 16         | V05869         | LOGO BEST BY BROAN  | 1                      | 1     | 1     | 1     |
| 17         | V05528         | ATTACHE FILTRE  | 3                      | 3     | 4     | 4     |
|            | V07398         | HARNAIS   | 1                      | 1     | 1     | 1     |
|            | V07400         | RALLONGE DE HARNAIS   | -                      | -     | 1     | 1     |
|            | V03516         | GUIDE D'INSTALLATION  | 1                      | 1     | 1     | 1     |
|            | V13278         | SAC DE PIÈCES : (4) écrous à bride n° 10-32, (1) serre-fils LP16-AP, (2) connecteurs n° 74B, (8) vis double filets 6-12 x 0,5, (6) vis n° 8 x 3/8 po, (2) vis n° 6 x 1/2 po | 1                      | 1     | 1     | 1     |

# PIÈCES DE RECHANGE

## PLAQUE ET VENTILATEUR SIMPLE

(Modèle P5)



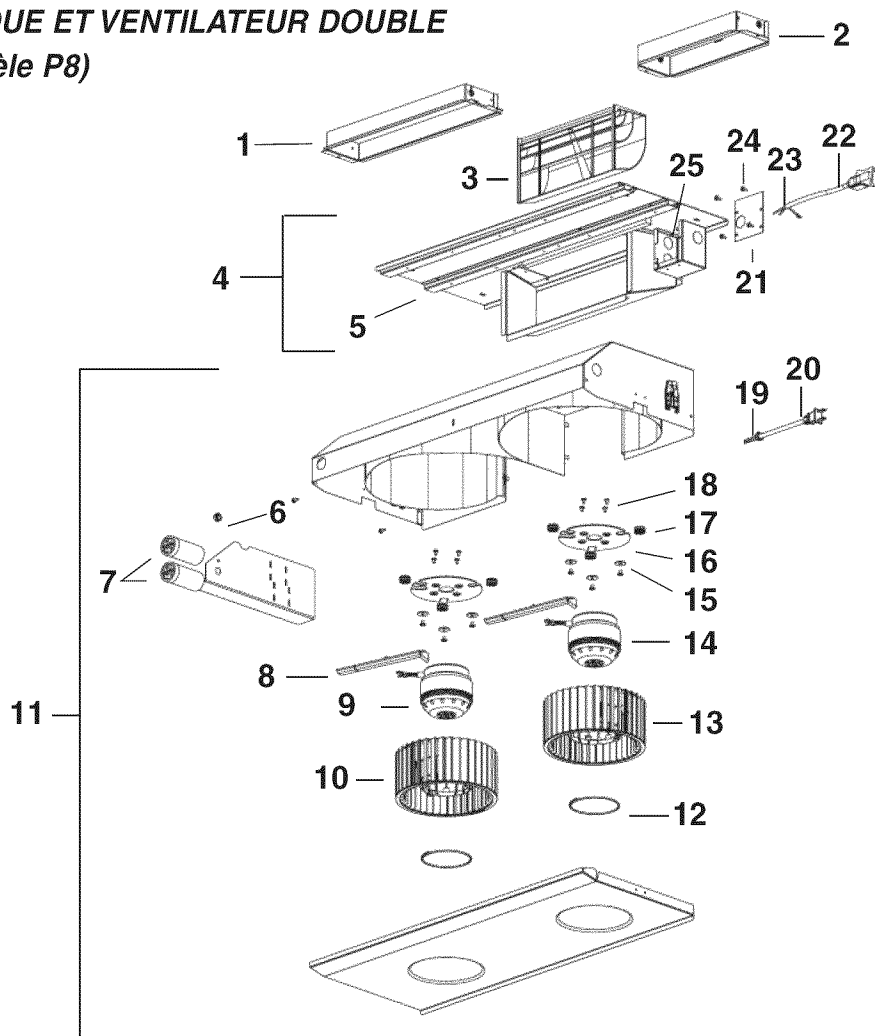
HL0021

| N° RÉF. | N° DE LA PIÈCE | DESCRIPTION                             | QTÉ |
|---------|----------------|---|-----|
| 1       | V13296         | ADAPTATEUR ET VOLET 3 1/4 po x 10 po    | 1   |
| 2       | V03500         | DÉFLECTEUR D'AIR                        | 1   |
| 3       | V12997         | PLAQUE VENTILATEUR SIMPLE ASSEMBLÉE     | 1   |
| 4       | V03577         | MOUSSE 1/2 po x 1/2 po x 12 po          | 1   |
| 5       | V02160         | CONDENSATEUR 15 µF                      | 1   |
| 6       | V01869         | VIS MÉCANIQUE n° 6-32 x 1/4 po          | 4   |
| 7       | V01857         | CACHE-FILS                              | 1   |
| 8       | V01582         | ÉCROU DENTELE n° 6-32                   | 1   |
| 9       | V14973         | VENTILATEUR SIMPLE ASSEMBLÉ             | 1   |
| 10      | V01810         | ANNEAU ROUE                             | 3   |
| 11      | V03400         | ROUE HOTTE 7,094 po x 3,375 po CW       | 1   |
| 12      | V01766         | MOTEUR 165 W CW                         | 1   |
| 13      | V00871         | RONDELLE 3/16 po DI x 3/4 po DE         | 3   |
| 14      | V02001         | CEILLET MOTEUR G-431-1                  | 3   |
| 15      | V01831         | COLLIER DE SERRAGE 8 po                 | 2   |
| 15      | V11705         | SUPPORT DE MOTEUR                       | 1   |
|         | V11614         | FIL n° 18 TEW BRUN x 10 po              | 1   |
| 16      | V01927         | VIS MÉTRIQUE M4 x 6 MM PAN QDRX         | 4   |
| 17      | V03495         | ARRÊT DE TRACTION CORDON VENTILATEUR    | 1   |
| 18      | V03494         | CORDON D'ALIMENTATION VENTILATEUR 36 po | 1   |
| 19      | V13230         | PORTE CONNEXION ÉLECTRIQUE              | 1   |
| 20      | V03496         | CORDON D'ALIMENTATION 120 VOLTS         | 1   |
| 21      | V00660         | ARRÊT DE TRACTION CORDON D'ALIMENTATION | 1   |
| 22      | V05520         | VIS n° 8 x 3/8 po, T/B, TÊTE n° 8       | 2   |
| 23      | V00613         | VIS n°10-32 x 3/8, TF, VERTE            | 2   |

# PIÈCES DE RECHANGE

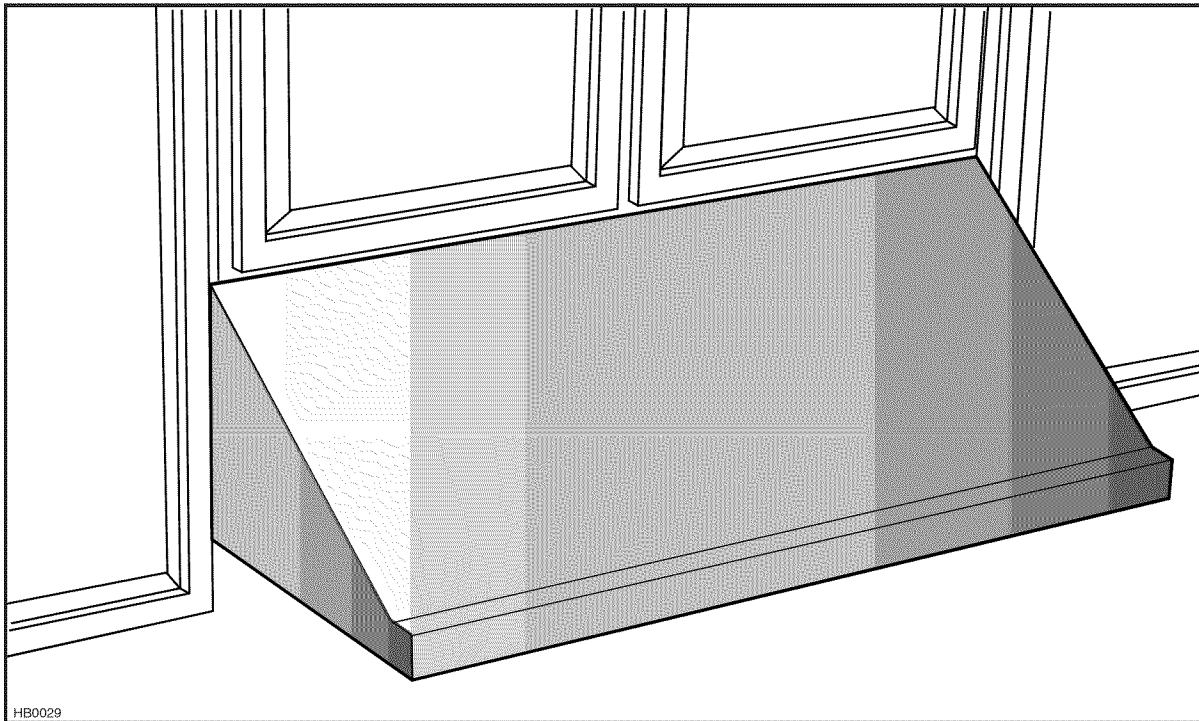
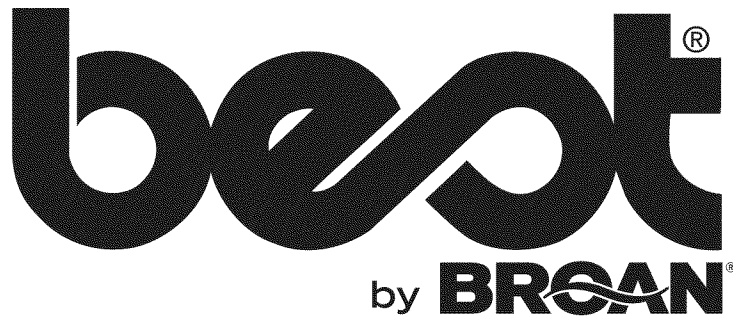
## PLAQUE ET VENTILATEUR DOUBLE

(Modèle P8)



| N° REF. | N° DE LA PIÈCE | DESCRIPTION                             | QTÉ |
|---------|----------------|---|-----|
| 1       | V14971         | ADAPTATEUR ET VOLET 3 ¼ PO X 14 PO      | 1   |
| 2       | V13296         | ADAPTATEUR ET VOLET 3 ¼ PO X 10 PO      | 1   |
| 3       | V03500         | DÉFLECTEUR D'AIR                        | 1   |
| 4       | V14975         | PLAQUE VENTILATEUR DOUBLE ASSEMBLÉE     | 1   |
| 5       | V03577         | MOUSSE 1/2 PO X 1/2 PO X 12 PO          | 1   |
| 6       | V01582         | ÉCROU DENTELE n° 6-32                   | 1   |
| 7       | V02160         | CONDENSATEUR 15 µF                      | 2   |
| 8       | V01857         | CACHE-FILS                              | 2   |
| 9       | V01766         | MOTEUR 165 W CW                         | 1   |
| 10      | V03400         | ROUE HOTTE 7,094 PO X 3,375 PO CW       | 1   |
| 11      | V14974         | VENTILATEUR DOUBLE ASSEMBLÉ             | 1   |
| 12      | V01810         | ANNEAU ROUE                             | 2   |
| 13      | V03399         | ROUE HOTTE 7,094 PO X 3,375 PO CCW      | 1   |
| 14      | V03457         | MOTEUR 165 W CCW                        | 1   |
| 15      | V00871         | RONDELLE 3/16 PO DI X 3/4 PO DE         | 6   |
|         | V01831         | COLLIER DE SERRAGE 8 PO                 | 2   |
| 16      | V11705         | SUPPORT DE MOTEUR                       | 2   |
|         | V11614         | FIL n° 18 TEW BRUN x 10 PO              | 2   |
| 17      | V02001         | CEILLET MOTEUR G-431-1                  | 6   |
| 18      | V01927         | VIS MÉTRIQUE M4 x 6 MM PAN QDRX         | 8   |
| 19      | V03495         | ARRÊT DE TRACTION CORDON DE VENTILATEUR | 1   |
| 20      | V03494         | CORDON D'ALIMENTATION VENTILATEUR 36 PO | 1   |
| 21      | V14960         | PORTE CONNEXION ÉLECTRIQUE              | 1   |
| 22      | V00660         | ARRÊT DE TRACTION CORDON D'ALIMENTATION | 1   |
| 23      | V03496         | CORDON D'ALIMENTATION DE 120 VOLTS      | 1   |
| 24      | V0520          | VIS n° 8 x 3/8 PO, T/B, TÊTE n° 8       | 4   |
| 25      | V00613         | VIS n° 10-32 x 3/8, TF, VERTE           | 2   |





HB0029

## MODELO K210A

⚠ CONCEBIDO SÓLO PARA USO DOMÉSTICO ⚠

**LEER Y CONSERVAR ESTAS INSTRUCCIONES**

INSTALADOR: DEJAR ESTE MANUAL AL PROPIETARIO.  
PROPIETARIO: INSTRUCCIONES DE MANTENIMIENTO Y FUNCIONAMIENTO  
EN LAS PÁGINAS 43 Y 44.

---

En Estados Unidos - BEST BY BROAN® P.O. Box 140, Hartford, WI 53027 USA  
En Canadá - BEST BY BROAN® 550 boul. Lemire, Drummondville, QC, J2C 7W9 CANADA

REGISTRE SU PRODUCTO EN LIGNEÁ EN: [www.bestbybroan.com/register](http://www.bestbybroan.com/register)  
Para obtener más información, visitar nuestro sitio [www.bestbybroan.com](http://www.bestbybroan.com)

## **ADVERTENCIA**

### **PARA REDUCIR EL RIESGO DE INCENDIO, DESCARGA ELÉCTRICA, O LESIONES A PERSONAS, CUMPLA LOS SIGUIENTES PUNTOS :**

1. Solamente use esta unidad de la manera propuesta por el fabricante. Si tiene alguna pregunta, comuníquese con el fabricante en la dirección o teléfono anotados en la garantía.
2. Antes de limpiar o poner en servicio la unidad, apague el interruptor en el panel de servicio, y asegure el panel de servicio para evitar que se encienda accidentalmente. Cuando el dispositivo para desconectar el servicio eléctrico no puede ser cerrado con algún tipo de traba, sujete fuertemente al panel de servicio, una etiqueta de advertencia prominente.
3. El trabajo de instalación y el alambrado eléctrico deben llevarse a cabo por personal calificado de acuerdo con todos los códigos y las normas aplicables, incluyendo los códigos y normas de construcción contra incendios.
4. Se requiere una cantidad de aire suficiente para la combustión y escape de gases por la chimenea del equipo de quemado de combustible para evitar salirse de las especificaciones y estándares de seguridad del fabricante, tales como los publicados por la Asociación nacional de protección contra incendios (NFPA por sus siglas en Inglés), y la Sociedad americana de ingenieros de calefacción, refrigeración y aire acondicionado (ASHRAE por sus siglas en Inglés), y los códigos de las autoridades locales.
5. Cuando corte o taladre en una pared o techo, no dañe los cables eléctricos ni otras instalaciones ocultas.
6. Los ventiladores con conductos deben siempre ventilar hacia el exterior.
7. No use esta unidad con ningún otro control de velocidad de estado sólido.
8. Para reducir todo riesgo de incendio, use solamente conductos en metal.
9. Esta unidad se debe conectar a tierra.

### **PARA REDUCIR EL RIESGO DE INCENDIO DE GRASA EN LA SUPERFICIE DE LA ESTUFA:**

- a) No deje nunca los aparatos de cocer sin vigilancia a fuego vivo. Los desbordamientos producen humo y derrames grasiosos que pueden inflamarse. Caliente el aceite despacio, a fuego lento o mediano.
- b) Ponga en marcha siempre la campana al cocinar a temperaturas elevadas o al cocinar alimentos flameados (crepas Suzette, cerezas jubilee, res con pimienta flambeada).
- c) Limpie los ventiladores con frecuencia. No deje que la grasa se acumule en el ventilador ni en el filtro.
- d) Utilice cacerolas de tamaño apropiado. Emplee siempre un recipiente adecuado para el tamaño de la placa.

## **ADVERTENCIA**

### **PARA EVITAR RIESGO DE LESIONES PERSONALES EN CASO DE INCENDIO DE GRASA EN LA SUPERFICIE DE LA ESTUFA, OBSERVE LO SIGUIENTE \*:**

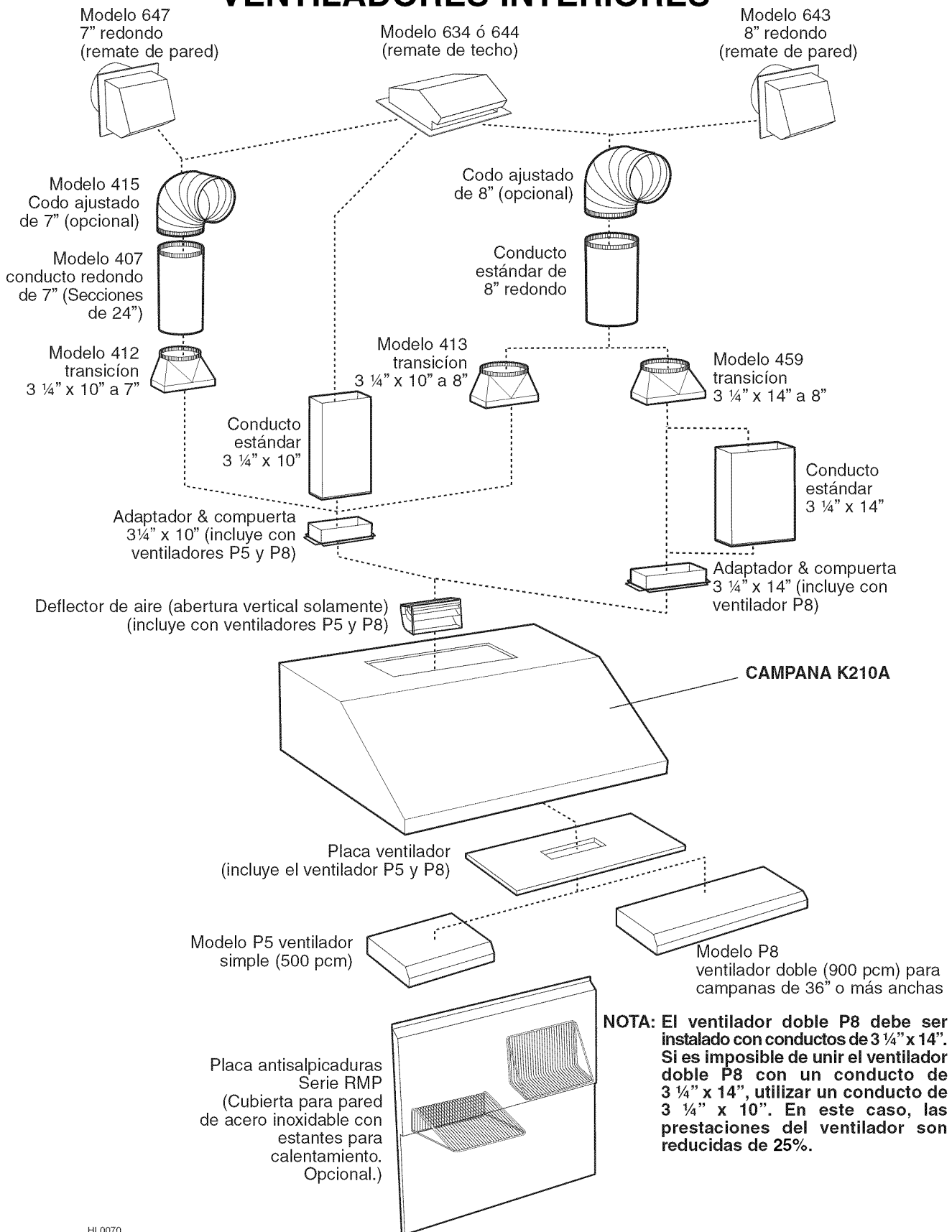
1. Cubra y sofoque las llamas con una tapa ajustada, azafate de hornear galletas, o azafate de metal, y luego apague el calentador. **TENGA CUIDADO PARA EVITAR QUEMADURAS.** Si la llamas no se apagan inmediatamente, **HAY QUE EVACUAR Y LLAMAR LOS BOMBEROS.**
2. **NUNCA ALCE UNA SARTÉN QUE TENGA LLAMAS** – Usted se puede quemarse.
3. **NO USE AGUA**, incluyendo trapos, lavaplatos mojados o toallas - puede que ocurran explosiones de vapor violentas.
4. Use un extintor **SOLAMENTE** si:
  - A. Usted sabe que tiene un extintor ABC y sabe usarlo.
  - B. El incendio es pequeño y está restringido al área donde empezó.
  - C. Se está llamando los bomberos.
  - D. Usted puede tratar de apagar el fuego teniendo una salida detrás suyo.

\* Basado en "Kitchen Fire Safety Tips" publicado por la Asociación Nacional de protección contra Incendios (NFPA).

## **PRECAUCIÓN**

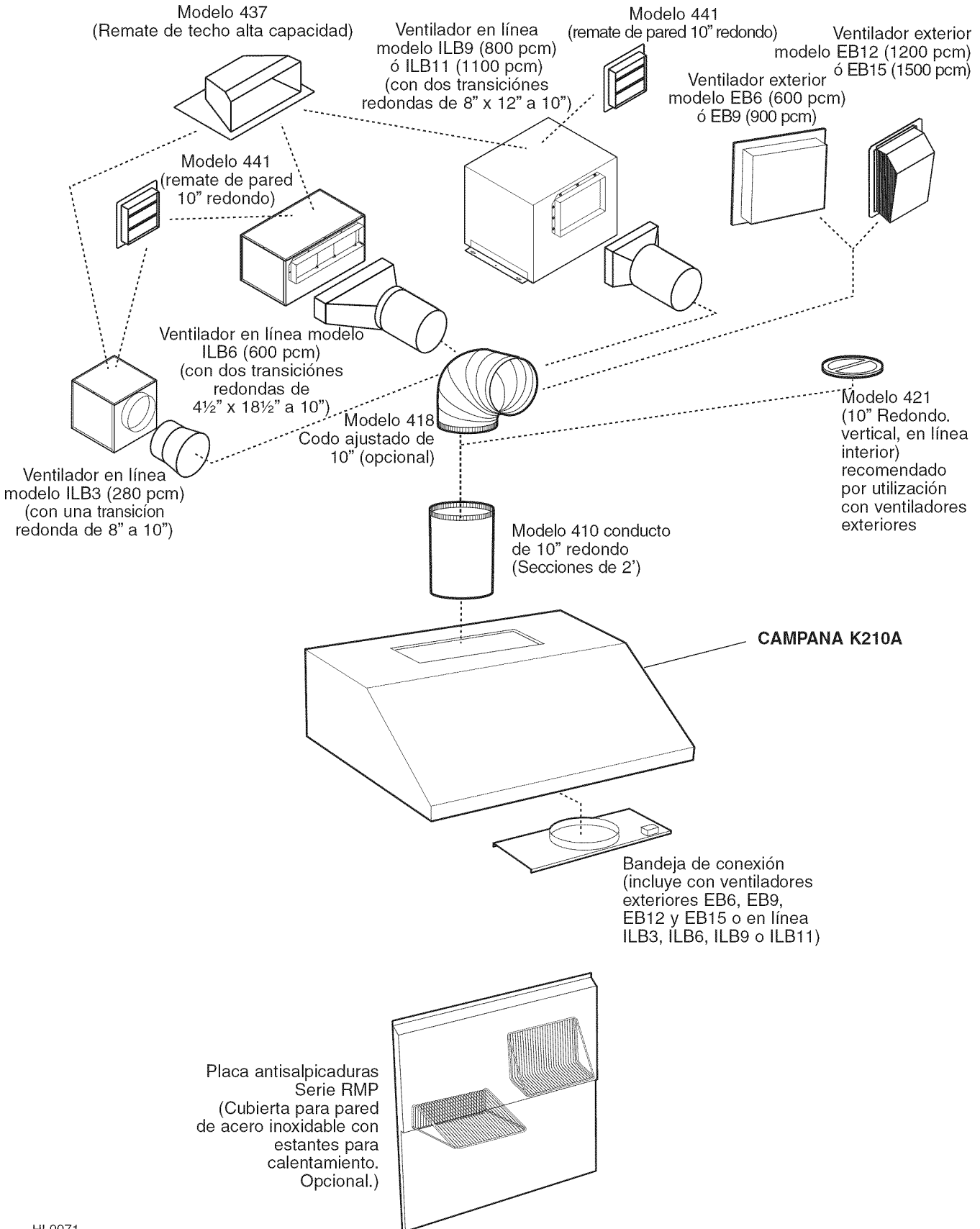
1. Sólo para uso de ventilación general. No se use para extraer materiales o vapores peligrosos o explosivos.
2. Para evitar daños al cojinete del motor y/o impulsores ruidosos o desequilibrados, mantenga la fuente de potencia lejos de rocíos de pared seca, de polvo de construcción, etc.
3. El motor de la campana tiene un dispositivo contra sobrecargas térmicas que apaga el motor en forma automática si éste se sobrecalienta. El motor volverá arrancar cuando se enfríe. Si el motor sigue apagándose, haga verificar campana reciba servicio.
4. Para lograr una mejor captura de las impurezas producidas al cocinar, la parte inferior de la campana deberá estar a un mínimo de 20" (24" de una cocina a gas) y un máximo de 30" sobre el nivel la superficie para cocina.
5. Se recomienda que la instalación la realicen dos personas, debido al tamaño y peso de esta campana.
6. A fin de reducir los riesgos de incendio y para bien evacuar el aire de salida, asegúrese de evacuar el aire al exterior – No evacue el aire en espacios limitados como el interior de las paredes o del techo o en el desván, falso techo o garaje.
7. Este producto está equipado de un termostato que puede hacer partir el ventilador automáticamente. Para evitar los riesgos de daño, apague la corriente del panel eléctrico y cierre con candado o afiche una advertencia en el panel para prevenir que la campana funcione automáticamente.
8. A causa de la gran capacidad de evacuación de esta campana, usted debe asegurarse que suficiente aire entre en la casa para reemplazar el aire evacuado abriendo una ventana a el interior o cerca de la cocina por ejemplo.
9. Para reducir el riesgo de incendio y descarga eléctrica, este campana Best K210A debe ser instalada con ventilador interior Best by Broan modelo: P5 ó P8, ó con ventilador exterior Best by Broan modelo: EB6, EB9, EB12 ó EB15 ó con ventilador en línea Best by Broan: ILB3, ILB6, ILB9 ó ILB11 (vendidos separadamente) solamente. Otros ventiladores no pueden reemplazar a este ventiladores.
10. Utilícelo sólo con un conjunto autorizado de conexión con cordón.
11. Lea la etiqueta de especificaciones en el producto para mayor información y requisitos.

# - SISTEMA DE LA CAMPANA DE COCINA MODELO K210A - VENTILADORES INTERIORES



HL0070

# - SISTEMA DE LA CAMPANA DE COCINA MODELO K210A - VENTILADORES EN LÍNEA Y EXTERIORES



# 1. SELECCIONE LA OPCIÓN VENTILADOR Y INSTALE LOS CONDUCTOS

Esta campana funciona tanto con un ventilador exterior, con un ventilador en línea y como interior. La campana de modelo Best K210A debe ser instalada únicamente con ventilador modelo P5, P8, ILB3, ILB6, ILB9, ILB11, EB6, EB9, EB12 o EB15 (vendidos separadamente). Otros ventiladores no pueden reemplazar a estos ventiladores.

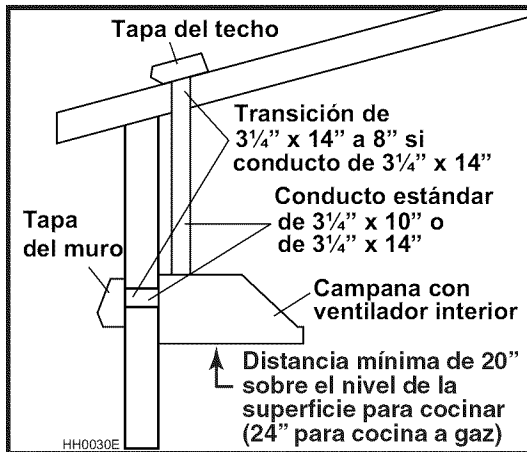
Planifique dónde y cómo se van a colocar los conductos.

**Si un ventilador en línea está instalado, se refiere a las instrucciones incluidas con éste y siga las etapas 1 a 3, 6, 9, 12 y siguiente de este manual.**

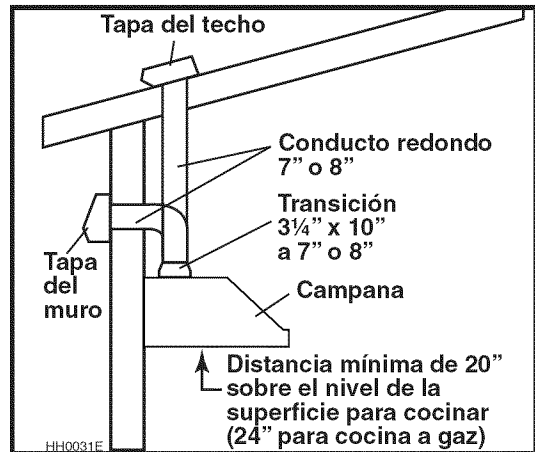
Instale los conductos de dimensión adecuada, codo(s) y remate la pared o el techo adecuado para el tipo de ventilador que está usando. Si usted elige conductos circulares de 7" ó 8", utilice una transición. Utilice cinta adhesiva al conducto para asegurarse estandaridad de las coyunturas.

**La distancia mínima entre la campana y la encimera debe ser de 20" (24" para una cocina a gas). Asimismo, se recomienda que dicha distancia no supere las 30" para obtener la máxima capacidad de absorción de las impurezas creadas al cocinar.**

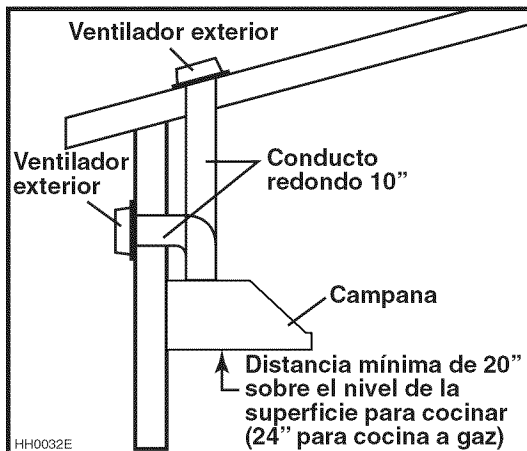
Si se utilizan distancias superiores a 30", el instalador y el usuario son responsables de los posibles problemas.



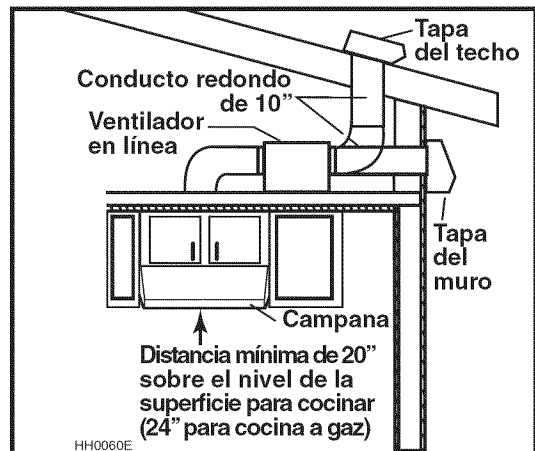
**INSTALACIÓN CON CONDUCTO RECTANGULAR CON VENTILADOR INTERIOR MODELO P5 (SIMPLE) Ó P8 (DOBLE)**



**INSTALACIÓN CON CONDUCTO REDONDO DE 7" Ó 8" CON VENTILADOR INTERIOR MODELO P5 (SIMPLE) Ó P8 (DOBLE)**



**INSTALACIÓN ESTÁNDAR CON VENTILADOR EXTERIOR MODELO EB6, EB9, EB12 Ó EB15**



**INSTALACIÓN ESTÁNDAR CON VENTILADOR EN LÍNEA MODELO ILB3, ILB6, ILB9 Ó ILB11**

## 2. PREPARE LA INSTALACIÓN

### PRECAUCIÓN

Se aconseja llevar anteojos y guantes de seguridad al instalar, reparar o limpiar el aparato.

Asegúrese que los artículos siguientes están incluidos:

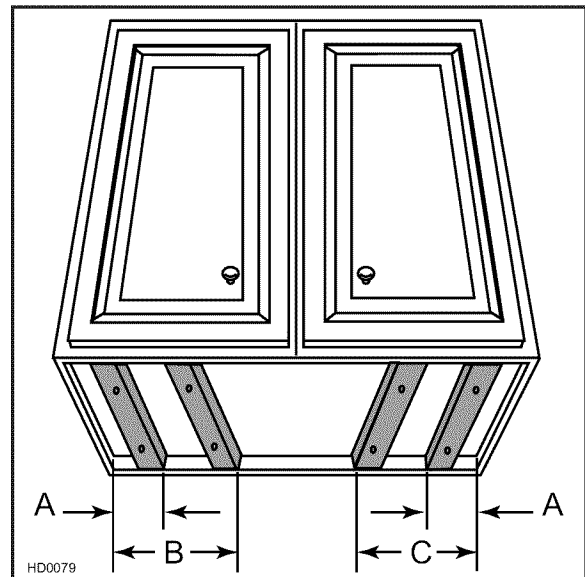
- Campana
- Accesorios:
  - Filtros
  - Bolsa de piezas incluye:
    - (4) tuercas dentellado, (1) alambre eléctrico, (8) 1/2" tornillos a doble hilillo (2) conector de cable, (2) 1/2" tornillos estándar, (6) 3/8" tornillos

Piezas separadas:

- Ventilador interno modelo P5 incluye ventilador interno, placa del ventilador, desviador y adaptador 3 1/4" x 10"
- Ventilador interno modelo P8 incluye ventilador interno, placa del ventilador, desviador y adaptador 3 1/4" x 10" y adaptador 3 1/4" x 14"
- Ventilador en línea ILB3, ILB6, ILB9 o ILB11 (todos incluye la placa del ventilador y transición)
- Ventilador exterior EB6, EB9, EB12 o EB15 (todos incluye la placa del ventilador)
- Bombillas halógenas protegidas MR16 de 120 voltios, 50 W, con base GU10 o PAR16 con base GU10
- Placa para salpicaduras (opcional)
- Transiciones, conductos, codos, compuertas de tiro, remates de pared o de techo. Consultar las páginas 35 y 36 para la lista completa de los accesorios de ventilation y los números de modelo.

NOTA: Si el fondo del armario está empotrado, fije los listones de madera (no incluidos) en cada lados tal como ilustrado abajo. Servirse de dos (2) listones de 2" de anchura para campana de 30" de anchura, y de cuatro (4) listones de 2" de anchura para campana más ancha, de largo apropiado. Vea abajo por el lugar de los listones.

| ANCHURA<br>DE CAMPANA | LUGAR |         |         |
|-----------------------|-------|---------|---------|
|                       | A     | B       | C       |
| 30"                   | 2"    | N/A     | N/A     |
| 36"                   | 2"    | 4 1/2"  | 4 1/2"  |
| 42"                   | 2"    | 7 1/4"  | 8 1/4"  |
| 48"                   | 4"    | 10 1/4" | 11 1/4" |



## 3. INSTALE LA PLACA PARA SALPICADURAS (OPCIONAL)

La placa para salpicaduras se debe instalar antes que la campana debido a que éste cubre los tornillos de montaje de la placa para salpicadura. Para instalar la placa de salpicadura, asegúrese de tener 18" entre debajo de la campana y el panel de control de la cocina o encima de la cocina. (Vea las instrucciones incluidas con la placa salpicaduras.)

## 4. SELECCIONE LA OPCIÓN VENTILADOR (EXTERIOR O INTERIOR)

VENTILADOR INTERIOR: Siga todas las etapas subsecuentes de este manual.

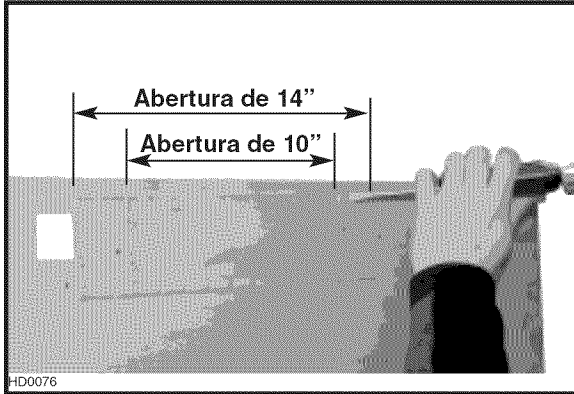
VENTILADOR EXTERIOR: Se refiere a las instrucciones inclidas con el ventilador exterior. Siga las etapas 6, 9, 10, 12 y siguiente del presente manual.

## 5. ELIJA LA ABERTURA (VENTILADOR INTERIOR)

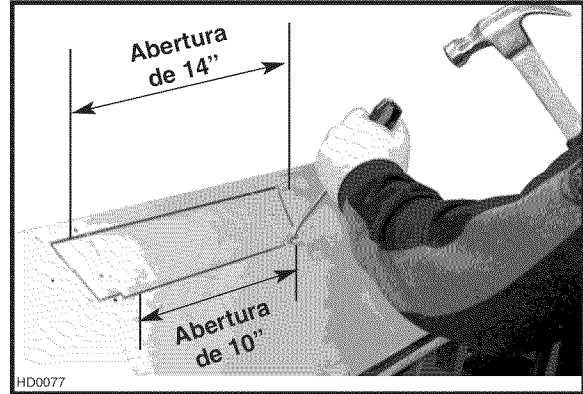
Rompa la abertura elegida (horizontal detrás de la campana o vertical en la placa del ventilador) de salida de aire. Ver las fotos de abajo.

### PRECAUCIÓN

Si un ventilador P5 es instalado, quite la abertura de 10" de anchura (la mas pequeña). Si un ventilador P8 es instalado, quite la abertura de dimensión correspondiente a los conductos (10" o 14").



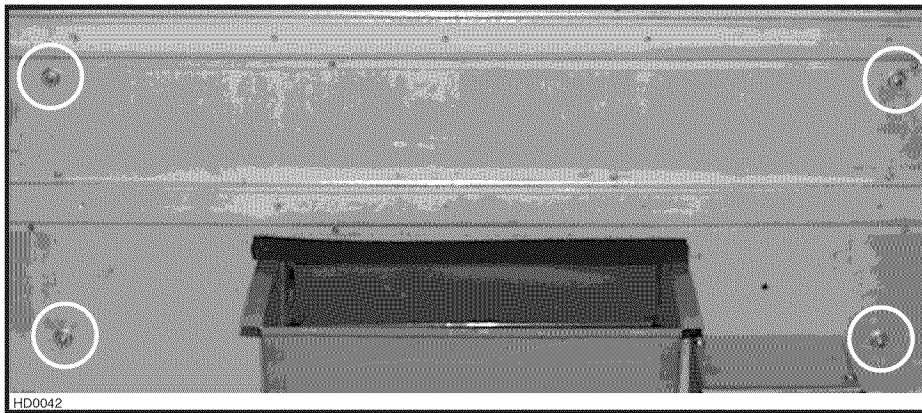
Rompación de la abertura horizontal detrás de la campana



Rompación de la abertura vertical en la placa del ventilador

## 6. INSTALE LA PLACA DEL VENTILADOR (TODOS LOS VENTILADORES)

VENTILADOR INTERIOR: Instalar la placa (incluye con el ventilador interior P5 y P8) al interior de la campana utilizando 4 tuercas dentelladas. Vea foto abajo.

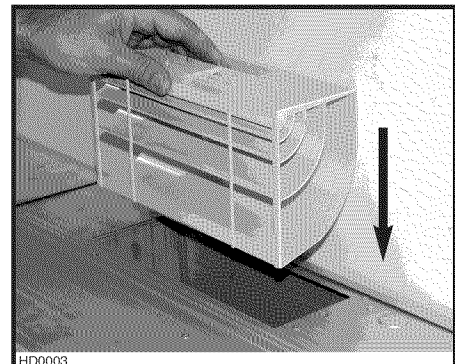


VENTILADOR EN LÍNEA O EXTERIOR: Referirse a los instrucciones incluye con el ventilador exterior EB6, EB9, EB12 o EB15, o con el ventilador en línea ILB3, ILB6, ILB9 o ILB11. Instalar la placa al interior de la campana utilizando 4 tuercas dentelladas.

## 7. INSTALE EL DEFLECTOR DE AIRE (VENTILADOR INTERIOR)

**USTED DEBE** también instalar el deflector de aire si usted elige la abertura vertical. Instale el desviador tal como ilustrado.

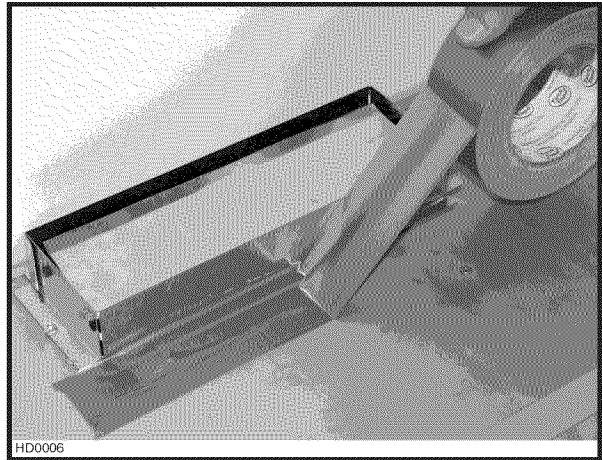
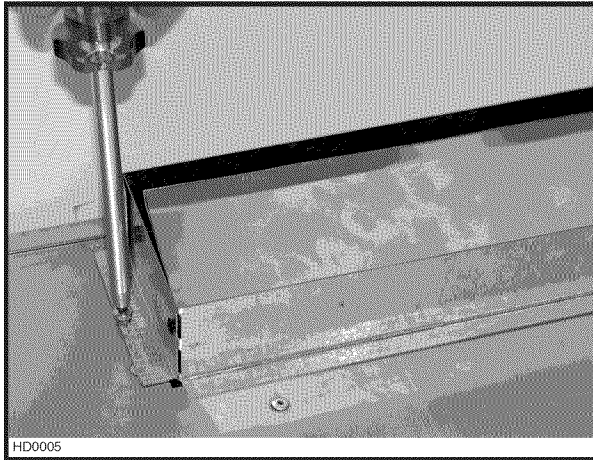
NOTA: El deflector no entra completamente en la campana, fíjese que sobre sale de 1/8".



Inserción del desviador en la campana

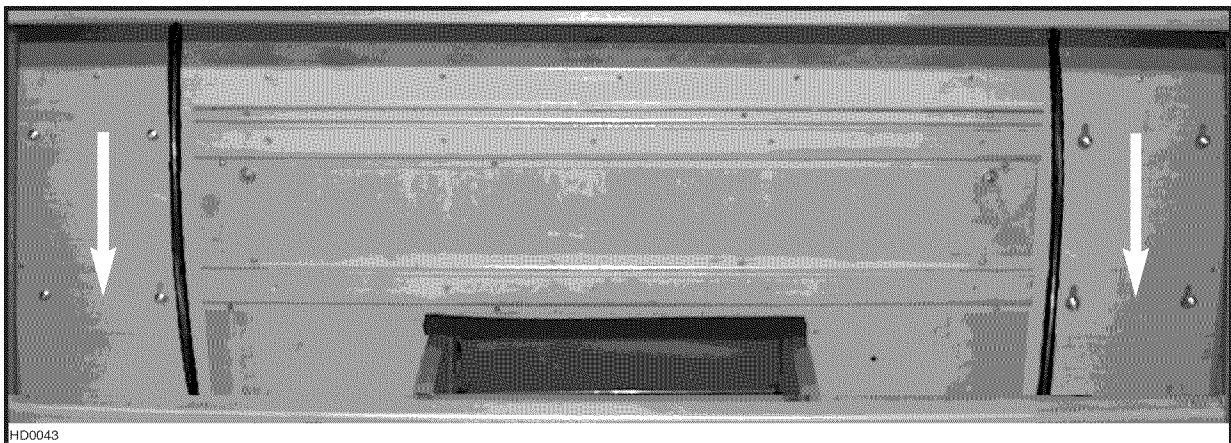
## 8. INSTALE EL ADAPTADOR (VENTILADOR INTERIOR)

Utilizando los dos (2) tornillos estandar 1/2", instale el adaptador encima o detrás de la campana. Luego selle el adaptador con la ayuda de una cinta adhesiva a conducto.



## 9. INSTALE LA CAMPANA (TODOS LOS VENTILADORES)

**VENTILADOR INTERIOR:** Pase la alimentación eléctrica hasta el lugar de la instalación de la campana. Coloque la campana en su posición. Con la ayuda de un lápiz marque la posición de los tornillos (pequeña parte del hoyo en forma de pera) retire la campana e instale los 8 tornillos de 1/2" doble hilillo dejando un espacio de 1/8" (4 tornillos para la campana de 30"). Saque la tapa de la caja eléctrica, inserte el alambre eléctrico. Pase el cable eléctrico en la campana y apriete el tornillo del alambre eléctrico en la entrada de la campana para mantener los cables en su posición. Coloque la campana debajo del armario (los tornillos pasan a través de la parte grande de los hoyos) y deslice la campana en su posición. Asegúrese que adaptador entre en el conducto. Atornille completamente los tornillos para que la campana se mantenga en su posición.



**VENTILADOR EN LÍNEA O EXTERIOR:** Pase la alimentación eléctrica hasta el lugar de la instalación de la campana. Coloque la campana en su posición. Con la ayuda de un lápiz marque la posición de los tornillos (pequeña parte del hoyo en forma de pera) retire la campana e instale los 8 tornillos de 1/2" doble hilillo dejando un espacio de 1/8" (4 tornillos para la campana de 30"). Saque la tapa de la caja eléctrica en encima de la campana y conecte los cables (vea instrucciones incluye con el ventilador exterior). Coloque la campana debajo del armario (los tornillos pasan a través de la parte grande de los hoyos) y deslice la campana en su posición. Atornille completamente los tornillos para que la campana se mantenga en su posición.

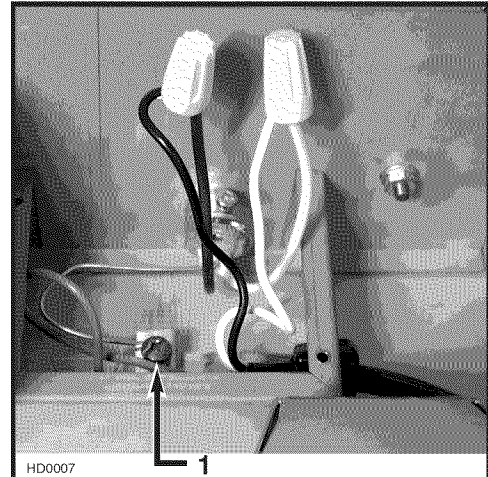


## 10. CONEXIÓN ELÉCTRICA (TODOS LOS VENTILADORES)

### ADVERTENCIA

Peligro de choque eléctrico. La instalación eléctrica debe ser hecha por personal calificado de acuerdo con todos los códigos aplicables y normas. Antes de efectuar el empalme, cortar la alimentación eléctrica del interruptor y cerrar con seguridad para prevenir una alimentación accidental.

**VENTILADOR INTERIOR:** Conecte los cables a la caja eléctrica utilizando los conectores de cables. Conecte el cable NEGRO al NEGRO, el BLANCO al BLANCO y el VERDE o desnudo al el tornillo que toma de tierra. Reemplace la tapa. **JAMÁS DEBE OLVIDARSE DE CONECTAR LA TOMA DE TIERRA.**

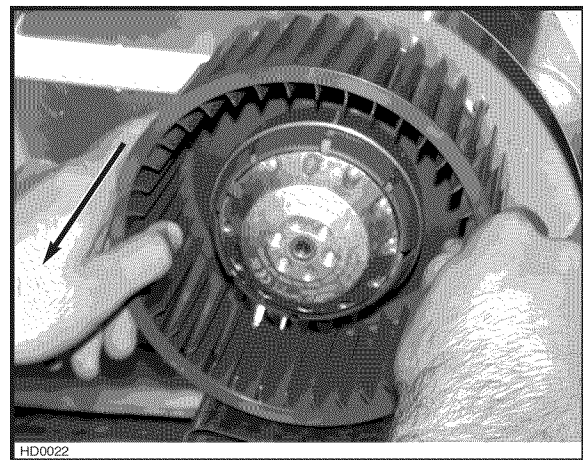
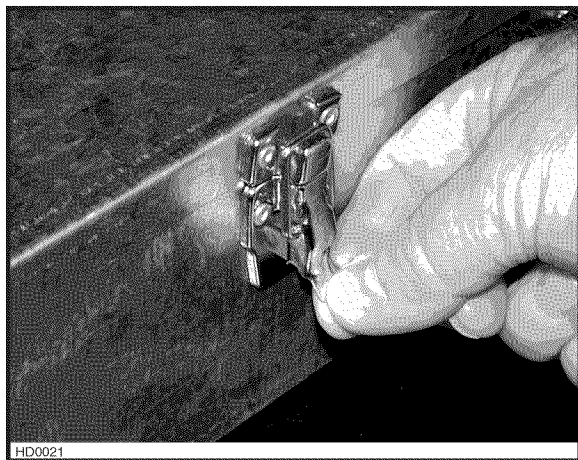


1) Tornillo que toma de tierra

**VENTILADOR EN LÍNEA O EXTERIOR:** Saque la tapa de la caja eléctrica de la bandeja de conexión y conecte los cables (vea instrucciones incluye con el ventilador en línea o exterior).

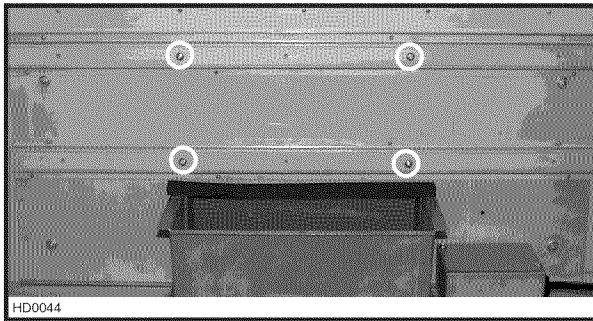
## 11. INSTALACIÓN DEL VENTILADOR (INTERIOR)

El ventilador debe ser instalado a la placa del ventilador utilizando 4 tornillos de 3/8" para el ventilador simple y 6 tornillos de 3/8" para el ventilador doble. Saque la tapa del ventilador. Saque la o las rueda(s) del ventilador tirándola delicadamente (ver fotos de abajo).

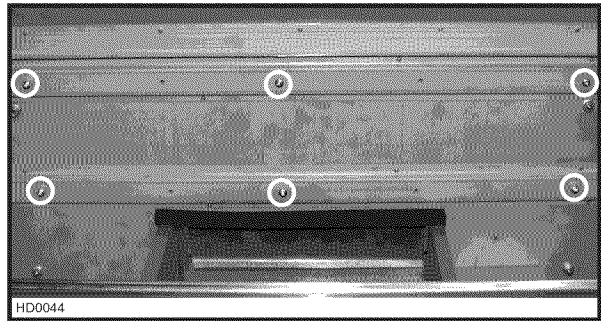


## 11. INSTALACIÓN DEL VENTILADOR (INTERIOR) (CONTINUACIÓN)

Instale los tornillos en el lugar que indica la foto de abajo (ventilador simple o doble) dejando un espacio de mas o menos 1/8". Enganche en seguida el ventilador a la placa del ventilador (pase las cabezas de los tornillos a través de la parte grande del hoyo). En seguida resbale el ventilador en su posición (las cabezas de los tornillos a través de la parte pequeña del hoyo). Atornillar los tornillos completamente.

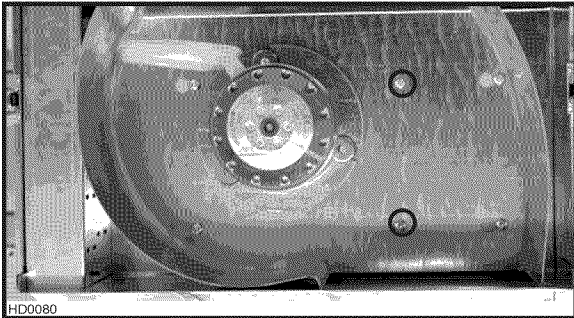


Ventilador simple (P5)

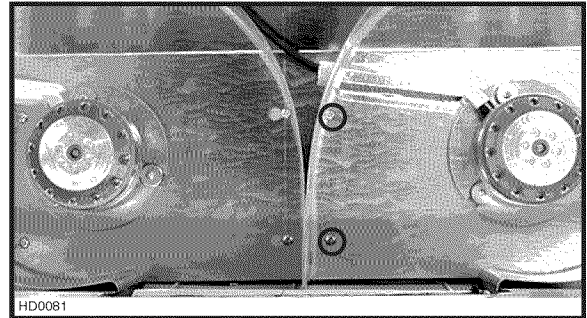


Ventilador doble (P8)

Terminar la fijación del ventilador con 2 otros tornillos que indica las fotos de abajo (ventilador simple o doble). Reinstale la o las rueda(s) del ventilador en su posición y la tapa.

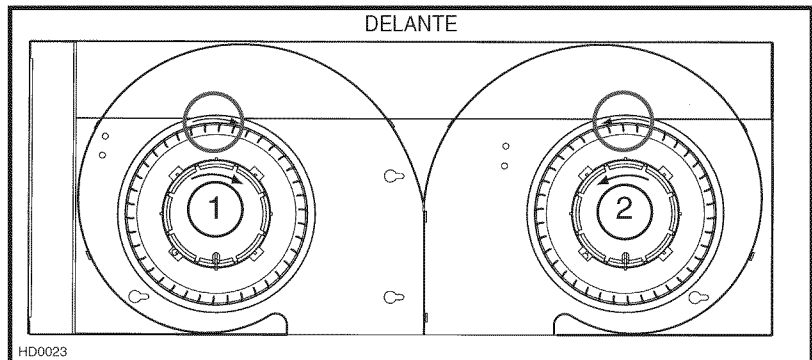


Ventilador simple (P5)



Ventilador doble (P8)

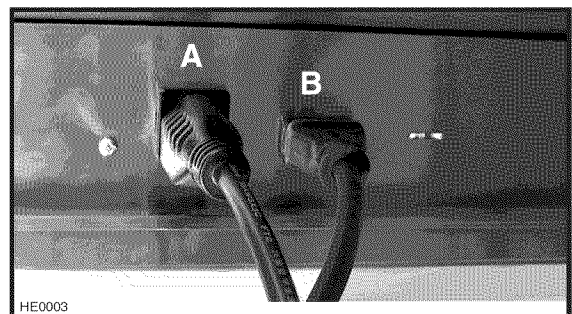
PARA EL VENTILADOR DOBLE, ASEGURÉSE QUE LAS RUEDAS SEAN BIEN REEMPLAZADAS, LA CAMPANA NO FUNCIONARÁ NORMALMENTE SI ESTÁ AL RÉVES. Las dos ruedas del ventilador son diferentes en el caso de un ventilador doble, una debe girar en el sentido de las agujas del reloj y la otra en el sentido contrario de las agujas del reloj. Cada rueda y motor tiene una flecha y un número, usted debe juntarlos correctamente. (Ver dibujo al lado.)



### ADVERTENCIA

**Jamás conecte el cable eléctrico del ventilador con el enchufe del cable de alimentación.**

Conecte el cable de la caja eléctrica (A) y el cable del ventilador (B) a los enchufes detrás del panel de control al interior de la campana.



## 12. LUCES HALÓGENAS

Esta campana utiliza bombillas halógenas protegidas (120 V, 50 W, MR16 con base GU10 o PAR16 con base GU10) vendidas por separado.

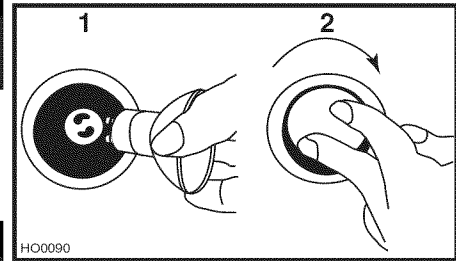
### ⚠ ADVERTENCIA

**Para prevenir el riesgo de lesiones corporales, no instale bombillas identificadas sólo para uso en dispositivos encerrados.**

1. Instale las bombillas colocando los casquillos de las bombillas en sus ranuras, en los portalámparas.
2. Empuje suavemente hacia arriba y gire al mismo tiempo en el sentido horario hasta que queden bien afianzadas.

### ⚠ ADVERTENCIA

**Para prevenir el riesgo de lesiones corporales, deje que las bombillas halógenas se enfríen antes de quitarlas.**



Para quitar las bombillas, empuje suavemente hacia arriba y gire en el sentido antihorario para liberar el casquillo de sus ranuras.

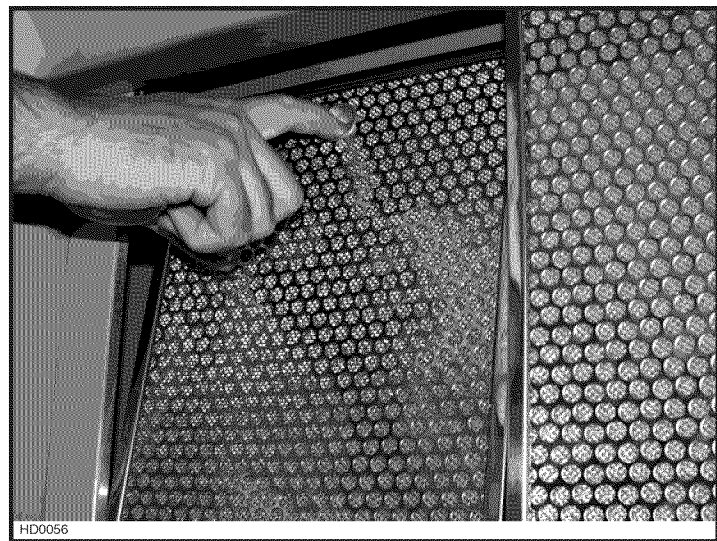
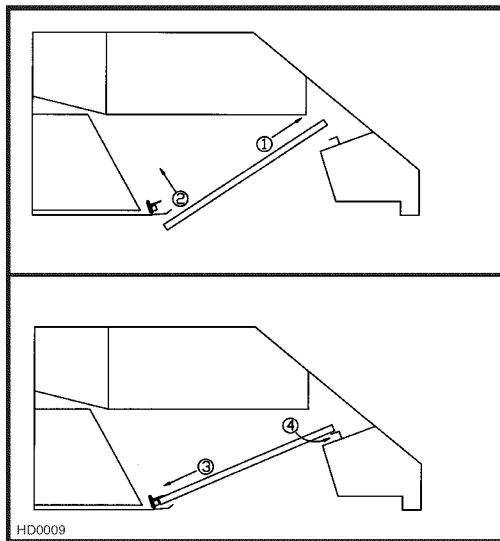
NOTA: De ser necesario, utilice un guante de caucho para lavar los platos para sujetar mejor la bombilla y sacarla.

## 13. INSTALE LOS FILTROS

Es recomendable de instalar los filtros de lado en primer lugar y de terminar con el o los filtro del centro.

1. Deslice la parte superior de los filtros en la campana.
2. Giro la parte inferior hacia el interior de la campana.
3. Instale los filtros debajo del atadero y tire.
4. Cuando este tirando sobre los filtros, deslice debajo de la pieza del retenido interior.

Los filtros de zig zag son disponibles en opción (ver la hoja de instalación que se encuentra incluida con los filtros a zig zag).



## 14. MANTENIMIENTO

Filtros y la(s) rueda(s) del ventilador.

Los filtros, canal y la(s) rueda(s) del ventilador deben ser frecuentemente limpiadas. Use agua tibia y una solución de detergente. Los filtros y la(s) rueda(s) del ventilador se pueden lavar en el lavaplatos.

## 14. MANTENIMIENTO (CONTINUACIÓN)

### *Limpieza de la campana*

Acero inoxidable: como mantener una apariencia brillante.

#### **Lo que debe hacer:**

- Lavar regularmente la superficie con un trapo o un paño empapado de agua tibia y de jabón suave o detergente a vajilla.
- Siempre limpie en el sentido de las líneas originales de pulimento.
- Siempre enjuague bien con agua limpia (2 a 3 veces) después de haber limpiado seque completamente la superficie.
- Usted puede utilizar un limpiador doméstico hecho especialmente para el acero inoxidable.

#### **Lo que no debe hacer:**

- No utilice ninguna lana de acero o de acero inoxidable o todo otro raspador para quitar la suciedad tenaz.
- No utilice ningún limpiador en polvo abrasivo o riguroso.
- No deje la suciedad acumularse.
- No deje el polvo de yeso o todo otro residuo de construcción que caiga en la campana, cúbrala durante el trabajo para asegurarse que en ningún caso el polvo se pegue a la superficie del acero.

#### **A evitar cuando elige un detergente:**

- Todos los productos de limpieza que contienen **agentes de blanqueo**; van a deteriorar el acero inoxidable.
- Todos los productos que contienen **cloruro, fluoruro, yoduro o bromuro**; estos deterioran rápidamente las superficies.
- Todos los **productos combustible** utilizados para la limpieza: **acetona, alcohol, éter, benzol**, etc...; son extremadamente explosivos y no deben ser utilizados cerca de una cocina.

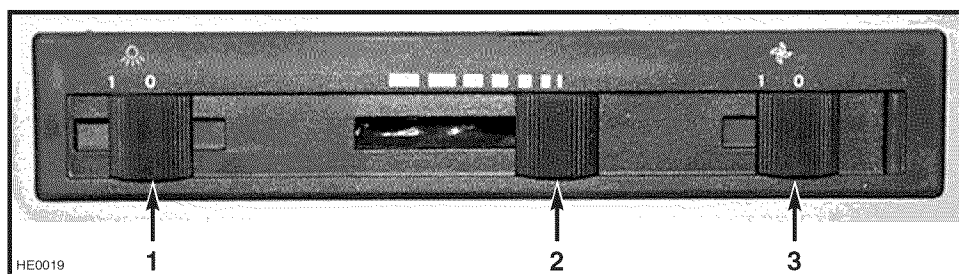
#### Superficies pintada:

Limpie con agua caliente agregue solamente un detergente suave. Si hay decoloración, utilice una buena cera a pintura como una cera para auto (**NO UTILICE** un limpiador casero rugoso o un limpiador a porcelana).

## 15. FUNCIONAMIENTO

Siempre hacer funcionar la campana antes de comenzar a cocinar a fin de establecer una circulación de aire en la cocina. Deje igualmente funcionar la campana algunos minutos después de que pare de cocinar a fin de limpiar el aire. Esto ayuda a conservar la cocina mas limpia y un aire puro.

La campana funciona utilizando los 3 controles deslizables que se encuentran debajo del borde frontal de la campana.



- 1) Luces halógenas
- 2) Control de velocidad del ventilador
- 3) Encender/apagar ventilador

### **LÁMPARAS HALÓGENAS**

El interruptor de encender/apagar controlan las luces halógenas.

### **VENTILADOR**

El ventilador funciona con la ayuda de dos controles.

Utilice el control de velocidad del ventilador para aumentar la velocidad o disminuir la ventilación de la superficie para cocinar. Deslice el control hacia la izquierda para aumentar la velocidad del ventilador, y hacia la derecha para disminuirla.

El interruptor encender/apagar del ventilador enciende el ventilador a la velocidad predeterminada por el control de velocidad. Se debe encender y apagar el ventilador con este interruptor.

## 15. FUNCIONAMIENTO (CONTINUACIÓN)

### HEAT SENTRY

Su campana esta equipada con Heat Sentry. Este termostato tiene un mecanismo que se encenderá ó acelerará el ventilador si se detecta un calor excesivo encima de la cocina.

1. Si el ventilador esta apagado - el se prenderá a una velocidad máxima.
2. Si el ventilador esta encendido a una velocidad mínima - el se prenderá a una velocidad máxima.

### ADVERTENCIA

**HEAT SENTRY puede comenzar a funcionar al igual si la campana esta parada. En este caso, es imposible parar el ventilador con los interruptores. Si usted para la campana, halago a partir del panel eléctrico principal.**

Cuando la temperatura disminuye a un nivel normal, el ventilador vuelve a la función de origen.

## GARANTÍA

### BROAN GARANTÍA LIMITADA POR UN AÑO

Broan garantiza al consumidor comprador original de sus productos que dichos productos carecerán de defectos en materiales o en mano de obra por un período de un año a partir de la fecha original de compra. NO EXISTEN OTRAS GARANTÍAS, EXPRESAS O IMPLÍCITAS, INCLUYENDO, PERO NO LIMITADAS A, GARANTÍAS IMPLÍCITAS DE COMERCIALIZACIÓN O ACTITUD PARA UN PROPOSITO PARTICULAR.

Durante el período de un año, y a su propio criterio, Broan reparará o reemplazará, sin costo todo producto o pieza que se encuentre defectuosa bajo condiciones normales de servicio y uso.

Esta garantía no cubre (a) mantenimiento y servicios normales o (b) cualquier productos o piezas que hayan sido mantenidas o reparadas en inapropiadamente (por otras compañías que sea Broan), instalación defectuosa, o instalación no conforme a las instrucciones de instalación recomendadas.

La duración de cualquier garantía implícita se limita a un periodo de un año como se especifica en la garantía expresa. Algunos estados o provincias no permiten limitaciones en cuanto al tiempo de expiración de una garantía implícita, por lo que la limitación antes mencionada puede no aplicarse a usted.

LA OBLIGACIÓN DE BROAN DE REPARAR O REEMPLAZAR, SIGUIENDO EL CRITERIO DE BROAN DEBERÁ SER EL UNICO Y EXCLUSIVO RECURSO LEGAL DEL COMPRADOR BAJO ESTA GARANTÍA. BROAN NO SERÁ RESPONSABLE POR DAÑOS ACCIDENTALES, CONSIGUIENTES, O POR DAÑOS ESPÉCIALES SURGIDOS O EN CONEXIÓN CON EL USO O EL RENDIMIENTO DEL PRODUCTO. Algunos estados o provincias no permiten la exclusión o limitación de daños accidentales o consiguientes, por lo que la limitación antes mencionada puede no aplicarse a usted.

Esta garantía le proporciona derechos legales específicos, y usted puede también tener otros derechos, los cuales varían de estado a estado o de provincia a provincia. Todas las modificaciones de este producto que sean no autorizada para Broan anulan la garantía. Esta garantía reemplaza todas las garantías anteriores.

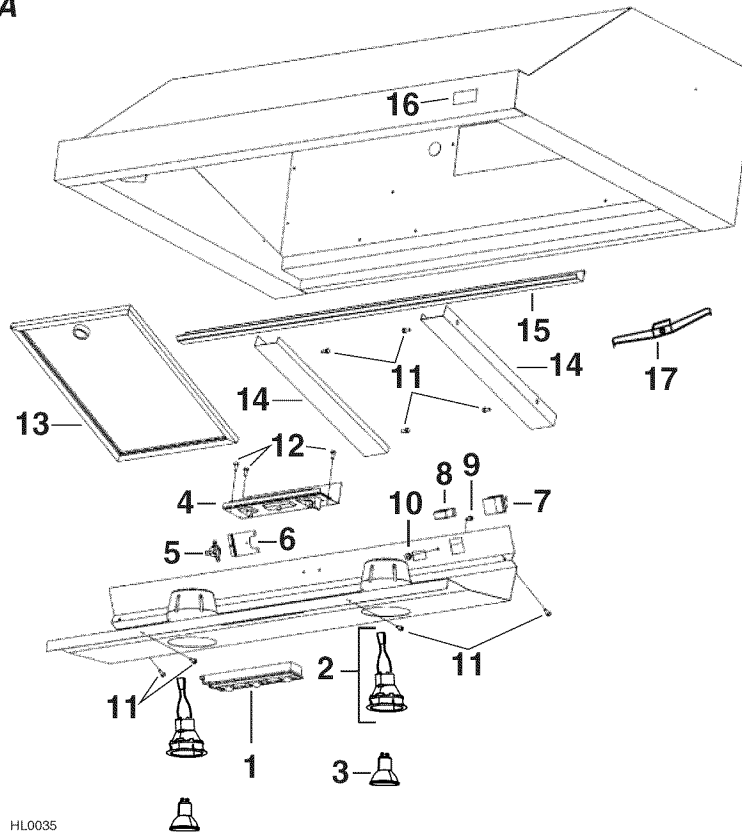
Para calificar en el servicio de garantía, usted debe (a) notificar a Broan al uno domicilio o telefono que menciona abajo, (b) dar el número del modelo y la identificación de la pieza y (c) describir la naturaleza de cualquier defecto en el producto o pieza. En el momento de solicitar servicio cubierto por la garantía, usted debe presentar evidencia de la fecha original de la compra.

**Best by Broan®**, P.O. Box 140, Hartford, WI 53027 USA (1-800-637-1453)

**Best by Broan®**, 550, boul. Lemire, Drummondville, (Québec) J2C 7W9 CANADA (1-866-737-7770)

# REPUESTOS

## MODELO K210A



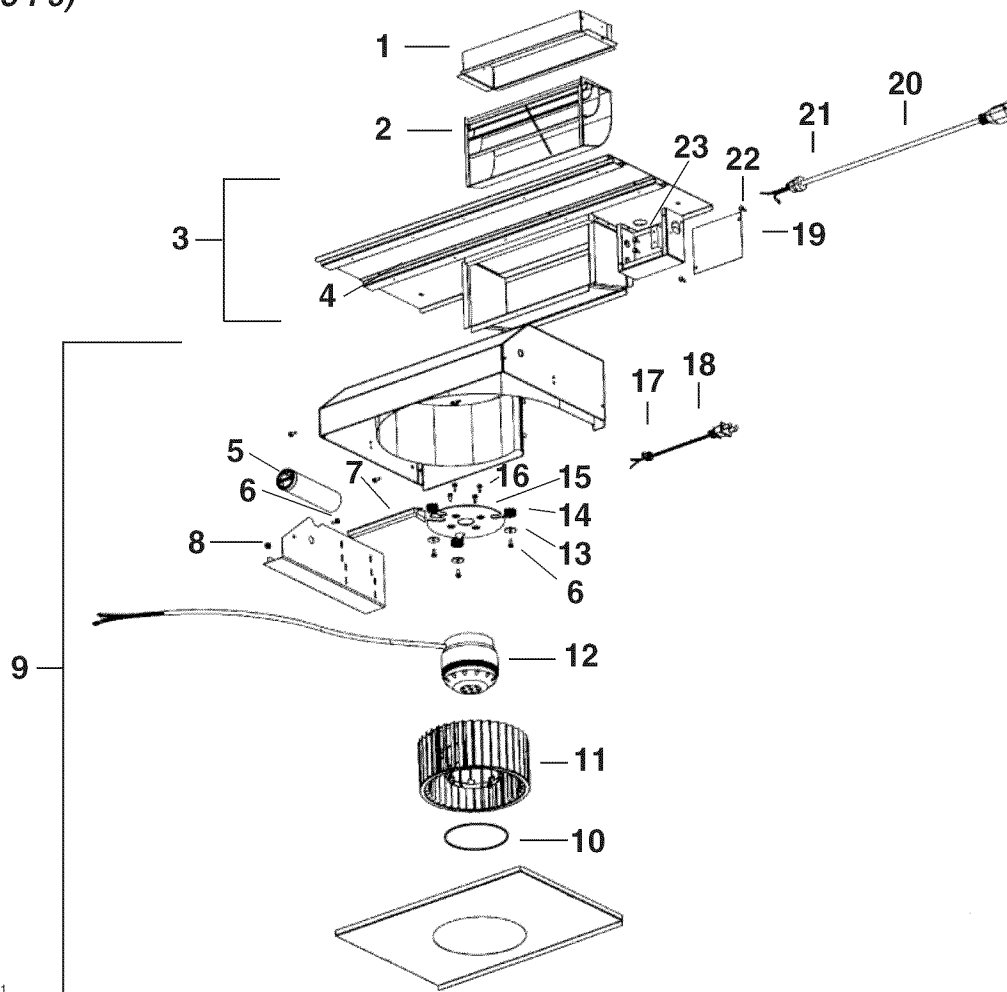
HL0035

| Nº REF. | Nº DE LA PIEZA | DESCRIPCIÓN  | CTD (anchura de campana) |     |     |     |
|---------|----------------|--|--------------------------|-----|-----|-----|
|         |                |  | 30"                      | 36" | 42" | 48" |
| 1       | V12969         | INTERRUPTOR ENSAMBLADO, NEGRO  | 1                        | 1   | 1   | 1   |
| 2       | V16555         | CONJUNTO DE LA LAMPARA   | 2                        | 2   | 3   | 3   |
| 3       | V05921         | BOMBILLA HALÓGENA 50 W, GU10   | 2                        | 2   | 3   | 3   |
| 4       | V03255         | CONTROL ENSAMBLADO   | 1                        | 1   | 1   | 1   |
| 5       | V03435         | TERMOSTATO   | 1                        | 1   | 1   | 1   |
| 6       | V03436         | SOPORTE POR TERMOSTATO   | 1                        | 1   | 1   | 1   |
| 7       | V02773         | CONECTADOR MACHO   | 1                        | 1   | 1   | 1   |
| 8       | V02772         | CONECTADOR HEMBRA  | 1                        | 1   | 1   | 1   |
| 9       | V01869         | TORNILLO MECANICO #6-32 x 1/4"   | 1                        | 1   | 1   | 1   |
| 10      | V01582         | TUERCA DENTELLADA #6-32  | 1                        | 1   | 1   | 1   |
| 11      | V05520         | TORNILLO #8 x 3/8", T/B, CABEZA #8   | 8                        | 8   | 8   | 8   |
| 12      | V01964         | TORNILLO #6 - 1/2, T/A   | 3                        | 3   | 3   | 3   |
| 13      | V03462         | FILTRO BEST 9.250" x 12.500"   | -                        | 3   | -   | 4   |
|         | V03461         | FILTRO BEST 11.125" x 12.500"  | 2                        | -   | 3   | -   |
| 14      | V12514         | ESPACIATOR FILTRO 30"  | 1                        | -   | -   | -   |
|         | V12515         | ESPACIATOR FILTRO 36"  | -                        | 1   | -   | -   |
|         | V13113         | ESPACIATOR FILTRO 42"  | -                        | -   | 1   | -   |
|         | V12516         | ESPACIATOR FILTRO 48"  | -                        | -   | -   | 1   |
| 15      | V13220         | CANAL 30"  | 1                        | -   | -   | -   |
|         | V13221         | CANAL 36"  | -                        | 1   | -   | -   |
|         | V13112         | CANAL 42"  | -                        | -   | 1   | -   |
|         | V13222         | CANAL 48"  | -                        | -   | -   | 1   |
| 16      | V05869         | LOGOTIPO "BEST BY BROAN"   | 1                        | 1   | 1   | 1   |
| 17      | V05528         | GRAPA FILTROS  | 3                        | 3   | 4   | 4   |
|         | V07398         | CABLEADO   | 1                        | 1   | 1   | 1   |
|         | V07400         | EXTENSIÓN DE CABLEADO  | -                        | -   | 1   | 1   |
|         | V03516         | MANUAL DE INSTALACIÓN  | 1                        | 1   | 1   | 1   |
|         | V13278         | BOLSA DE INSTALACIÓN: (4) tuercas a brida #10-32, (1) alambre eléctrico LP16-AP, (2) conectador de cable #74B, (8) tornillo doble hilillo 6-12 x 0.5, (6) tornillo #8 x 3/8", (2) tornillo #6 x 1/2" | 1                        | 1   | 1   | 1   |

# REPUESTOS

## PLACA Y VENTILADOR SIMPLE

(Modelo P5)

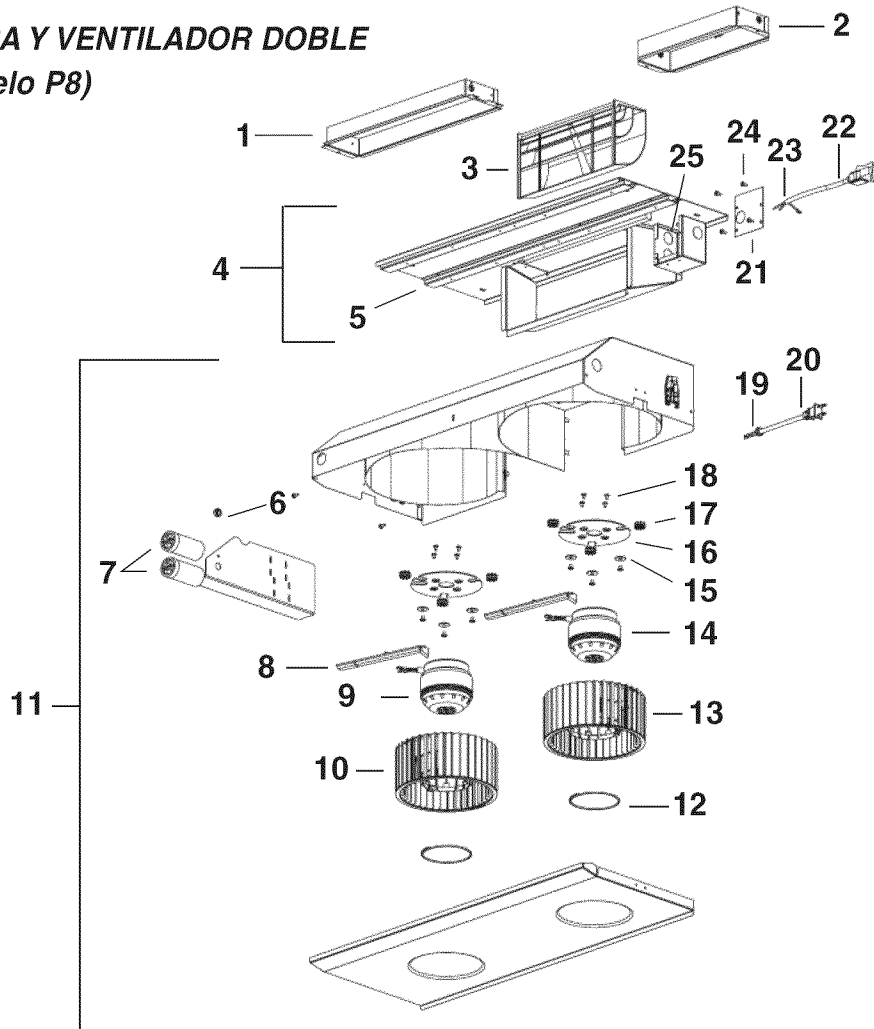


HL0021

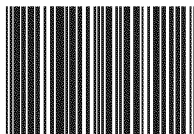
| REF. # | # PIEZA | DESCRIPCIÓN                                | CTD |
|--------|---------|--|-----|
| 1      | V13296  | ADAPTADOR & COMPUERTA 3 1/4" x 10"         | 1   |
| 2      | V03500  | DEFLECTOR DE AIRE                          | 1   |
| 3      | V12997  | MONTAJE DE PLACA DE VENTILADOR SIMPLE      | 1   |
| 4      | V03577  | ESPUMA 1/2" x 1/2" x 12"                   | 1   |
| 5      | V02160  | CONDENSADOR 15MFD                          | 1   |
| 6      | V01869  | TORNILLO MECÁNICO #6-32 x 1/4"             | 4   |
| 7      | V01857  | CUBRE-CABLE                                | 1   |
| 8      | V01582  | TUERCA DENTELLADA #6-32                    | 1   |
| 9      | V14973  | MONTAJE DE VENTILADOR SIMPLE               | 1   |
| 10     | V01810  | ANILLO RUEDA                               | 2   |
| 11     | V03400  | RUEDA CAMPANA 7.094" x 3.375" CW           | 1   |
| 12     | V01766  | MOTOR 165 W CW                             | 1   |
| 13     | V00871  | ARANDELA 3/16" DI x 3/4" DE                | 3   |
| 14     | V02001  | OJETE MOTOR G-431-1                        | 3   |
| 15     | V01831  | ABRAZADERA 8"                              | 2   |
| 15     | V11705  | SOPORTE MOTOR                              | 1   |
|        | V11614  | CABLE #18 TEW MARRÓN x 10"                 | 1   |
| 16     | V01927  | TORNILLO METRICO M4 x 6 MM (TIPO PAN) QDRX | 4   |
| 17     | V03495  | APAGO DE TRACCIÓN CABLE VENTILADOR         | 1   |
| 18     | V03494  | CABLE ALIMENTACIÓN VENTILADOR 36"          | 1   |
| 19     | V13230  | PUERTA CONEXIÓN ELÉCTRICA                  | 1   |
| 20     | V03496  | CABLE ALIMENTACIÓN 120 VOLTIOS             | 1   |
| 21     | V00660  | APAGO DE TRACCIÓN CABLE ALIMENTACIÓN       | 1   |
| 22     | V05520  | TORNILLO #8 x 3/8", T/B, CABEZA #8         | 2   |
| 23     | V00613  | TORNILLO #10-32 x 3/8, TF, VERDE           | 2   |

# REPUESTOS

## PLACA Y VENTILADOR DOBLE (Modelo P8)



| REF. #. | # PIEZA | DESCRIPCIÓN                                | CTD. |
|---------|---------|--|------|
| 1       | V14971  | ADAPTADOR & COMPUERTA 3 1/4" x 14"         | 1    |
| 2       | V13296  | ADAPTADOR & COMPUERTA 3 1/4" x 10"         | 1    |
| 3       | V03500  | DEFLEKTOR DE AIRE                          | 1    |
| 4       | V14975  | MONTAJE DE PLACA DE VENTILADOR DOBLE       | 1    |
| 5       | V03577  | ESPUMA 1/2" x 1/2" x 12"                   | 1    |
| 6       | V01582  | TUERCA DENTELLADA #6-32                    | 1    |
| 7       | V02160  | CONDENSADOR 15 MFD                         | 2    |
| 8       | V01857  | CUBRE-CABLE                                | 2    |
| 9       | V01766  | MOTOR 165 W CW                             | 1    |
| 10      | V03400  | RUEDA CAMPANA 7.094" x 3.375" CW           | 1    |
| 11      | V14974  | MONTAJE DE VENTILADOR DOBLE                | 1    |
| 12      | V01810  | ANILLO RUEDA                               | 2    |
| 13      | V03399  | RUEDA CAMPANA 7.094" x 3.375" CCW          | 1    |
| 14      | V03457  | MOTOR 165 W CCW                            | 1    |
| 15      | V00871  | ARANDELA 3/16" DI x 3/4" DE                | 6    |
| 16      | V01831  | ABRAZADERA 8"                              | 4    |
| 16      | V11705  | SOPORTE MOTOR                              | 2    |
| 16      | V11614  | CABLE #18 TEW MARRÓN x 10"                 | 2    |
| 17      | V02001  | OJETE MOTOR G-431-1                        | 6    |
| 18      | V01927  | TORNILLO MÉTRICO M4 x 6 MM (TIPO PAN) QDRX | 8    |
| 19      | V03495  | APAGO DE TRACCIÓN CABLE VENTILADOR         | 1    |
| 20      | V03494  | CABLE ALIMENTACIÓN VENTILADOR 36"          | 1    |
| 21      | V14960  | PUERTA CONEXIÓN ELÉCTRICA                  | 1    |
| 22      | V00660  | APAGO DE TRACCIÓN CABLE ALIMENTACIÓN       | 1    |
| 23      | V03496  | CABLE ALIMENTACIÓN 120 VOLTIOS             | 1    |
| 24      | V00606  | TORNILLO #8 x 3/8", T/B. CABEZA #8         | 4    |
| 25      | V00613  | TORNILLO #10-32 x 3/8, TF, VERDE           | 2    |



7 72371 04951 2