

JENN-AIR® REFRIGERATOR/ REFRIGERADOR/RÉFRIGÉRATEUR

**Glass Door & Glass Door Overlay Models/Modelos con puerta de cristal
y recubrimiento de puerta de cristal/Modèles avec porte en verre et
porte en verre avec revêtement**

USE & CARE GUIDE

For questions about features, operation/performance, parts, accessories, or service, call:
1-800-JENNAIR (1-800-536-6247) or visit our website at www.jennair.com.

In Canada, call: **1-800-JENNAIR (1-800-536-6247)**, or visit our website at www.jennair.ca.

MANUAL DE USO Y CUIDADO

Si tiene preguntas respecto a las características, funcionamiento, rendimiento, partes, accesorios o servicio técnico, llame al:
1-800-JENNAIR (1-800-536-6247) o visite nuestro sitio de internet www.jennair.com.

En Canadá, llame al: **1-800-JENNAIR (1-800-536-6247)**, o visite nuestro sitio de internet www.jennair.ca.

GUIDE D'UTILISATION ET D'ENTRETIEN

Au Canada, pour assistance, installation ou service, composez le **1-800-JENNAIR (1-800-536-6247)** ou visitez notre site web à
www.jennair.ca.

Table of Contents/Índice/Table des matières..... 2

JENN-AIR®

W10741585A/8336460127000

TABLE OF CONTENTS

REFRIGERATOR SAFETY	3	REFRIGERATOR FEATURES	11
INSTALLATION REQUIREMENTS	4	Refrigerator Shelves	11
Tools and Parts	4	REFRIGERATOR CARE	11
Location Requirements	4	Base Grille	11
Product Dimensions	4	Cleaning.....	11
Custom Overlay Panel	5	Vacation and Moving Care.....	12
Custom Handle (optional)	6	TROUBLESHOOTING	12
Electrical Requirements	6	ASSISTANCE OR SERVICE	13
INSTALLATION INSTRUCTIONS	6	In the U.S.A.	13
Unpack the Refrigerator	6	In Canada	13
Install Custom Overlay Panel.....	7	WARRANTY	14
Door Closing.....	8		
REFRIGERATOR USE	9		
Normal Sounds	9		
Using the Controls	9		

ÍNDICE

SEGURIDAD DEL REFRIGERADOR	15	CARACTERÍSTICAS DEL REFRIGERADOR	23
REQUISITOS DE INSTALACIÓN	16	Estantes del refrigerador	23
Herramientas y piezas.....	16	CUIDADO DEL REFRIGERADOR	24
Requisitos de ubicación.....	16	Rejilla de la base.....	24
Medidas del producto.....	17	Limpieza	24
Marco recubierto a la medida	17	Cuidado durante las vacaciones y mudanzas.....	24
Manija a la medida (opcional)	18	SOLUCIÓN DE PROBLEMAS	25
Requisitos eléctricos	18	AYUDA O SERVICIO TÉCNICO	26
INSTRUCCIONES DE INSTALACIÓN	19	En los EE.UU.	26
Desempaque del refrigerador	19	En Canadá.....	26
Cómo instalar el panel recubierto a la medida	19	GARANTÍA	27
Cierre de la puerta.....	20		
USO DEL REFRIGERADOR	21		
Sonidos normales	21		
Uso de los controles	21		

TABLE DES MATIÈRES

SÉCURITÉ DU RÉFRIGÉRATEUR	29	CARACTÉRISTIQUES DU RÉFRIGÉRATEUR	38
EXGENCES D'INSTALLATION	30	Tablettes du réfrigérateur.....	38
Outils et pièces.....	30	ENTRETIEN DU RÉFRIGÉRATEUR	38
Exigences d'emplacement.....	30	Grille de la base.....	38
Dimensions du produit.....	31	Nettoyage	38
Cadre décoratif personnalisé.....	31	Précautions à prendre pour les vacances et avant un déménagement	39
Poignée personnalisée (facultative)	32	DÉPANNAGE	40
Spécifications électriques	33	ASSISTANCE OU SERVICE	41
INSTRUCTIONS D'INSTALLATION	33	Aux États-Unis.....	41
Déballage du réfrigérateur	33	Au Canada.....	41
Installation du panneau décoratif personnalisé.....	33	GARANTIE	42
Fermeture de la porte.....	35		
UTILISATION DU RÉFRIGÉRATEUR	35		
Sons normaux	35		
Utilisation des commandes.....	35		

REFRIGERATOR SAFETY

Your safety and the safety of others are very important.

We have provided many important safety messages in this manual and on your appliance. Always read and obey all safety messages.



This is the safety alert symbol.

This symbol alerts you to potential hazards that can kill or hurt you and others.

All safety messages will follow the safety alert symbol and either the word "DANGER" or "WARNING."

These words mean:

⚠ DANGER

You can be killed or seriously injured if you don't **immediately** follow instructions.

⚠ WARNING

You can be killed or seriously injured if you don't follow instructions.

All safety messages will tell you what the potential hazard is, tell you how to reduce the chance of injury, and tell you what can happen if the instructions are not followed.

IMPORTANT SAFETY INSTRUCTIONS

WARNING: To reduce the risk of fire, electric shock, or injury when using your refrigerator, follow these basic precautions:

- Plug into a grounded 3 prong outlet.
- Do not remove ground prong.
- Do not use an adapter.
- Do not use an extension cord.
- Disconnect power before servicing.
- Replace all parts and panels before operating.
- Remove doors from your old refrigerator.
- Use nonflammable cleaner.
- Keep flammable materials and vapors, such as gasoline, away from refrigerator.
- Use two or more people to move and install refrigerator.

SAVE THESE INSTRUCTIONS

State of California Proposition 65 Warnings:

WARNING: This product contains one or more chemicals known to the State of California to cause cancer.

WARNING: This product contains one or more chemicals known to the State of California to cause birth defects or other reproductive harm.

Proper Disposal of Your Old Refrigerator

⚠ WARNING

Suffocation Hazard

Remove doors from your old refrigerator.

Failure to do so can result in death or brain damage.

IMPORTANT: Child entrapment and suffocation are not problems of the past. Junked or abandoned refrigerators are still dangerous – even if they will sit for "just a few days." If you are getting rid of your old refrigerator, please follow these instructions to help prevent accidents.

Before You Throw Away Your Old Refrigerator or Freezer:

- Take off the door.
- Leave the shelves in place so that children may not easily climb inside.



Important information to know about disposal of refrigerants:

Dispose of refrigerator in accordance with Federal and Local regulations. Refrigerants must be evacuated by a licensed, EPA certified refrigerant technician in accordance with established procedures.

INSTALLATION REQUIREMENTS

Tools and Parts

Gather the required tools and parts before starting installation.

Tool Needed:

- Phillips screwdriver

Parts Needed:

- Custom Overlay Panel—See “Overlay Panel—Rear View.”
- Hardware (optional)

Part Supplied:

- M4 x 14 wood screws (8)

Location Requirements

⚠ WARNING



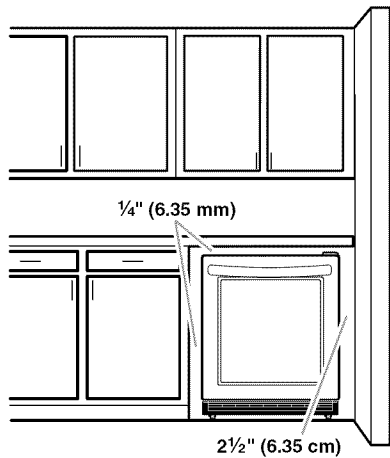
Explosion Hazard

Keep flammable materials and vapors, such as gasoline, away from refrigerator.

Failure to do so can result in death, explosion, or fire.

NOTES:

- For the refrigerator to be flush with the front of the base cabinets, remove any baseboards or moldings from the rear of the opening. See “Product Dimensions,” and later in this section, “Opening Dimensions.”
- It is recommended that you do not install the refrigerator near an oven, radiator, or other heat source.
- Do not install in a location where the temperature will fall below 55°F (13°C). For best performance, do not install the refrigerator behind a cabinet door or block the base grille.

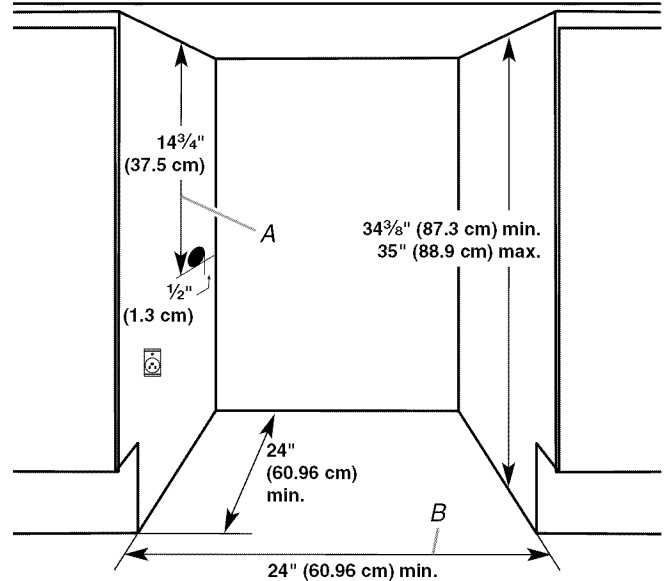


Opening Dimensions

- Height dimensions are shown with the leveling legs extended to the minimum height.

NOTE: When leveling legs are fully extended, add 5/8" (15 mm) to the height dimensions. See “Product Dimensions.”

- If the floor of the opening is not level with the kitchen floor, shim the opening to make it level with the kitchen floor.



Critical Dimensions:

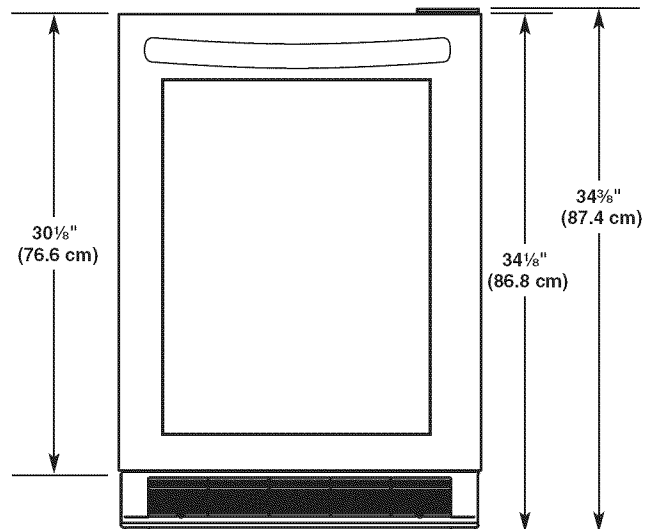
A. 14 3/4" (37.5 cm) utility opening

B. 24" (60.96 cm) minimum opening width

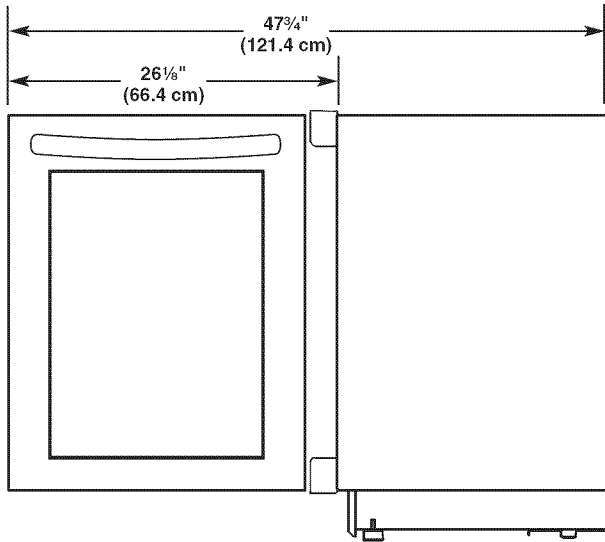
Product Dimensions

- Height dimensions are shown with the leveling legs NOT extended.
- The power cord is 60" (152.4 cm) long.

Front View

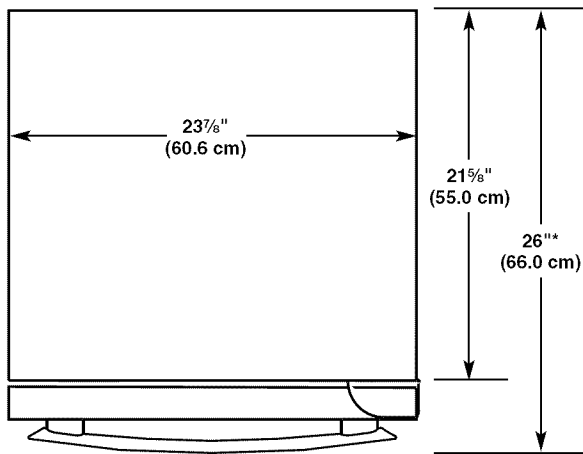


Side View (door open 90°)



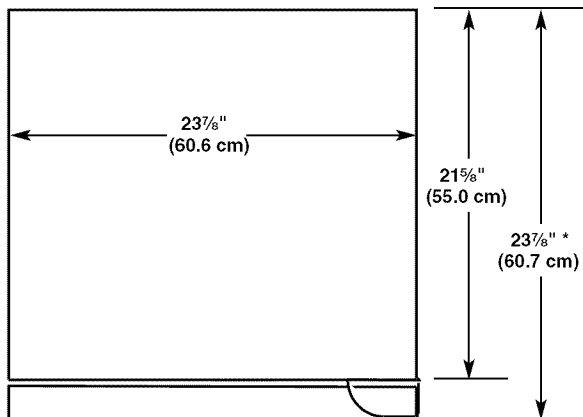
Top View

Non-Overlay Models



*Dimension includes Euro-series style handle

Overlay Models



*Dimension includes 3/4" (1.91 cm) thick custom door panel.

Custom Overlay Panel

Overlay Door Models Only

If you plan to install a custom overlay panel, you will need to create the panel yourself or consult a qualified cabinetmaker or carpenter. See dimension drawings for panel specifications.

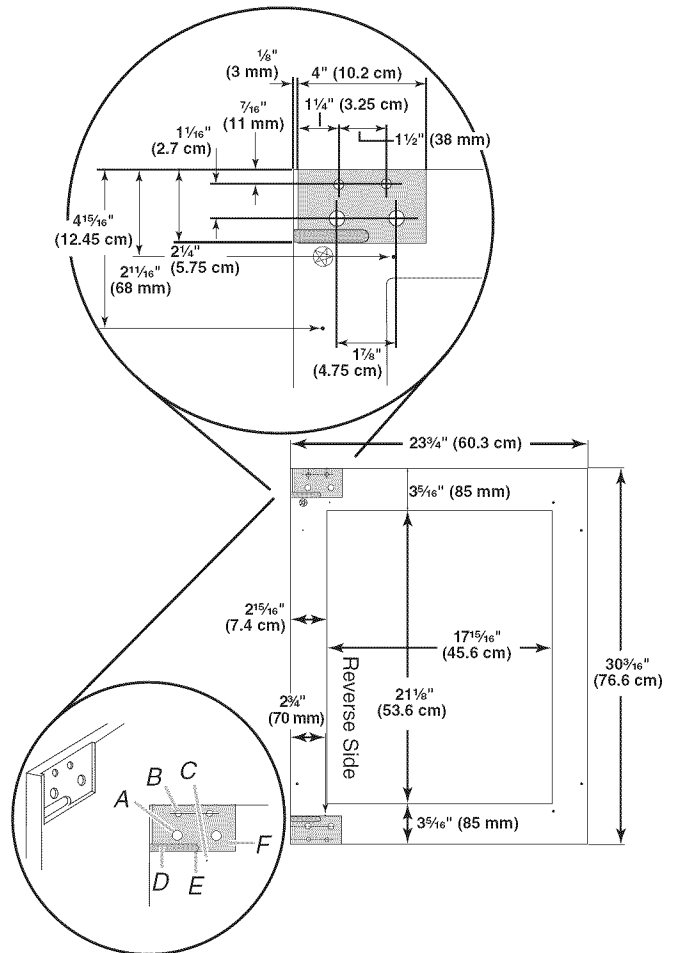
IMPORTANT:

- The thickness of the overlay panel must be 3/4" (1.91 cm).
- Overlay panel must not weigh more than 10 lbs (4.54 kg).
- Overlay panels weighing more than recommended may cause damage to your appliance.

Overlay Panel - Rear View

Create the custom overlay panel using the dimensions shown.

IMPORTANT: The following graphic shows a custom panel for a door with the hinges installed on the right-hand side. If your refrigerator has the hinges installed on the left-hand side, rotate the custom panel 180° so the hinge markings will be on the left.

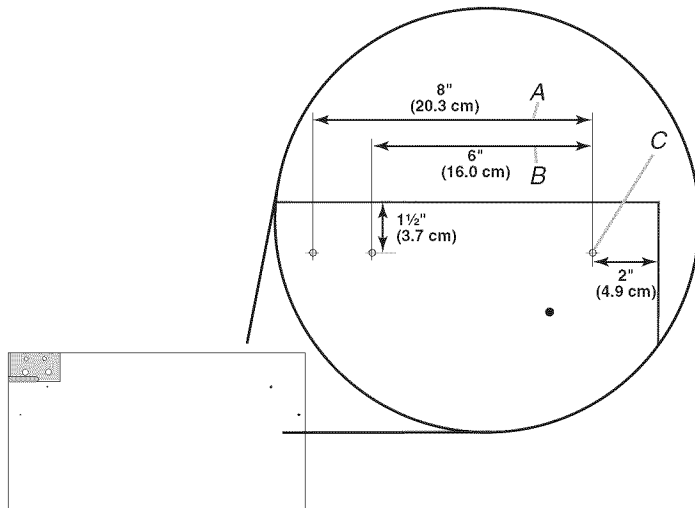


- F** A. Drill holes using a 19/32" (12 mm) drill bit to a depth of approximately 1/2" (13 mm) before routing. (4 holes total)
 B. Drill holes using a 5/16" (8 mm) drill bit to a depth of approximately 1/2" (13 mm) before routing. (4 holes total)
 C. Drill holes using a 7/64" (2.8 mm) drill bit to a depth of approximately 1/2" (13 mm). (8 holes total)
 D. Rout shaded areas for hinges to a 19/32" (15 mm) depth.
 E. Rout shaded areas for hinges to a 1/4" (4 mm) depth.
 F. Corner radius of 1/8" (3 mm) using a 1/4" drill bit when routing (5 radiuses total)

Custom Handle (optional) Overlay Door Models Only

Custom handles are typically attached to the custom overlay door panel only. There are two custom handle locations provided on the refrigerator where the handle may be attached through the custom overlay door panel and to the inside of the refrigerator door for enhanced stability. The two locations provided accommodate popular kitchen cabinet pull/handle sizes of 8" (203 mm) and 6¼" (160 mm).

1. Follow the instructions to make the custom overlay panel.
2. See the following dimension drawings for custom handle specifications.
3. Drill custom handle holes to match the size of your custom handle—8" (203 mm) or 6¼" (160 mm).
4. Install custom handle before installing overlay panel on refrigerator door.



- A. 8" (203 mm) handle holes
 B. 6" (160 mm) handle holes
 C. Drill holes using a 3/16" (4.5 mm) drill bit (2 holes)

NOTE: Custom handles that are placed in a different location (see preceding drawing) or are not the recommended size (8" [203 mm] or 6¼" [160 mm]) need to be installed on the door panel with countersunk holes, and installed before the custom overlay door panel has been installed on the refrigerator door.

Electrical Requirements

⚠ WARNING



Electrical Shock Hazard

Plug into a grounded 3 prong outlet.

Do not remove ground prong.

Do not use an adapter.

Do not use an extension cord.

Failure to follow these instructions can result in death, fire, or electrical shock.

Before you move your refrigerator into its final location, it is important to make sure you have the proper electrical connection.

Recommended Grounding Method

A 115 volt, 60 Hz., AC only, 15- or 20-amp fused, grounded electrical supply is required. It is recommended that a separate circuit serving only your refrigerator be provided. Use an outlet that cannot be turned off by a switch. Do not use an extension cord.

NOTE: Before performing any type of installation, cleaning, or removing a light bulb, unplug refrigerator or disconnect power.

INSTALLATION INSTRUCTIONS

Unpack the Refrigerator

⚠ WARNING

Excessive Weight Hazard

Use two or more people to move and install refrigerator.

Failure to do so can result in back or other injury.

Remove the Packaging

- Remove tape and glue residue from surfaces before turning on the refrigerator. Rub a small amount of liquid dish soap over the adhesive with your fingers. Wipe with warm water and dry.
- Do not use sharp instruments, rubbing alcohol, flammable fluids, or abrasive cleaners to remove tape or glue. These products can damage the surface of your refrigerator. For more information, see "Refrigerator Safety."

- Dispose of/recycle all packaging materials.

When Moving Your Refrigerator:

Your refrigerator is heavy. When moving the refrigerator for cleaning or service, be sure to cover the floor with cardboard or hardboard to avoid floor damage. Always pull the refrigerator straight out when moving it. Do not wiggle or “walk” the refrigerator when trying to move it, as floor damage could occur.

Clean Before Using

After you remove all of the package materials, clean the inside of your refrigerator before using it. See the cleaning instructions in “Refrigerator Care.”

Important information to know about glass shelves and covers:

Do not clean glass shelves or covers with warm water when they are cold. Shelves and covers may break if exposed to sudden temperature changes or impact, such as bumping. Tempered glass is designed to shatter into many small, pebble-size pieces. This is normal. Glass shelves and covers are heavy. Use both hands when removing them to avoid dropping.

Install Custom Overlay Panel

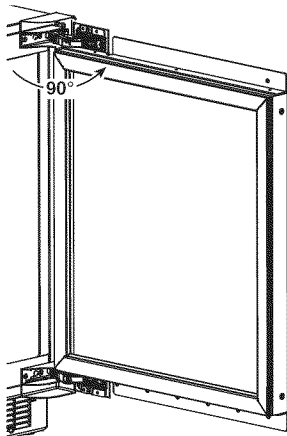
Overlay Door Models Only

IMPORTANT:

- Create custom overlay panel according to the specifications in the “Custom Overlay Panel” section.
- Jenn-Air is not responsible for the removal or addition of molding or decorative panels that would not allow access to the appliance for service.

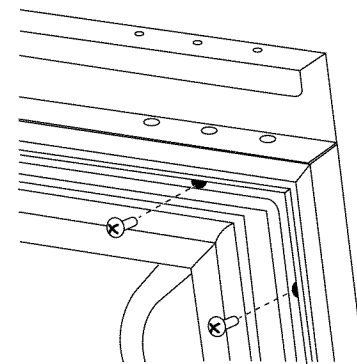
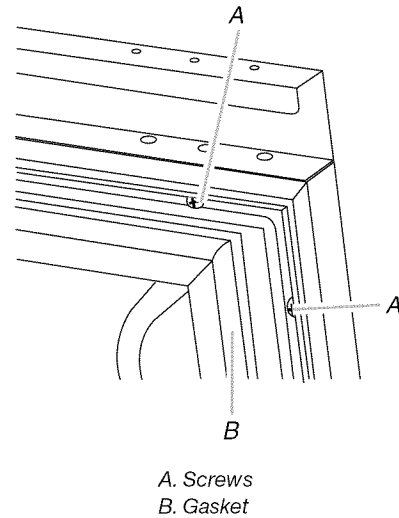
Install Custom Panel

1. Open the door completely to 90°.

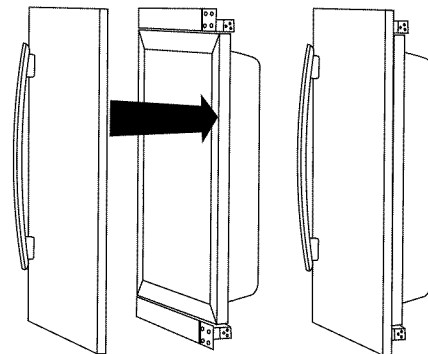


2. Remove the gasket from the corners of the door, pulling gently until the two screws in each corner of the door can be seen.

NOTE: The gasket does not have to be removed from the door, only the corners.



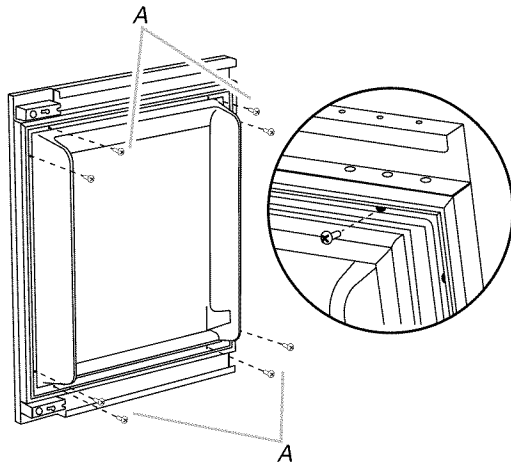
3. Remove the four pairs of screws from the door.
4. Using two people, hold the custom overlay panel so that the holes in the back of the panel align with the holes on the door.



NOTE: Custom handles that are placed in a different location (see the “Custom Handle (optional)” section) or are not the recommended size (8" [203 mm] or 6¼" [160 mm]) need to be installed on the door panel with countersunk holes, and installed before the custom overlay door panel has been installed on the refrigerator door.

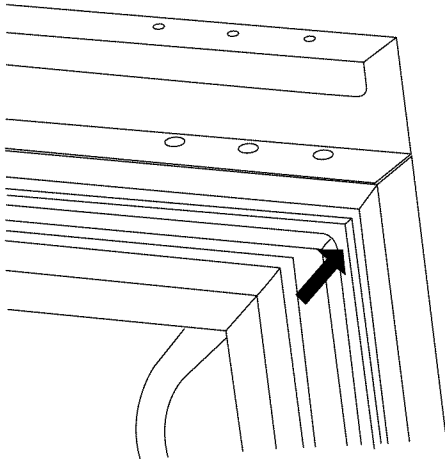
- Then, fasten the custom panel to the door using two wood screws (provided in installation kit) at each corner.

NOTE: Do not use the same screws that were previously removed.

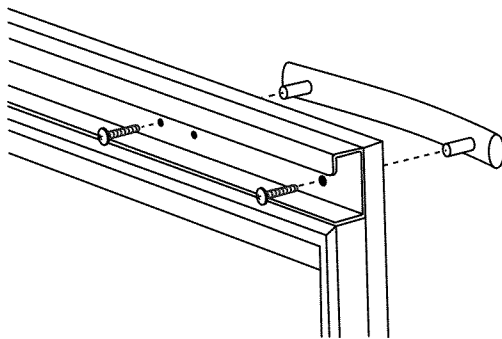


A. M4 x 14 wood screws

- Press the gasket firmly back into its original position.



- For 8" (203 mm) or 6¼" (160 mm) custom handles, install the custom handle from the inside/back of the refrigerator door using screws provided with the handle.



Door Closing

Door Closing

Your refrigerator has four leveling legs. If your refrigerator seems unsteady or you want the door to close more easily, adjust the refrigerator's tilt using the instructions below.

⚠ WARNING



Electrical Shock Hazard

Plug into a grounded 3 prong outlet.

Do not remove ground prong.

Do not use an adapter.

Do not use an extension cord.

Failure to follow these instructions can result in death, fire, or electrical shock.

- Plug into a grounded 3 prong outlet.

⚠ WARNING

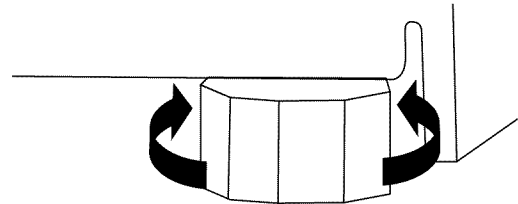
Excessive Weight Hazard

Use two or more people to move and install refrigerator.

Failure to do so can result in back or other injury.

- Move the refrigerator into its final location.
- Turn the leveling legs to the right to lower the refrigerator or turn the leveling legs to the left to raise it. It may take several turns of the leveling legs to adjust the tilt of the refrigerator.

NOTE: Having someone push against the top of the refrigerator takes some weight off the leveling legs. This makes it easier to adjust the leveling legs.



- Open the door again to make sure that it closes as easily as you like. If not, tilt the refrigerator slightly more to the rear by turning both front leveling screws to the left. It may take several more turns, and you should turn both leveling legs the same amount.

REFRIGERATOR USE

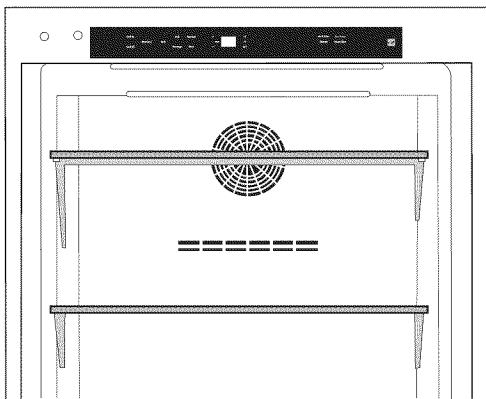
Normal Sounds

Your new refrigerator may make sounds that your old one did not make. Because the sounds are new to you, you might be concerned about them. Most of the new sounds are normal. Hard surfaces, such as the flooring and surrounding structures, can make the sounds seem louder. The following describes the kinds of sounds and what may be making them.

- Your refrigerator is designed to run more efficiently to keep your food items at the desired temperatures and to minimize energy usage. The high efficiency compressor and fans may cause your refrigerator to run longer than your old one. You may also hear a pulsating or high-pitched sound from the compressor or fans adjusting to optimize performance.
- Rattling noises may come from the flow of refrigerant or items stored inside the refrigerator.
- As each cycle ends, you may hear a gurgling sound due to the refrigerant flowing in your refrigerator.
- You may hear water running into the drain pan when the refrigerator is defrosting.
- You may hear clicking sounds when the refrigerator starts or stops running.

Using the Controls

The control panel is located at the top of the compartment and facing front. The control of the refrigerator has no mechanical parts or buttons. When disconnected, the control panel displays nothing and may be difficult to locate.

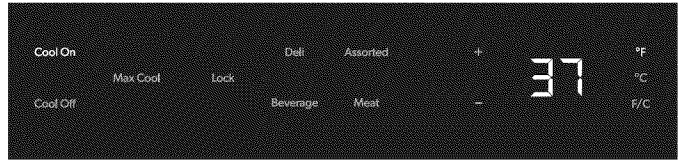


Turning Control On/Off

- The first time that the refrigerator is plugged in, the control will be in Cool Off mode. Cool On and Cool Off will be the only options that display.



- Press COOL ON for 3 seconds to turn on the refrigerator. All menus and recommended temperature settings will be displayed.



Viewing Celsius Temperatures

- Press the F/C touch pad to toggle between displaying the temperature in degrees Fahrenheit and degrees Celsius. The corresponding indicator will illuminate.

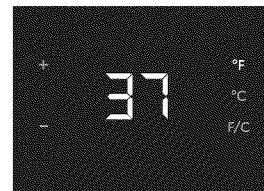


A. F/C touch pad

Adjusting the Controls

When the refrigerator is turned On for the first time, a recommended temperature is set by default.

- To adjust set point temperatures, press "+" (plus) or "-" (minus) until the desired temperature setting is reached.



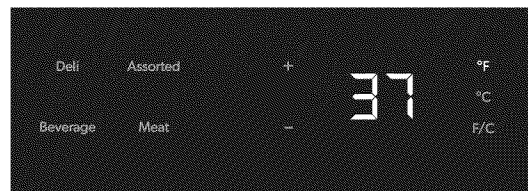
NOTE: The default recommended temperature for the refrigerator is 37°F (2°C). The set point range for this model is 32°F to 42°F (0°C to 5°C).

The control is set correctly when milk and beverages are as cold as you like.

NOTE: Wait at least 24 hours between adjustments so the refrigerator can acclimate.

Using Presets

For your convenience, your refrigerator also has controls that are preset to recommended storage temperatures for specific products.



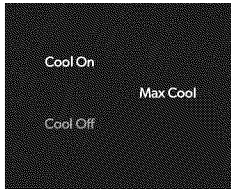
Pressing any preset option will set the temperature value to recommended temperature for each category:

- Deli: 39°F (3°C)
- Assorted: 37° (2°C)
- Beverage: 34°F (1°C)
- Meat: 32°F (0°C)

Max Cool

The Max Cool feature assists with periods of heavy usage, full grocery loads or temporarily warm room temperatures.

Max Cool will reset the temperature for the refrigerator to the coldest setting (32°F [0°C]) for a 24-hour period.



NOTE: The temperature display will remain at the coldest setting(s) and the indicator light will remain On for a 24-hour period unless any of the following happens:

- Temperature is adjusted
- Cool Off Mode is selected
- Sabbath Mode is selected

After 24 hours, the temperature will automatically return to the previous temperature set point and the indicator light will turn Off.

Auto Light

The refrigerator has a sensor that will turn on the interior display light automatically when someone walks by. When motion is no longer detected, the interior display light will go off after 2 minutes.

- Press the Auto Light option to activate this feature.



- When the Auto Light is not activated, the interior display light will only turn on when the door is opened.

NOTES:

- Leaving the light on for an extended period of time will slightly increase the temperature of the refrigerator.
- The light is an LED, which does not need to be replaced. However, if the LED does not illuminate when the door is opened, call Service to check the problem and replace if necessary. See "Assistance or Service" for contact information.

Sabbath Mode

Sabbath Mode is designed for the traveler or for those whose religious observances require turning off the lights. By selecting this feature, the temperature set points remain unchanged, but the control panel lights, interior lights, and control audio turn off.

For most efficient operation, it is recommended to exit the Sabbath Mode when it is no longer required.



- Press and hold SABBATH for 3 seconds to turn on the feature. After the 3-second countdown, the feature will activate and all other displays will turn Off.
- Press and hold SABBATH for 3 seconds to turn off the feature and turn on the display.

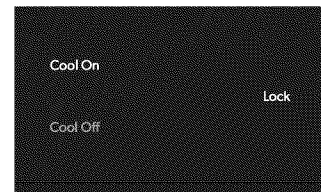
Door Open

If the door is open longer than 5 minutes, an alarm will sound every 2 minutes until the door is closed or any control is pressed.

Lock Mode

The Lock mode deactivates all other options to avoid any changes being made to your desired temperature settings.

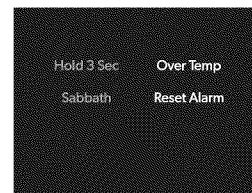
- To activate, press and hold LOCK for 3 seconds. After the 3-second countdown, all other displays will turn off and become unavailable except Cool On, Cool Off, and Lock.



Over Temperature Alarm

NOTE: If the Over Temperature Alarm activates, your food may spoil. See "Power Interruptions." Minimize door openings until temperatures return to normal.

The Over Temperature feature is designed to let you know when the refrigerator temperature rises above 45°F (7°C) longer than 4 hours. The audio alarm will shut off automatically when the temperature returns to normal, but the indicator light will continue to flash until an Alarm Reset has been performed to let you know that an over temperature condition occurred.



If the over temperature condition is still present when an Over Temp reset is performed, the indicator light will continue to reactivate every 4 hours until refrigerator temperatures are below 45°F (7°C).

NOTE: These features will not appear on your control unless your refrigerator is over temperature and the alarm requires a reset.

Showroom Mode

This mode is used only when the refrigerator is on display in a retail store. If you unintentionally turn on Showroom Mode, Cool Off will light up on the display, and the controls will appear to work. Exit Showroom Mode by pressing and holding COOL ON and SABBATH at the same time for 3 seconds.

REFRIGERATOR FEATURES

Important information to know about glass shelves and covers:

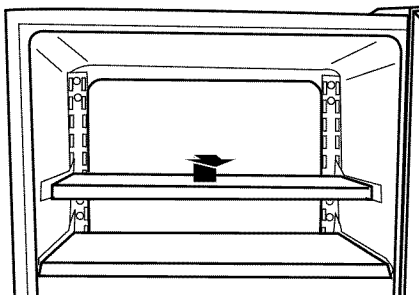
Do not clean glass shelves or covers with warm water when they are cold. Shelves and covers may break if exposed to sudden temperature changes or impact, such as bumping. Tempered glass is designed to shatter into many small, pebble-size pieces. This is normal. Glass shelves and covers are heavy. Use both hands when removing them to avoid dropping.

Refrigerator Shelves

To Remove or Adjust Upper Shelves:

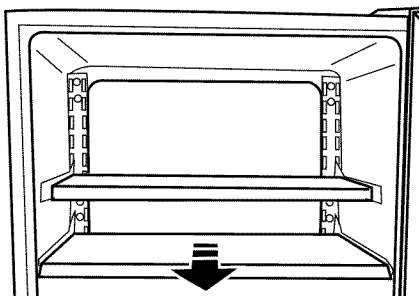
1. Remove the shelf by lifting it up and out of the shelf brackets.
2. Remove the two shelf brackets and reposition them in the desired location.
3. Replace the shelf by inserting it into the shelf brackets.

NOTE: Be sure the shelf is level.



To Remove and Replace Lower Shelf:

1. The very bottom glass shelf slides straight out.
2. Replace the shelf by aligning the edges with the guides and pushing it in toward the back of the refrigerator.



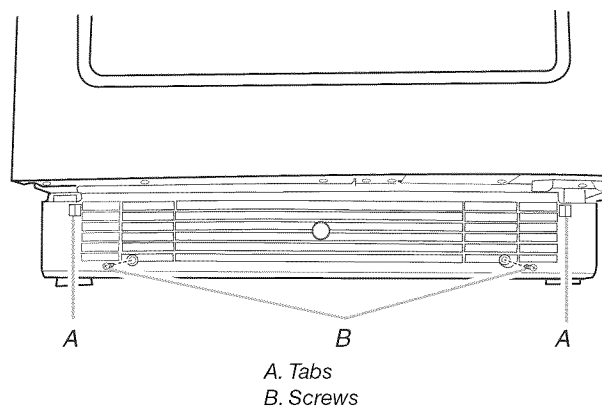
REFRIGERATOR CARE

Base Grille

You must remove the base grille to access the condenser coils for cleaning.

To Remove the Base Grille:

1. Open the refrigerator door.
2. Using a Phillips screwdriver, remove the two screws. Push both tabs in toward the center to release the base grille from the refrigerator.



3. Remove the base grille.

To Replace the Base Grille:

1. Open the refrigerator door.
2. Position the base grille so that both tabs align and the base grille snaps into place. Replace the two screws. Tighten the screws.

Cleaning

⚠ WARNING



Explosion Hazard

Use nonflammable cleaner.

Failure to do so can result in death, explosion, or fire.

Clean the refrigerator about once a month to avoid buildup of odors. Wipe up spills immediately.

To Clean Your Refrigerator:

1. Unplug refrigerator or disconnect power.
2. Remove all removable parts from inside, such as shelves, etc.
3. Hand wash, rinse, and dry removable parts and interior surfaces thoroughly. Use a clean sponge or soft cloth and a mild detergent in warm water.
 - Do not use abrasive or harsh cleaners such as window sprays, scouring cleansers, flammable fluids, cleaning waxes, concentrated detergents, bleaches or cleansers containing petroleum products on plastic parts, interior and door liners or gaskets. Do not use paper towels, scouring pads, or other harsh cleaning tools. These can scratch or damage materials.

TROUBLESHOOTING

Try the solutions suggested here first in order to avoid the cost of an unnecessary service call.

Your refrigerator will not operate

⚠ WARNING



Electrical Shock Hazard

Plug into a grounded 3 prong outlet.

Do not remove ground prong.

Do not use an adapter.

Do not use an extension cord.

Failure to follow these instructions can result in death, fire, or electrical shock.

- **Is the power supply cord unplugged?** Plug into a grounded 3 prong outlet.
 - **Has a household fuse blown, or has a circuit breaker tripped?** Replace the fuse or reset the circuit.
 - **Is the Refrigerator Control in Cool Off mode?** See “Using the Controls.”
-

The motor seems to run too much

- **Is the temperature outside hotter than normal?** Expect the motor to run longer under warm conditions. At normal outdoor temperatures, expect your motor to run about 40% to 80% of the time. Under warmer conditions, expect it to run even more of the time.
 - **Has a large amount of food just been added to the refrigerator?** Adding a large amount of food warms the refrigerator. It is normal for the motor to run longer in order to cool the refrigerator back down.
 - **Is the door opened often?** Expect the motor to run longer when this occurs. In order to conserve energy, try to get everything you need out of the refrigerator at once, keep food organized so it is easy to find, and close the door as soon as the food is removed.
 - **Is the control set correctly for the surrounding conditions?** See “Using the Controls.”
 - **Is the door closed completely?** Push the door firmly shut. If it will not shut all the way, see “The door will not close completely” later in this section.
 - **Are the condenser coils dirty?** This obstructs air transfer and makes the motor work harder. Clean the condenser coils. See “Cleaning.”
-

Temperature is too warm

- **Is the door opened often?** Be aware that the refrigerator will warm when this occurs. In order to keep the refrigerator cool, try to get everything you need out of the refrigerator at once, keep food organized so it is easy to find, and close the door as soon as the food is removed.

- To help remove odors, you can wash interior walls with a mixture of warm water and baking soda (2 tbs to 1 qt [26 g to 0.95 L] of water).

4. Wash stainless steel and painted metal exteriors with a clean sponge or soft cloth and a mild detergent in warm water. Do not use abrasive or harsh cleaners, or cleaners containing chlorine. These can scratch or damage materials. Dry thoroughly with a soft cloth.

NOTE: To keep your stainless steel refrigerator looking like new and to remove minor scuffs or marks, it is suggested that you use the manufacturer’s approved Stainless Steel Cleaner and Polish.

IMPORTANT: This cleaner is for stainless steel parts only!

Do not allow the Stainless Steel Cleaner and Polish to come into contact with any plastic parts such as the trim pieces, dispenser covers or door gaskets. If unintentional contact does occur, clean plastic part with a sponge and mild detergent in warm water. Dry thoroughly with a soft cloth.

5. Replace the removable parts.
 6. Clean the condenser coils regularly. They are located behind the base grille. Coils may need to be cleaned as often as every other month. This may help save energy.
 - Remove the base grille. See “Base Grille.”
 - Use a vacuum cleaner with an extended attachment to clean the condenser coils when they are dusty or dirty.
 - Replace the base grille.
 7. Plug in refrigerator or reconnect power.
-

Vacation and Moving Care

Vacations

If you choose to leave the refrigerator on while you’re away, use up any perishables and freeze other items.

If you choose to turn the refrigerator off before you leave, follow these steps.

1. Remove all food from the refrigerator.
 2. Unplug the refrigerator.
 3. Clean the refrigerator. See “Cleaning.”
 4. Tape a rubber or wood block to the top of the door to prop it open far enough for air to get in. This stops odor and mold from building up.
-

Moving

When you are moving your refrigerator to a new home, follow these steps to prepare it for the move.

1. Remove all food from the refrigerator.
2. Unplug the refrigerator.
3. Clean, wipe, and dry it thoroughly.
4. Take out all removable parts, wrap them well, and tape them together so they don’t shift and rattle during the move.
5. Tape the doors shut and tape the power cord to the back of the refrigerator.

When you get to your new home, put everything back and refer to the “Installation Instructions” section for preparation instructions.

- **Has a large amount of food just been added to the refrigerator?** Adding a large amount of food warms the refrigerator. It can take several hours for the refrigerator to return to the normal temperature.
- **Is the control set correctly for the surrounding conditions?** See “Using the Controls.”
- **Is the base grille blocked?** For best performance, do not install the refrigerator behind a cabinet door or block the base grille.

There is interior moisture buildup

- **Is the door opened often?** To avoid humidity buildup, try to get everything you need out of the refrigerator at once, keep food organized so it is easy to find, and close the door as soon as the food is removed. When the door is opened, humidity from the room air enters the refrigerator. The more often the door is opened, the faster humidity builds up, especially when the room itself is very humid.
- **Is it humid?** It is normal for moisture to build up inside the refrigerator when the air is humid.
- **Is the food packaged correctly?** Check that all food is securely wrapped. Wipe off damp food containers before placing in the refrigerator.
- **Is the control set correctly for the surrounding conditions?** See “Using the Controls.”

The door is difficult to open

⚠ WARNING



Explosion Hazard

Use nonflammable cleaner.


Failure to do so can result in death, explosion, or fire.

- **Is the gasket dirty or sticky?** Clean the gasket and the surface that it touches. Rub a thin coat of paraffin wax on the gasket following cleaning.

The door will not close completely

- **Are food packages blocking the door open?** Rearrange containers so that they fit more tightly and take up less space.
- **Are the shelves out of position?** Put the shelves back into their correct positions. See “Refrigerator Use” for more information.

⚠ WARNING



Explosion Hazard

Use nonflammable cleaner.

Failure to do so can result in death, explosion, or fire.

- **Is the gasket sticking?** Clean the gasket and the surface that it touches. Rub a thin coat of paraffin wax on the gasket following cleaning.

ASSISTANCE OR SERVICE

Before calling for assistance or service, please check “Troubleshooting.” It may save you the cost of a service call. If you still need help, follow the instructions below.

When calling, please know the purchase date and the complete model and serial number of your appliance. This information will help us to better respond to your request.

If you need replacement parts

If you need to order replacement parts, we recommend that you only use factory specified replacement parts. Factory specified replacement parts will fit right and work right because they are made with the same precision used to build every new Jenn-Air® appliance.

To locate factory specified replacement parts in your area, call us or your nearest designated service center.

In the U.S.A.

Call the Jenn-Air Customer eXperience Center toll free: **1-800-JENNAIR (1-800-536-6247).**

Our Consultants Provide Assistance With:

- Features and specifications on our full line of appliances.
- Installation information.
- Use and maintenance procedures.
- Accessory and repair parts sales.
- Specialized customer assistance (Spanish speaking, hearing impaired, limited vision, etc.).
- Referrals to local dealers, repair parts distributors, and service companies. Jenn-Air designated service technicians are trained to fulfill the product warranty and provide after-warranty service anywhere in the United States.

To locate the Jenn-Air designated service company in your area, you can also look in your telephone directory Yellow Pages.

For Further Assistance

If you need further assistance, you can write to Jenn-Air with any questions or concerns at:

Jenn-Air Brand Home Appliances
Customer eXperience Center
553 Benson Road
Benton Harbor, MI 49022-2692

Please include a daytime phone number in your correspondence.

In Canada

Call the Jenn-Air Canada Customer eXperience Centre toll free: **1-800-JENNAIR (1-800-536-6247).**

Our Consultants Provide Assistance With:

- Features and specifications on our full line of appliances.
- Use and maintenance procedures.
- Accessory and repair parts sales.
- Referrals to local dealers, repair parts distributors, and services companies. Jenn-Air Canada designated service technicians are trained to fulfill the product warranty and provide after-warranty service anywhere in Canada.

For Further Assistance

If you need further assistance, you can write to Jenn-Air Canada with any questions or concerns at:

Jenn-Air Canada
Customer eXperience Centre
200 – 6750 Century Ave.
Mississauga, Ontario L5N 0B7

Please include a daytime phone number in your correspondence.

JENN-AIR® REFRIGERATION LIMITED WARRANTY

ATTACH YOUR RECEIPT HERE. PROOF OF PURCHASE IS REQUIRED TO OBTAIN WARRANTY SERVICE.

Please have the following information available when you call the Customer eXperience Center:

- Name, address and telephone number
- Model number and serial number
- A clear, detailed description of the problem
- Proof of purchase including dealer or retailer name and address

IF YOU NEED SERVICE:

1. Before contacting us to arrange service, please determine whether your product requires repair. Some questions can be addressed without service. Please take a few minutes to review the Troubleshooting or Problem Solver section of the Use and Care Guide, scan the QR code on the right to access additional resources, or visit <https://jennair.custhelp.com>.
2. All warranty service is provided exclusively by our authorized Jenn-Air Service Providers. In the U.S. and Canada, direct all requests for warranty service to:

Jenn-Air Customer eXperience Center
1-800-JENNAIR (1-800-536-6247)



<https://jennair.custhelp.com>

If outside the 50 United States or Canada, contact your authorized Jenn-Air dealer to determine whether another warranty applies.

FIVE YEAR LIMITED WARRANTY

WHAT IS COVERED

TWO YEAR LIMITED WARRANTY

For two years from the date of purchase, when this major appliance is installed, operated and maintained according to instructions attached to or furnished with the product, Jenn-Air brand of Whirlpool Corporation or Whirlpool Canada LP (hereafter "Jenn-Air") will pay for Factory Specified Replacement Parts and repair labor to correct defects in materials or workmanship that existed when this major appliance was purchased, or at its sole discretion replace the product. In the event of product replacement, your appliance will be warranted for the remaining term of the original unit's warranty period.

THIRD THROUGH FIFTH YEAR LIMITED WARRANTY ON CAVITY LINER AND SEALED REFRIGERATION SYSTEM

In the third through fifth years from the date of purchase, when this major appliance is installed, operated and maintained according to the instructions attached to or furnished with the product, Jenn-Air brand will pay for factory specified replacement parts and repair labor for the following components to correct non-cosmetic defects in materials and workmanship in this part that prevent function of the refrigerator and that existed when this major appliance was purchased:

- Refrigerator/freezer cavity liner if the part cracks due to defective materials or workmanship.
- Sealed Refrigeration system (includes compressor, evaporator, condenser, dryer and connecting tubing).

YOUR SOLE AND EXCLUSIVE REMEDY UNDER THIS LIMITED WARRANTY SHALL BE PRODUCT REPAIR AS PROVIDED HEREIN. Service must be provided by a Jenn-Air designated service company. This limited warranty is valid only in the United States or Canada and applies only when the major appliance is used in the country in which it was purchased. This limited warranty is effective from the date of original consumer purchase. Proof of original purchase date is required to obtain service under this limited warranty.

WHAT IS NOT COVERED

1. Commercial, non-residential or multiple-family use, or use inconsistent with published user, operator or installation instructions.
2. In-home Instruction on how to use your product.
3. Service to correct improper product maintenance or installation, installation not in accordance with electrical or plumbing codes or correction of household electrical or plumbing (i.e. house wiring, fuses or water inlet hoses).
4. Consumable parts (i.e. light bulbs, batteries, air or water filters, preservation solutions, etc.).
5. Defects or damage caused by the use of non-genuine Jenn-Air parts or accessories.
6. Damage from accident, misuse, abuse, fire, floods, acts of God or use with products not approved by Jenn-Air.
7. Repairs to parts or systems to correct product damage or defects caused by unauthorized service, alteration or modification of the appliance.
8. Cosmetic damage including scratches, dents, chips, and other damage to appliance finishes unless such damage results from defects in materials and workmanship and is reported to Jenn-Air within 30 days.
9. Discoloration, rust or oxidation of surfaces resulting from caustic or corrosive environments including but not limited to high salt concentrations, high moisture or humidity or exposure to chemicals.
10. Food or medicine loss due to product failure.
11. Pick-up or delivery. This product is intended for in-home repair.
12. Travel or transportation expenses for service in remote locations where an authorized Jenn-Air servicer is not available.
13. Removal or reinstallation of inaccessible appliances or built-in fixtures (i.e. trim, decorative panels, flooring, cabinetry, islands, countertops, drywall, etc.) that interfere with servicing, removal or replacement of the product.
14. Service or parts for appliances with original model/serial numbers removed, altered or not easily determined.

The cost of repair or replacement under these excluded circumstances shall be borne by the customer.

DISCLAIMER OF IMPLIED WARRANTIES

IMPLIED WARRANTIES, INCLUDING ANY IMPLIED WARRANTY OF MERCHANTABILITY OR IMPLIED WARRANTY OF FITNESS FOR A PARTICULAR PURPOSE, ARE LIMITED TO ONE YEAR OR THE SHORTEST PERIOD ALLOWED BY LAW. Some states and provinces do not allow limitations on the duration of implied warranties of merchantability or fitness, so this limitation may not apply to you. This warranty gives you specific legal rights, and you also may have other rights that vary from state to state or province to province.

DISCLAIMER OF REPRESENTATIONS OUTSIDE OF WARRANTY

Jenn-Air makes no representations about the quality, durability, or need for service or repair of this major appliance other than the representations contained in this warranty. If you want a longer or more comprehensive warranty than the limited warranty that comes with this major appliance, you should ask Jenn-Air or your retailer about buying an extended warranty.

LIMITATION OF REMEDIES; EXCLUSION OF INCIDENTAL AND CONSEQUENTIAL DAMAGES

YOUR SOLE AND EXCLUSIVE REMEDY UNDER THIS LIMITED WARRANTY SHALL BE PRODUCT REPAIR AS PROVIDED HEREIN. JENN-AIR SHALL NOT BE LIABLE FOR INCIDENTAL OR CONSEQUENTIAL DAMAGES. Some states and provinces do not allow the exclusion or limitation of incidental or consequential damages, so these limitations and exclusions may not apply to you. This warranty gives you specific legal rights, and you also may have other rights that vary from state to state or province to province.

SEGURIDAD DEL REFRIGERADOR

Su seguridad y la seguridad de los demás es muy importante.

Hemos incluido muchos mensajes importantes de seguridad en este manual y en su electrodoméstico. Lea y obedezca siempre todos los mensajes de seguridad.



Este es el símbolo de advertencia de seguridad.

Este símbolo le llama la atención sobre peligros potenciales que pueden ocasionar la muerte o una lesión a usted y a los demás.

Todos los mensajes de seguridad irán a continuación del símbolo de advertencia de seguridad y de la palabra "PELIGRO" o "ADVERTENCIA". Estas palabras significan:

⚠ PELIGRO

Si no sigue las instrucciones de inmediato, usted puede morir o sufrir una lesión grave.

⚠ ADVERTENCIA

Si no sigue las instrucciones, usted puede morir o sufrir una lesión grave.

Todos los mensajes de seguridad le dirán el peligro potencial, le dirán cómo reducir las posibilidades de sufrir una lesión y lo que puede suceder si no se siguen las instrucciones.

INSTRUCCIONES IMPORTANTES DE SEGURIDAD

ADVERTENCIA: Para reducir el riesgo de incendio, choque eléctrico, o lesiones personales al usar su refrigerador siga estas precauciones básicas:

- No quite la terminal de conexión a tierra.
- No use un cable eléctrico de extensión.
- Desconecte el suministro de energía antes de darle servicio.
- Vuelva a colocar todos los componentes y paneles antes de hacerlo funcionar.
- Remueva las puertas de su refrigerador viejo.
- Use un limpiador no inflamable.
- No use un adaptador.
- Mantenga los materiales y vapores inflamables, tales como gasolina, alejados del refrigerador.
- Use dos o más personas para mover e instalar el refrigerador.
- Conecte a un contacto de pared de conexión a tierra de 3 terminales.

CONSERVAR ESTAS INSTRUCCIONES

Advertencias de la Proposición 65 del estado de California:

ADVERTENCIA: Este producto contiene una o más sustancias químicas identificadas por el estado de California como causantes de cáncer.

ADVERTENCIA: Este producto contiene una o más sustancias químicas identificadas por el estado de California como causantes de defectos congénitos o algún otro tipo de daños en la función reproductora.

Cómo deshacerse adecuadamente de su refrigerador viejo

⚠ ADVERTENCIA

Peligro de Asfixia

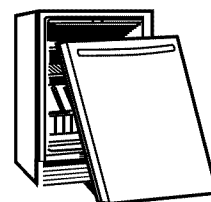
Remueva las puertas de su refrigerador viejo.

No seguir esta instrucción puede ocasionar la muerte o daño al cerebro.

Si Ud. está por deshacerse de su refrigerador viejo, por favor siga las instrucciones que se dan a continuación para prevenir accidentes.

Antes de descartar su viejo refrigerador o congelador:

- Saque la puerta.
- Deje los estantes en su lugar así los niños no pueden meterse adentro con facilidad.



IMPORTANTE: El atrapamiento y asfixia de niños no es un problema del pasado. Los refrigeradores tirados y abandonados son un peligro, aún si van a quedar ahí "por unos pocos días".

Información importante para saber acerca del desecho de refrigerantes:

Deshágase del refrigerador siguiendo los reglamentos federales y locales. Los refrigerantes deberán ser evacuados por un técnico certificado en refrigeración por EPA (Agencia de protección del medioambiente) según los procedimientos establecidos.

REQUISITOS DE INSTALACIÓN

Herramientas y piezas

Reúna las herramientas y piezas necesarias antes de comenzar la instalación.

Herramientas necesarias:

- Destornillador Phillips

Piezas necesarias:

- Marco recubierto a la medida - Vea "Marco recubierto - Vista posterior".
- Piezas de ferretería (opcionales)

Piezas suministradas:

- Tornillos M4 x 14 (8)

Requisitos de ubicación

⚠ ADVERTENCIA



Peligro de Explosión

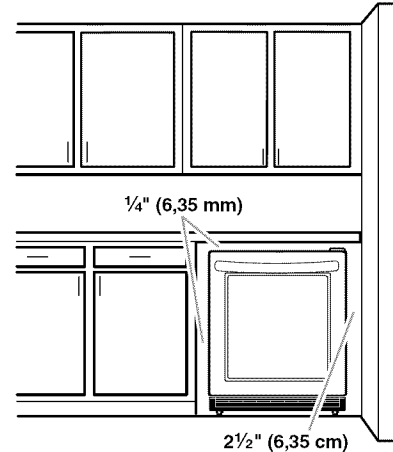
Mantenga los materiales y vapores inflamables, tales como gasolina, alejados del refrigerador.

No seguir esta instrucción puede ocasionar la muerte, explosión, o incendio.

NOTAS:

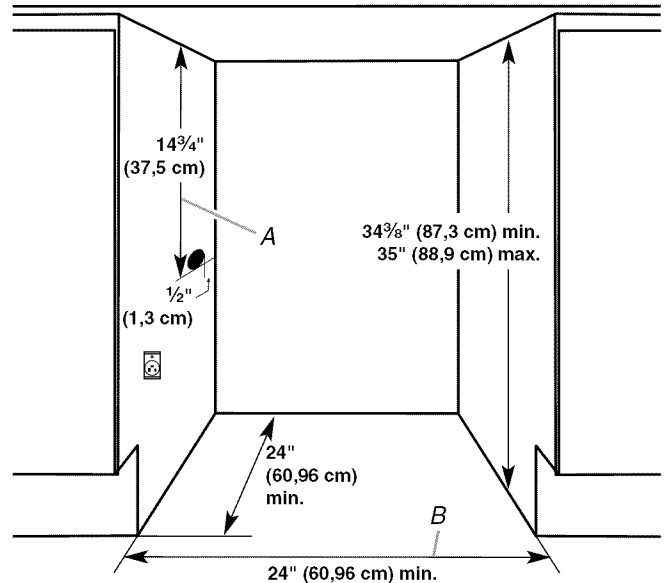
- Para que el refrigerador esté alineado con el frente de los gabinetes de la base, quite los zócalos o molduras de la parte posterior de la abertura. Vea "Medidas del producto" y más adelante en esta sección, "Medidas de la abertura".
- No se recomienda instalar el refrigerador cerca de un horno, radiador u otra fuente de calor.

- No instale en un lugar donde la temperatura puede ser inferior a 55 °F (13 °C). Para obtener un funcionamiento óptimo, no instale el refrigerador detrás de la puerta de un armario ni bloquee la rejilla de la base.



Medidas de la abertura

- Las medidas de altura se muestran con las patas niveladoras extendidas a la altura mínima.
NOTA: Cuando las patas niveladoras están totalmente extendidas, agregue 5/8" (15 mm) a las medidas de altura. Vea "Medidas del producto."
- Si el piso de la abertura no está nivelado con el piso de la cocina, ponga calzas en la abertura para que quede nivelado con el piso de la cocina.



Dimensiones fundamentales:

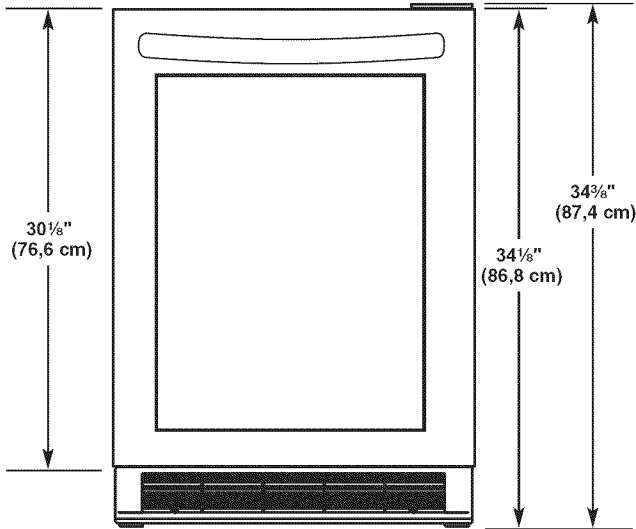
A. Abertura de uso general de 14 3/4" (37,5 cm)

B. Ancho mínimo de la abertura de 24" (60,96 cm)

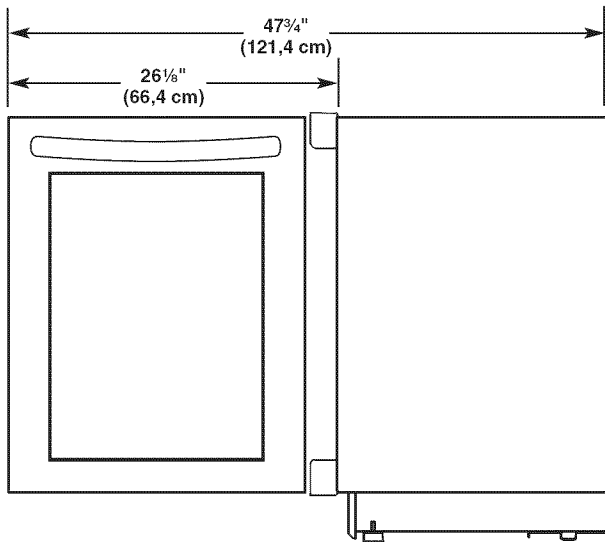
Medidas del producto

- Las medidas de altura se muestran SIN extender las patas niveladoras.
- El cable de suministro de energía es de 60" (152,4 cm) de largo.

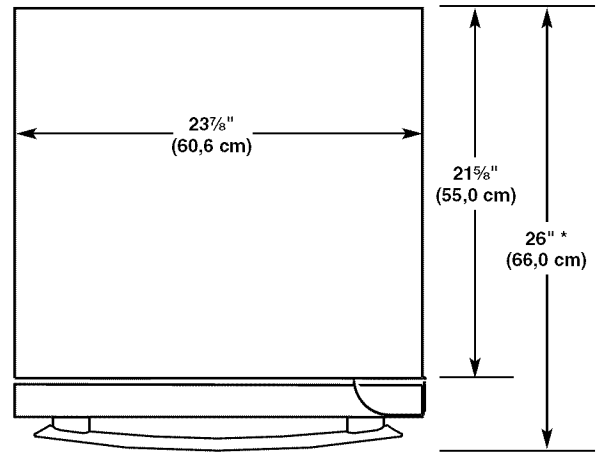
Vista frontal



Vista lateral (puerta abierta a 90°)



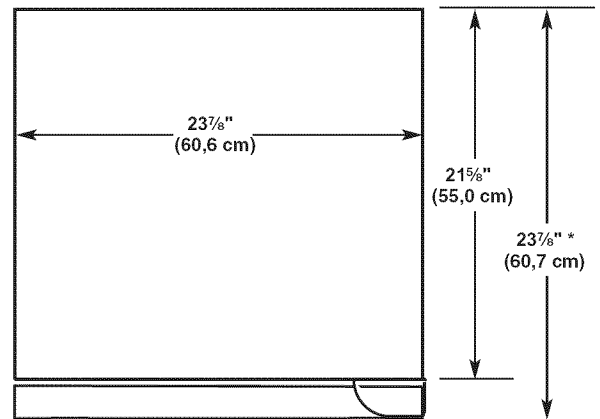
Modelos sin recubrimiento



* La medida incluye manija de estilo de la serie Euro

Vista superior

Modelos con recubrimiento



* La medida incluye un marco recubierto a la medida de $\frac{3}{4}"$ (1,91 cm).

Marco recubierto a la medida

Si va a instalar un marco recubierto a la medida, deberá hacerlo usted mismo o consultar con un carpintero o fabricante de gabinetes calificado. Para obtener información acerca de las especificaciones del marco, vea los gráficos dimensionales.

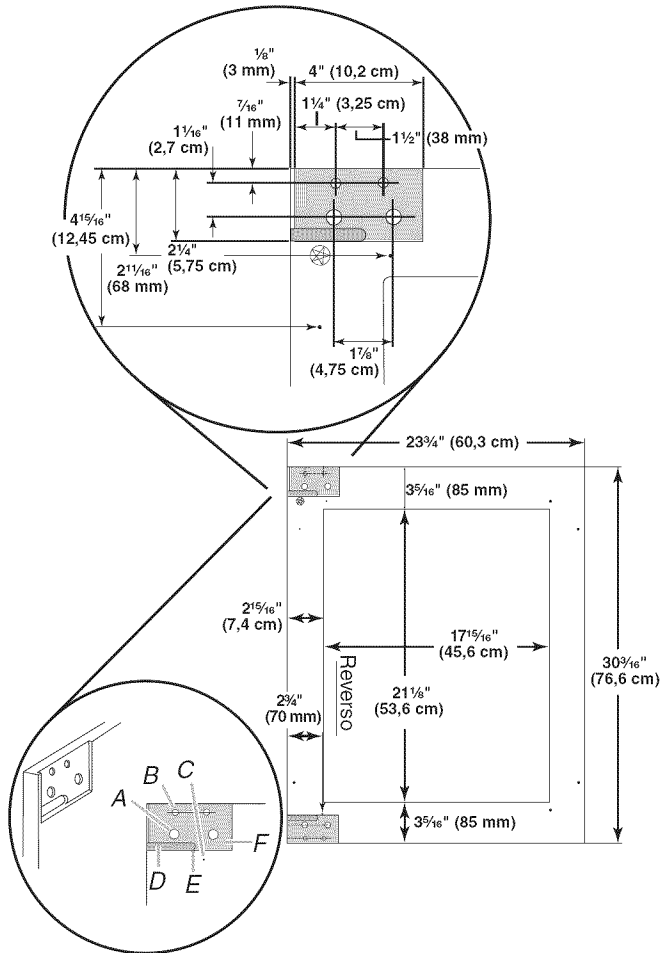
IMPORTANTE:

- El grosor del marco recubierto debe ser de $\frac{3}{4}"$ (1,91 cm).
- El marco recubierto no debe pesar más de 10 lbs (4,54 kg).
- Los marcos recubiertos que pesan más de lo recomendado pueden dañar su electrodoméstico.

Marco recubierto - Vista posterior

Cree su marco recubierto a la medida utilizando las medidas que se muestran.

IMPORTANTE: El siguiente gráfico muestra un marco a la medida para una puerta con las bisagras instaladas del lado derecho. Si su refrigerador tiene las bisagras instaladas del lado izquierdo, rote el marco a la medida 180° para que las marcas de las bisagras queden a la izquierda.



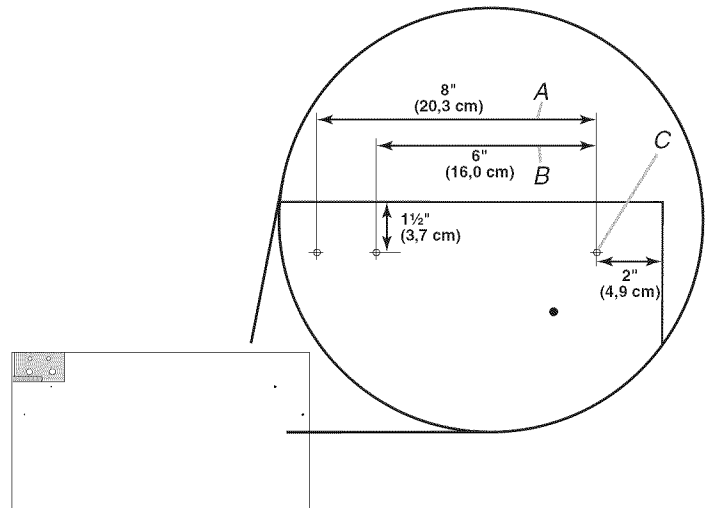
- Taladre los orificios con una broca de $\frac{15}{32}$ " (12 mm) hasta una profundidad de aproximadamente $\frac{1}{2}$ " (13 mm) antes de contornearlos (4 orificios en total).
- Taladre los orificios con una broca de $\frac{5}{16}$ " (8 mm) hasta una profundidad de aproximadamente $\frac{1}{2}$ " (13 mm) antes de contornearlos (4 orificios en total).
- Taladre los orificios con una broca de $\frac{7}{64}$ " (2,8 mm) hasta una profundidad de aproximadamente $\frac{1}{2}$ " (13 mm) antes de contornearlos (8 orificios en total).
- Contornee las áreas sombreadas para las bisagras hasta una profundidad de $\frac{19}{32}$ " (15 mm).
- Contornee las áreas sombreadas para las bisagras hasta una profundidad de $\frac{1}{4}$ " (4 mm).
- Contornee un ángulo con un radio de $\frac{1}{8}$ " (3 mm) con una broca de $\frac{1}{4}$ " (5 radios en total).

Manija a la medida (opcional)

Las manijas a la medida se fijan comúnmente al panel de la puerta recubierta a la medida solamente. Hay dos ubicaciones de la manija a la medida provistas en el refrigerador en las cuales se puede fijar la manija en el panel de la puerta recubierta a la medida y al interior de la puerta del refrigerador para una mejor estabilidad. Las dos ubicaciones provistas permiten la colocación de una manija/agarradera para armarios de cocina común de 8" (203 mm) y 6 1/4" (160 mm) de tamaño.

- Siga las instrucciones para obtener un panel recubierto a la medida.
- Vea los siguientes gráficos dimensionales para obtener especificaciones de manijas a la medida.
- Taladre los orificios de la manija a la medida para que coincidan con el tamaño de la manija a la medida: 8" (203 mm) o 6 1/4" (160 mm)

- Instale la manija a la medida antes de instalar el panel recubierto en la puerta del refrigerador.



- Orificios de 8" (203 mm) de la manija
- Orificios de 6" (160 mm) de la manija
- Taladre orificios con una broca de $\frac{3}{16}$ " (4,5 mm) (2 orificios)

NOTA: Las manijas a la medida ubicadas en distintos lugares (ver gráfico anterior) o cuyos tamaños no son los recomendados (8" [203 mm] o 6 1/4" [160 mm]) deben instalarse en el panel de la puerta con orificios avellanados y antes de que el panel de la puerta recubierta a la medida se instale en la puerta del refrigerador.

Requisitos eléctricos

⚠ ADVERTENCIA



Peligro de Choque Eléctrico

Conecte a un contacto de pared de conexión a tierra de 3 terminales.

No quite la terminal de conexión a tierra.

No use un adaptador.

No use un cable eléctrico de extensión.

No seguir estas instrucciones puede ocasionar la muerte, incendio o choque eléctrico.

Antes de mover el refrigerador a su ubicación final, es importante asegurarse de que tiene la conexión eléctrica adecuada.

Método de conexión a tierra recomendado

Se requiere una fuente de energía eléctrica de 115 Voltios, 60 Hz., CA solamente y con fusibles de 15 ó 20 amperios, debidamente conectada a tierra. Se recomienda que use un circuito separado sólo para su refrigerador. Use un tomacorriente que no se pueda apagar con un interruptor. No use un cable eléctrico de extensión.

NOTA: Antes de realizar cualquier tipo de instalación, limpieza o de quitar un foco de luz, desenchufe el refrigerador o desconecte la fuente de energía.

INSTRUCCIONES DE INSTALACIÓN

Desempaque del refrigerador

⚠ ADVERTENCIA

Peligro de Peso Excesivo

Use dos o más personas para mover e instalar el refrigerador.

No seguir esta instrucción puede ocasionar una lesión en la espalda u otro tipo de lesiones.

Cómo quitar los materiales de empaque

- Quite los residuos de cinta y goma de las superficies antes de encender el refrigerador. Frote un poco de detergente líquido para vajillas sobre el adhesivo con los dedos. Limpie con agua tibia y seque.
- No use instrumentos filosos, alcohol para fricciones, líquidos inflamables o productos de limpieza abrasivos para eliminar los restos de cinta o goma. Estos productos pueden dañar la superficie de su refrigerador. Para más información, vea “Seguridad del refrigerador”.
- Deshágase de todos los materiales de embalaje o recíclelos.

Cómo mover su refrigerador:

Su refrigerador es pesado. Cuando mueva el refrigerador para limpiarlo o para darle servicio, cerciórese de cubrir el piso con cartón o madera para evitar daños en el mismo. Al mover el refrigerador, siempre tire directamente hacia afuera. No menee el refrigerador de lado a lado ni lo haga “caminar” cuando lo trate de mover ya que podría dañar el piso.

Limpieza antes del uso

Una vez que usted haya quitado todos los materiales de empaque, limpie el interior de su refrigerador antes de usarlo. Vea las instrucciones de limpieza en “Cuidado de su refrigerador”.

Información importante para saber acerca de los estantes y tapas de vidrio:

No limpie los estantes y tapas de vidrio con agua caliente mientras están fríos. Los estantes y tapas pueden romperse si se exponen a cambios bruscos de temperatura o impacto, como sería un golpe brusco. El vidrio templado se ha diseñado para hacerse añicos. Esto es normal. Los estantes y tapas de vidrio son muy pesados. Use ambas manos al sacarlos para evitar que se caigan.

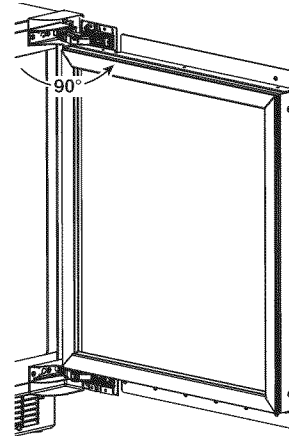
Cómo instalar el panel recubierto a la medida

IMPORTANTE:

- Cree un panel recubierto a la medida de acuerdo con las especificaciones en la sección “Panel recubierto a la medida”.
- Jenn-Air no es responsable de la remoción o adición de molduras o paneles decorativos que pudieran impedir el acceso al electrodoméstico para darle servicio.

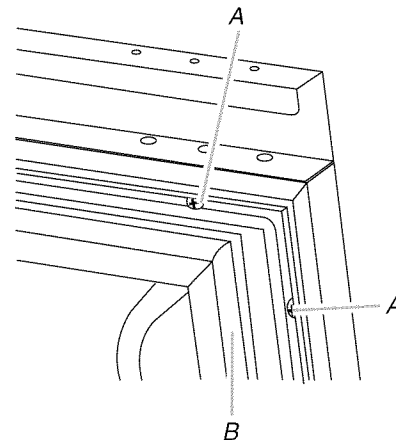
Cómo instalar el panel a la medida

1. Abra la puerta por completo a 90°.

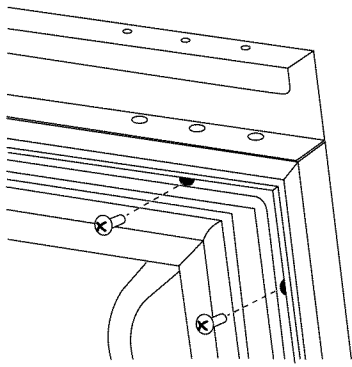


2. Quite la junta de las esquinas de la puerta, jalando suavemente hasta que se puedan ver los dos tornillos en cada esquina de la puerta.

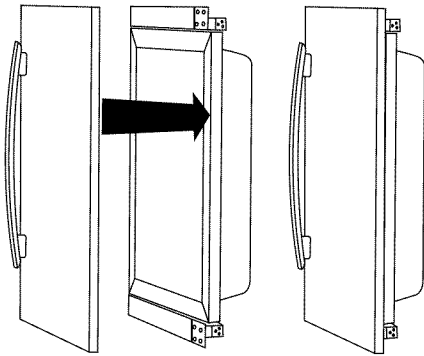
NOTA: La junta no debe quitarse de la puerta, solo de las esquinas.



A. Tornillos
B. Junta



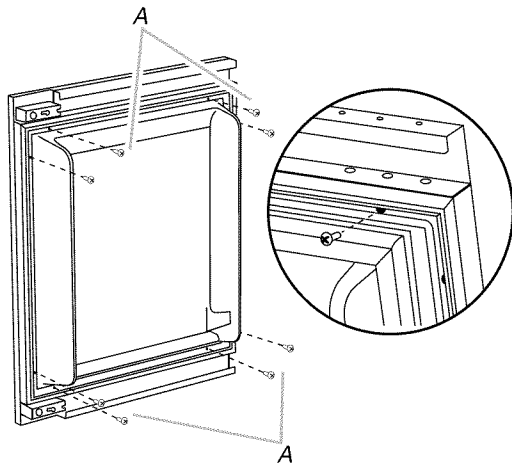
3. Quite los cuatro pares de tornillos de la puerta.
4. Con la ayuda de dos personas, sostenga el panel recubierto a la medida de modo que los orificios de la parte posterior del panel queden alineados con los orificios de la puerta.



NOTA: Las manijas a la medida ubicadas en distintos lugares (ver la sección “Manija a la medida [opcional]”) o cuyos tamaños no son los recomendados (8” [203 mm] o 6¼” [160 mm]) deben instalarse en el panel de la puerta con orificios avellanados y antes de que el panel de la puerta recubierto a la medida se instale en la puerta del refrigerador.

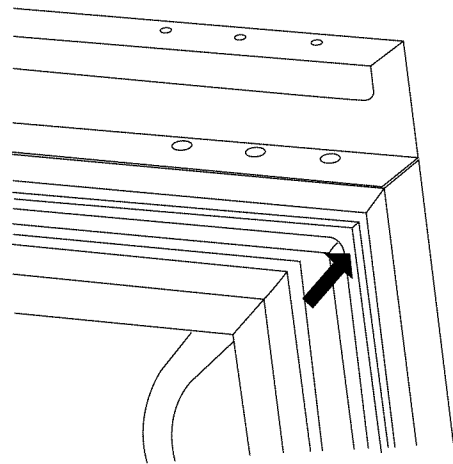
5. Luego, sujete el panel a la medida a la puerta colocando dos tornillos para madera (provistos en el juego de instalación) en cada esquina.

NOTA: No use los mismo tornillos que se quitaron anteriormente.

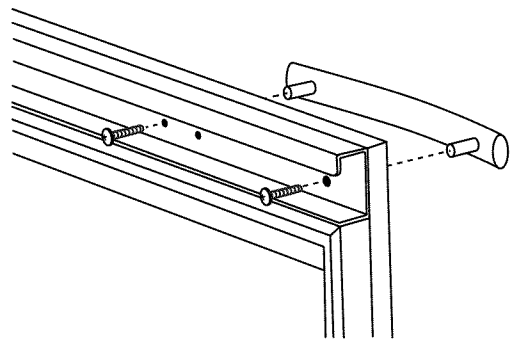


A. Tornillos para madera de M4 x 14

6. Presione la junta con firmeza hacia atrás para colocarla en su posición original.



7. Para manijas a la medida de 8” (203 mm) o 6¼” (160 mm), instale la manija a la medida desde el interior/parte posterior de la puerta del refrigerador usando los tornillos provistos con la manija.



Cierre de la puerta

Cierre de la puerta

Su refrigerador tiene cuatro patas niveladoras. Si el refrigerador parece inestable o usted quiere que las puertas se cierren con mayor facilidad, ajuste la inclinación del refrigerador siguiendo las instrucciones a continuación.

⚠ ADVERTENCIA



Peligro de Choque Eléctrico

Conecte a un contacto de pared de conexión a tierra de 3 terminales.

No quite la terminal de conexión a tierra.

No use un adaptador.

No use un cable eléctrico de extensión.

No seguir estas instrucciones puede ocasionar la muerte, incendio o choque eléctrico.

1. Conecte a un contacto de pared de conexión a tierra de 3 terminales.

⚠️ ADVERTENCIA

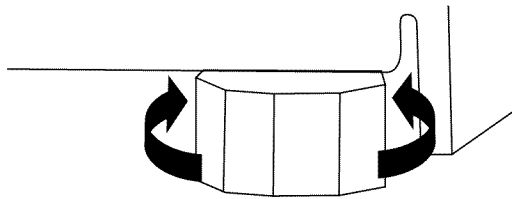
Peligro de Peso Excesivo

Use dos o más personas para mover e instalar el refrigerador.

No seguir esta instrucción puede ocasionar una lesión en la espalda u otro tipo de lesiones.

2. Mueva el refrigerador hacia su posición final.
3. Gire las patas niveladoras hacia la derecha para bajar el refrigerador o gírelas hacia la izquierda para levantarla. Puede precisar darles varias vueltas a las patas niveladoras para ajustar la inclinación del refrigerador.

NOTA: Para quitar un poco de peso de las patas niveladoras, haga que alguien empuje la parte superior del refrigerador. Esto facilita el ajuste de las mismas.



4. Abra la puerta y verifique si se cierra con la facilidad que usted desea. Si no es así, gire ambos tornillos niveladores delanteros hacia la izquierda para inclinar levemente el refrigerador más hacia la parte posterior. Puede tomar varias vueltas más, y usted deberá girar ambas patas niveladoras la misma cantidad de veces.

USO DEL REFRIGERADOR

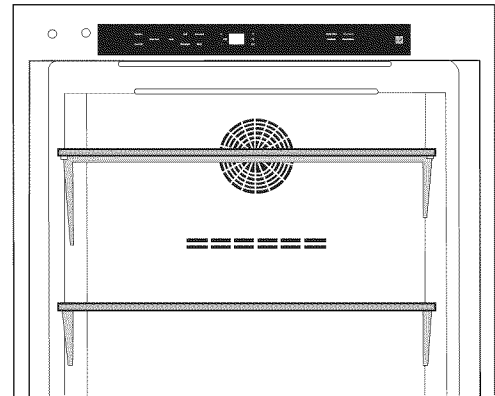
Sonidos normales

Su nuevo refrigerador puede hacer ruidos que su viejo refrigerador no hacía. Como estos sonidos son nuevos para Ud., puede ser que se preocupe. La mayoría de los sonidos nuevos son normales. Las superficies duras tales como el piso y las estructuras circundantes pueden hacer que los sonidos parezcan más fuertes. A continuación se describen los tipos de sonidos y qué puede causarlos.

- Su refrigerador está diseñado para funcionar con más eficiencia para conservar sus alimentos a la temperatura deseada y para reducir al mínimo el uso de energía. El compresor y los ventiladores de alta eficiencia pueden causar que su nuevo refrigerador funcione por períodos de tiempo más largos que su refrigerador viejo. También puede escuchar un sonido pulsante o agudo del compresor o los ventiladores que se ajustan para un funcionamiento óptimo.
- Las vibraciones pueden producirse por el flujo de líquido refrigerante o artículos guardados dentro del refrigerador.
- Al final de cada ciclo, Ud. puede escuchar un gorgoteo debido al flujo de líquido refrigerante en su refrigerador.
- Ud. puede escuchar agua corriendo hacia la bandeja recolectora cuando el refrigerador se está descongelando.
- Es posible que escuche sonidos de chasquido cuando el refrigerador comienza o deja de funcionar.

Uso de los controles

El panel de control está ubicado en la parte superior del compartimiento y la parte frontal. El control del refrigerador no tiene piezas mecánicas o botones. Cuando se desenchufa, el panel de control no muestra nada y puede resultar difícil de localizar.



Control On/Off (Encendido/Apagado)

- Cuando el refrigerador se enchufa por primera vez, el control estará en modo Cool Off (Enfriamiento apagado). Cool On (Enfriamiento encendido) y Cool Off (Enfriamiento apagado) serán las únicas opciones que se mostrarán en la pantalla.



- Presione COOL ON (Enfriamiento encendido) por 3 segundos para encender el refrigerador. Se mostrarán todos los menús y los ajustes de temperatura recomendados.



Para ver las temperaturas en grados Celsius

- Presione la tecla táctil F/C para alternar entre la vista de la temperatura en grados Fahrenheit y grados Celsius. El indicador correspondiente se iluminará.



A. Tecla táctil F/C

Cómo regular los controles

Cuando el refrigerador se enciende por primera vez, la temperatura recomendada está prefijada de fábrica.

- Para ajustar las temperaturas de punto de ajuste, presione “+” (más) o “-” (menos) hasta alcanzar el ajuste de temperatura deseado.



NOTA: La temperatura recomendada prefijada para el refrigerador es de 37 °F (2 °C). El rango de punto de ajuste para este modelo es de 32 °F a 42 °F (0 °C a 5 °C).

El control está fijado correctamente cuando las bebidas y la leche están tan frías como a usted le gusta.

NOTA: Espere al menos 24 horas entre los ajustes para que el refrigerador se aclimate.

Cómo usar los valores prefijados

Para su comodidad, el refrigerador también posee controles prefijados a temperaturas de almacenamiento recomendadas para productos específicos.



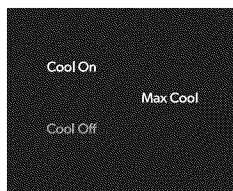
Al presionar cualquier opción prefijada, la temperatura se fijará en la recomendada para cada categoría:

- Deli (Carnes frías): 39 °F (3 °C)
- Assorted (Surtido): 37 °F (2 °C)
- Beverage (Bebidas): 34 °F (1 °C)
- Meat (Carnes): 32 °F (0 °C)

Max Cool (Frío máximo)

La función de Max Cool (Frío máximo) ayuda en los períodos de uso intenso, cargas completas de comestibles o temperaturas ambientales temporalmente elevadas.

Max Cool (Frío máximo) reajustará la temperatura para el refrigerador hacia el ajuste más frío (32 °F [0 °C]) durante 24 horas.



NOTA: La pantalla de temperatura permanecerá en el/los ajuste(s) más frío(s) y la luz indicadora permanecerá encendida durante 24 horas, salvo que suceda alguna de las siguientes circunstancias:

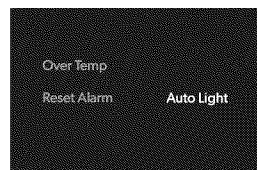
- Se ajustó la temperatura
- Se seleccionó el modo Cool Off (Enfriamiento apagado)
- Se seleccionó el modo Sabbath (Día de descanso)

Después de 24 horas, la temperatura volverá automáticamente al punto de ajuste de temperatura anterior y la luz indicadora se apagará.

Luz automática

El refrigerador tiene un sensor que encenderá la luz de la pantalla interior de forma automática cuando una persona pase cerca. Cuando no se detecta más movimiento, la luz de la pantalla interior se apagará después de 2 minutos.

- Presione la opción de Auto Light (Luz automática) para activar esta función.



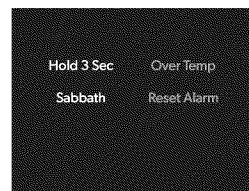
- Cuando Auto Light (Luz automática) no se activa, la luz de la pantalla interior se encenderá solamente cuando la puerta esté abierta.

NOTAS:

- Si se deja la luz encendida por mucho tiempo, aumentará ligeramente la temperatura del refrigerador.
- La luz es LED y no necesita reemplazarse. Sin embargo, si el LED no se enciende cuando la puerta está abierta, llame al Servicio técnico para que revisen el problema y lo reemplace de ser necesario. Vea “Ayuda o servicio técnico” para obtener la información de contacto

Modo de día de descanso

El modo Sabbath (Día de descanso) se ha diseñado para los viajeros o para aquellas personas que debido a sus creencias religiosas necesitan que se apaguen las luces. Al seleccionar esta función, los puntos de ajuste de temperatura permanecerán sin cambios, pero las luces del panel de control, las luces interiores y el sonido de control se apagarán. Para un funcionamiento más eficaz, se recomienda que salga del modo Sabbath (Día de descanso) cuando ya no lo necesite.



- Mantenga presionado SABBATH (Día de descanso) por 3 segundos para encender la función. Luego de la cuenta regresiva de 3 segundos, la función se activará y el resto de las pantallas se apagará.
- Mantenga presionado SABBATH (Día de descanso) por 3 segundos para apagar la función y encender la pantalla.

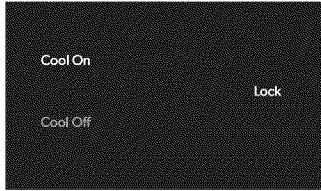
Puerta abierta

Si se abre la puerta por más de 5 minutos, sonará una alarma cada 2 minutos hasta que la puerta se cierre o se presione cualquiera de los controles.

Modo de bloqueo

El modo Lock (Bloqueo) desactiva todas las opciones para evitar cualquier cambio a los ajustes de temperatura deseados.

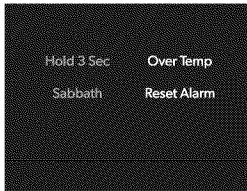
- Para activar, mantenga presionado LOCK (Bloqueo) por 3 segundos. Después de la cuenta regresiva de 3 segundos, todas las otras pantallas se apagarán y no estarán disponibles a excepción de Cool On (Enfriamiento encendido), Cool Off (Enfriamiento apagado) y Lock (Bloqueo).



Alarma de temperatura excesiva

NOTA: Si se activa la alarma de temperatura excesiva, es posible que se echen a perder los alimentos. Vea "Cortes de corriente". Reduzca al mínimo las veces que abre la puerta hasta que las temperaturas vuelvan a la normalidad.

La función de Temperatura excesiva está diseñada para hacerle saber cuando el refrigerador excede los 45 °F (7 °C) por más de 4 horas. La alarma sonora se apagará automáticamente cuando la temperatura vuelva a la normalidad, pero la luz indicadora continuará parpadeando hasta que se realice un restablecimiento de alarma, para avisarle que ha ocurrido una condición de temperatura excesiva.



Si luego de restablecer Over Temp (Temperatura excesiva), la condición que causa el exceso de temperatura persiste, la luz indicadora continuará reactivándose cada 4 horas, hasta que la temperatura del refrigerador esté por debajo de los 45 °F (7 °C).

NOTA: Estas funciones no aparecerán en el control, salvo que el refrigerador tenga una temperatura excesiva y la alarma deba restablecerse.

Modo de sala de exposición

Este modo se usa solamente cuando el refrigerador está de muestra en una tienda minorista. Si usted enciende el modo Showroom (Sala de exposición) por accidente, Cool Off (Enfriamiento apagado) se encenderá en la pantalla y los controles parecerán estar funcionando. Salga del modo Showroom (Sala de exposición) manteniendo presionado COOL ON (Enfriamiento encendido) y SABBATH (Día de descanso) al mismo tiempo durante 3 segundos.

CARACTERÍSTICAS DEL REFRIGERADOR

Información importante para saber acerca de los estantes y tapas de vidrio:

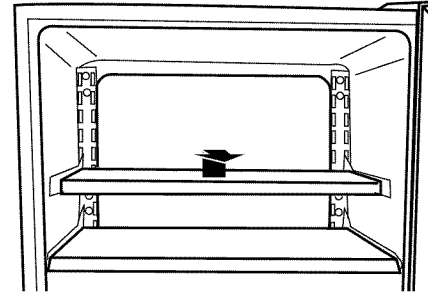
No limpie los estantes y tapas de vidrio con agua caliente mientras están fríos. Los estantes y tapas pueden romperse si se exponen a cambios bruscos de temperatura o impacto, como sería un golpe brusco. El vidrio templado se ha diseñado para hacerse añicos. Esto es normal. Los estantes y tapas de vidrio son muy pesados. Use ambas manos al sacarlos para evitar que se caigan.

Estantes del refrigerador

Para quitar o ajustar los estantes superiores:

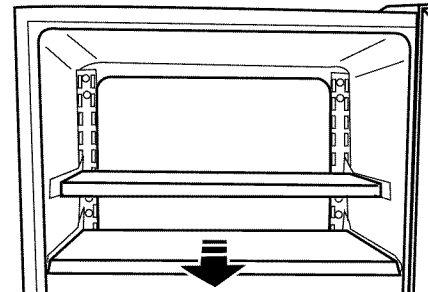
1. Quite el estante levantándolo y jalándolo hacia fuera de los soportes del mismo.
2. Quite los dos soportes del estante y vuelva a colocarlos en la ubicación deseada.
3. Vuelva a colocar el estante insertándolo sobre los soportes del mismo.

NOTA: Cerciórese de que el estante esté nivelado.



Para quitar y volver a colocar el estante inferior:

1. El estante de vidrio de la base se desliza directamente hacia afuera.
2. Vuelva a colocar el estante alineando los extremos con las guías y empujando hacia la parte posterior del refrigerador.



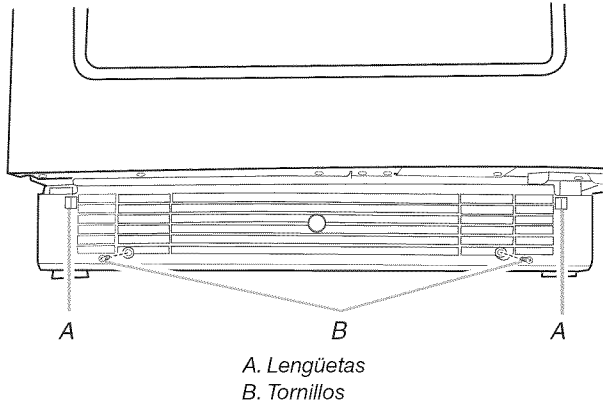
CUIDADO DEL REFRIGERADOR

Rejilla de la base

Debe quitar la rejilla de la base para acceder a los serpentines del condensador a fin de limpiarlo.

Para quitar la rejilla de la base:

1. Abra la puerta de la refrigerador.
2. Quite los dos tornillos con un destornillador Phillips. Empuje ambas lengüetas hacia el centro para liberar la rejilla de la base del refrigerador.



3. Quite la rejilla de la base.

Para volver a colocar la rejilla de la base:

1. Abra la puerta de la refrigerador.
2. Coloque la rejilla de la base de manera que ambas lengüetas estén alineadas y la rejilla de la base encaje en su lugar. Vuelva a colocar los dos tornillos. Apriete los tornillos.

Limpieza

⚠ ADVERTENCIA



Peligro de Explosión

Use un limpiador no inflamable.

No seguir esta instrucción puede ocasionar la muerte, explosión o incendio.

Limpie el refrigerador aproximadamente una vez al mes para evitar la acumulación de olores. Limpie los derrames de inmediato.

Cómo limpiar el refrigerador:

1. Desenchufe el refrigerador o desconecte el suministro de energía.
2. Quite todas las piezas desmontables del interior del refrigerador, como estantes, etc.
3. Lave a mano, enjuague y seque todas las piezas desmontables y las superficies interiores meticulosamente. Use una esponja limpia o un paño suave y un detergente suave en agua tibia.
 - No use productos de limpieza abrasivos o ásperos, como aerosoles para ventanas, productos de limpieza para pulir, líquidos inflamables, ceras para limpieza, detergentes concentrados, blanqueadores o productos de limpieza que contengan productos derivados de petróleo en las partes de plástico, revestimientos interiores o de la puerta o juntas.

No use toallas de papel, estropajos para fregar u otros utensilios de limpieza ásperos. Estos pueden rayar o dañar los materiales.

- Para ayudar a eliminar olores, puede lavar las paredes interiores con una mezcla de agua tibia y bicarbonato de sodio (2 cucharadas en un cuarto de galón [26 g en 0,95 L] de agua).

4. Lave las superficies externas metálicas pintadas y de acero inoxidable con una esponja limpia o un paño suave y detergente suave con agua tibia. No use productos de limpieza abrasivos o ásperos o que contengan cloro. Estos pueden rayar o dañar los materiales. Seque meticulosamente con un paño suave.

NOTA: Para mantener como nuevo su refrigerador de acero inoxidable y para quitar marcas o rayaduras pequeñas, se sugiere usar el limpiador de acero inoxidable aprobado por el fabricante.

IMPORTANTE: ¡Este limpiador es solamente para piezas de acero inoxidable!

No permita que el limpiador de acero inoxidable entre en contacto con ninguna parte de plástico tales como las piezas del marco, las tapas del despachador o las juntas de la puerta. Si se produce contacto no intencional, limpie la pieza de plástico con una esponja y detergente suave en agua tibia. Seque meticulosamente con un paño suave.

5. Vuelva a colocar las piezas desmontables.
6. Limpie los serpentines del condensador regularmente. Están ubicados detrás de la rejilla de la base. Quizás necesite limpiar los serpentines cada dos meses. Esto puede ayudar a ahorrar energía.
 - Quite la rejilla de la base. Vea “Rejilla de la base”.
 - Use una aspiradora con extensión para limpiar los serpentines del condensador siempre que estén sucios o con polvo.
 - Vuelva a colocar la rejilla de la base.
7. Enchufe el refrigerador o reconecte el suministro de energía.

Cuidado durante las vacaciones y mudanzas

Vacaciones

Si usted decide dejar el refrigerador funcionando mientras está ausente, use todo lo que se puede echar a perder y congele los otros artículos.

Si usted decide apagar el refrigerador antes de irse, siga estos pasos.

1. Saque todos los alimentos del refrigerador.
2. Desenchufe el refrigerador.
3. Limpie el refrigerador. Vea “Limpieza”.
4. Fije un bloque de goma o de madera con cinta adhesiva a la parte superior de la puerta para que quede abierta y el aire circule. Esto evita que se formen olores y que crezcan hongos.

Mudanza

Si Ud. muda su refrigerador a una casa nueva, siga los pasos a continuación para prepararse para la mudanza.

1. Saque todos los alimentos del refrigerador.
2. Desenchufe el refrigerador.
3. Límpiolo, pásele un paño y séquelo detalladamente.
4. Saque todas las partes desmontables, envuélvalas bien y asegúrelas con cinta adhesiva para que no se sacudan durante la mudanza.
5. Sostenga las puertas cerradas y el cable pegado a la carcasa del refrigerador con cinta adhesiva.

Cuando llegue a la casa nueva, ponga todo de nuevo y lea la sección “Instrucciones de instalación” para obtener instrucciones de preparación.

SOLUCIÓN DE PROBLEMAS

Primero pruebe las soluciones sugeridas aquí para evitar el costo innecesario del servicio técnico.

El refrigerador no funciona

⚠ ADVERTENCIA



Peligro de Choque Eléctrico

Conecte a un contacto de pared de conexión a tierra de 3 terminales.

No quite la terminal de conexión a tierra.

No use un adaptador.

No use un cable eléctrico de extensión.

No seguir estas instrucciones puede ocasionar la muerte, incendio o choque eléctrico.

- **¿Está desenchufado el cable de suministro eléctrico?** Conecte a un tomacorriente de 3 terminales con conexión a tierra.
- **¿Hay un fusible de la casa fundido o se disparó el cortacircuitos?** Reemplace el fusible o reposicione el cortacircuitos.
- **¿Se ha colocado el control del refrigerador en el modo Cool Off (Enfriamiento apagado)?** Vea "Uso del control".

El motor parece funcionar en exceso

- **¿Está la temperatura exterior más alta de lo normal?** En condiciones de calor, el motor funciona por periodos más largos. Cuando la temperatura es normal, el motor funciona entre 40 % y 80 % del tiempo. En temperaturas más altas, puede funcionar aún por más tiempo.
- **¿Se acaba de agregar una gran cantidad de alimentos en el refrigerador?** Agregar grandes cantidades de alimentos hace que se caliente el refrigerador. Es normal que el motor funcione por periodos más prolongados para volver a enfriar el refrigerador.
- **¿Se abre la puerta con frecuencia?** Cuando esto ocurre, el motor puede funcionar por periodos más largos. Para ahorrar energía, trate de sacar todo lo que necesite del refrigerador de una sola vez, mantenga los alimentos organizados para encontrarlos con facilidad y cierre la puerta una vez que los haya sacado.
- **¿Se ha ajustado el control correctamente de acuerdo con las condiciones circundantes?** Vea "Uso del control".
- **¿Está completamente cerrada la puerta?** Cierre la puerta con firmeza. Si no se cierra completamente, vea "La puerta no cierra completamente" más adelante en esta sección.
- **¿Están sucios los serpentines del condensador?** Esto obstruye la transferencia de aire y hace que el motor trabaje más. Limpie los serpentines del condensador. Vea "Limpieza".

La temperatura está demasiado elevada

- **¿Se abre la puerta con frecuencia?** Tenga en cuenta que el refrigerador se calienta cuando esto ocurre. Para mantener el refrigerador frío, trate de sacar todo lo que necesite del refrigerador de una sola vez. Mantenga los alimentos organizados para encontrarlos con facilidad y cierre la puerta una vez que los haya sacado.
- **¿Se acaba de agregar una gran cantidad de alimentos en el refrigerador?** Agregar grandes cantidades de alimentos hace que se caliente el refrigerador. Pueden transcurrir varias horas hasta que el refrigerador recupere su temperatura normal.
- **¿Se ha ajustado el control correctamente de acuerdo con las condiciones circundantes?** Vea "Uso del control".
- **¿Está bloqueada la rejilla de la base?** Para obtener un funcionamiento óptimo, no instale la refrigerador detrás de la puerta de un armario ni bloquee el rejilla de la base.

Hay acumulación de humedad en el interior

- **¿Se abre la puerta con frecuencia?** Para evitar la acumulación de humedad, trate de sacar todo lo que necesite de la refrigerador de una sola vez, mantenga los alimentos organizados para encontrarlos con facilidad y cierre la puerta una vez que los haya sacado. Cuando la puerta está abierta, la humedad del habitación ingresa al refrigerador. La humedad se acumula más rápido cuanto más seguido se abre la puerta, especialmente cuando la habitación está muy húmeda.
- **¿Hay humedad?** Es normal que se acumule humedad dentro del refrigerador cuando el aire está húmedo.
- **¿Se han envuelto correctamente los alimentos?** Verifique que todos los alimentos estén bien envueltos. Seque los recipientes húmedos antes de colocarlos en el refrigerador.
- **¿Se ha ajustado el control correctamente de acuerdo con las condiciones circundantes?** Vea "Uso del control".

Es difícil abrir la puerta

⚠ ADVERTENCIA



Peligro de Explosión

Use un limpiador no inflamable.

No seguir esta instrucción puede ocasionar la muerte, explosión o incendio.

- **¿Está la junta sucia o pegajosa?** Limpie la junta y la superficie con la que ésta hace contacto. Frote una capa delgada de cera de parafina sobre la junta después de la limpieza.

La puerta no cierra completamente

- **¿Hay paquetes de alimentos que impiden que se cierre la puerta?** Ordene los recipientes de manera que queden más juntos y ocupen menos espacio.
- **¿Están fuera de posición los estantes?** Coloque los estantes en su posición correcta. Vea "Uso del refrigerador" para obtener más información.

ADVERTENCIA



Peligro de Explosión

Use un limpiador no inflamable.

No seguir esta instrucción puede ocasionar la muerte, explosión o incendio.

- **¿Está pegajosa la junta?** Limpie la junta y la superficie con la que ésta hace contacto. Frote una capa delgada de cera de parafina sobre la junta después de la limpieza.

AYUDA O SERVICIO TÉCNICO

Antes de solicitar ayuda o servicio técnico, por favor consulte la sección "Solución de problemas". Esto le podría ahorrar el costo de una visita de servicio técnico. Si considera que aún necesita ayuda, siga las instrucciones que aparecen a continuación.

Cuando llame, tenga a mano la fecha de compra y el número completo del modelo y de la serie de su electrodoméstico. Esta información nos ayudará a atender mejor a su pedido.

Si necesita piezas de repuesto

Si necesita pedir refacciones, recomendamos que use únicamente piezas de repuesto especificadas de fábrica. Las piezas de repuesto especificadas de fábrica encajarán bien y funcionarán bien ya que están confeccionadas con la misma precisión empleada en la fabricación de cada electrodoméstico nuevo de Jenn-Air®.

Para encontrar piezas de repuesto especificadas de fábrica en su localidad, llámenos o llame al centro de servicio técnico designado más cercano a su localidad.

En los EE.UU.

Llame al centro para la eXperiencia del cliente de Jenn-Air sin costo alguno al: **1-800-JENNAIR (1-800-536-6247)**.

Nuestros consultores ofrecen ayuda para:

- Características y especificaciones de nuestra línea completa de electrodomésticos.
- Información sobre la instalación.
- Procedimiento para el uso y mantenimiento.
- Venta de accesorios y partes para reparación.
- Asistencia especializada para el consumidor (habla hispana, problemas de audición, visión limitada, etc.).
- Recomendaciones con distribuidores locales, compañías que dan servicio y distribuidores de partes para reparación. Los técnicos designados por Jenn-Air están entrenados para cumplir con la garantía del producto y ofrecer servicio una vez que la garantía termine, en cualquier lugar de los Estados Unidos.

Para localizar a una compañía de servicio designada por Jenn-Air en su área, también puede consultar la sección amarilla de su guía telefónica.

Para obtener asistencia adicional

Si necesita asistencia adicional, puede escribir a Jenn-Air con sus preguntas o dudas a:

Jenn-Air Brand Home Appliances
Customer eXperience Center
553 Benson Road
Benton Harbor, MI 49022-2692

Por favor incluya en su correspondencia un número de teléfono en el que se le pueda localizar durante el día.

En Canadá

Llame al Centro para la eXperiencia del cliente de Jenn-Air en Canadá sin costo alguno al: **1-800-JENNAIR (1-800-536-6247)**.

Nuestros consultores ofrecen ayuda para:

- Características y especificaciones de nuestra línea completa de electrodomésticos.
- Procedimiento para el uso y mantenimiento.
- Venta de accesorios y partes para reparación.
- Recomendaciones con distribuidores locales, compañías que dan servicio y distribuidores de partes para reparación. Los técnicos designados por Jenn-Air Canada están entrenados para cumplir con la garantía del producto y ofrecer servicio una vez que la garantía termine, en cualquier lugar de Canadá.

Para obtener asistencia adicional

Si necesita asistencia adicional, puede escribir a Jenn-Air Canada con sus preguntas o dudas a:

Jenn-Air Canada
Customer eXperience Centre
200 – 6750 Century Ave.
Mississauga, Ontario L5N 0B7

Por favor incluya en su correspondencia un número de teléfono en el que se le pueda localizar durante el día.

GARANTÍA LIMITADA DE REFRIGERACIÓN JENN-AIR®

ADJUNTE SU RECIBO AQUÍ. SE REQUIERE LA PRUEBA DE COMPRA PARA OBTENER SERVICIO BAJO LA GARANTÍA.

Tenga a mano la siguiente información cuando llame al Centro para la eXperiencia del cliente:

- Nombre, dirección y número de teléfono
- Número de modelo y de serie
- Una descripción clara y detallada del problema
- Prueba de compra incluido el nombre y la dirección del distribuidor o vendedor

SI NECESITA SERVICIO TÉCNICO:

1. Antes de contactarnos para obtener servicio, determine si el producto requiere reparación. Algunas consultas pueden atenderse sin servicio técnico. Tómese unos minutos para revisar la sección de Solución de problemas o Problemas y soluciones del Manual de uso y cuidado, escanee el código QR que se encuentra a la derecha para acceder a los recursos adicionales o visite <https://jennair.custhelp.com>.
2. Todos los servicios bajo la garantía los brindan exclusivamente Prestadores autorizados de servicio de Jenn-Air. Para EE.UU. y Canadá, dirija todas las solicitudes de servicio bajo la garantía a:

Centro para la eXperiencia del cliente de Jenn-Air
1-800-JENNAIR (1-800-536-6247)



<https://jennair.custhelp.com>

Si usted se encuentra fuera de los cincuenta Estados Unidos o Canadá, póngase en contacto con su distribuidor autorizado de Jenn-Air para determinar si corresponde otra garantía.

GARANTÍA LIMITADA DE CINCO AÑOS

LO QUE ESTÁ CUBIERTO

GARANTÍA LIMITADA DE DOS AÑOS

Durante dos años a partir de la fecha de compra, siempre y cuando este electrodoméstico principal se instale y se le dé un uso y mantenimiento de conformidad con las instrucciones adjuntas o provistas con el producto, la marca Jenn-Air de Whirlpool Corporation o Whirlpool Canada LP (en lo sucesivo denominado "Jenn-Air"), se hará cargo del costo de las piezas especificadas de fábrica y del trabajo de reparación para corregir defectos en los materiales o en la mano de obra, existentes en el momento de la compra de este electrodoméstico principal o reemplazará, a su entera discreción, el producto. En caso de reemplazo, el electrodoméstico estará bajo garantía por el tiempo restante del período de garantía de la unidad original.

GARANTÍA LIMITADA DEL TERCER AL QUINTO AÑO EN EL REVESTIMIENTO DE LA CAVIDAD Y EL SISTEMA DE REFRIGERACIÓN SELLADO

Desde el tercer al quinto año desde la fecha de compra original, siempre y cuando este electrodoméstico principal se instale y se le dé un uso y mantenimiento de conformidad con las instrucciones adjuntas o provistas con el producto, la marca Jenn-Air se hará cargo del costo de las piezas especificadas de fábrica y del trabajo de reparación para los siguientes componentes, para corregir defectos no estéticos en los materiales y en la mano de obra que tenga esta pieza, los cuales eviten el funcionamiento del refrigerador, y que hayan existido en el momento de la compra de este electrodoméstico principal:

- Revestimiento de la cavidad del refrigerador/congelador si la pieza se rompiera debido a defectos de material o de mano de obra.
- Sistema de refrigeración sellado (incluye compresor, evaporador, condensador, secador y tubos conectores).

SU ÚNICO Y EXCLUSIVO RECURSO SEGÚN LOS TÉRMINOS DE ESTA GARANTÍA LIMITADA SERÁ EL DE REPARAR EL PRODUCTO SEGÚN SE ESTIPULA EN LA PRESENTE. El servicio deberá ser suministrado por una compañía de servicio designada por Jenn-Air. Esta garantía limitada es válida solamente en Estados Unidos o en Canadá y se aplica solamente cuando el electrodoméstico principal se use en el país en el que se ha comprado. Esta garantía limitada entrará en vigor a partir de la fecha de la compra del consumidor original. Se requiere una prueba de la fecha de compra original para obtener servicio bajo esta garantía limitada.

LO QUE NO ESTÁ CUBIERTO

1. Uso comercial, no residencial o familiar múltiple o uso diferente del indicado en las instrucciones del usuario, del operador o de instalación publicadas.
2. Instrucción a domicilio sobre cómo usar el producto.
3. Servicio para corregir el mantenimiento o la instalación incorrecta del producto, la instalación que no esté de acuerdo con los códigos eléctricos o de plomería o corrección de plomería o instalación eléctrica doméstica (por ejemplo, instalación eléctrica, fusibles o mangueras de entrada de agua del hogar).
4. Piezas de consumo (por ejemplo, focos de luz, baterías, filtros de agua o de aire, soluciones de conservación, etc.).
5. Defectos o daños causados por el uso de piezas o accesorios no legítimos de Jenn-Air.
6. Daño causado por accidente, uso indebido, abuso, incendio, inundación, actos fortuitos o el empleo de productos no aprobados por Jenn-Air.
7. Reparaciones a piezas o sistemas para corregir el daño o los defectos del producto a causa de reparaciones por servicio no autorizado, alteraciones o modificaciones en el electrodoméstico.
8. Daños estéticos, incluyendo rayaduras, abolladuras, desportilladuras u otro daño al acabado del electrodoméstico a menos que el mismo sea debido a defectos en los materiales o la mano de obra y se le informe a Jenn-Air en un lapso de 30 días.
9. Decoloración, herrumbre u oxidación de las superficies producto de entornos corrosivos o cáusticos que incluyen, entre otras cosas, altas concentraciones de sal, humedad elevada o exposición a productos químicos.
10. Pérdida de comida o medicamentos debido a la falla del producto.
11. Recogida o entrega. Este producto está destinado para ser reparado en su hogar.
12. Gastos de viaje o de transporte para prestar servicio en lugares remotos en los cuales no haya disponible un técnico de servicio autorizado por Jenn-Air.
13. Remoción o reinstalación de electrodomésticos en lugares inaccesibles o dispositivos empotrados (por ejemplo, adornos, paneles decorativos, pisos, armarios, islas, mostradores, paredes, etc.) que interfieran con el servicio, la remoción o el reemplazo del producto.
14. Servicio técnico o piezas para electrodomésticos con números de serie/modelo originales removidos, alterados o no identificados con facilidad.

El costo de la reparación o del reemplazo bajo estas circunstancias excluidas correrá por cuenta del cliente.

EXCLUSIÓN DE GARANTÍAS IMPLÍCITAS

LAS GARANTÍAS IMPLÍCITAS, INCLUYENDO CUALQUIER GARANTÍA IMPLÍCITA DE COMERCIABILIDAD O GARANTÍA IMPLÍCITA DE CAPACIDAD PARA UN PROPÓSITO PARTICULAR, SERÁN LIMITADAS A UN AÑO O AL PERÍODO MÁS CORTO PERMITIDO POR LEY. Algunos estados y provincias no permiten la limitación de la duración de las garantías implícitas de comerciabilidad o capacidad, de modo que la limitación arriba indicada quizá no le corresponda. Esta garantía le otorga derechos legales específicos y es posible que usted tenga también otros derechos que varían de un estado a otro o de una provincia a otra.

EXCLUSIÓN DE DECLARACIONES FUERA DE LA GARANTÍA

Jenn-Air no hace declaraciones acerca de la calidad, durabilidad o necesidad de servicio técnico o reparación de este electrodoméstico principal aparte de las declaraciones incluidas en esta garantía. Si usted desea una garantía con una duración más prolongada o más completa que la garantía limitada que se incluye con este electrodoméstico principal, deberá dirigirse a Jenn-Air o a su distribuidor acerca de la compra de una garantía extendida.

LIMITACIÓN DE RECURSOS; EXCLUSIÓN DE DAÑOS INCIDENTALES Y CONSECUENTES

SU ÚNICO Y EXCLUSIVO RECURSO SEGÚN LOS TÉRMINOS DE ESTA GARANTÍA LIMITADA SERÁ EL DE REPARAR EL PRODUCTO SEGÚN SE ESTIPULA EN LA PRESENTE. JENN-AIR NO SE RESPONSABILIZARÁ POR DAÑOS INCIDENTALES O CONSECUENTES. Algunos estados y provincias no permiten la exclusión o limitación de daños incidentales o consecuentes, de modo que estas limitaciones y exclusiones quizás no le correspondan. Esta garantía le otorga derechos legales específicos y es posible que usted tenga también otros derechos que varían de un estado a otro o de una provincia a otra.

SÉCURITÉ DU RÉFRIGÉRATEUR

Votre sécurité et celle des autres est très importante.

Nous donnons de nombreux messages de sécurité importants dans ce manuel et sur votre appareil ménager. Assurez-vous de toujours lire tous les messages de sécurité et de vous y conformer.



Voici le symbole d'alerte de sécurité.

Ce symbole d'alerte de sécurité vous signale les dangers potentiels de décès et de blessures graves à vous et à d'autres.

Tous les messages de sécurité suivront le symbole d'alerte de sécurité et le mot "DANGER" ou "AVERTISSEMENT". Ces mots signifient :

⚠ DANGER

Risque possible de décès ou de blessure grave si vous ne suivez pas immédiatement les instructions.

⚠ AVERTISSEMENT

Risque possible de décès ou de blessure grave si vous ne suivez pas les instructions.

Tous les messages de sécurité vous diront quel est le danger potentiel et vous disent comment réduire le risque de blessure et ce qui peut se produire en cas de non-respect des instructions.

IMPORTANTES INSTRUCTIONS DE SÉCURITÉ

AVERTISSEMENT : Pour réduire les risques d'incendie, de choc électrique ou des blessures lors de l'utilisation du réfrigérateur, prendre quelques précautions fondamentales, y compris les suivantes :

- Brancher l'appareil sur une prise à 3 alvéoles reliée à la terre.
- Ne pas enlever la broche de liaison à la terre.
- Ne pas utiliser un adaptateur.
- Ne pas utiliser un câble de rallonge.
- Utiliser deux ou plus de personnes pour déplacer et installer le réfrigérateur.
- Débrancher la source de courant électrique avant l'entretien.
- Replacer pièces et panneaux avant de faire la remise en marche.
- Utiliser un produit de nettoyage ininflammable.
- Garder les matériaux et les vapeurs inflammables, telle que l'essence, loin du réfrigérateur.
- Enlever les portes de votre vieux réfrigérateur.

CONSERVEZ CES INSTRUCTIONS

Avertissements de la proposition 65 de l'État de Californie :

AVERTISSEMENT : Ce produit contient au moins un produit chimique connu par l'État de Californie pour être à l'origine de cancers.

AVERTISSEMENT : Ce produit contient au moins un produit chimique connu par l'État de Californie pour être à l'origine de malformations et autres déficiences de naissance.

Mise au rebut de votre vieux réfrigérateur

⚠ AVERTISSEMENT

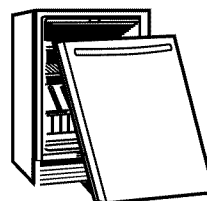
Risque de suffoquer

Enlever les portes de votre vieux réfrigérateur.

Le non-respect de cette instruction peut causer un décès ou des lésions cérébrales.

Avant de jeter votre vieille réfrigérateur :

- Enlever la porte.
- Laisser les tablettes en place de sorte que les enfants ne puissent pas y pénétrer facilement.



IMPORTANT : L'emprisonnement et l'étouffement des enfants ne sont pas un problème du passé. Les réfrigérateurs s'ils ou abandonnés sont encore dangereux, même s'ils sont laissés abandonnés pendant "quelques jours seulement". Si vous vous débarrassez de votre vieux réfrigérateur, veuillez suivre les instructions suivantes pour aider à éviter les accidents.

Renseignements importants à propos de la mise au rebut des fluides réfrigérants :

Mettre le réfrigérateur au rebut conformément à la réglementation fédérale et locale. Les fluides réfrigérants doivent être évacués par un technicien certifié et agréé par l'EPA conformément aux procédures établies.

EXIGENCES D'INSTALLATION

Outillage et pièces

Rassembler les outils et pièces nécessaires avant de commencer l'installation.

Outillage nécessaire :

- Tournevis Phillips

Pièces nécessaires :

- Cadre décoratif personnalisé - Voir "Cadre décoratif - vue arrière".
- Quincaillerie (facultatif)

Pièces fournies :

- Vis à bois M4 x 14 mm (8)

Exigences d'emplacement

⚠ AVERTISSEMENT



Risque d'explosion

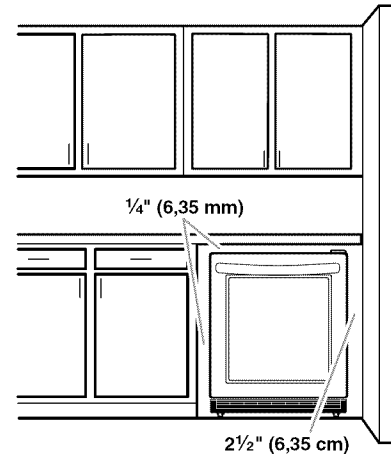
Garder les matériaux et les vapeurs inflammables, telle que l'essence, loin du réfrigérateur.

Le non-respect de cette instruction peut causer un décès, une explosion ou un incendie.

REMARQUES :

- Lorsqu'on souhaite placer le réfrigérateur en affleurement avec la façade des placards inférieurs, enlever toutes les moulures et plinthes à l'arrière de l'ouverture. Voir "Dimensions du produit" et plus loin dans cette section, "Dimensions de l'ouverture".
- Il est conseillé de ne pas installer le réfrigérateur près d'un four, d'un radiateur ou de toute autre source de chaleur.

- Ne pas installer l'appareil en un endroit où la température pourrait descendre en-dessous de 55°F (13°C). Pour le meilleur rendement, ne pas installer la réfrigérateur derrière une porte d'armoire ni obstruer le grille de la base.

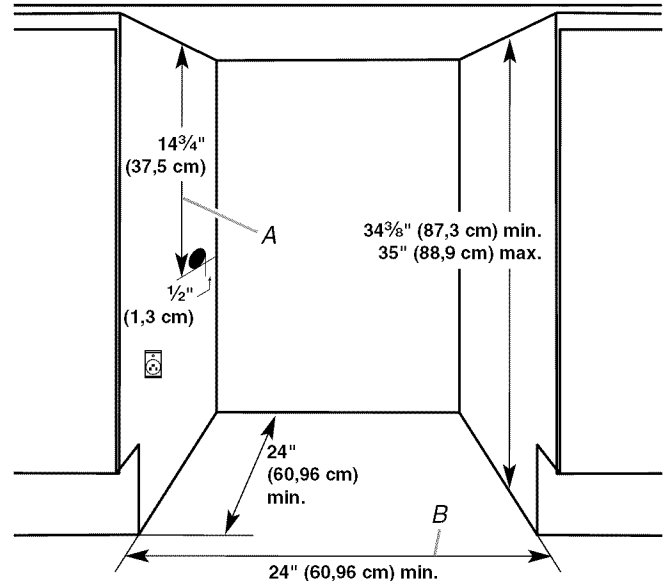


Dimensions de l'ouverture

- Les dimensions de hauteur indiquées correspondent à la configuration selon laquelle les pieds de nivellement sont déployés à la hauteur minimale.

REMARQUE : Lorsque les pieds de nivellement sont complètement déployés, ajouter 5/8" (15 mm) aux dimensions de hauteur. Voir "Dimensions du produit".

- Si le plancher de l'ouverture n'est pas au même niveau que le plancher de la cuisine, installer des cales pour établir un niveau uniforme avec le plancher de la cuisine.



Dimensions critiques :

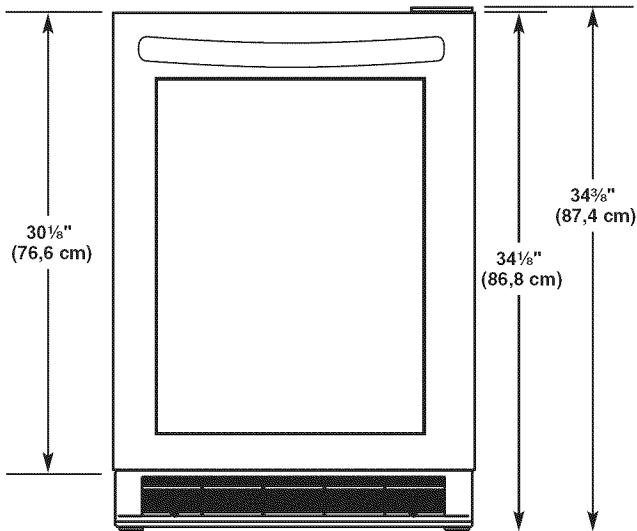
A. Ouverture utilitaire : 14 3/4" (37,5 cm)

B. Largeur minimale de l'ouverture : 24" (60,96 cm)

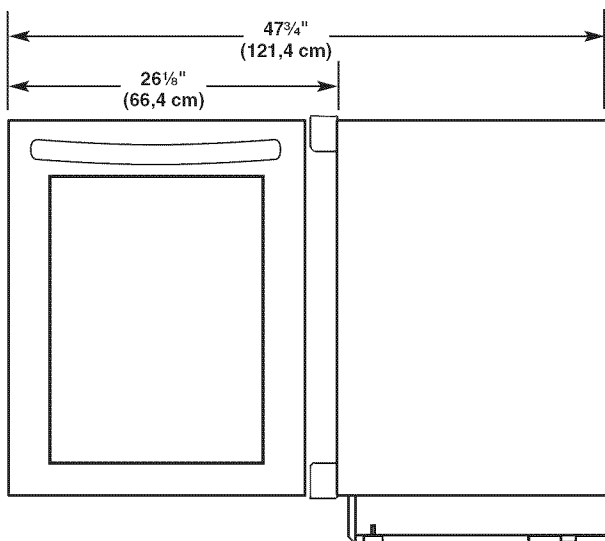
Dimensions du produit

- Les dimensions de hauteur indiquées correspondent à la configuration selon laquelle les pieds de nivellement ne sont PAS déployés.
- Le cordon d'alimentation mesure 60" (152,4 cm) de long.

Vue de face

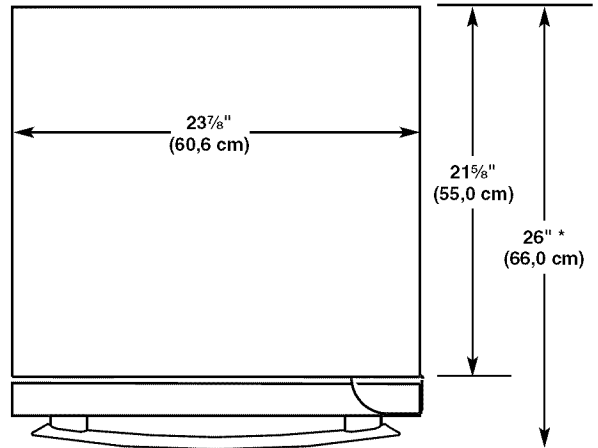


Vue latérale (la porte s'ouvre à 90°)



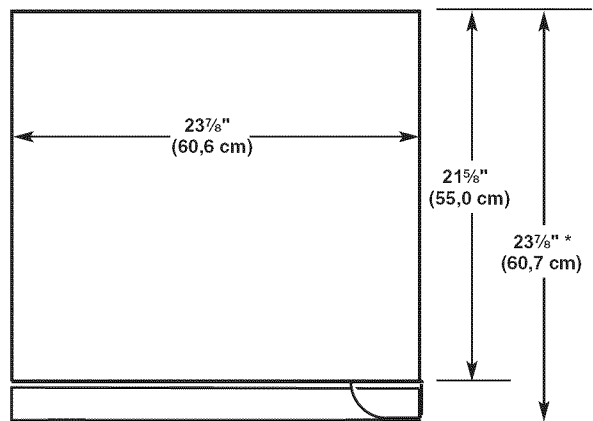
Vue du dessus

Modèles sans revêtement



*La dimension inclut une poignée du style de la série Euro

Modèles avec revêtement



*La dimension inclut un panneau de porte décoratif de ³/₄" (1,91 cm).

Cadre décoratif personnalisé

Pour l'installation d'un cadre décoratif personnalisé, l'installateur devra créer lui-même le cadre ou consulter un ébéniste ou menuisier qualifié. Voir le dessin des dimensions pour les spécifications du cadre.

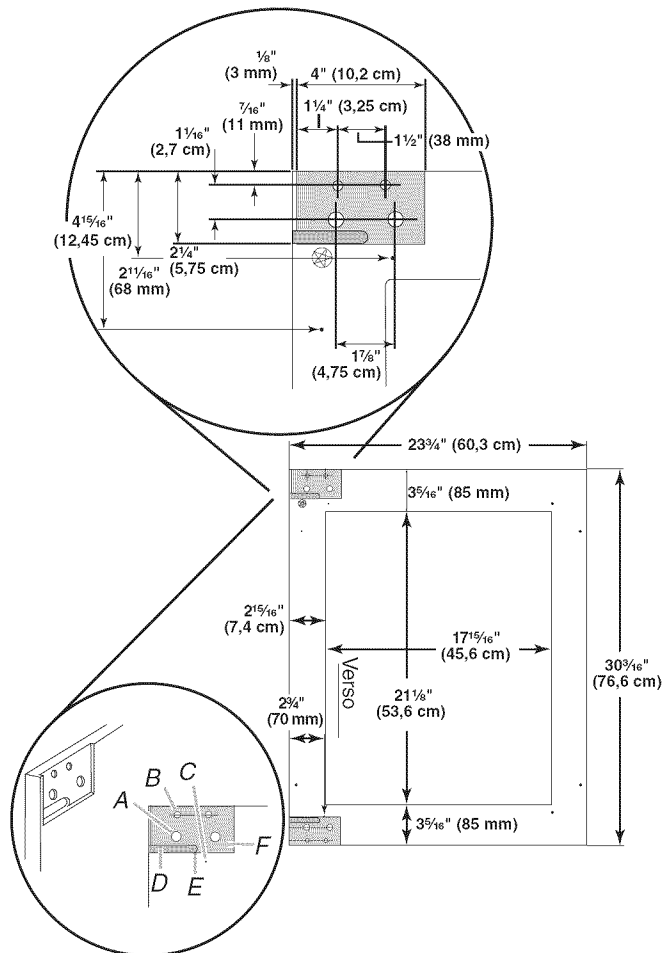
IMPORTANT :

- L'épaisseur du cadre décoratif doit être de ³/₄" (1,91 cm).
- Le poids du cadre décoratif ne doit pas dépasser 10 lb (4,54 kg).
- Un cadre décoratif de poids supérieur à la limite recommandée risque d'endommager l'appareil.

Cadre décoratif - vue arrière

Créer le cadre décoratif personnalisé en fonction des dimensions indiquées.

IMPORTANT : L'image suivante illustre un cadre personnalisé d'une porte dont les charnières sont montées à droite. Si les charnières de votre réfrigérateur sont montées à gauche, tourner le cadre personnalisé de 180° pour que les repères de charnière se trouvent à gauche.

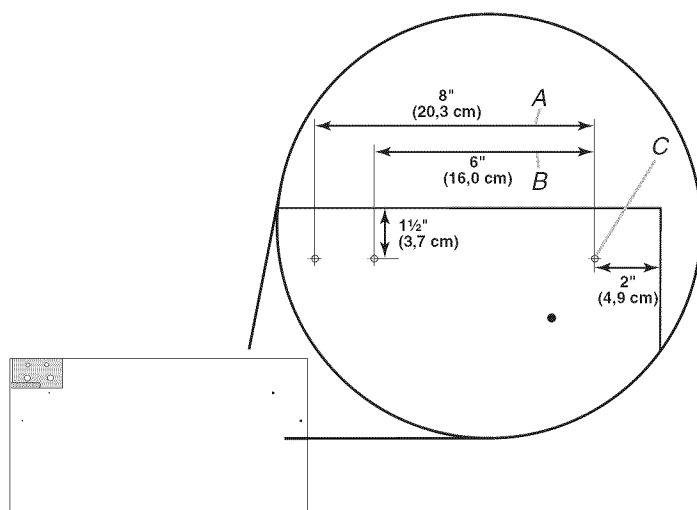


- Perçer les trous à l'aide d'un foret de $\frac{15}{32}$ " (12 mm) jusqu'à une profondeur d'environ $\frac{1}{2}$ " (13 mm) avant toupillage. (4 trous au total)
- Perçer les trous à l'aide d'un foret de $\frac{5}{16}$ " (8 mm) jusqu'à une profondeur d'environ $\frac{1}{2}$ " (13 mm) avant toupillage. (4 trous au total)
- Perçer les trous à l'aide d'un foret de $\frac{7}{64}$ " (2,8 mm) jusqu'à une profondeur d'environ $\frac{1}{2}$ " (13 mm) avant toupillage. (8 trous au total)
- Toupiller les parties grisées relatives aux charnières jusqu'à une profondeur de $\frac{19}{32}$ " (15 mm).
- Toupiller les parties grisées relatives aux charnières jusqu'à une profondeur de $\frac{1}{4}$ " (4 mm).
- Rayon de courbure de $\frac{1}{8}$ " (3 mm) à l'aide d'un outil de $\frac{1}{4}$ ". (5 rayons au total)

Poignée personnalisée (facultative)

Les poignées personnalisées sont généralement fixées uniquement au panneau de porte décoratif personnalisé. Le réfrigérateur comporte deux emplacements pour la fixation des poignées personnalisées à travers le panneau de porte décoratif personnalisé et sur l'intérieur de la porte du réfrigérateur pour une stabilité améliorée. Les deux emplacements fournis conviennent aux dimensions de poignées pour placards de cuisine répandues de 8" (203 mm) et 6 $\frac{1}{4}$ " (160 mm).

- Suivre les instructions pour réaliser le panneau décoratif personnalisé.
- Voir les dessins des dimensions suivants pour les spécifications de la poignée personnalisée.
- Perçer les trous de la poignée personnalisée de façon à ce qu'ils correspondent à la taille de votre poignée personnalisée - 8" (203 mm) ou 6 $\frac{1}{4}$ " (160 mm).
- Installer la poignée personnalisée avant avoir installé le panneau décoratif sur la porte du réfrigérateur.



- Trous de la poignée de 8" (203 mm)
- Trous de la poignée de 6" (160 mm)
- Perçer les trous à l'aide d'un foret de $\frac{3}{16}$ " (4,5 mm) (deux trous).

REMARQUE : Les poignées personnalisées placées à un emplacement différent (voir le dessin précédent) ou qui ne sont pas de la dimension recommandée (8" [203 mm] ou 6 $\frac{1}{4}$ " [160 mm]) doivent être installées sur le panneau de porte avec des fraises et installées avant que le panneau de porte décoratif personnalisé est installé sur la porte du réfrigérateur.

Spécifications électriques

⚠ AVERTISSEMENT



Risque de choc électrique

Brancher sur une prise à 3 alvéoles reliée à la terre.

Ne pas enlever la broche de liaison à la terre.

Ne pas utiliser un adaptateur.

Ne pas utiliser un câble de rallonge.

Le non-respect de ces instructions peut causer un décès, un incendie ou un choc électrique.

Avant de placer le réfrigérateur à son emplacement final, il est important de vous assurer d'avoir la connexion électrique appropriée.

Méthode recommandée de mise à la terre

Une source d'alimentation de 115 volts, 60 Hz, type 15 ou 20 ampères CA seulement, protégée par fusibles et adéquatement mise à la terre est nécessaire. Il est recommandé d'utiliser un circuit distinct pour alimenter uniquement votre réfrigérateur. Utiliser une prise murale qui ne peut pas être mise hors circuit à l'aide d'un commutateur. Ne pas utiliser un câble de rallonge.

REMARQUE : Avant d'exécuter tout type d'installation, nettoyage ou remplacement d'une ampoule d'éclairage, débrancher le réfrigérateur ou déconnecter la source de courant électrique.

INSTRUCTIONS D'INSTALLATION

Déballage du réfrigérateur

⚠ AVERTISSEMENT

Risque du poids excessif

Utiliser deux ou plus de personnes pour déplacer et installer le réfrigérateur.

Le non-respect de cette instruction peut causer une blessure au dos ou d'autre blessure.

Enlèvement des matériaux d'emballage

- Enlever le ruban adhésif et la colle des surfaces du réfrigérateur avant de la mettre en marche. Frotter une petite quantité de savon liquide pour la vaisselle sur l'adhésif avec les doigts. Rincer à l'eau tiède et essuyer.
- Ne pas utiliser d'instruments coupants, d'alcool à friction, de liquides inflammables ou de nettoyants abrasifs pour enlever le ruban adhésif ou la colle. Ces produits peuvent endommager la surface de votre réfrigérateur. Pour plus de renseignements, voir "Sécurité du réfrigérateur".

- Jeter ou recycler tous les matériaux d'emballage.

Déplacement de votre cave à vin :

Votre cave à vin est lourde. Lors du déplacement de la cave à vin pour le nettoyage ou le service, veiller à recouvrir le plancher avec du carton ou un panneau de fibre dur pour éviter qu'il ne subisse tout dommage. Toujours tirer la cave à vin tout droit lors du déplacement. Ne pas incliner la cave à vin d'un côté ou de l'autre ni la "faire marcher" en essayant de la déplacer car le plancher pourrait être endommagé.

Nettoyage avant l'utilisation

Après avoir enlevé tous les matériaux d'emballage, nettoyer l'intérieur du réfrigérateur avant de l'utiliser. Voir les instructions de nettoyage dans "Entretien du réfrigérateur".

Importants renseignements à savoir au sujet des tablettes et des couvercles en verre :

Ne pas nettoyer les tablettes ou couvercles en verre avec de l'eau tiède quand ils sont froids. Les tablettes et les couvercles peuvent se briser s'ils sont exposés à des changements soudains de température ou à un impact tel que coup brusque. Le verre trempé est conçu pour éclater en d'innombrables pièces minuscules. Ceci est normal. Les tablettes et les couvercles en verre sont lourds. Les saisir à deux mains lors de leur dépose afin d'éviter de les faire tomber.

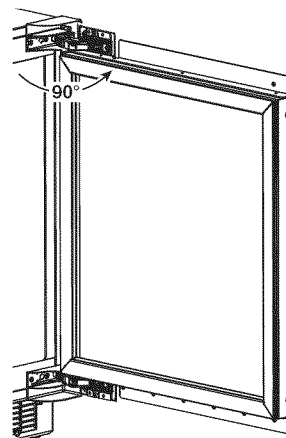
Installation du panneau décoratif personnalisé

IMPORTANT :

- Réaliser le panneau décoratif personnalisé selon les spécifications de la section "Panneau décoratif personnalisé".
- Jenn-Air n'est pas responsable des opérations de dépose et d'installation de moulures ou panneaux décoratifs qui entraveraient l'accès à l'appareil lors d'une intervention d'entretien ou de réparation.

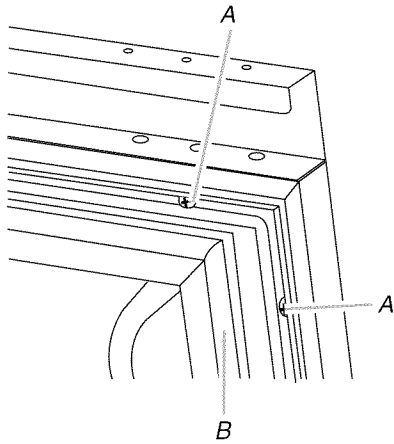
Installation du panneau personnalisé

1. Ouvrir la porte complètement à 90°.

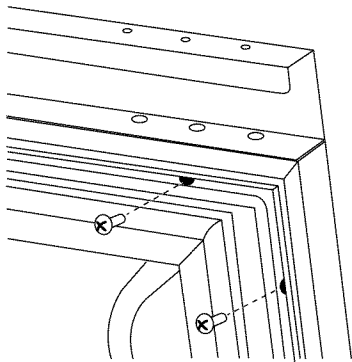


- Retirer le joint d'étanchéité des coins de la porte en tirant doucement jusqu'à ce que les deux vis dans chaque coin de la porte soient visibles.

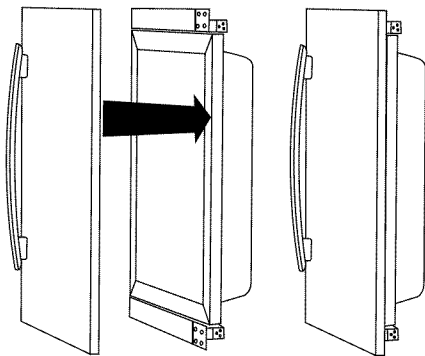
REMARQUE : Il est inutile de retirer le joint d'étanchéité de la porte, uniquement des coins.



A. Vis
B. Joint d'étanchéité



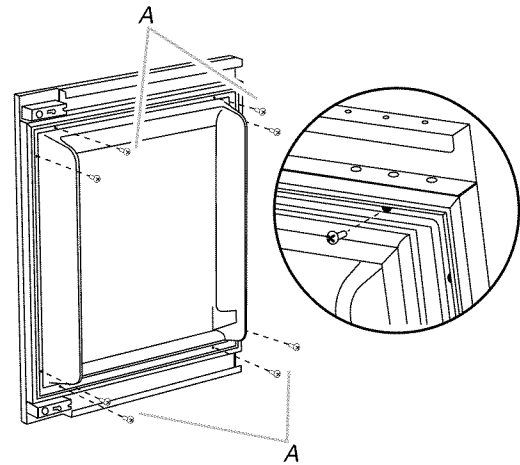
- Retirer les quatre paires de vis de la porte.
- À l'aide de deux personnes, tenir le panneau décoratif personnalisé de manière à ce que les trous à l'arrière du panneau soient alignés avec les trous sur la porte



REMARQUE : Les poignées personnalisées placées à un emplacement différent (voir la section "Poignée personnalisée (facultative)") ou qui ne sont pas de la dimension recommandée (8" [203 mm] ou 6¼" [160 mm]) doivent être installées sur le panneau de porte avec des fraises et installées avant que le panneau de porte décoratif personnalisé ne soit installé sur la porte du réfrigérateur.

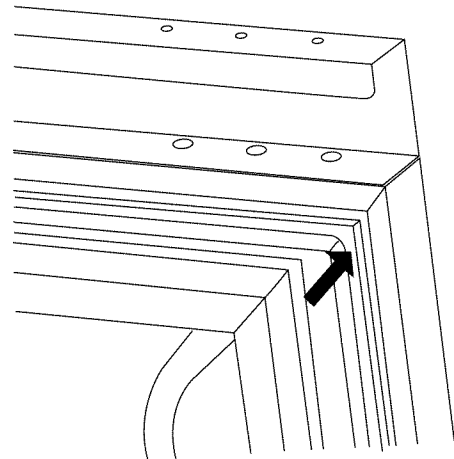
- Ensuite, fixer le panneau personnalisé sur la porte à l'aide de deux vis à bois (fournies dans l'ensemble d'installation) à chaque coin.

NOTE: Ne pas utiliser les vis précédemment retirées.

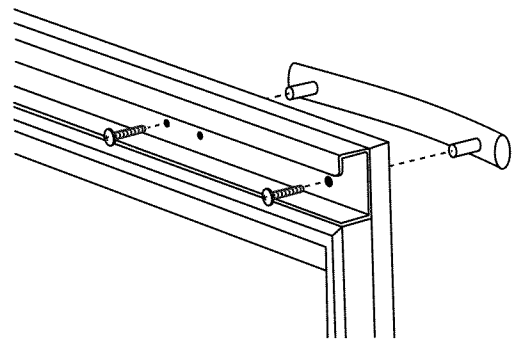


A. Vis à bois M4 x 14

- Appuyer fermement le joint d'étanchéité à sa position initiale.



- Pour les poignées personnalisées de 8" (203 mm) ou 6¼" (160 mm), installer la poignée personnalisée depuis l'intérieur/l'arrière de la porte du réfrigérateur à l'aide des vis fournies avec la poignée.



Fermeture de la porte

Fermeture de la porte

Le réfrigérateur dispose de quatre pieds de nivellement. Si le réfrigérateur semble instable ou si vous désirez que la porte se ferme plus facilement, ajuster l'inclinaison du réfrigérateur en observant les instructions ci-dessous.

⚠ AVERTISSEMENT



Risque de choc électrique

Brancher sur une prise à 3 alvéoles reliée à la terre.

Ne pas enlever la broche de liaison à la terre.

Ne pas utiliser un adaptateur.

Ne pas utiliser un câble de rallonge.

Le non-respect de ces instructions peut causer un décès, un incendie ou un choc électrique.

1. Brancher sur une prise de courant à 3 alvéoles, reliée à la terre.

⚠ AVERTISSEMENT

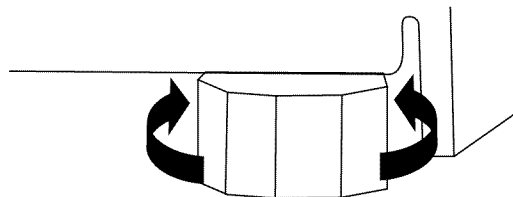
Risque du poids excessif

Utiliser deux ou plus de personnes pour déplacer et installer le réfrigérateur.

Le non-respect de cette instruction peut causer une blessure au dos ou d'autre blessure.

2. Déplacer le réfrigérateur à son emplacement définitif.
3. Tourner les pieds de réglage de l'aplomb vers la droite pour abaisser le réfrigérateur ou tourner les pieds de réglage de l'aplomb vers la gauche pour le soulever. Il peut être nécessaire de tourner les pieds de nivellement plusieurs fois pour ajuster l'inclinaison du réfrigérateur.

REMARQUE : Si une autre personne pousse le haut du réfrigérateur, le poids devient moins lourd sur les pieds de nivellement, ce qui rend plus facile l'ajustement des pieds de nivellement.



4. Ouvrir la porte et s'assurer qu'elle ferme comme vous le désirez. Sinon, incliner le réfrigérateur un peu plus vers l'arrière en tournant les deux vis de nivellement avant vers la gauche. Plusieurs tours peuvent être nécessaires et il convient de tourner les deux vis de réglage de l'aplomb de façon égale.

UTILISATION DU RÉFRIGÉRATEUR

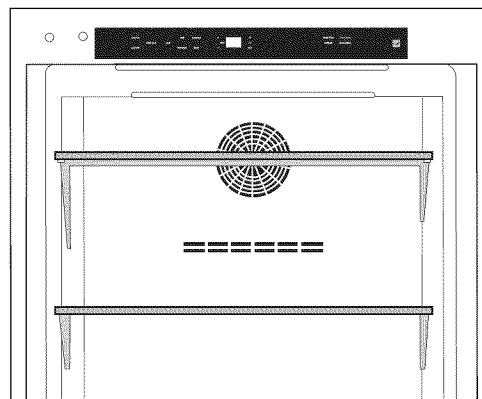
Sons normaux

Il est possible que le réfrigérateur neuf émette des sons que l'appareil précédent ne produisait pas. Comme ces sons sont nouveaux, ils peuvent vous inquiéter. La plupart de ces nouveaux sons sont normaux. Les sons peuvent vous sembler plus forts avec des surfaces dures telles que le plancher et les structures adjacentes. Les descriptions suivantes indiquent les genres de sons et leur cause possible.

- Votre réfrigérateur est conçu pour fonctionner plus efficacement afin de conserver les aliments aux températures désirées et pour minimiser la consommation d'énergie. Le compresseur et les ventilateurs très efficaces peuvent faire fonctionner votre réfrigérateur plus longtemps que l'ancien. Il se peut également que vous entendiez un bruit saccadé ou aigu provenant du compresseur ou des ventilateurs qui s'ajustent pour optimiser la performance.
- Des vibrations sonores peuvent provenir de l'écoulement du réfrigérant ou d'articles placés dans le réfrigérateur.
- À la fin de chaque programme, vous pouvez entendre un gargouillement attribuable au réfrigérant qui se trouve dans votre réfrigérateur.
- Vous pouvez entendre l'écoulement de l'eau dans le plateau de récupération lorsque le réfrigérateur dégivre.
- Vous pouvez entendre des déclics lorsque le réfrigérateur se met en marche ou s'arrête.

Utilisation des commandes

Le tableau de commande se trouve au sommet du compartiment face à l'avant. La commande du réfrigérateur ne comporte aucune pièce ni aucun bouton mécanique. Lorsqu'il est déconnecté, le tableau de commande n'affiche rien et peut être difficile à repérer.



Mise en marche/arrêt de la commande

- La première fois que le réfrigérateur est branché, la commande est réglée en mode Cool Off (refroidissement désactivé). Cool On (refroidissement activé) et Cool Off (refroidissement désactivé) sont les seules options affichées.



- Appuyer sur COOL ON (refroidissement activé) pendant 3 secondes pour allumer le réfrigérateur. Tous les menus et les réglages de température recommandés s'affichent.



Visualisation de la température en degrés Celsius

- Appuyer sur la touche tactile F/C pour alterner l'affichage de la température en degrés Fahrenheit ou en degrés Celsius. Le témoin correspondant s'allumera.

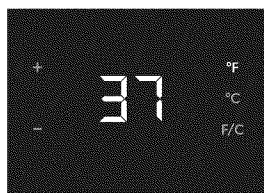


A. Touche tactile F/C

Réglage des commandes

Lorsque l'on met en marche le réfrigérateur pour la première fois, la température recommandée est réglée par défaut.

- Pour ajuster les points de réglages de température, appuyer sur la touche "+" (plus) ou "-" (moins) jusqu'à ce que la température désirée soit atteinte.



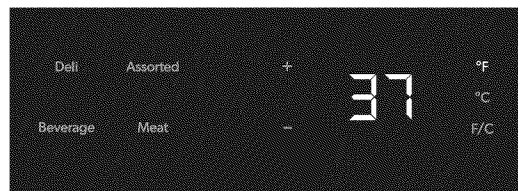
REMARQUE : La température réglée pour le réfrigérateur est de 37°F (2°). La gamme de réglage de 32°F à 42°F (0°C à 5°C).

La commande est réglée correctement lorsque le lait et les boissons sont à la température idéale.

REMARQUE : Attendre au moins 24 heures entre les ajustements pour que les produits s'adaptent.

Utilisation des pré-réglages

Pour votre commodité, le réfrigérateur est également équipé de commandes pré-réglées à des températures d'entreposage recommandées pour des produits spécifiques.



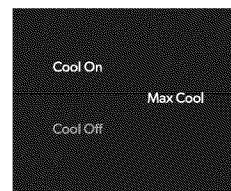
En appuyant sur une option de pré-réglage, la température sera réglée au niveau recommandé pour chaque catégorie :

- Produits de spécialité : 39°F (3°C)
- Assortiments : 37° (2°C)
- Boissons : 34°F (1°C)
- Viande : 32°F (0°C)

Max Cool (refroidissement maximal)

La caractéristique Max Cool (refroidissement maximal) est utile lors de périodes d'utilisation intensive, d'ajout d'un grand nombre d'aliments ou de l'élévation temporaire de la température de la pièce.

La caractéristique Max Cool (refroidissement maximal) réinitialise la température du réfrigérateur au réglage le plus froid (32°F [0°C]) pendant 24 heures.



REMARQUE : L'afficheur de température reste au(x) réglage(s) le(s) plus froid(s) et le témoin lumineux reste allumé pendant 24 heures à moins que l'une des actions suivantes ne soit effectuée :

- Ajustement de la température
- Sélection du mode Cool Off (refroidissement désactivé)
- Sélection du mode Sabbath

Après 24 heures, le réfrigérateur revient au point de réglage de température précédent et le témoin lumineux s'éteint.

Éclairage automatique

Le réfrigérateur est équipé d'un détecteur qui illumine automatiquement l'intérieur lorsque quelqu'un passe devant. Lorsqu'aucun mouvement n'est plus détecté, la lampe d'intérieur s'éteint au bout de 2 minutes.

- Appuyer sur l'option Auto Light (lampe auto) pour activer cette caractéristique.



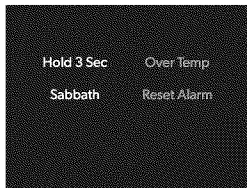
- Lorsque la fonction Auto Light (lampe auto) n'est pas activée, la lampe d'intérieur ne s'allume que lorsque la porte est ouverte.

REMARQUE :

- La température du réfrigérateur augmente légèrement si la lumière est laissée allumée pendant une période prolongée.
- La lampe est une DEL qui n'a pas besoin d'être remplacée par l'utilisateur. Toutefois, si la DEL ne s'allume pas quand on ouvre la porte, appeler le service de dépannage pour vérifier le problème et remplacer la lampe si nécessaire. Voir "Assistance ou service" pour savoir qui contacter.

Mode Sabbat

Le mode Sabbat est conçu pour les personnes qui partent en voyage ou pour les celles dont les pratiques religieuses requièrent l'extinction des lumières. En sélectionnant cette caractéristique, les points de réglage de température restent inchangés mais les lumières du tableau de commande, les lampes d'intérieur et les signaux sonores du tableau de commande sont désactivés. Pour un fonctionnement plus efficace du réfrigérateur, il est recommandé de sortir du mode Sabbat lorsque celui-ci n'est plus nécessaire.



- Appuyer sur SABBATH (Sabbat) pendant 3 secondes pour activer la caractéristique. Après le compte à rebours de 3 secondes, la caractéristique s'active et tous les autres affichages s'éteignent.
- Appuyer sur SABBATH (Sabbat) pendant 3 secondes pour désactiver la caractéristique et activer l'affichage.

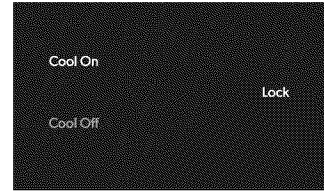
Porte ouverte

Si la porte est laissée ouverte pendant plus de 5 minutes, l'avertisseur retentira toutes les 2 minutes jusqu'à ce que l'on ferme la porte ou que l'on appuie sur n'importe quelle touche.

Mode de verrouillage

Le mode de verrouillage désactive toutes les autres options et empêche de modifier les réglages de température souhaités.

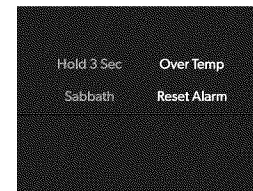
- Pour activer le mode de verrouillage, appuyer sur LOCK (verrouillage) pendant 3 secondes. Après le compte à rebours de 3 secondes, tous les autres affichages s'éteignent et deviennent indisponibles sauf Cool On (refroidissement activé), Cool Off (refroidissement désactivé) et Lock (verrouillage).



Alarme de dépassement de température

REMARQUE : Si l'alarme de température excessive s'active, les aliments peuvent se gâter. Voir "Pannes de courant". Minimiser les ouvertures de porte jusqu'à ce que les températures reviennent à la normale.

La caractéristique d'alarme de température excessive est conçue pour vous avertir lorsque la température du réfrigérateur dépasse 45°F (7°C) pendant plus de 4 heures. L'alarme sonore s'éteint automatiquement lorsque la température retourne à la normale, mais le témoin lumineux continue de clignoter jusqu'à ce que l'alarme ait été réinitialisée pour indiquer qu'un dépassement de la température s'est produit.



Si le dépassement de température persiste après une réinitialisation de l'alarme de dépassement de température, le témoin lumineux continue de se réactiver toutes les 4 heures jusqu'à ce que la température de réfrigérateur descende en-dessous de 45°F (7°C).

REMARQUE : Ces caractéristiques ne s'affichent pas sur la commande à moins que la température du réfrigérateur ne soit excessive et que l'alarme doit être réinitialisée.

Mode d'exposition

Ce mode est utilisé uniquement lorsque le réfrigérateur est en exposition dans le magasin. Si vous activez involontairement le mode d'exposition, "Cool Off" (refroidissement désactivé) s'allume sur l'affichage et les commandes semblent fonctionner. Sortir du mode d'exposition en appuyant simultanément sur COOL ON (refroidissement activé) et SABBATH (Sabbat) pendant 3 secondes.

CARACTÉRISTIQUES DU RÉFRIGÉRATEUR

Importants renseignements à savoir au sujet des tablettes et des couvercles en verre :

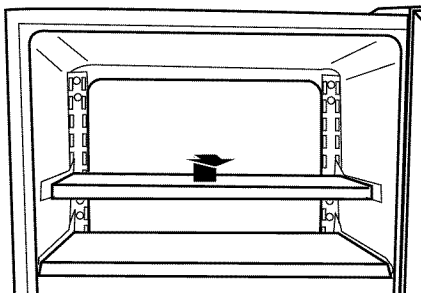
Ne pas nettoyer les tablettes ou couvercles en verre avec de l'eau tiède quand ils sont froids. Les tablettes et les couvercles peuvent se briser s'ils sont exposés à des changements soudains de température ou à un impact tel que coup brusque. Le verre trempé est conçu pour éclater en d'innombrables pièces minuscules. Ceci est normal. Les tablettes et les couvercles en verre sont lourds. Les saisir à deux mains lors de leur dépose afin d'éviter de les faire tomber.

Tablettes du réfrigérateur

Retrait ou ajustement des tablettes supérieures :

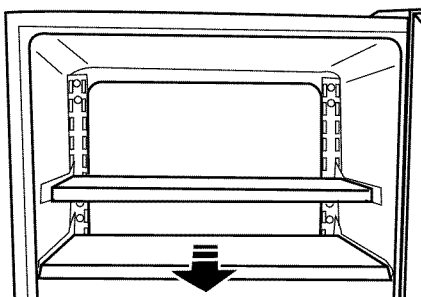
1. Ôter la tablette en la soulevant pour la sortir des supports de tablette.
2. Retirer les deux supports de tablette et les replacer à l'endroit souhaité.
3. Réinstaller la tablette en l'insérant dans les supports de tablette.

REMARQUE : Vérifier que la tablette est d'aplomb.



Retrait et réinstallation de la tablette inférieure :

1. Pour retirer la tablette située tout en bas, tirer tout droit vers l'extérieur.
2. Réinstaller la tablette en alignant les bords avec les glissières et en la poussant vers l'arrière du réfrigérateur.



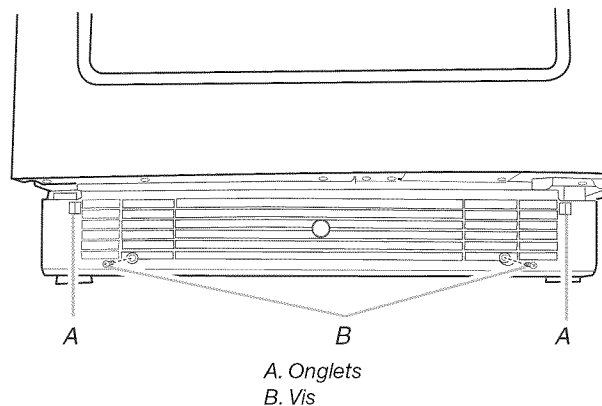
ENTRETIEN DU RÉFRIGÉRATEUR

Grille de la base

La grille de la base doit être retirée pour pouvoir accéder aux serpentins du condenseur lors du nettoyage.

Pour enlever la grille de la base :

1. Ouvrir la porte de la réfrigérateur.
2. À l'aide d'un tournevis Phillips, ôter les deux vis. Pousser les deux onglets vers le centre pour dégager la grille du base du réfrigérateur.



3. Retirer la grille de la base.

Pour remplacer la grille de la base :

1. Ouvrir la porte de la réfrigérateur.
2. Positionner la grille du base de façon à ce que les onglets soient alignés et que la grille de la base s'emboîte. Réinstaller les deux vis. Serrer les vis.

Nettoyage

⚠ AVERTISSEMENT



Risque d'explosion

Utiliser un produit de nettoyage ininflammable.

Le non-respect de cette instruction peut causer un décès, une explosion ou un incendie.

Nettoyer le réfrigérateur environ une fois par mois pour empêcher une accumulation d'odeurs. Essuyer les renversements immédiatement.

Pour nettoyer le réfrigérateur :

1. Débrancher le réfrigérateur ou déconnecter la source de courant électrique.
2. Retirer toutes les pièces amovibles de l'intérieur, telles que les tablettes, etc.

3. Laver à la main, rincer et sécher les pièces amovibles et les surfaces internes soigneusement. Utiliser une éponge propre ou un linge doux et un détergent doux dans de l'eau tiède.

- Ne pas utiliser de nettoyants puissants ou abrasifs tels que les nettoyants à vitre en atomiseurs, nettoyants à récurer, liquides inflammables, cires nettoyantes, détergents concentrés, agents de blanchiment ou nettoyants contenant du pétrole sur les pièces en plastique, les garnitures intérieures et garnitures de portes ou sur les joints de portes. Ne pas utiliser d'essuie-tout, tampons à récurer ou autres outils de nettoyage abrasifs. Ces produits risquent d'égratigner ou d'endommager les matériaux.
- Pour aider à éliminer les odeurs, on peut laver les parois intérieures avec un mélange d'eau tiède et de bicarbonate de sodium (2 c. à soupe pour 1 pinte [26 g à 0,95 L] d'eau).

4. Laver les surfaces extérieures en acier inoxydable et surfaces extérieures peintes avec une éponge propre ou un linge doux et un détergent doux dans de l'eau tiède. Ne pas utiliser de produits de nettoyage forts ou abrasifs, ni de nettoyants à base de chlore. Ces produits risquent d'égratigner ou d'endommager les matériaux. Sécher soigneusement avec un chiffon doux.

REMARQUE : Pour que votre réfrigérateur en acier inoxydable conserve son aspect neuf et pour enlever les petites égratignures ou marques, il est suggéré d'utiliser le nettoyant et poli pour acier inoxydable approuvé par le fabricant.

IMPORTANT : Ce nettoyant doit être utilisé sur les pièces en acier inoxydable uniquement!

Veiller à ce que le nettoyant et poli pour acier inoxydable n'entre pas en contact avec les pièces de plastique telles que garnitures, couvercles de distributeurs ou joints de porte. En cas de contact non intentionnel, nettoyer la pièce de plastique avec une éponge et un détergent doux dans de l'eau tiède. Sécher soigneusement avec un chiffon doux.

5. Réinstaller les les pièces amovibles.
6. Nettoyer régulièrement les serpentins du condenseur. Ils sont situés derrière la grille de la base. Il se peut que les serpentins aient besoin d'être nettoyés tous les deux mois. Ce nettoyage peut aider à économiser de l'énergie.
- Retirer le casier de la base. Voir "Grille de la base".
 - Utiliser un aspirateur avec un accessoire long pour nettoyer les serpentins du condenseur lorsqu'ils sont sales ou poussiéreux.
 - Réinstaller la grille de la base.
7. Brancher le réfrigérateur ou reconnecter la source de courant électrique.

Précautions à prendre pour les vacances et avant un déménagement

Vacances

Si vous choisissez de laisser le réfrigérateur en fonctionnement pendant votre absence, suivre ces étapes pour préparer votre réfrigérateur avant de partir.

Si vous choisissez d'arrêter le réfrigérateur avant de partir, suivre ces étapes.

1. Enlever tous les aliments du réfrigérateur.
2. Débrancher le réfrigérateur.
3. Nettoyer le réfrigérateur. Voir "Nettoyage".
4. À l'aide de ruban adhésif, placer un bloc de caoutchouc ou de bois dans la partie supérieure de la porte de façon à ce qu'elle soit suffisamment ouverte pour permettre l'entrée de l'air à l'intérieur, afin d'éviter l'accumulation d'odeur ou de moisissure.

Déménagement

En cas de déménagement et de déplacement du réfrigérateur dans une nouvelle habitation, suivre ces étapes pour préparer le déménagement.

1. Enlever tous les aliments du réfrigérateur.
2. Débrancher le réfrigérateur.
3. Nettoyer, essuyer et sécher à fond.
4. Retirer toutes les pièces amovibles, bien les envelopper et les attacher ensemble à l'aide de ruban adhésif pour qu'elles ne bougent pas ni ne s'entrechoquent durant le déménagement.
5. Fermer les portes à l'aide de ruban adhésif et fixer le cordon d'alimentation au réfrigérateur.

Lorsque vous arriverez à votre nouvelle habitation, remettre tout en place et consulter la section "Instructions d'installation" pour les instructions de préparation.

DÉPANNAGE

Essayer d'abord les solutions suggérées ici afin d'éviter le coût d'une intervention de dépannage inutile.

Le réfrigérateur ne fonctionne pas

AVERTISSEMENT



Risque de choc électrique

Brancher sur une prise à 3 alvéoles reliée à la terre.

Ne pas enlever la broche de liaison à la terre.

Ne pas utiliser un adaptateur.

Ne pas utiliser un câble de rallonge.

Le non-respect de ces instructions peut causer un décès, un incendie ou un choc électrique.

- **Le cordon d'alimentation électrique est-il débranché?** Brancher l'appareil sur une prise à 3 alvéoles reliée à la terre.
- **Un fusible du domicile est-il grillé ou le disjoncteur s'est-il déclenché?** Remplacer le fusible ou réenclencher le disjoncteur.
- **Le réfrigérateur est-il en mode Cool Off (refroidissement désactivé)?** Voir "Utilisation de la commande".

Le moteur semble fonctionner excessivement

- **La température ambiante est-elle plus élevée que d'habitude?** Prévoir que le moteur fonctionnera plus longtemps dans des conditions de chaleur. Pour des températures normales, prévoir que le moteur fonctionne à peu près 40 % à 80 % du temps. Dans des conditions plus chaudes, prévoir un fonctionnement encore plus fréquent.
- **Vient-on d'ajouter une grande quantité d'aliments au réfrigérateur?** L'ajout d'une grande quantité d'aliments réchauffe le réfrigérateur. Il est normal que le moteur fonctionne plus longtemps afin de refroidir de nouveau le réfrigérateur.
- **La porte est-elle ouverte fréquemment?** Prévoir que le moteur fonctionnera plus longtemps dans ce cas. Afin de conserver l'énergie, essayer de sortir du réfrigérateur tout ce dont vous avez besoin en une fois, garder les aliments organisés de sorte qu'ils soient faciles à trouver et fermer la porte dès que les aliments ont été retirés.
- **Le réglage est-il correct pour les conditions existantes?** Voir "Utilisation de la commande".
- **La porte est-elle bien fermée?** Bien fermer la porte. Si elle ne ferme pas complètement, voir "La porte ne ferme pas complètement" plus loin dans cette section.
- **Les serpentins du condenseur sont-ils sales?** Cette situation fait obstruction au transfert de l'air et fait travailler davantage le moteur. Nettoyer les serpentins du condenseur. Voir "Nettoyage".

La température est trop élevée

- **La porte est-elle ouverte fréquemment?** Prévoir que le réfrigérateur deviendra tiède dans ce cas. Afin de conserver l'énergie, essayer de sortir du réfrigérateur tout ce dont vous avez besoin en une fois, garder les aliments organisés de sorte qu'ils soient faciles à trouver et fermer la porte dès que les aliments ont été retirés.
- **Vient-on d'ajouter une grande quantité d'aliments au réfrigérateur?** L'ajout d'une grande quantité d'aliments réchauffe le réfrigérateur. Plusieurs heures peuvent être nécessaires pour que le réfrigérateur revienne à la température normale.
- **Le réglage est-il correct pour les conditions existantes?** Voir "Utilisation de la commande".
- **La grille de la base est-elle obstruée?** Pour le meilleur rendement, ne pas installer le réfrigérateur derrière une porte d'armoire ni obstruer la grille de la base.

Il y a accumulation d'humidité à l'intérieur

- **La porte est-elle ouverte fréquemment?** Pour éviter une accumulation d'humidité, essayer de sortir du réfrigérateur tout ce dont vous avez besoin en une fois, garder les aliments organisés de sorte qu'ils soient faciles à trouver et fermer la porte dès que les aliments ont été retirés. Lorsque la porte est ouverte, l'humidité de l'air extérieur pénètre dans le réfrigérateur. Plus la porte est ouverte, plus l'humidité s'accumule rapidement, surtout lorsque la pièce est très humide.
- **La pièce est-elle humide?** Il est normal que de l'humidité s'accumule à l'intérieur du réfrigérateur lorsque l'air est humide.
- **Les aliments sont-ils bien emballés?** Vérifier que tous les aliments sont bien emballés. Essuyer les contenants humides avant de les placer dans le réfrigérateur.
- **Le réglage est-il correct pour les conditions existantes?** Voir "Utilisation de la commande".

La porte est difficile à ouvrir

AVERTISSEMENT



Risque d'explosion

Utiliser un produit de nettoyage ininflammable.

Le non-respect de cette instruction peut causer un décès, une explosion ou un incendie.

- **Le joint est-il sale ou collant?** Nettoyer le joint et la surface avec laquelle il est en contact. Frotter en appliquant une fine couche de paraffine sur le joint après le nettoyage.

La porte ne ferme pas complètement

- **Les aliments emballés empêchent-ils la porte de fermer?** Réorganiser les contenants de sorte qu'ils soient plus rapprochés et prennent moins d'espace.
- **Les casiers sont-ils bien en place?** Remettre les casiers en bonne position. Voir "Utilisation du réfrigérateur" pour plus de renseignements.

AVERTISSEMENT



Risque d'explosion

Utiliser un produit de nettoyage ininflammable.

Le non-respect de cette instruction peut causer un décès, une explosion ou un incendie.

- **Le joint colle-t-il?** Nettoyer le joint et la surface avec laquelle il est en contact. Frotter en appliquant une fine couche de paraffine sur le joint après le nettoyage.

ASSISTANCE OU SERVICE

Avant de faire un appel pour assistance ou service, veuillez vérifier "Dépannage". Cette vérification peut vous faire économiser le coût d'une visite de service. Si vous avez encore besoin d'aide, suivez les instructions ci-dessous.

Lors d'un appel, veuillez connaître la date d'achat et les numéros de modèle et de série complets de votre appareil. Ces renseignements nous aideront à mieux répondre à votre demande.

Si vous avez besoin de pièces de rechange

Si vous avez besoin de commander des pièces de rechange, nous vous recommandons d'utiliser seulement les pièces de rechange spécifiées par l'usine. Les pièces de rechange spécifiées par l'usine fonctionneront bien parce qu'elles sont fabriquées selon les mêmes spécifications précises utilisées pour fabriquer chaque nouvel appareil Jenn-Air®.

Pour savoir où trouver des pièces de rechange spécifiées par l'usine dans votre région, nous appeler ou contacter le centre de service désigné le plus proche.

Aux États-Unis

Téléphoner au Centre pour l'eXpérience de la clientèle de Jenn-Air sans frais : **1-800-JENNAIR (1-800-536-6247)**.

Nos consultants fournissent de l'assistance pour :

- Caractéristiques et spécifications de notre gamme complète d'appareils ménagers.
- Renseignements d'installation.
- Procédés d'utilisation et d'entretien.
- Vente d'accessoires et de pièces de rechange.
- Assistance spécialisée au client (langue espagnole, malentendants, malvoyants, etc.).
- Les références aux concessionnaires, compagnies de service de réparation et distributeurs de pièces de rechange locaux. Les techniciens de service désignés par Jenn-Air sont formés pour remplir la garantie des produits et fournir un service après garantie partout aux États-Unis.

Pour localiser la compagnie de service désignée par Jenn-Air dans votre région, vous pouvez également consulter les Pages jaunes.

Pour plus d'assistance

Si vous avez besoin de plus d'assistance, vous pouvez écrire à Jenn-Air en soumettant toute question ou problème à :

Jenn-Air Brand Home Appliances
Customer eXperience Center
553 Benson Road
Benton Harbor, MI 49022-2692

Dans votre correspondance, veuillez indiquer un numéro de téléphone où l'on peut vous joindre dans la journée.

Au Canada

Téléphoner sans frais au Centre pour l'eXpérience de la clientèle de Jenn-Air Canada au : **1-800-JENNAIR (1-800-536-6247)**.

Nos consultants fournissent de l'assistance pour :

- Caractéristiques et spécifications de notre gamme complète d'appareils ménagers.
- Procédés d'utilisation et d'entretien.
- Vente d'accessoires et de pièces de rechange.
- Les références aux concessionnaires, compagnies de service de réparation et distributeurs de pièces de rechange locaux. Les techniciens de service désignés par Jenn-Air Canada sont formés pour remplir la garantie des produits et fournir un service après la garantie, partout au Canada.

Pour plus d'assistance

Si vous avez besoin de plus d'assistance, vous pouvez écrire à Jenn-Air Canada en soumettant toute question ou problème à :

Jenn-Air Canada
Customer eXperience Center
200 – 6750 Century Ave.
Mississauga, Ontario L5N 0B7

Dans votre correspondance, veuillez indiquer un numéro de téléphone où l'on peut vous joindre dans la journée.

GARANTIE LIMITÉE DES APPAREILS DE RÉFRIGÉRATION JENN-AIR®

ATTACHEZ ICI VOTRE REÇU DE VENTE. UNE PREUVE D'ACHAT EST OBLIGATOIRE POUR OBTENIR L'APPLICATION DE LA GARANTIE.

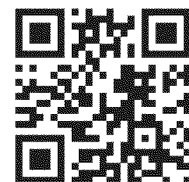
Lorsque vous appelez le centre d'eXpérience de la clientèle, veuillez garder à disposition les renseignements suivants :

- Nom, adresse et numéro de téléphone
- Numéros de modèle et de série
- Une description claire et détaillée du problème rencontré
- Une preuve d'achat incluant le nom et l'adresse du marchand ou du détaillant

SI VOUS AVEZ BESOIN DE SERVICE :

1. Avant de nous contacter pour obtenir un dépannage, veuillez déterminer si des réparations sont nécessaires pour votre produit. Certains problèmes peuvent être résolus sans intervention de dépannage. Prenez quelques minutes pour parcourir la section Dépannage ou Résolution de problèmes du guide d'utilisation et d'entretien, scannez le code QR ci-contre avec votre téléphone intelligent pour accéder à des ressources supplémentaires, ou rendez-vous sur le site <http://www.jennair.ca>.
2. Tout service sous garantie doit être effectué exclusivement par nos fournisseurs de dépannage autorisés Jenn-Air. Aux É.-U. et au Canada, dirigez toutes vos demandes de service sous garantie au

Centre d'eXpérience de la clientèle Jenn-Air
1-800-JENNAIR (1-800-536-6247)



<http://www.jennair.ca>

Si vous résidez à l'extérieur du Canada et des 50 États des États-Unis, contactez votre marchand Jenn-Air autorisé pour déterminer si une autre garantie s'applique.

GARANTIE LIMITÉE DE CINQ ANS

CE QUI EST COUVERT

GARANTIE LIMITÉE DE DEUX ANS

Pendant deux ans à compter de la date d'achat, lorsque ce gros appareil ménager est installé, utilisé et entretenu conformément aux instructions jointes à ou fournies avec le produit, la marque Jenn-Air de Whirlpool Corporation ou Whirlpool Canada LP (ci-après désignées "Jenn-Air") décidera à sa seule discrétion de remplacer le produit ou de couvrir le coût des pièces de remplacement spécifiées par l'usine et de la main-d'œuvre nécessaires pour corriger les vices de matériaux ou de fabrication qui existaient déjà lorsque ce gros appareil ménager a été acheté. S'il est remplacé, votre appareil restera sous garantie pour la durée restant à courir de la période de garantie sur le produit d'origine.

GARANTIE LIMITÉE DE LA TROISIÈME À LA CINQUIÈME ANNÉE INCLUSIVEMENT SUR LA DOUBLURE DE LA CAVITÉ ET SUR LE SYSTÈME DE RÉFRIGÉRATION SCÉLLÉ

De la troisième à la cinquième année inclusivement à compter de la date d'achat initiale, lorsque ce gros appareil ménager est installé, utilisé et entretenu conformément aux instructions jointes au produit ou fournies avec, la marque Jenn-Air paiera pour les pièces de rechange spécifiées par l'usine et la main-d'œuvre concernant les composants suivants pour corriger les défauts non esthétiques de matériau ou de fabrication de ladite pièce qui empêchent le réfrigérateur de fonctionner et qui étaient déjà présents lorsque ce gros appareil ménager a été acheté :

- Doublure de la cavité du réfrigérateur/congélateur si la pièce se fissure en raison d'un vice de matériau ou de fabrication.
- Système de réfrigération scellé (y compris le compresseur, l'évaporateur, le condenseur, le séchoir et les conduits de connexion).

LE SEUL ET EXCLUSIF RECOURS DU CLIENT DANS LE CADRE DE LA PRÉSENTE GARANTIE LIMITÉE CONSISTE EN LA RÉPARATION PRÉVUE PAR LA PRÉSENTE. Le service doit être fourni par une compagnie de service désignée par Jenn-Air. Cette garantie limitée est valide uniquement aux États-Unis ou au Canada et s'applique exclusivement lorsque le gros appareil ménager est utilisé dans le pays où il a été acheté. La présente garantie limitée est valable à compter de la date d'achat initial par le consommateur. Une preuve de la date d'achat initial est exigée pour obtenir un dépannage dans le cadre de la présente garantie limitée.

CE QUI N'EST PAS COUVERT

1. Usage commercial, non résidentiel ou par plusieurs familles, ou non-respect des instructions de l'utilisateur, de l'opérateur ou des instructions d'installation.
2. Visite d'instruction à domicile pour montrer à l'utilisateur comment utiliser l'appareil.
3. Visites de service pour rectifier une installation ou un entretien fautifs du produit, une installation non conforme aux codes d'électricité ou de plomberie, ou la rectification de l'installation électrique ou de la plomberie du domicile (ex : câblage électrique, fusibles ou tuyaux d'arrivée d'eau du domicile).
4. Pièces consommables (ex : ampoules, batteries, filtres à air ou à eau, solutions de conservation, etc.).
5. Défauts ou dommage résultant de l'utilisation de pièces ou accessoires Jenn-Air non authentiques.
6. Dommages causés par : accident, mésusage, abus, incendie, inondations, catastrophe naturelle ou l'utilisation de produits non approuvés par Jenn-Air.
7. Réparations aux pièces ou systèmes dans le but de rectifier un dommage ou des défauts résultant d'une réparation, altération ou modification non autorisée faite à l'appareil.
8. Défauts d'apparence, notamment les éraflures, traces de choc, fissures ou tout autre dommage subi par le fini de l'appareil ménager, à moins que ces dommages ne résultent de vices de matériaux ou de fabrication et ne soient signalés à Jenn-Air dans les 30 jours suivant la date d'achat.
9. Décoloration, rouille ou oxydation des surfaces résultant d'environnements caustiques ou corrosifs incluant des concentrations élevées de sel, un haut degré d'humidité ou une exposition à des produits chimiques (exemples non exhaustifs).
10. Perte d'aliments ou de médicaments due à la défaillance du produit.
11. Enlèvement ou livraison. Ce produit est conçu pour être réparé à l'intérieur du domicile.
12. Frais de déplacement et de transport pour le dépannage/la réparation dans une région éloignée où une compagnie de service Jenn-Air autorisée n'est pas disponible.
13. Retrait ou réinstallation d'appareils inaccessibles ou de dispositifs préinstallés (ex : garnitures, panneaux décoratifs, plancher, meubles, îlots de cuisine, plans de travail, panneaux de gypse, etc.) qui entravent le dépannage, le retrait ou le remplacement du produit.
14. Service et pièces pour des appareils dont les numéros de série et de modèle originaux ont été enlevés, modifiés ou ne peuvent pas être facilement identifiés.

Le coût d'une réparation ou d'un remplacement dans le cadre de ces circonstances exclues est à la charge du client.

CLAUSE D'EXONÉRATION DE RESPONSABILITÉ AU TITRE DES GARANTIES IMPLICITES

LES GARANTIES IMPLICITES, Y COMPRIS LES GARANTIES APPLICABLES DE QUALITÉ MARCHANDE OU D'APTITUDE À UN USAGE PARTICULIER, SONT LIMITÉES À UN AN OU À LA PLUS COURTE PÉRIODE AUTORISÉE PAR LA LOI. Certains États et provinces ne permettent pas de limitation sur la durée des garanties implicites de qualité marchande ou d'aptitude à un usage particulier, de sorte que la limitation ci-dessus peut ne pas être applicable dans votre cas. Cette garantie vous confère des droits juridiques spécifiques et vous pouvez également jouir d'autres droits qui peuvent varier d'une juridiction à l'autre.

EXONÉRATION DE RESPONSABILITÉ DANS LES DOMAINES NON COUVERTS PAR LA GARANTIE

Jenn-Air décline toute responsabilité au titre de la qualité, de la durabilité ou en cas de dépannage ou de réparation nécessaire sur ce gros appareil ménager autre que les responsabilités énoncées dans la présente garantie. Si vous souhaitez une garantie plus étendue ou plus complète que la garantie limitée fournie avec ce gros appareil ménager, adressez-vous à Jenn-Air ou à votre détaillant pour obtenir les modalités d'achat d'une garantie étendue.

LIMITATION DES RECOURS; EXCLUSION DES DOMMAGES FORTUITS OU INDIRECTS

LE SEUL ET EXCLUSIF RECOURS DU CLIENT DANS LE CADRE DE LA PRÉSENTE GARANTIE LIMITÉE CONSISTE EN LA RÉPARATION PRÉVUE PAR LA PRÉSENTE. JENN-AIR N'ASSUME AUCUNE RESPONSABILITÉ POUR LES DOMMAGES FORTUITS OU INDIRECTS. Certains États et certaines provinces ne permettent pas l'exclusion ou la limitation des dommages fortuits ou indirects de sorte que ces limitations et exclusions peuvent ne pas être applicables dans votre cas. Cette garantie vous confère des droits juridiques spécifiques et vous pouvez également jouir d'autres droits qui peuvent varier d'une juridiction à l'autre.

**W10741585A/
8336460127000**

®/™ ©2015 Jenn-Air. Used under license in Canada. All rights reserved.
Usada en Canadá bajo licencia. Todos los derechos reservados.
Utilisé sous licence au Canada. Tous droits réservés.

02/15
Printed in Mexico
Impreso en México
Imprimé au Mexique