

Gas and Electric Dryer Installation Instructions

Instructions d'installation – Sécheuse à gaz et électrique

Table of Contents

DRYER SAFETY	2
INSTALLATION REQUIREMENTS.....	4
Tools and Parts.....	4
LOCATION REQUIREMENTS.....	5
Installation Clearances	5
Dryer Dimensions.....	5
ELECTRICAL REQUIREMENTS - U.S.A. ONLY	6
Grounding Instructions.....	7
ELECTRIC DRYER POWER HOOKUP - CANADA ONLY	7
Electrical Requirements	7
Grounding Instructions.....	7
GAS DRYER POWER HOOKUP - U.S.A. AND CANADA.....	8
Electrical Requirements	8
Grounding Instructions.....	8
Gas Supply Requirements.....	8
Gas Type.....	8
Gas Supply Line.....	8
Gas Supply Connection Requirements	9
Burner Input Requirements.....	9
Dryer Gas Pipe.....	9
INSTALL LEVELING LEGS.....	9
MAKE ELECTRICAL CONNECTION - U.S.A. ONLY	10
Electrical Connection.....	10
Power Supply Cord Connection.....	10
Direct Wire Connection.....	12
MAKE GAS CONNECTION - U.S.A. AND CANADA.....	16
VENTING.....	16
Venting Requirements.....	16
Plan Vent System.....	17
Install Vent System.....	18
CONNECT INLET HOSES.....	18
CONNECT VENT	20
LEVEL DRYER.....	20
COMPLETE INSTALLATION CHECKLIST	21
REVERSE DOOR SWING.....	22

Table des matières

SÉCURITÉ DE LA SÉCHEUSE	26
EXIGENCES D'INSTALLATION	28
Outillage et pièces	28
EXIGENCES D'EMPLACEMENT	29
Distances de dégagement à respecter pour l'installation.....	29
Dimensions de la sécheuse.....	29
RACCORDEMENT DE LA SÉCHEUSE ÉLECTRIQUE – CANADA SEULEMENT	30
Spécifications électriques.....	30
Instructions de liaison à la terre	31
RACCORDEMENT ÉLECTRIQUE DE LA SÉCHEUSE À GAZ - ÉTATS-UNIS ET CANADA.....	31
Spécifications électriques.....	31
Instructions de liaison à la terre	31
Spécifications de l'alimentation en gaz	32
Type de gaz.....	32
Canalisation de gaz.....	32
Spécifications du raccordement de l'alimentation en gaz.....	33
Spécifications de l'alimentation du bruler	33
INSTALLATION DES PIEDS DE NIVELLEMENT	33
RACCORDEMENT AU GAZ - ÉTATS-UNIS ET CANADA	34
L'ÉVACUATION.....	34
Exigences concernant l'évacuation	34
Planification des circuits de conduits	35
Installation du système d'évacuation.....	36
RACCORDEMENT DES TUYAUX D'ALIMENTATION	37
RACCORDEMENT DU SYSTÈME D'ÉVACUATION	38
ÉTABLIR L'APLOMB DE LA SÉCHEUSE.....	39
ACHEVER L'INSTALLATION LISTE DE VÉRIFICATION	39
INVERSION DU SENS D'OUVERTURE DE LA PORTE.....	40

Para obtener acceso al “Instrucciones de instalación” en español, o para obtener información adicional acerca de su producto, visite: www.whirlpool.com
Tenga listo su número de modelo completo. Puede encontrar el número de modelo y de serie dentro de la cavidad superior de la puerta.

INSTALLATION NOTES

Date of purchase: _____
Date of installation: _____
Installer: _____
Model number: _____
Serial number: _____

NOTES CONCERNANT L'INSTALLATION

Date d'achat : _____
Date d'installation : _____
Installateur : _____
Numéro de modèle : _____
Numéro de série : _____

DRYER SAFETY

Your safety and the safety of others are very important.

We have provided many important safety messages in this manual and on your appliance. Always read and obey all safety messages.



This is the safety alert symbol.

This symbol alerts you to potential hazards that can kill or hurt you and others.

All safety messages will follow the safety alert symbol and either the word “DANGER” or “WARNING.”

These words mean:

⚠ DANGER

You can be killed or seriously injured if you don't immediately follow instructions.

⚠ WARNING

You can be killed or seriously injured if you don't follow instructions.

All safety messages will tell you what the potential hazard is, tell you how to reduce the chance of injury, and tell you what can happen if the instructions are not followed.



WARNING - “Risk of Fire”

- Clothes dryer installation must be performed by a qualified installer.
- Install the clothes dryer according to the manufacturer's instructions and local codes.
- Do not install a clothes dryer with flexible plastic venting materials or flexible metal (foil type) duct. If flexible metal duct is installed, it must be of a specific type identified by the appliance manufacturer as suitable for use with clothes dryers. Flexible venting materials are known to collapse, be easily crushed, and trap lint. These conditions will obstruct clothes dryer airflow and increase the risk of fire.
- To reduce the risk of severe injury or death, follow all installation instructions.
- Save these instructions.

IMPORTANT: When discarding or storing your old clothes dryer, remove the door.

WARNING: For your safety, the information in this manual must be followed to minimize the risk of fire or explosion, or to prevent property damage, personal injury, or death.

- Do not store or use gasoline or other flammable vapors and liquids in the vicinity of this or any other appliance.
- **WHAT TO DO IF YOU SMELL GAS:**
 - Do not try to light any appliance.
 - Do not touch any electrical switch; do not use any phone in your building.
 - Clear the room, building, or area of all occupants.
 - Immediately call your gas supplier from a neighbor's phone. Follow the gas supplier's instructions.
 - If you cannot reach your gas supplier, call the fire department.
- Installation and service must be performed by a qualified installer, service agency, or the gas supplier.

WARNING: Gas leaks cannot always be detected by smell.

Gas suppliers recommend that you use a gas detector approved by UL or CSA.

For more information, contact your gas supplier.

If a gas leak is detected, follow the "What to do if you smell gas" instructions.

IMPORTANT: The gas installation must conform with local codes, or in the absence of local codes, with the National Fuel Gas Code, ANSI Z223.1/NFPA 54 or the Canadian Natural Gas and Propane Installation Code, CSA B149.1.

The dryer must be electrically grounded in accordance with local codes, or in the absence of local codes, with the National Electrical Code, ANSI/NFPA 70 or Canadian Electrical Code, CSA C22.1.

In the State of Massachusetts, the following installation instructions apply:

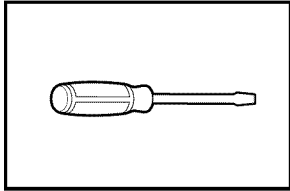
- Installations and repairs must be performed by a qualified or licensed contractor, plumber, or gasfitter qualified or licensed by the State of Massachusetts.
- If using a ball valve, it shall be a T-handle type.
- A flexible gas connector, when used, must not exceed 3 feet.

INSTALLATION REQUIREMENTS

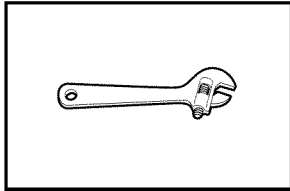
TOOLS AND PARTS

Gather the required tools and parts before starting installation. Read and follow the instructions provided with any tools listed here.

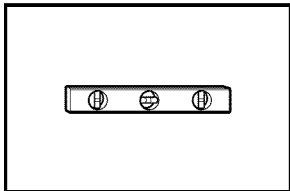
Tools needed for all installations:



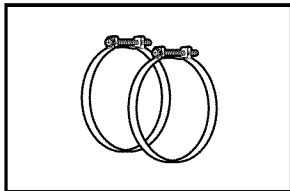
Flat-blade screwdriver



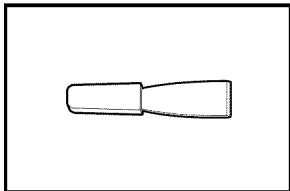
Adjustable wrench that opens to 1" (25 mm) or hex-head socket wrench



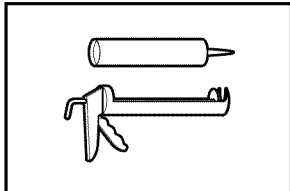
Level



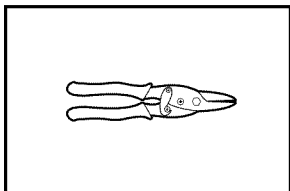
Vent clamps



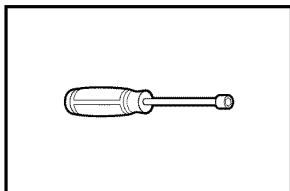
Plastic putty knife



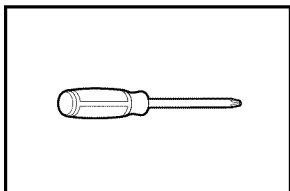
Caulking gun and compound (for installing new exhaust vent)



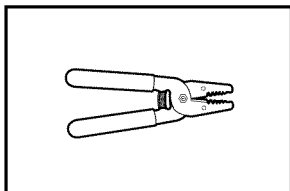
Tin snips (new vent installations)



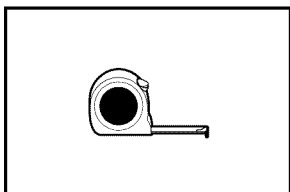
1/4" (6 mm) nut driver (recommended)



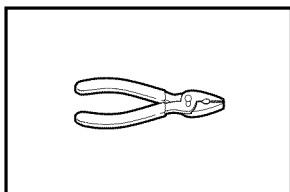
#2 Phillips screwdriver



Wire stripper (direct wire installations)

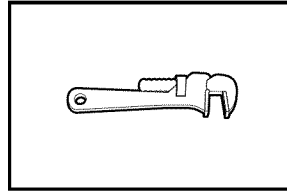


Tape measure

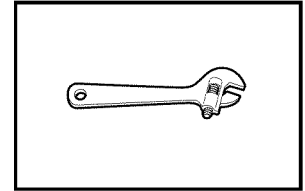


Pliers

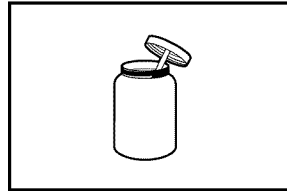
Tools needed for gas installations:



8" (203 mm) or 10" (254 mm) pipe wrench

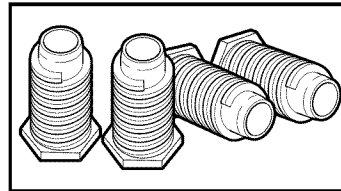


8" (203 mm) or 10" (254 mm) adjustable wrench (for gas connections)



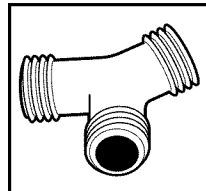
Pipe-joint compound resistant to LP gas

Parts supplied (all models):

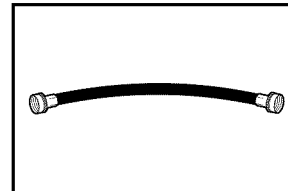


Leveling legs (4)

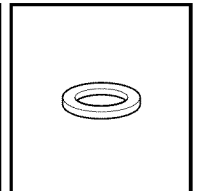
Parts supplied (steam models):



"Y" connector



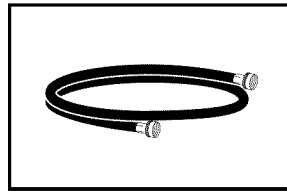
Short inlet hose



Rubber washer (4)

Parts package is located in dryer drum. Check that all parts are included.

Parts needed (steam models):



5' (1.52 m) inlet hose

If using a power supply cord:

Use a UL listed power supply cord kit marked for use with clothes dryers. The kit should contain:

- A UL listed 30-amp power supply cord, rated 120/240 volt minimum, with a temperature rating of 140° F (60° C) minimum. The cord should be type SRD or SRDT and be at least 4 ft. (1.22 m) long. The wires that connect to the dryer must end in ring terminals or spade terminals with upturned ends.
- A UL listed strain relief.


Parts needed: (Not supplied with dryer)

Check local codes. Check existing electrical supply and venting. See “Electrical Requirements” and “Venting Requirements” before purchasing parts.

Mobile home installations require metal exhaust system hardware available for purchase from the dealer from whom you purchased your dryer. For further information, please refer to the “Assistance or Service” section in your “Use and Care Guide.”

LOCATION REQUIREMENTS

⚠ WARNING



Explosion Hazard

Keep flammable materials and vapors, such as gasoline, away from dryer.

Place dryer at least 18 inches (460 mm) above the floor for a garage installation.

Failure to do so can result in death, explosion, or fire.

You will need:

- A location allowing for proper exhaust installation. See “Venting Requirements.”
- A separate 15 or 20-amp circuit needed for gas dryers and 30-amp circuit needed for electric dryers.
- If using power supply cord, a grounded electrical outlet located within 2 ft. (610 mm) of either side of dryer. See “Electrical Requirements.”
- Floor must support dryer weight of 200 lbs. (90.7 kg). Also consider weight of companion appliance.
- Level floor with maximum slope of 1" (25 mm) under entire dryer. If slope is greater than 1" (25 mm), clothes may not tumble properly and automatic sensor cycles may not operate correctly.
- For garage installation, place dryer at least 18" (460 mm) above floor.
- Steam models only: Cold water faucets located within 4 ft. (1.2 m) of the water fill valves, and water pressure of 20-100 psi (137.9-689.6 kPa). You may use the water supply for your washer using the “Y” connector and short hose which are provided.

IMPORTANT: Do not operate, install, or store dryer where it will be exposed to water, weather, or at temperatures below 45° F (7° C). Lower temperatures may cause dryer not to shut off at end of automatic sensor cycles, resulting in longer drying times.

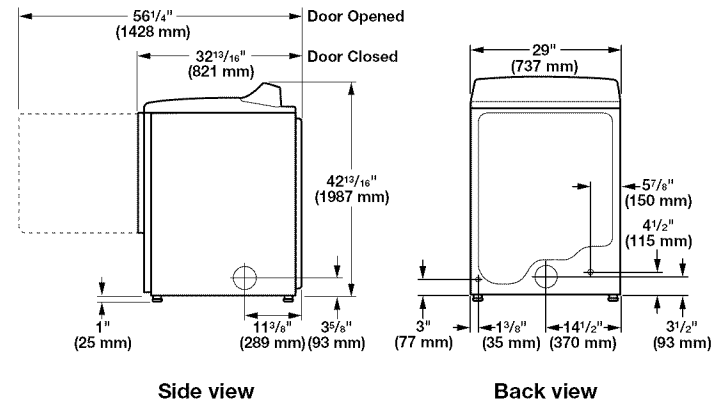
NOTE: No other fuel-burning appliance can be installed in the same closet as a dryer.

INSTALLATION CLEARANCES

For each arrangement, consider allowing more space for ease of installation and servicing, spacing for companion appliances and clearances for walls, doors, and floor moldings. Space must be large enough to allow door to fully open. Add spacing on all sides of dryer to reduce noise transfer. If a closet door or louvered door is installed, top and bottom air openings in door are required.

Check code requirements. Some codes limit, or do not permit, installation of the dryer in garages, closets, mobile homes, or sleeping quarters. Contact your local building inspector.

DRYER DIMENSIONS



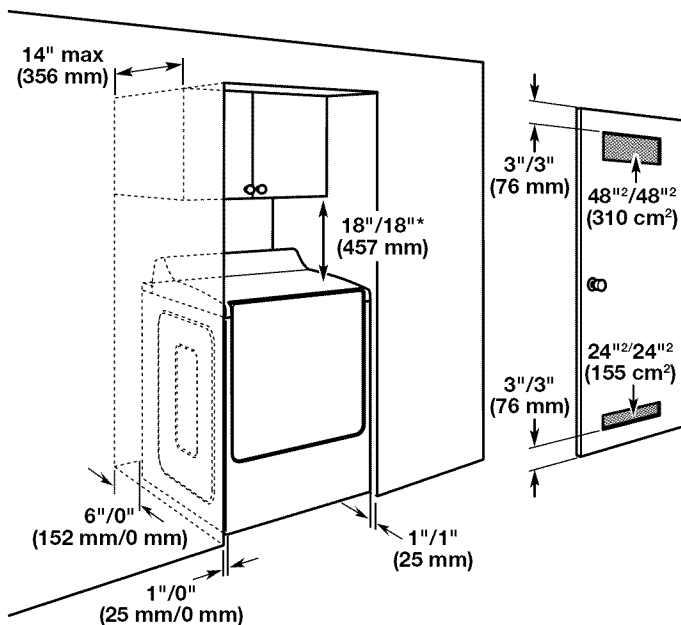
Bottom view:

NOTE: Most installations require a minimum of 6" (152 mm) clearance behind dryer for exhaust vent with elbow. See “Venting Requirements.”

Spacing for recessed area or closet installation

The dimensions shown are for the recommended spacing allowed.

- Additional spacing should be considered for ease of installation and servicing.
- Additional clearances might be required for wall, door, and floor moldings.
- Additional spacing of 1" (25 mm) on all sides of the dryer is recommended to reduce noise transfer.
- For closet installation, with a door, minimum ventilation openings in the top and bottom of the door are required. Louvered doors with equivalent ventilation openings are acceptable.
- Companion appliance spacing should also be considered.



Recommended/Minimum spacing

Mobile home - Additional installation requirements:

This dryer is suitable for mobile home installations. The installation must conform to the Manufactured Home Construction and Safety Standard, Title 24 CFR, Part 3280 (formerly the Federal Standard for Mobile home construction and Safety, Title 24, HUD Part 280) or Standard CAN/CSA-Z240 MH.

Mobile home installations require:

All dryers:

- Metal exhaust system hardware, available for purchase from your dealer. For further information, see "Assistance or Service" section in your "Use and Care Guide."
- Special provisions must be made in mobile homes to introduce outside air into dryer. Openings (such as a nearby window) should be at least twice as large as dryer exhaust opening.

For gas dryers mobile home installations:

- Mobile Home Installation Hold-down Kit Part Number W10432680 is available to order. For further information, see "Assistance or Service" section in your "Use and Care Guide."

ELECTRICAL REQUIREMENTS - U.S.A. ONLY (SPÉCIFICATIONS ÉLECTRIQUES - ÉTATS-UNIS SEULEMENT)

It is your responsibility:

- To contact a qualified electrical installer.
- To be sure that the electrical connection is adequate and in conformance with the National Electrical Code, ANSI/NFPA 70 - latest edition and all local codes and ordinances.

The National Electrical Code requires a 4-wire power supply connection for homes built after 1996, dryer circuits involved in remodeling after 1996, and all mobile home installations.

A copy of the above code standards can be obtained from: National Fire Protection Association, One Batterymarch Park, Quincy, MA 02269.

- To supply the required 3- or 4-wire, single phase, 120/240 volt, 60 Hz, AC only electrical supply (or 3- or 4-wire, 120/208 volt electrical supply, if specified on the serial/rating plate) on a separate 30-amp circuit, fused on both sides of the line. Connect to an individual branch circuit. Do not have a fuse in the neutral or grounding circuit.
- Do not use an extension cord.
- If codes permit and a separate ground wire is used, it is recommended that a qualified electrician determine that the ground path is adequate.

Electrical Connection

To properly install your dryer, you must determine the type of electrical connection you will be using and follow the instructions provided for it here.

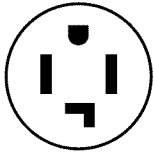
- This dryer is manufactured ready to install with a 3-wire electrical supply connection. The neutral ground conductor is permanently connected to the neutral conductor (white wire) within the dryer. If the dryer is installed with a 4-wire electrical supply connection, the neutral ground conductor must be removed from the external ground connector (green screw), and secured under the neutral terminal (center or white wire) of the terminal block. When the neutral ground conductor is secured under the neutral terminal (center or white wire) of the terminal block, the dryer cabinet is isolated from the neutral conductor.
- If local codes do not permit the connection of a neutral ground wire to the neutral wire, see "Optional 3-wire connection" section.
- A 4-wire power supply connection must be used when the appliance is installed in a location where grounding through the neutral conductor is prohibited. Grounding through the neutral is prohibited for (1) new branch-circuit installations, (2) mobile homes, (3) recreational vehicles, and (4) areas where local codes prohibit grounding through the neutral conductors.

If using a power supply cord:

Use a UL listed power supply cord kit marked for use with clothes dryers. The kit should contain:

- A UL listed 30-amp power supply cord, rated 120/240 volt minimum, with a temperature rating of 140° F (60° C) minimum. The cord should be type SRD or SRDT, and be at least 4 ft. (1.22 m) long. The wires that connect to the dryer must end in ring terminals or spade terminals with upturned ends.
- A UL listed strain relief.

If your outlet looks like this:



4-wire receptacle (14-30R)

Then choose a 4-wire power supply cord with ring or spade terminals and UL listed strain relief. The 4-wire power supply cord, at least 4 ft. (1.22 m) long, must have 4 10-gauge solid copper wires and match a 4-wire receptacle of NEMA Type 14-30 R. The ground wire (ground conductor) may be either green or bare. The neutral conductor must be identified by a white cover.

If your outlet looks like this:



3-wire receptacle (10-30R)

Then choose a 3-wire power supply cord with ring or spade terminals and UL listed strain relief. The 3-wire power supply cord, at least 4 ft. (1.22 m) long, must have 3 10-gauge solid copper wires and match a 3-wire receptacle of NEMA Type 10-30R.

If connecting by direct wire:

Power supply cable must match power supply (4-wire or 3-wire) and be:

- Flexible armored cable or nonmetallic sheathed copper cable (with ground wire), covered with flexible metallic conduit. All current-carrying wires must be insulated.
- 10-gauge solid copper wire (do not use aluminum) at least 5 ft. (1.52 m) long.

GROUNDING INSTRUCTIONS

- For a grounded, cord-connected dryer: This dryer must be grounded. In the event of malfunction or breakdown, grounding will reduce the risk of electric shock by providing a path of least resistance for electric current. This dryer uses a cord having an equipment-grounding conductor and a grounding plug. The plug must be plugged into an appropriate outlet that is properly installed and grounded in accordance with all local codes and ordinances.
- For a permanently connected dryer: This dryer must be connected to a grounded metal, permanent wiring system, or an equipment-grounding conductor must be run with the circuit conductors and connected to the equipment-grounding terminal or lead on the dryer.

WARNING: Improper connection of the equipment-grounding conductor can result in a risk of electric shock. Check with a qualified electrician or service representative or personnel if you are in doubt as to whether the dryer is properly grounded. Do not modify the plug on the power supply cord: if it will not fit the outlet, have a proper outlet installed by a qualified electrician.

SAVE THESE INSTRUCTIONS

ELECTRIC DRYER POWER HOOKUP- CANADA ONLY

ELECTRICAL REQUIREMENTS

⚠ WARNING



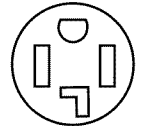
Electrical Shock Hazard

Plug into a grounded 4 prong outlet.

Failure to do so can result in death or electrical shock.

It is your responsibility:

- To contact a qualified electrical installer.
- To be sure that the electrical connection is adequate and in conformance with Canadian Electrical Code, C22.1-latest edition and all local codes. A copy of above codes standard may be obtained from: Canadian Standards Association, 178 Rexdale Blvd., Toronto, ON M9W 1R3 CANADA.
- To supply the required 4-wire, single phase, 120/240 volt, 60 Hz, AC only electrical supply on a separate 30-amp circuit, fused on both sides of the line. A time-delay fuse or circuit breaker is recommended. Connect to an individual branch circuit.
- This dryer is equipped with a CSA International Certified Power Cord intended to be plugged into a standard 14-30R wall receptacle. The cord is 5 ft. (1.52 m) long. Be sure wall receptacle is within reach of dryer's final location.



4-wire receptacle (14-30R)

For further information, please reference service numbers located in "Assistance or Service" section of your "Use and Care Guide."

GROUNDING INSTRUCTIONS

- For a grounded, cord-connected dryer: This dryer must be grounded. In the event of malfunction or breakdown, grounding will reduce the risk of electric shock by providing a path of least resistance for electric current. This dryer is equipped with a cord having an equipment-grounding conductor and a grounding plug. The plug must be plugged into an appropriate outlet that is properly installed and grounded in accordance with all local codes and ordinances.

WARNING: Improper connection of the equipment-grounding conductor can result in a risk of electric shock. Check with a qualified electrician or service representative or personnel if you are in doubt as to whether the dryer is properly grounded. Do not modify the plug provided with the dryer: if it will not fit the outlet, have a proper outlet installed by a qualified electrician.

SAVE THESE INSTRUCTIONS

GAS DRYER POWER HOOKUP - U.S.A. AND CANADA

ELECTRICAL REQUIREMENTS

⚠ WARNING



Electrical Shock Hazard

- **Plug into a grounded 3 prong outlet.**
- **Do not remove ground prong.**
- **Do not use an adapter.**
- **Do not use an extension cord.**
- **Failure to follow these instructions can result in death, fire, or electrical shock.**

- 120 Volt, 60 Hz, AC only, 15- or 20- amp fused electrical supply is required. A time-delay fuse or circuit breaker is recommended. It is also recommended that a separate circuit serving only this dryer be provided.

GROUNDING INSTRUCTIONS

- For a grounded, cord-connected dryer:
This dryer must be grounded. In the event of malfunction or breakdown, grounding will reduce the risk of electric shock by providing a path of least resistance for electric current. This dryer is equipped with a cord having an equipment-grounding conductor and a grounding plug. The plug must be plugged into an appropriate outlet that is properly installed and grounded in accordance with all local codes and ordinances.

WARNING: Improper connection of the equipment-grounding conductor can result in a risk of electric shock. Check with a qualified electrician or service representative or personnel if you are in doubt as to whether the dryer is properly grounded. Do not modify the plug provided with the dryer: if it will not fit the outlet, have a proper outlet installed by a qualified electrician.

SAVE THESE INSTRUCTIONS

GAS SUPPLY REQUIREMENTS

⚠ WARNING



Explosion Hazard

- **Use a new CSA International approved gas supply line.**
- **Install a shut-off valve.**

■ **Securely tighten all gas connections.**

■ **If connected to LP, have a qualified person make sure gas pressure does not exceed 13" (330 mm) water column.**

■ **Examples of a qualified person include:**

■ **licensed heating personnel,
authorized gas company personnel, and
authorized service personnel.**

■ **Failure to do so can result in death, explosion, or fire.**

GAS TYPE

Natural Gas:

This dryer is equipped for use with Natural gas. It is design-certified by CSA International for LP (propane or butane) gases with appropriate conversion.

- Your dryer must have the correct burner for the type of gas in your home. Burner information is located on the rating plate in the door well of your dryer. If this information does not agree with the type of gas available, contact your dealer or call the phone numbers referenced in the "Assistance or Service" section of your "Use and Care Guide."

LP Gas Conversion:

IMPORTANT: Conversion must be made by a qualified technician.

No attempt shall be made to convert the dryer from the gas specified on the model/serial rating plate for use with a different gas without consulting your gas company.

GAS SUPPLY LINE

Option 1 (Recommended Method)

Flexible stainless steel gas connector:

- If local codes permit, use a new flexible stainless steel gas connector (Design Certified by the American Gas Association or CSA International) to connect your dryer to the rigid gas supply line. Use an elbow and a 3/8" flare x 3/8" NPT adapter fitting between the stainless steel gas connector and the dryer gas pipe, as needed to prevent kinking.

Option 2 (Alternate Method)

Approved aluminum or copper tubing

- Must include 1/8" NPT minimum plugged tapping accessible for test gauge connection, immediately upstream of the gas connection to the dryer.
- 1/2" IPS pipe is recommended.
- 3/8" approved aluminum or copper tubing is acceptable for lengths under 20 ft. (6.1 m) if local codes and gas supplier permit.
- If you are using Natural gas, do not use copper tubing.

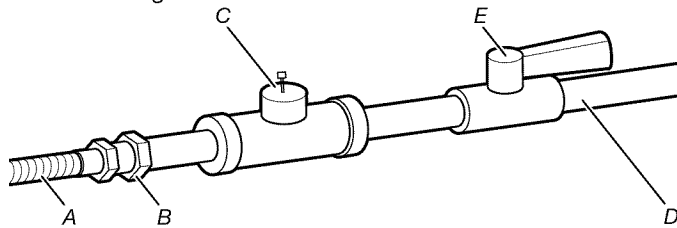
- Lengths over 20 ft. (6.1 m) should use larger tubing and a different size adapter fitting.
- If your dryer has been converted to use LP gas, 3/8" LP compatible copper tubing can be used. If the total length of the supply line is more than 20 ft. (6.1 m), use larger pipe.
NOTE: Pipe-joint compounds that resist the action of LP gas must be used. Do not use TEFLON[®] tape.
- Must include shut-off valve

In the U.S.A.:

An individual manual shut-off valve must be installed within six (6) ft. (1.8 m) of the dryer in accordance with the National Fuel Gas Code, ANSI Z223.1. The location should be easy to reach for opening and closing.

In Canada:

An individual manual shut-off valve must be installed in accordance with the B149.1, Natural Gas and Propane Installation Code. It is recommended that an individual manual shutoff valve be installed within six (6) ft. (1.8 m) of the dryer. The location should be easy to reach for opening and closing.



- A. 3/8" flexible gas connector
- B. 3/8" pipe to flare adapter fitting
- C. 1/8" NPT minimum plugged tapping
- D. 1/2" NPT gas supply line
- E. Gas shutoff valve.

GAS SUPPLY CONNECTION REQUIREMENTS

- Use an elbow and a 3/8" flare x 3/8" NPT adapter fitting between the flexible gas connector and the dryer gas pipe, as needed to avoid kinking.
- Use only pipe-joint compound. Do not use TEFLON[®] tape.
- This dryer must be connected to the gas supply line with a listed flexible gas connector that complies with the standard for connectors for gas appliances, ANSI Z21.24 or CSA 6.10.

BURNER INPUT REQUIREMENTS

Elevations above 2,000 ft. (610 m):

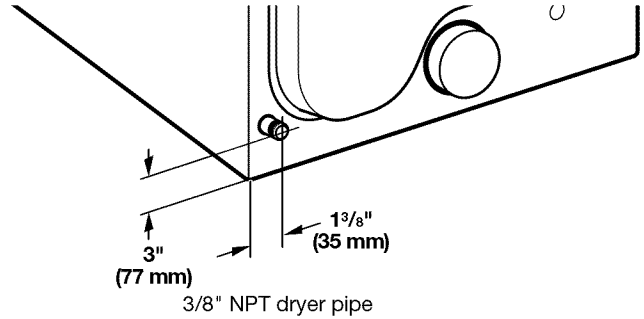
- When installed above 2,000 ft. (610 m) a 4% reduction of the burner Btu rating shown on the model/serial number plate is required for each 1,000 ft. (305 m) increase in elevation.

Gas supply pressure testing

- The dryer must be disconnected from the gas supply piping system during pressure testing at pressures greater than 1/2 psi.

DRYER GAS PIPE

- The gas pipe that comes out through the rear of your dryer has a 3/8" male pipe thread.



NOTE: For a garage installation, the gas pipe height must be an additional 18" (460 mm) from the floor.

INSTALL LEVELING LEGS

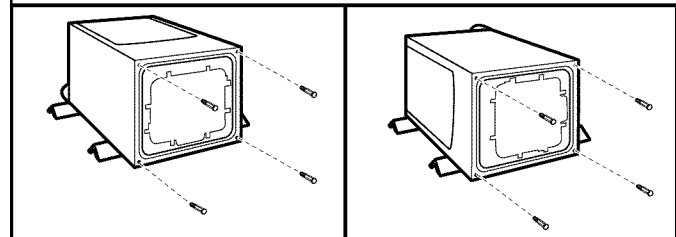
⚠ WARNING

Excessive Weight Hazard

Use two or more people to move and install dryer.

Failure to do so can result in back or other injury.

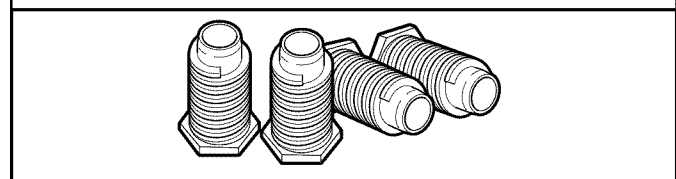
1. Prepare dryer for leveling legs



Firmly grasp dryer body (not console panel) and gently lay dryer down on back cardboard corner posts.

IMPORTANT: If laying dryer on its back, use the cardboard corner posts the dryer was packed with to avoid damaging the back of the dryer.

2. Screw in leveling legs



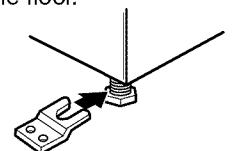
Using a wrench and tape measure, screw leveling legs into leg holes until bottom of foot is approximately 1" (25 mm) from bottom of dryer.

Now stand the dryer on its feet. Slide the dryer until it is close to its final location. Leave enough room to connect the exhaust vent.

For mobile home use

Gas dryers must be securely fastened to the floor.

Mobile home installations require a Mobile Home Installation Hold-down Kit. For ordering information please reference the "Use and Care Guide."



†TEFLON is a registered trademark of E.I. Dupont De Nemours and Company.

MAKE ELECTRICAL CONNECTION - U.S.A. ONLY (EFFECTUER LE RACCORDEMENT ÉLECTRIQUE - ÉTATS-UNIS SEULEMENT)

ELECTRICAL CONNECTION

Power Supply Cord

⚠ WARNING



Fire Hazard

Use a new UL listed 30 amp power supply cord.

Use a UL listed strain relief.

Disconnect power before making electrical connections.

Connect neutral wire (white or center wire) to center terminal (silver).

Ground wire (green or bare wire) must be connected to green ground connector.

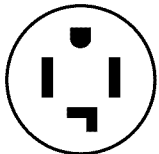
Connect remaining 2 supply wires to remaining 2 terminals (gold).

Securely tighten all electrical connections.

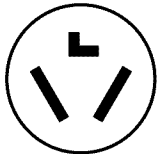
Failure to do so can result in death, fire, or electrical shock.

Electrical Connection Options

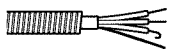
1. Choose electrical connection type



Power supply cord 4-wire receptacle (NEMA Type 14-30R):
Go to Power Supply Cord Connection.



Power supply cord 3-wire receptacle (NEMA Type 10-30R):
Go to Power Supply Cord Connection.



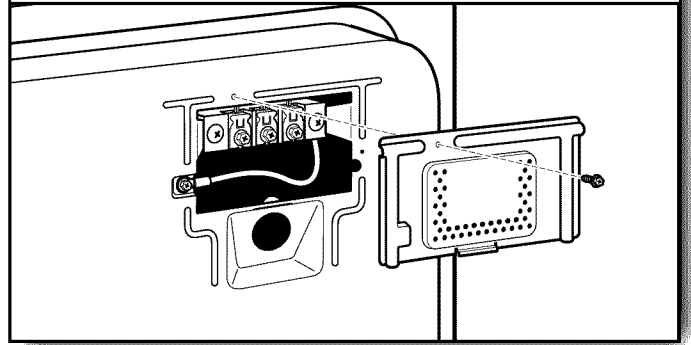
4-wire direct connection:
Go to Direct Wire Connection.



3-wire direct connection:
Go to Direct Wire Connection.

NOTE: If local codes do not permit connection of a cabinet-ground conductor to neutral wire, go to "Optional 3-wire connection." This connection may be used with either a power supply cord or a direct wire connection.

2. Remove terminal block cover

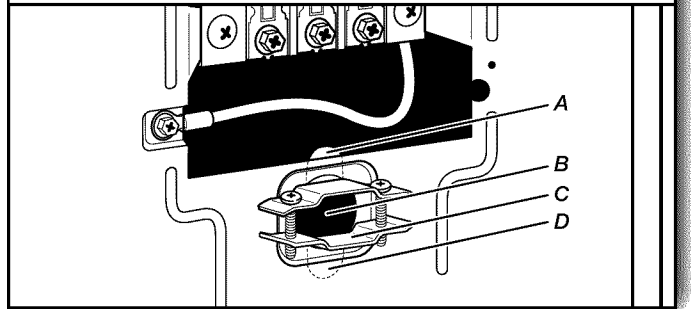


Remove hold-down screw and terminal block cover.

POWER SUPPLY CORD CONNECTION

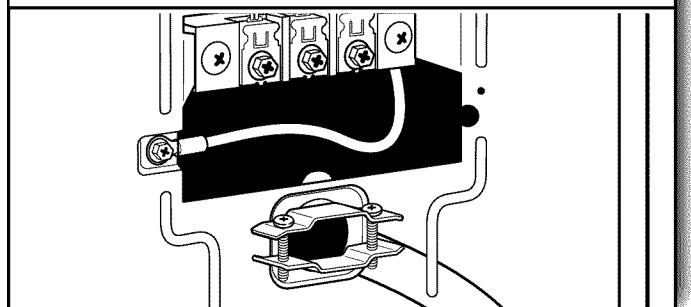
Power Supply Cord Strain Relief

1. Attach power supply cord strain relief



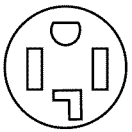
Remove the screws from a 3/4" (19 mm) UL listed strain relief (UL marking on strain relief). Put the tabs of the two clamp sections (C) into the hole below the terminal block opening (B) so that one tab is pointing up (A) and the other is pointing down (D), and hold in place. Tighten strain relief screws just enough to hold the two clamp sections (C) together.

2. Attach power supply cord to strain relief

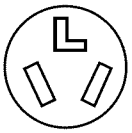


Put power supply cord through the strain relief. Be sure that the wire insulation on the power supply cord is inside the strain relief. The strain relief should have a tight fit with the dryer cabinet and be in a horizontal position. Do not further tighten strain relief screws at this point.

If your outlet looks like this:



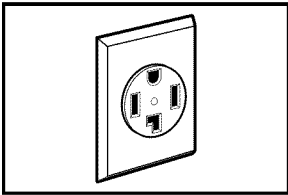
Power supply cord 4-wire receptacle (NEMA Type 14-30R): Go to "4-Wire Power Supply Cord Connection".



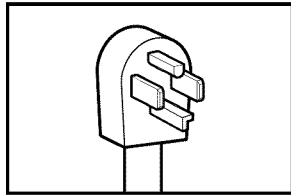
Power supply cord 3-wire receptacle (NEMA Type 10-30R): Go to "3-Wire Power Supply Cord Connection".

4-wire Power Supply Cord Connection

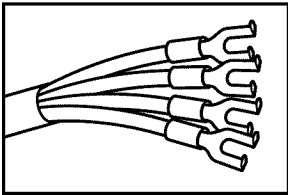
IMPORTANT: A 4-wire connection is required for mobile homes and where local codes do not permit the use of 3-wire connections.



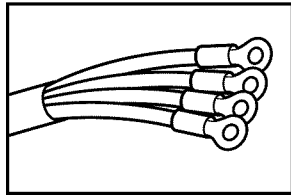
4-wire receptacle (NEMA type 14-30R)



4-prong plug

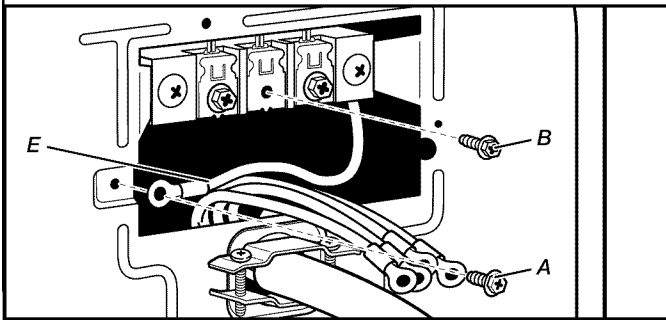


Spade terminals with upturned ends



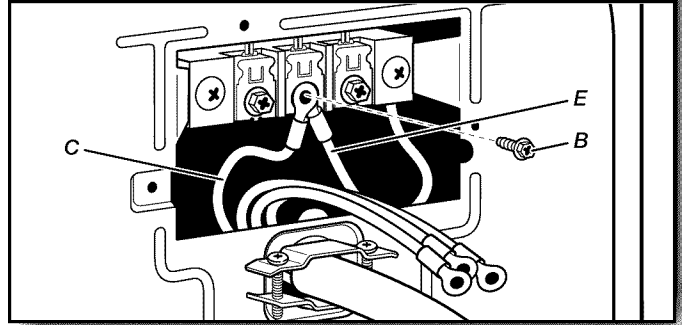
Ring terminals

1. Prepare to connect neutral ground wire and neutral wire



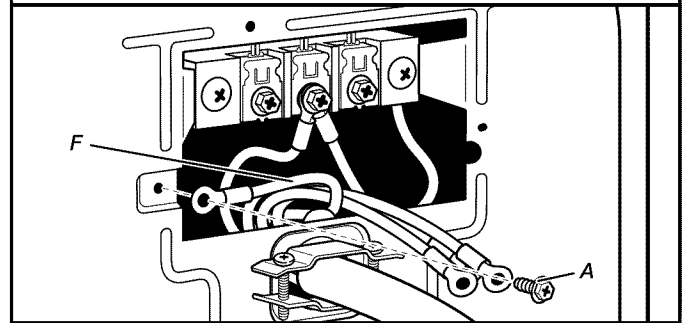
Remove center terminal block screw (B). Remove neutral ground wire (E) from external ground conductor screw (A). Reinstall ground conductor screw (A).

2. Connect neutral ground wire and neutral wire



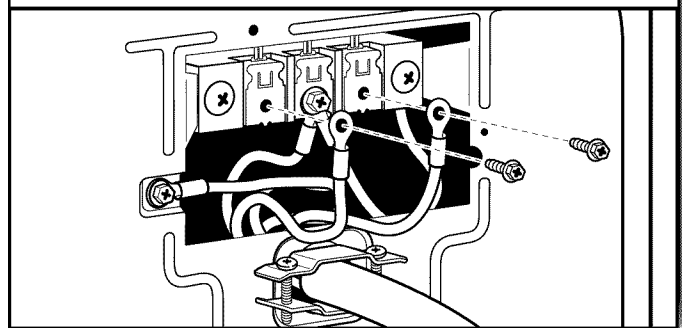
Connect neutral ground wire (E) and neutral wire (white) (C) of power supply cord under center terminal block screw (B). Tighten screw.

3. Connect ground wire



Connect ground wire (F) (green or bare) of power supply cord to external ground conductor screw (A). Tighten screw.

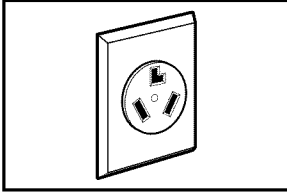
4. Connect remaining wires



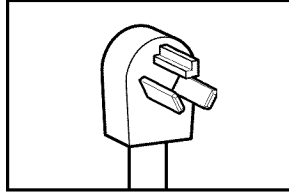
Connect remaining wires to outer terminal block screws. Tighten screws. Finally, reinsert tab of terminal block cover into slot of dryer rear panel. Secure cover with hold-down screw. Now, go to "Venting Requirements."

3-wire Power Supply Cord Connection

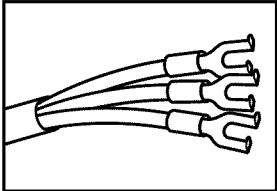
Use where local codes permit connecting cabinet-ground conductor to neutral wire.



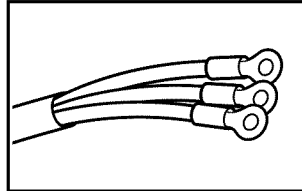
3-wire receptacle (NEMA type 10-30R)



3-prong plug

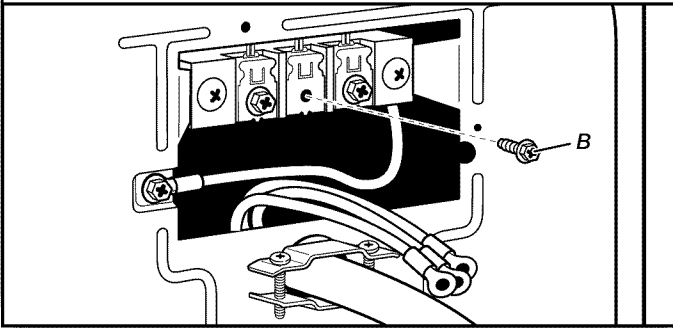


Spade terminals with upturned ends



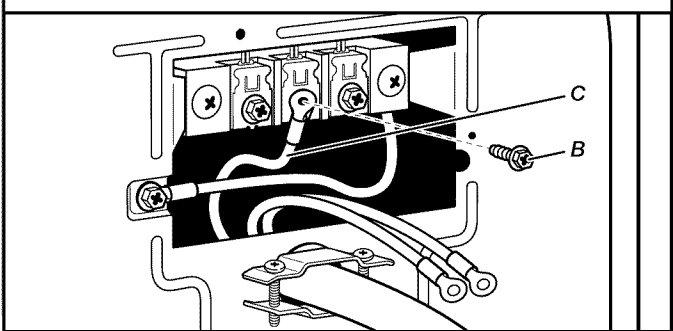
Ring terminals

1. Remove center screw



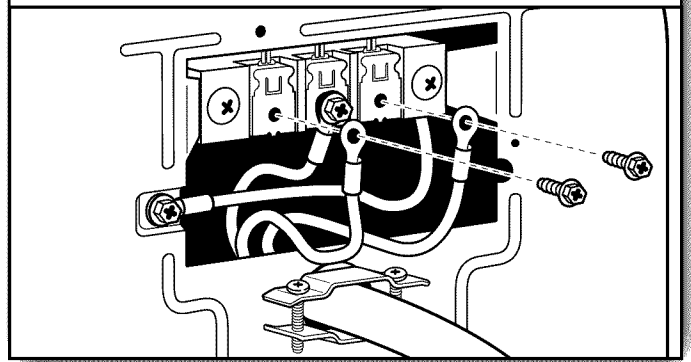
Remove center terminal block screw (B).

2. Connect neutral wire



Connect neutral wire (white or center) (C) of power supply cord to center terminal block screw (B). Tighten screw.

3. Connect remaining wires



Connect remaining wires to outer terminal block screws. Tighten screws. Finally, reinsert tab of terminal block cover into slot of dryer rear panel. Secure cover with hold-down screw. Now, go to "Venting Requirements."

DIRECT WIRE CONNECTION

⚠ WARNING



Fire Hazard

Use 10 gauge copper wire.

Use a UL listed strain relief.

Disconnect power before making electrical connections.

Connect neutral wire (white or center wire) to center terminal (silver).

Ground wire (green or bare wire) must be connected to green ground connector.

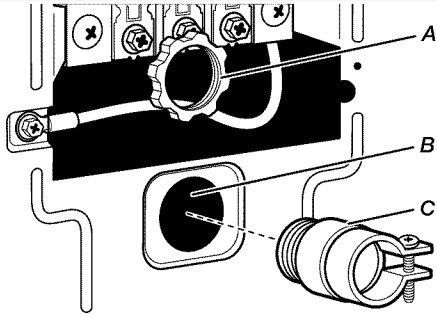
Connect remaining 2 supply wires to remaining 2 terminals (gold).

Securely tighten all electrical connections.

Failure to do so can result in death, fire, or electrical shock.

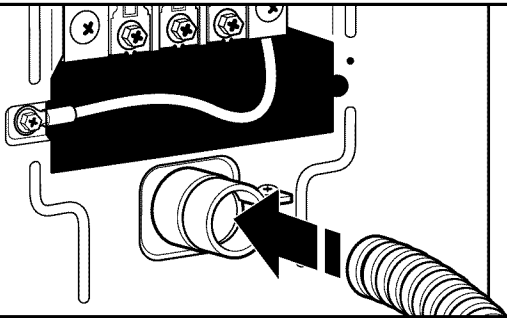
Direct Wire Strain Relief

1. Attach direct wire strain relief



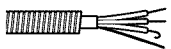
Unscrew the removable conduit connector (A) and any screws from a 3/4" (19 mm) UL listed strain relief (UL marking on strain relief). Put the threaded section of the strain relief (C) through the hole below the terminal block opening (B). Reaching inside the terminal block opening, screw the removable conduit connector (A) onto the strain relief threads.

2. Attach direct wire cable to strain relief



Put direct wire cable through the strain relief. The strain relief should have a tight fit with the dryer cabinet and be in a horizontal position. Tighten strain relief screw against the direct wire cable.

If your wiring looks like this:



4-wire direct connection:
Go to "4-Wire Direct Connection" on this page.

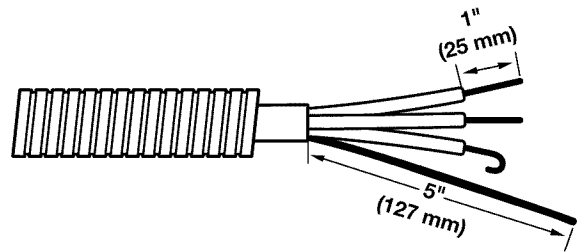


3-wire direct connection:
Go to "3-Wire Direct Connection" on page 11.

4-wire Direct Wire Connection

IMPORTANT: A 4-wire connection is required for mobile homes and where local codes do not permit 3-wire connections.

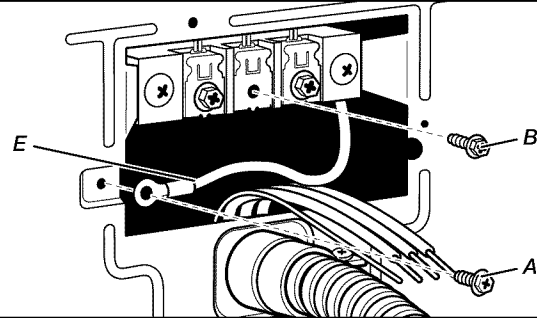
1. Prepare your 4-wire cable for direct connection



Direct wire cable must have 5 ft. (1.52 m) of extra length so dryer may be moved if needed.

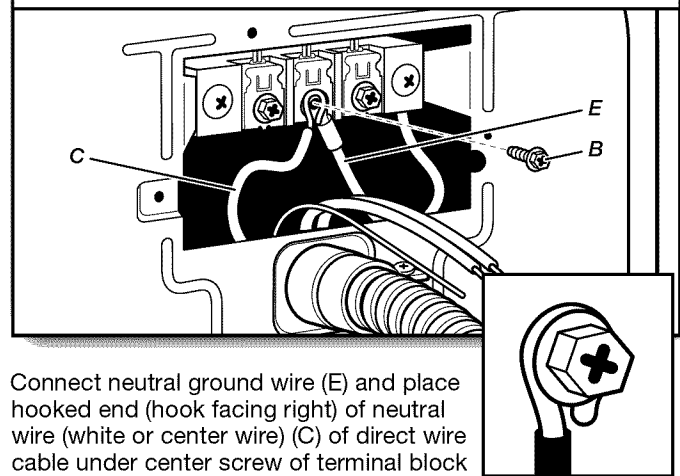
Strip 5" (127 mm) of outer covering from end of cable, leaving bare ground wire at 5" (127 mm). Cut 1 1/2" (38 mm) from remaining 3 wires. Strip insulation back 1" (25 mm). Shape ends of wires into hooks.

2. Prepare to connect neutral ground wire and neutral wire



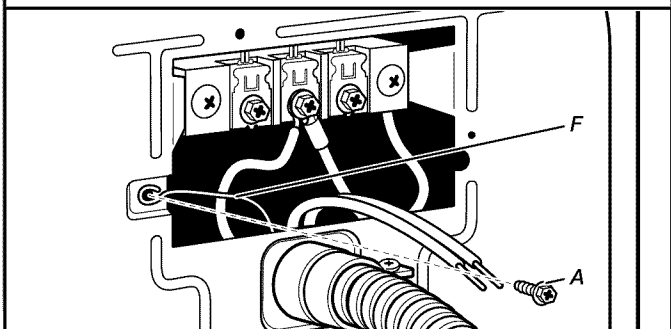
Remove center terminal block screw (B). Remove neutral ground wire (E) from external ground conductor screw (A).

3. Connect neutral ground wire and neutral wire



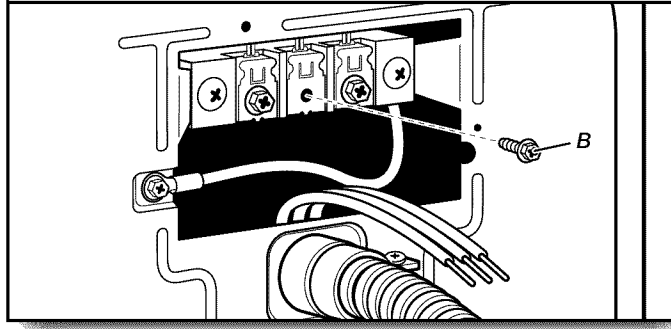
Connect neutral ground wire (E) and place hooked end (hook facing right) of neutral wire (white or center wire) (C) of direct wire cable under center screw of terminal block (B). Squeeze hooked ends together and tighten screw.

4. Connect ground wire



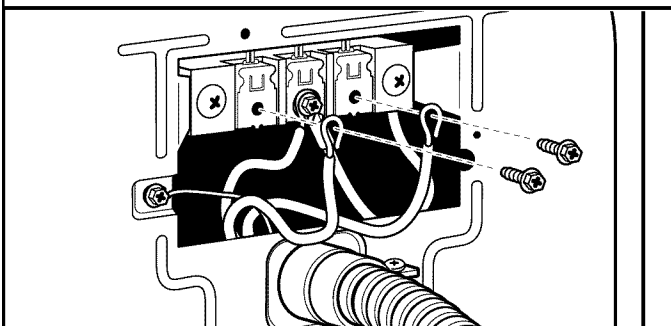
Connect ground wire (green or bare) (F) of direct wire cable to external ground conductor screw (A). Tighten screw.

2. Remove center screw



Remove center terminal block screw (B).

5. Connect remaining wires

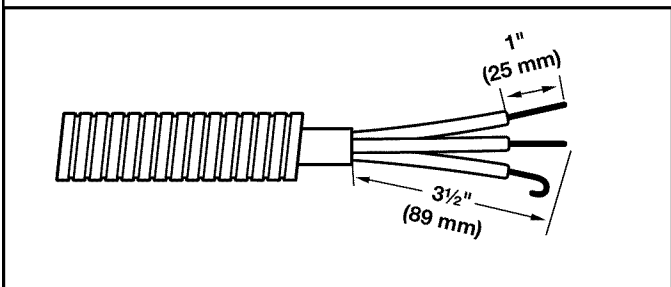


Place hooked ends of remaining direct wire cable wires under outer terminal block screws (hooks facing right). Squeeze hooked ends together and tighten screws. Finally, reinsert tab of terminal block cover into slot of dryer rear panel. Secure cover with hold-down screw. Now, go to "Venting Requirements."

3-wire Direct Wire Connection

Use where local codes permit connecting cabinet-ground conductor to neutral wire.

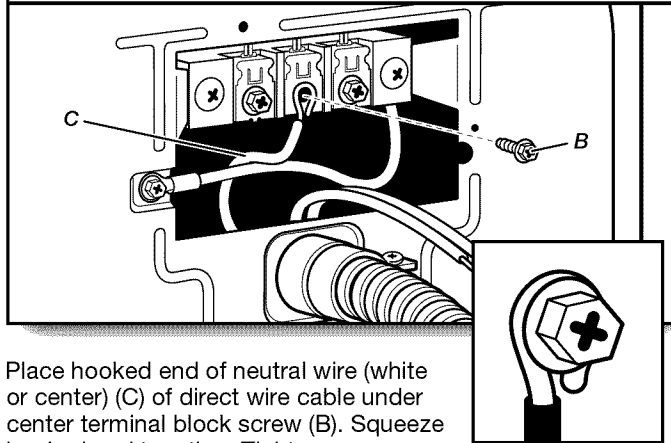
1. Prepare your 3-wire cable for direct connection



Direct wire cable must have 5 ft. (1.52 m) of extra length so dryer may be moved if needed.

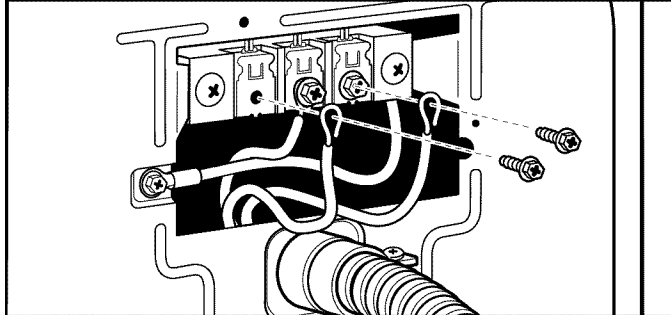
Strip 3 1/2" (89 mm) of outer covering from end of cable. Strip insulation back 1" (25 mm). If using 3-wire cable with ground wire, cut bare wire even with outer covering. Shape wire ends into hooks.

3. Connect neutral wire



Place hooked end of neutral wire (white or center) (C) of direct wire cable under center terminal block screw (B). Squeeze hooked end together. Tighten screw.

4. Connect remaining wires

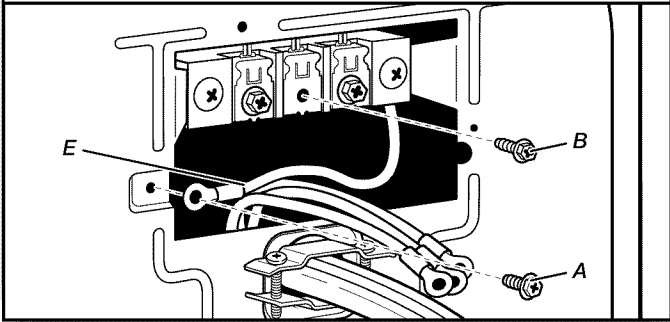


Place hooked ends of remaining direct wire cable wires under outer terminal block screws (hooks facing right). Squeeze hooked ends together and tighten screws. Finally, reinsert tab of terminal block cover into slot of dryer rear panel. Secure cover with hold-down screw. Now, go to "Venting Requirements."

Optional 3-wire Connection

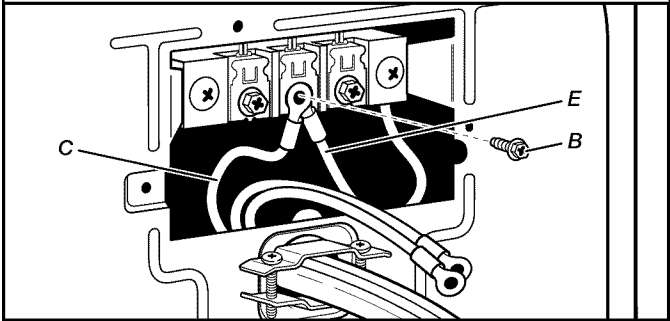
You must verify with a qualified electrician that this grounding method is acceptable before connecting.

1. Prepare to connect neutral ground wire and neutral wire



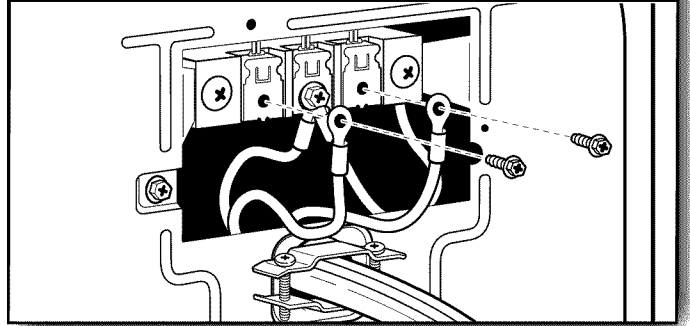
Remove center terminal block screw (B). Remove neutral ground wire (E) from external ground conductor screw (A).

2. Connect neutral ground wire and neutral wire



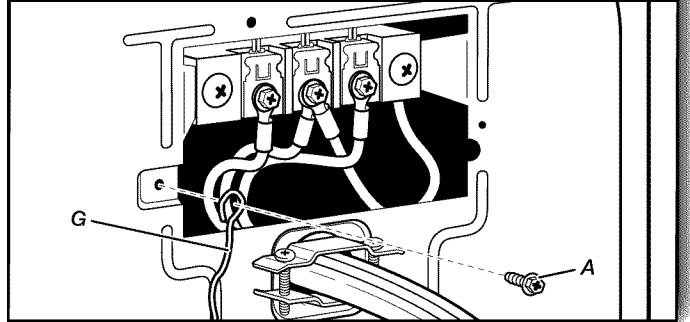
Connect neutral ground wire (E) and neutral wire (white or center wire) (C) of power supply cord or cable under center terminal block screw (B). Tighten screw.

3. Connect remaining wires



Connect remaining wires to outer terminal block screws. Tighten screws.

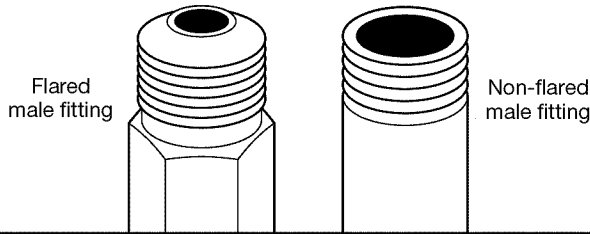
4. Connect external ground wire



Connect a separate copper ground wire (G) from the external ground conductor screw (A) to an adequate ground. Finally, reinsert tab of terminal block cover into slot of dryer rear panel. Secure cover with hold-down screw. Now, go to "Venting Requirements."

MAKE GAS CONNECTION - U.S.A. AND CANADA

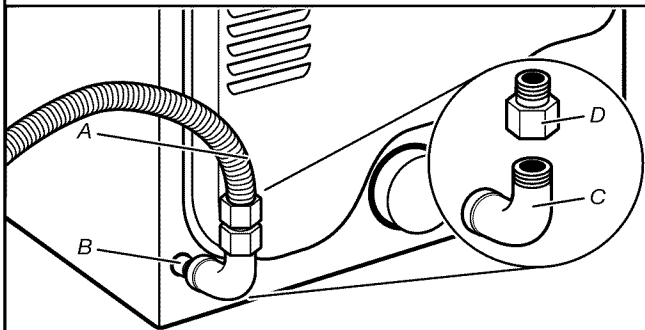
1. Connect gas supply to dryer



Remove red cap from gas pipe. Using a wrench to tighten, connect gas supply to dryer. Use pipe-joint compound on threads of all non-flared male fittings. If flexible metal tubing is used, be sure there are no kinks.

NOTE: For LP gas connections, you must use pipe-joint compound resistant to action of LP gas. Do not use TEFLON®† tape.

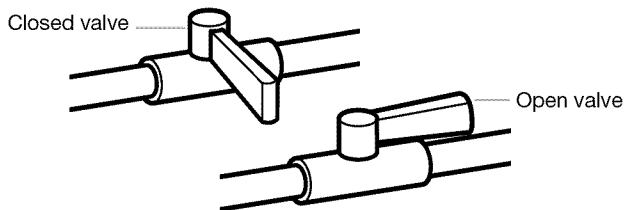
2. Plan pipe fitting connection



- A. 3/8" flexible gas connector
- B. 3/8" dryer pipe
- C. 3/8" to 3/8" pipe elbow
- D. 3/8" pipe-to-flare adapter fitting

A combination of pipe fittings must be used to connect dryer to existing gas line. A recommended connection is shown. Your connection may be different, according to supply line type, size, and location.

3. Open shut-off valve



Open shut-off valve in supply line; valve is open when handle is parallel to gas pipe. Then, test all connections by brushing on an approved noncorrosive leak-detection solution. Bubbles will show a leak. Correct any leaks found.

VENTING

VENTING REQUIREMENTS

⚠ WARNING

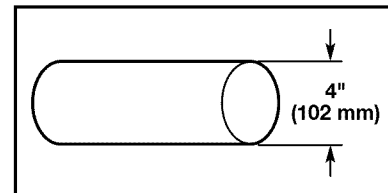


Fire Hazard

- Use a heavy metal vent.
- Do not use a plastic vent.
- Do not use a metal foil vent.
- Failure to follow these instructions can result in death or fire.

WARNING: To reduce the risk of fire, this dryer MUST BE EXHAUSTED OUTDOORS.

IMPORTANT: Observe all governing codes and ordinances. Dryer exhaust must not be connected into any gas vent, chimney, wall, ceiling, attic, crawlspace, or a concealed space of a building. Only rigid or flexible metal vent shall be used for exhausting.



4" (102 mm) heavy metal exhaust vent

- Only a 4" (102 mm) heavy metal exhaust vent and clamps may be used.
- Do not use plastic or metal foil vent.

Rigid metal vent:

- Recommended for best drying performance and to avoid crushing and kinking.

Flexible metal vent: (Acceptable only if accessible to clean)

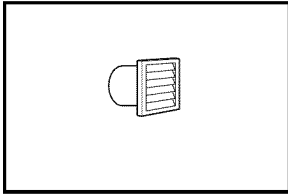
- Must be fully extended and supported in final dryer location.
- Remove excess to avoid sagging and kinking that may result in reduced airflow and poor performance.
- Do not install in enclosed walls, ceilings, or floors.
- The total length should not exceed 7³/₄ ft. (2.4 m).
- The length of flexible metal vent used must be included in the overall vent system design as shown in the "Vent System Charts."

NOTE: If using an existing vent system, clean lint from entire length of the system and make sure exhaust hood is not plugged with lint. Replace plastic or metal foil vents with rigid metal or flexible metal vents. Review Vent System Chart and if necessary, modify existing vent system to achieve best drying performance.

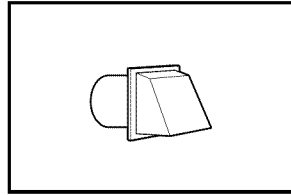
Exhaust hoods:

- Must be at least 12" (305 mm) from ground or any object that may obstruct exhaust (such as flowers, rocks, bushes, or snow).

Recommended Styles:

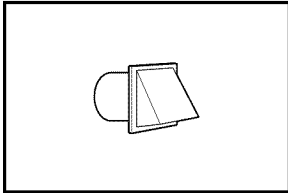


Louvered Hood



Box Hood

Acceptable Style:

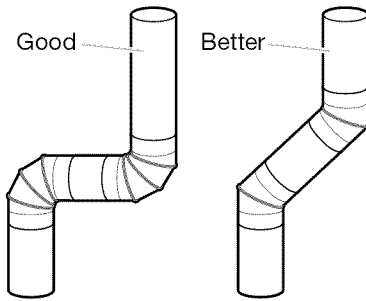


Angled Hood

Elbows:

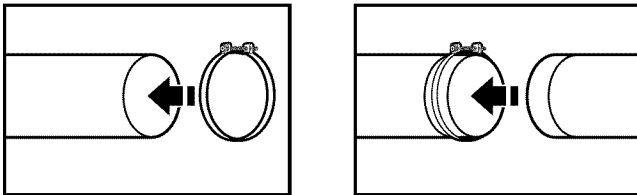
- 45° elbows provide better airflow than 90° elbows.

Recommended Styles:



Clamps:

- Use clamps to seal all joints.
- Exhaust vent must not be connected or secured with screws or other fastening devices that extend into interior of duct and catch lint. Do not use duct tape.



Improper venting can cause moisture and lint to collect indoors, which may result in:

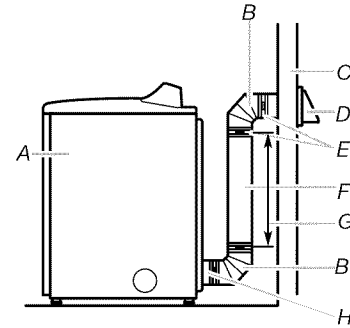
- Moisture damage to woodwork, furniture, paint, wallpaper, carpets, etc.
- Housecleaning problems and health problems.

Vent products can be purchased from your dealer. For more information, see "Assistance or Service" section in your "Use and Care Guide."

PLAN VENT SYSTEM

Recommended exhaust installations

Typical installations vent the dryer from the rear of the dryer. Other installations are possible.



- A. Dryer
- B. Elbow
- C. Wall
- D. Exhaust hood
- E. Clamps
- F. Rigid metal or flexible metal vent
- G. Vent length necessary to connect elbows
- H. Exhaust outlet

Optional exhaust installations:

⚠ WARNING

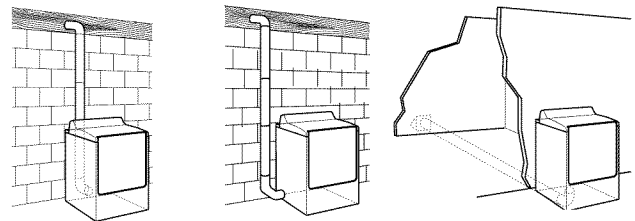
Fire Hazard

Cover unused exhaust holes with a manufacturer's exhaust cover kit.

Contact your local dealer.

Failure to follow these instructions can result in death, fire, electrical shock, or serious injury.

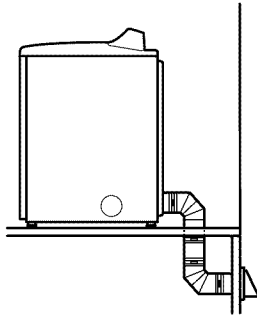
If you prefer, dryer may be converted to exhaust through the bottom and sides. You must contact your local dealer to have dryer converted.



- A. Standard rear offset exhaust installation
- B. Left- or right-side exhaust installation
- C. Bottom exhaust installation

Special provisions for mobile homes:

Exhaust vent must be securely fastened to a noncombustible portion of mobile home and must not terminate beneath the mobile home. Terminate exhaust vent outside.



Mobile Home Exhaust installation

Determine vent path:

- Select route that will provide straightest and most direct path outdoors.
- Plan installation to use fewest number of elbows and turns.
- When using elbows or making turns, allow as much room as possible.
- Bend vent gradually to avoid kinking.
- Use as few 90° turns as possible.

Determine vent length and elbows needed for best drying performance:

- Use following Vent System Chart to determine type of vent material and hood combinations acceptable to use.

NOTE: Do not use vent runs longer than those specified in Vent System Chart. Exhaust systems longer than those specified will:

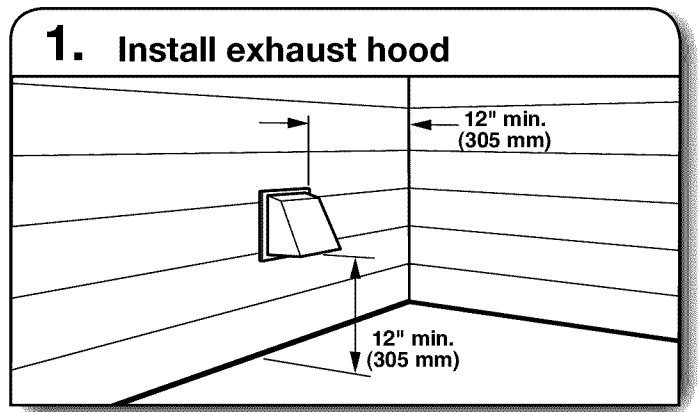
- Shorten life of dryer.
- Reduce performance, resulting in longer drying times and increased energy usage.

The Vent System Charts provide venting requirements that will help achieve best drying performance.

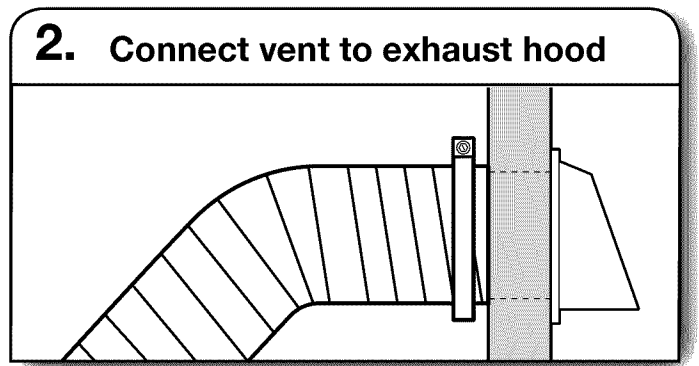
Vent System Chart		
Number of 90° elbows	Type of vent	Angled hoods
0	Rigid metal	64 ft. (20 m)
1	Rigid metal	54 ft. (16.5 m)
2	Rigid metal	44 ft. (13.4 m)
3	Rigid metal	35 ft. (10.7 m)
4	Rigid metal	27 ft. (8.2 m)

NOTE: Bottom exhaust installations have a 90° turn inside the dryer. To determine maximum exhaust length, add one 90° turn to the charts.

INSTALL VENT SYSTEM



Install exhaust hood and use caulking compound to seal exterior wall opening around exhaust hood.

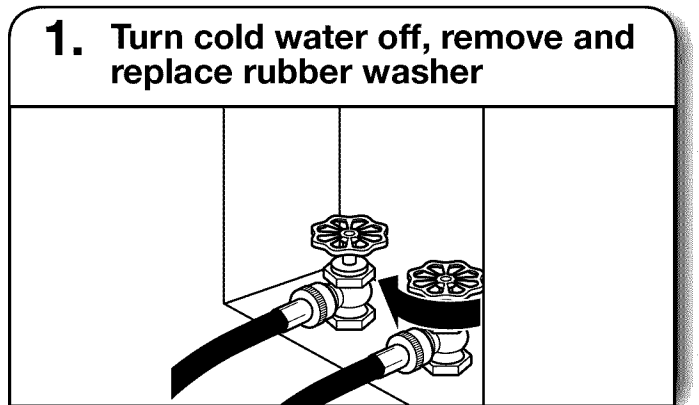


Vent must fit over the exhaust hood. Secure vent to exhaust hood with 4" (102 mm) clamp. Run vent to dryer location using straightest path possible. Avoid 90° turns. Use clamps to seal all joints. Do not use duct tape, screws, or other fastening devices that extend into interior of vent to secure vent, because they can catch lint.

CONNECT INLET HOSES

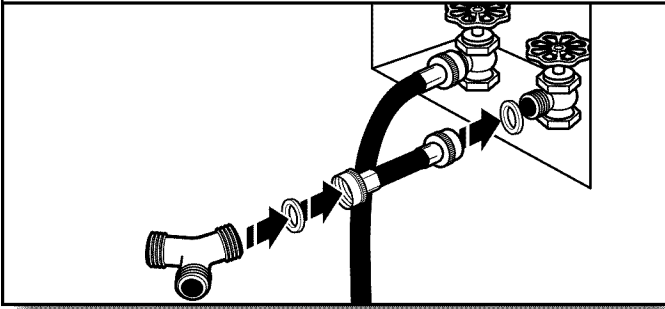
For non-steam models, skip to "Connect Vent."

The dryer must be connected to the cold water faucet using the new inlet hoses. Do not use old hoses.



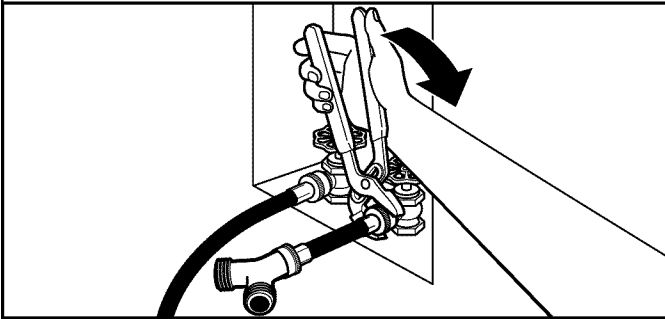
Turn cold water faucet off and remove washer inlet hose. Remove old rubber washer from inlet hose and replace with new rubber washer.

2. Attach short hose and "Y" connector



Attach 2 ft (0.6 m) inlet hose to cold water faucet. Screw on coupling by hand until it is seated on faucet. Then attach "Y" connector to male end of the 2 ft (0.6 m) inlet hose. Screw on coupling by hand until it is seated on connector.

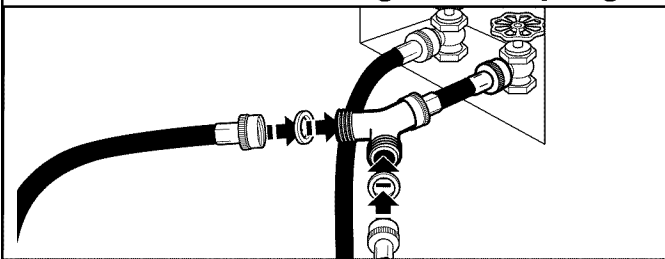
3. Tighten couplings



Using pliers, tighten the couplings with additional two-thirds turn.

NOTE: Do not overtighten. Damage to the coupling can result.

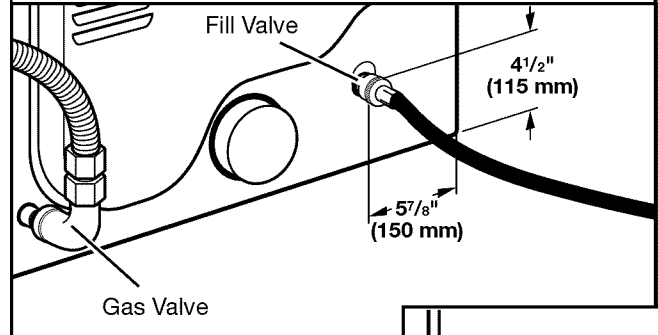
4. Attach long hose to "Y" connector and tighten couplings



Attach dryer 5 ft (1.5 m) inlet hose ends to the "Y" connector. Attach washer cold inlet hose to other side of "Y" connector. Screw on coupling by hand until it is seated on connector. Using pliers, tighten the couplings an additional two-thirds turn.

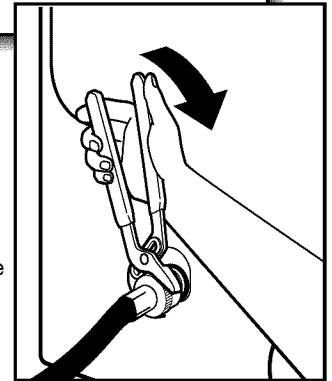
NOTE: Do not overtighten. Damage to the coupling can result.

5. Attach long hose to dryer fill valve and tighten coupling

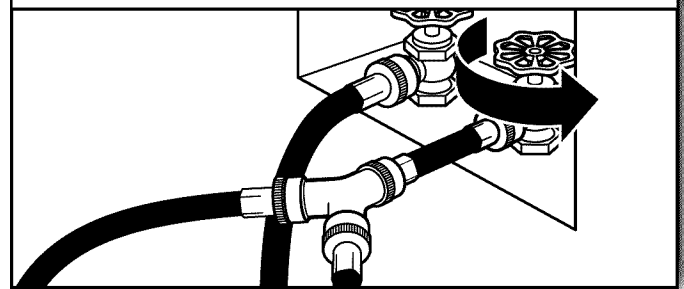


Attach other end of long hose to fill valve at bottom of dryer back panel. Screw on coupling by hand until it is seated on fill valve connector. Using pliers, tighten the couplings an additional two-thirds turn.

NOTE: Do not overtighten. Damage to the coupling can result.

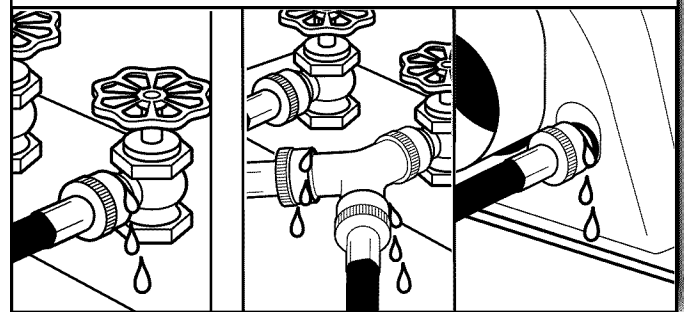


6. Turn on cold water faucet



Check that the water faucet is turned on.

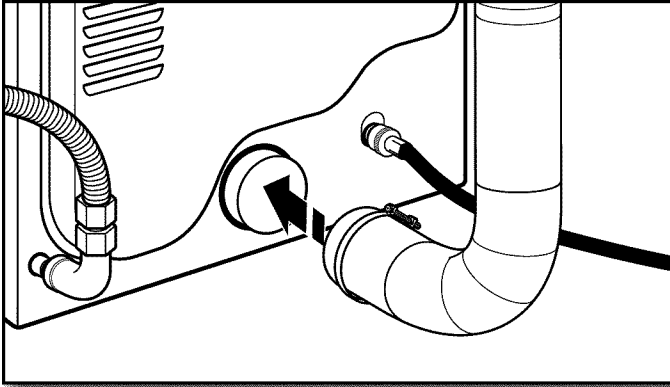
7. Check for leaks



Check for leaks around "Y" connector, faucets, and hoses.

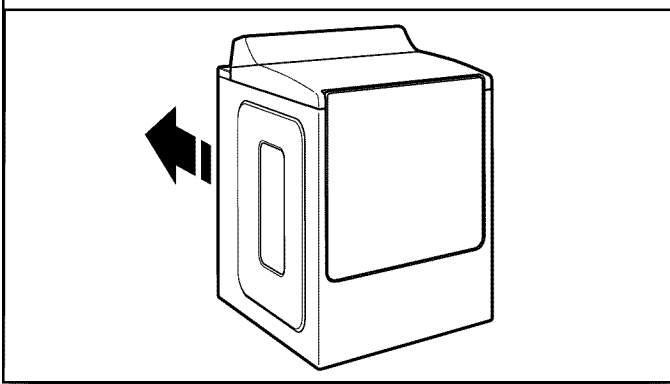
CONNECT VENT

1. Connect vent to exhaust outlet



Using a 4" (102 mm) clamp, connect vent to exhaust outlet in dryer. If connecting to existing vent, make sure vent is clean. Dryer vent must fit over dryer exhaust outlet and inside exhaust hood. Check that vent is secured to exhaust hood with a 4" (102 mm) clamp.

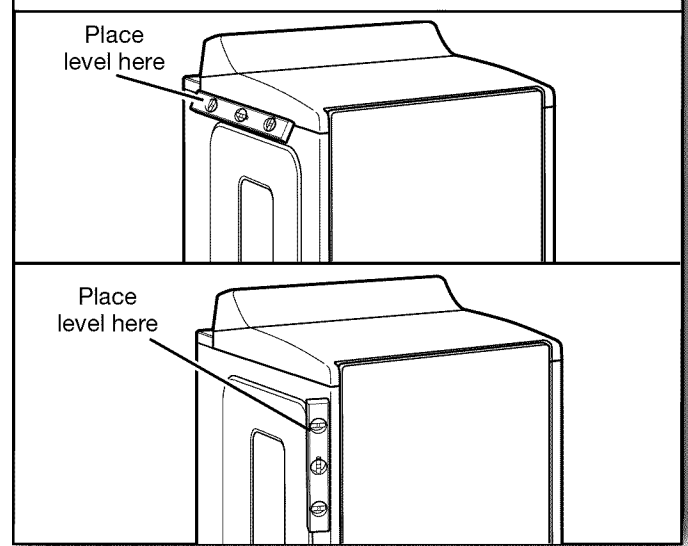
2. Move dryer to final location



Move dryer to final location. Avoid crushing or kinking vent.

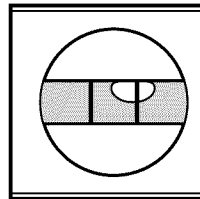
LEVEL DRYER

1. Level Dryer

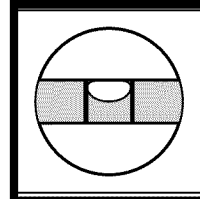


Check levelness of dryer from side to side. Repeat from front to back.

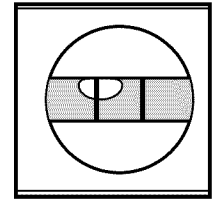
NOTE: The dryer must be level for the moisture sensing system to operate correctly.



Not Level

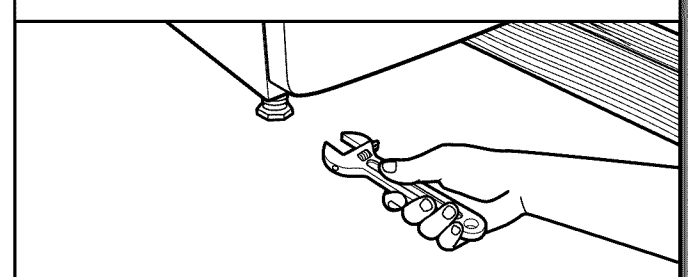


LEVEL



Not Level

2. Adjust leveling legs



If dryer is not level, prop up using a wood block. Use wrench to adjust legs up or down, and check again for levelness.

COMPLETE INSTALLATION CHECKLIST

- Check that all parts are now installed. If there is an extra part, go back through steps to see what was skipped.
- Check that you have all of your tools.
- Dispose of/recycle all packaging materials.
- Check dryer's final location. Be sure vent is not crushed or kinked.
- Check that dryer is level. See "Level Dryer."
- Remove film on console and any tape remaining on dryer.
- Wipe dryer drum interior thoroughly with a damp cloth to remove any dust.
- Read "Dryer Use" in your "Use and Care Guide."

Electric Models:

- For power supply cord installation, plug into a grounded outlet. For direct wire installation, turn on Power.

Gas Models:

- Check that gas supply is on.
- Check for leaks.

Steam models only:

- Be sure the water faucets are on.
- Check for leaks around "Y" connector, faucet, and hoses.
- If you live in a hard water area, use of a water softener is recommended to control the buildup of scale through the water system in the dryer. Over time, the buildup of lime scale may clog different parts of the water system, which will reduce product performance. Excessive scale buildup may lead to the need for certain part replacement or repair.

All Models:

- Select a Timed Dry heated cycle, and start dryer. Do not select Air Only Temperature setting.

If dryer will not start, check the following:

- Controls are set in a running or "On" position.
- Start button has been pushed firmly.
- Dryer is plugged into an outlet and/or electrical supply is connected.
- Household fuse is intact and tight, or circuit breaker has not tripped.
- Dryer door is closed.

This dryer automatically runs an installation diagnostic routine at the start of its first cycle.

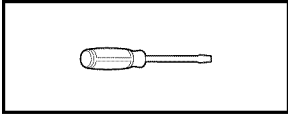
If you receive an L2 code, there may be a problem with your home power supply keeping the dryer's heater from turning on. See "Troubleshooting."

If your Airflow screen reads "Check Vent", your dryer vent may be crushed or blocked. See "Troubleshooting."

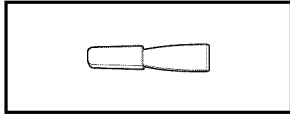
NOTE: You may notice an odor when dryer is first heated. This odor is common when heating element is first used. The odor will go away.

REVERSE DOOR SWING

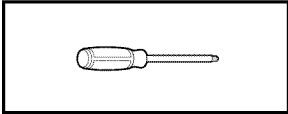
Tools needed:



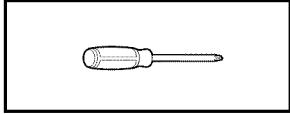
Flat-blade screwdriver



Plastic putty knife



Min. 8" long TORX T25^{®†} screwdriver



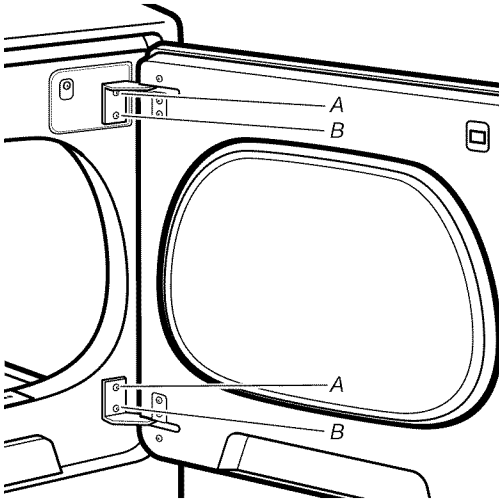
#2 Phillips screwdriver

You can change your door swing from a right-side opening to a left-side opening, if desired.

1. Place a towel or soft cloth on top of dryer or work space to avoid damaging the surface.

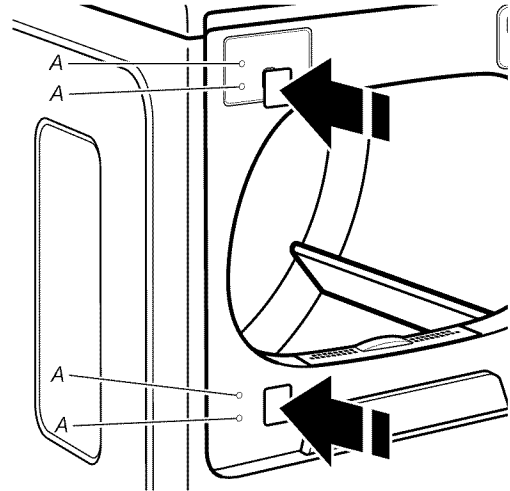
Remove door from dryer cabinet

1. Open the dryer door.
2. Using a T25[®] screwdriver, remove screws (A) and then (B) screws from each of the two hinges that attach dryer door to front panel of dryer. Set the hinge screws off to the side for reinstalling the door.



3. Remove the dryer door by lifting upward and out to lift the door off the cabinet. Lay the door on a flat, covered surface, with the inside of the door facing up.

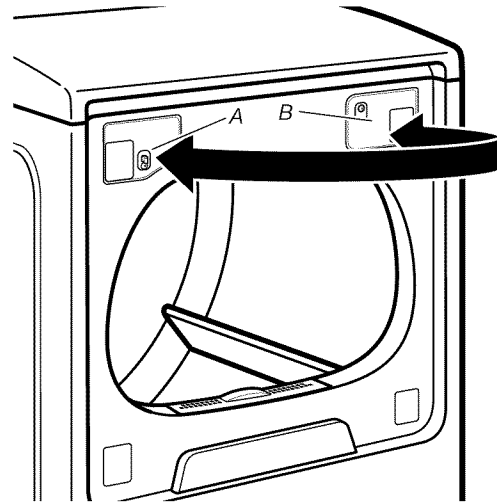
4. Remove the 2 plastic plugs (A) located outside the dryer door opening.



5. Install 2 plastic plugs (A) into screw holes where the hinges were removed in Step 4.

Reverse the strike

1. Remove the door strike (A) from the dryer door opening.
2. Remove the cosmetic screw (B) opposite the door strike (A).



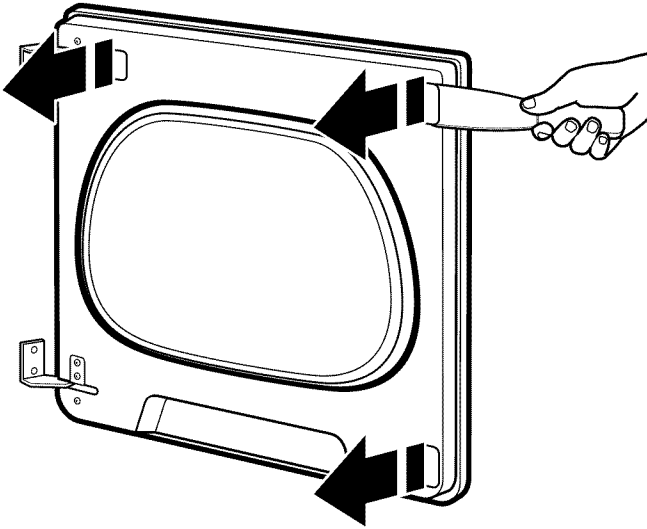
A. Door strike
B. Cosmetic screw

3. Reinstall the door strike and cosmetic screw on the opposite side of dryer door opening from where they were removed.

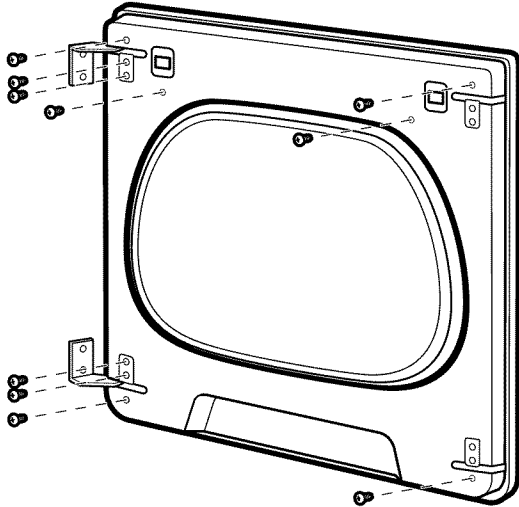
NOTE: Door strike and plugs must be on the same side of the dryer door opening.

Remove the door assembly

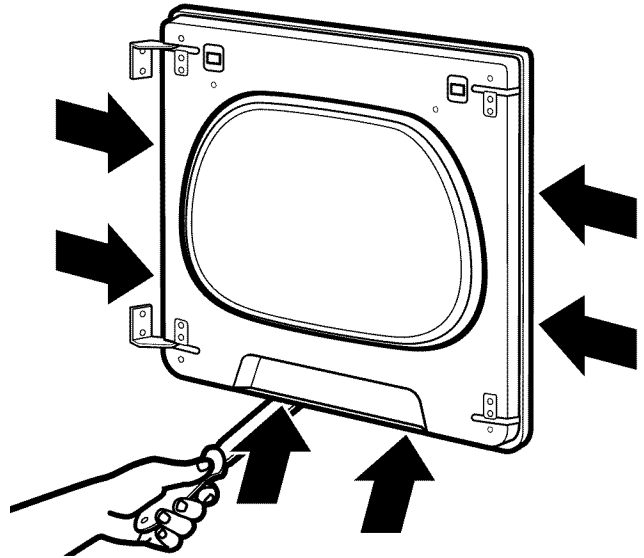
1. Lay the door on a flat, covered surface with the inside of the door facing up. Remove the 3 plugs with a plastic putty knife. There is a cut out to stick the putty knife under to pop out.



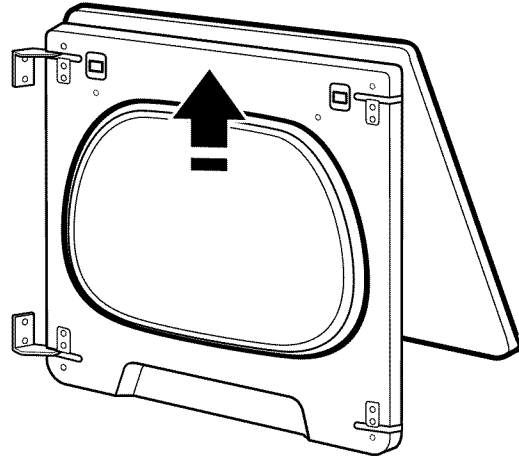
2. Remove the 10 screws from the dryer door and set screws off to the side.



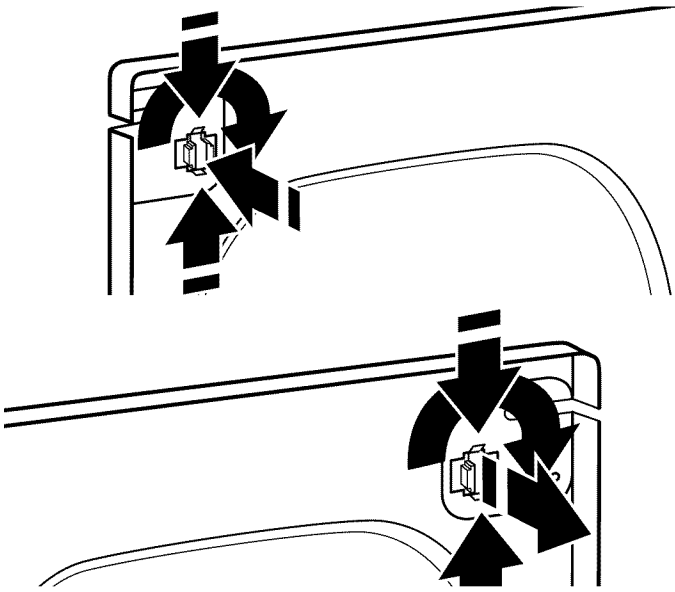
3. Remove the inner door by using a plastic putty knife to separate the sides and bottom of the dryer door and trim. There are 2 snaps on left, right, and bottom of door. Insert the putty knife next to the snaps.



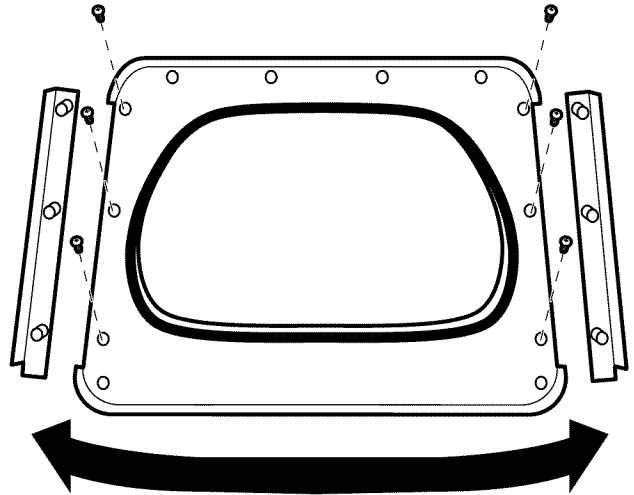
4. When you have the door separated from the frame, use a putty knife to lift up in the center tab and then pull door toward you and out.



5. Remove the door strike plug with a flathead screwdriver. Remove door strike by pinching the clips from the inside door panel and then rotate and push out the front. Insert door strike on the other side of dryer door by pushing in and then add the door strike plug.

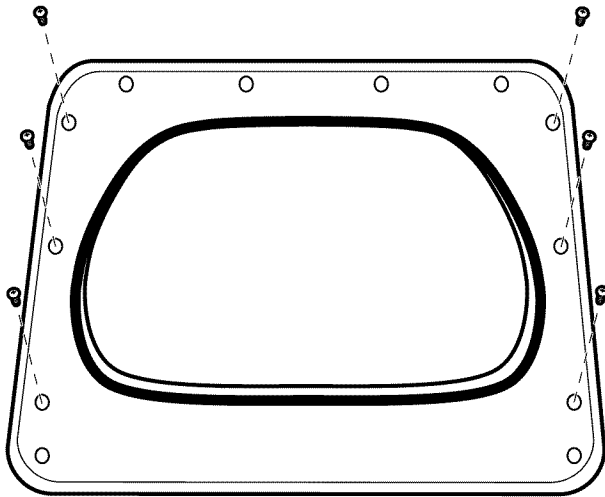


8. Lift door up and rotate trim pieces to the opposite side from which they were removed. Then screw trim pieces back in.

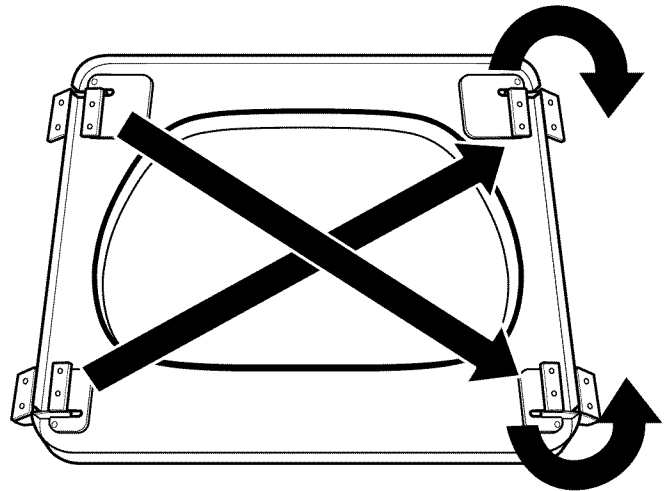


6. Remove the door hinges and set off to the side.

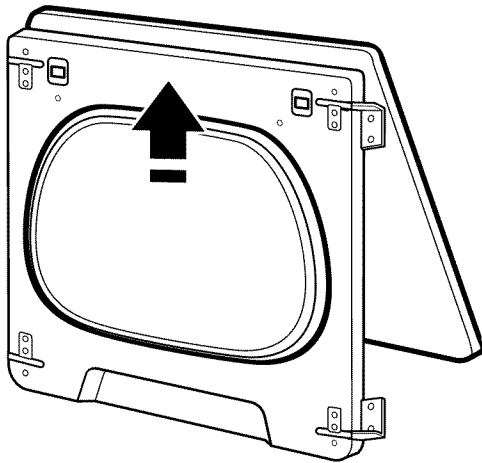
7. Remove the 3 screws down the left and right sides of the door to remove the outer trim pieces.



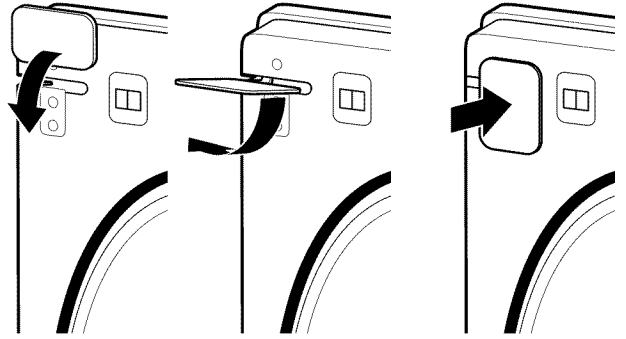
9. Add the hinges to the right side of the door and then flip the hinge labeled 1 to the bottom of the right side and the hinge labeled 2 to the top of the right side of the door.



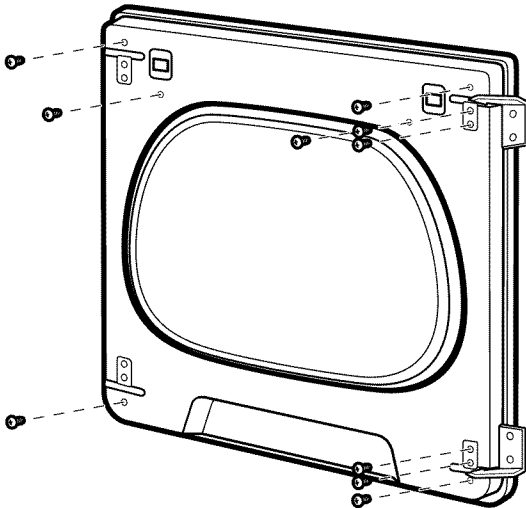
10. Add inside door panel back into the dryer door by sliding the top into the top trim piece and then lower door down. Then press down on the corners to snap into place with the hinges lined up with the hinge holes.



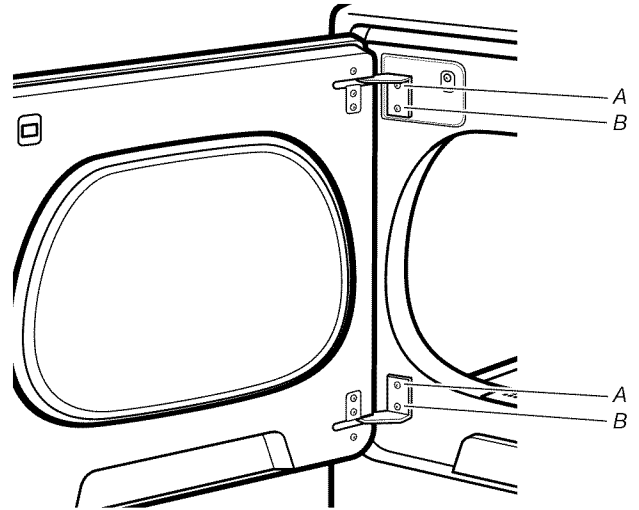
12. Install hinge covers and plugs. Hinge covers will go in sideways to then rotate 90° and snap into place.



11. Install 6 hinge screws and the other 4 screws.



13. Hang door by placing set pin in dryer cabinet hole and slide door down. Using a T25® screwdriver, install (A) screws and then (B) screws. Tighten all hinge screws.



SÉCURITÉ DE LA SÈCHEUSE

Votre sécurité et celle des autres est très importante.

Nous donnons de nombreux messages de sécurité importants dans ce manuel et sur votre appareil ménager. Assurez-vous de toujours lire tous les messages de sécurité et de vous y conformer.



Voici le symbole d'alerte de sécurité.

Ce symbole d'alerte de sécurité vous signale les dangers potentiels de décès et de blessures graves à vous et à d'autres.

Tous les messages de sécurité suivront le symbole d'alerte de sécurité et le mot "DANGER" ou "AVERTISSEMENT". Ces mots signifient :

⚠ DANGER

Risque possible de décès ou de blessure grave si vous ne suivez pas immédiatement les instructions.

⚠ AVERTISSEMENT

Risque possible de décès ou de blessure grave si vous ne suivez pas les instructions.

Tous les messages de sécurité vous diront quel est le danger potentiel et vous disent comment réduire le risque de blessure et ce qui peut se produire en cas de non-respect des instructions.



AVERTISSEMENT - "Risque d'incendie"

- L'installation de la sècheuse à linge doit être effectuée par un installateur qualifié.
- Installer la sècheuse conformément aux instructions du fabricant et aux codes locaux.
- Ne pas installer de sècheuse à linge avec des matériaux d'évacuation en plastique souple ou un conduit métallique souple (de type papier d'aluminium). Si un conduit métallique souple est installé, celui-ci doit être d'un type spécifique identifié par le fabricant de l'appareil et convenir à une utilisation avec les sècheuses à linge. Les matériaux d'évacuation souples sont connus pour s'affaisser, être facilement écrasés et bloquer la charpie. Ces situations obstrueront le débit d'air de la sècheuse à linge et augmenteront le risque d'incendie.
- Pour réduire le risque de blessure grave ou de décès, suivre toutes les instructions d'installation.
- Conserver ces instructions.

IMPORTANT : Pour mettre l'ancienne sècheuse au rebut ou pour la remiser, enlever la porte.

AVERTISSEMENT : Pour votre sécurité, les renseignements dans ce manuel doivent être observés pour réduire au minimum les risques d'incendie ou d'explosion ou pour éviter des dommages au produit, des blessures ou un décès.

- Ne pas entreposer ou utiliser de l'essence ou d'autres vapeurs ou liquides inflammables à proximité de cet appareil ou de tout autre appareil électroménager.
- **QUE FAIRE DANS LE CAS D'UNE ODEUR DE GAZ :**
 - Ne pas tenter d'allumer un appareil.
 - Ne pas toucher à un commutateur électrique; ne pas utiliser le téléphone se trouvant sur les lieux.
 - Évacuer tous les gens de la pièce, de l'édifice ou du quartier.
 - Appeler immédiatement le fournisseur de gaz d'un téléphone voisin. Suivre ses instructions.
 - À défaut de joindre votre fournisseur de gaz, appeler les pompiers.
- L'installation et l'entretien doivent être effectués par un installateur qualifié, une agence de service ou le fournisseur de gaz.

AVERTISSEMENT : L'odorat ne permet pas toujours la détection d'une fuite de gaz.

Les distributeurs de gaz recommandent l'emploi d'un détecteur de gaz (homologation UL ou CSA).

Pour d'autre information, contacter le fournisseur de gaz local.

En cas de détection d'une fuite de gaz, exécuter les instructions "Que faire dans le cas d'une odeur de gaz".

IMPORTANT : L'installation du gaz doit se conformer aux codes locaux, ou en l'absence de codes locaux, au code canadien d'installation B149.1 du gaz naturel ou du propane.

La sècheuse doit être électriquement reliée à la terre conformément aux codes locaux, ou en l'absence de codes locaux, au Code canadien de l'électricité, CSA C22.1.

Dans l'État du Massachusetts, les instructions d'installation suivantes sont applicables :

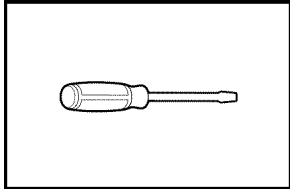
- Les travaux d'installation et réparation doivent être exécutés par un plombier ou tuyauteur qualifié ou licencié, ou par le personnel qualifié d'une entreprise licenciée par l'État du Massachusetts.
- Si une vanne à boisseau sphérique est utilisée, elle doit comporter une manette "T".
- Si un conduit de raccordement flexible est utilisé, sa longueur ne doit pas dépasser 3 pi.

EXIGENCES D'INSTALLATION

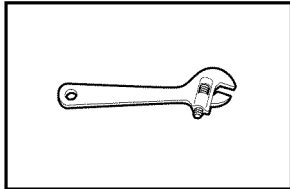
OUTILLAGE ET PIÈCES

Rassembler les outils et pièces nécessaires avant d'entreprendre l'installation. Lire et observer les instructions fournies avec chacun des outils de la liste ci-dessous.

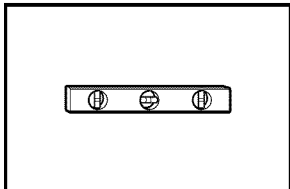
Outils nécessaires à toutes les installations :



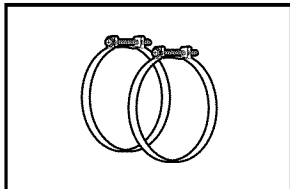
Tournevis à lame plate



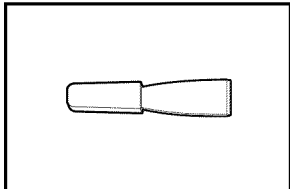
Clé à molette avec ouverture jusqu'à 1" (25 mm) ou clé à douille hexagonale



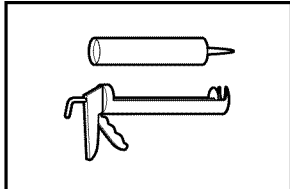
Niveau



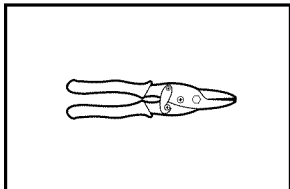
Brides de conduit



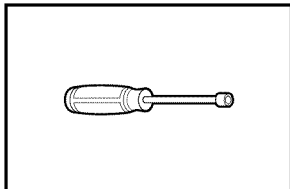
Couteau à mastic en plastique



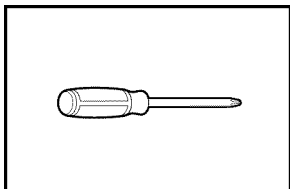
Pistolet à calfeutrage et composé de calfeutrage (pour l'installation d'un nouveau conduit d'évacuation)



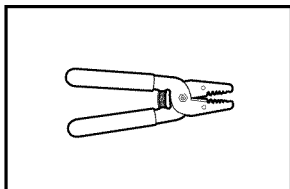
Cisaille de ferblantier (pour l'installation d'un nouveau conduit)



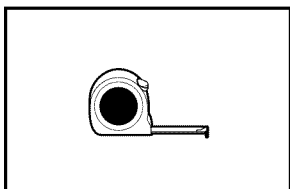
Tourne-écrou de 1/4" (6 mm) (recommandé)



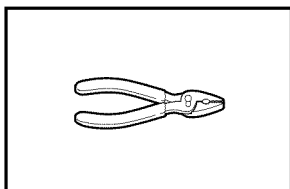
Tournevis Phillips n° 2



Cisaille de ferblantier (pour l'installation d'un nouveau conduit)

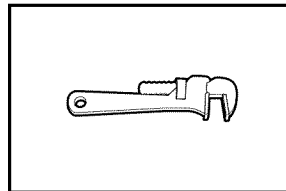


Mètre-ruban

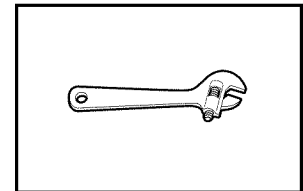


Pince

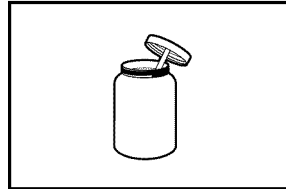
Outils nécessaires pour les installations à gaz :



Clé à tuyau de 8" (203 mm) ou 10" (254 mm)

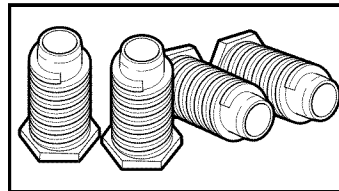


Clé à mollette de 8" (203 mm) ou 10" (254 mm) (pour le raccordement au gaz)



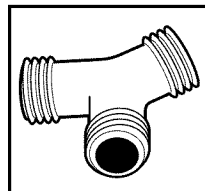
Composé d'étanchéité des raccords filetés – résistant au gaz propane

Pièces fournies (tous les modèles) :

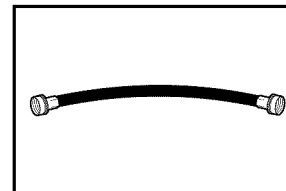


Pieds de nivellement (4)

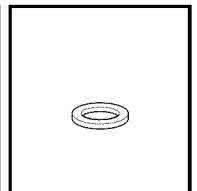
Pièces fournies (modèles vapeur) :



Connecteur en "Y"



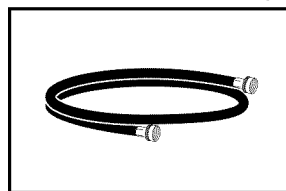
Tuyau d'alimentation court



Rondelle en caoutchouc (4)

Retirer le sachet de pièces du tambour de la sècheuse. Vérifier que toutes les pièces sont présentes.

Pièces nécessaires (modèles vapeur) :



Tuyau d'arrivée d'eau de 5' (1,52 m)

En cas d'utilisation d'un câble d'alimentation électrique :

Utiliser un ensemble de câble d'alimentation électrique homologué UL marqué pour utilisation avec les sècheuses à vêtements. L'ensemble doit contenir :

- Un câble d'alimentation électrique homologué UL de 30 ampères, 120/240 volts minimum, avec une température nominale d'au moins 140° F (60° C). Le cordon doit être de type SRD ou SRDT et mesurer au moins 4 pi (1,22 m) de long. Les fils raccordés à la sècheuse doivent se terminer par des cosses rondes ou à fourche à pointes relevées.
- Un serre-câble (homologation UL).

Pièces nécessaires : (Non fourni avec la sècheuse)
 Consulter les codes locaux. Vérifier l'alimentation électrique et le circuit d'évacuation existants. Voir "Installations électriques" et "Exigences concernant l'évacuation" avant d'acheter les pièces.

Les installations pour maison mobile nécessitent un système d'évacuation en métal disponible chez le marchand chez qui vous avez acheté votre sècheuse. Pour plus d'informations, voir la section "Assistance ou service" dans le "Guide d'utilisation et d'entretien".

EXIGENCES D'EMPLACEMENT

⚠ AVERTISSEMENT



Risque d'explosion

Garder les matières et les vapeurs inflammables, telle que l'essence, loin de la sècheuse.

Placer la sècheuse au moins 460 mm (18 po) au-dessus du plancher pour une installation dans un garage.

Le non-respect de ces instructions peut causer un décès, une explosion ou un incendie.

Il vous faudra :

- Un emplacement permettant une évacuation appropriée. Voir "Exigences concernant l'évacuation".
- Un circuit distinct de 15 ou 20 A est requis pour les sècheuses à gaz et un circuit distinct de 30 A est requis pour les sècheuses électriques.
- Si on utilise un cordon d'alimentation, une prise électrique reliée à la terre située à 2 pi (610 mm) maximum des deux côtés de la sècheuse. de la sècheuse. Voir "Spécifications électriques".
- Le plancher doit pouvoir soutenir le poids de la sècheuse de 200 lb (90,7 kg). Tenir également compte du poids des appareils voisins.
- Un plancher de niveau avec une pente maximale de 1" (25 mm) sous l'ensemble de la sècheuse. Si l'inclinaison est supérieure à 1" (25 mm), les vêtements peuvent ne pas culbutter convenablement et les programmes de détection automatiques peuvent ne pas fonctionner correctement.
- Pour une installation dans un garage, placer la sècheuse au moins 18" (460 mm) au-dessus du plancher.
- Modèles avec génération de vapeur uniquement : Des robinets d'eau froide situés à 4 pi (1,2 m) maximum des valves de remplissage, et une pression d'eau de 20 à 100 lb/po² (137,9 à 689,6 kPa). L'alimentation en eau de la laveuse peut être utilisée avec le connecteur en "Y" et le tuyau court fournis.

IMPORTANT : Ne pas installer, remiser ou faire fonctionner la sècheuse à un emplacement où elle sera exposée à de l'eau, des intempéries ou à des températures inférieures à 45°F (7°C). À des températures inférieures, la sècheuse pourrait ne pas s'arrêter à la fin des programmes de détection automatique, ce qui entraînerait le prolongement du temps de séchage.

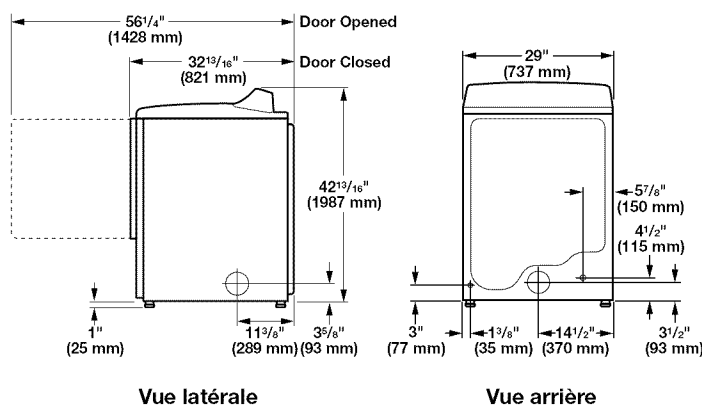
REMARQUE : Aucun autre appareil consommant un combustible ne doit être installé dans le même placard qu'une sècheuse.

DISTANCES DE DÉGAGEMENT À RESPECTER POUR L'INSTALLATION

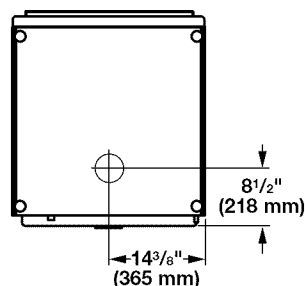
Pour chaque configuration, on peut éventuellement laisser davantage de dégagement pour faciliter l'installation et l'entretien; des distances de séparation pour les appareils ménagers voisins et des dégagements pour les murs, les portes et le plancher. L'espacement doit être assez grand pour permettre d'ouvrir complètement la porte. Ajouter un espace supplémentaire tout autour de la sècheuse pour réduire le transfert de bruit. Si l'on installe une porte de placard ou une porte à persiennes, des ouvertures d'aération au sommet et au bas de la porte sont nécessaires.

Vérifier les spécifications des codes. Certains codes limitent ou interdisent l'installation des sècheuses dans un garage, un placard, une résidence mobile ou une chambre à coucher. Contacter l'inspecteur en bâtiments local.

DIMENSIONS DE LA SÈCHEUSE



Vue de dessous :

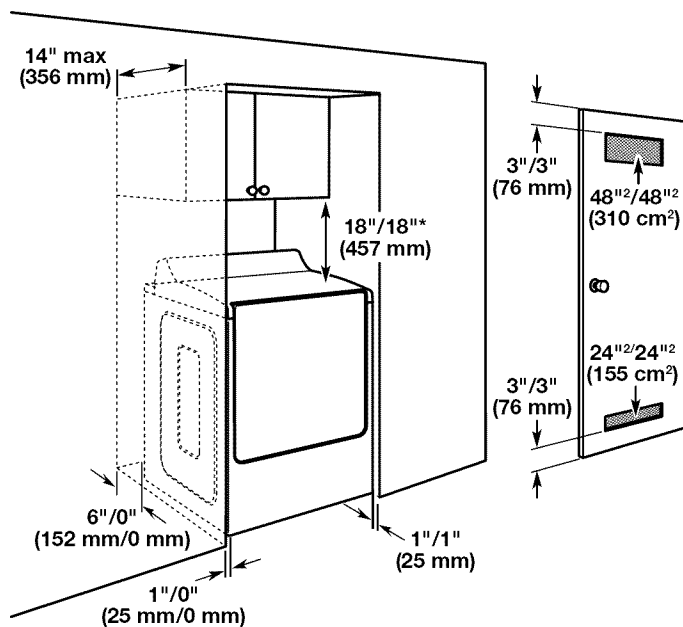


REMARQUE : La plupart des installations requièrent un espace minimum de 6" (152 mm) derrière la sècheuse pour le conduit d'évacuation avec coude. Voir "Exigences concernant l'évacuation".

Espacement pour une installation dans un encastrement ou dans un placard

Les dimensions indiquées sont pour l'espacement minimum permis.

- Prévoir davantage d'espace pour faciliter l'installation et l'entretien.
- Un espace supplémentaire peut être requis pour les moulures de porte et de plancher et pour les plinthes.
- Un espace supplémentaire de 1" (25 mm) de tous les côtés de la sècheuse est recommandé pour réduire le transfert du bruit.
- Pour installation dans un placard avec porte, on doit prévoir des ouvertures minimums d'entrée d'air en haut et en bas de la porte. Les portes à claire-voie offrant des ouvertures équivalentes de passage de l'air sont acceptables.
- Il faut aussi prendre en compte l'espace requis entre les appareils voisins.



Dégagement minimum/recommandé

Installation dans une résidence mobile – Exigences supplémentaires :

Cette sècheuse peut être installée dans une maison mobile. L'installation doit se conformer aux critères de la Manufactured Home Construction and Safety Standard, Titre 24 CFR, partie 3280 (anciennement Federal Standard for Mobile Home Construction and Safety, Titre 24 HUD, partie 280) ou de la Norme CAN/CSA-Z240MH.

Autres critères à respecter pour une installation en résidence mobile :

Toutes les sècheuses :

- Un système d'évacuation en métal est disponible à l'achat chez votre revendeur. Pour plus d'informations, voir la section "Assistance ou service" dans le "Guide d'utilisation et d'entretien".
- Il faut prendre des dispositions spéciales dans les résidences mobiles pour l'apport d'air de l'extérieur dans la sècheuse. Les ouvertures (telle qu'une fenêtre à proximité) devraient être au moins deux fois plus grandes que l'ouverture de décharge de la sècheuse.

Pour les installations en résidence mobile avec sècheuse à gaz :

- Il est possible de commander un ensemble d'ancrage au sol pour installation en résidence mobile, pièce numéro W10432680. Pour plus d'informations, voir la section "Assistance ou service" dans le "Guide d'utilisation et d'entretien".

RACCORDEMENT DE LA SÈCHEUSE ÉLECTRIQUE – CANADA UNIQUEMENT SPÉCIFICATIONS ÉLECTRIQUES

⚠ AVERTISSEMENT



Risque de choc électrique

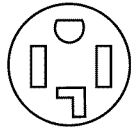
Brancher sur une prise à 4 alvéoles reliée à la terre.

Le non-respect de cette instruction peut causer un décès ou un choc électrique.

C'est à l'utilisateur qu'incombe la responsabilité de :

- Contacter un électricien qualifié.
- S'assurer que le raccordement électrique est adéquat et conforme à la dernière édition du Canadian Electrical Code, C22.1, et à tous les codes et règlements locaux en vigueur. Pour obtenir un exemplaire des normes des codes ci-dessus, contacter : Canadian Standards Association, 178 Rexdale Blvd., Toronto, ON M9W 1R3 CANADA.
- L'appareil doit être alimenté uniquement par un circuit monophasé de 120/240 V, CA uniquement, 60 Hz à 4 fils, sur un circuit séparé de 30 ampères, protégé par fusible aux deux extrémités de la ligne. On recommande d'utiliser un fusible ou un disjoncteur temporisé. On recommande également que cet appareil soit alimenté par un circuit indépendant.

- Cette sècheuse est équipée d'un cordon électrique homologué par la CSA International à introduire dans une prise murale standard 14-30R. Le cordon mesure 5 pi (1,52 m). Veiller à ce que la prise murale se trouve à proximité de l'emplacement définitif de la sècheuse.



4-wire receptacle
(14-30R)

Pour plus d'informations, consulter les numéros de dépannage dans la section "Assistance ou service" du "Guide d'utilisation et d'entretien".

INSTRUCTIONS DE LIAISON À LA TERRE

- Pour une sècheuse reliée à la terre et connectée par un cordon :

Cette sècheuse doit être reliée à la terre. En cas de mauvais fonctionnement ou de panne, la liaison à la terre réduira le risque de choc électrique en offrant au courant électrique un acheminement d'évacuation de moindre résistance. Cette sècheuse est alimentée par un cordon électrique comportant un conducteur relié à la terre et une fiche de branchement munie d'une broche de liaison à la terre. La fiche doit être branchée sur une prise appropriée qui est bien installée et reliée à la terre conformément à tous les codes et règlements locaux.

AVERTISSEMENT : Le raccordement incorrect de cet appareil au conducteur de liaison à la terre peut susciter un risque de choc électrique. En cas de doute quant à la qualité de liaison à la terre de la sècheuse, consulter un électricien ou un technicien ou un personnel qualifié. Ne pas modifier la fiche de branchement fournie avec la sècheuse; si la fiche ne correspond pas à la configuration de la prise de courant, demander à un électricien qualifié d'installer une prise de courant appropriée.

CONSERVEZ CES INSTRUCTIONS

RACCORDEMENT ÉLECTRIQUE DE LA SÈCHEUSE À GAZ - ÉTATS-UNIS ET CANADA

SPÉCIFICATIONS ÉLECTRIQUES

! AVERTISSEMENT



Risque de choc électrique

Brancher sur une prise à 3 alvéoles reliée à la terre.

Ne pas enlever la broche de liaison à la terre.

Ne pas utiliser un adaptateur.

Ne pas utiliser un câble de rallonge.

Le non-respect de ces instructions peut causer un décès, un incendie ou un choc électrique.

- Une source d'alimentation de 120 V, 60 Hz, CA uniquement, de 15 ou 20 ampères et protégée par fusible est nécessaire. On recommande d'utiliser un fusible ou un disjoncteur temporisé. Il est également recommandé de raccorder l'appareil sur un circuit distinct exclusif à cet appareil.

INSTRUCTIONS DE LIAISON À LA TERRE

- Pour une sècheuse reliée à la terre et connectée par un cordon :

Cette sècheuse doit être reliée à la terre. En cas de mauvais fonctionnement ou de panne, la liaison à la terre réduira le risque de choc électrique en offrant au courant électrique un acheminement d'évacuation de moindre résistance. Cette sècheuse est alimentée par un cordon électrique comportant un conducteur relié à la terre et une fiche de branchement munie d'une broche de liaison à la terre. La fiche doit être branchée sur une prise appropriée qui est bien installée et reliée à la terre conformément à tous les codes et règlements locaux.

AVERTISSEMENT : Le raccordement incorrect de cet appareil au conducteur de liaison à la terre peut susciter un risque de choc électrique. En cas de doute quant à la qualité de liaison à la terre de la sècheuse, consulter un électricien ou un technicien ou un personnel qualifié. Ne pas modifier la fiche de branchement fournie avec la sècheuse; si la fiche ne correspond pas à la configuration de la prise de courant, demander à un électricien qualifié d'installer une prise de courant appropriée.

CONSERVEZ CES INSTRUCTIONS

SPÉCIFICATIONS DE L'ALIMENTATION EN GAZ

⚠ AVERTISSEMENT



Risque d'explosion

Utiliser une canalisation neuve d'arrivée de gaz approuvée par CSA International.

Installer un robinet d'arrêt.

Bien serrer chaque organe de connexion de la canalisation de gaz.

En cas de connexion au gaz propane, demander à une personne qualifiée de s'assurer que la pression de gaz ne dépasse pas 330 mm (13 po) de la colonne d'eau.

Par personne qualifiée, on comprend :

le personnel autorisé de chauffage,
le personnel autorisé d'une compagnie de gaz, et
le personnel d'entretien autorisé.

Le non-respect de ces instructions peut causer un décès, un explosion ou un incendie.

TYPE DE GAZ

Gaz naturel :

Cette sècheuse est équipée pour une alimentation au gaz naturel. Sa conception est homologuée par CSA International pour l'alimentation au gaz de pétrole liquéfié (propane ou butane), avec conversion appropriée.

- Cette sècheuse doit être équipée du brûleur convenable, correspondant au gaz spécifique qui alimente l'habitation. L'information sur le brûleur se trouve sur la plaque signalétique dans le logement de la porte de la sècheuse. Si ces renseignements ne correspondent pas au type de gaz disponible, contacter votre revendeur ou composer les numéros de téléphone indiqués dans la section "Assistance ou service" de votre "Guide d'utilisation et d'entretien".

Conversion pour l'alimentation au propane :

IMPORTANT : Un technicien qualifié doit effectuer la conversion.

Ne pas entreprendre de convertir la sècheuse dans le cas d'une utilisation avec un gaz différent de celui indiqué sur la plaque signalétique sans d'abord consulter la compagnie de gaz.

CANALISATION DE GAZ

Option 1 (méthode recommandée)

Raccord à gaz en acier inoxydable flexible :

- Si les codes locaux le permettent, utiliser un raccord neuf en acier inoxydable souple (conception homologuée par l'American Gas Association ou par CSA International) pour raccorder la sècheuse à la canalisation rigide d'alimentation en gaz. Selon le besoin, utiliser un coude et un adaptateur de 3/8" x tuyau NPT de 3/8" entre le raccord de gaz flexible et la canalisation de gaz de la sècheuse, pour éviter toute déformation.

Option 2 (méthode alternative)

Conduit d'aluminium ou de cuivre approuvé :

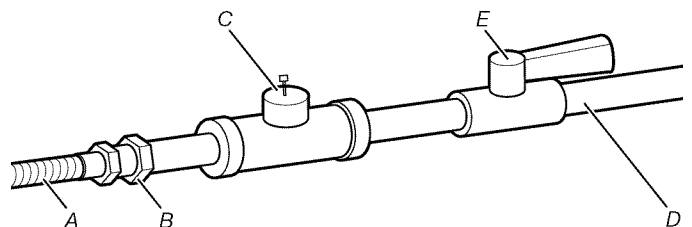
- La canalisation doit comprendre un connecteur obturé (filetage NPT de 1/8" ou plus) accessible pour le raccordement de l'instrument de mesure immédiatement en amont de la connexion d'alimentation en gaz de la sècheuse.
 - On recommande un tuyau IPS de 1/2".
 - Pour les longueurs inférieures à 20 pi (6,1 m), on peut utiliser des conduits approuvés en aluminium ou en cuivre de 3/8" dans la mesure où les codes locaux et le fournisseur de gaz l'autorisent.
 - Pour le gaz naturel, ne pas utiliser de conduits en cuivre.
 - Pour les longueurs supérieures à 20 pi (6,1 m), on peut utiliser des conduits plus gros et un adaptateur de calibre différent.
 - Si la sècheuse a été convertie pour une utilisation au propane, on peut utiliser un conduit en cuivre pour propane compatible de 3/8". Si la longueur totale de la canalisation d'alimentation en gaz est supérieure à 20 pi (6,1 m), utiliser un conduit de taille supérieure.
- REMARQUE :** On doit utiliser un composé d'étanchéité pour tuyauteries résistant à l'action du gaz propane. Ne pas utiliser de ruban TEFLON®.
- Robinet d'arrêt nécessaire.

Aux É.-U. :

Un robinet d'arrêt individuel manuel doit être installé à six (6) pi (1,8 m) maximum de la sècheuse, conformément au National Fuel Gas Code, ANSI Z223.1. L'emplacement doit être facile à atteindre pour ouvrir et fermer la sècheuse.

Au Canada :

Un robinet d'arrêt individuel doit être installé conformément au Code B149.1 relatif à l'installation du gaz naturel et du propane. Il est recommandé d'installer un robinet d'arrêt individuel manuel à six (6) pi (1,8 m) maximum de la sècheuse. L'emplacement doit être facilement accessible pour l'ouverture et la fermeture.



- A. Raccord flexible de gaz de 3/8"
- B. Adaptateur entre le conduit et le joint conique de 3/8"
- C. Connecteur obturé (filetage NPT de 1/8" ou plus)
- D. Canalisation d'alimentation en gaz (filetage NPT de 1/2")
- E. Robinet d'arrêt du gaz

SPÉCIFICATIONS DU RACCORDEMENT DE L'ALIMENTATION EN GAZ

- Utiliser un coude et un adaptateur NPT de 3/8" x 3/8" entre le connecteur de gaz flexible et la conduite de gaz de la sècheuse, tel que nécessaire pour éviter le pincement.
- Utiliser uniquement un composé d'étanchéité des tuyauteries. Ne pas utiliser de ruban TEFLON®.
- Cette sècheuse doit être raccordée à la canalisation d'alimentation en gaz à l'aide d'un connecteur de gaz flexible homologué qui respecte les normes applicables aux connecteurs utilisés avec des appareils ménagers à gaz, ANSI Z21.24 ou CSA 6.10.

SPÉCIFICATIONS DE L'ALIMENTATION DU BRÛLEUR

Altitudes supérieures à 2 000 pi (610 m) :

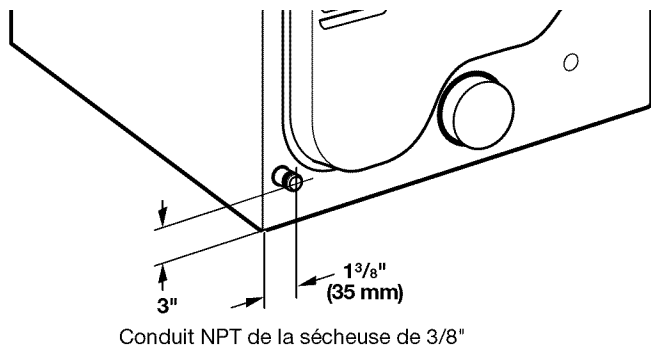
- Si la sècheuse doit être utilisée à une altitude supérieure à 2 000 pi (610 m), on doit réduire le débit thermique du brûleur indiqué sur la plaque signalétique de 4 % pour chaque tranche de 1 000 pi (305 m) d'augmentation de l'altitude.

Épreuve sous pression de l'alimentation en gaz

- La sècheuse doit être déconnectée du système de canalisations d'alimentation en gaz lors de tout test de pression à des pressions plus élevées que 1/2 lb/po².

CANALISATION DE GAZ DE LA SÈCHEUSE

- La canalisation d'arrivée de gaz sortant depuis l'arrière de la sècheuse est dotée d'un filetage mâle de 3/8".



REMARQUE : Pour une installation dans un garage, prévoir 18" (460 mm) de plus à partir du sol pour la hauteur de la canalisation d'arrivée de gaz.

INSTALLATION DES PIEDS DE NIVELLEMENT

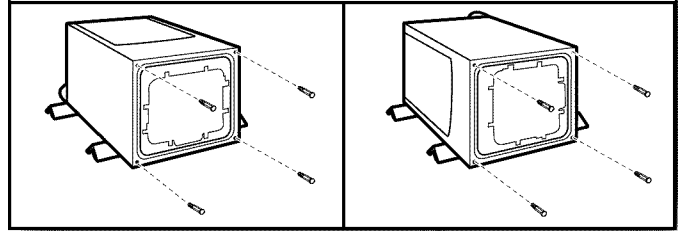
⚠ AVERTISSEMENT

Risque du poids excessif

Utiliser deux ou plus de personnes pour déplacer et installer la sècheuse.

Le non-respect de cette instruction peut causer une blessure au dos ou d'autre blessure.

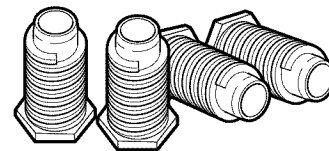
1. Préparer la sècheuse pour les pieds de nivellement



Saisir fermement le corps de la sècheuse (et non pas le panneau de la console) puis reposer la sècheuse avec précaution sur les cornières en carton arrière.

IMPORTANT : Si l'on fait reposer la sècheuse sur le dos, utiliser les cornières dans lesquelles la sècheuse a été emballée pour éviter d'endommager l'arrière de la sècheuse.

2. Visser dans les pieds de nivellement



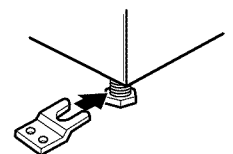
À l'aide d'une clé et d'un mètre-ruban, visser les pieds dans les trous pour pieds de nivellement jusqu'à ce que le bas de chaque pied se trouve à environ 1" (25 mm) du bas de la sècheuse.

À présent, redresser la sècheuse et la placer sur ses pieds. Faire glisser la sècheuse jusqu'à ce qu'elle se trouve à proximité de son emplacement final. Laisser suffisamment d'espace pour connecter le conduit d'évacuation.

Pour utilisation en résidence mobile

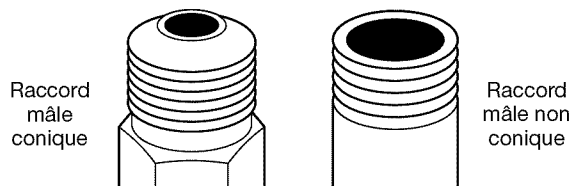
Les sècheuses à gaz doivent être solidement fixées au plancher.

Les installations en résidence mobile nécessitent un ensemble d'ancrage au sol pour installation en résidence mobile. Pour le processus de commande, consulter le "Guide d'utilisation et d'entretien".



RACCORDEMENT AU GAZ - ÉTATS-UNIS ET CANADA

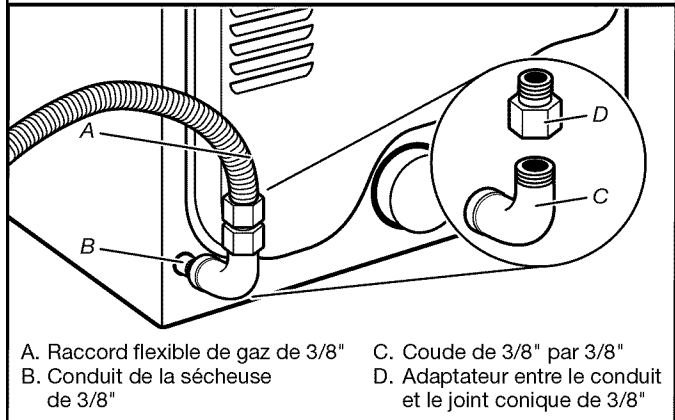
1. Raccorder l'alimentation en gaz à la sècheuse



Retirer le capuchon rouge de la canalisation de gaz. À l'aide d'une clé pour serrer, raccorder l'alimentation en gaz à la sècheuse. Utiliser un composé d'étanchéité des tuyauteries sur tous les filetages des raccords mâles non coniques. Si on utilise un conduit métallique souple, veiller à ce qu'il ne soit pas pincé.

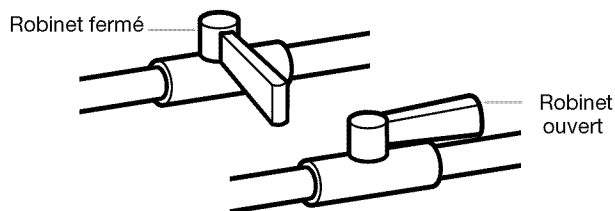
REMARQUE : Pour les raccords au propane, on doit utiliser un composé d'étanchéité résistant à l'action du propane. Ne pas utiliser de ruban TEFLON®†.

2. Planifier la connexion des raccords de tuyauterie



On doit utiliser une combinaison de raccords de tuyauterie pour raccorder la sècheuse à l'alimentation en gaz existante. L'illustration présente un raccordement recommandé. Le raccordement peut varier selon le type, la taille et l'emplacement de la canalisation d'alimentation.

3. Robinet d'arrêt du gaz ouvert



Ouvrir le robinet d'arrêt de la canalisation d'alimentation; le robinet est ouvert lorsque la manette est parallèle à la canalisation de gaz. Vérifier ensuite tous les raccords en les badigeonnant d'une solution de détection des fuites non corrosive approuvée. L'apparition de bulles indique la présence d'une fuite. Veiller à éliminer toute fuite détectée.

L'ÉVACUATION

EXIGENCES CONCERNANT L'ÉVACUATION

⚠ AVERTISSEMENT



Risque d'incendie

Utiliser un conduit d'évacuation en métal lourd.

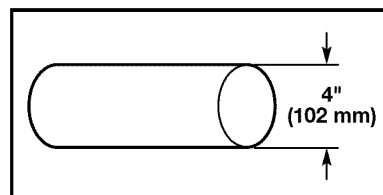
Ne pas utiliser un conduit d'évacuation en plastique.

Ne pas utiliser un conduit d'évacuation en feuille de métal.

Le non-respect de ces instructions peut causer un décès ou un incendie.

AVERTISSEMENT : Pour réduire le risque d'incendie, cette sècheuse doit **EVACUER L'AIR A L'EXTERIEUR**.

IMPORTANT : Observer les dispositions de tous les codes et règlements en vigueur. Le conduit d'évacuation de la sècheuse ne doit pas être raccordé à une évacuation de gaz, une cheminée, un mur, un plafond, un grenier, un vide sanitaire ou un vide de construction. Seul un conduit d'évacuation métallique rigide ou souple doit être utilisé pour le système d'évacuation.



Conduit d'évacuation en métal lourd de 4" (102 mm)

- Utiliser uniquement un conduit d'évacuation en métal lourd de 4" (102 mm) et des brides de serrage.
- Ne pas utiliser de conduit de plastique ou de métal très mince.

Conduit métallique rigide :

- Recommandé pour une performance de séchage idéale afin d'éviter tout écrasement ou déformation.

Conduit métallique flexible : (Acceptable uniquement si son accès reste facile pour le nettoyage)

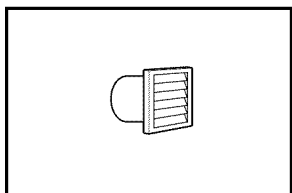
- Doit être entièrement déployé et soutenu à l'emplacement d'installation final de la sècheuse.
- Enlever tout excès de conduit flexible pour éviter tout affaissement et déformation susceptible de réduire la capacité d'évacuation et le rendement.
- Ne pas installer le conduit métallique flexible dans des cavités fermées de mur, plafonds ou planchers.
- La longueur totale ne doit pas dépasser 7³/₄ ft. (2,4 m).
- La longueur du conduit métallique d'évacuation souple utilisé doit être prise en compte lors de la conception de l'ensemble du circuit d'évacuation, tel qu'indiqué dans les "Tableaux des systèmes d'évacuation".

REMARQUE : Lors de l'utilisation d'un système d'évacuation existant, nettoyer et éliminer la charpie sur toute la longueur du système, et veiller à ce que le clapet d'évacuation ne soit pas obstrué par de la charpie. Remplacer tout conduit de plastique ou en aluminium par un conduit métallique rigide ou souple. Consulter à nouveau le tableau des systèmes d'évacuations et modifier le système d'évacuation existant au besoin pour obtenir un meilleur séchage.

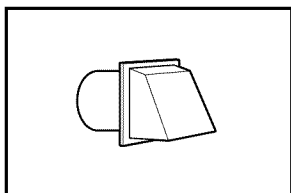
Clapets d'évacuation :

- Doit se trouver à au moins 12" (305 mm) du plancher ou de tout objet susceptible d'obstruer l'ouverture d'évacuation (tels des fleurs, des pierres, des buissons ou de la neige).

Styles recommandés :

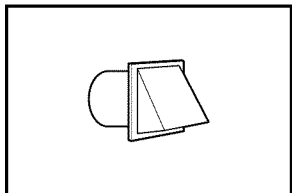


Clapet à persiennes



Clapet de type boîte

Style acceptable :

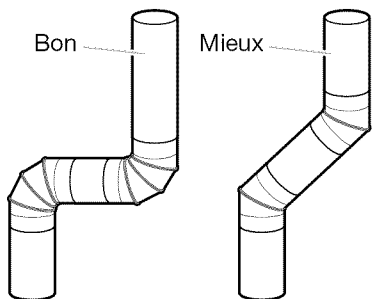


Clapet incliné

Coudes :

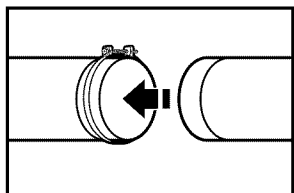
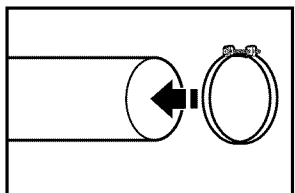
- Les coudes à 45° permettent une meilleure circulation de l'air que les coudes à 90°.

Styles recommandés :



Brides de serrage :

- Utiliser des brides pour sceller tous les joints.
- Le conduit d'évacuation ne doit pas être raccordé ou fixé avec des vis ou tout autre dispositif de serrage qui se prolongerait à l'intérieur du conduit et retiendrait la charpie. Ne pas utiliser de ruban adhésif pour conduit.



Une mauvaise évacuation de l'air peut causer de l'humidité et une accumulation de charpie à l'intérieur de la maison, ce qui peut provoquer :

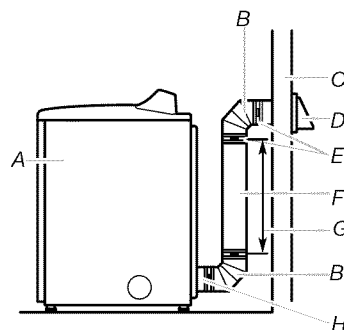
- Dommages par l'humidité aux boiseries, meubles, peinture, papier-peint, tapis, etc.
- Problèmes de nettoyage dans la maison et problèmes de santé.

Le matériel d'évacuation peut être acheté auprès de votre revendeur. Pour plus d'informations, voir la section "Assistance ou service" du "Guide d'utilisation et d'entretien".

PLANIFICATION DES CIRCUITS DE CONDUITS

Installations d'évacuation recommandées

Les installations typiques consistent à acheminer le conduit d'évacuation à l'arrière de la sècheuse. D'autres installations sont possibles.



- A. Sècheuse
- B. Raccord coudé
- C. Mur
- D. Clapet d'évacuation
- E. Brides
- F. Conduit d'évacuation métallique rigide ou souple
- G. Longueur de conduit d'évacuation nécessaire pour le raccordement des coudes
- H. Bouche de décharge

Installations d'évacuation facultatives :

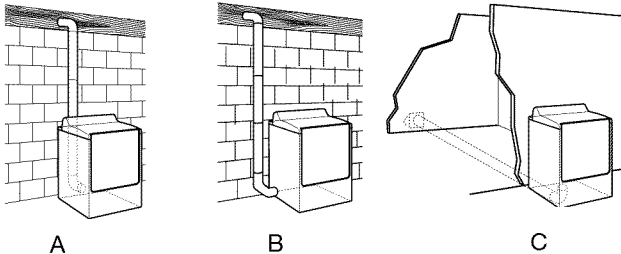
AVERTISSEMENT



Risque d'incendie

- Utiliser un conduit d'évacuation en métal lourd.
- Ne pas utiliser un conduit d'évacuation en plastique.
- Ne pas utiliser un conduit d'évacuation en feuille de métal.
- Le non-respect de ces instructions peut causer un décès ou un incendie.

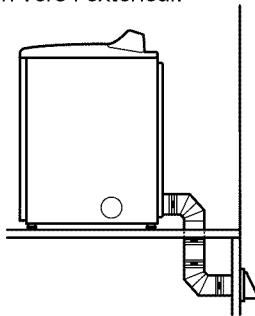
Si vous préférez, la sècheuse peut être convertie pour évacuer par le bas et les côtés. Contactez votre revendeur local pour convertir la sècheuse.



- A. Installation avec acheminement standard du conduit d'évacuation par l'arrière
- B. Installation avec évacuation par la gauche ou par la droite
- C. Installation avec évacuation par le bas

Dispositions spéciales pour les installations en résidence mobile :

Le système d'évacuation doit être solidement fixé à une section non combustible de la structure de la résidence mobile et ne doit pas se terminer en dessous de la résidence mobile. Acheminer le conduit d'évacuation vers l'extérieur.



Installation du système d'évacuation en résidence mobile

Déterminer l'itinéraire d'acheminement du conduit :

- Choisir l'itinéraire d'acheminement vers l'extérieur qui sera le plus direct et le plus rectiligne.
- Planifier l'installation de façon à introduire un nombre minimal de coudes et de changements de direction.
- Si des coudes ou changements de direction sont utilisés, prévoir autant d'espace que possible.
- Plier le conduit graduellement pour éviter de le déformer.
- Utiliser le moins possible de changements de direction à 90°.

Déterminer la longueur du conduit et le nombre de coudes nécessaires pour une performance optimale de séchage.

- Utiliser le tableau des systèmes d'évacuation suivant pour déterminer le type de matériel d'évacuation et les combinaisons de hotte acceptables.

REMARQUE : Ne pas utiliser de conduits de longueur supérieure à la valeur spécifiée dans le tableau des systèmes d'évacuation. Si la longueur du circuit est supérieure à la valeur spécifiée dans le tableau, on observera :

- Un cycle de vie réduit de la sècheuse.
- Une réduction du rendement, avec temps de séchage plus longs et une plus grande consommation d'énergie.

Le tableau des systèmes d'évacuation indique les critères d'évacuation qui vous aideront à obtenir une performance de séchage idéale.

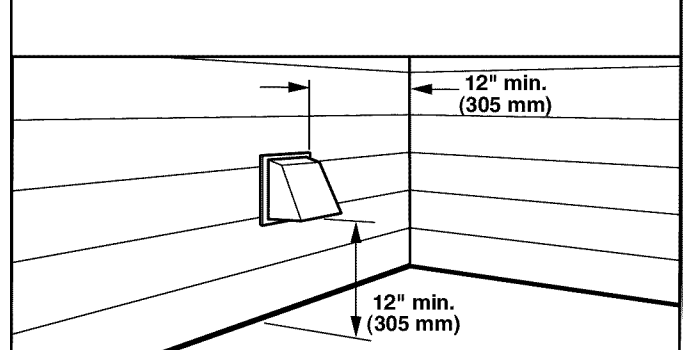
Tableau des systèmes d'évacuation

Nombre de coudes à 90°	Type de conduit d'évacuation	Clapets inclinés
0	Métallique rigide	64 pi (20 m)
1	Métallique rigide	54 pi (16,5 m)
2	Métallique rigide	44 pi (13,4 m)
3	Métallique rigide	35 pi (10,7 m)
4	Métallique rigide	27 pi (8,2 m)

REMARQUE : Les installations d'évacuation par le bas comportent un changement de direction à 90° à l'intérieur de la sècheuse. Pour établir la longueur maximale du conduit d'évacuation, ajouter un changement de direction à 90° au tableau.

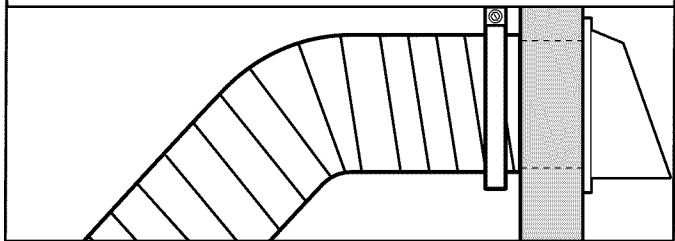
INSTALLATION DU SYSTÈME D'ÉVACUATION

1. Installer le clapet d'évacuation



Installer le clapet d'évacuation et utiliser un composé de calfeutrage pour calfeutrer le côté extérieur de l'ouverture murale autour du clapet d'évacuation.

2. Raccordement du conduit d'évacuation au clapet



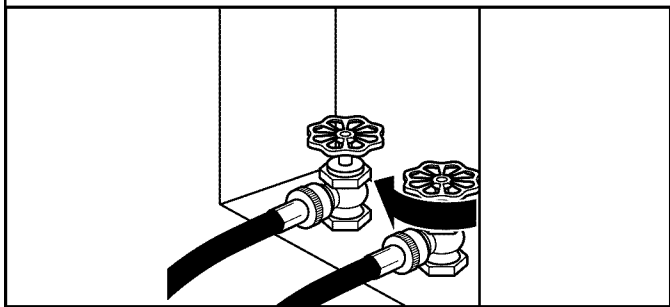
Le conduit doit être placé par dessus le clapet d'évacuation. Fixer ensemble le conduit et le clapet avec une bride de 4" (102 mm). Acheminer le conduit jusqu'à l'emplacement de la sècheuse en utilisant le chemin le plus rectiligne possible. Éviter les changements de direction à 90°. Utiliser des brides pour sceller tous les joints. Ne pas utiliser de ruban adhésif pour conduit, de vis ou autres dispositifs de fixation qui se prolongeraient à l'intérieur du conduit pour fixer le conduit d'évacuation; ceux-ci pourraient retenir la charpie.

RACCORDEMENT DES TUYAUX D'ALIMENTATION

Pour les modèles à fonctionnement sans vapeur, passer directement à la section "Raccordement du système d'évacuation".

La sècheuse doit être connectée au robinet d'eau froide à l'aide des nouveaux tuyaux d'alimentation. Ne pas utiliser de tuyaux usagés.

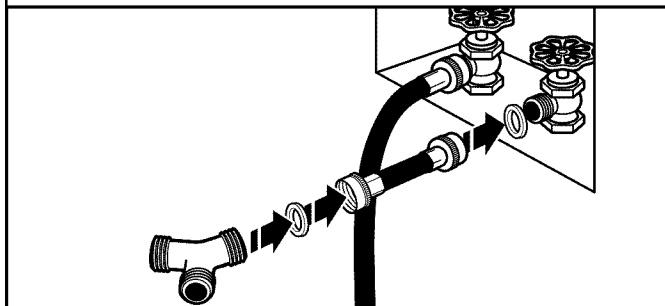
1. Fermer l'eau froide; retirer et remplacer le joint de caoutchouc



Fermer le robinet d'eau froide et ôter le tuyau d'alimentation de la laveuse.

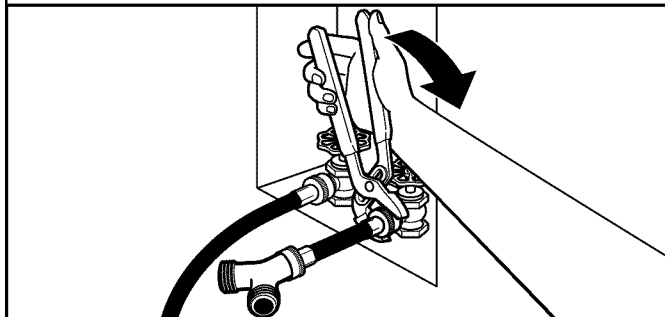
Retirer l'ancien joint de caoutchouc du tuyau d'arrivée d'eau et le remplacer par un joint de caoutchouc neuf.

2. Fixer le tuyau court et le raccord en "Y"



Fixer le tuyau d'alimentation de 2 pi (0,6 m) au robinet d'eau froide. Visser le raccord à la main jusqu'à ce qu'il repose sur le robinet. Fixer le raccord en "Y" à l'extrémité mâle du tuyau d'alimentation de 2 pi (0,6 m). Visser le raccord à la main jusqu'à ce qu'il repose sur le raccord.

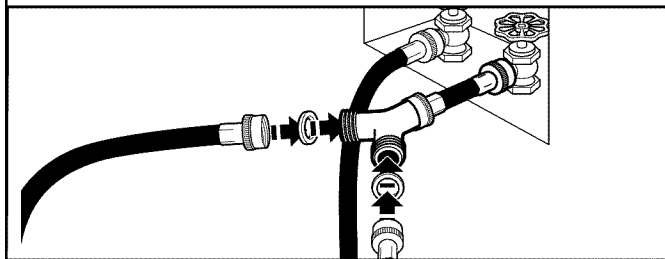
3. Serrer les raccords



Terminer le serrage des raccords de deux tiers de tour supplémentaire avec une pince.

REMARQUE : Ne pas serrer excessivement. Le raccord risque d'être endommagé.

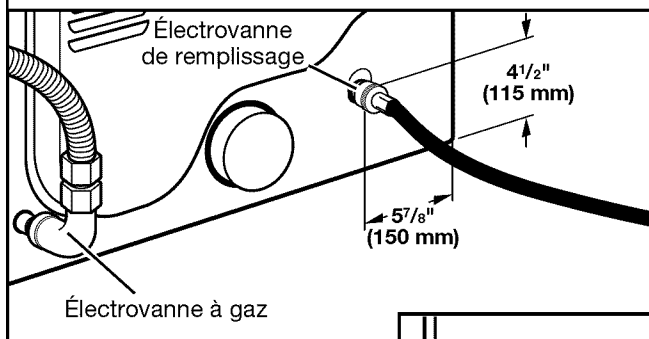
4. Fixer le long tuyau au raccord en "Y" et serrer les raccords



Fixer les extrémités du tuyau d'alimentation de 5 pi (1,5 m) au connecteur en "Y". Fixer le tuyau d'alimentation en eau froide de la laveuse à l'autre extrémité du raccord en "Y". Visser le raccord à la main jusqu'à ce qu'il repose sur le raccord. Terminer le serrage des raccords de deux tiers de tour supplémentaire avec une pince.

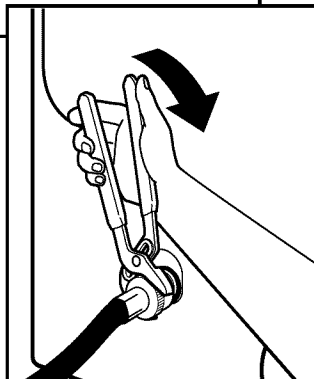
REMARQUE : Ne pas serrer excessivement. Le raccord risque d'être endommagé.

5. Fixer le long tuyau à l'électrovanne de remplissage de la sécheuse et serrer les raccords

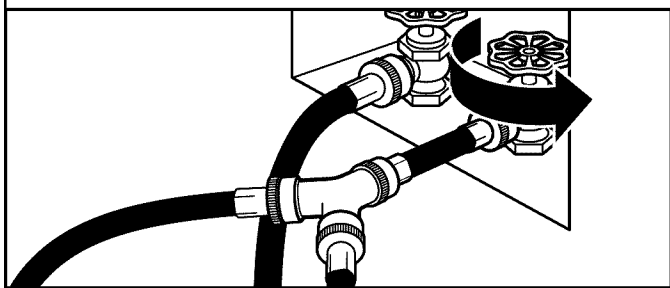


Fixer l'autre extrémité du long tuyau à l'électrovanne située au bas du panneau arrière de la sécheuse. Visser le raccord à la main jusqu'à ce qu'il repose sur le connecteur de l'électrovanne. Terminer le serrage des raccords de deux tiers de tour supplémentaire avec une pince.

REMARQUE : Ne pas serrer excessivement. Le raccord risque d'être endommagé.

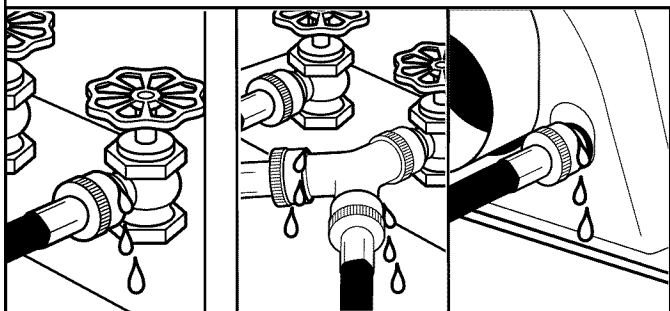


6. Ouvrir le robinet d'eau froide



Vérifier que le robinet d'eau est ouvert.

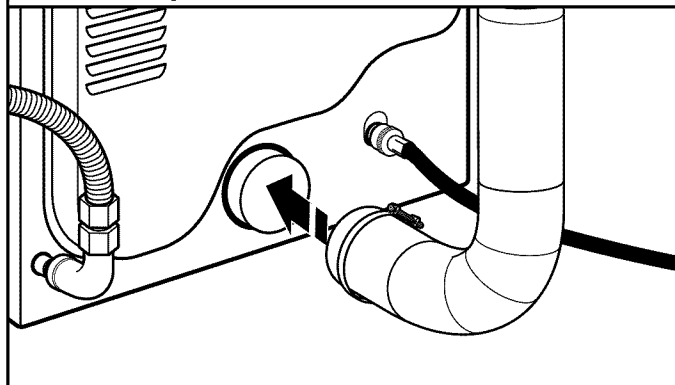
7. Recherche de fuites



Vérifier qu'il n'y a pas de fuites autour du raccord en "Y", du robinet et des tuyaux.

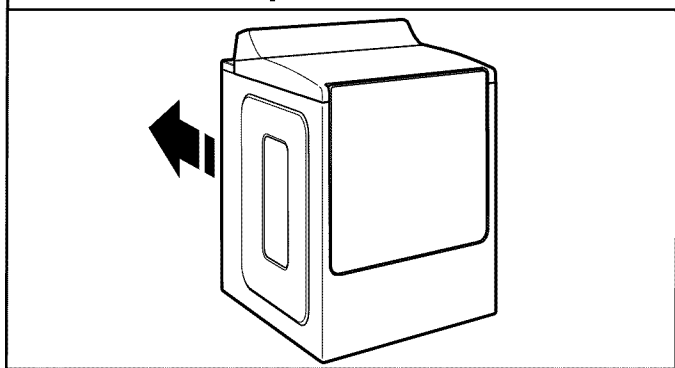
RACCORDEMENT DU SYSTÈME D'ÉVACUATION

1. Raccorder le conduit d'évacuation au clapet d'évacuation



À l'aide d'une bride de fixation de 4" (102 mm), relier le conduit d'évacuation à la bouche d'évacuation de la sécheuse. Si l'on réalise le raccordement au conduit d'évacuation existant, s'assurer que celui-ci est propre. Le conduit d'évacuation doit être fixé par-dessus la bouche d'évacuation de la sécheuse et à l'intérieur du clapet d'évacuation. S'assurer que le conduit d'évacuation est fixé au clapet d'évacuation à l'aide d'une bride de fixation de 4" (102 mm).

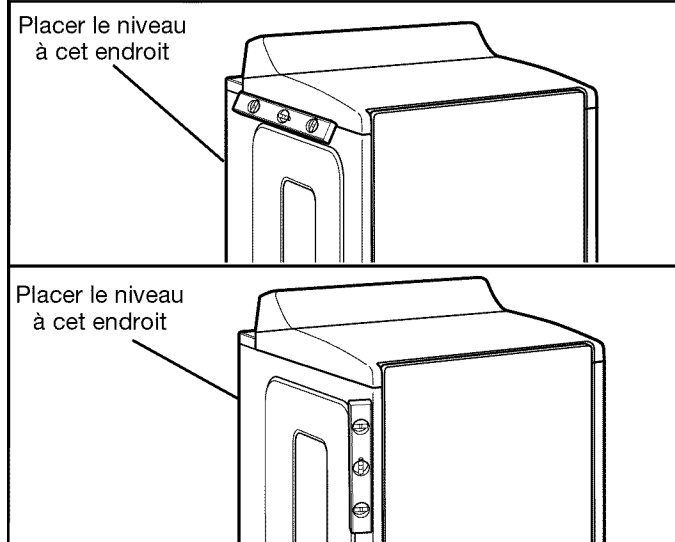
2. Placer la sécheuse à son emplacement final



Placer la sécheuse à son emplacement final. Éviter d'écraser ou de déformer le conduit d'évacuation.

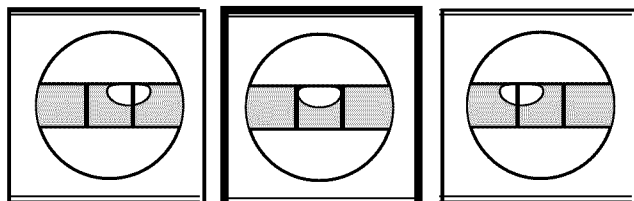
ÉTABLIR L'APLOMB DE LA SÈCHEUSE

1. Réglage de l'aplomb de la sècheuse



Vérifier l'aplomb de la sècheuse dans le sens transversal. Répéter l'opération dans le sens avant-arrière.

REMARQUE : La sècheuse doit être d'aplomb pour que le système de détection d'humidité fonctionne correctement.

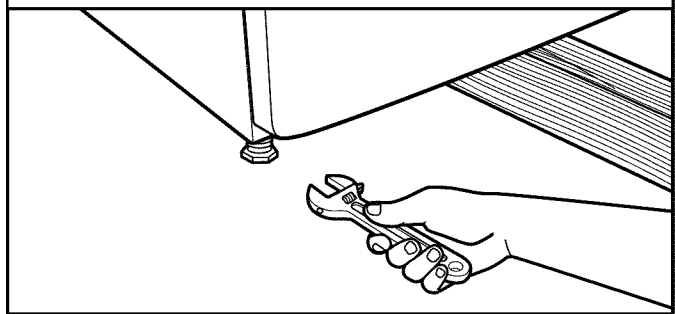


Pas d'aplomb

D'APLOMB

Pas d'aplomb

2. Ajuster pieds de nivellement



Si la sècheuse n'est pas d'aplomb, la relever à l'aide d'un bloc de bois. Utiliser une clé pour ajuster les pieds vers le haut ou vers le bas, et vérifier à nouveau si elle est d'aplomb.

ACHEVER L'INSTALLATION LISTE DE VÉRIFICATION

- Vérifier que toutes les pièces sont maintenant installées. S'il reste une pièce, passer en revue les différentes étapes pour découvrir laquelle aurait été oubliée.
- Vérifier la présence de tous les outils.
- Jeter/recycler tous les matériaux d'emballage.
- Vérifier l'emplacement définitif de la sècheuse. S'assurer que le conduit d'évacuation n'est pas écrasé ou déformé.
- Vérifier que la sècheuse est d'aplomb. Voir "Réglage de l'aplomb de la sècheuse".
- Ôter la pellicule protectrice de la console et tout ruban adhésif resté sur la sècheuse.
- Essuyer soigneusement l'intérieur du tambour de la sècheuse avec un chiffon humide pour éliminer toute trace de poussière.
- Lire la section "Utilisation de la sècheuse" dans le "Guide d'utilisation et d'entretien".

Modèles électriques :

- Pour une installation avec cordon d'alimentation, brancher sur une prise reliée à la terre. Pour une installation à raccordement direct, mettre l'appareil sous tension.

Modèles à gaz :

- S'assurer que l'alimentation en gaz est ouverte.
- Vérifier qu'il n'y a pas de fuites.

Modèles avec génération de vapeur uniquement :

- Vérifier que les robinets d'eau sont ouverts.
- Vérifier qu'il n'y a pas de fuites autour du raccord en "Y", du robinet et des tuyaux.
- Si l'on réside dans une région où l'eau est dure, l'emploi d'un adoucisseur d'eau est recommandé pour contrôler l'accumulation de tartre dans le circuit d'eau de la sècheuse. Avec le temps, l'accumulation de tartre peut obstruer différentes parties du circuit d'eau, ce qui réduit la performance du produit. Une accumulation excessive de tartre peut entraîner la nécessité de remplacer ou de réparer certains composants.

Tous les modèles :

- Sélectionner un programme de séchage minuté avec chaleur et mettre la sècheuse en marche. Ne pas sélectionner le réglage de température Air Only (air seulement).

Si la sècheuse ne démarre pas, vérifier ce qui suit :

- Les commandes sont réglées à la position de marche ou sur "On" (marche).
- Le bouton Start (mise en marche) a été enfoncé fermement.
- La sècheuse est branchée dans une prise reliée à la terre et/ou l'alimentation électrique est connectée.
- Le fusible du domicile est intact et serré; le disjoncteur n'est pas déclenché.
- La porte de la sècheuse est fermée.

Cette sècheuse démarre automatiquement une procédure de diagnostic au début du premier programme.

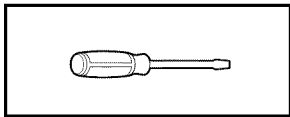
Si l'on reçoit un code L2, il y a peut-être un problème au niveau de l'alimentation électrique du domicile empêchant l'élément chauffant de la sècheuse de se mettre en marche. Voir "Dépannage".

Si l'écran de circulation d'air affiche "Check Vent" (Vérifier le conduit d'évacuation), il est possible que le conduit d'évacuation de la sècheuse soit écrasé ou bloqué. Voir "Dépannage".

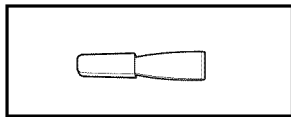
REMARQUE : Il est possible que la sècheuse dégage une certaine odeur lorsqu'elle chauffe pour la première fois. Cette odeur est normale lorsque l'élément chauffant est utilisé pour la première fois. L'odeur disparaîtra.

INVERSION DU SENS D'OUVERTURE DE LA PORTE

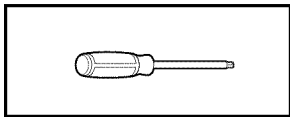
Outillage nécessaire :



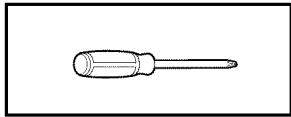
Tournevis à lame plate



Couteau à mastic en plastique



Tournevis TORX T25^{®†} de 8" (20 cm) min. de long.



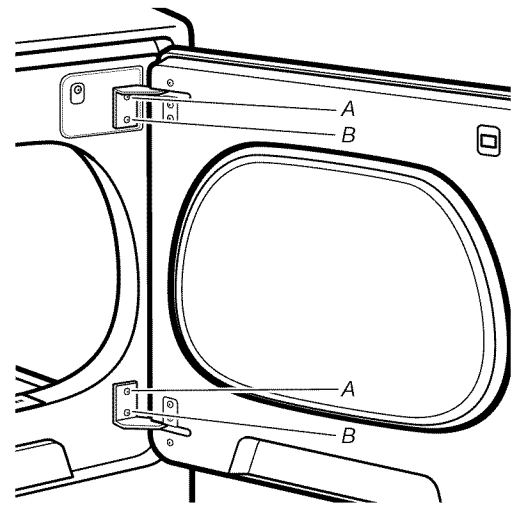
Tournevis Phillips n° 2

Le sens d'ouverture de la porte peut être changé du côté droit au côté gauche, si désiré.

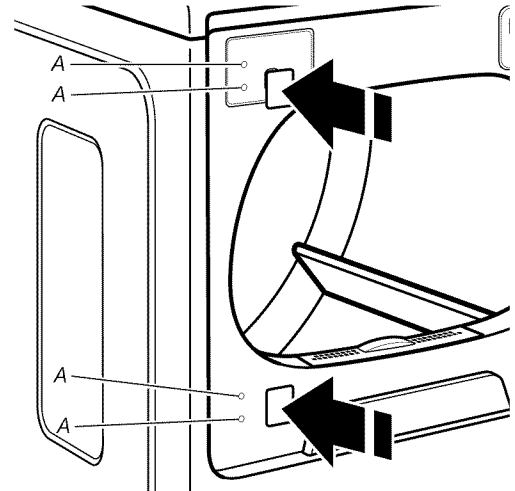
1. Placer une serviette ou un chiffon doux sur le dessus de la sècheuse ou du plan de travail pour éviter d'endommager la surface.

Retirer la porte de la caisse de la sècheuse

1. Ouvrir la porte de la sècheuse.
2. À l'aide d'un tournevis T25[®], retirer d'abord les vis (A), et ensuite les vis (B) de chacune des deux charnières qui fixent la porte de la sècheuse au panneau avant de la sècheuse. Mettre de côté les vis de charnière pour réinstaller la porte.



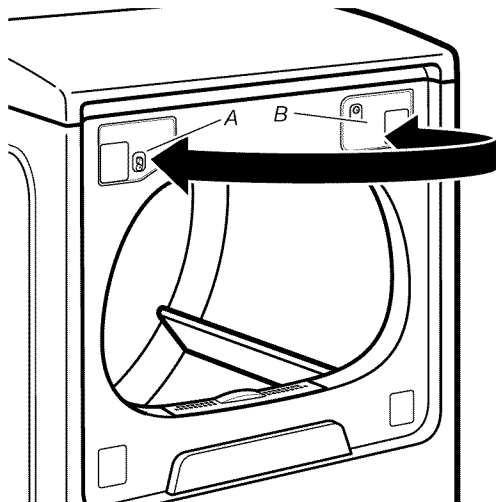
3. Retirer la porte de la sècheuse en la soulevant à la verticale pour séparer la porte de la caisse. Poser la porte sur une surface plane protégée, côté intérieur (partie interne de la porte) vers le haut.
4. Retirer les 2 chevilles de plastique (A) situées à l'extérieur de l'ouverture de la porte de la sècheuse.



5. Installer 2 chevilles de plastique (A) dans les trous des vis sur la gauche de la sècheuse, là où les charnières ont été retirées à l'étape 4.

Inversion de la gâche

1. Retirer la gâche de la porte (A) de l'ouverture de la porte de la sècheuse.
2. Retirer la vis esthétique (B) à l'opposé de la gâche de la porte (A).



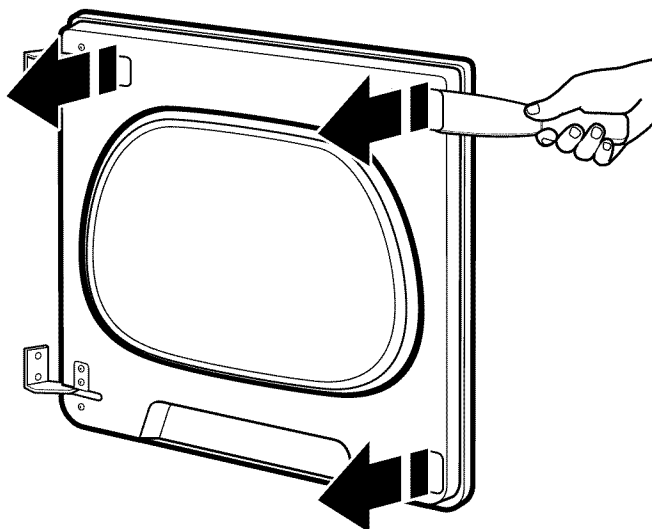
A. Gâche et boîtier
B. Vis esthétique

3. Réinstaller la gâche de la porte et la vis esthétique au côté opposé de leur emplacement initial.

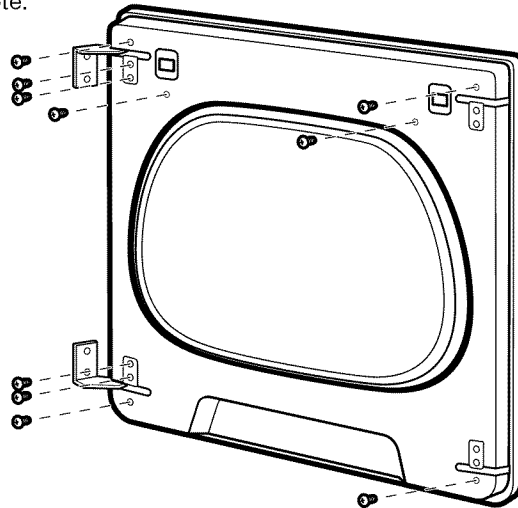
REMARQUE : La gâche de la porte et les chevilles doivent être sur le même côté de l'ouverture de la porte.

Dépose de la porte

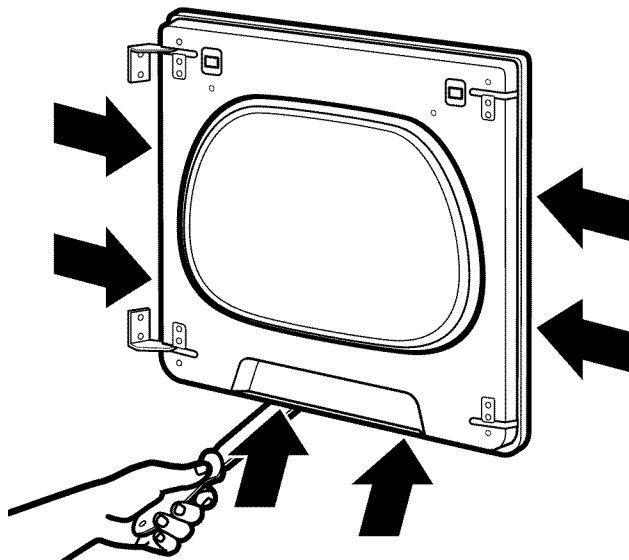
1. Poser la porte sur une surface plane protégée, côté intérieur (partie interne de la porte) vers le haut. Retirer les 3 chevilles avec un couteau à mastic en plastique. Elles sont munies d'une ouverture pour y insérer le couteau à mastic et les extraire.



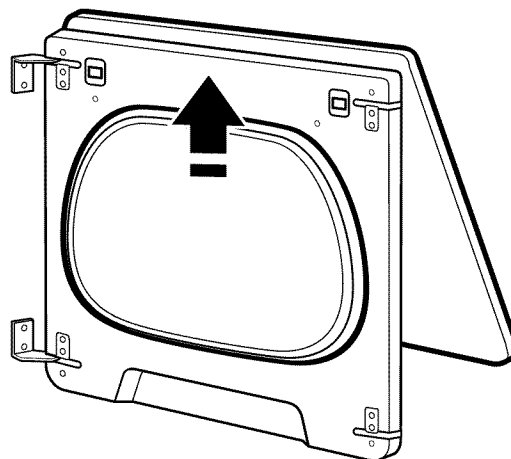
2. Retirer les 10 vis de la porte de la sècheuse et les mettre de côté.



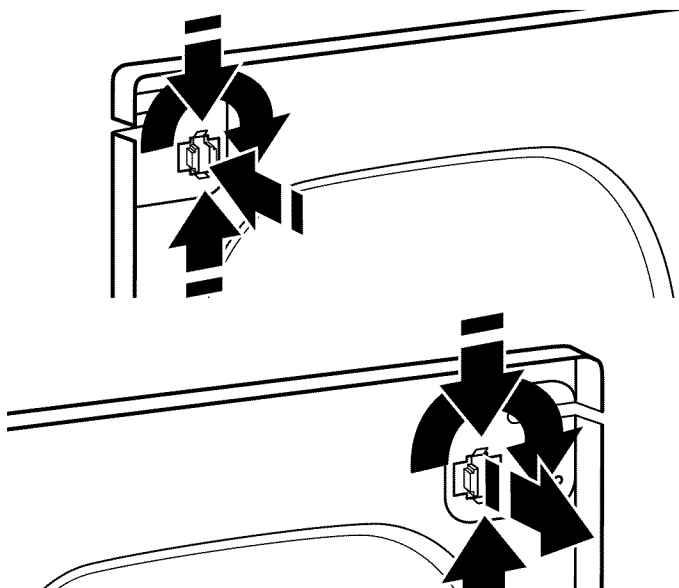
3. Retirer la porte intérieure en séparant les côtés et le bas de la porte de la sècheuse et de la garniture à l'aide d'un couteau à mastic en plastique. 2 attaches sont situées sur la gauche, sur la droite et sur le bas de la porte. Insérer le couteau à mastic à côté des attaches.



4. Une fois la porte séparée du cadre, soulever l'onglet central à l'aide d'un couteau à mastic, et sortir la porte en la tirant vers soi.

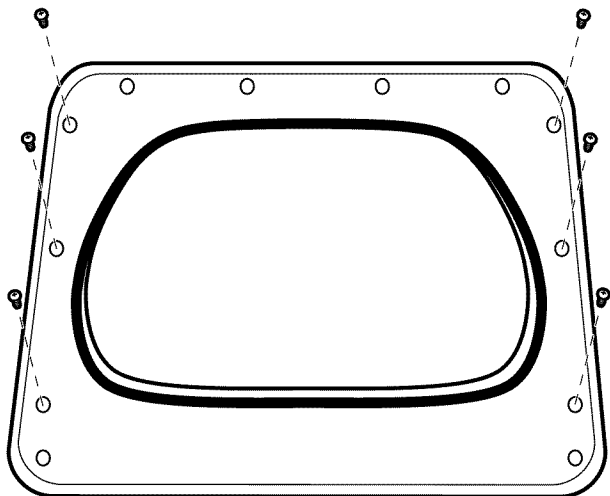


5. Retirer la cheville de la gâche de la porte avec un tournevis à tête plate. Retirer la gâche de la porte en pinçant les agrafes de l'intérieur du panneau de la porte, puis en les faisant pivoter et en appuyant sur l'avant. Insérer la gâche de la porte en la poussant en place de l'autre côté de la porte de la sécheuse, puis insérer la cheville de la gâche de la porte.

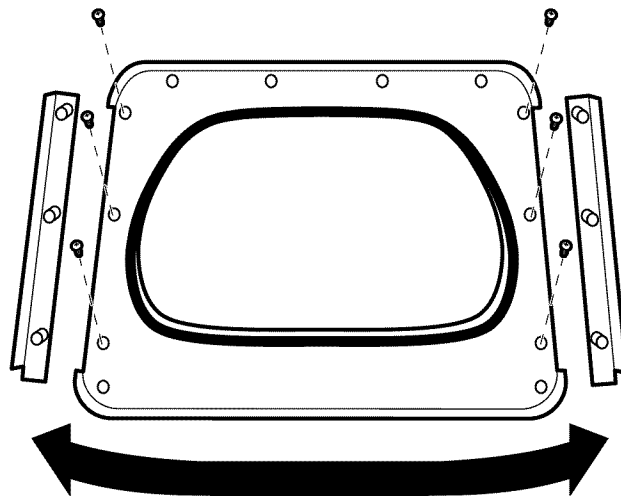


6. Retirer les charnières de la porte et les mettre de côté.

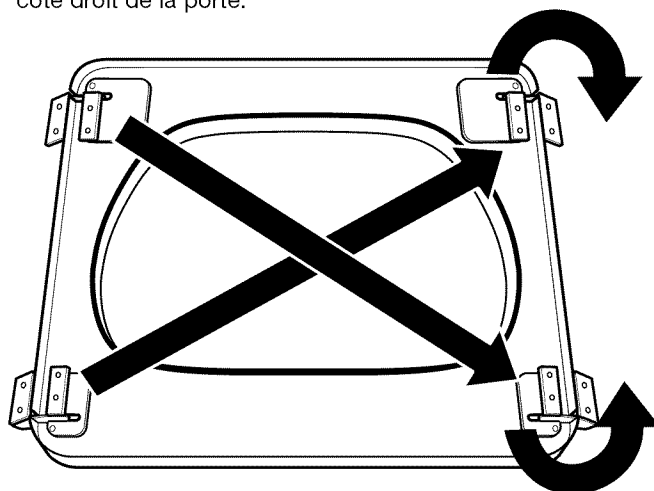
7. Retirer les 3 vis sur les côtés gauche et droit de la porte pour retirer les garnitures extérieures.



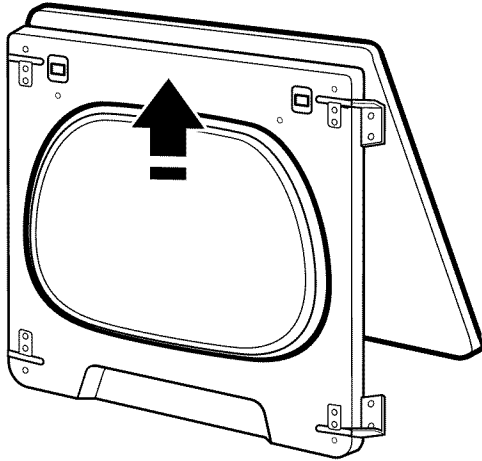
8. Soulever la porte et faire pivoter les garnitures du côté opposé par rapport à leur emplacement initial. Ensuite, revisser les garnitures en place.



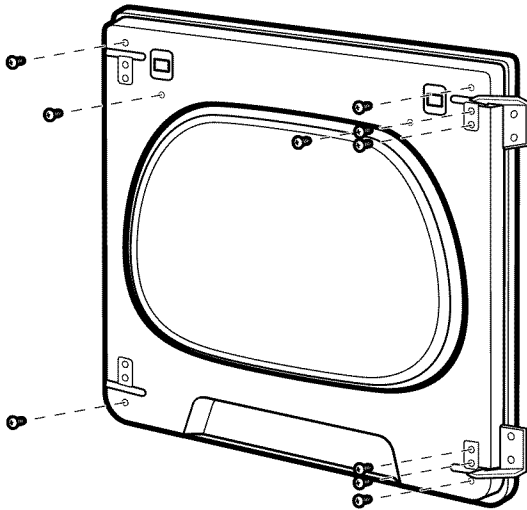
9. Ajouter les charnières sur le côté droit de la porte, puis basculer la charnière portant la mention 1 sur le bas du côté droit, et la charnière portant la mention 2 sur le sommet du côté droit de la porte.



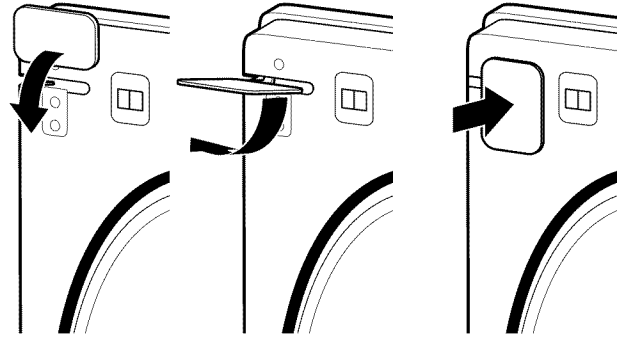
10. Remettre en place le panneau intérieur de la porte sur la porte en faisant coulisser le sommet sur la garniture supérieure, et abaisser la porte. Ensuite, emboîter en appuyant sur les coins, avec les charnières alignées dans les trous de charnières.



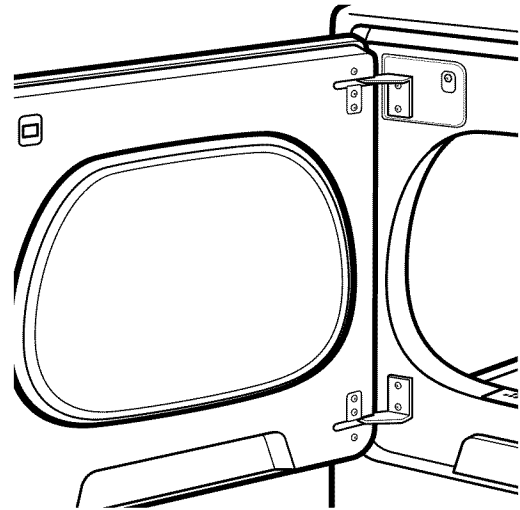
11. Installer les 6 vis de charnière et les 4 autres vis.



12. Installer les couvre-charnières et les chevilles. Les couvre-charnières s'insèrent de côté, puis se pivotent à 90° pour s'emboîter en place.



13. Suspendre la porte en insérant une goupille à demeure dans le trou de la caisse du cabinet et en glissant la porte vers le bas. À l'aide d'un tournevis T25®, installer d'abord des vis (A), et ensuite les vis (B). Serrer toutes les vis de la charnière.



W10725269B
W10725272B-SP

®/™ ©2015.
All rights reserved.
Tous droits réservés.

02/15
Printed in U.S.A.
Imprimé aux É.-U.