

Installation Instructions (USA only)

MODELS DSKS433 AND DSKS333 MUST BE INSTALLED WITH CONTROL PANEL AT BOTTOM IN ORDER TO OPERATE ADEQUATELY.

Questions? Call: 800.GE.CARES (US) or visit our web site at: www.GEAppliances.com (US)

BEFORE YOU BEGIN

Read these instructions completely and carefully.

- **IMPORTANT-** Save these instructions for local inspector's use.
- **IMPORTANT-** Observe all governing codes and ordinances.
- **Note to Installer** - Be sure to leave these instructions with the customer.
- **Note to Customer** - Keep these instructions with your Owner's Manual for future reference.
- Before the old dryer is removed from service or discarded, remove the dryer door.
- Service information and the wiring diagram are located in the control console.
- Do not allow children on or in the appliance. Close supervision of children is necessary when the appliance is used near children.
- Install the dryer where the temperature is above 50°F for satisfactory operation of the dryer control system.
- Product failure due to improper installation is not covered under the Warranty.
- Dryers installed in garages (if allowed by local codes) must be elevated 18 inches (46 cm) above the floor.

⚠ WARNING RISK OF FIRE

- To reduce the risk of severe injury or death, follow all installation instructions.
- Clothes dryer installation must be performed by a qualified installer.
- Install the clothes dryer according to these instructions and in accordance with local codes. In the absence of local codes, installation must comply with the NATIONAL ELECTRICAL CODE, ANSI/NFPA NO. 70.
- This dryer must be exhausted to the outdoors.
- Use only 4" rigid metal ducting for exhausting the clothes dryer to the outdoors.
- DO NOT install a clothes dryer with flexible plastic ducting materials. If flexible metal (semi-rigid or foil-type) duct is installed, it must be UL listed and installed in accordance with the instructions found in "Connecting The Dryer To House Vent" on page 4 of this manual. Flexible venting materials are known to collapse, be easily crushed, and trap lint. These conditions will obstruct dryer airflow and increase the risk of fire.
- Do not install or store this appliance in any location where it could be exposed to water and or weather.
- Save these instructions. (Installers: Be sure to leave these instructions with the customer).

DETERMINE ELECTRICAL REQUIREMENTS FOR YOUR DRYER MODEL

- This dryer must be connected to an individual branch circuit of proper voltage and frequency as specified on Rating Plate (located inside dryer door) with no other appliances or fixtures attached.

EXCEPTION:

- A 120V receptacle is located on the back on the dryer and is available only for use with a washer that is affixed to the dryer with a WDF-85 kit. It may not be used for any other appliance or any conditions other than stated above (208V & 240V models only).
- Branch circuit must be protected by the required time-delay fuses or circuit breakers 208V or 240V installation - 30 amps 120V installation 15 or 20 amps.
- The electrical installation must conform to the national and local codes.

208V AND 240V MODELS ARE NOT APPROVED FOR 120V INSTALLATION.

TOOLS YOU WILL NEED



STACKING KITS FOR DRYERS

(Comes with individual Installation Instructions)

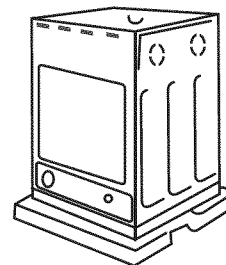
- Over washer
 - Use Wall Mount Kit WMK-35 or
 - Stack Rack DSDR24 or
 - Stack Rack DSR-24
- For alcove and closet depth and width requirements see specific kit instructions
- All stacking kits are available from your local sales outlet.

MATERIALS YOU WILL NEED



UNPACKING AND PREPARING FOR INSTALLATION

- Prepare the area and exhaust for installation of new dryer.
- Check and ensure the existing external exhaust is clean and meets attached installation specifications.
- Remove the literature and accessories bag from the dryer drum. Place the literature in a convenient place.
- Using foam pads from dryer carton, turn dryer upside down as shown.
- Install knobs. For location, refer to the Owner's Manual.
- Dryer is now ready to be mounted above washer using accessory kit.
- Remove the foam shipping pads from under dryer.
- Move the dryer to the desired location.
- Follow the steps in the following pages to connect the dryer to the external exhaust and power supply.



ELECTRICAL CONNECTION DETAILS

OBSERVE ALL GOVERNING CODES AND ORDINANCES

GROUNDING INSTRUCTIONS

- The operating voltage (Volts), Amperage (Amps) and Frequency (Hz) of this dryer are indicated on the Rating Plate located to the right of the loading port.
- Connect this dryer to a circuit corresponding to that indicated on Rating Plate and protected by fuses or a circuit breaker in accordance with local codes.
- Use a power supply cord kit marked for use with clothes dryer. For 208V and 240V models, use a power supply cord kit marked for use with clothes dryers.

DO NOT USE EXTENSION CORD WITH THIS APPLIANCE

For alternate 208V or 240V power supply hook-up, proceed as follows:

- Connect supply wire leads to terminal block as shown on sketch below, depending on type of installation.
- Make sure screws on terminal block are tight.

This appliance must be grounded. In the event of malfunction or breakdown, grounding will reduce the risk of electric shock by providing a path of least resistance for electrical current.

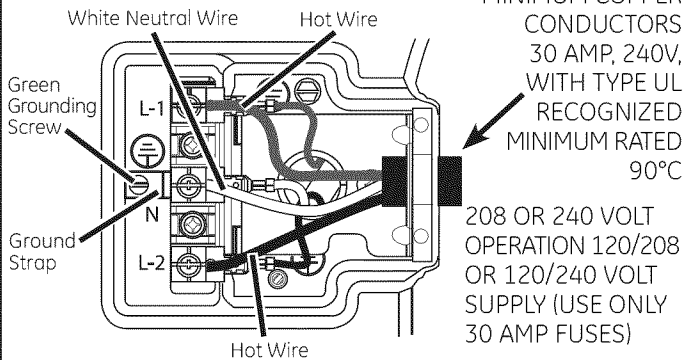
⚠WARNING: Improper connection of the equipment grounding conductor can result in a risk of electric shock. Check with a qualified electrician or serviceman if you are in doubt as to whether the appliance is properly grounded.

Do not modify the plug provided with the appliance - if it will not fit the outlet, have a proper outlet installed by a qualified electrician.

⚠WARNING: Appliance grounded to neutral conductor through a link. If used in a mobile home, a new construction, a recreational vehicle or if local codes do not permit grounding through neutral, a 4-conductor cord or cable assembly for use with clothes dryers must be used with the following specifications: Type St. Cable, 125/250 Min. Volt, 30 Amp with closed-loop terminals and secured with a UL recognized strain relief. See manufacturer's instructions.

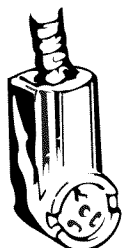
FOR THREE-WIRE SUPPLY (208V & 240V MODELS)

- Remove terminal block cover.
- Connect two (2) HOT lines to outer screws (L1 and L2) of terminal block.
- Connect Neutral line to center screw (N) of terminal block.



FOR PERSONAL SAFETY, THIS APPLIANCE MUST BE PROPERLY GROUNDED.

- Properly strain relief the cordset or cable to the cable entry hole with UL recognized strain relief.
- Replace terminal block cover.

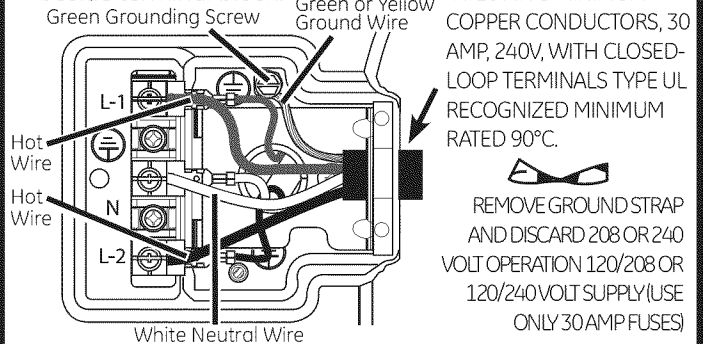


**3 WIRE RECEPTACLE
(10-30R)**

Typical 30 amp receptacle for use where local codes permit use of flexible type power supply cord (pigtail).

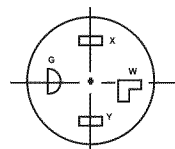
FOR FOUR-WIRE SUPPLY (208V & 240V MODELS)

- Remove terminal block cover.
- Remove ground strap and discard. Re-screw green grounding screw in place.
- Connect two (2) HOT lines to outer screws (L1 and L2) of terminal block.
- Connect Neutral line to center screw (N) of terminal block.
- Attach ground wire of power supply to green grounding screw beside terminal block.



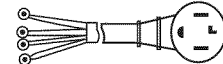
FOR PERSONAL SAFETY, THIS APPLIANCE MUST BE PROPERLY GROUNDED.

- Properly strain relief the cordset or cable to the cable entry hole with UL recognized strain relief.
- Replace terminal block cover.



4-WIRE RECEPTACLE (14-30R)

Typical 30 amp receptacle for use where local codes permit use of flexible type power supply cord (pigtail).



4-CONDUCTOR CORD ASSEMBLY (Type ST Cable)

Typical 30 amp cord assembly for use where local codes do not permit grounding through neutral.

EXHAUST INFORMATION

⚠ WARNING - IN CANADA AND IN THE UNITED STATES, THE REQUIRED EXHAUST DUCT DIAMETER IS 4 in (102mm). DO NOT USE DUCT LONGER THAN SPECIFIED IN THE EXHAUST LENGTH TABLE.

Using exhaust longer than specified length will:

- Increase the drying times and the energy cost.
- Reduce the dryer life.
- Accumulate lint, creating a potential fire hazard.

⚠ WARNING - BEFORE PERFORMING THIS EXHAUST INSTALLATION, BE SURE TO DISCONNECT THE DRYER FROM ITS ELECTRICAL SUPPLY.

The correct exhaust installation is **YOUR RESPONSIBILITY**. Problems due to incorrect installation are not covered by the warranty.

Remove and discard existing plastic or metal foil transition duct and replace with UL-listed transition duct.

The **MAXIMUM ALLOWABLE** duct length and number of bends of the exhaust system depends upon the type of duct, number of turns, the type of exhaust hood (wall cap), and all conditions noted below. The maximum duct length for rigid metal duct is shown in the table on the next page.

EXHAUST SYSTEM CHECK LIST

HOOD OR WALL CAP

- Terminate in a manner to prevent back drafts or entry of birds or other wildlife.
- Termination should present minimal resistance to the exhaust air flow and should require little or no maintenance to prevent clogging.
- Never install a screen in or over the exhaust duct. This could cause lint build up.
- Wall caps must be installed at least 12 in. above ground level or any other obstruction with the opening pointed down.

SEPARATION OF TURNS

For best performance, separate all turns by at least 4 ft. of straight duct, including distance between last turn and exhaust hood.

URNS OTHER THAN 90°

- One turn of 45° or less may be ignored.
- Two 45° turns should be treated as one 90° turn.

- Each turn over 45° should be treated as one 90° turn.

SEALING OF JOINTS

- All joints should be tight to avoid leaks. The male end of each section of duct must point away from the dryer.
- The duct shall not be assembled with screws or other fastening means that extend into the duct and catch lint.
- Duct joints can be made air and moisture-tight by wrapping the overlapped joints with duct tape.
- Horizontal runs should slope down toward the outdoors 1/4 inch per foot.

INSULATION

Ductwork that runs through an unheated area or is near air conditioning should be insulated to reduce condensation and lint build-up.

EXHAUST CONNECTION

⚠ WARNING - TO REDUCE THE RISK OF FIRE OR PERSONAL INJURY:

- This clothes dryer must be exhausted to the outdoors.
- Use only 4" rigid metal ducting for the home exhaust duct.
- Use only 4" rigid metal or UL-listed flexible metal (semi-rigid or foil-type) duct to connect the dryer to the home exhaust duct. It must be installed in accordance with the instructions found in "Connecting the Dryer to House Vent" on page 4 of this manual.
- Do not terminate exhaust in a chimney, a wall, a ceiling, gas vent, crawl space, attic, under an enclosed floor, or in any other concealed space of a building. The accumulated lint could create a potential fire hazard.
- Never terminate the exhaust into a common duct with a kitchen exhaust system. A combination of grease and lint creates a potential fire hazard.
- Do not use duct longer than specified in the exhaust length table. Longer ducts can accumulate lint, creating a potential fire hazard.
- Never install a screen in or over the exhaust duct. This will cause lint to accumulate, creating a potential fire hazard.
- Do not assemble ductwork with any fasteners that extend into the duct. These fasteners can accumulate lint, creating a potential fire hazard.
- Do not obstruct incoming or exhausted air.
- Provide an access for inspection and cleaning of the exhaust system, especially at turns and joints. Exhaust system shall be inspected and cleaned at least once a year.

ALTERNATE EXHAUST INSTRUCTIONS

IF YOUR DRYER COMES WITH REAR EXHAUST, TO CHANGE TO SIDE OR BOTTOM EXHAUST:

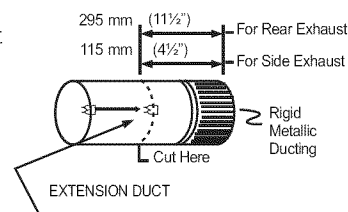
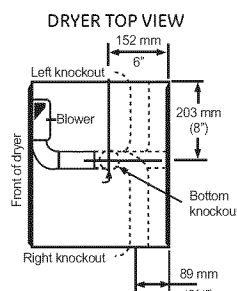
- Remove access panel at back of dryer to gain access to internal ducts.
- Disconnect duct exhaust from blower housing (remove tape securing duct).

FOR SIDE EXHAUST:

- Remove desired knockout plate (either right or left side).
- Cut a 115 mm (4 1/2") length of 100 mm (4") dia. rigid duct as shown (remove burrs from cut edge).
- Attach this extension duct to blower housing duct.
- Attach a 90° elbow facing desired opening.
- Attach a section of 100 mm (4") dia. rigid duct to elbow to protrude through side of cabinet.
- Seal all joints with duct tape.
- Reinstall rear access panel.

FOR BOTTOM EXHAUST:

- Remove cover plate at bottom of dryer.
- Install a 90° elbow.
- Seal all joints with duct tape.
- Reinstall rear access panel.
- Place cover plate (removed from bottom of dryer) over rear exhaust opening.



It is important to replace the ground clip after cutting the exhaust duct, (on rear exhaust model)

IF YOUR DRYER COMES WITH TOP EXHAUST, TO CHANGE TO SIDE OR REAR EXHAUST:

- Remove rear access panel.
- Disconnect retaining plate and 90° elbow by removing mounting screw from the chassis and remove tape securing elbow to blower housing.
- Remove cover plate from rear access panel and place over top exhaust opening.

FOR SIDE EXHAUST:

- Remove desired knockout plate (either right or left side).
- Take the duct previously removed and cut a 115 mm (4 1/2") length of 100 mm (4") dia. rigid duct as shown (remove burrs from cut edge).
- Attach this extension duct to blower housing duct.
- Attach the 90° elbow facing desired opening.
- Attach a section of 100 mm (4") dia. rigid duct to elbow to protrude through side of cabinet.
- Seal all joints with duct tape.
- Reinstall rear access panel.

FOR REAR EXHAUST:

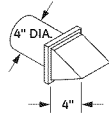
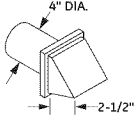
- Cut a 295 mm (11 1/2") length of 100 mm (4") dia. rigid duct as shown (remove burrs from cut edge).
- Attach this extension duct to blower housing.
- Seal all joints with duct tape. Reinstall rear access panel.

EXHAUST LENGTH CALCULATION

RIGID (Preferred)

Parts are available from your local service organization:

WX8X63 4"X1' Duct WX8X51 Elbow
 WX8X64 4"X2' Duct WX8X59 Aluminum hood

RECOMMENDED MAXIMUM LENGTH		
Exhaust Hood Types		
	Recommended	Use only for short run installations
		
No. of 90° Elbows	Rigid Metal	Rigid Metal
0	14 m (46 ft)	11 m (37 ft)
1	11 m (37 ft)	9 m (30 ft)
2	9 m (30 ft)	6.5 m (22 ft)
3	7 m (23 ft)	4.5 m (15 ft)

- For every extra 90° elbow, reduce the allowable vent system length by 10 ft.
- Two 45° elbows will be treated like one 90° elbow.
- For the side exhaust installations, add one 90° elbow to the chart.
- The total vent system length includes all the straight portions and elbows of the system (transition duct included).

FLEXIBLE

Total length of flexible metal duct shall not exceed 8 ft (2.4 m). The following kit is available from you local service organization:

Kit WX08X10077 - 4" dia. flexible metal (semi-rigid) UL-listed transition duct (includes 2 elbows).

CONNECTING THE DRYER TO HOUSE VENT

RIGID METAL TRANSITION DUCT

- For best drying performance, a rigid metal transition duct is recommended.
- Rigid metal transition ducts reduce the risk of crushing and kinking.

UL-LISTED FLEXIBLE METAL (SEMI-RIGID) TRANSITION DUCT

- If rigid metal duct cannot be used, then UL-listed flexible metal (semi-rigid) ducting can be used (Kit WX08X10077).
- Never install flexible metal duct in walls, ceilings, floors or other enclosed spaces.
- Total length of flexible metal duct should not exceed 8 feet (2.4 m).
- For many applications, installing elbows at both the dryer and the wall is highly recommended (see illustrations below). Elbows allow the dryer to sit close to the wall without kinking and or crushing the transition duct, maximizing drying performance.
- Avoid resting the duct on sharp objects.

NOTE TO INSTALLER - AFTER INSTALLATION CHECK THE FOLLOWING:

- EXHAUST DUCT - Must meet specs on page 3. No excessive turns. No kinks or obstructions to air flow.
- EXHAUST HOOD - Should work freely and open downward.
- GROUNDING - Dryer must be properly grounded to conform to local codes and ordinance requirements.
- OPERATION - Turn dryer on and check for heat.
- HAND CUSTOMER THE OWNER'S MANUAL - Give instructions on operating the dryer - Answer any questions.
- GIVE THESE INSTALLATION INSTRUCTIONS to the customer.

ALCOVE OR CLOSET INSTALLATION

- If your dryer is approved for installation in an alcove or closet, it will be stated on a label on the dryer back. The installation must conform to the following specifications:

⚠ WARNING: TO PREVENT LARGE AMOUNTS OF LINT AND MOISTURE FROM ACCUMULATING AND TO MAINTAIN DRYER EFFICIENCY, THIS MACHINE MUST BE EXHAUSTED OUTDOORS.

- Minimum clearances between dryer cabinet and adjacent walls or other surfaces are:

	Alcove	Closet
Sides	0"	1"
Top	1"	1"
Front	-	3"
Rear	3"	3"

- Minimum vertical space from floor to overhead cabinets, ceiling, etc. is 52 in.
- Closet doors must be louvered or otherwise ventilated and must contain at least 60 square inches of open area equally distributed. If the closet contains both a washer and a dryer, doors must contain at least 120 square inches of open area equally distributed.

NOTE: The clearances stated above are minimums. Consideration must be given to the type accessory kit used with dryer. Refer to the specific kit instruction for details.

UL-LISTED FLEXIBLE METAL (FOIL-TYPE) TRANSITION DUCT

- In special installations, it may be necessary to connect the dryer to the house vent using a flexible metal (foil-type) duct. A UL-listed flexible metal (foil-type) duct may be used ONLY in installations where rigid metal or flexible metal (semi-rigid) ducting cannot be used AND where a 4" diameter can be maintained throughout the entire length of the transition duct.
- In Canada and the United States, only the flexible metal (foil-type) ducts that comply with the "Outline for Clothes Dryer Transition Duct Subject 2158A" shall be used.
- Never install flexible metal duct in walls, ceilings, floors or other enclosed spaces.
- Total length of flexible metal duct should not exceed 8 feet (2.4 m).
- Avoid resting the duct on sharp objects.

For best drying performance

1. Slide one end of the duct over the clothes dryer outlet pipe.
2. Secure the duct with a clamp.
3. With the dryer in its permanent position, extend the duct to its full length. Allow 2" of duct to overlap the exhaust pipe. Cut off and remove excess duct. Keep the duct as straight as possible for maximum airflow.
4. Secure the duct to the exhaust pipe with the other clamp.

WHEN INSTALLED IN MANUFACTURED (MOBILE) HOMES

Dryer must be exhausted to the outside. Exhaust MUST NOT be terminated beneath mobile home. Exhaust material MUST NOT support combustion. Installation MUST conform to Manufactured Home Construction & Safety Standard, Title 24 CFR, Part 32-80 or when such standard is not applicable, the American National Standard of Mobile Homes, ANSI/NFRA No. 501B-1977. For electrical connection, see "Connecting dryer using 4 wire connection".

USE OF CASTERS (120V PORTABLE MODELS ONLY)

For a portable installation screw casters into the holes on the bottom of the dryer. Refer to the "Installation Instructions for caster assembly" sheet to install casters.