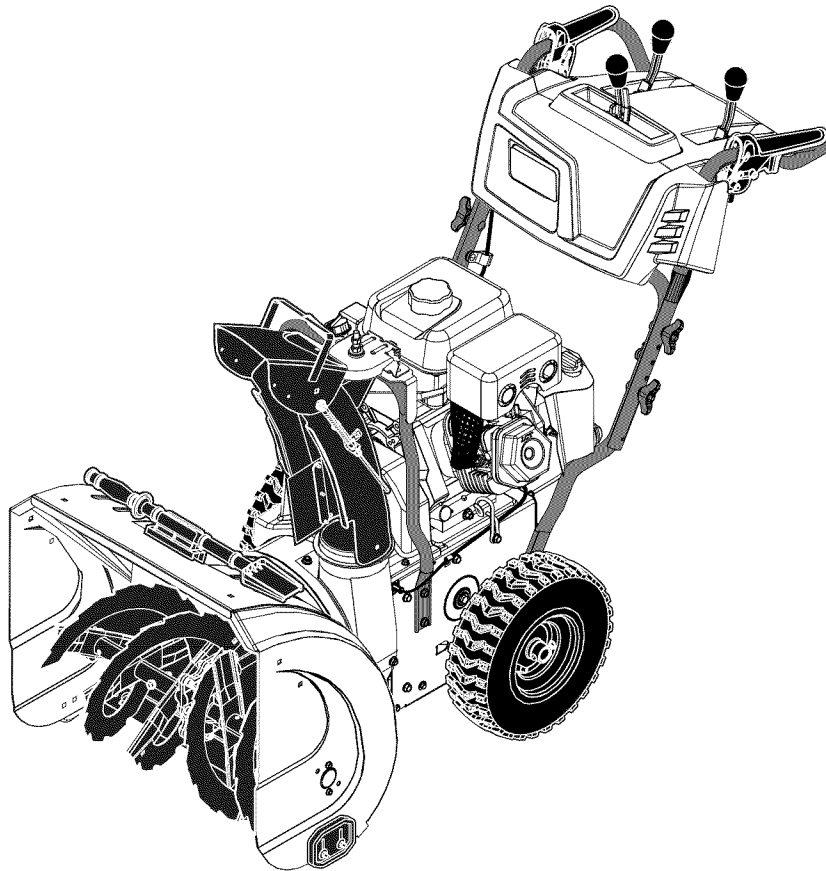


# Poulan PRO



## OWNER'S MANUAL

### MODEL NUMBER: **PR241** SNOW THROWER

**⚠ WARNING:**  
Read the Owner's Manual and follow all Warnings and Safety Instructions. Failure to do so can result in serious injury.

**Always Wear Eye Protection During Operation**

Gasoline containing up to 10% ethanol (E10) is acceptable for use in this machine. The use of any gasoline exceeding 10% ethanol (E10) will void the product warranty.

# IMPORTANT

## Safe Operation Practices for Walk-Behind Snow Throwers

This snow thrower is capable of amputating hands and feet and throwing objects. Failure to observe the following safety instructions could result in serious injury.



Look for this symbol to point out important safety precautions. It means **CAUTION!!! BECOME ALERT!!! YOUR SAFETY IS INVOLVED.**



**WARNING:** Always disconnect spark plug wire and place it where it cannot contact plug in order to prevent accidental starting when setting up, transporting, adjusting or making repairs.



**WARNING:** This snow thrower is for use on sidewalks, driveways and other ground level surfaces. Caution should be exercised while using on sloping surfaces. Do not use snow thrower on surfaces above ground level such as roofs of residences, garages, porches or other such structures or buildings.



**WARNING:** Snow throwers have exposed rotating parts, which can cause severe injury from contact, or from material thrown from the discharge chute. Keep the area of operation clear of all persons, small children and pets at all times including startup.



**CAUTION:** Muffler and other engine parts become extremely hot during operation and remain hot after engine has stopped. To avoid severe burns on contact, stay away from these areas.



**WARNING:** Engine exhaust, some of its constituents, and certain vehicle components contain or emit chemicals known to the State of California to cause cancer and birth defects or other reproductive harm.

### Training

1. Read, understand and follow all instructions on the machine and in the manual(s) before operating this unit. Be thoroughly familiar with the controls and the proper use of the equipment. Know how to stop the unit and disengage the controls quickly.
2. Never allow children to operate the equipment. Never allow adults to operate the equipment without proper instruction.
3. Keep the area of operation clear of all persons, particularly small children.
4. Exercise caution to avoid slipping or falling, especially when operating the snow thrower in reverse.

### Preparation

1. Thoroughly inspect the area where the equipment is to be used and remove all doormats, sleds, boards, wires, and other foreign objects.
2. Disengage all clutches and shift into neutral before starting the engine (motor).
3. Do not operate the equipment without wearing adequate winter garments. Avoid loose fitting clothing that can get caught in moving parts. Wear footwear that will improve footing on slippery surfaces.
4. Handle fuel with care; it is highly flammable
  - (a) Use an approved fuel container.
  - (b) Never add fuel to a running engine or hot engine.
  - (c) Fill fuel tank outdoors with extreme care. Never fill fuel tank indoors.
  - (d) Never fill containers inside a vehicle or on a truck or trailer bed with a plastic liner. Always place containers on the ground, away from your vehicle, before filling.
  - (e) When practical, remove gas-powered equipment from the truck or trailer and refuel it on the ground. If this is not possible, then refuel such equipment on a trailer with a portable container, rather than from a gasoline dispenser nozzle.

- (f) Keep the nozzle in contact with the rim of the fuel tank or container opening at all times, until refueling is complete. Do not use a nozzle lock-open device.
  - (g) Replace gasoline cap securely and wipe up spilled fuel.
  - (h) If fuel is spilled on clothing, change clothing immediately.
5. Use extension cords and receptacles as specified by the manufacturer for all units with electric drive motors or electric starting motors.
  6. Adjust the collector housing height to clear gravel or crushed rock surface.
  7. Never attempt to make any adjustments while the engine (motor) is running (except when specifically recommended by manufacturer).
  8. Always wear safety glasses or eye shields during operation or while performing an adjustment or repair to protect eyes from foreign objects that may be thrown from the machine.
  9. Use ear protectors to avoid damage to hearing.

### Operation

1. Do not put hands or feet near or under rotating parts. Keep clear of the discharge opening at all times.
2. Exercise extreme caution when operating on or crossing gravel drives, walks, or roads. Stay alert for hidden hazards or traffic.
3. After striking a foreign object, stop the engine (motor), remove the wire from the spark plug, disconnect the cord on electric motors, thoroughly inspect the snow thrower for any damage, and repair the damage before restarting and operating the snow thrower.
4. If the unit should start to vibrate abnormally, stop the engine (motor) and check immediately for the cause. Vibration is generally a warning of trouble.
5. Stop the engine (motor) whenever you leave the operating position, before unclogging the collector/impeller housing or discharge chute, and when making any repairs, adjustments or inspections.

6. When cleaning, repairing or inspecting the snow thrower, stop the engine and make certain the collector/impeller and all moving parts have stopped. Disconnect the spark plug wire and keep the wire away from the plug to prevent someone from accidentally starting the engine.
7. Do not run the engine indoors, except when starting the engine and for transporting the snow thrower in or out of the building. Open the outside doors; exhaust fumes are dangerous.
8. Exercise extreme caution when operating on slopes.
9. Never operate the snow thrower without proper guards, and other safety protective devices in place and working.
10. Never direct the discharge toward people or areas where property damage can occur. Keep children and others away.
11. Do not overload the machine capacity by attempting to clear snow at too fast a rate.
12. Never operate the machine at high transport speeds on slippery surfaces. Look behind and use care when operating in reverse.
13. Disengage power to the collector/impeller when snow thrower is transported or not in use.
14. Use only attachments and accessories approved by the manufacturer of the snow thrower (such as wheel weights, counterweights, or cabs).
15. Never operate the snow thrower without good visibility or light. Always be sure of your footing, and keep a firm hold on the handles. Walk; never run.

16. Never touch a hot engine or muffler.

### Clearing a Clogged Discharge Chute

Hand contact with the rotating impeller inside the discharge chute is the most common cause of injury associated with snow throwers. Never use your hand to clean out the discharge chute. To clear the chute:

1. SHUT THE ENGINE OFF!
2. Wait 10 seconds to be sure the impeller blades have stopped rotating.
3. Always use a clean-out tool, not your hands.

### Maintenance and Storage

1. Check shear bolts and other bolts at frequent intervals for proper tightness to be sure the equipment is in safe working condition.
2. Never store the machine with fuel in the fuel tank inside a building where ignition sources are present such as hot water heaters, space heaters, or clothes dryers. Allow the engine to cool before storing in any enclosure.
3. Always refer to operator's manual for important details if the snow thrower is to be stored for an extended period.
4. Maintain or replace safety and instruction labels, as necessary.
5. Run the machine a few minutes after throwing snow to prevent freeze-up of the collector/impeller.

**CONGRATULATIONS** on your purchase of a new snow thrower. It has been designed, engineered and manufactured to give best possible dependability and performance.

Should you experience any problem you cannot easily remedy, please contact your nearest authorized service center. We have competent, well-trained technicians and the proper tools to service or repair this unit.

Please read and retain this manual. The instructions will enable you to assemble and maintain your snow thrower properly. Always observe the "SAFETY RULES".

SERIAL NUMBER: \_\_\_\_\_

DATE OF PURCHASE: \_\_\_\_\_

THE MODEL AND SERIAL NUMBERS WILL BE FOUND ON A DECAL ATTACHED TO THE REAR OF THE SNOW THROWER HOUSING.

YOU SHOULD RECORD BOTH SERIAL NUMBER AND DATE OF PURCHASE AND KEEP IN A SAFE PLACE FOR FUTURE REFERENCE.

### PRODUCT SPECIFICATIONS

<b>Gasoline Capacity and Type:</b>	0.71 Gallons (2,7 Liters) Unleaded Regular only
<b>Oil Type (API SG-SL):</b>	SAE 30 (above 50°F) SAE 5W-30 or 10W-30 (32° to 50°F) SAE 5W-30 (below 32°F)
<b>Oil Capacity:</b>	19 Ounces (0,6 Liters)
<b>Spark Plug: Gap:</b>	F6RTP 0.030" (0,762 mm)

### CUSTOMER RESPONSIBILITIES

- Read and observe the safety rules.
- Follow a regular schedule in maintaining, caring for and using your snow thrower.
- Follow the instructions under "Maintenance" and "Storage" sections of this owner's manual.

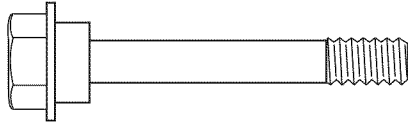
## TABLE OF CONTENTS

<b>SAFETY RULES</b> .....	<b>2-3</b>
<b>PRODUCT SPECIFICATIONS</b> .....	<b>3</b>
<b>CUSTOMER RESPONSIBILITIES</b> .....	<b>3</b>
<b>ASSEMBLY / PRE-OPERATION</b> .....	<b>5-6</b>
<b>OPERATION</b> .....	<b>7-12</b>
<b>MAINTENANCE SCHEDULE</b> .....	<b>13</b>

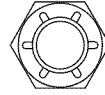
<b>MAINTENANCE</b> .....	<b>13-14</b>
<b>SERVICE AND ADJUSTMENTS</b> .....	<b>15-18</b>
<b>STORAGE</b> .....	<b>19</b>
<b>TROUBLESHOOTING</b> .....	<b>20</b>
<b>REPAIR PARTS</b> .....	<b>22-43</b>
<b>ENGINE BREAKDOWN</b> .....	<b>44-45</b>

# PARTS PACKED SEPARATELY IN CARTON

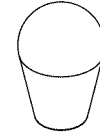
## EXTRA SHEAR BOLTS AND NUTS



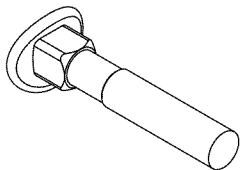
(2) SHEAR BOLTS 1/4-20 x 1-3/4



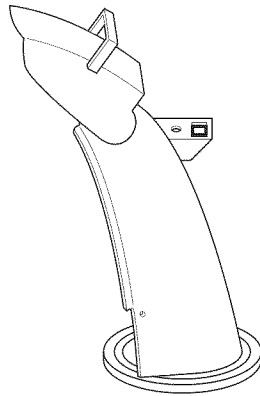
(2) LOCKNUTS  
1/4-20



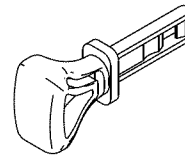
(3) KNOB



(2) CARRIAGE BOLTS  
5/16-18 x 2 1/4"

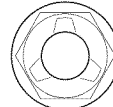


(1) DISCHARGE CHUTE

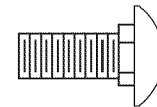


SAFETY  
IGNITION KEY (S)

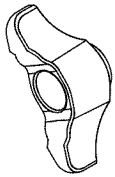
## CHUTE DEFLECTOR REMOTE CONTROL



(1) LOCKNUT  
5/16-18

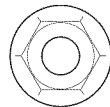


(1) CARRIAGE BOLT  
5/16-18 x 5/8



(2) HANDLE KNOBS

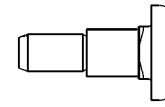
## ROTATOR HEAD MOUNTING



(1) LOCKNUT 3/8



(1) LOCKNUT  
1/4-20



(1) SHOULDER  
BOLT 1/4-20



(1) SPRING

# ASSEMBLY / PRE-OPERATION

Read these instructions and this manual in its entirety before you attempt to assemble or operate your new snow thrower. Reading the entire manual will familiarize you with the unit, which will assist you in assembly, operation and maintenance of the product.

Your new snow thrower has been assembled at the factory with the exception of those parts left unassembled for shipping purposes. All parts such as nuts, washers, bolts, etc., necessary to complete the assembly have been placed in the parts bag. To ensure safe and proper operation of your snow thrower, all parts and hardware you assemble must be tightened securely. Use the correct tools as necessary to ensure proper tightness.

## REMOVE SNOW THROWER FROM CARTON

1. Remove all accessible loose parts and parts boxes from carton.
2. Cut down all four corners of carton and lay panels flat.
3. Remove the two (2) screws securing the auger housing to the pallet and remove additional steel brackets from skid plate if equipped.
4. Remove all packing materials.
5. Remove plastic ties securing the snow thrower to the pallet.
6. Remove snow thrower from carton and check carton thoroughly for additional loose parts.

## HOW TO SET UP YOUR SNOW THROWER

Store the extra shear bolts and nuts provided in parts bag.

### UNFOLD UPPER HANDLE (See Figs. 1-3)

1. Raise upper handle to the operating position.

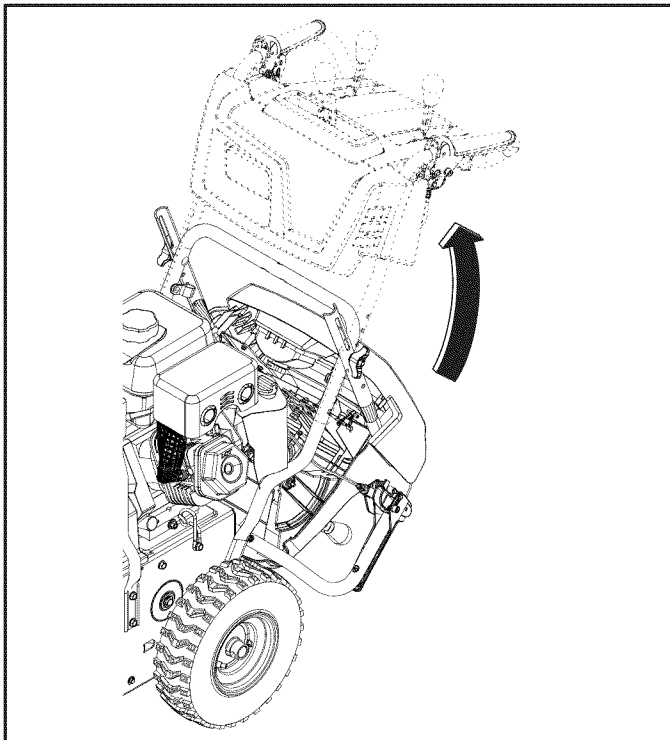


FIG. 1

2. Adjust the handle height to desired position using the appropriate mounting holes and tighten lower handle knobs securely.

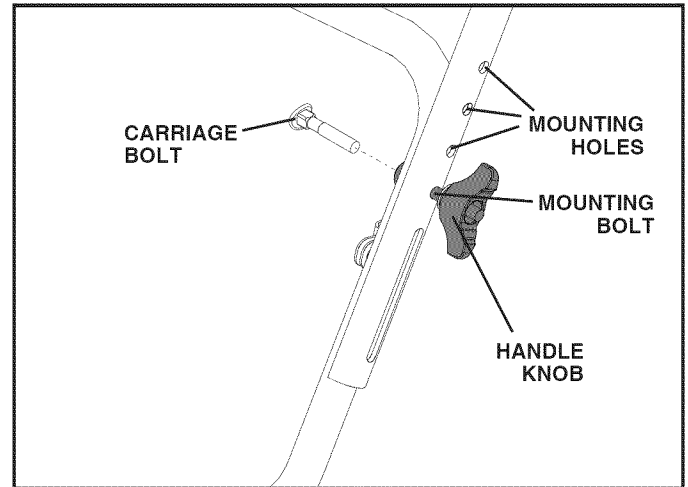


FIG. 2

3. Install the additional carriage bolts and handle knobs that are supplied in the bag of parts to secure upper handle to lower handle.

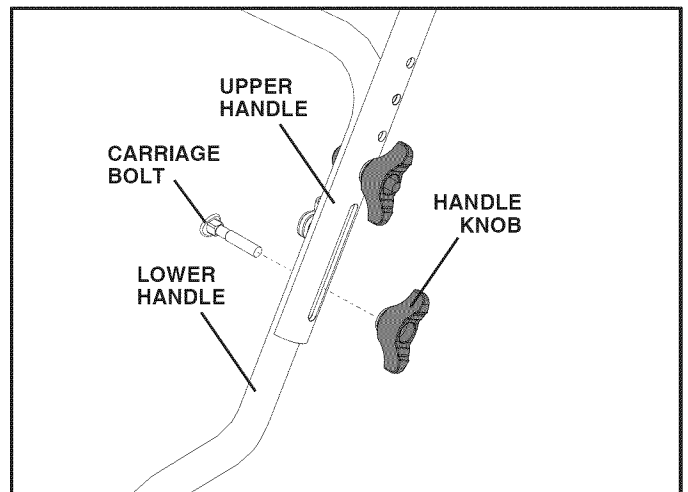


FIG. 3

# ASSEMBLY / PRE-OPERATION

## INSTALL DISCHARGE CHUTE/CHUTE ROTATOR HEAD (See Fig. 4 and 5)

1. Place discharge chute assembly on top of chute base with discharge opening toward front of snow thrower.
2. Position chute rotator head over chute bracket. If necessary, rotate chute assembly to align square and pin on underside of chute rotator head with holes in chute bracket.
3. With chute rotator head and chute bracket aligned, position chute rotator head on pin and threaded stud of mounting bracket.
4. Install locknut on threaded stud and tighten securely.

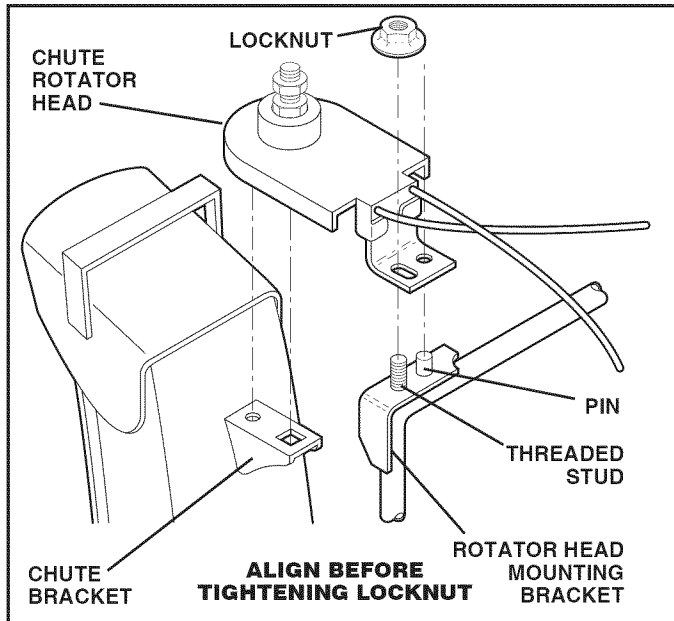


FIG. 4

5. Secure cables to the lower handle using the double clip.

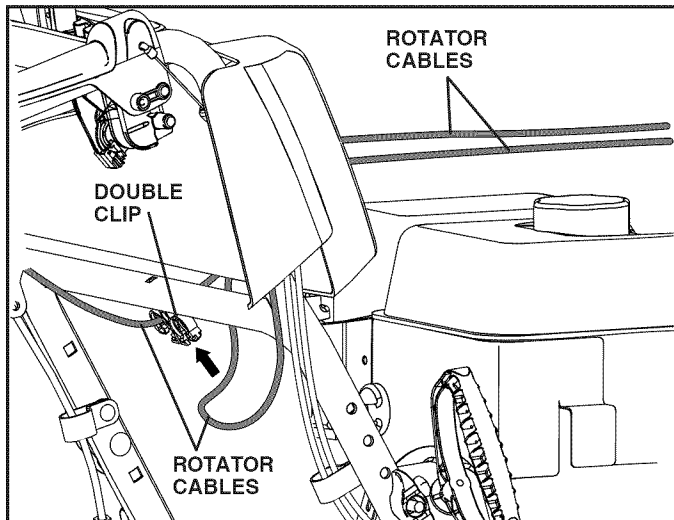


FIG. 5

## INSTALL CHUTE DEFLECTOR REMOTE CONTROL (See Figs. 6 and 7)

1. Install remote cable bracket to discharge chute with 5/16-18 carriage bolt and 5/16-18 locknut as shown. Tighten securely.
2. Install remote cable eyelet to chute deflector with 1/4-20 shoulder bolt and 1/4-20 locknut as shown. Tighten nut securely. Eyelet will be loose on shoulder bolt.
3. Install spring hooks between hex nuts on chute rotator head and into hole in chute deflector as shown.

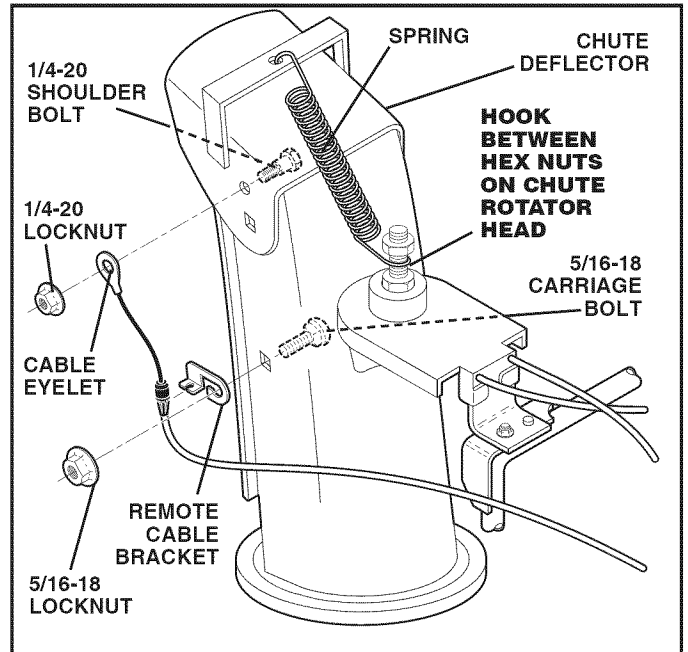


FIG. 6

4. Install all control lever knobs by pressing them down onto the control levers.

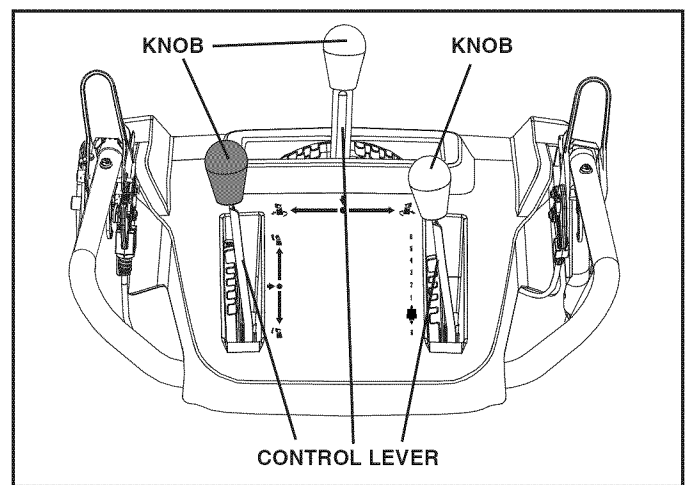


FIG. 7

## CHECK TIRE PRESSURE

The tires on your snow thrower were overinflated at the factory for shipping purposes. Correct and equal tire pressure is important for best snow throwing performance.

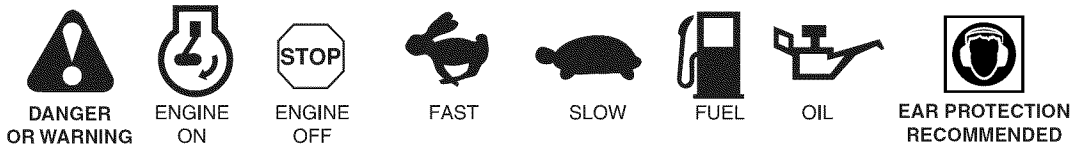
- Reduce tire pressure to 14-17 PSI.

# OPERATION

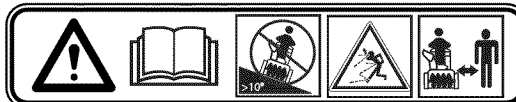
## KNOW YOUR SNOW THROWER

READ THIS OWNER'S MANUAL AND ALL SAFETY RULES BEFORE OPERATING YOUR SNOW THROWER. Compare the illustrations with your snow thrower to familiarize yourself with the location of various controls and adjustments. Save this manual for future reference.

These symbols may appear on your snow thrower or in literature supplied with the product. Learn and understand their meaning.



READ AND FOLLOW ALL SAFETY INFORMATION AND INSTRUCTIONS BEFORE USE OF THIS PRODUCT. KEEP THESE INSTRUCTIONS FOR FUTURE REFERENCE.



**DANGER**  
 READ OPERATORS MANUAL  
 DO NOT OPERATE ON STEEP SLOPES  
 WATCH FOR THROWN OBJECTS  
 OPERATE AT A SAFE DISTANCE FOR OTHER PEOPLE



1 IGNITION KEY. INSERT TO START AND RUN



2 CHOKE CLOSED (START)



3 PRIMER



4 RECOIL START



5 CHOKE OPEN (RUN)



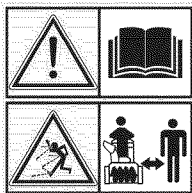
6 IGNITION KEY. PULL OUT TO STOP



**DANGER**

DO NOT PLACE HANDS NEAR BLADES

REMOVE SPARK PLUG WIRE BEFORE PERFORMING MAINTENANCE



**DANGER**

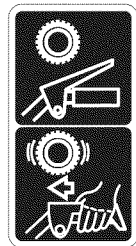
READ OPERATORS MANUAL  
 WATCH FOR THROWN OBJECTS  
 OPERATE AT A SAFE DISTANCE FROM OTHER PEOPLE



**DANGER, KEEP FEET AWAY**

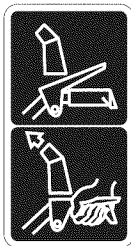


**DANGER, KEEP HANDS AWAY**



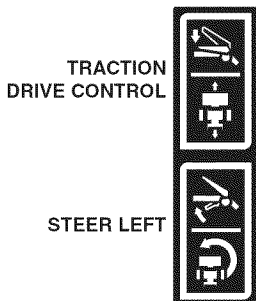
DISENGAGED

TRACTION DRIVE CONTROL



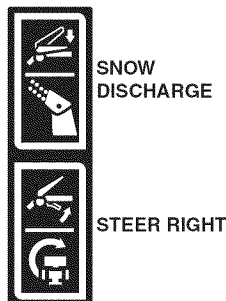
ENGAGED

SNOW DISCHARGE



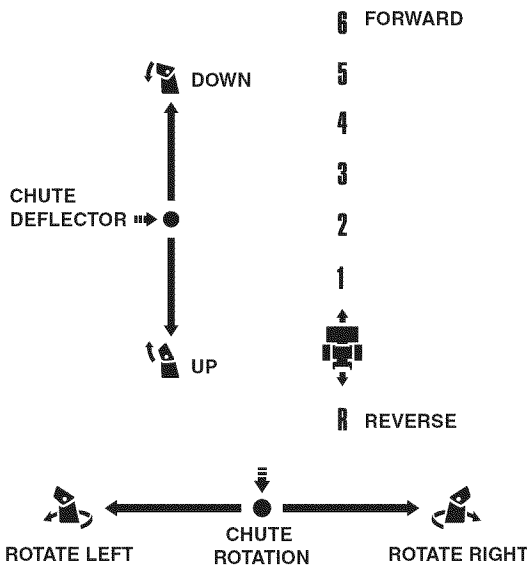
TRACTION DRIVE CONTROL

STEER LEFT



SNOW DISCHARGE

STEER RIGHT



# OPERATION

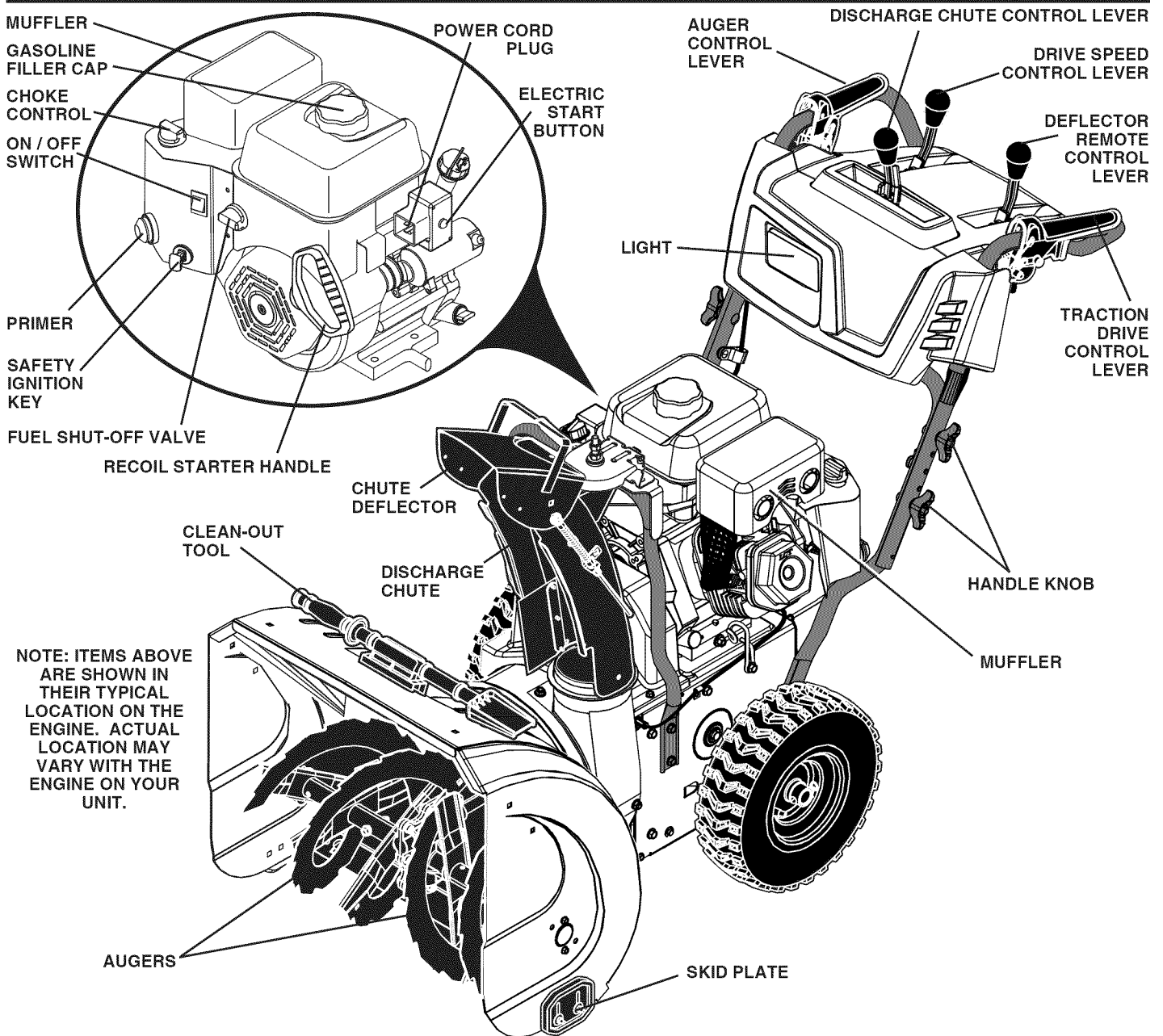


FIG. 8

## MEETS A.N.S.I. SAFETY REQUIREMENTS

Our snow throwers conform to the standards of the American National Standards Institute.

**Safety ignition key** - must be inserted for the engine to start and run. Remove when snow thrower is not in use.

**Electric start button** - used for starting the engine.

**Recoil starter handle** - used for starting engine.

**Primer** - pumps additional fuel from the carburetor to the cylinder for use when starting a cold engine.

**Choke Control** - used for starting a cold engine.

**ON / OFF switch** - used to STOP the engine.

**Fuel shut off valve** - used for shutting off the fuel flow to the engine.

**Drive speed control lever** - used to select forward or reverse motion and speed of snow thrower.

**Traction drive control lever** - used to engage power-propelled forward or reverse motion of snow thrower.

**Auger control lever** - used to engage auger motion (throw snow).

**Discharge chute control lever** - used to change the direction the snow is thrown.

**Deflector remote control lever** - used to change the distance the snow is thrown.

**Skid plate** - used to adjust height of scraper bar from the ground.



# OPERATION



The operation of any snow thrower can result in foreign objects thrown into the eyes, which can result in severe eye damage. Always wear safety glasses or eye shields while operating your snow thrower or performing any adjustments or repairs. We recommend standard safety glasses or a wide vision safety mask worn over spectacles.

## HOW TO USE YOUR SNOW THROWER

**Know how** to operate all controls before adding fuel or attempting to start the engine.

### STOPPING

#### TRACTION DRIVE

- Release traction drive control lever to stop the forward or reverse movement of the snow thrower.

#### AUGER

- Release the auger control lever to stop throwing snow.

#### ENGINE

- Move ON / OFF switch to "OFF" position.
- Remove (do not turn) safety ignition key to prevent unauthorized use.

**NOTE:** Never use choke to stop engine.

### TO USE FUEL SHUT-OFF VALVE (See Fig. 9)

The fuel shut-off valve is located beneath the fuel tank on the engine. Always operate the snow thrower with the fuel shut-off valve in the OPEN position.

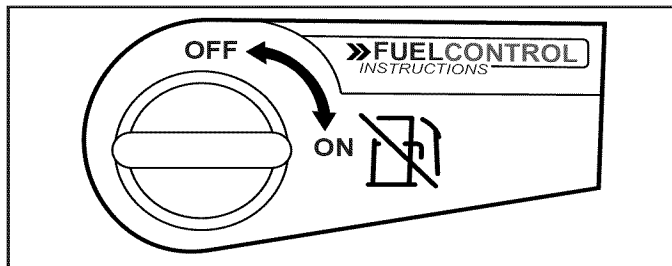


FIG. 9

### TO USE CHOKE CONTROL (See Fig. 10)

The choke control is located on the engine. Use the choke control whenever you are starting a cold engine. Do not use to start a warm engine.

- To engage choke, rotate lever clockwise to "FULL" position.

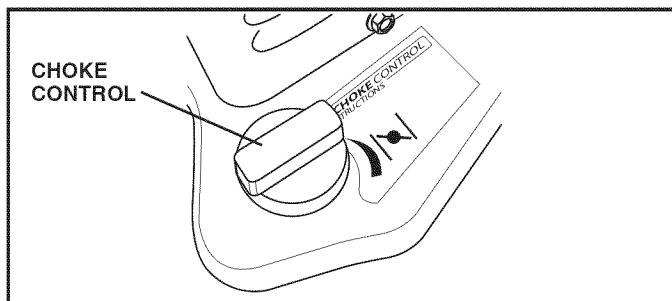


FIG. 10

### TO CONTROL SNOW DISCHARGE (See Fig. 11)



**WARNING:** Snow throwers have exposed rotating parts, which can cause severe injury from contact, or from material thrown from the discharge chute. Keep the area of operation clear of all persons, small children and pets at all times including startup.



**WARNING:** If the discharge chute or auger become clogged, shut-off engine and wait for all moving parts to stop. Use the clean-out tool, NOT YOUR HANDS, to unclog the chute and/or auger.

The DIRECTION in which snow is to be thrown is controlled by the discharge chute control lever.

- To change the discharge chute position, pull backward on discharge chute control lever and move lever left or right until chute is in desired position. Be sure lever springs back and locks into desired position.

The DISTANCE that snow is thrown is controlled by the position of the chute deflector. Set the deflector low to throw snow a short distance; set the deflector higher to throw snow farther.

- Push right on chute deflector control lever and move lever forward to lower the deflector and decrease the distance. Move lever back to raise the deflector and increase the distance. Be sure lever springs back and locks into desired position.

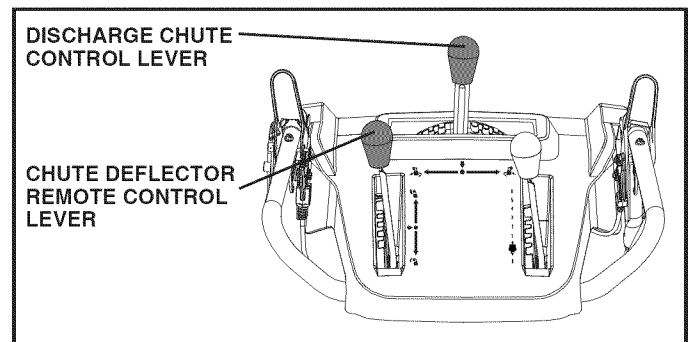


FIG. 11

### TO THROW SNOW (See Fig. 12)

The auger rotation is controlled by the auger control lever located on the right side handle.

- Squeeze auger control lever to handle to engage the auger and throw snow.
- Release the auger control lever to stop throwing snow.

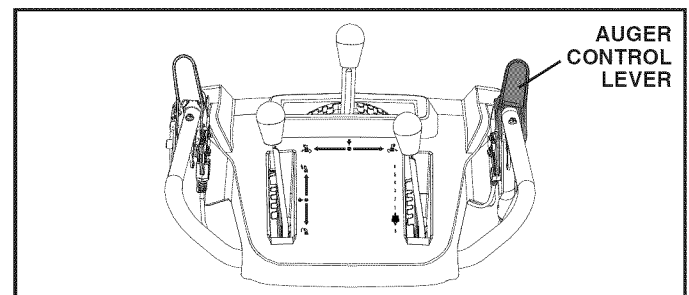


FIG. 12

# OPERATION

## USING THE CLEAN-OUT TOOL (See Fig. 13)

In certain snow conditions, the discharge chute may become clogged with ice and snow. Use the clean-out tool to dislodge this blockage.

**When cleaning, repairing, or inspecting, make certain all controls are disengaged and the auger/impeller and all moving parts have stopped. Disconnect the spark plug wire and keep the wire away from the spark plug to prevent accidental starting.**

- Release the auger control lever and shut off the engine.
- Remove the clean-out tool from its mounting clip. Grasp the tool firmly by the handle while pushing and twisting the tool into the discharge chute to dislodge the blockage.

After the packed snow has been dislodged, return the clean-out tool to its mounting clip by pushing it into the clip.

- Make sure the discharge chute is pointed in a safe direction (no vehicles, buildings, people, or other objects are in the direction of discharge) before restarting engine.
- Restart the engine, then squeeze the auger control lever to the handle to clear snow from the auger housing and the discharge chute.

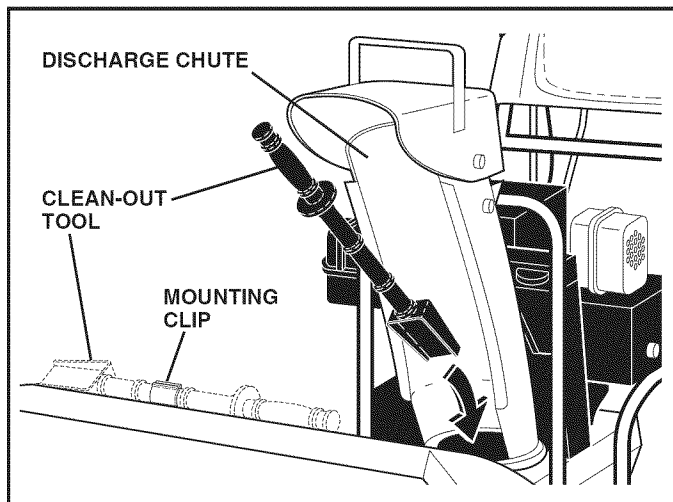


FIG. 13

## TO MOVE FORWARD AND BACKWARD (See Fig. 14)

SELF-PROPELLING, forward and reverse movement of the snow thrower, is controlled by the traction drive control lever located on the left side handle.

- Squeeze traction drive control lever to handle to engage the drive system.
- Release traction drive control lever to stop the forward or reverse movement of the snow thrower.

SPEED and DIRECTION are controlled by the drive speed control lever.

- Push right on the speed control lever and move lever to desired position BEFORE engaging the traction drive control lever. Be sure lever springs back and locks into desired position.

**CAUTION: Do not move speed control lever when traction drive control lever is engaged. Damage to the snow thrower can result.**

- Slower speeds are for heavier snow and faster speeds are for light snow and transporting the snow thrower. It is recommended that you use a slower speed until you are familiar with the operation of the snow thrower.

**NOTE:** When both traction drive and auger control levers are engaged, the traction drive control lever will lock the auger control lever in the engaged position. This will allow you to release your right hand from the handle and adjust the discharge chute direction without interrupting the snow throwing process.

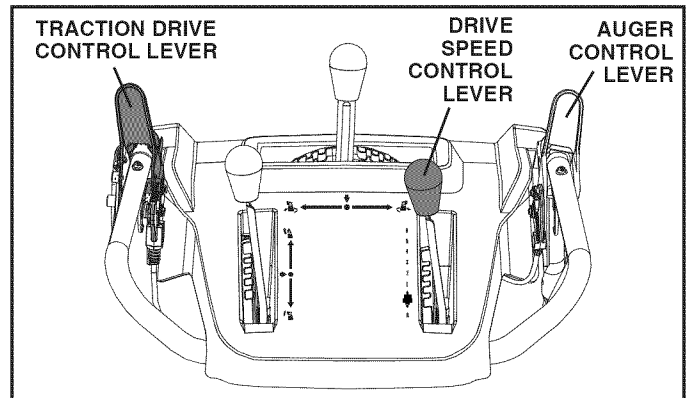


FIG. 14

# OPERATION

## TO ADJUST SKID PLATES (See Fig. 15)

**NOTE:** The wrench provided in your parts bag may be used to adjust the skid plates.

Skid plates are located on each side of the auger housing and adjust the clearance between the scraper bar and the ground surface. Adjust skid plates evenly to proper height for current surface conditions. For removal of snow in normal conditions, such as a paved driveway or sidewalk, place skid plates in the highest position (lowest scraper clearance) to give a 1/8" clearance between the scraper bar and the ground. Use a middle position if the surface to be cleared is uneven.

**NOTE:** It is not recommended to operate the snow thrower over gravel or rocky surfaces. Objects such as gravel, rocks or other debris, can easily be picked up and thrown by the impeller, which can cause serious personal injury, property damage or damage to the snow thrower.

- If snow thrower must be operated over gravel surface, use extra caution and be sure skid plates are adjusted to lowest (highest scraper clearance) position.
1. Shut off engine and wait for all moving parts to stop.
  2. Adjust skid plates by loosening the 1/2" hex nuts, then moving skid plate to desired position. Be sure both plates are adjusted evenly. Tighten securely.

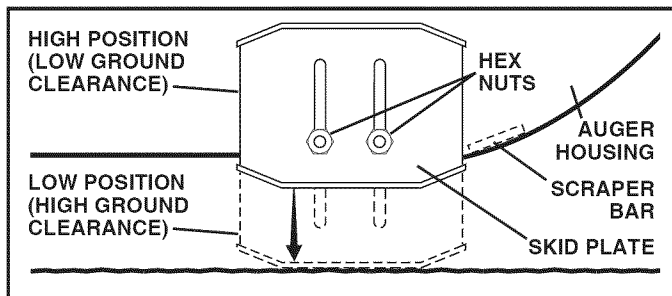


FIG. 15

## SCRAPER BAR (See Fig. 15)

The scraper bar is not adjustable, but is reversible. After considerable use it may become worn. When it has worn almost to the edge of the housing, it can be reversed, providing additional service before requiring replacement. Replace a damaged or worn scraper bar.

## BEFORE STARTING THE ENGINE

### CHECK ENGINE OIL LEVEL (See Fig. 16)

The engine on your snow thrower has been shipped from the factory already filled with oil.

1. Check engine oil with snow thrower on level ground.
  2. Remove oil fill cap/dipstick and wipe clean, reinsert the dipstick and screw tight, wait for a few seconds, remove and read oil level. If necessary, add oil until "FULL" mark on dipstick is reached. Do not overfill.
- To change engine oil, see "TO CHANGE ENGINE OIL" in the Maintenance section of this manual.

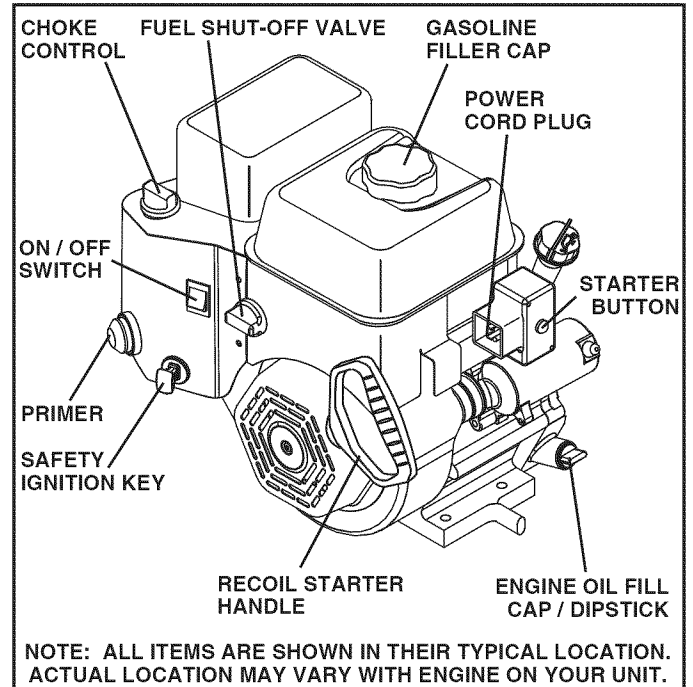
### ADD GASOLINE (See Fig. 16)

- Fill fuel tank to bottom of tank filler neck. Do not overfill. Use fresh, clean, regular unleaded gasoline with a minimum of 87 octane. Do not mix oil with gasoline. Purchase fuel in quantities that can be used within 30 days to assure fuel freshness.



**WARNING:** Wipe off any spilled oil or fuel. Do not store, spill or use gasoline near an open flame.

**CAUTION:** Alcohol blended fuels (called gasohol or using ethanol or methanol) can attract moisture which leads to separation and formation of acids during storage. Acidic gas can damage the fuel system of an engine while in storage. To avoid engine problems, the fuel system should be emptied before storage of 30 days or longer. Drain the gas tank, start the engine and let it run until the fuel lines and carburetor are empty. Use fresh fuel next season. See Storage Instructions for additional information. Never use engine or carburetor cleaner products in the fuel tank or permanent damage may occur.



**NOTE:** ALL ITEMS ARE SHOWN IN THEIR TYPICAL LOCATION. ACTUAL LOCATION MAY VARY WITH ENGINE ON YOUR UNIT.

FIG. 16

# OPERATION

## TO START ENGINE

- Ensure fuel shut-off valve is in the “OPEN” position.

Your snow thrower engine is equipped with both a 120 Volt A.C. electric starter and a recoil starter. The electric starter is equipped with a three-wire power plug and is designed to operate on 120 Volt A.C. household current.

- Ensure your house is a 120 Volt A.C. three-wire grounded system. If you are uncertain, consult a licensed electrician.

**NOTE:** Use an extension cord recommended for outdoor use that is not longer than 50 feet (15 m).



**WARNING: Do not use the electric starter if your house is not a 120 Volt A.C. three-wire grounded system. Serious personal injury or damage to your snow thrower could result.**

## COLD START - ELECTRIC STARTER

1. Insert safety ignition key (tied to recoil start cord) into ignition slot until it clicks. **DO NOT** turn the key. Keep the extra safety ignition key in a safe place.
2. Place ON / OFF switch in “ON” position.
3. Move choke control to “FULL” position.
4. Push the primer three (3) times.

**NOTE:** Over priming may cause flooding, preventing the engine from starting. If you do flood the engine, wait a few minutes before attempting to start and **DO NOT** push the primer.

5. Connect the extension cord to the engine.
6. Plug the other end of the extension cord into a three-hole grounded 120 Volt A.C. receptacle.
7. Push starter button until engine starts.

**IMPORTANT:** Do not crank engine more than five continuous seconds between each time you try to start. Wait 5 to 10 seconds between each attempt.

8. When the engine starts, release the starter button and slowly move the choke control to the “OFF” position.
9. Disconnect the extension cord from the receptacle first, then from the engine.

Allow the engine to warm up for a few minutes. Engine will not develop full power until it has reached normal operating temperature.

## WARM START - ELECTRIC STARTER

Follow the steps above, keeping the choke control in the “OFF” position.

## COLD START - RECOIL STARTER

1. Insert safety ignition key (tied to recoil start cord) into ignition slot until it clicks. **DO NOT** turn the key. Keep the extra safety ignition key in a safe place.
2. Place ON / OFF switch in “ON” position.
3. Rotate choke control to “FULL” position.
4. Push the primer three (3) times.

**NOTE:** Over priming may cause flooding, preventing the engine from starting. If you do flood the engine, wait a few minutes before attempting to start and **DO NOT** push the primer.

5. Pull recoil starter handle quickly. Do not allow starter rope to snap back.
6. When the engine starts, release the recoil starter handle and slowly move the choke control to the “OFF” position.

Allow the engine to warm up for a few minutes. Engine will not develop full power until it has reached normal operating temperature.

## WARM START - RECOIL STARTER

Follow the steps above, keeping the choke in the “OFF” position. **DO NOT** push the primer.

## BEFORE STOPPING

Run the engine for a few minutes to help dry off any moisture on the engine.

## IF RECOIL STARTER HAS FROZEN

If the recoil starter has frozen and will not turn the engine, proceed as follows:

1. Grasp the recoil starter handle and slowly pull as much rope out of the starter as possible.
2. Release the recoil starter handle and let it snap back against the starter.

If the engine still fails to start, repeat the above steps or use the electric starter.

## SNOW THROWING TIPS

- Go slower in deep, freezing or heavy wet snow. Use the drive speed control to adjust speed.
- It is easier and more efficient to remove snow immediately after it falls.
- The best time to remove snow is the early morning. At this time the snow is usually dry and has not been exposed to the direct sun and warming temperatures.
- Slightly overlap each successive path to ensure all snow will be removed.
- Throw snow downwind whenever possible.
- Adjust the skid plates to proper height for current snow conditions. See “TO ADJUST SKID PLATES” in this section of this manual.
- For extremely heavy snow, reduce the width of snow removal by overlapping previous path and moving slowly.
- Keep engine clean and clear of snow during use. This will help air flow and extend engine life.
- After snow-throwing is completed, allow engine to run for a few minutes to melt snow and ice off the engine.
- Clean the entire snow thrower thoroughly after each use and wipe dry so it is ready for next use.



**WARNING: Do not operate snow thrower if weather conditions impair visibility. Throwing snow during a heavy, windy snowstorm can blind you and be hazardous to the safe operation of the snow thrower.**



# MAINTENANCE

## SNOW THROWER

Always observe the safety rules when performing any maintenance.

### TIRES

- Maintain proper air pressure in both tires (14–17 PSI).
- Keep tires free of gasoline and oil, which can harm rubber.

**NOTE:** To seal tire punctures and prevent flat tires due to slow leaks, tire sealant may be purchased from your local parts dealer. Tire sealant also prevents tire dry rot and corrosion.

### BELTS

Check belts for deterioration and wear after every 50 hours of operation and replace if necessary. The belts are not adjustable. Replace belts if they begin to slip from wear. (See “TO REMOVE BELT COVER” in the Service and Adjustments section of this manual).

The belts on your snow thrower are of special construction and should be replaced by original equipment manufacturer (OEM) belts available from your nearest dealer. Using other than OEM belts can cause personal injury or damage to the snow thrower.

### AUGER GEAR CASE

- The gear case was filled with lubricant to the proper level at the factory. The only time the lubricant needs attention is if service has been performed on the gear case.
- If lubricant is required, use only Ronex ED #1 grease.

### TRACTION DRIVE SYSTEM

DO NOT lubricate the drive components inside the snow thrower. The sprockets, hex shafts, drive disc and friction wheel require no lubrication. The bearings and bushings are lifetime lubricated and require no maintenance.

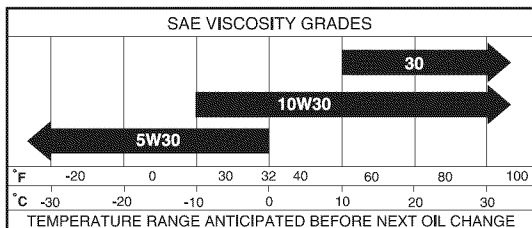
**CAUTION: Any lubricating of the above components can cause contamination of the friction wheel and damage to the drive system of your snow thrower.**

## ENGINE

See engine manual.

### LUBRICATION

Use only high quality detergent oil rated with API service classification SG–SL. Select the oil's SAE viscosity grade according to your expected operating temperature.



**NOTE:** Although multi-viscosity oils (5W30, 10W30 etc.) improve starting in cold weather, these multi-viscosity oils will result in increased oil consumption when used above 32°F. Check your engine oil level more frequently to avoid possible engine damage from running low on oil.

Change the oil after every 25 hours of operation or at least once a year if the snow thrower is not used for 25 hours in one year.

Check the crankcase oil level before starting the engine and after each five (5) hours of continuous use. Tighten oil fill cap / dipstick securely each time you check the oil level.

### TO CHANGE ENGINE OIL

Determine temperature range anticipated before next oil change. All oil must meet API service classification SG–SL.

- Be sure snow thrower is on level surface.
- Oil will drain more freely when warm.
- Catch oil in a suitable container.

**NOTE:** A wheel may be removed from snow thrower for easier access to the oil drain plug and placement of a suitable container.

1. Remove safety ignition key and disconnect spark plug wire from spark plug. Place wire where it cannot come in contact with spark plug.
2. Clean area around drain plug.
3. Remove drain plug and drain oil in a suitable container.
4. Install drain plug and tighten securely.
5. Wipe off any spilled oil from snow thrower and engine.
6. Install left wheel (if removed for draining oil). Be sure to install wheel pin and retainer pin into proper hole in wheel axle (See “TO REMOVE WHEELS” in the Service and Adjustments section of this manual).
7. Remove oil fill cap/dipstick. Be careful not to allow dirt to enter the engine.
8. Refill engine with oil through oil dipstick tube. Pour slowly. Do not overfill. For approximate capacity see “PRODUCT SPECIFICATIONS” section of this manual.
9. Use gauge on oil fill cap/dipstick for checking level. Be sure dipstick cap is tightened securely for accurate reading. Keep oil at “FULL” line on dipstick.
10. Wipe off any spilled oil.

### MUFFLER

Inspect and replace corroded muffler as it could create a fire hazard and/or damage.

### SPARK PLUG

Replace spark plug at the beginning of each season or after every 100 hours of operation, whichever occurs first. Spark plug type and gap setting are shown in the “PRODUCT SPECIFICATIONS” section of this manual.

### CLEANING

**IMPORTANT:** For best performance, keep snow thrower housing free of any dirt or trash. Clean the outside of your snow thrower after each use.



**WARNING: Remove safety ignition key and disconnect spark plug wire from spark plug. Place wire where it cannot come in contact with spark plug.**

- Keep finished surfaces/wheels free of gasoline, oil, etc.
- We do not recommend using a garden hose to clean your snow thrower unless the electrical system, muffler and carburetor are covered to keep water out. Water in engine can result in shortened engine life.

# SERVICE AND ADJUSTMENTS

**WARNING:** To avoid serious injury, before performing any service or adjustments:

1. Be sure the on/off switch is in the OFF position.
2. Remove safety ignition key.
3. Make sure the augers and all moving parts have completely stopped.
4. Disconnect spark plug wire from spark plug and place wire where it cannot come in contact with plug.



## SNOW THROWER

### TO ADJUST SNOW THROWER HEIGHT

See "TO ADJUST SKID PLATES" and "SCRAPER BAR" in the Operation section of this manual.

### CHUTE DEFLECTOR

The chute deflector, attached to the top of the discharge chute, is provided to direct discharging snow away from the operator. If the deflector becomes damaged, it should be replaced.



**WARNING:** To avoid serious injury, never operate your snow thrower with the deflector removed or damaged.

- To change direction and/or distance snow is discharged, see "TO CONTROL SNOW DISCHARGE" in the Operation section of this manual.

### SHEAR BOLTS (See Fig. 17)

#### AUGER SHEAR BOLTS

Both right and left-hand augers are secured to the auger shaft with a shear bolt and hex nut. Should a foreign object or ice become lodged in the augers, the shear bolts are designed to break, preventing damage to any other components. If one or both augers do not turn when auger control lever is engaged, check to see if one or both of the bolts have sheared. To replace the shear bolts:

1. Disengage all controls and move throttle control to STOP position. Wait for all moving parts to stop.
2. Remove safety ignition key and disconnect spark plug wire from spark plug. Place wire where it cannot come in contact with spark plug.
3. Align hole in auger hub with hole in auger shaft and install a new 1/4-20 x 2" shear bolt. Install 1/4-20 lock nut and tighten securely.

**CAUTION:** Do not substitute. Use only original equipment shear bolts as supplied with your snow thrower.

4. Insert safety ignition key and reconnect spark plug wire to spark plug.

#### IMPELLER SHEAR BOLTS

The impeller is secured to the impeller shaft with two (2) shear bolts and hex nuts. Should a foreign object or ice become lodged in the impeller, the shear bolts are designed to break, preventing damage to any other components. If impeller does not turn when auger control lever is engaged, check to see if the shear bolts have sheared.

To replace the shear bolts:

1. Disengage all controls and move throttle control to STOP position. Wait for all moving parts to stop.
2. Remove safety ignition key and disconnect spark plug wire from spark plug. Place wire where it cannot come in contact with spark plug.
3. Align holes in impeller hub with holes in impeller shaft and install two (2) new 2" shear bolts. Install 1/4-20 locknuts and tighten securely.

**CAUTION:** Do not substitute. Use only original equipment capscrew/shear bolts as supplied with your snow thrower.

4. Insert safety ignition key and reconnect spark plug wire to spark plug.

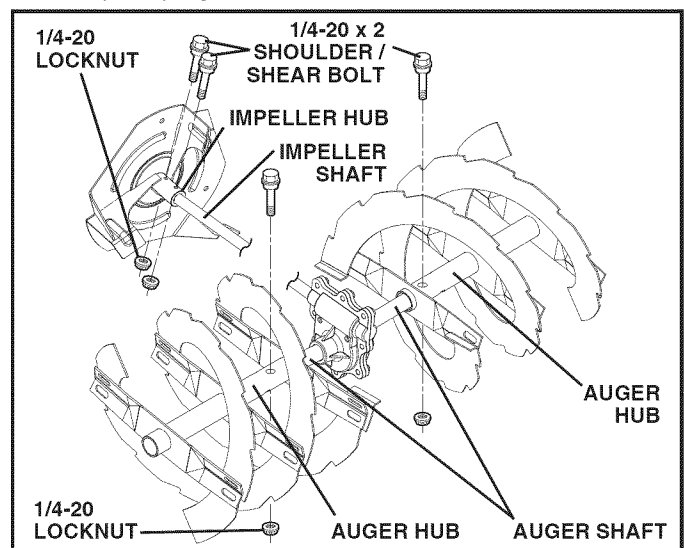


FIG. 17

### TO REMOVE BELT COVER (See Fig. 18)

1. Loosen the two (2) screws securing belt cover to frame.
  2. Remove belt cover.
- Replace belt cover by installing cover and tightening screws.

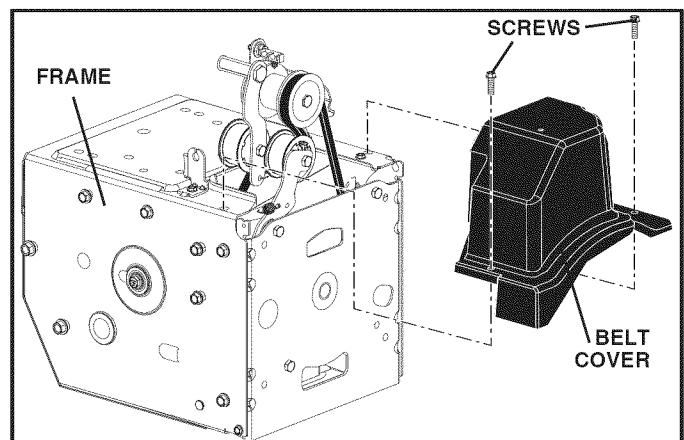


FIG. 18

# SERVICE AND ADJUSTMENTS

## TO REPLACE BELTS

The auger and traction drive belts are not adjustable. If the belts are damaged or begin to slip from wear, they should be replaced. It is recommended that the belt(s) be replaced by a service center/department.

**NOTE:** It is recommended that both the auger and traction drive belt be replaced at the same time.

The V-belts on your snow thrower are of special construction and should be replaced by original equipment manufacturer (OEM) belts available from your nearest service center/department. Using other than OEM belts can cause personal injury or damage to the snow thrower.



**WARNING: Belt replacement requires separation of the snow thrower. While separating the auger housing from the frame assembly, it is important that an assistant stand in the operating position and hold the snow thrower handles. Serious personal injury and/or damage to the unit could occur if the snow thrower should fall during the belt changing process.**

## BEFORE REPLACING BELTS

1. REMOVE GASOLINE FROM FUEL TANK - Drain gasoline from fuel tank into a suitable container, outdoors, away from fire or flame. Wipe up any spilled gasoline.
2. REMOVE DISCHARGE CHUTE - Remove lock nut securing chute rotator head to mounting bracket to allow chute rotator head to be raised and discharge chute to be removed from snow thrower. See Fig. 19.

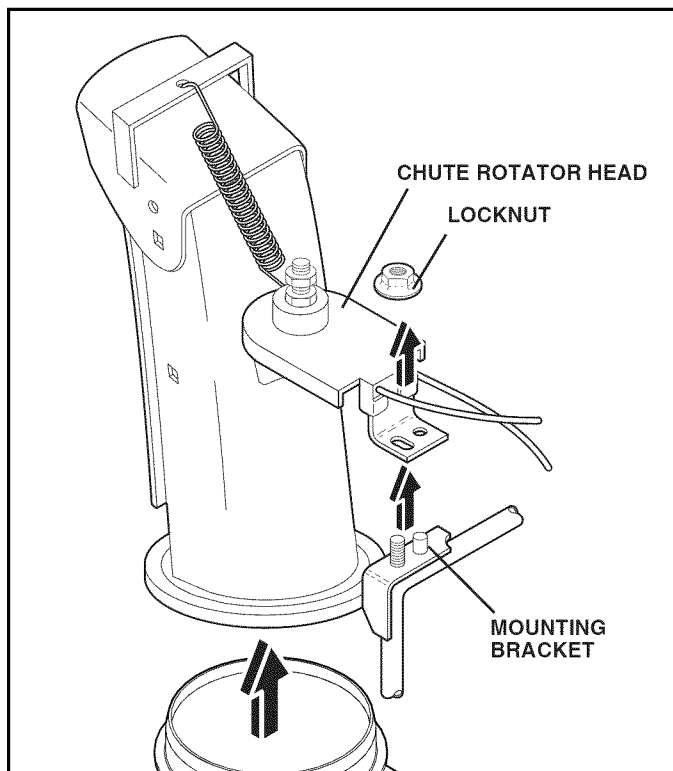


FIG. 19

3. REMOVE BELT COVER - See "TO REMOVE BELT COVER" in this section of this manual.

## AUGER BELT REPLACEMENT (See Fig. 20)

### TO REMOVE AUGER BELT

1. Remove upper 5/16" bolts and lower 1/4" bolts from both sides of the frame assembly. Do not discard bolts.
2. Loosen but DO NOT REMOVE lower 5/16" bolts on both sides of the frame assembly.
3. Remove the auger belt from the engine pulley.
4. Tip the back section down. The front section will tip forward at the same time, as the bottom bolt acts as a hinge between the front and back sections. Use a block under the hinge point to secure the snow thrower in the tipped position as shown.
5. Move auger belt tensioner arm and remove auger belt from around the arm.

### TO INSTALL AUGER BELT

1. Move belt tensioner arm and place auger belt around and inside groove of the auger pulley.

**NOTE:** Ensure the belt is not pinched between the frame and auger housing as you bring the unit back together.

2. Remove block from under the snow thrower. Lift the handles to tip the back section up. The front section will tip back and pivot to rejoin the back section.
3. Ensure belt is routed inside auger pulley groove properly.
4. Install the previously removed and loosened 5/16" bolts, and tighten securely. (8-12 Ft. Lbs. / 11-16 Nm).

Install the previously removed 1/4" bolts, and tighten securely. (4-6 Ft. Lbs. / 5-8 Nm).

5. Install auger belt onto engine pulley. Ensure belt is routed correctly around idler pulley and seated properly in engine pulley groove.
6. Operate all controls to ensure belts are installed properly and that all components are moving correctly.

Continue with "AFTER REPLACING BELTS" instructions.

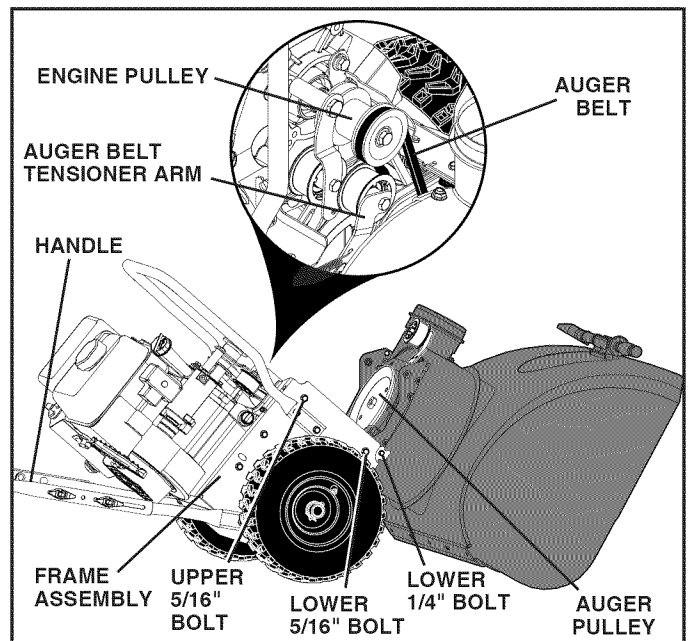


FIG. 20



# SERVICE AND ADJUSTMENTS

## DRIVE BELT REPLACEMENT (See Fig. 21)

### TO REMOVE DRIVE BELT

1. Remove auger belt. See "TO REMOVE AUGER BELT" in this section.
2. Remove tensioner spring attached to drive belt tensioner arm.
3. Remove return spring holding the swing plate in place.
4. Remove arm bolt and drive belt tensioner arm.
5. Remove pulley bolt and washer, engine pulley, and drive belt from engine.
6. Remove the top bolt holding the swing plate to frame assembly.
7. Pivot and hold the swing plate away from snow thrower and remove drive belt from drive pulley.

### TO INSTALL DRIVE BELT

1. Pivot and hold swing plate away from snow thrower. Place drive belt onto drive pulley. Ensure drive belt is routed in drive pulley groove properly before lowering swing plate.
2. Install previously removed top bolt. Tighten securely.
3. Place drive belt into engine pulley groove before installing onto engine shaft.
4. Install previously removed washer and bolt and secure engine pulley onto engine. Tighten securely (30-35 Ft. Lbs. / 41-47 Nm).
5. Install drive belt tensioner arm and arm bolt onto engine. Tighten securely.
6. Install return spring onto swing plate.
7. Install tensioner spring onto tensioner arm.
8. Operate all controls to ensure belts are installed properly and that all components are moving correctly.
9. Install auger belt. See "TO INSTALL AUGER BELT" in this section.

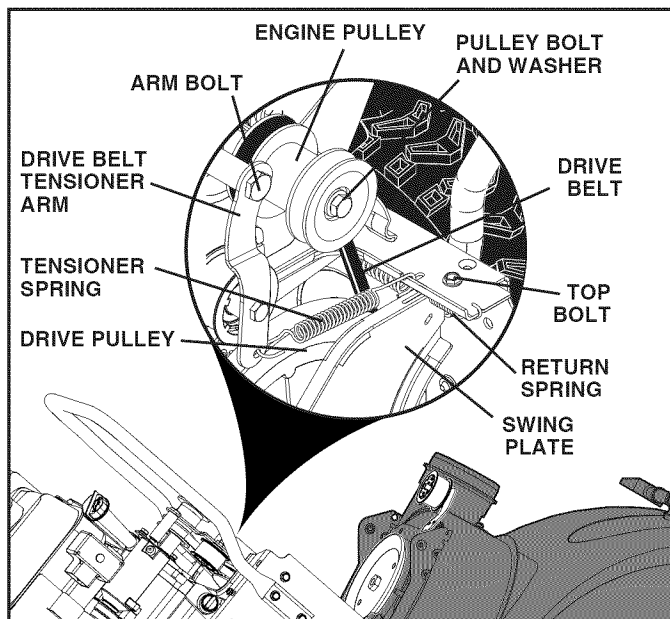


FIG. 21

## AFTER REPLACING BELT(S)

1. INSTALL BELT COVER and two (2) screws. Tighten securely.
2. INSTALL DISCHARGE CHUTE – See "INSTALL DISCHARGE CHUTE / CHUTE ROTATER HEAD" in the Assembly section of this manual.

## TO REMOVE WHEELS (See Fig. 22)

- Remove the wheel pin and retainer pin and remove wheel from axle.

**NOTE:** To seal punctures or prevent flat tires due to slow leaks, tire sealant may be purchased from your local parts dealer. Tire sealant also prevents tire dry rot and corrosion.

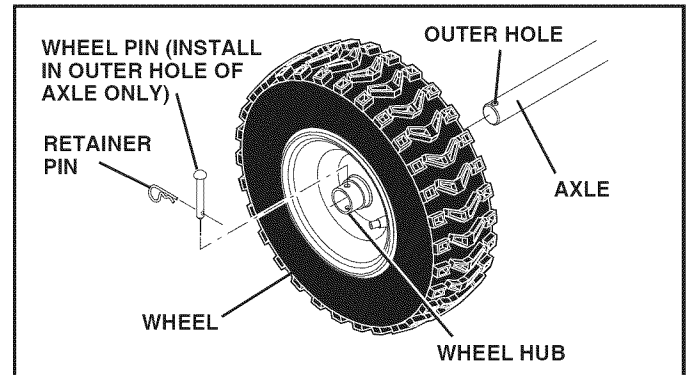


FIG. 22

## ENGINE

### SEE ENGINE MANUAL

### CARBURETOR

Your carburetor is not adjustable. Engine performance should not be affected at altitudes up to 2,134 meters. If your engine does not operate properly due to suspected carburetor problems, take your snow thrower to a service center/department.

### ENGINE SPEED

Never tamper with the engine governor, which is factory set for proper engine speed. Overspeeding the engine above the factory high speed setting can be dangerous and will void the warranty. If you think the engine-governed high speed needs adjusting, contact a service center/department, which has the proper equipment and experience to make any necessary adjustments.

# SERVICE AND ADJUSTMENTS

## TO ADJUST DRIVE ENGAGEMENT CABLE TENSION (See Fig. 23)

After many hours of use, if first gear seems to slip or seems too slow, adjustments may need to be made to the Drive Engagement cable tension to shorten the length.

To adjust the Drive Engagement cable:

1. Adjust cable tension by loosening the jam nut, next to the turn buckle.
2. Grasp the short section and hold, while turning the long section to lengthen the adjuster.
3. Turn the long section two turns and tighten jam nut.
4. Test the first gear drive speed.

If first gear appears to be too slow or slipping, repeat this procedure.

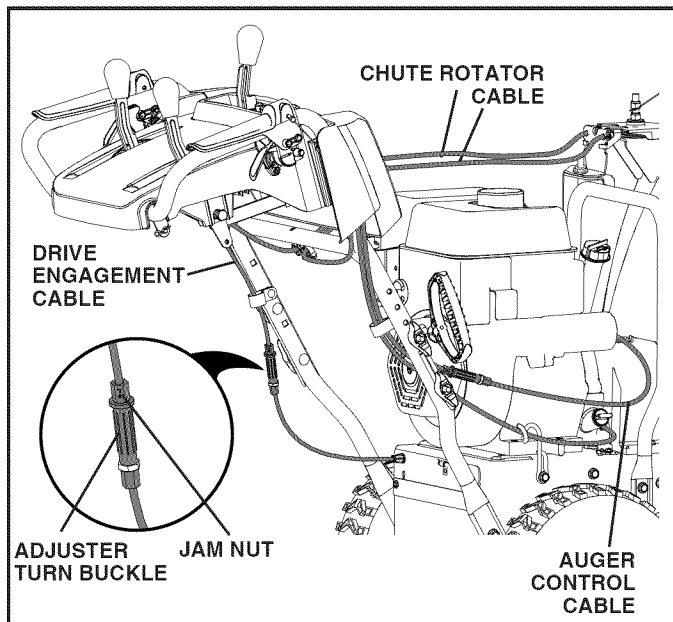


FIG. 23

## AUGER PERFORMANCE AND CABLE ADJUSTMENT (See Fig. 23)

**NOTE:** If you do not feel comfortable making this adjustment yourself, please contact an authorized service center/department.

Adjustments may be needed if the impeller and auger rotation is sluggish when engaging the auger control lever, or if the auger belt has been replaced.

To adjust the auger control cable:

1. Adjust cable tension by loosening the jam nut, next to the turn buckle.
2. Grasp the short section and hold, while turning the long section to lengthen the adjuster. Rotate the center barrel one full revolution.
3. Retest auger engagement. Repeat adjustment as needed until engagement is no longer sluggish.
4. Have an assistant stand 10 feet in front of the machine, and on the opposite side that the chute is pointing. The assistant should observe the rotation of the auger and measure the time it takes for the auger to stop rotating after you release the lever.

If the auger stops rotating after 5 seconds, readjust the cable by rotating the center barrel one full revolution, so that the adjuster is contracting. Retest the auger engagement and measure the stop time again.

If the auger stops rotating in less than 5 seconds, proceed to the next step.

5. Tighten the jam nut on the auger cable.

**NOTE:** If the adjustment does not resolve the problem, replace the auger belt. See "To Replace Belts" in the Service & Adjustments section of this manual.

# STORAGE

Immediately prepare your snow thrower for storage at the end of the season or if the unit will not be used for 30 days or more.



**WARNING:** Never store the snow thrower with gasoline in the tank inside a building where fumes may reach an open flame, spark or pilot light as on a furnace, water heater, clothes dryer or gas appliance. Allow the engine to cool before storing in any enclosure.

## SNOW THROWER

When snow thrower is to be stored for a period of time, clean it thoroughly, remove all dirt, grease, leaves, etc. Store in a clean, dry area.

1. Clean entire snow thrower (See “CLEANING” in the Maintenance section of this manual).
2. Inspect and replace belts, if necessary (See “TO REPLACE BELTS” in the Service and Adjustments section of this manual).
3. Lubricate as shown in the Maintenance section of this manual.
4. Be sure that all nuts, bolts, screws, and pins are securely fastened. Inspect moving parts for damage, breakage and wear. Replace if necessary.
5. Touch up all rusted or chipped paint surfaces; sand lightly before painting.

## ENGINE

See engine manual.

## FUEL SYSTEM

**IMPORTANT:** It is important to prevent gum deposits from forming in essential fuel system parts such as carburetor, fuel hose, or tank during storage. Also, alcohol blended fuels (called gasohol or using ethanol or methanol) can attract moisture which leads to separation and formation of acids during storage. Acidic gas can damage the fuel system of an engine while in storage.

- Empty the fuel tank by starting the engine and letting it run until the fuel lines and carburetor are empty.
- Never use engine or carburetor cleaner products in the fuel tank or permanent damage may occur.
- Use fresh fuel next season.

**NOTE:** Fuel stabilizer is an acceptable alternative in minimizing the formation of fuel gum deposits during storage. Add stabilizer to gasoline in fuel tank or storage container. Always follow the mix ratio found on stabilizer container. Run engine at least 10 minutes after adding stabilizer to allow the stabilizer to reach the carburetor. Do not drain the gas tank and carburetor if using fuel stabilizer.

## ENGINE OIL

Drain oil (with engine warm) and replace with clean engine oil. (See “ENGINE” in the Maintenance section of this manual).

## CYLINDER

1. Remove spark plug.
2. Pour one ounce (29 ml) of oil through spark plug hole into cylinder.
3. Pull recoil starter handle slowly a few times to distribute oil.
4. Replace with new spark plug.

## OTHER

- Remove safety ignition key; store it in a safe place.
- Do not store gasoline from one season to another.
- Replace your gasoline can if your can starts to rust. Rust and/or dirt in your gasoline will cause problems.
- If possible, store your snow thrower indoors and cover it to protect it from dust and dirt.
- Cover your snow thrower with a suitable protective cover that does not retain moisture. Do not use plastic. Plastic cannot breathe, which allows condensation to form and will cause your snow thrower to rust.

**IMPORTANT:** Never cover snow thrower while engine/exhaust area is still warm.

# TROUBLESHOOTING

See appropriate section in manual unless directed to a service center/department.

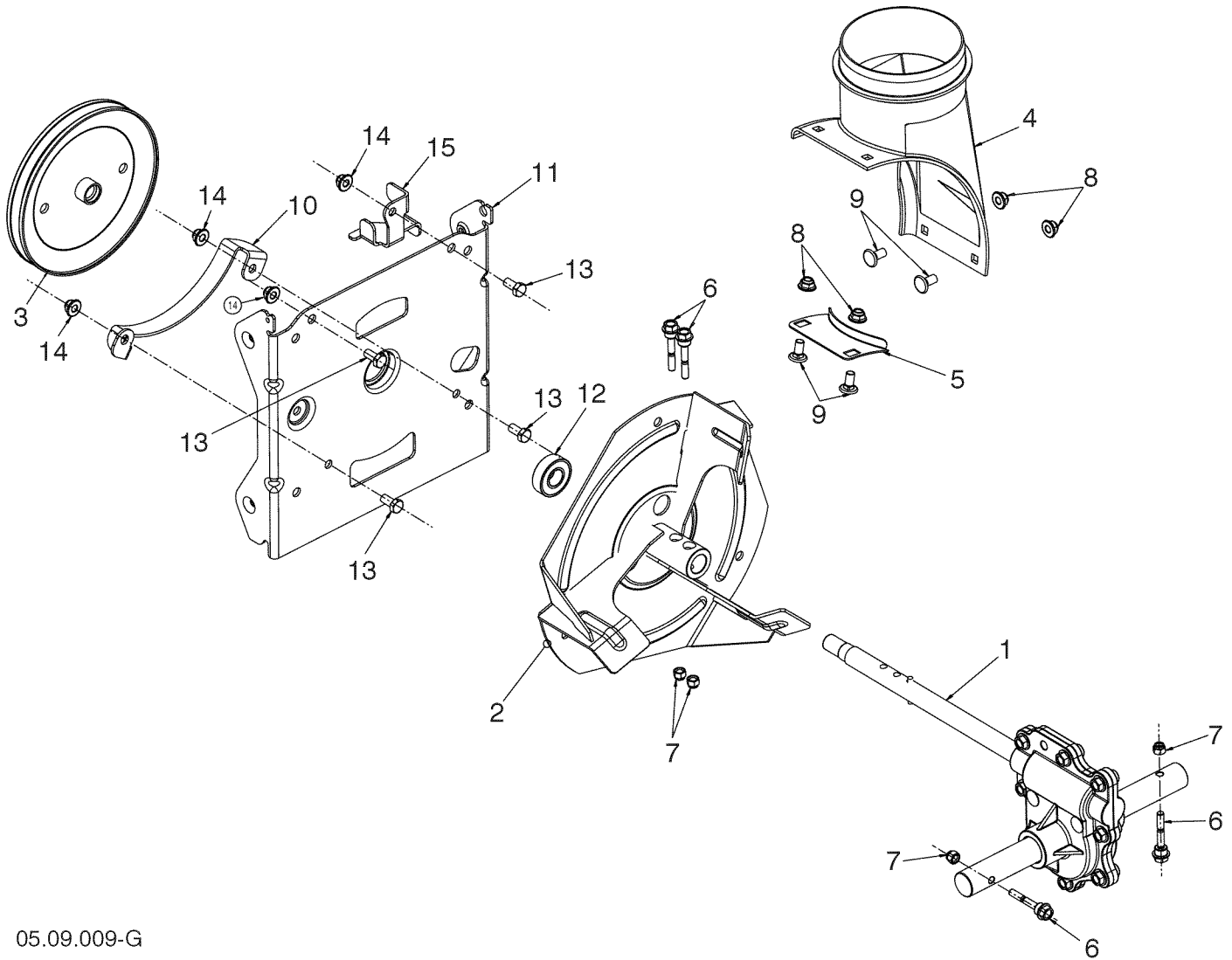
PROBLEM	CAUSE	CORRECTION
<b>Does not start</b>	<ol style="list-style-type: none"> <li>1. Fuel shut-off valve (if so equipped) in OFF position.</li> <li>2. Safety ignition key is not inserted.</li> <li>3. Out of fuel.</li> <li>4. Throttle in STOP position (or ON/OFF switch is OFF).</li> <li>5. Choke in OFF position.</li> <li>6. Primer not depressed.</li> <li>7. Engine is flooded.</li> <li>8. Spark plug wire is disconnected.</li> <li>9. Bad spark plug.</li> <li>10. Stale fuel.</li> <li>11. Water in fuel.</li> </ol>	<ol style="list-style-type: none"> <li>1. Turn fuel shut-off valve to OPEN position.</li> <li>2. Insert safety ignition key.</li> <li>3. Fill fuel tank with fresh, clean gasoline.</li> <li>4. Move throttle to FAST position (or ON/OFF switch to ON position).</li> <li>5. Move to FULL position.</li> <li>6. Prime as instructed in the Operation section of this manual.</li> <li>7. Wait a few minutes before restarting, DO NOT prime.</li> <li>8. Connect wire to spark plug.</li> <li>9. Replace spark plug.</li> <li>10. Empty fuel tank &amp; carburetor, refill with fresh, clean gasoline.</li> <li>11. Empty fuel tank &amp; carburetor, refill with fresh, clean gasoline.</li> </ol>
<b>Loss of power</b>	<ol style="list-style-type: none"> <li>1. Spark plug wire loose.</li> <li>2. Throwing too much snow.</li> <li>3. Fuel tank cap is covered with ice or snow.</li> <li>4. Dirty or clogged muffler.</li> </ol>	<ol style="list-style-type: none"> <li>1. Reconnect spark plug wire.</li> <li>2. Reduce speed and width of swath.</li> <li>3. Remove ice and snow on and around fuel tank cap.</li> <li>4. Clean or replace muffler.</li> </ol>
<b>Engine idles or runs roughly</b>	<ol style="list-style-type: none"> <li>1. Choke is in FULL position.</li> <li>2. Blockage in fuel line.</li> <li>3. Stale fuel.</li> <li>4. Water in fuel.</li> <li>5. Carburetor is in need of adjustment or overhaul.</li> </ol>	<ol style="list-style-type: none"> <li>1. Move choke to OFF position.</li> <li>2. Clean fuel line.</li> <li>3. Empty fuel tank &amp; carburetor, refill with fresh, clean gasoline.</li> <li>4. Empty fuel tank &amp; carburetor, refill with fresh, clean gasoline.</li> <li>5. Contact an authorized service center/department.</li> </ol>
<b>Excessive vibration</b>	<ol style="list-style-type: none"> <li>1. Loose parts or damaged augers or impeller.</li> </ol>	<ol style="list-style-type: none"> <li>1. Tighten all fasteners. Replace damaged parts. If vibration remains, contact an authorized service center/department.</li> </ol>
<b>Recoil starter is hard to pull</b>	<ol style="list-style-type: none"> <li>1. Frozen recoil starter.</li> </ol>	<ol style="list-style-type: none"> <li>1. See "IF RECOIL STARTER HAS FROZEN" in the Operation section of this manual.</li> </ol>
<b>Loss of traction drive / slowing of drive speed</b>	<ol style="list-style-type: none"> <li>1. Drive belt is worn.</li> <li>2. Drive belt is off of pulley.</li> <li>3. Friction drive wheel is worn.</li> </ol>	<ol style="list-style-type: none"> <li>1. Check / replace drive belt.</li> <li>2. Check / reinstall drive belt.</li> <li>3. Contact an authorized service center/department.</li> </ol>
<b>Loss of snow discharge or slowing of snow discharge</b>	<ol style="list-style-type: none"> <li>1. Auger belt is off of pulley.</li> <li>2. Auger belt is worn.</li> <li>3. Clogged discharge chute.</li> <li>4. Augers / impeller jammed.</li> </ol>	<ol style="list-style-type: none"> <li>1. Check / reinstall auger belt.</li> <li>2. Check / replace auger belt.</li> <li>3. Clean snow chute.</li> <li>4. Remove debris or foreign object from augers / impeller.</li> </ol>

---

# SERVICE NOTES

---

AUGER HOUSING / IMPELLER ASSEMBLY



05.09.009-G

**NOTE:** All component dimensions given in U.S. inches. 1 inch = 25.4 mm  
**IMPORTANT:** Use only Original Equipment Manufacturer (O.E.M.) replacement parts.  
Failure to do so could be hazardous, damage your snow thrower and void your warranty.

**REPAIR PARTS                                  SNOW THROWER - MODEL PR241 (96192009200)**  
**AUGER HOUSING / IMPELLER ASSEMBLY**

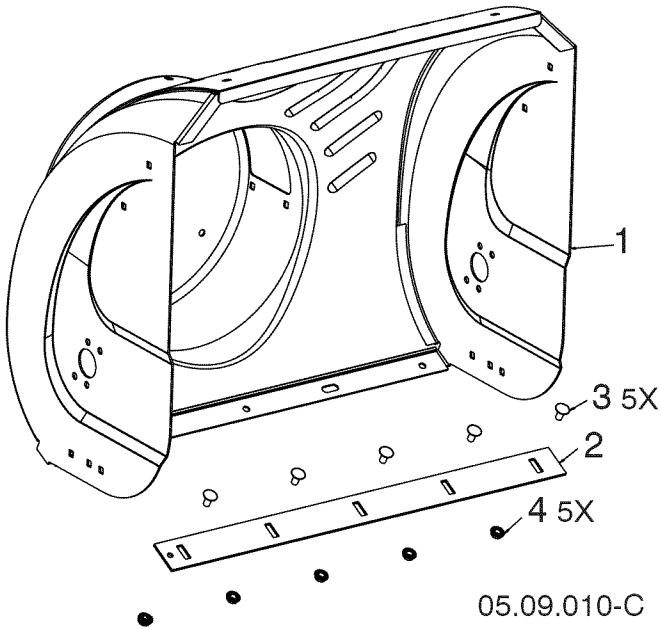
<b>KEY NO.</b>	<b>PART NO.</b>	<b>DESCRIPTION</b>
1	586 71 48-01	GEARBOX AUGER
2	586 60 72-02	IMPELLER STEEL
3	587 40 24-01	PULLEY IMPELLER – SCREW ON
4	585 05 69-01	CHUTE DISCHARGE BASE
5	532 18 40-95	BRACKET CORNER DISCHARGE BASE
6	588 07 75-01	BOLT SHEAR 1/4-20
7	873 80 04-00	NUT NYLOCK 1/4-20
8	585 69 13-01	NUT FLANGE NYLOCK 5/16-18 BLK
9	585 69 12-01	BOLT CARRIAGE WAFER HEAD 5/16-18 X 5/8 BLK
10	581 63 20-02	BRACKET BELT KEEPER LOWER
11	581 59 25-02	BRACKET INTERFACE
12	532 19 87-91	BEARING BALL
13	532 16 31-83	SCREW HEX HEAD 5/16-18 X 5/8
14	532 42 79-42	NUT FLANGE NYLOCK 5/16-18
15	587 58 72-02	LOWER AUGER BELT GUIDE

**NOTE:** All component dimensions given in U.S. inches.     1 inch = 25.4 mm  
**IMPORTANT:** Use only Original Equipment Manufacturer (O.E.M.) replacement parts.  
 Failure to do so could be hazardous, damage your snow thrower and void your warranty.

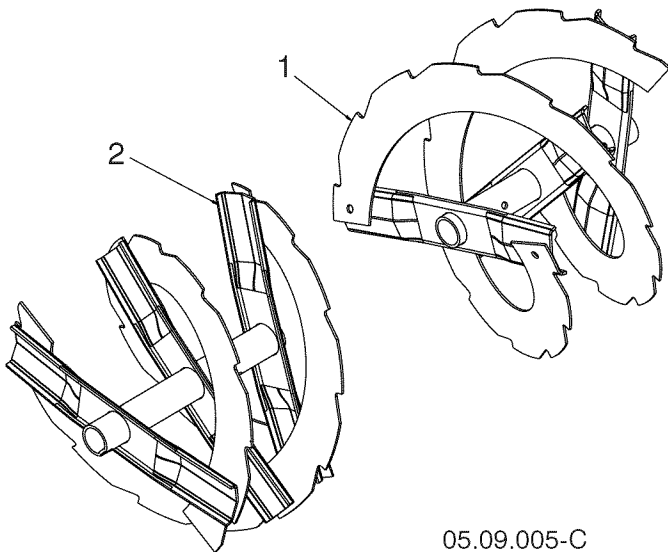
**REPAIR PARTS**

**SNOW THROWER - MODEL PR241 (96192009200)**

**AUGER HOUSING / IMPELLER ASSEMBLY**



KEY NO.	PART NO.	DESCRIPTION
1	581 70 83-99	AUGER HOUSING
2	532 40 78-25	SCRAPER BAR
3	872 27 05-05	CARRIAGE BOLT 5/16-18 X .625 GR5
4	532 15 53-77	NUT 5/16-18



KEY NO.	PART NO.	DESCRIPTION
1	532 42 10-72	AUGER WELD RIB LH 24
2	532 42 10-73	AUGER WELD RIB RH 24

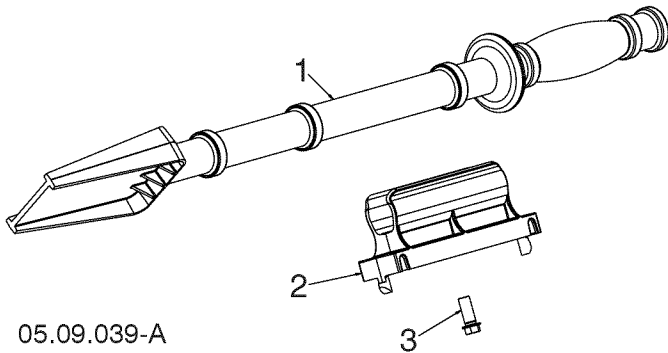
**NOTE:** All component dimensions given in U.S. inches. 1 inch = 25.4 mm  
**IMPORTANT:** Use only Original Equipment Manufacturer (O.E.M.) replacement parts.  
 Failure to do so could be hazardous, damage your snow thrower and void your warranty.



**REPAIR PARTS**

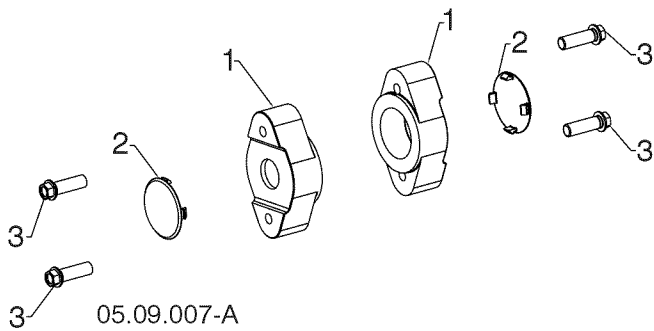
**SNOW THROWER - MODEL PR241 (96192009200)**

**AUGER HOUSING / IMPELLER ASSEMBLY**



KEY NO.	PART NO.	DESCRIPTION
1	532 19 21-99	TOOL CLEANOUT
2	532 40 54-00	CLIP CLEANOUT TOOL
3	532 19 41-89	SCREW HEX WASHER 13-16 X 5/8

05.09.039-A



KEY NO.	PART NO.	DESCRIPTION
1	532 42 04-78	AUGER BEARING
2	532 41 19-39	BEARING PLUG
3	584 29 94-01	SCREW HI-LO WASHD 5/16-14 X 1.00

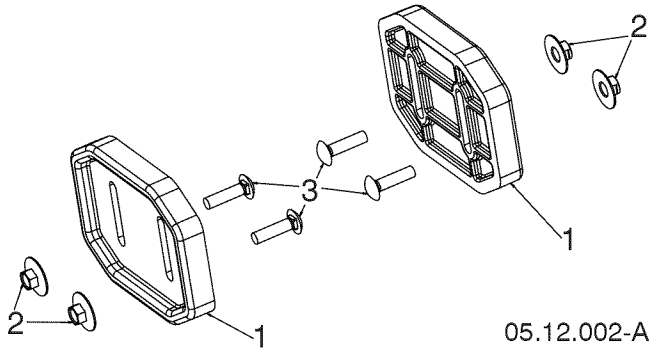
05.09.007-A

**NOTE:** All component dimensions given in U.S. inches. 1 inch = 25.4 mm  
**IMPORTANT:** Use only Original Equipment Manufacturer (O.E.M.) replacement parts.  
 Failure to do so could be hazardous, damage your snow thrower and void your warranty.

REPAIR PARTS

SNOW THROWER - MODEL PR241 (96192009200)

AUGER HOUSING / IMPELLER ASSEMBLY



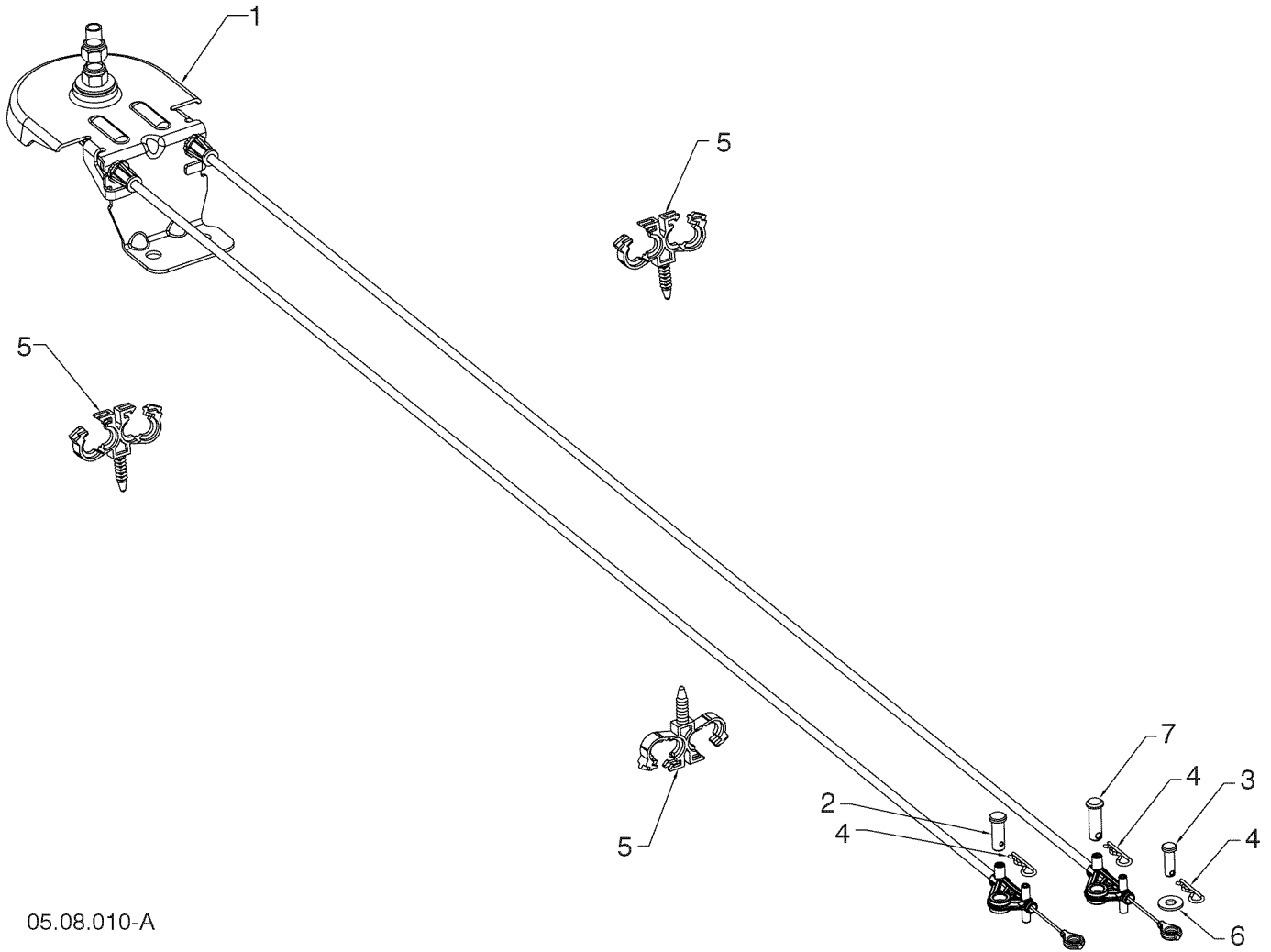
KEY NO.	PART NO.	DESCRIPTION
1	532 43 59-51	PLATE SKID PLASTIC HDPE
2	585 80 28-01	NUT LARGE FLANGE 5/16-18 – BLK
3	585 80 29-01	BOLT CARRIAGE 5/16-18 X 1.25 – BLK

**NOTE:** All component dimensions given in U.S. inches. 1 inch = 25.4 mm  
**IMPORTANT:** Use only Original Equipment Manufacturer (O.E.M.) replacement parts.  
Failure to do so could be hazardous, damage your snow thrower and void your warranty.

**REPAIR PARTS**

**SNOW THROWER - MODEL PR241 (96192009200)**

**CONTROL PANEL / DISCHARGE CHUTE**



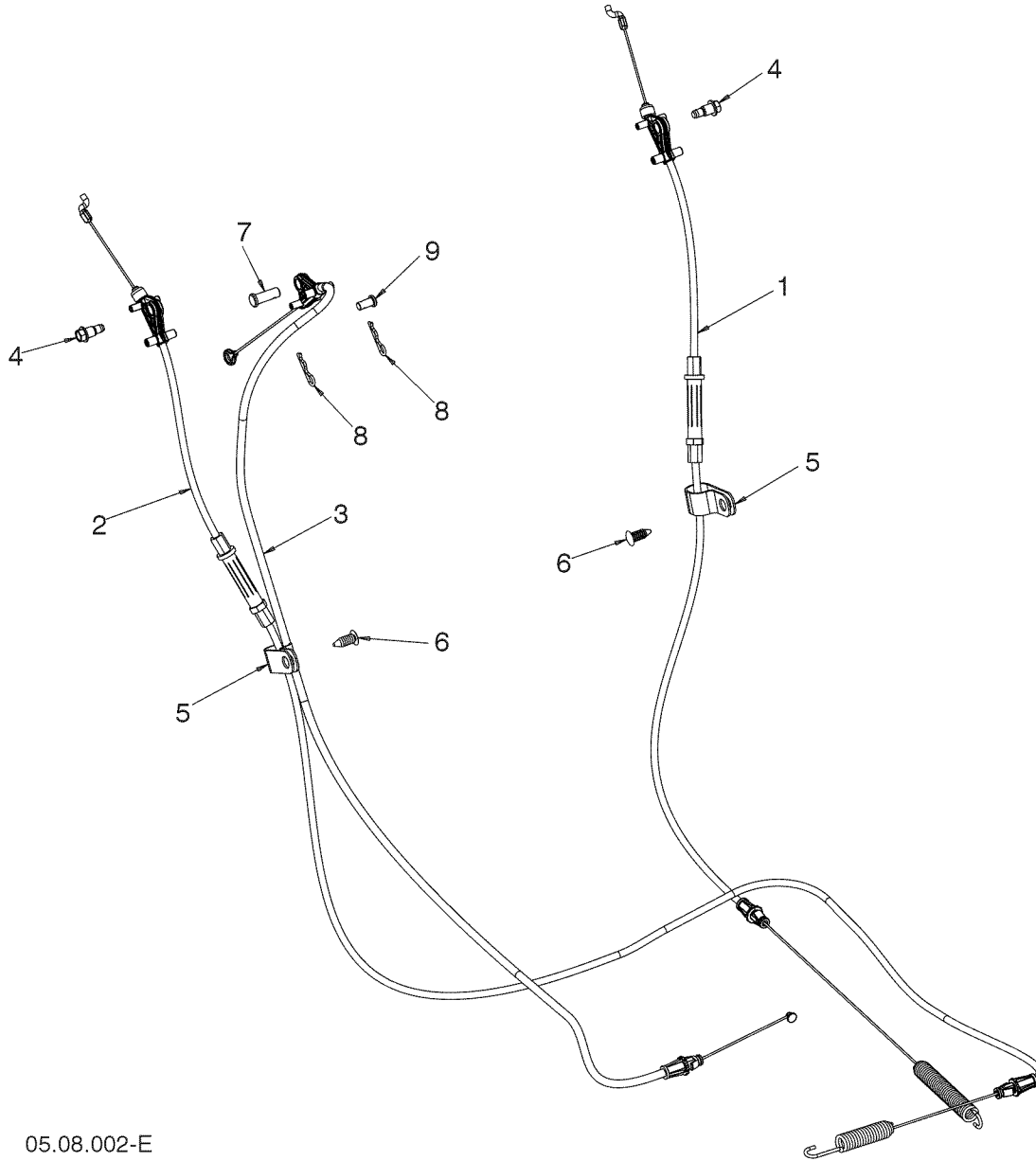
05.08.010-A

KEY NO.	PART NO.	DESCRIPTION
1	587 80 34-01	CABLE CHUTE ROTATOR ASM
2	581 32 94-01	PIN CLEVIS 5/6 X 7/8
3	877 10 08-12	PIN CLEVIS 1/4 X 3/4
4	532 42 33-03	HAIRPIN SOFT ZINC
5	584 65 22-01	CLIP CONDUIT DOUBLE
6	586 68 21-01	WASHER
7	587 13 08-01	PIN CLEVIS 5/16 X 1

**NOTE:** All component dimensions given in U.S. inches. 1 inch = 25.4 mm  
**IMPORTANT:** Use only Original Equipment Manufacturer (O.E.M.) replacement parts.  
 Failure to do so could be hazardous, damage your snow thrower and void your warranty.

**REPAIR PARTS  
CONTROL PANEL / DISCHARGE CHUTE**

**SNOW THROWER - MODEL PR241 (96192009200)**



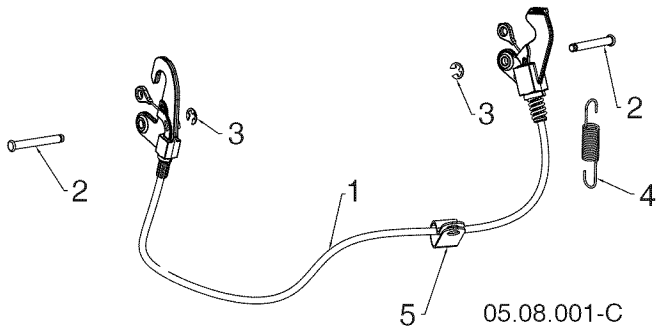
05.08.002-E

KEY NO.	PART NO.	DESCRIPTION
1	587 64 18-01	CABLE CONTROL DRIVE
2	587 42 87-01	CABLE CONTROL AUGER
3	588 12 23-01	CABLE CONTROL SPEED
4	581 72 61-01	BOLT SHOULDER 1/4
5	532 19 79-91	CLIP CABLE
6	532 42 81-24	FASTENER PUSH .250
7	581 32 94-01	PIN CLEVIS 5/16
8	532 42 33-03	HAIRPIN
9	585 80 83-01	PIN CLEVIS 1/4

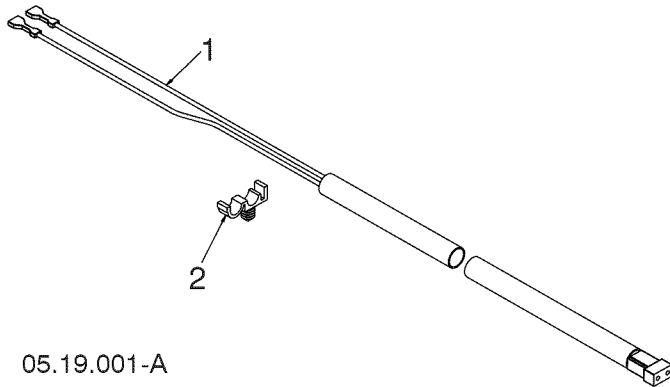
**NOTE:** All component dimensions given in U.S. inches. 1 inch = 25.4 mm  
**IMPORTANT:** Use only Original Equipment Manufacturer (O.E.M.) replacement parts. Failure to do so could be hazardous, damage your snow thrower and void your warranty.

**REPAIR PARTS  
CONTROL PANEL / DISCHARGE CHUTE**

**SNOW THROWER - MODEL PR241 (96192009200)**



KEY NO.	PART NO.	DESCRIPTION
1	587 33 25-02	CABLE INTERLOCK
2	532 43 17-62	PIN GROOVED
3	812 00 00-14	E-RING
4	581 15 12-01	SPRING RETURN
5	532 19 79-91	CLIP CABLE BLACK

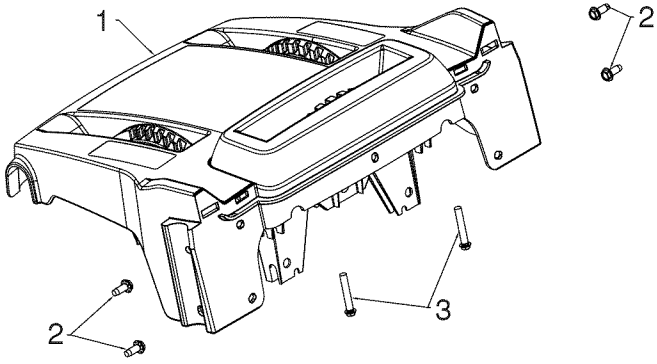


KEY NO.	PART NO.	DESCRIPTION
1	588 06 42-01	HARNES WIRE LIGHTS
2	532 14 50-06	WIRE RETAINER

**NOTE:** All component dimensions given in U.S. inches. 1 inch = 25.4 mm  
**IMPORTANT:** Use only Original Equipment Manufacturer (O.E.M.) replacement parts.  
 Failure to do so could be hazardous, damage your snow thrower and void your warranty.

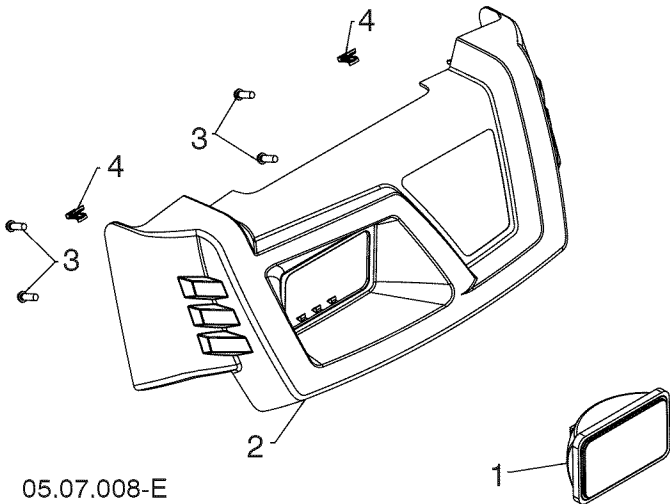
**REPAIR PARTS  
CONTROL PANEL / DISCHARGE CHUTE**

**SNOW THROWER - MODEL PR241 (96192009200)**



05.07.021-A

KEY NO.	PART NO.	DESCRIPTION
1	581 13 12-06	CONSOLE BASE MULTI CONTROL
2	817 06 04-10	SCREW TA SEMI GIMLE 1/4-20 X .62
3	581 32 95-01	SCREW HEX WASHER 13-16 X 1.50



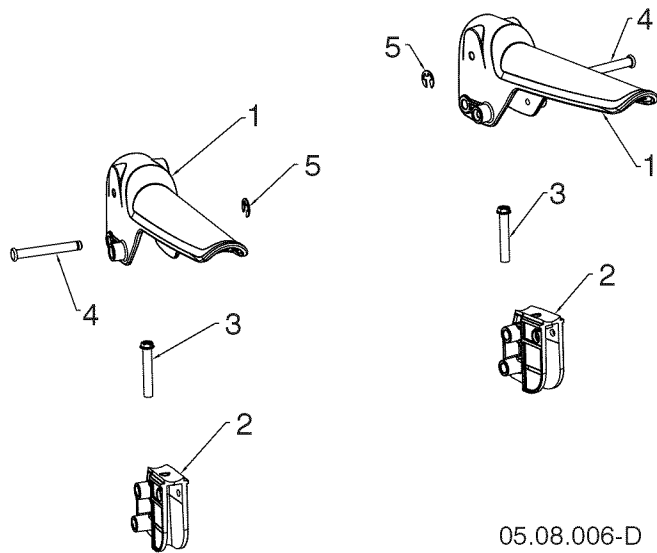
05.07.008-E

KEY NO.	PART NO.	DESCRIPTION
1	586 18 10-01	FLOOD HEADLIGHT
2	581 12 81-03	CONSOLE COVER POULAN PRO
3	532 19 41-89	SCREW HI-LO 13-16 X 5/8
4	581 92 87-01	PANEL CLIP
--	532 18 37-84	BULB (NOT SHOWN)

**NOTE:** All component dimensions given in U.S. inches. 1 inch = 25.4 mm  
**IMPORTANT:** Use only Original Equipment Manufacturer (O.E.M.) replacement parts. Failure to do so could be hazardous, damage your snow thrower and void your warranty.

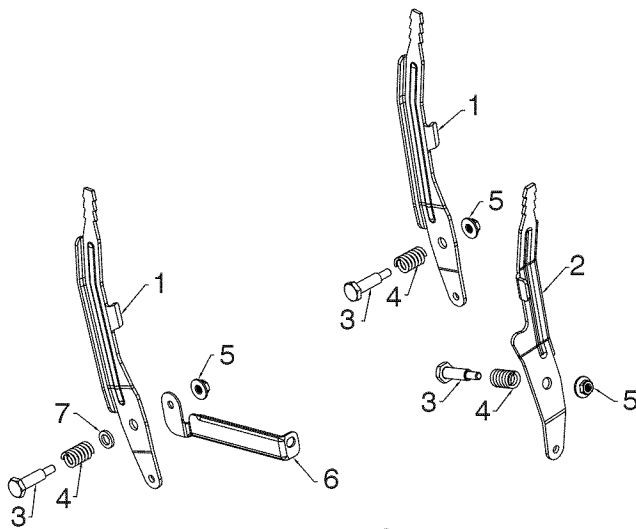
**REPAIR PARTS  
CONTROL PANEL / DISCHARGE CHUTE**

**SNOW THROWER - MODEL PR241 (96192009200)**



KEY NO.	PART NO.	DESCRIPTION
1	587 46 30-01	LEVER CONTROL DSST
2	581 20 81-01	LEVER PIVOT CONTROL ASM
3	585 69 07-01	SCREW HEX HD 10-24 X 1.50
4	532 43 17-62	PIN GROOVED
5	812 00 00-14	E-RING

05.08.006-D



KEY NO.	PART NO.	DESCRIPTION
1	581 12 39-02	LEVER CONTROL SPEED/DEFL
2	581 24 16-02	LEVER CONTROL CHUTE ROT
3	581 32 97-01	BOLT SHOULDER 1/4-20
4	581 32 96-01	SPRING COMPRESSION
5	586 66 89-01	NUT FL LOCK 1/4-20
6	584 46 84-02	BRACE SUPPORT SPEED
7	587 03 13-01	WASHER .625 X .375 X .094 NYLON 6/6

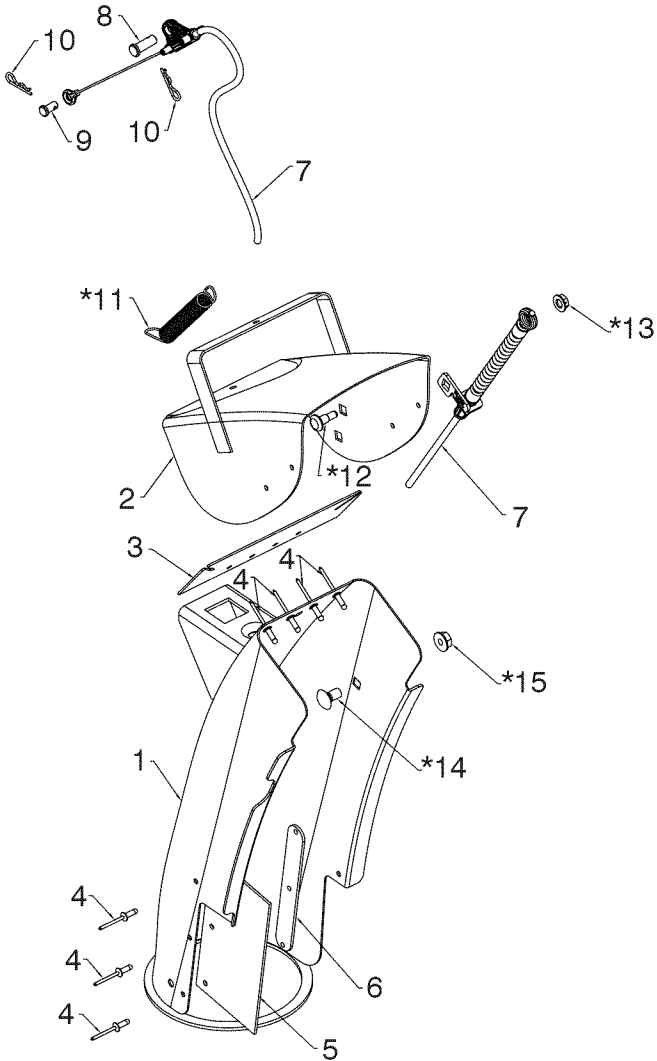
05.08.005-C

**NOTE:** All component dimensions given in U.S. inches. 1 inch = 25.4 mm  
**IMPORTANT:** Use only Original Equipment Manufacturer (O.E.M.) replacement parts.  
 Failure to do so could be hazardous, damage your snow thrower and void your warranty.

REPAIR PARTS

SNOW THROWER - MODEL PR241 (96192009200)

CONTROL PANEL / DISCHARGE CHUTE



05.11.006-D

KEY NO.	PART NO.	DESCRIPTION
1	588 07 78-03	CHUTE DEFLECTOR ASSEMBLY (INCLUDES 1-6)
2	-----	DEFLECTOR WELDMENT
3	-----	DEFLECTOR SEAL
4	-----	POP RIVET
5	-----	CHUTE SNOW SHIELD
6	-----	SHIELD STRAP RETAINER
7	586 96 15-01	CABLE ASM DEFLECTOR - BOWDEN
8	581 32 94-01	PIN CLEVIS 5/16 X .875
9	585 80 83-01	PIN CLEVIS 1/4 X .312
10	532 42 33-03	HAIRPIN RETAINER
*11	532 18 45-05	DEFLECTOR SPRING
*12	585 83 22-01	SHOULDER BOLT 1/4-20 X .375
*13	585 69 14-01	NUT 1/4-20
*14	585 83 20-01	CARRIAGE BOLT 3/8-16 X .625
*15	873 97 05-00	NUT 5/16-18

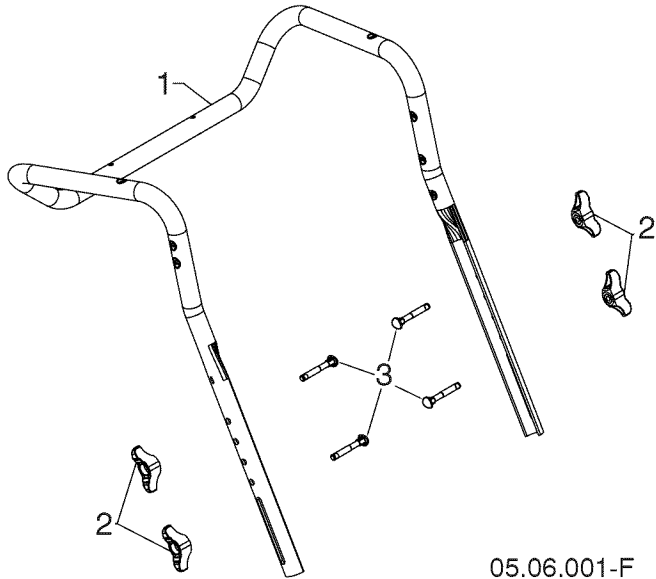
**NOTE:** ALL ITEMS MARKED WITH AN \* ARE PROVIDED IN THE BAG OF ITEMS SHIPPED LOOSE WITH THE PRODUCT

**NOTE:** All component dimensions given in U.S. inches. 1 inch = 25.4 mm  
**IMPORTANT:** Use only Original Equipment Manufacturer (O.E.M.) replacement parts. Failure to do so could be hazardous, damage your snow thrower and void your warranty.



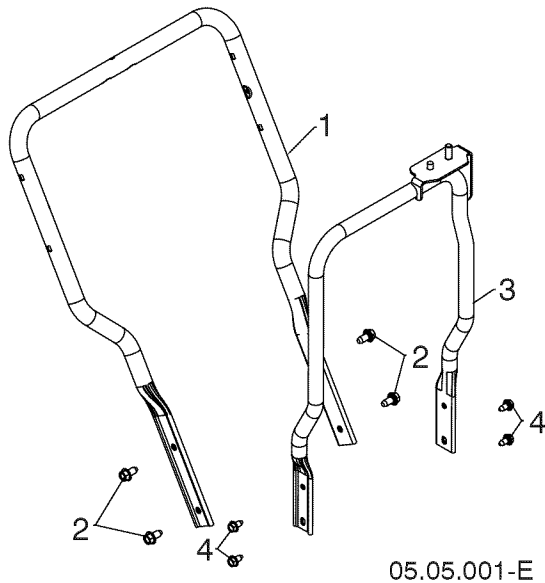
# REPAIR PARTS HANDLES

# SNOW THROWER - MODEL PR241 (96192009200)



KEY NO.	PART NO.	DESCRIPTION
1	581 12 36-02	UPPER HANDLE
2	532 19 19-38	HANDLE KNOB STD BLACK
3	588 05 99-01	SCREW 5/16-18 X 2.25 CONCAVE HEAD WITH PATCH

05.06.001-F



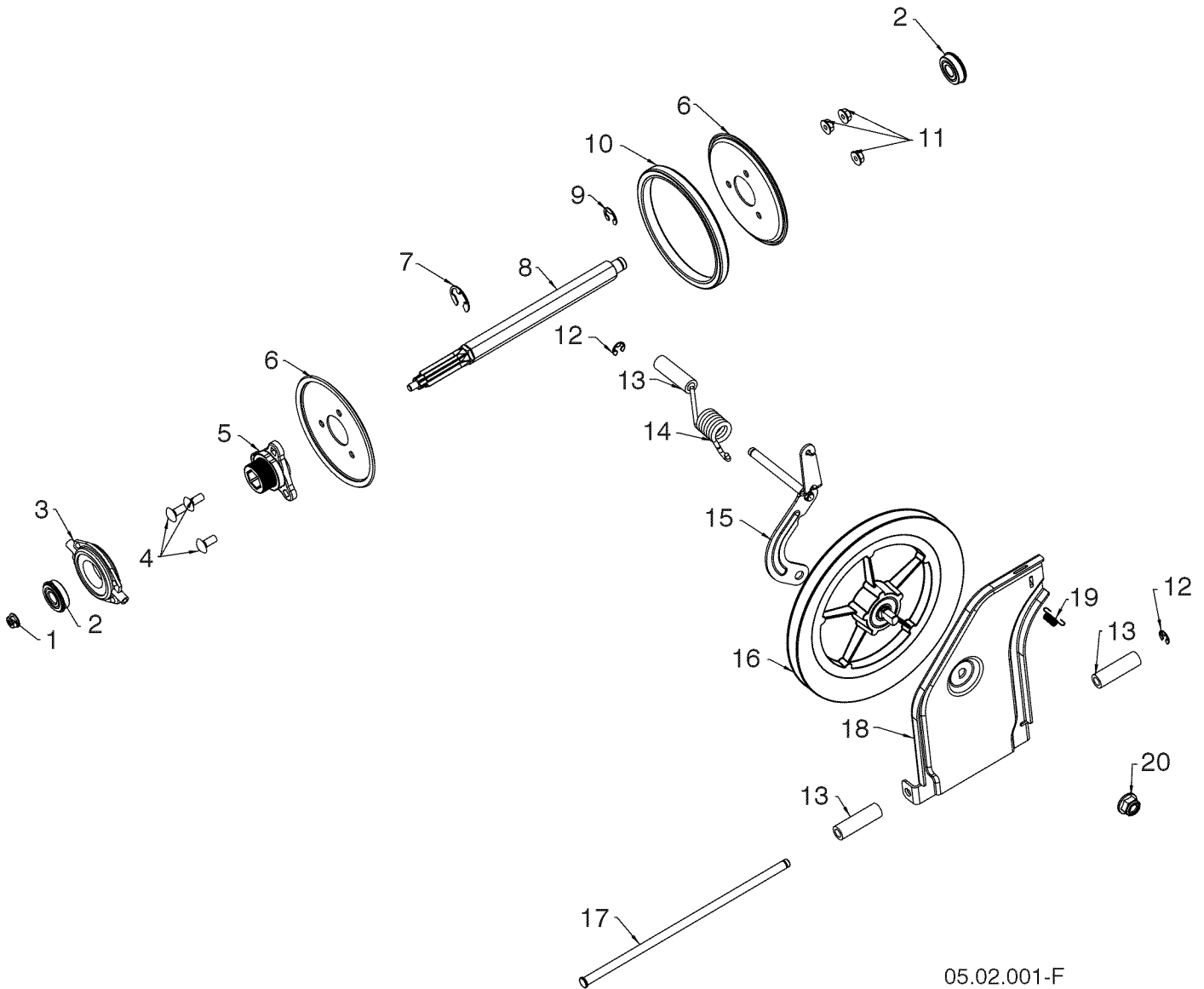
KEY NO.	PART NO.	DESCRIPTION
1	588 67 21-02	LOWER HANDLE
2	817 00 06-12	SCREW HEX WASH HD 3/8-16 X .75
3	581 62 20-02	CHUTE ROTATOR SUPPORT ASM
4	817 00 05-10	BOLT HEX 5/16-18

05.05.001-E

**NOTE:** All component dimensions given in U.S. inches. 1 inch = 25.4 mm  
**IMPORTANT:** Use only Original Equipment Manufacturer (O.E.M.) replacement parts.  
 Failure to do so could be hazardous, damage your snow thrower and void your warranty.

REPAIR PARTS  
DRIVE

SNOW THROWER - MODEL PR241 (96192009200)



05.02.001-F

**NOTE:** All component dimensions given in U.S. inches. 1 inch = 25.4 mm  
**IMPORTANT:** Use only Original Equipment Manufacturer (O.E.M.) replacement parts.  
Failure to do so could be hazardous, damage your snow thrower and void your warranty.

**REPAIR PARTS  
DRIVE**

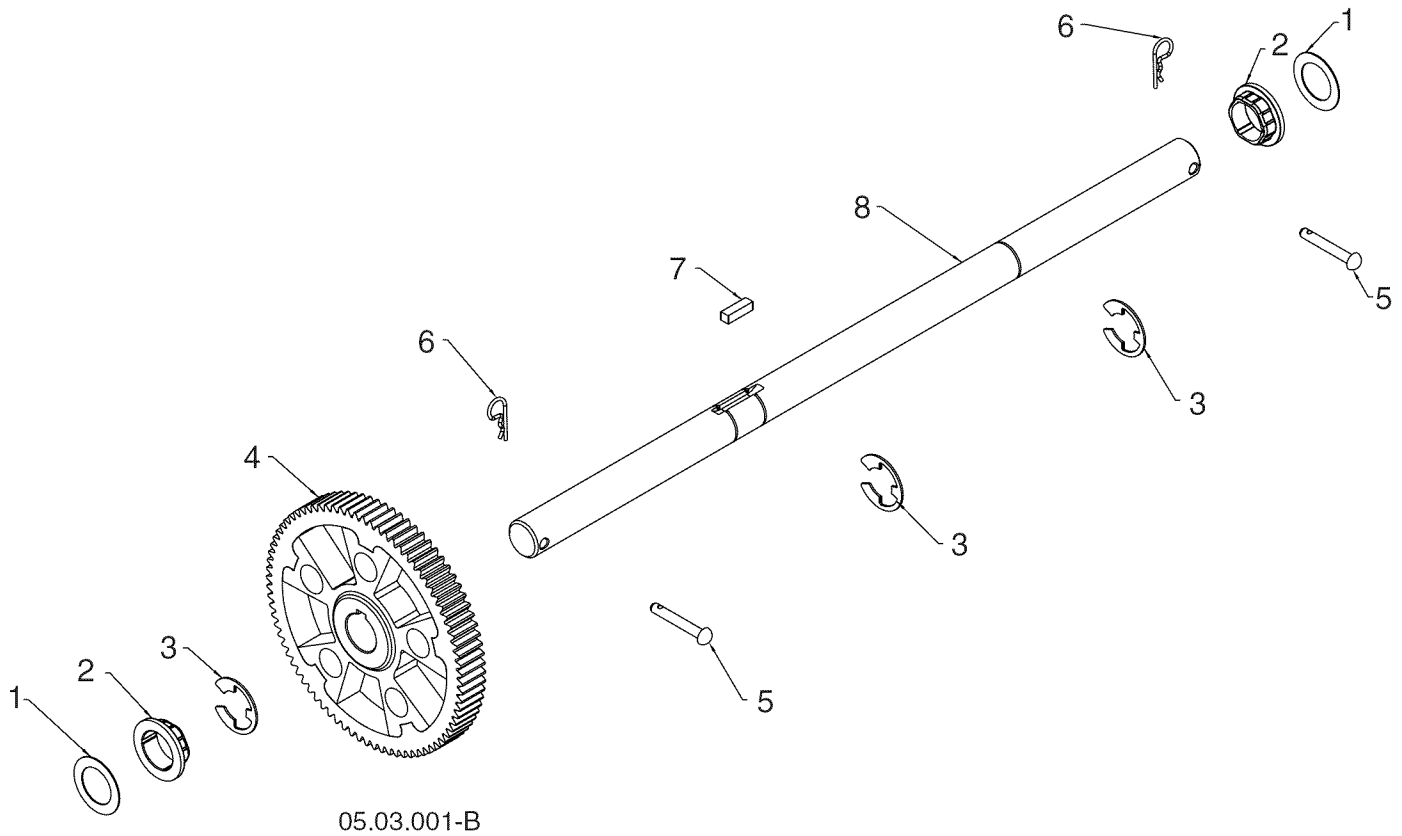
**SNOW THROWER - MODEL PR241 (96192009200)**

<b>KEY NO.</b>	<b>PART NO.</b>	<b>DESCRIPTION</b>
1	585 69 15-01	NUT HEX FLANGE LK 5/16-18
2	580 75 62-01	BEARING 9/16 I.D. 1622-2RSNR
3	532 17 53-44	TRUNNION BEARING ASM
4	872 11 05-06	BOLT CARRIAGE 5/16-18 X .75 GR 5
5	581 09 09-01	HUB RUBBER WHEEL
6	581 09 10-02	RUBBER WHEEL PLATE
7	812 00 00-22	E-RING
8	581 12 19-01	SHAFT 7 TOOTH REDUCTION
9	580 75 61-01	RETAINING RING 1622-2RSNR
10	581 09 11-01	RUBBER WHEEL RING
11	532 75 11-53	NUT HEX FLANGE LK 5/16-18
12	812 00 00-07	E-RING RETAINER 375
13	581 73 27-01	DRIVE SPACER
14	581 31 53-01	DRIVE TORSION SPRING
15	587 19 34-03	YOKE BRACKET ASSEMBLY
16	581 32 84-01	FRICTION PULLEY DISC COMBO
17	581 12 30-01	ROD TIP PLATE
18	587 70 34-02	FRICTION SWING PLATE PULL
19	532 19 38-85	LATCH SPRING
20	521 99 11-01	NUT HEX FLANGE LK 1/2-13

**NOTE:** All component dimensions given in U.S. inches. 1 inch = 25.4 mm  
**IMPORTANT:** Use only Original Equipment Manufacturer (O.E.M.) replacement parts.  
Failure to do so could be hazardous, damage your snow thrower and void your warranty.

**REPAIR PARTS  
DRIVE**

**SNOW THROWER - MODEL PR241 (96192009200)**



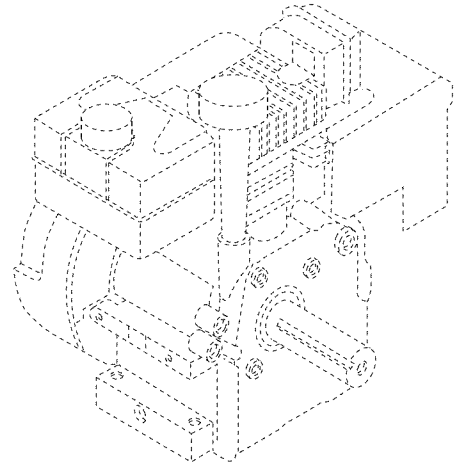
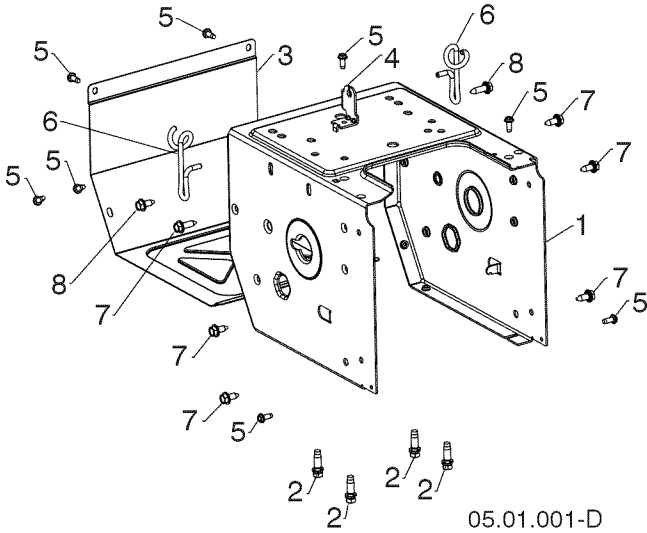
KEY NO.	PART NO.	DESCRIPTION
1	532 44 49-49	WASHER 1.00
2	587 97 89-01	HEX BUSHING 1 SHAFT
3	812 00 00-53	RETAINING RING
4	588 51 87-02	GEAR 80T DRIVEN
5	532 17 12-71	RIVET RD HD DRILLED 1/4 DIA
6	532 12 47-88	RETAINER SPRING
7	532 18 92-82	SQUARE KEY 1/4 X .875
8	581 12 20-01	AXLE SHAFT

**NOTE:** All component dimensions given in U.S. inches. 1 inch = 25.4 mm  
**IMPORTANT:** Use only Original Equipment Manufacturer (O.E.M.) replacement parts.  
 Failure to do so could be hazardous, damage your snow thrower and void your warranty.

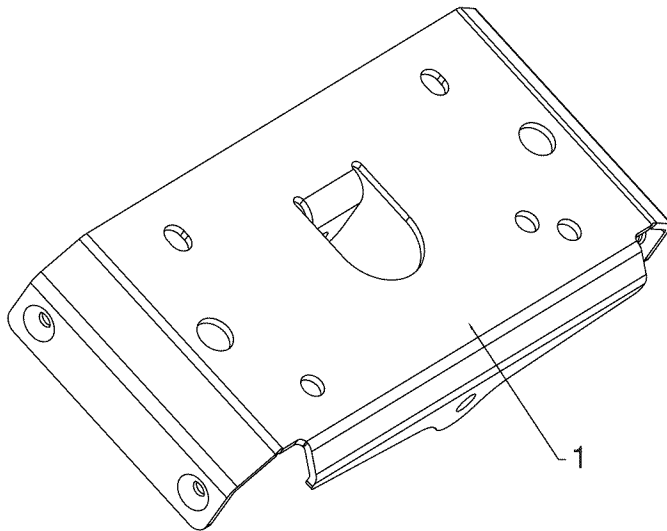
**REPAIR PARTS**

**SNOW THROWER - MODEL PR241 (96192009200)**

**CHASSIS / ENGINE / PULLEYS**



KEY NO.	PART NO.	DESCRIPTION
--	580 42 60-06	COMPLETE LCT ENGINE PW2HK18650178E
1	580 83 94-03	FRAME
2	532 15 04-06	ENGINE BOLT 3/8-16 X 1.280 DOGPOINT
3	580 83 95-03	FRAME COVER
4	581 12 24-02	SHIFTER BRACKET
5	817 06 04-10	SCREW HEX WASHER 1/4-20 X 5/8
6	585 20 60-01	WIREFORM SUPPORT CABLE
7	532 42 88-67	BOLT HEXHD WASHER 5/16-18 X .75
8	585 21 75-01	BOLT HEXHD WASHER 5/16-18 X 1.00



05.01.002-A

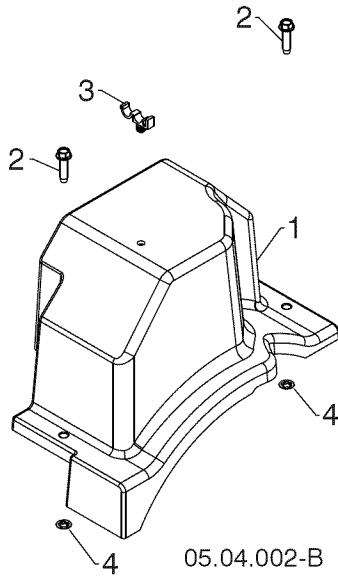
KEY NO.	PART NO.	DESCRIPTION
1	583 94 05-02	SMALL MOUNTING PLATE

**NOTE:** All component dimensions given in U.S. inches. 1 inch = 25.4 mm  
**IMPORTANT:** Use only Original Equipment Manufacturer (O.E.M.) replacement parts.  
 Failure to do so could be hazardous, damage your snow thrower and void your warranty.

**REPAIR PARTS**

**SNOW THROWER - MODEL PR241 (96192009200)**

**CHASSIS / ENGINE / PULLEYS**



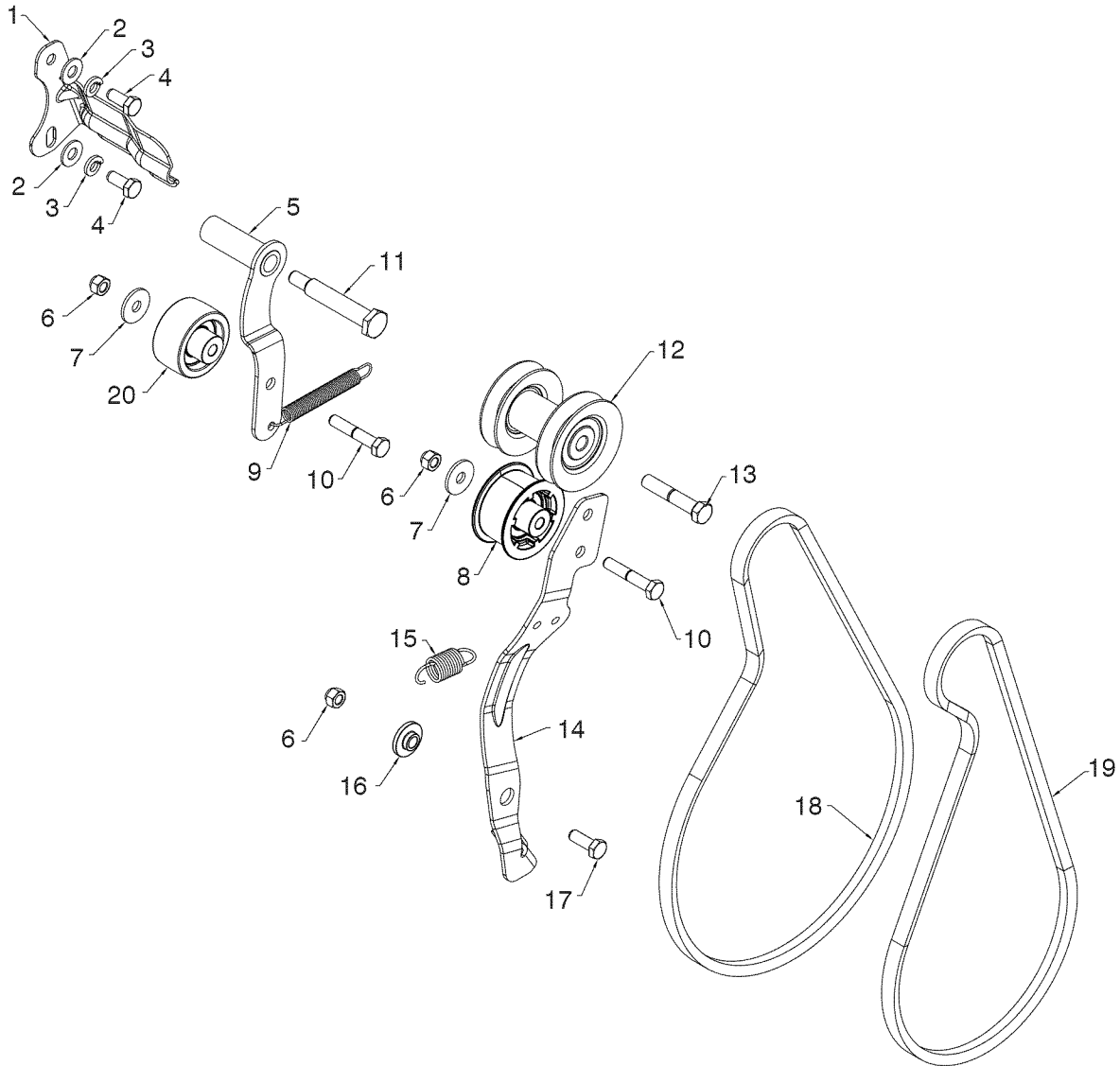
KEY NO.	PART NO.	DESCRIPTION
1	587 10 54-01	BELT COVER BLACK ASSEMBLY (INCLUDES 2 & 4)
2	-----	BOLT HEX WSH THDRL 1/4-20 X 1
3	532 14 50-06	CABLE GUIDE
4	-----	PALNUT 1/4 IN

**NOTE:** All component dimensions given in U.S. inches. 1 inch = 25.4 mm  
**IMPORTANT:** Use only Original Equipment Manufacturer (O.E.M.) replacement parts. Failure to do so could be hazardous, damage your snow thrower and void your warranty.

# REPAIR PARTS

# SNOW THROWER - MODEL PR241 (96192009200)

## CHASSIS / ENGINE / PULLEYS



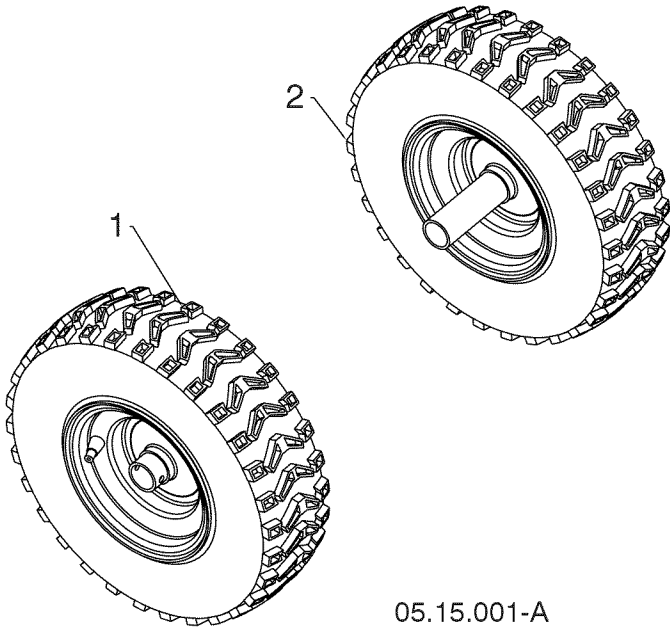
05.04.001-H

KEY NO.	PART NO.	DESCRIPTION	KEY NO.	PART NO.	DESCRIPTION
1	588 49 28-02	BELT KEEPER BRACKET	11	581 41 38-01	SHOULDER BOLT 5/16-24 X 2.15
2	819 11 12-16	WASHER 11/32 X 3/4 X 16 GA	12	587 89 37-03	PULLEY ASM ENGINE
3	810 04 05-00	LOCKWASHER 5/16 SPLIT HVY	13	532 17 96-17	BOLT HEXHD 3/8-24 X 2.00
4	874 61 05-12	CAPSCREW HEXHD 5/16-24 X .75 GR 5	14	580 83 11-04	ARM IDLER
5	581 33 82-03	IDLER ARM DRIVE WELDMENT	15	587 03 12-01	RETURN SPRING IDLER ARM
6	873 80 05-00	NUT NYLOCK 5/16-18	16	587 34 37-01	BUSHING IDLER PIVOT
7	532 05 92-89	WASHER FLAT .328 X 1.00 X .097	17	874 76 05-14	BOLT HEXHD 5/16-18 X .875
8	581 14 14-01	IDLER PULLEY 2.0 W/SPACER	18	584 21 61-02	DRIVE BELT 4L X 38.2
9	580 75 30-01	RETURN SPRING IDLER ARM DRIVE	19	581 83 24-01	IMPELLER BELT
10	874 76 05-28	BOLT HEXHD 5/16-18 X 1.75	20	586 88 02-01	IDLER PULLEY 2.0 FLANGELESS W/SPACER

**NOTE:** All component dimensions given in U.S. inches. 1 inch = 25.4 mm  
**IMPORTANT:** Use only Original Equipment Manufacturer (O.E.M.) replacement parts. Failure to do so could be hazardous, damage your snow thrower and void your warranty.

**REPAIR PARTS  
WHEELS**

**SNOW THROWER - MODEL PR241 (96192009200)**



KEY NO.	PART NO.	DESCRIPTION
1	580 62 77-03	WHEEL 13X4 NPS RH 1.00 K478
2	580 62 76-03	WHEEL 13X4 NPS LH 1.00 K478

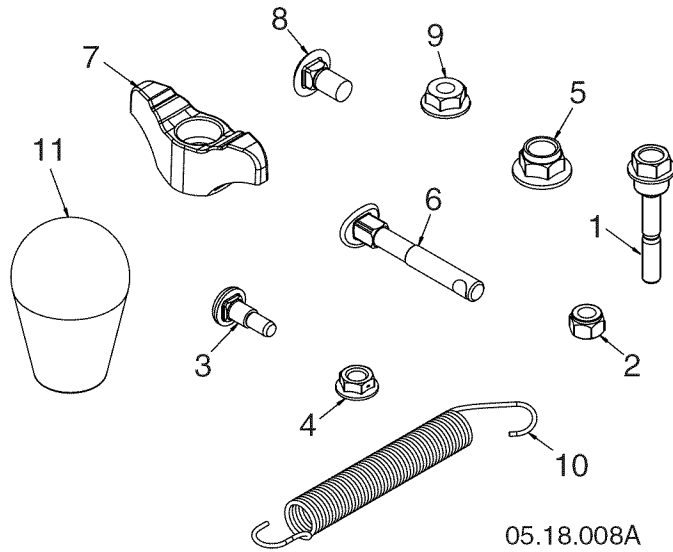
05.15.001-A

**NOTE:** All component dimensions given in U.S. inches. 1 inch = 25.4 mm  
**IMPORTANT:** Use only Original Equipment Manufacturer (O.E.M.) replacement parts.  
Failure to do so could be hazardous, damage your snow thrower and void your warranty.

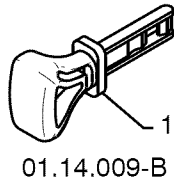


**REPAIR PARTS  
BAG OF PARTS**

**SNOW THROWER - MODEL PR241 (96192009200)**



KEY NO.	PART NO.	DESCRIPTION
1	588 07 75-01	BOLT 1/4-20 X 1.81
2	873 80 04-00	NUT NYLOCK 1/4 - 20
3	585 83 22-01	BOLT SHOULDER
4	585 69 14-01	NUT HEX FL 1/4-20 CTR
5	588 25 29-01	NUT NYLOCK 3/8-16
6	588 05 99-01	BOLT 5/16-18 X 2.25 CONCAVE
7	532 19 19-38	KNOB 5/16-18 TWO-WING
8	585 83 20-01	BOLT 5/16-18 X .625
9	873 97 05-00	NUT SERR FL LOCK 5/16-18
10	532 18 45-05	SPRING DEFLECT CHUTE
11	581 69 75-01	KNOB SOFT TOUCH SLOTTED

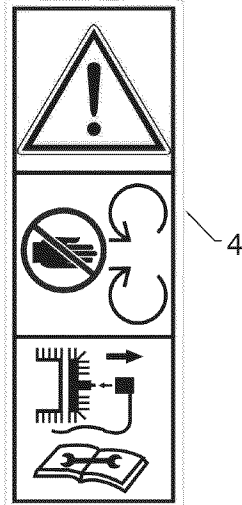
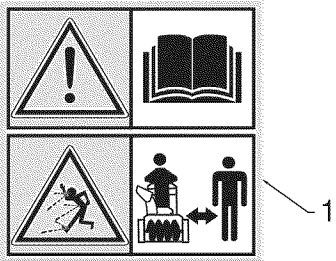


KEY NO.	PART NO.	DESCRIPTION
1	532 44 30-59	SAFETY IGNITION KEY KIT

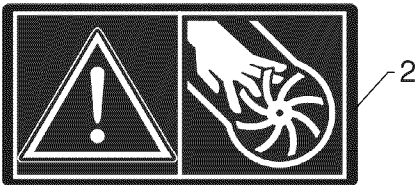
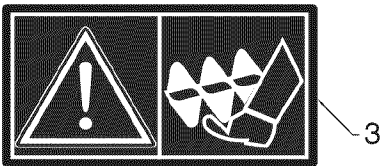
**NOTE:** All component dimensions given in U.S. inches. 1 inch = 25.4 mm  
**IMPORTANT:** Use only Original Equipment Manufacturer (O.E.M.) replacement parts.  
 Failure to do so could be hazardous, damage your snow thrower and void your warranty.

**REPAIR PARTS  
DECALS**

**SNOW THROWER - MODEL PR241 (96192009200)**



KEY NO.	PART NO.	DESCRIPTION
1	532 18 40-45	DECAL AUGER
2	532 19 96-82	DECAL CHUTE
3	532 19 96-83	DECAL AUGER SAFETY
4	532 18 40-28	DECAL BELT GUIDE

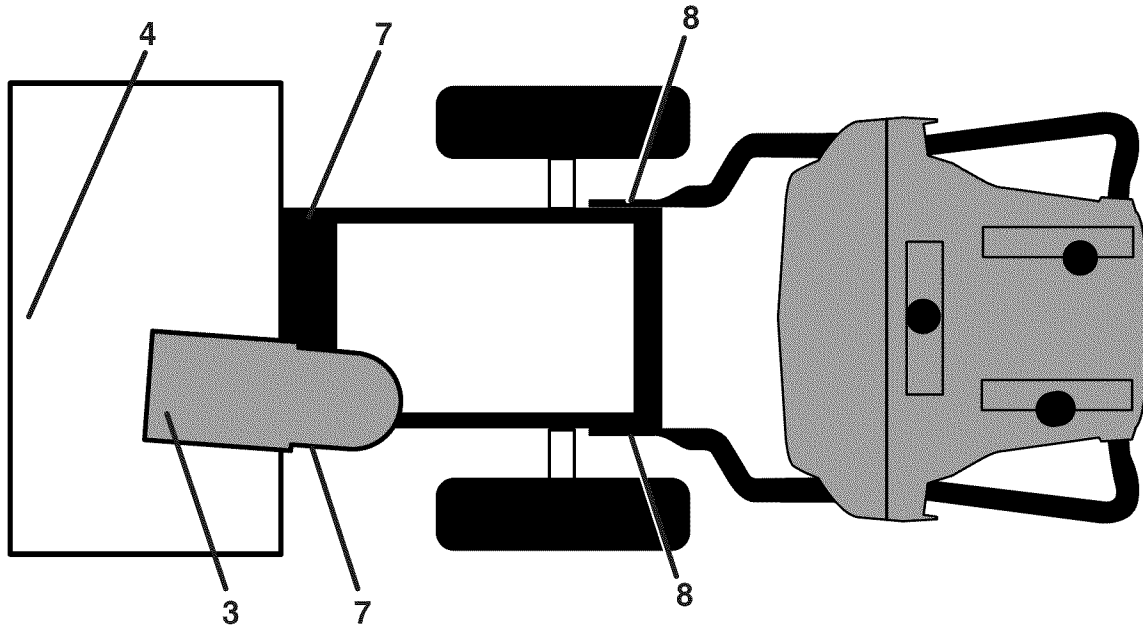


05.16.001-A

**NOTE:** All component dimensions given in U.S. inches. 1 inch = 25.4 mm  
**IMPORTANT:** Use only Original Equipment Manufacturer (O.E.M.) replacement parts.  
 Failure to do so could be hazardous, damage your snow thrower and void your warranty.

**REPAIR PARTS  
DECALS**

**SNOW THROWER - MODEL PR241 (96192009200)**



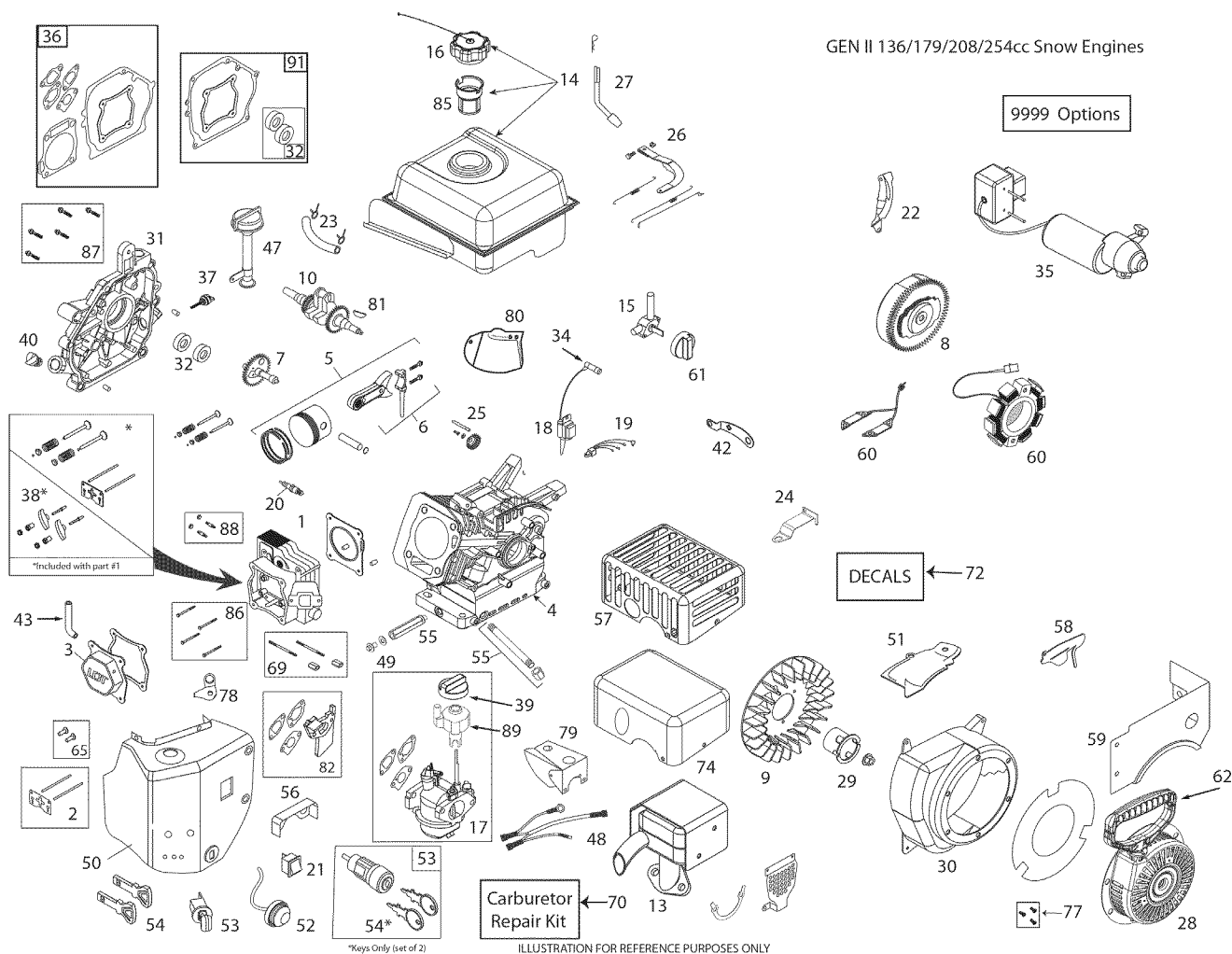
KEY NO.	PART NO.	DESCRIPTION
3	532 19 96-82	DECAL, DANGER, DEFLECTOR
4	532 18 40-45	DECAL, DANGER
7	532 18 40-28	DECAL
8	532 19 96-83	DECAL
--	588 63 17-27	OWNER'S MANUAL, ENGLISH
--	588 63 17-31	OWNER'S MANUAL, FRENCH
--	588 63 17-46	OWNER'S MANUAL, SPANISH

**NOTE:** All component dimensions given in U.S. inches. 1 inch = 25.4 mm  
**IMPORTANT:** Use only Original Equipment Manufacturer (O.E.M.) replacement parts.  
 Failure to do so could be hazardous, damage your snow thrower and void your warranty.

# REPAIR PARTS

# SNOW THROWER - MODEL PR241 (96192009200)

## COMPLETE ENGINE - 580426006



### KEY PART NO. NO.

KEY PART NO.	NO.	DESCRIPTION
1	532 42 05-78	CYLINDER HEAD ASSEMBLY - 208CC (INCL. GASKET)
2	532 42 05-79	PUSH ROD & PLATE KIT (208CC) (INCL. VALVE COVER GSKT)
3	587 17 69-01	VALVE COVER (208CC) (INCL. GASKET)
4	532 43 65-67	CYLINDER - 208CC GEN LL SNOW
5	532 42 05-82	PISTON & ROD ASSEMBLY (208CC)
6	532 42 05-83	CONNECTING ROD ASSEMBLY (208CC)
7	532 42 05-84	CAMSHAFT - MCR (208CC)
8	532 44 38-92	FLYWHEEL - ELECTRIC START (6-CHARGING MAGNETS) (208CC)
9	532 42 05-86	COOLING FAN - FLYWHEEL (PLASTIC - 208CC)
10	532 44 66-42	CRANKSHAFT (#18 KEYED 208CC SNOW)
13	532 43 65-63	MUFFLER ASSEMBLY-GEN LL SNOW

### KEY PART NO. NO.

KEY PART NO.	NO.	DESCRIPTION
14	532 43 65-64	FUEL TANK (208CC-SNOW) (2.7L BLACK W/PLASTIC CAP - GEN II)
15	532 42 92-34	FUEL TANK ON/OFF VALVE (PETCOCK) - GEN II SNOW
16	532 42 49-42	FUEL TANK CAP - BLACK CLICK STYLE (VENTED) SAME AS 4301.1
17	532 43 65-65	CARBURETOR(L10-1) (GEN II SNOW 208CC-W/ GSKTS&SPACER)-OBSOLETE
18	532 44 39-34	IGNITION COIL (CDI) (208CC) (STANDARD)
19	N/A	N/A
20	532 42 49-39	SPARK PLUG
21	532 42 49-57	ON/OFF SWITCH - ROCKER
22	532 42 49-75	SHIELD - FLYWHEEL - ELECTRIC START - SNOW
23	532 43 21-44	FUEL HOSE KIT (1/4" ID X 318MM - SS SNOW)
24	532 42 92-59	SPEED CONTROL BRACKET (FIXED)

**NOTE:** All component dimensions given in U.S. inches. 1 inch = 25.4 mm

**IMPORTANT:** Use only Original Equipment Manufacturer (O.E.M.) replacement parts. Failure to do so could be hazardous, damage your snow thrower and void your warranty.

# REPAIR PARTS

# SNOW THROWER - MODEL PR241 (96192009200)

## COMPLETE ENGINE - 580426006

KEY PART NO.	KEY PART NO.	DESCRIPTION	KEY PART NO.	KEY PART NO.	DESCRIPTION
25	532 42 96-46	GOVERNOR GEAR ASSEMBLY (136/208CC)	53	532 42 49-54	SAFETY KEY SWITCH -SNOW (INCL. KEYS)
26	581 76 87-01	GOVERNOR ARM & LINK KIT (208CC SNOW - 3600 FIXED RPM)	54	532 44 30-59	KEY SET - RED (2) (SNOW)
27	532 42 06-02	GOVERNOR ARM PADDLE	55	532 43 26-86	OIL DRAIN TUBE-SNOW (136/208CC)
28	532 43 69-67	RECOIL STARTER ASSY(ROUND-BLACK)SNOW	56	532 42 92-60	CARBURETOR VAPOR SHIELD - 208CC SNOW
29	532 43 69-68	STARTER CUP (USE WITH ROUND STYLE STARTER) (208CC SNOW)	57	532 43 66-72	CE COMPLIANT MUFFLER SHIELD (208CC)
30	581 19 20-01	BLOWER HOUSING - BLACK ELECTRIC START W/INTEGRATED BAFFLE	58	532 42 49-60	SHIELD - GOVERNOR LINKAGE - 208CC SNOW
31	532 44 37-73	CRANKCASE COVER ASSY-HOFT (PRESSED IN) (INCL. GASKET),1 LOWER OIL FILL	59	532 43 65-62	FUEL TANK SKIRT (208CC) SNOW)
32	532 42 95-99	OIL SEAL KIT (2 PCS FOR 3/4-INCH CRANKSHAFT)	60	532 44 38-93	CHARGING COIL (60-WATT AC) (208/254CC)
34	532 43 69-66	SPARK PLUG BOOT - WITH METAL SHIELD (SNOW)	61	532 43 27-52	FUEL CONTROL KNOB (GEN II SNOW - RED)
35	532 43 64-66	120V ELECTRIC STARTER (208/254CC GEN LL) (SIDE MOUNT)	62	532 42 49-68	STARTER GRIP-SNOW
36	532 42 96-01	ENGINE GASKET KIT (208CC)	65	581 37 28-01	TAPPET KIT (208/254CC)(SET OF 2)
37	532 42 09-61	SMALL BLACK OIL DIPSTICK (PLASTIC)	69	532 42 49-51	CARBURETOR STUDS & COUPLING KIT-SNOW
38	532 42 96-91	ROCKER ARM KIT (208CC)(INCL. GASKET)	70	580 35 36-01	CARBURETOR REPAIR KIT (136/208/254CC)
39	532 42 92-24	CHOKE CONTROL KNOB (GEN II RED)	72	532 43 56-47	STORMFORCE LABEL KIT-208CC SNOW - LQA [SKSN5991.1]
40	532 42 95-98	NON-REMOVABLE PLASTIC PLUG (136/208/254CC)	74	581 76 88-01	MUFFLER HEAT SHIELD COVER (136/208/254)
42	N/A	N/A	77	532 43 26-88	RECOIL BOLT KIT (3 BOLTS PER KIT)
43	580 35 34-01	BREATHER TUBE (136/208/254CC)	78	581 45 93-01	BREATHER TUBE BRACKET
47	532 42 49-69	HIGH OIL-FILL TUBE/DIPSTICK (THREADED) SERIAL NUMBERS SMALLE	79	585 77 37-01	CARBURETOR COVER (136CC SNOW)
47	581 00 72-01	HIGH OIL-FILL TUBE/DIPSTICK (PRESS-IN TYPE) (SN >1265H051925	80	N/A	N/A
48	532 42 92-62	WIRE HARNESS (208CC SNOW)	81	585 29 72-01	WOODRUFF FLYWHEEL KEYS (5-PACK) (5X6X18MM)(208/414CC)
49	532 43 54-95	OIL DRAIN PLUG W/WASHER (136/208/254CC)	82	585 02 05-03	208CC/254CC CARBURETOR SPACER KIT
50	532 43 65-61	HEATER BOX KIT (GEN LL 208CC SNOW)	85	586 32 56-01	FUEL TANK STRAINER
51	532 43 71-19	SHIELD - CYLINDER	86	586 32 73-01	CYLINDER HEAD BOLT KIT (4) (136-179-208-254CC)
52	532 42 49-49	PRIMER BULB WITH HOSE-SNOW	87	586 32 69-01	CC COVER BOLT KIT (6) (179-208-254CC)
			88	586 32 68-01	MUFFLER MTG STUD KIT (2)
			89	N/A	N/A
			91	587 52 57-01	CRANKSHAFT GASKET KIT 179-208CC
			9999	586 32 62-01	HIGH ALTITUDE JET (>6,000 FEET) (208CC L10-1 CARBURETOR)

**NOTE:** All component dimensions given in U.S. inches. 1 inch = 25.4 mm  
**IMPORTANT:** Use only Original Equipment Manufacturer (O.E.M.) replacement parts. Failure to do so could be hazardous, damage your snow thrower and void your warranty.

---

# SERVICE NOTES

---

---

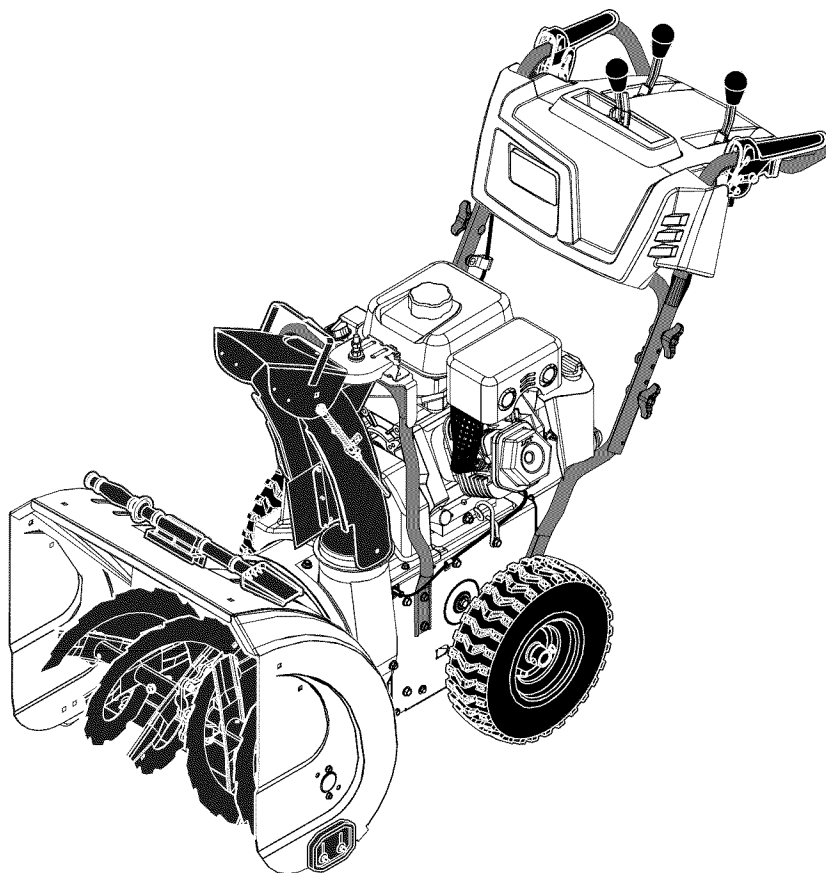
# SERVICE NOTES

---

**Poulan PRO**



# Poulan PRO



MANUAL DE DUEÑOS

MODELO:

**PR241**

MÁQUINA QUITANIEVES

**⚠ ADVERTENCIA:**

Leer, entender y seguir todas las instrucciones sobre la máquina y en el manual antes de empezar. Si no se observan las instrucciones de seguridad siguientes se pueden producir lesiones graves o la muerte.




SIEMPRE USE PROTECCIONES PARA LOS OJOS MIENTRAS OPERE

Esta máquina puede utilizar gasolina con un contenido de hasta el 10% de etanol (E10). El uso de una gasolina que supere el 10% de etanol (E10) anulará la garantía del producto.

## IMPORTANTE

### Procedimientos de Funcionamiento Seguro Para Máquinas Quitanieves

Esta máquina puede amputar manos y pies y lanzar objetos.  
El no observar las siguientes instrucciones de seguridad puede dar lugar a heridas graves.

	<b>Busque este símbolo que señala las precauciones de seguridad de importancia. Quiere decir ¡ATENCIÓN! ¡ESTE ALERTO! SU SEGURIDAD ESTA COMPROMETIDA.</b>
	<b>ADVERTENCIA: Siempre desconecte el alambre de la bujía y póngalo donde no pueda entrar en contacto con la bujía, para evitar el arranque por accidente, durante la preparación, el transporte, el ajuste o cuando se hacen reparaciones.</b>
	<b>ADVERTENCIA: Esta máquina quitanieves se puede utilizar en aceras, vías de acceso y otras áreas a nivel del suelo. Hay que tener precaución usándola sobre pendientes. No usar la máquina quitanieves en áreas sobre el nivel del suelo, como techos de casas, garajes, pórticos u otras estructuras o edificios similares.</b>

	<b>ADVERTENCIA: Las máquinas quitanieves tienen partes giratorias expuestas, que pueden causar heridas graves por contacto, o por material lanzado desde el conducto de eyección. Mantener siempre el área de operación libre de toda persona, niños pequeños y animales domésticos, incluso durante la puesta en marcha.</b>
 	<b>PRECAUCIÓN: El silenciador y otras piezas del motor llegan a ser extremadamente calientes durante la operación y siguen siendo calientes después de que el motor haya parado. Para evitar quemaduras severas, permanezca lejos de estas áreas.</b>
	<b>ADVERTENCIA: El tubo de escape del motor, algunos de sus constituyentes y algunos componentes del vehículo contienen o desprenden productos químicos conocidos en el Estado de California como causa de cáncer y defectos al nacimiento u otros daños reproductivos.</b>

### Formación

1. Antes de hacer funcionar esta unidad hay que leer, comprender y seguir todas las instrucciones en la máquina y en el manual(es). Familiarizarse completamente con los mandos y el uso correcto de la máquina. Hay que saber como parar la unidad y desconectar los mandos rápidamente.
2. No permitir nunca que menores de edad utilicen la máquina. No permitir nunca que adultos sin adecuada instrucción previa utilicen la máquina.
3. Mantener el área de operación libre de toda persona, especialmente niños pequeños y animales domésticos.
4. Atención a evitar de resbalarse o caerse especialmente cuando se va marcha atrás.

### Preparación

1. Inspeccionar a fondo el área donde se va a utilizar la máquina y quitar todos los felpudos, trineos, planchas, hilos y otros objetos ajenos.
2. Desconectar todos los embragues en la posición neutra antes de poner en marcha el motor.
3. No accionar la máquina sin llevar vestidos invernales adecuados para el exterior. Evitar vestidos sueltos y colgantes que puedan quedarse atrapados en las partes giratorias. Calzar zapatos que mejoren la estabilidad en áreas resbaladizas.
4. Manejar el carburante con precaución; es altamente inflamable.
  - (a) Usar un contenedor aprobado para carburante.
  - (b) No añadir nunca carburante a un motor en marcha o caliente.
  - (c) Llenar el depósito de carburante al aire libre con extrema precaución. No llenar nunca el depósito de carburante al interior de un edificio.
  - (d) No llenar nunca contenedores dentro un vehículo o en un camión o remolque revestido con forro de plástico. Posicionar siempre los contenedores en el suelo, lejos de su vehículo antes de llenarlos.

- (e) Cuando sea práctico, quitar los aparatos alimentados por gas del camión o del remolque y abastecer en el suelo. Si esto no fuera posible, entonces hay que abastecer tales aparatos sobre un remolque mediante contenedores portátiles, más bien que con un inyector de distribución de gasolina.
  - (f) Mantener siempre la boquilla en contacto con el borde de la apertura del depósito de carburante, hasta que el reaprovisionamiento esté completo. No usar un dispositivo de cierre de la boquilla.
  - (g) Reponer el tapón de carburante firmemente y secar el carburante derramado.
  - (h) Si el carburante se derrama sobre vestidos, cambiarlos inmediatamente.
5. Para todas las unidades con motores de mando eléctrico o de encendido eléctrico, usar cables de prolongamiento y receptáculos especificados por el fabricante.
  6. Regular la altura de la máquina quitanieves para evitar áreas de gravilla o de pedrisco.
  7. No intentar nunca hacer regulaciones mientras el motor esté en marcha (excepto cuando está recomendado específicamente por el fabricante).
  8. Llevar siempre gafas de protección o máscaras para los ojos durante la utilización de la máquina o mientras se haga una regulación o una reparación para proteger los ojos de objetos extraños que pueden ser lanzados por la máquina quitanieves.
  9. Use protectores de oídos para evitar daños en la audición.

### Funcionamiento

1. No meter las manos o los pies cerca o debajo de partes giratorias. No acercarse nunca al área de apertura de eyección.
2. Tener extrema cautela mientras la máquina funcione en avenidas, caminos, carreteras de gravilla o los cruce. Estar alerta por peligros escondidos o tráfico.
3. Después de golpear un objeto ajeno, parar el motor, quitar el cable de la bujía de encendido, desconectar el cable de los motores eléctricos, inspeccionar a fondo la máquina quitanieves para detectar daños y repararlos antes de volver a encender y utilizar la máquina quitanieves.

4. Si la unidad empezara a vibrar de manera anormal, parar el motor y controlar inmediatamente para detectar la causa. Las vibraciones son generalmente indicio de problemas.
5. Parar el motor cada vez que se abandone la posición de funcionamiento, antes de limpiar el alojamiento del colector / impulsor o el conducto de eyección y cuando se hagan reparaciones, regulaciones o inspecciones.
6. Cuando se limpie, repare o inspeccione la máquina, cerciorarse de que todos los mandos estén desconectados y que la colector / impulsor y todas las partes móviles estén paradas. Desconectar el cable de la bujía de encendido y mantener el cable lejano de la bujía de encendido para prevenir puestas en marcha accidentales.
7. No hacer funcionar el motor al interior, excepto en la puesta en marcha y para transportar la máquina quitanieves dentro o afuera del edificio. Abrir las puertas que dan al exterior; los gases de escape son peligrosos.
8. Tener mucho cuidado cuando se trabaja en terrenos pendientes.
9. Nunca hacer funcionar el quitanieves sin que sus protecciones y los otros dispositivos de seguridad estén bien colocados y funcionen.
10. No dirigir nunca la eyección hacia personas o áreas donde se pueden producir daños. No permitir que los niños se acerquen.
11. No sobrecargar la capacidad de la máquina intentando despejar nieve a una velocidad demasiado alta.
12. No conducir la máquina demasiado rápidamente sobre superficies resbaladizas. Mirar atrás y ser prudente durante la marcha atrás.
13. Desconectar la alimentación de la barrena / impulsor cuando se transporta o no se utiliza la máquina quitanieves.
14. Usar únicamente accesorios aprobados por el constructor de la máquina quitanieves (como pesos para las ruedas, contrapesos o cabinas).

15. No hacer funcionar nunca la máquina quitanieves sin una buena visibilidad o iluminación. Hay que estar siempre seguros de los propios pasos y agarrarse firmemente a la empuñadura. Caminar; nunca correr.
16. Nunca tocar un motor o un silenciador de escape calientes.

### Limpiar un conducto de descarga obturado

El contacto de la mano con el impulsor giratorio al interior del conducto de descarga es la causa más común de lesiones con las máquinas quitanieve. Nunca usar las manos para limpiar el conducto de descarga. Para limpiar el conducto:

1. ¡APAGAR EL MOTOR!
2. Esperar 10 segundos para asegurarse de que las hojas del impulsor hayan parado de girar.
3. Usar siempre una herramienta para limpiar, nunca las manos.

### Mantenimiento y conservación

1. Controlar frecuentemente que el perno de cizalla y los demás pernos estén adecuadamente apretados para asegurar que la máquina puede trabajar con seguridad.
2. No dejar nunca la máquina quitanieves con carburante en su depósito dentro de un edificio donde hayan fuentes de ignición, como agua caliente y calentadores de ambiente o secadoras de ropa. Dejar enfriar el motor antes de guardar la máquina al interior.
3. Hacer siempre referencia a la guía de instrucciones del operador para detalles importantes si se tiene que guardar la máquina quitanieves por un largo periodo.
4. Mantener o sustituir las etiquetas de seguridad e instrucción, si fuera necesario.
5. Hacer funcionar la máquina quitanieves por algunos minutos después de lanzar nieve, para limpiar la máquina y prevenir el congelamiento de la colector / impulsor.

**FELICITACIONES** por la compra de su Máquina Quitanieves. Ha sido diseñado, planificado y fabricado para darle la mejor confiabilidad y el mejor rendimiento posible.

En el caso de que se encuentre con cualquier problema que no pueda solucionar fácilmente, haga el favor de ponerse en contacto con un Centro de Piezas y Reparación o con un otro centro de servicio cualificado. Cuenta con técnicos bien capacitados y competentes y con las herramientas adecuadas para darle servicio o para reparar este unidad.

Haga el favor de leer y de guardar este manual. Estas instrucciones le permitirán montar y mantener su unidad en forma adecuada. Siempre observe las "REGLAS DE SEGURIDAD."

NÚMERO DE SERIE: \_\_\_\_\_

FECHA DE COMPRA: \_\_\_\_\_

EL NÚMERO DEL NODELO Y EL DE SERIE SE ENCUENTRAN EN LA CALCOMANIA ADJUNTA A LA PARTE TRASERA DE LA CAJA DE LA MÁQUINA QUITANIEVES.

DEBE REGISTRAR TANTO EL NÚMERO DE SERIE COME LA FECHA DE COMPRA Y MANTENGALOS EN UN LUGAR SEGURO PARA REFERENCIA EN EL FUTURO.

### ESPECIFICACIONES DEL PRODUCTO

<b>Capacidad y</b>	0.71 Galones (2,7 L)
<b>Tipo de Gasolina:</b>	Regular Sin Plomo
<b>Tipo de Aceite</b>	SAE 30 (sobre 50°F)
<b>(API SG-SL):</b>	SAE 5W-30 o 10W-30 (32° a 50°F) SAE 5W-30 (deabajo 32°F)
<b>Capacidad de Aceite:</b>	19 Onzas (0,6 L)
<b>Bujía:</b>	F6RTP
<b>Abertura:</b>	0.030" (0,762 mm)

### RESPONSABILIDADES DEL CLIENTE

- Lea y observe las reglas de seguridad.
- Siga un programa regular de mantenimiento, cuidado y uso de su Máquina Quitanieves.
- Siga las instrucciones descritas en las secciones "Mantenimiento" y "Almacenamiento" de este Manual del Dueño.

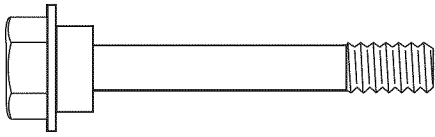
## TABLA DE MATERIAS

REGLAS DE SEGURIDAD .....	2-3
ESPECIFICACIONES DEL PRODUCTO .....	3
RESPONSABILIDADES DEL CLIENTE .....	3
MONTAJE / PRE-OPERACIÓN.....	5-6
OPERACIÓN.....	7-12
PROGAMA DE MANTENIMIENTO .....	13

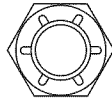
MANTENIMIENTO .....	13-14
SERVICIO Y AJUSTES .....	15-18
ALMACENAMIENTO .....	19
IDENTIFICACION DE PROBLEMAS .....	20
PIEZAS DE REPARACIÓN .....	22-43
PIEZAS DEL MOTOR .....	44-45

# PEDAZOS PARA LA MONTAJE

## PERNOS Y TURCAS EXTRA PARA LA CIZALLA



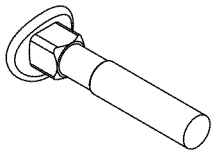
(2) TORNILLOS DE CASQUILLO 1/4-20 x 1-3/4



(2) TUERCAS DE SEGURIDAD 1/4-20



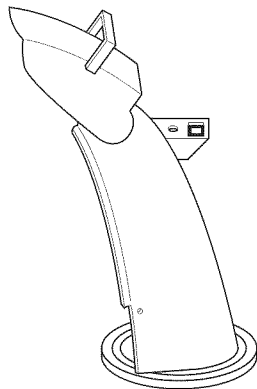
(3) PERILLA



(2) COCHE CIERRA 5/16-18 x 2 1/4"

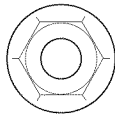


(2) MANEJE LA PERILLAS

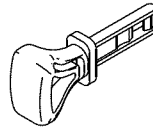


(1) CONDUCTO LA DESCARGA

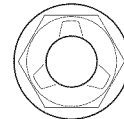
## MONTAJE DE CABEZA DE LOS ROTADORES



(1) TUERCA DE SEGURIDAD 3/8



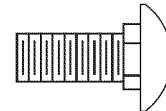
LLAVES(S) DE IGNICIÓN DE SEGURIDAD



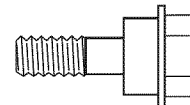
(1) TUERCA DE SEGURIDAD 5/16-18



(1) TUERCA DE SEGURIDAD 1/4-20

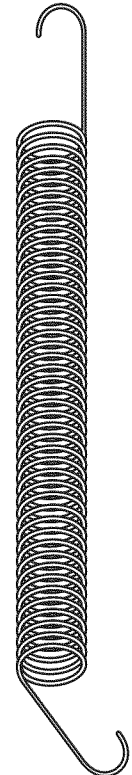


(1) COCHE CIERRA 5/16-18 x 5/8



(1) TORNILLO 1/4-20

## CONTROL DEL DEFLECTOR



(1) RESORTE

# MONTAJE

Leer estas instrucciones y este manual completamente antes de empezar a montar o hacer funcionar su nuevo quitanieves. La lectura del manual le familiarizará con la unidad, lo cual le asistirá en el montaje, la operación y el mantenimiento del producto.

Su nuevo quitanieves se ha montado en la fábrica excepto aquellas partes que se han dejado sueltas por motivos de transporte. Todas las partes como las tuercas, arandelas, pernos, etc., necesarias para completar el ensamblaje se hallan en la bolsa de las partes. Para asegurar un funcionamiento seguro y adecuado de su quitanieves, todas estas partes que usted ensamblará han de apretarse muy bien. Usar las herramientas correctas que aseguren el apriete adecuado.

## SACAR LA MÁQUINA QUITANIEVES DEL CARTÓN

1. Sacar todas las partes sueltas y las cajas de partes del cartón.
2. Cortar los cuatro ángulos del cartón y apoyar los paneles en horizontal.
3. Retire los dos (2) tornillos que fijan el alojamiento de la barrena al palet y extraiga las abrazaderas de acero adicionales de la placa protectora si están instaladas.
4. Retire todos los materiales de embalaje.
5. Retire las sujeciones de plástico que fijan el quitanieves al palet.
6. Sacar la máquina quitanieves del cartón y controlar a fondo que no se hayan quedado en el cartón partes adicionales sueltas.

## COMO PREPARAR SU MÁQUINA QUITANIEVES

Guarde los pernos de seguridad y las tuercas que se suministran en la bolsa de piezas.

### DESPLIEGAR LA EMPUÑADURA SUPERIOR (Ver Fig. 1-3)

1. Eleve el manillar superior a la posición de funcionamiento.

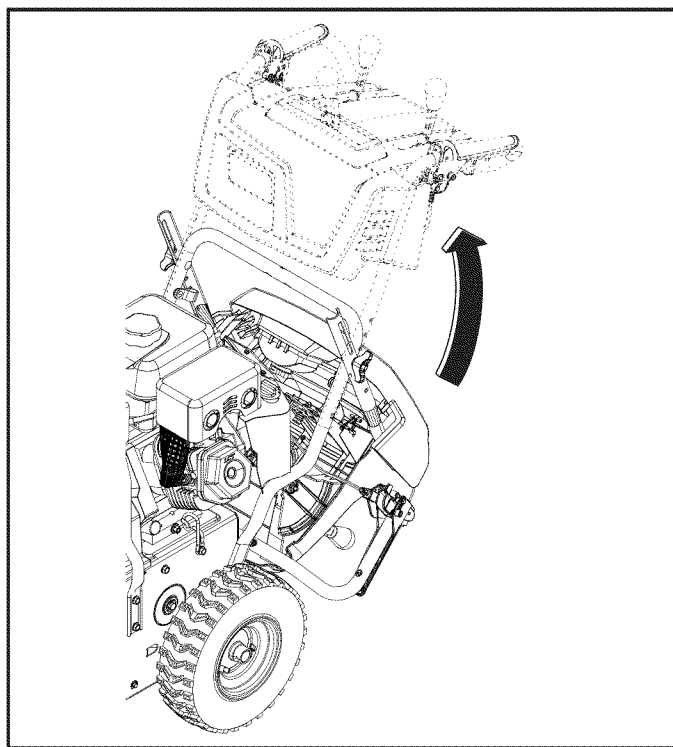


FIG. 1

2. Ajuste la altura del manillar a la posición deseada mediante los orificios de montaje adecuados y apriete las perillas inferiores del manillar firmemente.

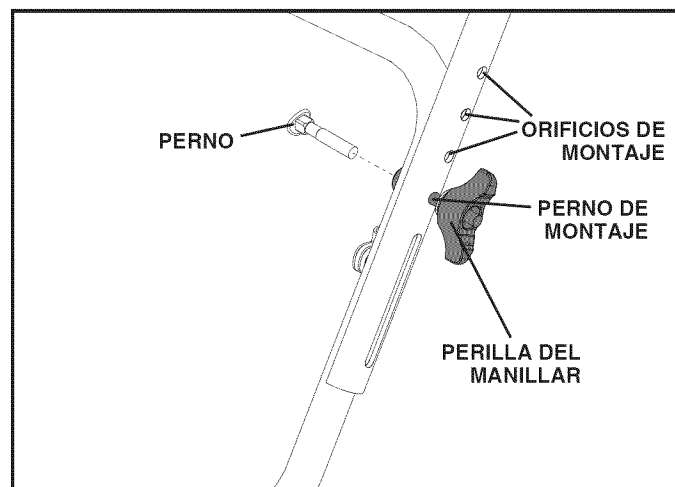


FIG. 2

3. Instale los pernos con cabeza de hongo y las perillas de la manija que se suministran en la bolsa de partes para asegurar la manija superior a la manija inferior.

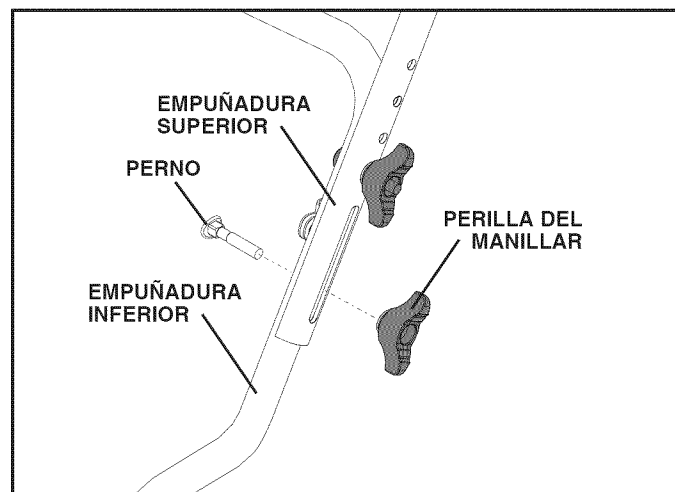


FIG. 3

# MONTAJE

## MONTAR EL CONDUCTO DE EYECCIÓN/CABEZA GIRATORIA DEL CONDUCTO (Ver Fig. 4 y 5)

**NOTA:** la llave de apriete proporcionada en su bolsa de partes se puede utilizar para instalar la cabeza giratoria del conducto.

1. Colocar el grupo del conducto de eyección sobre la base del conducto con la abertura de eyección hacia el frente de la máquina quitanieves.
2. Posicionar la cabeza giratoria del conducto sobre el soporte del conducto. Si fuera necesario, girar el grupo del conducto para alinear la escuadra y la clavija debajo de la cabeza giratoria del conducto con los orificios en el soporte del conducto.
3. Con la cabeza giratoria del conducto y el soporte del conducto alineados, posicionar la cabeza giratoria del conducto sobre la clavija y el perno con filete del soporte de montaje.
4. Instale la contratuerca en el espárrago roscado y apriétela con firmeza.

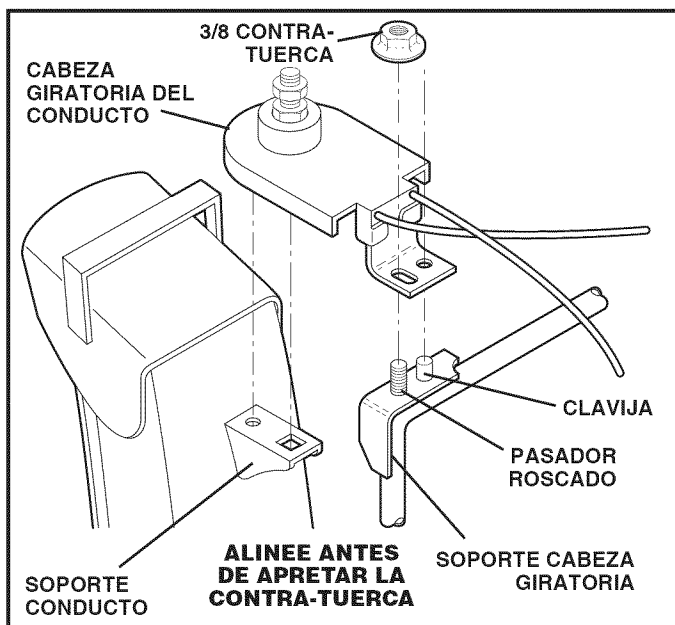


FIG. 4

5. Asegure los cables del rotador para bajar el manillar mediante el sujetador doble.

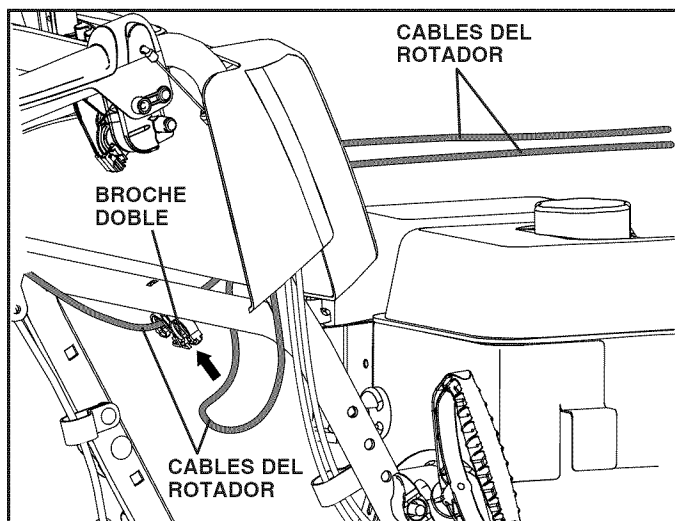


FIG. 5

## MONTAR EL MANDO A DISTANCIA DEL DEFLECTOR DEL CONDUCTO (Ver Figs. 6 y 7)

1. Acoplar el soporte del cable remoto al conducto de eyección con un perno de collarín de 1/4-20 y una contratuerca de 5/16-18 como mostrado. Apretar firmemente.
2. Montar el ojal metálico del cable remoto al deflector del conducto con un perno de collarín de 1/4-20, una arandela de nylon, una arandela plana y una contratuerca de 1/4-20 como mostrado. Apretar firmemente. El ojal del cable estará flojo sobre el perno con resalto.
3. Colocar resortes de gancho entre las tuercas hexagonales en la cabeza giratoria del conducto y en el orificio del deflector del conducto, como mostrado.

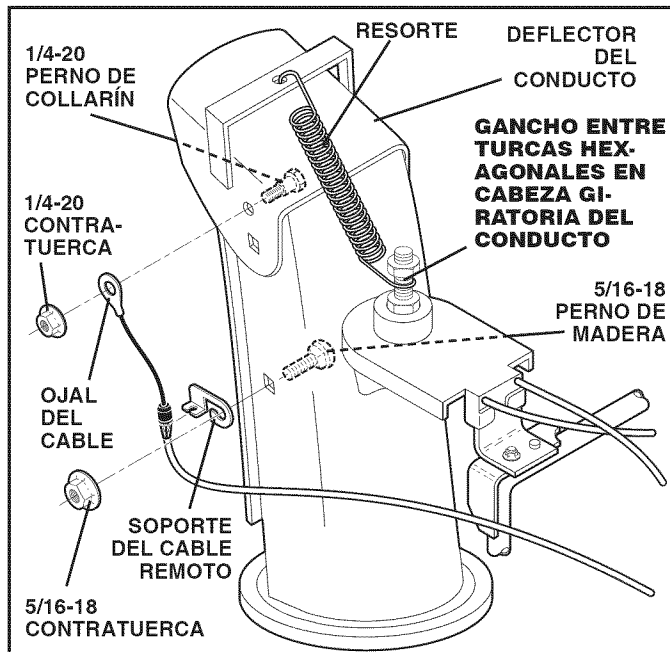


FIG. 6

4. Instale las perillas de las palancas de control presionándolas hacia abajo sobre las palancas.

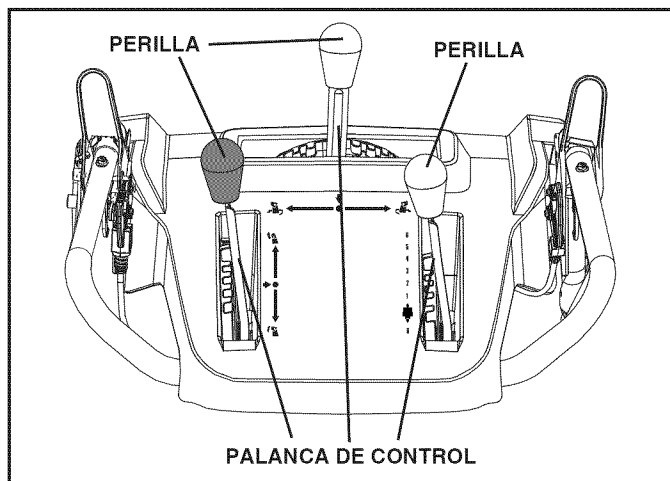


FIG. 7

## CONTROLAR LA PRESIÓN DE LOS NEUMÁTICOS

Los neumáticos de su máquina quitanieves se han inflado más de lo normal por motivos de envío. Una correcta e igual presión de los neumáticos es importante para la mejor prestación en el despeje de nieve.

- Reducir la presión de neumáticos a 14-17 PSI.

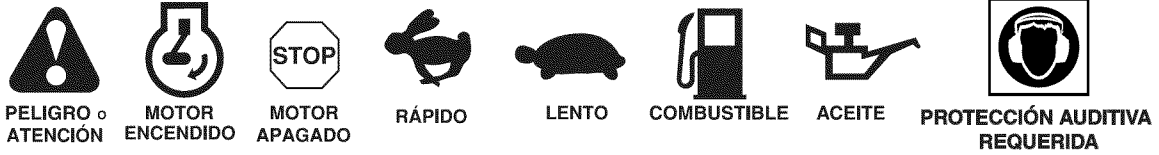
# OPERACIÓN

## FAMILIARÍCESE CON SU MÁQUINA QUITANIEVES

LEA ESTE MANUAL Y LAS REGLAS DE SEGURIDAD ANTES DE OPERAR SU MÁQUINA QUITANIEVES.

Compare las ilustraciones con su máquina quitanieves para familiarizarse con la ubicación de los diversos controles y ajustes. Guarde este manual para referencia en el futuro.

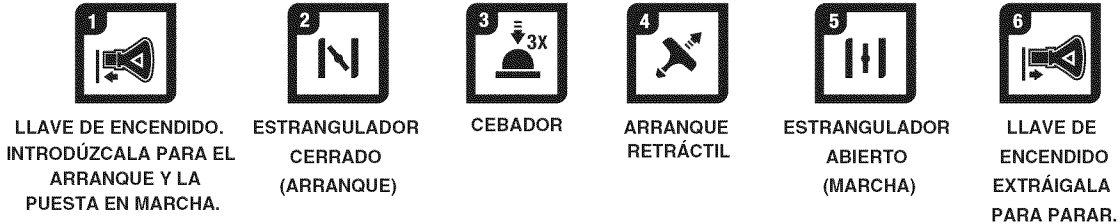
Estos símbolos pueden aparecer sobre su máquina quitanieves o en la literatura proporcionada con el producto. Aprenda y comprenda sus significados.



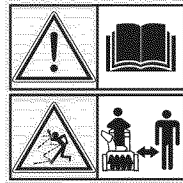
LEER Y SEGUIR TODAS LAS INFORMACIONES DE SEGURIDAD ANTES DE USAR ESTE PRODUCTO. GUARDAR ESTAS INSTRUCCIONES PARA CONSULTAS FUTURAS.



PELIGRO  
LEA EL MANUAL DE INSTRUCCIONES  
NO OPERE SOBRE PENDIENTES DE MAS DE 10  
CUIDADO CON OBJETOS LANZADOS  
GUARDESE LEJOS DE GENTE



PELIGRO  
NO PONGA LAS MANOS A LAS HOJAS  
QUITAR EL CABLE DE LA BUJÍA ENCENDIDO ANTES DE LAS OPERACIONES DE MANTENIMIENTO



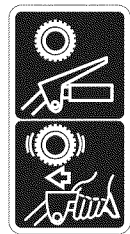
PELIGRO  
LEA EL MANUAL DE INSTRUCCIONES  
CUIDADO CON OBJETOS LANZADOS  
GUARDESE LEJOS DE GENTE



PELIGRO, MANTENER LOS PIES LEJOS



PELIGRO, MANTENGA LAS MANOS LEJOS



MANDO DE LA TRACCIÓN



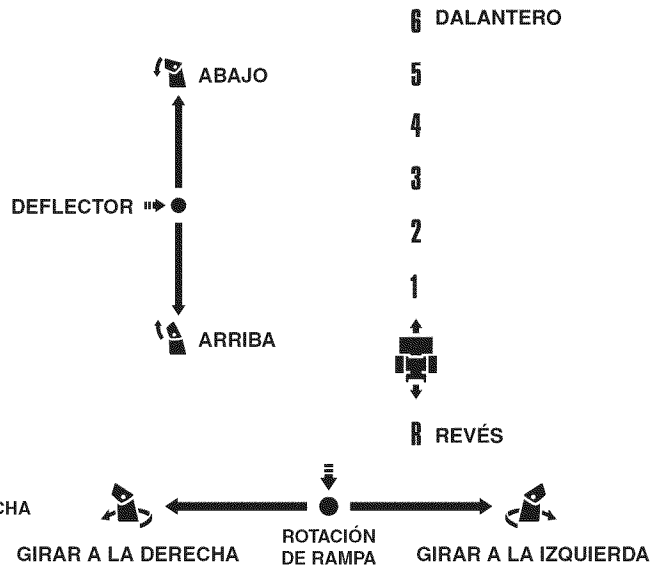
DESCARGA DE LA NIEVE



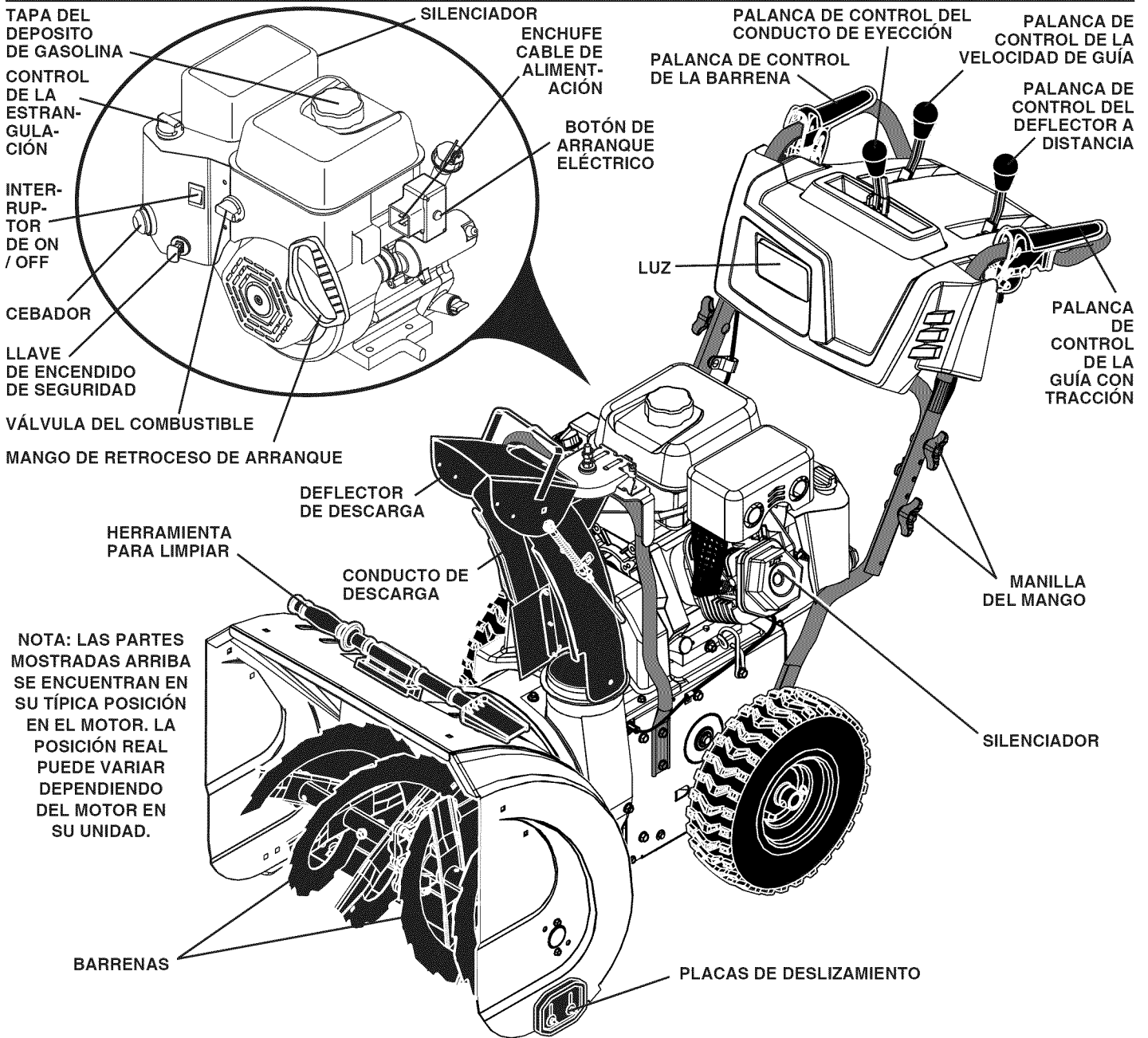
VIRAR A LA IZQUIERDA



VIRAR A LA DERECHA



# OPERACIÓN



NOTA: LAS PARTES MOSTRADAS ARRIBA SE ENCUENTRAN EN SU TÍPICA POSICIÓN EN EL MOTOR. LA POSICIÓN REAL PUEDE VARIAR DEPENDIENDO DEL MOTOR EN SU UNIDAD.

FIG. 8

## CUMPLE CON LOS REQUISITOS DE SEGURIDAD DE LA A.N.S.I.

Nuestras máquina quitanieves cumplen con los estándares de seguridad del American National Standards Institute.

**Llave de encendido de seguridad** – tiene que introducirse para que el motor arranque y funcione. Quitese cuando no se usa la máquina quitanieves.

**Botón de arranque eléctrico** – utilizado para poner en marcha el motor.

**Mango de retroceso de arranque** – utilizado para poner en marcha el motor.

**Cebador** – bombea más carburante desde el carburador al cilindro para arranques con el motor frío.

**Control de la estrangulación** – utilizado para arrancar con motor frío.

**Interruptor de ON / OFF** – utilizado para parar (STOP) el motor.

**Cálvula del combustible** - utilizado para cortar el flujo de combustible al motor.

**Palanca de control de la velocidad de guía** – utilizada para seleccionar la marcha adelante o atrás y la velocidad de la máquina quitanieves.

**Palanca de control de la guía con tracción** – utilizada para accionar el movimiento propulsado de potencia adelante o marcha atrás de la máquina quitanieves.

**Palanca de control de la barrena** – utilizada para conectar el movimiento de la barrena (lanza nieve).

**Palanca de control del conducto de eyección** – utilizada para cambiar la dirección de lanzamiento de la nieve.

**Palanca de control del deflector a distancia** – utilizada para regular la distancia a la que se lanza la nieve.

**Placas de deslizamiento** – utilizada para regular la altura de la barra de arrastre del suelo.



# OPERACIÓN



La operación de cualquier máquina quitanieves puede hacer que salten objetos extraños dentro de sus ojos, lo que puede producir daños graves en éstos. Siempre use anteojos de seguridad o protección para los ojos mientras opere su máquina quitanieves o cuando haga ajustes o reparaciones.

Recomendamos gafas o una máscara de seguridad de visión amplia de seguridad usada sobre las gafas.

## COMO UTILIZAR SU MÁQUINA QUITANIEVES

Conozca como hacer funcionar todos los mandos antes de añadir carburante o intentar poner en marcha el motor.

### PARARSE

#### GUÍA CON TRACCIÓN

- Soltar la palanca de control de guía a tracción para parar el movimiento hacia delante o marcha atrás de la máquina quitanieves.

#### BARRENA

- Soltar la palanca de control de la barrena para parar de lanzar nieve.

#### MOTOR

1. Poner el interruptor de ON / OFF en la posición de "OFF".
2. Quitar (sin girar) la llave de encendido de seguridad para prevenir un uso no autorizado.

**NOTA:** No usar nunca el cebador para parar el motor.

## USO DE LA VÁLVULA DE INTERRUPCIÓN DEL CARBURANTE (Ver Fig. 9)

La válvula de interrupción del carburante esta posicionada debajo del depósito de carburante en el motor. Hacer siempre funcionar la máquina quitanieves con la válvula de interrupción del carburante en posición ABIERTA.

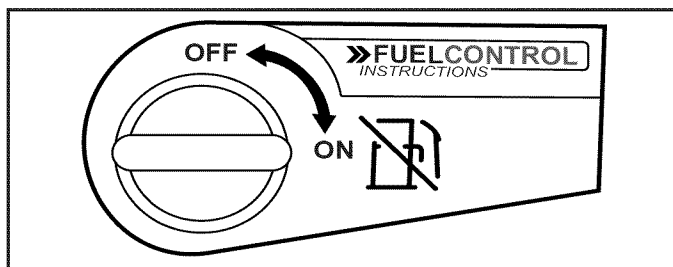


FIG. 9

## USAR EL CONTROL DE LA ESTRANGULACIÓN (Ver Fig. 10)

El mando del cebador está en el motor. Utilizar el mando del cebador siempre que se arranque con motor frío. No utilizar para poner en marcha un motor caliente.

- Para activar el arrancador, gire la palanca hacia la derecha a la posición "FULL".

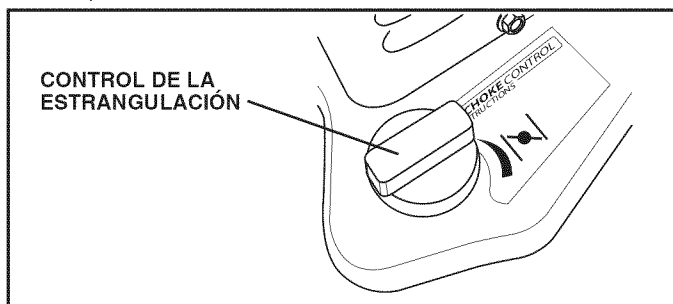


FIG. 10

## CONTROLAR LA EYECCIÓN DE LA NIEVE (Ver Fig. 11)



**ADVERTENCIA:** Las máquinas quitanieves tienen partes giratorias expuestas, que pueden causar heridas graves por contacto, o por material lanzado desde el conducto de eyección. Mantener siempre el área de operación libre de toda persona, niños pequeños y animales domésticos, incluso durante la puesta en marcha.



**ADVERTENCIA:** Si el conducto de descarga o la barrena se atascan, apagar el motor y espera que las partes en movimiento se hayan parado. Usar la herramienta de limpieza, NO LAS MANOS, para liberar el conducto y/o la barrena.

La DIRECCIÓN en la que se lanza la nieve se controla mediante la palanca del mando del conducto de eyección.

- Para cambiar la posición de la canaleta de descarga, desplace la palanca de control hacia atrás y a izquierda o derecha hasta que la canaleta esté en la posición requerida. Asegúrese de que la palanca retroceda automáticamente y quede bloqueada en su posición.

La DISTANCIA a la que se lanza la nieve se controla mediante la posición del deflector del conducto. Colocar el deflector bajo para lanzar nieve a breve distancia; colocarlo más alto para lanzar la nieve más lejos.

- Empuje a la derecha la palanca de control del deflector de la canaleta y muévala hacia delante para bajar el deflector y reducir la distancia. Mueva la palanca hacia atrás para levantar el deflector e incrementar la distancia. Asegúrese de que la palanca retroceda automáticamente y quede bloqueada en su posición.

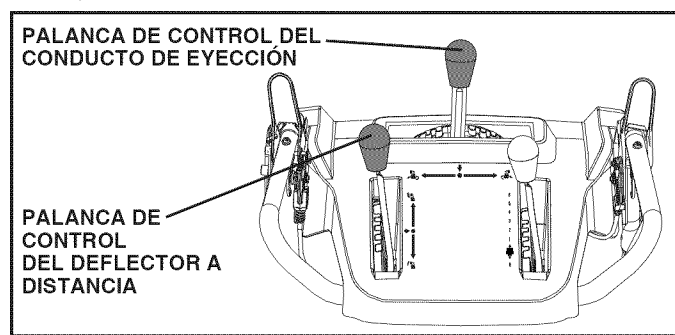


FIG. 11

## LANZAR LA NIEVE (Ver Fig. 12)

La rotación de la barrena se controla con la palanca de mando de la barrena posicionada en la empuñadura derecha.

- Apretar la palanca de mando de la barrena hacia la empuñadura para conectar la barrena y lanzar nieve.
- Soltar la palanca de mando de la barrena para parar de lanzar nieve.

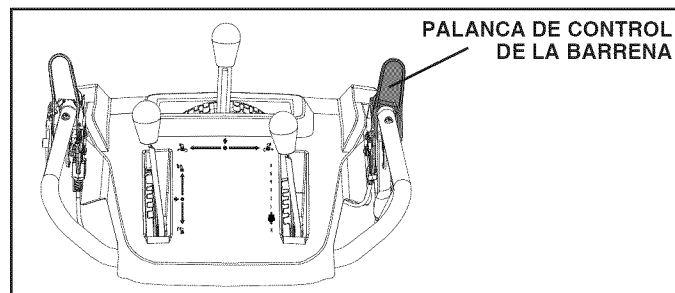


FIG. 12

# OPERACIÓN

## USAR LA HERRAMIENTA PARA LIMPIAR (Ver Fig. 13)

En ciertas condiciones de la nieve, el conducto de descarga puede atascarse con hielo y nieve. Usar la herramienta de limpieza para quitar el bloqueo.

**Cuando se limpia, repara o se inspecciona la máquina, asegurarse de que todos los mandos estén desconectados y que la barrena/impulsor y todas las partes que se mueven estén parados. Desconectar el cable de la clavija y mantener el cable alejado de la bujía para evitar una puesta en marcha accidental.**

- Soltar la palanca de mando de la barrena y apagar el motor.
- Retire la herramienta de limpieza de su abrazadera de montaje. Tome con firmeza la herramienta por el manillar mientras presiona y gira la herramienta dentro de la canaleta de descarga para eliminar el bloqueo.

Después de eliminar la nieve acumulada, volver a colocar la herramienta en su clip empujándolo en el clip.

- Asegurarse de que el conducto de descarga esté dirigido hacia una dirección segura (no vehículos, edificios, personas u que otros objetos estén en la dirección de la descarga) antes de poner en marcha el motor.
- Volver a poner en marcha el motor, luego oprimir la palanca de mando de la barrena hacia la empuñadura para limpiar la nieve del alojamiento de la barrena y el conducto de descarga.

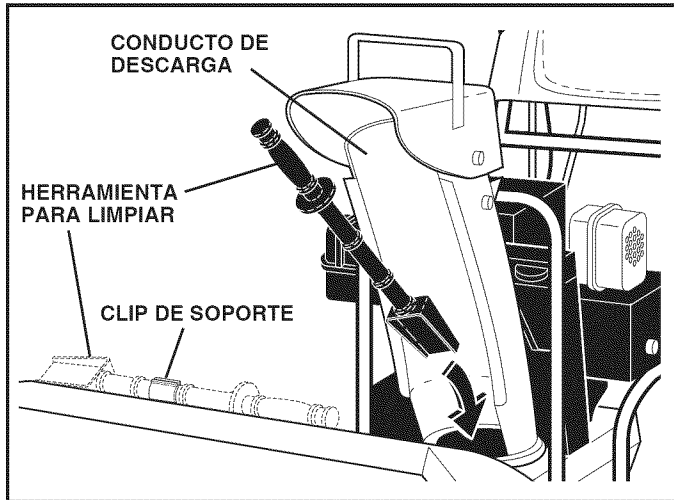


FIG. 13

## MOVERSE ADELANTE Y ATRÁS (Ver Fig. 14)

El movimiento AUTO-PROPULSADO, hacia adelante y marcha atrás de la máquina quitanieves, se controla mediante la palanca de mando de la guía de tracción posicionada en la empuñadura izquierda.

- Apretar la palanca de mando de la guía de tracción hacia la empuñadura para conectar el sistema de guía.
- Soltar la palanca de mando de la guía de tracción para parar el movimiento hacia delante o marcha atrás de la máquina quitanieves.

VELOCIDAD y DIRECCIÓN se controlan con la palanca del mando de velocidad de guía.

- Empuje la palanca de control de velocidad hacia la derecha y desplácela a la posición que desee ANTES de accionar la palanca de control de la tracción. Asegúrese de que la palanca retroceda automáticamente y quede bloqueada en su posición.

**ATENCIÓN: No mover la palanca del mando de la velocidad cuando la palanca del mando de la guía de tracción esta conectada. Esto puede perjudicar la máquina quitanieves.**

- Velocidades más lentas son para nieve más pesada y velocidades más altas para nieve ligera y para transportar la máquina quitanieves. Se recomienda usar una velocidad más baja hasta que se esté acostumbrado a las operaciones de la máquina quitanieves.

**NOTA:** Cuando ambas palancas de mando de la guía de tracción y de la barrena estén conectadas, la palanca del mando de guía de tracción bloqueará la palanca de mando de la barrena en la posición de conexión. Esto permitirá soltar la mano derecha de la empuñadura y regular la dirección del conducto de eyección sin interrumpir el proceso de lanzamiento de la nieve.

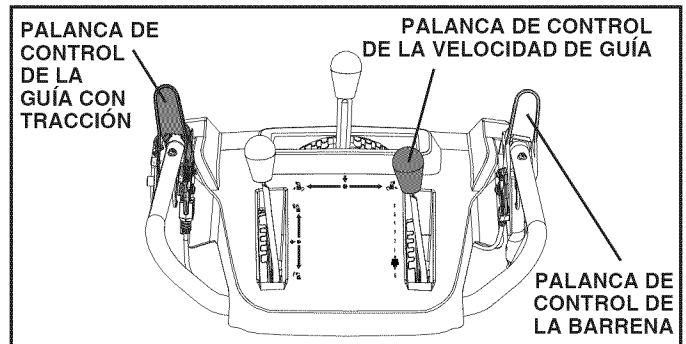


FIG. 14

# OPERACIÓN

## REGULAR LAS PLACAS DE DESLIZAMIENTO (Ver Fig. 15)

**NOTA:** la llave de apriete proporcionada en su bolsa de partes puede utilizarse para regular las placas de deslizamiento.

Las placas de deslizamiento están posicionadas a cada lado del alojamiento de la barrena y regulan la distancia entre la barra de arrastre y el suelo. Regule las placas de deslizamiento uniformemente a la altura apropiada a las condiciones de la superficie. Para despejar nieve en condiciones normales, como en vías de acceso adoquinadas o aceras, meter las placas de deslizamiento en la posición más alta (menor distancia de barrido) para dar una distancia de 1/8" entre la barra de arrastre y el suelo. Utilizar una posición intermedia si la superficie que se debe despejar no es uniforme.

**NOTA:** No hacer funcionar la máquina quitanieves sobre gravilla o superficies rocosas. Objetos como gravilla, piedras u otros escombros, pueden ser fácilmente recogidos y lanzados por el impulsor, lo que puede causar heridas personales graves, daños a propiedades o a la máquina quitanieves.

- Si se tiene que utilizar la máquina quitanieves sobre una superficie de gravilla, cerciorarse de que las placas de deslizamiento estén reguladas en la posición más baja (mayor distancia de barrido).
1. Apagar el motor y esperar a que todas las partes en movimiento se hayan parado.
  2. Regular los placas de deslizamiento destornillando tan los tuercas, seguidamente mover la placa de deslizamiento en la posición deseada. Asegurarse de que las dos placas estén reguladas uniformemente. Apretar firmemente.

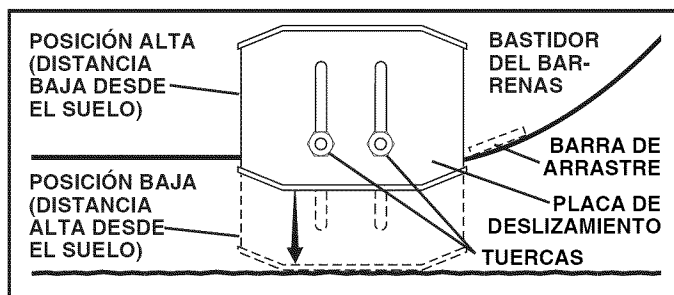


FIG. 15

## BARRA DE ARRASTRE (Ver Fig. 15)

La barra de arrastre no se puede regular, pero es reversible. Después de un uso muy prolongado, puede desgastarse. Cuando se haya consumido casi hasta el borde del alojamiento, se puede usar por el otro lado, pudiéndola utilizar por más tiempo antes de que sea necesario un recambio. Sustituir una barra de arrastre dañada o desgastada.

## ANTES DE PONER EN MARCHA EL MOTOR

### CONTROLAR EL NIVEL DE ACEITE DEL MOTOR (Ver Fig. 16)

El motor de su máquina quitanieves viene de la fábrica ya lleno de aceite.

1. Controlar el aceite del motor con la máquina quitanieves sobre un terreno llano.
  2. Sacar el tapón / varilla de nivel del relleno de aceite y limpiarla, volver a poner la varilla y enroscar el tapón firmemente, esperar algunos segundos, sacar la varilla y leer el nivel de aceite. Si fuera necesario, añadir aceite hasta llegar a la marca "FULL" (lleno) en la varilla. No llenar demasiado.
- Para cambiar el aceite del motor, ver "COMO CAMBIAR EL ACEITE DEL MOTOR" en la sección de Mantenimiento de este manual.

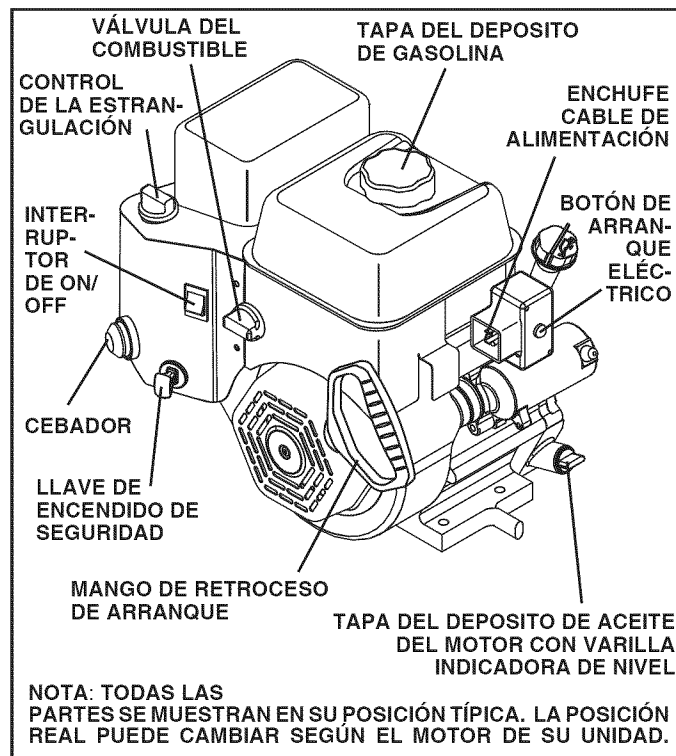
## AGREGUE GASOLINA (Ver Fig. 16)

- Llene el estanque de combustible hasta la parte inferior del cuello de relleno del estanque de gasolina. No lo llene demasiado. Use gasolina regular, sin plomo, nueva y limpia con el mínimo de 87 octanos. No mezcle el aceite con la gasolina. Para asegurar que la gasolina utilizada sea fresca compre estanques los cuales puedan ser utilizados durante los primeros 30 días.



**ADVERTENCIA:** Limpie el aceite o el combustible derramado. No almacene, derrame o use gasolina cerca de una llama expuesta.

**PRECAUCIÓN:** Los combustibles mezclados con alcohol (conocidos como gasohol, o el uso de etanol o metanol) pueden atraer la humedad, la que conduce a la separación y formación de ácidos durante el almacenamiento. La gasolina ácida puede dañar el sistema del combustible de un motor durante el almacenamiento. Para evitar los problemas con el motor, se debe vaciar el sistema del combustible antes de guardarlo por un período de 30 días o más. Vacíe el estanque del combustible, haga arrancar el motor y hágalo funcionar hasta que las líneas del combustible y el carburador queden vacíos. La gasolina ácida puede dañar el sistema del combustible de un motor durante el almacenamiento. Para evitar los problemas con el motor, se debe vaciar el sistema del combustible antes de guardarlo por un período de 30 días o más. Vacíe el estanque del combustible, haga arrancar el motor y hágalo funcionar hasta que las líneas del combustible y el carburador queden vacíos. La próxima temporada use combustible nuevo. Veal las Instrucciones Para El Almacenamiento para más información. Nunca use productos de limpieza para el motor o para el carburador en el estanque del combustible pues se pueden producir daños permanentes.



**NOTA:** TODAS LAS PARTES SE MUESTRAN EN SU POSICIÓN TÍPICA. LA POSICIÓN REAL PUEDE CAMBIAR SEGÚN EL MOTOR DE SU UNIDAD.

FIG. 16

# OPERACIÓN

## PUESTA EN MARCHA DEL MOTOR

- Asegurarse de que la válvula de interrupción del carburante esté en posición abierta (OPEN).

El motor de su máquina quitanieves está equipado tanto con un arrancador eléctrico de 120 Voltios A.C. como con un arrancador de retroceso. El arranque eléctrico está equipado con un cable de tres enchufe de alimentación está diseñado para funcionar a 120 Voltios A.C.

- Asegúrese que la instalación eléctrica de su casa sea un sistema de tres hilos puesta a tierra de 120 Voltios A.C. Si no está seguro, consulte un electricista autorizado.

**NOTA:** Utilice un cable de extensión recomendado para el uso en exteriores que no supere 50 pies de largo (15 m).



**ADVERTENCIA:** No use el arrancador eléctrico si la instalación eléctrica de su casa no es un sistema de tres hilos puesta a tierra de 120 Voltios A.C. Podrían resultar heridas personal graves o daños a su máquina quitanieves.

## PUESTA EN MARCHA CON EL MOTOR FRÍO – ARRANCADOR ELÉCTRICO

1. Insertar la llave de encendido de seguridad (Amarrada a la cuerda de arranque retraíble) en la posición de encendido hasta que haga un ruido seco. NO girar la llave. Guardar la llave de encendido de seguridad de recambio en un lugar seguro.
2. Poner el interruptor de ON / OFF en la posición de “ON”.
3. Girar el mando del obturador en la posición FULL.
4. Pulsar el cebador tres (3) veces.

**NOTA:** Utilizar demasiado el cebador puede ahogar el motor, impidiendo el arranque. En caso de que se ahogue el motor, esperar algunos minutos antes de intentar poner en marcha y NO pulsar el cebador.

5. Conecte el cable de extensión al motor.
6. Conecte el otro extremo del cable de extensión en una tierra 120 Voltios A.C. receptáculo.
7. Pulsar el botón de arranque hasta que el motor se enciende.

**IMPORTANTE:** No hacer girar el motor por más de 5 segundos continuamente cada vez que intente poner en marcha el motor. Esperar de 5 a 10 segundos entre cada tentativa.

8. Cuando el motor se pone en marcha, soltar el botón de arranque y mover lentamente el mando del obturador hasta la posición OFF.
9. En primer lugar, desconecte el cable de extensión desde el tapón, a continuación, desde el motor.

Dejar que el motor se caliente por algunos minutos. El motor no proporcionará la plena potencia hasta que no haya alcanzado la temperatura normal de funcionamiento.

## PUESTA EN MARCHA CON EL MOTOR CALIENTE – ARRANCADOR ELÉCTRICO

Seguir los pasos descritos arriba, manteniendo el mando del obturador en la posición OFF.

## PUESTA EN MARCHA CON EL MOTOR FRÍO – ARRANCADOR DE RETROCESO

1. Insertar la llave de encendido de seguridad (embalado separado en bolso de las piezas) en la posición de encendido hasta que haga un ruido seco. NO girar la llave. Guardar la llave de encendido de seguridad de recambio en un lugar seguro.
2. Poner el interruptor de ON / OFF en la posición de “ON”.
3. Girar el mando del obturador en la posición FULL.
4. Pulsar el cebador tres (3) veces.

**NOTA:** Utilizar demasiado el cebador puede ahogar el motor, impidiendo el arranque. En caso de que se ahogue el motor, esperar algunos minutos antes de intentar poner en marcha y NO pulsar el cebador.

5. Tirar la empuñadura del arrancador de retroceso rápidamente. No soltar de golpe la cuerda del arrancador.
6. Cuando el motor arranca, soltar la empuñadura del arrancador de retroceso y mover lentamente el mando del obturador hasta la posición OFF.

Dejar que el motor se caliente por algunos minutos. El motor no proporcionará la plena potencia hasta que no haya alcanzado la temperatura normal de funcionamiento.

## PUESTA EN MARCHA CON EL MOTOR CALIENTE – ARRANCADOR DE RETROCESO

Seguir los pasos descritos arriba, manteniendo el mando del obturador en la posición OFF. NO pulsar el cebador.

## ANTES DE PARAR

Hacer funcionar el motor por algunos minutos para ayudar a secar toda humedad del motor.

## SI EL ARRANCADOR DE RETROCESO SE HA CONGELADO

Si el arrancador de retroceso se ha congelado y no pone en marcha el motor, hacer lo siguiente:

1. Coger la empuñadura del arrancador de retroceso y tirar lentamente cuanto más cuerda sea posible fuera del arrancador.
2. Soltar la empuñadura del arrancador de retroceso y dejarla ir contra el arrancador.

Si aun así el motor no arranca, repetir los pasos descritos arriba o utilizar el arrancador eléctrico.

## CONSEJOS PARA LANZAR LA NIEVE

- Ir más lentamente en nieve alta, helada o fuertemente mojada. Para regular la velocidad con respecto al suelo, utilizar el mando de velocidad de guía.
- Es más fácil y eficiente despejar la nieve inmediatamente después de que haya caído.
- El mejor momento para despejar la nieve es temprano por la mañana. En este momento la nieve está normalmente seca y no ha sido expuesta directamente al sol y a temperaturas calientes.
- Hacer coincidir cada camino sucesivo para asegurar el despeje de toda la nieve.
- Lanzar la nieve sotavento siempre que sea posible.
- Regular las placas de deslizamiento a la altura adecuada a las actuales condiciones de la nieve. Ver “PARA REGULAR LAS PLACAS DE DESLIZAMIENTO” en esta sección del manual.
- Para nieve considerablemente pesada, reducir la anchura del despeje de nieve sobreponiendo los caminos previos y andando lentamente.
- Mantener el motor limpio y libre de nieve durante el uso. Esto ayudará a hacer pasar aire y prolongará la vida del motor.
- Después de completar el trabajo de despejar nieve, dejar que el motor gire por algunos minutos para derretir nieve y hielo que puedan estar en el motor.
- Limpiar a fondo toda la máquina quitanieves después de cada uso y secarla para que esté lista para el próximo uso.



**ADVERTENCIA:** No hacer funcionar la máquina quitanieves si las condiciones del tiempo deterioran la visibilidad. Despejar nieve durante una fuerte y ventosa tormenta de nieve puede ofuscarles y ser peligroso para un funcionamiento seguro de la máquina quitanieves.

# MANTENIMIENTO

PROGRAMA DE MANTENIMIENTO		FECHAS DE SERVICIO					
		ANTES DE CADA USO	DESPUES DE CADA USO	CADA 25 HORAS O CADA TEMPORADA	CADA 50 HORAS	CADA 100 HORAS	ANTES DEL ALMACENAMIENTO
LLENE LAS FECHAS A MEDIDA QUE COMPLETE SU SERVICIO REGULAR							
<b>MÁQUINA</b>	Revisar si hay Sujetadores Suelos	✓					✓
	Limpiar / Inspeccionar el máquina quitanieves		✓				✓
	Cambiar / Revisar las Correas				✓		
	Lubricación			✓			✓
<b>MOTOR</b>	Revisar el nivel del Aceite	✓					
	Cambiar el Aceite del motor			✓			
	Inspeccionar el Silenciador				✓		
	Cambiar / Revisar la Bujía					✓	
	Vaciar el Depósito del Combustible						✓

## RECOMENDACIONES GENERALES

La garantía de esta maquina quitanieves no cubre los artículos que han estado sujetos al abuso o a la negligencia del operador. Para recibir todo el valor de la garantía, el operador tiene que mantener la maquina quitanieves según las instrucciones descritas en este manual.

Hay algunos ajustes que se tienen que hacer en forma periódica para poder mantener su maquina quitanieves adecuadamente.

Al menos una vez cada estación comprobar si es necesario efectuar los ajustes descritos en las secciones de Servicio y Ajustes de este manual.

- Una vez al año, cambie la bujía, limpie o cambie el elemento del filtro de aire y revise si la cuchilla está desgastada. Una bujía nueva y un elemento del filtro de aire limpio/nuevo aseguran la mezcla de aire-combustible adecuada y ayudan a que su motor funcione mejor y que dure más.
- Siga el programa de mantenimiento en este manual.

**NOTA:** Usar solo parte originales del equipo del fabricante (OEM) para realizar el mantenimiento de esta unidad. No hacer esto puede causar el funcionamiento incorrecto de la unidad y arriesgar la salud del operador.

## ANTES DE CADA USO

1. Revise el nivel del aceite del motor.
2. Revise si hay sujetadores sueltos.
3. Controlar los mando para asegurarse de que funcionen adecuadamente.

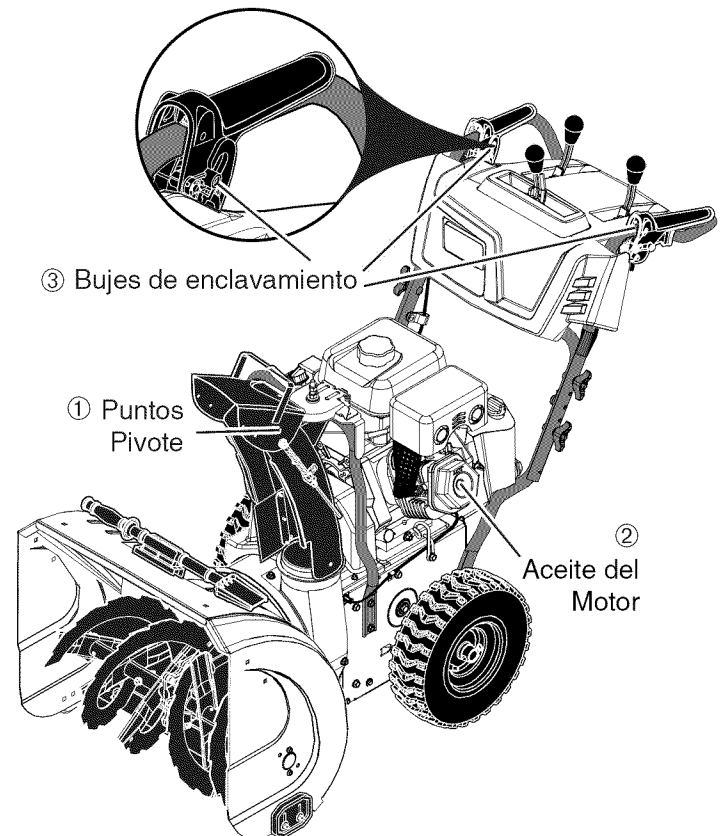
## LUBRICACIÓN

Mantenga el maquina quitanieves bien lubricada (ver la "TABLA DE LUBRICACIÓN").

Al principio de cada estación, o cada 25 horas de uso, aplique una pequeña cantidad de grasa de litio blanca a los bujes de enclavamiento.

## TABLA DE LUBRICACIÓN

- ① SAE 5W-30 Aceite del Motor
- ② Vea "MOTOR" en la sección de Mantenimiento
- ③ Grasa de litio blanca



# MANTENIMIENTO

## MAQUINA QUITANIEVES

Siempre observe las reglas de seguridad cuando haga el mantenimiento.

### LLANTAS

- Mantener la presión adecuada en ambos neumáticos (14–17 PSI).
- Mantenga las llantas sin gasolina o aceite, que pueden dañar la goma.

**NOTA:** Para sellar los neumáticos y prevenir neumáticos desinflados a causa de pérdidas ligeras, se puede comprar sellador al efecto en el revendedor de partes local. El sellador para neumáticos también previene grietas y corrosión del neumático.

### CORREAS

Controlar el deterioro y el desgaste de las correas en V después de 50 horas de funcionamiento y sustituir si fuera necesario. Las correas no se pueden regular. Sustituir las correas si empiezan a resbalar debido al desgaste. (Ver "QUITAREL CUBRE CORREAS" en la sección Mantenimiento y Regulaciones de este manual).

Las correas en V de su quitanieve tienen una construcción especial y han de ser sustituidos con correas originales (OEM) disponibles en su revendedor más cercano. Usar otras correas no originales puede causar heridas personales o dañar el quitanieve.

### CAJA DE ENGRANAJES DE LA BARRENA

- La caja de engranajes fue llenada en la fábrica con lubricante hasta el nivel. Se tiene que prestar atención al lubricante sólo si se ha efectuado un mantenimiento a la caja de engranajes.
- Si se requiere lubricante, usar sólo grasa Ronex ED #1.

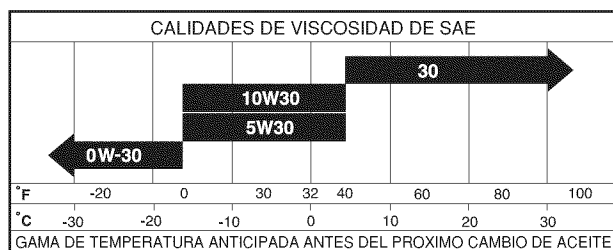
### SISTEMA DE TRACCIÓN

NO lubricar las partes de guía dentro de la máquina quitanieves. Las coronas dentadas, los árboles hexagonales, el disco de guía y la corona de fricción no necesitan lubricación. Los rodamientos y cojinetes están lubricados a por vida y no necesitan mantenimiento.

**ATENCIÓN:** Toda lubricación de las partes descritas arriba puede causar contaminación de la rueda de fricción y dañar el sistema de guía de su máquina quitanieves.

## MOTOR LUBRICACIÓN

Use solamente aceite de detergente de alta calidad clasificado con la clasificación SG–SL de servicio API. Seleccione la calidad de viscosidad SAE según su temperatura de operación esperada.



**AVISO:** A pesar de que los aceites de multiviscosidad (5W30, 10W30, etc.) mejoran el arranque en clima frío, estos aceites de multiviscosidad van a aumentar el consumo de aceite cuando se usan en temperaturas sobre 32° F. Revise el nivel del aceite del motor más a menudo, para evitar un posible daño en el motor, debido a que no tiene suficiente aceite.

Cambie el aceite después de 25 horas de operación o por lo menos una vez al año si la máquina quitanieves se utiliza menos de 25 horas el año.

Revise el nivel del aceite del cárter antes de arrancar el motor y después de cada cinco (5) horas de uso continuado. Apriete el tapón del aceite en forma segura cada vez que revise el nivel del aceite.

## PARA CAMBIAR EL ACEITE DEL MOTOR

Determinar la temperatura anticipada antes de cambiar el aceite. Todo el aceite ha de cumplir con la clasificación SG–SL de mantenimiento API.

- Asegúrese que la máquina quitanieves esté en una superficie nivelada.
- El aceite se drenará más fácilmente si está caliente.
- Recoja el aceite en un envase adecuado.

**NOTA:** Puede retirar una rueda del quitanieves para acceder con mayor facilidad al tapón de drenaje de aceite y colocar un recipiente adecuado.

1. Quitar la llave de encendido de seguridad y desconecte el alambre de la bujía y póngalo de modo que no pueda entrar en contacto con ésta.
2. Limpiar el área alrededor del tapón de drenaje.
3. Remueva el tapón de drenaje del depósito de aceite y drenaje el aceite en un envase adecuado.
4. Vuelva a poner el tapón de drenaje del depósito de aceite en su lugar y apriételo en forma segura.
5. Limpie todo el aceite derramado en la máquina quitanieves y en el lado del motor.
6. Monte la rueda izquierda (si la extrajo para drenar aceite). Cerciórese de instalar el pasador de rueda y el de retención en el orificio correcto del eje de rueda (consulte "EXTRACCIÓN DE LAS RUEDAS" en la sección sobre mantenimiento y ajustes de este manual).
7. Sacar el tapón / varilla de nivel del depósito de aceite. Atención a no dejar entrar suciedad en el motor.
8. Llenar de aceite el motor a través del tubo de la varilla de nivel del aceite. Verter lentamente. No llenar demasiado. Para la capacidad aproximada ver la sección "ESPECIFICACIONES DEL PRODUCTO" de este manual.
9. Usar el indicador del tapón / varilla de nivel del depósito de aceite para controlar el nivel. Asegurarse de que el tapón de la varilla de nivel esta bien cerrado para una lectura precisa del nivel. Mantener el nivel de aceite sobre la línea "FULL" (lleno) de la varilla de nivel.
10. Limpie todo el aceite derramado.

## SILENCIADOR

Inspeccione y cambie el silenciador si está corroído puede producir un peligro de incendio y/o daño.

## BUJÍA

Cambie el bujía al comienzo de cada temporada de siega o después de cada 100 horas de operación, lo que suceda primero. El tipo de bujía y el ajuste de la abertura aparecen en "ESPECIFICACIONES DEL PRODUCTO" en la sección de Mantenimiento de este manual.

## LIMPIEZA

**IMPORTANTE:** Para obtener el mejor rendimiento, mantenga la caja de la máquina quitanieves sin acumulación de suciedad y basura. Limpin la parte de abajo de su máquina quitanieves después de cada uso.



**ADVERTENCIA:** Quitar la llave de encendido de seguridad y desconecte el alambre de la bujía. Póngalo en donde no pueda entrar en contacto con ésta.

- Mantenga las superficies pulidas y las ruedas sin gasolina, aceite, etc.
- No recomendamos el uso de una manguera de jardín para limpiar la máquina quitanieves a menos que el sistema eléctrico, el silenciador y el carburador estén tapados para evitar que les entre el agua. El agua en el motor puede acortar la duración de éste.

# SERVICIO Y AJUSTES

**ADVERTENCIA:** Para evitar lesiones serias, antes de dar cualquier servicio o de hacer ajustes:



1. Asegurarse el interruptor de ON/OFF esté en posición OFF.
2. Quitar la llave de encendido de seguridad.
3. Asegúrese que la barrenas y que todas las partes móviles se hayan detenido completamente.
4. Desconecte el alambre de la bujía y póngalo en donde no pueda entrar en contacto con ésta.

## MÁQUINA QUITANIEVES

### PARA AJUSTAR LA ALTURA DE MÁQUINA QUITANIEVES

Ver "REGULAR LAS PLACAS DE DESLIZAMIENTO" y "BARRA DE ARRASTRE" en la sección de Operación de este manual.

### CONDUCTO DEFLECTOR

El conducto deflector, fijado a la parte superior del conducto de eyección, tiene la función de dirigir la nieve de descarga lejos del operador. Si se daña el desviador debe cambiarse.



**ADVERTENCIA:** Para evitar heridas graves, no haga funcionar nunca su máquina quitanieves sin deflector o con el deflector averiado.

- Para cambiar la dirección y / o la distancia a la que se descarga la nieve, ver "PARA CONTROLAR LA EYECCIÓN DE LA NIEVE" en la sección de Funcionamiento de este manual.

### PERNOS DE SEGURIDAD (Ver Fig. 17)

#### PERNOS DE SEGURIDAD DE LA BARRENA

Ambas barrenas, derecha e izquierda, están sujetadas al eje de la barrena por un perno de tope/seguridad y una tuerca hexagonal. Si un objeto extraño o hielo se metieran en las barrenas, los pernos de seguridad están proyectados para romperse, evitando daños a cualquier otra parte. Si una o ambas barrenas no giran cuando se conecta la palanca del mando de la barrena, controlar si uno o ambos pernos se han cortado. Para sustituir los pernos de seguridad:

1. Desconectar todos los mandos y mover el mando del acelerador en la posición de STOP (parado). Atender que todas las partes en movimiento se paren.
2. Quitar la llave de encendido de seguridad y desconecte el alambre de la bujía. Póngalo en donde no pueda entrar en contacto con ésta.
3. Alinear el orificio del cubo de la barrena con el orificio del eje e instalar un nuevo perno de tope/seguridad de 1/4-20 x 2". Colocar una contratuerca de 1/4-20 y apretar firmemente.

**ATENCIÓN:** No sustituir. Usar solamente los pernos de seguridad originales entregados con la máquina quitanieves.

4. Insertar la llave de encendido de seguridad y vuelva a conectar el alambre de la bujía a ésta.

#### PERNOS DE SEGURIDAD DEL IMPULSOR

El impulsor está fijado al eje con dos (2) pernos de seguridad y tuercas hexagonales. Si penetra hielo o un objeto extraño en el impulsor, los pernos de seguridad están diseñados para romperse, lo que evita daños a cualquier otro componente. Si el impulsor no gira cuando se acciona la palanca de control de la barrena, observe si los pernos de seguridad están partidos.

Para reemplazar los pernos de seguridad:

1. Desconectar todos los mandos y mover el mando del acelerador en la posición de STOP (parado). Esperar que todas las partes en movimiento se paren.
2. Quitar la llave de encendido de seguridad y desconecte el alambre de la bujía. Póngalo en donde no pueda entrar en contacto con ésta.
3. Alinee los orificios del buje del impulsor con los orificios del eje e instale dos (2) tornillos de seguridad nuevos de 2 pulg. Instale las contratuercas 1/4-20 y apriételas con firmeza.

**ATENCIÓN:** No sustituir. Usar solamente los tornillos de caperuza / pernos de seguridad originales entregados con la máquina quitanieves.

4. Insertar la llave de encendido de seguridad y vuelva a conectar el alambre de la bujía a ésta.

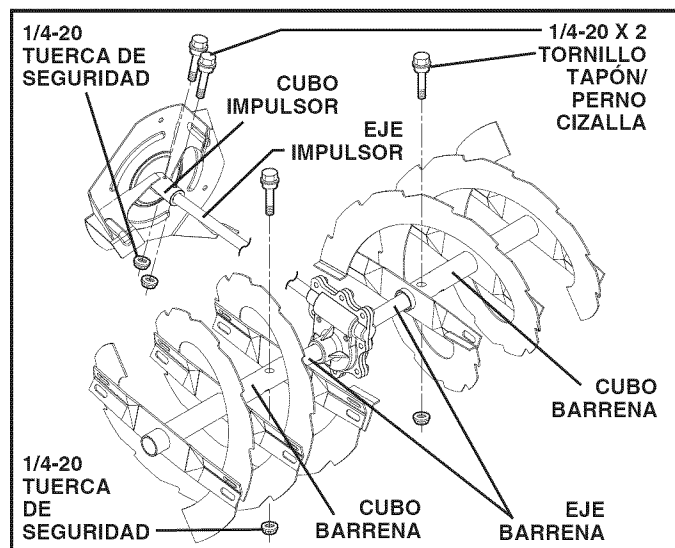


FIG. 17

### DESMONTAR EL CUBRE CORREAS (Ver Fig. 18)

1. Desmontar los dos (2) tornillos que sujetan el cubre correas a la carcasa.
  2. Desmontar el cubre correas.
- Sustituir el cubre correas colocando la cubierta y los tornillos y apretando firmemente.

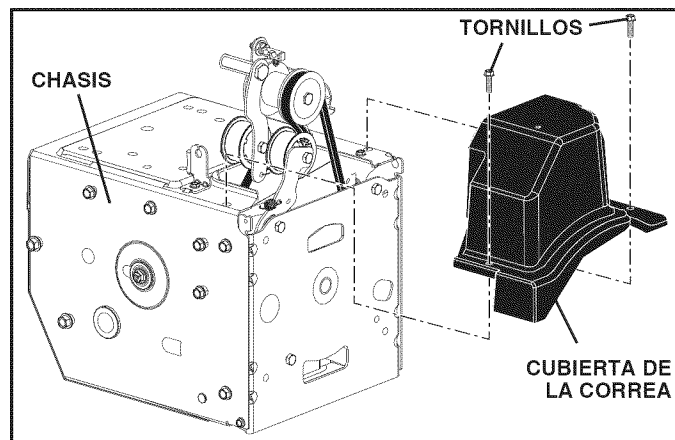


FIG. 18

# SERVICIO Y AJUSTES

## SUSTITUIR LAS CORREAS

Las correas de la barrena y de la tracción no se pueden regular. Si las correas están dañadas o empiezan a resbalar por el desgaste, se tendrían que sustituir. Se recomienda que la(s) correa(s) sean sustituidas por el Centro de Piezas y Reparación.

**NOTA:** Se recomienda que se sustituyan al mismo tiempo las correas de la barrena y de la tracción.

Las correas en V de su quitanieve tienen una construcción especial y han de ser sustituidos con correas originales (OEM) disponibles en su Centro de Piezas y Reparación más cercano. Usar otras correas no originales puede causar heridas personales o dañar el quitanieve.



**ADVERTENCIA:** Para sustituir las correas, es necesario desmontar la máquina quitanieves. Mientras se desmonta el alojamiento de la barrena de la carcasa, es importante que un ayudante se sitúe en la posición de operación y agarre. Heridas personales graves y/o averías a la unidad podrían ocasionarse si la máquina quitanieves cayera durante el cambio de las correas.

## ANTES DE REEMPLAZAR LAS CORREAS

1. VACIAR LA GASOLINA DEL DEPÓSITO DE CARBURANTE – Vaciar la gasolina del depósito del carburante en un contenedor apropiado, al exterior, lejos de fuego o llamas. Limpiar toda gasolina derramada.
2. DESMONTAR EL CONDUCTO DE EYECCIÓN – Aflojar la contratuerca que asegura la cabeza giratoria del conducto al soporte de montaje lo suficiente para poder levantar la cabeza giratoria del conducto y desmontar el conducto de eyección de la máquina quitanieves. Vea Fig. 19.

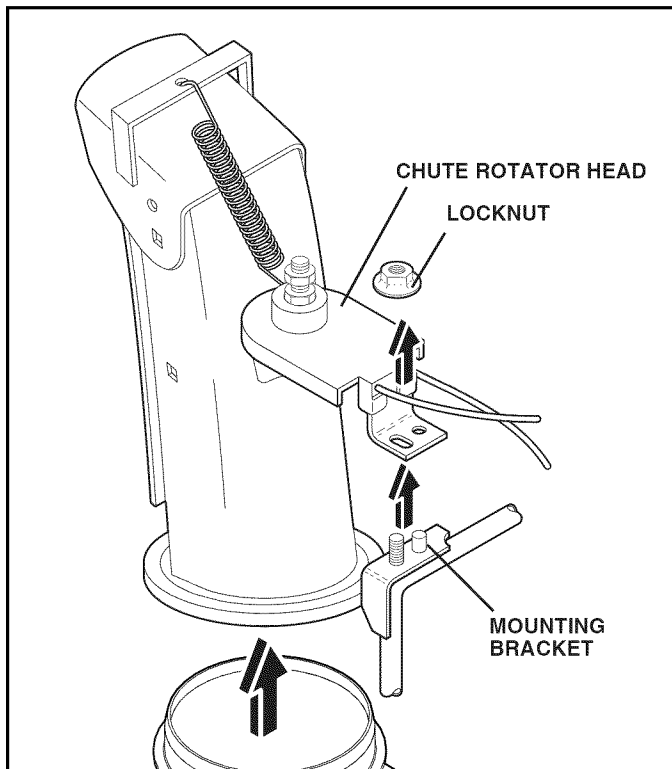


FIG. 19

3. DESMONTAR EL CUBRE CORREAS – Ver “DESMONTAR EL CUBRE CORREAS” en esta sección del manual.

## REEMPLAZO DE LA CORREA DE LA BARRENA (Ver Fig. 20)

### EXTRACCIÓN DE LA CORREA DE LA BARRENA

1. Retire los pernos superiores de 5/16 pulg. y los pernos inferiores de 1/4 pulg. de ambos lados del bastidor. No deseche los pernos.
2. Afloje SIN RETIRAR los pernos inferiores de 5/16 pulg. de ambos lados del bastidor.
3. Extraiga la correa de la barrena de la polea del motor.
4. Incline la sección trasera hacia abajo. La sección delantera se inclinará hacia delante al mismo tiempo, ya que el perno inferior actúa como bisagra entre ambas secciones. Coloque un bloque debajo del punto de bisagra para sujetar el quitanieves en posición inclinada, como se muestra.
5. Mueva el brazo tensor de la correa de la barrena y extraiga la correa del brazo.

### INSTALACIÓN DE LA CORREA DE LA BARRENA

1. Mueva el brazo tensor y coloque la correa alrededor y dentro de la ranura de la polea de la barrena.

**NOTA:** Mueva el brazo tensor y coloque la correa alrededor y dentro de la ranura de la polea de la barrena .

2. Retire el bloque que colocó debajo del quitanieves. Eleve los manillares para inclinar la sección trasera. La sección delantera se elevará y girará uniéndose a la sección trasera.
3. Compruebe que la correa esté bien colocada en la ranura de la polea de la barrena.
4. Instale los pernos de 5/16 pulg. que aflojó y retiró antes y apriételes con firmeza. (8-12 pies - libras / 11-16 Nm).  
Instale los pernos de 1/4 pulg. que retiró antes y apriételes con firmeza. (4-6 pies - libras / 5-8 Nm).
5. Instale la correa de la barrena en la polea del motor. Asegúrese de que la correa esté bien colocada alrededor de la polea loca y encajada en la ranura de la polea del motor.
6. Accione todos los controles para comprobar que las correas estén bien instaladas y que todos los componentes se mueven correctamente.

Continúe con las instrucciones de “DESPUÉS DE REEMPLAZAR LAS CORREAS”.

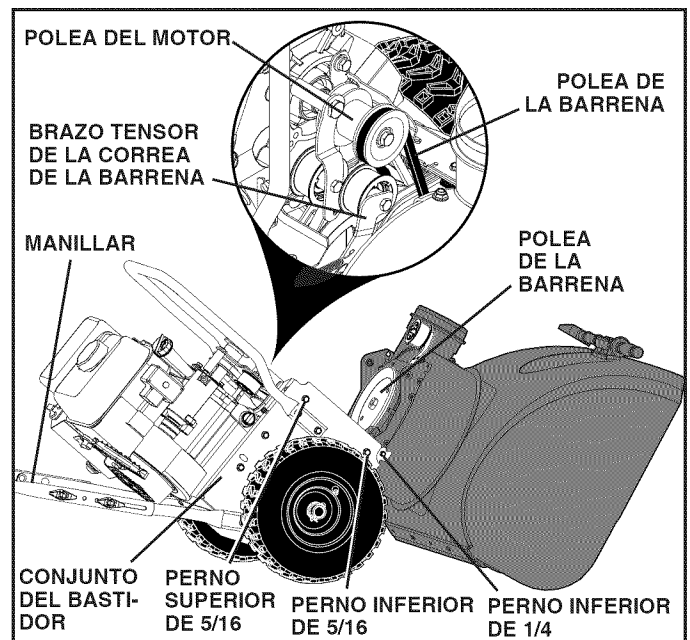


FIG. 20



# SERVICIO Y AJUSTES

## REEMPLAZO DE LA CORREA DE TRANSMISIÓN

(Ver Fig. 21)

### EXTRACCIÓN DE LA CORREA DE TRANSMISIÓN

1. Retire la correa de la barrena. Consulte "EXTRACCIÓN DE LA CORREA DE LA BARRENA" en esta sección.
2. Retire el muelle tensor fijado al brazo tensor de la correa de transmisión.
3. Retire el muelle de retorno sujetando la placa móvil en su posición.
4. Retire el perno del brazo y el brazo tensor de la correa de transmisión.
5. Retire del motor el perno y la arandela de la polea, la polea del motor, y la correa de transmisión.
6. Extraiga el perno superior que fija la placa móvil al conjunto del bastidor.
7. Gire y sostenga la placa móvil alejada del quitanieves, y retire la correa de transmisión de la polea impulsora.

### INSTALACIÓN DE LA CORREA DE TRANSMISIÓN

1. Gire y sostenga la placa móvil alejada del quitanieves. Coloque la correa de transmisión sobre la polea impulsora. Asegúrese de que la correa de transmisión esté bien colocada en la ranura de la polea impulsora antes de bajar la placa móvil.
2. Instale el perno superior que retiró antes. Apriete con fuerza.
3. Coloque la correa de transmisión en la ranura de la polea del motor antes de su instalación en el eje del motor.
4. Instale la arandela y el perno que retiró antes y fije la polea al motor. Apriete con fuerza (30-35 pies - libras / 41-47 Nm).
5. Instale el brazo tensor de la correa de transmisión y el perno del brazo en el motor. Apriete con fuerza.
6. Instale el muelle de retorno en la placa móvil.
7. Instale el muelle tensor en el brazo tensor.
8. Accione todos los controles para comprobar que las correas estén bien instaladas y que todos los componentes se mueven correctamente.
9. Instale la correa de la barrena. Consulte "INSTALACIÓN DE LA CORREA DE LA BARRENA" en esta sección.

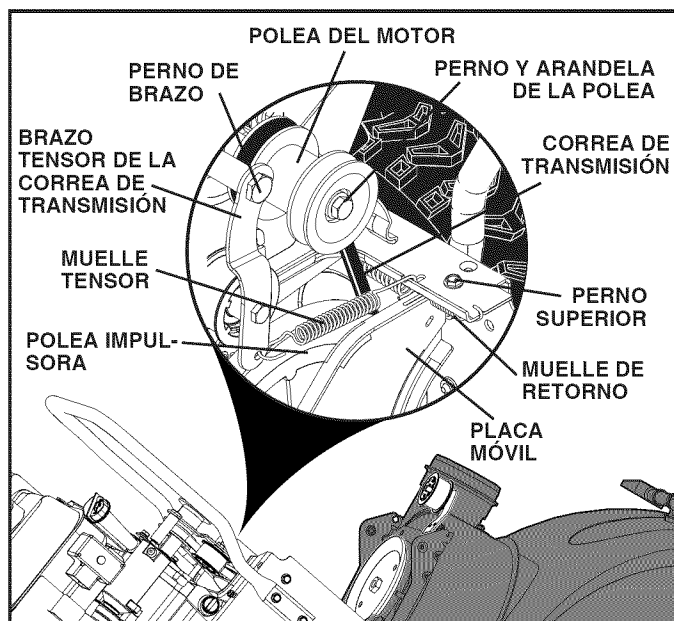


FIG. 21

## DESPUÉS DE REEMPLAZAR LAS CORREAS

1. COLOCAR EL CUBRE CORREAS y dos (2) tornillos. Apretar firmemente.
2. MONTAR EL CONDUCTO DE EYECCIÓN – Ver "MONTAR el conducto de eyección / CABEZA giratoria DEL CONDUCTO" en la sección de Montaje de este manual.

## DESMONTAR LAS RUEDAS (Ver Fig. 22)

- Extraiga el pasador de rueda y el pasador de retención y retire la rueda del eje.

**NOTA:** Para arreglar pinchazos a los neumáticos y prevenir neumáticos desinflados a causa de pérdidas lentas, se puede comprar al representante de partes de recambio local un compuesto sellador para neumáticos. El compuesto sellador también previene que los neumáticos se sequen o corrompan.

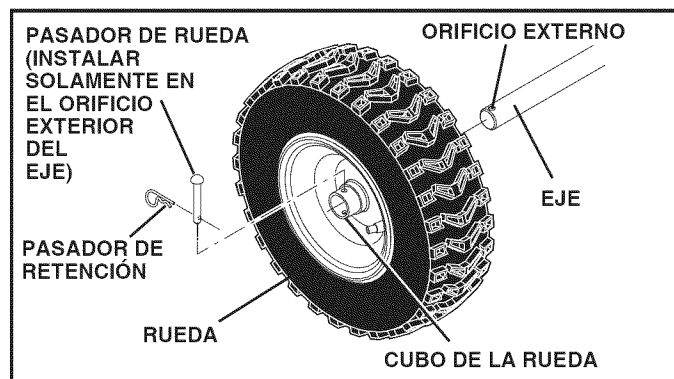


FIG. 22

## MOTOR CARBURADOR

Su carburador no es ajustable. Las prestaciones del motor no son afectadas por la altitud hasta 7000 pies (2,134 metros). Si su motor no está funcionando en forma adecuada debido a problemas que se sospecha vienen del carburador, lleve su máquina quitanieves a contacto con su Centro de Piezas y Reparación para repararla y/o ajustarla.

## ACELERACIÓN DE MOTOR

Nunca manipule el regulador del motor, el que ha sido ajustado en la fábrica para la velocidad del motor adecuada. Puede ser peligroso hacer funcionar el motor a una velocidad por sobre el ajuste de alta velocidad de la fábrica. Si cree que la velocidad alta regulada del motor necesita ajuste, contacto con su Centro de Piezas y Reparación, el que cuenta con el equipo adecuado y la experiencia para hacer los ajustes necesarios.

# SERVICIO Y AJUSTES

## PARA AJUSTAR LA TENSIÓN DEL CABLE DE ENGRANAJE DE LA TRANSMISIÓN (Ver Fig. 23)

Después de muchas horas de uso, si la primera marcha parece patinar o parece demasiado lenta, puede que se necesite hacer ajustes a la tensión del cable de engranaje de la transmisión para acortar el tramo.

Para ajustar el cable de acople de la transmisión:

1. Para ajustar la tensión del cable, afloje la tuerca de seguridad junto a la hebilla de giro.
2. Tome la sección corta y sosténgala mientras gira la sección larga para alargar el ajustador.
3. Gire la sección larga dos vueltas y apriete la tuerca de seguridad.
4. Pruebe la velocidad de transmisión de la primera marcha.

Si la primera marcha parece ser demasiado lenta o patina, repita este procedimiento.

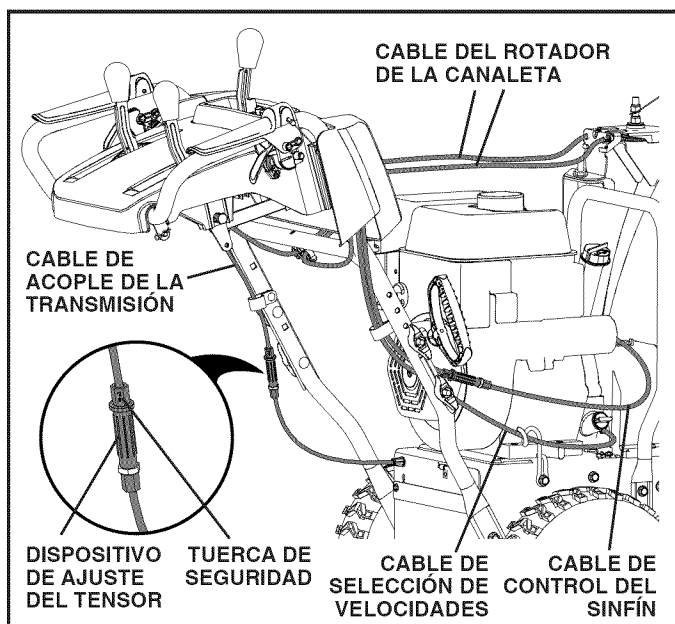


FIG. 23

## RENDIMIENTO DEL BARRENO Y AJUSTE DEL CABLE (Ver Fig. 23)

**NOTA:** Si no se siente cómodo haciendo este ajuste, póngase en contacto con un centro o departamento de servicio autorizado.

Puede que se requieran ajustes si la rotación del propulsor y del barreno es lenta cuando se conecta la palanca de control del barreno o si la correa del barreno se ha reemplazado.

Para ajustar el cable de control del barreno:

1. Ajuste la tensión del cable aflojando la tuerca de inmovilización, al lado del tornillo tensor.
2. Sujete la sección corta, al mismo tiempo que gira la sección larga para extender el ajustador. Gire el cañón central una vuelta completa.
3. Vuelva a probar la conexión del barreno. Repita el ajuste si es necesario hasta que ya no esté lento.
4. Tenga un asistente parado a 10 pies al frente de la máquina y al lado opuesto de donde apunta el conducto. El ayudante debe observar la rotación del barreno y medir el tiempo que tarda el barreno en dejar de girar después de soltar la palanca.

Si el barreno deja de girar después de 5 segundos, reajuste el cable girando el cañón central una vuelta completa, de modo que el ajustador se contraiga. Vuelva a probar la conexión del barreno y a medir el tiempo de detención.

Si el barreno deja de girar en menos de 5 segundos, continúe con el siguiente paso.

5. Apriete la tuerca de inmovilización en el cable del barreno.

**NOTA:** Si el ajuste no resuelve el problema, cambie la correa del barreno. Consulte la sección "Sustituir las correas" en la sección de Servicios y Ajustes en este manual.

# ALMACENAMIENTO

Inmediatamente prepare su máquina quitanieves para el almacenamiento al final de cada temporada o si la unidad no se va a usar por 30 días o más.



**PRECAUCIÓN: Nunca almacene la máquina quitanieves con gasolina en el depósito dentro de un edificio en donde los gases pueden alcanzar una llama expuesta o una chispa, una chispa o una luz piloto como en un horno, calentadores de agua, secadoras de ropa o aparatos de gas. Permita que se enfíe el motor antes de almacenarla en algún recinto cerrado.**

## MÁQUINA QUITANIEVES

Cuando se va a guardar la máquina quitanieves por cierto período de tiempo, límpiela cuidadosamente, remueva toda la mugre, la grasa, las hojas, etc. Guárdela en un área limpia y seca.

1. Limpie toda la máquina quitanieves (Vea "LIMPIEZA" en la sección de Mantenimiento de este manual).
2. Inspeccionar y sustituir las correas, si es necesario (Ver "SUSTITUIR LAS CORREAS" en la sección de Mantenimiento y Regulaciones de este manual).
3. Lubríquela según se muestra en la sección de Mantenimiento de este manual.
4. Asegúrese de que todas las tuercas y clavijas y todos los pernos y tornillos estén apretados en forma segura. Inspeccione las partes que se mueven para verificar si están dañadas, quebradas o desgastadas. Cámbielas si es necesario.
5. Retoque todas las superficies que estén oxidadas o con la pintura picada; use una lija antes de pintar.

## MOTOR

### SISTEMA DE COMBUSTIBLE

**IMPORTANTE:** Es importante evitar que se formen depósitos de goma en partes fundamentales del sistema de combustible tales como el carburador, el filtro del combustible, la manguera del combustible o en el estanque durante el almacenamiento. Los combustibles mezclados con alcohol (conocido como gasohol o que tienen etanol o metanol) pueden atraer humedad, lo que conduce a la separación y a la formación de ácidos durante el almacenamiento. La gasolina ácida puede dañar el sistema de combustible de un motor durante el período de almacenamiento.

- Vaciar el depósito del carburante poniendo en marcha el motor y dejándolo funcionar hasta que el carburante termine y el carburador esté vacío.
- Nunca use los productos para limpieza del carburador o del motor en el estanque de combustible pues se pueden producir daños permanentes.
- Use combustible nuevo la próxima temporada.

**AVISO:** El estabilizador de combustible es una alternativa aceptable para reducir a un mínimo la formación de depósitos de goma en el combustible durante el período de almacenamiento. Agregue estabilizador a la gasolina en el estanque de combustible o en el envase para el almacenamiento. Siempre siga la proporción de mezcla que se encuentra en el envase del estabilizador. Haga funcionar el motor por lo menos 10 minutos después de agregar el estabilizador, para permitir que este llegue al carburador. No drene la gasolina del estanque de gasolina y el carburador si se está usando estabilizador de combustible.

## ACEITE DEL MOTOR

Drene el aceite (con el motor caliente) y cámbielo con aceite de motor limpio. (Vea "MOTOR" en la sección de Mantenimiento de este manual.)

## CILINDRO

1. Remueva la bujía.
2. Vacíe 29 ml (una onza) de aceite a través del agujero de la bujía en el cilindro.
3. Tire la manilla de arranque retroceso lentamente unas cuantas veces para distribuir el aceite.
4. Cambie por una bujía nueva.

## OTROS

- Quitar la llave de encendido de seguridad; guardar en un lugar seguro.
- No guarde la gasolina de una temporada a la otra.
- Cambie el envase de la gasolina si se empieza a oxidar. La oxidación y/o la mugre en su gasolina producirán problemas.
- Si es posible, guarde su máquina quitanieves en un recinto cerrado y cúbrala para protegerla contra el polvo y la mugre.
- Cubra su máquina quitanieves con un forro protector adecuado que no retenga la humedad. No use plástico. El plástico no puede respirar, lo que permite la formación de condensación, lo que producirá la oxidación de su máquina quitanieves.

**IMPORTANTE:** Nunca cubra la máquina quitanieves mientras el motor y las áreas de escape todavía están calientes.

# IDENTIFICACIÓN DE PROBLEMAS

Ve a la sección apropiada en el manual amenos que esté dirigido a un centro de asistencia calificado.

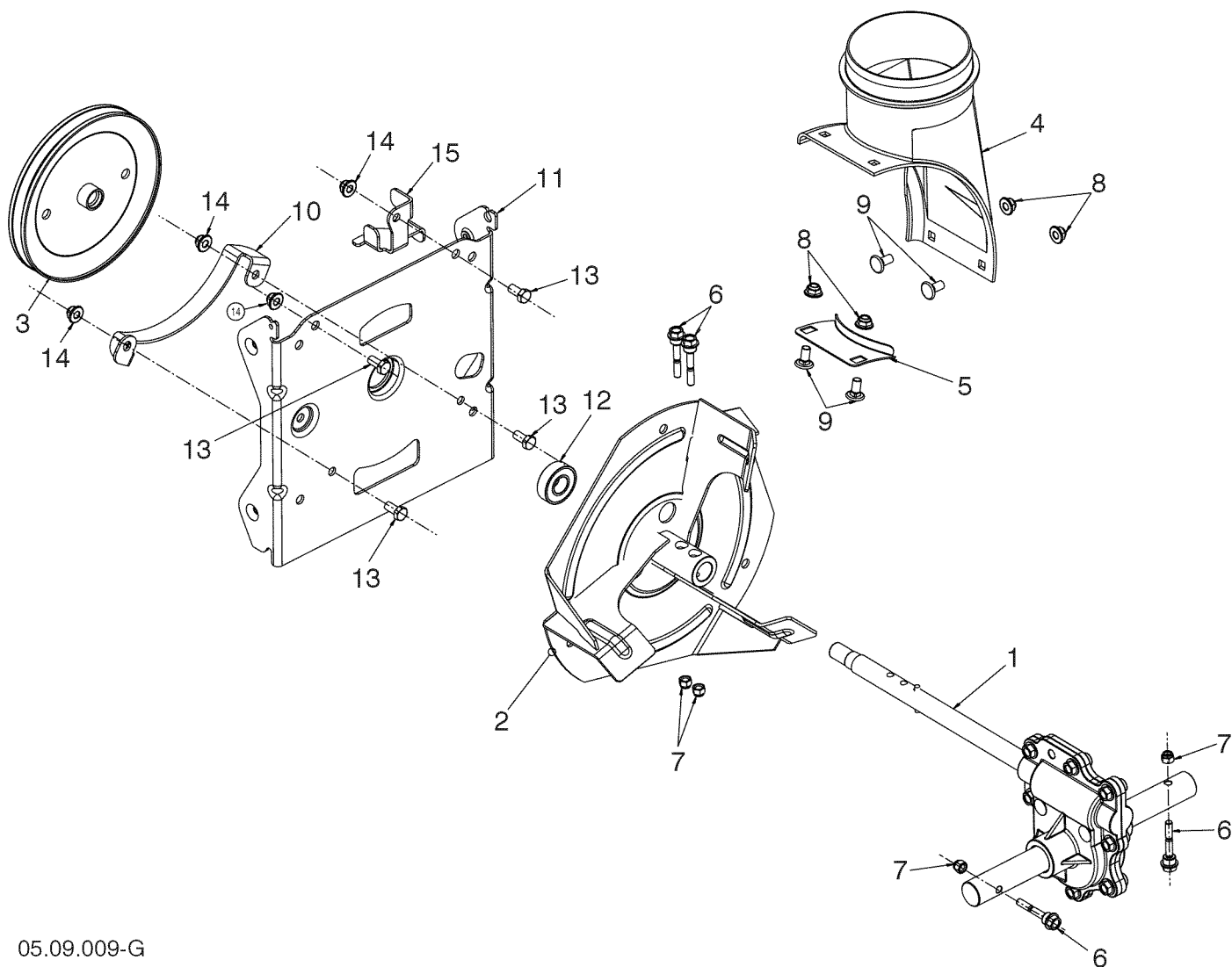
PROBLEMA	CAUSA	CORRECCIÓN
<b>No arranca</b>	<ol style="list-style-type: none"> <li>1. Válvula del combustible está OFF (if so equipped).</li> <li>2. La llave de encendido de seguridad no está puesta.</li> <li>3. Sin combustible.</li> <li>4. Acelerador en posición de STOP (interruptor de ON / OFF está OFF).</li> <li>5. Obturador en posición OFF.</li> <li>6. El cebador no está presionado.</li> <li>7. El motor está ahogado.</li> <li>8. Alambre de la bujía desconectado.</li> <li>9. Bujía mala.</li> <li>10. Combustible rancio.</li> <li>11. Agua en el combustible.</li> </ol>	<ol style="list-style-type: none"> <li>1. Gire a la válvula del combustible a la posición ON.</li> <li>2. Poner la llave de encendido de seguridad.</li> <li>3. Llène el estanque de combustible.</li> <li>4. Meter el acelerador en posición FAST (o meter el interruptor de ON / OFF en posición ON).</li> <li>5. Poner en posición FULL.</li> <li>6. Usar el cebador como descrito en la sección de Funcionamiento de este manual.</li> <li>7. Esperar algunos minutos antes de volver a arrancar,.</li> <li>8. Conecte el alambre a la bujía.</li> <li>9. Cambie la bujía.</li> <li>10. Drene el estanque de combustible y vuelva a llenar el estanque con gasolina nueva.</li> <li>11. Drene el estanque de combustible y vuelva a llenar el estanque con gasolina nueva.</li> </ol>
<b>Falta de fuerza</b>	<ol style="list-style-type: none"> <li>1. Bujía de encendido suelta.</li> <li>2. Lanzamiento excesivo de nieve.</li> <li>3. El tapón del depósito del carburante está obstruido de hielo y nieve.</li> <li>4. Silenciador sucio u obstruido.</li> </ol>	<ol style="list-style-type: none"> <li>1. Volver a conectar la bujía de encendido.</li> <li>2. Reducir la velocidad y la anchura de barrido.</li> <li>3. Quitar hielo y nieve en y del tapón del depósito de carburante.</li> <li>4. Limpiar o sustituir el silenciador.</li> </ol>
<b>El motor marcha lentamente o de manera irregular</b>	<ol style="list-style-type: none"> <li>1. El obturador está en la posición FULL.</li> <li>2. Obstrucción en el conducto de carburante.</li> <li>3. Combustible rancio.</li> <li>4. Agua en el combustible.</li> <li>5. Se necesita regular o revisar el carburador.</li> </ol>	<ol style="list-style-type: none"> <li>1. Meter el obturador en la posición OFF.</li> <li>2. Limpiar el conducto de carburante.</li> <li>3. Drene el estanque de combustible y vuelva a llenar el estanque con gasolina nueva.</li> <li>4. Drene el estanque de combustible y vuelva a llenar el estanque con gasolina nueva.</li> <li>5. Contactar un centro de asistencia calificado.</li> </ol>
<b>Vibración excesiva</b>	<ol style="list-style-type: none"> <li>1. Partes sueltas o barrenas o impulsor dañados.</li> </ol>	<ol style="list-style-type: none"> <li>1. Apretar todos los cerrojos. Sustituir las partes averiadas. Si la vibración persiste, contactar un centro de asistencia calificado.</li> </ol>
<b>Cordón arrancador difícil de tirar</b>	<ol style="list-style-type: none"> <li>1. Arrancador de retroceso congelado.</li> </ol>	<ol style="list-style-type: none"> <li>1. Vea "SI EL ARRANCADOR DE RETROCESO SE HA CONGELADO" en la sección de Funcionamiento de este manual.</li> </ol>
<b>Pérdida de impulsión o retardase de la velocidad</b>	<ol style="list-style-type: none"> <li>1. Desgaste de la correa.</li> <li>2. La correa de mando.</li> <li>3. La correa de guía se ha gastado.</li> </ol>	<ol style="list-style-type: none"> <li>1. Revise/cambie la correa de impulsión.</li> <li>2. Revise/vuelva a instalar la correa de impulsión está fuera de la polea.</li> <li>3. Contactar un centro de asistencia calificado.</li> </ol>
<b>Pérdida de eyección de nieve o aflojamiento de la eyección de nieve</b>	<ol style="list-style-type: none"> <li>1. La correa de las barrenas está fuera de la polea.</li> <li>2. La correa de las barrenas está desgastada.</li> <li>3. Conducto de eyección obturado.</li> <li>4. Barrenas / impulsor atascados.</li> </ol>	<ol style="list-style-type: none"> <li>1. Controlar / sustituir la correa de las barrenas.</li> <li>2. Controlar / sustituir la correa de las barrenas.</li> <li>3. Limpiar el conducto de la nieve.</li> <li>4. Quitar escombros u objetos extraños de las barrenas / impulsor</li> </ol>

---

# AVISO

---

**REPUESTOS MÁQUINA QUITANIEVES - MODELO PR241 (96192009200)**  
**CAJA DE LA BARRENA / ENSAMBLE DEL IMPULSOR**



05.09.009-G

**NOTA:** Las dimensiones de todos los componentes están expresadas en pulgadas americanas. 1 pulgada = 25,4 mm  
**IMPORTANTE:** Utilice únicamente piezas de repuesto del fabricante de equipos originales (O.E.M.).  
No hacerlo podría ser peligrosa, dañar su máquina quitanieves y anular su garantía.

**REPUESTOS MÁQUINA QUITANIEVES - MODELO PR241 (96192009200)**  
**CAJA DE LA BARRENA / ENSAMBLE DEL IMPULSOR**

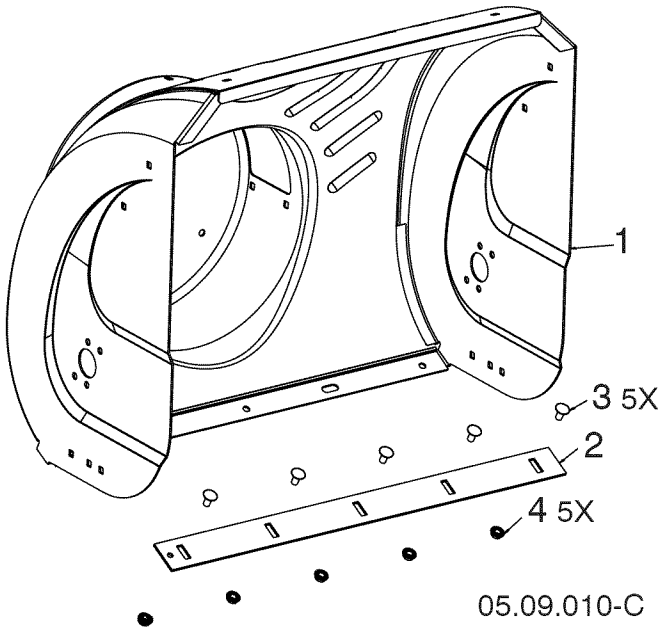
CÓDIGO PIEZA		DESCRIPCIÓN
No.	No.	
1	586 71 48-01	CAJA DE CAMBIOS
2	586 60 72-02	IMPULSOR
3	587 40 24-01	POLEA
4	585 05 69-01	BASE DE CONDUCTO DE DESCARGA
5	532 18 40-95	SOPORTE
6	588 07 75-01	PERNO 1/4-20
7	873 80 04-00	TUERCA 1/4-20
8	585 69 13-01	TUERCA 5/16-18
9	585 69 12-01	PERNO 5/16-18 X 5/8
10	581 63 20-02	SOPORTE
11	581 59 25-02	SOPORTE
12	532 19 87-91	RODAMIENTO DE BOLAS
13	532 16 31-83	TORNILLO 5/16-18 X 5/8
14	532 42 79-42	ARANDELA 5/16-18
15	587 58 72-02	INFERIOR GUIA CORREA

**NOTA:** Las dimensiones de todos los componentes están expresadas en pulgadas americanas. 1 pulgada = 25,4 mm

**IMPORTANTE:** Utilice únicamente piezas de repuesto del fabricante de equipos originales (O.E.M.).

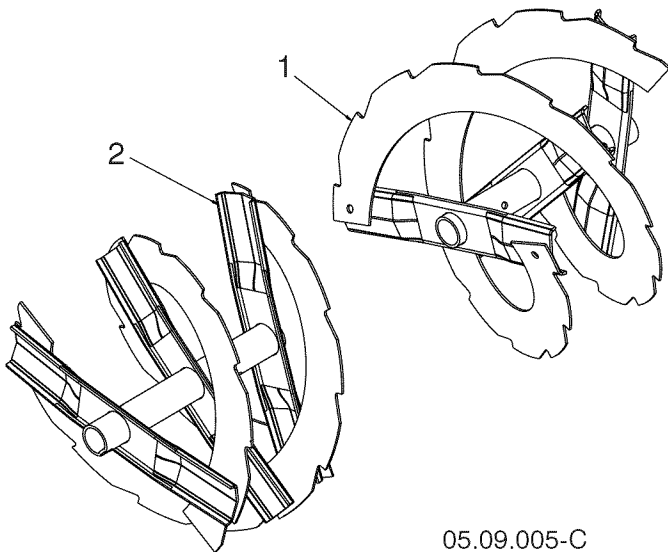
No hacerlo podría ser peligrosa, dañar su máquina quitanieves y anular su garantía.

**REPUESTOS MÁQUINA QUITANIEVES - MODELO PR241 (96192009200)**  
**CAJA DE LA BARRENA / ENSAMBLE DEL IMPULSOR**



**CÓDIGO PIEZA**

No.	No.	DESCRIPCIÓN
1	581 70 83-99	CAJA DE LA BARRENA
2	532 40 78-25	BARRA DE ARRASTRE
3	872 27 05-05	PERNO 5/16-18 X .625 GRADO 5
4	532 15 53-77	TUERCA 5/16-18



**CÓDIGO PIEZA**

No.	No.	DESCRIPCIÓN
1	532 42 10-72	BARRENA LI 24
2	532 42 10-73	BARRENA LD 24

**NOTA:** Las dimensiones de todos los componentes están expresadas en pulgadas americanas. 1 pulgada = 25,4 mm

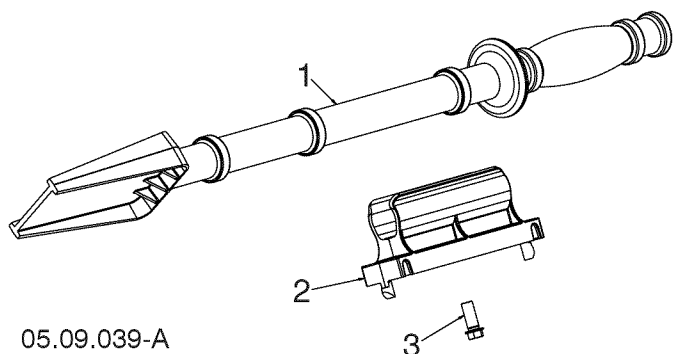
**IMPORTANTE:** Utilice únicamente piezas de repuesto del fabricante de equipos originales (O.E.M.).

No hacerlo podría ser peligrosa, dañar su máquina quitanieves y anular su garantía.



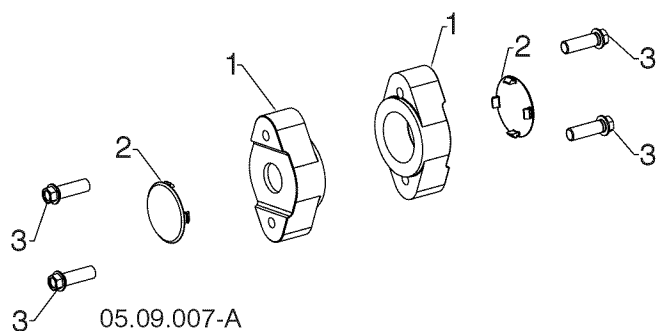
# REPUESTOS MÁQUINA QUITANIEVES - MODELO PR241 (96192009200)

## CAJA DE LA BARRENA / ENSAMBLE DEL IMPULSOR



05.09.039-A

CÓDIGO PIEZA		DESCRIPCIÓN
No.	No.	
1	532 19 21-99	HERRAMIENTA PARA LIMPIAR
2	532 40 54-00	CIERRE
3	532 19 41-89	TORNILLO 13-16 X 5/8

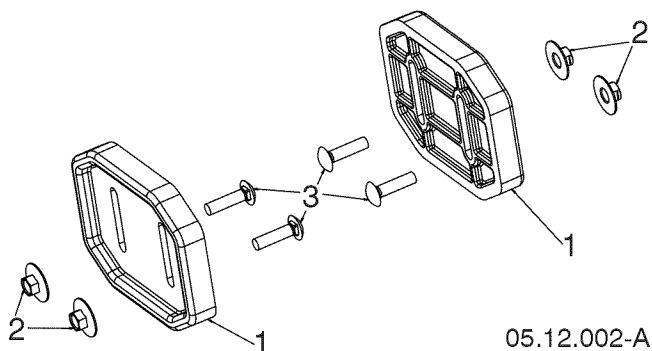


05.09.007-A

CÓDIGO PIEZA		DESCRIPCIÓN
No.	No.	
1	532 42 04-78	RODAMIENTO
2	532 41 19-39	RODAMIENTO DE TAPÓN
3	584 29 94-01	TORNILLO 5/16-14 X 1.00

**NOTA:** Las dimensiones de todos los componentes están expresadas en pulgadas americanas. 1 pulgada = 25,4 mm  
**IMPORTANTE:** Utilice únicamente piezas de repuesto del fabricante de equipos originales (O.E.M.).  
 No hacerlo podría ser peligrosa, dañar su máquina quitanieves y anular su garantía.

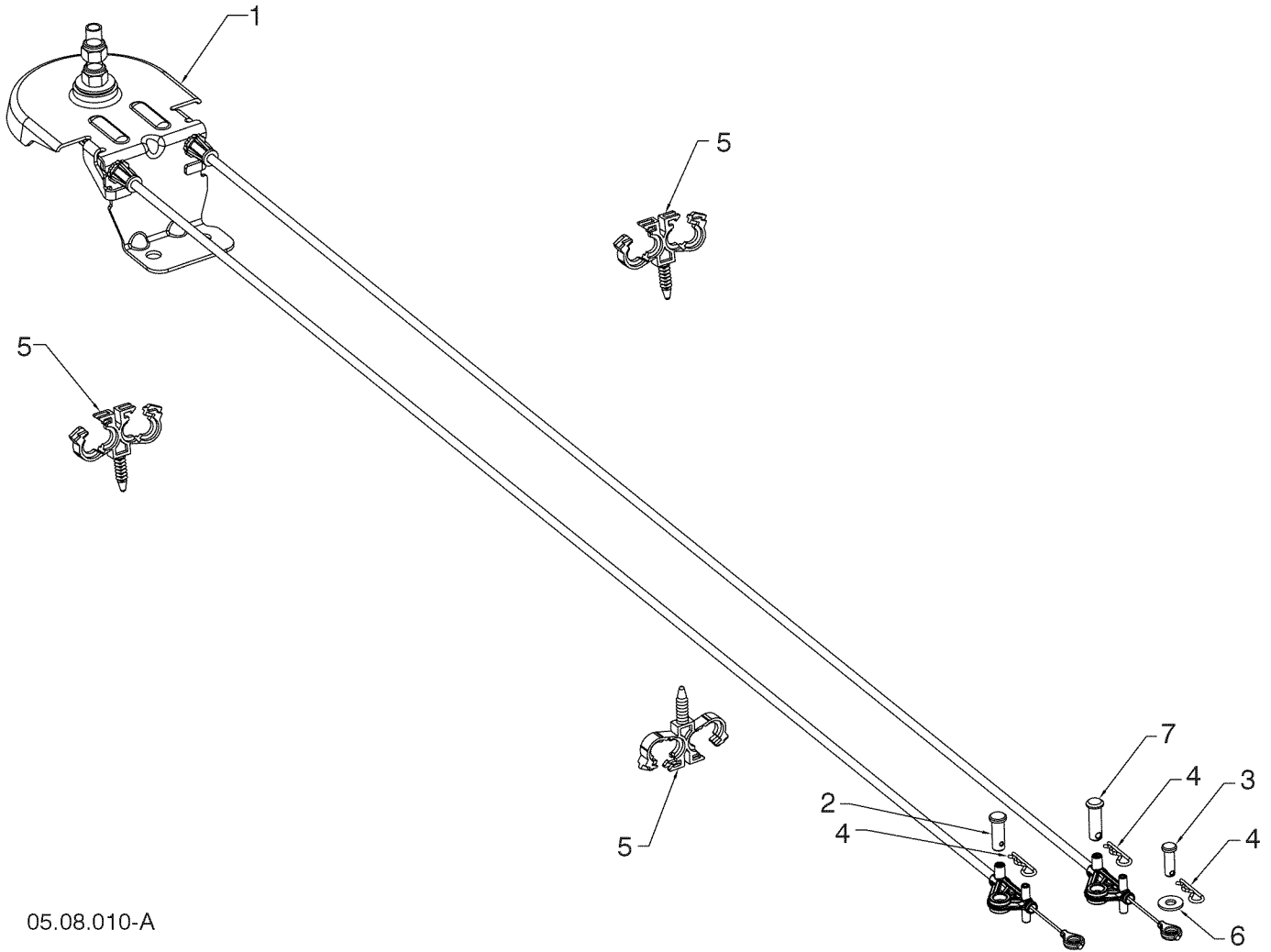
**REPUESTOS MÁQUINA QUITANIEVES - MODELO PR241 (96192009200)**  
**CAJA DE LA BARRENA / ENSAMBLE DEL IMPULSOR**



CÓDIGO PIEZA		DESCRIPCIÓN
No.	No.	
1	532 43 59-51	PLACA DE DESLIZAMIENTO
2	585 80 28-01	PERNO 5/16-18
3	585 80 29-01	TUERCA 5/16-18 X 1.25

**NOTA:** Las dimensiones de todos los componentes están expresadas en pulgadas americanas. 1 pulgada = 25,4 mm  
**IMPORTANTE:** Utilice únicamente piezas de repuesto del fabricante de equipos originales (O.E.M.).  
No hacerlo podría ser peligrosa, dañar su máquina quitanieves y anular su garantía.

**REPUESTOS MÁQUINA QUITANIEVES - MODELO PR241 (96192009200)**  
**PANEL DE CONTROL / CONDUCTO DE DESCARGA**

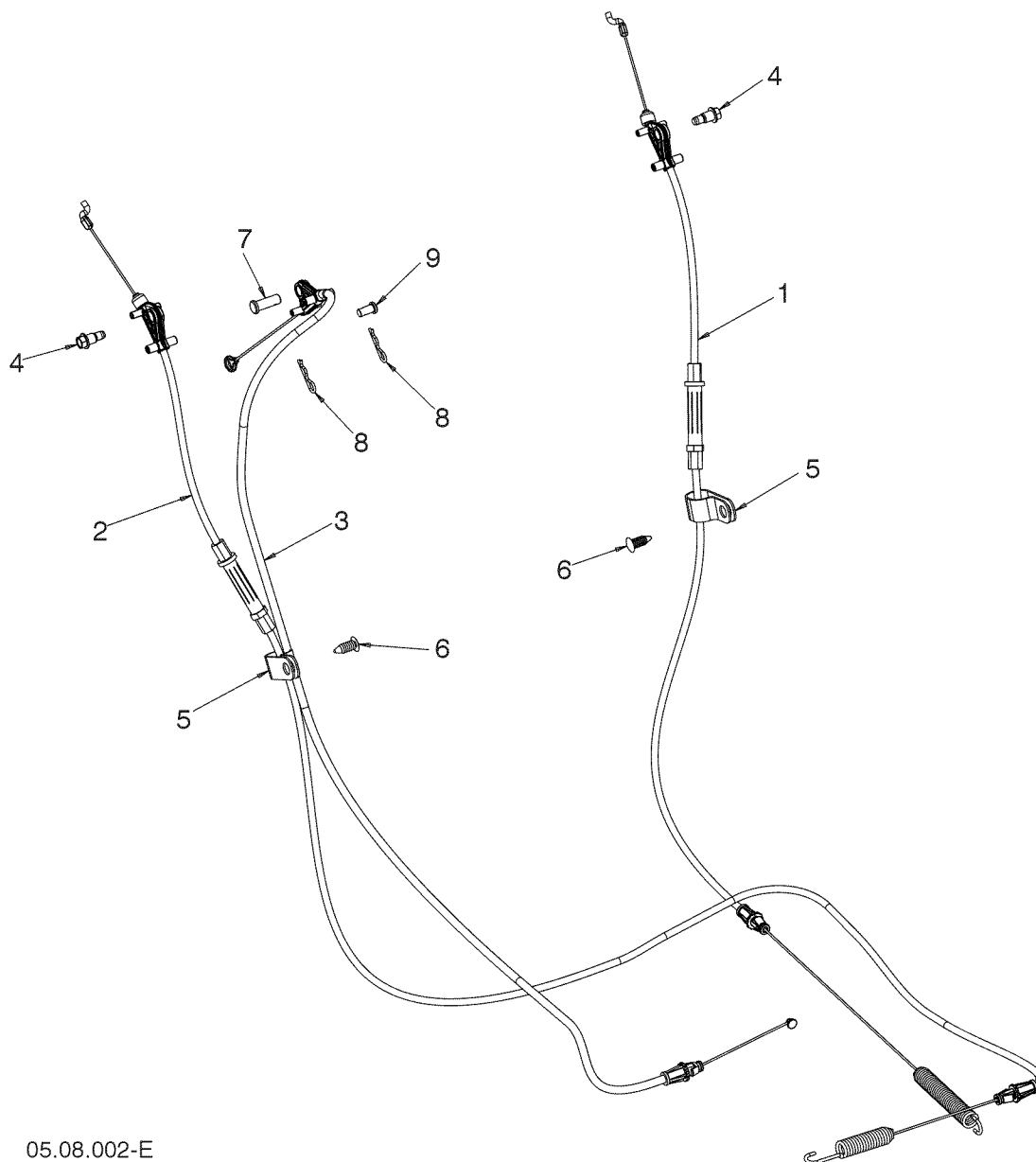


05.08.010-A

CÓDIGO PIEZA		DESCRIPCIÓN
No.	No.	
1	587 80 34-01	ENSAMBLE DEL CABLE GIRATORIA DEL CONDUCTO
2	581 32 94-01	PASADOR DE CHAVETA 5/6 X 7/8
3	877 10 08-12	PASADOR DE CHAVETA 1/4 X 3/4
4	532 42 33-03	HORQUILLA
5	584 65 22-01	CIERRE
6	586 68 21-01	ARANDELA
7	587 13 08-01	PASADOR DE CHAVETA 5/16 X 1

**NOTA:** Las dimensiones de todos los componentes están expresadas en pulgadas americanas. 1 pulgada = 25,4 mm  
**IMPORTANTE:** Utilice únicamente piezas de repuesto del fabricante de equipos originales (O.E.M.).  
 No hacerlo podría ser peligrosa, dañar su máquina quitanieves y anular su garantía.

**REPUESTOS MÁQUINA QUITANIEVES - MODELO PR241 (96192009200)**  
**PANEL DE CONTROL / CONDUCTO DE DESCARGA**

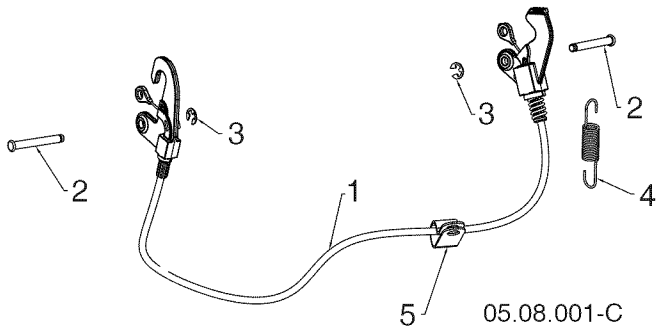


05.08.002-E

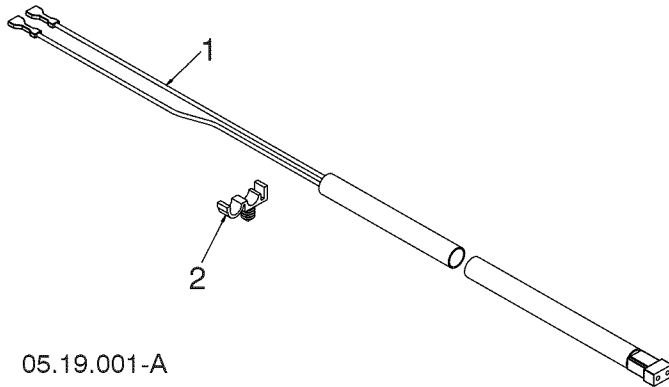
CÓDIGO PIEZA		DESCRIPCIÓN
No.	No.	
1	581 68 03-01	ENSAMBLE DE LA CABLE
2	581 32 94-01	PASADOR DE CHAVETA 5/16 X 7/8
3	877 10 08-12	PASADOR DE CHAVETA 1/4 X 3/4
4	532 42 33-03	HORQUILLA
5	584 65 22-01	CIERRE
6	586 68 21-01	ARANDELA
7	587 13 08-01	PASADOR DE CHAVETA 5/16 X 1

**NOTA:** Las dimensiones de todos los componentes están expresadas en pulgadas americanas. 1 pulgada = 25,4 mm  
**IMPORTANTE:** Utilice únicamente piezas de repuesto del fabricante de equipos originales (O.E.M.).  
 No hacerlo podría ser peligrosa, dañar su máquina quitanieves y anular su garantía.

**REPUESTOS MÁQUINA QUITANIEVES - MODELO PR241 (96192009200)**  
**PANEL DE CONTROL / CONDUCTO DE DESCARGA**



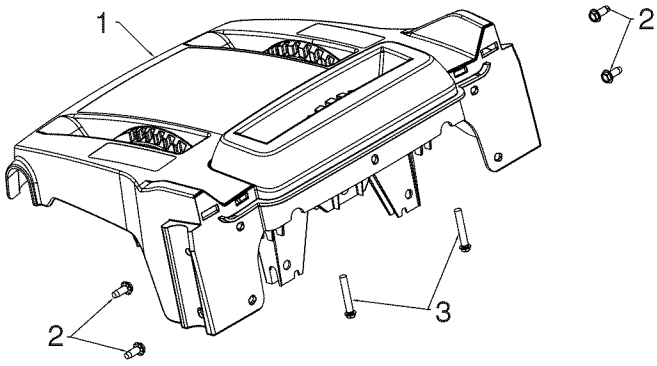
CÓDIGO PIEZA		DESCRIPCIÓN
No.	No.	
1	587 33 25-02	CABLE
2	532 43 17-62	CHAVETA
3	812 00 00-14	ARO E
4	581 15 12-01	RESORTE
5	532 19 79-91	CIERRE



CÓDIGO PIEZA		DESCRIPCIÓN
No.	No.	
1	588 06 42-01	CABLEADO ELÉCTRICO LUCES Y PUÑOS
2	532 14 50-06	RETENCIÓN

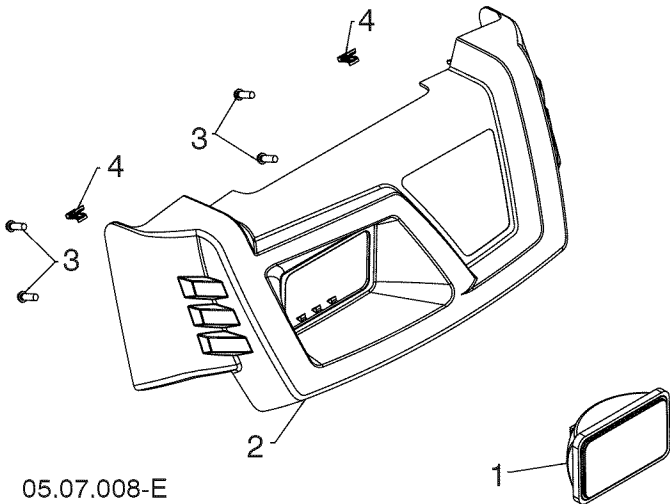
**NOTA:** Las dimensiones de todos los componentes están expresadas en pulgadas americanas. 1 pulgada = 25,4 mm  
**IMPORTANTE:** Utilice únicamente piezas de repuesto del fabricante de equipos originales (O.E.M.).  
 No hacerlo podría ser peligrosa, dañar su máquina quitanieves y anular su garantía.

**REPUESTOS MÁQUINA QUITANIEVES - MODELO PR241 (96192009200)**  
**PANEL DE CONTROL / CONDUCTO DE DESCARGA**



05.07.021-A

CÓDIGO PIEZA		DESCRIPCIÓN
No.	No.	
1	581 13 12-06	CONSOLA
2	817 06 04-10	TORNILLO 1/4-20 X .62
3	581 32 95-01	TORNILLO 13-16 X 1.50

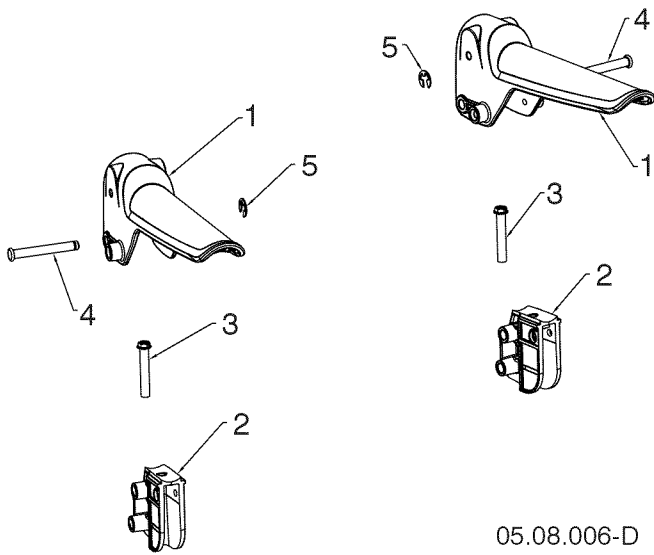


05.07.008-E

CÓDIGO PIEZA		DESCRIPCIÓN
No.	No.	
1	586 18 10-01	FARO
2	581 12 81-03	CUBIERTA POULAN PRO
3	532 19 41-89	TORNILLO 13-16 X 5/8
4	581 92 87-01	CIERRE
--	532 18 37-84	BOMBILLA DE LUZ

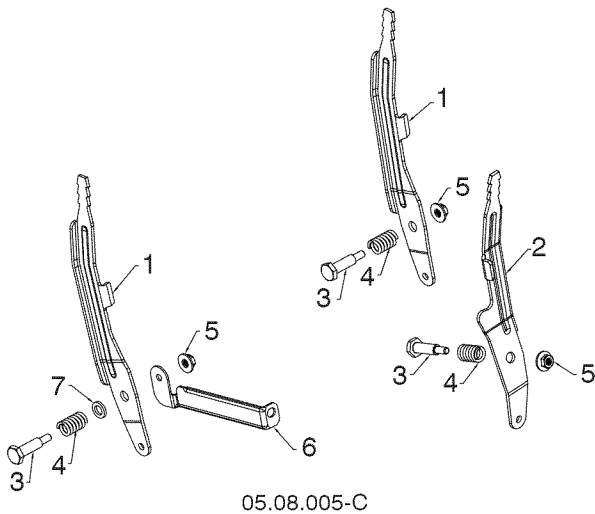
**NOTA:** Las dimensiones de todos los componentes están expresadas en pulgadas americanas. 1 pulgada = 25,4 mm  
**IMPORTANTE:** Utilice únicamente piezas de repuesto del fabricante de equipos originales (O.E.M.).  
 No hacerlo podría ser peligrosa, dañar su máquina quitanieves y anular su garantía.

**REPUESTOS MÁQUINA QUITANIEVES - MODELO PR241 (96192009200)**  
**PANEL DE CONTROL / CONDUCTO DE DESCARGA**



CÓDIGO No.	PIEZA No.	DESCRIPCIÓN
1	587 46 30-01	PALANCA DSST
2	581 20 81-01	ENSAMBLE DE LA PALANCA
3	585 69 07-01	TORNILLO 10-24 X 1.50
4	532 43 17-62	PASADOR
5	812 00 00-14	ARO E

05.08.006-D

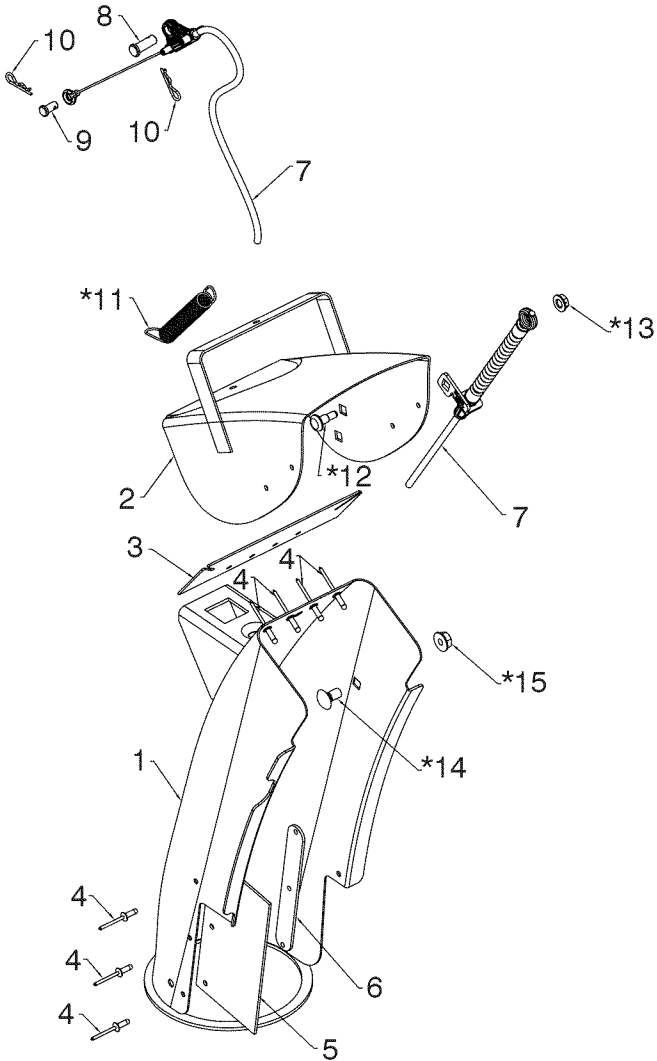


CÓDIGO No.	PIEZA No.	DESCRIPCIÓN
1	581 12 39-02	PALANCA VELOCIDAD/ DEFLECTOR
2	581 24 16-02	PALANCA ROTADOR
3	581 32 97-01	PERNO 1/4-20
4	581 32 96-01	RESORTE
5	586 66 89-01	TUERCA DE PRESIÓN 1/4-20
6	584 46 84-02	SOPORTE
7	587 03 13-01	ARANDELA.625 X .375 X .094

05.08.005-C

**NOTA:** Las dimensiones de todos los componentes están expresadas en pulgadas americanas. 1 pulgada = 25,4 mm  
**IMPORTANTE:** Utilice únicamente piezas de repuesto del fabricante de equipos originales (O.E.M.).  
 No hacerlo podría ser peligrosa, dañar su máquina quitanieves y anular su garantía.

**REPUESTOS MÁQUINA QUITANIEVES - MODELO PR241 (96192009200)**  
**PANEL DE CONTROL / CONDUCTO DE DESCARGA**



05.11.006-D

CÓDIGO PIEZA		DESCRIPCIÓN
No.	No.	
1	588 07 78-03	ENSAMBLE DE LA DEFLECTOR (INCLUYE 1-6)
2	-----	DEFLECTOR DE DESCARGA
3	-----	SORTIJA DE SELLA
4	-----	REMACHE
5	-----	PROTECTOR
6	-----	CORREA
7	586 96 15-01	ENSAMBLE DE LA CABLE - BOWDEN
8	581 32 94-01	PASADOR DE CHAVETA 5/16 X .875
9	585 80 83-01	PASADOR DE CHAVETA 1/4 X .312
10	532 42 33-03	HORQUILLA
*11	532 18 45-05	RESORTE
*12	585 83 22-01	PERNO 1/4-20 X .375
*13	585 69 14-01	TUERCA 1/4-20
*14	585 83 20-01	PERNO 3/8-16 X .625
*15	873 97 05-00	TUERCA 5/16-18

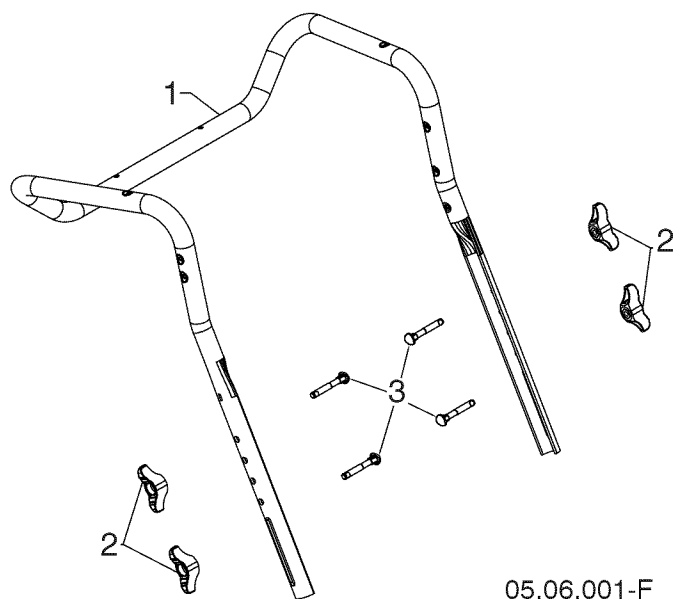
**NOTA:** TODOS LOS ARTÍCULOS MARCADOS CON UN \* SE OFRECEN EN EL BOLSO DE LOS ARTÍCULOS ENVIADOS FLOJO CON PRODUCT.

**NOTA:** Las dimensiones de todos los componentes están expresadas en pulgadas americanas. 1 pulgada = 25,4 mm  
**IMPORTANTE:** Utilice únicamente piezas de repuesto del fabricante de equipos originales (O.E.M.).  
 No hacerlo podría ser peligrosa, dañar su máquina quitanieves y anular su garantía.



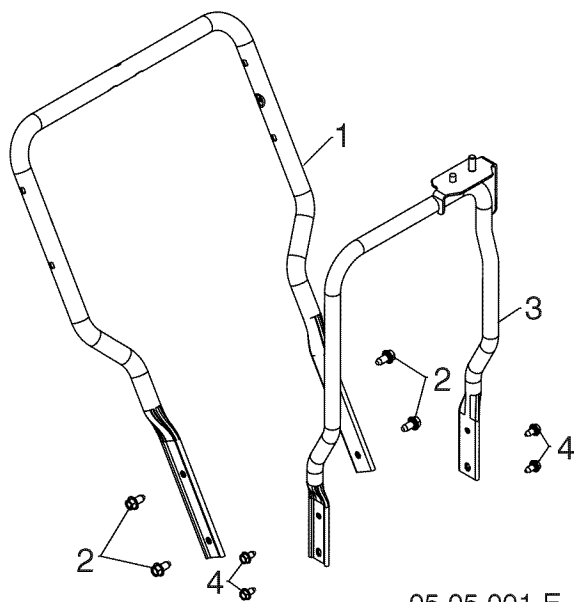
# REPUESTOS MANIJA

# MÁQUINA QUITANIEVES - MODELO PR241 (96192009200)



CÓDIGO PIEZA		DESCRIPCIÓN
No.	No.	
1	581 12 36-02	MANIJA SUPERIOR
2	532 19 19-38	PERILLA
3	588 05 99-01	TORNILLO 5/16-18 X 2.25

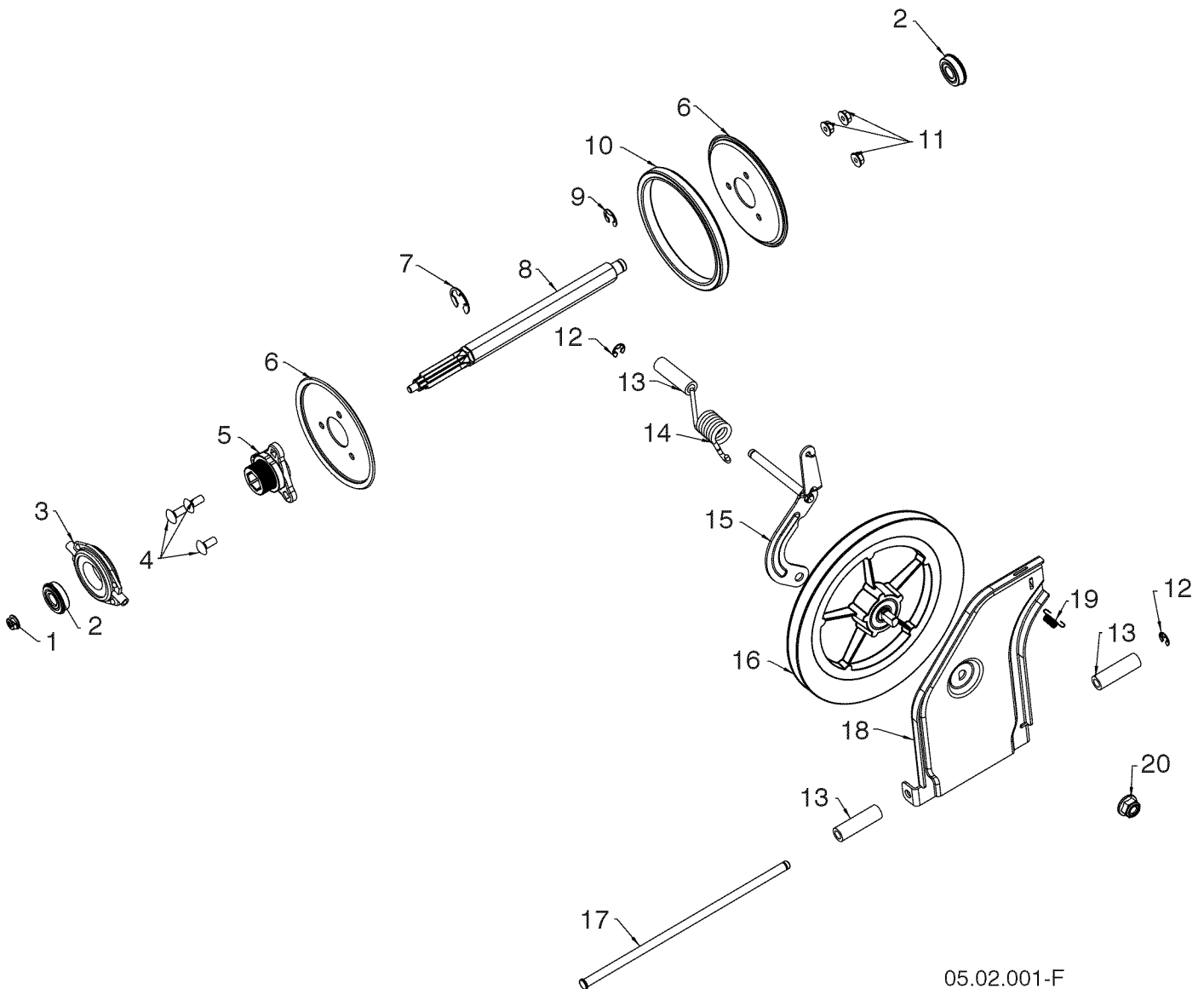
05.06.001-F



CÓDIGO PIEZA		DESCRIPCIÓN
No.	No.	
1	588 67 21-02	MANIJA INFERIOR
2	817 00 06-12	TORNILLO 3/8-16 X .75
3	581 62 20-02	ENSAMBLE DEL SOPORTE
4	817 00 05-10	PERNO 5/16-18

05.05.001-E

**NOTA:** Las dimensiones de todos los componentes están expresadas en pulgadas americanas. 1 pulgada = 25,4 mm  
**IMPORTANTE:** Utilice únicamente piezas de repuesto del fabricante de equipos originales (O.E.M.).  
 No hacerlo podría ser peligrosa, dañar su máquina quitanieves y anular su garantía.



05.02.001-F

**NOTA:** Las dimensiones de todos los componentes están expresadas en pulgadas americanas. 1 pulgada = 25,4 mm  
**IMPORTANTE:** Utilice únicamente piezas de repuesto del fabricante de equipos originales (O.E.M.).  
No hacerlo podría ser peligrosa, dañar su máquina quitanieves y anular su garantía.

**REPUESTOS  
TRANSMISIÓN**

**MÁQUINA QUITANIEVES - MODELO PR241 (96192009200)**

CÓDIGO PIEZA		DESCRIPCIÓN
No.	No.	
1	585 69 15-01	TUERCA 5/16-18
2	580 75 62-01	BUJE 9/16 I.D. 1622-2RSNR
3	532 17 53-44	ENSAMBLE DE LA RODAMIENTO
4	872 11 05-06	PERNO 5/16-18 X .75 GRADO 5
5	581 09 09-01	CUBO
6	581 09 10-02	CHAPA
7	812 00 00-22	ARO E
8	581 12 19-01	EJE
9	580 75 61-01	ANILLO DE RETENCIÓN 1622-2RSNR
10	581 09 11-01	ANILLO
11	532 75 11-53	TUERCA 5/16-18
12	812 00 00-07	ARO E 375
13	581 73 27-01	ESPACIADOR
14	581 31 53-01	RESORTE DE TORSIÓN DE RETENCIÓN
15	587 19 34-03	SOPORTE
16	581 32 84-01	COMBO DE FRICCION POLEA DEL DISCO
17	581 12 30-01	CHAPA
18	587 70 34-02	CHAPA
19	532 19 38-85	RESORTE
20	521 99 11-01	TUERCA 1/2-13

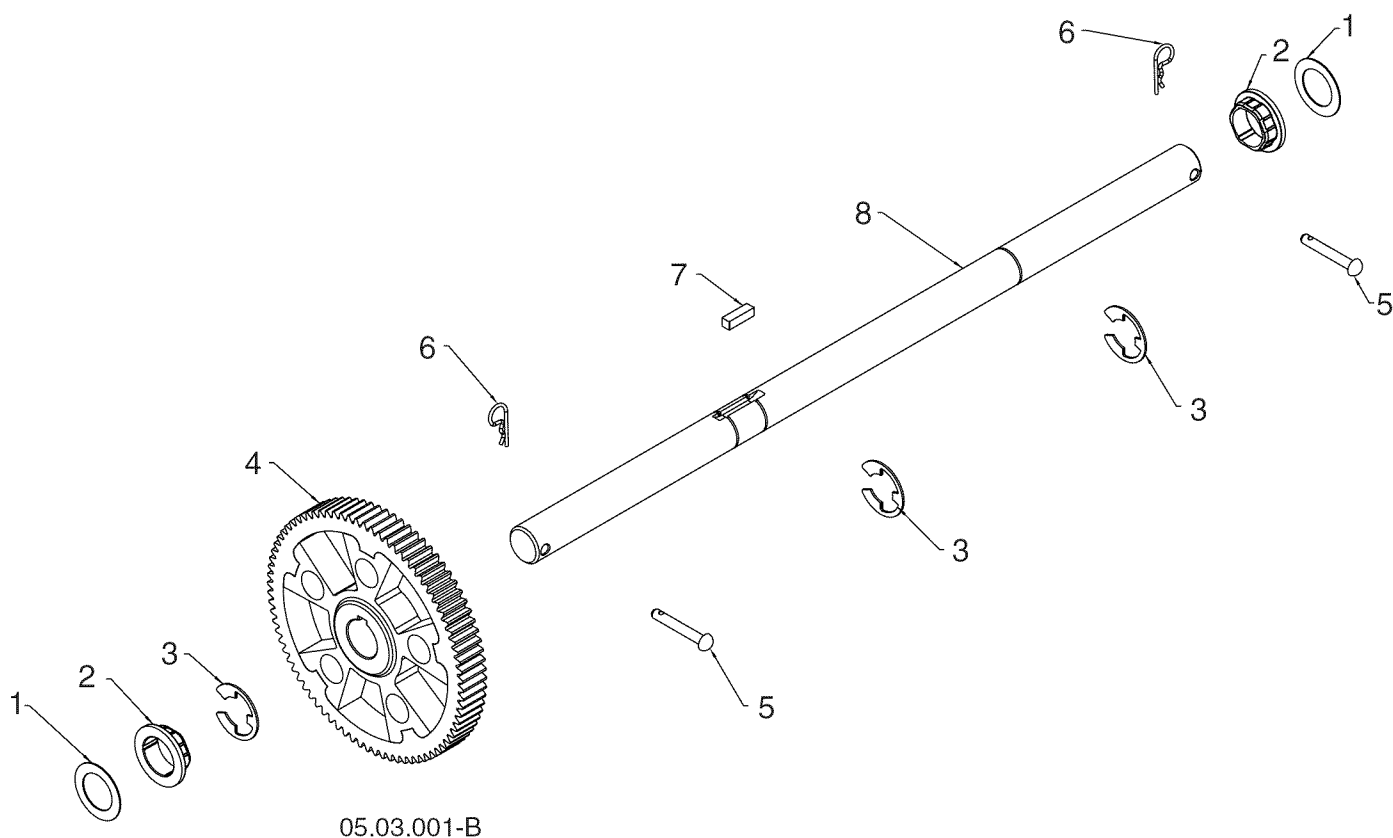
**NOTA:** Las dimensiones de todos los componentes están expresadas en pulgadas americanas. 1 pulgada = 25,4 mm

**IMPORTANTE:** Utilice únicamente piezas de repuesto del fabricante de equipos originales (O.E.M.).

No hacerlo podría ser peligrosa, dañar su máquina quitanieves y anular su garantía.

**REPUESTOS  
TRANSMISIÓN**

**MÁQUINA QUITANIEVES - MODELO PR241 (96192009200)**



CÓDIGO PIEZA		DESCRIPCIÓN
No.	No.	
1	532 44 49-49	ARANDELA 1.00
2	587 97 89-01	BUJE
3	812 00 00-53	ARO
4	588 51 87-02	ENGRANAJE 80T
5	532 17 12-71	REMACHE 1/4
6	532 12 47-88	RESORTE
7	532 18 92-82	CUÑA 1/4 X .875
8	581 12 20-01	SEMIEJE

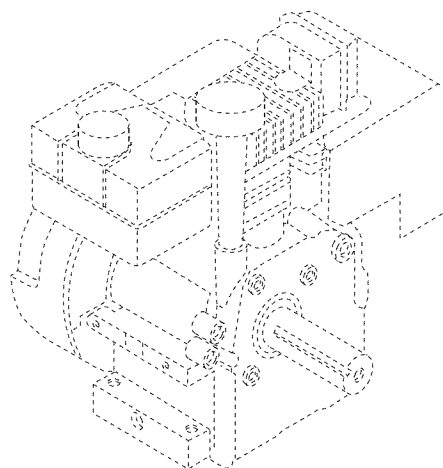
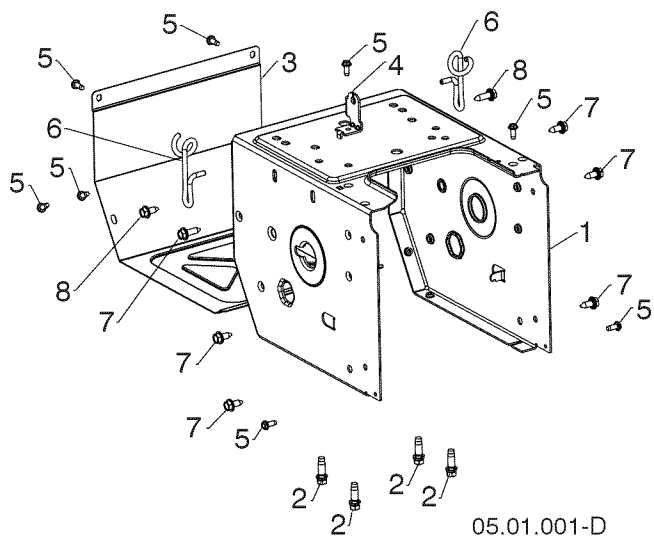
**NOTA:** Las dimensiones de todos los componentes están expresadas en pulgadas americanas. 1 pulgada = 25,4 mm

**IMPORTANTE:** Utilice únicamente piezas de repuesto del fabricante de equipos originales (O.E.M.).

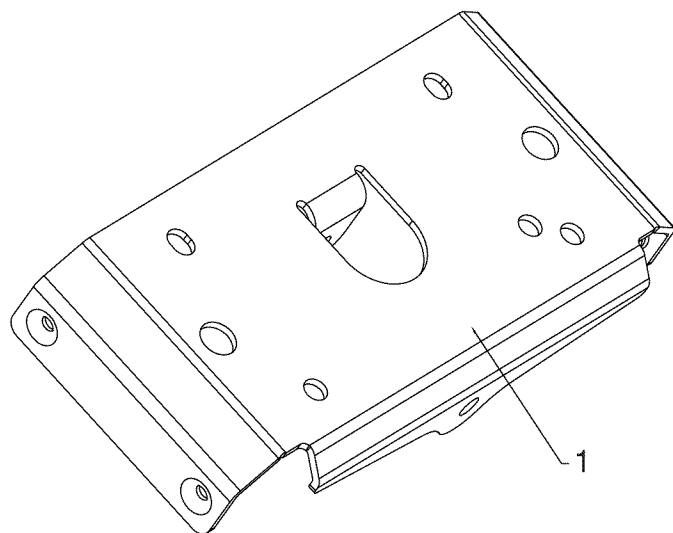
No hacerlo podría ser peligrosa, dañar su máquina quitanieves y anular su garantía.

# REPUESTOS MÁQUINA QUITANIEVES - MODELO PR241 (96192009200)

## CHASIS / MOTOR / POLEAS



CÓDIGO PIEZA		DESCRIPCIÓN
No.	No.	
--	580 42 60-06	COMPLETA LCT MOTOR PW2HK18650178E
1	580 83 94-03	CHASIS
2	532 15 04-06	PERNO 3/8-16 X 1.280
3	580 83 95-03	CUBIERTA DE LA CHASIS
4	581 12 24-02	SOPORTE
5	817 06 04-10	TORNILLO 1/4-20 X 5/8
6	585 20 60-01	SOPORTE
7	532 42 88-67	PERNO 5/16-18 X .75
8	585 21 75-01	PERNO 5/16-18 X 1.00

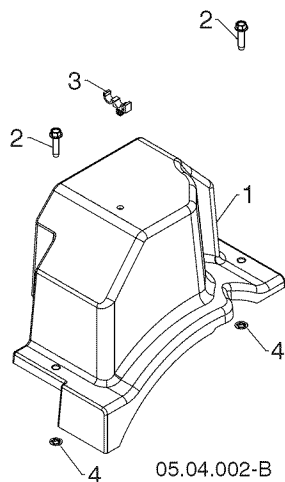


05.01.002-A

CÓDIGO PIEZA		DESCRIPCIÓN
No.	No.	
1	583 94 05-02	PLACA DE MONTAJE PEQUEÑO

**NOTA:** Las dimensiones de todos los componentes están expresadas en pulgadas americanas. 1 pulgada = 25,4 mm  
**IMPORTANTE:** Utilice únicamente piezas de repuesto del fabricante de equipos originales (O.E.M.).  
 No hacerlo podría ser peligrosa, dañar su máquina quitanieves y anular su garantía.

**REPUESTOS MÁQUINA QUITANIEVES - MODELO PR241 (96192009200)**  
**CHASIS / MOTOR / POLEAS**

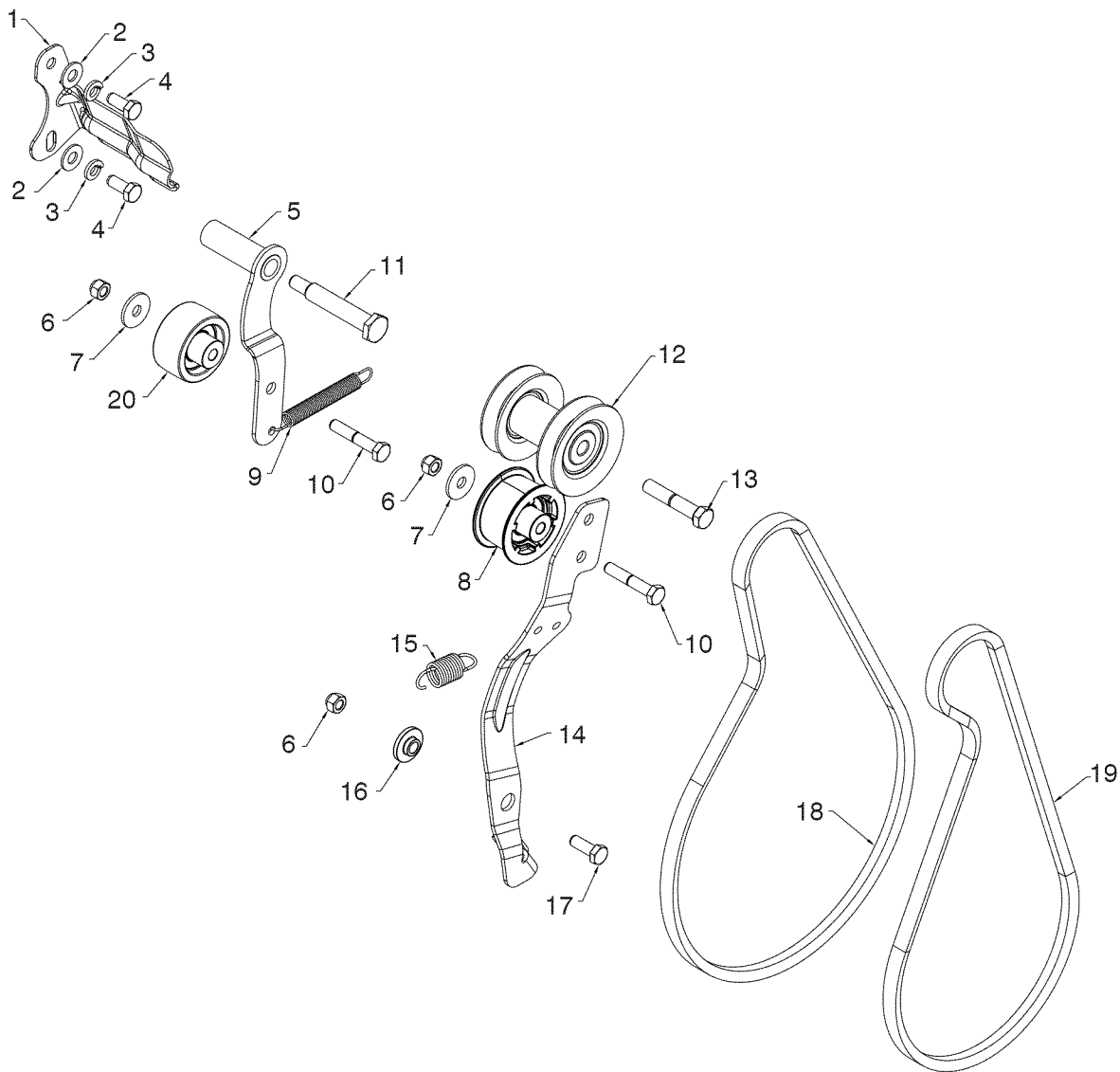


CÓDIGO PIEZA		DESCRIPCIÓN
No.	No.	
1	587 10 54-01	ENSAMBLE DE LA CUBIERTA (INCLUYE 2 & 4)
2	-----	PERNO 1/4-20 X 1
3	532 14 50-06	CIERRE DEL CABLE
4	-----	TUERCA 1/4

**NOTA:** Las dimensiones de todos los componentes están expresadas en pulgadas americanas. 1 pulgada = 25,4 mm  
**IMPORTANTE:** Utilice únicamente piezas de repuesto del fabricante de equipos originales (O.E.M.).  
 No hacerlo podría ser peligrosa, dañar su máquina quitanieves y anular su garantía.

# REPUESTOS MÁQUINA QUITANIEVES - MODELO PR241 (96192009200)

## CHASIS / MOTOR / POLEAS



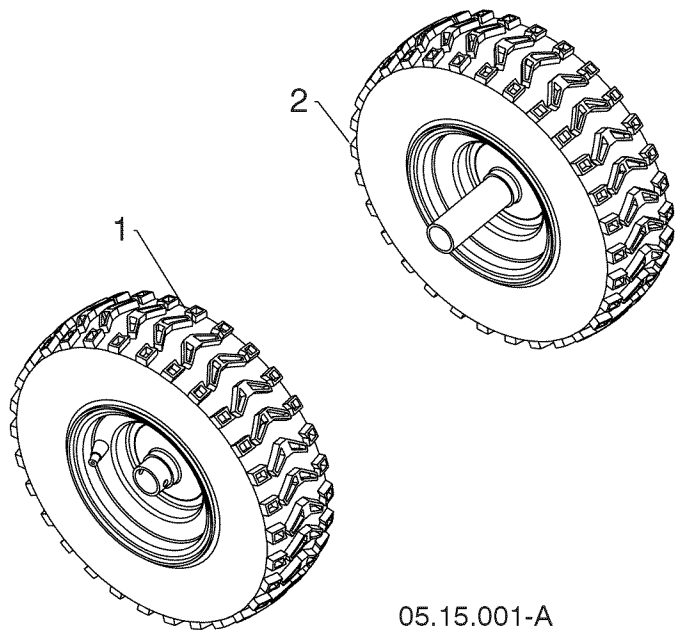
05.04.001-H

CÓDIGO PIEZA			CÓDIGO PIEZA		
No.	No.	DESCRIPCIÓN	No.	No.	DESCRIPCIÓN
1	588 49 28-02	SOPORTE	11	581 41 38-01	PERNO 5/16-24 X 2.15
2	819 11 12-16	ARANDELA 11/32 X 3/4 X CALIBRE 16	12	587 89 37-03	ENSAMBLE DEL POLEA
3	810 04 05-00	ARANDELA DE PRESIÓN 5/16	13	532 17 96-17	PERNO 3/8-24 X 2.00
4	874 61 05-12	TORNILLO 5/16-24 X .75 GRADO 5	14	580 83 11-04	BRAZO DE LA POLEA
5	581 33 82-03	BRAZO DE LA POLEA	15	587 03 12-01	RETORNO DEL RESORTE
6	873 80 05-00	TUERCA 5/16-18	16	587 34 37-01	BUJE
7	532 05 92-89	ARANDELA .328 X 1.00 X .097	17	874 76 05-14	PERNO 5/16-18 X .875
8	581 14 14-01	POLEA 2.0	18	584 21 61-02	CORREA DE LA TRANSMISIÓN 4L X 38.2
9	580 75 30-01	RETORNO DEL RESORTE	19	581 83 24-01	CORREADE LA IMPULSOR
10	874 76 05-28	PERNO 5/16-18 X 1.75	20	586 88 02-01	POLEA 2.0

**NOTA:** Las dimensiones de todos los componentes están expresadas en pulgadas americanas. 1 pulgada = 25,4 mm  
**IMPORTANTE:** Utilice únicamente piezas de repuesto del fabricante de equipos originales (O.E.M.).  
 No hacerlo podría ser peligrosa, dañar su máquina quitanieves y anular su garantía.

# REPUESTOS RUEDAS

# MÁQUINA QUITANIEVES - MODELO PR241 (96192009200)



05.15.001-A

## CÓDIGO PIEZA

No.	No.	DESCRIPCIÓN
1	580 62 77-03	RUEDA 13X4 LD 1.00 K478
2	580 62 76-03	RUEDA 13X4 LI 1.00 K478

**NOTA:** Las dimensiones de todos los componentes están expresadas en pulgadas americanas. 1 pulgada = 25,4 mm

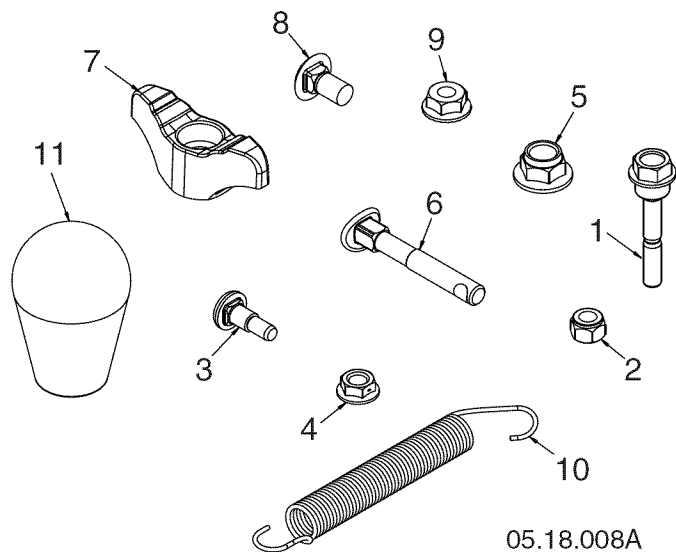
**IMPORTANTE:** Utilice únicamente piezas de repuesto del fabricante de equipos originales (O.E.M.).

No hacerlo podría ser peligrosa, dañar su máquina quitanieves y anular su garantía.

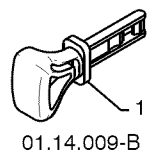


**REPUESTOS  
BOLSA DE PIEZAS**

**MÁQUINA QUITANIEVES - MODELO PR241 (96192009200)**



CÓDIGO PIEZA		DESCRIPCIÓN
No.	No.	
1	588 07 75-01	PERNO 1/4-20 X 1.81
2	873 80 04-00	TUERCA 1/4 - 20
3	585 83 22-01	PERNO DE TOPE
4	585 69 14-01	TUERCA 1/4-20 CTR
5	588 25 29-01	TUERCA 3/8-16
6	588 05 99-01	PERNO 5/16-18 X 2.25
7	532 19 19-38	PERILLA 5/16-18
8	585 83 20-01	PERNO 5/16-18 X .625
9	873 97 05-00	TUERCA 5/16-18
10	532 18 45-05	RESORTE
11	581 69 75-01	PERILLA

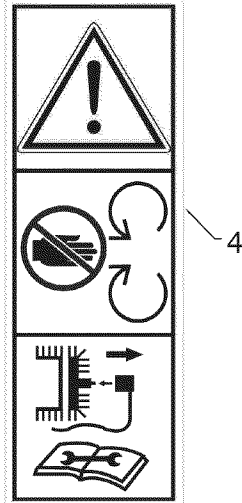
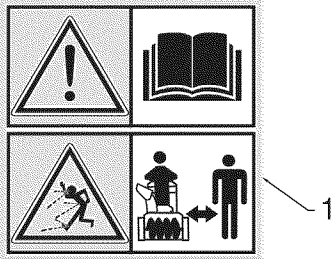


CÓDIGO PIEZA		DESCRIPCIÓN
No.	No.	
1	532 44 30-59	CUÑA

**NOTA:** Las dimensiones de todos los componentes están expresadas en pulgadas americanas. 1 pulgada = 25,4 mm  
**IMPORTANTE:** Utilice únicamente piezas de repuesto del fabricante de equipos originales (O.E.M.).  
 No hacerlo podría ser peligrosa, dañar su máquina quitanieves y anular su garantía.

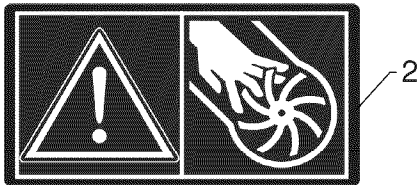
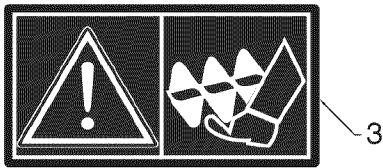
**REPUESTOS  
CALCOMANÍA**

**MÁQUINA QUITANIEVES - MODELO PR241 (96192009200)**



**CÓDIGO PIEZA**  
No. No.

CÓDIGO PIEZA		DESCRIPCIÓN
No.	No.	
1	532 18 40-45	CALCOMANÍA PARA EL BARRENA
2	532 19 96-82	CALCOMANÍA PARA EL CONDUCTO DE DESCARGA
3	532 19 96-83	CALCOMANÍA PARA EL BARRENA SEGURIDAD
4	532 18 40-28	CALCOMANÍA PARA EL GUÍA DE LA CORREA

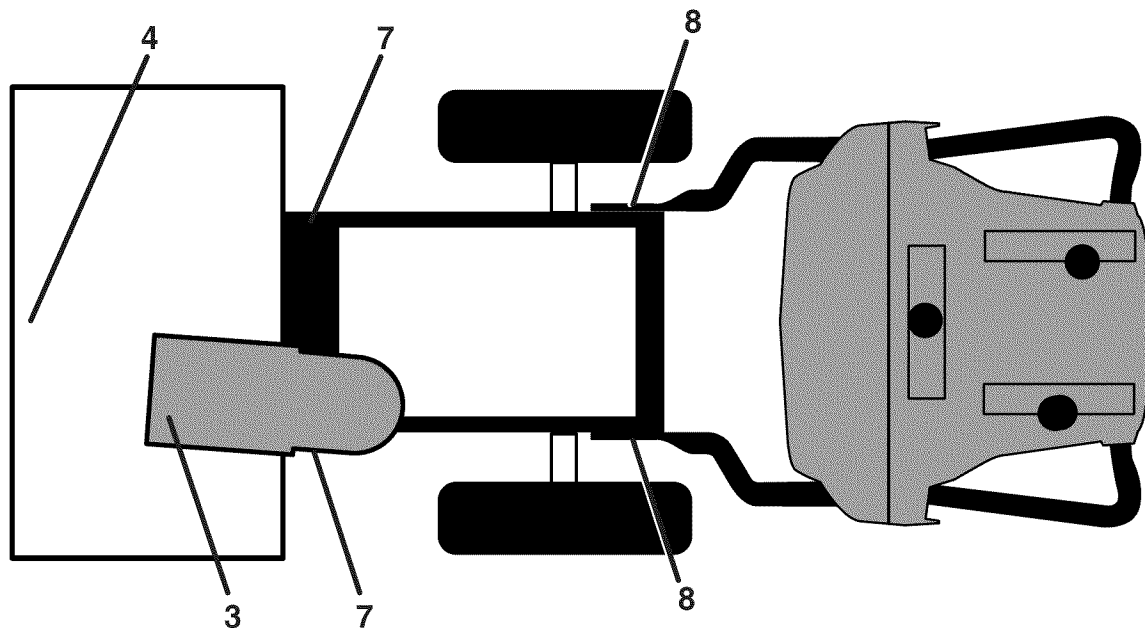


05.16.001-A

**NOTA:** Las dimensiones de todos los componentes están expresadas en pulgadas americanas. 1 pulgada = 25,4 mm  
**IMPORTANTE:** Utilice únicamente piezas de repuesto del fabricante de equipos originales (O.E.M.).  
 No hacerlo podría ser peligrosa, dañar su máquina quitanieves y anular su garantía.

**REPUESTOS  
CALCOMANÍA**

**MÁQUINA QUITANIEVES - MODELO PR241 (96192009200)**



CÓDIGO No.	PIEZA No.	DESCRIPCIÓN
3	532 19 96-82	CALCOMANÍA, ADVERTENCIA, DEFLECTOR DE DESCARGA
4	532 18 40-45	CALCOMANÍA, ADVERTENCIA
7	532 18 40-28	CALCOMANÍA
8	532 19 96-83	CALCOMANÍA
--	588 63 17-27	MANUAL DE DUEÑOS, INGLÉS
--	588 63 17-31	MANUAL DE DUEÑOS, FRANCÉS
--	588 63 17-46	MANUAL DE DUEÑOS, ESPAÑOL

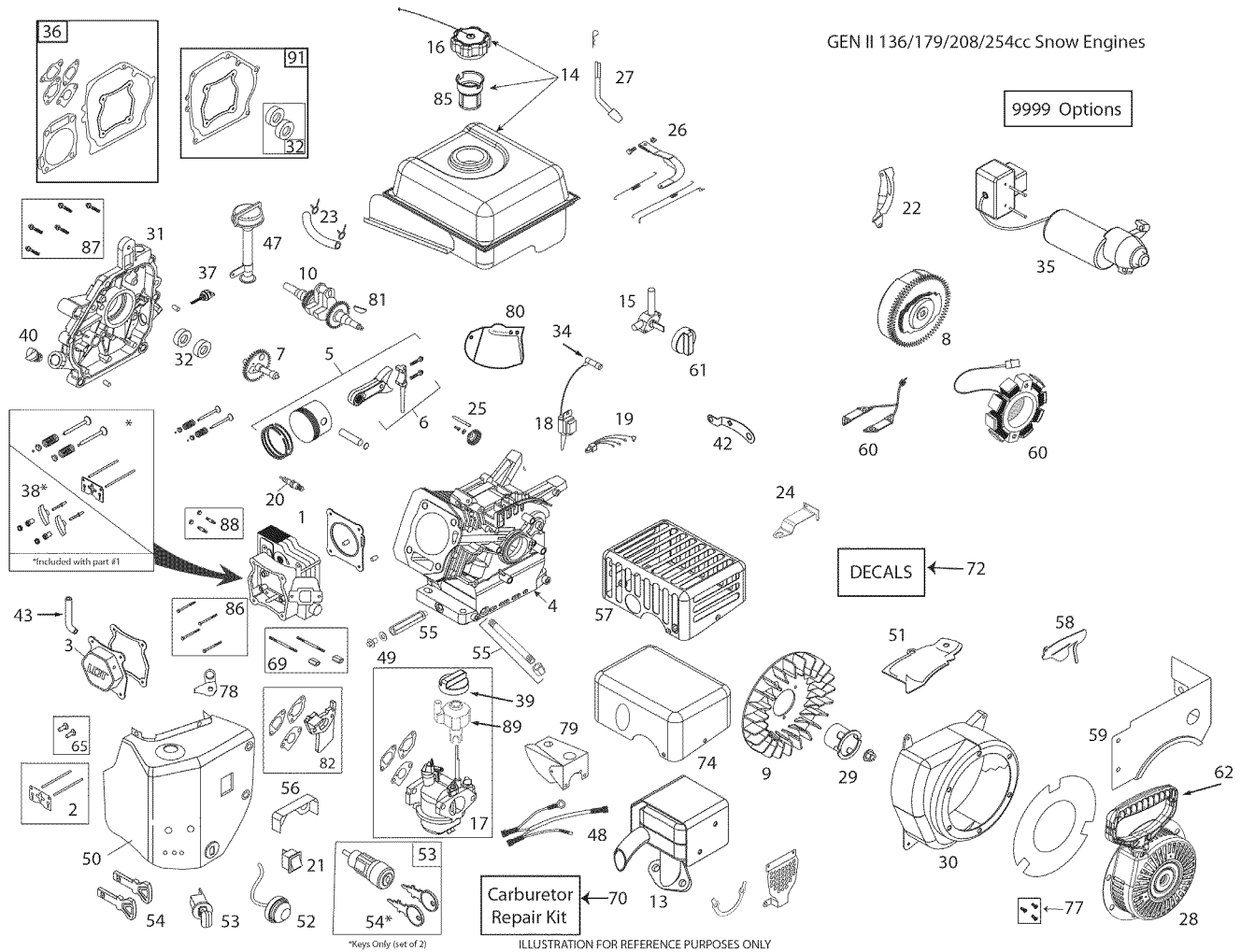
**NOTA:** Las dimensiones de todos los componentes están expresadas en pulgadas americanas. 1 pulgada = 25,4 mm

**IMPORTANTE:** Utilice únicamente piezas de repuesto del fabricante de equipos originales (O.E.M.).

No hacerlo podría ser peligrosa, dañar su máquina quitanieves y anular su garantía.

# REPUESTOS MÁQUINA QUITANIEVES - MODELO PR241 (96192009200)

## MOTOR COMPLETO - 580426006



CÓDIGO NO.	PIEZA NO.	DESCRIPCIÓN	CÓDIGO NO.	PIEZA NO.	DESCRIPCIÓN
1	532 42 05-78	CONJUNTO DE CULATA - 208CC (INCL. JUNTA)	14	532 43 65-64	TANQUE DE COMBUSTIBLEK (208CC-NIEVE) (2.7L NEGRO)
2	532 42 05-79	KIT DE PLACA Y VARILLA DE EMPUJE (208CC)(INCL. JUNTA)	15	532 42 92-34	VÁLVULA DE APERTURA/ CIERRE DEL TANQUE DE COMBUSTIBLE - GEN II NIEVE
3	587 17 69-01	CUBIERTA DE VÁLVULA (208CC) (INCL. JUNTA)	16	532 42 49-42	TAPÓN DEL TANQUE DE COMBUSTIBLE - NEGRO, ENCAJABLE (VENTILADO)
4	532 43 65-67	CILINDRO - 208CC GEN LL	17	532 43 65-65	CARBURADOR (L10-1)
5	532 42 05-82	CONJUNTO DE PISTÓN Y (208CC)	18	532 44 39-34	BOBINA DE ENCENDIDO (CDI) (208CC) (ESTÁNDAR)
6	532 42 05-83	CONJUNTO DE BIELA (208CC)	19	N/A	N/A
7	532 42 05-84	ÁRBOL DE LEVAS - MCR (208CC)	20	532 42 49-39	BUJÍA
8	532 44 38-92	VOLANTE MOTOR (208CC)	21	532 42 49-57	INTERRUPTOR DE ENCENDIDO/APAGADO - BASCULANTE
9	532 42 05-86	VENTILADOR - VOLANTE MOTOR (PLÁSTICO - 208 CC)	22	532 42 49-75	PROTECCIÓN
10	532 44 66-42	CIGÜEÑAL (#18 KEYED 208CC NIEVE)	23	532 43 21-44	KIT DE TUBO DE COMBUSTIBLE (1/4' ID X 318MM - SS)
13	532 43 65-63	CONJUNTO DE SILENCIADOR- GEN LL NIEVE			

**NOTA:** Las dimensiones de todos los componentes están expresadas en pulgadas americanas. 1 pulgada = 25,4 mm

**IMPORTANTE:** Utilice únicamente piezas de repuesto del fabricante de equipos originales (O.E.M.). No hacerlo podría ser peligrosa, dañar su máquina quitanieves y anular su garantía.

# REPUESTOS MÁQUINA QUITANIEVES - MODELO PR241 (96192009200)

## MOTOR COMPLETO - 580426006

CÓDIGO NO.	PIEZA NO.	DESCRIPCIÓN	CÓDIGO NO.	PIEZA NO.	DESCRIPCIÓN
24	532 42 92-59	ABRAZADERA DE CONTROL DE VELOCIDAD (FIJA)	56	532 42 92-60	PROTECCIÓN - 208CC SNOW CE COMPLIANT
25	532 42 96-46	CONJUNTO DE ENGRANAJE REGULADOR (136/208CC)	57	532 43 66-72	PROTECCIÓN (208CC)
26	581 76 87-01	KIT DE BRAZO Y ARTICULACIÓN DEL REGULADOR (208CC - 3600 FIJAS RPM)	58	532 42 49-60	PROTECCIÓN - 208CC NIEVE
27	532 42 06-02	PALETA DE BRAZO DEL REGULADOR	59	532 43 65-62	FALDILLA DE TANQUE DE COMBUSTIBLE (208 CC NIEVE)
28	532 43 69-67	ARRANQUE RETRÁCTIL	60	532 44 38-93	CARGA DE BOBINA (60-WATT AC) (208/254CC)
29	532 43 69-68	COPA DE ARRANCADOR (SE UTILIZA CON EL ARRANCADOR HEXAGONAL) (208 CC NIEVE)	61	532 43 27-52	PERILLA DE CONTROL DEL COMBUSTIBLE (GEN II NIEVE - ROJO)
30	581 19 20-01	ALOJAMIENTO DEL SOPLADOR	62	532 42 49-68	MANGO DE LA PALANCA
31	532 44 37-73	CUBIERTA DEL CÁRTER (A PRESIÓN HOFT) (INCL. JUNTA)	65	581 37 28-01	KIT DE TAQUÉS (208/254CC) (JUEGO DE 2)
32	532 42 95-99	KIT DE RETÉN DE ACEITE (2 PIEZAS PARA CIGÜEÑAL DE 3/4)	69	532 42 49-51	KIT DE ESPÁRRAGOS Y ACOPLAMIENTO DE CARBURADOR-NIEVE
34	532 43 69-66	FUNDA DE BUJÍA - CON BLINDAJE METÁLICO (NIEVE)	70	580 35 36-01	KIT DE REPARACIÓN DEL CARBURADOR (136/208/254CC)
35	532 43 64-66	120V ARRANQUE ELÉCTRICO (208/254CC GEN LL)	72	532 43 56-47	STORMFORCE ETIQUETA-208CC - LQA [SKSN5991.1]
36	532 42 96-01	KIT DE JUNTA DEL MOTOR (208CC)	74	581 76 88-01	PROTECCIÓN TÉRMICA DEL SILENCIADOR (136/208/254)
37	532 42 09-61	VARILLA DE NIVEL PEQUEÑA	77	532 43 26-88	KIT DE PERNOS DE MECANISMO RETRÁCTIL (INCL. (3) PERNOS DE MONTAJE)
38	532 42 96-91	KIT DE BALANCÍN (208CC) (INCL. JUNTA)	78	581 45 93-01	ABRAZADERA DEL TUBO DE RESPIRADERO
39	532 42 92-24	PERILLA DE CONTROL DEL ARRANCADOR (GEN II ROJO)	79	585 77 37-01	CUBIERTA DE CARBURADOR (136CC)
40	532 42 95-98	TAPÓN PLÁSTICO NO EXTRAÍBLE (136/208/254CC)	80	N/A	N/A
42	N/A	N/A	81	585 29 72-01	ARANDELAS ELÁSTICAS DEL VOLANTE MOTOR (5) (5X6X18MM) (208/414CC)
43	580 35 34-01	TUBO DE RESPIRADERO (136/208/254CC)	82	585 02 05-03	208CC/254CC SEPARADOR DE CARBURADOR
47	532 42 49-69	TUBO / VARILLA	85	586 32 56-01	FILTRO DEL TANQUE DE COMBUSTIBLE
47	581 00 72-01	TUBO / VARILLA (SN>1265H051925)	86	586 32 73-01	KIT DE PERNOS DE CULATA (4) (136-179-208-254CC)
48	532 42 92-62	CABLEADO (208CC NIEVE)	87	586 32 69-01	KIT DE PERNOS DE CUBIERTA CC (6) (179-208-254CC)
49	532 43 54-95	TAPÓN DE DRENAJE DE ACEITE CON ARANDELA (136/208/254CC)	88	586 32 68-01	KIT DE ESPÁRRAGOS DE MONTAJE DE SILENCIADOR (2)
50	532 43 65-61	CALENTADOR BOX (208CC)	89	N/A	N/A
51	532 43 71-19	PROTECCIÓN	91	587 52 57-01	KITCIGÜEÑALJUNTA179-208CC
52	532 42 49-49	PERILLA DE CEBADO CON TUBO-NIEVE	9999	586 32 62-01	BOQUILLA PARA GRAN ALTITUD (>6,000 FEET) (208CC L10-1 CARBURADOR)
53	532 42 49-54	INTERRUPTOR DE LLAVE - SEGURIDAD (EMPUJAR/TIRAR) NIEVE (INCL. LLAVES)			
54	532 44 30-59	JUEGO DE LLAVES - ROJO (2)			
55	532 43 26-86	TUBO DE DRENAJE DE ACEITE-NIEVE (136/208CC)			

**NOTA:** Las dimensiones de todos los componentes están expresadas en pulgadas americanas. 1 pulgada = 25,4 mm  
**IMPORTANTE:** Utilice únicamente piezas de repuesto del fabricante de equipos originales (O.E.M.).  
 No hacerlo podría ser peligrosa, dañar su máquina quitanieves y anular su garantía.

---

# AVISO

---

---

# AVISO

---

# **Poulan PRO**