

SONY[®]

Sound Bar

Operating Instructions

US

Mode d'emploi

FR

HT-ST5

Owner's Record

The model and serial numbers are located on the rear of the Bar Speaker. Record the serial numbers in the space provided below. Refer to them whenever you call upon your Sony dealer regarding this product.

Model No. HT-ST5

Serial No. _____

WARNING

To reduce the risk of fire or electric shock, do not expose this apparatus to rain or moisture.

The unit is not disconnected from the mains as long as it is connected to the AC outlet, even if the unit itself has been turned off.

To reduce the risk of fire, do not cover the ventilation opening of the appliance with newspapers, tablecloths, curtains, etc.

Do not expose the appliance to naked flame sources (for example, lighted candles).

To reduce the risk of fire or electric shock, do not expose this appliance to dripping or splashing, and do not place objects filled with liquids, such as vases, on the appliance.

As the main plug is used to disconnect the unit from the mains, connect the unit to an easily accessible AC outlet. Should you notice an abnormality in the unit, disconnect the main plug from the AC outlet immediately.

Do not install the appliance in a confined space, such as a bookcase or built-in cabinet.

Do not expose batteries or appliances with battery-installed to excessive heat, such as sunshine and fire.

Indoor use only.

For the customers in the U.S.A.



This symbol is intended to alert the user to the presence of uninsulated "dangerous voltage" within the product's enclosure that may be of sufficient magnitude to constitute a risk of electric shock to persons.



This symbol is intended to alert the user to the presence of important operating and maintenance (servicing) instructions in the literature accompanying the appliance.

Important Safety Instructions

- 1) Read these instructions.
- 2) Keep these instructions.
- 3) Heed all warnings.
- 4) Follow all instructions.
- 5) Do not use this apparatus near water.
- 6) Clean only with dry cloth.
- 7) Do not block any ventilation openings. Install in accordance with the manufacturer's instructions.
- 8) Do not install near any heat sources such as radiators, heat registers, stoves, or other apparatus (including amplifiers) that produce heat.
- 9) Do not defeat the safety purpose of the polarized or grounding-type plug. A polarized plug has two blades with one wider than the other. A grounding type plug has two blades and a third grounding prong. The wide blade or the third prong are provided for your safety. If the provided plug does not fit into your outlet, consult an electrician for replacement of the obsolete outlet.
- 10) Protect the power cord from being walked on or pinched particularly at plugs, convenience receptacles, and the point where they exit from the apparatus.
- 11) Only use attachments/accessories specified by the manufacturer.

- 12) Use only with the cart, stand, tripod, bracket, or table specified by the manufacturer, or sold with the apparatus. When a cart is used, use caution when moving the cart/apparatus combination to avoid injury from tip-over.



- 13) Unplug this apparatus during lightning storms or when unused for long periods of time.
- 14) Refer all servicing to qualified service personnel. Servicing is required when the apparatus has been damaged in any way, such as power-supply cord or plug is damaged, liquid has been spilled or objects have fallen into the apparatus, the apparatus has been exposed to rain or moisture, does not operate normally, or has been dropped.

The following FCC statement applies only to the version of this model manufactured for sale in the U.S.A. Other versions may not comply with FCC technical regulations.

NOTE:

This equipment has been tested and found to comply with the limits for a Class B digital device, pursuant to Part 15 of the FCC Rules. These limits are designed to provide reasonable protection against harmful interference in a residential installation. This equipment generates, uses and can radiate radio frequency energy and, if not installed and used in accordance with the instructions, may cause harmful interference to radio communications.

However, there is no guarantee that interference will not occur in a particular installation. If this equipment does cause harmful interference to radio or television reception, which can be determined by turning the equipment off and on, the user is encouraged to try to correct the interference by one or more of the following measures:

- Reorient or relocate the receiving antenna.
- Increase the separation between the equipment and receiver.
- Connect the equipment into an outlet on a circuit different from that to which the receiver is connected.
- Consult the dealer or an experienced radio/TV technician for help.

Properly shielded and grounded cables and connectors must be used for connection to host computers and/or peripherals in order to meet FCC emission limits.

CAUTION

You are cautioned that any changes or modifications not expressly approved in this manual could void your authority to operate this equipment.

This equipment must not be co-located or operated in conjunction with any other antenna or transmitter.

This equipment complies with FCC radiation exposure limits set forth for an uncontrolled environment and meets the FCC radio frequency (RF) Exposure Guidelines. This equipment should be installed and operated keeping the radiator at least 20cm or more away from person's body (excluding extremities: hands, wrists, feet and ankles).

Compliance with FCC requirement 15.407(c)

Data transmission is always initiated by software, which is the passed down through the MAC, through the digital and analog baseband, and finally to the RF chip. Several special packets are initiated by the MAC. These are the only ways the digital baseband portion will turn on the RF transmitter, which it then turns off at the end of the packet. Therefore, the transmitter will be on only while one of the aforementioned packets is being transmitted. In other words, this device automatically discontinues transmission in case of either absence of information to transmit or operational failure.

Frequency Tolerance: ± 20 ppm or less

5.15 - 5.25 GHz band is restricted to indoor operations only.

For the customers in Canada

Properly shielded and grounded cables and connectors must be used for connection to host computers and/or peripherals.

This device complies with Industry Canada licence-exempt RSS standard(s).

Operation is subject to the following two conditions:

(1) this device may not cause interference, and (2) this device must accept any interference, including interference that may cause undesired operation of the device.

This equipment complies with IC radiation exposure limits set forth for an uncontrolled environment and meets RSS-102 of the IC radio frequency (RF) Exposure rules. This equipment should be installed and operated keeping the radiator at least 20cm or more away from person's body (excluding extremities: hands, wrists, feet and ankles).

5.15 - 5.25 GHz band is restricted to indoor operations only.

Table of contents

Useful functions

Modifying the angle of the Bar Speaker	6
Mounting the Bar Speaker on a wall	7
Enabling the IR repeater function (when you cannot control the TV)	8
Enabling the Secure Link function	9
Using the Control for HDMI function	11
Using "BRAVIA" Sync features	12
Controlling the system using a smartphone or tablet device (SongPal)	13
Adjusting the settings	15

Miscellaneous

Precautions	18
BLUETOOTH wireless technology	20
Troubleshooting	21
Parts and controls	24
Specifications	27

Refer to the supplied Startup Guide for setup and basic operations.

Useful functions

Modifying the angle of the Bar Speaker

You can modify the angle of the Bar Speaker by detaching the stands on the bottom of the Bar Speaker.

You can detach the stands on the bottom of the Bar Speaker with the following step.

Note

When you mount the Bar Speaker on the wall, detach the stands beforehand.

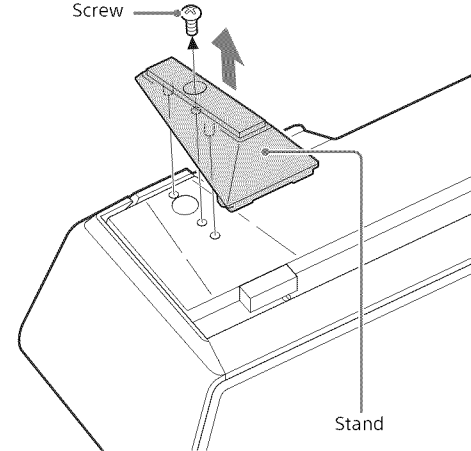
Tip

When you place the Bar Speaker in a flat position above eye level, detaching the stands will ensure proper sound orientation.

Remove the screws fixing the stands from the bottom of the Bar Speaker.

The stands are attached to both sides of the bottom of the Bar Speaker.

To detach the stands, remove the stand screws with a screwdriver.



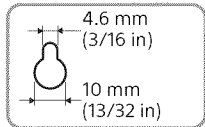
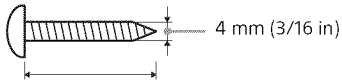
Mounting the Bar Speaker on a wall

You can mount the Bar Speaker on a wall.

Notes

- When you mount the Bar Speaker on the wall, detach the stands beforehand (page 6).
- Prepare screws (not supplied) that are suitable for the wall material and strength. As a plasterboard wall is especially fragile, attach the screws securely to two studs in the wall beam. Install the Bar Speaker horizontally, hung by screws in studs in a continuous flat section of the wall.
- Be sure to subcontract the installation to Sony dealers or licensed contractors and pay special attention to safety during the installation.
- Sony shall not be held responsible for accidents or damage caused by improper installation, insufficient wall strength, improper screw installation or natural calamity, etc.

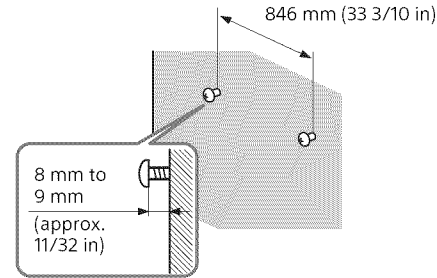
1 Prepare screws (not supplied) that are suitable for the holes on the rear of the Bar Speaker.



Hole on the rear of the Bar Speaker

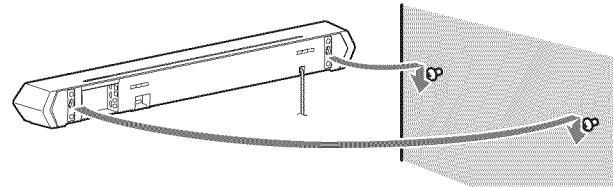
2 Fasten the screws to two studs in the wall.

The screws should protrude by 8 mm to 9 mm (approx. 11/32 in).



3 Hang the Bar Speaker on the screws.

Align the holes at the rear of the Bar Speaker with the screws, then hang the Bar Speaker on the two screws.

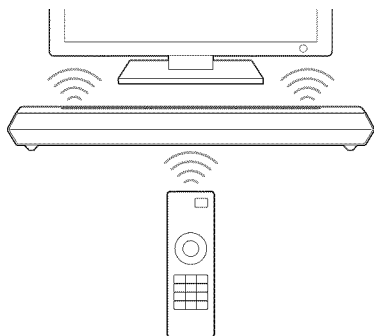


Note

When you use an HDMI IN 3 jack of the wall-mounted Bar Speaker, connect the swivel-type High Speed HDMI cable.

Enabling the IR repeater function (when you cannot control the TV)

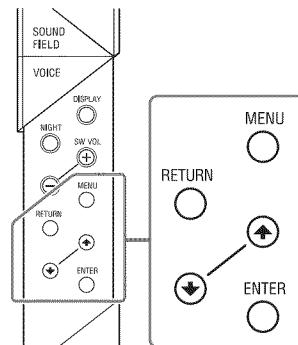
When the Bar Speaker obstructs the remote control sensor of the TV, the TV remote control may not work. In that case, enable the IR repeater function of the system. You can control the TV with the remote control of the TV by sending the remote signal from the rear of the Bar Speaker.



Note

Be sure to check that the remote control of the TV cannot control the TV, then set "IR REP." to "ON." If it is set to "ON" when the remote control can control the TV, appropriate operation may not be obtained, because of the interference between the direct command from the remote control and the command via the Bar Speaker.

- 1 Press the MENU button on the remote control of the system.



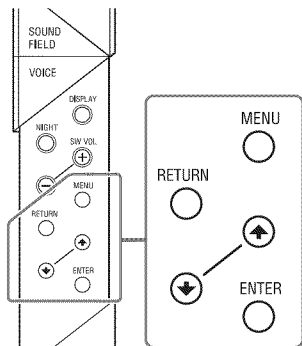
- 2 Select "SYSTEM" with the ↑ ↓ (select) buttons then press the ENTER button.
- 3 Select "IR REP." with the ↑ ↓ (select) buttons then press the ENTER button.
- 4 Select "ON" with the ↑ ↓ (select) buttons then press the ENTER button.
- 5 Press the MENU button.
The menu goes off.

Note

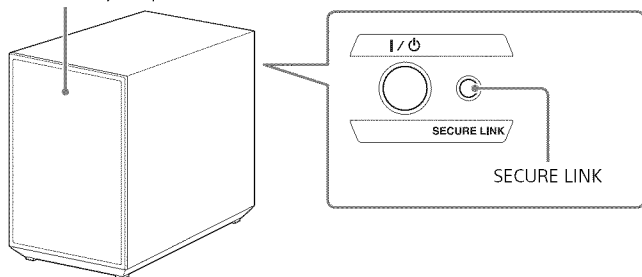
On some TVs, this function may not work correctly. In this case, place the Bar Speaker slightly further away from the TV.

Enabling the Secure Link function

You can specify the wireless connection to be used to link the Bar Speaker to the subwoofer using the Secure Link function. This function is useful when you use multiple wireless products.



On/standby lamp



- 1 Press the MENU button on the remote control.**
- 2 Select "WS" with the ↑ ↓ (select) buttons then press the ENTER button.**
- 3 Select "SEC. ON" with the ↑ ↓ (select) buttons then press the ENTER button.**
- 4 When "START" appears, press the ENTER button.**
"SEARCH" appears, and the system seeks equipment usable with Secure Link.
Proceed to the next step within 2 minutes.
To quit the Secure Link function during the search for equipment, press the RETURN button.
- 5 Press the SECURE LINK button on the subwoofer with the point of a pen, etc.**
The on/standby lamp on the subwoofer lights in yellow, and "OK" appears on the front panel display of the Bar Speaker.
If "FAILED" appears, make sure that the subwoofer is turned on, and perform the process again from step 1.
- 6 Press the MENU button.**
The menu goes off.

cancelling the Secure Link function

- 1** Press the MENU button on the remote control.
- 2** Select "WS" with the ↑ ↓ (select) buttons then press the ENTER button.
- 3** Select "SEC.OFF" with the ↑ ↓ (select) buttons then press the ENTER button.
- 4** When "OK?" appears, press the ENTER button.
"FINISH" appears on the front panel display.
- 5** Press the MENU button.
The menu goes off.
- 6** Press and hold the SECURE LINK button on the subwoofer for several seconds until the on/standby lamp on the subwoofer turns green or flashes in green.
Be sure to press the SECURE LINK button with the point of a pen, etc.

Using the Control for HDMI function

By using the Control for HDMI function, and connecting equipment that is compatible with the Control for HDMI function via a High Speed HDMI cable, operation is simplified with the features below. The Control for HDMI function is enabled by setting "CTRL (Control for HDMI)" to "ON" (page 16). The default setting is "ON."

System Power Off

When you turn off the TV, the system and the connected equipment will turn off automatically.

System Audio Control

If you turn on the system while you are watching the TV, the TV sound will be output from the speakers of the system automatically. The volume of the system will be adjusted when you adjust the volume using the TV's remote control.

If the TV sound was output from the speakers of the system the last time you watched the TV, the system will be turned on automatically when you turn on the TV again.

Audio Return Channel (ARC)

If the TV is compatible with the Audio Return Channel (ARC) technology, a High Speed HDMI cable connection will also allow sending digital audio signals from the TV to the system. You do not need to make a separate audio connection for listening to TV sound from the system.

The ARC function is enabled by setting "ARC (Audio return channel)" to "ON" (page 16). The default setting is "ON."

One-Touch Play

When you activate the equipment (Blu-ray Disc™ player, "PlayStation®4," etc.) connected to the system with a High Speed HDMI cable, the connected TV is turned on automatically and the input signal of the system is switched to the appropriate HDMI input.

Notes

- The above features may not operate with certain equipment.
- Depending on the settings of the connected equipment, the Control for HDMI function may not work correctly. Refer to the operating instructions of the equipment.

Using "BRAVIA" Sync features

The original Sony functions listed below can also be used with products that are compatible with "BRAVIA" Sync.

Power save

If a "BRAVIA" Sync-compatible TV is connected to the system, the power consumption will be reduced in standby mode by stopping HDMI signal transmission when the TV is turned off with the pass-through function* (P. THRU (Pass through)) of the system set to "AUTO" (page 16).

The default setting is "AUTO."

If any TV other than "BRAVIA" is connected, set the item to "ON" (page 16).

* The pass-through function for HDMI signals is used to output the signals from the HDMI OUT jack of this system even if it is in standby mode.

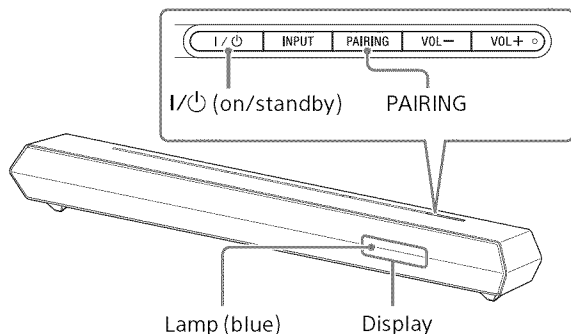
Notes on HDMI connections

- Use a High Speed HDMI cable. If you use a Standard HDMI cable, 1080p, Deep Color, 3D, and 4K images may not be displayed properly.
- Use an HDMI-authorized cable.
Use a Sony High Speed HDMI cable with the Cable Type Logo.
- We do not recommend using an HDMI-DVI conversion cable.
- Check the setup of the connected equipment if an image is poor or the sound does not come out of the equipment connected via the HDMI cable.
- Audio signals (sampling frequency, bit length, etc.) transmitted from an HDMI jack may be suppressed by the connected equipment.

- Sound may be interrupted when the sampling frequency or the number of channels of audio output signals from the playback equipment is switched.
- If the connected equipment is not compatible with copyright-protection technology (HDCP), the image and/or the sound from the HDMI OUT jack of this system may be distorted or may not be output. In such a case, check the specifications of the connected equipment.
- When "TV" is selected as the input source of the system, video signals via one of the HDMI IN 1/2/3 jacks selected last time are output from the HDMI OUT jack.
- This system supports Deep Color, "x.v.Color," 3D, and 4K transmission.
- To enjoy 3D images, connect a 3D-compatible TV and video equipment (Blu-ray Disc player, "PlayStation®4," etc.) to the system using High Speed HDMI cables, put on 3D glasses, and then play back a 3D-compatible Blu-ray Disc, etc.
- To enjoy 4K images, the TV and players that are connected to the system must be compatible with 4K images.

Controlling the system using a smartphone or tablet device (SongPal)

"SongPal" is the application to operate the system with your smartphone or tablet, etc.
"SongPal" is available from either Google Play™ or the App Store.
This function is enabled by setting "BT PWR (BLUETOOTH power)" to "ON" (page 16). The default setting is "ON."



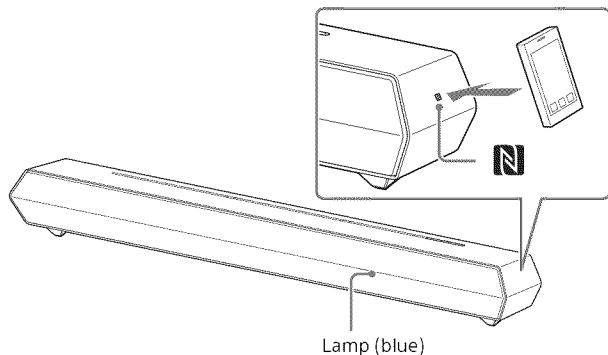
When using an Android™ device

- 1 Press the I/O (on/standby) button on the Bar Speaker.**
The display of the Bar Speaker lights.
- 2 Search for "SongPal" with the Android device and download that application.**
- 3 Run "SongPal" then follow the on-screen instructions.**
- 4 After the BLUETOOTH connection display appears on the Android device, press the PAIRING button on the Bar Speaker.**
The lamp (blue) flashes quickly during BLUETOOTH pairing.
- 5 Select "SONY:HT-ST5" from the BLUETOOTH device list of the Android device.**
When the connection has been established, the lamp (blue) of the Bar Speaker lights.
- 6 Operate the system with the display of the connected Android device.**

One-Touch connection using the Android device with the NFC function built-in (NFC)

- 1 Perform steps 1 to 3 of "When using an Android device."
- 2 After the BLUETOOTH connection display appears on the Android device, touch the Android device with the N mark on the right side of the Bar Speaker.

When the connection has been established, the lamp (blue) of the Bar Speaker lights.



- 3 Operate the system with the display of the Android device.

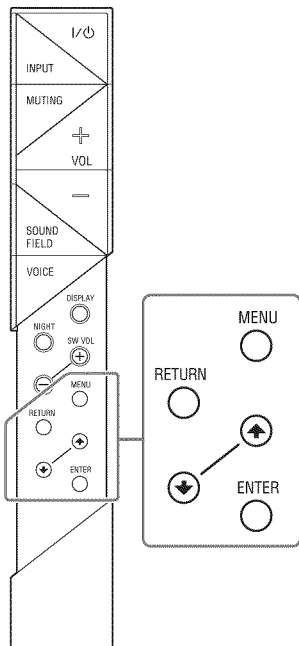
When using an iPhone/iPod touch

- 1 Press the I/⏻ (on/standby) button on the Bar Speaker.
The display of the Bar Speaker lights.
- 2 Press the PAIRING button on the Bar Speaker.
The lamp (blue) of the Bar Speaker flashes quickly during BLUETOOTH pairing.
- 3 Set the iPhone/iPod touch to pairing mode and select "SONY:HT-ST5" from the BLUETOOTH device list on the iPhone/iPod touch.
When the connection has been established, the lamp (blue) of the Bar Speaker lights.
- 4 Search for "SongPal" with the connected iPhone/iPod touch and download that application.
- 5 Run "SongPal" then operate the system with the display of the iPhone/iPod touch.

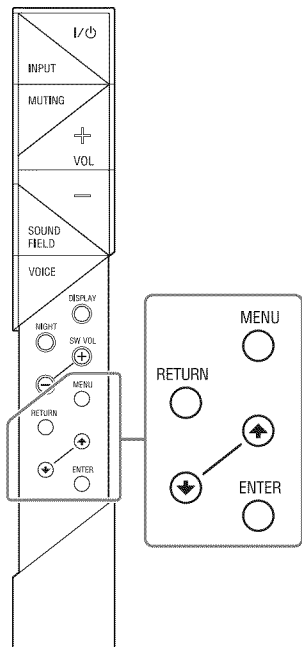
Adjusting the settings

You can set the following items with the MENU button on the remote control.
Your settings are retained even if you disconnect the AC power cord (mains lead).

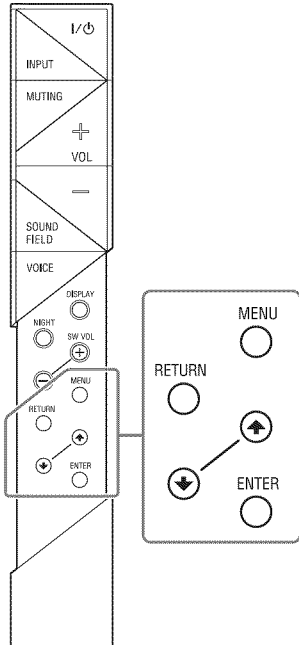
- 1 Press the MENU button on the remote control to display the setting menu on the display of the Bar Speaker.
- 2 Select the desired setting with the following operation:
 - ↑ ↓: Select the setting item.
 - ENTER: Shifts to the lower level menu, or enters the displayed setting.
 - RETURN: Returns to the upper level menu.
- 3 Press the MENU button to exit the menu.



Menu		Function	Default
LEVEL	DRC (Dynamic range control)	You can enjoy Dolby Digital sound at low sound volumes. (ON/AUTO/OFF) ON: Compresses sound in accordance with the compression information contained in the content. AUTO: Automatically compresses sound encoded in Dolby TrueHD. OFF: Sound is not compressed.	AUTO
	SYNC (AV sync)	You can adjust the sound when the image and the sound are not in sync. (1-4/OFF)	OFF
AUDIO	DUAL (Dual mono)	You can enjoy multiplex broadcast sound of Dolby Digital audio. (M/S /MAIN/SUB) M/S: Main and sub channels MAIN: Main channel SUB: Sub channel	MAIN
	HEQ (Harmonics equalizer)	Reproduces the very low volume sounds. (ON/OFF) Note: The HEQ function only works when the SOUND FIELD setting is set to "MUSIC" and either "ANALOG" or "BT AU" is selected as the input. This does not function with any other inputs, even though the item may be displayed on the front panel.	ON
	AAV (Advanced auto volume)	Reduces the volume discrepancies between different programs or between programs and commercials. (ON/OFF) Note: When the SOUND FIELD setting is set to "FOOTBALL," "AAV (Advanced auto volume)" may not work.	OFF



Menu		Function	Default
HDMI	CTRL (Control for HDMI)	To switch the Control for HDMI function on or off. (ON/OFF) Refer to "Using the Control for HDMI function" (page 11) for details.	ON
	P. THRU (Pass through)	To set the power saving mode of the pass-through function for HDMI signals. (AUTO/ON) AUTO: Outputs signals from the HDMI OUT jack of the system in standby mode according to the status of the TV. This setting saves power in standby mode compared with the "ON" setting. ON: Always outputs signals from the HDMI OUT jack in standby mode. If any TV other than "BRAVIA" is connected, use the system with the "ON" setting. Note: This item appears only when "CTRL (Control for HDMI)" is set to "ON."	AUTO
	ARC (Audio return channel)	To listen to digital sound from a TV compatible with the Audio Return Channel (ARC) technology that is connected using a High Speed HDMI cable. (ON/OFF) Note: This item appears only when "CTRL (Control for HDMI)" is set to "ON."	ON
SET BT	BT PWR (BLUETOOTH power)	To switch the BLUETOOTH function of this system on and off. (ON/OFF) Note: If you change the setting to "OFF," the BLUETOOTH function and the NFC function become disabled.	ON
	BT.STBY (BLUETOOTH standby)	When the system has pairing information, the system is in the BLUETOOTH standby mode even when it is turned off. (ON/OFF)	ON
	AAC (Advanced audio coding)	To set whether or not the system will use AAC via BLUETOOTH. (ON/OFF) Note: If you change the setting when the system is connected with a BLUETOOTH device, the system will be disconnected from the device.	ON
	APT X (aptX)	To set whether or not the system will use aptX via BLUETOOTH. (ON/OFF) Note: If you change the setting when the system is connected with a BLUETOOTH device, the system will be disconnected from the device.	ON



Menu	Function	Default	
SYSTEM	A. STBY (Auto standby)	To switch the AUTO POWER OFF function on or off. (ON/OFF) The system turns off automatically when no operation has been made within a certain period (about 20 minutes) and the system is not receiving an input signal.	ON
	IR REP. (IR repeater)	Enables the system to relay the signal from a remote control to the TV. (ON/OFF) Refer to "Enabling the IR repeater function" (page 8) for details.	OFF
	VER (Version)	To display the current firmware version.	-
	SYS.RST (System cold reset)	To reset menus and settings (sound fields, etc.) of the system to the initial status when it does not work properly. Refer to "Troubleshooting" (page 23) for details.	-
WS	SEC. ON/SEC.OFF (Secure link on/ Secure link off)	When the Secure Link connection is not established, "SEC. ON" appears. SEC. ON: Allows you to link the specified Bar Speaker and subwoofer when there are several wireless sound devices within range. When the Secure Link connection is established, "SEC.OFF" appears. SEC.OFF: Releases the Secure Link setting. Refer to "Enabling the Secure Link function" (page 9) for details.	-
	BAND (Band mode select)	To switch the system frequency band mode between 5.2 and 5.8 GHz bands. (AUTO/5.2GHz/5.8GHz) Note: This item only appears when regions correspond to both 5.2 and 5.8 GHz frequency bands.	AUTO
	LNK.CHK (Link check)	To check whether the wireless sound system of the system can connect or not. (OK/NG)	-

Precautions

On safety

- Should any solid object or liquid fall into the system, unplug the system and have it checked by qualified personnel before operating it any further.
- Do not climb on the Bar Speaker and subwoofer, as you may fall down and injure yourself, or system damage may result.

On power sources

- Before operating the system, check that the operating voltage is identical to your local power supply. The operating voltage is indicated on the nameplate at the rear of the Bar Speaker.
- If you are not going to use the system for a long time, be sure to disconnect the system from the wall outlet (mains). To disconnect the AC power cord (mains lead), grasp the plug itself; never pull the cord.
- One blade of the plug is wider than the other for the purpose of safety and will fit into the wall outlet (mains) only one way. If you are unable to insert the plug fully into the outlet, contact your dealer.
- AC power cord (mains lead) must be changed only at a qualified service shop.

On heat buildup

Although the system heats up during operation, this is not a malfunction. If you continuously use this system at high volume, the system temperature at the rear and bottom rises considerably. To avoid burning yourself, do not touch the system.

On placement

- Place the system in a location with adequate ventilation to prevent heat buildup and prolong the life of the system.
- Do not place the system near heat sources or in a place subject to direct sunlight, excessive dust, or mechanical shock.

- Do not place anything at the rear of the Bar Speaker and subwoofer that might block the ventilation holes and cause malfunctions.
- If the system is being used in combination with a TV, VCR, or tape deck, noise may result and picture quality may suffer. In such a case, place the system away from the TV, VCR, or tape deck.
- Use caution when placing the system on a surface that has been specially treated (with wax, oil, polish, etc.), as staining or discoloration of the surface may result.
- Take care to avoid any possible injury from the corners of the Bar Speaker and subwoofer.

On operation

Before connecting other equipment, be sure to turn off and unplug the system.

If you encounter color irregularity on a nearby TV screen

Color irregularities may be observed on certain types of TV sets.

If color irregularity is observed...

Turn off the TV set, then turn it on again after 15 to 30 minutes.

If color irregularity is observed again...

Place the system further away from the TV set.

On cleaning

Clean the system with a soft, dry cloth. Do not use any type of abrasive pad, scouring powder, or solvent such as alcohol or benzene.

If you have any question or problem concerning your system, please consult your nearest Sony dealer.

Copyrights

This system incorporates Dolby* Digital and the DTS** Digital Surround System.

- * Manufactured under license from Dolby Laboratories. Dolby, and the double-D symbol are trademarks of Dolby Laboratories.
- ** For DTS patents, see <http://patents.dts.com>. Manufactured under license from DTS Licensing Limited. DTS, DTS-HD, the Symbol, & DTS and the Symbol together are registered trademarks, and DTS-HD Master Audio is a trademark of DTS, Inc. © DTS, Inc. All Rights Reserved.

The BLUETOOTH® word mark and logos are registered trademarks owned by Bluetooth SIG, Inc. and any use of such marks by Sony Corporation is under license.

This system incorporates High-Definition Multimedia Interface (HDMI™) technology.

The terms HDMI and HDMI High-Definition Multimedia Interface, and the HDMI Logo are trademarks or registered trademarks of HDMI Licensing LLC in the United States and other countries.

The N Mark is a trademark or registered trademark of NFC Forum, Inc. in the United States and in other countries.

Android and Google Play are trademarks of Google Inc.

© 2013 CSR plc and its group companies.

The aptX® mark and the aptX logo are trade marks of CSR plc or one of its group companies and may be registered in one or more jurisdictions.

Apple, the Apple logo, iPhone, iPod, and iPod touch are trademarks of Apple Inc., registered in the U.S. and other countries. App Store is a service mark of Apple Inc.



"Made for iPod," and "Made for iPhone" mean that an electronic accessory has been designed to connect specifically to iPod or iPhone, respectively, and has been certified by the developer to meet Apple performance standards. Apple is not responsible for the operation of this device or its compliance with safety and regulatory standards. Please note that the use of this accessory with iPod or iPhone may affect wireless performance.

Compatible iPod/iPhone models

The compatible iPod/iPhone models are as follows. Update your iPod/iPhone with the latest software before using with the system.

BLUETOOTH technology works with:

- iPhone
 - iPhone 5s/iPhone 5c/iPhone 5/iPhone 4s/iPhone 4/iPhone 3GS
- iPod touch
 - iPod touch (5th generation)/iPod touch (4th generation)

"BRAVIA" logo is a trademark of Sony Corporation.

"ClearAudio+" is a trademark of Sony Corporation.

"x.v.Color" and "x.v.Color" logo are trademarks of Sony Corporation.

"PlayStation®" is a registered trademark of Sony Computer Entertainment Inc.

Other trademarks and trade names are those of their respective owners.

BLUETOOTH wireless technology

Supported BLUETOOTH version and profiles

Profile refers to a standard set of functions for various BLUETOOTH product features. Refer to “Specifications” (page 27) for the BLUETOOTH version and profiles supported by this system.

Notes

- To use the BLUETOOTH function, the BLUETOOTH device to be connected must support the same profile as this system. Even if the device supports the same profile, the functions may differ because of the specifications of the BLUETOOTH device.
- Audio playback on this system may be delayed from that on the BLUETOOTH device because of the characteristics of the BLUETOOTH wireless technology.

Effective communication range

BLUETOOTH devices should be used within approximately 10 meters (33 feet) (unobstructed distance) of each other. The effective communication range may become shorter under the following conditions;

- When a person, metal object, wall or other obstruction is between devices with a BLUETOOTH connection
- Locations where a wireless LAN is installed
- Around microwave ovens that are in use
- Locations where other electromagnetic waves are generated

Effects of other devices

BLUETOOTH devices and wireless LAN (IEEE 802.11b/g) equipment use the same frequency band (2.4 GHz). When using your BLUETOOTH device near a device with wireless LAN capability, electromagnetic interference may occur.

This could result in lower data-transfer rates, noise, or inability to connect. If this happens, try the following remedies:

- Connect this system and BLUETOOTH mobile phone or BLUETOOTH device when you are at least 10 meters (33 feet) away from the wireless LAN equipment.

- Turn off the power to the wireless LAN equipment when using your BLUETOOTH device within 10 meters (33 feet).

Effects on other devices

The radio waves broadcast by this system may interfere with the operation of some medical devices. Since this interference may result in malfunction, always turn off the power to this system, BLUETOOTH mobile phone and BLUETOOTH device in the following locations:

- In hospitals, on trains or airplanes, at gas stations, and any place where flammable gasses may be present
- Near automatic doors or fire alarms

Notes

- This system supports security functions that comply with the BLUETOOTH specification as a means of ensuring security during communication using BLUETOOTH technology. However, this security may be insufficient, depending on the settings and other factors. So always be careful when performing communication using BLUETOOTH technology.
- Sony shall not be held liable in any way for damages or other loss resulting from information leaks during communication using BLUETOOTH technology.
- BLUETOOTH communication is not necessarily guaranteed with all BLUETOOTH devices that have the same profile as this system.
- BLUETOOTH devices connected with this system must comply with the BLUETOOTH specification prescribed by the Bluetooth SIG, Inc., and must be certified to comply. However, even when a device complies with the BLUETOOTH specification, there may be cases where the characteristics or specifications of the BLUETOOTH device make it impossible to connect or may result in different control methods, display, or operation.
- Noise may occur or the audio may cut off, depending on the BLUETOOTH device connected with this system, the communications environment, or surrounding conditions.

Troubleshooting

If you experience any of the following difficulties while using the system, use this troubleshooting guide to help remedy the problem before requesting repairs. Should any problem persist, consult your nearest Sony dealer. Be sure to bring both your Bar Speaker and subwoofer, even if it seems as though only one has a problem, when you request to repair.

POWER

The system does not power up.

- Check that the AC power cord (mains lead) is connected securely.
- Disconnect the AC power cord (mains lead) from the wall outlet (mains), then reconnect after several minutes.

The system is turned off automatically.

- The "A. STBY" function is working. Set "A. STBY (Auto standby)" to "OFF" (page 17).

SOUND

No TV sound is output from the system.

- Repeatedly press the INPUT button on the remote control to display "TV" in the display (refer to "Listening to the audio of the TV" in the supplied Startup Guide).
- Check the connection of the HDMI cable, optical digital cable, or audio cable that is connected to the system and the TV (refer to "Connection" in the supplied Startup Guide).
- Check the sound output of the TV. Refer to the operating instructions of the TV for the TV settings.
- Increase the volume on the TV or cancel muting.
- When a TV compatible with the Audio Return Channel (ARC) technology is connected with an HDMI cable, make sure the cable is connected to the HDMI input (ARC) terminal of the TV (refer to "Connection" in the supplied Startup Guide).
- If the TV is not compatible with the Audio Return Channel (ARC) technology, connect the optical digital cable in addition to the HDMI cable in order to output sound (refer to "Connection" in the supplied Startup Guide).

The sound is output from both the system and the TV.

- Turn off the sound of the system or the TV.

The TV sound from this system lags behind the image.

- Set "SYNC (AV sync)" to "OFF" if it is set to the range between "1" and "4" (page 15).

No sound or only a very low-level sound of the equipment connected to the Bar Speaker is heard from the Bar Speaker.

- Press the VOL + button on the remote control and check the volume level (refer to "Parts and controls" (page 26)).
- Press the MUTING or VOL + button on the remote control to cancel the muting function (refer to "Parts and controls" (page 26)).
- Make sure the input source is selected correctly. You should try other input sources by pressing the INPUT button on the remote control several times (refer to "Listening to the sound" in the supplied Startup Guide).
- Check that all the cables and cords of the system and the connected equipment are firmly inserted.

No sound or only a very low-level sound is heard from the subwoofer.

- Press the SW VOL + button on the remote control to increase the subwoofer volume (refer to "Parts and controls" (page 26)).
- Make sure that the on/standby lamp on the subwoofer is lit in green. If not, refer to "No sound is heard from the subwoofer." in "WIRELESS SOUND" (page 22).
- A subwoofer is for reproducing bass sound. In the case of input sources that contain very little bass sound components (i.e., a TV broadcast), the sound from the subwoofer may be difficult to hear.
- When you play content compatible with copyright protection technology (HDCP), it is not output from the subwoofer.

The surround effect cannot be obtained.

- Depending on the input signal and the sound field setting, surround sound processing may not work effectively. The surround effect may be subtle, depending on the program or disc.
- To play multi channel audio, check the digital audio output setting on the device connected to the system. For details, refer to the operating instructions supplied with the connected equipment.

BLUETOOTH

BLUETOOTH connection cannot be completed.

- Make sure that the lamp (blue) of the Bar Speaker is lit (refer to “Listening to the sound from BLUETOOTH devices” in the supplied Startup Guide).

System status	Lamp (blue) status
During BLUETOOTH pairing	Flashes quickly
The system is attempting to connect with a BLUETOOTH device	Flashes
The system has established connection with a BLUETOOTH device	Lit
The system is in BLUETOOTH standby mode (when the system is off)	Unlit

- Make sure the BLUETOOTH device to be connected is turned on and the BLUETOOTH function is enabled.
- Bring this system and the BLUETOOTH device closer together.
- Pair this system and the BLUETOOTH device again. You may need to cancel the pairing with this system using your BLUETOOTH device first.
- Set “BT PWR (BLUETOOTH power)” to “ON” if it is set to “OFF” (page 16).

Pairing cannot be achieved.

- Bring this system and the BLUETOOTH device closer together (refer to “Listening to the sound from BLUETOOTH devices” in the supplied Startup Guide).
- Make sure this system is not receiving interference from a wireless LAN equipment, other 2.4 GHz wireless devices, or a microwave oven. If a device that generates electromagnetic radiation is nearby, move the device away from this system.

No sound is output from the connected BLUETOOTH device.

- Make sure that the lamp (blue) of the Bar Speaker is lit (refer to “Listening to the sound from BLUETOOTH devices” in the supplied Startup Guide).
- Start this system and the BLUETOOTH device closer together.
- If a device that generates electromagnetic radiation, such as a wireless LAN equipment, other BLUETOOTH devices, or a microwave oven is nearby, move the device away from this system.

- Remove any obstacle between this system and the BLUETOOTH device or move this system away from the obstacle.
- Reposition the connected BLUETOOTH device.
- Switch the wireless LAN frequency of any nearby Wi-Fi router or personal computer to 5 GHz range.
- Increase the volume on the connected BLUETOOTH device.

The sound is not in sync with the image.

- When you are watching movies, you may hear the sound with a slight delay from the image.

WIRELESS SOUND

No sound is heard from the subwoofer.

- Check that the AC power cord (mains lead) of the subwoofer is connected properly. (Refer to “Turning on the system” in the supplied Startup Guide.)
- The on/standby lamp of the Bar Speaker does not light.
 - Check that the AC power cord (mains lead) of the subwoofer is connected properly.
 - Press the I/⏻ (on/standby) button of the subwoofer to turn on the power.
- The on/standby lamp of the Bar Speaker flashes slowly in green or lights in red.
 - Move the subwoofer to a location near the Bar Speaker so that the on/standby lamp of the Bar Speaker lights in green.
 - Follow the steps in “Enabling the Secure Link function” (page 9).
 - Check the connection status of the wireless sound system with the “LNK.CHK” of the menu (page 17).
- The on/standby lamp of the Bar Speaker flashes quickly in green.
 - Consult your nearest Sony dealer.
- The on/standby lamp of the Bar Speaker flashes in red.
 - Press the I/⏻ (on/standby) button of the subwoofer to turn off the power and check whether the ventilation opening of the subwoofer is blocked or not.
- The subwoofer is designed for playback of bass sound. When the input source does not contain much of bass sound, as is the case with most TV programs, the bass sound may not be audible.
- Press the SW VOL + button on the remote control to increase the volume of the subwoofer (refer to “Parts and controls” (page 26)).

Sound skips or has noise.

- If there is a device nearby that generates electromagnetic waves like a wireless LAN or an electronic oven in use, locate the system apart from it.
- If there is an obstacle between the Bar Speaker and the subwoofer, move or remove it.
- Locate the Bar Speaker and the subwoofer as close as possible.
- Switch the wireless LAN frequency of any nearby Wi-Fi router or personal computer to 2.4 GHz range.
- Switch the LAN connection of the TV or Blu-ray Disc player from wireless to wired.

REMOTE CONTROL**The remote control of this system does not function.**

- Point the remote control at the remote control sensor on the Bar Speaker (refer to "Parts and controls" (page 24)).
- Remove any obstacles in the path between the remote control and the system.
- Replace both batteries in the remote control with new ones, if they are weak.
- Make sure you are pressing the correct button on the remote control.

TV remote control does not work.

- This problem might be solved by enabling the IR repeater function (page 8).

OTHERS**The Control for HDMI function does not work properly.**

- Check the HDMI connection (refer to "Connection" in the supplied Startup Guide).
- Set up the Control for HDMI function on the TV. Refer to the operating instructions supplied with the TV for TV setting.
- Make sure that any equipment connected is compatible with "BRAVIA" Sync.
- Check the Control for HDMI settings on the connected equipment. Refer to the operating instructions supplied with the connected equipment.
- If you connect/disconnect the AC power cord (mains lead), wait more than 15 seconds before operating the system.

- If you connect the audio output of video equipment with the system, using a cable other than an HDMI cable, no sound may be output because of "BRAVIA" Sync. In such a case, set "CTRL (Control for HDMI)" to "OFF" (page 16) or connect the cable from the audio output jack of the video equipment directly to the TV.

"PTECT (protect)" appears on the display of the Bar Speaker.

- Press the I/⏻ (on/standby) button to turn off the system. After the lamp disappears, disconnect the AC power cord (mains lead) then ensure nothing is obstructing the ventilation holes of the system.

Sensors of the TV do not work properly.

- The Bar Speaker may block some sensors (such as the brightness sensor) and the remote control receiver of your TV, or the "emitter for 3D glasses (infrared transmission)" of a 3D TV that supports the infrared 3D glass system. Move the Bar Speaker away from the TV within a range that allow those parts to operate properly. For the locations of the sensors and remote control receiver, refer to the operating instructions supplied with the TV.

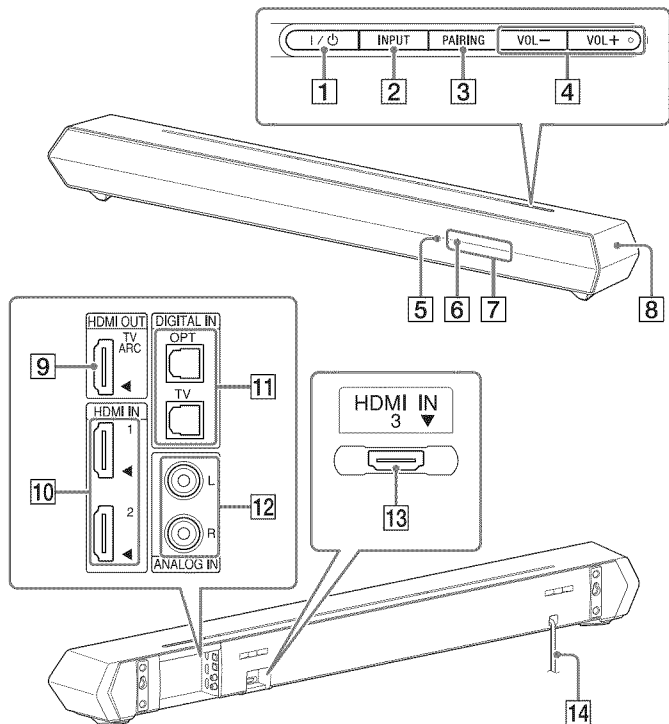
RESET

If the system still does not operate properly, reset the system as follows:

- 1** Press the I/⏻ (on/standby) button on the remote control to turn the Bar Speaker on.
- 2** Press the MENU button on the remote control.
- 3** Press the ↑ ↓ (select) button repeatedly until "SYSTEM" appears, then press the ENTER button.
- 4** Press the ↑ ↓ (select) button repeatedly until "SYS.RST" appears, then press the ENTER button (page 17).
- 5** Press the ENTER button after displaying "START." "RESET" appears on the display, and the settings of the menu and sound fields, etc. return to their initial statuses.
- 6** Disconnect the AC power cord (mains lead) after "RESET" disappears from the display.

Parts and controls

Bar Speaker



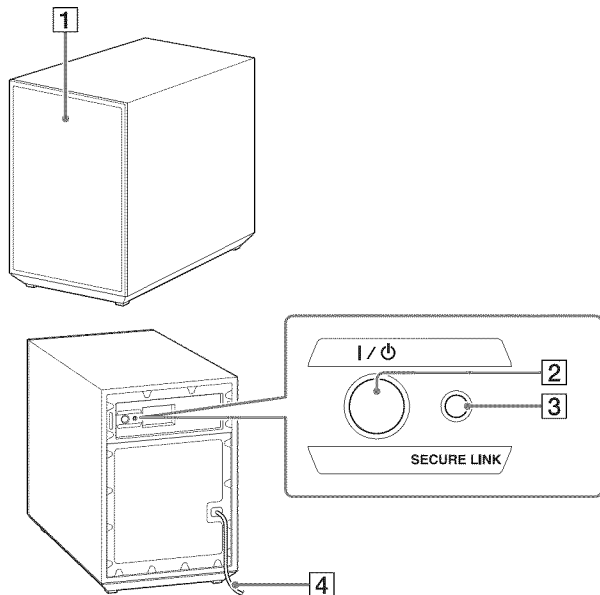
Front/Top

- 1 I/⏻ (on/standby) button
- 2 INPUT button
- 3 PAIRING button
- 4 VOL (volume) +/- buttons
- 5 Remote control sensor
- 6 Lamp
 - Lit (white): Power is on and the display is "Off."
 - Flashes quickly (blue): During BLUETOOTH pairing.
 - Flashes (blue): Attempting to connect with a BLUETOOTH device.
 - Lit (blue): BLUETOOTH connection established.
- 7 Display
- 8 N mark
 - When using the NFC function, touch your NFC device to the mark.

Rear

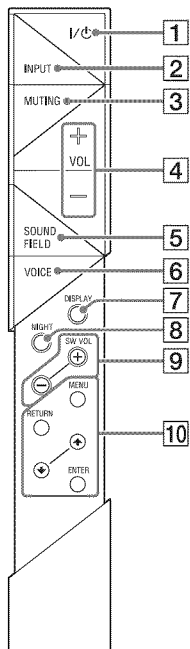
- 9 HDMI OUT (TV ARC) jack
- 10 HDMI IN 1/2 jacks
- 11 DIGITAL IN (OPT/TV) jacks
- 12 ANALOG IN (L/R) jacks
- 13 HDMI IN 3 jack
 - When you use an HDMI IN 3 jack of the wall-mounted Bar Speaker, connect the swivel-type High Speed HDMI cable.
- 14 AC power cord (mains lead)

Subwoofer



- 1 On/standby lamp**
 - Lit (red): Power is off.
 - Lit (green): Power is on.
 - Lit (yellow): SECURE LINK connection is established.
- 2 I/⏻ (on/standby) button**
- 3 SECURE LINK button**
- 4 AC power cord (mains lead)**

Remote control



1 I/⏻ (on/standby) button

2 INPUT button

3 MUTING button

4 VOL (volume) +/- buttons

5 SOUND FIELD button*

6 VOICE button*

7 DISPLAY button

The display brightness can be switched.

Bright → Dark → Off

- When the display brightness is set to "Off," the display is turned off after the display shows operation status for several seconds.

- When the setting is changed to "Bright" from "Off," the display shows the audio stream information.

8 NIGHT (night mode) button*

9 SW VOL (subwoofer volume) +/- buttons

Adjusts the volume of the bass sound.

10 MENU/↑ ↓ (select)/ENTER/RETURN buttons

Select the desired setting by pressing the ↑ ↓ (select) buttons then register it by pressing the ENTER button.

* Refer to "Enjoying the sound effects" in the supplied Startup Guide.

Specifications

Bar Speaker (SA-ST5)

Amplifier section

U.S. models:

POWER OUTPUT AND TOTAL HARMONIC DISTORTION:
(FTC)

Front L + Front R:

With 8 ohms loads, both channels driven, from 200 - 20,000 Hz;
rated 15 Watts per channel minimum RMS power, with no more than
1% total harmonic distortion from 250 milliwatts to rated output.

POWER OUTPUT (reference)

Front L/Front R speaker blocks: 40 Watts (per channel at 8 ohms, 1 kHz)
Center speaker block: 40 Watts (per channel at 8 ohms, 1 kHz)

Canadian models:

POWER OUTPUT (rated)

Front L + Front R: 35 W + 35 W
(at 8 ohms, 1 kHz, 1% THD)

POWER OUTPUT (reference)

Front L/Front R speaker blocks: 40 Watts (per channel at 8 ohms, 1 kHz)
Center speaker block: 40 Watts (per channel at 8 ohms, 1 kHz)

Inputs

HDMI IN 1/2/3*
OPTICAL IN (OPT/TV)
ANALOG IN

* These 3 jacks are identical. Using any of them makes no difference.

Output

HDMI OUT (TV ARC)

BLUETOOTH section

Communication system

BLUETOOTH Specification version 3.0

Output

BLUETOOTH Specification Power Class 2

Maximum communication range

Line of sight approx. 10 m (33 ft)¹⁾

Maximum number of devices to be registered
9 devices

Frequency band

2.4 GHz band (2.4000 GHz - 2.4835 GHz)

Modulation method

FHSS (Freq Hopping Spread Spectrum)

Compatible BLUETOOTH profiles²⁾

A2DP 1.2 (Advanced Audio Distribution Profile)

AVRCP 1.3 (Audio Video Remote Control Profile)

Supported Codecs³⁾

SBC⁴⁾, AAC⁵⁾, aptX

Transmission range (A2DP)

20 Hz - 20,000 Hz (Sampling frequency 44.1 kHz)

- 1) The actual range will vary depending on factors such as obstacles between devices, magnetic fields around a microwave oven, static electricity, cordless phone, reception sensitivity, operating system, software application, etc.
- 2) BLUETOOTH standard profiles indicate the purpose of BLUETOOTH communication between devices.
- 3) Codec: Audio signal compression and conversion format
- 4) Subband Codec
- 5) Advanced Audio Coding

Front L/Front R speaker blocks

Speaker system

2-way speaker system, Acoustic suspension

Speaker

Woofers: 60 mm (2 3/8 in) cone type

Tweeter: 20 mm (13/16 in) balanced drive type

Rated impedance

8 ohms

Center speaker block

Speaker system

Full range speaker system, Acoustic suspension

Speaker (5 speakers)

60 mm (2 3/8 in) cone type

Rated impedance

8 ohms

General

Power requirements

120 V AC, 60 Hz

Power consumption

On: 55 W

Standby mode: 0.5 W or less

BLUETOOTH Standby mode: 0.5 W or less

Dimensions (approx.) (w/h/d)

1,030 mm × 120 mm × 120 mm (40 5/8 in × 4 3/4 in × 4 3/4 in) (with stands)

1,030 mm × 101 mm × 116 mm (40 5/8 in × 4 in × 4 5/8 in) (without stands)

Mass (approx.)

6.1 kg (13 lb 7 1/8 oz)

Subwoofer (SA-WST5)

POWER OUTPUT (reference)

100 W (per channel at 4 ohms, 100 Hz)

Speaker system

Subwoofer, Acoustic suspension

Speaker

180 mm (7 1/8 in) cone type

Rated impedance

4 ohms

Power requirements

120 V AC, 60 Hz

Power consumption

On: 30 W

Standby mode: 0.5 W or less

Dimensions (approx.)

242 mm × 355 mm × 407 mm (9 5/8 in × 14 in × 16 1/8 in) (w/h/d)

Mass (approx.)

11 kg (24 lb 4 oz)

Wireless transmitter/receiver section

Communication system

Wireless Sound Specification version 3.0

Frequency band

5.2 GHz (5.180 GHz - 5.240 GHz)

5.8 GHz (5.736 GHz - 5.814 GHz)

Modulation method

DSSS

Digital audio input formats supported by the system

Dolby Digital

DTS-HD Master Audio*

Dolby Digital Plus*

DTS-HD High-Resolution Audio*

Dolby TrueHD*

DTS-HD Low Bit Rate*

DTS

Linear PCM 2ch 48 kHz or less

DTS 96/24

Linear PCM Maximum 7.1ch 192 kHz or less*

* It is possible to input these formats only with HDMI connection.

Video formats supported by the system

Input/Output (HDMI Repeater block)

Format	2D	3D		
		Frame packing	Side-by-Side (Half)	Over-Under (Top-and-Bottom)
4096 × 2160p @ 59.94/60 Hz ^{*1}	○	-	-	-
4096 × 2160p @ 50 Hz ^{*1}	○	-	-	-
4096 × 2160p @ 23.98/24 Hz ^{*2}	○	-	-	-
3840 × 2160p @ 59.94/60 Hz ^{*1}	○	-	-	-
3840 × 2160p @ 50 Hz ^{*1}	○	-	-	-
3840 × 2160p @ 29.97/30 Hz ^{*2}	○	-	-	-
3840 × 2160p @ 25 Hz ^{*2}	○	-	-	-
3840 × 2160p @ 23.98/24 Hz ^{*2}	○	-	-	-
1920 × 1080p @ 59.94/60 Hz	○	-	○	○
1920 × 1080p @ 50 Hz	○	-	○	○
1920 × 1080p @ 29.97/30 Hz	○	○	○	○
1920 × 1080p @ 25 Hz	○	○	○	○
1920 × 1080p @ 23.98/24 Hz	○	○	○	○
1920 × 1080i @ 59.94/60 Hz	○	○	○	○
1920 × 1080i @ 50 Hz	○	○	○	○
1280 × 720p @ 59.94/60 Hz	○	○	○	○
1280 × 720p @ 50 Hz	○	○	○	○
1280 × 720p @ 29.97/30 Hz	○	○	○	○
1280 × 720p @ 23.98/24 Hz	○	○	○	○
720 × 480p @ 59.94/60 Hz	○	-	-	-
720 × 576p @ 50 Hz	○	-	-	-
640 × 480p @ 59.94/60 Hz	○	-	-	-

^{*1} YCbCr 4:2:0/Supported 8-bit only

^{*2} Supported 8-bit only

Design and specifications are subject to change without notice.

Enregistrement du propriétaire

Le modèle et le numéro de série sont situés à l'arrière de la barre de haut-parleurs. Notez le numéro de série dans l'espace ci-dessous. Vous devrez vous y référer lors d'un appel à votre revendeur Sony au sujet de ce produit.

N° de modèle HT-ST5

N° de série _____

AVERTISSEMENT

Pour réduire les risques d'incendie ou d'électrocution, gardez cet appareil à l'abri de la pluie et de l'humidité.

L'appareil n'est pas débranché du secteur aussi longtemps qu'il est raccordé à la prise secteur, même s'il s'éteint automatiquement.

Pour réduire le risque d'incendie, n'obstruez pas l'orifice de ventilation de l'appareil avec un journal, une nappe, une tenture, etc. N'exposez pas l'appareil à une source de flamme nue (par exemple, une bougie allumée).

Pour réduire le risque d'incendie ou d'électrocution, n'exposez pas cet appareil à des éclaboussures ou des gouttes d'eau et ne posez pas dessus des objets remplis de liquides, notamment des vases.

La fiche principale étant utilisée pour déconnecter l'unité de l'alimentation secteur, connectez l'unité à une prise secteur aisément accessible. Si vous remarquez une anomalie dans l'appareil, débranchez immédiatement la fiche principale de la prise secteur.

N'installez pas cet appareil dans un endroit confiné, comme sur une étagère ou un meuble TV intégré.

N'exposez pas les piles ou un appareil contenant des piles à une chaleur excessive, notamment aux rayons directs du soleil ou à des flammes.

Utilisation à l'intérieur seulement.

Pour les clients résidant aux Etats-Unis



Ce symbole est destiné à renseigner l'utilisateur sur la présence à l'intérieur du boîtier de l'appareil d'une « tension dangereuse » non isolée et suffisamment puissante pour présenter un risque d'électrocution.



Ce symbole est destiné à renseigner l'utilisateur sur la présence d'importantes instructions d'utilisation et d'entretien (service) dans les documents qui accompagnent l'appareil.

Consignes de sécurité importantes

- 1) Lisez ces instructions.
- 2) Conservez ces instructions.
- 3) Respectez tous les avertissements.
- 4) Respectez toutes les instructions.
- 5) N'utilisez pas cet appareil à proximité de l'eau.
- 6) Nettoyez-le uniquement avec un chiffon sec.
- 7) N'obstruez pas les orifices de ventilation. Installez l'appareil conformément aux instructions du fabricant.
- 8) N'installez pas l'appareil à proximité des sources de chaleur telles que les radiateurs, les registres de chaleur, les poêles ou autres appareils (y compris les amplificateurs) produisant de la chaleur.
- 9) N'altérez pas le dispositif de sécurité de la fiche polarisée ou mise à la terre. Une fiche polarisée compte deux lames de largeur différente. Une fiche de type mise à la terre possède deux lames et une broche de mise à la terre. La lame la plus large ou la troisième broche assure une fonction de sécurité. Si la fiche fournie d'origine ne s'adapte pas à votre prise, faites remplacer la prise obsolète par un électricien.
- 10) Protégez le cordon d'alimentation des lieux de passage ou des points de pincement, en particulier au niveau des fiches, des prises de courant et de sa sortie de l'appareil.
- 11) Utilisez uniquement des accessoires spécifiés par le fabricant.

12) Utilisez uniquement l'appareil avec le chariot, socle, trépied, support ou table spécifié par le fabricant ou vendu avec l'appareil. Si vous utilisez un chariot, soyez prudent lorsque vous le déplacez avec l'appareil afin d'éviter toute chute susceptible de provoquer des blessures.



13) Débranchez cet appareil en cas d'orage ou d'inutilisation prolongée.

14) Confiez toutes les réparations à du personnel de service qualifié.

L'appareil doit être réparé en cas de dommage quelconque, notamment lorsque le cordon d'alimentation ou sa fiche est endommagé, du liquide ou un objet a pénétré à l'intérieur de l'appareil, l'appareil a été exposé à la pluie ou à l'humidité, l'appareil ne fonctionne pas normalement ou est tombé.

La déclaration de la FCC suivante s'applique uniquement à la version de ce modèle fabriquée pour la vente aux Etats-Unis. Il se peut que les autres versions ne soient pas conformes aux réglementations techniques de la FCC.

REMARQUE :

Cet appareil a été testé et s'est révélé conforme aux limites des appareils numériques de Classe B, conformément à l'alinéa 15 de la réglementation FCC. Ces limites sont conçues pour assurer une protection raisonnable contre les interférences nuisibles dans une installation résidentielle. Cet appareil génère, utilise et peut rayonner de l'énergie de fréquence radio qui, en cas d'installation et d'utilisation non conformes aux instructions, peut engendrer des interférences nuisibles avec les communications radio. Il n'est toutefois pas garanti qu'aucune interférence ne surviendra dans une installation particulière. Si cet appareil altère effectivement la réception radio ou télévisée, ce qui peut être déterminé en le mettant hors tension, puis à nouveau sous tension, nous vous encourageons à essayer de remédier à la situation en prenant une ou plusieurs mesures ci-après :

- Réorientez ou repositionnez l'antenne de réception.
- Augmentez la distance qui sépare l'appareil du récepteur.

- Raccordez l'appareil à la prise d'un circuit différent de celui auquel le récepteur est raccordé.
- Sollicitez l'aide de votre revendeur ou d'un technicien en radio/télévision expérimenté.

Des câbles et connecteurs correctement blindés et mis à la terre doivent être utilisés pour le raccordement à des ordinateurs hôtes ou des périphériques afin de satisfaire aux limites d'émission du FCC.

ATTENTION

Vous êtes prévenu que toute modification ou changement non expressément approuvé dans ce manuel peut annuler votre autorisation à utiliser cet appareil.

Cet appareil ne doit pas se trouver à proximité d'un autre émetteur ou d'une autre antenne, ou encore être utilisé en même temps que ceux-ci.

Cet appareil est conforme aux limites d'exposition au rayonnement du FCC déterminées pour un environnement incontrôlé et rencontre les recommandations d'exposition aux radiofréquences (RF) du FCC. Cet équipement devrait être installé et opéré en gardant le radiateur à au moins 20 cm ou plus du corps d'une personne (excluant les extrémités : mains, poignets, pieds et chevilles).

Conformité à l'exigence 15.407(c) de la FCC

La transmission des données est toujours initiée par le logiciel. Les données sont transmises via le MAC, via la bande de base numérique et analogique, pour atteindre la puce RF. Plusieurs paquets spéciaux sont initiés par le MAC.

Ce sont les seules façons dont la partie de bande de base numérique allume l'émetteur RF, qui s'éteint à la fin du paquet. Par conséquent, l'émetteur est allumé uniquement quand l'un des paquets susmentionnés est en cours de transmission. En d'autres termes, ce périphérique arrête automatiquement la transmission en cas d'absence d'informations à transmettre ou en cas de panne fonctionnelle.

Tolérance de fréquence : ± 20 ppm ou moins

La bande 5,15 - 5,25 GHz est restreints à une utilisation à l'intérieur.

Pour les clients au Canada

Il est impératif d'utiliser des câbles et des connecteurs correctement blindés et mis à la terre pour la connexion à des ordinateurs hôtes et/ou aux périphériques.

Le présent appareil est conforme aux CNR d'Industrie Canada applicable aux appareils radio exempts de licence.

L'exploitation est autorisée aux deux conditions suivantes :

(1) l'appareil ne doit pas produire de brouillage, et (2) l'utilisateur de l'appareil doit accepter tout brouillage radioélectrique subi, même si le brouillage est susceptible d'en compromettre le fonctionnement.

Cet appareil est conforme aux limites d'exposition au rayonnement d'IC déterminées pour un environnement incontrôlé et rencontre les règles d'exposition RSS-102 de la radiofréquence (RF) d'IC. Cet équipement devrait être installé et opéré en gardant le radiateur à au moins 20 cm ou plus du corps d'une personne (excluant les extrémités : mains, poignets, pieds et chevilles).

La bande 5,15 - 5,25 GHz est restreints à une utilisation à l'intérieur.

Table des matières

Fonctions utiles

Modification de l'angle de la barre de haut-parleurs	6
Installation de la barre de haut-parleurs sur un mur	7
Activation de la fonction de répétition IR (lorsque vous ne pouvez pas contrôler le téléviseur)	8
Activation de la fonction Secure Link	9
Réglage de la fonction Commande pour HDMI	11
Utilisation des fonctions « BRAVIA » Sync	12
Contrôle du système à l'aide d'un smartphone ou d'une tablette (SongPal)	13
Configuration des réglages	15

Divers

Précautions	18
Technologie sans fil BLUETOOTH	20
Dépannage	21
Composants et commandes	25
Caractéristiques	28

Consultez le Guide de démarrage fourni pour en savoir plus sur la configuration et les opérations de base.

Modification de l'angle de la barre de haut-parleurs

Vous pouvez modifier l'angle de la barre de haut-parleurs en retirant les socles situés sous la barre de haut-parleurs.

Vous pouvez retirer les socles sous la barre de haut-parleurs en procédant comme suit.

Remarque

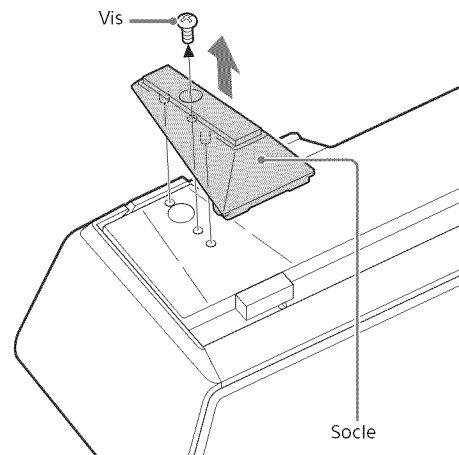
Lorsque vous montez la barre de haut-parleurs sur le mur, retirez les socles au préalable.

Conseil

Lorsque vous placez la barre de haut-parleurs en position horizontale au-dessus du niveau des yeux, le retrait des socles garantit une orientation adéquate du son.

Retirez les vis fixant les socles situés sous la barre de haut-parleurs.

Les socles sont fixés des deux côtés sous la barre de haut-parleurs. Pour retirer les socles, retirez les vis des socles avec un tournevis.



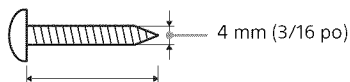
Installation de la barre de haut-parleurs sur un mur

Vous pouvez fixer la barre de haut-parleurs sur un mur.

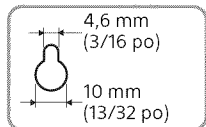
Remarques

- Lorsque vous fixez la barre de haut-parleurs sur le mur, retirez les socles au préalable (page 6).
- Utilisez des vis (non fournies) adaptées au matériau et à la résistance du mur. Comme les plaques de plâtre sont particulièrement fragiles, fixez fermement les vis avec deux boulons à une poutre du mur. Installez la barre de haut-parleurs horizontalement, accrochée par des vis dans des boulons sur une partie plate continue du mur.
- Veillez à confier l'installation à des revendeurs ou à des installateurs agréés Sony et portez une attention particulière aux consignes de sécurité pendant l'installation.
- Sony ne peut être tenu responsable des accidents ou dégâts occasionnés par une mauvaise installation, une résistance insuffisante du mur, une mauvaise fixation des vis, une catastrophe naturelle, etc.

1 Utilisez des vis (non fournies) adaptées aux trous à l'arrière de la barre de haut-parleurs.



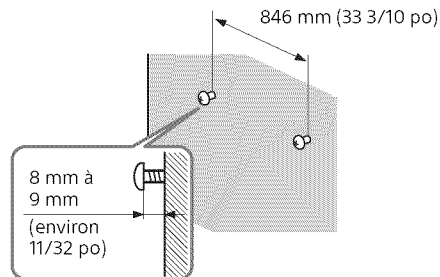
Plus de 30 mm (1 3/16 po)



Trou à l'arrière de la barre de haut-parleurs

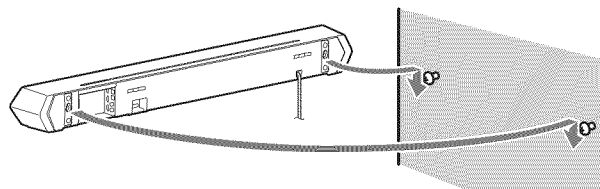
2 Fixez les vis avec deux boulons au mur.

Les vis doivent dépasser de 8 à 9 mm (environ 11/32 po).



3 Accrochez la barre de haut-parleurs sur les vis.

Alignez les trous à l'arrière de la barre de haut-parleurs avec les vis, puis suspendez la barre de haut-parleurs aux deux vis.



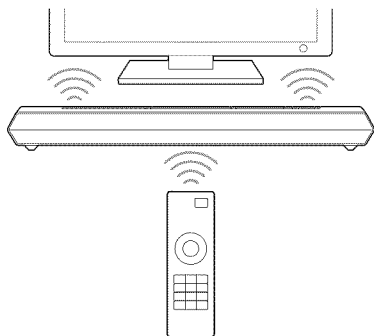
Remarque

Lorsque vous utilisez une prise HDMI IN 3 de la barre de haut-parleurs accrochée au mur, branchez le câble HDMI haut débit articulé.

Activation de la fonction de répétition IR (lorsque vous ne pouvez pas contrôler le téléviseur)

Lorsque la barre de haut-parleurs bloque le capteur de télécommande du téléviseur, la télécommande peut ne pas fonctionner. Dans ce cas, activez la fonction de répétition IR du système.

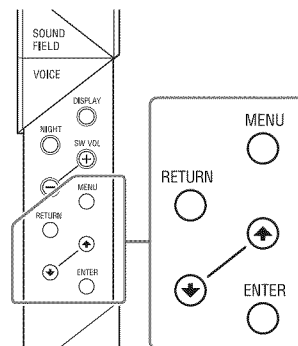
Vous pouvez contrôler le téléviseur avec sa télécommande en envoyant le signal distant depuis l'arrière de la barre de haut-parleurs.



Remarque

Vérifiez bien que la télécommande du téléviseur ne peut pas contrôler le téléviseur, puis réglez « IR REP. » sur « ON ». S'il est réglé sur « ON » lorsque la télécommande peut contrôler le téléviseur, il est possible de ne pas obtenir le fonctionnement approprié à cause de l'interférence entre la commande directe de la télécommande et la commande via la barre de haut-parleurs.

- 1 Appuyez sur le bouton MENU de la télécommande du système.



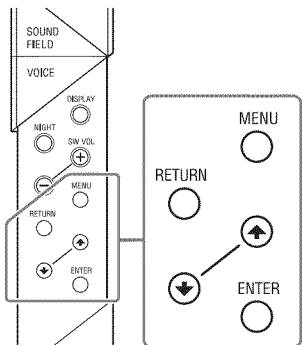
- 2 Sélectionnez « SYSTEM » avec les boutons ↑ ↓ (sélection), puis appuyez sur le bouton ENTER.
- 3 Sélectionnez « IR REP. » avec les boutons ↑ ↓ (sélection), puis appuyez sur le bouton ENTER.
- 4 Sélectionnez « ON » avec les boutons ↑ ↓ (sélection), puis appuyez sur le bouton ENTER.
- 5 Appuyez sur le bouton MENU.
Le menu disparaît.

Remarque

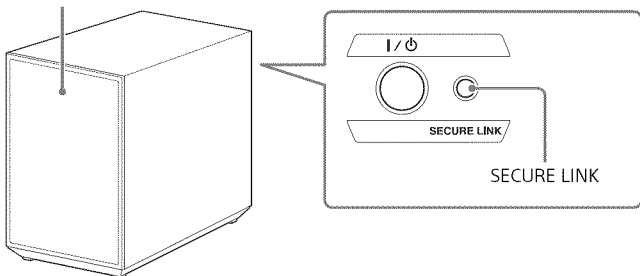
Sur certains téléviseurs, cette fonction peut ne pas fonctionner correctement. Dans ce cas, éloignez légèrement la barre de haut-parleurs du téléviseur.

Activation de la fonction Secure Link

Vous pouvez spécifier la connexion sans fil à utiliser pour relier la barre de haut-parleurs au caisson de graves à l'aide de la fonction Secure Link. Cette fonction est utile lorsque vous utilisez plusieurs produits sans fil.



Témoin marche/arrêt



- 1 Appuyez sur le bouton MENU de la télécommande.**
- 2 Sélectionnez « WS » avec les boutons ↑ ↓ (sélection), puis appuyez sur le bouton ENTER.**
- 3 Sélectionnez « SEC. ON » avec les boutons ↑ ↓ (sélection), puis appuyez sur le bouton ENTER.**
- 4 Lorsque « START » apparaît, appuyez sur le bouton ENTER.**
« SEARCH » apparaît et le système recherche les appareils utilisables avec Secure Link.
Passez à l'étape suivante en moins de 2 minutes.
Pour quitter la fonction Secure Link lors de la recherche d'appareils, appuyez sur le bouton RETURN.
- 5 Appuyez sur le bouton SECURE LINK sur le caisson de graves avec la pointe d'un stylo, etc.**
Le témoin marche/arrêt sur le caisson de graves s'allume en jaune et « OK » apparaît sur l'écran du panneau avant de la barre de haut-parleurs.
Si « FAILED » apparaît, vérifiez que le caisson de graves est sous tension et répétez le processus depuis l'étape 1.
- 6 Appuyez sur le bouton MENU.**
Le menu disparaît.

Annulation de la fonction Secure Link

- 1** Appuyez sur le bouton MENU de la télécommande.
- 2** Sélectionnez « WS » avec les boutons ↑ ↓ (sélection), puis appuyez sur le bouton ENTER.
- 3** Sélectionnez « SEC.OFF » avec les boutons ↑ ↓ (sélection), puis appuyez sur le bouton ENTER.
- 4** Lorsque « OK? » apparaît, appuyez sur le bouton ENTER.
« FINISH » apparaît sur l'écran du panneau avant.
- 5** Appuyez sur le bouton MENU.
Le menu disparaît.
- 6** Appuyez sur le bouton SECURE LINK sur le caisson de graves et maintenez-le enfoncé pendant plusieurs secondes jusqu'à ce que le témoin marche/arrêt sur le caisson de graves devienne vert ou clignote en vert.
Appuyez sur le bouton SECURE LINK avec la pointe d'un stylo, etc.

Réglage de la fonction Commande pour HDMI

En utilisant la fonction Commande pour HDMI et en connectant un appareil compatible avec la fonction Commande pour HDMI via un câble HDMI haut débit, le fonctionnement est simplifié pour les fonctions indiquées ci-dessous.

La fonction Commande pour HDMI est activée en réglant « CTRL (Commande pour HDMI) » sur « ON » (page 16). Le réglage par défaut est « ON ».

Mise hors tension du système

Lorsque vous mettez le téléviseur hors tension, le système et l'appareil raccordé sont mis hors tension automatiquement.

Commande du son du système

Si vous mettez le système sous tension pendant que vous regardez le téléviseur, le son du téléviseur est émis par les haut-parleurs du système. Le volume du système est réglé lorsque vous réglez le volume à l'aide de la télécommande du téléviseur.

Si le son du téléviseur était émis par les haut-parleurs du système la dernière fois que vous avez regardé le téléviseur, le système s'allume automatiquement lors de la mise sous tension du téléviseur.

Audio Return Channel (ARC)

Si le téléviseur est compatible avec la technologie du Audio Return Channel (ARC), un raccordement à l'aide d'un câble HDMI haut débit envoie également des signaux audio numériques du téléviseur au système. Pour écouter le son du téléviseur à partir du système, il n'est pas nécessaire de procéder à un raccordement audio distinct. La fonction ARC est activée en réglant « ARC (Canal de retour audio) » sur « ON » (page 16). Le réglage par défaut est « ON ».

Lecture une seule touche

Lors de l'activation de l'appareil (lecteur Blu-ray Disc™, « PlayStation®4 », etc.) raccordé au système par un câble HDMI haut débit, le téléviseur connecté est automatiquement mis sous tension, et le signal d'entrée du système passe sur l'entrée HDMI appropriée.

Remarques

- Les fonctionnalités ci-dessus peuvent ne pas fonctionner avec certains appareils.
- En fonction des paramètres de l'appareil raccordé, la fonction Commande pour HDMI peut ne pas fonctionner correctement. Reportez-vous au mode d'emploi de l'appareil.

Utilisation des fonctions « BRAVIA » Sync

Les fonctions Sony originales répertoriées ci-dessous peuvent également être utilisées avec des produits compatibles avec « BRAVIA » Sync.

Économie d'énergie

Si un téléviseur compatible « BRAVIA » Sync est raccordé au système, vous pouvez réduire la consommation électrique en mode veille en arrêtant la transmission du signal HDMI lorsque le téléviseur est éteint avec la fonction de transmission* (P. THRU (Transmission)) du système réglée sur « AUTO » (page 16).

Le réglage par défaut est « AUTO ».

Si un autre téléviseur non « BRAVIA » est raccordé, réglez la fonction sur « ON » (page 16).

* La fonction de transmission des signaux HDMI est utilisée pour émettre les signaux provenant de la prise HDMI OUT de ce système même s'il est en mode veille.

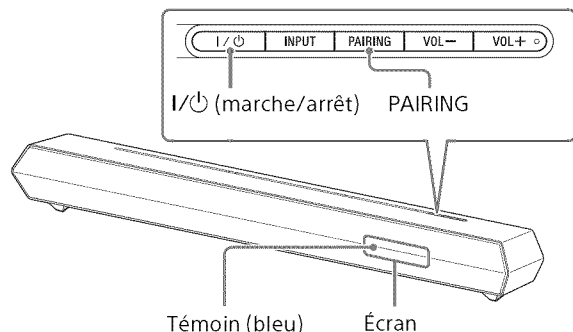
Remarques sur les connexions HDMI

- Utilisez un câble HDMI haut débit. Si vous utilisez un câble HDMI standard, les images 1080p, Deep Color, 3D et 4K risquent de ne pas s'afficher correctement.
- Utilisez un câble compatible HDMI. Utilisez un câble HDMI haut débit Sony avec le logo du type de câble.
- Il est déconseillé d'utiliser un câble de conversion HDMI-DVI.
- Si la qualité d'image est médiocre ou si le son n'est pas émis par un appareil raccordé à l'aide du câble HDMI, vérifiez la configuration de cet appareil.
- Il est possible que les signaux audio (fréquence d'échantillonnage, longueur binaire, etc.) transmis par une prise HDMI soient supprimés par l'appareil raccordé.

- Le son peut être interrompu en cas de modification de la fréquence d'échantillonnage ou du nombre de canaux des signaux de sortie audio provenant de l'appareil utilisé pour la lecture.
- Si l'appareil raccordé n'est pas compatible avec la technologie de protection des droits d'auteur (HDCP), l'image et/ou le son provenant de la prise HDMI OUT de ce système peuvent être déformés ou absents. Dans ce cas, vérifiez les caractéristiques de l'appareil raccordé.
- Lorsque « TV » est sélectionné comme source d'entrée du système, les signaux vidéo émis par l'une des prises HDMI IN 1/2/3 sélectionnées lors de la dernière utilisation sont émis depuis la prise HDMI OUT.
- Ce système prend en charge la transmission Deep Color, « x.v.Color », 3D et 4K.
- Pour profiter d'images 3D, raccordez un téléviseur compatible 3D et un appareil vidéo (lecteur Blu-ray Disc, « PlayStation®4 », etc.) au système à l'aide de câbles HDMI haut débit, mettez des lunettes 3D, puis activez la lecture du Blu-ray Disc compatible 3D, etc.
- Pour profiter d'images 4K, le téléviseur et les lecteurs raccordés au système doivent être compatibles avec les images 4K.

Contrôle du système à l'aide d'un smartphone ou d'une tablette (SongPal)

« SongPal » est l'application qui vous permet de faire fonctionner le système avec votre smartphone ou tablette, etc.
« SongPal » est disponible depuis Google Play™ ou l'App Store. Cette fonction est activée en réglant « BT PWR (Activation BLUETOOTH) » sur « ON » (page 16). Le réglage par défaut est « ON ».

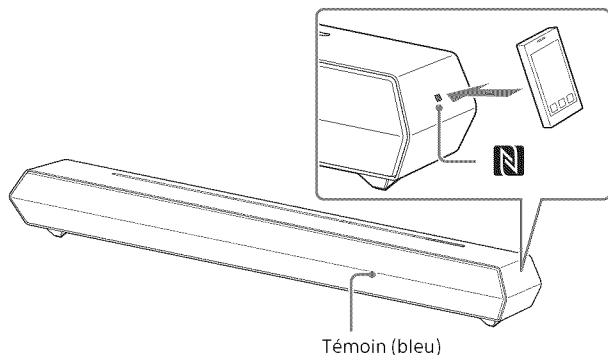


Utilisation d'un appareil Android™

- 1 Appuyez sur le bouton I/O (marche/arrêt) sur la barre de haut-parleurs.**
L'écran de la barre de haut-parleurs s'allume.
- 2 Recherchez « SongPal » avec l'appareil Android et téléchargez cette application.**
- 3 Exécutez « SongPal » et suivez les instructions à l'écran.**
- 4 Une fois que l'écran de connexion BLUETOOTH apparaît sur l'appareil Android, appuyez sur le bouton PAIRING sur la barre de haut-parleurs.**
Le témoin (bleu) clignote rapidement pendant l'appairage BLUETOOTH.
- 5 Sélectionnez « SONY:HT-ST5 » dans la liste d'appareils BLUETOOTH de l'appareil Android.**
Une fois la connexion établie, le témoin (bleu) de la barre de haut-parleurs s'allume.
- 6 Faites fonctionner le système avec l'écran de l'appareil Android connecté.**

Connexion une seule touche à l'aide de l'appareil Android avec la fonction NFC intégrée (NFC)

- 1 Effectuez les étapes 1 à 3 de la section « Utilisation d'un appareil Android ».
- 2 Une fois que l'écran de connexion BLUETOOTH apparaît sur l'appareil Android, mettez l'appareil Android au contact de la marque N sur le côté droit de la barre de haut-parleurs.
Une fois la connexion établie, le témoin (bleu) de la barre de haut-parleurs s'allume.



- 3 Faites fonctionner le système avec l'écran de l'appareil Android.

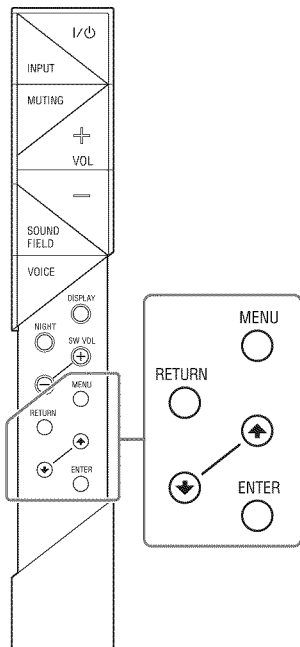
Utilisation d'un iPhone/iPod touch

- 1 Appuyez sur le bouton I/⏻ (marche/arrêt) sur la barre de haut-parleurs.
L'écran de la barre de haut-parleurs s'allume.
- 2 Appuyez sur le bouton PAIRING sur la barre de haut-parleurs.
Le témoin (bleu) de la barre de haut-parleurs clignote rapidement pendant l'appairage BLUETOOTH.
- 3 Réglez l'iPhone/iPod touch sur le mode d'appairage et sélectionnez « SONY:HT-ST5 » dans la liste d'appareils BLUETOOTH sur l'iPhone/iPod touch.
Une fois la connexion établie, le témoin (bleu) de la barre de haut-parleurs s'allume.
- 4 Recherchez « SongPal » avec l'iPhone/iPod touch connecté et téléchargez cette application.
- 5 Exécutez « SongPal » et faites fonctionner le système avec l'écran de l'iPhone/iPod touch.

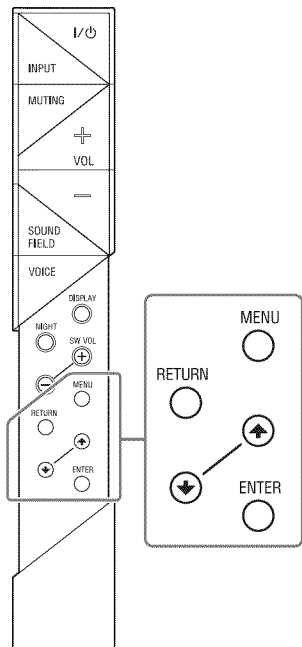
Configuration des réglages

Vous pouvez régler les paramètres suivants avec le bouton MENU de la télécommande.
 Vos réglages sont gardés en mémoire, même si vous débranchez le cordon d'alimentation.

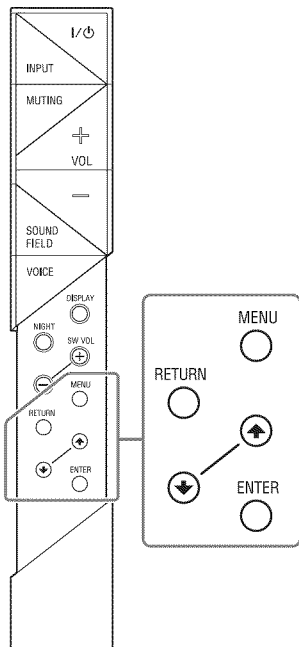
- 1 Appuyez sur le bouton MENU de la télécommande pour afficher le menu de réglage sur l'écran de la barre de haut-parleurs.
- 2 Sélectionnez le réglage de votre choix avec l'opération suivante :
 - ↑ ↓ : sélectionnez l'élément de réglage.
 - ENTER : passe au menu de niveau inférieur ou accède au réglage affiché.
 - RETURN : retourne au menu de niveau supérieur.
- 3 Appuyez sur le bouton MENU pour quitter le menu.



Menu		Fonction	Par défaut
AUDIO	LEVEL (Commande de portée dynamique)	Vous pouvez profiter du son Dolby Digital lorsque le volume sonore est faible. (ON/AUTO/OFF) ON : compresse le son en fonction des informations de compression présentes dans le contenu. AUTO : compresse automatiquement le son encodé en Dolby TrueHD. OFF : le son n'est pas compressé.	AUTO
	SYNC (sync. AV)	Vous pouvez régler le son lorsque l'image et le son ne sont pas synchronisés. (1-4/OFF)	OFF
	DUAL (Dual mono)	Vous pouvez écouter un son diffusé en multiplex d'une source audio Dolby Digital. (M/S/MAIN/SUB) M/S : canaux principal et secondaire MAIN : canal principal SUB : canal secondaire	MAIN
	HEQ (Égaliseur d'harmoniques)	Reproduit les sons avec un volume très faible. (ON/OFF) Remarque : la fonction HEQ ne fonctionne que lorsque le paramètre SOUND FIELD est réglé sur « MUSIC » et que « ANALOG » ou « BT AU » est sélectionné en tant qu'entrée. Cela ne fonctionne avec aucune autre entrée, même si l'élément peut être affiché sur le panneau avant.	ON
	AAV (Volume audio avancé)	Réduit les décalages sonores entre les différents programmes ou entre les programmes et les publicités. (ON/OFF) Remarque : lorsque le paramètre SOUND FIELD est réglé sur « FOOTBALL », « AAV (Volume audio avancé) » peut ne pas fonctionner.	OFF



Menu		Fonction	Par défaut
HDMI	CTRL (Commande pour HDMI)	Pour activer ou désactiver la fonction Commande pour HDMI. (ON/OFF) Reportez-vous à la section « Réglage de la fonction Commande pour HDMI » (page 11) pour plus de détails.	ON
	P. THRU (Transmission)	Pour régler le mode d'économie d'énergie de la fonction de transmission des signaux HDMI. (AUTO/ON) AUTO : laisse passer les signaux provenant de la prise HDMI OUT du système en mode veille en fonction de l'état du téléviseur. Ce réglage permet d'économiser de l'énergie en mode veille par rapport au réglage « ON ». ON : laisse toujours passer les signaux provenant de la prise HDMI OUT en mode veille. Si un autre téléviseur non « BRAVIA » est raccordé, utilisez le système avec le réglage « ON ». Remarque : cet élément apparaît uniquement lorsque « CTRL (Commande pour HDMI) » est réglé sur « ON ».	AUTO
	ARC (Canal de retour audio)	Pour écouter le son numérique d'un téléviseur compatible avec la technologie du canal de retour audio (ARC) raccordé via un câble HDMI haut débit. (ON/OFF) Remarque : cet élément apparaît uniquement lorsque « CTRL (Commande pour HDMI) » est réglé sur « ON ».	ON
SET BT	BT PWR (Activation BLUETOOTH)	Pour activer ou désactiver la fonction BLUETOOTH de ce système. (ON/OFF) Remarque : si vous changez le réglage sur « OFF », les fonctions BLUETOOTH et NFC sont désactivées.	ON
	BT.STBY (Veille BLUETOOTH)	Lorsque le système dispose d'informations d'appairage, le système est en mode veille BLUETOOTH même lorsqu'il est hors tension. (ON/OFF)	ON
	AAC (Codage audio avancé)	Pour définir si le système doit utiliser AAC par BLUETOOTH ou non. (ON/OFF) Remarque : si vous modifiez le réglage lorsque le système est connecté à un dispositif BLUETOOTH, le système sera déconnecté du dispositif.	ON
	APT X (aptX)	Pour définir si le système doit utiliser aptX par BLUETOOTH ou non. (ON/OFF) Remarque : si vous modifiez le réglage lorsque le système est connecté à un dispositif BLUETOOTH, le système sera déconnecté du dispositif.	ON



Menu	Fonction	Par défaut	
SYSTEM	A. STBY (Veille auto)	Pour activer ou désactiver la fonction AUTO POWER OFF. (ON/OFF) Le système se met automatiquement hors tension lorsque vous ne l'utilisez pas depuis un certain temps (environ 20 minutes) et qu'il ne reçoit pas de signal d'entrée.	ON
	IR REP. (Répétition IR)	Permet au système de transmettre le signal entre une télécommande et le téléviseur. (ON/OFF) Reportez-vous à la section « Activation de la fonction de répétition IR » (page 8) pour plus de détails.	OFF
	VER (Version)	Pour afficher la version du micrologiciel actuel.	-
	SYS.RST (Redémarrage à froid du système)	Pour réinitialiser les menus et les réglages (champs acoustiques, etc.) du système sur l'état initial lorsqu'il ne fonctionne pas correctement. Reportez-vous à la section « Dépannage » (page 24) pour plus de détails.	-
WS	SEC. ON/SEC.OFF (Secure Link activé/ Secure Link désactivé)	Lorsque la connexion Secure Link n'est pas établie, « SEC. ON » apparaît. SEC. ON : vous permet de relier la barre de haut-parleurs et le caisson de graves spécifiés lorsque plusieurs périphériques audio sans fil se trouvent à proximité. Lorsque la connexion Secure Link est établie, « SEC.OFF » apparaît. SEC.OFF : désactive le réglage Secure Link. Reportez-vous à la section "Activation de la fonction Secure Link" (page 9) pour plus de détails.	-
	BAND (Sélection du mode de bande)	Pour basculer le mode de bande de fréquence du système entre les bandes 5,2 et 5,8 GHz. (AUTO/5.2GHz/5.8GHz) Remarque : cet élément apparaît uniquement lorsque les régions correspondent aux deux bandes de fréquence 5,2 et 5,8 GHz.	AUTO
	LNK.CHK (Vérification de la liaison)	Pour vérifier si le système audio sans fil du système peut se connecter ou non. (OK/NG)	-

Précautions

Concernant la sécurité

- Si un objet ou du liquide venait à pénétrer à l'intérieur du système, débranchez-le et faites-le vérifier par un technicien qualifié avant de le remettre en marche.
- Il est interdit de marcher sur la barre de haut-parleurs et le caisson de graves, car cela pourrait entraîner une chute et des blessures ou endommager le système.

Concernant les sources d'alimentation

- Avant de mettre en marche le système, vérifiez que la tension de fonctionnement est identique à celle de votre source d'alimentation locale. La tension de fonctionnement est indiquée sur l'étiquette située à l'arrière de la barre de haut-parleurs.
- Si vous prévoyez de ne pas utiliser le système pendant une période prolongée, assurez-vous de le débrancher de la prise murale. Pour débrancher le cordon d'alimentation, tirez sur la fiche et non sur le cordon.
- Pour des raisons de sécurité, l'une des broches de la fiche est plus large que l'autre et elle s'insère dans la prise murale dans un seul sens. Si vous ne parvenez pas à insérer la fiche à fond dans la prise, contactez votre revendeur.
- Le cordon d'alimentation doit être remplacé uniquement dans un centre de service après-vente qualifié.

Concernant l'accumulation de chaleur

Bien que le système chauffe lors du fonctionnement, il ne s'agit pas d'un dysfonctionnement. Si vous utilisez le système continuellement à un volume élevé, la température augmente considérablement au niveau de ses faces arrière et inférieure. Pour éviter de vous brûler, ne touchez pas le système.

Concernant l'emplacement

- Installez le système dans un endroit correctement ventilé pour éviter l'accumulation de chaleur et prolonger la durée de vie de votre système.
- N'installez pas le système à proximité de sources de chaleur ou dans un endroit soumis aux rayons du soleil, à une poussière excessive ou à des chocs mécaniques.
- Ne mettez rien sur la barre de haut-parleurs ou sur le caisson de graves qui pourrait bloquer les trous de ventilation et causer des dysfonctionnements.
- Si le système est utilisé conjointement avec un téléviseur, un magnétoscope ou un magnétophone, cela peut provoquer des parasites et diminuer la qualité de l'image. Dans ce cas, placez le système loin du téléviseur, du magnétoscope ou du magnétophone.
- Faites attention lorsque vous installez le système sur une surface traitée (avec de la cire, de l'huile, etc.), car vous risquez de la tacher et de la décolorer.
- Évitez de vous blesser sur les coins de la barre de haut-parleurs et du caisson de graves.

Concernant le fonctionnement

Avant de raccorder un autre appareil, assurez-vous d'éteindre et de débrancher le système.

Si l'écran du téléviseur situé à proximité présente des irrégularités de couleurs

Des irrégularités de couleurs peuvent être constatées sur certains types de téléviseurs.

En cas d'irrégularités de couleurs...

Mettez le téléviseur hors tension, puis remettez-le sous tension après 15 à 30 minutes.

En cas d'irrégularités de couleurs persistantes...

Éloignez davantage le système du téléviseur.

Concernant l'entretien

Nettoyez le système avec un chiffon sec et doux. N'utilisez pas de tampons abrasifs, de poudre à récurer ou de solvant tel que de l'alcool ou de la benzine.

Si vous avez des questions ou si vous rencontrez des problèmes avec votre système, consultez votre revendeur Sony le plus proche.

Copyrights

Ce système intègre les technologies Dolby* Digital et DTS** Digital Surround System.

* Fabriqué sous licence de Dolby Laboratories.

Dolby et le symbole double-D sont des marques commerciales de Dolby Laboratories.

** Pour les brevets DTS, rendez-vous sur <http://patents.dts.com>.

Fabriqué sous licence de DTS Licensing Limited. DTS, DTS-HD, le symbole, & DTS et le symbole sont des marques déposées, et DTS-HD Master Audio est une marque commerciale de DTS, Inc. © DTS, Inc. Tous droits réservés.

Le terme et les logos BLUETOOTH® sont des marques déposées appartenant à Bluetooth SIG, Inc. et tout usage de ces marques par Sony Corporation s'inscrit dans le cadre d'une licence.

Ce système intègre la technologie High-Definition Multimedia Interface (HDMI™).

Les termes HDMI et HDMI High-Definition Multimedia Interface, et le logo HDMI sont des marques commerciales ou des marques déposées de HDMI Licensing LLC aux États-Unis et dans d'autres pays.

N Mark est une marque commerciale ou une marque déposée de NFC Forum, Inc. aux États-Unis et dans d'autres pays.

Android et Google Play sont des marques commerciales de Google Inc.

© 2013 CSR plc et les sociétés de son groupe.

La marque aptX® et le logo aptX sont des marques commerciales de CSR plc ou de l'une des sociétés de son groupe, et ils peuvent être déposés dans une ou plusieurs juridictions.

Apple, le logo Apple, iPhone, iPod et iPod touch sont des marques commerciales d'Apple Inc., déposées aux États-Unis et dans d'autres pays. App Store est une marque de service d'Apple Inc.



« Made for iPod » et « Made for iPhone » signifient qu'un accessoire électronique a été conçu pour se connecter spécifiquement à un iPod ou un iPhone, respectivement, et que le développeur certifie qu'il répond aux normes de performance d'Apple. Apple n'est pas responsable du fonctionnement de cet appareil ou de sa conformité avec les normes de sécurité et de réglementation. Notez que l'utilisation de cet accessoire avec un iPod ou un iPhone peut affecter les performances sans fil.

Modèles d'iPod/iPhone compatibles

Les modèles d'iPod/iPhone compatibles sont les suivants. Mettez à jour votre iPod/iPhone avec le dernier logiciel avant de l'utiliser avec le système.

La technologie BLUETOOTH fonctionne avec :

- iPhone
iPhone 5s/iPhone 5c/iPhone 5/iPhone 4s/iPhone 4/iPhone 3GS
- iPod touch
iPod touch (5e génération)/iPod touch (4e génération)

Le logo « BRAVIA » est une marque commerciale de Sony Corporation.

« ClearAudio+ » est une marque commerciale de Sony Corporation.

« x.v.Color » et le logo « x.v.Color » sont des marques commerciales de Sony Corporation.

« PlayStation® » est une marque déposée de Sony Computer Entertainment Inc.

Les autres marques commerciales et noms de marques appartiennent à leurs propriétaires respectifs.

Technologie sans fil BLUETOOTH

Version et profils BLUETOOTH pris en charge

Le profil fait référence à une série standard de fonctions pour les diverses fonctions de produit BLUETOOTH. Reportez-vous à la section « Caractéristiques » (page 28) sur la version et les profils BLUETOOTH pris en charge par ce système.

Remarques

- Pour pouvoir utiliser la fonction BLUETOOTH, le dispositif BLUETOOTH à raccorder doit prendre en charge le même profil que ce système. Même si le dispositif prend en charge le même profil, les fonctions peuvent différer à cause des caractéristiques du dispositif BLUETOOTH.
- La lecture du son sur ce système pourrait être retardée de celle sur le dispositif BLUETOOTH à cause des caractéristiques de la technologie sans fil BLUETOOTH.

Portée efficace de communication

Les dispositifs BLUETOOTH devraient être éloignés d'au maximum 10 mètres (33 pieds) (distance dégagée) les uns des autres. La portée efficace de communication peut être plus courte dans les conditions suivantes :

- Lorsqu'une personne, un objet métallique, un mur ou une autre obstruction est situé entre les dispositifs avec une connexion BLUETOOTH
- Dans les lieux où un réseau local sans fil est installé
- Autour de fours à micro-ondes en cours d'utilisation
- Dans des lieux où d'autres ondes électromagnétiques sont générées

Les effets d'autres dispositifs

Les dispositifs BLUETOOTH et l'équipement de réseau local sans fil (IEEE 802.11b/g) utilisent la même bande de fréquence (2,4 GHz). Lorsque vous utilisez votre dispositif BLUETOOTH près d'un dispositif disposant d'une capacité de réseau local sans fil, des interférences électromagnétiques peuvent se produire.

Ceci pourrait causer une réduction des taux de transfert de données, des parasites ou l'incapacité de se raccorder. Si ceci se produit, essayez les solutions suivantes :

- Raccordez ce système et un téléphone portable BLUETOOTH ou un dispositif BLUETOOTH en vous positionnant à au moins 10 mètres (33 pieds) de l'équipement de réseau local sans fil.
- Coupez l'alimentation de l'équipement de réseau local sans fil lorsque vous utilisez votre dispositif BLUETOOTH à moins de 10 mètres (33 pieds).

Les effets sur d'autres dispositifs

L'émission d'ondes radio par ce système peut interférer avec le fonctionnement de certains dispositifs médicaux. Puisque cette interférence peut causer un dysfonctionnement, coupez toujours l'alimentation de ce système, d'un téléphone portable BLUETOOTH ou d'un dispositif BLUETOOTH dans les emplacements suivants :

- Dans les hôpitaux, les trains, les avions, les stations-services et à n'importe quel endroit où des gaz inflammables peuvent être présents
- Près des portes automatiques ou des alarmes d'incendie

Remarques

- Ce système prend en charge des fonctions de sécurité qui se conforment à la norme BLUETOOTH, il s'agit d'un moyen de garantir la sécurité lors des communications utilisant la technologie BLUETOOTH. Toutefois, cette sécurité peut être insuffisante, selon les réglages et d'autres facteurs. Faites donc toujours attention lorsque vous communiquez avec la technologie BLUETOOTH.
- Sony ne peut pas être tenu responsable de quelque façon que ce soit pour les dommages ou d'autre pertes résultant de fuites d'informations pendant l'utilisation de la technologie de communication BLUETOOTH.
- La communication BLUETOOTH n'est pas nécessairement garantie avec tous les dispositifs BLUETOOTH qui ont le même profil que ce système.
- Les dispositifs BLUETOOTH raccordés avec ce système doivent se conformer à la norme BLUETOOTH prescrite par le Bluetooth SIG, Inc. et doivent être certifiés conformes. Toutefois, même lorsqu'un dispositif se conforme à la norme BLUETOOTH, dans certains cas, les particularités ou les caractéristiques du dispositif BLUETOOTH rendent le raccordement impossible, ou peuvent causer différentes méthodes de contrôle, d'affichage ou de fonctionnement.
- Des parasites peuvent se produire ou le son peut se couper en fonction du dispositif BLUETOOTH raccordé à ce système, de l'environnement de communication ou des conditions environnantes.

Dépannage

Si vous rencontrez l'une des difficultés suivantes lors de l'utilisation de ce système, consultez ce guide de dépannage pour tenter de résoudre le problème. Si le problème persiste, consultez votre revendeur Sony le plus proche.

Lorsque vous demandez une réparation, apportez la barre de haut-parleurs et le caisson de graves, même si un seul élément semble présenter une panne.

ALIMENTATION

Le système ne s'allume pas.

- Vérifiez que le cordon d'alimentation est correctement raccordé.
- Débranchez le cordon d'alimentation au niveau de la prise murale, puis rebranchez-le quelques minutes plus tard.

Le système se met automatiquement hors tension.

- La fonction « A. STBY » est activée. Réglez « A. STBY (Veille auto) » sur « OFF » (page 17).

SON

Le système n'émet aucun son provenant du téléviseur.

- Appuyez plusieurs fois sur le bouton INPUT de la télécommande pour afficher « TV » sur l'écran (consultez la section « Écoute de la source audio du téléviseur » du Guide de démarrage fourni).
- Vérifiez le raccordement du câble HDMI, du câble numérique optique ou du câble audio connecté au système et au téléviseur (consultez la section « Raccordement » du Guide de démarrage fourni).
- Vérifiez la sortie audio du téléviseur. Consultez le mode d'emploi du téléviseur pour voir ses réglages.
- Montez le volume du téléviseur ou annulez la fonction de mise en sourdine.
- Lorsqu'un téléviseur compatible avec la technologie du canal de retour audio (ARC) est raccordé avec un câble HDMI, vérifiez que le câble est connecté à la prise d'entrée HDMI (ARC) du téléviseur (consultez la section « Raccordement » du Guide de démarrage fourni).

- Si le téléviseur n'est pas compatible avec la technologie du canal de retour audio (ARC), connectez le câble numérique optique en plus du câble HDMI pour pouvoir émettre du son (consultez la section « Raccordement » du Guide de démarrage fourni).

Le système et le téléviseur reproduisent le son.

- Éteignez le son du système ou du téléviseur.

Le son du téléviseur de ce système est en retard sur l'image.

- Réglez « SYNC (sync. AV) » sur « OFF » s'il est réglé entre « 1 » et « 4 » (page 15).

La barre de haut-parleurs ne reproduit aucun son ou ne reproduit que très faiblement le son provenant de l'appareil raccordé à la barre de haut-parleurs.

- Appuyez sur le bouton VOL + de la télécommande et vérifiez le niveau de volume (reportez-vous à la section « Composants et commandes » (page 27)).
- Appuyez sur le bouton MUTE ou VOL + de la télécommande pour annuler la fonction de mise en sourdine (reportez-vous à la section « Composants et commandes » (page 27)).
- Assurez-vous que la source d'entrée est correctement sélectionnée. Vous devez essayer d'autres sources d'entrée en appuyant plusieurs fois sur le bouton INPUT de la télécommande (consultez la section « Écoute du son » du Guide de démarrage fourni).
- Vérifiez que tous les câbles et cordons du système et de l'appareil raccordé sont complètement insérés.

Le caisson de graves ne reproduit aucun son ou ne reproduit que très faiblement le son.

- Appuyez sur le bouton SW VOL + de la télécommande pour augmenter le volume du caisson de graves (reportez-vous à la section « Composants et commandes » (page 27)).
- Assurez-vous que le témoin marche/arrêt sur le caisson de graves est allumé en vert. Si ce n'est pas le cas, reportez-vous à la section « Le caisson de graves n'émet aucun son. » dans « SON SANS FIL » (page 22).
- Un caisson de graves permet de reproduire les sons graves. En cas de sources d'entrée contenant très peu de composants sonores graves (par exemple, une émission de télévision), il peut s'avérer difficile d'entendre le son du caisson de graves.

- Lors de la lecture de contenu compatible avec la technologie de protection des droits d'auteur (HDCP), le son n'est pas émis par le caisson de graves.

Vous n'arrivez pas à obtenir les effets surround.

- Selon le signal d'entrée et le réglage du champ acoustique, le traitement du son surround peut ne pas fonctionner correctement. L'effet surround peut être subtil selon le programme ou le disque en cours de lecture.
- Pour lire un son multicanaux, vérifiez le réglage de sortie du son numérique sur l'appareil raccordé au système. Pour plus d'informations, reportez-vous au mode d'emploi qui accompagne l'appareil raccordé.

BLUETOOTH

La connexion BLUETOOTH ne peut pas être finalisée.

- Assurez-vous que le témoin (bleu) de la barre de haut-parleurs est allumé (consultez la section « Écoute du son depuis des dispositifs BLUETOOTH » dans le Guide de démarrage fourni).

État du système	État du témoin (bleu)
Pendant l'appairage BLUETOOTH	Clignote rapidement
Le système tente de se connecter à un dispositif BLUETOOTH.	Clignote
Le système a établi une connexion avec un dispositif BLUETOOTH.	Allumé
Le système est en mode veille BLUETOOTH (lorsque le système est hors tension).	Éteint

- Assurez-vous que le dispositif BLUETOOTH à connecter est bien sous tension et que la fonction BLUETOOTH est activée.
- Rapprochez le système et le dispositif BLUETOOTH.
- Appairez de nouveau le système et le dispositif BLUETOOTH. Vous devez peut-être d'abord annuler l'appairage avec ce système à l'aide de votre dispositif BLUETOOTH.
- Réglez « BT PWR (Activation BLUETOOTH) » sur « ON » s'il est réglé sur « OFF » (page 16).

L'appairage ne fonctionne pas.

- Rapprochez ce système et le dispositif BLUETOOTH (consultez la section « Écoute du son depuis des dispositifs BLUETOOTH » du Guide de démarrage fourni).
- Assurez-vous que ce système ne reçoit pas d'interférences provenant d'un équipement de réseau local sans fil, d'autres dispositifs sans fil 2,4 GHz ou d'un four à micro-ondes. Si un dispositif générant des radiations électromagnétiques est situé à proximité, éloignez le dispositif de ce système.

Le dispositif BLUETOOTH connecté n'émet aucun son.

- Assurez-vous que le témoin (bleu) de la barre de haut-parleurs est allumé (consultez la section « Écoute du son depuis des dispositifs BLUETOOTH » dans le Guide de démarrage fourni).
- Rapprochez le système et le dispositif BLUETOOTH.
- Si un dispositif générant des radiations électromagnétiques, tel qu'un équipement de réseau local sans fil, d'autres dispositifs BLUETOOTH ou un four à micro-ondes, est situé à proximité, éloignez le dispositif de ce système.
- Retirez tout obstacle pouvant se trouver entre le système et le dispositif BLUETOOTH ou éloignez le système de cet obstacle.
- Repositionnez le dispositif BLUETOOTH connecté.
- Réglez la fréquence de réseau local sans fil des routeurs Wi-Fi ou ordinateurs se trouvant à proximité sur la bande 5 GHz.
- Montez le volume du dispositif BLUETOOTH connecté.

Le son n'est pas synchronisé avec l'image.

- Lors du visionnage d'un film, vous pourriez constater un décalage entre le son et l'image.

SON SANS FIL

Le caisson de graves n'émet aucun son.

- Vérifiez que le cordon d'alimentation du caisson de graves est correctement raccordé. (Consultez la section « Mise sous tension du système » dans le Guide de démarrage fourni.)

- Le témoin marche/arrêt de la barre de haut-parleurs ne s'allume pas.
 - Vérifiez que le cordon d'alimentation du caisson de graves est correctement raccordé.
 - Appuyez sur le bouton **I/⏻** (marche/arrêt) du caisson de graves pour le mettre sous tension.
- Le témoin marche/arrêt de la barre de haut-parleurs clignote lentement en vert ou s'allume en rouge.
 - Approchez le caisson de graves de la barre de haut-parleurs afin que le témoin marche/arrêt de la barre de haut-parleurs s'allume en vert.
 - Suivez les étapes de la section « Activation de la fonction Secure Link » (page 9).
 - Vérifiez l'état de la connexion du système audio sans fil avec l'option « LNK.CHK » du menu (page 17).
- Le témoin marche/arrêt de la barre de haut-parleurs clignote rapidement en vert.
 - Consultez votre revendeur Sony le plus proche.
- Le témoin marche/arrêt de la barre de haut-parleurs clignote en rouge.
 - Appuyez sur le bouton **I/⏻** (marche/arrêt) du caisson de graves pour le mettre hors tension et vérifiez si l'orifice de ventilation du caisson de graves est bien dégagé.
- Le caisson de graves est conçu pour reproduire les sons graves. Lorsque la source d'entrée contient très peu de sons graves, comme c'est le cas pour la plupart des émissions de télévision, les graves peuvent ne pas être audibles.
- Appuyez sur le bouton **SW VOL +** de la télécommande pour augmenter le volume du caisson de graves (reportez-vous à la section « Composants et commandes » (page 27)).

Le son présente des interruptions ou des parasites.

- Si un dispositif générant des ondes électromagnétiques, tel qu'un réseau local sans fil ou un four à micro-ondes en cours d'utilisation, se trouve à proximité, éloignez-le du système.
- Si un obstacle est présent entre la barre de haut-parleurs et le caisson de graves, déplacez-le ou retirez-le.
- Placez la barre de haut-parleurs et le caisson de graves aussi proches que possible.

- Réglez la fréquence de réseau local sans fil des routeurs Wi-Fi ou ordinateurs se trouvant à proximité sur la bande 2,4 GHz.
- Passez la connexion de réseau local du téléviseur ou du lecteur Blu-ray Disc de sans fil à filaire.

TÉLÉCOMMANDE

La télécommande de ce système ne fonctionne pas.

- Dirigez la télécommande vers le capteur de télécommande situé sur la barre de haut-parleurs (reportez-vous à la section « Composants et commandes » (page 25)).
- Retirez tous les obstacles se trouvant entre la télécommande et le système.
- Si les piles de la télécommande sont usées, remplacez-les.
- Assurez-vous d'appuyer sur le bon bouton de la télécommande.

La télécommande du téléviseur ne fonctionne pas.

- Ce problème peut être résolu en activant la fonction de répétition IR (page 8).

AUTRES

La fonction Commande pour HDMI ne fonctionne pas correctement.

- Vérifiez la connexion HDMI (consultez la section « Raccordement » du Guide de démarrage fourni).
- Réglez la fonction Commande pour HDMI sur le téléviseur. Consultez le mode d'emploi fourni avec le téléviseur pour connaître ses réglages.
- Assurez-vous que tout appareil raccordé est compatible avec « BRAVIA » Sync.
- Vérifiez les réglages de la Commande pour HDMI sur l'appareil raccordé. Consultez le mode d'emploi fourni avec l'appareil raccordé.
- Si vous connectez/déconnectez le cordon d'alimentation, attendez au moins 15 secondes pour faire fonctionner le système.
- Si vous raccordez la sortie audio de l'appareil vidéo au système à l'aide d'un câble autre qu'un câble HDMI, aucun son ne peut être émis en raison du « BRAVIA » Sync. Dans ce cas, réglez « CTRL (Commande pour HDMI) » sur « OFF » (page 16) ou connectez le câble de la prise de sortie audio de l'appareil vidéo directement au téléviseur.

« PRTECT (protéger) » apparaît sur l'écran de la barre de haut-parleurs.

→ Appuyez sur le bouton I/⏻ (marche/arrêt) pour mettre le système hors tension. Lorsque le témoin s'éteint, débranchez le cordon d'alimentation, puis vérifiez que les orifices de ventilation du système ne sont pas obstrués.

Les capteurs du téléviseur ne fonctionnent pas correctement.

→ La barre de haut-parleurs peut bloquer certains capteurs (tels que le capteur de luminosité) ainsi que le capteur de télécommande du téléviseur ou l'« émetteur pour lunettes 3D (transmission infrarouge) » d'un téléviseur 3D prenant en charge le système de lunettes 3D infrarouge. Éloignez la barre de haut-parleurs du téléviseur à une distance leur permettant de fonctionner correctement. Pour connaître l'emplacement des capteurs et du capteur de la télécommande, consultez le mode d'emploi fourni avec le téléviseur.

RÉINITIALISER

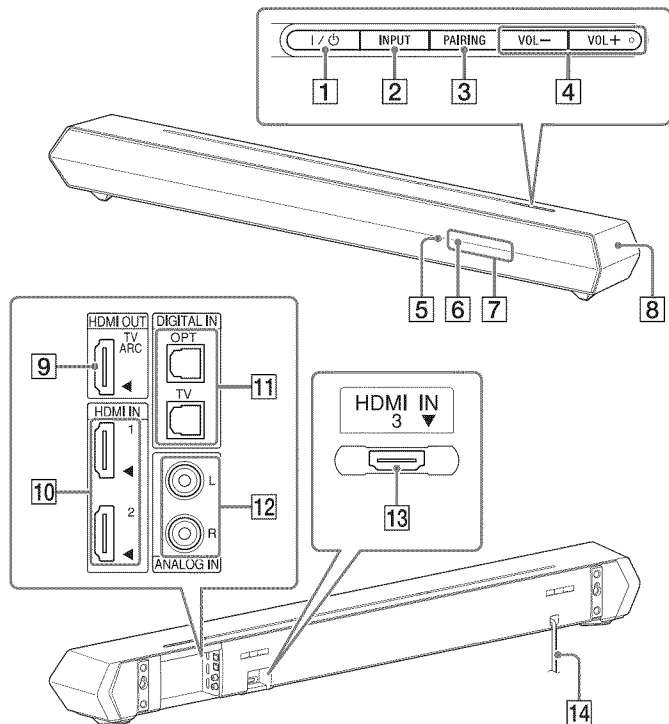
Si le système ne fonctionne toujours pas correctement, réinitialisez-le comme suit :

- 1 Appuyez sur le bouton I/⏻ (marche/arrêt) de la télécommande pour mettre la barre de haut-parleurs sous tension.**
- 2 Appuyez sur le bouton MENU de la télécommande.**
- 3 Appuyez plusieurs fois sur le bouton ↑ ↓ (sélection) jusqu'à ce que « SYSTEM » apparaisse, puis appuyez sur le bouton ENTER (entrée).**
- 4 Appuyez plusieurs fois sur le bouton ↑ ↓ (sélection) jusqu'à ce que « SYS.RST » apparaisse, puis appuyez sur le bouton ENTER (entrée) (page 17).**
- 5 Appuyez sur le bouton ENTER (entrée) après l'affichage de « START ».**
« RESET » apparaît sur l'écran et les réglages du menu et des champs acoustiques, etc. reviennent à leur état initial.

- 6 Débranchez le cordon d'alimentation une fois que « RESET » disparaît de l'écran.**

Composants et commandes

Barre de haut-parleurs



Avant/Haut

- 1 Bouton I/⏻ (marche/arrêt)
- 2 Bouton INPUT
- 3 Bouton PAIRING
- 4 Boutons VOL +/- (volume)
- 5 Capteur de télécommande
- 6 Témoin

- Allumé (blanc) : sous tension et l'écran est éteint.
- Clignote rapidement (bleu) : pendant l'appairage BLUETOOTH.
- Clignote (bleu) : tentative de connexion à un dispositif BLUETOOTH.
- Allumé (bleu) : connexion BLUETOOTH établie.

7 Écran

8 Marque N

Lorsque vous utilisez la fonction NFC, touchez votre appareil NFC sur la marque.

Arrière

9 Prise HDMI OUT (TV ARC)

10 Prises HDMI IN 1/2

11 Prises DIGITAL IN (OPT/TV)

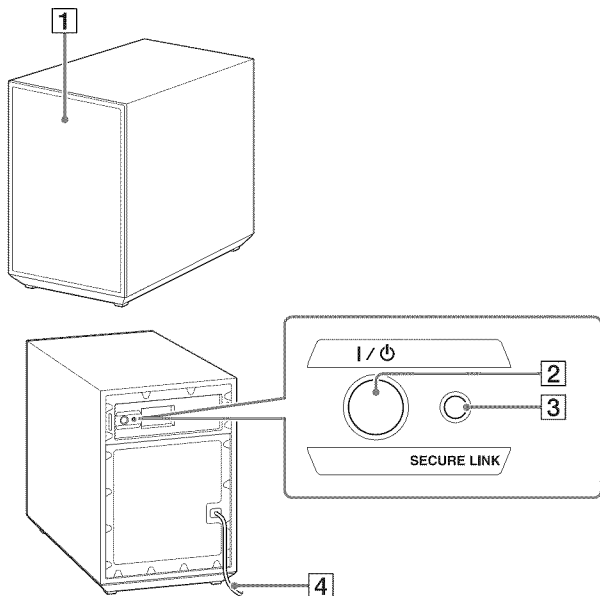
12 Prises ANALOG IN (L/R)

13 Prise HDMI IN 3

Lorsque vous utilisez une prise HDMI IN 3 de la barre de haut-parleurs accrochée au mur, branchez le câble HDMI haut débit articulé.

14 Cordon d'alimentation

Caisson de graves



1 **Témoïn marche/arrêt**

- Allumé (rouge) : hors tension.

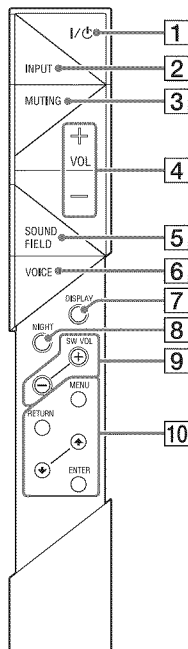
- Allumé (vert) : sous tension.

- Allumé (jaune) : la connexion SECURE LINK est établie.

2 **Bouton I/0 (marche/arrêt)**

3 **Bouton SECURE LINK**

4 **Cordon d'alimentation**



- 1** Bouton I/⏻ (marche/arrêt)
- 2** Bouton INPUT
- 3** Bouton MUTING
- 4** Boutons VOL +/- (volume)
- 5** Bouton SOUND FIELD*
- 6** Bouton VOICE*
- 7** Bouton DISPLAY

Il est possible de modifier la luminosité de l'écran.

Lumineux → Sombre → Désactivé

- Lorsque la luminosité de l'écran est réglée sur « Désactivé », l'écran s'éteint après avoir affiché l'état d'exécution pendant plusieurs secondes.
- Lorsque le réglage passe de « Désactivé » à « Lumineux », l'écran affiche des informations sur le flux audio.

- 8** Bouton NIGHT (mode nuit)*
- 9** Boutons SW VOL +/- (volume du caisson de graves)
Règle le volume des sons graves.
- 10** Boutons MENU/↑ ↓ (sélection)/ENTER/RETURN

Sélectionnez le réglage de votre choix en appuyant sur les boutons ↑ ↓ (sélection), puis enregistrez-le en appuyant sur le bouton ENTER.

- * Consultez la section « Appréciation des effets sonores » du Guide de démarrage fourni.

Caractéristiques

Barre de haut-parleurs (SA-ST5)

Partie amplificateur

Modèles des États-Unis :

PUISSANCE DE SORTIE ET DISTORSION HARMONIQUE TOTALE :
(FTC)

Avant G + avant D :

Avec des charges de 8 ohms, les deux canaux étant excités, de 200 à 20 000 Hz ; puissance efficace minimale de 15 Watts par canal, avec une distorsion harmonique totale maximale de 1 % de la puissance de sortie nominale de 250 milliwatts.

PUISSANCE DE SORTIE (référence)

Blocs de haut-parleurs avant G/avant D : 40 Watts (par canal à 8 ohms, 1 kHz)

Bloc de haut-parleurs central : 40 Watts (par canal à 8 ohms, 1 kHz)

Modèles du Canada :

PUISSANCE DE SORTIE (nominale)

Avant G + avant D : 35 W + 35 W
(à 8 ohms, 1 kHz, 1 % THD)

PUISSANCE DE SORTIE (référence)

Blocs de haut-parleurs avant G/avant D : 40 Watts (par canal à 8 ohms, 1 kHz)

Bloc de haut-parleurs central : 40 Watts (par canal à 8 ohms, 1 kHz)

Entrées

HDMI IN 1/2/3*

OPTICAL IN (OPT/TV)

ANALOG IN

* Ces 3 prises sont identiques. Utiliser l'une ou l'autre ne fait aucune différence.

Sortie

HDMI OUT (TV ARC)

Section BLUETOOTH

Système de communication

BLUETOOTH Spécification version 3.0

Sortie

BLUETOOTH Classe 2 de puissance de la norme

Portée maximum de communication

Visibilité directe d'environ 10 m (33 pi)¹⁾

Nombre maximal de dispositifs à enregistrer

9 dispositifs

Bande de fréquence

Bande 2,4 GHz (2,4000 GHz à 2,4835 GHz)

Méthode de modulation

FHSS (Freq Hopping Spread Spectrum)

Profil BLUETOOTH compatibles²⁾

A2DP 1.2 (Advanced Audio Distribution Profile)

AVRCP 1.3 (Audio Video Remote Control Profile)

Codecs pris en charge³⁾

SBC⁴⁾, AAC⁵⁾, aptX

Portée de transmission (A2DP)

20 Hz - 20 000 Hz (fréquence d'échantillonnage 44,1 kHz)

- 1) La portée réelle variera selon des facteurs tels que les obstacles entre les dispositifs, les champs magnétiques autour d'un four à micro-ondes, de l'électricité statique, d'un téléphone sans fil, de la sensibilité de réception, du fonctionnement du système, de l'application logicielle, etc.
- 2) Les profils BLUETOOTH standard indiquent le but de la communication BLUETOOTH entre les dispositifs.
- 3) Codec : Format de compression et de conversion de signal audio
- 4) Codec de sous-bande
- 5) Codage audio avancé

Blocs de haut-parleurs avant G/avant D

Système de haut-parleur

Système de haut-parleur bidirectionnel, suspension acoustique

Haut-parleur

Haut-parleur de graves : 60 mm (2 3/8 po) de type conique

Haut-parleur d'aigus : Type Balance Drive 20 mm (13/16 po)

Impédance nominale

8 ohms

Bloc de haut-parleurs central

Système de haut-parleur
Système de haut-parleur pleine gamme, suspension acoustique
Haut-parleur (5 haut-parleurs)
60 mm (2 3/8 po) de type conique
Impédance nominale
8 ohms

Caractéristiques générales

Puissance de raccordement
120 V CA, 60 Hz
Consommation électrique
Marche : 55 W
Mode veille : 0,5 W ou moins
Mode veille BLUETOOTH : 0,5 W ou moins
Dimensions (approx.) (l/h/p)
1 030 mm × 120 mm × 120 mm (40 5/8 po × 4 3/4 po × 4 3/4 po) (avec socles)
1 030 mm × 101 mm × 116 mm (40 5/8 po × 4 po × 4 5/8 po) (sans socles)
Poids (approx.)
6,1 kg (13 lb 7 1/8 oz)

Caisson de graves (SA-WST5)

PUISSANCE DE SORTIE (référence)
100 W (par canal à 4 ohms, 100 Hz)
Système de haut-parleur
Caisson de graves, suspension acoustique
Haut-parleur
180 mm (7 1/8 po) de type conique
Impédance nominale
4 ohms
Puissance de raccordement
120 V CA, 60 Hz
Consommation électrique
Marche : 30 W
Mode veille : 0,5 W ou moins
Dimensions (approx.)
242 mm × 355 mm × 407 mm (9 5/8 po × 14 po × 16 1/8 po) (l/h/p)
Poids (approx.)
11 kg (24 lb 4 oz)

Section transmetteur/récepteur sans fil

Système de communication
Norme de son sans fil version 3.0
Bande de fréquence
5,2 GHz (5,180 GHz à 5,240 GHz)
5,8 GHz (5,736 GHz à 5,814 GHz)
Méthode de modulation
DSSS

Formats d'entrée audio numériques pris en charge par le système

Dolby Digital	DTS-HD Master Audio*
Dolby Digital Plus*	DTS-HD High-Resolution Audio*
Dolby TrueHD*	DTS-HD Low Bit Rate*
DTS	Linear PCM 2ch 48 kHz o moins
DTS 96/24	Linear PCM Maximum 7.1ch 192 kHz o moins*

* Il est possible de saisir ces formats uniquement avec une connexion HDMI.

Formats vidéo pris en charge par le système

Entrée/Sortie (Bloc de répétition HDMI)

Format	2D	3D		
		Paquet d'images	Côte à côte (Demi)	Dessus-dessous (haut-et-bas)
4096 × 2160p @ 59,94/60 Hz ^{*1}	○	-	-	-
4096 × 2160p @ 50 Hz ^{*1}	○	-	-	-
4096 × 2160p @ 23,98/24 Hz ^{*2}	○	-	-	-
3840 × 2160p @ 59,94/60 Hz ^{*1}	○	-	-	-
3840 × 2160p @ 50 Hz ^{*1}	○	-	-	-
3840 × 2160p @ 29,97/30 Hz ^{*2}	○	-	-	-
3840 × 2160p @ 25 Hz ^{*2}	○	-	-	-
3840 × 2160p @ 23,98/24 Hz ^{*2}	○	-	-	-
1920 × 1080p @ 59,94/60 Hz	○	-	○	○
1920 × 1080p @ 50 Hz	○	-	○	○
1920 × 1080p @ 29,97/30 Hz	○	○	○	○
1920 × 1080p @ 25 Hz	○	○	○	○
1920 × 1080p @ 23,98/24 Hz	○	○	○	○
1920 × 1080i @ 59,94/60 Hz	○	○	○	○
1920 × 1080i @ 50 Hz	○	○	○	○
1280 × 720p @ 59,94/60 Hz	○	○	○	○
1280 × 720p @ 50 Hz	○	○	○	○
1280 × 720p @ 29,97/30 Hz	○	○	○	○
1280 × 720p @ 23,98/24 Hz	○	○	○	○
720 × 480p @ 59,94/60 Hz	○	-	-	-
720 × 576p @ 50 Hz	○	-	-	-
640 × 480p @ 59,94/60 Hz	○	-	-	-

^{*1} YCbCr 4:2:0/Prise en charge du format 8 bits uniquement

^{*2} Prise en charge du format 8 bits uniquement

La conception et les caractéristiques sont sujettes à modification sans préavis.

HDMI

<http://www.sony.net/>

©2014 Sony Corporation Printed in Malaysia



* 4 5 3 8 2 9 1 1 1 * (1)

4-538-291-11(1)