

AS3020 – AS3039 series

Upright vacuum cleaner; household type

Owner's Guide

Thank you for purchasing your new Eureka vacuum!

Important instructions

To view an assembly video, go to Eureka.com/videos or scan QR code. If you have questions about your new vacuum, please contact our customer service helpline at **1-800-282-2886**. *We're here to help!*



Promotional code: **eurekaad15**

Special Offer – receive 15% off parts and accessories when ordering online. Promotion excludes vacuums.

Guía del Propietario

¡Gracias por la compra de su nueva aspiradora Eureka!

Pour visualiser la vidéo d'assemblage, rendez-vous à l'adresse Eureka.com/videos ou balayez le code QR. Si tiene alguna pregunta sobre su nueva aspiradora, por favor contacte a nuestra línea de ayuda de atención al cliente llamando al **1-800-282-2886**. *¡Estamos aquí para ayudarle!*

Código de promoción: **eurekaad15**

Oferta especial – reciba un 15% de descuento en piezas y accesorios cuando haga su pedido en línea. Esta promoción no incluye aspiradoras.

Le Guide du Propriétaire

Merci d'avoir acheté votre nouvel aspirateur Eureka!

Pour visualiser la vidéo d'assemblage, rendez-vous à l'adresse Eureka.com/videos ou balayez le code QR. Si vous avez des questions au sujet de votre nouvel aspirateur, veuillez contacter notre Ligne d'aide du Service à la clientèle au **1-800-282-2886**. *Nous sommes là pour vous aider!*

Code de promotion : **eurekaad15**

Offre spéciale – recevez 15% de réduction sur les pièces et les accessoires lorsque vous commandez en ligne. La promotion exclut les aspirateurs.

www.eureka.com

© 2015 Electrolux Home Care Products, Inc. Printed in China PN88305_rev5



eureka®

Where to find important vacuum information

Keep this information

Write the model, type and serial number here:

Date of purchase (keep your receipt) _____

Model number and type _____

Serial number _____

Find these numbers on a label on the middle back side of the vacuum cleaner. Refer to these numbers when ordering parts and accessories or if service is needed.

Guarde esta información

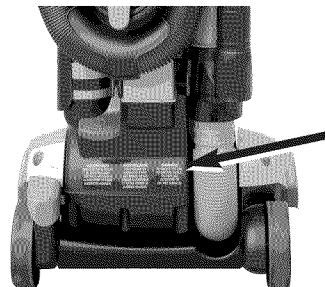
Escriba aquí el modelo, tipo y número de serie:

Fecha de la compra (guardé su recibo) _____

Número del modelo y tipo _____

Número de serie _____

Estos números se encuentran en una etiqueta que se halla en el lado posterior inferior de la Vac & Steam. Mencione estos números al ordenar piezas y accesorios, o si se necesita servicio de mantenimiento.



Conservez cette information

Écrivez le modèle, le type et le numéro de série ici :

Date d'achat (conservez votre reçu) _____

Numéro de modèle et type _____

Numéro de série _____

Vous trouverez ces numéros sur une étiquette à l'arrière de l'aspirateur dans la partie inférieure. Reportez-vous à ces numéros en commandant des pièces, des accessoires ou s'il faut du service.

Before you start your vacuum cleaner

Refer to Quick Start Guide for assembly and use. This Owner's Guide provides important instructions to prolong the life of your Eureka vacuum cleaner.

Registration: To register your product visit www.eureka.com and click on the 'Register Your Product' link in the top right corner.

Inspection: Carefully unpack and inspect your new Eureka vacuum cleaner for shipping damage. Each unit is tested and thoroughly inspected before shipping. For instructions regarding any shipping damage, call Eureka Customer Service **HELPLINE 1-800-282-2886** immediately.

Antes de hacer funcionar su aspiradora

Consulte la Guía Rápida para Empezar, para obtener información sobre el ensamble y el uso. Esta guía del propietario le proporcionará instrucciones importantes para prolongar la vida de su aspiradora Eureka.

Registro: Para registrar su producto visite www.eureka.com y haga clic en el enlace 'Register Your Product' en la esquina superior derecha.

Inspección: Con cuidado, desempaqué e inspeccione su nueva aspiradora Eureka para ver si ha ocurrido algún daño durante el envío. A cada unidad se la somete a pruebas y se la inspecciona completamente antes de su envío. Para recibir instrucciones con respecto a cualquier daño ocurrido durante el envío, llame inmediatamente a la **LÍNEA DE AYUDA** del Servicio al Cliente de Eureka, al **1-800-282-2886**.

Avant d'utiliser votre aspirateur

Reportez-vous au guide de démarrage rapide pour l'assemblage et l'utilisation. Ce guide du propriétaire fournira des instructions importantes pour prolonger la durée de vie utile de votre aspirateur Eureka.

Enregistrement : Pour enregistrer votre produit, visitez www.eureka.com et cliquez sur le lien « Enregistrer votre produit » dans le coin supérieur droit.

Inspection : Déballez et inspectez avec soin votre nouvel aspirateur Eureka pour tout signe de dommage pendant l'expédition. Chaque appareil est testé et bien inspecté avant son expédition. Pour obtenir des instructions au sujet des dommages en expédition, appelez immédiatement la **LIGNE D'AIDE** du service à la clientèle au **1-800-282-2886**.

IMPORTANT SAFEGUARDS

When using an electrical appliance, basic precautions should always be followed, including the following:

READ ALL INSTRUCTIONS BEFORE USING THIS VACUUM CLEANER WARNING



To reduce the risk of fire, electric shock, or injury:

- Do not use outdoors or on wet surfaces.
- **Do not leave vacuum cleaner when plugged in.** Turn off the switch and unplug the electrical cord when not in use and before servicing.
- Do not allow to be used as a toy. Close attention is necessary when used by or near children.
- Use only as described in this manual. Use only manufacturer's recommended attachments.
- Do not use with damaged cord or plug. If vacuum cleaner is not working as it should, has been dropped, damaged, left outdoors, or dropped into water, return it to a service center before using.
- Do not pull or carry by cord. Do not use cord as a handle. Do not close a door on cord or pull cord around sharp edges or corners. Do not run vacuum cleaner over cord. Keep cord away from heated surfaces.
- Do not use extension cords or outlets with inadequate current carrying capacity.
- Turn off all controls before unplugging.
- Do not unplug by pulling on cord. To unplug, grasp the plug, not the cord.
- **Cord rewind models:** Hold plug when rewinding into cord reel. Do not allow plug to whip when rewinding.
- Do not handle plug or vacuum cleaner with wet hands.
- Do not put any object into openings. Do not use with any opening blocked; keep free of dust, lint, hair, and anything that may reduce airflow.
- This vacuum cleaner creates suction and contains a revolving brush roll. Keep hair, loose clothing, fingers, and all parts of body away from openings and moving parts.
- Do not place vacuum cleaner on furniture or stairs as the brush roll may cause damage. Use extra care when cleaning stairs. Place vacuum cleaner on floor with the handle in storage position while using attachments.
- Do not pick up anything that is burning or smoking, such as cigarettes, matches, or hot ashes.
- Do not use without dust cup, filter, screen and exhaust filter in place.
- Belt pulleys can become hot during normal use. To prevent burns, avoid touching the belt pulley when servicing the drive belt.
- Do not use to pick up flammable or combustible liquids such as gasoline, or use in areas where they may be present.
- Store your vacuum cleaner indoors in a cool, dry area.
- Keep your work area well lighted.
- Unplug electrical appliances before vacuuming them.
- Unplug before connecting turbo nozzle.
- **WARNING:** This product contains chemicals known to the State of California to cause cancer, birth defects or reproductive harm. **WASH HANDS AFTER HANDLING**

SAVE THESE INSTRUCTIONS



To reduce the risk of electric shock, this appliance has a polarized plug (one blade is wider than the other). This plug will fit in a polarized outlet only one way. If the plug does not fit fully into the outlet, reverse the plug. If it still does not fit, contact a qualified electrician to install the proper outlet. Do not change the plug in any way.

Motor

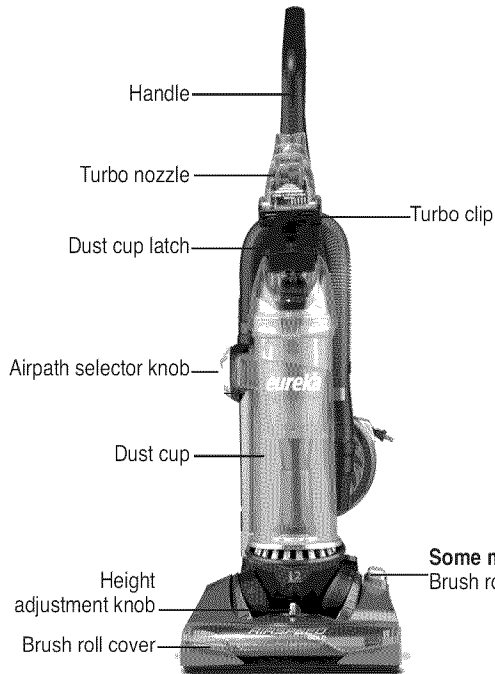
Do Not Oil the motor or the brush roll at any time. The bearings are permanently lubricated and sealed.

Eureka Customer Service HELPLINE 1-800-282-2886

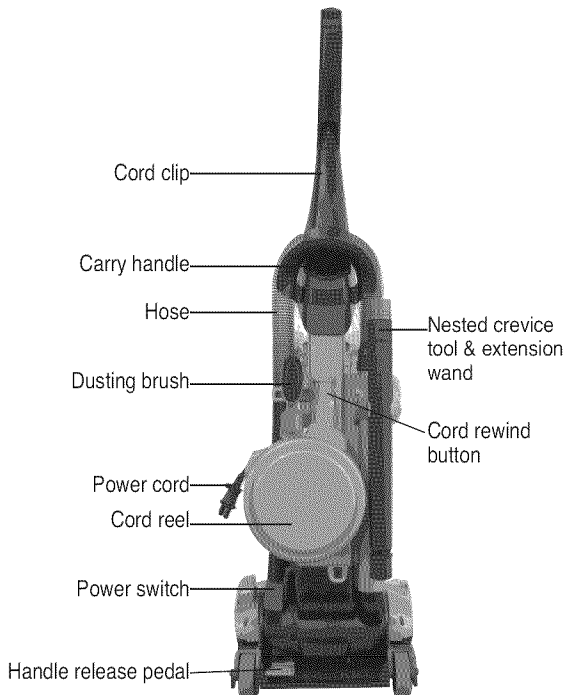
www.eureka.com

ENGLISH

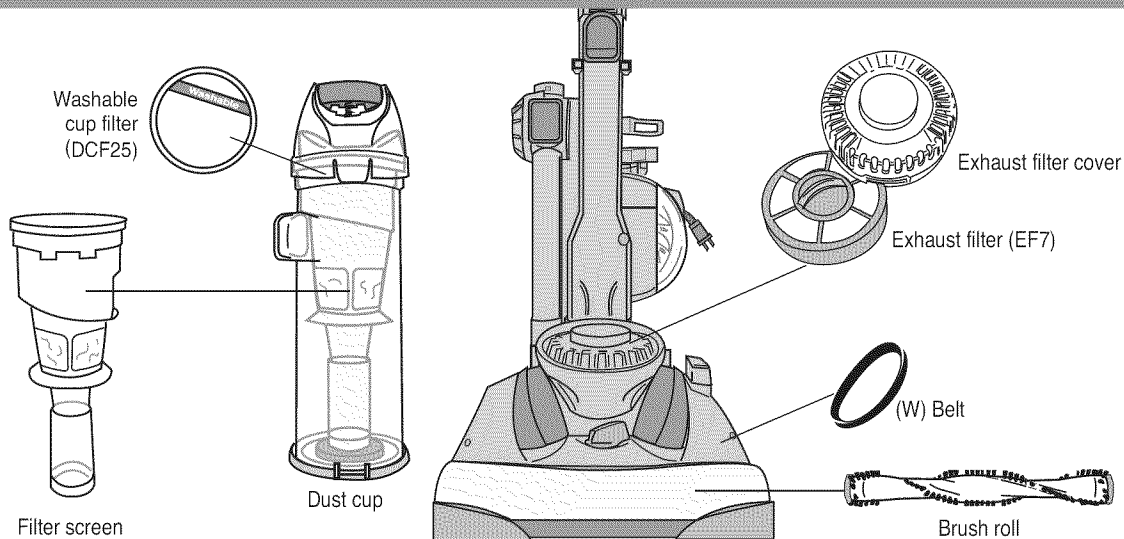
How to identify parts of your vacuum cleaner




Some models:
Brush roll on/off pedal



NOTE: For further instructions, see Owners Guide at www.eureka.com



Problem solving

 **Make sure vacuum is turned off and power cord is unplugged.**

NOTICE: Thermal cut-off

This vacuum cleaner has a special thermostat that protects the vacuum in case of motor overheating. **If the vacuum suddenly shuts off**, proceed as follows: 1) Push the power switch to off and unplug the vacuum. 2) Check the vacuum for a possible source of overheating such as a full dust cup, blocked hose or clogged filter. If these conditions are found, fix them and wait at least **30 minutes** before attempting to use the vacuum. 3) After the 30 minute period, plug the vacuum back in and turn on the switch. If the vacuum still does not work, call the Eureka customer service helpline.

Problem	Solution
Motor will not start.	<ul style="list-style-type: none"> • Push plug securely into outlet, try another outlet or check circuit breaker. • Step on power switch to turn vacuum on. • See detailed "thermal cut-off" instructions above.
Vacuum does not clean carpet or bare floor.	<ul style="list-style-type: none"> • Turn air path selector knob to 'FLOORS.' • Empty dust cup, clean and/or change filter. • Clean or replace filters regularly to maintain suction. See www.eureka.com.
No suction at the end of hose.	<ul style="list-style-type: none"> • Make sure airpath selector knob is set to 'TOOLS.' • Remove clogs from the hose that restrict the airflow. See www.eureka.com. • See other solutions above.
Burning smell; brush roll will not turn.	<ul style="list-style-type: none"> • Check brush roll for debris. • Replace broken or out of shape belt. See www.eureka.com.
Cord will not rewind fully.	<ul style="list-style-type: none"> • Pull out entire cord removing any kinks, and push cord rewind button to rewind completely.
Turbo nozzle will not turn.	<ul style="list-style-type: none"> • Check turbo nozzle for debris. • Make sure air path selector knob is set to 'TOOLS.'
Vacuum is hard to push.	<ul style="list-style-type: none"> • Adjust vacuum height knob to a higher position.

The Eureka limited warranty

Eureka warrants this vacuum cleaner to be free from defects in material and workmanship for a term of three years for normal household use. Warranty is granted only to the original purchaser and members of immediate household.

This warranty is good for three years from the date of purchase only when the vacuum cleaner is used in the accordance with Eureka operating instructions. **Note:** refurbished or remanufactured products have a one year limited warranty.

This warranty does not cover

- Parts of the vacuum that require replacement under normal use such as disposable dust bags, filters, drive belts, light bulbs, brush roll, bristles, impellers and cleaning.
- Damages or malfunctions caused by negligence, abuse, and use not in accordance with the Owner's Guide.
- Defects or damages caused by unauthorized service or the use of other than Genuine Eureka, ARM & HAMMER™ and Filtrite™ by 3M parts.

What Eureka will do

Eureka will, at its option, repair or replace a defective vacuum or vacuum part that is covered by this warranty. As a matter of warranty policy, **Eureka will not refund the consumer's purchase price.**

Obtaining warranty service

To obtain warranty service you must return the vacuum or vacuum part along with "proof of purchase" to any Eureka Authorized Warranty Station. For Eureka Authorized Warranty Station or Service Information, visit www.eureka.com, write or telephone toll free:

USA: 1-800-282-2886
Electrolux Home Care
North America Service Division
P.O. Box 3900
Peoria, IL 61612

Canada: 1-800-282-2886
Electrolux Home Care
North America Service Division
5855 Terry Fox Way
Mississauga, Ontario L5V 3E4

Obtaining warranty service outside your community

You must pay the shipping charges to the Eureka Authorized Warranty Station.

Return shipping charges will be paid by the Warranty Station. When returning parts for repair, please include the model, type and serial number located on the rating plate on the lower backside of the vacuum.

Further limitations and exclusions

Any warranty that may be implied in connection with your purchase or use of the vacuum, including any warranty of Merchantability or any warranty for Fitness For A Particular Purpose is limited to the duration of this warranty. Some states do not allow limitations on how long an implied warranty lasts, so the above limitations may not apply to you.

Your relief for the breach of this warranty is limited to the relief expressly provided above. In no event shall the manufacturer be liable for any consequential or incidental damages you may incur in connection with your purchase or use of the vacuum.

Some states do not allow the exclusion or limitation of incidental or consequential damages, so the above limitation or exclusion may not apply to you.

This warranty gives you specific legal rights. You may also have other rights, which may vary by state.

The ARM & HAMMER name is a trademark of Church and Dwight Co., Inc. 3M and Filtrite are trademarks of 3M Company, used by Electrolux Home Care Products, Inc. under license.

ENGLISH