



---

# 36" AND 42" (91.4 CM AND 106.7 CM) ISLAND CANOPY RANGE HOOD

## Installation Instructions and Use & Care Guide

For questions about features, operation/performance, parts, accessories or service, call: **1-800-422-1230**  
or visit our website at **www.kitchenaid.com**

In Canada, for assistance, installation and service, call: **1-800-807-6777**  
or visit our website at **www.kitchenaid.ca**

---

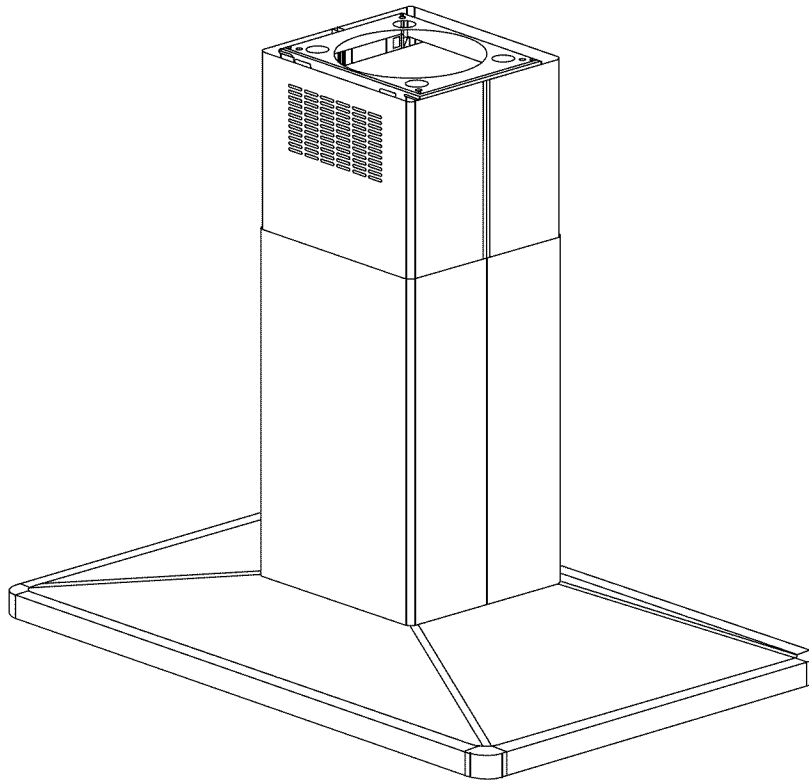
# HOTTE DE CUISINIÈRE EN ÎLOT DE 36" ET 42" (91,4 CM ET 106,7 CM)

## Instructions d'installation et Guide d'utilisation et d'entretien

Au Canada, pour assistance, installation ou service composez le **1-800-807-6777**  
ou visitez notre site Web à **www.kitchenaid.ca**

---

Table of Contents/Table des matières.....2



**IMPORTANT: READ AND SAVE THESE INSTRUCTIONS.  
FOR RESIDENTIAL USE ONLY.**  
**IMPORTANT : LIRE ET CONSERVER CES INSTRUCTIONS.  
POUR UTILISATION RÉSIDENIELLE UNIQUEMENT.**

# TABLE OF CONTENTS

<b>RANGE HOOD SAFETY</b> .....	<b>2</b>
<b>INSTALLATION REQUIREMENTS</b> .....	<b>4</b>
Tools and Parts .....	4
Location Requirements .....	4
Venting Requirements .....	5
Electrical Requirements .....	6
<b>INSTALLATION INSTRUCTIONS</b> .....	<b>7</b>
Prepare Location .....	7
Assemble and Install Range Hood .....	8
Make Electrical Connection .....	9
Install Duct Covers .....	9
Complete Installation .....	11
<b>RANGE HOOD USE</b> .....	<b>11</b>
Controls and Features .....	11
<b>RANGE HOOD CARE</b> .....	<b>12</b>
Cleaning .....	12
<b>WIRING DIAGRAM</b> .....	<b>14</b>
<b>ASSISTANCE OR SERVICE</b> .....	<b>15</b>
In the U.S.A. ....	15
In Canada .....	15
Accessories .....	15
<b>WARRANTY</b> .....	<b>16</b>

# TABLE DES MATIÈRES

<b>SÉCURITÉ DE LA HOTTE DE CUISINIÈRE</b> .....	<b>17</b>
<b>EXIGENCES D'INSTALLATION</b> .....	<b>19</b>
Outils et pièces .....	19
Exigences d'emplacement .....	19
Exigences concernant l'évacuation .....	20
Spécifications électriques .....	21
<b>INSTRUCTIONS D'INSTALLATION</b> .....	<b>22</b>
Préparation de l'emplacement .....	22
Assemblage et installation de la hotte .....	23
Raccordement électrique .....	24
Installation des cache-conduits .....	25
Achever l'installation .....	26
<b>UTILISATION DE LA HOTTE</b> .....	<b>27</b>
Commandes et caractéristiques .....	27
<b>ENTRETIEN DE LA HOTTE</b> .....	<b>28</b>
Nettoyage .....	28
<b>SCHÉMA DE CÂBLAGE</b> .....	<b>30</b>
<b>ASSISTANCE OU SERVICE</b> .....	<b>31</b>
Au Canada .....	31
Accessoires .....	31
<b>GARANTIE</b> .....	<b>32</b>

## RANGE HOOD SAFETY

### Your safety and the safety of others are very important.

We have provided many important safety messages in this manual and on your appliance. Always read and obey all safety messages.



This is the safety alert symbol.

This symbol alerts you to potential hazards that can kill or hurt you and others.

All safety messages will follow the safety alert symbol and either the word "DANGER" or "WARNING."

These words mean:

**⚠ DANGER**

You can be killed or seriously injured if you don't immediately follow instructions.

**⚠ WARNING**

You can be killed or seriously injured if you don't follow instructions.

All safety messages will tell you what the potential hazard is, tell you how to reduce the chance of injury, and tell you what can happen if the instructions are not followed.

State of California Proposition 65 Warnings:

WARNING: This product contains one or more chemicals known to the State of California to cause cancer.

WARNING: This product contains one or more chemicals known to the State of California to cause birth defects or other reproductive harm.

# IMPORTANT SAFETY INSTRUCTIONS

**WARNING:** TO REDUCE THE RISK OF FIRE, ELECTRIC SHOCK, OR INJURY TO PERSONS, OBSERVE THE FOLLOWING:

- Use this unit only in the manner intended by the manufacturer. If you have questions, contact the manufacturer.
- Before servicing or cleaning the unit, switch power off at service panel and lock the service disconnecting means to prevent power from being switched on accidentally. When the service disconnecting means cannot be locked, securely fasten a prominent warning device, such as a tag, to the service panel.
- Installation work and electrical wiring must be done by qualified person(s) in accordance with all applicable codes and standards, including fire-rated construction.
- Do not operate any fan with a damaged cord or plug. Discard fan or return to an authorized service facility for examination and/or repair.
- Sufficient air is needed for proper combustion and exhausting of gases through the flue (chimney) of fuel burning equipment to prevent backdrafting. Follow the heating equipment manufacturer's guideline and safety standards such as those published by the National Fire Protection Association (NFPA), the American Society for Heating, Refrigeration and Air Conditioning Engineers (ASHRAE), and the local code authorities.
- When cutting or drilling into wall or ceiling, do not damage electrical wiring and other hidden utilities.
- Ducted fans must always be vented outdoors.

**CAUTION:** For general ventilating use only. Do not use to exhaust hazardous or explosive materials and vapors.

**CAUTION:** To reduce risk of fire and to properly exhaust air, be sure to duct air outside - do not vent exhaust air into spaces within walls or ceilings, attics or into crawl spaces, or garages.

**WARNING:** TO REDUCE THE RISK OF FIRE, USE ONLY METAL DUCTWORK.

**WARNING:** TO REDUCE THE RISK OF A RANGE TOP GREASE FIRE:

- Never leave surface units unattended at high settings. Boilovers cause smoking and greasy spillovers that may ignite. Heat oils slowly on low or medium settings.
- Always turn hood ON when cooking at high heat or when flambeing food (i.e. Crepes Suzette, Cherries Jubilee, Peppercorn Beef Flambé).
- Clean ventilating fans frequently. Grease should not be allowed to accumulate on fan or filter.
- Use proper pan size. Always use cookware appropriate for the size of the surface element.

**WARNING:** TO REDUCE THE RISK OF INJURY TO PERSONS IN THE EVENT OF A RANGE TOP GREASE FIRE, OBSERVE THE FOLLOWING:<sup>a</sup>

- SMOTHER FLAMES with a close fitting lid, cookie sheet, or metal tray, then turn off the burner. BE CAREFUL TO PREVENT BURNS. If the flames do not go out immediately, EVACUATE AND CALL THE FIRE DEPARTMENT.
- NEVER PICK UP A FLAMING PAN - you may be burned.
- DO NOT USE WATER, including wet dishcloths or towels - a violent steam explosion will result.
- Use an extinguisher ONLY if:
  - You know you have a class ABC extinguisher, and you already know how to operate it.
  - The fire is small and contained in the area where it started.
  - The fire department is being called.
  - You can fight the fire with your back to an exit.

<sup>a</sup>Based on "Kitchen Fire Safety Tips" published by NFPA.

- **WARNING:** To reduce the risk of fire or electrical shock, do not use this fan with any solid-state speed control device.

## READ AND SAVE THESE INSTRUCTIONS

# INSTALLATION REQUIREMENTS

## Tools and Parts

Gather the required tools and parts before starting installation. Read and follow the instructions provided with any tools listed here.

### Tools Needed

- Level
- Drill with 1¼" (3.0 cm), ⅜" (9.5 mm), 7/64" (2.75 mm) and ⅛" (3.0 mm) drill bits
- Pilot hole drill bits (determined by chimney support attachment method)
- Pencil
- Wire stripper or utility knife
- Tape measure or ruler
- Pliers
- Caulking gun and weatherproof caulking compound
- Vent clamps
- Jigsaw or keyhole saw
- Flat-blade screwdriver
- Metal snips
- Phillips screwdriver

### Parts Needed

- Home power supply cable
- ½" (12.7 mm) UL listed or CSA approved strain reliefs (2)
- UL listed wire connectors (3)

### For Vented Installations, You Will Also Need:

- Wall or roof cap (1)
- Metal vent system

### For Non-Vented (Recirculating) Installations, You Will Also Need:

- Recirculating Kit Part Number W10692909 for non-vented (recirculating) installations only. See "Assistance or Service" section to order.
- 6" (15.2 cm) round metal vent duct. Length required is determined by ceiling height.

### Parts Supplied

Remove parts from packages. Check that all parts are included.

- Hood canopy assembly with ventilator, LED and Halogen lights installed.
- Filter—installed in hood canopy
- 4.2 x 8 mm screws (60)
- 5 x 45 mm screws (4)
- Mounting template
- Upper vent covers (2)
- Lower vent covers (2)
- Vent transition with backdraft damper installed
- 3.5 x 9.5 mm mounting screws (2)
- Plastic vent clips (4)
- Upper horizontal support bracket
- Horizontal support
- Vertical supports (8)
- 3.5 x 6.5 mm screws (4)
- 2.9 x 3 mm screws (2)
- T-10 Torx®† adapter
- T20 Torx adapter

†®TORX is a registered trademark of Acument Intellectual Properties, LLC.

## Location Requirements

**IMPORTANT:** Observe all governing codes and ordinances.

Have a qualified technician install the range hood. It is the installer's responsibility to comply with installation clearances specified on the model/serial/rating plate. The model/serial/rating plate is located behind the left filter on the rear wall of the vent hood.

Canopy hood location should be away from strong draft areas, such as windows, doors and strong heating vents.

Cabinet opening dimensions that are shown must be used. Given dimensions provide minimum clearance.

Grounded electrical outlet is required. See "Electrical Requirements" section.

Because of the size and weight of this island hood, the chimney support must be securely attached to the ceiling.

- For plaster or drywall ceilings, the chimney support must be attached to joists. If this is not possible, you must build a support structure behind the plaster or drywall. The support structure must be able to support 100 lbs (45.4 kg).

This range hood is recommended for use with cooktops with a maximum total rating of 65,000 BTUs or less.

The range hood is factory-set for venting through the roof.

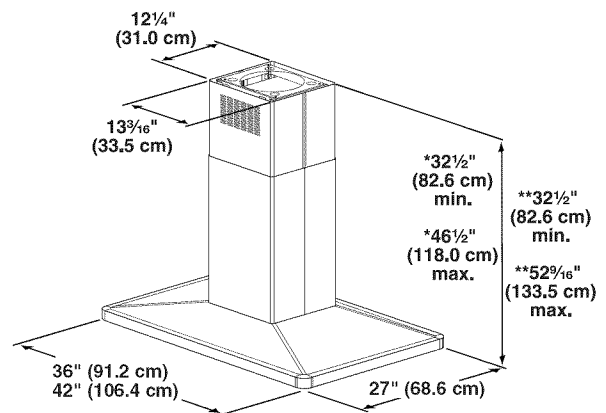
For non-vented (recirculating) installation see "Non-Vented (Recirculating) Installation" in "Install Range Hood" section. Recirculation Kit Part Number W10692909 is available from your dealer or an authorized parts distributor.

All openings in ceiling and wall where range hood will be installed must be sealed.

### For Mobile Home Installations

The installation of this range hood must conform to the Manufactured Home Construction Safety Standards, Title 24 CFR, Part 328 (formerly the Federal Standard for Mobile Home Construction and Safety, Title 24, HUD, Part 280) or when such standard is not applicable, the standard for Manufactured Home Installation 1982 (Manufactured Home Sites, Communities and Setups) ANSI A225.1/NFPA 501A, or latest edition, or with local codes.

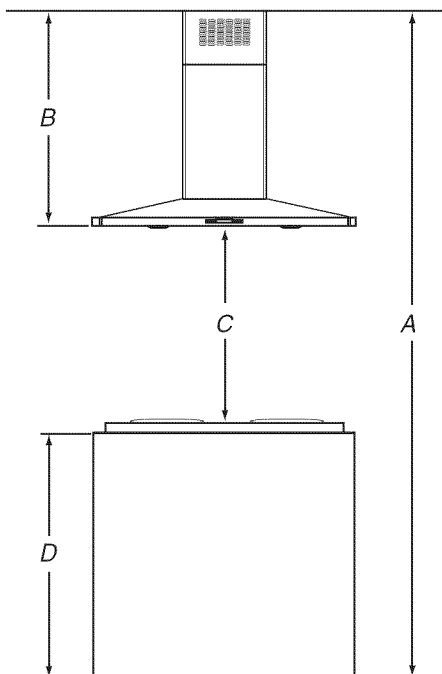
## Product Dimensions



\*Vented installations only

\*\*Non-vented (recirculating) installations only

## Installation Dimensions



- A. Ceiling height  
 B. Hood height from ceiling to bottom of the range hood:  $A - C - D = B$   
 C. 24" (61.0 cm) minimum to 36" (91.4 cm) maximum suggested hood height  
 D. Countertop height

### IMPORTANT:

Minimum distance "C": 24" (61.0 cm) from electric cooking surface.

Minimum distance "C": 27" (68.6 cm) from gas cooking surface.

Suggested maximum distance "C": 36" (91.4 cm)

The chimneys can be adjusted for different ceiling heights. See the following chart.

Vented Installations		
	Min. ceiling height	Max. ceiling height
Electric cooking surface	7' 9" (2.36 m)	9' 10" (3.0 m)
Gas cooking surface	8' (2.44 m)	9' 10" (3.0 m)
Non-Vented (Recirculating) Installations		
	Min. ceiling height	Max. ceiling height
Electric cooking surface	7' 9" (2.36 m)	10' 4" (3.15 m)
Gas cooking surface	8' (2.44 m)	10' 4" (3.15 m)

**\*NOTE:** The range hood chimneys are adjustable and designed to meet varying ceiling or soffit heights, depending on the distance "C" between the bottom of the range hood and the cooking surface. For higher ceilings, a Chimney Extension Kit is available from your dealer or an authorized parts distributor. The chimney extension replaces the upper chimney shipped with the range hood. To order, see the "Assistance or Service" section.

## Venting Requirements

- Vent system must terminate to the outside, except for non-vented (recirculating) installations.
- Do not terminate the vent system in an attic or other enclosed area.
- Do not use 4" (10.2 cm) laundry-type wall caps.
- Use metal vent only. Rigid metal vent is recommended. Do not use plastic or metal foil vent.
- The vent system must have a damper. If the roof or wall cap has a damper, do not use the damper supplied with the range hood.

### For the Most Efficient and Quiet Operation:

- Use a straight run or as few elbows as possible.
- Use no more than three 90° elbows.
- Make sure there is a minimum of 24" (61.0 cm) of straight vent between the elbows, if more than 1 elbow is used.
- Do not install 2 elbows together.
- Use vent clamps to seal all joints in the vent system.
- Use caulking to seal exterior wall or roof opening around the cap.
- The size of the vent should be uniform.

### Cold Weather Installations

An additional back draft damper should be installed to minimize backward cold airflow and a thermal break should be installed to minimize conduction of outside temperatures as part of the vent system. The damper should be on the cold air side of the thermal break.

The break should be as close as possible to where the vent system enters the heated portion of the house.

### Makeup Air

Local building codes may require the use of makeup air systems when using ventilation systems greater than specified CFM of air movement. The specified CFM varies from locale to locale. Consult your HVAC professional for specific requirements in your area.

### Venting Methods

This island hood is factory-set for venting through the roof.

A 6" (15.2 cm) round vent system is needed for installation (not included). The hood exhaust opening is 6" (15.2 cm) round.

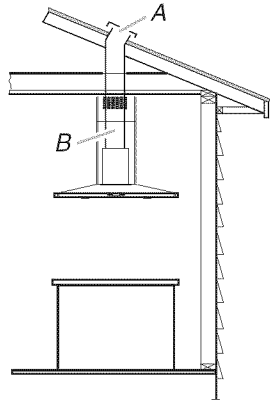
**NOTE:** Flexible vent is not recommended. Flexible vent creates back pressure and air turbulence that greatly reduce performance.

Vent system can terminate either through the roof or wall. To vent through a wall, a 90° elbow is needed.

### For Non-Vented (Recirculating) Installations

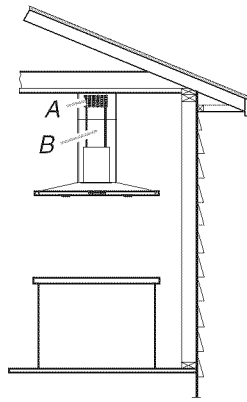
If it is not possible to vent cooking fumes and vapors to the outside, the hood can be used in the non-vented (recirculating) version, using a Recirculation Kit (which includes charcoal filters and a deflector). To order, see the "Assistance or Service" section.

## Roof Venting



A. Roof cap  
B. 6" (15.2 cm) round vent

## Non-Vented (Recirculating)





A. Deflector  
B. 6" (15.2 cm) round vent

**NOTE:** Wall venting can be an option for 2-story homes.

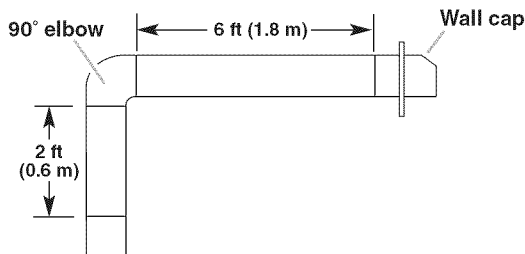
### Calculating Vent System Length

To calculate the length of the system you need, add the equivalent feet (meters) for each vent piece used in the system.

Vent Piece	6" (15.2 cm) Round	
45° elbow	2.5 ft (0.8 m)	
90° elbow	5.0 ft (1.5 m)	

Maximum equivalent vent length is 35 ft (10.7 m).

### Example Vent System



The following example falls within the maximum vent length of 35 ft (10.7 m).

1 - 90° elbow	= 5.0 ft (1.5 m)
1 - wall cap	= 0.0 ft (0.0 m)
8 ft (2.4 m) straight	= 8.0 ft (2.4 m)
<b>System length</b>	<b>= 13 ft (3.9 m)</b>

## Electrical Requirements

Observe all governing codes and ordinances.

Ensure that the electrical installation is adequate and in conformance with National Electrical Code, ANSI/NFPA 70 (latest edition), or CSA Standards C22.1-94, Canadian Electrical Code, Part 1 and C22.2 No. 0-M91 (latest edition) and all local codes and ordinances.

If codes permit and a separate ground wire is used, it is recommended that a qualified electrician determine that the ground path is adequate.

A copy of the above code standards can be obtained from:

National Fire Protection Association  
1 Batterymarch Park  
Quincy, MA 02169-7471  
CSA International  
8501 East Pleasant Valley Road  
Cleveland, OH 44131-5575

- A 120 volt, 60 Hz., AC only, 15-amp, fused electrical circuit is required.
- If the house has aluminum wiring, follow the procedure below:
  1. Connect a section of solid copper wire to the pigtail leads.
  2. Connect the aluminum wiring to the added section of copper wire using special connectors and/or tools designed and UL listed for joining copper to aluminum.

Follow the electrical connector manufacturer's recommended procedure. Aluminum/copper connection must conform with local codes and industry accepted wiring practices.

- Wire sizes and connections must conform with the rating of the appliance as specified on the model/serial/rating plate. The model/serial/rating plate is located behind the filter on the rear wall of the range hood.
- Wire sizes must conform to the requirements of the National Electrical Code, ANSI/NFPA 70 (latest edition), or CSA Standards C22.1-94, Canadian Electrical Code, Part 1 and C22.2 No. 0-M91 (latest edition) and all local codes and ordinances.

# INSTALLATION INSTRUCTIONS

## Prepare Location

- It is recommended that the vent system be installed before the range hood is installed.
  - Before making cutouts, make sure there is proper clearance within the ceiling for exhaust vent.
  - Range hood is to be installed 24" (61.0 cm) min. for electric cooking surfaces, or 27" (68.6 cm) min. for gas cooking surfaces, to suggested maximum of 36" (91.2 cm) above the cooking surface.
  - Check your ceiling height and the range hood height maximum before you select your hood.
1. Disconnect power.
  2. Determine which venting method to use: roof, or non-vented.
  3. Select a flat surface for assembling the range hood. Place covering over that surface.

### **⚠ WARNING**

#### **Excessive Weight Hazard**

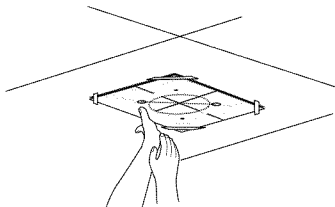
**Use two or more people to move and install range hood.**

**Failure to do so can result in back or other injury.**

4. Using 2 or more people, lift range hood onto covered surface.

## Range Hood Mounting Screws Installation

1. Determine and mark the centerline on the ceiling where the range hood will be installed, after considering the requirements for ceiling support structures. See the "Location Requirements" section. Make sure the range hood is centered over the cooking surface.
2. Tape template in place on the ceiling at the marked centerline. The line for the front of the range hood should be parallel to the front of the cooktop.



3. Use a pencil to mark the mounting screws, wire access and duct hole locations on the ceiling.

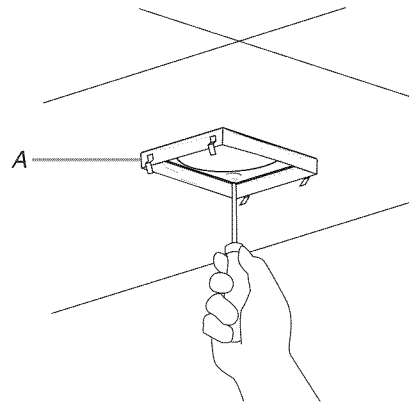
**NOTE:** Mounting hole locations should be into a ceiling support structure capable of holding 100 lbs (45.4 kg).

Remove the template.

4. Drill 4 -  $\frac{3}{16}$ " (4.8 mm) pilot holes for mounting the upper horizontal support.

## Complete Preparation

1. Determine the required location for the home power supply cable, and then drill a  $\frac{1}{2}$ " (1.3 cm) diameter hole for wire access.
2. Run wire through the home power supply cable according to the National Electrical Code or CSA Standards and local codes and ordinances. There must be enough  $\frac{1}{2}$ " conduit and wires from the fused disconnect (or circuit breaker) box to make the connection in the hood's electrical terminal box.  
**NOTE:** Do not reconnect power until installation is complete.
3. **For vented installations only:** Using a jigsaw or keyhole saw, cut a  $6\frac{1}{2}$ " (16.5 cm) diameter hole for the vent duct.
4. Attach the upper horizontal support bracket with 4 - 5 x 45 mm wood screws.



A. Upper horizontal support

**IMPORTANT:** All screws must be installed into wood. If there is no wood to screw into, additional wall framing supports may be required. The ceiling support structure must be capable of holding 100 lbs (45.4 kg).

## Install In-Line Smart Kit - Optional

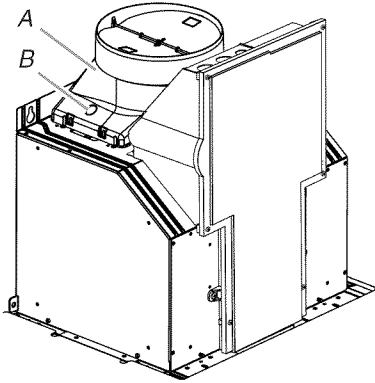
**NOTE:** Your range hood can work with either an internal or an in-line (external) blower motor system. An optional In-Line Smart Kit (purchased separately) allows the blower motor that comes with this range hood to be installed in a location other than inside the range hood cavity.

**CAUTION:** To reduce the risk of fire and electric shock, install this range hood only with the In-Line Smart Kit manufactured by Whirlpool, Part Number W10692945.

For installation see the In-Line Smart Kit installation instructions. See the "Assistance or Service" section to order.

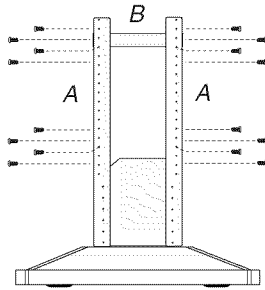
## Assemble and Install Range Hood

1. Install transition on top of hood (if removed for shipping) with 2 - 3.5 x 9.5 mm sheet metal screws.



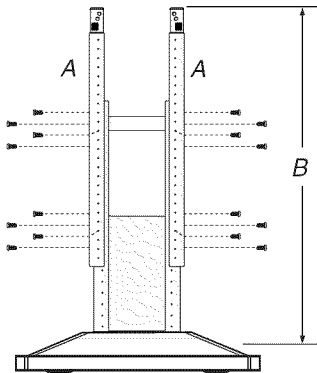
A. Vent transition  
B. 3.5 x 9.5 mm screw

2. Position the 4 vertical supports (A) with notches at the bottom, and then attach to the range hood using 16 - 4.2 x 8 mm screws.
3. Attach the horizontal support (B) using 8 - 4.2 x 8 mm screws.



A. Vertical supports  
B. Horizontal support

4. Attach a second set of vertical supports (A), and then set the vertical height (B). See "Installation Dimensions" in the "Location Requirements" section to help determine the desired dimension for vertical height (B). Secure with 16 - 4.2 x 8 mm T20® screws.

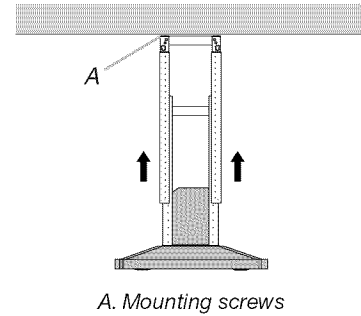


A. Vertical supports  
B. Vertical height

5. Using 2 or more people, lift the range hood assembly and attach it by snapping the vertical supports to the spring clips in the upper horizontal support bracket that is mounted to the ceiling.

**NOTE:** The range hood assembly must be held in place while installing the screws in the next step.

6. Install 16 - 4.2 x 8 mm screws, and then tighten to secure.



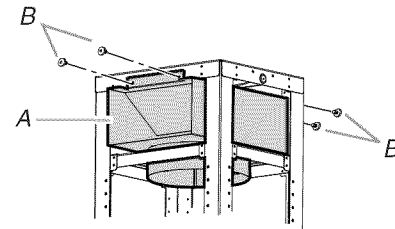
A. Mounting screws

### Connect Vent System

1. Install vent system.
2. Push duct over the exhaust outlet. Seal all connections with vent clamps.
3. Use caulk to seal all openings.

### Non-Vented (Recirculating) Installation

1. Attach the air deflector to the upper horizontal support using 4 mounting screws.



A. Deflector  
B. Mounting screws

2. Measure the length of 6" (15.2 cm) duct needed to connect the transition to the deflector.

**NOTE:** Vent should fit up inside the deflector 1" (2.5 cm) minimum.

3. Install vent between the transition and the deflector.  
**NOTE:** To make vent installation easier, temporarily remove the deflector from the chimney support bracket, and then replace after vent section is in place.
4. Seal all connections with vent clamps.



## Make Electrical Connection

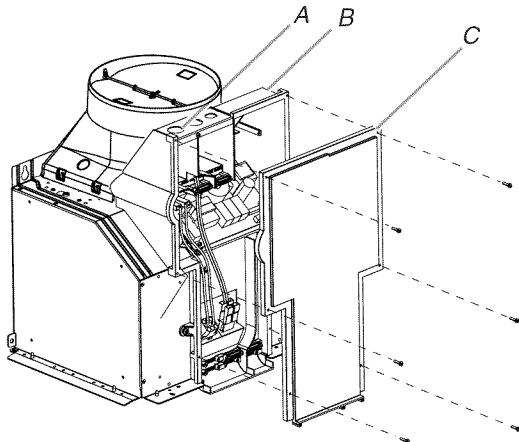
### **⚠ WARNING**



#### Electrical Shock Hazard

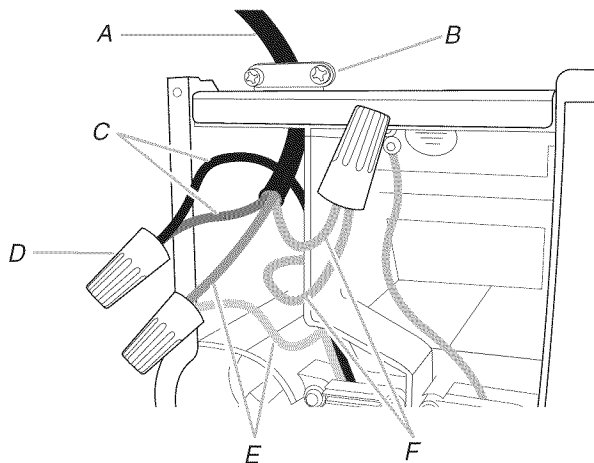
Disconnect power before servicing.  
Replace all parts and panels before operating.  
Failure to do so can result in death or electrical shock.

1. Disconnect power.
2. Remove terminal box cover.
3. Remove the knockout in the terminal box, and then install a UL listed or CSA approved ½" (12.7 mm) strain relief.



A. Knockout  
B. Terminal box  
C. Terminal box cover

4. Run home power supply cable through strain relief and into the terminal box.



A. Home power supply cable  
B. UL listed or CSA approved strain relief  
C. Black wires  
D. UL listed wire connectors  
E. White wires  
F. Green (or bare) and yellow-green ground wires

5. Use UL listed wire connectors and connect black wires (C) together.

6. Use UL listed wire connectors and connect white wires (E) together.

### **⚠ WARNING**



#### Electrical Shock Hazard

Electrically ground blower.  
Connect ground wire to green and yellow ground wire in terminal box.  
Failure to do so can result in death or electrical shock.

7. Connect green (or bare) ground wire from home power supply to yellow-green ground wire (F) in terminal box using UL listed wire connectors.
8. Tighten strain relief screw.
9. Install terminal box cover.
10. Check that all light bulbs are secure in their sockets.
11. Reconnect power.

### Optional Power Cord Kit Installations

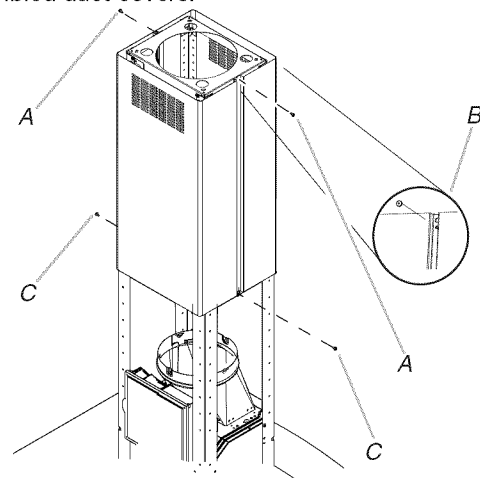
For optional power cord kit installations, follow the instructions supplied with the power cord kit. See the "Assistance or Service" section for information on ordering.

**NOTE:** Use only with range hood cord connection kits that have been investigated and found acceptable for use with this model range hood.

### Install Duct Covers

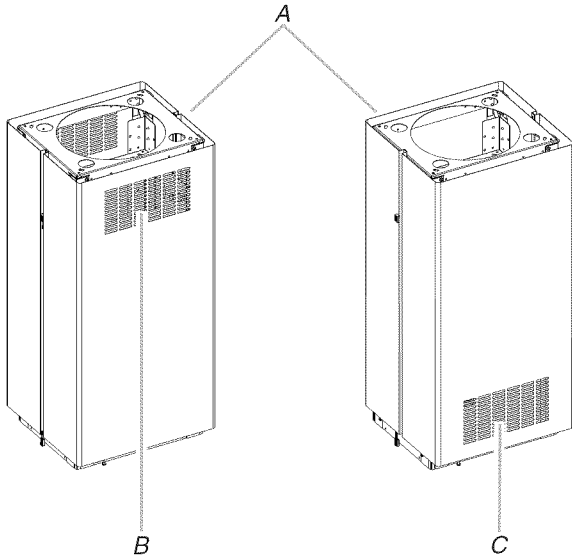
**NOTE:** Remove the film from the duct covers.

1. Assemble the upper duct covers together, and then install the duct covers around the support frame. The larger hole in the flanges of the upper duct cover must be outside the smaller hole in the mating flange of the other upper duct cover.
2. Secure the upper duct covers together with two 3.5 x 6.5 mm screws at the top and two 2.9 x 3 mm screws at the bottom. Install 1 screw on each side at the top and bottom of the assembled duct covers.



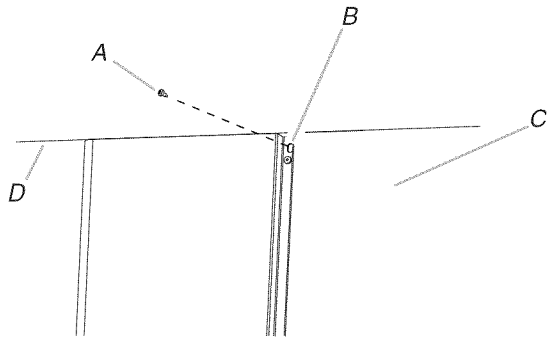
A. 3.5 x 6.5 mm screws (2)  
B. Assembly holes (larger hole outside of smaller hole on both sides)  
C. 2.9 x 3 mm screws (2)

**NOTE:** For non-vented (recirculating) installation, the slotted holes in the upper duct covers will be visible when assembled. For vented installations, the slotted holes will be hidden down inside the lower duct covers.



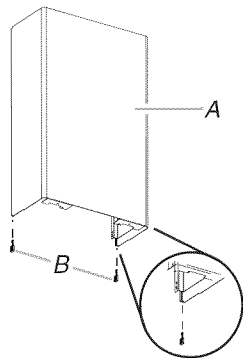
A. Top toward ceiling  
 B. Slots installed up for non-vented installations  
 C. Slots installed down for vented installations

3. Slide the upper duct covers up the frame to the ceiling, and then secure to the upper horizontal support with 2 - 3.5 x 6.5 mm screws.



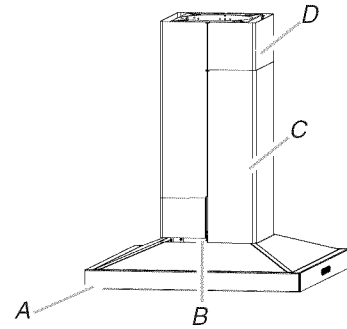
A. 3.5 x 6.5 mm screw  
 B. Slotted holes (2)  
 C. Upper duct covers  
 D. Ceiling

4. Place the long end of the plastic clips (2) into the bottom of the front lower duct cover.



A. Lower duct cover - (front)  
 B. Plastic clips (2) (long end for front placement)

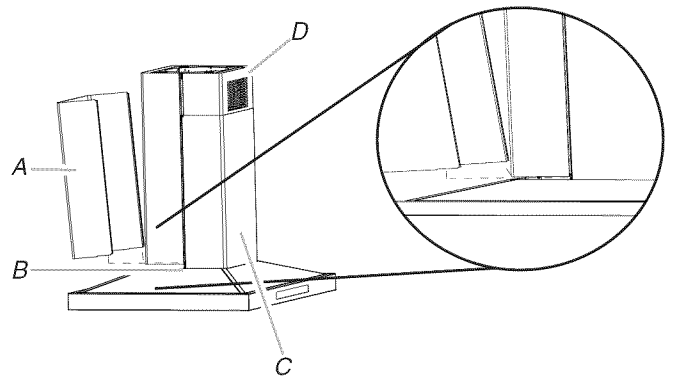
5. Install the lower duct cover (front) to the range hood canopy. Spread the lower duct cover opening slightly and position it over the upper duct cover. Set the lower duct cover in place. Position so the flanges of the lower duct cover set into the flanges of the upper duct covers.



A. Range hood canopy  
 B. Plastic clips  
 C. Lower duct covers  
 D. Upper duct covers

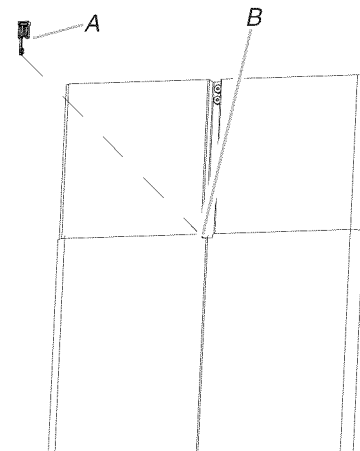
6. Install the lower duct cover (rear) to the range hood canopy. Spread the lower duct cover opening slightly and position it over the upper duct cover. Set the lower duct cover in place. Position so the flanges of the lower duct cover set into the flanges of the upper duct cover. Make sure the front and rear lower duct covers mate properly.

**NOTE:** When assembling the rear lower duct cover to the front lower duct cover, the flange (both sides) must be placed over the plastic clip to secure the lower duct covers together at the bottom.



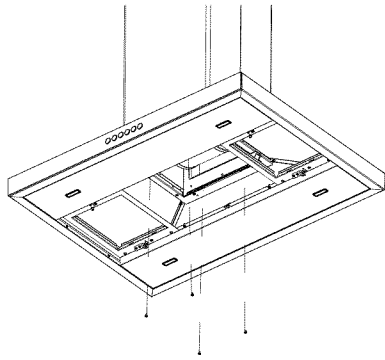
A. Lower duct cover (rear)  
 B. Plastic clips  
 C. Lower duct covers  
 D. Upper duct covers

7. Secure the lower duct covers together at the top using plastic clips (2). Use one plastic clip on each side.



A. Plastic clips (2)  
 B. Lower duct covers top clip area

- Secure the lower duct cover to the range hood canopy using 4 - 4.2 x 8 mm screws.



## Complete Installation

- For non-vented (recirculating) installations only, install charcoal filters onto the metal filters. See the “Range Hood Care” section.
- Install metal filters. See the “Range Hood Care” section.
- Check the operation of the range hood blower and light. See the “Range Hood Use” section.

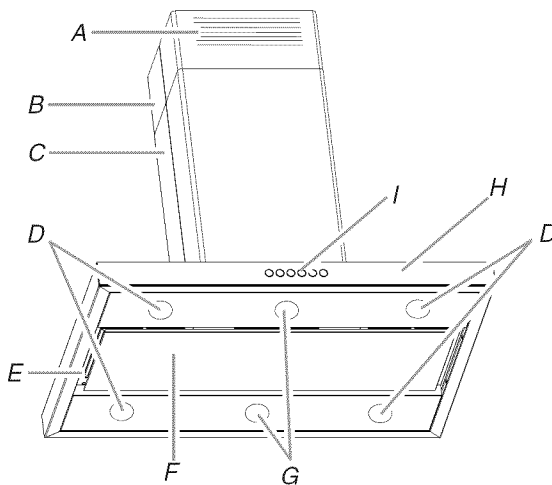
If range hood does not operate, check to see whether a circuit breaker has tripped or a household fuse has blown.

**NOTE:** To get the most efficient use from your new range hood, read the “Range Hood Use” section.

## RANGE HOOD USE

The range hood is designed to remove smoke, cooking vapors and odors from the cooktop area. For best results, start the hood before cooking and allow it to operate several minutes after the cooking is complete to clear all smoke and odors from the kitchen.

The range hood controls are located on the front side of the canopy.



A. Louver holes (non-vented [recirculating] installations only)

B. Upper duct covers

C. Lower duct covers

D. LED lights (4)

E. Metal grease filters (located behind the perimetric cover)

F. Perimetric cover

G. Halogen lights (2)

H. Canopy

I. Control panel

### Control Panel



## Controls and Features

### NOTES:

- To activate the controls, press and release the desired button.
- The control feature button will be lit when a control feature is turned On.

### Sleep Mode

The range hood automatically enters Sleep Mode when not in use. After 10 minutes of no range hood activity, all of the control button lights will turn Off. To deactivate Sleep Mode, press any button.

### Auto Sense

Auto Sense allows the range hood fan to turn on automatically when it senses heat higher than its allowable temperature limit. When Auto Sense is On, the fan speed will increase or decrease based on the temperature Auto Sense is measuring.

Auto Sense can be manually increased by pressing a higher fan speed. The fan will run at the selected speed for 10 minutes before returning to the speed selected for Auto Sense.

If Auto Sense is On, the Auto button light will turn Off and go into Sleep Mode when the vent hood is not in use. If the vent hood is turned On by the consumer or by Auto Sense, the Auto button light will turn On.

#### To set Auto Sense:

Press AUTO.

#### To Select Auto Sense Cooktop Type:

**NOTE:** The range hood is factory-set for the gas cooktop mode.

Press and hold AUTO for 5 seconds to switch between the gas cooktop and electric cooktop modes.

The Auto button light will flash 5 times when the range hood is changed to the electric cooktop mode. Auto Sense is now set to work with electric cooktops and ranges.

The Auto button light will flash 3 times when the range hood is changed to the gas cooktop mode. Auto Sense is now set to work with gas cooktops and ranges.

Changing the cooktop type will change the temperature limit for Auto Sense to turn On. When the range hood senses a high enough temperature, the fan will start automatically. When the temperature drops below the set temperature limit, the fan will stop automatically. The Auto button light will turn Off after the range hood enters Sleep Mode, but Auto Sense is still active.

### To Deactivate Auto Sense:

If the Auto button is lit, press AUTO once to deactivate Auto Sense. The Auto button light will turn Off.

If Auto Sense is in Sleep Mode, press AUTO once to deactivate Sleep Mode and turn On the Auto button light. Press AUTO again to deactivate Auto Sense and turn Off the Auto button light.

Auto Sense will turn Off automatically after 2 hours of no activation of the Auto Sense system. To reset Auto Sense, press AUTO.

---

### Manual Vent Functions

---

#### Fan Speeds

- Low** Press LOW to turn the fan on at Low speed.
- Med** Press MED to turn the fan on at Medium speed.
- Hi** Press HI to turn the fan on at High speed.
- Boost** Press BOOST to turn the fan on at the highest speed. Boost will automatically turn Off after 10 minutes and the fan will switch to High speed.

---

### Timer

---

The range hood can be set to automatically turn off after 15 minutes.

1. Press and hold the desired fan speed button for 2 seconds. The fan will run on the chosen speed for 15 minutes and the fan speed button light will flash continuously. After 15 minutes, the fan will turn Off automatically.
2. Press the desired fan speed button again while the fan timer is running to cancel the fan timer.

**NOTE:** Changing the fan speed or turning Auto Sense On will also cancel the 15-minute timer.

---

### Light

---

The range hood has both task and ambient lighting.

#### To operate the lights:

1. Touch LIGHT once to turn the LED task lights On.
2. Touch LIGHT again to turn LED task lights Off. The ambient lights will turn On.
3. Touch LIGHT a third time to turn the ambient lights Off.

**NOTE:** To turn both the task and ambient lights on at the same time, touch and hold LIGHT for 2 seconds. Touch LIGHT again to turn the task and ambient lights Off.

---

## RANGE HOOD CARE

---

### Cleaning

**IMPORTANT:** Clean the hood and grease filters frequently according to the following instructions. Replace grease filters before operating hood.

#### Exterior Surfaces:

To avoid damage to the exterior surface, do not use steel wool or soap-filled scouring pads.

Always wipe dry to avoid water marks.

#### Cleaning Method:

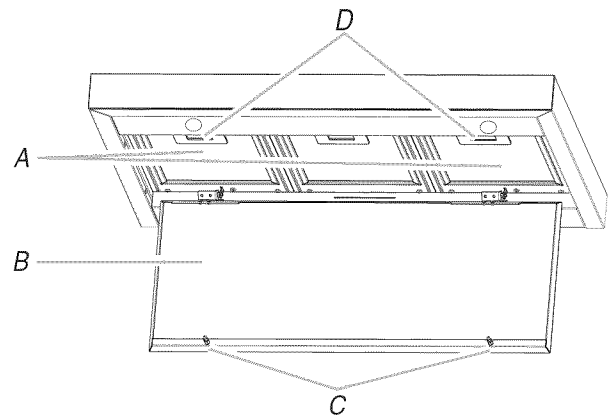
- Liquid detergent soap and water, or all-purpose cleanser
- Wipe with a damp soft cloth or nonabrasive sponge, and then rinse with clean water and wipe dry.

---

### Metal Grease Filter

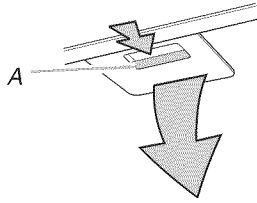
---

1. Open the stainless steel panel. Grasp panel at the front corners, and then pull down to disengage the 2 catch pins from the spring catches. The panel is attached at the rear and will rotate down.



- A. Metal filters      C. Catch pins (2)  
B. Stainless steel panel      D. Spring catches (2)

- Remove each filter by pulling the spring release handle and then pulling down the filter.



A. Spring release handle

- Wash metal filters as needed in dishwasher or hot detergent solution.
- Reinstall the filter by making sure the spring release handles are toward the front. Insert aluminum filter into upper track.
- Push in spring release handle.
- Push up on metal filter, and then release handle to latch into place.
- Repeat steps 1 to 5 for the other filter.
- Close the stainless steel panel. Engage the 2 pins in the spring catches to secure.

---

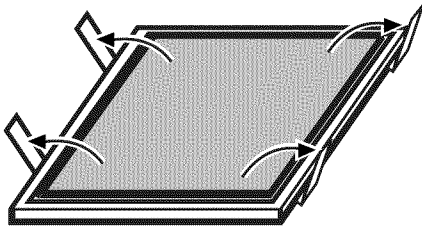
### Non-Vented (Recirculating) Installation Filters

---

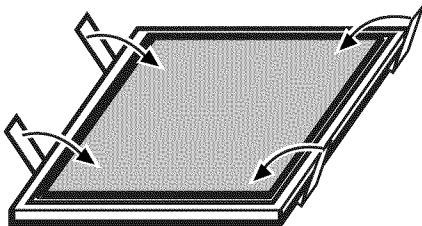
The charcoal filter is not washable. It should last up to 6 months with normal use. Replace with Charcoal Filter Kit. See the "Accessories" section for information on ordering.

#### To Replace Charcoal Filter:

- Remove metal grease filter from range hood. See "Metal Grease Filter" in this section.
- Bend spring clips away from metal grease filter.



- Place charcoal filter into top side of metal filter.
- Bend spring clips back into place to secure the charcoal filter to the metal filter.



- Replace metal grease filter. See "Metal Grease Filter" in this section.

---

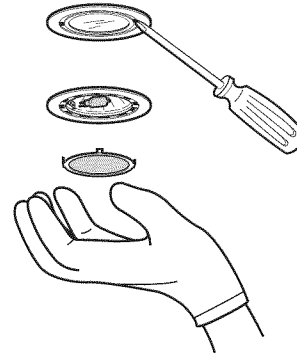
### Replacing a Halogen Lamp (Ambient Lighting)

---

Turn off the range hood and allow the halogen lamp to cool. To avoid damage or decreasing the life of the new lamp, do not touch lamp with bare fingers. Replace lamp, using tissue or wearing cotton gloves to handle lamp.

If new lights do not operate, make sure the lamps are inserted correctly before calling service.

- Disconnect power.
- Using a flat-blade screwdriver, gently pry the light cover loose.



- Remove the lamp and replace with a 120-volt, 40-watt maximum, halogen lamp made for a G-9 base.
- Replace the light cover.
- Reconnect power.

---

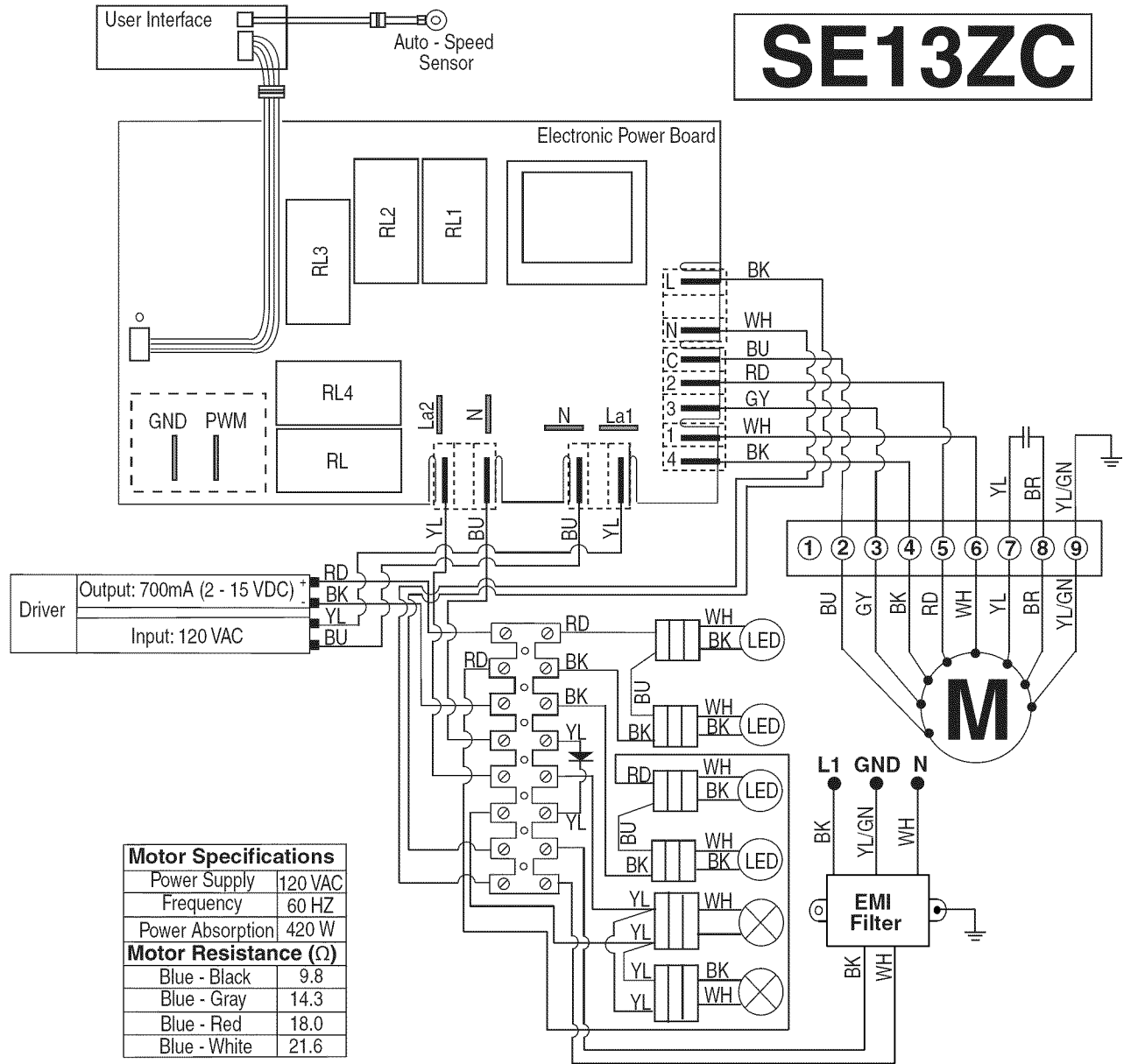
### Replacing a LED Lamp

---

The LED lights are replaceable by a service technician only. See "Assistance and Service" section for service contact information.

# WIRING DIAGRAM

# SE13ZC



Motor Specifications	
Power Supply	120 VAC
Frequency	60 HZ
Power Absorption	420 W
Motor Resistance (Ω)	
Blue - Black	9.8
Blue - Gray	14.3
Blue - Red	18.0
Blue - White	21.6

---

# ASSISTANCE OR SERVICE

---

## If you need service

Please refer to the warranty page in this manual.

## If you need replacement parts

If you need to order replacement parts, we recommend that you use only factory specified parts. Factory specified parts will fit right and work right because they are made with the same precision used to build every new appliance.

To locate factory specified replacement parts in your area, call the following customer assistance telephone number or your nearest designated service center.

---

### In the U.S.A.

Call the KitchenAid Customer eXperience Center toll free: **1-800-422-1230** or visit our website at [www.kitchenaid.com](http://www.kitchenaid.com).

#### Our Consultants Provide Assistance With:

- Scheduling of service. KitchenAid designated service technicians are trained to fulfill the product warranty and provide after-warranty service, anywhere in the United States.
- Features and specifications on our full line of appliances.
- Referrals to local dealers.
- Installation information.
- Use and maintenance procedures.
- Accessory and repair parts sales.
- Specialized customer assistance (Spanish speaking, hearing impaired, limited vision, etc.).

#### For Further Assistance

If you need further assistance, you can write to KitchenAid with any questions or concerns at:

KitchenAid Brand Home Appliances  
Customer eXperience Center  
553 Benson Road  
Benton Harbor, MI 49022-2692

Please include a daytime phone number in your correspondence.

---

### In Canada

Call the Whirlpool Canada LP Customer eXperience Centre toll free: **1-800-807-6777** or visit our website at [www.kitchenaid.ca](http://www.kitchenaid.ca).

#### Our Consultants Provide Assistance With:

- Scheduling of Service. KitchenAid appliances designated service technicians are trained to fulfill the product warranty and provide after-warranty service, anywhere in Canada.
- Features and specifications on our full line of appliances.
- Referrals to local dealers.
- Use and maintenance procedures.
- Accessory and repair parts sales.

#### For Further Assistance

If you need further assistance, you can write to Whirlpool Canada LP with any questions or concerns at:

Customer eXperience Centre  
Whirlpool Canada LP  
200 - 6750 Century Ave.  
Mississauga, Ontario L5N 0B7

Please include a daytime phone number in your correspondence.

---

### Accessories

#### Charcoal Filter Kit

(for non-vented installations only)  
Order Part Number W10692910

#### Recirculation Kit

(for non-vented installations only)  
Order Part Number W10692909

#### Chimney Extension Kit

Order Part Number W10688278

#### Chimney Extension Kit - Black Stainless

(for black stainless vent hood model KVIB606DBS)  
Order Part Number W10750880

#### 6" (15.2 cm) Makeup Air Kit

(consult local building codes)  
Order Part Number W10446915

#### Power Cord Kit

Order Part Number W10613691

#### In-Line Smart Kit

Order Part Number W10692945

# KITCHENAID® MAJOR APPLIANCE LIMITED WARRANTY

ATTACH YOUR RECEIPT HERE. PROOF OF PURCHASE IS REQUIRED TO OBTAIN WARRANTY SERVICE.

Please have the following information available when you call the Customer eXperience Center:

- Name, address and telephone number
- Model number and serial number
- A clear, detailed description of the problem
- Proof of purchase including dealer or retailer name and address

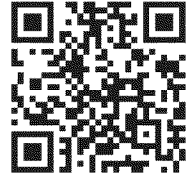
## IF YOU NEED SERVICE:

1. Before contacting us to arrange service, please determine whether your product requires repair. Some questions can be addressed without service. Please take a few minutes to review the Troubleshooting or Problem Solver section of the Use and Care Guide, scan the QR code on the right to access additional resources, or visit <http://kitchenaid.custhelp.com>.
2. All warranty service is provided exclusively by our authorized KitchenAid Service Providers. In the U.S. and Canada, direct all requests for warranty service to:

**KitchenAid Customer eXperience Center**

**In the U.S.A., call 1-800-422-1230. In Canada, call 1-800-807-6777.**

If outside the 50 United States or Canada, contact your authorized KitchenAid dealer to determine whether another warranty applies.



<http://kitchenaid.custhelp.com>

## ONE YEAR LIMITED WARRANTY

### WHAT IS COVERED

For one year from the date of purchase, when this major appliance is installed, operated and maintained according to instructions attached to or furnished with the product, KitchenAid brand of Whirlpool Corporation or Whirlpool Canada LP (hereafter "KitchenAid") will pay for Factory Specified Replacement Parts and repair labor to correct defects in materials or workmanship that existed when this major appliance was purchased, or at its sole discretion replace the product. In the event of product replacement, your appliance will be warranted for the remaining term of the original unit's warranty period.

YOUR SOLE AND EXCLUSIVE REMEDY UNDER THIS LIMITED WARRANTY SHALL BE PRODUCT REPAIR AS PROVIDED HEREIN. Service must be provided by a KitchenAid designated service company. This limited warranty is valid only in the United States or Canada and applies only when the major appliance is used in the country in which it was purchased. This limited warranty is effective from the date of original consumer purchase. Proof of original purchase date is required to obtain service under this limited warranty.

### WHAT IS NOT COVERED

1. Commercial, non-residential, multiple-family use, or use inconsistent with published user, operator or installation instructions.
2. In-home instruction on how to use your product.
3. Service to correct improper product maintenance or installation, installation not in accordance with electrical or plumbing codes or correction of household electrical or plumbing (i.e. house wiring, fuses or water inlet hoses).
4. Consumable parts (i.e. light bulbs, batteries, air or water filters, preservation solutions, etc.).
5. Conversion of products from natural gas or L.P. gas.
6. Damage from accident, misuse, abuse, fire, floods, acts of God or use with products not approved by KitchenAid.
7. Repairs to parts or systems to correct product damage or defects caused by unauthorized service, alteration or modification of the appliance.
8. Cosmetic damage including scratches, dents, chips, and other damage to the appliance finishes unless such damage results from defects in materials and workmanship and is reported to KitchenAid within 30 days.
9. Discoloration, rust or oxidation of surfaces resulting from caustic or corrosive environments including but not limited to high salt concentrations, high moisture or humidity or exposure to chemicals.
10. Food or medicine loss due to product failure.
11. Pick-up or delivery. This product is intended for in-home repair.
12. Travel or transportation expenses for service in remote locations where an authorized KitchenAid servicer is not available.
13. Removal or reinstallation of inaccessible appliances or built-in fixtures (i.e. trim, decorative panels, flooring, cabinetry, islands, countertops, drywall, etc.) that interfere with servicing, removal or replacement of the product.
14. Service or parts for appliances with original model/serial numbers removed, altered or not easily determined.

**The cost of repair or replacement under these excluded circumstances shall be borne by the customer.**

### DISCLAIMER OF IMPLIED WARRANTIES

IMPLIED WARRANTIES, INCLUDING ANY IMPLIED WARRANTY OF MERCHANTABILITY OR IMPLIED WARRANTY OF FITNESS FOR A PARTICULAR PURPOSE, ARE LIMITED TO ONE YEAR OR THE SHORTEST PERIOD ALLOWED BY LAW. Some states and provinces do not allow limitations on the duration of implied warranties of merchantability or fitness, so this limitation may not apply to you. This warranty gives you specific legal rights, and you also may have other rights that vary from state to state or province to province.

### DISCLAIMER OF REPRESENTATIONS OUTSIDE OF WARRANTY

KitchenAid makes no representations about the quality, durability, or need for service or repair of this major appliance other than the representations contained in this warranty. If you want a longer or more comprehensive warranty than the limited warranty that comes with this major appliance, you should ask KitchenAid or your retailer about buying an extended warranty.

### LIMITATION OF REMEDIES; EXCLUSION OF INCIDENTAL AND CONSEQUENTIAL DAMAGES

YOUR SOLE AND EXCLUSIVE REMEDY UNDER THIS LIMITED WARRANTY SHALL BE PRODUCT REPAIR AS PROVIDED HEREIN. KITCHENAID SHALL NOT BE LIABLE FOR INCIDENTAL OR CONSEQUENTIAL DAMAGES. Some states and provinces do not allow the exclusion or limitation of incidental or consequential damages, so these limitations and exclusions may not apply to you. This warranty gives you specific legal rights, and you also may have other rights that vary from state to state or province to province.



# SÉCURITÉ DE LA HOTTE DE CUISINIÈRE

## **Votre sécurité et celle des autres est très importante.**

Nous donnons de nombreux messages de sécurité importants dans ce manuel et sur votre appareil ménager. Assurez-vous de toujours lire tous les messages de sécurité et de vous y conformer.



Voici le symbole d'alerte de sécurité.

Ce symbole d'alerte de sécurité vous signale les dangers potentiels de décès et de blessures graves à vous et à d'autres.

Tous les messages de sécurité suivront le symbole d'alerte de sécurité et le mot "DANGER" ou "AVERTISSEMENT". Ces mots signifient :

**⚠ DANGER**

**Risque possible de décès ou de blessure grave si vous ne suivez pas immédiatement les instructions.**

**⚠ AVERTISSEMENT**

**Risque possible de décès ou de blessure grave si vous ne suivez pas les instructions.**

Tous les messages de sécurité vous diront quel est le danger potentiel et vous disent comment réduire le risque de blessure et ce qui peut se produire en cas de non-respect des instructions.

Avertissements de la proposition 65 de l'État de Californie :

**AVERTISSEMENT :** Ce produit contient au moins un produit chimique connu par l'État de Californie pour être à l'origine de cancers.

**AVERTISSEMENT :** Ce produit contient au moins un produit chimique connu par l'État de Californie pour être à l'origine de malformations et autres déficiences de naissance.

# IMPORTANTES INSTRUCTIONS DE SÉCURITÉ

**AVERTISSEMENT : POUR RÉDUIRE LE RISQUE D'INCENDIE, CHOC ÉLECTRIQUE OU DOMMAGES CORPORELS, RESPECTER LES INSTRUCTIONS SUIVANTES :**

- Utiliser cet appareil uniquement dans les applications envisagées par le fabricant. Pour toute question, contacter le fabricant.
- Avant d'entreprendre un travail d'entretien ou de nettoyage, interrompre l'alimentation de la hotte au niveau du tableau de disjoncteurs, et verrouiller le tableau de disjoncteurs pour empêcher tout rétablissement accidentel de l'alimentation du circuit. Lorsqu'il n'est pas possible de verrouiller le tableau de disjoncteurs, placer sur le tableau de disjoncteurs une étiquette d'avertissement proéminente interdisant le rétablissement de l'alimentation.
- Tout travail d'installation ou câblage électrique doit être réalisé par une personne qualifiée, dans le respect des prescriptions de tous les codes et normes applicables, y compris les codes du bâtiment et de protection contre les incendies.
- Ne pas faire fonctionner un ventilateur dont le cordon ou la fiche est endommagé(e). Jeter le ventilateur ou le retourner à un centre de service agréé pour examen et/ou réparation.
- Une source d'air de débit suffisant est nécessaire pour le fonctionnement correct de tout appareil à gaz (combustion et évacuation des gaz à combustion par la cheminée), pour qu'il n'y ait pas de reflux des gaz de combustion. Respecter les directives du fabricant de l'équipement de chauffage et les prescriptions des normes de sécurité - comme celles publiées par la National Fire Protection Association (NFPA) et l'American Society for Heating, Refrigeration and Air Conditioning Engineers (ASHRAE), et les prescriptions des autorités réglementaires locales.
- Lors des opérations de découpage et de perçage dans un mur ou un plafond, ne pas endommager les câblages électriques et les canalisations qui peuvent s'y trouver.
- Les ventilateurs d'évacuation doivent toujours décharger l'air à l'extérieur.

**MISE EN GARDE :** Cet appareil est conçu uniquement pour la ventilation générale. Ne pas l'utiliser pour l'extraction de matières ou vapeurs dangereuses ou explosives.

**MISE EN GARDE :** Pour minimiser le risque d'incendie et évacuer adéquatement les gaz, veiller à acheminer l'air aspiré par un conduit jusqu'à l'extérieur - ne pas décharger l'air aspiré dans un espace vide du bâtiment comme une cavité murale, un plafond, un grenier, un vide sanitaire ou un garage.

**AVERTISSEMENT : POUR RÉDUIRE LE RISQUE D'INCENDIE, UTILISER UNIQUEMENT DES CONDUITS MÉTALLIQUES.**

**AVERTISSEMENT : POUR MINIMISER LE RISQUE D'UN FEU DE GRAISSE SUR LA CUISINIÈRE :**

- Ne jamais laisser un élément de surface fonctionner à puissance de chauffage maximale sans surveillance. Un renversement/débordement de matière grasseuse pourrait provoquer une inflammation et la génération de fumée. Utiliser une puissance de chauffage moyenne ou basse pour le chauffage d'huile.
- Veiller à toujours faire fonctionner le ventilateur de la hotte lors de la cuisson avec une puissance de chauffage élevée ou lors de la cuisson d'un mets à flamber (à savoir crêpes Suzette, cerise jubilé, steak au poivre flambé).
- Nettoyer fréquemment les ventilateurs d'extraction. Veiller à ne pas laisser la graisse s'accumuler sur les surfaces du ventilateur ou des filtres.
- Utiliser toujours un ustensile de taille appropriée. Utiliser toujours un ustensile adapté à la taille de l'élément chauffant.

**AVERTISSEMENT : POUR RÉDUIRE LE RISQUE DE DOMMAGES CORPORELS APRÈS LE DÉCLENCHEMENT D'UN FEU DE GRAISSE SUR LA CUISINIÈRE, APPLIQUER LES RECOMMANDATIONS SUIVANTES :<sup>a</sup>**

- Placer sur le récipient un couvercle bien ajusté, une tôle à biscuits ou un plateau métallique **POUR ÉTOUFFER LES FLAMMES**, puis éteindre le brûleur. **VEILLER À ÉVITER LES BRÛLURES**. Si les flammes ne s'éteignent pas immédiatement, **ÉVACUER LA PIÈCE ET APPELER LES POMPIERS**.
- **NE JAMAIS PRENDRE EN MAIN UN RÉCIPIENT ENFLAMMÉ** - vous risquez de vous brûler.
- **NE PAS UTILISER D'EAU**, ni un torchon humide - ceci pourrait provoquer une explosion de vapeur brûlante.
- Utiliser un extincteur **SEULEMENT** si :
  - Il s'agit d'un extincteur de classe ABC, dont on connaît le fonctionnement.
  - Il s'agit d'un petit feu encore limité à l'endroit où il s'est déclaré.
  - Les pompiers ont été contactés.
  - Il est possible de garder le dos orienté vers une sortie pendant l'opération de lutte contre le feu.

<sup>a</sup>Recommandations tirées des conseils de sécurité en cas d'incendie de cuisine publiés par la NFPA.

- **AVERTISSEMENT :** Pour réduire le risque d'incendie ou de choc électrique, ne pas utiliser ce ventilateur avec un quelconque dispositif de réglage de la vitesse à semi-conducteurs.

## LIRE ET CONSERVER CES INSTRUCTIONS

# EXIGENCES D'INSTALLATION

## Outils et pièces

Rassembler les outils et pièces nécessaires avant d'entreprendre l'installation. Lire et observer les instructions fournies avec chacun des outils de la liste ci-dessous.

### Outils nécessaires

- Niveau
- Perceuse avec forets de 1¼" (3 cm), ⅜" (9,5 mm), ⅞" (2,75 mm) et forets de ⅛" (3 mm)
- Forets à avant-trou (selon la méthode de fixation du support de cache-conduit)
- Crayon
- Pince à dénuder ou couteau utilitaire
- Mètre-ruban ou règle
- Pince
- Pistolet à calfeutrage et composé de calfeutrage résistant aux intempéries
- Brides de conduit
- Scie sauteuse ou scie à guichet
- Tournevis à lame plate
- Cisaille de ferblantier
- Tournevis Phillips

### Pièces nécessaires

- Câble d'alimentation électrique du domicile
- Serre-câbles de ½" (12,7 mm) (homologation UL ou CSA) (2)
- Connecteurs de fils homologués UL (3)

### Pour les installations avec décharge à l'extérieur, il vous faudra aussi :

- Bouche de décharge (décharge à travers le mur ou à travers le toit) (1)
- Circuit d'évacuation métallique

### Pour les installations sans décharge à l'extérieur (recyclage), il faudra aussi :

- Ensemble de recyclage, pièce numéro W10692909 pour les installations sans décharge à l'extérieur (recyclage) uniquement. Voir la section "Assistance ou service" pour commander.
- Conduit métallique dia. 6" (15,2 cm). La longueur nécessaire est fonction de la hauteur sous plafond.

### Pièces fournies

Retirer les pièces de leur emballage. Vérifier que toutes les pièces sont présentes.

- Auvent de hotte avec ventilateur, DEL et lampes à halogène installés.
- Filtre—installé sur la hotte
- Vis de 4,2 x 8 mm (60)
- Vis de 5 x 45 mm (4)
- Gabarit de montage
- Cache-conduits – section supérieure (2)
- Cache-conduits – section inférieure (2)
- Raccord de transition avec clapet anti-reflux installé
- Vis de montage de 3,5 x 9,5 mm (2)
- Attaches de conduit en plastique (4)
- Bride de support horizontal supérieur
- Support horizontal
- Supports verticaux (8)
- Vis de 3,5 x 6,5 mm (4)
- Vis de 2,9 x 3 mm (2)
- Adaptateur Torx®† T10
- Adaptateur Torx®† T20

†®TORX et T20 sont des marques déposées de Acument Intellectual Properties, LLC.

## Exigences d'emplacement

**IMPORTANT :** Observer les dispositions de tous les codes et règlements en vigueur.

Confier l'installation de la hotte à un technicien qualifié. C'est à l'installateur qu'incombe la responsabilité de respecter les distances de séparation exigées, spécifiées sur la plaque signalétique de l'appareil. La plaque signalétique de l'appareil est située derrière le filtre de gauche, sur la paroi arrière de la hotte.

On doit toujours installer la hotte à distance des sources de courant d'air (fenêtres, portes et bouches de chauffage).

Respecter les dimensions indiquées pour les ouvertures à découper dans les placards; ces dimensions tiennent compte des valeurs minimales des dégagements de séparation.

On doit disposer d'une prise de courant électrique reliée à la terre. Voir la section "Spécifications électriques".

Du fait du poids et de la taille de cette hotte d'extraction en îlot, il faut que le support de cache-conduit soit solidement fixé au plafond.

- Pour un plafond en plâtre ou en panneaux de gypse, le support de cache-conduit doit être fixé aux solives. Si ceci n'est pas possible, on doit construire une structure de support appropriée derrière le plafond en plâtre ou panneaux de gypse. La structure de support doit être capable de soutenir une charge de 100 lb (45,4 kg).

Il est recommandé d'utiliser cette hotte avec une table de cuisson dont la puissance totale ne dépasse pas 65 000 BTU.

Cette hotte a été configurée à l'usine pour une décharge à travers le toit.

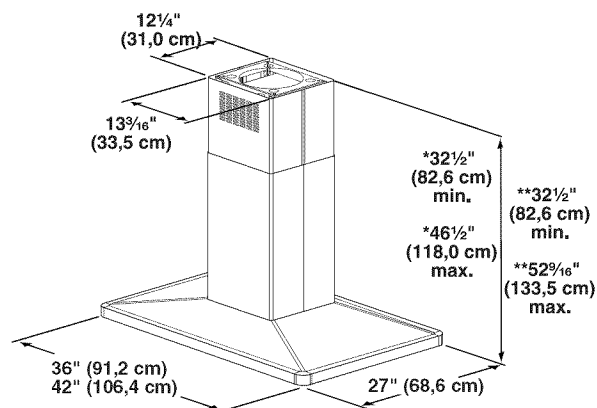
Pour une installation sans décharge à l'extérieur (recyclage), voir "Installations sans décharge à l'extérieur (recyclage)" à la section "Installation de la hotte". L'ensemble de recyclage (pièce numéro W10692909) est disponible chez votre marchand ou chez un distributeur de pièces autorisé.

Assurer l'étanchéité au niveau de chaque ouverture découpée dans le plafond ou le mur pour l'installation de la hotte de cuisinière.

### Installation dans une résidence mobile

L'installation de cette hotte doit satisfaire aux exigences de la norme Manufactured Home Construction Safety Standards, Titre 24 CFR, partie 328 (anciennement Federal Standard for Mobile Home Construction and Safety, titre 24, HUD, partie 280); lorsque cette norme n'est pas applicable, l'installation doit satisfaire aux critères de la plus récente édition de la norme Manufactured Home Installation 1982 (Manufactured Home Sites, Communities and Setups) ANSI A225.1/NFPA 501A, ou des codes et règlements locaux applicables.

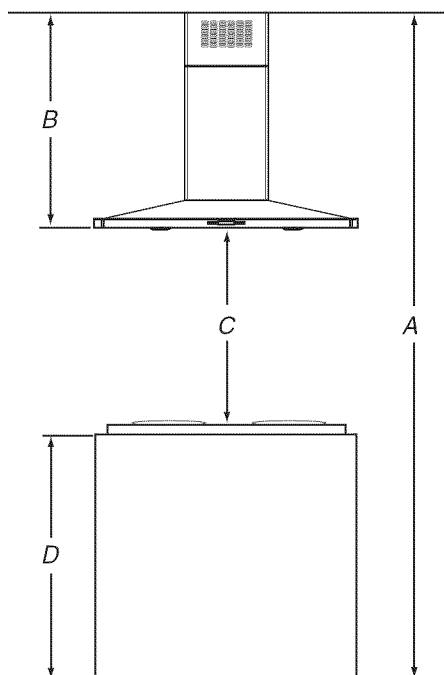
### Dimensions du produit



\*Installations avec décharge à l'extérieur uniquement

\*\*Installations sans décharge à l'extérieur (recyclage) uniquement

## Dimensions d'installation



- A. Hauteur sous plafond  
 B. Hauteur sous hotte entre le plafond et le bas de la hotte :  $A - C - D = B$   
 C. Hauteur sous hotte suggérée de 24" (61 cm) minimum à 36" (91,4 cm) maximum  
 D. Hauteur du plan du travail

### IMPORTANT :

Valeur minimale de la distance "C" : 24" (61 cm) à partir de la surface de cuisson électrique.

Valeur minimale de la distance "C" : 27" (68,6 cm) à partir de la surface de cuisson au gaz.

Valeur maximale suggérée pour la distance "C" : 36" (91,4 cm)

Les cheminées peuvent être adaptées à différentes hauteurs de plafond. Voir le tableau suivant.

#### Installations avec décharge à l'extérieur

	Hauteur min. sous plafond	Hauteur max. sous plafond
Surface de cuisson électrique	7' 9" (2,36 m)	9' 10" (3,0 m)
Surface de cuisson au gaz	8' (2,44 m)	9' 10" (3,0 m)

#### Installations sans décharge à l'extérieur (recyclage)

	Hauteur min. sous plafond	Hauteur max. sous plafond
Surface de cuisson électrique	7' 9" (2,36 m)	10' 4" (3,15 m)
Surface de cuisson au gaz	8' (2,44 m)	10' 4" (3,15 m)

**\*REMARQUE :** Les cache-conduits de hotte sont réglables; on peut les ajuster en fonction de la hauteur disponible sous plafond ou soffite, selon la distance "X" entre le bas de la hotte et la surface de cuisson. Pour des plafonds de hauteur supérieure, un ensemble d'extension de cache-conduit est disponible chez votre marchand ou chez un distributeur de pièces autorisé. L'extension de cache-conduit remplace le cache-conduit fourni avec la hotte. Pour commander, voir la section "Assistance ou service".

## Exigences concernant l'évacuation

- Le système d'évacuation doit décharger l'air à l'extérieur, excepté pour les installations sans décharge à l'extérieur (recyclage).
- Ne pas terminer le conduit d'évacuation dans un grenier ou dans un autre espace fermé.
- Ne pas utiliser une bouche de décharge murale de 4" (10,2 cm) normalement utilisée pour un équipement de buanderie.
- Utiliser un conduit métallique uniquement. Un conduit en métal rigide est recommandé. Ne pas utiliser de conduit de plastique ou de feuille métallique.
- Le système d'évacuation doit comporter un clapet. Si la bouche de décharge murale ou par le toit comporte un clapet, ne pas utiliser le clapet fourni avec la hotte de cuisinière.

### Pour un fonctionnement efficace et silencieux :

- Utiliser autant que possible des sections droites et minimiser le nombre de coudes.
- Ne pas utiliser plus de trois coudes à 90°.
- Veiller à ce qu'il y ait une section droite de conduit de 24" (61 cm) ou plus entre deux coudes, si on doit utiliser plus d'un raccord coudé.
- Ne pas installer 2 coudes ensemble.
- Au niveau de chaque jointure du conduit de décharge, assurer l'étanchéité avec des brides de serrage pour conduit.
- Autour de la bouche de décharge à l'extérieur par le toit ou par un mur, assurer l'étanchéité avec un produit de calfeutrage.
- La taille du conduit doit être uniforme.

### Installations dans une région à climat froid

Dans le circuit d'évacuation, on devrait installer un clapet anti-reflux additionnel pour minimiser le reflux d'air froid, ainsi qu'un élément d'isolation thermique pour minimiser le transfert de chaleur par conduction vers l'extérieur. Le clapet anti-reflux doit être placé du côté air froid par rapport à l'élément d'isolation thermique.

L'élément d'isolation thermique doit être aussi proche que possible de l'endroit où le système d'évacuation s'introduit dans la partie chauffée de la maison.

### Air d'appoint

Le code du bâtiment local peut exiger l'emploi d'un système de renouvellement de l'air/introduction d'air d'appoint, lors de l'utilisation d'un système d'aspiration de débit supérieur à une valeur (pieds cubes par minute) spécifiée. Le débit spécifié, en pieds cubes par minute, est variable d'une juridiction à une autre. Consulter un professionnel des installations de chauffage ventilation/climatisation au sujet des exigences spécifiques applicables dans la juridiction locale.

### Méthodes d'évacuation

Cette hotte en îlot a été configurée à l'usine pour la décharge à travers le toit.

Un circuit d'évacuation en conduit rond de 6" (15,2 cm) est nécessaire pour l'installation (non fourni). La hotte comporte une ouverture de sortie de diamètre 6" (15,2 cm).

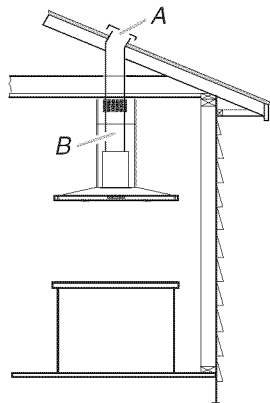
**REMARQUE :** On déconseille l'emploi d'un conduit flexible. Un conduit flexible produit une rétropression et des turbulences de l'air, ce qui réduit considérablement la performance.

La sortie à l'extérieur du circuit d'évacuation peut se faire à travers le toit ou à travers un mur. Pour la sortie à travers un mur, on doit employer un raccord coudé de 90°.

### Installation sans décharge à l'extérieur (recyclage)

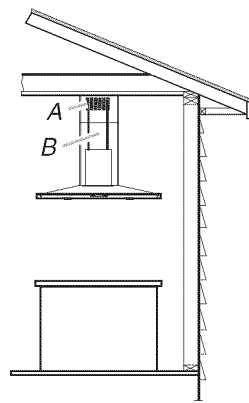
S'il n'est pas possible d'évacuer les fumées et vapeurs de cuisson à l'extérieur, on peut employer la version d'installation sans décharge à l'extérieur (recyclage) de la hotte à l'aide d'un ensemble de recyclage (comprenant des filtres à charbon et un déflecteur). Pour commander, voir la section "Assistance ou service".

#### Décharge à travers le toit



A. Bouche de décharge sur toit  
B. Conduit rond, dia. 6" (15,2 cm)

#### Pas de décharge à l'extérieur (recyclage)



A. Déflecteur  
B. Conduit rond, dia. 6" (15,2 cm)

**REMARQUE :** Une décharge murale peut être envisagée pour les maisons à deux étages.

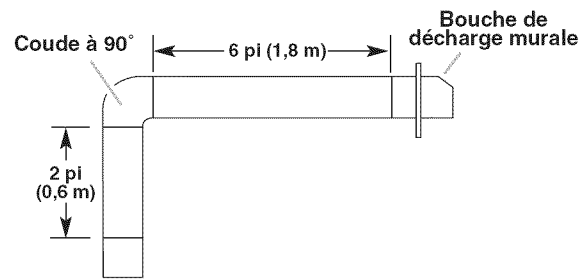
### Calcul de la longueur effective du circuit d'évacuation

Pour calculer la longueur effective du circuit d'évacuation nécessaire, additionner les longueurs équivalentes (pieds/mètres) de tous les composants utilisés dans le système.

Composant	Conduit dia. 6" (15,2 cm)	
Coude à 45°	2,5 pi (0,8 m)	
Coude à 90°	5 pi (1,5 m)	

La longueur équivalente maximum est de 35 pi (10,7 m).

### Exemple de système de décharge



Dans l'exemple suivant, la longueur théorique du circuit est inférieure au maximum de 35 pi (10,7 m).

1 - coude à 90°	= 5 pi (1,5 m)
1 - bouche de décharge murale	= 0 pi (0,0 m)
section droite de 8 pi (2,4 m)	= 8 pi (2,4 m)
<b>Longueur équivalente totale du circuit</b>	<b>= 13 pi (3,9 m)</b>

### Spécifications électriques

Observer les dispositions de tous les codes et règlements en vigueur.

S'assurer que l'installation électrique est correcte et qu'elle satisfait aux exigences de la plus récente édition de la norme National Electrical Code, ANSI/NFPA 70, ou de la norme CSA C22. 1-94, Code canadien de l'électricité, partie 1 et C22.2 n° 0-M91 (dernière édition) et de tous les codes et règlements en vigueur.

Si les codes le permettent et si l'on utilise un conducteur distinct de liaison à la terre, il est recommandé qu'un électricien qualifié vérifie la qualité de la liaison à la terre.

Pour obtenir un exemplaire des normes des codes ci-dessus, contacter :

National Fire Protection Association  
1 Batterymarch Park  
Quincy, MA 02169-7471  
CSA International  
8501 East Pleasant Valley Road  
Cleveland, OH 44131-5575

- L'appareil doit être alimenté par un circuit de 120 V CA seulement, 60 Hz, 15 ampères, protégé par fusible.
  - Si le domicile possède un câblage en aluminium, suivre la procédure ci-dessous :
    1. Raccorder une section de câble en cuivre massif aux conducteurs en queue de cochon.
    2. Connecter le câblage en aluminium à la section ajoutée de câblage en cuivre en utilisant des connecteurs et/ou des outils spécialement conçus et homologués UL pour fixer le cuivre à l'aluminium.
- Suivre la procédure recommandée par le fabricant de connecteurs électriques. Les raccords aluminium/cuivre doivent satisfaire aux prescriptions des codes locaux et de l'industrie, et être conformes aux pratiques de câblage reconnues.
- Le calibre des conducteurs et les connexions doivent être compatibles avec les caractéristiques électriques de l'appareil spécifiées sur la plaque signalétique. La plaque signalétique de l'appareil est située derrière le filtre, sur la paroi arrière de la hotte.
  - Le calibre des conducteurs doit être conforme aux exigences du National Electrical Code, de la plus récente édition de la norme ANSI/NFPA 70 ou des normes CSA C22. 1-94, Code canadien de l'électricité, partie 1 et C22.2 n° 0-M91 (édition la plus récente) et de tous les codes et règlements en vigueur.

# INSTRUCTIONS D'INSTALLATION

## Préparation de l'emplacement

- Il est recommandé que l'installation du circuit d'évacuation soit réalisée avant celle de la hotte.
  - Avant d'exécuter les découpages, vérifier qu'il existe un dégagement suffisant dans le plafond pour le conduit d'évacuation.
  - La hotte doit être installée à 24" (61 cm) min. des surfaces de cuisson électriques ou 27" (68,6 cm) min. des surfaces de cuisson au gaz, et à un maximum suggéré de 36" (91,2 cm) au-dessus de la surface de cuisson.
  - Avant de sélectionner la hotte à installer, mesurer la hauteur libre sous plafond et la hauteur maximum disponible sous la hotte.
1. Déconnecter la source de courant électrique.
  2. Déterminer la méthode d'évacuation à utiliser : décharge à travers le toit, ou recyclage.
  3. Sélectionner une surface plane pour l'assemblage de la hotte. Placer le matériau de protection sur cette surface.

### **AVERTISSEMENT**

#### Risque du poids excessif

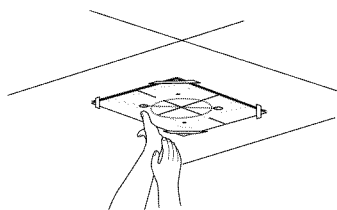
Utiliser deux ou plus de personnes pour déplacer et installer la hotte de la cuisinière.

Le non-respect de cette instruction peut causer une blessure au dos ou d'autre blessure.

4. À l'aide de deux personnes ou plus, soulever la hotte et la poser sur la surface couverte.

## Installation des vis de montage de la hotte

1. Déterminer l'emplacement d'installation de la hotte et en marquer l'axe central sur le plafond, en prenant en compte les normes relatives aux structures de soutien des plafonds. Voir la section "Exigences d'emplacement". S'assurer que la hotte est bien centrée par-dessus la surface de cuisson.
2. Fixer le gabarit au plafond avec du ruban adhésif au niveau de l'axe central. Le bord avant de la hotte de cuisinière doit être parallèle au bord avant du plan de travail.



3. À l'aide d'un crayon, marquer au plafond l'emplacement des vis de montage, du point d'accès au câblage et du trou de passage du conduit.

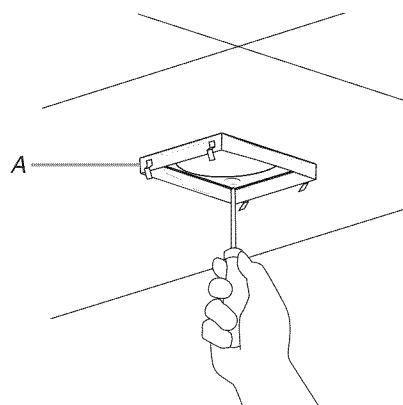
**REMARQUE :** Le montage de l'emplacement des trous doit se faire dans une structure de soutien du plafond capable de soutenir une charge de 100 lb (45,4 kg).

Retirer le gabarit.

4. Percer 4 avant-trous de 3/16" (4,8 mm) pour le montage du support horizontal supérieur.

## Terminer la préparation

1. Déterminer l'emplacement nécessaire pour le câble d'alimentation du domicile et percer un trou de 1/2" (1,3 cm) pour l'accès au câblage.
  2. Acheminer le câble d'alimentation du domicile selon les prescriptions du Code national de l'électricité, des normes CSA ou des codes et règlements locaux. Il faut que la longueur du conduit de 1/2" et des conducteurs soit suffisante depuis le tableau de distribution (avec fusibles ou disjoncteurs) pour réaliser le raccordement dans le boîtier de connexion de la hotte.
- REMARQUE :** Ne pas mettre le système sous tension avant d'avoir complètement terminé l'installation.
3. **Pour installations avec décharge à l'extérieur uniquement :** À l'aide d'une scie sauteuse ou scie à guichet, découper un trou de 6 1/2" (16,5 cm) de diamètre pour le conduit d'évacuation.
  4. Fixer le support horizontal supérieur à l'aide des 4 vis à bois de 5 x 45 mm.



A. Support horizontal supérieur

**IMPORTANT :** Toutes les vis doivent être vissées dans du bois. Si l'on ne peut pas visser les vis dans du bois, des tasseaux supplémentaires pour accrochage mural seront peut-être nécessaires. La structure de soutien du plafond doit être capable de soutenir une charge de 100 lb (45,4 kg).

## Installation de l'ensemble de ventilateur déporté intelligent en option

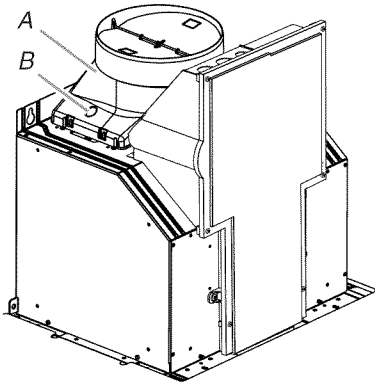
**REMARQUE :** La hotte peut fonctionner avec un moteur de ventilateur intégré ou externe (déporté). Un ensemble de ventilateur déporté intelligent en option (à acheter séparément) permet d'installer le moteur du ventilateur de la hotte ailleurs qu'à l'intérieur de la hotte.

**MISE EN GARDE :** Afin de réduire le risque d'incendie et de choc électrique, installer cette hotte de cuisinière uniquement avec l'ensemble de ventilateur déporté intelligent fabriqué par Whirlpool, référence W10692945.

Pour l'installer, consulter les instructions d'installation de l'ensemble de ventilateur déporté intelligent. Voir la section "Assistance ou service" pour commander.

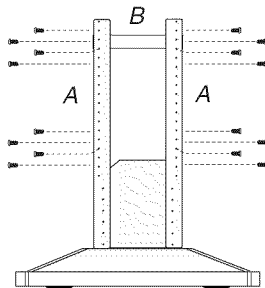
## Assemblage et installation de la hotte

1. Installer le raccord de transition au sommet de la hotte (s'il a été enlevé pour expédition), avec 2 vis de tôlerie de 3,5 x 9,5 mm.



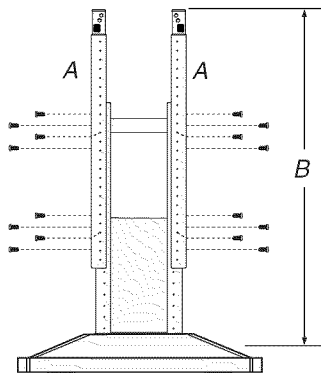
A. Raccord de transition  
B. Vis de 3,5 x 9,5 mm

2. Positionner les 4 supports verticaux (A) en orientant les encoches vers le bas et les fixer à la hotte à l'aide de 16 vis de 4,2 x 8 mm.
3. Fixer le support horizontal (B) à l'aide de 8 vis de 4,2 x 8 mm.



A. Supports verticaux  
B. Support horizontal

4. Fixer un deuxième ensemble de supports verticaux (A) et régler la hauteur verticale (B). Voir "Dégagements pour l'installation" dans la section "Exigences d'emplacement" pour déterminer la dimension souhaitée pour la hauteur verticale (B). Fixer avec 16 vis T20® de 4,2 x 8 mm.

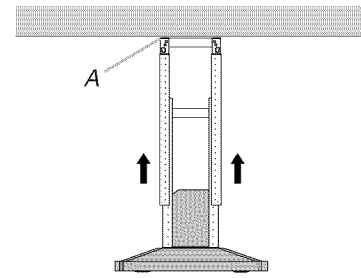


A. Supports verticaux  
B. Hauteur verticale

5. À l'aide d'au moins 2 personnes, soulever la hotte et la fixer en emboîtant les supports verticaux sur les attaches à ressort du support horizontal supérieur monté au plafond.

**REMARQUE :** La hotte doit être maintenue en place lors de l'installation des vis à l'étape suivante.

6. Installer 16 vis de 4,2 x 8 mm et les serrer pour les fixer.



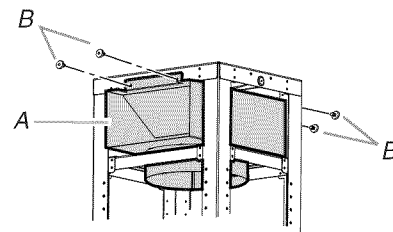
A. Vis de montage

### Raccordement du circuit d'évacuation

1. Installer le circuit d'évacuation.
2. Enfoncer le conduit sur la bouche d'évacuation. Utiliser des brides de conduit pour assurer l'étanchéité de toutes les connexions.
3. Utiliser un calfeutrant pour assurer l'étanchéité au niveau de chaque ouverture.

### Installation sans décharge à l'extérieur (recyclage)

1. Fixer le déflecteur d'air au support horizontal supérieur à l'aide de 4 vis de montage.



A. Déflecteur  
B. Vis de montage

2. Mesurer la longueur de conduit d'évacuation de 6" (15,2 cm) nécessaire pour le raccordement entre le raccord de transition et le déflecteur.

**REMARQUE :** Le conduit devrait être inséré d'au moins 1" (2,5 cm) à l'intérieur du déflecteur.

3. Installer le conduit d'évacuation entre le raccord de transition et le déflecteur.

**REMARQUE :** Pour faciliter l'installation du conduit, retirer temporairement le déflecteur de la bride de support de cache-conduit et le réinstaller une fois la section de conduit en place.

4. Utiliser des brides de conduit pour assurer l'étanchéité de toutes les connexions.

## Raccordement électrique

### **⚠ AVERTISSEMENT**



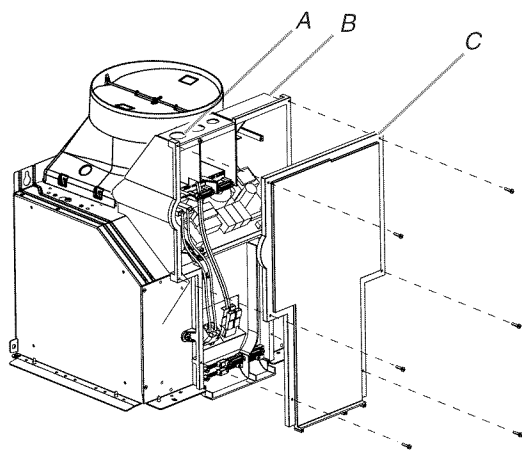
#### Risque de choc électrique

Déconnecter la source de courant électrique avant l'entretien.

Replacer pièces et panneaux avant de faire la remise en marche.

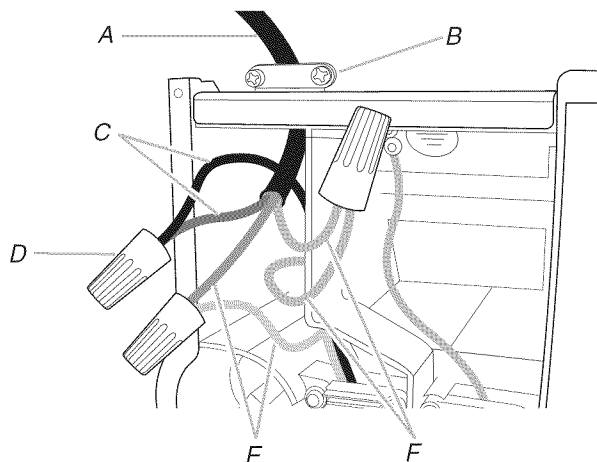
Le non-respect de ces instructions peut causer un décès ou un choc électrique.

1. Déconnecter la source de courant électrique.
2. Retirer le couvercle du boîtier de connexion.
3. Ôter l'opercule arrachable du boîtier de connexion et installer un serre-câble de ½" (12,7 mm) (homologation UL ou CSA).



A. Opercule arrachable  
B. Boîtier de connexion  
C. Couvercle du boîtier de connexion

4. Acheminer le cordon d'alimentation du domicile à travers le serre-câble et ensuite dans le boîtier de connexion.



A. Câble d'alimentation électrique du domicile  
B. Serre-câble (homologation UL ou CSA)  
C. Conducteurs noirs  
D. Connecteurs de fils (homologation UL)  
E. Conducteurs blancs  
F. Conducteurs vert (ou nu) et jaune-vert de liaison à la terre

5. Connecter ensemble les conducteurs noirs (C) à l'aide de connecteurs de fils (homologation UL).
6. Connecter ensemble les conducteurs blancs (E) à l'aide de connecteurs de fils (homologation UL).

### **⚠ AVERTISSEMENT**



#### Risque de choc électrique

Relier le ventilateur à la terre.

Brancher le fil relié à la terre au fil vert et jaune relié à la terre dans la boîte de la borne.

Le non-respect de ces instructions peut causer un décès ou un choc électrique.

7. À l'aide des connecteurs de fils (homologation UL), connecter le conducteur de liaison à la terre (vert ou nu) du câble d'alimentation du domicile au conducteur jaune-vert de liaison à la terre (F) dans le boîtier de connexion.
8. Serrer la vis du serre-câble.
9. Installer le couvercle du boîtier de connexion.
10. Vérifier que chaque ampoule est bien insérée dans sa douille.
11. Reconnecter la source de courant électrique.

#### Installations avec l'ensemble du cordon d'alimentation en option

Pour les installations avec l'ensemble du cordon d'alimentation facultatif, suivre les instructions fournies avec l'ensemble du cordon d'alimentation. Voir la section "Assistance ou service" pour plus d'informations sur le processus de commande.

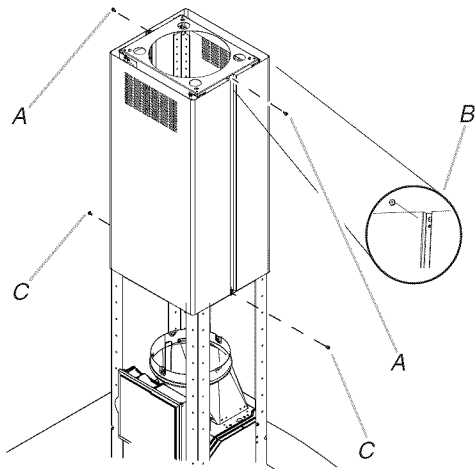
**REMARQUE :** Utiliser uniquement avec des nécessaires de raccordement du cordon d'alimentation de la hotte de cuisinière dont l'utilisation a été testée et déclarée adéquate pour ce modèle de hotte de cuisinière.



## Installation des cache-conduits

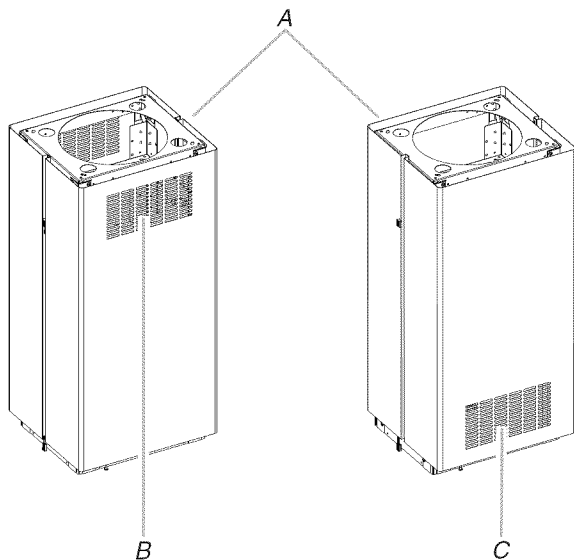
**REMARQUE :** Enlever la pellicule des cache-conduits.

1. Assembler les parties supérieures des cache-conduits ensemble et installer les cache-conduits autour du cadre de support. Le trou le plus gros sur les rebords de la partie supérieure du cache-conduit doit se trouver à l'extérieur du trou le plus petit sur le rebord en contact de l'autre partie supérieure du cache-conduit.
2. Fixer ensemble la partie supérieure des cache-conduits avec 2 vis de 3,5 x 6,5 mm sur le haut et 2 vis de 2,9 x 3 mm sur le bas. Installer 1 vis de chaque côté du haut et du bas des cache-conduits assemblés.



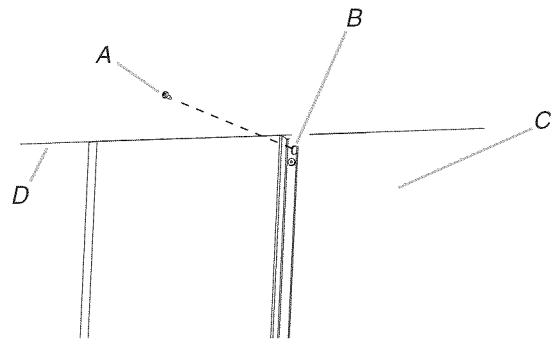
- A. Vis de 3,5 x 6,5 mm (2)  
 B. Trous des assemblages (le trou le plus gros à l'extérieur du trou le plus petit des deux côtés)  
 C. Vis de 2,9 x 3 mm (2)

**REMARQUE :** Pour une installation sans décharge à l'extérieur (recyclage), les fentes de la partie supérieure des cache-conduits seront visibles une fois assemblés. Pour les installations avec décharge à l'extérieur, les fentes de la partie supérieure des cache-conduits seront dissimulées par la partie inférieure.



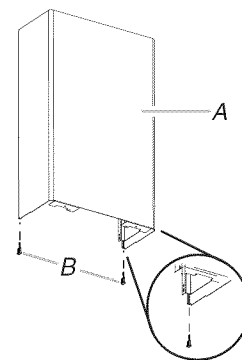
- A. Partie supérieure orientée vers le plafond  
 B. Fentes installées vers le haut pour installations sans décharge à l'extérieur  
 C. Fentes installées vers le bas pour installations avec décharge à l'extérieur

3. Faire glisser la partie supérieure des cache-conduits en haut du cadre vers le plafond et les fixer au support horizontal supérieur à l'aide de 2 vis de 3,5 x 6,5 mm.



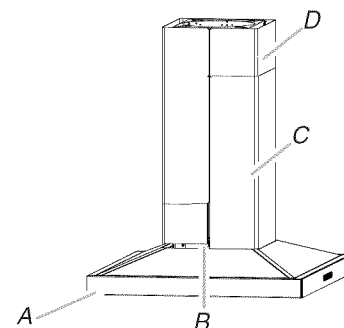
- A. Vis de 3,5 x 6,5 mm  
 B. Trous allongés (2)  
 C. Partie supérieure des cache-conduits  
 D. Plafond

4. Placer l'extrémité longue des chevilles en plastique (2) au bas de la partie inférieure avant du cache-conduit.



- A. Partie inférieure du cache-conduit (avant)  
 B. Chevilles en plastique (2) (extrémité longue pour placement à l'avant)

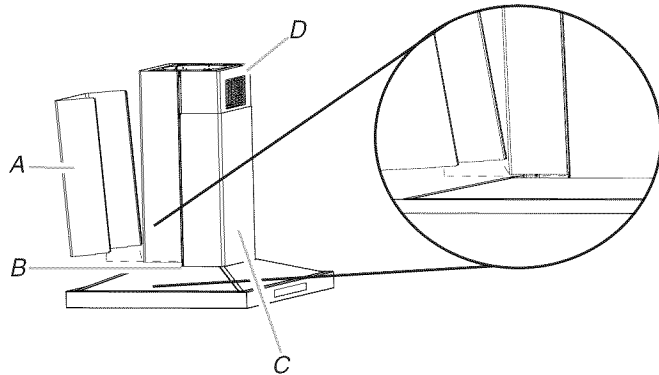
5. Installer la partie inférieure du cache-conduit (avant) à l'auvent de la hotte de cuisinière. Écarter la partie inférieure du cache-conduit en l'ouvrant légèrement et la positionner sur la partie supérieure du cache-conduit. Mettre en place la partie inférieure du cache-conduit. Positionner de façon à ce que les rebords de la partie inférieure du cache-conduit se placent dans les rebords de la partie supérieure des cache-conduits.



- A. Auvent de la hotte de cuisinière  
 B. Chevilles en plastique  
 C. Partie inférieure des cache-conduits  
 D. Partie supérieure des cache-conduits

6. Installer la partie inférieure du cache-conduit (arrière) à l'auvent de la hotte de cuisinière. Écarter la partie inférieure du cache-conduit en l'ouvrant légèrement et la positionner sur la partie supérieure du cache-conduit. Mettre en place la partie inférieure du cache-conduit. Positionner de façon à ce que les rebords de la partie inférieure du cache-conduit se placent dans les rebords de la partie supérieure du cache-conduit. S'assurer que les parties inférieures avant et arrière des cache-conduits communiquent correctement.

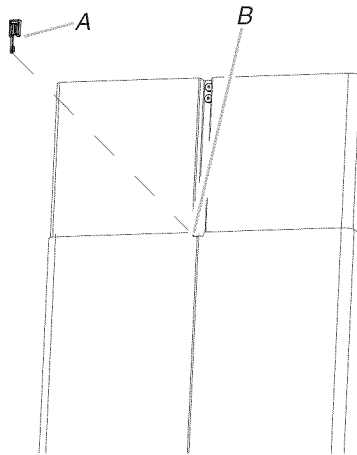
**REMARQUE :** Lors de l'assemblage de la partie inférieure arrière du cache-conduit à la partie inférieure avant, le rebord (des deux côtés) doit être placé par-dessus la cheville en plastique afin de fixer ensemble la partie inférieure des cache-conduits à la base.



A. Partie inférieure du cache-conduit (arrière)  
B. Chevilles en plastique

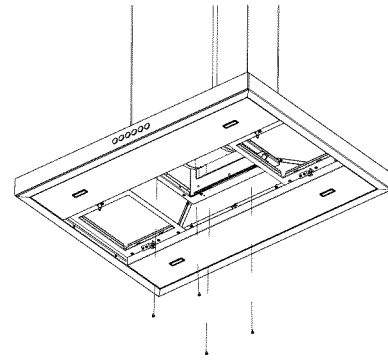
C. Partie inférieure des cache-conduits  
D. Partie supérieure des cache-conduits

7. Fixer ensemble les parties inférieures des cache-conduits sur le sommet à l'aide de 2 chevilles en plastique. Utiliser une cheville en plastique de chaque côté.



A. Chevilles en plastique (2)  
B. Emplacement de la cheville supérieure de la partie inférieure des cache-conduits

8. Fixer la partie inférieure du cache-conduit à l'auvent de la hotte de cuisinière en utilisant 4 vis de 4,2 x 8 mm.



## Achever l'installation

1. Pour les installations sans décharge à l'extérieur (recyclage) uniquement, installer les filtres à charbon par-dessus les filtres métalliques. Voir la section "Entretien de la hotte de cuisinière".
2. Installer les filtres métalliques. Voir la section "Entretien de la hotte de cuisinière".
3. Contrôler le fonctionnement du ventilateur de la hotte et de la lampe. Voir la section "Utilisation de la hotte de cuisinière".

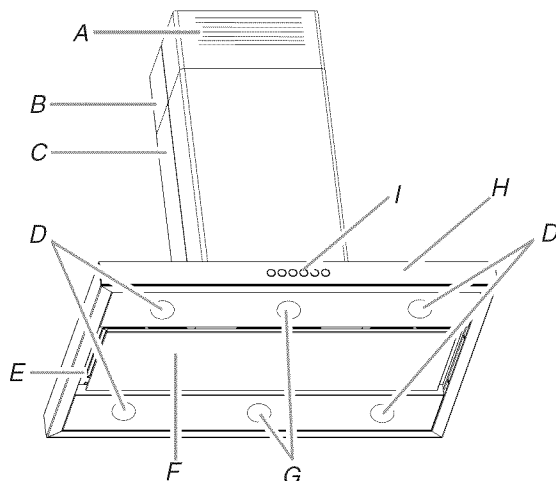
Si la hotte ne fonctionne pas, déterminer si un disjoncteur s'est ouvert ou si un fusible du domicile est grillé.

**REMARQUE :** Pour pouvoir tirer le plus grand parti de la nouvelle hotte de cuisinière, lire la section "Utilisation de la hotte de cuisinière".

# UTILISATION DE LA HOTTE

La hotte de cuisinière est conçue pour extraire fumée, vapeurs de cuisson et odeurs de la zone de la table de cuisson. Pour obtenir les meilleurs résultats, mettre la hotte en marche avant d'entreprendre une cuisson, et laisser la hotte fonctionner pendant plusieurs minutes après l'achèvement d'une cuisson pour pouvoir évacuer de la cuisine tous résidus d'odeur de cuisson ou de fumée.

Les commandes de la hotte de la cuisinière sont situées à l'avant du auvent.



A. Ouvertures persiennes (installations sans décharge à l'extérieur [recyclage] uniquement)

B. Partie supérieure des cache-conduits

C. Partie inférieure des cache-conduits

D. Lampes DEL (4)

E. Filtres à graisse métalliques (situés derrière le couvercle périmétrique)

F. Couvercle périmétrique

G. Lampes à halogène (2)

H. Auvent

I. Tableau de commande

## Tableau de commande



## Commandes et caractéristiques

### REMARQUES :

- Pour activer les commandes, appuyer puis relâcher le bouton désiré.
- Lorsqu'une caractéristique est enclenchée, le bouton correspondant s'illumine.

### Mode de veille

Lorsqu'elle n'est pas utilisée, la hotte se met automatiquement en mode veille. Au bout de 10 minutes d'inactivité de la hotte, tous les témoins lumineux des boutons de commande s'éteignent. Pour désactiver le mode de veille, appuyer sur n'importe quel bouton.

### Auto Sense (détection automatique)

La fonction Auto Sense (détection automatique) met la hotte en marche automatiquement lorsqu'elle détecte une chaleur supérieure à la limite de température permise. Lorsque la fonction Auto Sense (détection automatique) est activée, la vitesse du ventilateur augmente ou diminue selon la température détectée par Auto Sense.

La fonction Auto Sense peut être augmentée manuellement en sélectionnant une vitesse de ventilateur plus élevée. Le moteur du ventilateur fonctionnera à la vitesse sélectionnée pendant 10 minutes avant de revenir à la vitesse sélectionnée par Auto Sense.

Si la fonction Auto Sense est activée, le témoin lumineux du bouton Auto s'éteint et entre en mode veille lorsque la hotte n'est pas utilisée. Si la hotte est mise en marche par l'utilisateur ou par la fonction Auto Sense (détection automatique), le témoin lumineux du bouton Auto s'allume.

### Pour régler la fonction Auto Sense (détection automatique) :

Appuyer sur AUTO.

### Pour sélectionner le type de table de cuisson pour la fonction Auto Sense (détection automatique) :

**REMARQUE :** Cette hotte a été configurée à l'usine pour détecter une table de cuisson à gaz.

Appuyer sur AUTO pendant 5 secondes pour passer du mode table de cuisson à gaz au mode table de cuisson électrique.

Le témoin lumineux du bouton Auto clignote 5 fois lorsque la hotte passe au mode table de cuisson électrique. La fonction Auto Sense est à présent configurée pour les tables de cuisson et les cuisinières électriques.

Le témoin lumineux du bouton Auto clignote 3 fois lorsque la hotte passe au mode table de cuisson à gaz. La fonction Auto Sense est à présent configurée pour les tables de cuisson et les cuisinières à gaz.

Modifier le type de table de cuisson modifie également la limite de température mettant en route la fonction Auto Sense. Lorsque la hotte détecte une température suffisamment élevée, le ventilateur se met en route automatiquement. Lorsque la température descend en dessous de la limite réglée, le ventilateur s'arrête automatiquement. Le témoin lumineux du bouton Auto s'éteint lorsque la hotte entre en mode veille, mais la fonction Auto Sense est toujours active.

## Pour désactiver la fonction Auto Sense (détection automatique) :

Si le témoin lumineux du bouton Auto est allumé, appuyer une fois sur AUTO pour désactiver la fonction Auto Sense. Le témoin lumineux du bouton Auto s'éteint.

Si la fonction Auto Sense est en mode veille, appuyer une fois sur AUTO pour désactiver le mode veille, et le bouton Auto s'allume. Appuyer encore une fois sur AUTO pour désactiver le mode Auto Sense, et le témoin lumineux du bouton Auto s'éteint.

Le système de déclenchement automatique Auto Sense s'éteint automatiquement après 2 heures d'inactivité. Pour réactiver Auto Sense, appuyer sur AUTO.

## Fonctions manuelles de ventilation

### Vitesses du ventilateur

<b>Low (basse)</b>	Appuyer sur LOW (basse) pour mettre en marche le ventilateur à vitesse peu élevée.
<b>Med (moyenne)</b>	Appuyer sur MED (moyenne) pour mettre en marche le ventilateur à vitesse moyenne.
<b>Hi (élevée)</b>	Appuyer sur HI (élevée) pour mettre en marche le ventilateur à vitesse élevée.
<b>Boost (niveau optimal)</b>	Appuyer sur BOOST (niveau optimal) pour mettre en marche le ventilateur à vitesse maximale. Le mode Boost s'arrête automatiquement au bout de 10 minutes, et la vitesse du ventilateur se règle sur High (élevée).

## Minuterie

La hotte peut être réglée pour s'éteindre automatiquement après 15 minutes.

1. Maintenir appuyé le bouton de la vitesse de ventilateur désirée pendant 2 secondes.

Le moteur du ventilateur fonctionne alors à la vitesse sélectionnée pendant 15 minutes et le témoin lumineux de la vitesse du ventilateur clignote en continu.

Après 15 minutes, le ventilateur s'éteint automatiquement.

2. Lorsque la minuterie du ventilateur est en marche, appuyer encore une fois sur le bouton correspondant à la vitesse de ventilateur désirée pour annuler la minuterie du ventilateur.

**REMARQUE :** On peut également annuler la minuterie de 15 minutes en modifiant la vitesse du ventilateur ou en mettant en route la fonction Auto Sense (détection automatique).

## Éclairage

La hotte est équipée d'un éclairage de travail et d'un éclairage d'ambiance.

### Fonctionnement de l'éclairage :

1. Appuyer une fois sur la touche LIGHT (éclairage) pour allumer les DEL de l'éclairage de travail.
2. Appuyer une nouvelle fois sur la touche LIGHT (éclairage) pour éteindre les DEL de l'éclairage de travail. L'éclairage d'ambiance s'allume.
3. Appuyer sur LIGHT (éclairage) une troisième fois pour éteindre l'éclairage d'ambiance.

**REMARQUE :** Pour allumer en même temps l'éclairage de travail et l'éclairage d'ambiance, appuyer sur LIGHT (éclairage) pendant 2 secondes. Appuyer une nouvelle fois sur la touche LIGHT (éclairage) pour éteindre l'éclairage de travail et l'éclairage d'ambiance.

# ENTRETIEN DE LA HOTTE

## Nettoyage

**IMPORTANT :** Nettoyer fréquemment la hotte et les filtres à graisse en suivant les instructions suivantes. Réinstaller les filtres à graisse avant de faire fonctionner la hotte.

### Surfaces externes :

Afin d'éviter d'endommager la surface externe, ne pas utiliser de tampons en laine d'acier ou de tampons à récurer savonneux.

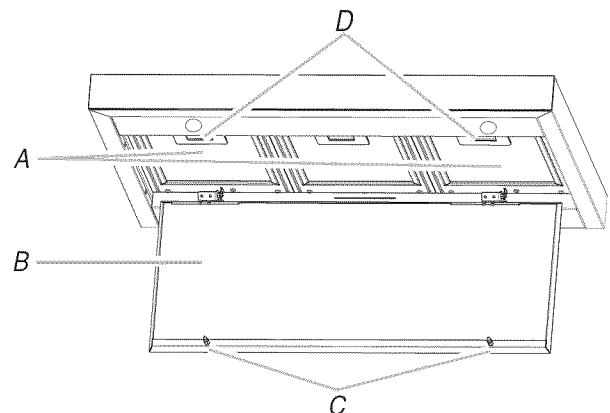
Toujours essuyer pour éviter de laisser des marques d'eau.

### Méthode de nettoyage :

- Savon détergent liquide et eau, ou produit de nettoyage polyvalent.
- Frotter avec un chiffon doux humide ou une éponge non abrasive, puis rincer avec de l'eau propre et essuyer.

## Filtre à graisse métallique

1. Ouvrir le panneau en acier inoxydable. Saisir le panneau par les coins avant et tirer vers le bas pour dégager les 2 pitons de retenue des loquets à ressort. Le panneau est attaché par l'arrière et pivote vers le bas.



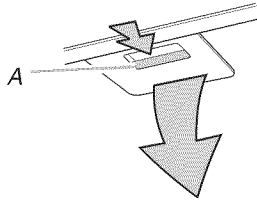
A. Filtres métalliques

B. Panneau en acier inoxydable

C. Pitons de retenue (2)

D. Loquets à ressort (2)

- Retirer chaque filtre en tirant sur la poignée à ressort, puis en tirant le filtre vers le bas.



A. Poignée à ressort

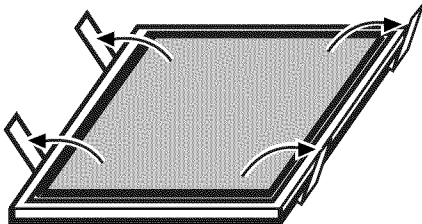
- Laver les filtres métalliques selon le besoin au lave-vaisselle ou avec une solution de détergent chaude.
- Réinstaller le filtre en s'assurant que les poignées à ressort sont orientées vers l'avant. Insérer le filtre d'aluminium dans la rainure supérieure.
- Enfoncer la poignée à ressort.
- Pousser le filtre métallique vers le haut et relâcher la poignée pour emboîter le loquet.
- Répéter les étapes 1 à 5 pour l'autre filtre.
- Fermer le panneau en acier inoxydable. Fixer en engageant les (2) pitons dans les loquets à ressort.

### Filtres d'installation sans décharge à l'extérieur (recyclage)

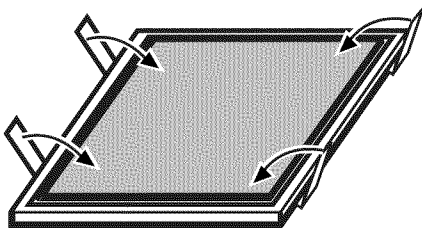
Le filtre à charbon n'est pas lavable. Celui-ci devrait durer pendant 6 mois dans des conditions d'utilisation normales. Remplacer par l'ensemble de filtre à charbon. Voir la section "Accessoires" pour plus d'informations sur le processus de commande.

#### Remplacement du filtre à charbon :

- Retirer le filtre à graisse métallique de la hotte. Voir "Filtre à graisse métallique" dans cette section.
- Déplier les attaches à ressort pour les écarter du filtre à graisse métallique.



- Placer le filtre à charbon dans la partie supérieure du filtre métallique.
- Replier les attaches à ressort pour les remettre en place afin de fixer le filtre à charbon au filtre métallique.



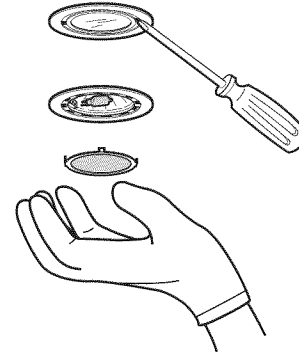
- Réinstaller le filtre à graisse métallique. Voir "Filtre à graisse métallique" dans cette section.

### Remplacement d'une lampe à halogène (éclairage ambiant)

Interrompre l'alimentation de la hotte; attendre le refroidissement de la lampe à halogène. Pour éviter d'endommager ou de réduire la longévité de la lampe neuve, ne pas toucher la lampe avec les doigts nus. Remplacer la lampe en la manipulant avec un mouchoir de papier ou des gants de coton.

Si les nouvelles lampes ne fonctionnent pas, vérifier que chaque lampe est correctement insérée dans sa douille avant de demander l'intervention d'un dépanneur.

- Déconnecter la source de courant électrique.
- À l'aide d'un tournevis à lame plate, dégager le protège-lampe avec précaution.



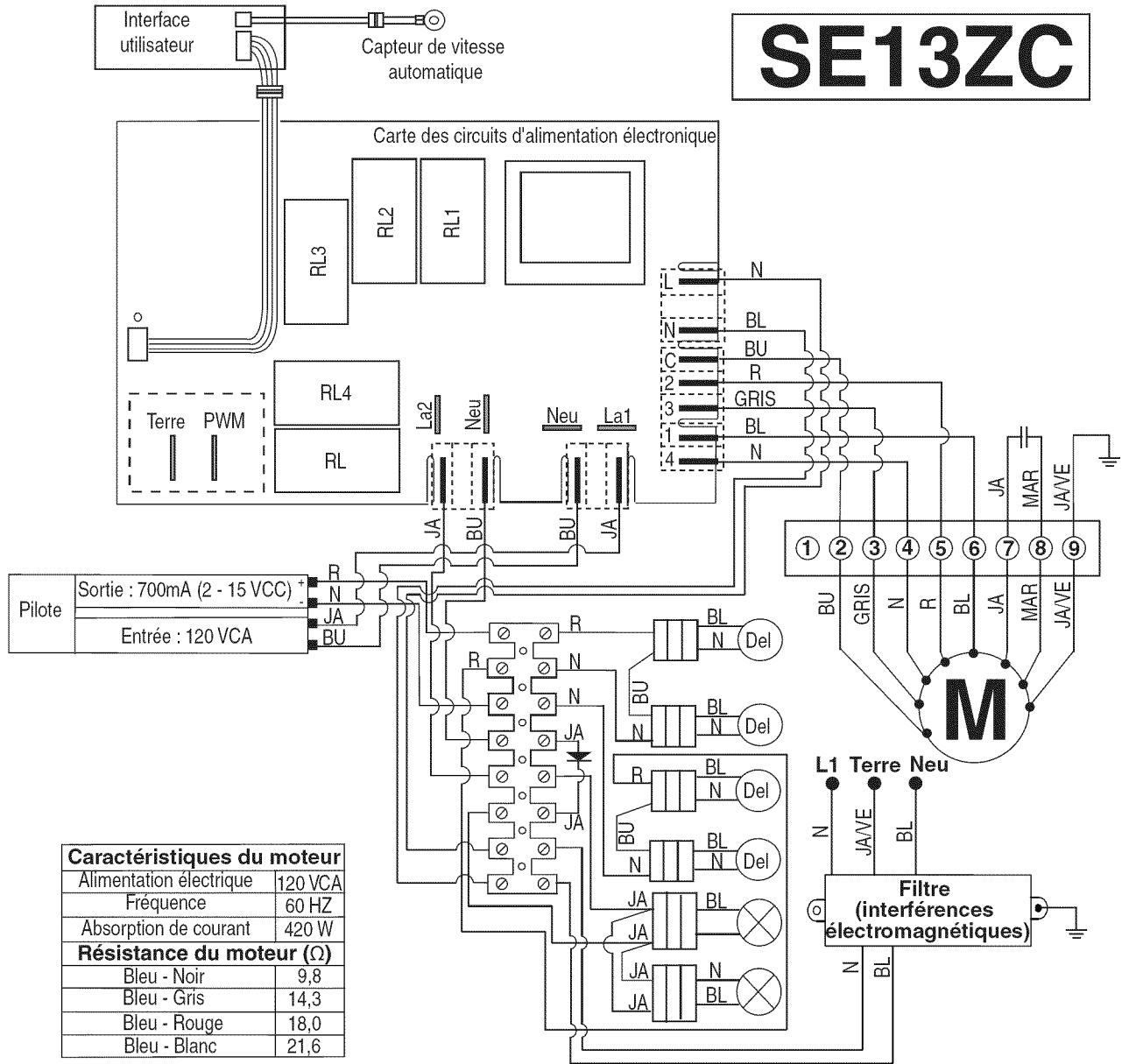
- Enlever la lampe. Installer une lampe à halogène neuve de 120 V/40 W maximum, à culot de type G-9.
- Réinstaller le protège-lampe.
- Reconnecter la source de courant électrique.

### Remplacement d'une lampe à DEL

Les lampes DEL doivent être remplacées par un technicien de service qualifié uniquement. Voir la section "Assistance ou service" pour des renseignements de contact sur le service.

# SCHÉMA DE CÂBLAGE

## SE13ZC



Caractéristiques du moteur	
Alimentation électrique	120 VCA
Fréquence	60 HZ
Absorption de courant	420 W
Résistance du moteur (Ω)	
Bleu - Noir	9,8
Bleu - Gris	14,3
Bleu - Rouge	18,0
Bleu - Blanc	21,6

---

# ASSISTANCE OU SERVICE

## Si vous avez besoin de service

Consulter la page de garantie du présent manuel.

## Si vous avez besoin de pièces de rechange

Si vous avez besoin de commander des pièces de rechange, nous vous recommandons d'utiliser seulement des pièces spécifiées par l'usine. Les pièces spécifiées par l'usine conviendront et fonctionneront bien car elles sont fabriquées avec la même précision que celles utilisées pour fabriquer chaque nouvel appareil.

Pour localiser des pièces spécifiées par l'usine dans votre région, composer le numéro de téléphone d'aide à la clientèle suivant ou appeler le centre de service désigné le plus proche.

---

## Au Canada

Veillez appeler sans frais le Centre pour l'expérience de la clientèle de Whirlpool Canada LP au : **1-800-807-6777** ou visitez notre site Web à **www.kitchenaid.ca**.

### Nos consultants vous renseigneront sur les sujets suivants :

- Programmation d'une intervention de dépannage. Les techniciens de service désignés par KitchenAid sont formés pour remplir la garantie des produits et fournir un service après garantie partout au Canada.
- Caractéristiques et spécifications sur toute notre gamme d'appareils électroménagers.
- Références aux marchands locaux.
- Consignes d'utilisation et d'entretien.
- Vente d'accessoires et de pièces de rechange.

## Pour plus d'assistance

Si vous avez besoin de plus d'assistance, vous pouvez soumettre par écrit toute question ou préoccupation à Whirlpool Canada LP à l'adresse suivante :

Centre pour l'expérience de la clientèle  
Whirlpool Canada LP  
200 - 6750 Century Ave.  
Mississauga, Ontario L5N 0B7

Veillez inclure dans votre correspondance un numéro de téléphone où l'on peut vous joindre dans la journée.

---

## Accessoires

### Ensemble Filtre à charbon

(pour une installation sans décharge à l'extérieur seulement)

Commander la pièce n° W10692910

### Ensemble de recyclage

(pour installations sans décharge à l'extérieur uniquement)

Commander la pièce n° W10692909

### Ensemble d'extension de cheminée

Commander la pièce n° W10688278

### Ensemble d'extension de cheminée - Acier inoxydable noir

(pour la hotte de ventilation en acier inoxydable noir modèle KVIB606DBS)

Commander la pièce numéro W10750800

### Ensemble d'air de compensation de 6" (15,2 cm)

(consulter les codes du bâtiment locaux)

Commander la pièce n° W10446915

### Ensemble de cordon d'alimentation

Commander la pièce n° W10613691

### Ensemble de ventilateur déporté intelligent

Commander la pièce n° W10692945

# GARANTIE LIMITÉE DES GROS APPAREILS MÉNAGERS KITCHENAID®

ATTACHEZ ICI VOTRE REÇU DE VENTE. UNE PREUVE D'ACHAT EST OBLIGATOIRE POUR OBTENIR L'APPLICATION DE LA GARANTIE.

Lorsque vous appelez le centre d'eXpérience de la clientèle, veuillez garder à disposition les renseignements suivants :

- Nom, adresse et numéro de téléphone
- Numéros de modèle et de série
- Une description claire et détaillée du problème rencontré
- Une preuve d'achat incluant le nom et l'adresse du marchand ou du détaillant

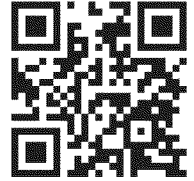
## SI VOUS AVEZ BESOIN DE SERVICE :

1. Avant de nous contacter pour obtenir un dépannage, veuillez déterminer si des réparations sont nécessaires pour votre produit. Certains problèmes peuvent être résolus sans intervention de dépannage. Prenez quelques minutes pour parcourir la section Dépannage ou Résolution de problèmes du guide d'utilisation et d'entretien, scannez le code QR ci-contre avec votre téléphone intelligent pour accéder à des ressources supplémentaires, ou rendez-vous sur le site <http://www.kitchenaid.ca>.
2. Tout service sous garantie doit être effectué exclusivement par nos fournisseurs de dépannage autorisés KitchenAid. Aux É.-U. et au Canada, dirigez toutes vos demandes de service sous garantie au

**Centre d'eXpérience de la clientèle KitchenAid**

**Aux É.-U., composer le 1-800-422-1230. Au Canada, composer le 1-800-807-6777.**

Si vous résidez à l'extérieur du Canada et des 50 États des États-Unis, contactez votre marchand KitchenAid autorisé pour déterminer si une autre garantie s'applique.



<http://www.kitchenaid.ca>

## GARANTIE LIMITÉE DE UN AN

### CE QUI EST COUVERT

Pendant un an à compter de la date d'achat, lorsque ce gros appareil ménager est installé, utilisé et entretenu conformément aux instructions jointes à ou fournies avec le produit, la marque KitchenAid de Whirlpool Corporation ou Whirlpool Canada, LP (ci-après désignées "KitchenAid") décidera à sa seule discrétion de remplacer le produit ou de couvrir le coût des pièces spécifiées par l'usine et de la main-d'œuvre nécessaires pour corriger les vices de matériaux ou de fabrication qui existaient déjà lorsque ce gros appareil ménager a été acheté. S'il est remplacé, l'appareil sera couvert pour la période restant à courir de la garantie limitée d'un an du produit d'origine.

LE SEUL ET EXCLUSIF RECOURS DU CLIENT DANS LE CADRE DE LA PRÉSENTE GARANTIE LIMITÉE CONSISTE EN LA RÉPARATION PRÉVUE PAR LA PRÉSENTE. Le service doit être fourni par une compagnie de service désignée par KitchenAid. Cette garantie limitée est valide uniquement aux États-Unis ou au Canada et s'applique exclusivement lorsque le gros appareil ménager est utilisé dans le pays où il a été acheté. La présente garantie limitée est valable à compter de la date d'achat initial par le consommateur. Une preuve de la date d'achat initial est exigée pour obtenir un dépannage dans le cadre de la présente garantie limitée.

### CE QUI N'EST PAS COUVERT

1. Usage commercial, non résidentiel ou par plusieurs familles, ou non-respect des instructions de l'utilisateur, de l'opérateur ou des instructions d'installation.
2. Visite d'instruction à domicile pour montrer à l'utilisateur comment utiliser l'appareil.
3. Visites de service pour rectifier une installation ou un entretien fautifs du produit, une installation non conforme aux codes d'électricité ou de plomberie, ou la rectification de l'installation électrique ou de la plomberie du domicile (ex : câblage électrique, fusibles ou tuyaux d'arrivée d'eau du domicile).
4. Pièces consommables (ex : ampoules, batteries, filtres à air ou à eau, solutions de conservation, etc.).
5. Conversion de votre produit du gaz naturel ou du gaz de pétrole liquéfié.
6. Dommages causés par : accident, mésusage, abus, incendie, inondations, catastrophe naturelle ou l'utilisation de produits non approuvés par KitchenAid.
7. Réparations aux pièces ou systèmes dans le but de rectifier un dommage ou des défauts résultant d'une réparation, altération ou modification non autorisée faite à l'appareil.
8. Défauts d'apparence, notamment les éraflures, traces de choc, fissures ou tout autre dommage subi par le fini de l'appareil ménager, à moins que ces dommages ne résultent de vices de matériaux ou de fabrication et ne soient signalés à KitchenAid dans les 30 jours suivant la date d'achat.
9. Décoloration, rouille ou oxydation des surfaces résultant d'environnements caustiques ou corrosifs incluant des concentrations élevées de sel, un haut degré d'humidité ou une exposition à des produits chimiques (exemples non exhaustifs).
10. Perte d'aliments ou de médicaments due à la défaillance du produit.
11. Enlèvement ou livraison. Ce produit est conçu pour être réparé à l'intérieur du domicile.
12. Frais de déplacement et de transport pour le dépannage/la réparation dans une région éloignée où une compagnie de service KitchenAid autorisée n'est pas disponible.
13. Retrait ou réinstallation d'appareils inaccessibles ou de dispositifs préinstallés (ex : garnitures, panneaux décoratifs, plancher, meubles, îlots de cuisine, plans de travail, panneaux de gypse, etc.) qui entravent le dépannage, le retrait ou le remplacement du produit.
14. Service et pièces pour des appareils dont les numéros de série et de modèle originaux ont été enlevés, modifiés ou ne peuvent pas être facilement identifiés.

**Le coût d'une réparation ou d'un remplacement dans le cadre de ces circonstances exclues est à la charge du client.**

## CLAUSE D'EXONÉRATION DE RESPONSABILITÉ AU TITRE DES GARANTIES IMPLICITES

LES GARANTIES IMPLICITES, Y COMPRIS LES GARANTIES APPLICABLES DE QUALITÉ MARCHANDE OU D'APTITUDE À UN USAGE PARTICULIER, SONT LIMITÉES À UN AN OU À LA PLUS COURTE PÉRIODE AUTORISÉE PAR LA LOI. Certains États et provinces ne permettent pas de limitation sur la durée des garanties implicites de qualité marchande ou d'aptitude à un usage particulier, de sorte que la limitation ci-dessus peut ne pas être applicable dans votre cas. Cette garantie vous confère des droits juridiques spécifiques et vous pouvez également jouir d'autres droits qui peuvent varier d'une juridiction à l'autre.

## EXONÉRATION DE RESPONSABILITÉ DANS LES DOMAINES NON COUVERTS PAR LA GARANTIE

KitchenAid décline toute responsabilité au titre de la qualité, de la durabilité ou en cas de dépannage ou de réparation nécessaire sur ce gros appareil ménager autre que les responsabilités énoncées dans la présente garantie. Si vous souhaitez une garantie plus étendue ou plus complète que la garantie limitée fournie avec ce gros appareil ménager, adressez-vous à KitchenAid ou à votre détaillant pour obtenir les modalités d'achat d'une garantie étendue.

## LIMITATION DES RECOURS; EXCLUSION DES DOMMAGES FORTUITS OU INDIRECTS

LE SEUL ET EXCLUSIF RECOURS DU CLIENT DANS LE CADRE DE LA PRÉSENTE GARANTIE LIMITÉE CONSISTE EN LA RÉPARATION PRÉVUE PAR LA PRÉSENTE. KITCHENAID N'ASSUME AUCUNE RESPONSABILITÉ POUR LES DOMMAGES FORTUITS OU INDIRECTS. Certains États et certaines provinces ne permettent pas l'exclusion ou la limitation des dommages fortuits ou indirects de sorte que ces limitations et exclusions peuvent ne pas être applicables dans votre cas. Cette garantie vous confère des droits juridiques spécifiques et vous pouvez également jouir d'autres droits qui peuvent varier d'une juridiction à l'autre.