

Installation Instructions

Dishwasher models produced from 1970 to current

WD26X10013 Universal Motor/Pump Mechanism Kit



**DISCONNECT POWER TO THE
DISHWASHER BEFORE BEGINNING
KIT INSTALLATION**

*Beginning in August 2000,
GE is replacing 30 years of
Shaded Pole motors with the new
QuietPower™ Induction Motor.*

Before you start...

- Read these instructions completely and carefully for correct removal and installation of the motor/pump mechanism.
- You must identify the motor/pump mechanism that is installed in the dishwasher.

The Motor/Pump Mechanisms are:

1. Plastic Tub (current) Diagram A or B.
 2. Plastic Tub (old mechanism hanger tub liner) **Diagram C.**
 3. Plastic Tub (old induction motor) **Diagram D.**
 4. Steel Tub, blue or green (SD, SM, SF, SC) **Diagram F.**
 5. Porcelain Tub **Diagram G.**
 6. Plastic Tub **Diagram E.**
 7. Plastic Tub **Diagram E.**
- Each model requires different removal and installation procedures. Therefore, you must use the removal and installation instructions specific to that model.
 - Use the instructions included with the adapter kit for connecting the drain hose.

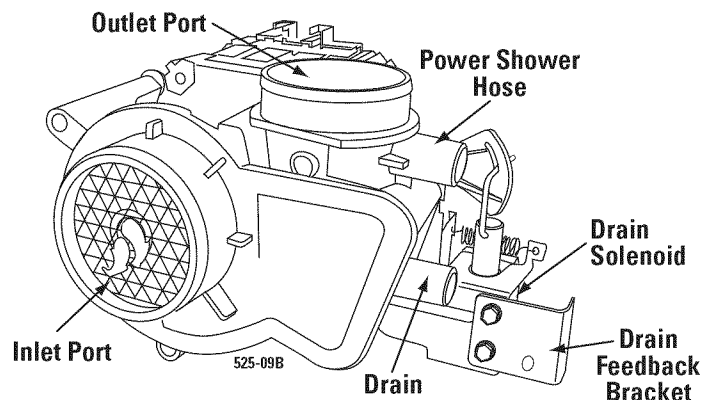
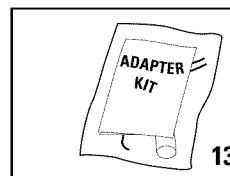
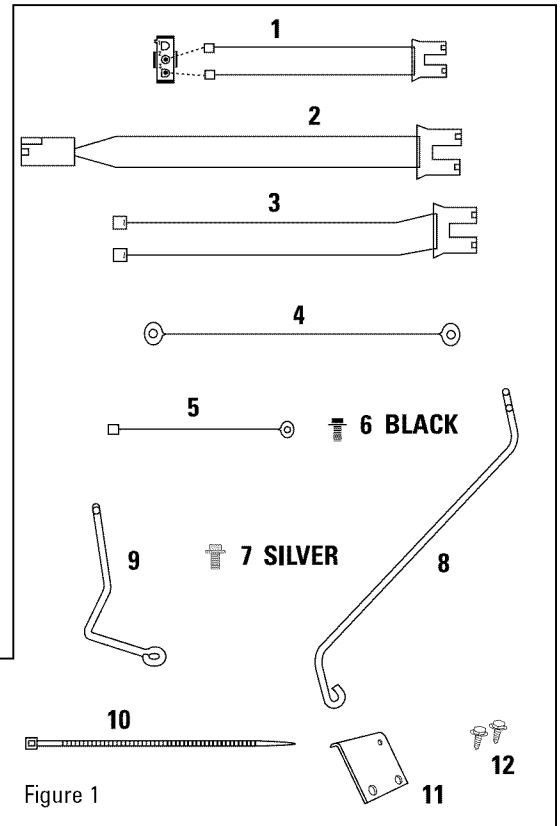
Note: To install a new motor on models with an Electronic Drain Feedback Switch (EDFS).

The new adapter bracket (11) must be installed. This bracket is included in the kit.

- Attach the adapter bracket (11) to the solenoid with the 2 screws (12) provided in the kit.
- Attach EDFS to the adapter bracket (11) with original screw or screw provided.

Parts Included in Kit:

1. Power Connector
2. Power Connector
3. Power Connector
4. Ground Lead
5. Ground Lead
6. Ground Screw
7. Hanger Screw
8. Hanger
9. Hanger
10. Plastic Tie
11. Drain Feedback Bracket
12. Drain Feedback Bracket Screws
13. Adapter Kit with Instructions
14. Motor/Pump Mechanism
15. Kit Instructions



Bottom View

Motor/Pump Mechanism with Electronic Feedback Switch

DIAGRAM A

New Parts Required (Refer to Figure 1)

Hanger	(8)
Hanger Screw	(7)
Ground Screw	(6)
Plastic Tie	(10)

Direct Replacement – Before and After Kit Installation

To Remove Motor/Pump Mechanism:

1. Disconnect power connectors to motor and drain solenoid.
2. Remove ground screw.
3. Remove mechanism hanger screw and hanger.
4. Remove drain hose.
5. If equipped, remove power shower hose.
6. Loosen clamps to pump inlet and outlet ports.
7. Remove motor/pump mechanism.

To Install Motor/Pump Mechanism:

1. Install motor/pump mechanism into inlet and outlet port. Tighten two clamps.
2. Install drain hose (see adapter kit instructions).
3. If equipped, install power shower hose.
Note: remove rubber cap and clamp on motor/pump mechanism.
4. Install hanger (8) and hanger screw (7) as shown.
5. Install ground lead with ground screw (6).
6. Connect drain solenoid, install plastic tie (10).
7. Install power connector.

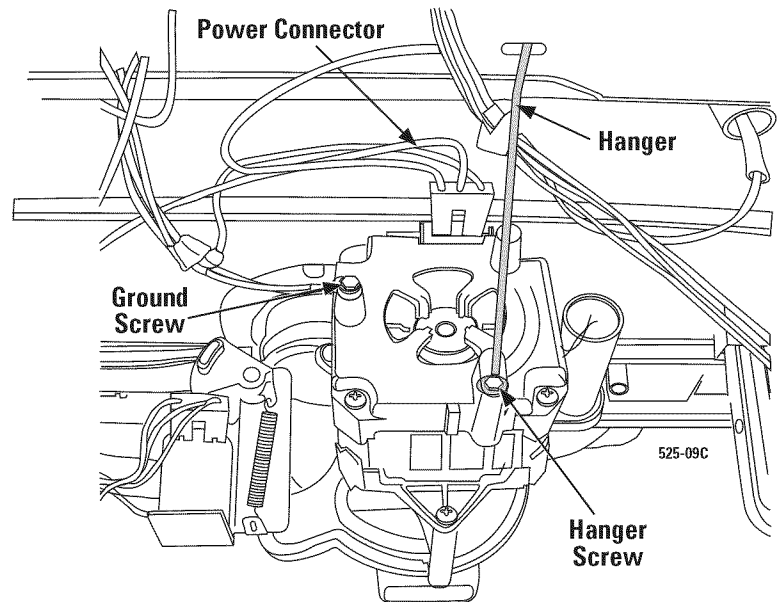


DIAGRAM B

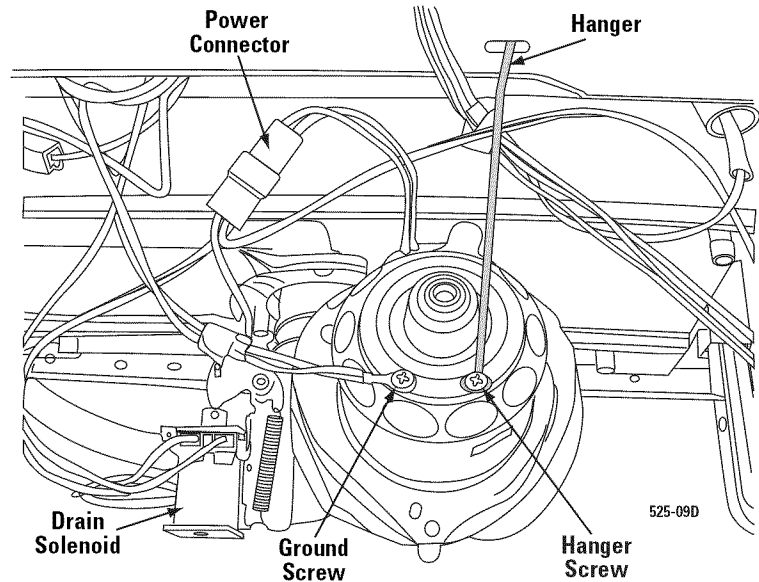
New Parts Required (Refer to Figure 1)

Hanger	(8)
Hanger Screw	(7)
Ground Screw	(6)
Power Connector	(2)
Plastic Tie	(10)

Before Kit Installation

To Remove Motor/Pump Mechanism:

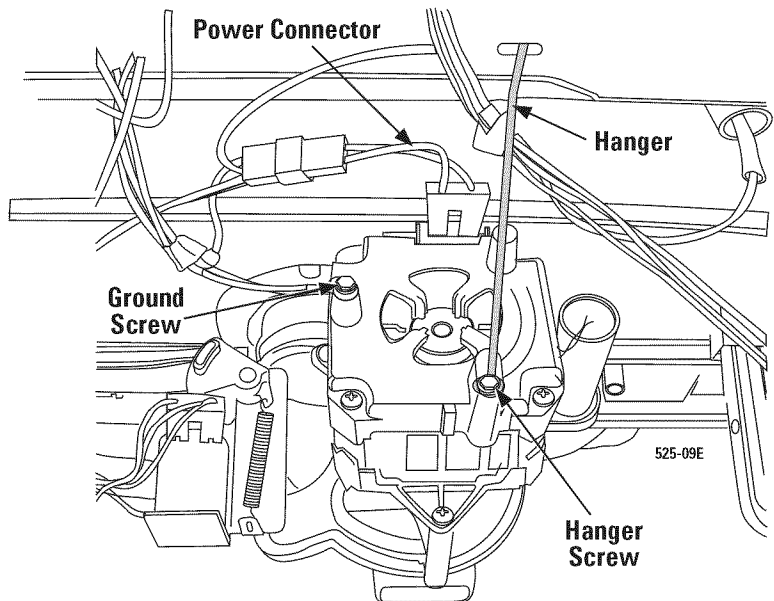
1. Disconnect power connectors to motor and drain solenoid.
2. Remove ground screw.
3. Remove mechanism hanger screw and hanger.
4. Remove drain hose.
5. If equipped, remove power shower hose.
6. Loosen clamps to pump inlet and outlet ports.
7. Remove motor/pump mechanism.



After Kit Installation

To Install Motor/Pump Mechanism:

1. Install motor/pump mechanism into inlet and outlet port. Tighten two clamps.
2. Install drain hose (see adapter kit instructions).
3. If equipped, install power shower hose. Note: remove rubber cap and clamp on motor/pump mechanism.
4. Install hanger (8) and hanger screw (7) as shown.
5. Install ground lead with ground screw (6).
6. Connect drain solenoid, install plastic tie (10).
7. Install power connector (2) between harness and motor/pump mechanism.



DIAGRAM

C

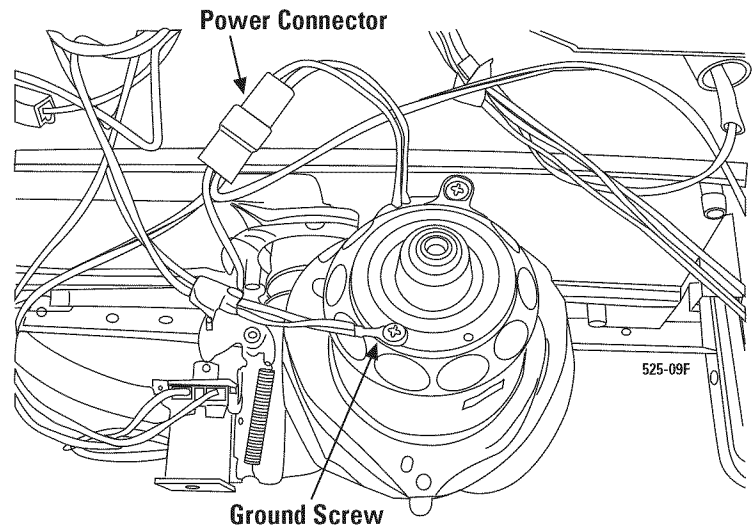
New Parts Required (Refer to Figure 1)

Hanger	(9)
Hanger Screw	(7)
Ground Screw	(6)
Power Connector	(2)

Before Kit Installation

To Remove Motor/Pump Mechanism:

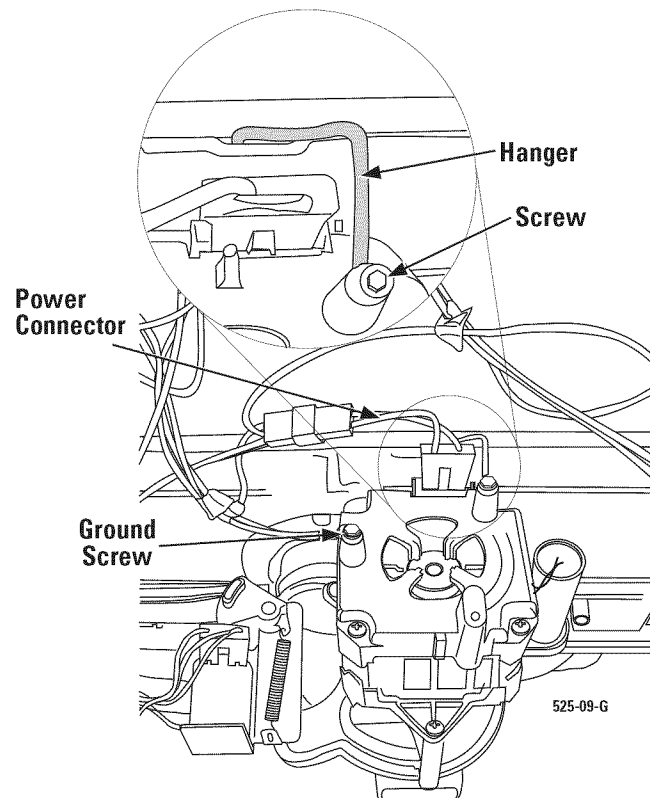
1. Disconnect power connectors to motor and drain solenoid.
2. Remove ground screw.
3. Remove mechanism hanger screw and hanger.
4. Remove drain hose.
5. If equipped, remove power shower hose.
6. Loosen clamps to pump inlet and outlet ports.
7. Remove motor/pump mechanism.



After Kit Installation

To Install Motor/Pump Mechanism:

1. Install motor/pump mechanism into inlet and outlet port. Tighten two clamps.
2. Install drain hose (see adapter kit instructions).
3. If equipped, install power shower hose. Note: remove rubber cap and clamp on motor/pump mechanism.
4. Install hanger (9) and hanger screw (7) as shown.
5. Install ground lead with ground screw (6).
6. Connect drain solenoid.
7. Install power connector (2) between harness and motor/pump mechanism.



DIAGRAM

D

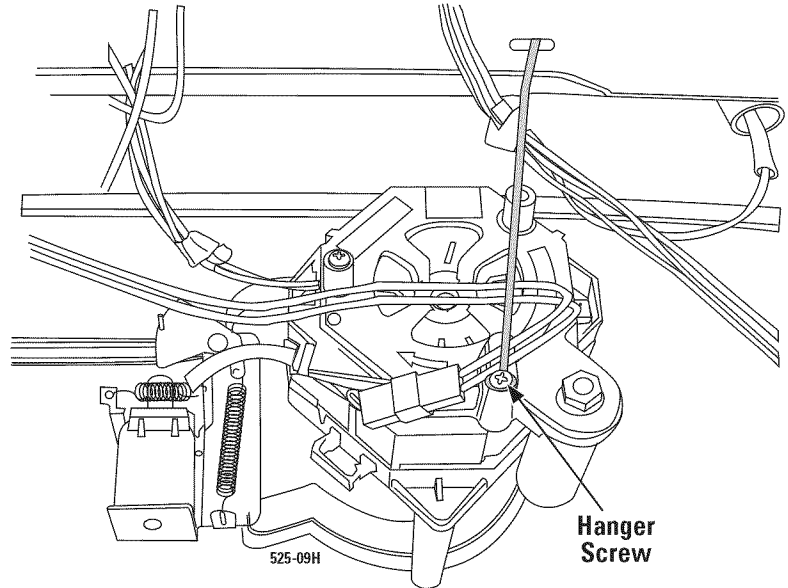
New Parts Required (Refer to Figure 1)

Hanger	(8)
Hanger Screw	(7)
Ground Screw	(6)
Power Connector	(1)
Ground Lead	(5)

Before Kit Installation

To Remove Motor/Pump Mechanism:

1. Disconnect power connectors to motor and drain solenoid.
2. Remove ground screw.
3. Remove mechanism hanger screw and hanger.
4. Remove drain hose.
5. If equipped, remove power shower hose.
6. Loosen clamps to pump inlet and outlet ports.
7. Remove motor/pump mechanism.



After Kit Installation

To Install Motor/Pump Mechanism:

1. Install motor/pump mechanism into inlet and outlet port. Tighten two clamps.
2. Install drain hose (see adapter kit instructions).
3. If equipped, install power shower hose. Note: remove rubber cap and clamp on motor/pump mechanism.
4. Install hanger (8) and hanger screw (7) as shown.
5. Install ground lead (5) with ground screw (6).
6. Connect drain solenoid.
7. Install power connector (1) between harness and motor/pump mechanism.

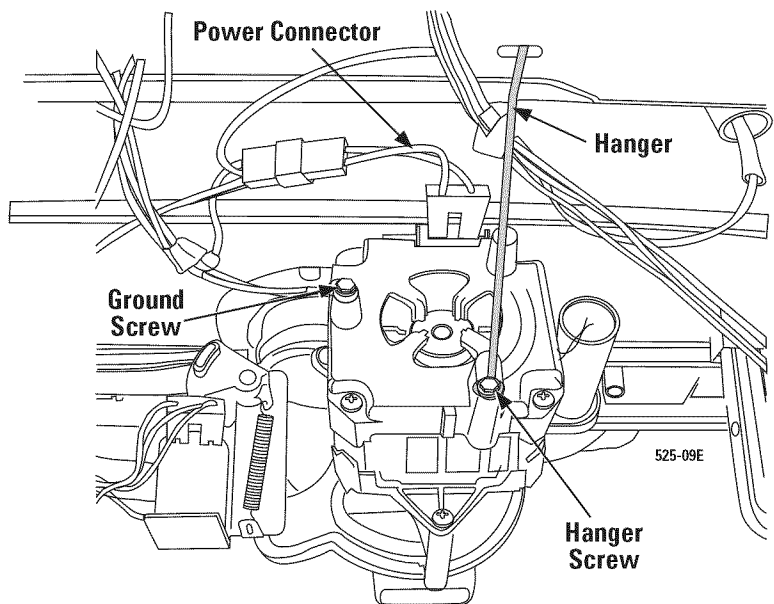


DIAGRAM E

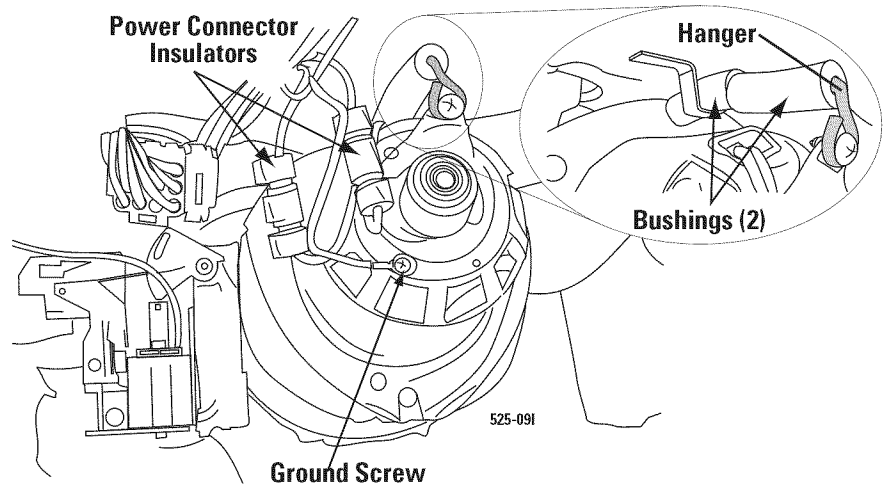
New Parts Required (Refer to Figure 1)

Hanger	(9)
Hanger Screw	(7)
Ground Screw	(6)
Power Connector	(3)
Ground Lead	(4)

Before Kit Installation

To Remove Motor/Pump Mechanism:

1. Remove power connector insulators (save, will reuse).
2. Disconnect male/female terminals.
3. Unplug leads to drain solenoid.
4. Remove ground screw and lead.
5. Remove bracket and hanger from bracket located on tub bottom.
6. Remove two rubber bushings from hanger (save, will reuse one).
7. Remove drain hose.
8. If equipped, remove power shower hose.
9. Loosen clamps to pump inlet and outlet ports.
10. Remove motor/pump mechanism.



After Kit Installation

To Install Motor/Pump Mechanism:

1. Install motor/pump mechanism into inlet and outlet ports. Tighten two clamps.
2. Install drain hose (see adapter kit instructions).
3. If equipped install power shower hose.
Note: Remove rubber cap and clamp on motor/pump mechanism.
4. Install one rubber bushing on hanger (9).
5. Install hanger (9) and hanger screw (7) as shown.
6. Install ground lead (4) with ground screw (6).
7. Install power connector (3) between harness and motor/pump mechanism.
8. Install insulators over male/female terminals.

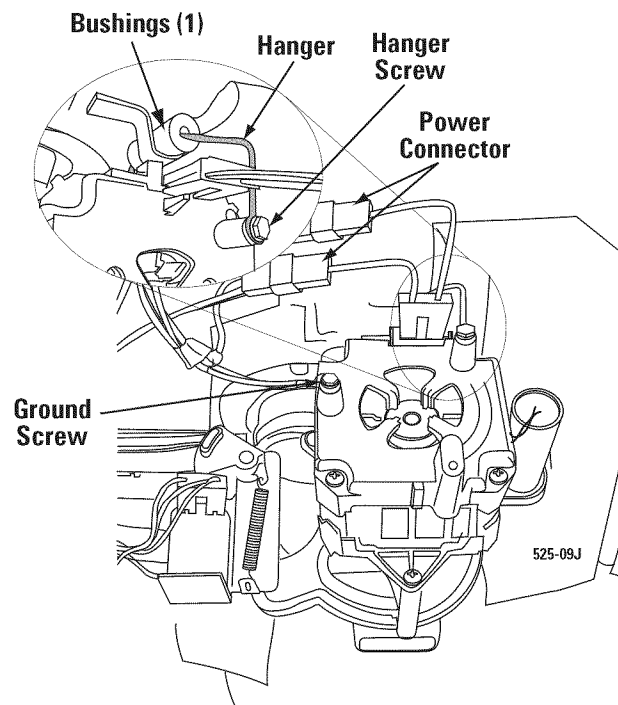


DIAGRAM F

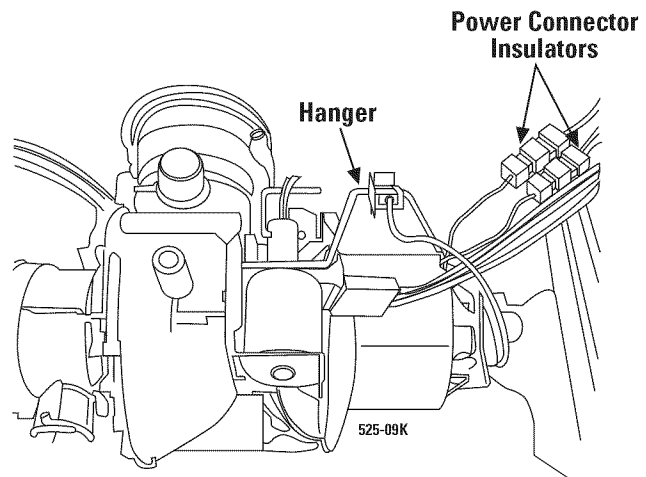
New Parts Require (Refer to Figure 1)

Hanger	(9)
Hanger Screw	(7)
Plastic Tie	(10)
Power Connector	(3)
Ground Screw	(6)
Ground Lead	(4)

Before Kit Installation

To Remove Motor/Pump Mechanism:

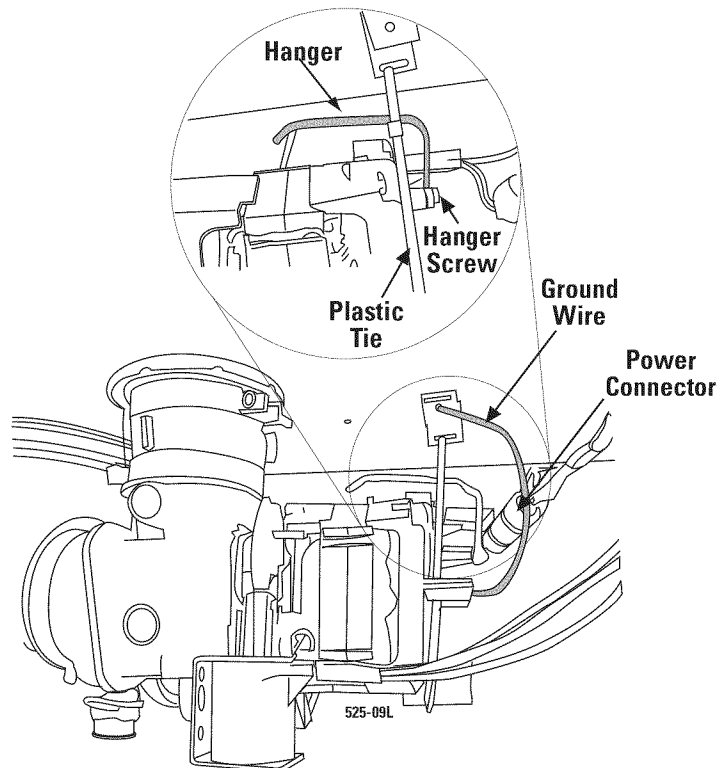
1. Remove power connector insulators (save, will reuse).
2. Disconnect male/female terminals.
3. Unplug leads to drain solenoid.
4. Remove ground screws and lead.
5. Remove bracket and hanger from bracket located on tub bottom.
6. Remove drain hose.
7. If equipped, remove power shower hose.
8. Loosen clamps to pump inlet and outlet ports.
9. Remove motor/pump mechanism.



After Kit Installation

To Install Motor/Pump Mechanism:

1. Install hanger (9) and hanger screw (7) as shown.
2. Install ground lead (4) using screw from tub bracket and screw from kit.
3. Install power connector (3) to motor, connect blue lead to blue lead on dishwasher harness and white/red to white/red.
4. Install motor/pump mechanism into inlet and outlet port. Tighten two clamps.
5. If equipped, install power shower hose. Note: remove rubber cap and clamp on motor/pump mechanism.
6. Install plastic tie (10) through bracket located on tub bottom and around hanger (9) on motor, tighten plastic tie.
7. Install drain hose (see adapter kit instructions).
8. Install insulators (reverse procedure from removal instructions).



DIAGRAM

G

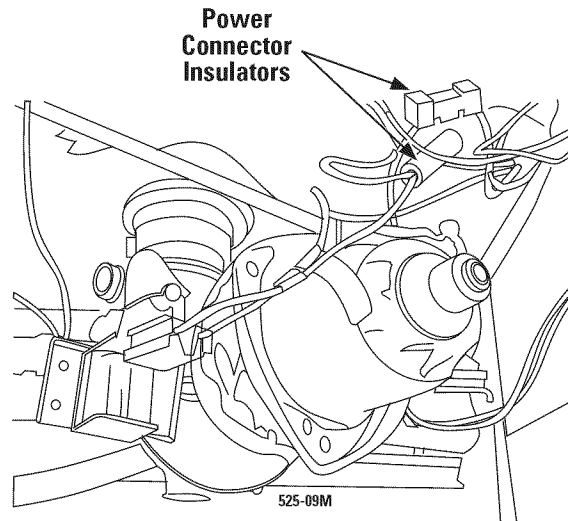
New Parts Required (Refer to Figure 1)

Hanger	(9)
Hanger Screw	(7)
Ground Screw	(6)
Power Connector	(3)
Plastic Tie	(10)

Before Kit Installation

To Remove Motor/Pump Mechanism:

1. Remove power connector insulators (save, will reuse).
2. Disconnect male/female terminals.
3. Unplug leads to drain solenoid.
4. Remove ground screw and lead.
5. Remove bracket and hanger from bracket located on tub bottom.
6. Remove drain hose.
7. If equipped, remove power shower hose.
8. Loosen clamps to pump inlet and outlet ports.
9. Remove motor/pump mechanism.



After Kit Installation

To Install Motor/Pump Mechanism:

1. Install motor/pump mechanism into inlet and outlet ports. Tighten two clamps.
2. Install drain hose (see adapter kit instructions).
3. If equipped, install power shower hose. Note: Remove rubber cap and clamp on motor/pump mechanism.
4. Install hanger (9) and hanger screw (7) as shown.
5. Install plastic tie (10) between hanger (9) and metal bracket on dishwasher.
6. Install ground lead with new screw (6).
7. Install power connector (3) between harness and motor/pump mechanism.
8. Install insulators over male/female terminals.

