

GE Appliances

Installation Instructions

Bottom Freezer - Dispenser Door Replacement Kit

WR02X25031

Kit Parts List:

- Tank & Valve Tray
- Ice Box Door Assembly
- Cold Water Tank
- Hot Water Tank Inlet Tube
- 6 - 1/4" hex head screws
- 2 - Ice Port Gasket Collars
- Tank & Valve cover
- Bottom Left Door Bin
- Decal - Door Modification Notice

⚠ WARNING  Electrical Shock Hazard

Failure to adhere to this important safety notice can result in serious injury or death.

- Repairs must be performed by a qualified Service Professional.
- Disconnect power before servicing this product.
- Reconnect all grounding devices after service.
- Replace all parts and panels before operating.

GE & Profile - Removal of Exterior Parts

1. Disconnect power from appliance.
2. Pull refrigerator out from wall.
3. Place a towel on floor to absorb water.
4. Disconnect water line from rear of refrigerator at quick connector, leaving connector on tube from isolation valve. (*in machine compartment*)
5. Remove dispenser tray at the bottom of the recess.
6. Remove tray guard (*above tray if present*) by removing 1/4" screw from underside.
7. Remove User Interface and disconnect connectors.
8. Disengage cold tube from ice chute.
9. Ice chute removal:
 - a. Older models flex retaining tabs and pull ice chute forward.
 - b. Newer models have 2 -1/4" screws holding the ice chute.
10. Disconnect duct door motor connector.
11. Note location and position of duct door spring and motor then pull duct door motor forward with 2 fingers then slide to right to disengage it from recess.
12. Flex either tab at top of dispenser paddle to release it at top, then lift up to remove.
13. With a 1/8 in. hex key loosen 2 handle screws to remove handle.
14. Remove 2 - T30 (3/16" hex) handle fasteners from LH door. **NOTE:** *Profile models have a washer under the bottom fastener.*



GE Appliances
Louisville, KY 40225
GEAppliances.com

Disconnect power before performing the following service procedure.

Café - Removal of Exterior Parts

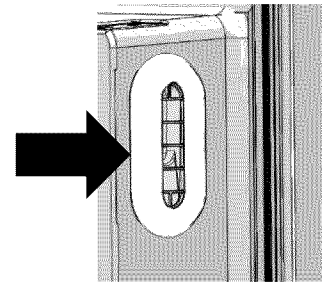
1. Disconnect power from appliance.
2. Pull refrigerator out from wall
3. Place a towel on floor to absorb water.
4. Disconnect water line from rear of refrigerator at quick connector, leaving connector on tube from isolation valve. *(in machine compartment)*
5. Remove dispenser tray at the bottom of the recess.
6. Remove tray guard by removing 1/4" from underside.
7. Remove top trim from User Interface by pulling up and out on the top starting at the left side. *(Sometimes a fair amount of force may be necessary)*
8. If the hot water knob or ring snap out of place push it back in.
9. Remove 4 - 1/4" screws from recess housing, pull forward then disconnect the 2 connectors on left.
10. Disengage both cold and hot water tubes from ice chute.
11. Ice chute removal:
 - a. Older models flex retaining tabs and pull ice chute forward.
 - b. Newer models have 2 - 1/4" screws holding the ice chute and retainer.
12. Disconnect duct door motor connector.
13. Note location and position of duct door spring and motor then pull duct door motor forward with 2 fingers then slide to right to disengage it from recess.
14. Flex either tab at top of dispenser paddle to release it at top, then lift up to remove.
15. Remove the water filter access door on right edge of door. *(not on all models)*
16. With a 1/8 in. hex key loosen 2 handle screws to remove handle.
17. Remove 2 - T30 (3/16" hex) handle fasteners from LH door.

Top of the Door *(all)*

1. Remove ¼ in. screws from hinge cover and roll it back to expose top hinge, electrical connectors and inlet water line to door. On newer models with 3 piece hinge cover only remove left hinge cover.
2. Disconnect ¼ in. ground screw from top hinge.
3. Disconnect ¼ in. screw from tubing spring clamp noting clamp's orientation.
4. Pull water line out of conduit that runs to rear of refrigerator. Cut cable tie around harness and inlet water tube.
5. Remove spring and clamp.
6. Disconnect AC and DC door harness connectors.
7. Remove 3 - T15 screws securing door board assembly.
8. Lift up assembly to disengage door board from door.
9. Disconnect all electrical connectors from door board

Ice Box Disassembly (all)

1. Remove storage bins from inside of LH door. *(bottom bin will not be reused)*
2. Remove ice bucket from ice box and discard ice.
3. Close and latch ice box door.
4. Remove 2 – T15 screws from ice box top hinge, unlatch door and lift up to remove ice box door and discard door. Keep one of the screws for reassembly. *(Lower ice box door hinge remains and will not be used on the new door.)*
5. Remove the screw holding electrical cover and pull forward then pull thermistor from inside of cover if thermistor is still attached.
6. Disconnect electrical connectors for icemaker and auger motor.
7. Remove 5/16 in. screw at bottom of icemaker. On earlier models there is also a 5/16 in. screw to the right. Now pick up on icemaker to release it from rear tabs.
8. Remove the 2 – 5/16 in. screws holding the auger motor and pull forward.
9. Use a putty knife to push in on long edge of ice port gaskets to remove them.



10. Remove the retainers from inside rubber gaskets and discard retainers. Gaskets will be reused.

Removing the Water Valve and Tanks (all)

1. Place a towel on floor to absorb water as you disconnect the water lines.
2. Remove 3 – T20 screws holding valve and tank cover starting at bottom to prevent dropping cover on floor when the last screw is removed. Discard cover.
3. Disconnect water valve electrical connections at right of the compartment.
4. Remove clip on water valve connector to cold water tank inlet then release tube and reinstall clip on valve.
5. Remove clip on the water valve connector to icemaker fill tube then release tube and reinstall clip onto valve.
6. Remove clip on the flow meter or *(water valve on some models)* and release water inlet tube then reinstall clip onto valve.
7. Disconnect cold water tank outlet tube from cold water tube connector
8. Remove 1/4" screw in center of tank to remove it. NOTE: The tank will be full of water if refrigerator was used. Drain and discard tank. *(This screw will be used to install wiring cover for auger motor and icemaker)*
9. Remove the 2 – 1/4". screws to remove the water valve.

Café Hot Water Tank Removal

1. Disconnect hot water tank electrical connections at right of the compartment.
 2. Use 2 small screw drivers to push down on connector collet to release hot water tank from hot water outlet tube.
 3. To complete removal of hot water tank, remove clip from hot water outlet on water valve, then release tube by pushing up on collet.
 4. Remove hot water tank inlet tube and discard.
 5. Reinstall clips on valve so as not to lose it. Water lines can be installed with clips in place.
- NOTE:** Hold onto tank so as not to drop it. The tank will be full of water if refrigerator was used.

Door Removal *(all)*

1. Remove 3 – 3/8 in. bolts holding the top hinge.
2. Remove top hinge from the door
3. Open door to 90° and lift up on door to release it from lower hinge mounted to case.
4. Lay door on a flat protected surface.

Final Disassembly *(all)*

1. Remove 2 – T15 screws from electrical connector cover of articulating mullion to expose electrical connector disconnect.
2. Slide mullion toward top of door to remove it.
3. Remove door gasket by pulling dart of gasket out of groove in door.
4. Remove 2 – T20 screws to remove door stop.
5. Remove 1/4" screw to remove door closure mechanism.

Installation

Door prep *(all)*

1. Install door closure mechanism and door stop.
2. Install door gasket with small flaps to the handle side of door.
3. Align articulating mullion with top and bottom tabs and slide it toward the bottom of the door.
4. Reconnect articulating mullion connector place cover into position and install 2 – T15 screws.

Mounting Door On The Case *(all)*

1. Hold door 90° to cabinet to align bottom hinge with door closure and allow door to drop down on hinge pin.
2. Put 2 wire bundles in slot in top hinge align door so 2 locating pins engage small holes in hinge then start 3 – 3/8 in. hex bolts. Note: Always start these 3 bolts by hand to prevent stripping of threads then use a driver or socket wrench to run in the bolts
3. Tighten properly with a 3/8" socket wrench.

Top of the door *(all)*

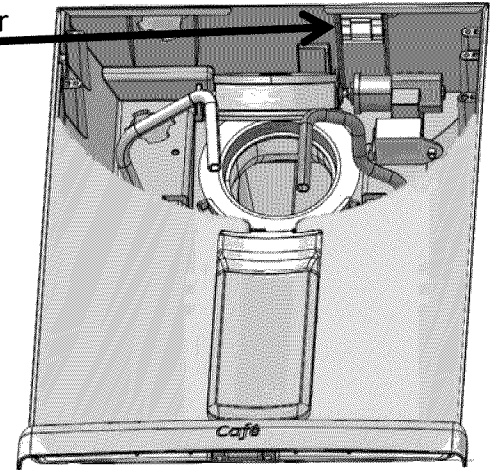
1. Reconnect all of electrical connectors to door board assembly starting at right end.
2. Seat board into position and install 3 – T15 screws.
3. Put spring and strain relief clamp on fill tube then insert tube into conduit to the rear of refrigerator.
4. Position strain relief clamp so tubing will be routed to right of the screw.
5. Install 1/4" screw to top hinge screw hole closest to front.
6. Reinstall door ground wire to rear screw hole of top hinge.
7. Reconnect both AC and DC harness connectors to connectors on hinge cover.
8. Use cable tie around both harnesses and water line spring to route properly.
9. Roll hinge cover over hinges into position or install left hinge cover. *Watch wiring harness and connectors making sure they stay in their proper place. Make sure there no wires at any of screw holes to prevent driving a screw through them causing a short.*
10. Install 1/4" screws securing the hinge cover to the top.

New Ice box door Installation *(all)*

1. Install auger motor with 2 – 5/16 inch screws
2. Hang icemaker on the 2 tabs in ice box and install 5/16 inch screw at the bottom of mold.
3. Connect electrical connector to icemaker and auger motor. Make sure ice box thermistor is pulled out of junction box
4. Place ice box thermistor in molded mount in cover or mount in door liner, place cover over wiring connectors and install screw that was removed from original cold water tank. *(2" white screw with 1/4" head)*
5. Set new ice box door on pre-molded bottom hinge, latch door and attach top hinge with 1 – T15 screw
6. Reinstall ice auger bucket.
7. Install 2 new ice port gasket retainers into the 2 ice port gaskets then install gaskets.

Café User Interface and Handles

1. Put the 2 tabs on bottom of the dispenser paddle into 2 holes in recess.
2. Snap 2 top tabs of paddle into place keeping wires to left.
3. Position spring on duct door then put left of shaft into hole in recess.
4. Slide motor back into mounting bracket route wires under clip at top of the recess.

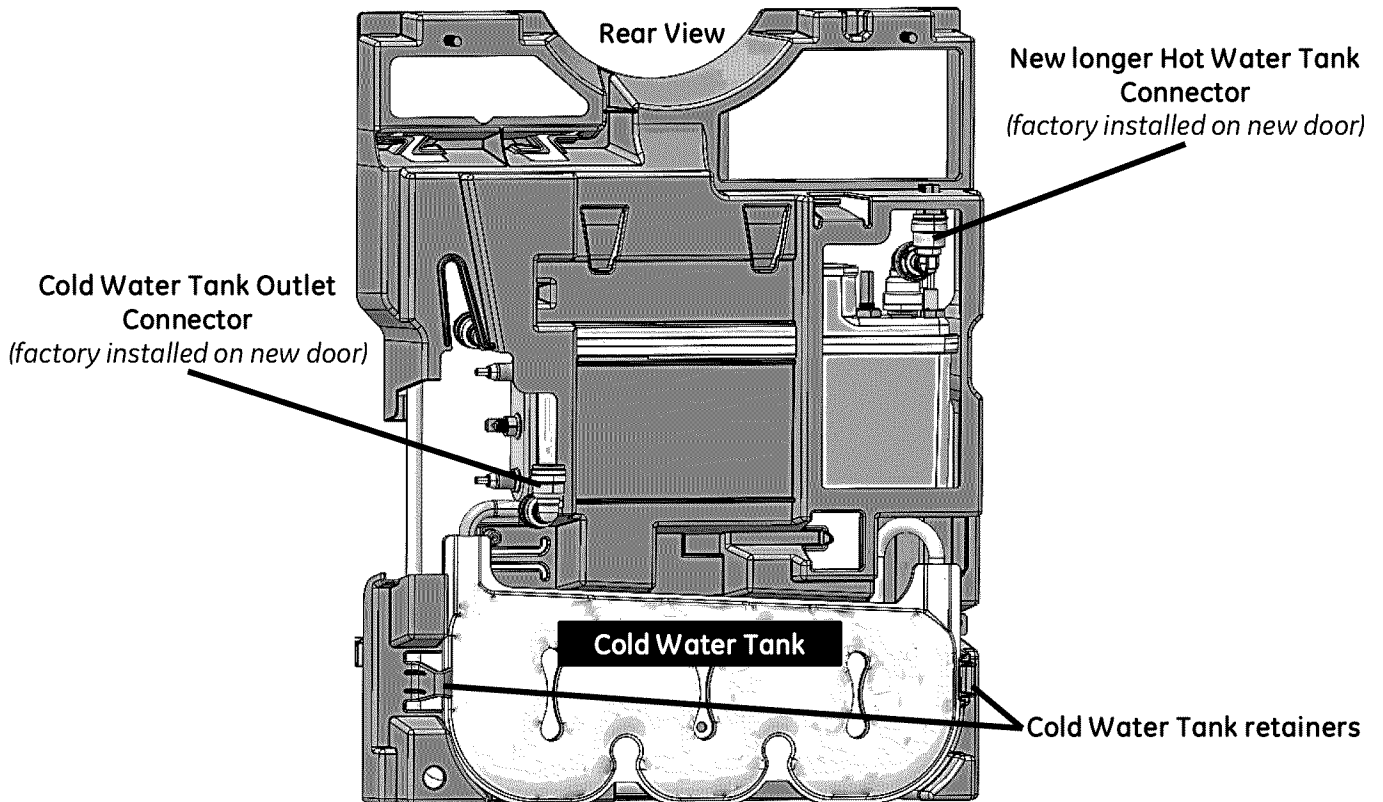
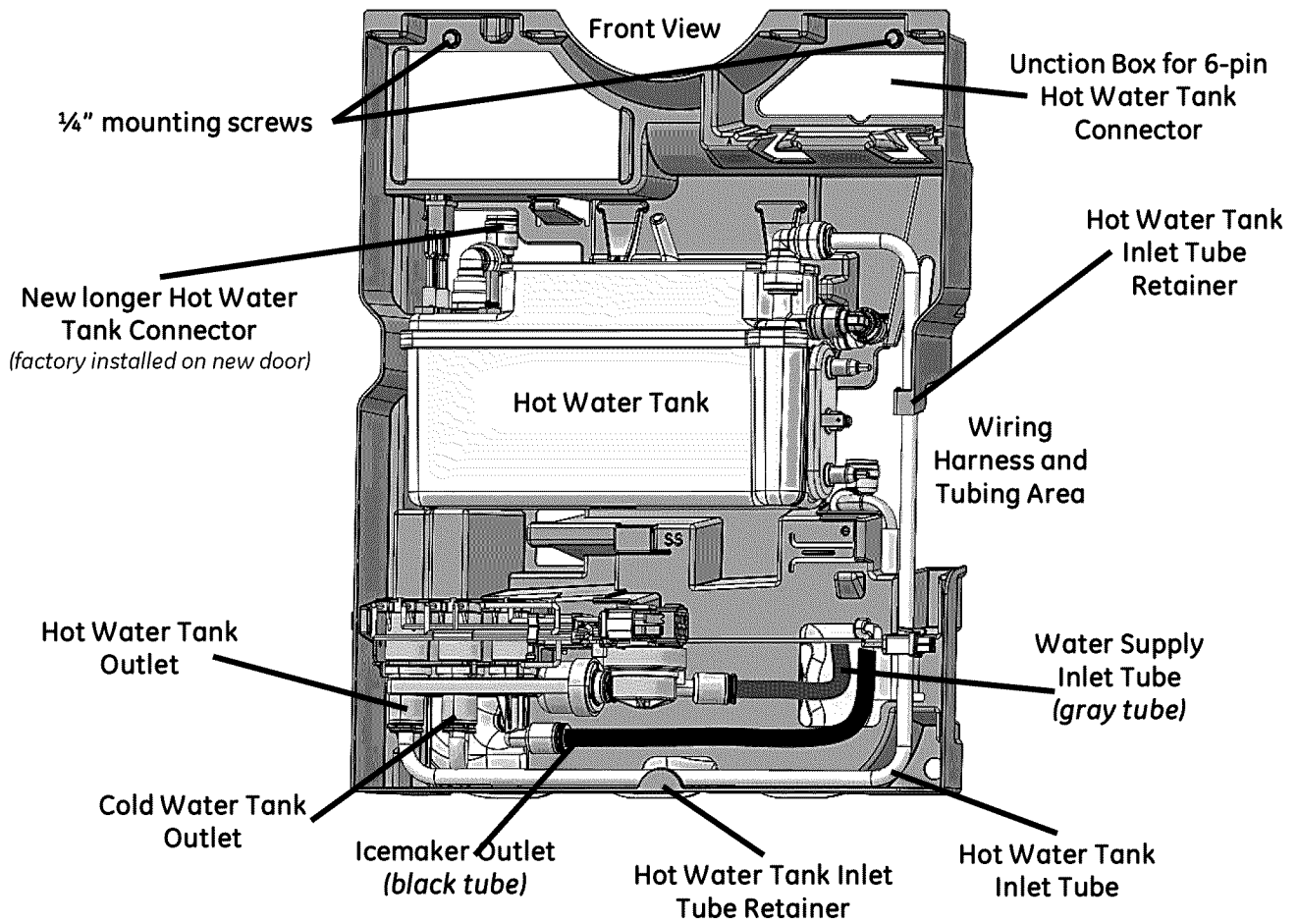


5. Install ice chute then insert cold and hot water tubes into chute.
6. Using a safety knife cut the cold and hot water dispenser tubes to the proper length (*cut must be square and approximately 1/8" below the chute*).
7. Connect wiring harness from paddle switch and duct door motor to door harness connector, ensuring no wires are pinched or in the chute area.
8. Connect all connectors to User Interface board.
9. Position User Interface assembly into place, keeping wiring dressed so as not to leave wiring exposed below the assembly, then install 4 - 1/4" screws to secure the User Interface assembly.
Note: Keep the 2 Molex connectors to the auger motor and paddle switch to the left of the ice chute to allow User Interface assembly to seat properly.
10. Install User Interface trim by inserting all 4 bottom tabs into the housing and around the hot water knob then push in the top.
11. Install both (3/16" hex) top and bottom handle fasteners into door.
12. Place handle onto fasteners with 1/8" set screws to right then tighten both set screws.
13. Reinstall tray guard with 1/4" screw on underside.
14. Reinstall the recess tray to the bottom of recess.

GE & Profile Recess, User Interface and Handles

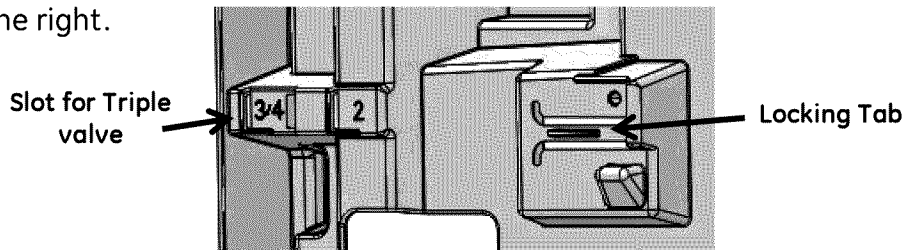
1. Put the 2 tabs on bottom of the dispenser paddle into 2 holes in recess.
2. Snap 2 top tabs of paddle into place keeping wires to left.
3. Position spring on duct door then put left side of shaft into hole in recess.
4. Slide motor back into mounting bracket route wires.
5. Install ice chute then insert cold and hot water tubes into chute.
6. Route Duct door motor harness in front of ice chute.
7. Using a safety knife cut the cold water dispenser tube to the proper length (*cut must be square and approximately 1/8" below the chute*).
8. Connect wiring harness from paddle switch and duct door motor to door harness connector, ensuring no wires are pinched or in the ice chute area.
9. Connect all connectors to User Interface board.
10. Position User Interface assembly into place, keeping wiring dressed so as not to leave wiring exposed below the assembly, then snap into place.
Note: Keep the 2 Molex connectors to the auger motor and paddle switch to the left of the ice chute to allow User Interface assembly to seat properly.
10. Install both T30 (3/16" hex) top and bottom handle fasteners into door. **NOTE: Profile models have a washer under the bottom fastener.**
11. Place handle onto fasteners with 1/8" set screws to right then tighten both set screws.
12. Reinstall tray guard (*if present*) with 1/4" screw on underside.
13. Reinstall the recess tray to the bottom of recess.

Café Tank & Valve Tray



Café Valve and Tank Installation

1. Tank & Valve tray has new cold water tank attached.
2. Connect cold water tank outlet tube to 90° quick connector already installed on door.
3. Move all of tubing and wiring harness to right to align with the slot in right side of tank tray, place tubes and wiring in slot as connected in the following steps.
4. Pull hot water tank 6-pin DC wiring harness from upper left junction box.
5. Using 2 supplied 1/4" screws mount Tank & Valve Tray to the door with holes at the top.
6. Connect the cold water tank inlet tube to center outlet on water valve.
7. Attach water valve to tray by using the slot on left then slide to right to lock in place with tab on the right.



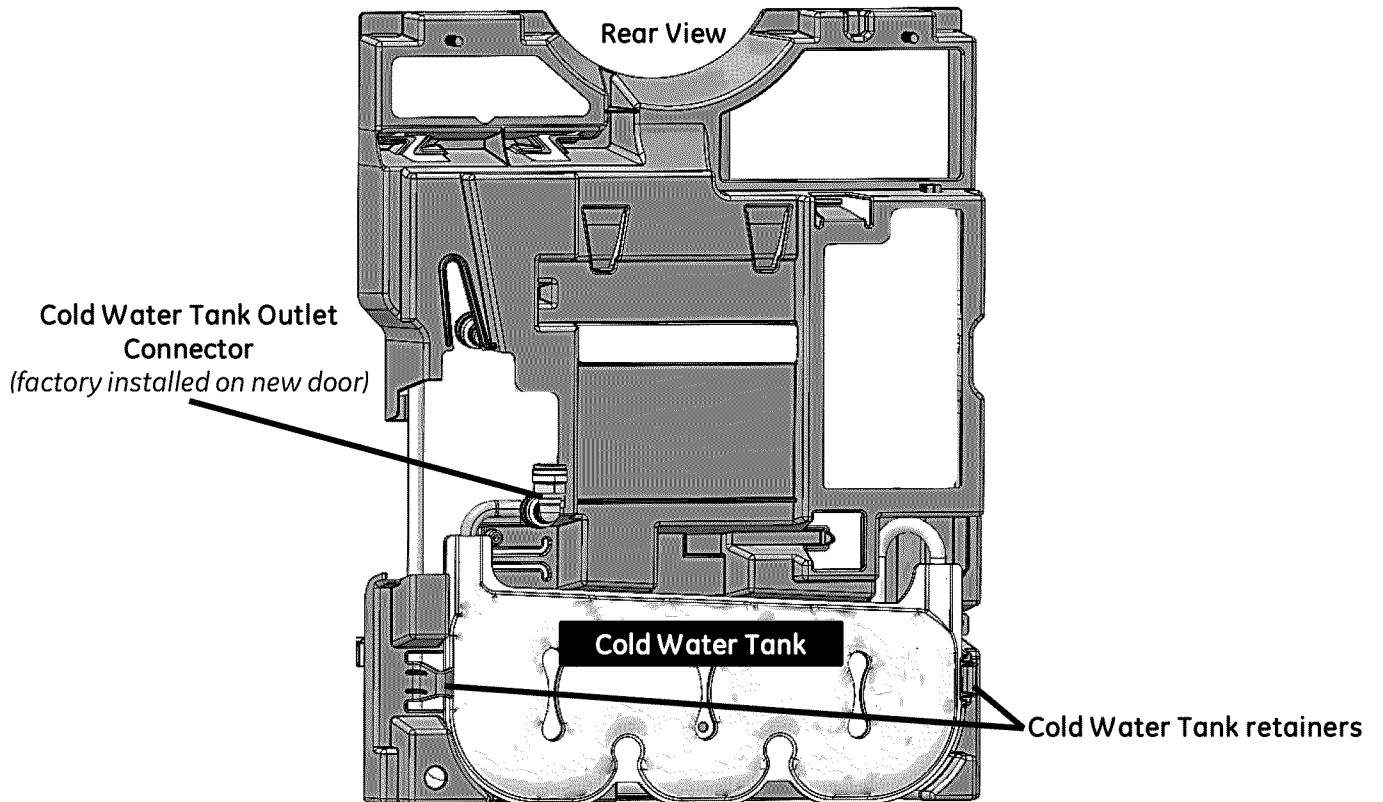
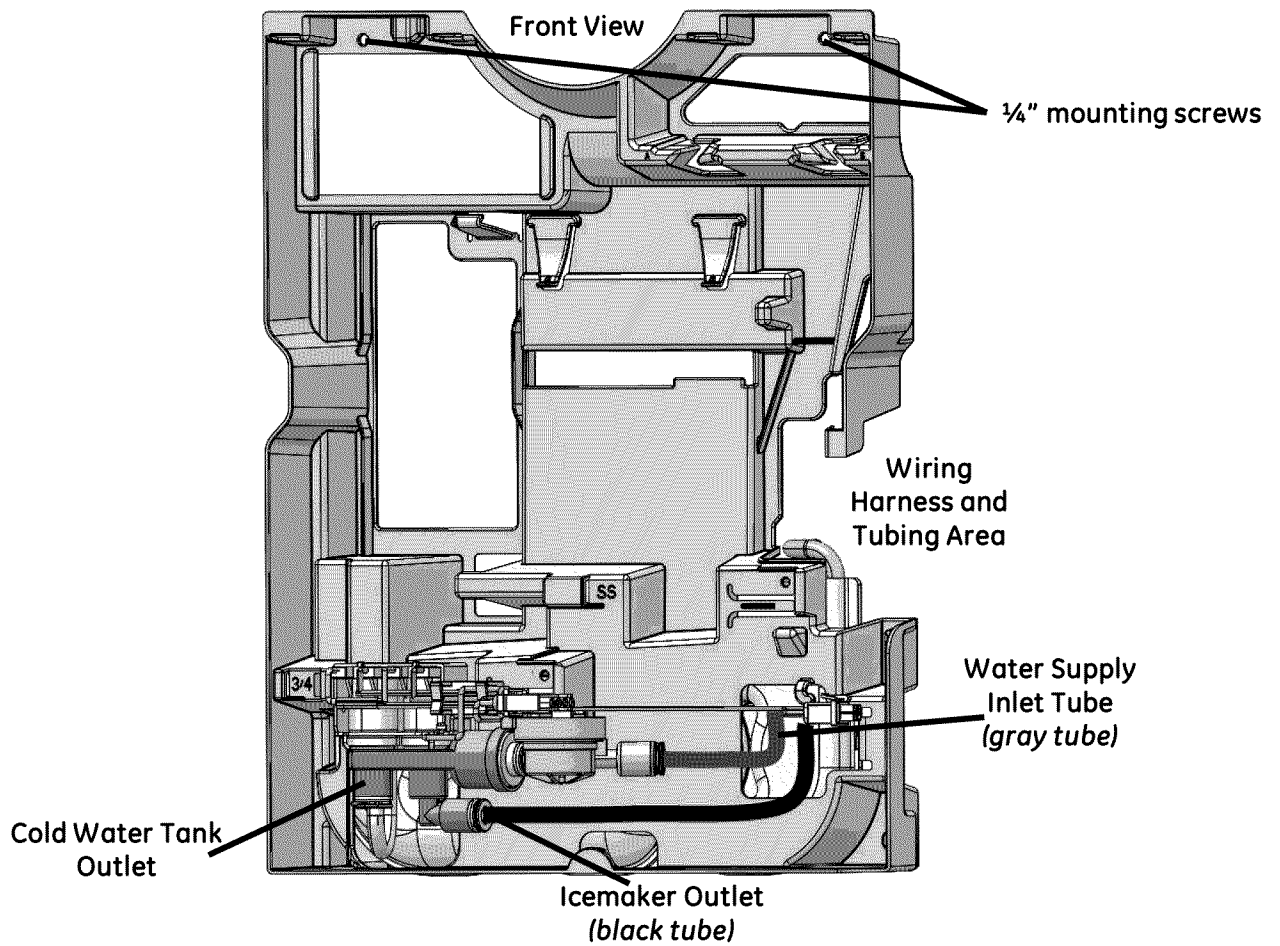
8. Disconnect male to female 90° quick connector on outlet of hot water tank and discard. (*do not reuse this connector, the one already installed is longer*)



9. Push quick connector on outlet of hot water tank onto male end of connector already installed on hot water tube in the door making sure it is fully seated.
10. Place hot water tank onto tray and press downward to clip in place.
11. Connect 6 pin DC harness and route connector into junction box at top right of tray.
12. Connect 3 pin AC harness and route it to right side of hot water tank.
13. Connect water valve connector to AC harness.
14. Connect flow meter harness to wiring harness.
15. Connect inlet water tube to water flow meter on right end of valve.
16. Connect IM fill tube to right angled outlet on water valve.
17. Dress all tubing and harnesses in opening on right side of Tank & Valve tray.
18. Install short end of new hot water inlet tube to leftmost outlet on water valve and other end to inlet of hot water tank.
19. Route same new hot water tube through 2 retaining clips in tray, one on bottom of tray below the water valve and one mid-high on right side of tray.

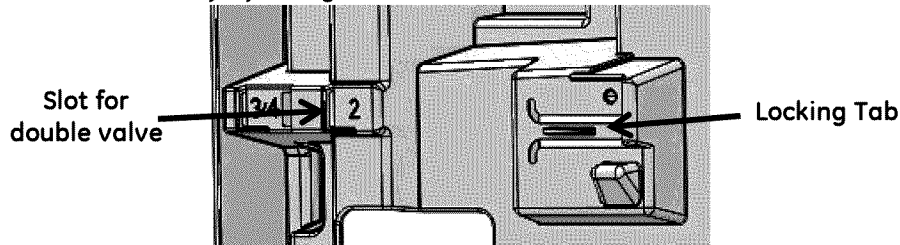
Go to Final Steps on pg. 11

GE Profile Tank & Valve Tray

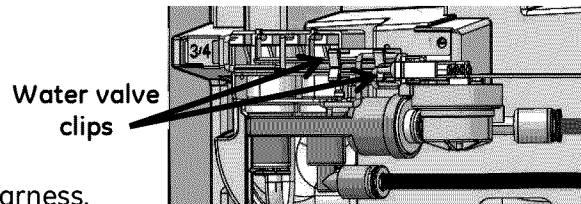


GE & Profile Valve and Tank Installation

1. Tank & Valve tray has new cold water tank attached.
2. Connect cold water tank outlet tube to 90° quick connector.
3. Move all of tubing and wiring harness to right to align with the slot in right side of tank tray, place tubes and wiring in slot as connected in the following steps.
4. Using 2 supplied 1/4" screws mount Tank & Valve Tray to the door with holes at the top.
5. Connect the cold water tank inlet tube to left port of water valve.
6. Attach water valve to tray by using the slot on left toward the center then slide to right to lock in place.



7. Remove wiring harness from white clip on water valve for full use of length of harness then connect.



8. Connect water valve connector to AC harness.
9. Connect flow meter harness to wiring harness if present. *(some models do not have flow meter)*
10. Connect water tube to water valve inlet or flow meter on right end of valve.
11. Connect IM fill tube to right angled outlet on water valve.
12. Dress all tubing and harness in slot on right side of Tank & Valve tray.

Final Steps (all)

1. Reconnect water line to quick connector on back of refrigerator
2. Reconnect power to refrigerator for the purposes of leak checking the Cold and Hot Water Connections. Disconnect power to the refrigerator before performing any further repairs to the water or electrical systems.
3. Fill cold water tank then dispense 6 large glasses of water and inspect for leaks.
4. Fill Hot water tank.
5. Operate the hot water feature at 185 degree or on Soup selection 3 times and inspect for leaks.
6. Install new water valve and tank cover by:
 - a. Put cover in place about 1/2" down and slide up.
 - b. This will insert 4 tabs on the top inside of cover into slots at the top of the tray.
 - c. Install 2 - 1/4" screws provided into bottom screw holes.
 - d. Install 2 - 1/4" screws provided into side recess holes to complete cover installation.
7. Reuse 2 upper door bin modules on ice box door.
8. Install new bottom left door bin on tank & valve cover. *(New bin appearance may be different than original)*
9. Reinstall filter
10. Reinstall filter door assembly.
11. Ensure doors are even at the top, if not, adjust as needed so they are even.
12. Place **Door Modification Notice** decal directly under the Model and Serial tag at the top right of ff interior.

GE Appliances


Installation Instructions

Bottom Freezer - Dispenser Door Replacement Kit

WR02X25031

Kit Parts List:

- Tank & Valve Tray
- Ice Box Door Assembly
- Cold Water Tank
- Hot Water Tank Inlet Tube
- 6 - 1/4" hex head screws
- 2 - Ice Port Gasket Collars
- Tank & Valve cover
- Bottom Left Door Bin
- Decal - Door Modification Notice

⚠ WARNING  Electrical Shock Hazard

Failure to adhere to this important safety notice can result in serious injury or death.

- Repairs must be performed by a qualified Service Professional.
- Disconnect power before servicing this product.
- Reconnect all grounding devices after service.
- Replace all parts and panels before operating.

GE & Profile - Removal of Exterior Parts

1. Disconnect power from appliance.
2. Pull refrigerator out from wall.
3. Place a towel on floor to absorb water.
4. Disconnect water line from rear of refrigerator at quick connector, leaving connector on tube from isolation valve. (*in machine compartment*)
5. Remove dispenser tray at the bottom of the recess.
6. Remove tray guard (*above tray if present*) by removing 1/4" screw from underside.
7. Remove User Interface and disconnect connectors.
8. Disengage cold tube from ice chute.
9. Ice chute removal:
 - a. Older models flex retaining tabs and pull ice chute forward.
 - b. Newer models have 2 -1/4" screws holding the ice chute.
10. Disconnect duct door motor connector.
11. Note location and position of duct door spring and motor then pull duct door motor forward with 2 fingers then slide to right to disengage it from recess.
12. Flex either tab at top of dispenser paddle to release it at top, then lift up to remove.
13. With a 1/8 in. hex key loosen 2 handle screws to remove handle.
14. Remove 2 - T30 (3/16" hex) handle fasteners from LH door. **NOTE:** *Profile models have a washer under the bottom fastener.*



GE Appliances
Louisville, KY 40225
GEAppliances.com

Disconnect power before performing the following service procedure.

Café - Removal of Exterior Parts

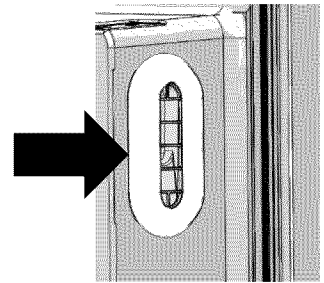
1. Disconnect power from appliance.
2. Pull refrigerator out from wall
3. Place a towel on floor to absorb water.
4. Disconnect water line from rear of refrigerator at quick connector, leaving connector on tube from isolation valve. *(in machine compartment)*
5. Remove dispenser tray at the bottom of the recess.
6. Remove tray guard by removing 1/4" from underside.
7. Remove top trim from User Interface by pulling up and out on the top starting at the left side. *(Sometimes a fair amount of force may be necessary)*
8. If the hot water knob or ring snap out of place push it back in.
9. Remove 4 - 1/4" screws from recess housing, pull forward then disconnect the 2 connectors on left.
10. Disengage both cold and hot water tubes from ice chute.
11. Ice chute removal:
 - a. Older models flex retaining tabs and pull ice chute forward.
 - b. Newer models have 2 - 1/4" screws holding the ice chute and retainer.
12. Disconnect duct door motor connector.
13. Note location and position of duct door spring and motor then pull duct door motor forward with 2 fingers then slide to right to disengage it from recess.
14. Flex either tab at top of dispenser paddle to release it at top, then lift up to remove.
15. Remove the water filter access door on right edge of door. *(not on all models)*
16. With a 1/8 in. hex key loosen 2 handle screws to remove handle.
17. Remove 2 - T30 (3/16" hex) handle fasteners from LH door.

Top of the Door *(all)*

1. Remove ¼ in. screws from hinge cover and roll it back to expose top hinge, electrical connectors and inlet water line to door. On newer models with 3 piece hinge cover only remove left hinge cover.
2. Disconnect ¼ in. ground screw from top hinge.
3. Disconnect ¼ in. screw from tubing spring clamp noting clamp's orientation.
4. Pull water line out of conduit that runs to rear of refrigerator. Cut cable tie around harness and inlet water tube.
5. Remove spring and clamp.
6. Disconnect AC and DC door harness connectors.
7. Remove 3 - T15 screws securing door board assembly.
8. Lift up assembly to disengage door board from door.
9. Disconnect all electrical connectors from door board

Ice Box Disassembly (all)

1. Remove storage bins from inside of LH door. *(bottom bin will not be reused)*
2. Remove ice bucket from ice box and discard ice.
3. Close and latch ice box door.
4. Remove 2 – T15 screws from ice box top hinge, unlatch door and lift up to remove ice box door and discard door. Keep one of the screws for reassembly. *(Lower ice box door hinge remains and will not be used on the new door.)*
5. Remove the screw holding electrical cover and pull forward then pull thermistor from inside of cover if thermistor is still attached.
6. Disconnect electrical connectors for icemaker and auger motor.
7. Remove 5/16 in. screw at bottom of icemaker. On earlier models there is also a 5/16 in. screw to the right. Now pick up on icemaker to release it from rear tabs.
8. Remove the 2 – 5/16 in. screws holding the auger motor and pull forward.
9. Use a putty knife to push in on long edge of ice port gaskets to remove them.



10. Remove the retainers from inside rubber gaskets and discard retainers. Gaskets will be reused.

Removing the Water Valve and Tanks (all)

1. Place a towel on floor to absorb water as you disconnect the water lines.
2. Remove 3 – T20 screws holding valve and tank cover starting at bottom to prevent dropping cover on floor when the last screw is removed. Discard cover.
3. Disconnect water valve electrical connections at right of the compartment.
4. Remove clip on water valve connector to cold water tank inlet then release tube and reinstall clip on valve.
5. Remove clip on the water valve connector to icemaker fill tube then release tube and reinstall clip onto valve.
6. Remove clip on the flow meter or *(water valve on some models)* and release water inlet tube then reinstall clip onto valve.
7. Disconnect cold water tank outlet tube from cold water tube connector
8. Remove 1/4" screw in center of tank to remove it. NOTE: The tank will be full of water if refrigerator was used. Drain and discard tank. *(This screw will be used to install wiring cover for auger motor and icemaker)*
9. Remove the 2 – 1/4". screws to remove the water valve.

Café Hot Water Tank Removal

1. Disconnect hot water tank electrical connections at right of the compartment.
 2. Use 2 small screw drivers to push down on connector collet to release hot water tank from hot water outlet tube.
 3. To complete removal of hot water tank, remove clip from hot water outlet on water valve, then release tube by pushing up on collet.
 4. Remove hot water tank inlet tube and discard.
 5. Reinstall clips on valve so as not to lose it. Water lines can be installed with clips in place.
- NOTE:** Hold onto tank so as not to drop it. The tank will be full of water if refrigerator was used.

Door Removal *(all)*

1. Remove 3 – 3/8 in. bolts holding the top hinge.
2. Remove top hinge from the door
3. Open door to 90° and lift up on door to release it from lower hinge mounted to case.
4. Lay door on a flat protected surface.

Final Disassembly *(all)*

1. Remove 2 – T15 screws from electrical connector cover of articulating mullion to expose electrical connector disconnect.
2. Slide mullion toward top of door to remove it.
3. Remove door gasket by pulling dart of gasket out of groove in door.
4. Remove 2 – T20 screws to remove door stop.
5. Remove 1/4" screw to remove door closure mechanism.

Installation

Door prep *(all)*

1. Install door closure mechanism and door stop.
2. Install door gasket with small flaps to the handle side of door.
3. Align articulating mullion with top and bottom tabs and slide it toward the bottom of the door.
4. Reconnect articulating mullion connector place cover into position and install 2 – T15 screws.

Mounting Door On The Case *(all)*

1. Hold door 90° to cabinet to align bottom hinge with door closure and allow door to drop down on hinge pin.
2. Put 2 wire bundles in slot in top hinge align door so 2 locating pins engage small holes in hinge then start 3 – 3/8 in. hex bolts. Note: Always start these 3 bolts by hand to prevent stripping of threads then use a driver or socket wrench to run in the bolts
3. Tighten properly with a 3/8" socket wrench.

Top of the door *(all)*

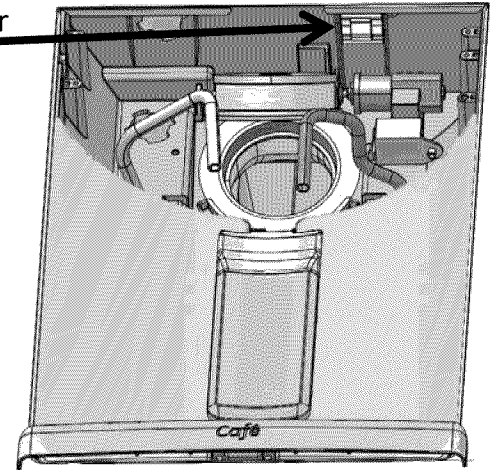
1. Reconnect all of electrical connectors to door board assembly starting at right end.
2. Seat board into position and install 3 – T15 screws.
3. Put spring and strain relief clamp on fill tube then insert tube into conduit to the rear of refrigerator.
4. Position strain relief clamp so tubing will be routed to right of the screw.
5. Install 1/4" screw to top hinge screw hole closest to front.
6. Reinstall door ground wire to rear screw hole of top hinge.
7. Reconnect both AC and DC harness connectors to connectors on hinge cover.
8. Use cable tie around both harnesses and water line spring to route properly.
9. Roll hinge cover over hinges into position or install left hinge cover. *Watch wiring harness and connectors making sure they stay in their proper place. Make sure there no wires at any of screw holes to prevent driving a screw through them causing a short.*
10. Install 1/4" screws securing the hinge cover to the top.

New Ice box door Installation *(all)*

1. Install auger motor with 2 – 5/16 inch screws
2. Hang icemaker on the 2 tabs in ice box and install 5/16 inch screw at the bottom of mold.
3. Connect electrical connector to icemaker and auger motor. Make sure ice box thermistor is pulled out of junction box
4. Place ice box thermistor in molded mount in cover or mount in door liner, place cover over wiring connectors and install screw that was removed from original cold water tank. *(2" white screw with 1/4" head)*
5. Set new ice box door on pre-molded bottom hinge, latch door and attach top hinge with 1 – T15 screw
6. Reinstall ice auger bucket.
7. Install 2 new ice port gasket retainers into the 2 ice port gaskets then install gaskets.

Café User Interface and Handles

1. Put the 2 tabs on bottom of the dispenser paddle into 2 holes in recess.
2. Snap 2 top tabs of paddle into place keeping wires to left.
3. Position spring on duct door then put left of shaft into hole in recess.
4. Slide motor back into mounting bracket route wires under clip at top of the recess.

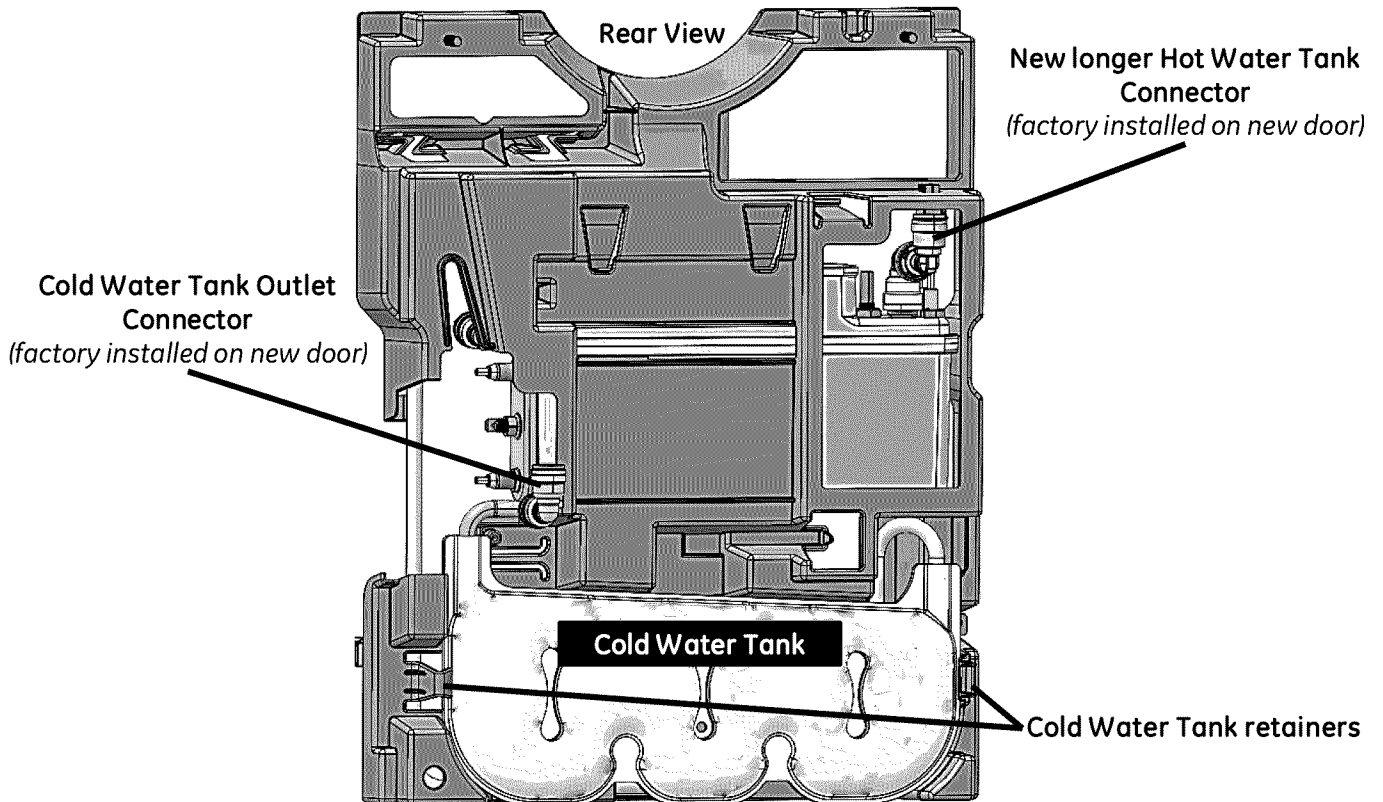
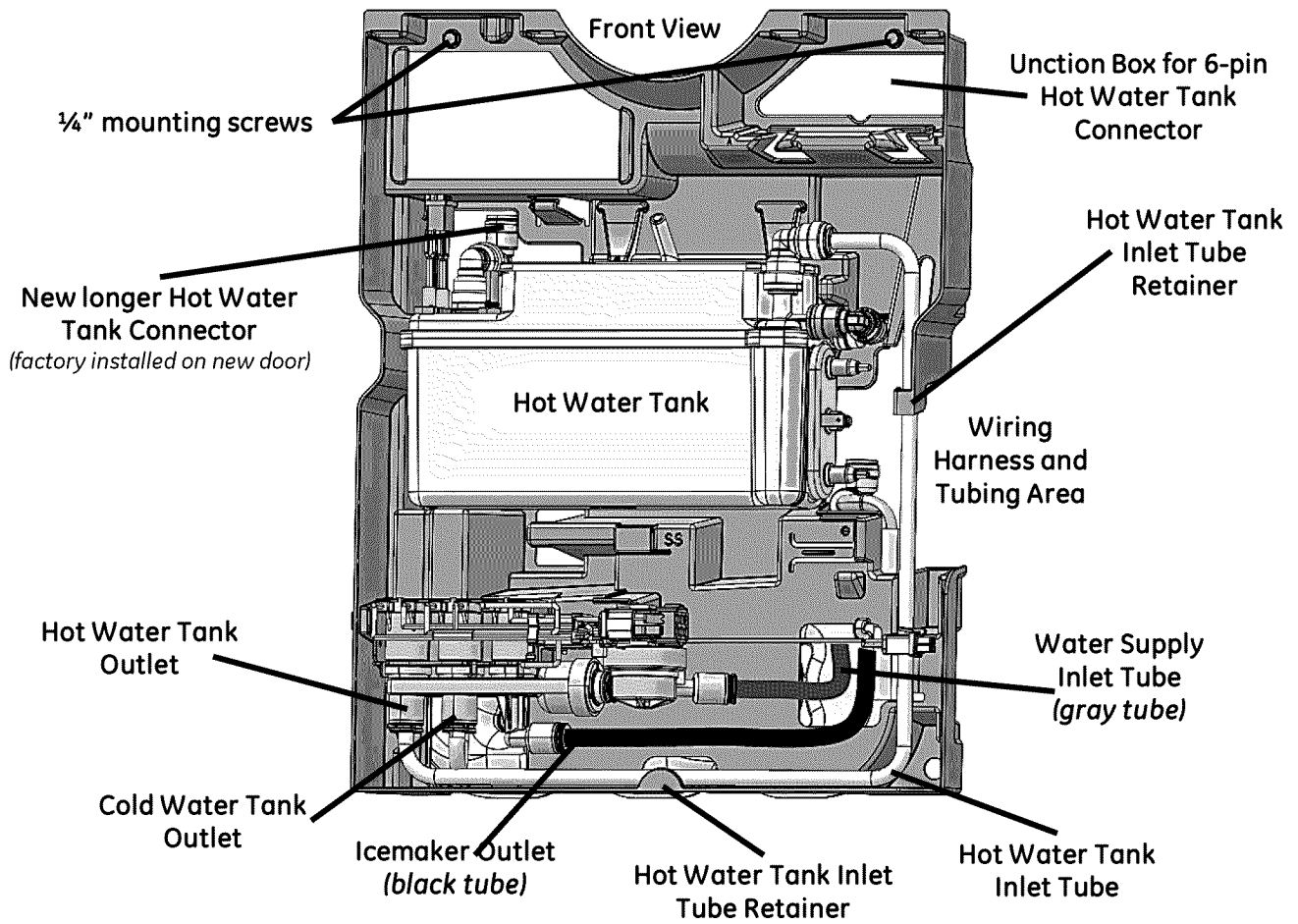


5. Install ice chute then insert cold and hot water tubes into chute.
6. Using a safety knife cut the cold and hot water dispenser tubes to the proper length (*cut must be square and approximately 1/8" below the chute*).
7. Connect wiring harness from paddle switch and duct door motor to door harness connector, ensuring no wires are pinched or in the chute area.
8. Connect all connectors to User Interface board.
9. Position User Interface assembly into place, keeping wiring dressed so as not to leave wiring exposed below the assembly, then install 4 - 1/4" screws to secure the User Interface assembly.
Note: Keep the 2 Molex connectors to the auger motor and paddle switch to the left of the ice chute to allow User Interface assembly to seat properly.
10. Install User Interface trim by inserting all 4 bottom tabs into the housing and around the hot water knob then push in the top.
11. Install both (3/16" hex) top and bottom handle fasteners into door.
12. Place handle onto fasteners with 1/8" set screws to right then tighten both set screws.
13. Reinstall tray guard with 1/4" screw on underside.
14. Reinstall the recess tray to the bottom of recess.

GE & Profile Recess, User Interface and Handles

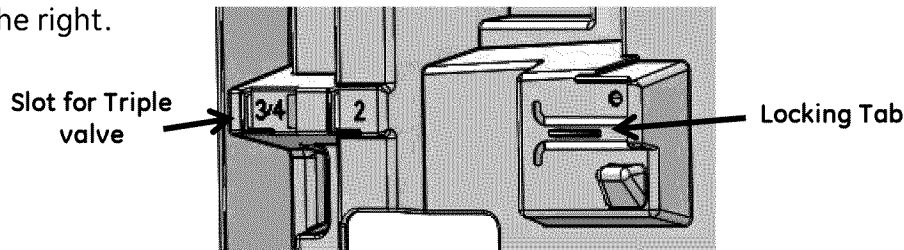
1. Put the 2 tabs on bottom of the dispenser paddle into 2 holes in recess.
2. Snap 2 top tabs of paddle into place keeping wires to left.
3. Position spring on duct door then put left side of shaft into hole in recess.
4. Slide motor back into mounting bracket route wires.
5. Install ice chute then insert cold and hot water tubes into chute.
6. Route Duct door motor harness in front of ice chute.
7. Using a safety knife cut the cold water dispenser tube to the proper length (*cut must be square and approximately 1/8" below the chute*).
8. Connect wiring harness from paddle switch and duct door motor to door harness connector, ensuring no wires are pinched or in the ice chute area.
9. Connect all connectors to User Interface board.
10. Position User Interface assembly into place, keeping wiring dressed so as not to leave wiring exposed below the assembly, then snap into place.
Note: Keep the 2 Molex connectors to the auger motor and paddle switch to the left of the ice chute to allow User Interface assembly to seat properly.
10. Install both T30 (3/16" hex) top and bottom handle fasteners into door. **NOTE: Profile models have a washer under the bottom fastener.**
11. Place handle onto fasteners with 1/8" set screws to right then tighten both set screws.
12. Reinstall tray guard (*if present*) with 1/4" screw on underside.
13. Reinstall the recess tray to the bottom of recess.

Café Tank & Valve Tray



Café Valve and Tank Installation

1. Tank & Valve tray has new cold water tank attached.
2. Connect cold water tank outlet tube to 90° quick connector already installed on door.
3. Move all of tubing and wiring harness to right to align with the slot in right side of tank tray, place tubes and wiring in slot as connected in the following steps.
4. Pull hot water tank 6-pin DC wiring harness from upper left junction box.
5. Using 2 supplied 1/4" screws mount Tank & Valve Tray to the door with holes at the top.
6. Connect the cold water tank inlet tube to center outlet on water valve.
7. Attach water valve to tray by using the slot on left then slide to right to lock in place with tab on the right.



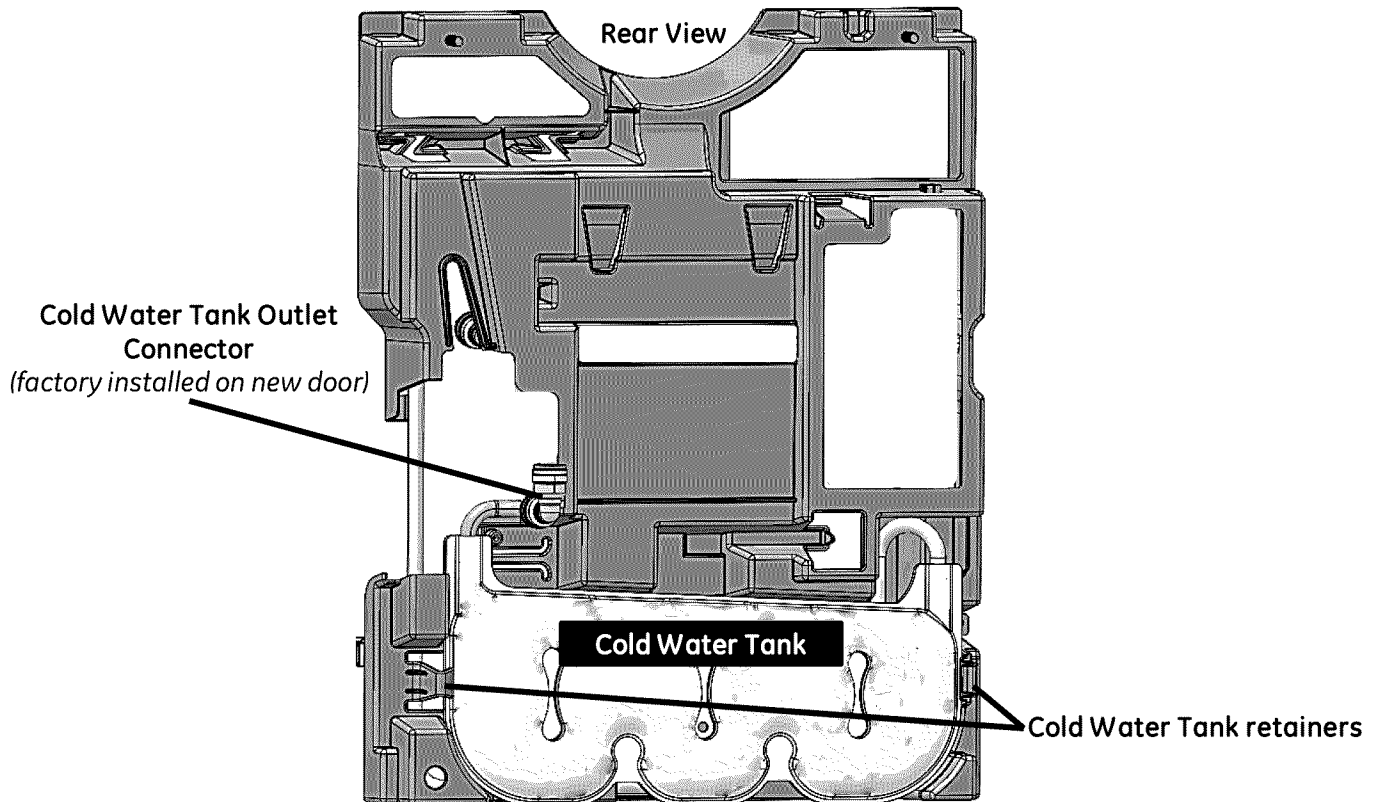
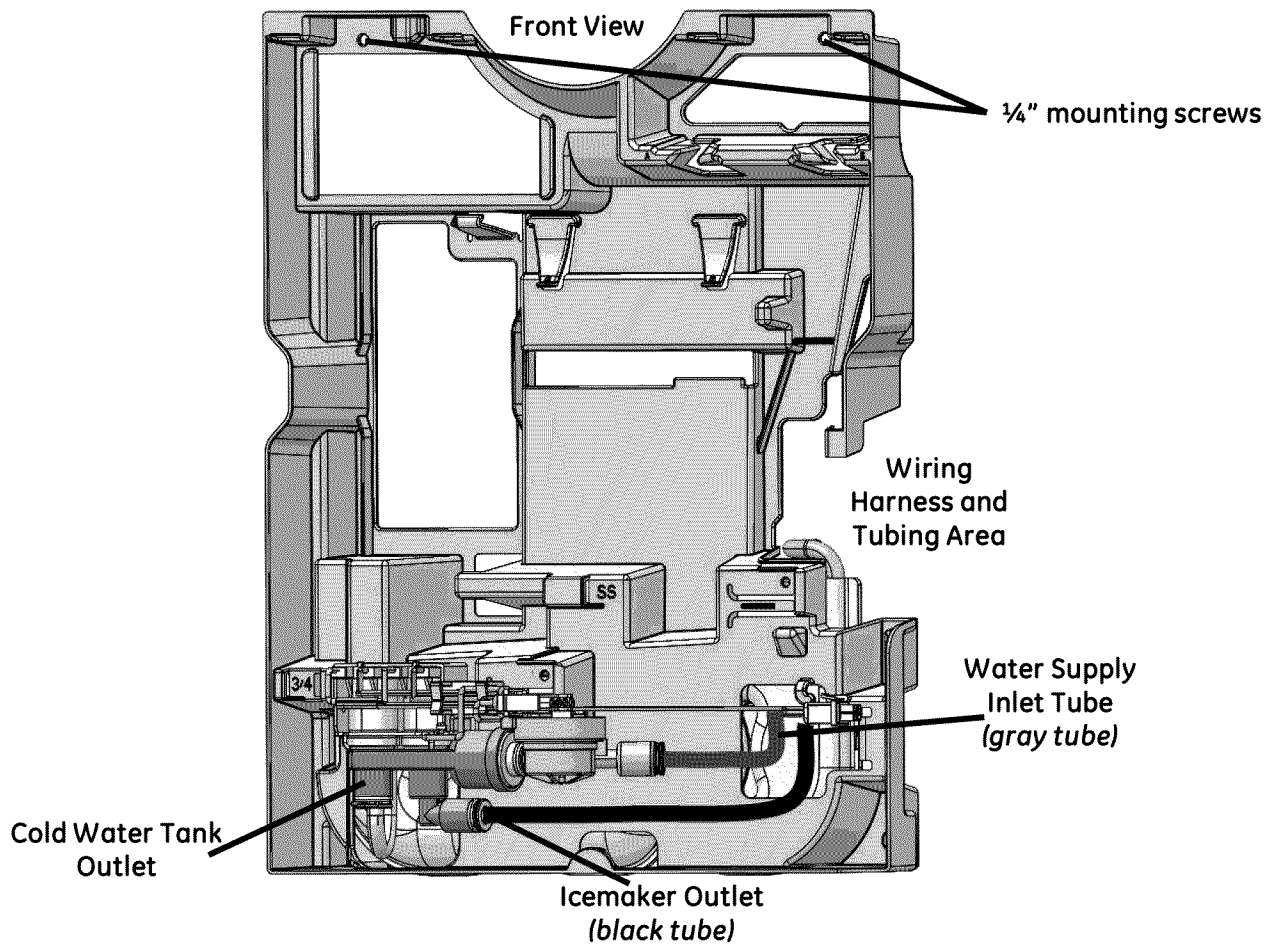
8. Disconnect male to female 90° quick connector on outlet of hot water tank and discard. (*do not reuse this connector, the one already installed is longer*)



9. Push quick connector on outlet of hot water tank onto male end of connector already installed on hot water tube in the door making sure it is fully seated.
10. Place hot water tank onto tray and press downward to clip in place.
11. Connect 6 pin DC harness and route connector into junction box at top right of tray.
12. Connect 3 pin AC harness and route it to right side of hot water tank.
13. Connect water valve connector to AC harness.
14. Connect flow meter harness to wiring harness.
15. Connect inlet water tube to water flow meter on right end of valve.
16. Connect IM fill tube to right angled outlet on water valve.
17. Dress all tubing and harnesses in opening on right side of Tank & Valve tray.
18. Install short end of new hot water inlet tube to leftmost outlet on water valve and other end to inlet of hot water tank.
19. Route same new hot water tube through 2 retaining clips in tray, one on bottom of tray below the water valve and one mid-high on right side of tray.

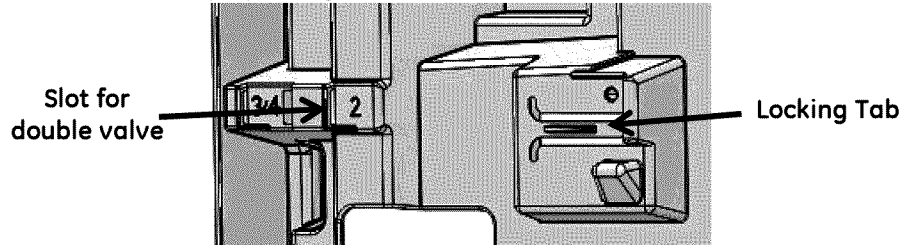
Go to Final Steps on pg. 11

GE Profile Tank & Valve Tray

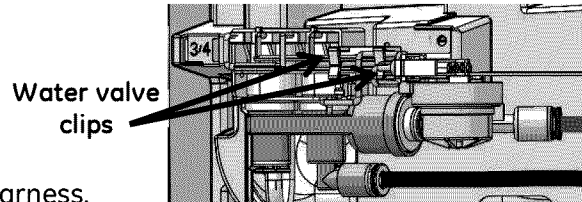


GE & Profile Valve and Tank Installation

1. Tank & Valve tray has new cold water tank attached.
2. Connect cold water tank outlet tube to 90° quick connector.
3. Move all of tubing and wiring harness to right to align with the slot in right side of tank tray, place tubes and wiring in slot as connected in the following steps.
4. Using 2 supplied 1/4" screws mount Tank & Valve Tray to the door with holes at the top.
5. Connect the cold water tank inlet tube to left port of water valve.
6. Attach water valve to tray by using the slot on left toward the center then slide to right to lock in place.



7. Remove wiring harness from white clip on water valve for full use of length of harness then connect.



8. Connect water valve connector to AC harness.
9. Connect flow meter harness to wiring harness if present. *(some models do not have flow meter)*
10. Connect water tube to water valve inlet or flow meter on right end of valve.
11. Connect IM fill tube to right angled outlet on water valve.
12. Dress all tubing and harness in slot on right side of Tank & Valve tray.

Final Steps (all)

1. Reconnect water line to quick connector on back of refrigerator
2. Reconnect power to refrigerator for the purposes of leak checking the Cold and Hot Water Connections. Disconnect power to the refrigerator before performing any further repairs to the water or electrical systems.
3. Fill cold water tank then dispense 6 large glasses of water and inspect for leaks.
4. Fill Hot water tank.
5. Operate the hot water feature at 185 degree or on Soup selection 3 times and inspect for leaks.
6. Install new water valve and tank cover by:
 - a. Put cover in place about 1/2" down and slide up.
 - b. This will insert 4 tabs on the top inside of cover into slots at the top of the tray.
 - c. Install 2 - 1/4" screws provided into bottom screw holes.
 - d. Install 2 - 1/4" screws provided into side recess holes to complete cover installation.
7. Reuse 2 upper door bin modules on ice box door.
8. Install new bottom left door bin on tank & valve cover. *(New bin appearance may be different than original)*
9. Reinstall filter
10. Reinstall filter door assembly.
11. Ensure doors are even at the top, if not, adjust as needed so they are even.
12. Place **Door Modification Notice** decal directly under the Model and Serial tag at the top right of ff interior.