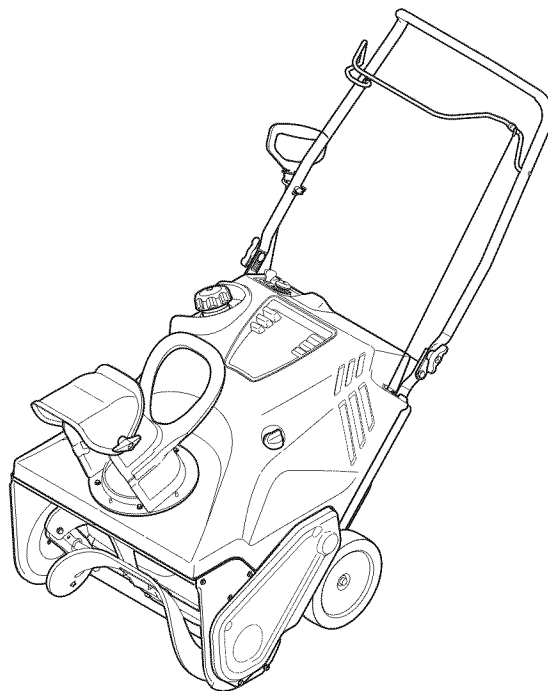


# Operator's Manual



## 21" SNOW THROWER

Model No. 247.887802



**CAUTION:** Before using this product, read this manual and follow all safety rules and operating instructions.

- SAFETY
- ASSEMBLY
- OPERATION
- MAINTENANCE
- PARTS LIST
- ESPAÑOL

**Sears Brands Management Corporation, Hoffman Estates, IL 60179, U.S.A.**

Visit our website: [www.craftsman.com](http://www.craftsman.com)

Form No. 769-06194I  
(June 3, 2015)

## TABLE OF CONTENTS

Warranty Statement.....	2	Off-Season Storage.....	18
Safety Instructions .....	3	Troubleshooting .....	19
Assembly .....	7	Repair Protection Agreement.....	23
Operation .....	10	Español.....	24
Service and Maintenance .....	13	Service Numbers.....	Back Cover

## WARRANTY STATEMENT

### CRAFTSMAN LIMITED WARRANTY

FOR TWO YEARS from the date of sale, this product is warranted against defects in material or workmanship.

WITH PROOF OF SALE, a defective product will receive free repair or replacement at option of seller.

For warranty coverage details to obtain free repair or replacement, visit the web page: [www.craftsman.com/warranty](http://www.craftsman.com/warranty)

This warranty covers ONLY defects in material and workmanship. Warranty coverage does NOT include:

- Expendable items that can wear out from normal use within the warranty period, including but not limited to augers, auger paddles, drift cutters, skid shoes, shave plate, shear pins, spark plug, air cleaner, belts, and oil filter.
- Standard maintenance servicing, oil changes, or tune-ups.
- Tire replacement or repair caused by punctures from outside objects, such as nails, thorns, stumps, or glass.
- Tire or wheel replacement or repair resulting from normal wear, accident, or improper operation or maintenance.
- Repairs necessary because of operator abuse, including but not limited to damage caused by over-speeding the engine, or from impacting objects that bend the frame, auger shaft, etc.
- Repairs necessary because of operator negligence, including but not limited to, electrical and mechanical damage caused by improper storage, failure to use the proper grade and amount of engine oil, or failure to maintain the equipment according to the instructions contained in the operator's manual.
- Engine (fuel system) cleaning or repairs caused by fuel determined to be contaminated or oxidized (stale). In general, fuel should be used within 30 days of its purchase date.
- Normal deterioration and wear of the exterior finishes, or product label replacement.

This warranty is void if this product is ever used while providing commercial services or if rented to another person.

This warranty gives you specific legal rights, and you may also have other rights which vary from state to state.

Sears Brands Management Corporation, Hoffman Estates, IL 60179

## PRODUCT SPECIFICATIONS

Engine Oil:	SAE 5W-30
Engine Oil Capacity:	20 ounces
Fuel:	Unleaded Gasoline
Fuel Capacity:	2 quarts
Spark Plug:	F6RTC
Spark Plug Gap:	.020-.030"

## MODEL NUMBER

Model Number \_\_\_\_\_  
Serial Number \_\_\_\_\_  
Date of Purchase \_\_\_\_\_

Record the model number, serial number,  
and date of purchase above.

# SAFETY INSTRUCTIONS

## WARNING

This symbol points out important safety instructions which, if not followed, could endanger the personal safety and/or property of yourself and others. Read and follow all instructions in this manual before attempting to operate this machine. Failure to comply with these instructions may result in personal injury. When you see this symbol, HEED ITS WARNING!

## WARNING

### CALIFORNIA PROPOSITION 65

Engine Exhaust, some of its constituents, and certain vehicle components contain or emit chemicals known to State of California to cause cancer and birth defects or other reproductive harm.

## DANGER

This machine was built to be operated according to the safe operation practices in this manual. As with any type of power equipment, carelessness or error on the part of the operator can result in serious injury. This machine is capable of amputating fingers, hands, toes and feet and throwing debris. Failure to observe the following safety instructions could result in serious injury or death.

## WARNING

**Your Responsibility**—Restrict the use of this power machine to persons who read, understand and follow the warnings and instructions in this manual and on the machine.

**SAVE THESE INSTRUCTIONS!**

## TRAINING

- Read, understand, and follow all instructions on the machine and in the manual(s) before attempting to assemble and operate. Failure to do so can result in serious injury to the operator and/or bystanders. Keep this manual in a safe place for future and regular reference and for ordering replacement parts.
- Be familiar with all controls and their proper operation. Know how to stop the machine and disengage them quickly.
- Never allow children under 14 years of age to operate this machine. Children 14 and over should read and understand the instructions and safe operation practices in this manual and on the machine and be trained and supervised by an adult.
- Never allow adults to operate this machine without proper instruction.
- Thrown objects can cause serious personal injury. Plan your snow-throwing pattern to avoid discharge of material toward roads, bystanders and the like.
- Keep bystanders, pets and children at least 75 feet from the machine while it is in operation. Stop machine if anyone enters the area.
- Exercise caution to avoid slipping or falling, especially when operating in reverse.

## PREPARATION

- Thoroughly inspect the area where the equipment is to be used. Remove all doormats, newspapers, sleds, boards, wires and other foreign objects, which could be tripped over or thrown by the auger/impeller.
- Always wear safety glasses or eye shields during operation and while performing an adjustment or repair to protect your eyes. Thrown objects which ricochet can cause serious injury to the eyes.
- Do not operate without wearing adequate winter outer garments. Do not wear jewelry, long scarves or other loose clothing, which could become entangled in moving parts. Wear footwear which will improve footing on slippery surfaces.
- Use a grounded three-wire extension cord and receptacle for all machines with electric start engines.
- Disengage all control levers before starting the engine.
- Never attempt to make any adjustments while engine is running, except where specifically recommended in the operator's manual.
- Let engine and machine adjust to outdoor temperature before starting to clear snow.

## Safe Handling of Gasoline:

To avoid personal injury or property damage use extreme care in handling gasoline. Gasoline is extremely flammable and the vapors are explosive. Serious personal injury can occur when gasoline is spilled on yourself or your clothes which can ignite. Wash your skin and change clothes immediately.

- Use only an approved gasoline container.
- Extinguish all cigarettes, cigars, pipes and other sources of ignition.
- Never fuel machine indoors.
- Never remove gas cap or add fuel while the engine is hot or running.
- Allow engine to cool at least two minutes before refueling.
- Never overfill fuel tank. Fill tank to no more than ½ inch below bottom of filler neck to provide space for fuel expansion.
- Replace gasoline cap and tighten securely.
- If gasoline is spilled, wipe it off the engine and equipment. Move machine to another area. Wait 5 minutes before starting the engine.
- Never store the machine or fuel container inside where there is an open flame, spark or pilot light (e.g. furnace, water heater, space heater, clothes dryer etc.).
- Allow machine to cool at least 5 minutes before storing.
- Never fill containers inside a vehicle or on a truck or trailer bed with a plastic liner. Always place containers on the ground away from your vehicle before filling.
- If possible, remove gas-powered equipment from the truck or trailer and refuel it on the ground. If this is not possible, then refuel such equipment on a trailer with a portable container, rather than from a gasoline dispenser nozzle.
- Keep the nozzle in contact with the rim of the fuel tank or container opening at all times until fueling is complete. Do not use a nozzle lock-open device.

# SAFETY INSTRUCTIONS

## OPERATION

- Do not put hands or feet near rotating parts, in the auger/impeller housing or chute assembly. Contact with the rotating parts can amputate hands and feet.
- The auger/impeller control lever is a safety device. Never bypass its operation. Doing so makes the machine unsafe and may cause personal injury.
- The control levers must operate easily in both directions and automatically return to the disengaged position when released.
- Never operate with a missing or damaged chute assembly. Keep all safety devices in place and working.
- Never run an engine indoors or in a poorly ventilated area. Engine exhaust contains carbon monoxide, an odorless and deadly gas.
- Do not operate machine while under the influence of alcohol or drugs.
- Muffler and engine become hot and can cause a burn. Do not touch. Keep children away.
- Exercise extreme caution when operating on or crossing gravel surfaces. Stay alert for hidden hazards or traffic.
- Exercise caution when changing direction and while operating on slopes.
- Plan your snow-throwing pattern to avoid discharge towards windows, walls, cars etc. Thus, avoiding possible property damage or personal injury caused by a ricochet.
- Prevent possible property damage or personal injury from object ricochet by planning your snow throwing pattern to avoid discharge towards windows, walls, cars, etc.
- Do not overload machine capacity by attempting to clear snow at too fast of a rate.
- Never operate this machine without good visibility or light. Always be sure of your footing and keep a firm hold on the handles. Walk, never run.
- Disengage power to the auger/impeller when transporting or not in use.
- Never operate machine at high transport speeds on slippery surfaces. Look down and behind and use care when backing up.
- If the machine should start to vibrate abnormally, stop the engine, disconnect the spark plug wire and ground it against the engine. Inspect thoroughly for damage. Repair any damage before starting and operating.
- Disengage all control levers and stop engine before you leave the operating position (behind the handles). Wait until the auger/impeller comes to a complete stop before unclogging the chute assembly, making any adjustments, or inspections.
- Never put your hand in the discharge or collector openings. Do not unclog chute assembly while engine is running. Shut off engine and remain behind handles until all moving parts have stopped before unclogging.
- Use only attachments and accessories approved by the manufacturer (e.g. wheel weights, tire chains, cabs etc.).
- When starting engine, pull cord slowly until resistance is felt, then pull rapidly. Rapid retraction of starter cord (kickback) will pull hand and arm toward engine faster than you can let go. Broken bones, fractures, bruises or sprains could result.

## CLEARING A CLOGGED DISCHARGE CHUTE

Hand contact with the rotating impeller inside the discharge chute is the most common cause of injury associated with snow throwers. Never use your hand to clean out the discharge chute.

To clear the chute:

- a. SHUT THE ENGINE OFF!
- b. Wait 10 seconds to be sure the impeller blades have stopped rotating.
- c. Always use a clean-out tool, not your hands.

## MAINTENANCE & STORAGE

- Never tamper with safety devices. Check their proper operation regularly. Refer to the maintenance and adjustment sections of this manual.
- Before cleaning, repairing, or inspecting machine disengage all control levers and stop the engine. Wait until the auger/impeller come to a complete stop. Disconnect the spark plug wire and ground against the engine to prevent unintended starting.
- Check bolts and screws for proper tightness at frequent intervals to keep the machine in safe working condition. Also, visually inspect machine for any damage.
- Do not change the engine governor setting or over-speed the engine. The governor controls the maximum safe operating speed of the engine.
- Snow thrower shave plates and skid shoes are subject to wear and damage. For your safety protection, frequently check all components and replace with original equipment manufacturer's (OEM) parts only as listed in the Parts pages of this Operator's Manual. Use of parts which do not meet the original equipment specifications may lead to improper performance and compromise safety!
- Check control levers periodically to verify they engage and disengage properly and adjust, if necessary. Refer to the adjustment section in this operator's manual for instructions.
- Maintain or replace safety and instruction labels, as necessary.
- Observe proper disposal laws and regulations for gas, oil, etc. to protect the environment.
- Prior to storing, run machine a few minutes to clear snow from machine and prevent freeze up of auger/impeller.
- Never store the machine or fuel container inside where there is an open flame, spark or pilot light such as a water heater, furnace, clothes dryer etc.
- Always refer to the operator's manual for proper instructions on off-season storage.
- Check fuel line, tank, cap, and fittings frequently for cracks or leaks. Replace if necessary.
- Do not crank engine with spark plug removed.
- According to the Consumer Products Safety Commission (CPSC) and the U.S. Environmental Protection Agency (EPA), this product has an Average Useful Life of seven (7) years, or 60 hours of operation. At the end of the Average Useful Life have the machine inspected annually by an authorized service dealer to ensure that all mechanical and safety systems are working properly and not worn excessively. Failure to do so can result in accidents, injuries or death.

# SAFETY INSTRUCTIONS

## DO NOT MODIFY ENGINE

To avoid serious injury or death, do not modify engine in any way. Tampering with the governor setting can lead to a runaway engine and cause it to operate at unsafe speeds. Never tamper with factory setting of engine governor.

## NOTICE REGARDING EMISSIONS

Engines which are certified to comply with California and federal EPA emission regulations for SORE (Small Off Road Equipment) are certified to operate on regular unleaded gasoline, and may include the following emission control systems: Engine Modification (EM), Oxidizing Catalyst (OC), Secondary Air Injection (SAI) and Three Way Catalyst (TWC) if so equipped.

## SPARK ARRESTOR

### **WARNING**

This machine is equipped with an internal combustion engine and should not be used on or near any unimproved forest-covered, brushcovered or grass-covered land unless the engine's exhaust system is equipped with a spark arrestor meeting applicable local or state laws (if any).

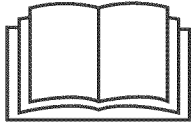








If a spark arrestor is used, it should be maintained in effective working order by the operator. In the State of California the above is required by law (Section 4442 of the California Public Resources Code). Other states may have similar laws. Federal laws apply on federal lands.

A spark arrestor for the muffler is available through your nearest Sears Parts and Repair Service Center, or by calling 1-888-331-4569.

# SAFETY INSTRUCTIONS

## SAFETY SYMBOLS

This page depicts and describes safety symbols that may appear on this product. Read, understand, and follow all instructions on the machine before attempting to assemble and operate.

Symbol	Description
	<b>READ THE OPERATOR'S MANUAL(S)</b> Read, understand, and follow all instructions in the manual(s) before attempting to assemble and operate
	<b>WARNING— ROTATING BLADES</b> Keep hands out of inlet and discharge openings while machine is running. There are rotating blades inside
	<b>WARNING— ROTATING BLADES</b> Keep hands out of inlet and discharge openings while machine is running. There are rotating blades inside
	<b>WARNING— ROTATING AUGER</b> Do not put hands or feet near rotating parts, in the auger/impeller housing or chute assembly. Contact with the rotating parts can amputate hands and feet.
	<b>WARNING—THROWN OBJECTS</b> This machine may pick up and throw and objects which can cause serious personal injury.
	<b>WARNING— GASOLINE IS FLAMMABLE</b> Allow the engine to cool at least two minutes before refueling.
	<b>WARNING— CARBON MONOXIDE</b> Never run an engine indoors or in a poorly ventilated area. Engine exhaust contains carbon monoxide, an odorless and deadly gas.
	<b>WARNING— ELECTRICAL SHOCK</b> Do not use the engine's electric starter in the rain
	<b>WARNING— HOT SURFACE</b> Engine parts, especially the muffler, become extremely hot during operation. Allow engine and muffler to cool before touching.



**WARNING:** Your Responsibility—Restrict the use of this power machine to persons who read, understand and follow the warnings and instructions in this manual and on the machine.

**SAVE THESE INSTRUCTIONS!**

# ASSEMBLY

**NOTE:** All references to the left or right side of the snow thrower are from the operator's position. Any exceptions will be noted.

## Unpacking the Snow Thrower

1. Open the top of the carton.
2. Cut down the corners on the front of the carton and fold down the front side.
3. Pull the snow thrower out of the carton. Be sure not to damage the chute, or any cables attached to the chute, which is shipped under the shroud on the backside of the carton.

## Assembly

### Positioning the Upper Handle

1. Remove the wing knobs and carriage bolts from the top of the lower handle. See Figure 1. It is not necessary to remove the shoulder screw and flange lock nut below the wing knob and carriage bolt.

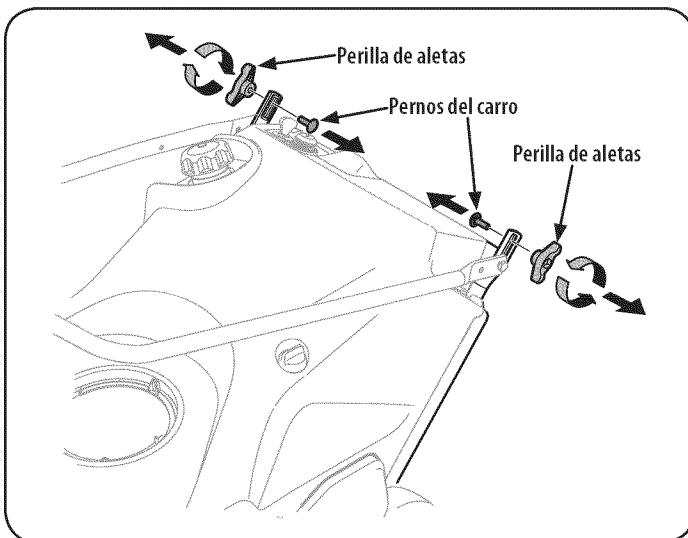


Figure 1

2. Pivot the upper handle into the operating position. Be sure not to pinch any of the cables in the process. See Figure 2.

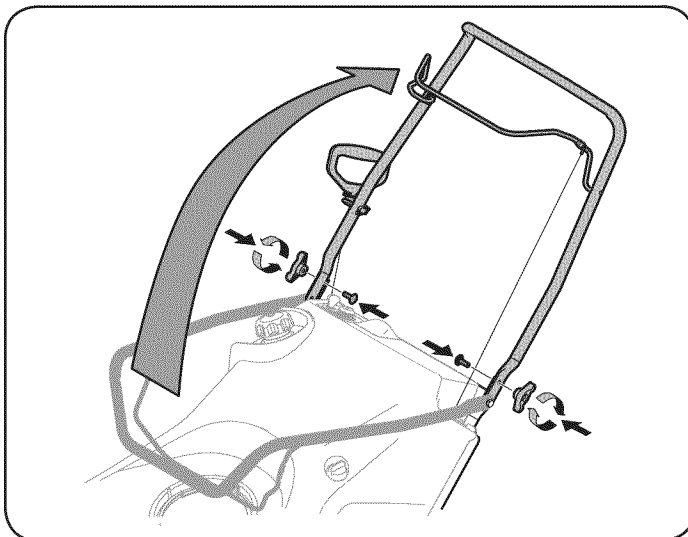


Figure 2

3. Tighten the previously removed hardware to secure the handle in place. See Figure 2.

### Installing the Chute

1. Place the chute handle on the lower chute as shown in Figure 3. Be certain that the handle is aligned in the channel on the chute and the tabs snap into place.

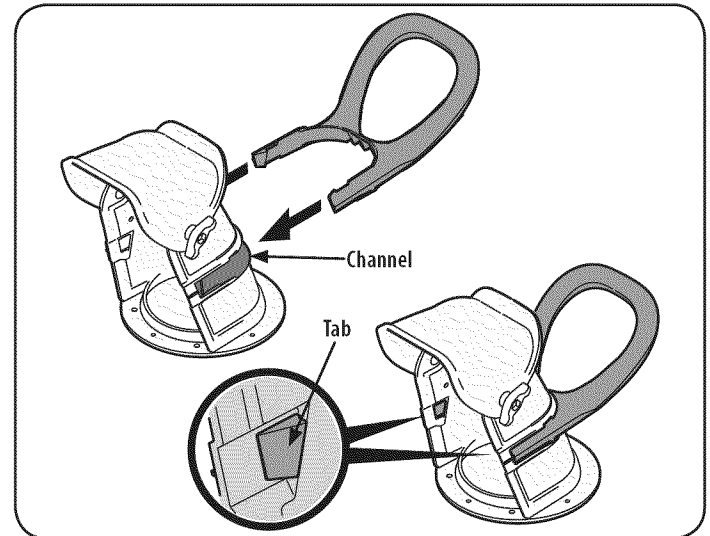


Figure 3

2. Remove the screws in the chute base. See Figure 4.

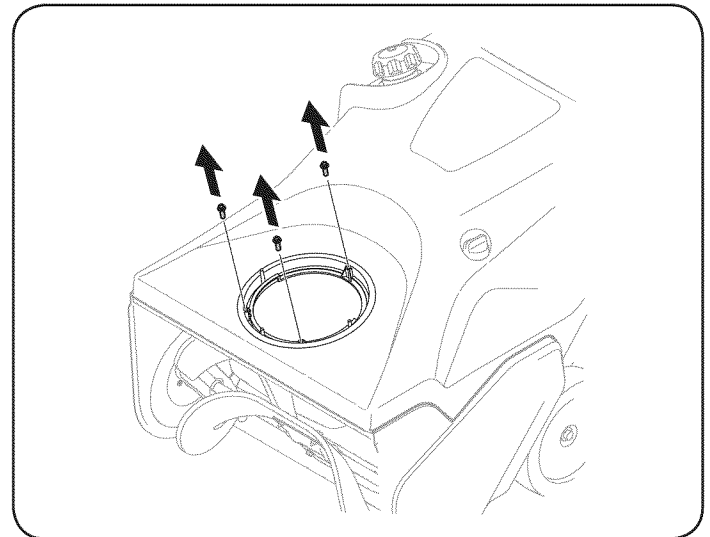


Figure 4

## ASSEMBLY

- Align the holes in the chute base with the holes in the lower chute and secure with the previously removed screws. See Figure 5.

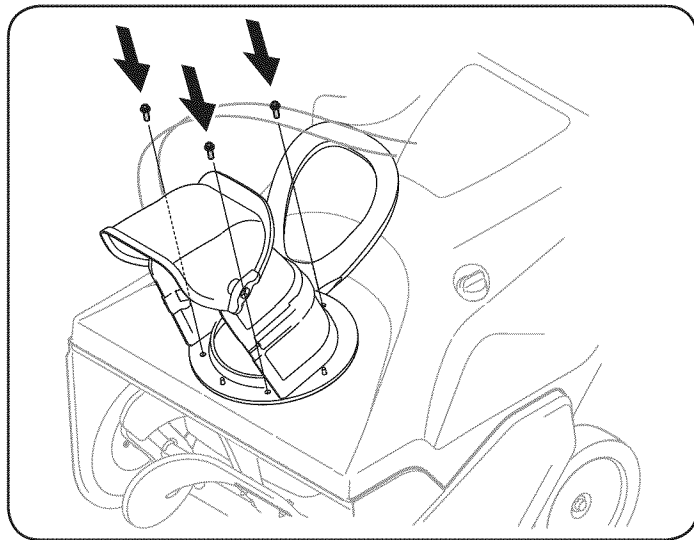


Figure 5

### Installing the Recoil Starter Handle

- Remove the eye bolt and handle knob from the manual bag.
- Place the eye bolt and handle knob on the upper handle as shown in Figure 6. Do not fully tighten the hardware until instructed to do so.

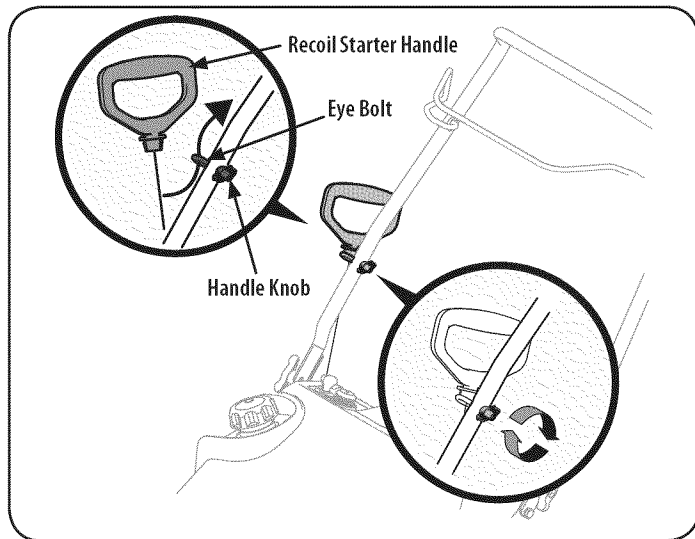


Figure 6

**NOTE:** The opening of the eye bolt should face toward the back of the snow thrower.

- Slowly pull the recoil starter handle up towards the eye bolt.
- Slip the recoil starter rope into the eye bolt from the back side of the snow thrower. See Figure 6.
- Securely tighten the eye bolt and handle knob.

### Set-Up

#### Fuel Recommendations

#### **CAUTION**

Operating the engine with E15 or E85 fuel, an oil/gasoline mixture, dirty gasoline, or **gasoline over 30 days old** without fuel stabilizing additive may result in damage to your engine's carburetor. Subsequent damage would **not** be covered under the manufacturer's warranty.

Use automotive gasoline (unleaded or low leaded to minimize combustion chamber deposits) with a minimum of 87 octane. Gasoline with up to 10% ethanol (E10) or 15% MTBE (Methyl Tertiary Butyl Ether) can be used. Never use an oil/gasoline mixture or dirty gasoline. Avoid getting dirt, dust, or water in the fuel tank.

#### **DO NOT use E15 or E85 gasoline.**

- Refuel in a well-ventilated area with the engine stopped. Do not smoke or allow flames or sparks in the area where the engine is refueled or where gasoline is stored.
- Do not overfill the fuel tank. After refueling, make sure the tank cap is closed properly and securely.
- Be careful not to spill fuel when refueling. Spilled fuel or fuel vapor may ignite. If any fuel is spilled, make sure the area is dry before starting the engine.
- Avoid repeated or prolonged contact with skin or breathing of vapor.

#### Adding Fuel

#### **WARNING**

Use extreme care when handling gasoline. Gasoline is extremely flammable and the vapors are explosive. Never fuel the machine indoors or while the engine is hot or running. Extinguish cigarettes, cigars, pipes and other sources of ignition.

#### **WARNING**

Always keep hands and feet clear of equipment moving parts. Do not use a pressurized starting fluid. Vapors are flammable.

- Remove the gas cap, check the fuel level and add fuel if necessary.



# ASSEMBLY

## Checking and Adding Oil

### CAUTION

The engine is shipped without oil in the engine. You must fill the engine with oil before operating. Running the engine with insufficient oil can cause serious engine damage and void the product warranty.

1. Place the snow thrower on a flat, level surface.
2. Remove the oil filler cap/dipstick and wipe the dipstick clean. See Figure 7.

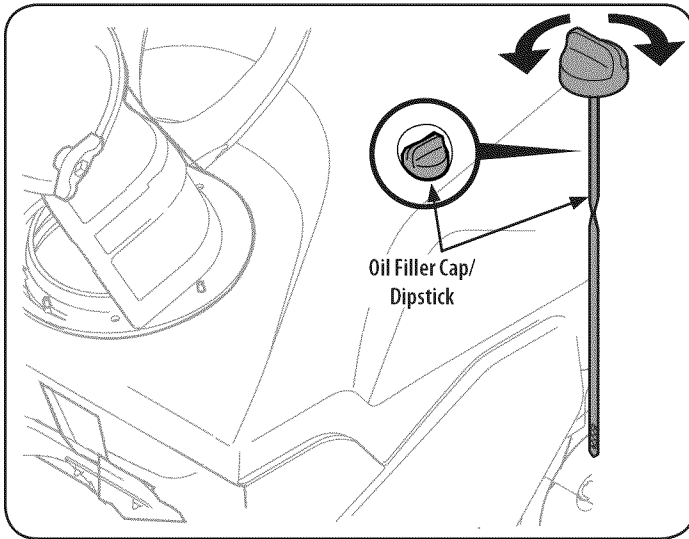


Figure 7

**NOTE:** Do not use synthetic oil for the first five hours of use. Use oil provided.

3. Insert the cap/dipstick into the oil filler neck, but do not screw it in.

4. Remove the oil filler cap/dipstick. If the level is low, slowly add oil until oil level registers between high (H) and low (L), Figure 8.

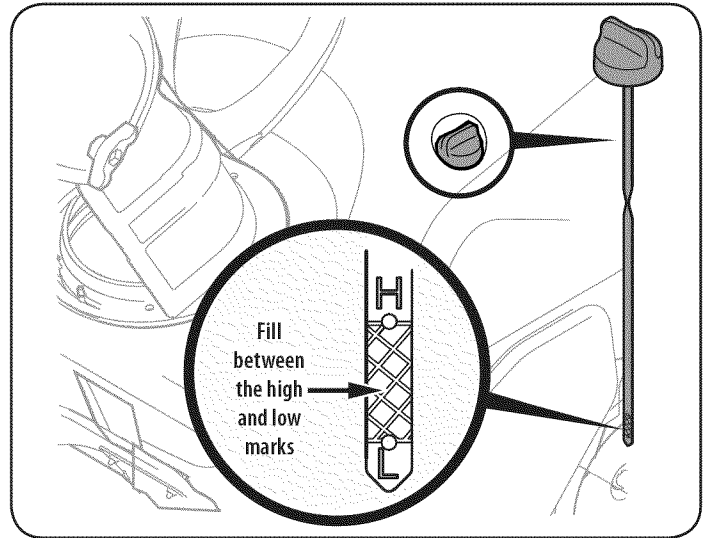


Figure 8

**NOTE:** Do not overfill. Overfilling with oil may cause smoking, hard starting, or spark plug fouling.

5. Replace and tighten cap/dipstick firmly before starting engine.

**NOTE:** DO NOT allow oil level to fall below the "L" mark on the dipstick. Doing so may result in equipment malfunctions or damage.

**NOTE:** To change the oil in your engine, see the Service and Maintenance section of this manual.

# OPERATION

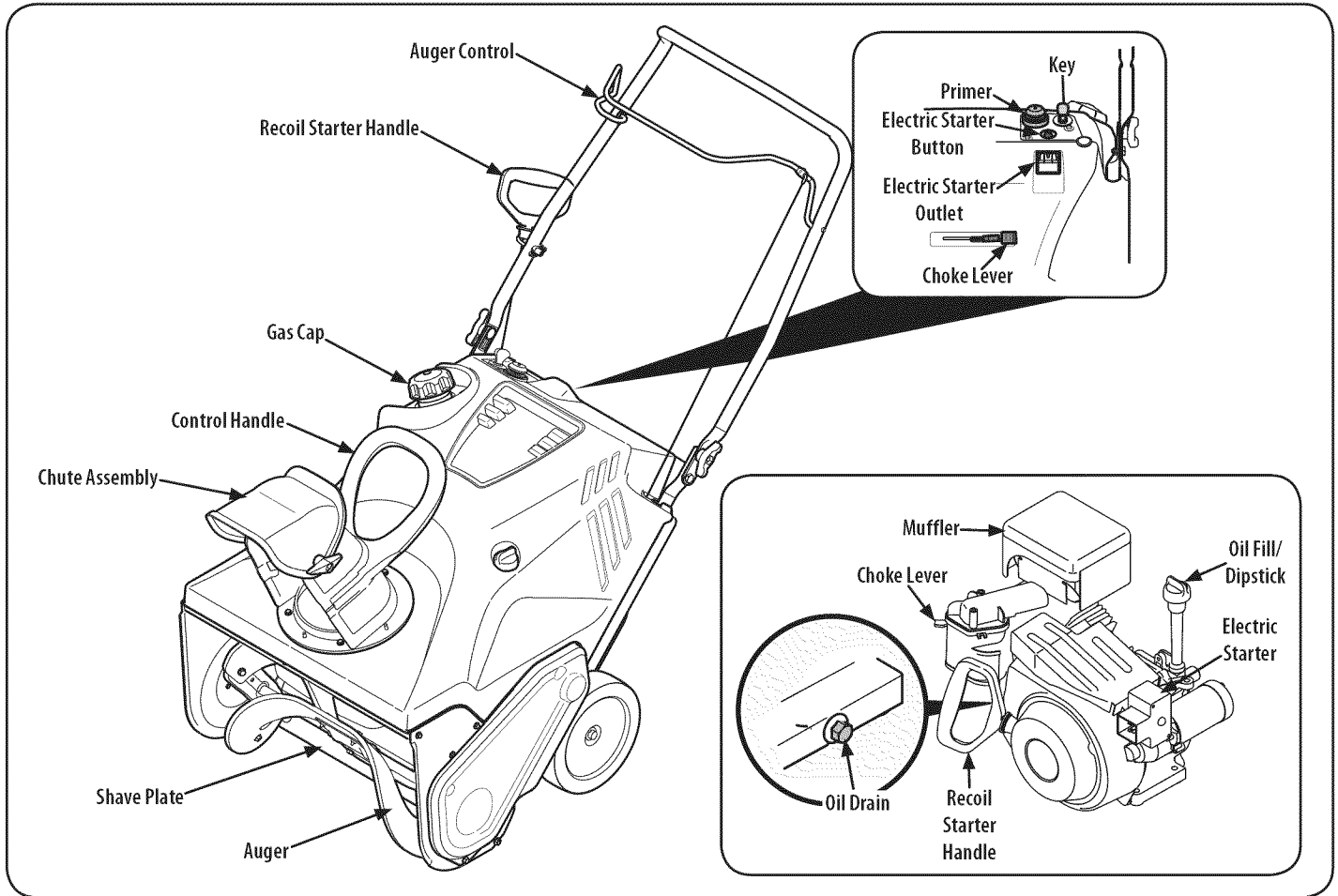




Figure 9

Now that you have set up your snow thrower, it's important to become acquainted with its controls and features. Refer to Figure 9.

## Choke Control



Activating the choke control closes the choke plate on carburetor and aids in starting engine. The choke lever slides between the RUN  and CHOKE  positions.

## Primer

Pressing the primer, making sure to cover the vent hole when pushing, forces fuel directly into the engine's carburetor to aid in cold-weather starting.



## Recoil Starter Handle

The recoil starter handle is used to start the engine.

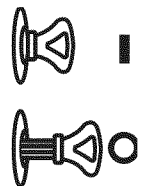
## Gas Cap

Remove the gas cap to add fuel.

## Key

The key is a safety device. It must be fully inserted in order for the engine to start. Remove the key when the snow thrower is not in use.

**NOTE:** Do not turn the key in an attempt to start the engine. Doing so may cause it to break.



## Auger

When engaged, the auger rotation draws snow into the auger housing and throws it out the discharge chute. Rubber paddles on the auger also aid in propelling the snow thrower as they come in contact with the pavement.

Meets ANSI Safety Standards

Craftsman Snow Throwers conform to the safety standard of the American National Standards Institute (ANSI).

# OPERATION

## Auger Control

Located on the upper handle, the auger control handle is used to engage and disengage drive to the auger. Squeeze the control handle against the upper handle to engage the auger; release it to disengage.

## Chute Assembly

Rotate the discharge chute to the left or right using the control handle. The pitch of the discharge chute controls the angle at which the snow is thrown. Loosen the wing knob on the side of the discharge chute before pivoting the discharge chute upward or downward. Retighten the knob once the desired position has been achieved.

## Shave Plate

The shave plate maintains contact with the pavement as the snow thrower is propelled, allowing snow close to the pavement's surface to be discharged.

## Electric Starter Outlet

Requires the use of a three-prong outdoor extension cord and a 120V power source/wall outlet.

## Electric Starter Button

Pressing the electric starter button engages the engine's electric starter when plugged into a 120V power source.

## Oil Fill/Dipstick

Engine oil level can be checked and oil added through the oil fill.

## Oil Drain

Engine oil can be drained through the oil drain.

## Muffler

Engine exhaust exits the engine via the muffler.

## Before Starting the Engine

### **! WARNING**

Read, understand and follow all the instructions and warnings on the machine and in this manual before operating.

## Starting The Engine

### **! WARNING**

Always keep hands and feet clear of moving parts. Do not use a pressurized starting fluid. Vapors are flammable.

### **! WARNING**

To avoid carbon monoxide poisoning, make sure the engine is outdoors in a well-ventilated area.

1. Make certain both the auger control is in the disengaged (released) position.
2. Insert ignition key into slot. Make sure it snaps into place. Do not attempt to turn the key. See Figure 10.

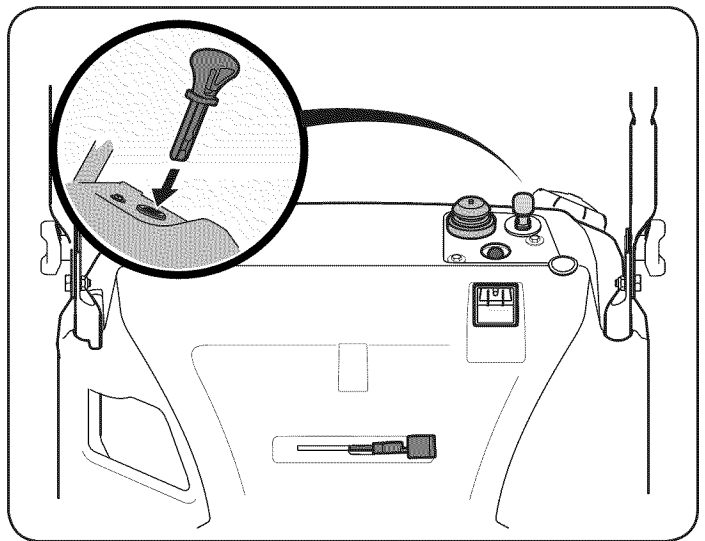


Figure 10

**NOTE:** The engine cannot start unless the key is fully inserted into the ignition switch.

# OPERATION

## Electric Starter

Determine that your home's wiring is a three-wire grounded system. Ask a licensed electrician if you are not certain.

If you have a grounded three-prong receptacle, proceed as follows:

### CAUTION

The extension cord can be any length, but **must** be rated for 15 amps at 125 volts, grounded and rated for outdoor use.

1. Plug the extension cord into the outlet located on the engine's surface. Plug the other end of extension cord into a three-prong 120-volt, grounded, AC outlet in a well-ventilated area. See Figure 11.

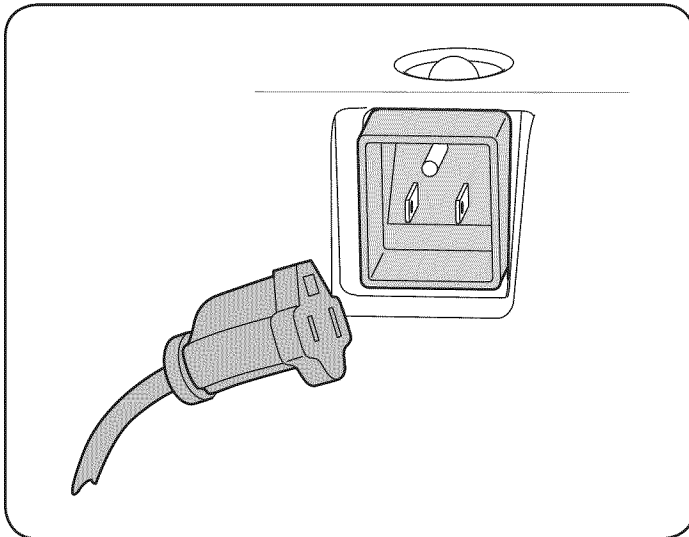
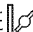

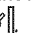



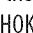



Figure 11

2. Push the choke lever to the CHOKE  position.
3. If the engine is warm, place the choke in the RUN  position instead of CHOKE .
4. Push the primer three (3) times, making sure to cover the vent hole when pushing.
5. If the engine is warm, push the primer button only once.
6. Push starter button to start engine.
7. Once the engine starts, release starter button.
8. Allow the engine to warm up several minutes, adjusting choke toward RUN  position. Wait until engine runs smoothly before each choke adjustment.
9. When disconnecting the extension cord, always unplug the end at the three-prong wall outlet before unplugging the opposite end from the snow thrower.

## Recoil Starter

1. Push the choke lever to the CHOKE  position.
2. If the engine is warm, place the choke in the RUN  position instead of CHOKE .
3. Push the primer three (3) times, making sure to cover the vent hole when pushing.
4. If the engine is warm, push the primer button only once.
5. Grasp the recoil starter handle and slowly pull the rope out. At the point where it becomes slightly harder to pull the rope, slowly allow the rope to recoil.
6. Pull the starter handle with a firm, rapid stroke. Do not release the handle and allow it to snap back. Keep a firm hold on the starter handle and allow it to slowly recoil.
7. Allow the engine to warm up several minutes, adjusting choke toward RUN  position. Wait until engine runs smoothly before each choke adjustment.

## Stopping the Engine

1. Run the engine for a few minutes before stopping to help dry off any moisture on the engine.
2. To stop the engine remove the key and store it in a safe place.
3. Wipe all the snow and moisture away from the engine controls area.

### WARNING

Muffler, engine and surrounding areas become hot and can cause a burn. Be careful and do not touch when they are hot.

## Engaging the Auger

Engage the auger by squeezing the auger control against the upper handle. Release the control to stop the auger.

## Engaging the Drive

Lift up slightly on the handle to allow the rubber paddles on the auger to contact the pavement and propel the snow thrower forward. Pushing downward on the handle will raise the auger off the ground and stop the forward motion.

**NOTE:** Excessive upward pressure on the handle will result in premature wear to the rubber auger paddles.

## Clearing a Clogged Discharge Chute

Hand contact with the rotating impeller inside the discharge chute is the most common cause of injury associated with snow throwers. Never use your hand to clean out the discharge chute.

To clear the chute:

1. SHUT THE ENGINE OFF!
2. Wait 10 seconds to be sure the impeller blades have stopped rotating.
3. Always use a clean-out tool or stick, not your hands.

# SERVICE AND MAINTENANCE

## MAINTENANCE SCHEDULE

### ⚠ WARNING

Before performing any type of maintenance/service, disengage all controls and stop the engine. Wait until all moving parts have come to a complete stop. Disconnect spark plug wire and ground it against the engine to prevent unintended starting. Always wear safety glasses during operation or while performing any adjustments or repairs.

Follow the maintenance schedule given below. This chart describes service guidelines only. Use the Service Log column to keep track of completed maintenance tasks. **To schedule service from Sears Parts & Repair, call 1-888-331-4569.**

Interval	Item	Service	Service Log
Each use	1. Engine oil level. 2. Snow thrower and exhaust area.	1. Check 2. Clean	
1st 5 hours	1. Engine oil.	1. Change.	
Every 5 hours	1. Engine oil. 2. Exhaust area.	1. Check. 2. Clean.	
25 hours	1. Spark plug.	1. Check.	
Every season/50 hours	1. Engine oil	1. Change	
Every season/100 hours	1. Spark plug	1. Clean, replace, re-gap	
Every season/Before storage	1. Pivot points 2. Control handle 3. Extension spring	1. Lubricate 2. Lubricate 3. Lubricate	

## Engine Maintenance

### ⚠ CAUTION

Thoroughly wash your hands with soap and water as soon as possible after handling used oil.

### Oil Recommendations

When adding oil to the engine, refer to the viscosity chart below (Figure 12).

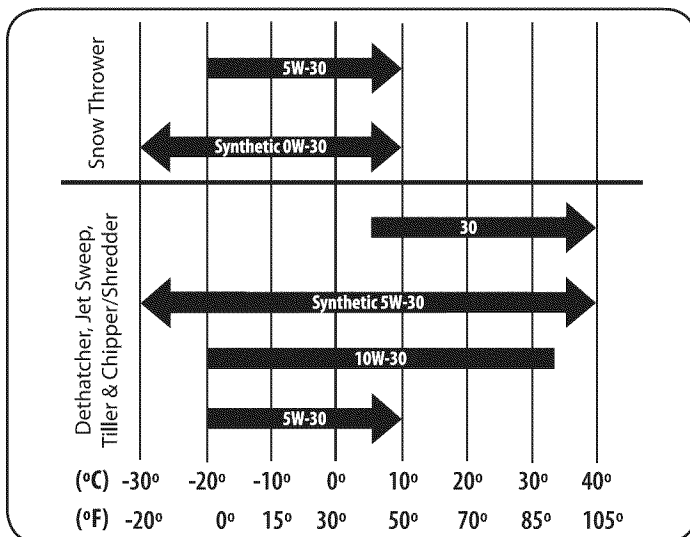


Figure 12

Engine oil capacity is 600 ml (approx. 20 oz.). Do not over-fill. Use a 4-stroke, or an equivalent high detergent, premium quality motor oil certified to meet or exceed

U.S. automobile manufacturer's requirements for service classification SG, SF. Motor oils classified SG, SF will show this designation on the container.

**NOTE:** Please dispose of used motor oil in a manner that is friendly to the environment. Take it to a recycling center or other collection center.

### ⚠ CAUTION

DO NOT use non-detergent oil or 2-stroke engine oil. It could shorten the engine's service life.

## Changing Engine Oil

### ⚠ WARNING

Shut off the engine and remove the ignition key before performing any maintenance. To prevent accidental start-up, disconnect the spark plug boot.

Periodic inspection and adjustment of the engine is essential if high level performance is to be maintained. Regular maintenance will also ensure a long service life. The required service intervals and the type of maintenance to be performed are described in the table above. Follow the hourly or calendar intervals, whichever occur first. More frequent service is required when operating in adverse conditions.

Check oil level before each use and every 5 operating hours when the engine is warm. Refer to Checking and Adding Oil in the Assembly Section.

Change the oil after the first 5 operating hours and every 50 operating hours thereafter. Engine should still be warm but NOT hot from recent use.

1. Drain fuel from the tank by running the engine until the fuel tank is empty. Be sure the fuel fill cap is secure.

## SERVICE AND MAINTENANCE

- Remove the three screws that secure the lower panel. Remove the lower panel by lifting up on the panel to free the tabs at the bottom of the panel from the tab slots and then pull back. See Figure 13.

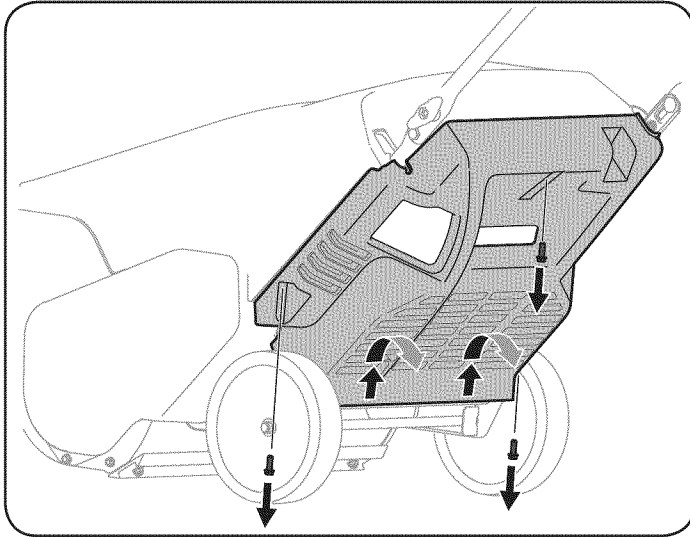


Figure 13

**NOTE:** The bottom of the panel has tabs that help hold it in place.

**NOTE:** An oil drain extension kit is available separately. Visit a Sears Parts & Repair Center or call 1-888-331-4569 and ask for kit #753-06684.

- Place a suitable oil collection container under the oil drain plug.
- Remove the oil drain plug, see Figure 14.

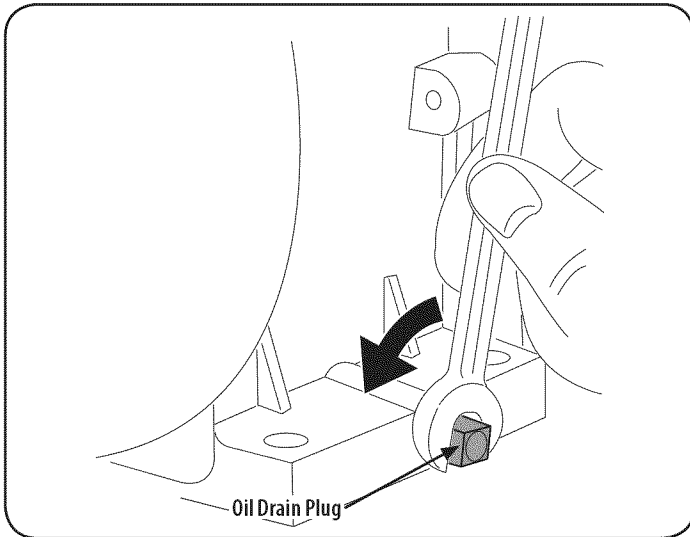


Figure 14

- Tip the snow thrower back to drain oil into the container. Used oil must be disposed of at a proper collection center.
- Reinstall the drain plug and tighten it securely.
- Refill with the recommended oil and check the oil level; refer to Checking and Adding Oil in the Assembly Section.
- Reinstall the oil filler cap/dipstick securely.
- Re-install the lower panel by placing the tabs in the tab slots, lifting the panel into place and secure with the three screws removed in step 2.

## Spark Plug

### ! WARNING

DO NOT check for a spark with the spark plug removed. DO NOT crank the engine with the spark plug removed.

### ! WARNING

If the engine has been running, the muffler will be very hot. Be careful not to touch the muffler.

The spark plug should be checked every 25 hours and changed once a season or every 100 hours. To ensure proper engine operation, the spark plug must also be properly gapped and free of deposits.

- Remove the lower panel as instructed in the Changing Engine Oil section. Refer to Figure 13.
- Remove the spark plug boot and use a spark plug wrench to remove the plug, see Figure 15.

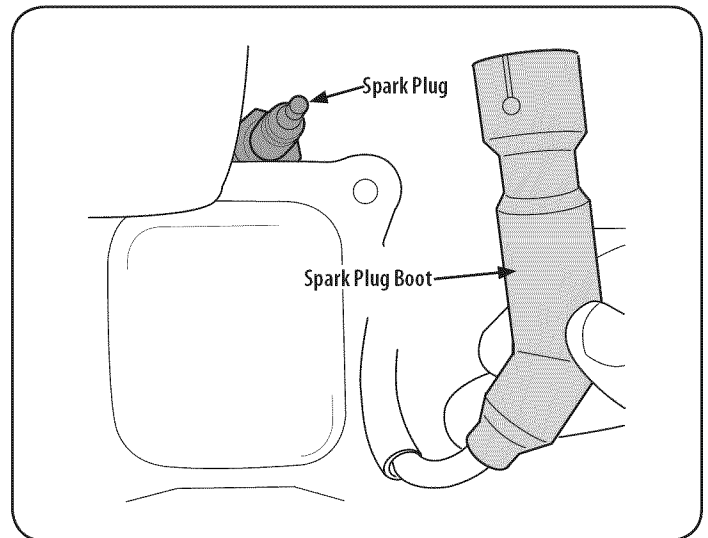


Figure 15

- Visually inspect the spark plug. Discard the spark plug if there is any apparent wear, or if the insulator is cracked or chipped. Clean the spark plug with a wire brush if it is to be reused.

**NOTE:** A F6RTC spark plug must be used for replacement. Visit a Sears Parts & Repair Center or call 1-888-331-4569 and ask for replacement spark plug #951-10292.

- Re-install the lower panel.

# SERVICE AND MAINTENANCE

5. Measure the plug gap with a feeler gauge. Correct as necessary by bending the side electrode, see Figure 16. The gap should be set to .02-.03 inches (0.60-0.80 mm).

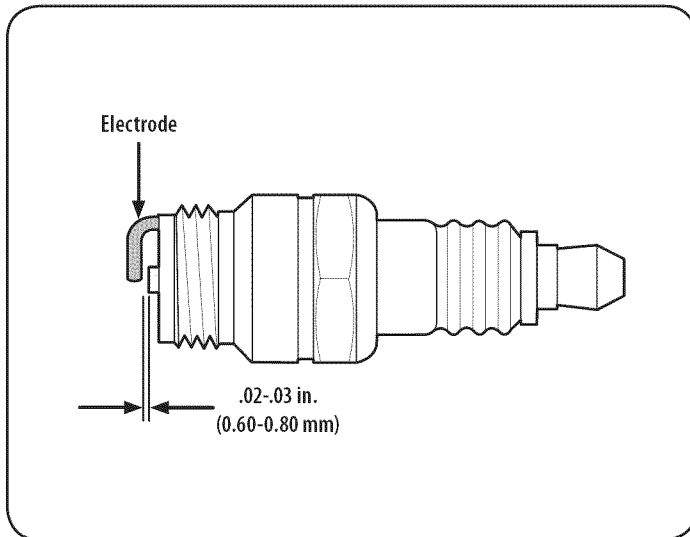


Figure 16

6. Check that the spark plug washer is in good condition and thread the spark plug in by hand to prevent cross-threading.
7. After the spark plug is seated, tighten with a spark plug wrench to compress the washer.

**NOTE:** When installing a new spark plug, tighten 1/2-turn after the spark plug seats to compress the washer. When reinstalling a used spark plug, tighten 1/8- to 1/4-turn after the spark plug seats to compress the washer.

## CAUTION

The spark plug must be tightened securely. A loose spark plug can become very hot and can damage the engine.

## Cleaning the Engine

If the engine has been running, allow it to cool for at least half an hour before cleaning. Periodically remove dirt build-up from engine. Before servicing the engine, remove the carburetor cover and/or blower housing. Discard the dirt and debris from the following areas:

## CAUTION

Do not spray the engine with water to clean it because the water could contaminate the fuel. Using a garden hose or pressure washing equipment can also force water into the muffler opening. Water that passes through the muffler can enter the cylinder and cause damage.

- Cooling Fins
- Air Intake Screen or Recoil Starter/Flywheel Guard Areas
- Spark Plug Connection
- Levers
- Linkage Area
- Guards
- Carburetor
- Engine Head

Removing debris will insure adequate cooling, correct engine speed and reduce the risk of fire.

## WARNING

Accumulation of debris around the muffler could cause a fire. Inspect and clean before every use.

## Lubrication

Lubricate the pivot points on the control handle and the extension spring at the end of the control cable with a light oil once every season and before the snow thrower is put into storage at the end of the season.

## Adjustments

### Shave Plate

To check the adjustment of the shave plate, place the machine on a level surface. The wheels, shave plate and auger paddles should all contact the level surface. Note that if the shave plate is adjusted too high, snow may blow under the auger housing. If the shave plate wears out excessively, or the snow thrower does not self-propel, the shave plate may be too low and needs to be adjusted.

**NOTE:** On new snow throwers or machines with a new shave plate installed, the auger paddles may be slightly off the ground.

To adjust the shave plate proceed as follows:

1. Run the snow thrower until the fuel tank is empty.
2. Pull the starter cord until resistance is felt. Then tip the snow thrower back until it rests on the handles. To ensure that the snow thrower does not tip forward, it may be necessary to secure the handle to the ground with a block or other object.
3. Loosen the four flange lock nuts and carriage bolts which secure the shave plate to the housing. See Figure 17. Move the shave plate to the desired position and retighten the nuts and bolts securely.

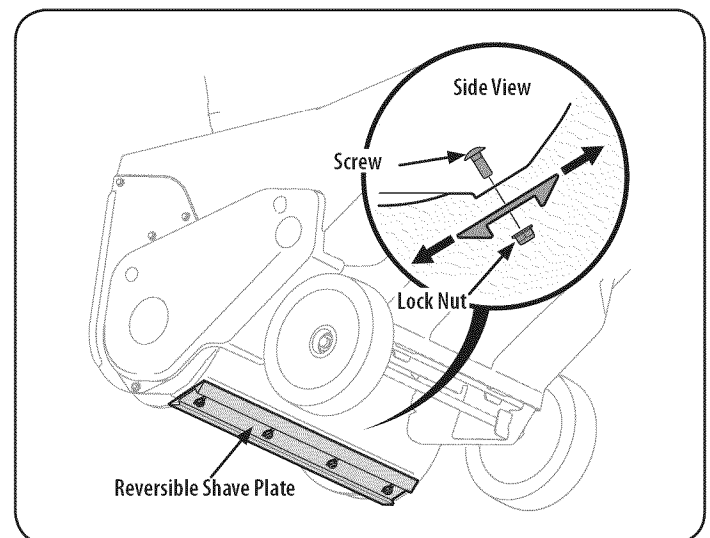


Figure 17

4. Tip the snow thrower back to the operating position and pull the starter handle a few times to see if it is difficult to pull.

# SERVICE AND MAINTENANCE

5. If the starter is difficult to pull, remove the spark plug and pull the handle several times to ensure that any oil trapped in the engine head is removed.

## CAUTION

Oil may come out of the spark plug hole when it is removed and the starter handle is pulled.

6. Inspect the spark plug. If it is wet, clean off any oil before re-installing.

### Control Cable

As a result of both the control cable and the auger drive belt stretching due to wear, periodic adjustments may be necessary. If the auger seems to hesitate when rotating, proceed as follows:

The upper hole in the control handle provides for an adjustment in cable tension. To adjust, disconnect the end of control cable from the bottom hole in the control handle and reinsert it in the upper hole. Insert the cable from the outside as shown in Figure 18.

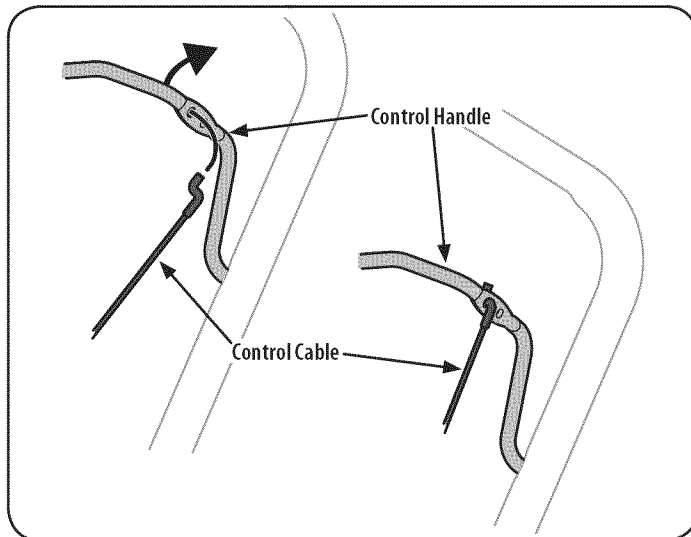


Figure 18

Test the snow thrower to see if there is a noticeable difference. If after the adjustment to the control cable the auger still hesitates when rotating, see Belt Replacement for instructions on replacing the belt.

### Chute Assembly

Refer to the Assembly section for instructions on adjusting the chute assembly.

### Auger Drive Belt Replacement

1. Run the snow thrower until the fuel tank is empty.
2. Pull the recoil starter handle until resistance is felt. Then tip the snow thrower back until it rests on the handles.
3. Slide a board up through the auger and through the chute to secure the auger in place.
4. Remove the belt cover by removing the three hex washer screws and one hex lock screw that secure it to the frame. See Figure 19.

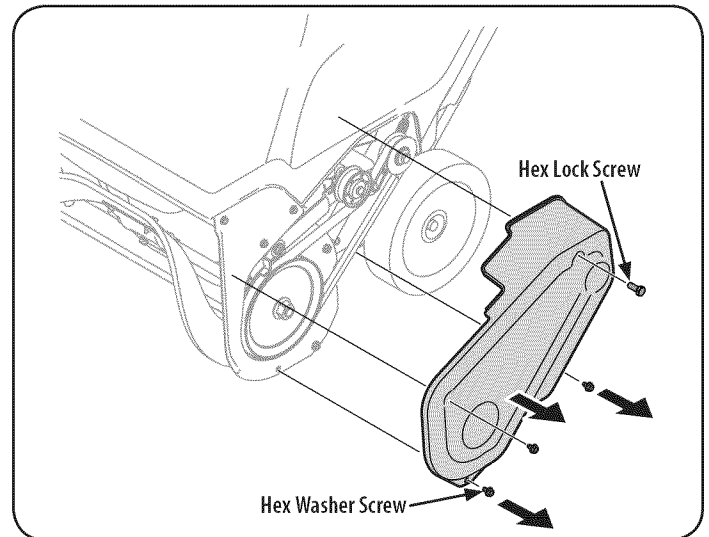


Figure 19

5. Remove the flange nut that secures the auger pulley to the auger shaft. See Figure 20.

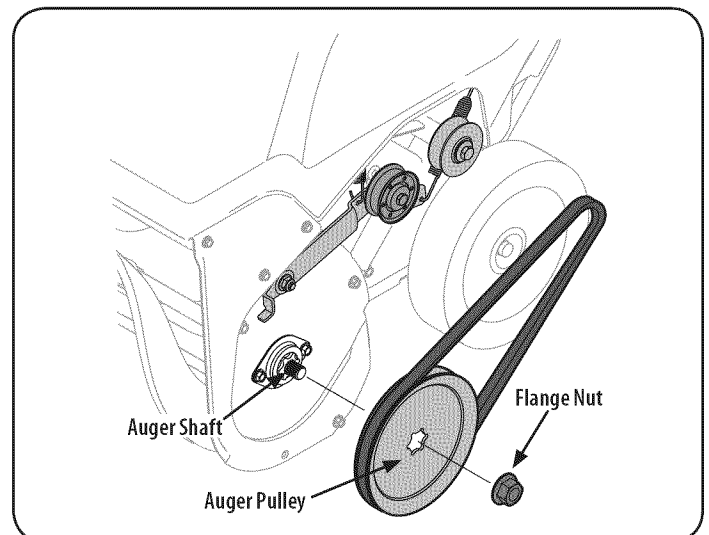


Figure 20

6. Remove the auger pulley and the belt.



# SERVICE AND MAINTENANCE

To replace the belt follow these instructions and refer to Figure 21:

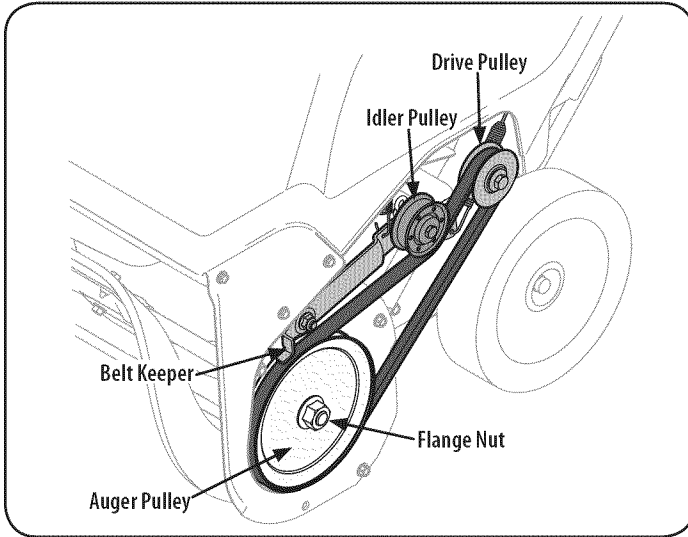


Figure 21

1. Route the belt around the drive pulley and under the idler pulley.
2. Route the end of the belt around the auger pulley and slide the pulley back on to the auger shaft. It may be necessary to push down on the idler pulley to get the auger pulley under the belt keeper.
3. Replace the flange nut and tighten securely.
4. Reinstall the belt cover removed earlier.
5. Remove the board from the auger and chute.

## Replacing Auger Paddles

The snow thrower auger's rubber paddles are subject to wear and should be replaced if any signs of excessive wear are present.



Do NOT allow the auger's rubber paddles to wear to the point where portions of the metal auger itself can come in contact with the pavement. Doing so can result in serious damage to your snow thrower.

To change the rubber paddles, proceed as follows and refer to Figure 22:

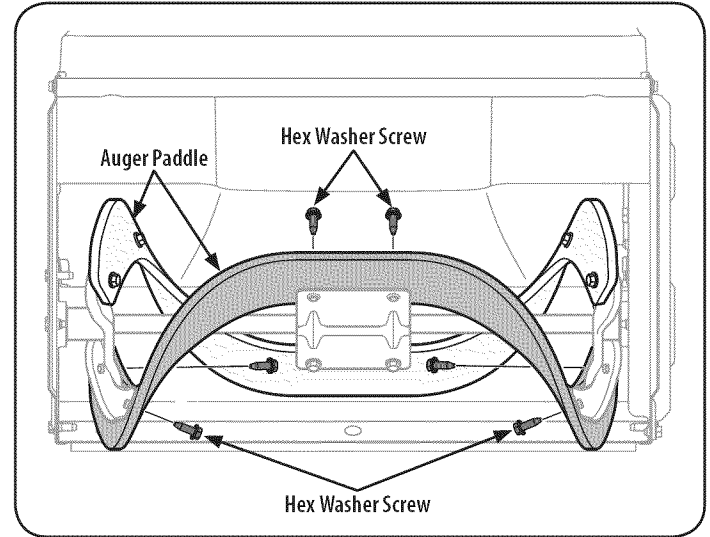


Figure 22

1. Run the snow thrower until the fuel tank is empty.
2. Pull the recoil starter handle until resistance is felt. Then tip the snow thrower back until it rests on the handles.
3. Remove the existing rubber paddles by unthreading the hex washer screws which secure them to the auger. See Figure 22.  
**NOTE:** The auger paddles should be replaced one-at-a-time so that the auger still attached can be used as an example for positioning and re-installing the new auger.
4. Secure the replacement rubber paddles to the auger using the hardware removed earlier.

To obtain a full auger replacement kit including rubber paddles and hex washer screws, may be obtained through Sears Parts & Repair or by calling 1-888-331-4569. Ask for part 753-06469.

## Replacing Shave Plate

The shave plate is attached to the bottom of the auger housing and is subject to wear. It should be checked periodically. There are two wearing edges and the shave plate can be reversed.

1. Run the snow thrower until the fuel tank is empty.
2. Pull the recoil starter handle until resistance is felt. Then tip the snow thrower back until it rests on the handles.
3. Remove the four carriage bolts and flange lock nuts which attach it to the snow thrower housing.
4. Reverse the existing shave plate or install a new one, making sure the new shave plate and the heads of the carriage bolts are on the inside of the housing.
5. Adjust the shave plate as instructed on page 15.
6. Tighten securely once adjusted.

A new shave plate may be obtained through Sears Parts & Repair or by calling 1-888-331-4569. Ask for part #731-07667.

# OFF-SEASON STORAGE

If the snow thrower will not be used for 30 days or longer, or if it is the end of the snow season when the last possibility of snow is gone, the equipment needs to be stored properly. Follow storage instructions below to ensure top performance from the snow thrower for many more years.

## Preparing the engine

Engines stored over 30 days need to be drained of fuel to prevent deterioration and gum from forming in the fuel system or on essential carburetor parts. If the gasoline in your engine deteriorates during storage, you may need to have the carburetor, and other fuel system components, serviced or replaced.

1. Remove all fuel from the tank by running the engine until it stops.
2. Change the engine oil.
3. Remove the spark plug and pour approximately 1 oz. (30 ml) of clean engine oil into the cylinder. Pull the recoil starter several times to distribute the oil, and reinstall the spark plug.
4. Clean the exterior of the engine by discarding dirt and debris from the following areas:

### CAUTION

Do not spray the engine with water to clean it because the water could contaminate the fuel. Using a garden hose or pressure washing equipment can also force water into the muffler opening. Water that passes through the muffler can enter the cylinder and cause damage.

- Cooling Fins
  - Air Intake Screen or Recoil Starter/Flywheel Guard Areas
  - Spark Plug Connection
  - Levers
  - Linkage Area
  - Guards
  - Carburetor
  - Engine Head
5. Store in a clean, dry and well ventilated area away from any appliance that operates with a flame or pilot light, such as a furnace, water heater or clothes dryer. Avoid any area with a spark producing electric motor, or where power tools are operated.

### WARNING

Never store snow thrower with fuel in tank indoors or in poorly ventilated areas, where fuel fumes may reach an open flame, spark or pilot light as on a furnace, water heater, clothes dryer or gas appliance.

6. If possible, avoid storage areas with high humidity.
7. Keep the engine level in storage. Tilting the engine can cause fuel or oil leakage.

## Preparing snow thrower

If the snow thrower will not be used for 30 days or longer, follow the instructions below.

1. Store the equipment in a clean, dry area.
2. Wipe down the snow thrower with a rag and remove any dirt or debris.
3. If storing the snow thrower in an unventilated area, rustproof the metal parts of the machine with a light oil or silicone coating.

# TROUBLESHOOTING

## ⚠ WARNING

Disconnect the spark plug wire and ground it against the engine to prevent unintended starting. Before performing any type of maintenance/service, disengage all controls and stop the engine. Wait until all moving parts have come to a complete stop. Always wear safety glasses during operation or while performing any adjustments or repairs.

This section addresses minor service issues. To locate the nearest Sears Service Center or to schedule service, call 1-888-331-4569.

Problem	Cause	Remedy
Engine fails to start	<ol style="list-style-type: none"> <li>1. Fuel tank empty, or stale fuel.</li> <li>2. Blocked fuel line.</li> <li>3. Key not inserted all the way.</li> <li>4. Spark plug wire disconnected.</li> <li>5. Faulty spark plug.</li> <li>6. Engine not primed.</li> <li>7. Engine flooded from excessive priming.</li> </ol>	<ol style="list-style-type: none"> <li>1. Fill tank with clean fresh gasoline.</li> <li>2. Contact a Sears Service Center.</li> <li>3. Insert key all the way.</li> <li>4. Connect wire to spark plug.</li> <li>5. Clean spark plug, readjust gap, or replace.</li> <li>6. Push the engine primer button five to seven times.</li> <li>7. Wait at least ten minutes before starting.</li> </ol>
Engine running erratically/ inconsistent RPM (hunting or surging)	<ol style="list-style-type: none"> <li>1. Engine running on choke.</li> <li>2. Fuel line blocked, or stale fuel.</li> <li>3. Water or dirt in fuel system.</li> <li>4. Carburetor out of adjustment.</li> <li>5. Over-governed engine</li> </ol>	<ol style="list-style-type: none"> <li>1. Move choke control to RUN position.</li> <li>2. Contact a Sears Service Center.</li> <li>3. Run engine until the fuel tank is empty. Refill with fresh fuel.</li> <li>4. Contact a Sears Service Center.</li> <li>5. Contact a Sears Service Center.</li> </ol>
Engine overheats	<ol style="list-style-type: none"> <li>1. Carburetor out of adjustment.</li> </ol>	<ol style="list-style-type: none"> <li>1. Contact a Sears Service Center.</li> </ol>
Loss of power	<ol style="list-style-type: none"> <li>1. Spark plug wire loose.</li> <li>2. Vent in gas cap plugged.</li> </ol>	<ol style="list-style-type: none"> <li>1. Firmly connect spark plug wire.</li> <li>2. Clear vent.</li> </ol>
Excessive vibration	<ol style="list-style-type: none"> <li>1. Loose parts or damaged auger.</li> </ol>	<ol style="list-style-type: none"> <li>1. Stop engine immediately and remove key. Check for possible damage. Tighten all bolts and nuts. Repair as needed. If problem persists, take snow thrower to a Sears Service Center.</li> </ol>
Snow thrower fails to self-propel	<ol style="list-style-type: none"> <li>1. Auger control cable out of adjustment.</li> <li>2. Auger drive belt loose or damaged.</li> </ol>	<ol style="list-style-type: none"> <li>1. Adjust auger control cable as shown in Service and Maintenance section.</li> <li>2. Replace auger drive belt.</li> </ol>
Auger continues to rotate	<ol style="list-style-type: none"> <li>1. Auger control cable out of adjustment.</li> </ol>	<ol style="list-style-type: none"> <li>1. Adjust auger control cable as shown in Service and Maintenance section.</li> </ol>
Unit fails to discharge snow	<ol style="list-style-type: none"> <li>1. Chute assembly clogged.</li> <li>2. Foreign object lodged in auger.</li> <li>3. Auger control cable out of adjustment.</li> <li>4. Auger belt loose or damaged.</li> </ol>	<ol style="list-style-type: none"> <li>1. Stop engine and disconnect spark plug wire. Clean chute and inside of auger housing with clean-out tool or stick.</li> <li>2. Stop engine immediately and disconnect the spark plug wire. Remove object from auger.</li> <li>3. Adjust auger control cable.</li> <li>4. Replace auger belt.</li> </ol>

**Sears Brands Management Corporation (Sears), the California Air Resources Board (CARB)  
and the United States Environmental Protection Agency (U.S. EPA)  
Emission Control System Warranty Statement (Owner's Defect Warranty Rights and Obligations)**

EMISSION CONTROL WARRANTY COVERAGE IS APPLICABLE TO CERTIFIED ENGINES PURCHASED IN CALIFORNIA IN 1995 AND THEREAFTER, WHICH ARE USED IN CALIFORNIA,

AND TO CERTIFIED MODEL YEAR 1997 AND LATER ENGINES WHICH ARE PURCHASED AND USED ELSEWHERE IN THE UNITED STATES (AND AFTER JANUARY 1, 2001 IN CANADA).

**California and United States Emission Control Defects Warranty Statement**

The California Air Resources Board (CARB), U.S. EPA and Sears are pleased to explain the Emission Control System Warranty on your model year 2000 and later small off-road engine (SORE). In California, new small off-road engines must be designed, built and equipped to meet the State's stringent anti-smog standards. Elsewhere in the United States, new non-road, spark-ignition engines certified for model year 1997 and later must meet similar standards set forth by the U.S. EPA. Sears must warrant the emission

control system on your engine for the periods of time listed below, provided there has been no abuse, neglect or improper maintenance of your small off-road engine. Your emission control system includes parts such as the carburetor, air cleaner, ignition system, muffler and catalytic converter. Also included may be connectors and other emission related assemblies. Where a warrantable condition exists, Sears will repair your small off-road engine at no cost to you including diagnosis, parts and labor.

**Sears Emission Control Defects Warranty Coverage**

Small off-road engines are warranted relative to emission control parts defects for a period of one year, subject to provisions set forth below. If any covered part on your

engine is defective, the part will be repaired or replaced by Sears.

**Owner's Warranty Responsibilities**

As the small off-road engine owner, you are responsible for the performance of the required maintenance listed in your Operating and Maintenance Instructions. Sears recommends that you retain all your receipts covering maintenance on your small off-road engine, but Sears cannot deny warranty solely for the lack of receipts or for your failure to ensure the performance of all scheduled maintenance. As the small off-road engine owner, you should however be aware that Sears may deny you warranty coverage if your small off-road engine or a part has failed due to abuse, neglect,

improper maintenance or unapproved modifications. You are responsible for presenting your small off-road engine to an Authorized Sears Service Dealer as soon as a problem exists. The undisputed warranty repairs should be completed in a reasonable amount of time, not to exceed 30 days. If you have any questions regarding your warranty rights and responsibilities, you should contact a Sears Service Representative at 1-800-469-4663. The emission warranty is a defects warranty. Defects are judged on normal engine performance. The warranty is not related to an in-use emission test.

**Sears Emission Control Defects Warranty Provisions**

The following are specific provisions relative to your Emission Control Defects Warranty Coverage. It is in addition to the Sears engine warranty for non-regulated engines found in the Operating and Maintenance Instructions.

**1. Warranted Parts**

Coverage under this warranty extends only to the parts listed below (the emission control systems parts) to the extent these parts were present on the engine purchased.

- a. Fuel Metering System
  - Cold start enrichment system
  - Carburetor and internal parts
  - Fuel Pump
- b. Air Induction System
  - Air cleaner
  - Intake manifold
- c. Ignition System
  - Spark plug(s)
  - Magneto ignition system
- d. Catalyst System
  - Catalytic converter
  - Exhaust manifold
  - Air injection system or pulse valve
- e. Miscellaneous Items Used in Above Systems
  - Vacuum, temperature, position, time sensitive valves and switches
  - Connectors and assemblies

**2. Length of Coverage**

Sears warrants to the initial owner and each subsequent purchaser that the Warranted Parts shall be free from defects in materials and workmanship which caused the failure of the Warranted Parts for a period of one year from the date the engine is delivered to a retail purchaser.

**3.**

**No Charge**

Repair or replacement of any Warranted Part will be performed at no charge to the owner, including diagnostic labor which leads to the determination that a Warranted Part is defective, if the diagnostic work is performed at an Authorized Sears Service Dealer. For emissions warranty service contact your nearest Authorized Sears Service Dealer as listed in the "Yellow Pages" under "Engines, Gasoline," "Gasoline Engines," "Lawn Mowers," or similar category.

**4.**

**Claims and Coverage Exclusions**

Warranty claims shall be filed in accordance with the provisions of the Sears Engine Warranty Policy. Warranty coverage shall be excluded for failures of Warranted Parts which are not original Sears parts or because of abuse, neglect or improper maintenance as set forth in the Sears Engine Warranty Policy. Sears is not liable to cover failures of Warranted Parts caused by the use of add-on, non-original, or modified parts.

**5.**

**Maintenance**

Any Warranted Part which is not scheduled for replacement as required maintenance or which is scheduled only for regular inspection to the effect of "repair or replace as necessary" shall be warranted as to defects for the warranty period. Any Warranted Part which is scheduled for replacement as required maintenance shall be warranted as to defects only for the period of time up to the first scheduled replacement for that part. Any replacement part that is equivalent in performance and durability may be used in the performance of any maintenance or repairs. The owner is responsible for the performance of all required maintenance, as defined in the Sears Operating and Maintenance Instructions.

**6.**

**Consequential Coverage**

Coverage hereunder shall extend to the failure of any engine components caused by the failure of any Warranted Part still under warranty.

In the USA and Canada, a 24 hour hot line, **1-800-469-4663**, has a menu of pre-recorded messages offering you engine maintenance information.

---

**FEDERAL and/or CALIFORNIA EMISSION CONTROL WARRANTY STATEMENT**  
**YOUR WARRANTY RIGHTS AND OBLIGATIONS**

MTD Consumer Group Inc, the United States Environmental Protection Agency (EPA), and for those products certified for sale in the state of California, the California Air Resources Board (CARB) are pleased to explain the evaporative emission control system (ECS) warranty on your 2014-2015 small off-road equipment (outdoor equipment). In California, new outdoor equipment must be designed, built and equipped to meet the State's stringent anti-smog standards (in other states, outdoor equipment must be designed, built, and equipped to meet the U.S. EPA small off-road spark ignition engine regulations). MTD Consumer Group Inc must warrant the ECS on your outdoor equipment for the period of time listed below, provided there has been no abuse, neglect, or improper maintenance of the outdoor equipment.

Your ECS may include parts such as fuel tanks, fuel lines, fuel caps, valves, canisters, filters, vapor hoses, clamps, connectors, and other associated emission-related components.

Where a warrantable condition exists, MTD Consumer Group Inc will repair your outdoor equipment at no cost to you including diagnosis, parts, and labor.

**MANUFACTURER'S WARRANTY COVERAGE:**

This emission control system is warranted for two years. If any emission-related part on your outdoor equipment is defective, the part will be repaired or replaced by MTD Consumer Group Inc.

**OWNER'S WARRANTY RESPONSIBILITIES:**

As the outdoor equipment owner, you are responsible for performance of the required maintenance listed in your owner's manual. MTD Consumer Group Inc recommends that you retain all receipts covering maintenance on your outdoor equipment, but MTD Consumer Group Inc cannot deny warranty solely for the lack of receipts.

As the outdoor equipment owner, you should however be aware that MTD Consumer Group Inc may deny you warranty coverage if your outdoor equipment or a part has failed due to abuse, neglect, improper maintenance, or unapproved modifications.

You are responsible for presenting your outdoor equipment to MTD Consumer Group Inc's distribution center or service center as soon as the problem exists. The warranty repairs should be completed in a reasonable amount of time, not to exceed 30 days. If you have a question regarding your warranty coverage, you should contact the MTD Consumer Group Inc Service Department at 1-800-800-7310 or at <http://support.mtdproducts.com>.

**GENERAL EMISSIONS WARRANTY COVERAGE:**

MTD Consumer Group Inc warrants to the ultimate purchaser and each subsequent purchaser that the outdoor equipment is: (1) designed, built, and equipped so as to conform with all applicable regulations; and (2) free from defects in materials and workmanship that cause the failure of a warranted part for a period of two years.

The warranty period begins on the date the outdoor equipment is delivered to an ultimate purchaser or first placed into service.

Subject to certain conditions and exclusions as stated below, the warranty on emission-related parts is as follows:

1. Any warranted part that is not scheduled for replacement as required maintenance in the written instructions supplied is warranted for the warranty period stated above. If the part fails during the period of warranty coverage, the part will be repaired or replaced by MTD Consumer Group Inc according to subsection (4) below. Any such part repaired or replaced under warranty will be warranted for the remainder of the period.
  2. Any warranted part that is scheduled only for regular inspection in the written instructions supplied is warranted for the warranty period stated above. Any such part repaired or replaced under warranty will be warranted for the remaining warranty period.
  3. Any warranted part that is scheduled for replacement as required maintenance in the written instructions supplied is warranted for the period of time before the first scheduled replacement date for that part. If the part fails before the first scheduled replacement, the part will be repaired or replaced by MTD Consumer Group Inc according to subsection (4) below. Any such part repaired or replaced under warranty will be warranted for the remainder of the period prior to the first scheduled replacement point for the part.
  4. Repair or replacement of any warranted part under the warranty provisions herein must be performed at a warranty station at no charge to the owner.
  5. Notwithstanding the provisions herein, warranty services or repairs will be provided at all of our distribution centers that are franchised to service the subject engines or equipment.
  6. The outdoor equipment owner will not be charged for diagnostic labor that is directly associated with diagnosis of a defective, emission-related warranted part, provided that such diagnostic work is performed at a warranty station.
  7. MTD Consumer Group Inc is liable for damages to other engine or equipment components proximately caused by a failure under warranty of any warranted part.
  8. Throughout the off-road engine and equipment warranty period stated above, MTD Consumer Group Inc will maintain a supply of warranted parts sufficient to meet the expected demand for such parts.
  9. Any replacement part may be used in the performance of any warranty maintenance or repairs and must be provided without charge to the owner. Such use will not reduce the warranty obligations of MTD Consumer Group Inc.
  10. Add-on or modified parts that are not exempted by the Air Resources Board may not be used. The use of any non-exempted add-on or modified parts by the ultimate purchaser will be grounds for disallowing a warranty claim. MTD Consumer Group Inc will not be liable to warrant failures of warranted parts caused by the use of a non-exempted add-on or modified part.
-

---

## WARRANTED PARTS:

The repair or replacement of any warranted part otherwise eligible for warranty coverage may be excluded from such warranty coverage if MTD Consumer Group Inc demonstrates that the outdoor equipment has been abused, neglected, or improperly maintained, and that such abuse, neglect, or improper maintenance was the direct cause of the need for repair or replacement of the part. That notwithstanding, any adjustment of a component that has a factory installed, and properly operating, adjustment limiting device is still eligible for warranty coverage. Further, the coverage under this warranty extends only to parts that were present on the off-road equipment purchased.

The following emission warranty parts are covered (if applicable):

1. Fuel Metering System
  - Fuel pump
  - Fuel tank
2. Evaporative Control
  - Fuel hose
  - Fuel hose clamps
  - Tethered fuel cap
  - Carbon canister
  - Vapor lines

## REPAIR PROTECTION AGREEMENT

*Congratulations on making a smart purchase. Your new Craftsman® product is designed and manufactured for years of dependable operation. But like all products, it may require repair from time to time. That's when having a Repair Protection Agreement can save you money and aggravation.*

### **Here's what the Repair Protection Agreement\* includes:**

- ☑ **Expert service** by our 10,000 professional repair specialists
- ☑ **Unlimited service and no charge** for parts and labor on all covered repairs
- ☑ **Product replacement** up to \$1500 if your covered product can't be fixed
- ☑ **Discount of 25%** from regular price of service and related installed parts not covered by the agreement; also, 25% off regular price of preventive maintenance check
- ☑ **Fast help by phone** – we call it Rapid Resolution – phone support from a Sears representative. Think of us as a “talking owner's manual.”

Once you purchase the Repair Protection Agreement, a simple phone call is all that it takes for you to schedule service. You can call anytime day or night, or schedule a service appointment online.

The Repair Protection Agreement is a risk-free purchase. If you cancel for any reason during the product warranty period, we will provide a full refund. Or, a prorated refund anytime after the product warranty period expires. Purchase your Repair Protection Agreement today!

**Some limitations and exclusions apply. For prices and additional information in the U.S.A. call 1-800-827-6655.**

**\*Coverage in Canada varies on some items. For full details call Sears Canada at 1-800-361-6665.**

### **Sears Installation Service**

*For Sears professional installation of home appliances, garage door openers, water heaters, and other major home items, in the U.S.A. call 1-888-331-4569, and in Canada call 1-800-469-4663.*

## ÍNDICE

Declaración de garantía .....	23	Almacenamiento fuera de temporada .....	39
Medidas de seguridad .....	24	Solución de problemas .....	40
Montaje .....	28	Acuerdo de protección para reparaciones .....	44
Funcionamiento .....	31	Números de servicio .....	Contratapa
Servicio y Mantenimiento .....	34		

## DECLARACIÓN DE GARANTÍA

### CRAFTSMAN DOS AÑOS DE GARANTÍA TOTAL

Por DOS AÑOS desde la fecha de venta, este producto está garantizado contra defectos de materiales o mano de obra.

CON EL COMPROBANTE DE VENTA, un producto defectuoso recibirá la reparación o sustitución gratuita, a opción del vendedor.

Para obtener información detallada cobertura de la garantía para obtener la reparación o sustitución gratuita, visite el sitio web: [www.craftsman.com/warranty](http://www.craftsman.com/warranty)

Esta garantía cubre únicamente defectos de material y mano de obra. La cobertura de garantía no incluye:

- Componentes desechables que pueden gastarse por el uso normal dentro del periodo de garantía , incluyendo pero no limitado a, sinfines , paletas de barrena , cortadores de deriva , zapatas antideslizantes , afeitarse placa , pasadores de seguridad , bujías , filtro de aire , correas y filtros de aceite .
- Servicio de mantenimiento estandar , cambios de aceite o puestas a punto .
- El reemplazo o la reparación de neumáticos causada por pinchazos con objetos externos, como clavos, espinas , tocones o vidrio.
- Tire o rueda de repuesto o reparación resultantes del desgaste normal, accidente, operación o mantenimiento inadecuado .
- Reparaciones necesarias debido al abuso del operador , incluyendo pero no limitado a los daños causados por el exceso de velocidad del motor, o del impacto de objetos que tuerzan el marco , eje de la barrena , etc
- Las reparaciones necesarias debido a la negligencia del operador , incluyendo pero no limitado a , daños eléctricos y mecánicos causados por el almacenamiento inadecuado , falta de uso del grado y la cantidad de aceite de motor , o por no mantener el equipo de acuerdo con las instrucciones contenidas en el manual del operador .
- Motor (sistema de combustible) de limpieza o reparaciones causadas por combustible determinados a ser contaminado u oxidado (viejo). En general, el combustible debe usarse dentro de los 30 días siguientes a su fecha de compra.
- Deterioro y desgaste normales de las terminaciones exteriores , o reemplazo de las etiquetas del producto.

Esta garantía no es válida si el producto se utiliza nunca, mientras que la prestación de servicios comerciales o si se alquila a otra persona.

Esta garantía le otorga derechos legales específicos, y usted también puede tener otros derechos que varían de estado a estado.

Sears Brands Management Corporation, Hoffman Estates, IL 60179

## ESPECIFICACIONES DEL PRODUCTO

Tipo de aceite del motor:	SAE 5W-30
Capacidad de aceite del motor:	20 onzas
Gasolina:	Gasolina sin plomo
Capacidad de combustible:	2 Cuartos de galón
Bujías:	F6RTC
Separación de las bujías:	0.020"-0.030"

## N.º DE MODELO

Número de modelo \_\_\_\_\_

Número de serie \_\_\_\_\_

Fecha de compra \_\_\_\_\_

Registre arriba el número del modelo, el número de serie y la fecha de compra



# INSTRUCCIONES DE SEGURIDAD

## ⚠️ ADVERTENCIA

La presencia de este símbolo indica que se trata de instrucciones de seguridad importantes que debe respetar para evitar poner en riesgo su seguridad personal y/o material y la de los demás. Lea y cumpla todas las instrucciones de este manual antes de intentar operar esta máquina. Si no respeta estas instrucciones puede provocar lesiones personales. Cuando vea este símbolo, ¡TENGA EN CUENTA LA ADVERTENCIA!

## ⚠️ ADVERTENCIA

### PROPOSICIÓN 65 DE CALIFORNIA

El escape del motor de este producto, algunos de sus componentes y algunos componentes del vehículo contienen o liberan sustancias químicas que el estado de California considera que pueden producir cáncer, defectos de nacimiento u otros problemas reproductivos.

## ⚠️ PELIGRO

Esta máquina está diseñada para ser utilizada respetando las normas de seguridad contenidas en este manual. Al igual que con cualquier tipo de equipo motorizado, un descuido o error por parte del operador puede producir lesiones graves. Esta máquina es capaz de amputar dedos, manos y pies y de arrojar residuos. De no respetar las instrucciones de seguridad siguientes se pueden producir lesiones graves o la muerte.

## ⚠️ ADVERTENCIA

**Su Responsabilidad** — Esta máquina motorizada sólo pueden usarla las personas que lean, comprendan y respeten las advertencias e instrucciones que aparecen en este manual y en la máquina.

**¡GUARDE ESTAS INSTRUCCIONES!**

## CAPACITACIÓN

- Lea, entienda y cumpla todas las instrucciones incluidas en la máquina y en el(los) manual(es) antes de intentar realizar el montaje de la unidad y utilizarla. Si no lo hace, se pueden provocar lesiones personales al operador o a los transeúntes. Guarde este manual en un lugar seguro para consultas futuras y periódicas, así como para solicitar repuestos. Ante cualquier duda, llame al 1-800-4MY-HOME.
- Familiarícese con todos los controles y con el uso adecuado de los mismos. Sepa cómo detener la máquina y desenganchar los controles rápidamente.
- No permita nunca que los niños menores de 14 años utilicen esta máquina. Los niños de 14 años en adelante deben leer y entender las instrucciones de operación y normas de seguridad contenidas en este manual y en la máquina y deben ser entrenados y supervisados por un adulto.
- Nunca permita que los adultos operen esta máquina sin recibir antes la instrucción apropiada.
- Los objetos arrojados por la máquina pueden causar lesiones graves. Planifique el patrón en el que va a ir arrojando nieve para evitar que la descarga de material se realice hacia los caminos, los observadores, etc.
- Mantenga a los observadores, mascotas y niños por lo menos a 75 pies de la máquina siempre que esté funcionando. Detenga la máquina si alguien se acerca.
- Sea precavido para evitar patinarse o caerse especialmente cuando opera la máquina en marcha atrás.

## PREPARATIVOS

- Inspeccione minuciosamente el área donde utilizará el equipo. Saque todos los felpudos, periódicos, trineos, tablas, cables y otros objetos extraños con los que podría tropezar o que podrían ser arrojados por la barrena/impulsor.
- Para protegerse los ojos utilice siempre anteojos o antiparras de seguridad mientras opera la máquina o mientras la ajusta o repara. Los objetos arrojados que rebotan pueden causar lesiones oculares graves.
- No opere la máquina sin la vestimenta adecuada para estar al aire libre en invierno. No utilice alhajas, bufandas largas u otras prendas sueltas que podrían enredarse en las partes móviles. Utilice un calzado especial para superficies resbaladizas.
- Use un prolongador y un tomacorriente de tres cables con conexión a tierra para todas las máquinas con motores de encendido eléctrico.
- Desengrane todas las palancas de control antes de arrancar el motor.
- Nunca intente realizar ajustes mientras el motor está en marcha excepto en los casos específicamente recomendados en el manual del operador.
- Deje que el motor y la máquina se adapten a la temperatura exterior antes de comenzar a sacar la nieve.

# INSTRUCCIONES DE SEGURIDAD

## Manejo seguro de la gasolina:

Para evitar lesiones personales o daños materiales sea sumamente cuidadoso al manipular la gasolina. La gasolina es sumamente inflamable y sus vapores pueden causar explosiones. Si se derrama gasolina encima o sobre la ropa se puede lesionar gravemente ya que se puede encender. Lávese la piel y cámbiese de ropa de inmediato.

- Utilice sólo los recipientes para gasolina autorizados.
- Apague todos los cigarrillos, cigarros, pipas y otras fuentes de combustión.
- Nunca cargue combustible en la máquina en un espacio cerrado.
- Nunca saque la tapa del combustible ni agregue combustible mientras el motor está caliente o en marcha.
- Deje que el motor se enfríe por lo menos dos minutos antes de volver a cargar combustible.
- Nunca llene en exceso el depósito de combustible. Llene el tanque a no más de ½ pulgada por debajo de la base del cuello de llenado dejando espacio para la dilatación del combustible.
- Vuelva a colocar la tapa del combustible y ajústela bien.
- Limpie el combustible que se haya derramado sobre el motor y el equipo. Traslade la máquina a otra zona. Espere 5 minutos antes de encender el motor.
- Nunca almacene la máquina o el recipiente de combustible en un espacio cerrado donde haya fuego, chispas o luz piloto (por ejemplo, hornos, calentadores de agua, calefactores, secadores de ropa, etc.).
- Deje que la máquina se enfríe por lo menos 5 minutos antes de guardarla.
- Nunca llene los recipientes en el interior de un vehículo o camión o caja de remolque con recubrimiento plástico. Coloque siempre los recipientes en el piso y lejos del vehículo antes de llenarlos.
- Si es posible, retire el equipo a gasolina del camión o remolque y llénelo en el suelo. Si esto no es posible, llene el equipo en un remolque con un recipiente portátil, en vez de hacerlo con una boquilla dispensadora de gasolina.
- Mantenga la boquilla de llenado en contacto con el borde del depósito de combustible o con la abertura del recipiente en todo momento, hasta terminar la carga. No utilice un dispositivo de boquilla de apertura/cierre.

## FUNCIONAMIENTO

- No ponga las manos o los pies cerca de las piezas giratorias, en la caja de la barrena / impulsor o en el montaje del canal de descarga. El contacto con las piezas giratorias puede resultar en la amputación de manos o pies.
- La palanca de control de la barrena / impulsor es un dispositivo de seguridad. Nunca evite su funcionamiento. De hacerlo la operación de la máquina es riesgosa y puede ocasionar lesiones.
- Las palancas de control deben funcionar bien en ambas direcciones y regresar automáticamente a la posición de desengrane cuando se las suelta.
- Nunca opere la máquina si falta un montaje del canal o si el mismo está dañado. Mantenga todos los dispositivos de seguridad en su lugar y en funcionamiento.
- Nunca encienda el motor en espacios cerrados o en una zona con poca ventilación. El escape del motor contiene monóxido de carbono, un gas inodoro y letal.
- No utilice la máquina bajo la influencia del alcohol o las drogas.
- El silenciador y el motor se calientan y pueden causar quemaduras. No los toque. Mantenga a los niños alejados.

- Sea sumamente precavido cuando opere la máquina sobre una superficie con grava o cuando la cruce. Manténgase alerta por si se presentan peligros ocultos o tránsito.
- Tenga cuidado cuando cambie de dirección o cuando opere la máquina en pendientes.
- Planifique el patrón en el que va a ir arrojando nieve para evitar que la descarga de material se produzca hacia las ventanas, las paredes, los automóviles, etc. y evitar así posibles daños materiales o lesiones producidas por los rebotes.
- Nunca dirija la descarga hacia los niños, los observadores o las mascotas ni deje que nadie se pare delante de la máquina.
- No sobrecargue la capacidad de la máquina tratando de sacar la nieve muy rápidamente.
- Nunca opere esta máquina sin buena visibilidad o iluminación. Siempre debe estar seguro de que está bien afirmado y sujetando firmemente las manijas. Camine, nunca corra.
- Corte la corriente a la barrena/impulsor cuando transporte la máquina o cuando la misma no está en uso.
- Nunca opere la máquina a alta velocidad de desplazamiento sobre superficies resbaladizas. Mire hacia abajo y hacia atrás y tenga cuidado cuando vaya marcha atrás.
- Si la máquina comenzara a vibrar de manera anormal, detenga el motor, desconecte el cable de la bujía y póngala de manera que haga masa contra el motor. Inspeccione la máquina minuciosamente para ver si está dañada. Repare todos los daños antes de encender y operar la máquina.
- Desengrane todas las palancas de control y detenga el motor antes de dejar la posición de operación (detrás de las manijas). Espere a que la barrena/impulsor se detenga por completo antes de destapar el montaje del canal o realizar ajustes e inspecciones.
- Nunca ponga las manos en las aberturas de descarga o de recolección. No destape el montaje del canal mientras el motor está en funcionamiento. Antes de destaparlo, apague el motor y permanezca detrás de las barras de control hasta que todas las partes móviles se hayan detenido.
- Use sólo uniones y accesorios aprobados por el fabricante (por ejemplo, pesas para las ruedas, cadenas para los neumáticos, cabinas, etc.).
- Para encender el motor, jale de la cuerda lentamente hasta que sienta resistencia, luego jale rápidamente. El repliegue rápido de la cuerda de arranque (tensión de retroceso) le jalará la mano y el brazo hacia el motor más rápido de lo que usted puede soltar. Puede llegar a causar huesos rotos, fracturas, hematomas y esguinces.
- Llame al 1-800-4MY-HOME para la ubicación más cercana de Sears Parts & Service Center de reparación.

## DESPEJE DE UN CANAL DE DESCARGA OBSTRUIDO

El contacto de las manos con el impulsor rotatorio que está dentro del canal de descarga es la causa más común de lesiones asociadas con las máquinas quitanieve. Nunca use su mano para limpiar el canal de descarga.

Para despejar el canal:

1. ¡APAGUE EL MOTOR!
2. Espere 10 segundos para estar seguro de que las cuchillas del motor han dejado de rotar.
3. Utilice siempre una herramienta de limpieza, no use las manos.

## MANTENIMIENTO Y ALMACENAMIENTO

- Nunca altere los dispositivos de seguridad. Controle periódicamente que funcionen correctamente. Remítase a las secciones de mantenimiento y ajuste de este manual.
- Antes de realizar la limpieza, reparar o revisar la máquina, desengrane todas las palancas de control y detenga el motor. Espere a que la barrena/impulsor se detenga por completo. Desconecte el cable de la bujía y póngalo haciendo masa contra el motor para evitar que se encienda accidentalmente.
- Controle frecuentemente que todos los pernos y tornillos estén bien ajustados para comprobar que la máquina se encuentra en condiciones seguras de funcionamiento. Además, haga una inspección visual de la máquina para verificar si está dañada.
- No cambie la configuración del regulador del motor ni acelere demasiado el mismo. El regulador del motor controla la velocidad máxima de funcionamiento seguro del motor.
- Quitanieves afeitar placas y patines están sujetos a desgaste y daños. Para su protección de seguridad, verifique frecuentemente todos los componentes y con (OEM) del fabricante del equipo original sólo aparece en las páginas de piezas de este manual del operador. El uso de piezas que no cumplen con las especificaciones del equipo original puede conducir a la mala ejecución y la seguridad de compromiso!
- Revise las palancas de control periódicamente para verificar que engranen y desengranen adecuadamente y ajústelos si es necesario. Consulte la sección de ajustes en este manual del operador para obtener instrucciones.
- Mantenga o reemplace las etiquetas de seguridad y de instrucciones según sea necesario.
- Observe la reglamentación y las normas respecto a la eliminación correcta de gasolina, aceite, etc. para proteger el medio ambiente.
- Antes de almacenar la máquina enciéndala unos minutos para sacar la nieve que haya quedado en la misma y para evitar así que se congele la barrena/impulsor.
- Nunca almacene la máquina o el recipiente de combustible en un espacio cerrado donde haya fuego, chispas o luz piloto como por ejemplo, calentadores de agua, hornos, secadores de ropa, etc.
- Consulte siempre el manual del operador para obtener instrucciones adecuadas para el almacenamiento fuera de temporada.
- Verifique frecuentemente la línea de combustible, el depósito, el tapón, y los accesorios buscando rajaduras o pérdidas. Reemplace de ser necesario.
- No dé arranque al motor si no está la bujía de encendido.
- Según la Comisión de Seguridad de Productos para el Consumidor de los Estados Unidos (CPSC) y la Agencia de Protección Ambiental de los Estados Unidos (EPA), este producto tiene una vida útil media de siete (7) años o 60 horas de funcionamiento. Al finalizar la vida útil media haga inspeccionar anualmente esta unidad por un distribuidor de servicio autorizado para cerciorarse de que todos los sistemas mecánicos y de seguridad funcionan correctamente y no tienen excesivo desgaste. Si no lo hace, pueden producirse accidentes, lesiones o la muerte.

## NO MODIFIQUE EL MOTOR

Para evitar lesiones graves o la muerte, no modifique el motor de ninguna manera. Si altera la configuración del regulador, el motor se puede desbocar y funcionar a velocidades que no son seguras. Nunca cambie la configuración de fábrica del regulador del motor.

## AVISO REFERIDO A EMISIONES

Los motores que están certificados y cumplen con las regulaciones de emisiones federales EPA y de California para SORE (Equipos pequeños todo terreno) están certificados para funcionar con gasolina sin plomo común y pueden incluir los siguientes sistemas de control de emisiones: Modificación de motor (EM), catalizador oxidante (OC), inyección de aire secundaria (SAI) y catalizador de tres vías (TWC) si están instalados.

## AMORTIGUADOR DE CHISPAS

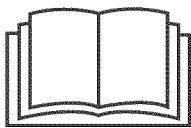







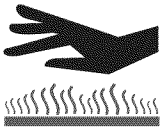
### ADVERTENCIA

**Esta máquina está equipada con un motor de combustión interno y no debe ser utilizada en o cerca de un terreno agreste cubierto por bosque, malezas o hierba excepto que el sistema de escape del motor esté equipado con un amortiguador de chispas que cumpla con las leyes locales o estatales correspondientes (en caso de existir)**

Si se utiliza un amortiguador de chispas el operador lo debe mantener en condiciones de uso adecuadas. En el Estado de California las medidas anteriormente mencionadas son exigidas por ley (Artículo 4442 del Código de Recursos Públicos de California). Es posible que existan leyes similares en otros estados. Las leyes federales se aplican en territorios federales. Un supresor de chispas para el silenciador está disponible a través de sus Sears mas cercano y reparación de centro de servicio, o llamando al 1-888-331-4569.

## SÍMBOLOS DE SEGURIDAD

En esta página se presentan y describen los símbolos de seguridad que pueden aparecer en este producto. Lea, entienda y cumpla todas las instrucciones incluidas en la máquina antes de intentar realizar el montaje de la unidad y utilizarla.

Símbolo	Descripción
	LEA LOS MANUALES DEL OPERADOR Lea, entienda y cumpla todas las instrucciones incluidas en los manuales antes de realizar el montaje de la unidad y utilizarla.
	ADVERTENCIA — CUCHILLAS GIRATORIAS Mientras la máquina está en funcionamiento mantenga las manos lejos de las aberturas de entrada y de descarga. En el interior hay cuchillas giratorias.
	ADVERTENCIA — CUCHILLAS GIRATORIAS Mientras la máquina está en funcionamiento mantenga las manos lejos de las aberturas de entrada y de descarga. En el interior hay cuchillas giratorias.
	ADVERTENCIA — BARRENA GIRATORIA No ponga las manos o los pies cerca de las piezas giratorias, en la caja de la barrena / impulsor o en el montaje del canal de descarga. El contacto con las piezas giratorias puede resultar en la amputación de manos o pies.
	ADVERTENCIA — ARROJA OBJETOS Esta máquina puede levantar y arrojar objetos lo cual puede causar lesiones personales graves.
	ADVERTENCIA — LA GASOLINA ES INFLAMABLE Deje que el motor se enfríe por lo menos dos minutos antes de volver a cargar combustible.
	ADVERTENCIA — MONÓXIDO DE CARBONO Nunca encienda el motor en espacios cerrados o en una zona con poca ventilación. El escape del motor contiene monóxido de carbono, un gas inodoro y letal.
	ADVERTENCIA — DESCARGAS ELÉCTRICAS No use el arranque eléctrico del motor bajo la lluvia.
	ADVERTENCIA — SUPERFICIE CALIENTE Las piezas del motor, especialmente el silenciador, se recalientan durante la operación. Deje que el motor y el silenciador se enfríen antes de tocarlos.



**¡ADVERTENCIA!** Su responsabilidad — Restrinja el uso de esta máquina motorizada a las personas que lean, comprendan y respeten las advertencias e instrucciones de este manual y en la máquina.

**¡GUARDE ESTAS INSTRUCCIONES!**

# MONTAJE

**NOTA:** Todas las referencias a los lados derecho o izquierdo de la máquina quitanieve se hacen observando la misma desde la posición del operador. En caso de que hubiese una excepción, se especificará claramente.

## Cómo Desembalar La Máquina Quitanieve

1. Abra la parte de arriba de la caja.
2. Corte las esquinas del frente de la caja y doble hacia abajo el frente.
3. Saque la máquina quitanieve de la caja. Asegúrese de no dañar el canal ni los cables que están conectados a él (se envía debajo de la cubierta en la parte posterior de la caja).

## Montaje

### Colocación de la barra de control superior

1. Extraiga las perillas de aletas y los pernos del carro de la parte de arriba de la manija inferior. Vea la Figura 1. No es necesario extraer el tornillo con reborde y la tuerca de seguridad con brida que están debajo de la perilla de aletas y el perno de carro.

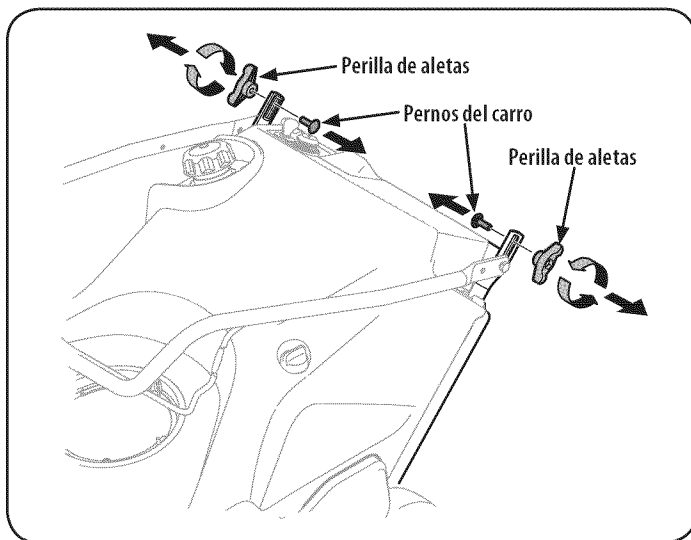


Figura 1

2. Gire la manija superior a la posición de funcionamiento. Asegúrese de no apretar los cables en el proceso. Vea la Figura 2.

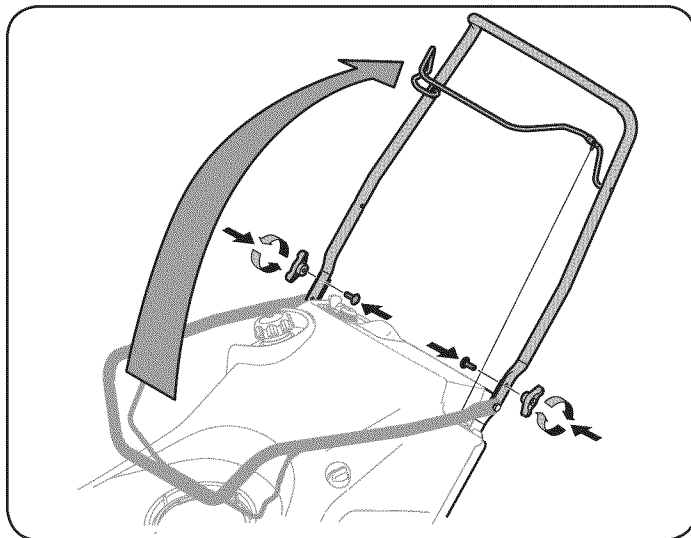


Figura 2

3. Ajuste los elementos de ferretería que extrajo previamente para sujetar la manija en su lugar. Vea la Figura 2.

### Instalación del canal

1. Coloque el conducto de la manija en la rampa inferior como se muestra en la Figura 3. Asegúrese de que el mango esté alineado en el canal de la tolva y las lengüetas encajen en su lugar.

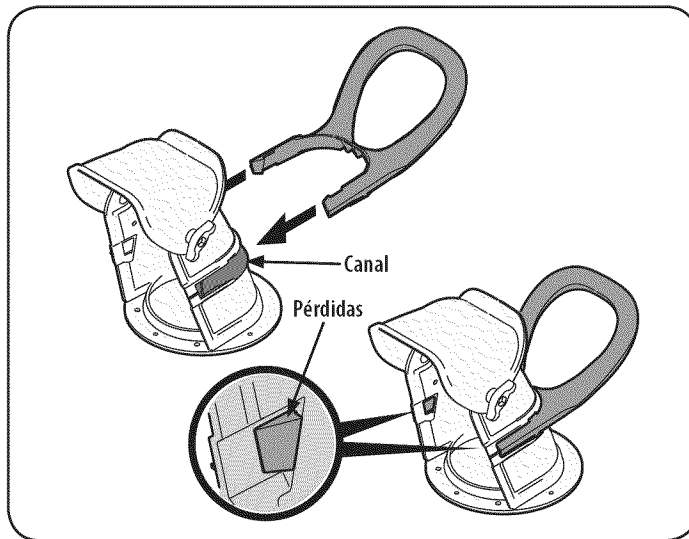


Figura 3

2. Extraiga los tornillos de la base del canal. Vea la Figura 4.

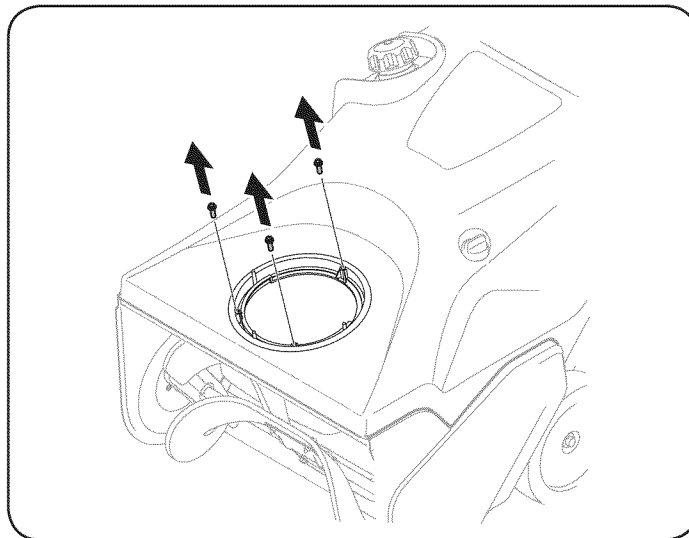


Figura 4

# MONTAJE

3. Alinee los orificios de la base del canal con los orificios del canal inferior y sujételo con los tornillos que extrajo anteriormente. Vea la Figura 5.

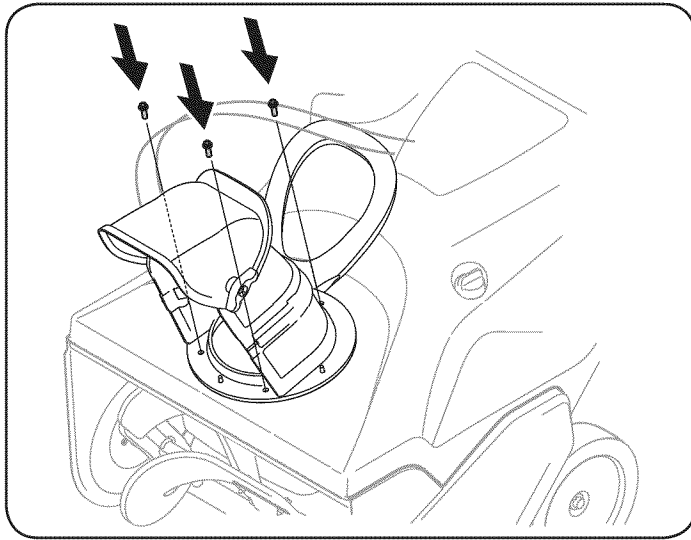


Figura 5

## Instalación de la manija del arrancador

1. Retire el perno y la manija de la bolsa de mando manual.
2. Coloque el perno de ojo y del mango en la manija superior como se muestra en la Figura 6. No apriete el hardware hasta que se lo indiquen.

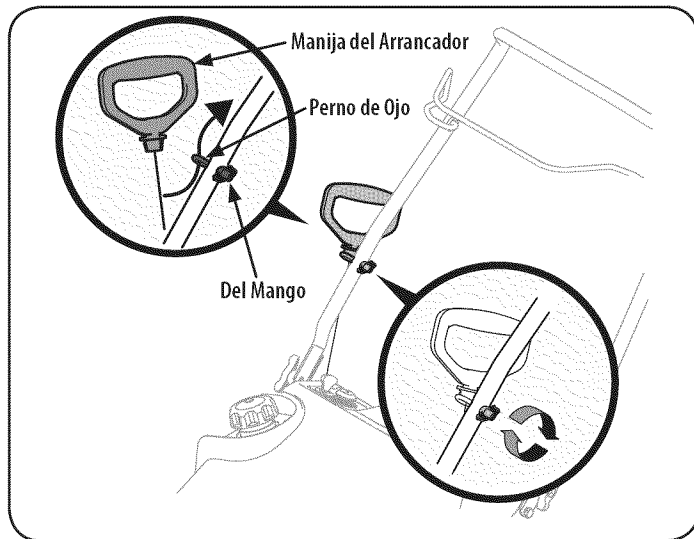


Figura 6

**NOTA:** La apertura del perno de ojo debe mirar hacia la parte posterior de la máquina quitanieves.

3. Tire suavemente de la manija de arranque manual hacia el perno de ojo.
4. Deslice el cable de arranque de arranque en la armella de la parte trasera de la máquina quitanieves. Vea la Figura 6.
5. Apriete firmemente el perno de ojo y del mango.

## Configuración

### Recomendaciones sobre el combustible

#### ⚠ PRECAUCIÓN

El funcionamiento del motor con el combustible E15 o E85, una mezcla de aceite con la gasolina, la gasolina sucia, o la gasolina de más de 30 días de edad que no ha sido aditivo estabilizador de combustible puede resultar en daños al carburador de su motor. Daños posteriores no estarían cubiertos por la garantía del fabricante.

Utilice gasolina para automóviles (sin plomo o bajo contenido de plomo para minimizar los depósitos en la cámara de combustión) con un mínimo de 87 octanos. Se puede usar gasolina con hasta un 10% de etanol (E10) o un 15% de MTBE (éter metílico terciario-butílico). Nunca use una mezcla de aceite y gasolina ni gasolina sucia. Evite que se introduzca suciedad, polvo o agua en el tanque de combustible.

#### **NO utilice gasolina E15 o E85.**

- Cargue combustible en un área bien ventilada y con el motor apagado. No fume ni permita llamas o chispas en el lugar donde se carga combustible o se almacena la gasolina.
- No llene en exceso el depósito de combustible. Después de cargar combustible, asegúrese de que el tapón del depósito esté bien cerrado y asegurado.
- Tenga cuidado de no derramar combustible al realizar la recarga. El combustible derramado o sus vapores se pueden incendiar. Si se derrama combustible, asegúrese de que el área esté seca antes de arrancar el motor.
- Evite el contacto repetido o prolongado con la piel y la inhalación de los vapores.

### Carga de combustible

#### ⚠ ADVERTENCIA

Tenga mucho cuidado al trabajar con gasolina. La gasolina es sumamente inflamable y sus vapores pueden causar explosiones. Nunca agregue combustible a la máquina en interiores ni mientras el motor está caliente o en funcionamiento. Apague cigarrillos, cigarrillos, pipas y otras fuentes de combustión.

#### ⚠ ADVERTENCIA

Siempre mantenga las manos y los pies alejados de las piezas móviles del equipo. No utilice fluidos comprimidos para arrancar. Los vapores son inflamables.

1. Extraiga la tapa del combustible, controle el nivel y cargue más combustible de ser necesario.

# MONTAJE

## Procedimiento para controlar y agregar aceite

### PRECAUCIÓN

El motor se envía sin aceite en el motor. Antes de poner el motor en marcha debe llenarlo de aceite. Si se hace funcionar el motor sin suficiente aceite puede causar daños graves al motor y anular la garantía del producto.

1. Coloque la máquina quitanieve en una superficie firme y nivelada.
2. Retire el tapón de llenado/varilla de medición de aceite y limpie bien la varilla. Vea la Figura 7.

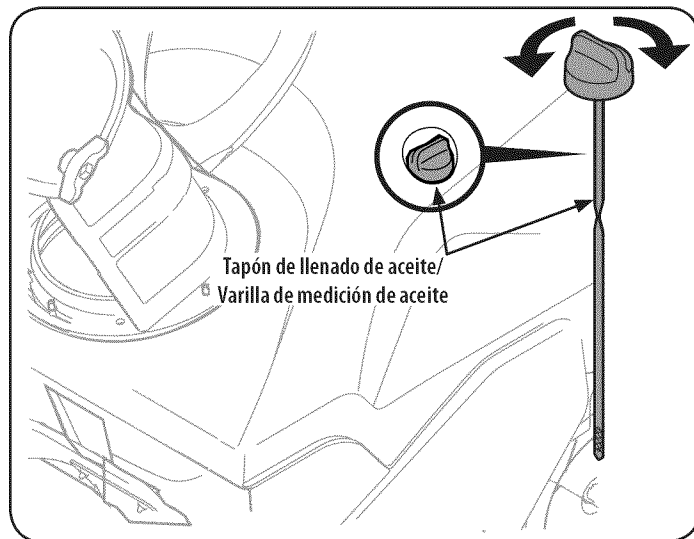


Figura 7

**NOTA:** No utilice aceite sintético para las primeras cinco horas de uso. Use aceite siempre.

3. Introduzca el tapón / la varilla de medición de aceite dentro del cuello de llenado de aceite pero no los atornille.

4. Saque el tapón / la varilla de medición de aceite. Si el nivel es bajo, agregue lentamente aceite hasta que el nivel registrado esté en un punto intermedio entre alto (H) y bajo (L), Figura 8.

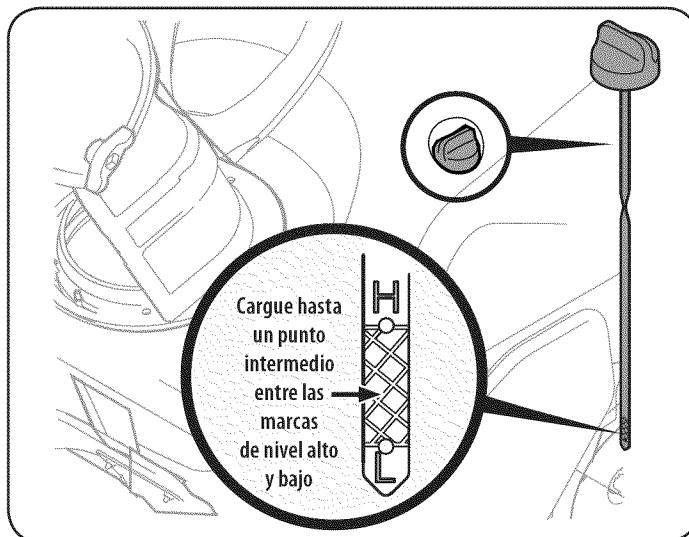


Figura 8

**NOTA:** No lo llene en exceso. Si se carga demasiado aceite se puede generar humo, problemas de arranque o suciedad en la bujía.

5. Vuelva a colocar el tapón / la varilla de medición de aceite bien ajustados antes de poner en marcha el motor.

**NOTA:** NO permita que el nivel de aceite caiga por debajo de la marca "L" de la varilla de medición. Si lo hace el equipo puede funcionar mal o dañarse.

**NOTA:** Para cambiar el aceite del motor, consulte la sección de Mantenimiento de este manual.

# FUNCIONAMIENTO

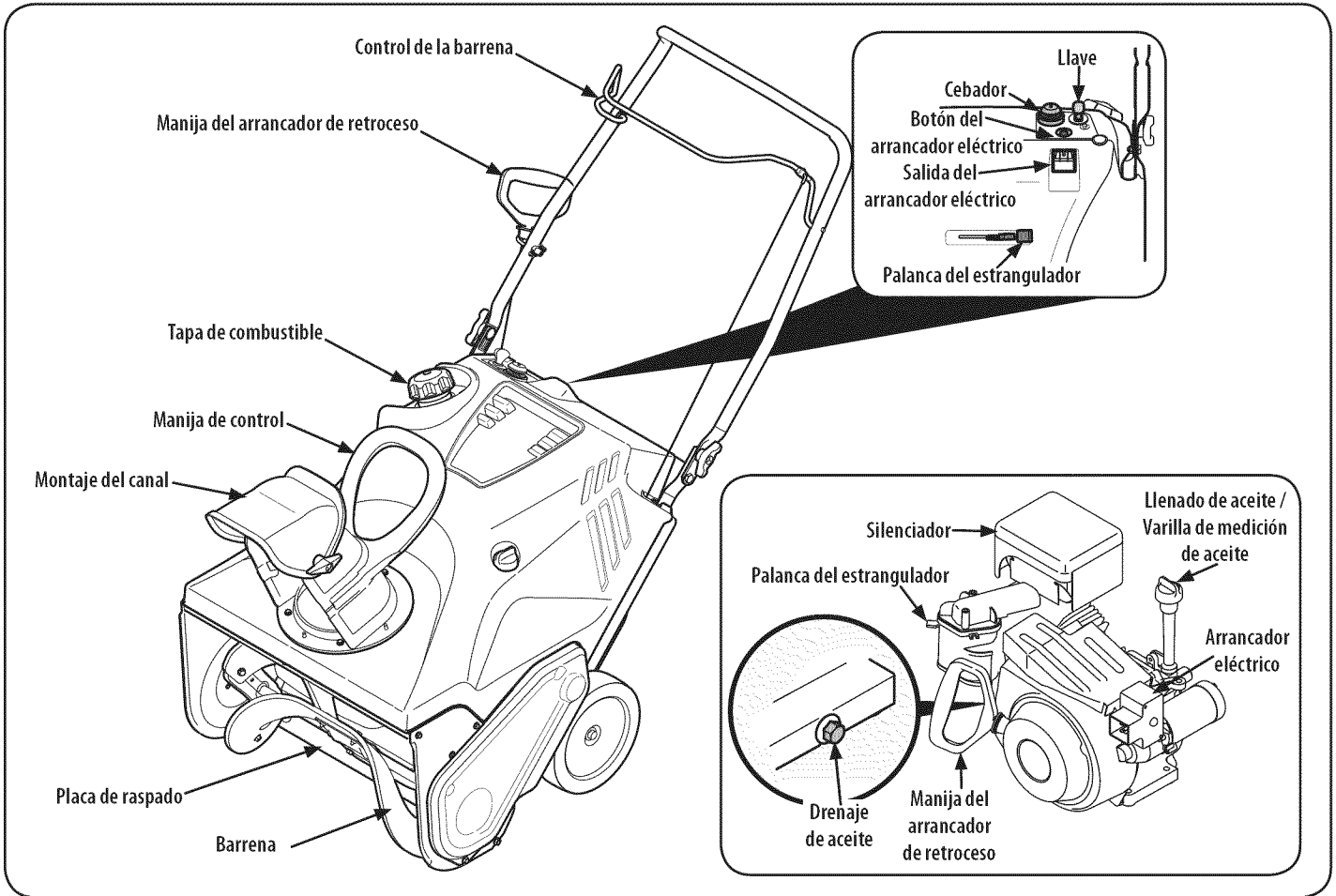


Figura 9

Ahora que ya ha ajustado su máquina quitanieve para el funcionamiento, es importante familiarizarse con sus controles y características. Consulte la Figura 9.

## Control Del Estrangulador



Al activar el control del cebador se cierra la placa estranguladora del carburador y se ayuda a arrancar el motor. La palanca del estrangulador se desliza entre las posiciones RUN (funcionamiento) y CHOKE (estrangulador).

## Cebador

Al presionar el cebador, asegúrese de cubrir el agujero de ventilación al empujar, las fuerzas de combustible directamente en el carburador del motor para ayudar en el clima frío de partida.



## Manija del arrancador de retroceso

La manija del arrancador de retroceso se utiliza para encender el motor.

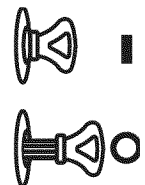
## Tapa de combustible

Saque el tapón del combustible para agregar combustible.

## Llave

La llave es un dispositivo de seguridad. Debe estar completamente insertada para que el motor arranque. Extraiga la llave cuando no use la máquina quitanieve.

**NOTA:** No gire la llave para intentar arrancar el motor. Al hacerlo podría romperla.



## Barrena

Quando está engranada, la rotación de la barrena dirige la nieve dentro de la caja de la barrena y la arroja hacia afuera por el canal de descarga. Las paletas de caucho de la barrena también ayudan a impulsar la máquina quitanieve al ponerse en contacto con el pavimento.

Cumple con los estándares de seguridad de ANSI

Las máquinas quitanieve Craftsman cumplen con los estándares de seguridad del Instituto Estadounidense de Estándares Nacionales (ANSI).



# FUNCIONAMIENTO

## Control de la barrena

La manija de control de la barrena está ubicada en la barra superior y se usa para engranar y desengranar la transmisión de la barrena. Apriete la manija de control contra la barra de control superior para engranar la barrena, aflójela para desengranarla.

## Montaje del canal

Haga rotar el canal de descarga hacia la izquierda o derecha usando la manija de control. La inclinación del canal de descarga controla el ángulo con el que se arroja la nieve. Afloje la perilla de aletas del costado del canal de descarga antes de girar el canal de descarga hacia arriba o hacia abajo. Vuelva a ajustar la perilla después de alcanzar la posición deseada.

## Placa de raspado

La placa de raspado hace contacto con el pavimento a medida que se impulsa la máquina quitanieve, permitiendo que se descargue la nieve que está cerca de la superficie del pavimento.

## Salida del arrancador eléctrico

Es necesario usar un prolongador para exteriores de tres patas y una fuente de alimentación / tomacorriente de pared de 120V.

## Botón del arrancador eléctrico

Si oprime el botón del arrancador eléctrico se engrana el arrancador eléctrico del motor cuando se lo enchufa a una fuente de energía de 120V.

## Varilla de llenado/nivel de aceite

Es posible controlar el nivel de aceite del motor, así como también agregar aceite, a través del llenado de aceite.

## Drenaje del aceite

El aceite del motor se puede drenar a través del tubo de drenaje.

## Silenciador

El escape del motor sale del motor a través del silenciador.

## Antes de arrancar el motor

### ⚠ ADVERTENCIA

Lea, comprenda y siga todas las instrucciones y advertencias que aparecen en la máquina y en este manual antes de hacerla funcionar.

## Encendido del motor

### ⚠ ADVERTENCIA

Siempre mantenga las manos y los pies alejados de las partes móviles. No utilice fluidos comprimidos para arrancar. Los vapores son inflamables.

### ⚠ ADVERTENCIA

Para evitar el envenenamiento por monóxido de carbono, asegúrese de que el motor esté al aire libre en un área bien ventilada.

1. Verifique que el control de la barrena se encuentre en posición desenganchada (suelta).
2. Inserte la llave de encendido en la ranura. Asegúrese de que entre a presión en su lugar. No intente girar la llave. Vea la Figura 10.

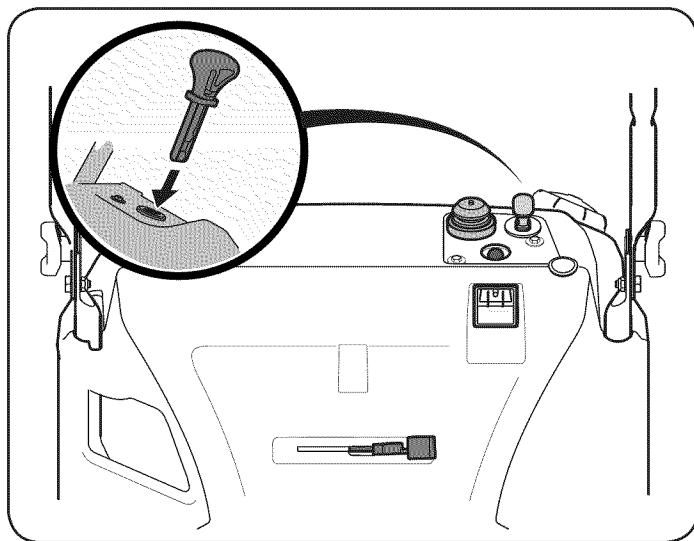


Figura 10

**NOTA:** El motor no puede arrancar si la llave no está completamente insertada en el interruptor de encendido.

# FUNCIONAMIENTO

## Botón del arrancador

Determine si el cableado de su hogar es un sistema de tres cables conectado a tierra. Consulte con un electricista matriculado si no está seguro.

Si cuenta con un receptáculo para tres patas conectado a tierra, realice los siguientes pasos:

1. Conecte el prolongador a la salida situada en la superficie del motor. Conecte el otro extremo del prolongador a un tomacorriente de CA, 120 voltios con conexión a tierra, para tres patas, en un área bien ventilada. Vea la Figura 11.

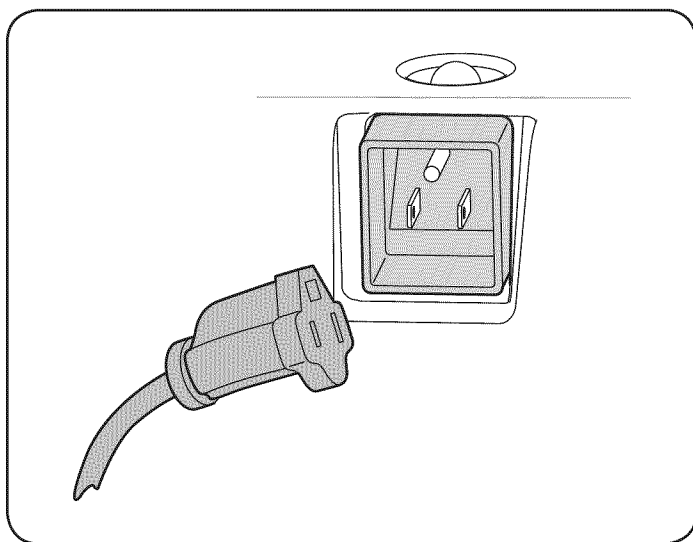


Figura 11

2. Empuje la palanca del estrangulador a la posición CHOKE (estrangulador)
3. Si el motor ya está caliente, ubique el regulador en la posición RUN (funcionamiento) en lugar de CHOKE (estrangulador) .
4. Presione tres (3) veces el botón de cebado, asegurándose de cubrir el orificio de ventilación al presionar.
5. Si el motor está caliente, presione el botón del cebador una sola vez.
6. Presione el botón del arrancador para arrancar el motor.
7. Una vez encendido el motor, suelte el botón del arrancador.
8. Deje que el motor se caliente varios minutos, ajustando el estrangulador hacia la posición RUN (funcionamiento) . Espere hasta que el motor funcione suavemente antes de cada ajuste de la obturación.
9. Cuando desconecte el prolongador, desenchufe siempre el extremo que está en el tomacorrientes de tres patas de la pared antes de desenchufar el extremo opuesto que está en la máquina quitanieve.

## Arrancador de retroceso

1. Empuje la palanca del estrangulador a la posición CHOKE (estrangulador) .
2. Si el motor ya está caliente, ubique el regulador en la posición RUN (funcionamiento) en lugar de CHOKE (estrangulador) .
3. Presione tres (3) veces el botón de cebado, asegurándose de cubrir el orificio de ventilación al presionar.
4. Si el motor está caliente, presione el botón del cebador una sola vez.
5. Tome la manija del arrancador de retroceso y tire de la cuerda hacia afuera lentamente. En el punto que se hace levemente más difícil tirar de la cuerda, permita que la misma retroceda lentamente.
6. Tire de la manija del arrancador con un movimiento firme y rápido. No suelte la manija ni deje que retroceda a su posición original. Mantenga la manija del arrancador firmemente sujeta y deje que la cuerda retroceda lentamente.

Deje que el motor se caliente varios minutos, ajustando el estrangulador hacia la posición RUN (funcionamiento) . Espere hasta que el motor funcione suavemente antes de cada ajuste de la obturación.

## Detención del motor

1. Deje el motor encendido durante algunos minutos antes de detenerlo para ayudar a secar toda la humedad del motor.
2. Para detener el motor saque la llave y guárdela en un lugar seguro.
3. Limpie toda la nieve y la humedad del área de los controles del motor.

## ADVERTENCIA

El silenciador, el motor y las áreas circundantes se recalientan y pueden causar quemaduras. Sea precavido y no los toque cuando están calientes.

## Enganche de la barrena

Para engranar la barrena apriete la manija de control contra la barra de control superior. Suelte el control para detener la barrena.

## Enganche de la transmisión

Levante apenas la barra para permitir que las paletas de caucho de la barrena toquen el pavimento e impulse la máquina quitanieve hacia adelante. Si presiona la barra hacia abajo, elevará la barrena del suelo y detendrá el avance de la máquina.

**NOTA:** Si la presión ascendente sobre la manija es excesiva tendrá como resultado un desgaste prematuro de las paletas de caucho de la barrena.

## Despeje de un canal de descarga obstruido

El contacto de las manos con el impulsor rotatorio que está dentro del canal de descarga es la causa más común de lesiones asociadas con las máquinas quitanieve. Nunca use su mano para limpiar el canal de descarga.

Para despejar el canal:

1. ¡APAGUE EL MOTOR!
2. Espere 10 segundos para estar seguro de que las cuchillas del motor han dejado de rotar.
3. Utilice siempre una herramienta de limpieza o varilla, no use las manos.

# SERVICIO Y MANTENIMIENTO

## PROGRAMA DE MANTENIMIENTO

### ⚠ ADVERTENCIA

Antes de realizar cualquier tipo de mantenimiento o servicio, desenganche todos los controles y detenga el motor. Espere a que se detengan completamente todas las piezas móviles. Desconecte el cable de la bujía y póngalo haciendo masa contra el motor para evitar que se encienda accidentalmente. Utilice siempre anteojos de seguridad durante el funcionamiento o mientras ajusta o repara este equipo.

Siga el programa de mantenimiento a continuación. Esta tabla se describen las pautas de servicio solamente. **Utilice la columna Registro de servicio para realizar un seguimiento de las tareas de mantenimiento realizadas. Para programar el servicio de Sears Parts & Repair, llame al 1-888-331-4569.**

Intervalo	Artículo	Servicio	Registro de servicio
Cada uso	1. Nivel de aceite del motor. 2. Máquina quitanieve y área de escape.	1. Verificar 2. Limpiar	
1ras 5 horas	1. Aceite del motor.	1. Cambio.	
Cada 5 horas	1. Aceite del motor. 2. Área del escape.	1. Verificar. 2. Limpieza.	
25 horas	1. Bujía de encendido.	1. Verificar.	
Cada temporada/50 horas	1. Aceite del motor	1. Cambiar	
Cada temporada/100 horas	1. Bujía de encendido	1. Limpiar, reemplazar, regular	
Cada temporada/antes de almacenar	1. Puntos de pivote 2. Manija de control 3. Resorte de extensión	1. Lubricar 2. Lubricar 3. Lubricar	

### Mantenimiento del motor

#### ⚠ PRECAUCIÓN

Lávese bien las manos con agua y jabón inmediatamente después de tocar aceite usado.

#### Recomendaciones sobre el aceite

Cuando le agregue aceite al motor, consulte la tabla de viscosidad que aparece más abajo (Figura 12).

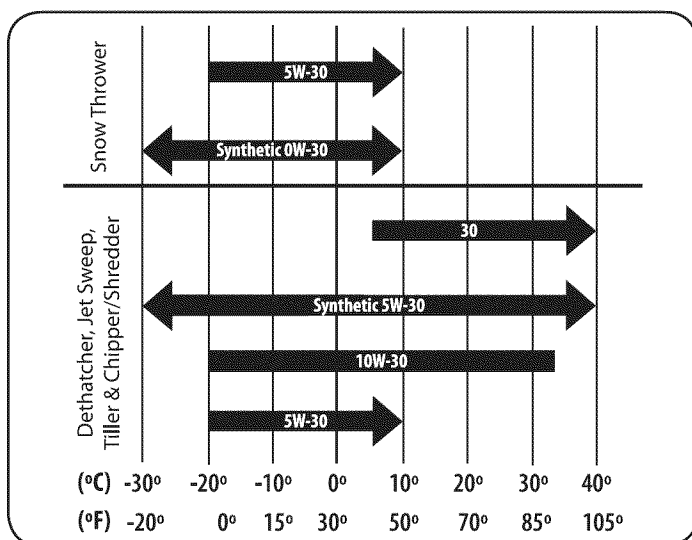


Figura 12

La capacidad de aceite del motor es 600 ml (aprox. 20 onzas). No llene excesivamente. Use un aceite para motor de cuatro tiempos, o un aceite detergente de calidad premium equivalente con certificado que cubra o exceda las exigencias de los fabricantes de automóviles americanos respecto de la clasificación de servicio SG y SF. Los aceites para motor con la clasificación SG, SF tienen esta designación en el envase.

**NOTA:** Elimine el aceite usado del motor de una manera que no perjudique el medio ambiente. Llévelo a un centro de reciclado u otro centro de recolección.

#### ⚠ PRECAUCIÓN

NO utilice aceites sin detergente ni aceite para motor de dos tiempos. Podría reducirse la vida útil del motor.

#### Cambio del aceite del motor

#### ⚠ ADVERTENCIA

Apague el motor y retire la llave de encendido antes de realizar cualquier trabajo de mantenimiento. Para evitar una puesta en marcha accidental, desconecte la funda de la bujía.

La inspección y los ajustes periódicos del motor son esenciales si se desea mantener un alto nivel de desempeño. El mantenimiento regular también garantizará una prolongada vida útil del motor. Los intervalos de mantenimiento requeridos y el tipo de mantenimiento a realizar se describen en la tabla precedente. Siga los intervalos por hora o calendarios, lo que ocurra primero. Cuando se opera en condiciones adversas es necesario llevar a cabo un mantenimiento más frecuente. Controle el nivel de aceite antes de cada uso y cada 5 horas de funcionamiento cuando el motor está tibio. Consulte Procedimiento para controlar y agregar aceite en la sección Armado.

Cambie el aceite después de las 5 primeras horas de operación y cada 50 horas de operación a partir de ese momento. El motor debe estar tibio aún pero NO caliente por su uso reciente.

## SERVICIO Y MANTENIMIENTO

1. Drene el combustible del tanque haciendo funcionar el motor hasta que el tanque de combustible está vacío. Asegúrese de que el tapón de llenado de combustible es seguro.
2. Retire los tres tornillos que sujetan el panel inferior. Quite el panel inferior levantando en el panel para liberar las pestañas en la parte inferior del panel de las ranuras de la ficha y luego retirarse. Vea la Figura 13.

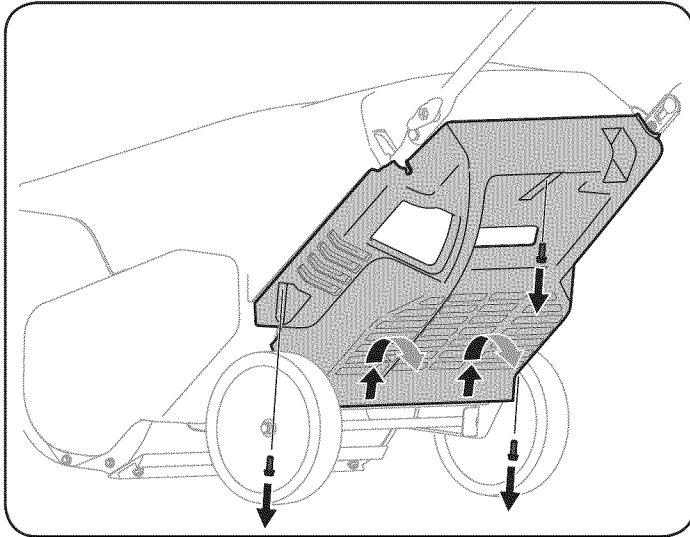


Figura 13

**NOTA:** La parte inferior del panel tiene etiquetas que ayudan a mantenerlo en su lugar.

**NOTA:** Un kit de extensión del drenaje de aceite se encuentra disponible por separado. Visite una de servicio Sears Center o llame 1-888-331-4569 y pida el kit #753-06684.

3. Colocar un recipiente de recolección de aceite adecuado debajo del tapón de drenaje.
4. Retire el tapón de vaciado, la Figura 14.

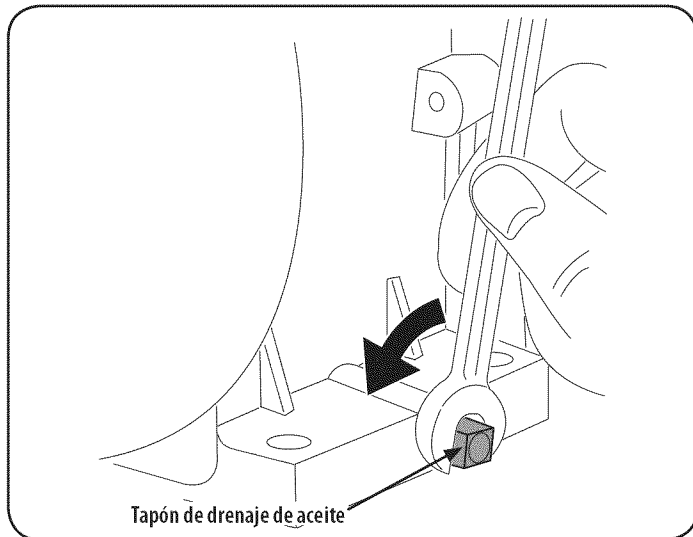


Figura 14

5. Inclina la máquina quitanieves de nuevo a fuga de aceite en el recipiente. El aceite usado deberá ser depositado en un centro de recolección adecuado.

6. Vuelva a colocar el tapón de vaciado y apriételo firmemente.
7. Rellene con el aceite recomendado y compruebe el nivel de aceite, consulte Comprobación y adición de aceite en la Sección de la Asamblea.
8. Vuelva a colocar la tapa de relleno / varilla indicadora de nivel.
9. Vuelva a instalar el panel inferior mediante la colocación de las etiquetas de las ranuras de la ficha, levantando el panel en su lugar y asegúrelo con los tres tornillos que quitó en el paso 2. Bujía de encendido

### Funda de bujía

#### ⚠ ADVERTENCIA

**NO pruebe la chispa si no está la bujía de encendido. NO dé arranque al motor si no está la bujía de encendido.**

#### ⚠ ADVERTENCIA

**Si el motor ha estado funcionando, el silenciador estará muy caliente. Tenga cuidado de no tocar el silenciador.**

Se debe controlar la bujía cada 25 horas y se la debe cambiar una vez por temporada o cada 100 horas. Para asegurarse de que el motor funcione bien, la bujía debe tener una separación correcta y también debe estar libre de depósitos.

1. Quite el panel inferior como se indica en la sección de Cambio de aceite del motor. Consulte la Figura 13.
2. Retire la funda de la bujía y utilice una llave para bujías para extraerla, Figura 15.

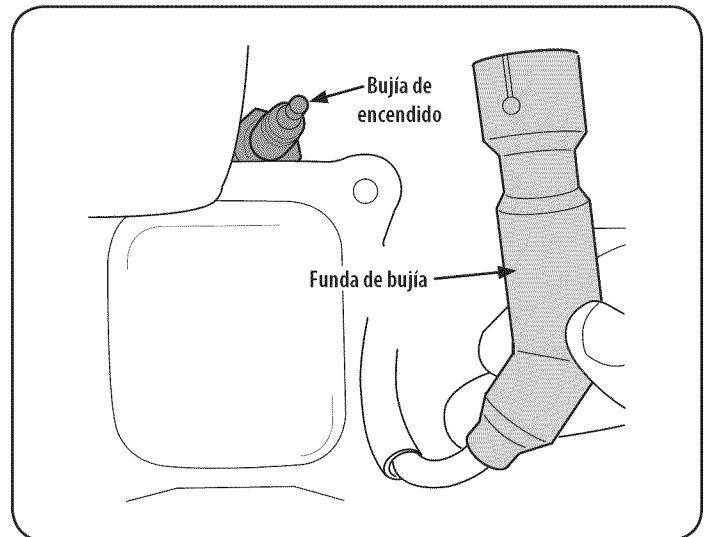


Figura 15

3. Inspeccione visualmente la bujía. Elimine la bujía si presenta desgaste visible, o si el aislante está agrietado o astillado. Limpie la bujía con un cepillo de alambre si se va a reutilizar.

**NOTA:** Para el reemplazo se debe utilizar una F6RTC bujía. Visite una de servicio Sears Center o llame 1-888-331-4569 y pida chispa reemplazo enchufe #951-10292.

4. Instale nuevamente el panel inferior colocando las lengüetas en sus ranuras, levantando el panel para colocarlo en su lugar y sujételo con los tres tornillos que extrajo en el paso 1.

# SERVICIO Y MANTENIMIENTO

- Mida la separación de bujía con un calibrador. Realice los ajustes necesarios torciendo el electrodo lateral, Figura 16. La separación debe ajustarse en 0,02-0,03 pulgadas (0,60-0,80 mm).

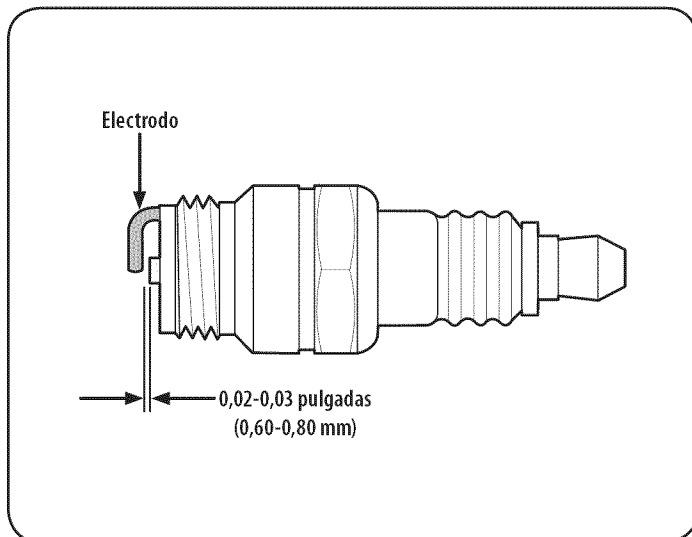


Figura 16

- Verifique que la arandela de la bujía esté en buenas condiciones y enrosque la bujía hacia adentro manualmente para evitar que se enrosque cruzada.
- Una vez que la bujía está asentada en su lugar, ajuste con una llave para bujía para comprimir la arandela.

**NOTA:** Cuando instale una bujía nueva, una vez colocada la bujía apriete 1/2 vuelta para comprimir la arandela. Cuando vuelva a colocar una bujía usada, una vez colocada la bujía apriete 1/8 - 1/4 de vuelta para comprimir la arandela.

## PRECAUCIÓN

La bujía debe estar bien ajustada. Si la bujía está floja puede recalentarse y dañar el motor.

## Limpieza del motor

Si el motor ha estado funcionando, déjelo enfriar durante por lo menos media hora antes de limpiarlo. Retire periódicamente la suciedad acumulada en el motor. Antes de dar servicio al motor, extraiga la cubierta del carburador y/o el alojamiento del soplador. Elimine la suciedad y los residuos de las siguientes áreas:

## PRECAUCIÓN

No rocíe el motor con agua para limpiarlo porque el agua podría contaminar el combustible. Si se utiliza una manguera de jardín o equipo de lavado a presión también puede entrar agua dentro de la abertura del silenciador. El agua que pasa por el silenciador puede ingresar en el cilindro, causando daños.

- Aletas de refrigeración
- Filtro de admisión de aire o Áreas de protección del volante/arrancador de retroceso
- Conexión de la bujía
- Palancas
- Área de enlace
- Protecciones
- Carburador
- Culata del motor

La extracción de los residuos asegura que el enfriamiento sea adecuado, la velocidad del motor correcta y el riesgo de incendio menor.

## ADVERTENCIA

La acumulación de residuos alrededor del silenciador podría producir un incendio. Inspecciónelo y límpielo antes de cada uso.

## Lubricación

Lubrique los puntos de giro de la manija de control y del resorte de extensión del extremo del cable de control con un aceite liviano una vez por temporada y antes de almacenar la máquina quitanieve al final de la temporada.

## Ajustes

### Placa de raspado

Para verificar el ajuste de la placa de raspado, ubique la unidad sobre una superficie nivelada. Las ruedas, la placa de raspado y las paletas de la barrena deben tocar la superficie nivelada. Tenga en cuenta que si la placa de raspado está demasiado alta la nieve puede volar debajo de la caja de la barrena. Si la placa de raspado se desgasta excesivamente, o la unidad no se autopropulsa, es posible que la placa de raspado esté demasiado baja y deba ser ajustada.

**NOTA:** En las unidades nuevas o en las que tienen una placa de raspado nueva las paletas de la barrena pueden estar un poco separadas del suelo.

Para ajustar la placa de raspado proceda de la siguiente manera:

1. Ponga en marcha la máquina quitanieve hasta que el tanque de combustible esté vacío.
2. Jale de la cuerda de arranque hasta sentir resistencia. Luego incline la máquina quitanieve hacia atrás hasta que quede apoyada sobre las manijas. Para asegurar que la máquina quitanieve no se incline hacia adelante, puede ser necesario sujetar la manija al piso con un bloque u otro objeto.
3. Afloje las tres tuercas de seguridad con brida y los pernos del carro que sujetan la placa de raspado a la caja. Vea la Figura 17. Mueva la placa de raspado hacia la posición deseada y vuelva a apretar las tuercas y los pernos bien ajustados.

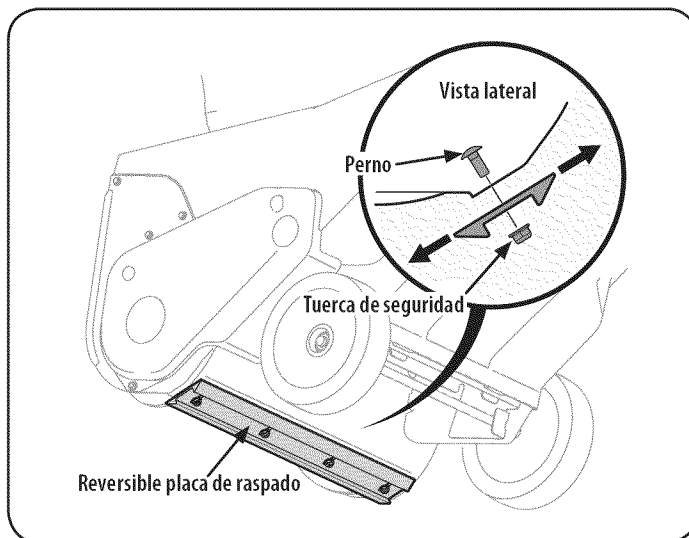


Figura 17

4. Incline la máquina quitanieve nuevamente a la posición de funcionamiento y jale de la manija de arranque varias veces para ver si es difícil jalar de la misma.

## SERVICIO Y MANTENIMIENTO

5. Si es difícil jalar del arranque, extraiga la bujía y jale de la manija varias veces para estar seguro de que se extraiga cualquier cantidad de aceite atrapada en la culata del motor.

### PRECAUCIÓN

Puede salir aceite del orificio de la bujía cuando la misma se extrae y se jala de la manija de arranque.

6. Inspeccione la bujía. Si está húmeda, limpie cualquier resto de aceite antes de volver a instalar.

### Cable de control

Es posible que necesite realizar ajustes periódicos debido al estiramiento del cable de control y de la correa de transmisión ocasionado por el desgaste. Si la barrena parece titubear mientras gira, haga lo siguiente:

El agujero superior de la barra de control prevé el ajuste de la tensión del cable. Para realizar el ajuste, desconecte el extremo del cable de control del agujero inferior de la manija de control e insértelo en el agujero superior. Inserte el cable desde el exterior como se indica en la Figura 18.

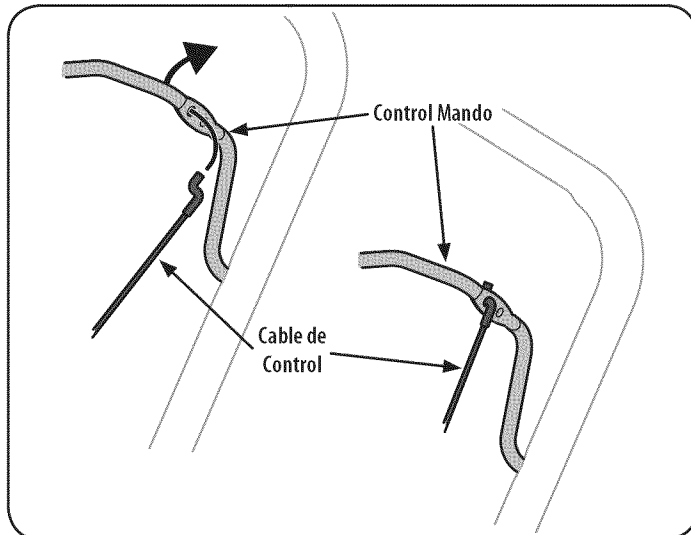


Figura 18

Pruebe la máquina quitanieve para ver si se logra una diferencia apreciable. Si luego de realizado el ajuste del cable de control la barrena sigue titubeando al girar, consulte la sección Reemplazo de la correa para obtener las instrucciones para el reemplazo de la correa.

### Montaje del canal

Consulte la sección Montaje para ver las instrucciones del ajuste del montaje del canal.

### Reemplazo de la correa de transmisión de la barrena

1. Ponga en marcha la máquina quitanieve hasta que el tanque de combustible esté vacío.
2. Jale de la manija del arrancador de retroceso hasta sentir resistencia. Luego incline la máquina quitanieve hacia atrás hasta que quede apoyada sobre las manijas.
3. Deslice una tabla hacia arriba a través de la barrena y a través del canal para sujetar la barrena en su lugar.
4. Para sacar la cubierta de la correa saque los tres tornillos para arandela hexagonal y un tornillo de seguridad hexagonal que la sujetan al bastidor. Vea la Figura 19.

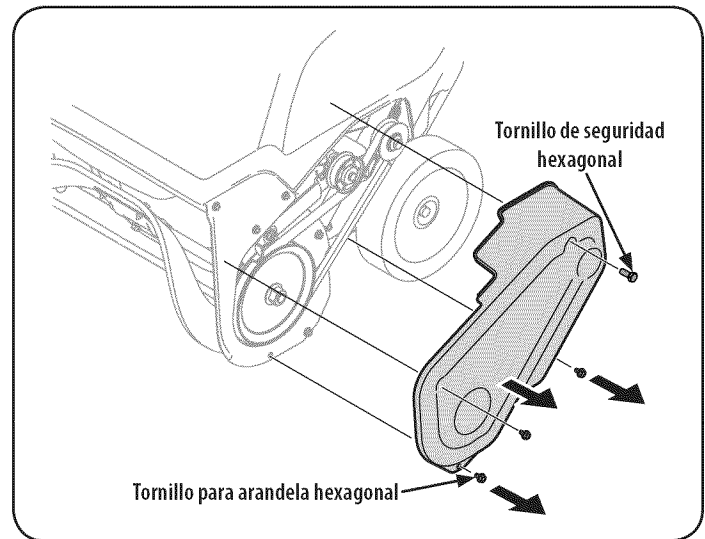


Figura 19

5. Extraiga la tuerca de brida que sujeta la polea de la barrena al eje de la barrena. Vea la Figura 20.

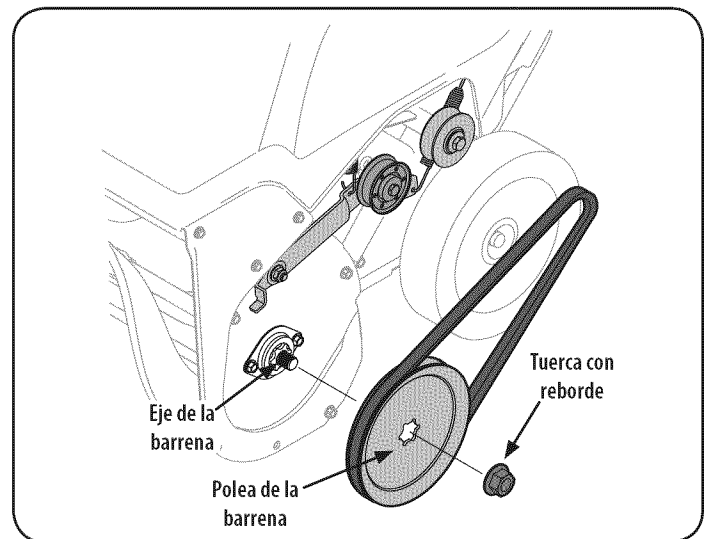


Figura 20

6. Extraiga la polea de la barrena y la correa.

## SERVICIO Y MANTENIMIENTO

Para volver a colocar la correa siga estas instrucciones y consulte la Figura 21:

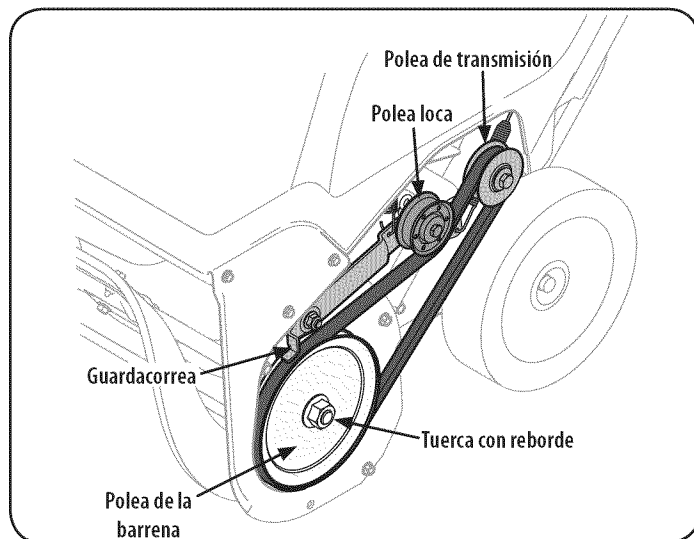


Figura 21

1. Pase la correa alrededor de la polea de transmisión y por debajo de la polea loca.
2. Pase el extremo de la correa alrededor de la polea de la barrena y deslice la polea hacia atrás sobre el eje de la barrena. Puede ser necesario empujar hacia abajo la polea loca para hacer que la polea de la barrena pase por debajo del guardacorrea.
3. Vuelva a colocar la tuerca de brida y ajústela bien.
4. Vuelva a instalar la cubierta de la correa que sacó anteriormente.
5. Quite la tabla de la barrena y el canal.

### Reemplazo de las paletas de la barrena

Las paletas de caucho de la barrena de la máquina quitanieve se desgastan y se las debe cambiar si se presentan signos de desgaste excesivo.

#### PRECAUCIÓN

NO permita que las paletas de caucho de la barrena se desgasten hasta el punto en que partes de la barrena metálica misma toquen el pavimento. Si esto sucede la máquina quitanieve puede dañarse seriamente.

Para cambiar las paletas de caucho, proceda como sigue y consulte la Figura 22:

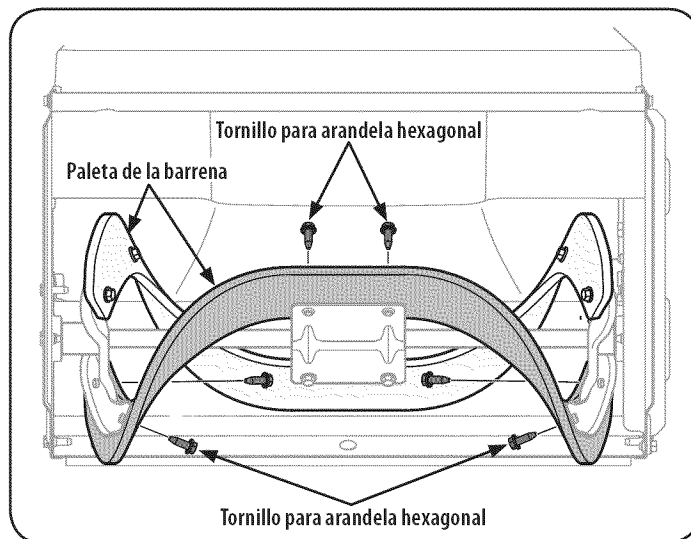


Figura 22

1. Ponga en marcha la máquina quitanieve hasta que el tanque de combustible esté vacío.
2. Jale de la manija del arrancador de retroceso hasta sentir resistencia. Luego incline la máquina quitanieve hacia atrás hasta que quede apoyada sobre las manijas.
3. Saque las paletas de caucho ya existentes para lo cual desenrosque los tornillos para arandelas hexagonales que las unen a la barrena. Vea la Figura 22.
4. Ajuste las nuevas paletas de caucho a la barrena usando los elementos de ferretería que sacó anteriormente.

**NOTA:** Las paletas de la barrena deben reemplazarse una a la vez de manera que se pueda usar la barrena aún conectada como ejemplo para el posicionamiento y la reinstalación de la barrena nueva.

Para obtener un kit de barrena de repuesto completo que incluya las paletas de caucho y los tornillos para arandelas hexagonales, comuníquese con Sears al teléfono 1-888-331-4569. Pida la pieza 753-06469.

### Reemplazo de la placa de raspado

La placa de raspado está adosada al fondo de la caja de la barrena y sujeta a desgaste. Se la debe controlar periódicamente. La placa de raspado tiene dos bordes de desgaste y se la puede invertir.

1. Ponga en marcha la máquina quitanieve hasta que el tanque de combustible esté vacío.
2. Jale de la manija del arrancador de retroceso hasta sentir resistencia. Luego incline la máquina quitanieve hacia atrás hasta que quede apoyada sobre las manijas.
3. Quite los tres pernos del carro y las tuercas de seguridad con brida que la sujetan a la caja de la máquina quitanieve.
4. Invierta la placa de raspado existente o instale una nueva, comprobando que la placa de raspado nueva y las cabezas de los pernos del carro queden en el interior de la caja.
5. Coloque la placa de raspado como se indica en la página 14.
6. Una vez colocada, ajuste bien.

Para obtener una placa de raspado nueva, comuníquese con Sears al teléfono 1-888-331-4569. Pida la pieza n.º 731-07667.

## ALMACENAMIENTO FUERA DE TEMPORADA

Si no se va a utilizar la máquina quitanieve durante 30 días o más, o si es el final de la temporada de nieve y ya no existe posibilidad de que nieve, es necesario almacenar el equipo de manera adecuada. Siga las instrucciones de almacenamiento que se indican a continuación para garantizar el rendimiento máximo de la máquina quitanieve durante muchos años más.

### Preparación del motor

Los motores que se almacenan durante más de 30 días deben ser drenados de combustible para evitar que se deterioren y se forme goma en el sistema de combustible o en las piezas principales del carburador. Si la gasolina en su motor se deteriora durante el almacenamiento, puede resultar necesario reparar o reemplazar el carburador y otros componentes del sistema de combustible.

1. Elimine todo el combustible del tanque haciendo funcionar el motor hasta que se detenga.
2. Cambie el aceite del motor.
3. Extraiga la bujía de encendido y vierta en el cilindro aproximadamente 1 onza (30 ml) de aceite para motor limpio. Tire varias veces del arrancador de retroceso para distribuir el aceite y reinstale la bujía.
4. Limpie el exterior del motor eliminando la suciedad y los residuos de las siguientes zonas:

#### PRECAUCIÓN

No rocíe el motor con agua para limpiarlo porque el agua podría contaminar el combustible. Si se utiliza una manguera de jardín o equipo de lavado a presión también puede entrar agua dentro de la abertura del silenciador. El agua que pasa por el silenciador puede ingresar en el cilindro, causando daños.

- Aletas de refrigeración
  - Filtro de admisión de aire o Áreas de protección del volante/arrancador de retroceso
  - Conexión de la bujía
  - Palancas
  - Área de enlace
  - Protecciones
  - Carburador
  - Culata del motor
5. Almacene el motor en un sector limpio, seco y bien ventilado, lejos de cualquier artefacto que funcione con una llama o luz piloto como hornos, calentadores de agua o secadores de ropa. Evite cualquier sector con un motor eléctrico que produzca chispas o donde se utilicen herramientas eléctricas.

#### ADVERTENCIA

Nunca almacene la máquina quitanieve con combustible en el tanque en un espacio cerrado o en áreas con poca ventilación, donde los gases del combustible puedan alcanzar el fuego, chispas o una luz piloto como la que tienen algunos hornos, calentadores de agua, secadores de ropa o algún otro dispositivo a gas.

6. Si es posible, evite sectores de almacenamiento con mucha humedad.
7. Mantenga el motor nivelado cuando lo almacene. La inclinación del motor puede resultar en fugas de combustible o aceite.

### Preparación de la máquina quitanieve

Si no se va a usar la máquina quitanieve durante 30 días o más, siga las siguientes instrucciones incluidas a continuación.

1. Almacene el equipo en un área despejada y seca.
2. Limpie la máquina quitanieve con un trapo y quite la suciedad o los residuos.
3. Si almacena la máquina quitanieve en un lugar mal ventilado, cubra las piezas metálicas de la máquina con una capa delgada de aceite o silicona como antioxidante.



# SOLUCIÓN DE PROBLEMAS

## ADVERTENCIA

Antes de realizar cualquier tipo de mantenimiento o servicio, desenganche todos los controles y detenga el motor. Espere a que se detengan completamente todas las piezas móviles. Desconecte el cable de la bujía y póngalo haciendo masa contra el motor para evitar que se encienda accidentalmente. Utilice siempre anteojos de seguridad durante el funcionamiento o mientras ajusta o repara este equipo.

En esta sección se analizan problemas menores de servicio. Para ubicar el Centro de Servicio Sears más cercano o para programar un servicio, simplemente comuníquese con Sears al teléfono 1-888-331-4569.

Problema	Causa	Solución
El motor no arranca	<ol style="list-style-type: none"> <li>1. El tanque de combustible está vacío o el combustible se ha echado a perder.</li> <li>2. La línea del combustible está bloqueada.</li> <li>3. No se introdujo completamente la llave.</li> <li>4. Se ha desconectado el cable de la bujía.</li> <li>5. La bujía no funciona correctamente.</li> <li>6. El motor no está cebado.</li> <li>7. El motor está ahogado ya que ha sido cebado demasiado.</li> </ol>	<ol style="list-style-type: none"> <li>1. Llene el depósito con gasolina limpia y nueva.</li> <li>2. Comuníquese con el centro de servicio Sears.</li> <li>3. Introduzca completamente la llave.</li> <li>4. Conecte el cable a la bujía.</li> <li>5. Limpie la bujía, ajuste la distancia disruptiva o cambie la bujía.</li> <li>6. Oprima el botón del cebador del motor cinco veces.</li> <li>7. Espere al menos diez minutos antes de encender el motor.</li> </ol>
El motor funciona de manera errática/RPM desiguales (oscilación o sobretensión)	<ol style="list-style-type: none"> <li>1. El motor está funcionando en la posición "choke" (estrangulador).</li> <li>2. La línea del combustible está tapada o el combustible es viejo.</li> <li>3. Hay agua o suciedad en el sistema de combustible.</li> <li>4. Es necesario regular el carburador.</li> <li>5. Exceso de regulación del motor</li> </ol>	<ol style="list-style-type: none"> <li>1. Mueva la palanca del estrangulador a la posición RUN (marcha).</li> <li>2. Comuníquese con el centro de servicio Sears.</li> <li>3. Haga marchar el motor hasta que se detenga. Vuelva a llenar el depósito con combustible nuevo.</li> <li>4. Comuníquese con el centro de servicio Sears.</li> <li>5. Comuníquese con el centro de servicio Sears.</li> </ol>
El motor recalienta	<ol style="list-style-type: none"> <li>1. Es necesario regular el carburador.</li> </ol>	<ol style="list-style-type: none"> <li>1. Comuníquese con el centro de servicio Sears.</li> </ol>
Pérdida de potencia	<ol style="list-style-type: none"> <li>1. El cable de la bujía está flojo.</li> <li>2. La ventilación de la tapa del combustible está obstruida.</li> </ol>	<ol style="list-style-type: none"> <li>1. Conecte firmemente el cable de la bujía.</li> <li>2. Destape la ventilación.</li> </ol>
Vibración excesiva	<ol style="list-style-type: none"> <li>1. Hay piezas que están flojas o la barrena está dañada.</li> </ol>	<ol style="list-style-type: none"> <li>1. Pare el motor inmediatamente y retire la llave. Controle si la máquina está dañada. Ajuste todos los pernos y las tuercas. Realice las reparaciones necesarias. Si el problema persiste, lleve la máquina quitanieve al centro de servicio Sears.</li> </ol>
La máquina quitanieve no se autopropulsa	<ol style="list-style-type: none"> <li>1. El cable del control de la barrena necesita un ajuste.</li> <li>2. La correa de transmisión de la barrena está floja o dañada.</li> </ol>	<ol style="list-style-type: none"> <li>1. Ajuste el cable de control de la barrena tal y como se muestra en la sección de Servicio y Mantenimiento.</li> <li>2. Reemplace la correa de transmisión de la barrena.</li> </ol>
La barrena continúa rotando	<ol style="list-style-type: none"> <li>1. El cable del control de la barrena necesita un ajuste.</li> </ol>	<ol style="list-style-type: none"> <li>1. Ajuste el cable de control de la barrena tal y como se muestra en la sección de Servicio y Mantenimiento.</li> </ol>
La unidad no descarga la nieve	<ol style="list-style-type: none"> <li>1. El conjunto del canal está tapado.</li> <li>2. Hay un objeto extraño en la barrena.</li> <li>3. El cable del control de la barrena necesita un ajuste.</li> <li>4. La correa de la barrena está floja o dañada.</li> </ol>	<ol style="list-style-type: none"> <li>1. Detenga el motor y desconecte el cable de la bujía. Limpie el canal y el interior de la caja de la barrena con la herramienta de limpieza o una varilla.</li> <li>2. Detenga el motor de inmediato y desconecte el cable de la bujía. Retire el objeto de la barrena.</li> <li>3. Ajuste el cable del control de la barrena.</li> <li>4. Reemplace la correa de la barrena.</li> </ol>

# NOTAS

# NOTAS

## Sears Brands Management Corporation, el Consejo de Recursos Ambientales de California (CARB) y la Agencia de Protección Ambiental de los Estados Unidos (EPA) Declaración de garantía del sistema de control de emisiones (derechos y obligaciones de la garantía de defectos del propietario)

LA COBERTURA DE LA GARANTÍA DE CONTROL DE EMISIONES ES APLICABLE A LOS MOTORES CERTIFICADOS COMPRADOS EN CALIFORNIA EN 1995 Y POSTERIORMENTE QUE SE UTILIZAN EN CALIFORNIA, Y PARA LOS MODELOS CERTIFICADOS DEL AÑO 1997 Y POSTERIORES, QUE SE COMPREN

Y UTILICEN EN CUALQUIER PARTE DE LOS ESTADOS UNIDOS (Y A PARTIR DEL 1 DE ENERO DE 2001 EN CANADÁ).

### Declaración de garantía sobre defectos en el control de emisiones para California y los Estados Unidos

El Consejo de Recursos Ambientales de California (CARB), la EPA (Agencia de Protección Ambiental de los EE.UU.) y Sears tienen el gusto de explicar la garantía del sistema de control de emisiones para motores del año 2000 y para el futuro con relación a motores pequeños todo terreno (SORE). En California, los nuevos motores pequeños todo terreno deben estar diseñados, contruidos y equipados para cumplir con las rigurosas normas anti-smog del estado. En el resto de los Estados Unidos, los motores nuevos todo terreno de encendido por chispa certificados para el año 1997 deben cumplir estándares similares establecidos por la EPA. Sears debe garantizar

el sistema de control de emisiones de su motor para los períodos de tiempo enumerados a continuación, siempre que no haya abuso, negligencia o mantenimiento indebido de su motor todo terreno pequeño. Su sistema de control de emisiones puede incluir piezas tales como el carburador, el filtro de aire, el sistema de encendido, el silenciador y el convertidor catalítico. También puede incluir conectores y otras unidades relacionadas con las emisiones. Donde exista una condición cubierta por la garantía, Sears reparará su pequeño motor todo terreno sin costo alguno incluyendo diagnóstico, piezas y mano de obra

### Cobertura de la garantía Sears para defectos en el control de emisiones

Los motores todo terreno pequeños están garantizados en lo relativo al control de emisiones para defectos en piezas durante un período de dos años, sujeto a las

disposiciones que se indiquen a continuación. Si una parte de su motor cubierta por la garantía es defectuosa, Sears reparará o sustituirá dicha parte.

### Responsabilidades del propietario en relación con la garantía

Como propietario del motor todo terreno pequeño, Ud. es responsable de la realización del mantenimiento requerido que se incluye en las instrucciones de operación y mantenimiento. Sears recomienda que se conserven todos los recibos relativos al mantenimiento de su motor todo terreno pequeño, pero no puede denegar la garantía simplemente por la falta de los mismos, o por su incumplimiento del mantenimiento programado. Como propietario del motor pequeño todoterreno debe saber que, sin embargo, Sears le puede negar la cobertura de la garantía si su motor todoterreno pequeño o una pieza del mismo han fallado debido a abuso, negligencia, mantenimiento indebido o a modificaciones no aprobadas. Ud. es responsable de presentar su

motor todoterreno pequeño a un distribuidor de servicios Sears autorizado tan pronto como aparezca un problema. Las reparaciones de la garantía sin conflicto deben completarse en un plazo de tiempo razonable, no superior a 30 días. Si tiene alguna pregunta respecto a sus derechos y responsabilidades referentes a la garantía, debe contactar con un representante de servicios Sears al 1--800--469--4663. La garantía de emisiones es una garantía por defectos. Los defectos se juzgan de acuerdo con el funcionamiento normal de un motor. La garantía no está relacionada con una prueba de emisiones en uso.

### Disposiciones de la garantía Sears para defectos en el control de emisiones

Las siguientes son disposiciones específicas relacionadas con la cobertura de la garantía para defectos en el control de emisiones. Es un añadido a la garantía de motor Sears para motores no regulados que se encuentra en las instrucciones de funcionamiento y mantenimiento.

#### 1. Piezas con garantía

La cobertura de esta garantía se extiende únicamente a las piezas que aparecen a continuación (las partes de los sistemas de control de emisiones), siempre que dichas piezas estuvieran ya en el motor en el momento de su compra.

- a. Sistema de medición de combustible
  - Sistema de enriquecimiento para arranque en frío
  - Carburador y partes internas
  - Bomba de combustible
- b. Sistema de inducción de aire
  - Filtro de aire
  - Colector de admisión
- c. Sistema de encendido
  - Bujía(s) de encendido
  - Sistema de encendido magneto
- d. Sistema del catalizador
  - Convertidor catalítico
  - Colector de escape
  - Sistema de inyección de aire o válvula de impulsos
- e. Elementos variados usados en los sistemas anteriores
  - Válvulas de vacío, sensibles a temperatura, posición y tiempo e interruptores
  - Conectores y montajes

#### 2. Alcance de la cobertura

Sears garantiza al poseedor inicial y a los compradores subsiguientes que las piezas con garantía no tendrán defectos en materiales ni mano de obra que provoquen la falla de las mismas durante un período de dos años a partir de la fecha en que el motor se entrega a un comprador particular.

#### 3. Sin cargo

La reparación o reemplazo de cualquier parte con garantía se realizará sin cargo alguno para el poseedor, incluyendo tareas de diagnóstico que permitan determinar si una parte con garantía es defectuosa, siempre que dicho diagnóstico se realice en un distribuidor de servicios Sears autorizado. Para el servicio de la garantía de emisiones, contacte al distribuidor de servicios Sears autorizado más cercano incluido en las "Páginas amarillas" en las categorías "Motores, gasolina", "Motores de gasolina", "Podadoras de césped", o similares.

#### 4. Reclamaciones y exclusiones a la cobertura

Las reclamaciones de la garantía deben enviarse de acuerdo con las disposiciones de la política de garantía para motores Sears. La cobertura de la garantía excluirá defectos en piezas con garantía que no sean partes originales Sears, o abuso, negligencia o mantenimiento incorrecto, tal y como se establece en la política de garantía para motores Sears. Sears no es responsable de las fallas en piezas con garantía provocadas por el uso de partes añadidas, que no sean originales o que se hayan modificado.

#### 5. Mantenimiento

Cualquier parte con garantía que no esté programada para ser reemplazada como mantenimiento requerido, o que sólo deba inspeccionarse regularmente al efecto de "inspeccione o reemplace según sea necesario", estará garantizada contra defectos durante el período de la garantía. Todas las piezas garantizadas que estén programadas para su reemplazo para cumplir con los requisitos de mantenimiento estarán garantizadas sólo por el período anterior al primer reemplazo programado para dicha pieza. Cualquier pieza de reemplazo que sea equivalente en funcionamiento y durabilidad puede usarse para realizar mantenimiento o reparaciones. El propietario es responsable de realizar todo el mantenimiento requerido, tal y como se define en las instrucciones de funcionamiento y mantenimiento Sears

#### 6. Cobertura indirecta

Por la presente, la cobertura se extiende a la falla de cualquier componente de motor provocada por la falla de una pieza con garantía que esté todavía en período de garantía.

En los Estados Unidos y Canadá hay una línea de atención de 24 horas, 1-800-469-4663, que cuenta con un menú con mensajes pre-grabados que contienen información para el mantenimiento de motores.

## **DECLARACIÓN FEDERAL y/o DE CALIFORNIA SOBRE GARANTÍAS EN EL CONTROL DE EMISIONES SUS DERECHOS Y OBLIGACIONES EN CUANTO A LA GARANTÍA**

MTD Consumer Group Inc, la Agencia de Protección Medioambiental de los Estados Unidos (EPA), y para aquellos productos certificados para su venta en el estado de California, el Departamento de los Recursos del Aire de California (CARB) se complacen en explicar la garantía que evaporativo sistema de control de emisiones (ECS) de su equipo (equipos de exteriores) de encendido por chispa para todo terreno, pequeño, de exteriores del año 2014-2015. En California, los nuevos motores de equipos de exteriores deben estar diseñados, construidos y equipados para cumplir con las estrictas normas antipolución del Estado (en otros estados, equipos de exteriores deben ser estar diseñados, construidos y equipados para cumplir con las regulaciones de motores de encendido por chispa para todo terreno pequeños de la Agencia de Protección Medioambiental de los Estados Unidos, (EPA). MTD Consumer Group Inc. debe garantizar el sistema de control de emisiones (ECS) de su motor de equipos de exteriores por el período de tiempo indicado más abajo, siempre y cuando no exista uso incorrecto, negligencia o mantenimiento inadecuado de equipos de exteriores.

Su ECS puede incluir piezas tales como el los depósitos de combustible, las líneas de combustible, los tapones de combustible, las válvulas, contenedores, filtros, mangueras de vapor, abrazaderas, conectores y otros componentes afines relacionados con las emisiones.

Donde exista una condición cubierta por la garantía, MTD Consumer Group Inc. reparará de equipos de exteriores sin costo alguno incluyendo el diagnóstico, las piezas y la mano de obra.

### **COBERTURA DE LA GARANTÍA DEL FABRICANTE:**

Este sistema de control de emisiones se garantiza por el término de dos años. Si alguna pieza relacionada con las emisiones de su motor de equipos de exteriores es defectuosa, MTD CONSUMER GROUP INC. reparará o sustituirá dicha pieza.

### **RESPONSABILIDADES DEL PROPIETARIO SEGÚN LA GARANTÍA:**

En su carácter de propietario de equipos de exteriores, usted es responsable del mantenimiento requerido que se especifica en el manual del propietario. MTD Consumer Group Inc le recomienda que conserve todos los recibos que cubren el mantenimiento de equipos de exteriores, obstante lo cual MTD Consumer Group Inc no podrá denegar el cumplimiento de la garantía únicamente por la falta de los recibos.

Como propietario de equipos de exteriores, usted debe saber que MTD Consumer Group Inc. puede denegar la cobertura de la garantía si su equipos de exteriores o una pieza del mismo fallan debido a uso incorrecto, negligencia, mantenimiento indebido o a modificaciones no aprobadas.

Usted es responsable de presentar su equipos de exteriores al centro de distribución o servicio técnico de MTD Consumer Group Inc. tan pronto como aparezca el problema. Las reparaciones cubiertas por la garantía se deben llevar a cabo en un lapso razonable que no exceda de 30 días. Si tiene alguna pregunta respecto de la cobertura de la garantía, póngase en contacto con el Departamento del Servicio Técnico de MTD Consumer Group Inc. al teléfono 1-800-800-7310 o por correo electrónico en <http://support.mtdproducts.com>.

### **COBERTURA DE LA GARANTÍA DE EMISIONES GENERALES:**

MTD Consumer Group Inc garantiza al comprador final y a cada comprador subsiguiente que el equipos de exteriores: está diseñado, construido y equipado de modo de cumplir con todas las regulaciones aplicables y que se encuentra libre de defectos de materiales y de fabricación que pudieren causar la falla de una pieza garantizada idéntica, en todos los aspectos materiales a la pieza descrita en la solicitud de certificación de MTD Consumer Group Inc.

El período de garantía comienza en la fecha de entrega del equipos de exteriores al comprador final o en la fecha en que la máquina se pone en funcionamiento por primera vez. El período de garantía es de dos años.

Sujeto a ciertas condiciones y exclusiones que se indican a continuación, la garantía de las piezas relacionadas con las emisiones es la siguiente:

1. Cualquier pieza garantizada que no esté programada para ser reemplazada como parte del mantenimiento requerido en las instrucciones escritas suministradas se garantiza por el período de garantía arriba mencionado. Si la pieza falla durante el período de cobertura de la garantía, la misma será reparada o reemplazada por MTD Consumer Group Inc. de acuerdo con el párrafo (4) a continuación. Cualquier pieza reparada o reemplazada según la garantía se garantizará por el resto del período de garantía.
2. Cualquier pieza garantizada que esté programada solamente para inspección regular en las instrucciones escritas suministradas se garantiza por el período de garantía arriba mencionado. Cualquier pieza reparada o reemplazada según la garantía se garantizará por el resto del período.
3. Cualquier pieza garantizada que esté programada para reemplazo según el mantenimiento requerido de conformidad con las instrucciones escritas suministradas, se garantiza por el período de tiempo anterior a la primera fecha de reemplazo programada para esa pieza. Si la pieza falla antes del primer reemplazo programado, la misma será reparada o reemplazada por MTD Consumer Group Inc. de acuerdo con el párrafo (4) a continuación. Cualquier pieza reparada o reemplazada bajo garantía se garantizará por el resto del período anterior al primer reemplazo programado puntual para esa pieza.
4. La reparación o el reemplazo de cualquier pieza garantizada de conformidad con las disposiciones de la garantía que aquí se estipula se deben realizar en un centro de garantía sin costo alguno para el propietario.
5. No obstante las disposiciones que aquí se estipulan, los servicios o reparaciones bajo garantía se suministrarán en todos nuestros centros de distribución bajo franquicia de mantenimiento para los motores o equipos en cuestión.
6. El propietario de equipos de exteriores no deberá pagar el trabajo de diagnóstico directamente asociado con una pieza garantizada defectuosa en relación con las emisiones, siempre y cuando dicho trabajo de diagnóstico se realice en un centro cubierto por la garantía.
7. MTD Consumer Group Inc es responsable por daños causados a otros componentes de motores o equipos derivados de la falla bajo garantía de cualquier pieza garantizada.

8. Durante la totalidad del período de garantía del motor y equipo para todo terreno arriba mencionado, MTD Consumer Group Inc mantendrá un suministro de piezas bajo garantía suficiente para satisfacer la demanda esperada de tales piezas.
9. Cualquier pieza de reemplazo se podrá usar para el cumplimiento del mantenimiento o las reparaciones bajo garantía y se suministrarán sin cargo para el propietario. Dicho uso no reducirá las obligaciones de garantía de MTD Consumer Group Inc.
10. No se podrán usar piezas adicionales ni modificadas que no estén exentas de acuerdo con el Departamento de los Recursos del Aire (Air Resources Board). El uso de cualquier pieza adicional o modificada no exenta por el comprador final será causal de invalidez de los reclamos bajo garantía. MTD Consumer Group Inc no tendrá responsabilidad por la garantía de fallas de piezas garantizadas que fueren causadas por el uso de una pieza adicional no exenta o modificada.

### **PIEZAS GARANTIZADAS:**

La reparación o el reemplazo de cualquier pieza garantizada que de otro modo pudiese estar cubierta por la garantía podrá ser excluida de tal cobertura de garantía si MTD Consumer Group Inc demuestra que el equipo de exteriores es objeto de uso incorrecto, negligencia o mantenimiento inadecuado, y que tal uso incorrecto, negligencia o mantenimiento inadecuado fue causa directa de la necesidad de reparación o reemplazo de dicha pieza. No obstante lo antedicho, cualquier ajuste de un componente con un dispositivo de limitación de ajuste instalado en fábrica y que funcione adecuadamente, podrá ser cubierto por la garantía. Además, la cobertura bajo esta garantía se extiende solo a piezas que estuvieron presentes en y equipo todo terreno adquiridos.

Están cubiertas las siguientes piezas con garantía para emisiones (de corresponder):

1. Sistema de medición de combustible
  - Bomba de combustible
  - Depósito de combustible
2. Control evaporativo
  - Manguera de combustible
  - Abrazaderas de la manguera de combustible
  - Tapón del combustible atado por correa
  - Caja de carbono
  - Líneas de vapor

## ACUERDO DE PROTECCIÓN PARA REPARACIONES

*Felicitaciones por haber realizado una adquisición inteligente. El producto Craftsman® que ha adquirido está diseñado y fabricado para brindar muchos años de funcionamiento confiable. Pero como todos los productos a veces puede requerir de reparaciones. Es en ese momento cuando el disponer de un Acuerdo de protección para reparaciones le puede ahorrar dinero y problemas.*

### **A continuación se detallan los puntos incluidos en el Acuerdo:**

- ☑ **Servicio experto** prestado por nuestros 10,000 especialistas en reparaciones profesionales
- ☑ **Servicio ilimitado sin cargo** para las piezas y la mano de obra en todas las reparaciones cubiertas
- ☑ **Reemplazo del producto** hasta 1500 dólares si no es posible reparar el producto cubierto
- ☑ **Descuento de 25%** del precio normal del servicio y de las piezas relacionadas con el mismo que no estén cubiertas por el acuerdo; además, 25% del precio normal de la verificación de mantenimiento preventivo
- ☑ **Ayuda rápida por teléfono** - lo llamamos Resolución Rápida – el apoyo telefónico de un Chamusca al representante. Piense en nosotros como el manual “de un dueño hablador.”

Una vez adquirido el Acuerdo, puede programar el servicio con tan sólo realizar una llamada telefónica. Puede llamar en cualquier momento del día o de la noche o programar un servicio en línea.

El Acuerdo de Protección de Reparación es una compra sin riesgo. Si usted anula por alguna razón durante el período de garantía de producto, proporcionaremos un reembolso lleno. O, un reembolso prorrateado en cualquier momento después del período de garantía de producto expira. ¡Adquiera hoy su acuerdo de protección para reparaciones!

**Se aplican determinadas limitaciones y exclusiones. Para obtener información adicional y precios en los Estados Unidos llame al 1-800-827-6655.**

**El \*Coverage en Canadá varía en algunos artículos. Para detalles llenos la llamada Chamusca Canadá en 1-800-361-6665.**

### **Servicio de instalación de Sears**

*Para la instalación profesional de Sears de electrodomésticos, abridores de puertas de garaje, calentadores de agua y otros importantes, en los Estados Unidos llame **1-888-331-4569** y en Canadá, llame **1-800-469-4663**.*

# **CRAFTSMAN®**

**Product questions or problems?**

# **1-888-331-4569**

## **Customer Care Hot Line**

**Get answers to questions, troubleshoot problems,  
order parts, or schedule repair service.**

Para respuestas a preguntas o problemas, y ordenar  
piezas o pedir servicio para la reparación de su equipo.

**To help us help you, register your product at [www.craftsman.com/registration](http://www.craftsman.com/registration)**

Para poderte ayudar mejor, registra tu producto en [www.craftsman.com/registration](http://www.craftsman.com/registration)

---

**Join the Craftsman Club today!**

# **CRAFTSMAN CLUB®**

**[www.craftsman.com/signup](http://www.craftsman.com/signup)**

**Receive exclusive member benefits including special pricing and offers,  
project sharing, expert advice, and SHOP YOUR WAY REWARDS!**

Como miembro exclusivo, recibe diversos beneficios como ofertas, precios especiales, proyectos nuevos, consejos de expertos y nuestro programa de puntos SHOP YOUR WAY REWARDS!