

24" (61 cm) & 27" (69 cm) Electric Washer/Dryer Installation Instructions

Instructions pour l'installation de la laveuse/sécheuse électrique de 24" (61 cm) et 27" (69 cm)

Instrucciones de instalación de la lavadora/secadora eléctrica de 24" (61 cm) y 27" (69 cm)

Table of Contents

WASHER/DRYER SAFETY	2
INSTALLATION REQUIREMENTS.....	4
Tools and Parts.....	4
LOCATION REQUIREMENTS.....	6
DIMENSIONS/CLEARANCES	7
DRAIN SYSTEM.....	9
ELECTRICAL REQUIREMENTS - U.S.A.....	10
ELECTRICAL REQUIREMENTS - CANADA.....	11
REMOVE SHIPPING STRAP.....	12
INSTALL LEVELING LEGS.....	13
REMOVE FOAM PACKING (24" models).....	13
ELECTRICAL CONNECTION (U.S.A. ONLY)	14
VENTING.....	26
Venting Requirements.....	26
Plan Vent System.....	27
Install Vent System.....	28
CONNECT DRAIN HOSE.....	29
CONNECT INLET HOSES.....	30
CONNECT VENT.....	31
LEVEL WASHER/DRYER.....	32
COMPLETE INSTALLATION CHECKLIST	33

Table des matières

SÉCURITÉ DE LA LAVEUSE/SÉCHEUSE	34
EXIGENCES D'INSTALLATION	36
Outillage et pièces	36
EXIGENCES D'EMPLACEMENT	38
DIMENSIONS/DISTANCES DE DÉGAGEMENT	39
SYSTÈME DE VIDANGE	41
SPÉCIFICATIONS ÉLECTRIQUES - CANADA.....	42
ENLEVER LA SANGLE D'EXPÉDITION	43
INSTALLATION DES PIEDS DE NIVELLEMENT	44
ENLEVER L'EMBALLAGE EN MOUSSE (modèles de 24")	44
ÉVACUATION	45
Exigences concernant l'évacuation	45
Planification du système d'évacuation	46
Installation du conduit d'évacuation	47
RACCORDEMENT DU TUYAU DE VIDANGE.....	48
RACCORDEMENT DES TUYAUX D'ARRIVÉE D'EAU.....	49
RACCORDEMENT DU CONDUIT D'ÉVACUATION	50
ÉTABLISSEMENT DE L'APLOMB DE LA LAVEUSE/SÉCHEUSE.....	51
LISTE DE VÉRIFICATION POUR L'ACHÈVEMENT DE L'INSTALLATION	52

Índice

SEGURIDAD DE LA LAVADORA/SECADORA	54
REQUISITOS DE INSTALACIÓN	56
Herramientas y piezas	56
REQUISITOS DE UBICACIÓN.....	58
DIMENSIONES Y ESPACIOS LIBRES.....	59
SISTEMA DE DESAGÜE.....	61
REQUISITOS ELÉCTRICOS	62
QUITE EL FLEJE DE EMBALAJE.....	64
INSTALACIÓN DE LAS PATAS NIVELADORAS.....	65
QUITE EL EMBALAJE DE HULE ESPUMA (modelos de 24")	65
CONEXIÓN ELÉCTRICA.....	66
VENTILACIÓN	78
Requisitos de ventilación	78
Planificación del sistema de ventilación.....	79
Instalación del sistema de ventilación	80
CONECTE LA MANGUERA DE DESAGÜE.....	81
CONECTE LAS MANGUERAS DE ENTRADA.....	82
CONECTE EL DUCTO DE ESCAPE.....	83
NIVELACIÓN DE LA LAVADORA/SECADORA.....	84
LISTA DE CONTROL PARA LA REALIZACIÓN DE LA INSTALACIÓN.....	85

INSTALLATION NOTES

Date of purchase: _____
Date of installation: _____
Installer: _____
Model number: _____
Serial number: _____

NOTES CONCERNANT L'INSTALLATION

Date d'achat : _____
Date d'installation : _____
Installateur : _____
Numéro de modèle : _____
Numéro de série : _____

NOTAS DE INSTALACIÓN

Fecha de la compra: _____
Fecha de la instalación: _____
Instalador: _____
Número de modelo: _____
Número de serie: _____

Washer/Dryer Safety

Your safety and the safety of others are very important.

We have provided many important safety messages in this manual and on your appliance. Always read and obey all safety messages.



This is the safety alert symbol.

This symbol alerts you to potential hazards that can kill or hurt you and others.

All safety messages will follow the safety alert symbol and either the word "DANGER" or "WARNING."

These words mean:

⚠ DANGER

You can be killed or seriously injured if you don't immediately follow instructions.

⚠ WARNING

You can be killed or seriously injured if you don't follow instructions.

All safety messages will tell you what the potential hazard is, tell you how to reduce the chance of injury, and tell you what can happen if the instructions are not followed.



WARNING - "Risk of Fire"

- Clothes dryer installation must be performed by a qualified installer.
- Install the clothes dryer according to the manufacturer's instructions and local codes.
- Do not install a clothes dryer with flexible plastic venting materials or flexible metal (foil type) duct. If flexible metal duct is installed, it must be of a specific type identified by the appliance manufacturer as suitable for use with clothes dryers. Flexible venting materials are known to collapse, be easily crushed, and trap lint. These conditions will obstruct clothes dryer airflow and increase the risk of fire.
- To reduce the risk of severe injury or death, follow all installation instructions.
- Save these instructions.

IMPORTANT: When discarding or storing your old clothes dryer, remove the door.

IMPORTANT SAFETY INSTRUCTIONS

WARNING: To reduce the risk of fire, electric shock, or injury to persons when using the washer/dryer, follow basic precautions, including the following:

- Read all instructions before using the washer/dryer.
- Do not place items exposed to cooking oils in your dryer. Items contaminated with cooking oils may contribute to a chemical reaction that could cause a load to catch fire.
- Do not wash or dry articles that have been previously cleaned in, washed in, soaked in, or spotted with gasoline, dry-cleaning solvents, other flammable, or explosive substances as they give off vapors that could ignite or explode.
- Do not add gasoline, dry-cleaning solvents, or other flammable, or explosive substances to the wash water. These substances give off vapors that could ignite or explode.
- Do not allow children to play on or in the washer/dryer. Close supervision of children is necessary when the washer/dryer is used near children.
- Before the washer/dryer is removed from service or discarded, remove the doors to the washer/dryer compartments.
- Do not reach into the washer/dryer if the tub, agitator or drum is moving.
- Do not install or store the washer/dryer where it will be exposed to the weather.
- Do not tamper with controls.
- Clean dryer lint screen before or after each load.
- Under certain conditions, hydrogen gas may be produced in a hot water system that has not been used for 2 weeks or more. **HYDROGEN GAS IS EXPLOSIVE.** If the hot water system has not been used for such a period, before using the washing machine, turn on all hot water faucets and let the water flow from each for several minutes. This will release any accumulated hydrogen gas. As the gas is flammable, do not smoke or use an open flame during this time.
- Do not repair or replace any part of the washer/dryer or attempt any servicing unless specifically recommended in this Use and Care Guide or in published user-repair instructions that you understand and have the skills to carry out.
- Do not use fabric softeners or products to eliminate static unless recommended by the manufacturer of the fabric softener or product.
- Do not use heat to dry articles containing foam rubber or similarly textured rubber-like materials.
- Keep area around the exhaust opening and adjacent surrounding areas free from the accumulation of lint, dust, and dirt.
- The interior of the machine and dryer exhaust vent should be cleaned periodically by qualified service personnel.
- See "Electrical Requirements" section of the Installation Instructions booklet for grounding instructions.

SAVE THESE INSTRUCTIONS

State of California Proposition 65 Warnings:

WARNING: This product contains one or more chemicals known to the State of California to cause cancer.

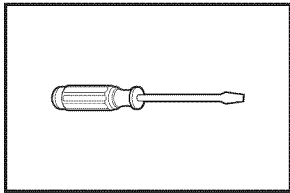
WARNING: This product contains one or more chemicals known to the State of California to cause birth defects or other reproductive harm.

Installation Requirements

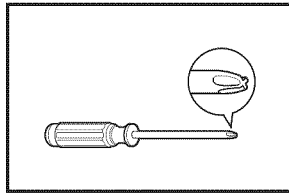
Tools and Parts

Gather required tools and parts before starting installation.

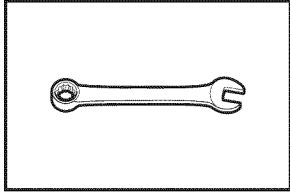
Tools needed:



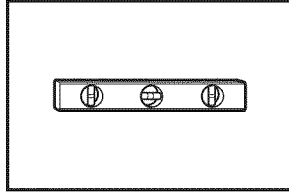
Flat-blade screwdriver



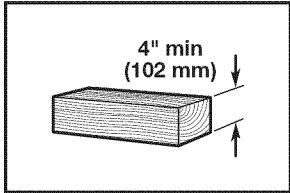
#2 Phillips screwdriver



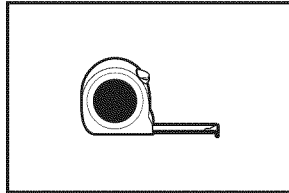
Adjustable or open-end wrench 9/16" (14 mm)



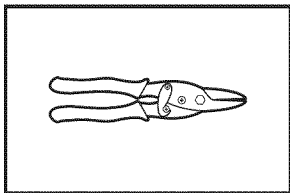
Level



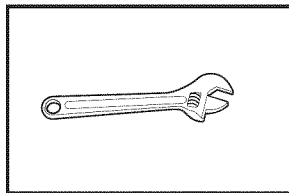
Wood block



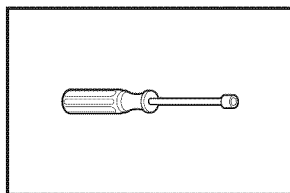
Ruler or measuring tape



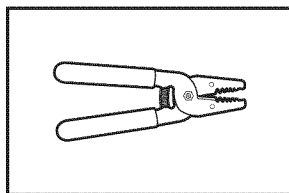
Tin snips (new vent installations)



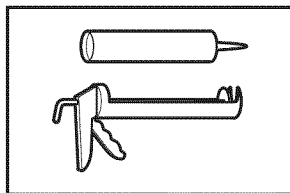
Adjustable wrench that opens to 1" (25 mm) or hex-head socket wrench



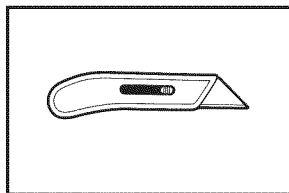
1/4" nut driver (recommended)



Wire stripper

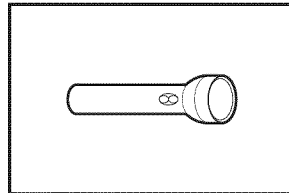


Caulking gun and compound (new vent installations)

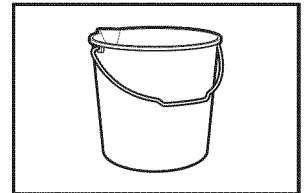


Utility knife

Optional tools:



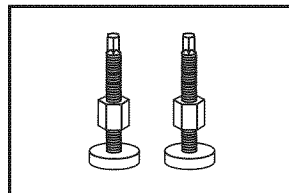
Flashlight



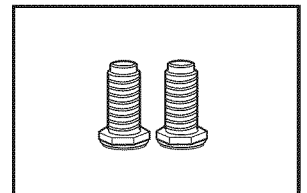
Bucket

Parts supplied:

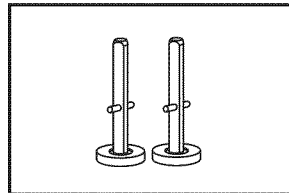
NOTE: Remove parts package from the washer basket. Check that all parts were included.



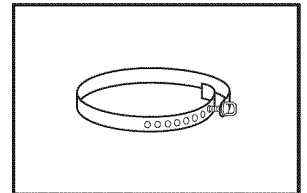
Front leveling feet with nuts (2) (27" models)



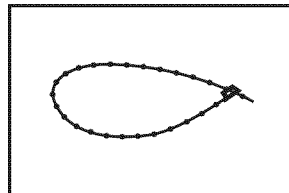
Front leveling legs (2) (24" models)



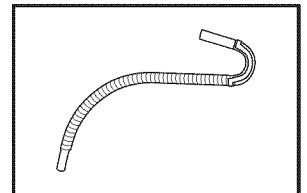
Rear leveling legs (2) (24" models)



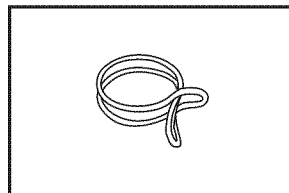
Shipping strap (27" models) (Not in parts bag. See "Remove Shipping Strap.")



Plastic strap (24" models)

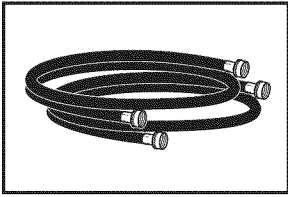


Drain hose



Silver double-wire hose clamp

Parts needed: (Not supplied with washer/dryer)



Inlet hoses with flat washers

- Vent clamps
- Vent elbows and ductwork

Check local codes, electrical supply and venting, and read “Electrical Requirements” and “Venting Requirements” before purchasing parts. Mobile home installations require metal exhaust system hardware available for purchase from the dealer from whom you purchased your washer/dryer. For further information, please reference the “Assistance or Service” section of the Washer/Dryer Use and Care Guide.

Optional equipment: (Not supplied with washer/dryer)

Refer to your Use and Care Guide for information about accessories available for your washer/dryer.

Alternate parts: (Not supplied with washer/dryer)

Your installation may require additional parts. To order, please refer to toll-free numbers on back page of your Use and Care Guide.

If you have:

Overhead sewer

Floor drain

1" (25 mm) standpipe

Laundry tub or standpipe taller than 96" (2.4 m)

Drain hose too short

Lint clogged drain

Water faucets beyond reach of fill hoses

You will need:

Standard 20 gal. (76 L) 39" (991 mm) tall Drain Tub or Utility Sink, Sump Pump and Connectors (available from local plumbing suppliers)

Siphon Break Part Number 285320, Additional Drain Hose Part Number 285702, and Connector Kit Part Number 285442

2" (51 mm) diameter to 1" (25 mm) diameter Standpipe Adapter Part Number 3363920, Connector Kit Part Number 285835

Sump pump system (if not already available)


Extension Drain Hose Part Number 285863, Connector Kit Part Number 285835

Drain Protector Part Number 367031, Connector Kit Part Number 285835

2 longer water fill hoses:
6 ft (1.8 m) Part Number 76314,
10 ft (3.0 m) Part Number 350008

Location Requirements

⚠ WARNING



Explosion Hazard

Keep flammable materials and vapors, such as gasoline, away from dryer.

Do not install in a garage.

Failure to do so can result in death, explosion, or fire.

Select proper location for your washer/dryer to improve performance and minimize noise and possible “washer walk.” Install your washer/dryer in a basement, laundry room, closet, or recessed area.

You will need:

- A location that allows for proper exhaust installation. See “Venting Requirements.”
- A separate 30-amp circuit.
- If you are using a power supply cord, a grounded electrical outlet located within 2 ft (610 mm) of either side of the washer/dryer. See “Electrical Requirements.”
- A sturdy floor to support the washer/dryer weight (washer/dryer, water, and load) of 500 lbs (226.8 kg).
- A level floor with a maximum slope of 1" (25 mm) under entire washer/dryer. Clothes may not tumble properly and automatic sensor cycles may not operate correctly if washer/dryer is not level. Installing on carpet is not recommended.
- A water heater set to deliver 120°F (49°C) water to the washer.
- Hot and cold water faucets located within 4 ft (1.2 m) of the hot and cold water fill valves, and water pressure of 5–100 psi (34.5–689.6 kPa).

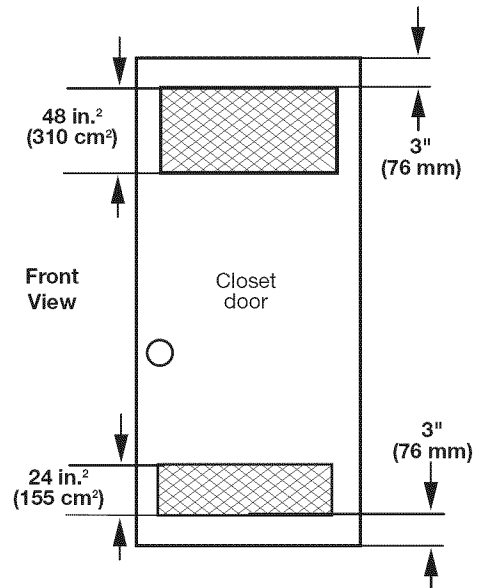
The washer/dryer must not be installed or stored in an area where it will be exposed to water and/or weather.

Do not operate your washer in temperatures at or below 32°F (0°C). Some water can remain in the washer and can cause damage in low temperatures. See “Washer/Dryer Care” in the Washer/Dryer Use and Care Guide for winterizing information.

Do not operate your dryer at temperatures below 45°F (7°C). At lower temperatures, the dryer might not shut off at the end of an automatic cycle. This can result in longer drying times.

Check code requirements. Some codes limit, or do not permit, installation of the washer/dryer in garages, closets, mobile homes, or sleeping quarters. Contact your local building inspector.

Recessed area or closet installation



The spacing dimensions above are recommended for this washer/dryer. This washer/dryer has been tested for spacing of 0" (0 mm) clearance on the sides. Recommended spacing should be considered for the following reasons:

- Additional spacing should be considered for ease of installation and servicing.
- Additional clearances might be required for wall, door, and floor moldings.
- Additional spacing on all sides of the washer/dryer is recommended to reduce noise transfer.
- For closet installation, with a door, minimum ventilation openings in the top and bottom of the door are required. Louvered doors with equivalent ventilation openings are acceptable.

Mobile Home – Additional Installation Requirements

This washer/dryer is suitable for mobile home installations. The installation must conform to the Manufactured Home Construction and Safety Standard, Title 24 CFR, Part 3280 (formerly the Federal Standard for Mobile Home Construction and Safety, Title 24, HUD Part 280) or the Canadian Manufactured Home Standard, CAN/CSA-Z240 MH.

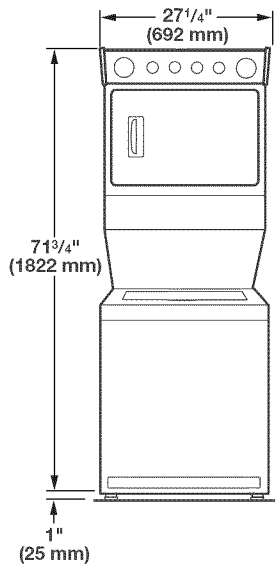
Mobile home installations require:

- Metal exhaust system hardware, which is available for purchase from your dealer.
- Special provisions must be made in mobile homes to introduce outside air into the dryer. The opening (such as a nearby window) should be at least twice as large as the dryer exhaust opening.

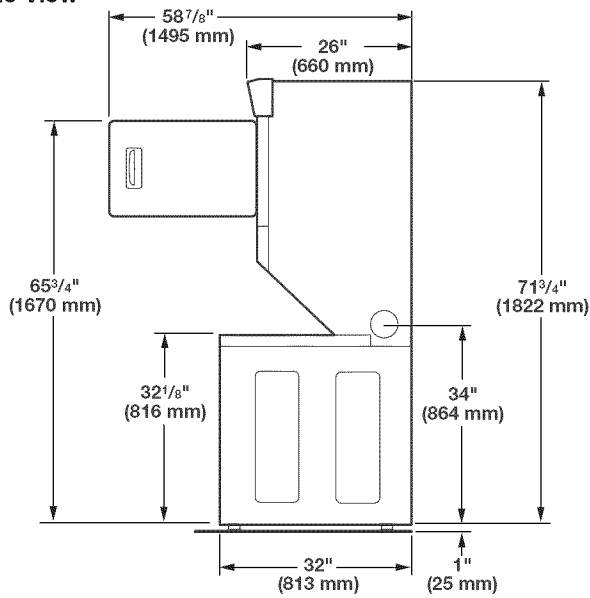
Dimensions/Clearances, 27" Models

Dimensions

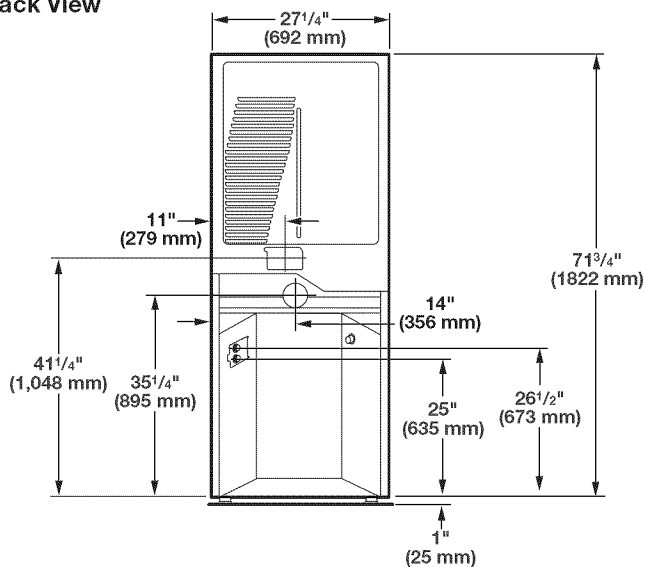
Front View



Side View

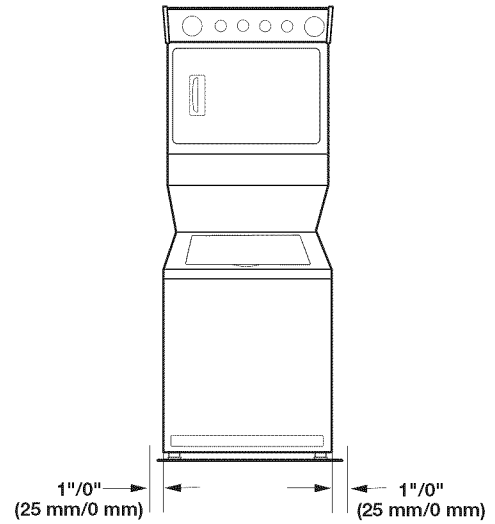


Back View

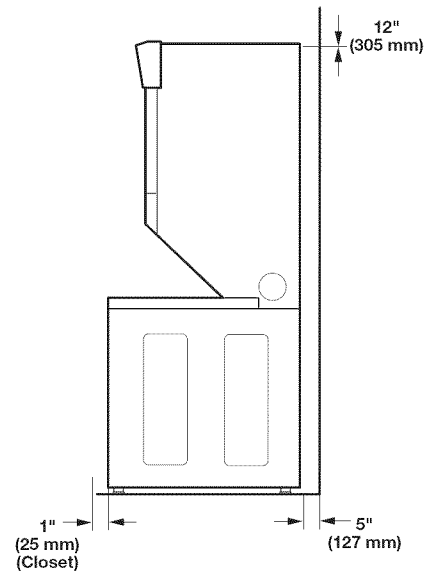


Clearances

Side Clearances (recommended/minimum)



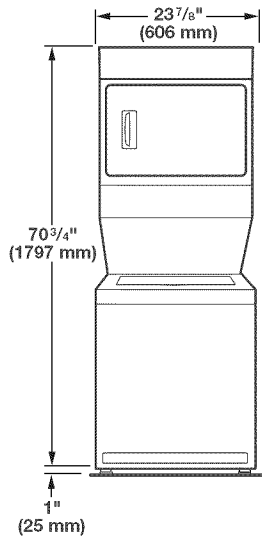
Front/Back/Top Clearances



Dimensions/Clearances, 24" Models

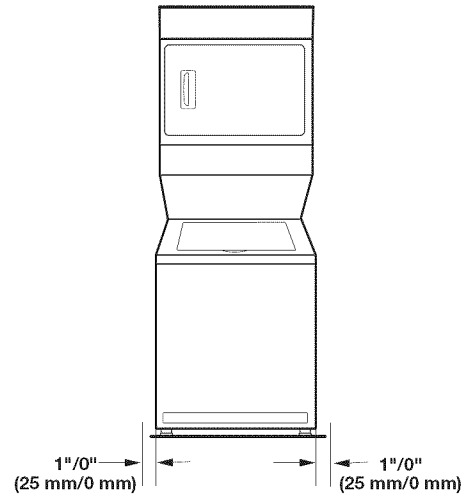
Dimensions

Front View

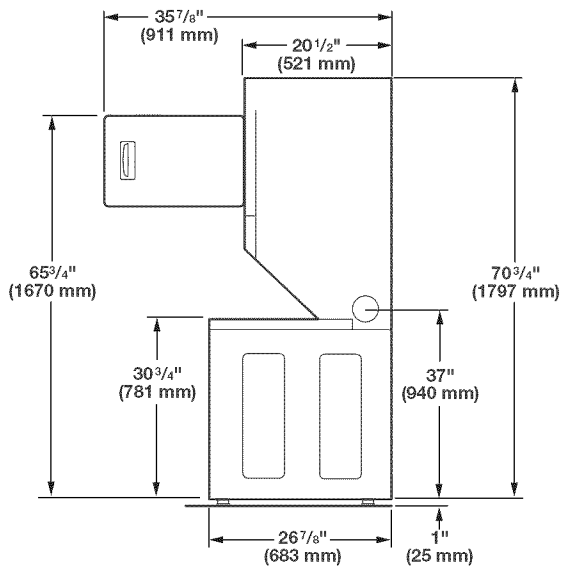


Clearances

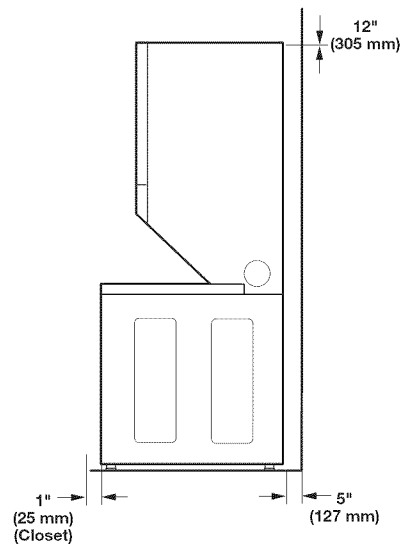
Side Clearances (recommended/minimum)



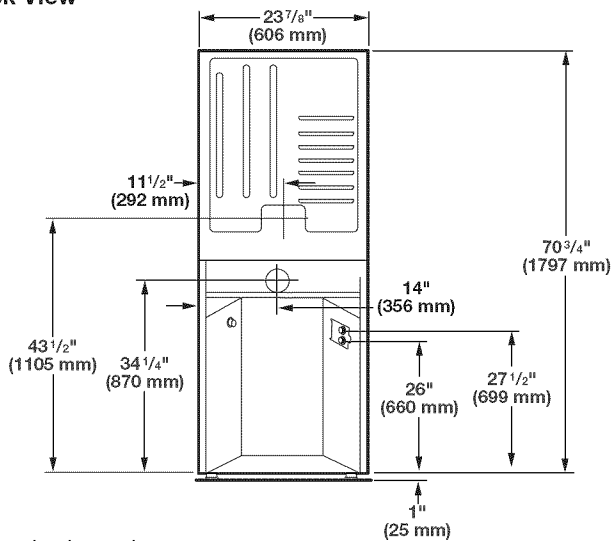
Side View



Front/Back/Top Clearances



Back View



*Required spacing.

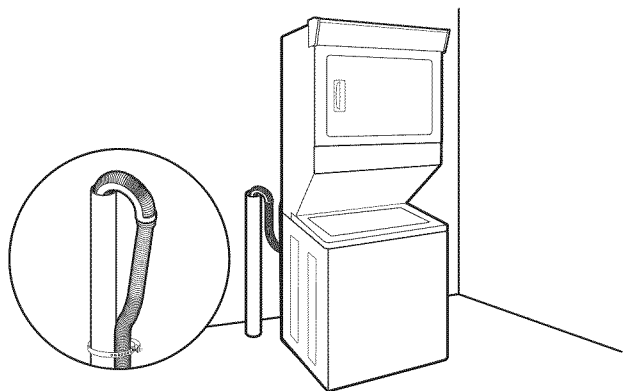
**Rear clearance may be 0" (0 mm) when house exhaust system is lined up directly with dryer exhaust.

Drain System

Drain system can be installed using a floor drain, wall standpipe, floor standpipe, or laundry tub. Select method you need.

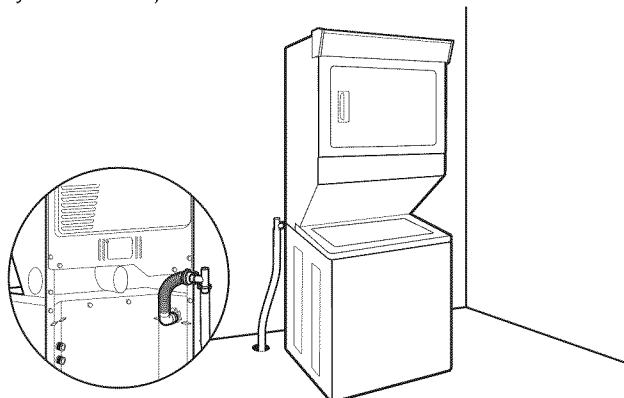
Floor standpipe drain system

Minimum diameter for a standpipe drain: 2" (51 mm). Minimum carry-away capacity: 17 gal. (64 L) per minute. Top of standpipe must be at least 39" (991 mm) high; install no higher than 96" (2.4 m) from bottom of washer/dryer. If you must install higher than 96" (2.4 m), you will need a sump pump system.



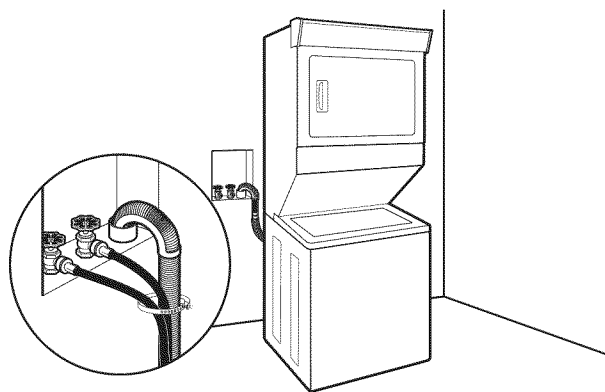
Floor drain system

Floor drain system requires a Siphon Break Kit (Part Number 285834), 2 Connector Kits (Part Number 285385), and an Extension Drain Hose (Part Number 285863) that may be purchased separately. To order, please see toll-free phone numbers in your Use and Care Guide. Minimum siphon break: 28" (710 mm) from bottom of washer/dryer. (Additional hoses may be needed.)



Wall standpipe drain system

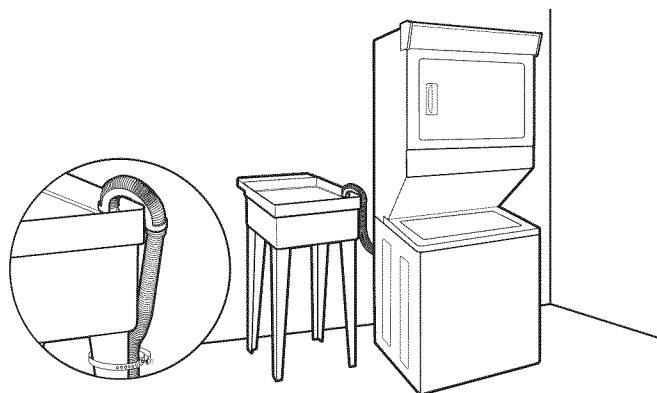
See requirements for floor standpipe drain system.



Laundry tub drain system

Minimum capacity: 20 gal. (76 L). Top of laundry tub must be at least 39" (991 mm) above floor on 27" models, or 34" (864 mm) above floor on 24" models; install no higher than 96" (2.4 m) from bottom of washer/dryer.

IMPORTANT: To avoid siphoning, no more than 4.5" (114 mm) of drain hose should be inside standpipe or below the top of wash tub. Secure drain hose with shipping strap or plastic strap.



Electrical Requirements – U.S.A.

⚠ WARNING



Electrical Shock Hazard

Plug into a grounded 3 or 4 prong outlet.

Do not remove ground prong.

Do not use an adapter.

Do not use an extension cord.

Failure to follow these instructions can result in death, fire, or electrical shock.

- It is recommended that a separate circuit breaker serving only this appliance be provided.
- To minimize possible shock hazard, the cord must be plugged into a mating, 3- or 4-prong, grounding-type outlet, grounded in accordance with local codes and ordinances. If a mating outlet is not available, it is the personal responsibility and obligation of the customer to have the properly grounded outlet installed by a qualified electrician.
- If codes permit and a separate ground wire is used, it is recommended that a qualified electrician determine that the ground path is adequate.
- Check with a qualified electrician if you are not sure the washer is properly grounded.
- Do not have a fuse in the neutral or ground circuit.

It is your responsibility:

- To contact a qualified electrical installer.
- To be sure that the electrical connection is adequate and in conformance with the National Electrical Code, ANSI/NFPA 70-latest edition and all local codes and ordinances.
A copy of the above code standards can be obtained from: National Fire Protection Association, One Batterymarch Park, Quincy, MA 02269.
- To supply the required 3 or 4 wire, single phase, 120/240 volt, 60 Hz., AC only electrical supply (or 3 or 4 wire, 120/208 volt electrical supply, if specified on the serial/rating plate) on a separate 30-amp circuit, fused on both sides of the line. A time-delay fuse or circuit breaker is recommended. Connect to an individual branch circuit.
- Do not use an extension cord.

Electrical Connection

To properly install your washer/dryer, you must determine the type of electrical connection you will be using and follow the instructions provided for it here.

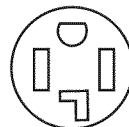
- This washer/dryer is manufactured ready to install with a 3-wire electrical supply connection. The neutral ground wire is permanently connected to the neutral conductor (white wire) within the dryer. If the dryer is installed with a 4-wire electrical supply connection, the neutral ground wire must be removed from the external ground connector (green screw), and secured under the neutral terminal (center or white wire) of the terminal block. When the neutral ground wire is secured under the neutral terminal (center or white wire) of the terminal block, the dryer cabinet is isolated from the neutral conductor.
- If local codes do not permit the connection of a neutral ground wire to the neutral wire, see “Optional 3-wire connection” in the “Electrical Connection” section.
- A 4-wire power supply connection must be used when the appliance is installed in a location where grounding through the neutral conductor is prohibited. Grounding through the neutral is prohibited for (1) new branch-circuit installations, (2) mobile homes, (3) recreational vehicles, and (4) areas where local codes prohibit grounding through the neutral conductors.

If using a power supply cord:

Use a UL listed power supply cord kit marked for use with clothes dryers. The kit should contain:

- A UL listed 30-amp power supply cord, rated 120/240 volt minimum. The cord should be type SRD or SRDT and be at least 4 ft (1.22 m) long. The wires that connect to the dryer must end in ring terminals or spade terminals with upturned ends.
- A UL-listed strain relief.

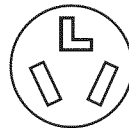
If your outlet looks like this:



4-wire
receptacle
(14-30R)

Then choose a 4-wire power supply cord with ring or spade terminals and UL-listed strain relief. The 4-wire power supply cord, at least 4 ft (1.22 m) long, must have four 10-gauge copper wires and match a 4-wire receptacle of NEMA Type 14-30R. The ground wire (ground conductor) may be either green or bare. The neutral conductor must be identified by a white cover.

If your outlet looks like this:



3-wire
receptacle
(10-30R)

Then choose a 3-wire power supply cord with ring or spade terminals and UL-listed strain relief. The 3-wire power supply cord, at least 4 ft (1.22 m) long, must have three 10-gauge copper wires and match a 3-wire receptacle of NEMA Type 10-30R.

If connecting by direct wire:

Power supply cable must match power supply (4-wire or 3-wire) and be:

- Flexible armored cable or nonmetallic sheathed copper cable (with ground wire), covered with flexible metallic conduit. All current-carrying wires must be insulated.
- 10-gauge solid copper wire (do not use aluminum).
- At least 5 ft (1.52 m) long.

Electrical Requirements – Canada

GROUNDING INSTRUCTIONS

For a grounded, cord-connected washer/dryer:

This washer/dryer must be grounded. In the event of a malfunction or breakdown, grounding will reduce the risk of electrical shock by providing a path of least resistance for electric current. This washer/dryer is equipped with a cord having an equipment-grounding conductor and a grounding plug. The plug must be plugged into an appropriate outlet that is properly installed and grounded in accordance with all local codes and ordinances.

WARNING: Improper connection of the equipment-grounding conductor can result in a risk of electric shock. Check with a qualified electrician or serviceman if you are in doubt as to whether the appliance is properly grounded.

Do not modify the plug provided with the appliance – if it will not fit the outlet, have a proper outlet installed by a qualified electrician.

For a permanently connected washer/dryer:

This washer/dryer must be connected to a grounded metal, permanent wiring system, or an equipment grounding conductor must be run with the circuit conductors and connected to the equipment-grounding terminal or lead on the appliance.

SAVE THESE INSTRUCTIONS

WARNING



Electrical Shock Hazard

Plug into a grounded 4 prong outlet.

Failure to do so can result in death or electrical shock.

It is your responsibility:

- To contact a qualified electrical installer.
- To be sure that the electrical connection is adequate and in conformance with Canadian Electrical Code, C22.1 – latest edition and all local codes. A copy of above codes standard may be obtained from: Canadian Standards Association, 178 Rexdale Blvd., Toronto, ON M9W 1R3 CANADA.
- To supply the required 4-wire, single-phase, 120/240 volt, 60 Hz, AC-only electrical supply on a separate 30-amp circuit, fused on both sides of the line. A time-delay fuse or circuit breaker is recommended. Connect to an individual branch circuit.
- This dryer is equipped with a CSA International Certified Power Cord intended to be plugged into a standard 14-30R wall receptacle. The cord is 5 ft. (1.52 m) long. Be sure wall receptacle is within reach of dryer's final location.



4-wire receptacle
(14-30R)

If using a replacement power supply cord, it is recommended that you use Power Supply Cord Replacement Part Number 9831317.

For further information, please reference service numbers located in “Assistance or Service” section of your Use and Care Guide.

GROUNDING INSTRUCTIONS

- For a grounded, cord-connected washer/dryer:
This washer/dryer must be grounded. In the event of a malfunction or breakdown, grounding will reduce the risk of electric shock by providing a path of least resistance for electric current. This washer/dryer is equipped with a cord having an equipment-grounding conductor and a grounding plug. The plug must be plugged into an appropriate outlet that is properly installed and grounded in accordance with all local codes and ordinances.

WARNING: Improper connection of the equipment-grounding conductor can result in a risk of electric shock. Check with a qualified electrician or service representative or personnel if you are in doubt as to whether the washer/dryer is properly grounded. Do not modify the plug provided with the washer/dryer: if it will not fit the outlet, have a proper outlet installed by a qualified electrician.

SAVE THESE INSTRUCTIONS

Remove Shipping Strap (27" models)

⚠ WARNING

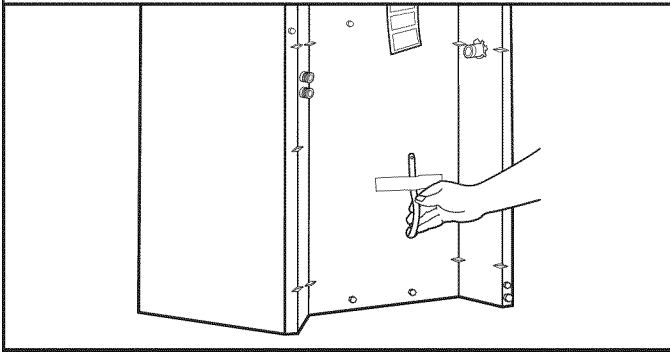
Excessive Weight Hazard

Use two or more people to move and install washer/dryer.

Failure to do so can result in back or other injury.

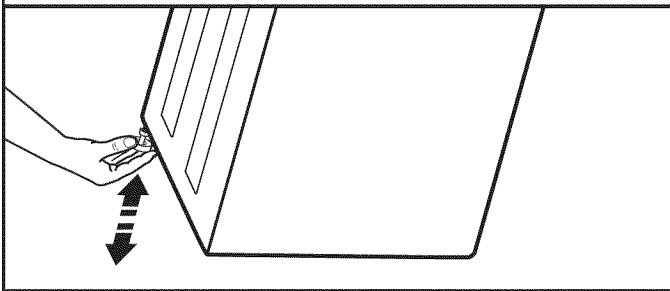
To avoid floor damage, set washer/dryer onto cardboard before moving across floor. Move washer/dryer close to its final location.

1. Remove strap, hang tag, and pin



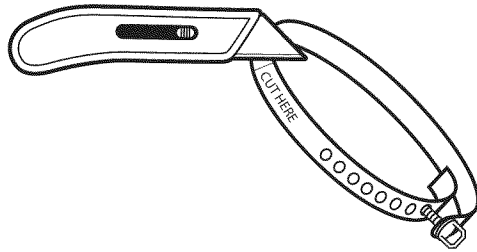
Do not cut yellow strap. Pull yellow strap firmly, until completely removed from washer/dryer. There should be 2 cotter pins on the end of the shipping strap. Remove the hang tag and pin from the vent pipe.

2. Check rear leveling legs



Tilt the washer/dryer forward. Move each of the 2 rear legs in an up-down motion to check the self-adjusting leveling legs for free movement. This is required for proper leveling. Gently lower the washer/dryer to the floor.

3. Cut shipping strap



Cut the shipping strap about 16" (406 mm) from the plug end. Look for the words "CUT HERE." Discard end with cotter pins. You will use the remaining piece of shipping strap to secure the drain hose.

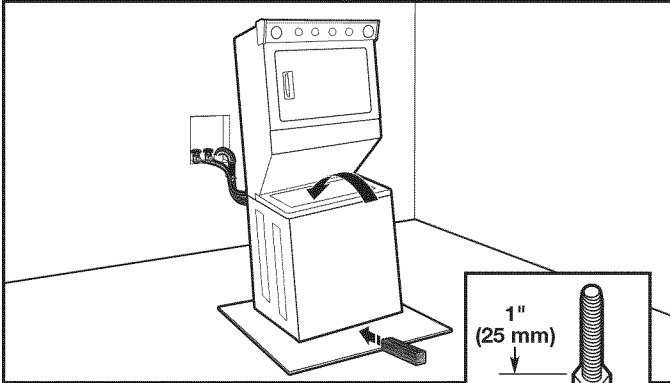
Install Leveling Legs (27" models)

⚠ WARNING

Excessive Weight Hazard

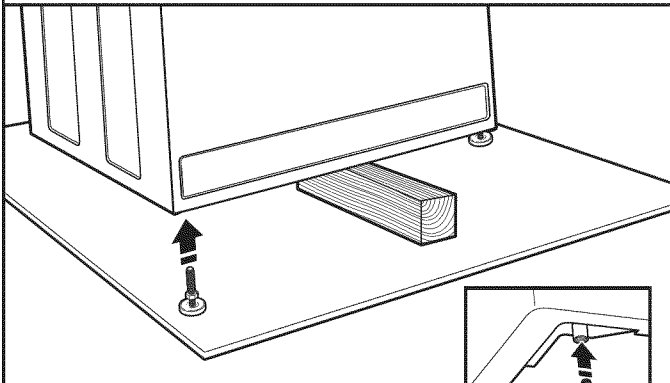
Use two or more people to move and install washer/dryer.
Failure to do so can result in back or other injury.

1. Prepare to install leveling feet



Prop up the front of the washer/dryer about 4" (102 mm) with a wood block or similar object that will support the weight of the washer/dryer. Then screw the locknut onto each foot to within 1" (25 mm) of the foot base.

2. Install front leveling feet



Screw the feet into the threaded holes at the front corners of the washer/dryer until the jam nuts touch the washer.

NOTE: Do not tighten the nuts until the washer/dryer is level.

Tilt the washer/dryer back and remove the wood block. Gently lower the washer/dryer to the floor.

Install Leveling Legs (24" models)

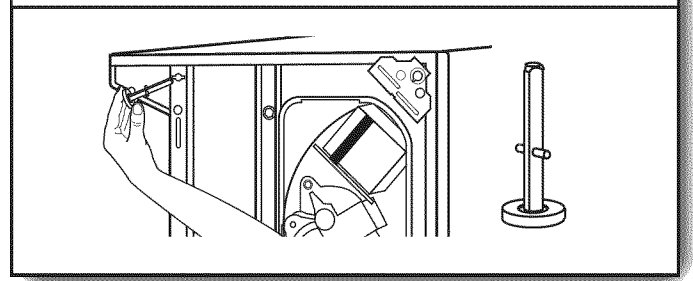
⚠ WARNING

Excessive Weight Hazard

Use two or more people to move and install washer/dryer.
Failure to do so can result in back or other injury.

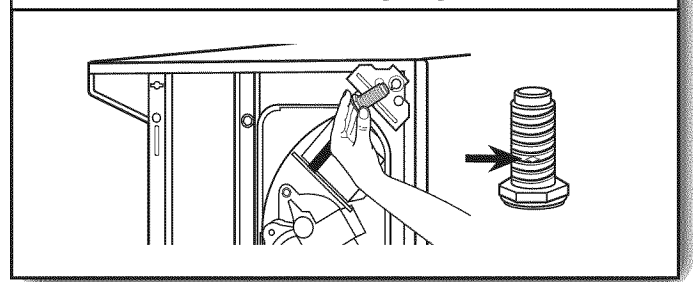
To protect the floor, use a large flat piece of cardboard from the shipping carton. Gently place the washer/dryer on its side, on the cardboard.

1. Install rear leveling legs



Push legs into holes in rear corners until they snap into place. Check adjustability of rear legs by pushing in one leg. The other leg should come out. Check both legs. If they do not move freely, repeat procedure.

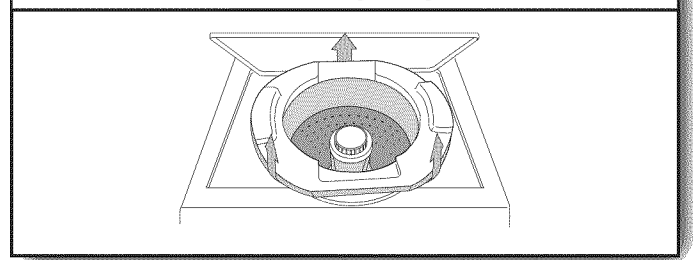
2. Install front leveling legs



Examine front leveling legs; find diamond marking. Screw front legs by hand into holes in triangular braces in front corners. Use wrench to finish turning the legs until diamond marking is no longer visible. Gently stand the washer/dryer upright.

Remove Foam Packing (24" models)

1. Pull foam packing ring out of washer




Open the washer lid. The latch under the dryer will keep the lid open. Pull the foam packing ring out of the washer. **NOTE:** Keep the foam ring and use it when transporting your washer/dryer. This packing material is used to keep the washer tub stable during transport.

Electrical Connection, 27" models (U.S.A. Only)

Power Supply Cord

⚠ WARNING



Fire Hazard

Use a new UL listed 30 amp power supply cord.

Use a UL listed strain relief.

Disconnect power before making electrical connections.

Connect neutral wire (white or center wire) to center terminal.

Ground wire (green or bare wire) must be connected to green ground connector.


Connect remaining 2 supply wires to remaining 2 terminals (gold).

Securely tighten all electrical connections.

Failure to do so can result in death, fire, or electrical shock.

Direct Wire

⚠ WARNING



Fire Hazard

Use 10 gauge copper wire.

Use a UL listed strain relief.

Disconnect power before making electrical connections.

Connect neutral wire (white or center wire) to center terminal.

Ground wire (green or bare wire) must be connected to green ground connector.


Connect remaining 2 supply wires to remaining 2 terminals (gold).

Securely tighten all electrical connections.

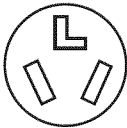
Failure to do so can result in death, fire, or electrical shock.

Electrical Connection Options

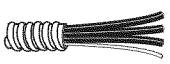
1. Choose electrical connection type




Power supply cord 4-wire receptacle (NEMA Type 14-30R): Go to "4-wire Power Supply Cord Connection" section. Then, go to "Venting Requirements."



Power supply cord 3-wire receptacle (NEMA Type 10-30R): Go to "3-wire Power Supply Cord Connection" section. Then go to "Venting Requirements."

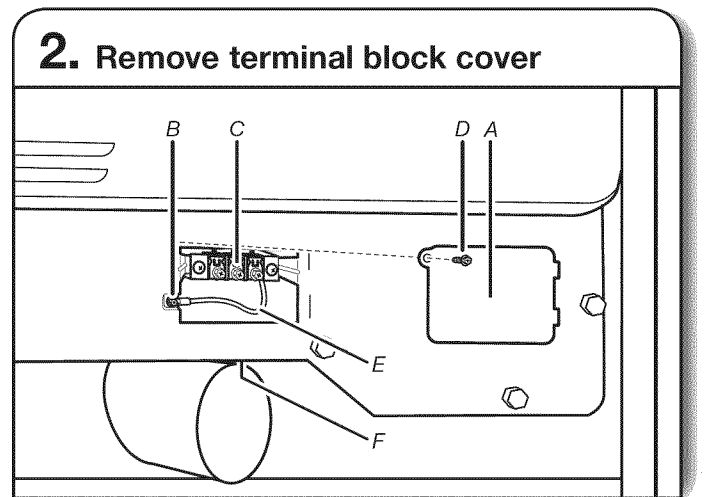


4-wire direct connection: Go to "4-wire Direct Wire Connection" section. Then go to "Venting Requirements."



3-wire direct connection: Go to "3-wire Direct Wire Connection" section. Then go to "Venting Requirements."

NOTE: If local codes do not permit connection of a cabinet-ground conductor to neutral wire, go to "Optional 3-wire Connection" section. This connection may be used with either a power supply cord or a direct wire connection.



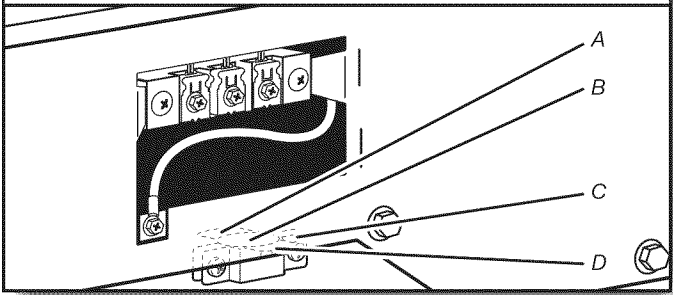
Before you start, disconnect power. Remove hold-down screw (D) and terminal block cover (A).

- A. Terminal block cover
- B. External ground conductor screw
- C. Center terminal block screw
- D. Hold-down screw
- E. Neutral ground wire
- F. Hole below terminal block cover

Power Supply Cord Connection

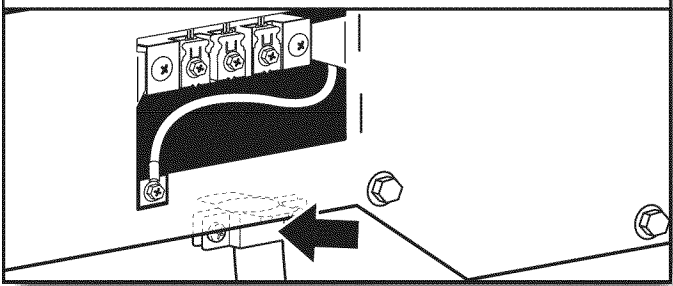
Power Supply Cord Strain Relief

1. Attach power supply cord strain relief



Remove the screws from a 3/4" (19 mm) UL-listed strain relief (UL marking on strain relief). Put the tabs of the two clamp sections (C) into the hole below the terminal block opening (B) so that one tab is pointing up (A) and the other is pointing down (D), and hold in place. Tighten strain relief screws just enough to hold the two clamp sections (C) together.

2. Attach power supply cord to strain relief



Put power supply cord through the strain relief. Be sure that the wire insulation on the power supply cord is inside the strain relief. The strain relief should have a tight fit with the dryer cabinet and be in a horizontal position. Do not further tighten strain relief screws at this point.

If your outlet looks like this:



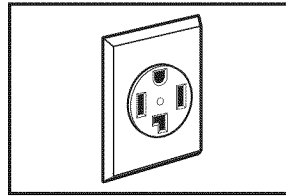
Power supply cord 4-wire receptacle (NEMA Type 14-30R):
Go to "4-Wire Power Supply Cord Connection" on this page.



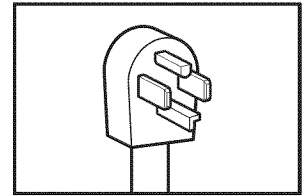
Power supply cord 3-wire receptacle (NEMA Type 10-30R):
Go to "3-Wire Power Supply Cord Connection" on page 16.

4-Wire Power Supply Cord Connection

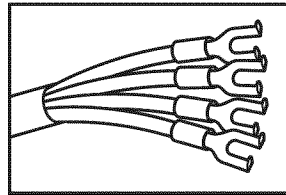
IMPORTANT: A 4-wire connection is required for mobile homes and where local codes do not permit the use of 3-wire connections.



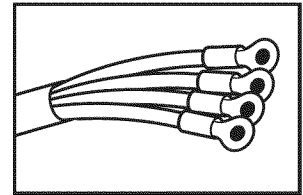
4-wire receptacle (NEMA type 14-30R)



4-prong plug

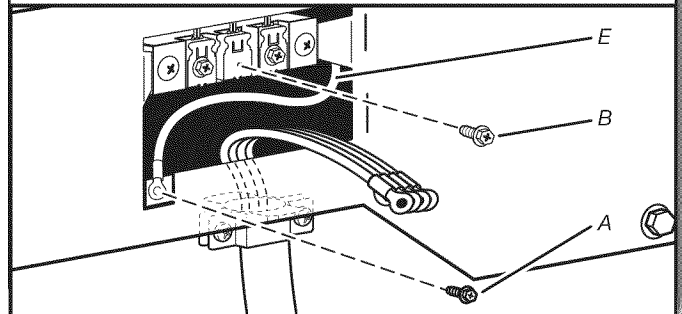


Spade terminals with upturned ends



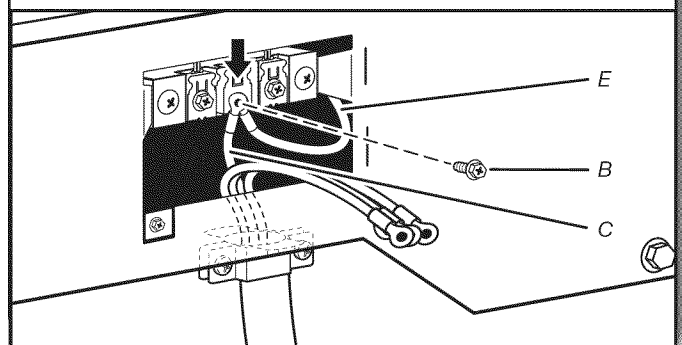
Ring terminals

1. Prepare to connect neutral ground wire and neutral wire



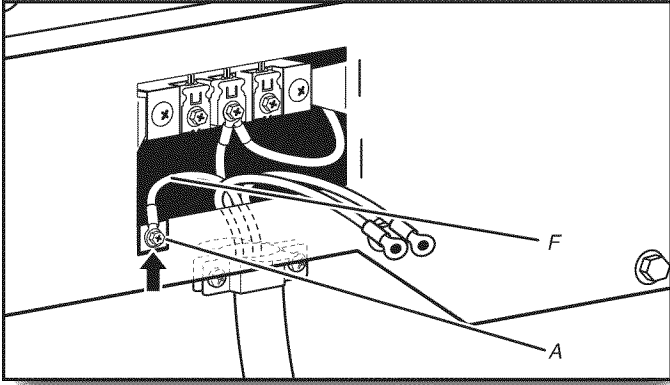
Remove center terminal block screw (B). Remove neutral ground wire (E) from external ground conductor screw (A).

2. Connect neutral ground wire and neutral wire



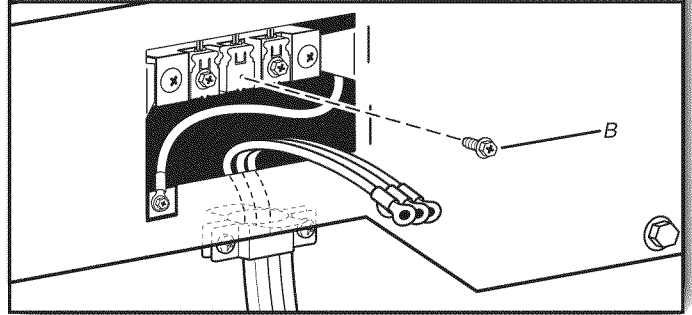
Connect neutral ground wire (E) and neutral wire (white or center) (C) of power supply cord under center terminal block screw (B). Tighten screw.

3. Connect ground wire



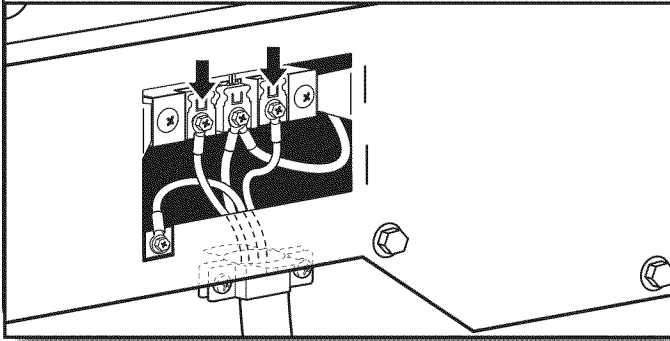
Connect ground wire (F) (green or bare) of power supply cord to external ground conductor screw (A). Tighten screw.

1. Remove center screw



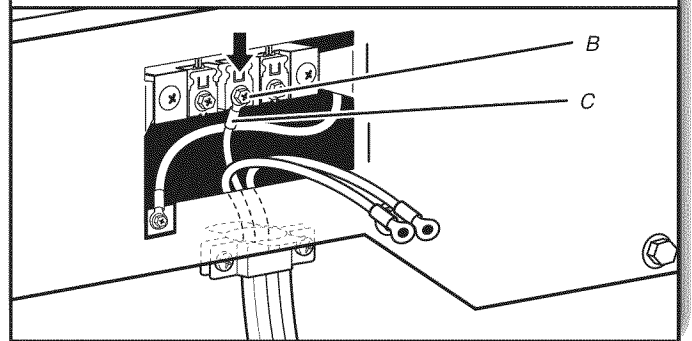
Remove center terminal block screw (B).

4. Connect remaining wires



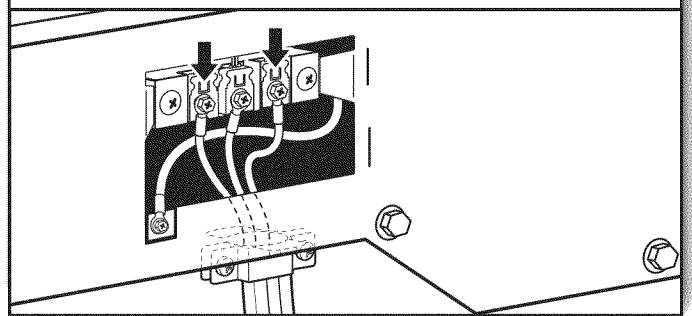
Connect remaining wires to outer terminal block screws. Tighten screws. Finally, reinsert tab of terminal block cover into slot of dryer rear panel. Secure cover with hold-down screw. Now, go to "Venting Requirements."

2. Connect neutral wire



Connect neutral wire (white or center) (C) of power supply cord to center terminal block screw (B). Tighten screw.

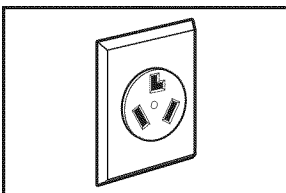
3. Connect remaining wires



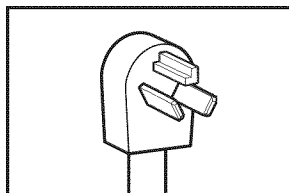
Connect remaining wires to outer terminal block screws. Tighten screws. Finally, reinsert tab of terminal block cover into slot of dryer rear panel. Secure cover with hold-down screw. Now, go to "Venting Requirements."

3-Wire Power Supply Cord Connection

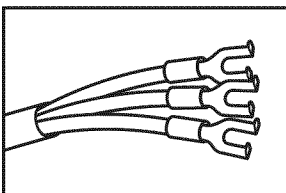
IMPORTANT: Use where local codes permit connecting cabinet-ground conductor to neutral wire.



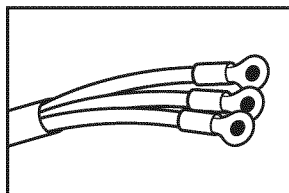
3-wire receptacle
(NEMA type 10-30R)



3-prong plug



Spade terminals with
upturned ends

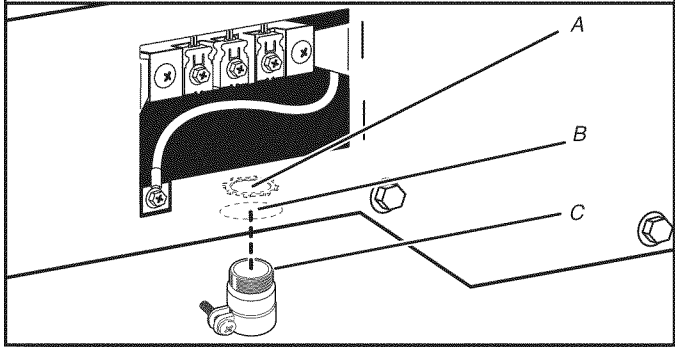


Ring terminals

Direct Wire Connection

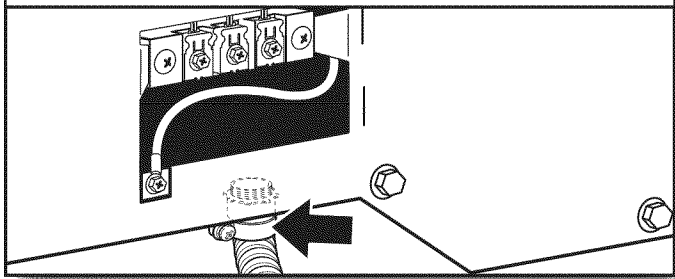
Direct Wire Strain Relief

1. Attach direct wire strain relief



Unscrew the removable conduit connector (A) and any screws from a 3/4" (19 mm) UL listed strain relief (UL marking on strain relief). Put the threaded section of the strain relief (C) through the hole below the terminal block opening (B). Reaching inside the terminal block opening, screw the removable conduit connector (A) onto the strain relief threads.

2. Attach direct wire cable to strain relief



Put direct wire cable through the strain relief. The strain relief should have a tight fit with the dryer cabinet and be in a horizontal position. Tighten strain relief screw against the direct wire cable.

If your wiring looks like this:



4-wire direct wire connection:
Go to "4-Wire Direct Wire Connection"
on this page.

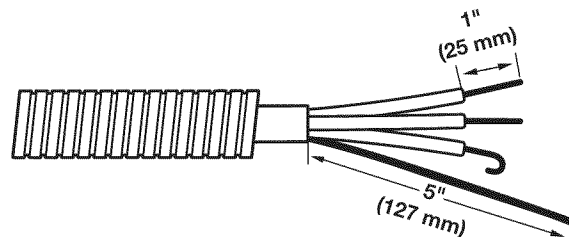


3-wire direct wire connection:
Go to "3-Wire Direct Wire Connection"
on page 18.

4-Wire Direct Wire Connection

IMPORTANT: A 4-wire connection is required for mobile homes and where local codes do not permit 3-wire connections.

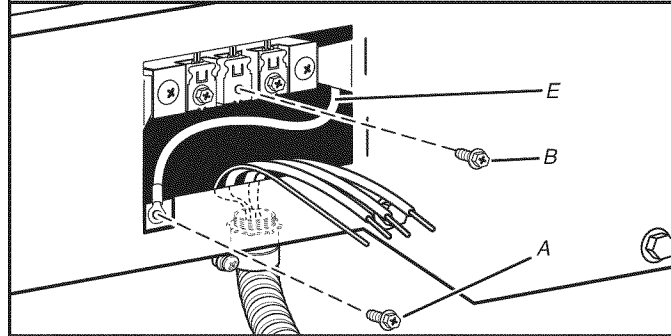
1. Prepare your 4-wire cable for direct connection



Direct wire cable must have 5 ft. (1.52 m) of extra length so washer/dryer may be moved if needed.

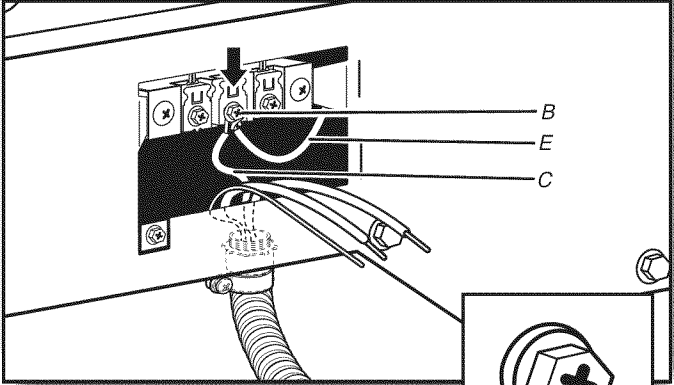
Strip 5" (127 mm) of outer covering from end of cable, leaving bare ground wire at 5" (127 mm). Cut 1 1/2" (38 mm) from remaining 3 wires. Strip insulation back 1" (25 mm). Shape ends of wires into hooks.

2. Prepare to connect neutral ground wire and neutral wire



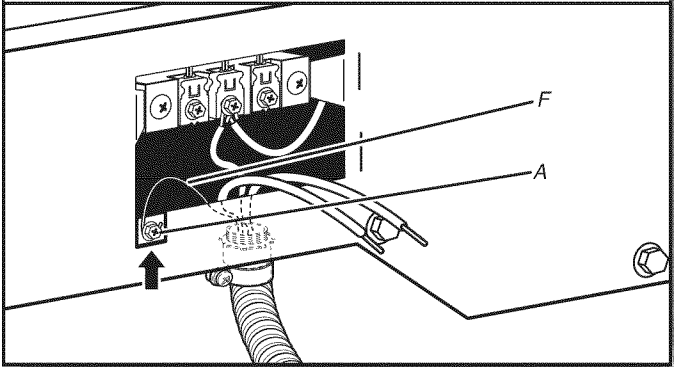
Remove center terminal block screw (B). Remove neutral ground wire (E) from external ground conductor screw (A).

3. Connect neutral ground wire and neutral wire



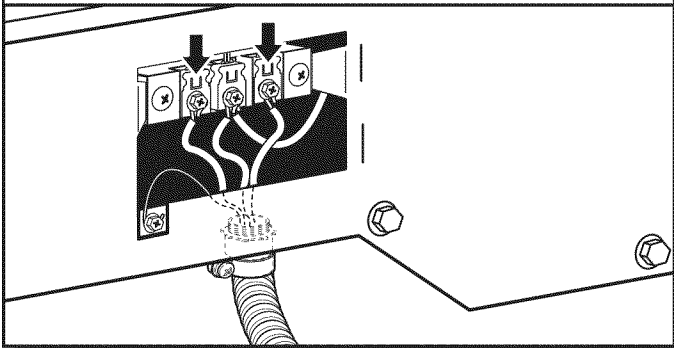
Connect neutral ground wire (E) and place hooked end (hook facing right) of neutral wire (white or center wire) (C) of direct wire cable under center screw of terminal block (B). Squeeze hooked ends together and tighten screw.

4. Connect ground wire



Connect ground wire (green or bare) (F) of direct wire cable to external ground conductor screw (A). Tighten screw.

5. Connect remaining wires

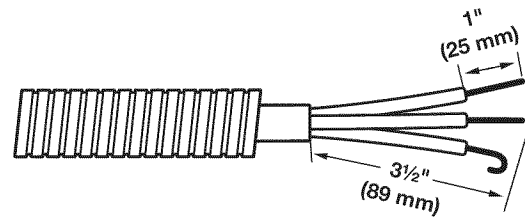


Place hooked ends of remaining direct wire cable wires under outer terminal block screws (hooks facing right). Squeeze hooked ends together and tighten screws. Finally, reinsert tab of terminal block cover into slot of dryer rear panel. Secure cover with hold-down screw. Now, go to "Venting Requirements."

3-Wire Direct Wire Connection

IMPORTANT: Use where local codes permit connecting cabinet-ground conductor to neutral wire.

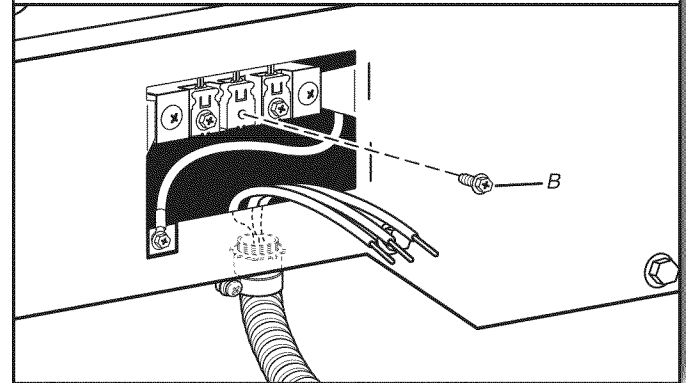
1. Prepare your 3-wire cable for direct connection



Direct wire cable must have 5 ft. (1.52 m) of extra length so washer/dryer may be moved if needed.

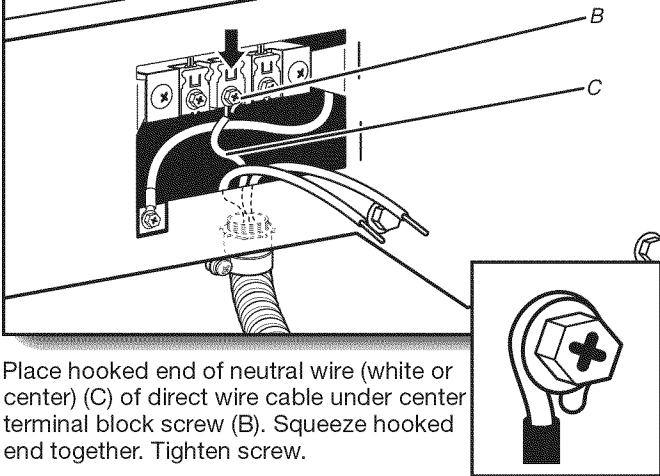
Strip 3 1/2" (89 mm) of outer covering from end of cable. Strip insulation back 1" (25 mm). If using 3-wire cable with ground wire, cut bare wire even with outer covering. Shape wire ends into hooks.

2. Remove center screw



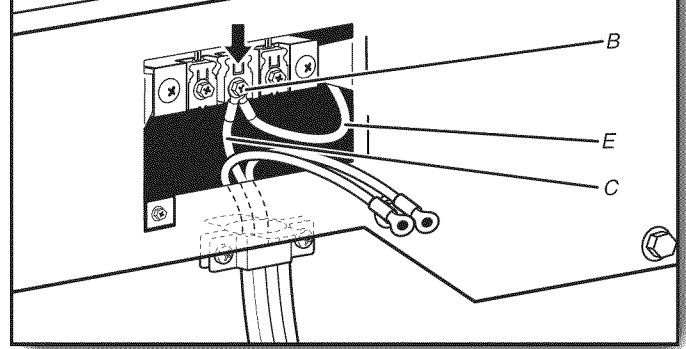
Remove center terminal block screw (B).

3. Connect neutral wire



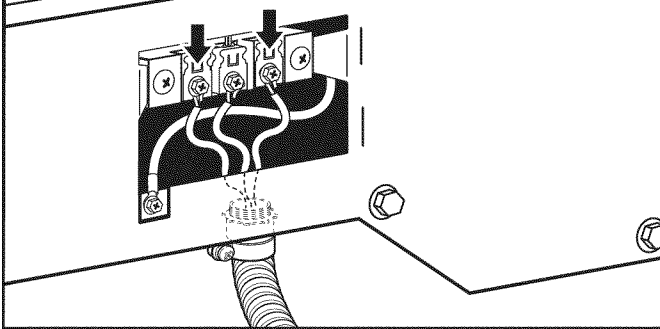
Place hooked end of neutral wire (white or center) (C) of direct wire cable under center terminal block screw (B). Squeeze hooked end together. Tighten screw.

2. Connect neutral ground wire and neutral wire



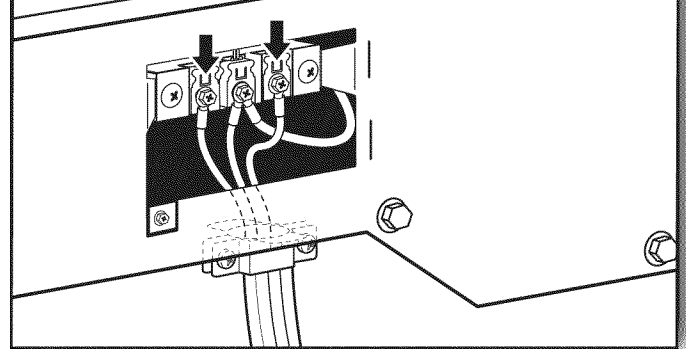
Connect neutral ground wire (E) and neutral wire (white or center wire) (C) of power supply cord or cable under center terminal block screw (B). Tighten screw.

4. Connect remaining wires



Place hooked ends of remaining direct wire cable wires under outer terminal block screws (hooks facing right). Squeeze hooked ends together and tighten screws. Finally, reinsert tab of terminal block cover into slot of dryer rear panel. Secure cover with hold-down screw. Now, go to "Venting Requirements."

3. Connect remaining wires

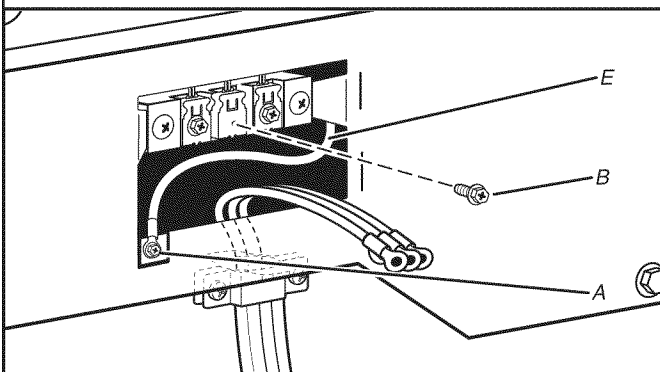


Place remaining wires under outer terminal block screws (hooks facing right). Tighten screws.

Optional 3-Wire Connection

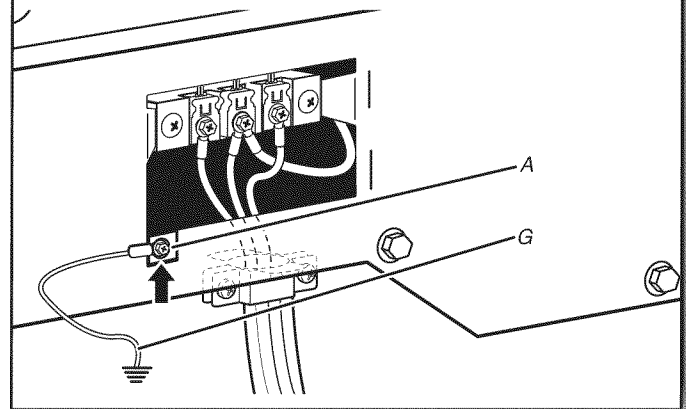
IMPORTANT: You must verify with a qualified electrician that this grounding method is acceptable before connecting.

1. Prepare to connect neutral ground wire and neutral wire



Remove center terminal block screw (B). Remove neutral ground wire (E) from external ground conductor screw (A).

4. Connect external ground wire




Connect a separate copper ground wire (G) from the external ground conductor screw (A) to an adequate ground. Finally, reinsert tab of terminal block cover into slot of dryer rear panel. Secure cover with hold-down screw. Now, go to "Venting Requirements."

Electrical Connection, 24" models (U.S.A. Only)

Power Supply Cord

⚠ WARNING



Fire Hazard

Use a new UL listed 30 amp power supply cord.

Use a UL listed strain relief.

Disconnect power before making electrical connections.

Connect neutral wire (white or center wire) to center terminal.

Ground wire (green or bare wire) must be connected to green ground connector.


Connect remaining 2 supply wires to remaining 2 terminals (gold).

Securely tighten all electrical connections.

Failure to do so can result in death, fire, or electrical shock.

Direct Wire

⚠ WARNING



Fire Hazard

Use 10 gauge copper wire.

Use a UL listed strain relief.

Disconnect power before making electrical connections.

Connect neutral wire (white or center wire) to center terminal.

Ground wire (green or bare wire) must be connected to green ground connector.

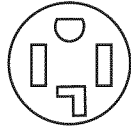
Connect remaining 2 supply wires to remaining 2 terminals (gold).

Securely tighten all electrical connections.


Failure to do so can result in death, fire, or electrical shock.

Electrical Connection Options


1. Choose electrical connection type




Power supply cord 4-wire receptacle (NEMA Type 14-30R): Go to "4-wire Power Supply Cord Connection" section. Then, go to "Venting Requirements."



Power supply cord 3-wire receptacle (NEMA Type 10-30R): Go to "3-wire Power Supply Cord Connection" section. Then go to "Venting Requirements."

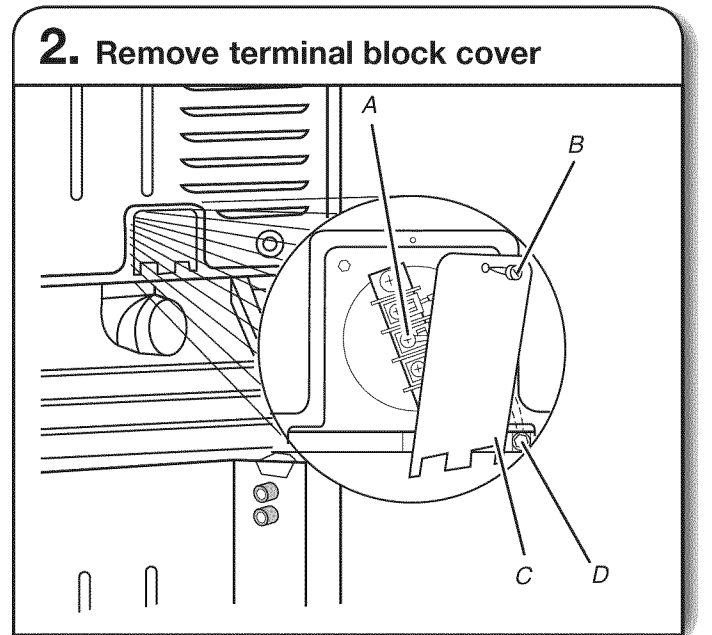


4-wire direct connection: Go to "4-wire Direct Wire Connection" section. Then go to "Venting Requirements."



3-wire direct connection: Go to "3-wire Direct Wire Connection" section. Then go to "Venting Requirements."

NOTE: If local codes do not permit connection of a cabinet-ground conductor to neutral wire, go to "Optional 3-wire Connection" section. This connection may be used with either a power supply cord or a direct wire connection.



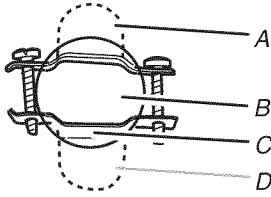
Before you start, disconnect power. Remove hold-down screw (B) and terminal block cover (C).

- A. Center terminal block screw
- B. Hold-down screw
- C. Terminal block cover
- D. External ground conductor screw

Power Supply Cord Connection

Power Supply Cord Strain Relief

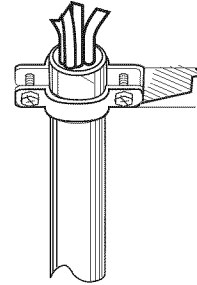
1. Attach power supply cord strain relief



Remove the screws from a 3/4" (19 mm) UL listed strain relief (UL marking on strain relief). Put the tabs of the two clamp sections (C) into the hole below the terminal block opening (B) so that one tab is pointing up (A) and the other is pointing down (D), and hold in place. Tighten strain relief screws just enough to hold the two clamp sections (C) together.

- A. Strain relief tab pointing up
- B. Hole below terminal block opening
- C. Clamp section
- D. Strain relief tab pointing down

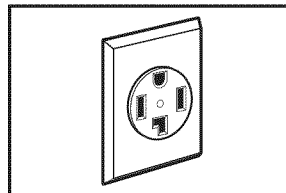
2. Attach power supply cord to strain relief



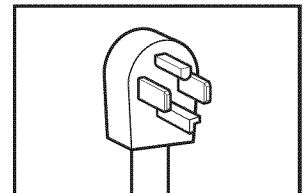
Put power supply cord through the strain relief. Be sure that the wire insulation on the power supply cord is inside the strain relief. The strain relief should have a tight fit with the dryer cabinet and be in a horizontal position. Do not further tighten strain relief screws at this point.

4-wire Power Supply Cord Connection

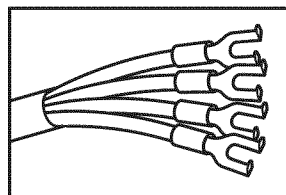
IMPORTANT: A 4-wire connection is required for mobile homes and where local codes do not permit the use of 3-wire connections.



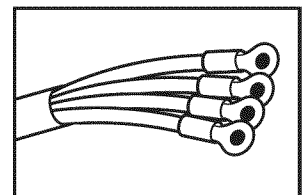
4-wire receptacle
(NEMA type 14-30R)



4-prong plug

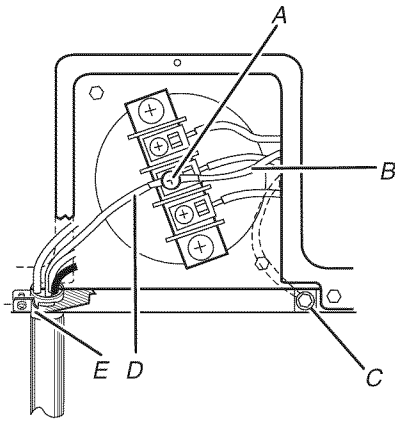


Spade terminals
with upturned ends



Ring terminals

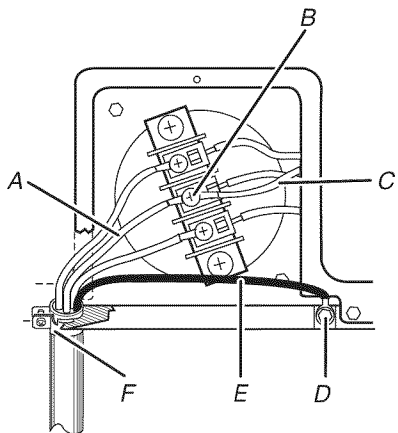
1. Connect neutral ground wire and neutral wire



Remove center terminal block screw. Remove neutral ground wire from external ground conductor screw. Connect neutral ground wire and the neutral wire (white or center wire) of power supply cord under center terminal block screw. Tighten screw.

- A. Center terminal block screw
- B. Neutral ground wire
- C. External ground conductor screw – Dotted line shows position of NEUTRAL ground wire before being moved to center terminal block screw.
- D. Neutral wire (white or center wire)
- E. 3/4" (19 mm) UL listed strain relief

2. Connect ground wire



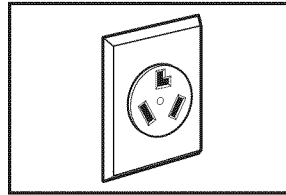
Connect ground wire (green or bare) of power supply cord to external ground conductor screw. Tighten screw.

- A. Neutral wire (white or center wire)
- B. Center terminal block screw
- C. Neutral ground wire
- D. External ground conductor screw
- E. Ground wire (green or bare) of power supply cord
- F. 3/4" (19 mm) UL listed strain relief

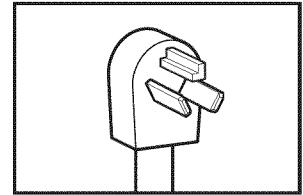
Connect the other wires to outer terminal block screws. Tighten screws. Tighten strain relief screws. Insert tab of terminal block cover into slot of dryer rear panel. Secure cover with hold down screw. Now go to "Venting Requirements".

3-wire Power Supply Cord Connection

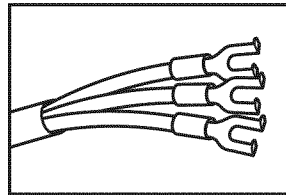
Use where local codes permit connecting cabinet-ground conductor to neutral wire.



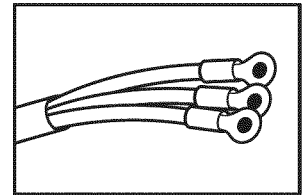
3-wire receptacle (NEMA type 10-30R)



3-prong plug

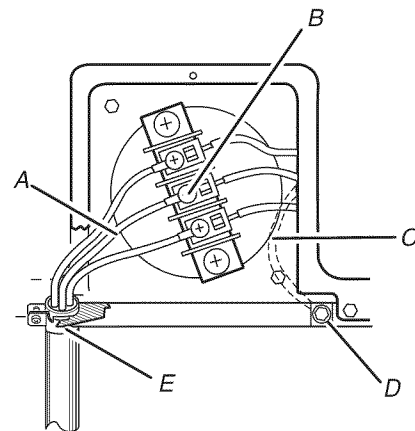


Spade terminals with upturned ends



Ring terminals

1. Connect neutral wire



Loosen or remove center terminal block screw. Connect neutral wire (white or center wire) of power supply cord to the center terminal screw of the terminal block. Tighten screw.

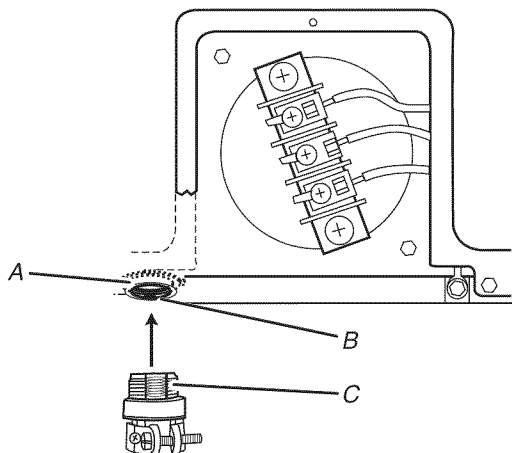
- A. Neutral wire (white or center wire)
- B. Center terminal block screw
- C. Neutral ground wire
- D. External ground conductor screw
- E. 3/4" (19 mm) UL listed strain relief

Connect the other wires to outer terminal block screws. Tighten screws. Tighten strain relief screws. Insert tab of terminal block cover into slot of dryer rear panel. Secure cover with hold-down screw. Now go to "Venting Requirements".

Direct Wire Connection

Direct Wire Strain Relief

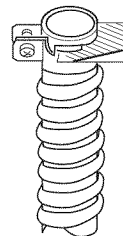
1. Attach direct wire strain relief



Unscrew the removable conduit connector and any screws from a 3/4" (19 mm) UL listed strain relief (UL marking on strain relief). Put the threaded section of the strain relief through the hole below the terminal block opening. Reaching inside the terminal block opening, screw the removable conduit connector onto the strain relief threads.

- A. Removable conduit connector
- B. Hole below terminal block opening
- C. Strain relief threads

2. Attach direct wire cable to strain relief

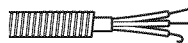


Put direct wire cable through the strain relief. The strain relief should have a tight fit with the dryer cabinet and be in a horizontal position. Tighten strain relief screw against the direct wire cable.

If your wiring looks like this:



4-wire direct connection:
Go to "4-wire Direct Wire Connection" on this page.

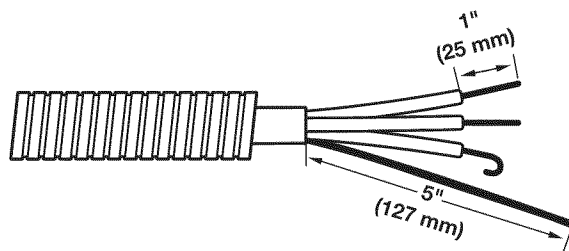


3-wire direct connection:
Go to "3-wire Direct Wire Connection".

4-wire Direct Wire Connection

IMPORTANT: A 4-wire connection is required for mobile homes and where local codes do not permit the use of 3-wire connections.

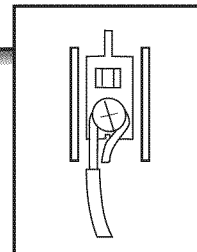
1. Prepare your 4-wire cable for direct connection



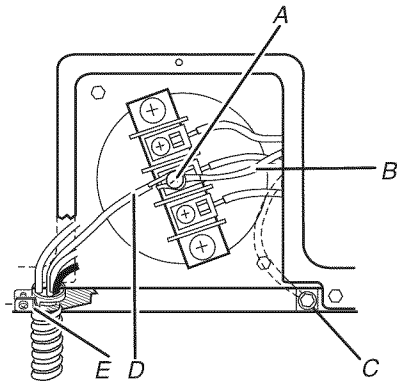
Direct wire cable must have 5 ft. (1.52 m) of extra length so washer/dryer can be moved if needed.

Strip 5" (127 mm) of outer covering from end of cable, leaving bare ground wire at 5" (127 mm). Cut 1-1/2" (38 mm) from remaining 3 wires. Strip insulation back 1" (25 mm). Shape ends of wires into a hook shape.

When connecting to the terminal block, place the hooked end of the wire under the screw of the terminal block (hook facing right), squeeze hooked end together, and tighten screw. See example above.



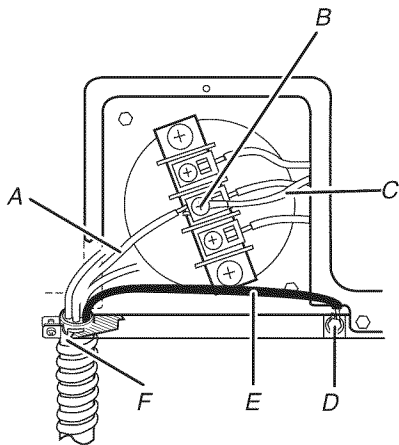
2. Connect neutral ground wire and neutral wire



Remove center terminal block screw. Remove neutral ground wire from external ground conductor screw. Connect neutral ground wire and place the hooked end (hook facing right) of the neutral wire (white or center wire) of direct wire cable under the center screw of the terminal block. Squeeze hooked ends together. Tighten screw.

- A. Center terminal block screw
- B. Neutral ground wire
- C. External ground conductor screw – Dotted line shows position of NEUTRAL ground wire before being moved to center terminal block screw.
- D. Neutral wire (white or center wire)
- E. 3/4" (19 mm) UL listed strain relief

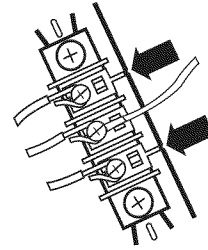
3. Connect ground wire



Connect ground wire (green or bare) of direct wire cable to external ground conductor screw. Tighten screw.

- A. Neutral wire (white or center wire)
- B. Center terminal block screw
- C. Neutral ground wire
- D. External ground conductor screw
- E. Ground wire (green or bare) of direct wire cable
- F. 3/4" (19 mm) UL listed strain relief

4. Connect remaining wires

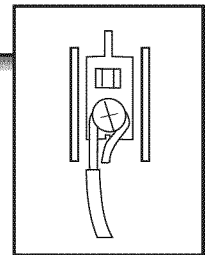
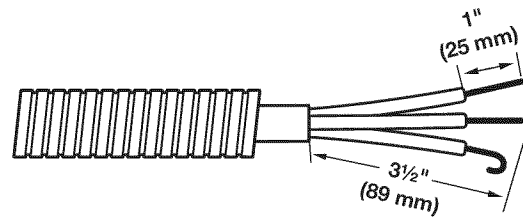


Place the hooked ends of the other direct wire cable wires under the outer terminal block screws (hooks facing right). Squeeze hooked ends together. Tighten screws. Tighten strain relief screw. Insert tab of terminal block cover into slot of dryer rear panel. Secure cover with hold-down screw. Now go to "Venting Requirements".

3-wire Direct Wire Connection

Use where local codes permit connecting cabinet-ground conductor to neutral wire.

1. Prepare your 3-wire cable for direct connection

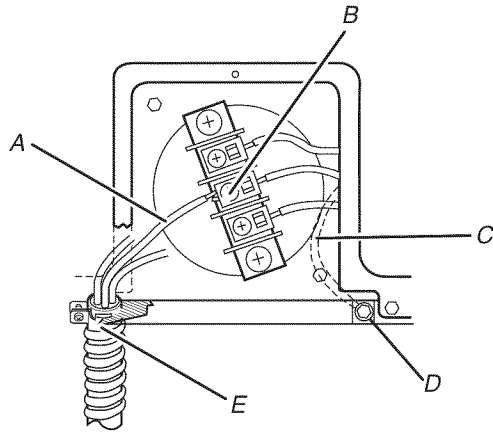


Direct wire cable must have 5 ft. (1.52 m) of extra length so washer/dryer can be moved if needed.

Strip 3-1/2" (89 mm) of outer covering from end of cable. Strip insulation back 1" (25 mm). If using 3-wire cable with ground wire, cut bare wire even with outer covering. Shape ends of wires into a hook shape.

When connecting to the terminal block, place the hooked end of the wire under the screw of the terminal block (hook facing right), squeeze hooked end together, and tighten screw. See example above.

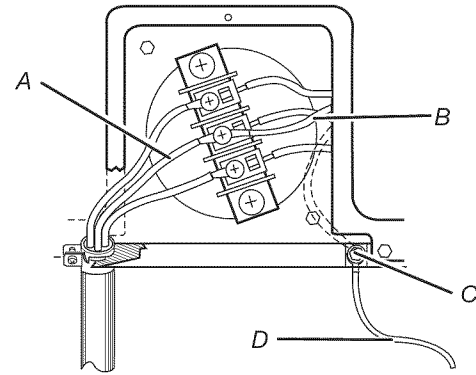
2. Connect neutral wire



Loosen or remove center terminal block screw. Place the hooked end of the neutral wire (white or center wire) of direct wire cable under the center screw of terminal block (hook facing right). Squeeze hooked end together. Tighten screw.

- A. Neutral wire (white or center wire)
- B. Center terminal block screw
- C. Neutral ground wire
- D. External ground conductor screw
- E. 3/4" (19 mm) UL listed strain relief

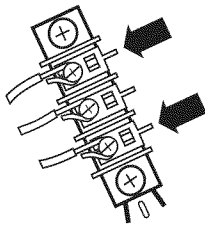
1. Connect neutral ground wire and neutral wire



Remove center terminal block screw. Remove neutral ground wire from external ground conductor screw. Connect neutral ground wire and the neutral wire (white or center wire) of power supply cord/cable under center terminal block screw. Tighten screw.

- A. Neutral wire (white or center wire)
- B. Neutral ground wire
- C. External ground conductor screw – Dotted line shows position of NEUTRAL ground wire before being moved to center terminal block screw.
- D. Grounding path determined by a qualified electrician

3. Connect remaining wires

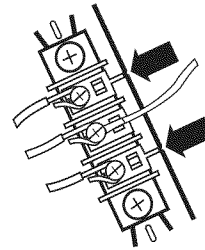


Place the hooked ends of the other direct wire cable wires under the outer terminal block screws (hooks facing right). Squeeze hooked ends together. Tighten screws. Tighten strain relief screw. Insert tab of terminal block cover into slot of dryer rear panel. Secure cover with hold-down screw. Now go to "Venting Requirements".

Optional 3-Wire Connection

Use for direct wire or power supply cord where local codes do not permit connecting cabinet-ground conductor to neutral wire.

2. Connect remaining wires and connect separate ground wire




Connect the other wires to outer terminal block screws. Tighten screws. Tighten strain relief screws. Connect a separate copper ground wire from the external ground conductor screw to an adequate ground. Insert tab of terminal block cover into slot of dryer rear panel. Secure cover with hold-down screw. Now go to "Venting Requirements".

Venting

Venting Requirements

⚠ WARNING

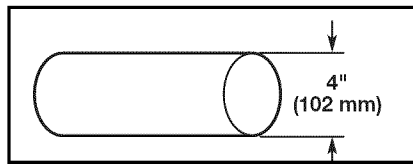


Fire Hazard
Use a heavy metal vent.
Do not use a plastic vent.
Do not use a metal foil vent.
Failure to follow these instructions can result in death or fire.

WARNING: To reduce the risk of fire, this dryer MUST BE EXHAUSTED OUTDOORS.

IMPORTANT: Observe all governing codes and ordinances.

Dryer exhaust must not be connected into any gas vent, chimney, wall, ceiling, attic, crawlspace, or a concealed space of a building. Only rigid or flexible metal vent shall be used for exhausting.



4" (102 mm) heavy metal exhaust vent

- Only a 4" (102 mm) heavy metal exhaust vent and clamps may be used.
- Do not use plastic or metal foil vent.

Rigid metal vent:

- Recommended for best drying performance and to avoid crushing and kinking.

Flexible metal vent: (Acceptable only if accessible to clean)

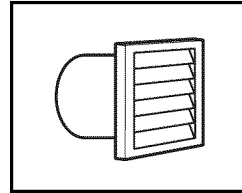
- Must be fully extended and supported in final dryer location.
- Remove excess to avoid sagging and kinking that may result in reduced airflow and poor performance.
- Do not install in enclosed walls, ceilings, or floors.
- The total length should not exceed 7³/₄ ft. (2.4 m).

NOTE: If using an existing vent system, clean lint from entire length of the system and make sure exhaust hood is not plugged with lint. Replace plastic or metal foil vents with rigid metal or flexible metal vents. Review "Vent System Chart" and, if necessary, modify existing vent system to achieve best drying performance.

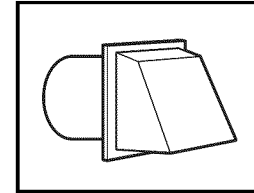
Exhaust hoods:

- Must be at least 12" (305 mm) from ground or any object that may obstruct exhaust (such as flowers, rocks, bushes, or snow).

Recommended Styles:

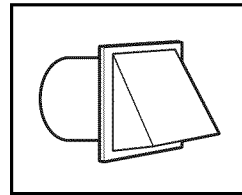


Louvered hood



Box hood

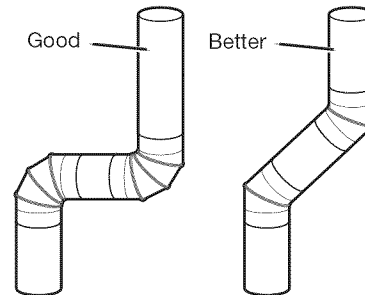
Acceptable Style:



Angled hood

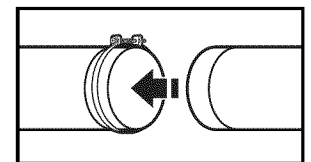
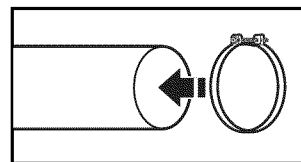
Elbows:

- 45° elbows provide better airflow than 90° elbows.



Clamps:

- Use clamps to seal all joints.
- Exhaust vent must not be connected or secured with screws or other fastening devices that extend into interior of duct and catch lint. Do not use duct tape.



Improper venting can cause moisture and lint to collect indoors, which may result in:

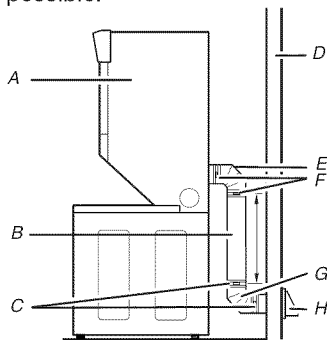
- Moisture damage to woodwork, furniture, paint, wallpaper, carpets, etc.
- Housecleaning problems and health problems.

See "Venting Kits" for more information.

Plan Vent System

Recommended exhaust installations

Typical installations vent the washer/dryer from the rear. Other installations are possible.



- A. Dryer
- B. Rigid metal or flexible metal vent
- C. Clamps
- D. Wall
- E. Elbow
- F. Clamps
- G. Elbow
- H. Exhaust hood


Optional exhaust installations:

This washer/dryer can be converted to exhaust out the right or left side. To convert the washer/dryer, use Side Exhaust Kit Part Number 279823. If your washer/dryer was previously exhausted from the right or left side, it can be converted to rear exhaust by using standard offset connections. To cover the hole in the side, one of the following plugs can be added:

- 692790 (white)
- 3977784 (biscuit)

Follow the instructions in the kit to install. Kits are available from the dealer from whom you purchased your washer/dryer.

⚠ WARNING



Fire Hazard

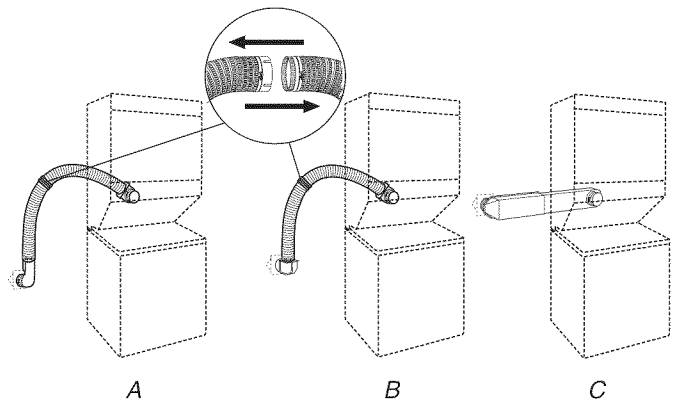
Cover unused exhaust holes with a manufacturer's exhaust cover kit.

Contact your local dealer.

Failure to follow these instructions can result in death, fire, electrical shock, or serious injury.

Alternate installations for close clearances

Venting systems come in many varieties. Select the type best for your installation. Three close-clearance installations are shown. Refer to the manufacturer's instructions.



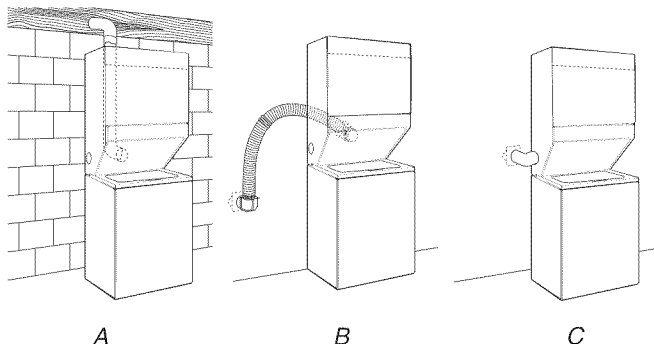
- A. Loop system with standard elbows
- B. Loop system with one offset and one standard elbow
- C. Vent system with one periscope (2" [51 mm] clearance)

NOTE: The following kits for close-clearance alternate installations are available for purchase.

Venting Kits

For more information, call **1-800-901-2042**, or visit us at www.applianceaccessories.com. In Canada, call **1-800-807-6777** or visit us at www.whirlpoolparts.ca.

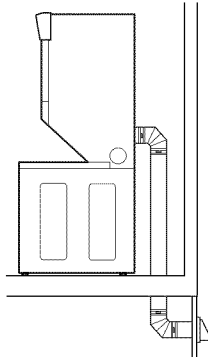
Part Number	Descriptions
4396028	Over-the-Top Installation
4396037	0" (0 mm) to 18" (457 mm) Metal vent periscope (For use with dryer vent to wall vent mismatch)
4396011	18" (457 mm) to 29" (737 mm) Metal vent periscope (For use with dryer vent to wall vent mismatch)
4396014	29" (737 mm) to 50" (1.27 m) Metal vent periscope (For use with dryer vent to wall vent mismatch)
4392892	In-Wall metal DuraVent™ Periscope
279818	4-way vent kit – white
W10186596	4-way vent kit – universal grey
4396028	Sure Connect™ venting kit (over-the-top installation)
4396009RP	5' Universal connect vent, flexible dryer venting
4396010RP	6' SecureConnect™ vent, flexible dryer venting
4396013RB	Dryer vent installer's kit
4396033RP	5' flexible dryer venting with clamps
4396727RP	8' flexible dryer venting with clamps
4396004	Dryer offset elbow
4396005	Wall offset elbow
4396006RW	DuraSafe™ close elbow
4396007RW	Through-the-wall vent cap
4396008RP	4" steel dryer venting clamps – 2 pack
8212662	Flush mounting louvered vent hood 4"



- A. Standard rear offset exhaust installation
- B. Rear exhaust for offset close-clearance connection
- C. Left- or right-side exhaust installation

Special provisions for mobile home installations:

The exhaust vent must be securely fastened to a noncombustible portion of the mobile home structure and must not terminate beneath the mobile home. Terminate the exhaust vent outside.



Determine vent path:

- Select route that will provide straightest and most direct path outdoors.
- Plan installation to use fewest number of elbows and turns.
- When using elbows or making turns, allow as much room as possible.
- Bend vent gradually to avoid kinking.
- Use as few 90° turns as possible.

Determine vent length and elbows needed for best drying performance:

- Use following "Vent System Chart" to determine type of vent material and hood combinations acceptable to use.

NOTE: Do not use vent runs longer than those specified in "Vent System Chart." Exhaust systems longer than those specified will:

- Shorten life of dryer.
- Reduce performance, resulting in longer drying times and increased energy usage.

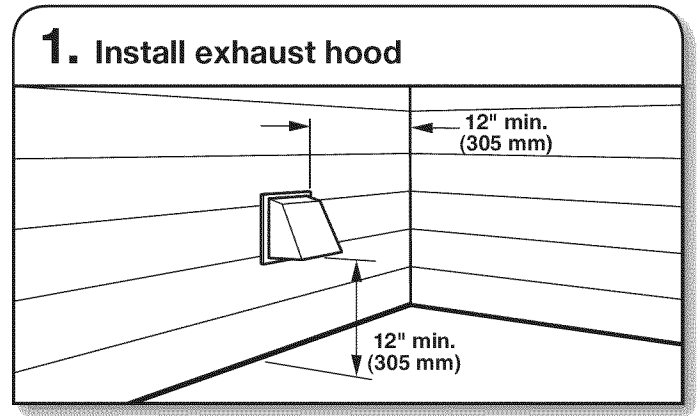
The "Vent System Chart" provides venting requirements that will help achieve best drying performance.

Vent System Chart, 27" Models			
Number of 90° turns or elbows	Type of vent	Box/louvered hoods	Angled hoods
0	Rigid metal	37 ft. (11.3 m)	35 ft. (10.7 m)
1	Rigid metal	32 ft. (9.7 m)	27 ft. (8.2 m)
2	Rigid metal	23 ft. (7.0 m)	19 ft. (5.8 m)

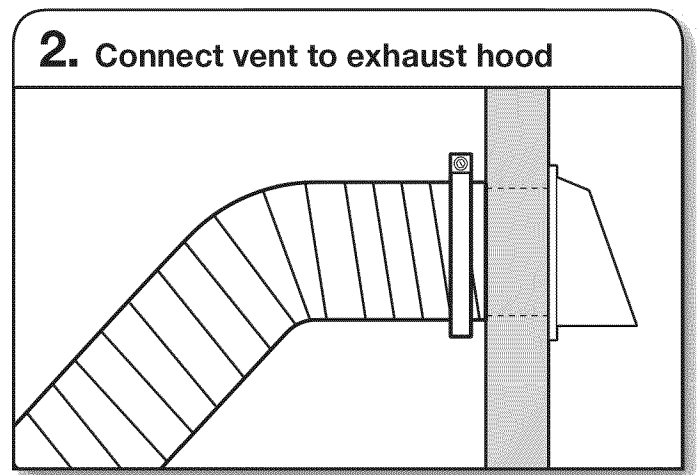
Vent System Chart, 24" Models			
Number of 90° turns or elbows	Type of vent	Box/louvered hoods	Angled hoods
0	Rigid metal	43 ft. (13.1 m)	36 ft. (11.0 m)
1	Rigid metal	33 ft. (10.1 m)	26 ft. (7.9 m)
2	Rigid metal	23 ft. (7.0 m)	16 ft. (4.9 m)

NOTE: Side exhaust installations have a 90° turn inside the dryer. To determine maximum exhaust length, add one 90° turn to the chart.

Install Vent System



Install exhaust hood and use caulking compound to seal exterior wall opening around exhaust hood.



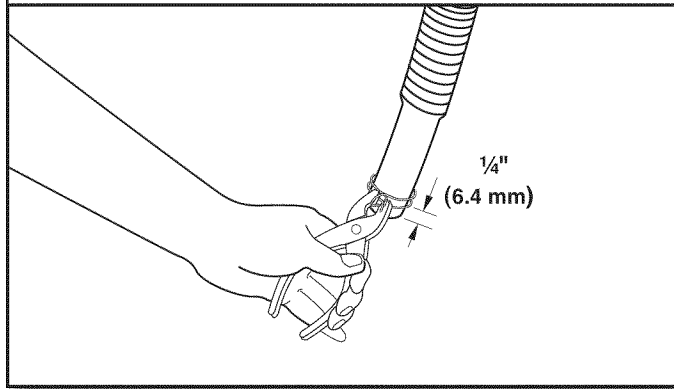
Vent must fit inside the exhaust hood. Secure vent to exhaust hood with 4" (102 mm) clamp. Run vent to dryer location using straightest path possible. Avoid 90° turns. Use clamps to seal all joints. Do not use duct tape, screws, or other fastening devices that extend into interior of vent to secure vent, because they can catch lint.

Connect Drain Hose

Proper connection of the drain hose protects your floors from damage due to water leakage. To keep the drain hose from coming off or leaking, it must be installed according to the following instructions:

IMPORTANT: To ensure proper installation, this procedure must be followed exactly.

1. Attach clamp to drain hose

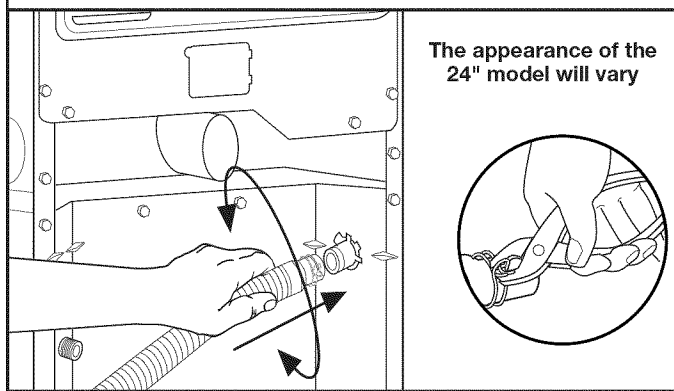


Check the drain hose to see whether it is the proper length. Wet the inside of the straight end of the drain hose with tap water.

IMPORTANT: Do not use any lubricant other than water.

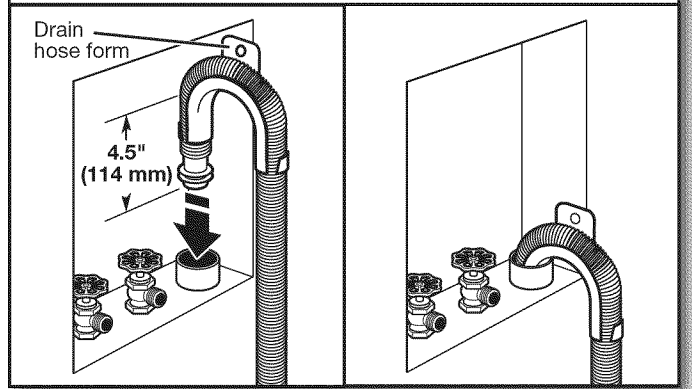
Squeeze ears of the silver double-wire clamp with pliers to open. Place clamp over the straight end of the drain hose 1/4" (6.4 mm) from the end.

2. Attach drain hose to drain connector (27" model shown)



Open clamp. Twist hose back and forth while pushing onto drain connector on the side of the washer/dryer. Continue until hose contacts the ribbed stops on the cabinet. Place clamp over the area marked "CLAMP." Release clamp.

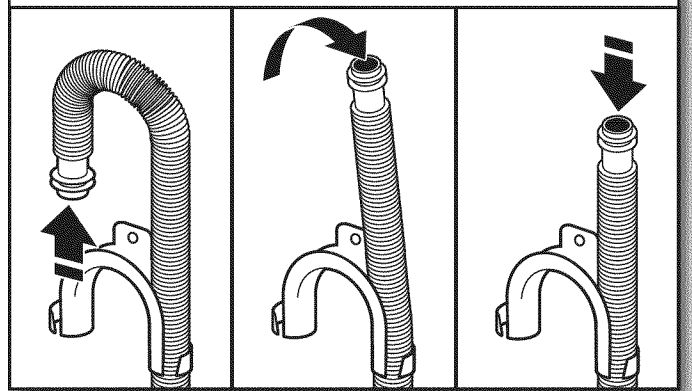
3. Place drain hose in standpipe



Place hose into standpipe (shown in picture) or over side of laundry tub.

IMPORTANT: 4.5" (114 mm) of drain hose should be inside standpipe; do not force excess hose into standpipe or lay on bottom of laundry tub. Drain hose form must be used.

4. Remove drain hose form (floor drain installations only)



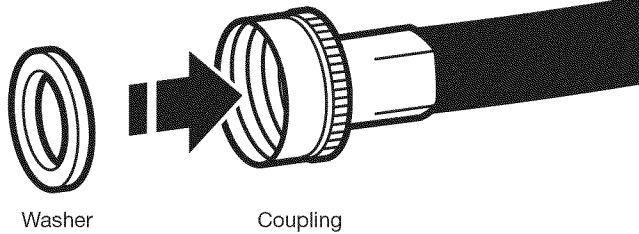
For floor drain installations, you will need to remove the drain hose form from the end of the drain hose. You may need additional parts with separate directions. See "Tools and Parts."

Connect Inlet Hoses

Washer must be connected to water faucets with new inlet hoses with flat washers (not provided). Do not use old hoses.

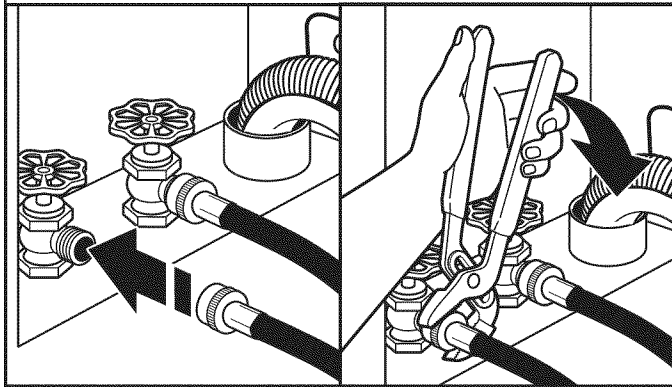
NOTE: Both hoses must be attached and have water flowing to inlet valves. If you are only connecting to a cold water faucet, you must use a Y-adapter (not included).

1. Insert washer into each hose



Insert a new flat washer into each end of the inlet hoses (not provided). Firmly seat the washers in the couplings.

2. Connect inlet hoses to water faucets

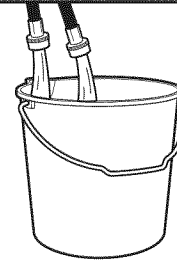


Attach hose to hot water faucet. Screw on coupling by hand until it is seated on washer. Use pliers to tighten couplings an additional two-thirds turn. Repeat this step with second hose for cold water faucet.

IMPORTANT: Do not overtighten or use tape or sealants on valve when attaching to faucets or washer. Damage can result.

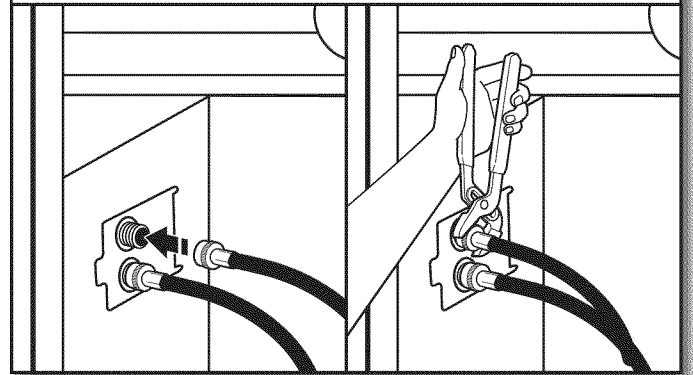
HELPFUL TIP: Make note of which hose is connected to hot water to help in attaching hoses to washer correctly. In most standard configurations, hoses will cross over each other when attached correctly.

3. Clear water lines



Run water for a few seconds through hoses into a laundry tub, drainpipe, or bucket to prevent clogs. Water should run until clear.

4. Connect inlet hoses to washer

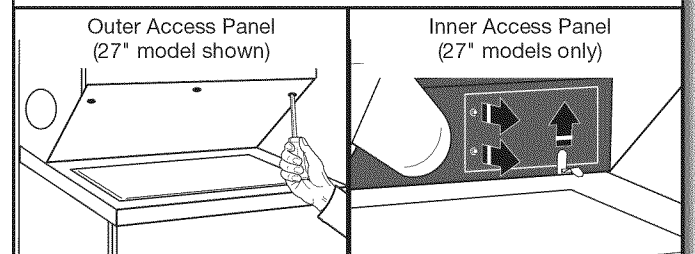


Attach hot water hose to the bottom inlet valve. Screw coupling by hand until it is snug. Use pliers to tighten couplings an additional two-thirds turn. Repeat with cold water inlet valve (top valve).

IMPORTANT: To reduce risk of hose failure, replace the hoses every 5 years. Record hose installation or replacement dates for future reference.

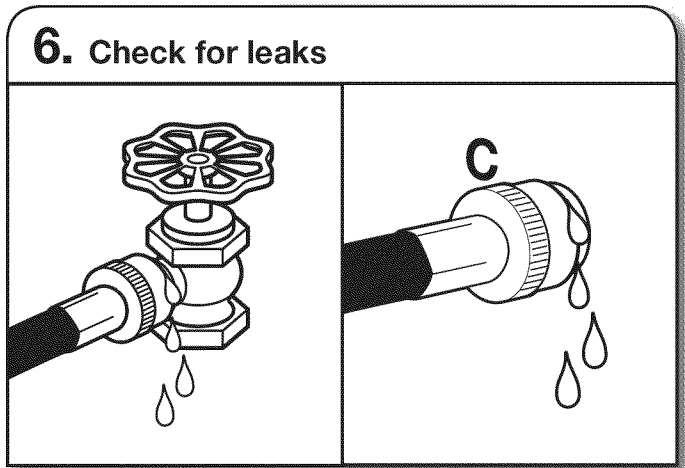
- Periodically inspect and replace hoses if bulges, kinks, cuts, wear, or leaks are found.

5. Move washer/dryer to final location

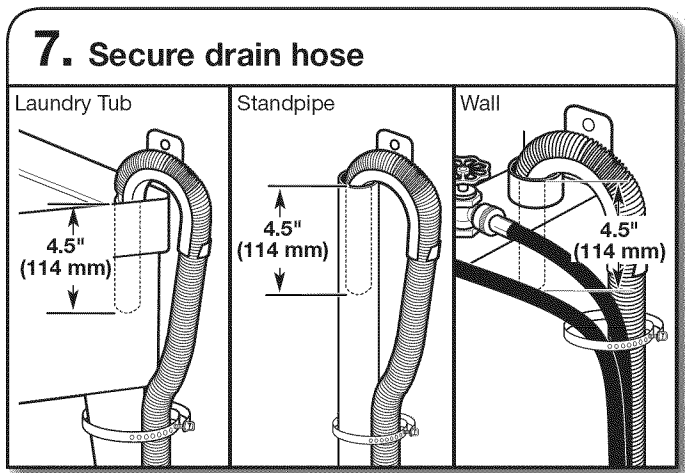


If you are working in a closet or recessed area: move the washer/dryer into its final location and remove cardboard from washer/dryer. Remove the outer access panel by removing 2 (24" models) or 3 (27" models) Phillips-head screws and one bumper (27" models only), located at the top of the access panel. Remove inner access panel (27" models only) by removing clip, cover, and 2 screws. Set panels, screws, clip, inner access panel cover, and bumper aside. Complete hookup of water hoses and vent. Replace access panels upon completion of washer/dryer installation.

Connect Vent

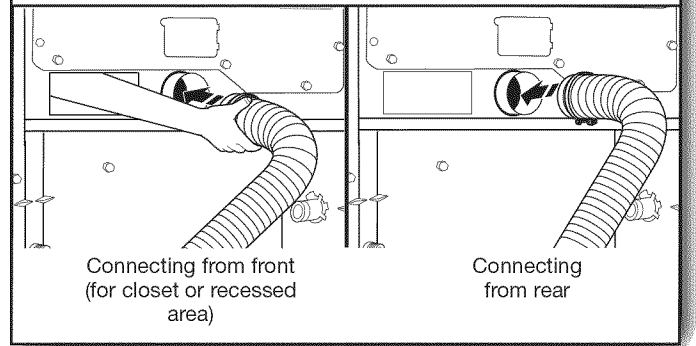


Turn on water faucets to check for leaks. A small amount of water may enter washer. It will drain later.



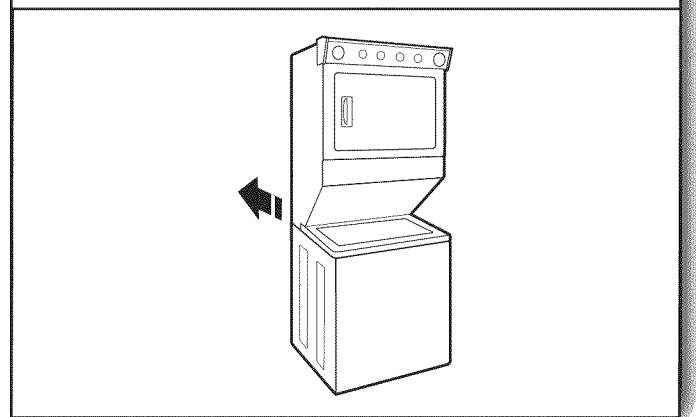
Secure drain hose to laundry tub leg, drain standpipe, or inlet hoses for wall standpipe with shipping strap removed earlier (27" models) or plastic strap included in the parts package (24" models).

1. Connect vent to exhaust outlet (27" model shown)



Using a 4" (102 mm) clamp, connect vent to exhaust outlet in dryer. If connecting to existing vent, make sure vent is clean. Dryer vent must fit over dryer exhaust outlet and inside exhaust hood. Check that vent is secured to exhaust hood with a 4" (102 mm) clamp.

2. Move washer/dryer to final location



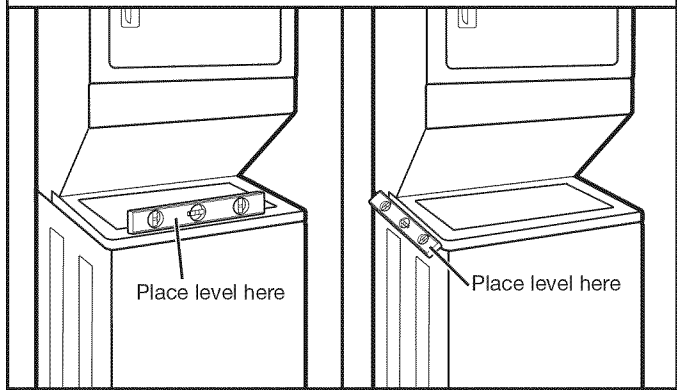
Move washer/dryer to final location, taking care not to crush or kink vent.

After washer/dryer is in place, remove corner posts and cardboard from under washer/dryer.

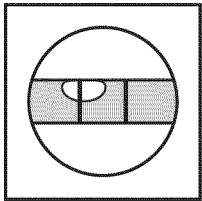
Level Washer/Dryer

IMPORTANT: Level washer/dryer properly to reduce excess noise and vibration.

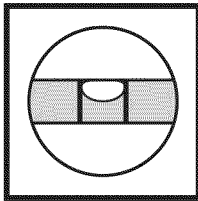
1. Check levelness of washer/dryer



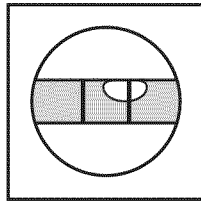
With washer/dryer in its final location, place a level on top edges of washer/dryer. Use side seam as a guide to check levelness of sides. Check levelness of front using lid, as shown. Rock washer/dryer back and forth to make sure all four feet make solid contact with floor. If washer/dryer is level, skip to step 3 (27" models) or step 4 (24" models).



Not Level

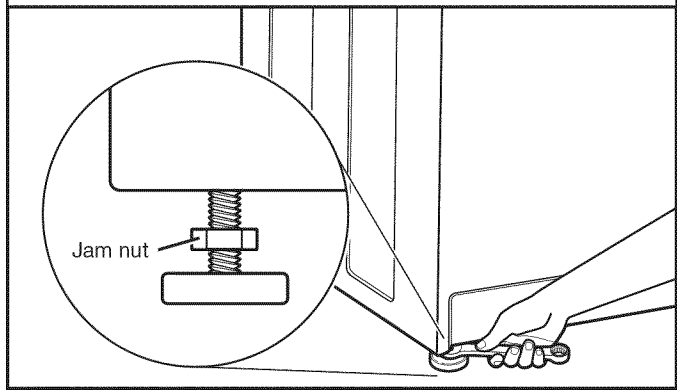


LEVEL



Not Level

2. Adjust leveling feet (27" model shown)



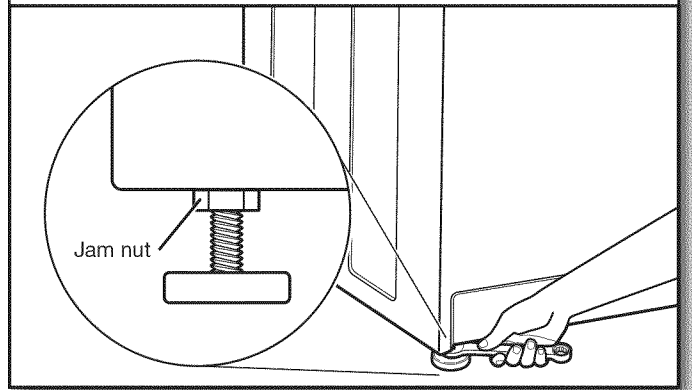
If washer/dryer is not level, prop up front of washer/dryer about 4" (102 mm) with a wood block or similar object that will support weight of washer/dryer.

On 27" models, use a 9/16" or 14 mm open-end or adjustable wrench to turn jam nuts clockwise on feet until they are about 1/2" (13 mm) from the washer/dryer cabinet. Then turn the leveling foot clockwise to lower the washer/dryer or counterclockwise to raise the washer/dryer.

On 24" models, adjust the feet up or down as necessary.

On all models, remove wood block and lower washer/dryer. Recheck levelness of washer/dryer and repeat as needed.

3. Tighten leveling feet (27" models)



When washer/dryer is level, use a 9/16" or 14 mm open-end or adjustable wrench to turn jam nuts counterclockwise on leveling feet tightly against washer/dryer cabinet.

HELPFUL TIP: You may want to prop washer/dryer with a wooden block.

In U.S.A.

⚠ WARNING



Electrical Shock Hazard

Plug into a grounded 3 or 4 prong outlet.

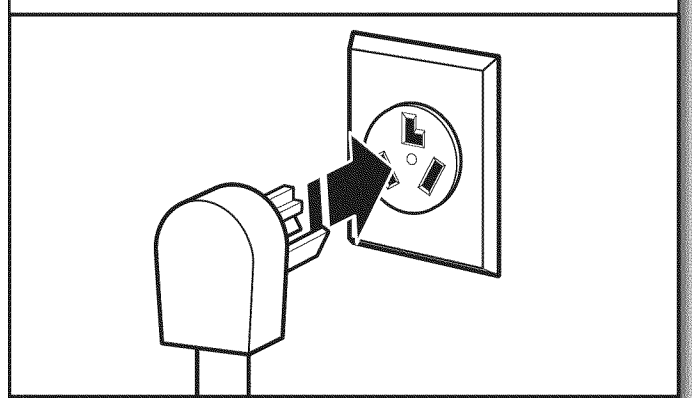
Do not remove ground prong.

Do not use an adapter.


Do not use an extension cord.

Failure to follow these instructions can result in death, fire, or electrical shock.

4. Plug into a grounded 3- or 4- prong outlet

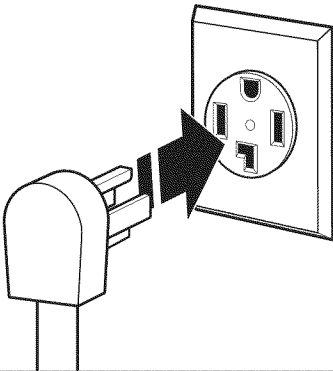


⚠ WARNING



Electrical Shock Hazard
Plug into a grounded 4 prong outlet.
Failure to do so can result in death or electrical shock.

4. Plug into a grounded 4-prong outlet



Complete Installation Checklist

- Check that all parts are now installed. If there is an extra part, go back through the steps to see which step was skipped.
- Check that you have all of your tools.
- Dispose of/recycle all packaging materials. Keep the plastic foam for use if the washer/dryer should be transported.
- Check the washer/dryer's final location. Be sure the vent is not crushed or kinked.
- Check that the washer/dryer is level and front leveling feet are tight. See "Level Washer/Dryer."

In the U.S.A.:

- For power supply cord installation, plug into a grounded outlet. For direct wire installation, turn on power.

In Canada:

- Plug into a grounded 4-prong outlet. Turn on power.
- Check that the water faucets are on.
- Check for leaks around faucets and inlet hoses.
- Remove the protective film on the console and any tape remaining on the washer/dryer.
- Read the Washer/Dryer Use and Care Guide.
- Wipe the dryer drum interior thoroughly with a damp cloth to remove any dust.
- To test the washer, measure 1/2 the normal recommended amount of detergent and pour it into the washer. Close the lid. Select HEAVY and pull out the Cycle Control knob. Allow the washer to complete one whole cycle.
- To test the dryer, set the dryer on a full heat cycle (not an air cycle) for 20 minutes and start the dryer.

If the dryer will not start, check the following:

- Controls are set in a running or "On" position.
- PUSH TO START button has been firmly pushed.
- Washer/dryer is plugged into a grounded outlet.
- Electrical supply is connected.
- Household fuses are intact and tight, or circuit breakers have not tripped.
- Dryer door is closed.
- When the dryer has been running for 5 minutes, open the dryer door and feel for heat.

If you do not feel heat, turn off the dryer and check the following:

- There may be 2 household fuses or circuit breakers for the dryer. Check that both fuses are intact and tight, or that both circuit breakers have not tripped. If there is still no heat, contact a qualified technician.

NOTE: You may notice an odor when dryer is first heated. This odor is common when the heating element is first used. The odor will go away.

Sécurité de la laveuse/sécheuse

Votre sécurité et celle des autres est très importante.

Nous donnons de nombreux messages de sécurité importants dans ce manuel et sur votre appareil ménager. Assurez-vous de toujours lire tous les messages de sécurité et de vous y conformer.



Voici le symbole d'alerte de sécurité.

Ce symbole d'alerte de sécurité vous signale les dangers potentiels de décès et de blessures graves à vous et à d'autres.

Tous les messages de sécurité suivront le symbole d'alerte de sécurité et le mot "DANGER" ou "AVERTISSEMENT". Ces mots signifient :

 **DANGER**

Risque possible de décès ou de blessure grave si vous ne suivez pas immédiatement les instructions.

 **AVERTISSEMENT**

Risque possible de décès ou de blessure grave si vous ne suivez pas les instructions.

Tous les messages de sécurité vous diront quel est le danger potentiel et vous disent comment réduire le risque de blessure et ce qui peut se produire en cas de non-respect des instructions.



AVERTISSEMENT - "Risque d'incendie"

- L'installation de la sécheuse à linge doit être effectuée par un installateur qualifié.
- Installer la sécheuse conformément aux instructions du fabricant et aux codes locaux.
- Ne pas installer de sécheuse à linge avec des matériaux d'évacuation en plastique souple ou un conduit métallique souple (de type papier d'aluminium). Si un conduit métallique souple est installé, celui-ci doit être d'un type spécifique identifié par le fabricant de l'appareil et convenir à une utilisation avec les sécheuses à linge. Les matériaux d'évacuation souples sont connus pour s'affaisser, être facilement écrasés et bloquer la charpie. Ces situations obstrueront le débit d'air de la sécheuse à linge et augmenteront le risque d'incendie.
- Pour réduire le risque de blessure grave ou de décès, suivre toutes les instructions d'installation.
- Conserver ces instructions.

IMPORTANT : Pour mettre l'ancienne sécheuse au rebut ou pour la remiser, enlever la porte.

IMPORTANTES INSTRUCTIONS DE SÉCURITÉ

AVERTISSEMENT : Pour réduire les risques d'incendie, de choc électrique ou de blessures lors de l'utilisation de la laveuse/sécheuse, suivre les précautions fondamentales dont les suivantes :

- Lire toutes les instructions avant d'utiliser la laveuse/sécheuse.
- Ne pas placer des articles exposés aux huiles de cuisson dans votre sècheuse. Les articles contaminés par des huiles de cuisson peuvent contribuer à une réaction chimique qui pourrait causer à la charge de s'enflammer.
- Ne pas faire laver ou sécher des articles qui ont été nettoyés ou lavés avec de l'essence ou imbibés d'essence, solvants de nettoyage à sec, ou autres substances inflammables ou explosives; ces substances peuvent émettre des vapeurs susceptibles de s'enflammer ou d'exploser.
- Ne pas ajouter d'essence, solvant de nettoyage à sec ou autre produit inflammable ou explosif dans l'eau de lavage. Ces substances peuvent émettre des vapeurs susceptibles de s'enflammer ou d'exploser.
- Ne pas laisser des enfants jouer sur ou à l'intérieur de la laveuse/sécheuse. Bien surveiller les enfants lorsque la laveuse/sécheuse est utilisée à proximité d'enfants.
- Avant de mettre la laveuse/sécheuse au rebut ou hors de service, enlever la porte ou le couvercle.
- Ne pas tenter d'atteindre un article à l'intérieur de la cuve de la laveuse/sécheuse lorsque le tambour, la cuve ou l'agitateur est en mouvement.
- Ne pas installer ou remiser cette laveuse/sécheuse à un endroit où elle serait exposée aux intempéries.
- Ne pas modifier les organes de commande.
- Nettoyer le filtre à charpie avant et après chaque charge.
- Dans certaines conditions, de l'hydrogène gazeux peut se former dans un circuit d'eau chaude qui n'a pas été utilisé pendant 2 semaines ou plus. LE GAZ HYDROGÈNE EST EXPLOSIBLE. Si le circuit d'eau chaude n'a pas été utilisé pendant une telle période, avant d'utiliser la laveuse/sécheuse, ouvrir tous les robinets d'eau chaude et laisser l'eau s'écouler pendant plusieurs minutes par chaque robinet. Ceci permettra l'évacuation de l'hydrogène gazeux accumulé. Comme ce gaz est inflammable, ne pas fumer ou utiliser une flamme nue au cours de cette période.
- Ne pas réparer ou remplacer un composant quelconque de la laveuse/sécheuse, ni entreprendre une opération de service, si ce n'est spécifiquement recommandé dans ce manuel ou dans un manuel d'instructions de réparations destiné à l'utilisateur; il est alors essentiel que la personne concernée comprenne ces instructions et soit compétente pour les exécuter.
- Ne pas utiliser un produit assouplissant de tissu ou des produits pour éliminer la statique à moins qu'ils ne soient recommandés par le fabricant du produit assouplissant de tissu ou du produit.
- Ne pas utiliser la chaleur pour faire sécher des articles fabriqués avec du caoutchouc mousse ou des matériaux semblables.
- Ne pas laisser la charpie, la poussière, ou la saleté s'accumuler autour du système d'évacuation ou autour de l'appareil.
- Un nettoyage périodique de l'intérieur de la sècheuse et du conduit d'évacuation doit être effectué par une personne qualifiée.
- Voir la section "Spécifications électriques" dans les instructions d'installation pour les instructions de mise à la terre.

CONSERVEZ CES INSTRUCTIONS

Avertissements de la proposition 65 de l'État de Californie :

AVERTISSEMENT : Ce produit contient au moins un produit chimique connu par l'État de Californie pour être à l'origine de cancers.

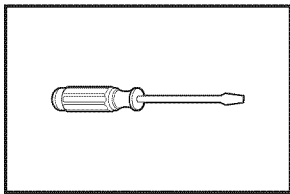
AVERTISSEMENT : Ce produit contient au moins un produit chimique connu par l'État de Californie pour être à l'origine de malformations et autres déficiences de naissance.

Exigences d'installation

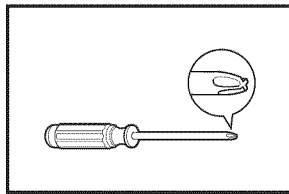
Outillage et Pièces

Rassembler les outils et pièces nécessaires avant de commencer l'installation.

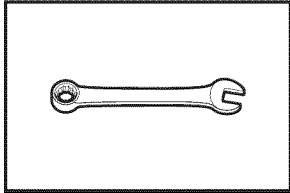
Outillage nécessaire :



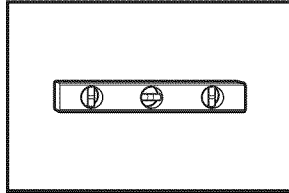
Tournevis à lame plate



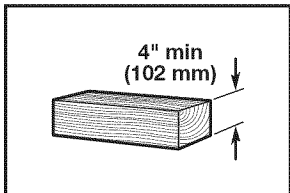
Tournevis Phillips n° 2



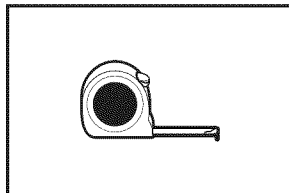
Clé à molette ou clé hexagonale de 9/16" (14 mm)



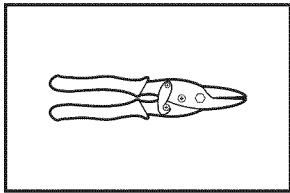
Niveau



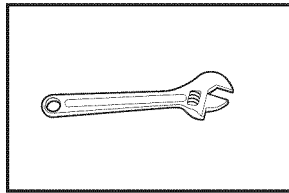
Cale en bois



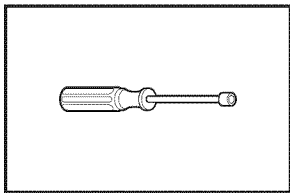
Règle ou mètre ruban



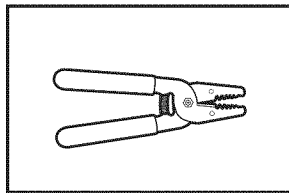
Cisaille de ferblantier (pour l'installation d'un nouveau conduit)



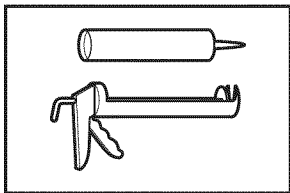
Clé à molette avec ouverture jusqu'à 1" (25 mm) ou clé à douille à tête hexagonale



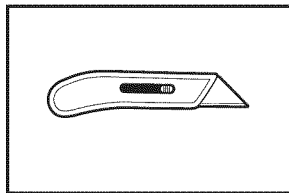
Tourne-écrou de 1/4" (recommandé)



Pince à dénuder

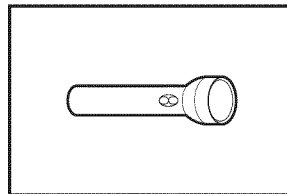


Pistolet à calfeutrage et composé de calfeutrage (pour l'installation d'un nouveau conduit d'évacuation)

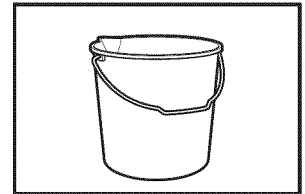


Couteau

Outillage facultatif :



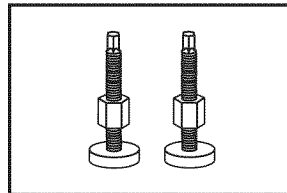
Lampe de poche



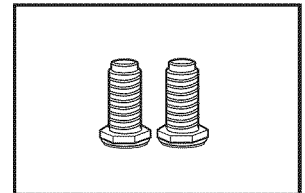
Seau

Pièces fournies :

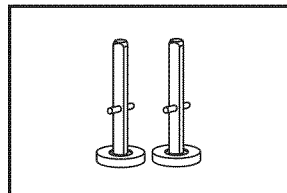
REMARQUE : Retirer le sachet de pièces du panier de la laveuse. Vérifier que toutes les pièces de la liste sont présentes.



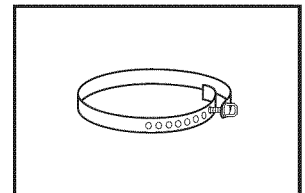
Pieds de nivellement avant avec écrous (2) (modèles de 27")



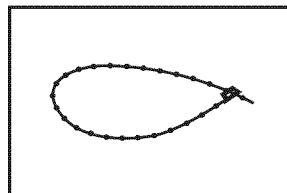
Pieds de nivellement avant (2) (modèles de 24")



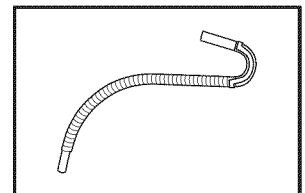
Pieds de nivellement arrière (modèles de 24")



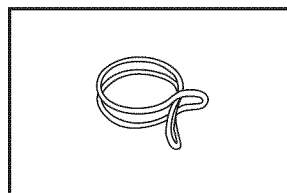
Sangle d'expédition (modèles de 27") (Non incluse dans le sachet de pièces. Voir "Enlever la sangle d'expédition".)



Sangle en plastique (modèles de 24")

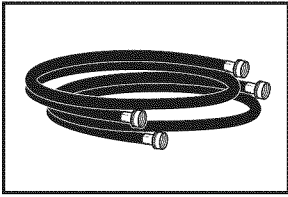


Tuyau de vidange



Bride de serrage argent, à deux fils

Pièces nécessaires : (Non fournies avec la laveuse/sécheuse)



- Brides de conduit
- Coudes d'évacuation et conduits

Tuyaux d'arrivée d'eau avec rondelles plates

Consulter les codes locaux, vérifier l'alimentation électrique et le conduit d'évacuation existants, et consulter les sections "Spécifications électriques" et "Exigences concernant l'évacuation" avant d'acheter les pièces nécessaires. Les installations pour maison mobile nécessitent un système d'évacuation en métal qui peut être acheté chez le marchand chez qui vous avez acheté votre laveuse/sécheuse. Pour plus d'information, veuillez consulter la section "Assistance ou service" de Guide d'utilisation et d'entretien de la laveuse/sécheuse.

Équipement facultatif :

(Non fourni avec la laveuse/sécheuse)

Se référer au Guide d'utilisation et d'entretien pour des renseignements sur les accessoires disponibles pour la laveuse/sécheuse.

Autres pièces : (Non fournies avec la laveuse/sécheuse)

Il se peut que l'installation nécessite des pièces supplémentaires. Pour commander, consulter les numéros d'appel sans frais sur la page arrière du Guide d'utilisation et d'entretien.

Si vous avez :

Un égout surélevé

Égout au plancher

Tuyau de rejet à l'égout rigide de 1" (25 mm)

Évier de buanderie ou tuyau de rejet à l'égout de plus de 96" (2,4 m)

Un tuyau de vidange trop court

Le système d'évacuation obstrué par de la charpie

Robinetts d'eau hors de portée des tuyaux de remplissage

Il vous faudra :

Tuyau de vidange standard de 20 gal. (76 L) de 39" (991 mm) de haut ou Évier de décharge, Pompe de puisard et Connecteurs (disponibles chez les vendeurs de matériel de plomberie locaux)

Brise-siphon Pièce n° 285320, tuyau de vidange supplémentaire Pièce n° 285702, et kit de connexion Pièce n° 285442

Adaptateur pour tuyau de rejet à l'égout rigide de diamètre 2" (51 mm) à 1" (25 mm) Pièce n° 3363920, Ensemble de connexion Pièce n° 285835

Système de pompe de puisard (si non déjà disponible)

Tuyau de vidange supplémentaire Pièce n° 285863, Ensemble de connexion Pièce n° 285835

Protecteur de canalisation Pièce n° 367031, Ensemble de connexion Pièce n° 285835

2 tuyaux de remplissage d'eau plus longs : 6 pi (1,8 m) Pièce n° 76314, 10 pi (3,0 m) Pièce n° 350008

Exigences d'emplacement

⚠ AVERTISSEMENT



Risque d'explosion

Garder les matières et les vapeurs inflammables, telle que l'essence, loin de la sècheuse.

Ne pas installer dans un garage.

Le non-respect de ces instructions peut causer un décès, une explosion ou un incendie.

Le choix d'un emplacement approprié pour la laveuse/sècheuse en améliore le rendement et réduit au minimum le bruit et le "déplacement" possible de la laveuse. La laveuse/sècheuse peut être installée dans un sous-sol, une salle de buanderie, un placard ou un encastrément.

Il vous faudra :

- Un emplacement permettant une évacuation appropriée. Voir "Exigences concernant l'évacuation".
- Un circuit distinct de 30 A.
- Si on utilise un cordon d'alimentation, une prise électrique avec liaison à la terre située à moins de 2 pi (610 mm) de l'un des côtés de la laveuse/sècheuse. Voir "Spécifications électriques".
- Un plancher capable de supporter le poids total de 500 lb (226,8 kg) de la laveuse/sècheuse (eau et charge compris).
- Un plancher de niveau avec une pente maximale de 1" (25 mm) sous l'ensemble de la laveuse/sècheuse. Si la laveuse/sècheuse n'est pas d'aplomb, le linge peut ne pas culbuter convenablement et les programmes commandés par des détecteurs automatiques peuvent ne pas fonctionner correctement. L'installation sur de la moquette n'est pas recommandée.
- Un chauffe-eau réglé à 120°F (49°C).
- Des robinets d'eau chaude et d'eau froide situés à moins de 4 pi (1,2 m) des électrovannes de remplissage d'eau chaude et d'eau froide situées sur la laveuse et une pression d'eau de 5–100 lb/po² (34,5 à 689,6 kPa).

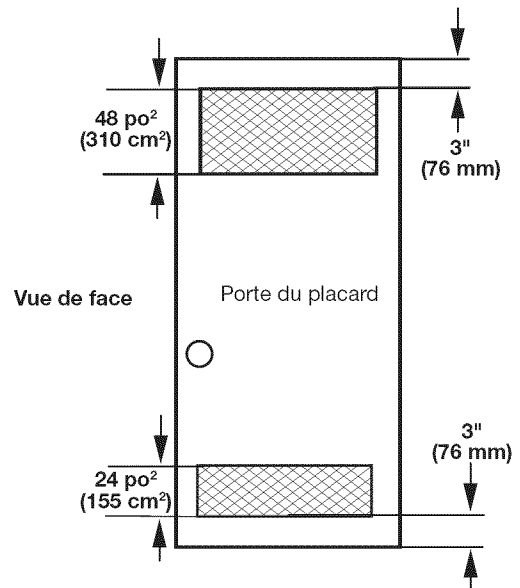
La laveuse/sècheuse ne doit pas être installée ou remisee dans un endroit où elle sera exposée à l'eau et/ou aux intempéries.

Ne pas faire fonctionner la laveuse à une température de 32°F (0°C) ou moins. Un peu d'eau peut rester dans la laveuse et causer des dommages à basses températures. Voir "Entretien de la laveuse/sècheuse" dans le Guide d'utilisation et d'entretien de la laveuse/sècheuse pour les renseignements sur l'hivernisation.

Ne pas faire fonctionner la sècheuse à des températures inférieures à 45°F (7°C). À des températures inférieures, la sècheuse risque de ne pas s'arrêter à la fin d'un programme automatique. Ceci risque de prolonger les durées de séchage.

Vérifier les règlements locaux. Certains codes limitent ou n'autorisent pas l'installation de la laveuse/sècheuse dans un garage, un placard, une maison mobile ou une chambre à coucher. Communiquer avec l'inspecteur des bâtiments local.

Installation dans un encastrément ou un placard



On recommande les dimensions d'espacement ci-dessus pour cette laveuse/sècheuse. Cette laveuse/sècheuse a été testée pour une installation avec des dégagements de 0" (0 mm) sur les côtés. L'espacement recommandé doit être considéré pour les raisons suivantes :

- On prévoira un peu plus d'espace pour faciliter l'installation et l'entretien.
- Un espace supplémentaire peut être requis pour les moulures de porte et de plancher et pour les plinthes.
- Ajouter un espace supplémentaire de tous les côtés de la laveuse/sècheuse pour réduire le transfert de bruit.
- Pour une installation dans un placard avec porte, on doit prévoir des ouvertures minimums d'entrée d'air en haut et en bas de la porte. Les portes à claire-voie offrant des ouvertures équivalentes de passage de l'air sont acceptables.

Installation dans une maison mobile – autres exigences

Cette laveuse/sècheuse peut être installée dans une maison mobile. L'installation doit satisfaire les critères de la Norme canadienne des habitations préfabriquées, CAN/CSA-Z240 MH.

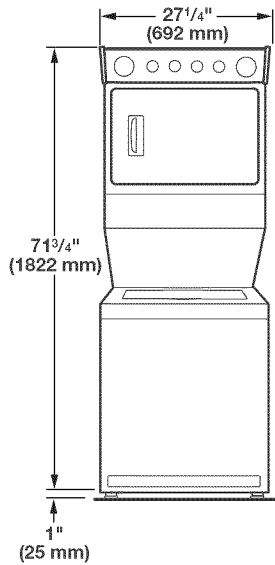
L'installation dans une maison mobile exige :

- Système d'évacuation en métal, disponible et en vente en magasin.
- Dispositions spéciales dans les maisons mobiles pour l'apport d'air de l'extérieur dans la sècheuse. L'ouverture (telle qu'une fenêtre à proximité) devrait être au moins deux fois plus grande que l'ouverture de décharge de la sècheuse.

Dimensions/Distances de dégagement, modèles de 27"

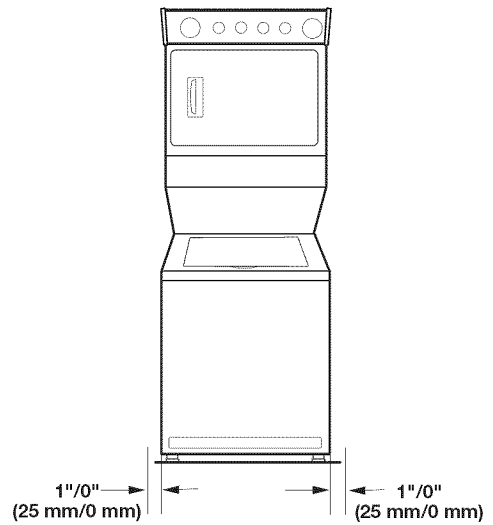
Dimensions

Vue de face

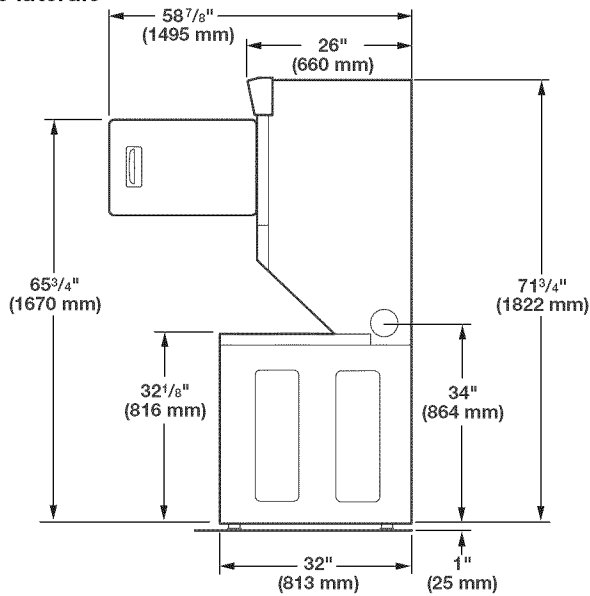


Distances de dégagement

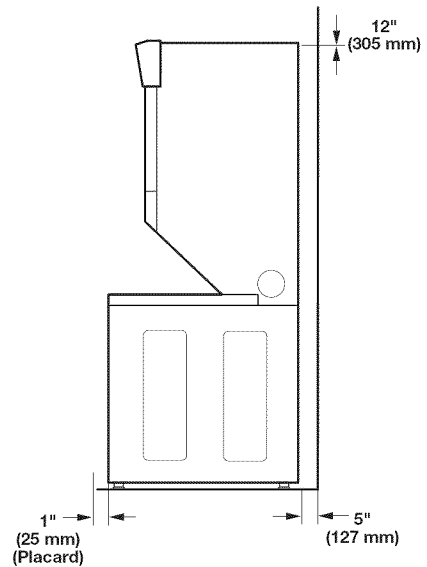
Distances de dégagement latéral (recommandées/minimales)



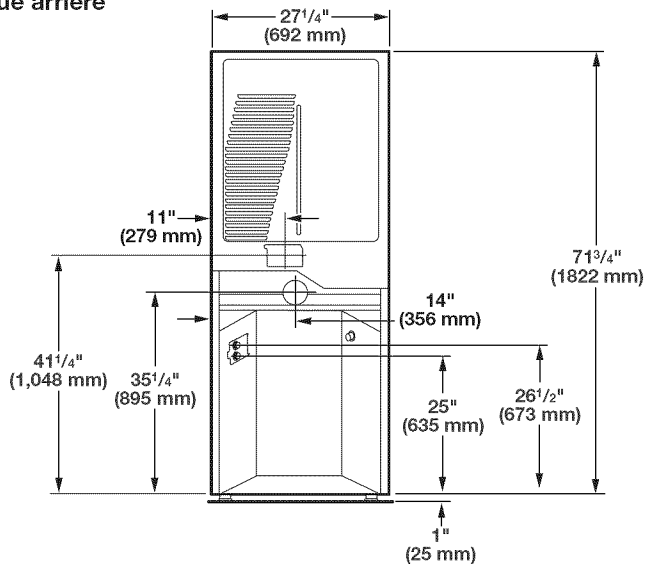
Vue latérale



Distances de dégagement à l'avant/à l'arrière/sur le dessus



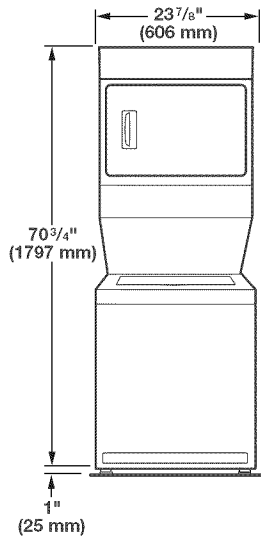
Vue arrière



Dimensions/Distances de dégagement, modèles de 24"

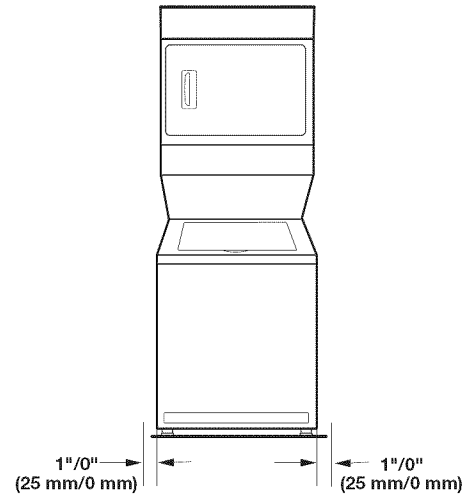
Dimensions

Vue de face

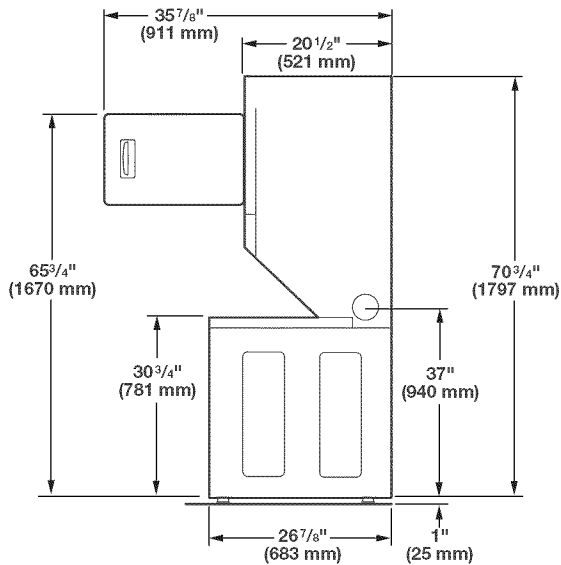


Distances de dégagement

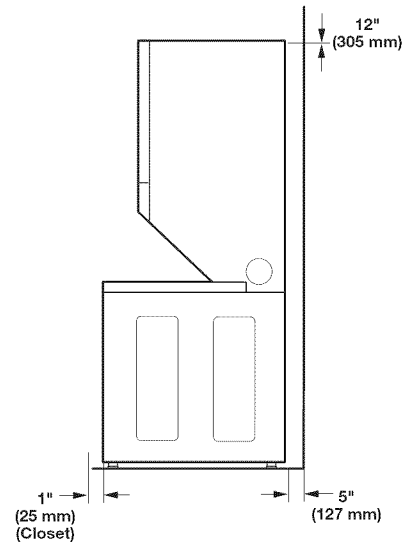
Distances de dégagement latéral (recommandées/minimales)



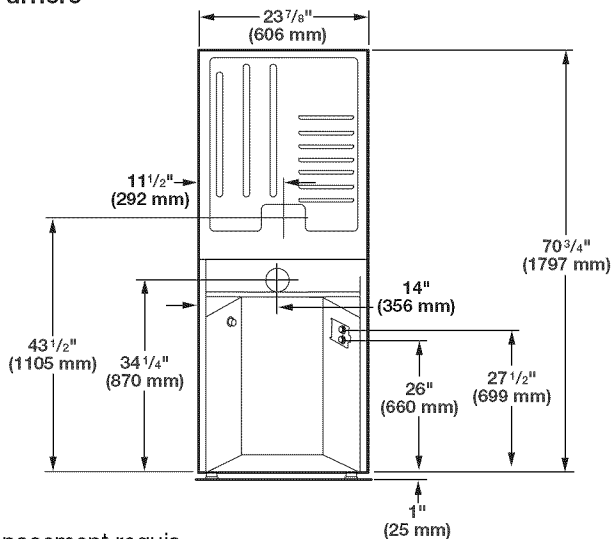
Vue latérale



Distances de dégagement à l'avant/à l'arrière/sur le dessus



Vue arrière



*Espace requis.

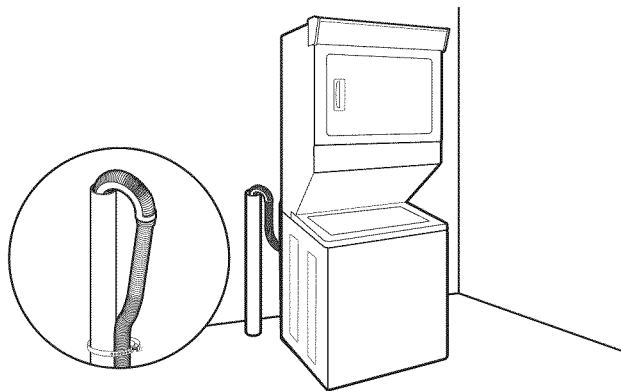
**L'espace à l'arrière peut être de 0" (0 mm) lorsque le système d'évacuation de la maison est aligné directement avec l'évacuation de la sècheuse.

Système de vidange

Le système de vidange de la laveuse peut être installé à l'aide d'un conduit d'évacuation au plancher, un tuyau de rejet à l'égout au plancher ou mural ou un évier de buanderie. Sélectionner la méthode à utiliser.

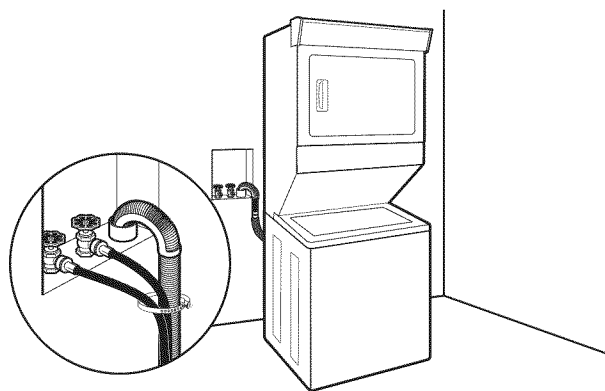
Système de vidange avec tuyau de rejet à l'égout au plancher

Diamètre minimal pour un tuyau de rejet à l'égout : 2" (51 mm). Capacité minimale d'acheminement : 17 gal. (64 L) par minute. Le sommet du tuyau de rejet à l'égout doit avoir une hauteur d'au moins 39" (991 mm); ne pas l'installer à plus de 96" (2,4 m) du fond de la laveuse. Si on doit l'installer à plus de 96" (2,4 m) de hauteur, un système de pompe de puisard est nécessaire.



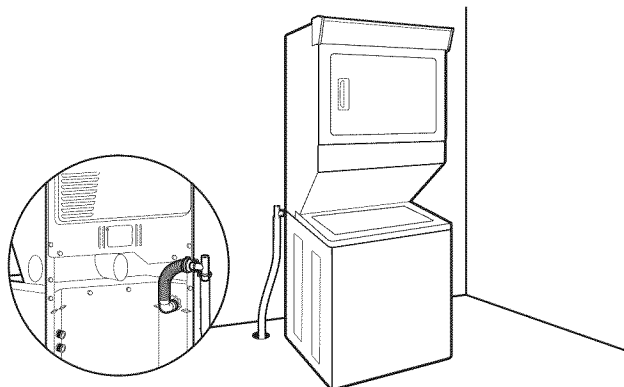
Système de vidange avec tuyau de rejet à l'égout mural

Voir les exigences pour le système de vidange avec tuyau de rejet à l'égout au plancher.



Système de vidange au plancher

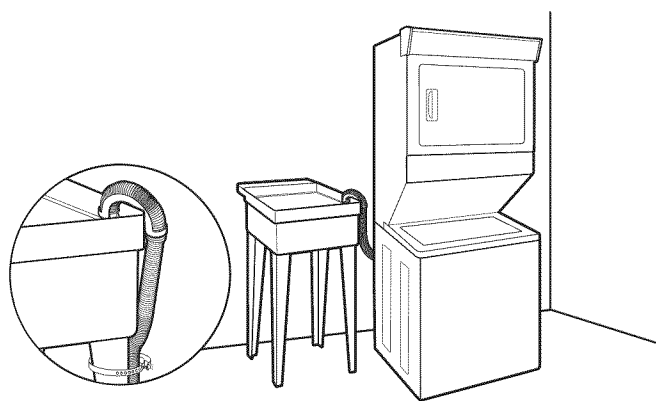
Le système de vidange au plancher nécessite un ensemble de brise-siphon (pièce numéro 285834), deux ensembles de connexion (pièce numéro 285835), et un tuyau de vidange supplémentaire (pièce numéro 285863) qui peuvent être achetés séparément. Pour commander, consulter les numéros d'appel sans frais figurant dans le Guide d'utilisation et d'entretien de la laveuse/sécheuse. Dimension minimale pour le brise-siphon : 28" (710 mm) à partir du fond de la laveuse/sécheuse. (Des tuyaux supplémentaires peuvent être requis).



Système de vidange dans un évier de buanderie

Capacité minimale : 20 gal. (76 L). Le sommet de l'évier de buanderie doit se trouver à au moins 39" (991 mm) du plancher (modèles de 27"), ou au moins 34" (864 mm) du plancher (modèles de 24"); ne pas l'installer à plus de 96" (2,4 m) du fond de la laveuse/sécheuse.

IMPORTANT : Pour éviter un effet de siphon, ne pas introduire plus de 4,5" (114 mm) de tuyau de vidange à l'intérieur du tuyau de rejet à l'égout ou sous la partie supérieure d'évier de buanderie. Immobiliser le tuyau de vidange avec la sangle d'expédition ou la sangle en plastique.



Spécifications électriques – Canada

⚠ AVERTISSEMENT



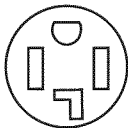
Risque de choc électrique

Brancher sur une prise à 4 alvéoles reliée à la terre.

Le non-respect de cette instruction peut causer un décès ou un choc électrique.

C'est à l'utilisateur qu'incombe la responsabilité de :

- Contacter un électricien qualifié.
- S'assurer que les connexions électriques sont adéquates et conformes au Code canadien de l'électricité, C22.1 – dernière édition et à tous les codes locaux. Pour obtenir un exemplaire de la norme des codes ci-dessus, contacter : Association canadienne de normalisation, 178 Rexdale Blvd., Toronto, ON M9W 1R3 CANADA.
- Alimenter l'appareil uniquement par un circuit monophasé de 120/240 volts CA, 60 Hz à 4 fils, sur un circuit séparé de 30 ampères, fusionné aux deux extrémités de la ligne. On recommande d'utiliser un fusible ou un disjoncteur temporisé. On recommande également que cet appareil soit alimenté par un circuit indépendant.
- Cette sècheuse est équipée d'un cordon électrique homologué par la CSA International à introduire dans une prise murale standard 14-30R. Le cordon mesure 5 pi (1,52 m). Veiller à ce que la prise murale se trouve à proximité de l'emplacement définitif de la sècheuse.



Prise murale
à 4 fils
(14-30R)

Si on utilise un cordon d'alimentation de rechange, il est recommandé d'utiliser le cordon d'alimentation de rechange numéro de pièce 9831317.

Pour plus de renseignements, consulter les numéros de service qui se trouvent dans le Guide d'utilisation et d'entretien de la laveuse/sècheuse.

INSTRUCTIONS DE LIAISON À LA TERRE

- Pour une laveuse/sècheuse reliée à la terre et connectée par un cordon :

Cette laveuse/sècheuse doit être reliée à la terre. En cas de mauvais fonctionnement ou de panne, la liaison à la terre réduira le risque de choc électrique en offrant au courant électrique un acheminement d'évacuation de moindre résistance. Cette laveuse/sècheuse est alimentée par un cordon électrique comportant un conducteur relié à la terre et une fiche de branchement munie d'une broche de liaison à la terre. La fiche doit être branchée sur une prise appropriée qui est bien installée et reliée à la terre conformément à tous les codes et règlements locaux.

AVERTISSEMENT : Le raccordement incorrect de cet appareil au conducteur de liaison à la terre peut susciter un risque de choc électrique. En cas de doute quant à la qualité de liaison à la terre de la laveuse/sècheuse, consulter un électricien ou un technicien ou un personnel qualifié. Ne pas modifier la fiche de branchement fournie avec la laveuse/sècheuse; si la fiche ne correspond pas à la configuration de la prise de courant, demander à un électricien qualifié d'installer une prise de courant appropriée.

CONSERVEZ CES INSTRUCTIONS

Enlever la sangle d'expédition (modèles de 27")

⚠ AVERTISSEMENT

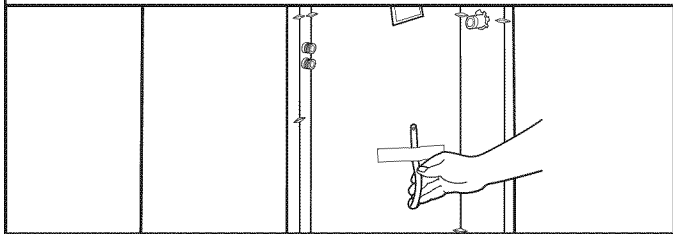
Risque du poids excessif

Utiliser deux ou plus de personnes pour déplacer et installer la laveuse/sécheuse.

Le non-respect de cette instruction peut causer une blessure au dos ou d'autre blessure.

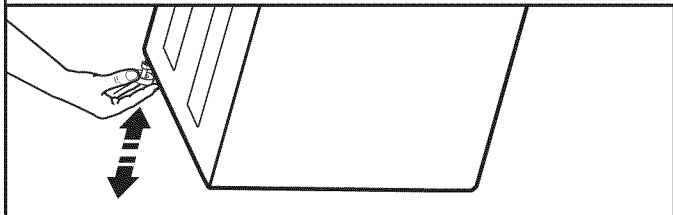
Pour éviter des dommages au plancher, placer la laveuse/sécheuse sur un carton avant de la déplacer sur le plancher. Placer la laveuse/sécheuse près de son emplacement final.

1. Enlever la sangle, l'étiquette et la goupille



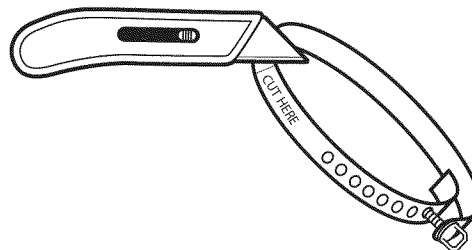
Ne pas couper la sangle jaune. Tirer fermement sur la sangle jaune pour l'enlever complètement de la laveuse/sécheuse. Il devrait y avoir 2 goupilles fendues au bout de la sangle d'expédition. Enlever l'étiquette et la goupille du tuyau d'évacuation.

2. Vérifier les pieds de nivellement arrière



Incliner la laveuse/sécheuse vers l'avant. Faire bouger chacun des 2 pieds arrière vers le haut puis vers le bas pour vérifier que les pieds de nivellement auto-réglables peuvent bouger librement. Ceci est nécessaire pour une mise à niveau correcte. Reposer doucement la laveuse/sécheuse sur le plancher.

3. Couper la sangle d'expédition



Couper la sangle d'expédition à environ 16" (406 mm) du bout de la fiche. Rechercher les inscriptions "CUT HERE" (COUPER ICI). Jeter le bout avec les goupilles fendues. Le reste de la sangle d'expédition sert à immobiliser le tuyau de vidange.

Installation des pieds de nivellement – (modèles de 27")

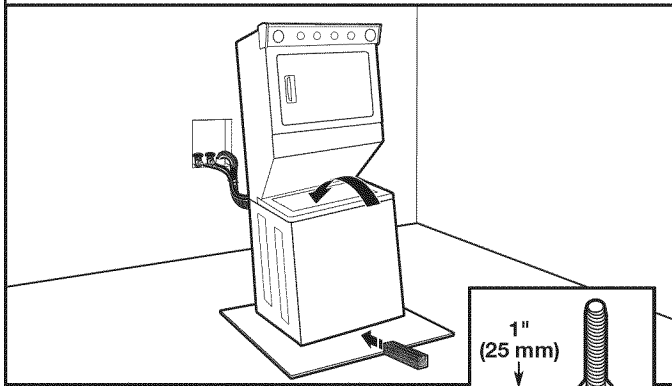
⚠ AVERTISSEMENT

Risque du poids excessif

Utiliser deux ou plus de personnes pour déplacer et installer la laveuse/sécheuse.

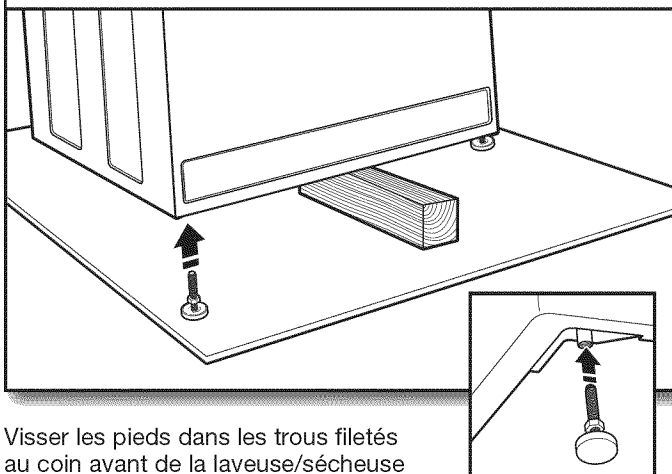
Le non-respect de cette instruction peut causer une blessure au dos ou d'autre blessure.

1. Préparer à installer les pieds de nivellement



Relever l'avant de la laveuse/sécheuse d'environ 4" (102 mm) à l'aide d'un bloc de bois ou autre objet similaire que peut supporter le poids de la laveuse/sécheuse. Puis, visser le contre-écrou sur chaque pied à 1" (25 mm) de la base.

2. Installation des pieds de nivellement avant



Visser les pieds dans les trous filetés au coin avant de la laveuse/sécheuse jusqu'à ce que les contre-écrous touchent la laveuse.

REMARQUE : Ne pas serrer les écrous avant l'aplomb parfait de la laveuse/sécheuse.

Incliner la laveuse/sécheuse vers l'arrière et retirer le bloc de bois. Reposer doucement la laveuse/sécheuse sur le sol.

Installation des pieds de nivellement – (modèles de 24")

⚠ AVERTISSEMENT

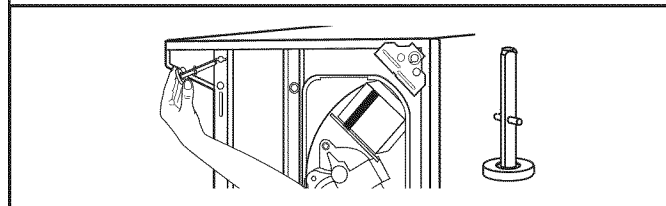
Risque du poids excessif

Utiliser deux ou plus de personnes pour déplacer et installer la laveuse/sécheuse.

Le non-respect de cette instruction peut causer une blessure au dos ou d'autre blessure.

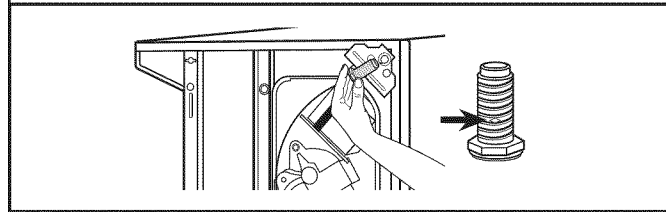
Pour protéger le plancher, utiliser une grande pièce plate du carton d'emballage. Placer doucement la laveuse/sécheuse sur le côté, sur le carton.

1. Installation des pieds de nivellement arrière



Pousser les pieds dans les trous des coins arrière jusqu'à ce qu'ils s'enclenchent. Vérifier que les pieds arrière sont bien en place en poussant sur l'un d'eux. L'autre pied devrait sortir. Vérifier les deux pieds. S'ils ne bougent pas librement, répéter la procédure.

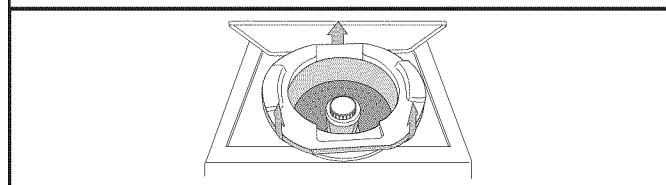
2. Installation des pieds de nivellement avant



Examiner les pieds de nivellement avant. Trouver le symbole de repérage (losange). Visser les pieds avant à la main, dans les trous des emplacements triangulaires aux coins avant. Utiliser une clé à molette pour visser les pieds jusqu'à ce que le symbole de repérage (losange) ne soit plus visible. Placer lentement la laveuse/sécheuse en position verticale.

Enlever l'emballage en mousse (modèles de 24")

1. Retirer l'anneau d'emballage en mousse de la laveuse



Ouvrir le couvercle de la laveuse. Le loquet sous la sécheuse maintiendra le couvercle ouvert. Retirer l'anneau d'emballage en mousse de la laveuse. **REMARQUE :** Conserver l'anneau en mousse et l'utiliser lors du transport de la laveuse/sécheuse. Ce matériau d'emballage est utilisé pour maintenir la cuve de la laveuse stable pendant le transport.

Évacuation

Exigences concernant l'évacuation

⚠ AVERTISSEMENT



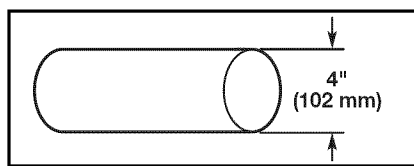
Risque d'incendie

- Utiliser un conduit d'évacuation en métal lourd.
- Ne pas utiliser un conduit d'évacuation en plastique.
- Ne pas utiliser un conduit d'évacuation en feuille de métal.
- Le non-respect de ces instructions peut causer un décès ou un incendie.

AVERTISSEMENT : Pour réduire le risque d'incendie, cette sècheuse doit ÉVACUER L'AIR À L'EXTÉRIEUR.

IMPORTANT : Respecter les dispositions de tous les codes et règlements en vigueur.

Le conduit d'évacuation de la sècheuse ne doit pas être connecté à une évacuation de gaz, une cheminée, un mur, un plafond, un grenier, un vide sanitaire ou un vide de construction. Seul un conduit en métal flexible ou rigide doit être utilisé pour l'évacuation.



Conduit d'évacuation en métal lourd de 4" (102 mm)

- Utiliser uniquement un conduit d'évacuation en métal lourd de 4" (102 mm) et des brides de serrage.
- Ne pas utiliser de conduit de plastique ou de métal très mince.

Conduit métallique rigide :

- Recommandé pour une meilleure performance de séchage et pour réduire les risques d'écrasement et de déformation.

Conduit métallique flexible : (Acceptable uniquement si accessible pour le nettoyage)

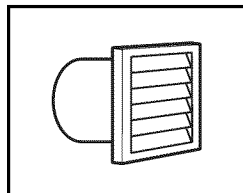
- Doit être complètement déployé et supporté dans l'emplacement final de la sècheuse.
- Enlever tout excès de conduit pour éviter tout affaissement et déformation susceptible de réduire la capacité d'évacuation et le rendement.
- Ne pas installer le conduit dans les cavités fermées des murs, plafonds ou planchers.
- La longueur totale ne doit pas excéder 7³/₄ pi (2,4 m).

REMARQUE : Lors de l'utilisation d'un système de décharge existant, nettoyer et éliminer la charpie sur toute la longueur du système et veiller à ce que le clapet d'évacuation ne soit pas obstrué par une accumulation de charpie. Remplacer tout conduit de plastique ou de feuille métallique par un conduit métallique rigide ou flexible. Examiner le "Tableau des systèmes d'évacuation" et au besoin, apporter les modifications nécessaires au système d'évacuation pour atteindre le meilleur rendement de séchage.

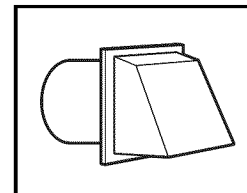
Clapets de décharge :

- Doit se situer à au moins 12" (305 mm) au-dessus du sol ou de tout objet susceptible d'obstruer l'évacuation (par exemple fleurs, roches, arbustes ou neige).

Styles recommandés :

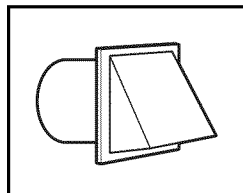


Clapet à persiennes



Clapet de type boîte

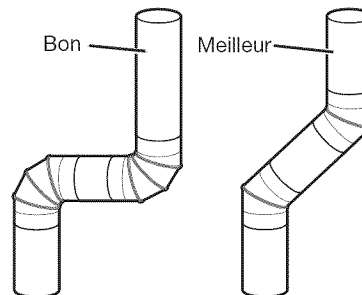
Style acceptable



Clapet incliné

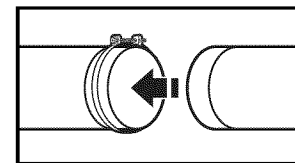
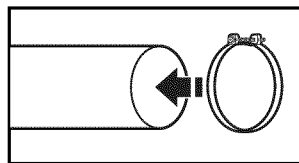
Coudes :

- Les coudes à 45° permettent une meilleure circulation de l'air que les coudes à 90°.



Brides de serrage :

- Utiliser des brides de serrages pour sceller tous les joints.
- Le conduit d'évacuation ne doit pas être connecté ou fixé avec des vis ou avec tout autre dispositif de serrage qui se prolonge à l'intérieur du conduit et où la charpie risque de s'accrocher. Ne pas utiliser de ruban adhésif pour conduit.



Une mauvaise évacuation de l'air peut causer de l'humidité et une accumulation de charpie à l'intérieur de la maison, ce qui peut provoquer :

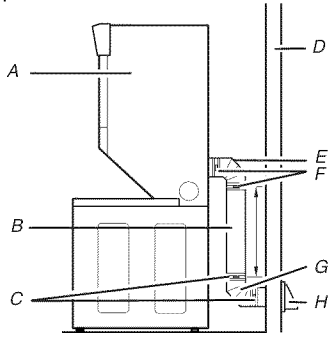
- Dommages par l'humidité aux boiseries, meubles, peinture, papier-peint, tapis, etc.
- Problèmes de nettoyage dans la maison et problèmes de santé.

Voir "Trousses d'évacuation" pour plus de renseignements.

Planification du système d'évacuation

Installations d'évacuation recommandées

Les installations typiques consistent à acheminer le conduit d'évacuation à l'arrière de la laveuse/sécheuse. D'autres installations sont possibles.



- A. Sécheuse
- B. Conduit d'évacuation métallique rigide ou flexible
- C. Brides
- D. Mur
- E. Coude
- F. Brides
- G. Coude
- H. Clapet d'évacuation

Installations d'évacuation facultatives :

Cette laveuse/sécheuse peut s'évacuer par la droite ou par la gauche. Pour convertir la laveuse/sécheuse, utiliser l'ensemble d'évacuation par les côtés Pièce numéro 279823. Si votre laveuse/sécheuse s'évacuait par la droite ou par la gauche auparavant, elle peut être convertie à l'évacuation par l'arrière en utilisant des connexions désaxées classiques. Pour recouvrir le trou sur le côté, on peut ajouter l'un des bouchons suivants : 692790 (blanc), 3977784 (biscuit)

Suivre les instructions dans la trousse d'installation. Les trousse sont disponibles au magasin où la laveuse/sécheuse a été achetée.

⚠ AVERTISSEMENT

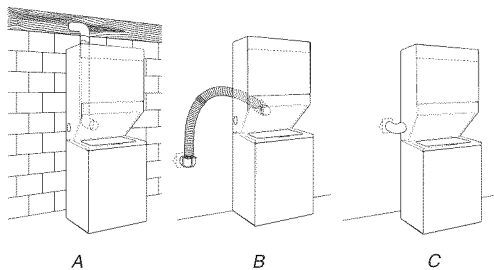


Risque d'incendie

Recouvrir tous les orifices d'évacuation non utilisés avec une trousse du fabricant.

Contactez votre marchand local.

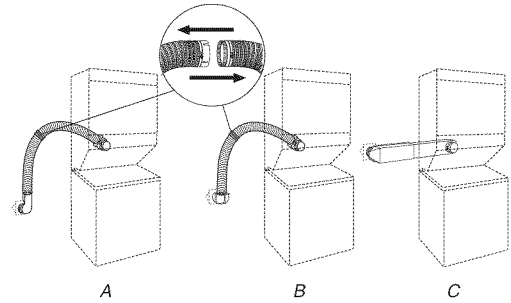
Le non-respect de ces instructions peut causer un décès, un incendie, un choc électrique ou une blessure grave.



- A. Acheminement standard du conduit d'évacuation par l'arrière
- B. Évacuation par l'arrière pour connexion désaxée avec dégagement réduit
- C. Acheminement du conduit d'évacuation par la gauche ou par la droite

Autres installations où le dégagement est réduit

Il existe de nombreux systèmes d'évacuation. Choisir le système qui convient le mieux à votre installation. Trois installations à dégagement réduit sont illustrées. Consulter les instructions du fabricant fournies avec le système d'évacuation.



- A. Système dévié avec coudes classiques
- B. Système dévié avec un double coude et un coude classique
- C. Système d'évacuation avec un périscope (dégagement de 2" [51 mm])

REMARQUE : On peut acheter les trousse suivantes pour les installations où le dégagement est réduit.

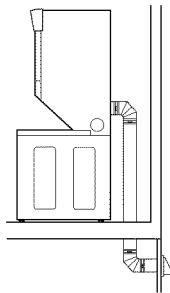
Trousses d'évacuation

Pour plus d'informations, composer le **1-800-807-6777** ou consulter notre site Web à l'adresse www.whirlpoolparts.ca.

Numéro de pièce	Descriptions
4396028	Installation sur le dessus
4396037	0" (0 mm) à 18" (457 mm) Installation avec périscope (Pour utilisation en cas de non-concordance de la bouche de décharge de la sécheuse avec la bouche d'évacuation murale)
4396011	18" (457 mm) à 29" (737 mm) Installation avec périscope (Pour utilisation en cas de non-concordance de la bouche de décharge de la sécheuse avec la bouche d'évacuation murale)
4396014	29" (737 mm) à 50" (1,27 m) Installation avec périscope (Pour utilisation en cas de non-concordance de la bouche de décharge de la sécheuse avec la bouche d'évacuation murale)
4392892	Conduit métallique DuraVent™ intra-mural type périscope
279818	Trousse d'évacuation à 4 voies, blanc
W10186596	Trousse d'évacuation à 4 voies, gris universel
4396028	Trousse d'évacuation Sure Connect™ (installation par le dessus)
4396009RP	Raccord d'évacuation universel souple de 5 pi pour sécheuse
4396010RP	Conduit d'évacuation souple SecureConnect™ de 6 pi pour sécheuse
4396013RB	Trousse d'installation de conduit d'évacuation de sécheuse
4396033RP	Conduit d'évacuation souple de 5 pi pour sécheuse avec brides
4396727RP	Conduit d'évacuation souple de 8 pi pour sécheuse avec brides
4396004	Coude décalé pour sécheuse
4396005	Coude décalé mural
4396006RW	Coude serré DuraSafe™
4396007RW	Bouche d'évacuation à travers le mur
4396008RP	Brides d'évacuation en acier inoxydable de 4" pour sécheuse – Lot de 2
8212662	Bouche d'évacuation à persiennes affleurante de 4"

Dispositions spéciales pour les maisons mobiles :

Le système d'évacuation doit être solidement fixé à une section non combustible de la structure de la maison mobile et ne doit pas se terminer en dessous de celle-ci. Acheminer le conduit d'évacuation vers l'extérieur.



Déterminer l'itinéraire d'acheminement du conduit :

- Choisir l'itinéraire d'acheminement vers l'extérieur qui sera le plus direct et le plus rectiligne.
- Planifier l'installation pour introduire le nombre minimal de coudes et de changements de direction.
- Si des coudes ou changements de direction sont utilisés, prévoir autant d'espace que possible.
- Plier le conduit graduellement pour éviter de le déformer.
- Utiliser le moins de changements de direction à 90° possible.

Déterminer la longueur du conduit et les coudes nécessaires :

- Utiliser le tableau des systèmes d'évacuation ci-dessous pour déterminer le type de composants et les combinaisons acceptables.

REMARQUE : Ne pas utiliser un conduit de longueur supérieure à la valeur spécifiée dans le "Tableau des systèmes d'évacuation". Si la longueur du circuit est supérieure à la valeur spécifiée dans le tableau, on observera :

- Une réduction de la longévité de la sècheuse.
- Une réduction du rendement, avec temps de séchage plus longs et une plus grande consommation d'énergie.

Le "Tableau des systèmes d'évacuation" fournit les exigences d'évacuation qui vous aideront à atteindre la meilleure performance de séchage.

Tableau des systèmes d'évacuation, modèles de 27"

Nombre de coudes à 90°	Type de conduit d'évacuation	Clapets de type boîte/ à persiennes	Clapets inclinés
0	Métal. rigide	37 pi (11,3 m)	35 pi (10,7 m)
1	Métal. rigide	32 pi (9,7 m)	27 pi (8,2 m)
2	Métal. rigide	23 pi (7,0 m)	19 pi (5,8 m)

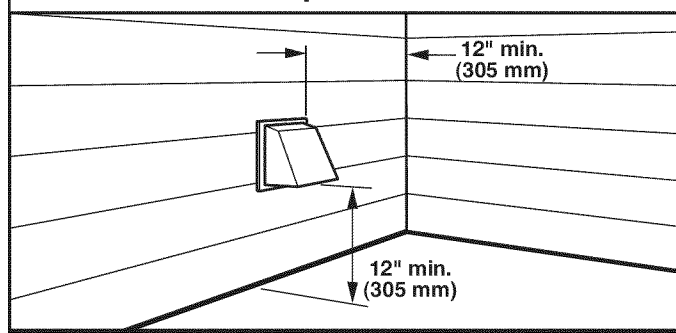
Tableau des systèmes d'évacuation, modèles de 24"

Nombre de coudes à 90°	Type de conduit d'évacuation	Clapets de type boîte/ à persiennes	Clapets inclinés
0	Métal. rigide	43 pi (13,1 m)	36 pi (11,0 m)
1	Métal. rigide	33 pi (10,1 m)	26 pi (7,9 m)
2	Métal. rigide	23 pi (7,0 m)	16 pi (4,9 m)

REMARQUE : Les installations d'évacuation par le côté comportent un changement de direction à 90° à l'intérieur de la sècheuse. Pour déterminer la longueur maximale d'évacuation lorsqu'on consulte le tableau, ajouter un changement de direction à 90° au nombre total de coudes.

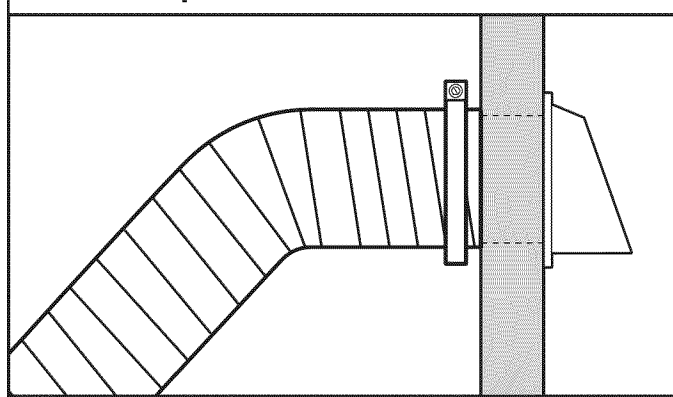
Installation du conduit d'évacuation

1. Installer le clapet d'évacuation



Installer un clapet d'évacuation et calfeutrer l'ouverture murale à l'extérieur autour du clapet d'évacuation.

2. Raccorder le conduit d'évacuation au clapet



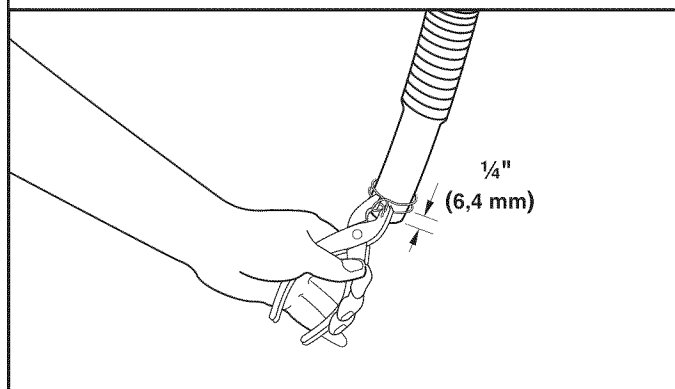
Le conduit doit être inséré à l'intérieur du manchon du clapet. Fixer ensemble le conduit et le clapet avec une bride de 4" (102 mm). Acheminer le conduit d'évacuation jusqu'à l'emplacement de la sècheuse en utilisant l'itinéraire le plus rectiligne possible. Éviter les changements de direction à 90°. Utiliser des brides de serrage pour sceller tous les joints. Ne pas utiliser de ruban adhésif pour conduit, de vis ou autres dispositifs de fixation qui se prolongeraient à l'intérieur du conduit pour sécuriser l'évacuation, où la charpie pourrait s'accrocher.

Raccordement du tuyau de vidange

Une bonne connexion du tuyau de vidange protège vos planchers contre les dommages imputables à une fuite d'eau. Pour éviter que le tuyau de vidange se détache ou fuie, l'installer en suivant les instructions ci-dessous.

IMPORTANT : Pour une installation correcte, suivre attentivement les étapes ci-dessous.

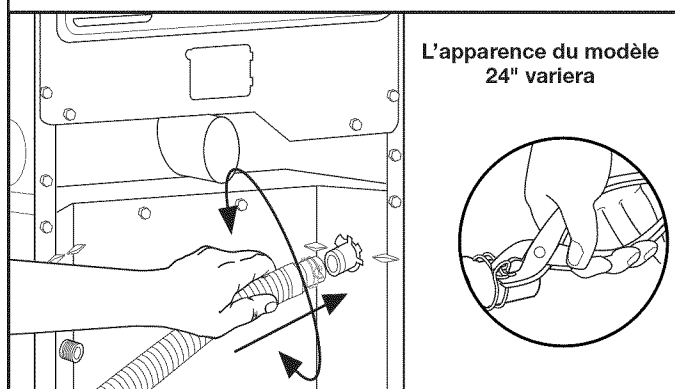
1. Fixer la bride au tuyau de vidange



Vérifier que le tuyau de vidange a la bonne longueur. Mouiller la surface intérieure de l'extrémité rectiligne du tuyau de vidange avec de l'eau du robinet.

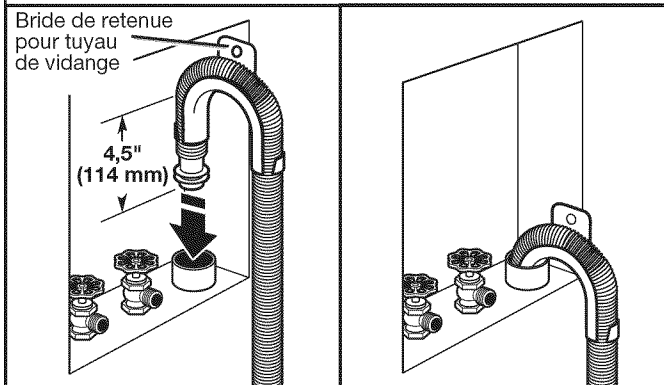
IMPORTANT : Ne pas utiliser de lubrifiant autre que de l'eau. Presser les pattes de la bride de serrage argent à deux fils à l'aide d'une pince pour l'ouvrir. Placer la bride sur l'extrémité droite du tuyau de vidange à 1/4" (6,4 mm) de l'extrémité.

2. Fixer le tuyau de vidange au raccord de vidange (modèle de 27" illustré)



Ouvrir la bride de serrage. Tourner le tuyau d'un côté et de l'autre en poussant sur le raccord de vidange sur le côté de la laveuse/sécheuse. Continuer jusqu'à ce que le raccord touche les butées nervurées sur le placard. Placer la bride à l'endroit indiqué "CLAMP". Relâcher la bride.

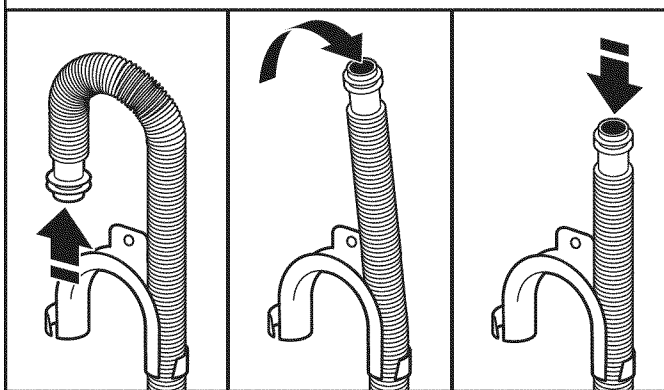
3. Placer le tuyau de vidange dans le tuyau de rejet à l'égout



Placer le tuyau dans le tuyau de rejet à l'égout (illustré sur l'image) ou par-dessus le côté de l'évier de buanderie.

IMPORTANT : 4,5" (114 mm) du tuyau de vidange doit être à l'intérieur du tuyau de rejet à l'égout; ne pas forcer l'excédent de tuyau dans le tuyau de rejet à l'égout ni le placer dans l'évier de buanderie. On doit utiliser la bride de retenue pour tuyau de vidange.

4. Retrait de la bride de retenue pour tuyau de vidange (installations avec vidange au plancher uniquement)



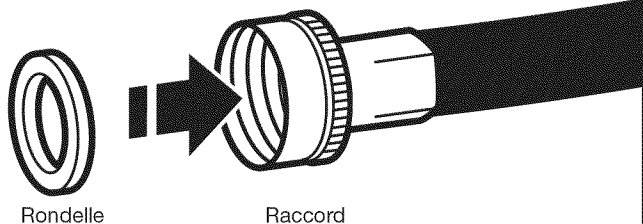
Pour les installations avec vidange au plancher, il faut retirer la bride de retenue pour tuyau de vidange de l'extrémité du tuyau de vidange. Des pièces supplémentaires avec des directives distinctes seront peut-être nécessaires. Voir "Outillage et pièces".

Raccordement des tuyaux d'arrivée d'eau

La laveuse doit être raccordée aux robinets à l'aide de tuyaux d'arrivée d'eau neufs dotés de rondelles plates (non compris). Ne pas utiliser de tuyaux usagés.

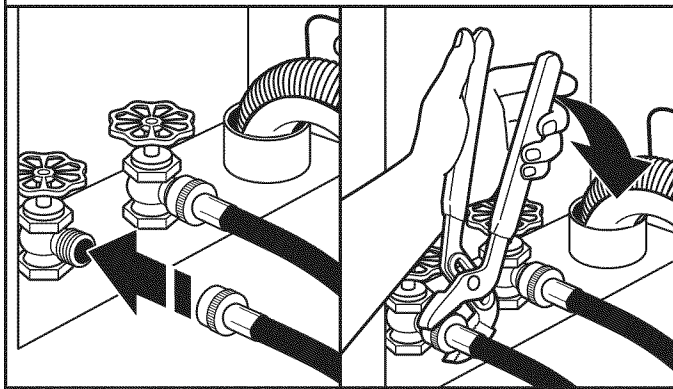
REMARQUE : Les deux tuyaux doivent être fixés et l'eau doit pénétrer dans les robinets d'arrivée d'eau. Si l'on effectue un raccordement uniquement à un robinet d'eau froide, on doit utiliser un adaptateur en Y (non fourni).

1. Insérer une rondelle dans chaque tuyau



Insérer une nouvelle rondelle plate dans chaque extrémité des tuyaux d'arrivée d'eau (non fournis). Insérer fermement les rondelles dans les raccords.

2. Raccorder les tuyaux d'arrivée d'eau aux robinets

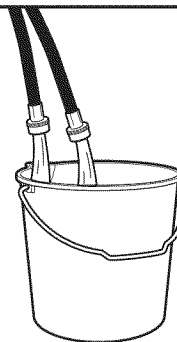


Fixer le tuyau au robinet d'eau chaude. Visser le raccord à la main pour qu'il repose sur la rondelle. Serrer les raccords de deux tiers de tour supplémentaires à l'aide d'une pince. Répéter cette étape avec le deuxième tuyau pour le robinet d'eau froide.

IMPORTANT : Ne pas serrer excessivement ni utiliser de ruban adhésif ou de dispositif d'étanchéité sur la valve lors de la fixation aux robinets ou à la laveuse. Cela pourrait entraîner des dommages.

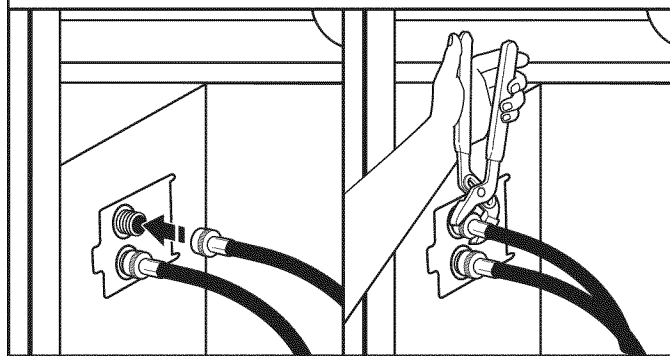
CONSEIL UTILE : Repérer quel tuyau est raccordé à l'eau chaude pour permettre une fixation correcte des tuyaux à la laveuse. Dans la plupart des configurations standard, les tuyaux se croisent lorsque fixés correctement.

3. Purger les canalisations d'eau



Faire couler l'eau par les tuyaux dans l'évier de buanderie, le tuyau de rejet à l'égout ou le seau pendant quelques secondes pour éviter toute obstruction. On doit laisser couler l'eau jusqu'à ce qu'elle soit limpide.

4. Raccorder les tuyaux d'arrivée d'eau à la laveuse



Fixer le tuyau d'eau chaude à la valve d'arrivée d'eau en bas. Visser le raccord à la main jusqu'à ce qu'il soit bien serré. Serrer les raccords de deux tiers de tour supplémentaires à l'aide d'une pince. Répéter pour le robinet d'arrivée d'eau froide (robinet supérieur).

IMPORTANT : Pour réduire le risque de défaillance des tuyaux, remplacer les tuyaux tous les 5 ans. Inscrire la date d'installation ou de remplacement des tuyaux pour référence ultérieure.

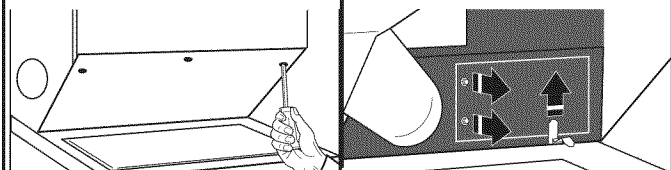
- Inspecter périodiquement les tuyaux et les remplacer en cas de renflement, de déformation, de coupure, d'usure ou si une fuite se manifeste.

Raccordement du conduit d'évacuation

5. Placer la laveuse/sécheuse à sa position finale

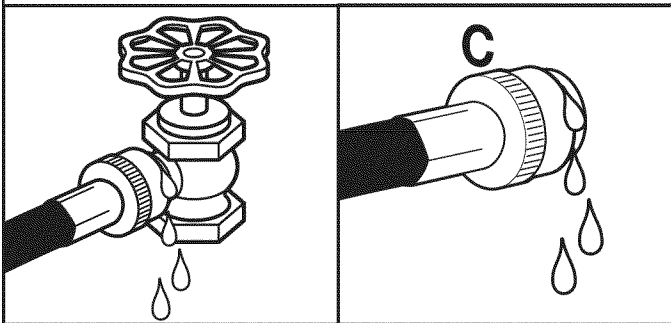
Panneau d'accès extérieur
(modèle de 27" illustré)

Panneau d'accès intérieur
(modèles de 27" seulement)



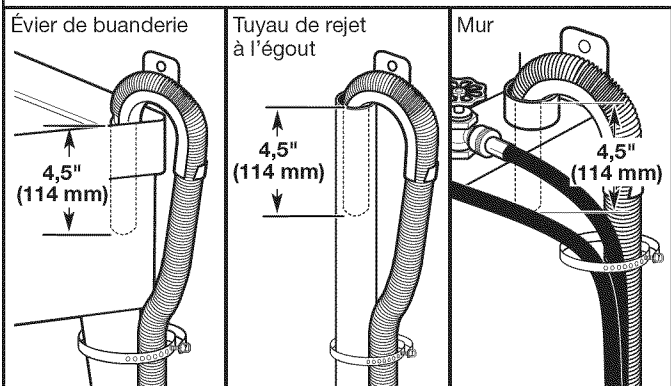
Pour un placard ou un endroit exigu : placer la laveuse/sécheuse à sa position finale et enlever le carton du dessous de la laveuse/sécheuse. Ôter le panneau d'accès extérieur en enlevant 2 (modèles de 24") ou 3 (modèles de 27") vis Phillips et un tampon (modèles de 27" seulement), situés sur le dessus du panneau d'accès. Ôter le panneau d'accès intérieur (modèles de 27" seulement) en enlevant le clip, le couvercle et les 2 vis. Mettre les panneaux, les vis, le clip, le couvercle du panneau d'accès intérieur et le tampon de côté. Terminer l'installation des tuyaux d'eau et du conduit d'évacuation. Replacer les panneaux d'accès après installation complète de la laveuse/sécheuse.

6. Rechercher les fuites éventuelles



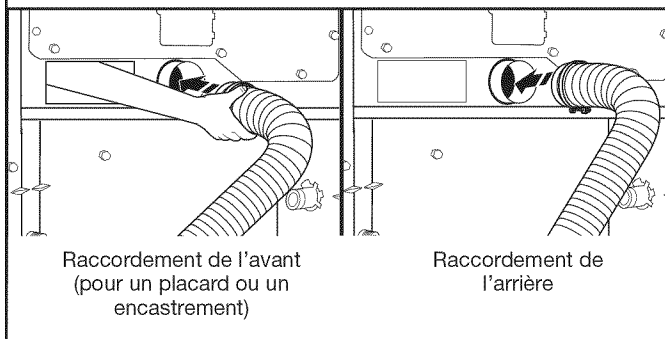
Ouvrir les robinets d'eau pour vérifier qu'il n'y a pas de fuite. Une petite quantité d'eau peut entrer dans la laveuse. Elle s'évacuera plus tard.

7. Immobiliser le tuyau de vidange



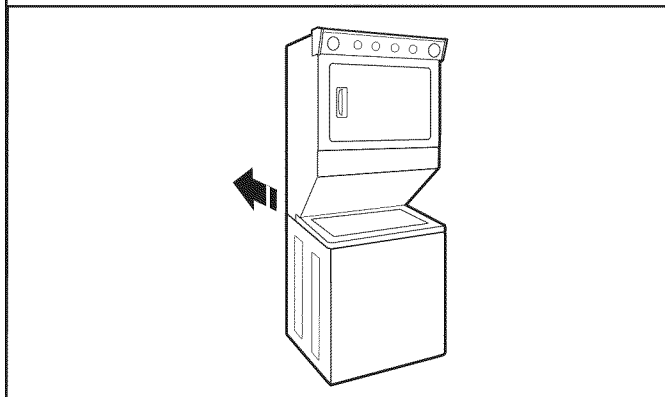
Fixer le tuyau de vidange au pied de l'évier de buanderie, au tuyau de rejet à l'égout ou aux tuyaux d'arrivée d'eau pour le tuyau de rejet à l'égout mural avec la sangle d'expédition retirée précédemment (modèles de 27") ou la sangle en plastique incluse en le sachet de pièces (modèles de 24").

1. Raccorder le conduit d'évacuation à la bouche d'évacuation (modèle de 27" illustré)



À l'aide d'une bride de serrage de 4" (102 mm), relier le conduit d'évacuation à la bouche d'évacuation de la sécheuse. Si on utilise le conduit d'évacuation existant, s'assurer qu'il est propre. Le conduit d'évacuation de la sécheuse doit être fixé par-dessus la bouche d'évacuation et à l'intérieur du clapet d'évacuation. Vérifier que le conduit d'évacuation est fixé au clapet d'évacuation à l'aide d'une bride de serrage de 4" (102 mm).

2. Déplacer la laveuse/sécheuse à son emplacement final



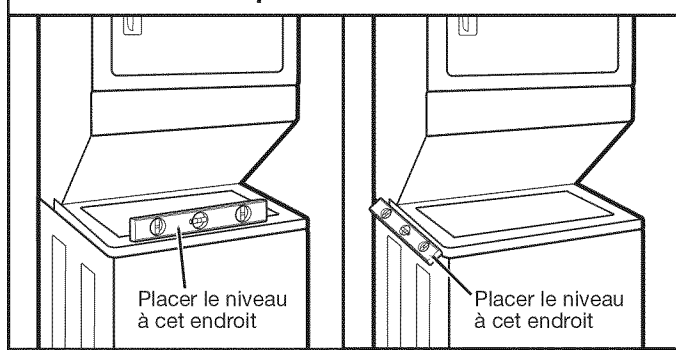
Déplacer la laveuse/sécheuse à son emplacement final, en faisant attention à ne pas déformer ou écraser le conduit d'évacuation.

Une fois que la laveuse/sécheuse est à son emplacement définitif, ôter les cornières et le carton du dessous de la laveuse/sécheuse.

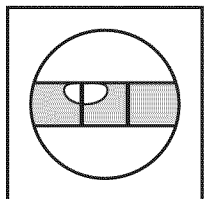
Établissement de l'aplomb de la laveuse/sécheuse

IMPORTANT : L'établissement correct de l'aplomb de la laveuse/sécheuse permet de réduire les nuisances sonores et de limiter les vibrations.

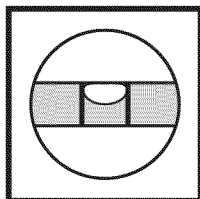
1. Contrôler l'aplomb de la laveuse/sécheuse



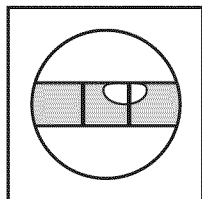
Une fois la laveuse/sécheuse est à son emplacement final, placer un niveau sur les bords supérieurs de la laveuse/sécheuse. Utiliser une rive latérale comme guide pour déterminer l'aplomb des côtés. Vérifier l'aplomb de l'avant à l'aide du couvercle, tel qu'indiqué. Faire bouger la laveuse/sécheuse d'avant en arrière pour s'assurer que les quatre pieds sont bien en contact avec le plancher. Si la laveuse/sécheuse est d'aplomb, passer à l'étape 3 (modèles de 27") ou l'étape 4 (modèles de 24").



Pas d'aplomb

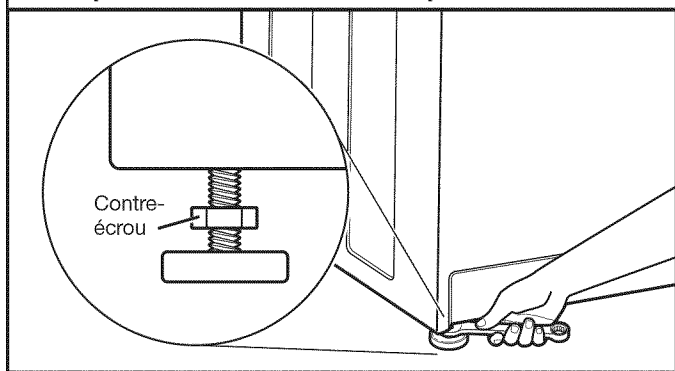


APLOMB



Pas d'aplomb

2. Ajuster les pieds de nivellement (modèle de 27" illustré)



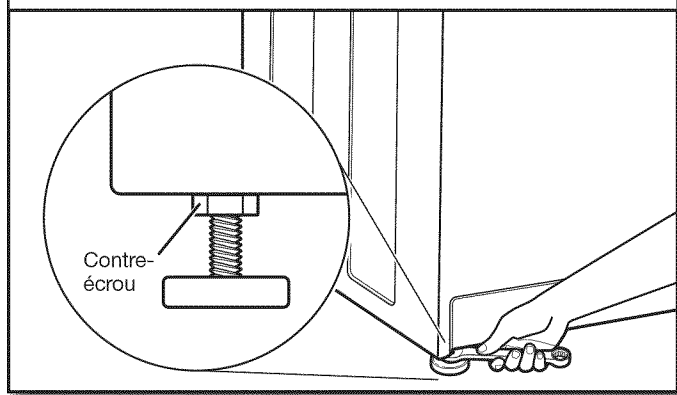
Si la laveuse/sécheuse n'est pas d'aplomb, soulever l'avant de la laveuse/sécheuse d'environ 4" (102 mm) à l'aide d'un cale en bois ou d'un objet similaire qui soutiendra le poids de la laveuse/sécheuse.

Sur les modèles de 27", utiliser une clé plate ou une clé à molette de 9/16" ou 14 mm pour tourner les contre-écrous dans le sens horaire jusqu'à ce qu'ils se trouvent à environ 1/2" (13 mm) de la caisse de la laveuse/sécheuse. Tourner ensuite le pied de nivellement dans le sens horaire pour abaisser la laveuse/sécheuse ou antihoraire pour la soulever.

Sur les modèles de 24", ajuster les pieds au besoin.

Sur tous les modèles, enlever le cale en bois et baisser la laveuse/sécheuse. Contrôler à nouveau l'aplomb de la laveuse/sécheuse et répéter au besoin.

3. Serrer les pieds de nivellement (modèles de 27")



Une fois l'aplomb de la laveuse/sécheuse établi, utiliser une clé plate ou une clé à molette de 9/16" ou 14 mm pour tourner les contre-écrous sur les pieds de nivellement dans le sens anti-horaire et les serrer fermement contre la caisse de la laveuse/sécheuse.

CONSEIL UTILE : Il serait judicieux d'étayer la laveuse/sécheuse à l'aide d'un cale en bois.

⚠ AVERTISSEMENT

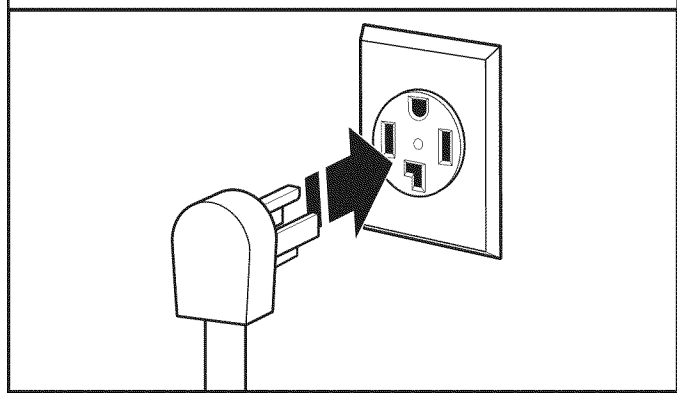


Risque de choc électrique

Brancher sur une prise à 4 alvéoles reliée à la terre.

Le non-respect de cette instruction peut causer un décès ou un choc électrique.

4. Brancher sur une prise à 4 alvéoles reliée à la terre



Liste de vérification pour l'achèvement de l'installation

- Vérifier que toutes les pièces sont maintenant installées. S'il reste une pièce, passer en revue les différentes étapes pour découvrir laquelle aurait été oubliée.
- Vérifier la présence de tous les outils.
- Jeter ou recycler tout le matériel d'emballage. Garder la mousse plastique pour utilisation ultérieure si la laveuse/sécheuse doit être déménagée.
- Vérifier l'emplacement définitif de la laveuse/sécheuse. S'assurer que le conduit d'évacuation n'est pas écrasé ou pincé.
- Vérifier que la laveuse/sécheuse est de niveau et que les pieds de nivellement avant sont serrés. Voir "Nivellement de la laveuse/sécheuse".
- Brancher sur une prise reliée à la terre (à quatre alvéoles). Mettre l'appareil sous tension.
- Vérifier que chaque robinet d'arrivée d'eau est ouvert.
- Vérifier s'il y a des fuites autour des robinets et des tuyaux d'arrivée d'eau.
- Retirer la pellicule de protection sur le panneau de commande et tout ruban adhésif qui reste sur la laveuse/sécheuse.
- Lire le Guide d'utilisation et d'entretien de la laveuse/sécheuse.
- Essuyer soigneusement l'intérieur du tambour de la sécheuse avec un chiffon humide pour éliminer toute trace de poussière.
- Pour tester le fonctionnement de la laveuse, verser la moitié de la quantité normale recommandée de détergent dans la laveuse. Rabattre le couvercle. Sélectionner HEAVY (Important) et tirer sur le bouton de commande des programmes. Laisser la laveuse exécuter le programme complet.
- Pour tester le fonctionnement de la sécheuse, la régler sur un programme de séchage complet (pas un programme de séchage à l'air) de 20 minutes et mettre la sécheuse en marche.
Si la sécheuse ne démarre pas, vérifier ce qui suit :
 - Les commandes sont réglées à la position de marche ou sur "ON".
 - Le bouton de mise en marche a été enfoncé fermement.
 - La laveuse/sécheuse est branchée sur une prise reliée à la terre.
 - L'alimentation électrique est connectée.
 - Les fusibles du domicile sont intacts et serrés, ou les disjoncteurs ne sont pas déclenchés.
 - La porte de la sécheuse est fermée.
- Après 5 minutes de fonctionnement, ouvrir la porte de la sécheuse et voir s'il y a de la chaleur.
Si aucune chaleur n'est perceptible, désactiver la sécheuse et vérifier ce qui suit :
 - Il peut y avoir 2 fusibles ou disjoncteurs pour la sécheuse. Vérifier que les deux fusibles sont intacts et serrés ou que les deux disjoncteurs ne sont pas déclenchés. S'il n'y a toujours pas de chaleur, contacter un technicien qualifié.

REMARQUE : Il est possible que la sécheuse dégage une odeur lors du chauffage initial. Cette odeur est normale lorsque l'élément chauffant est utilisé pour la première fois. L'odeur disparaîtra.

Notes

Seguridad de la lavadora/secadora

Su seguridad y la seguridad de los demás es muy importante.

Hemos incluido muchos mensajes importantes de seguridad en este manual y en su electrodoméstico. Lea y obedezca siempre todos los mensajes de seguridad.



Este es el símbolo de advertencia de seguridad.

Este símbolo le llama la atención sobre peligros potenciales que pueden ocasionar la muerte o una lesión a usted y a los demás.

Todos los mensajes de seguridad irán a continuación del símbolo de advertencia de seguridad y de la palabra "PELIGRO" o "ADVERTENCIA". Estas palabras significan:

 **PELIGRO**

Si no sigue las instrucciones de inmediato, usted puede morir o sufrir una lesión grave.

 **ADVERTENCIA**

Si no sigue las instrucciones, usted puede morir o sufrir una lesión grave.

Todos los mensajes de seguridad le dirán el peligro potencial, le dirán cómo reducir las posibilidades de sufrir una lesión y lo que puede suceder si no se siguen las instrucciones.



ADVERTENCIA - "Riesgo de incendio"

- La instalación de la secadora de ropa debe estar a cargo de un instalador competente.
- Instale la secadora de ropa según las instrucciones del fabricante y los códigos locales.
- No instale una secadora de ropa con materiales de ventilación de plástico flexible o un conducto de metal flexible (de hoja de metal). Si se usa un conducto de metal flexible, éste deberá ser de un tipo específico, que esté identificado por el fabricante de electrodomésticos como apto para ser usado con secadoras de ropa. Es sabido que los materiales de ventilación flexible se derrumban, se aplastan con facilidad y atrapan pelusa. Estas condiciones obstruirán el flujo de aire de la secadora de ropa y aumentarán el riesgo de incendio.
- Para reducir el riesgo de lesiones severas o la muerte, siga todas las instrucciones de instalación.
- Guarde estas instrucciones.

IMPORTANTE: Cuando descarte o guarde su vieja secadora de ropa, quítele la puerta.

INSTRUCCIONES IMPORTANTES DE SEGURIDAD

ADVERTENCIA: A fin de reducir el riesgo de incendio, descarga eléctrica o de daño a las personas que usen la lavadora/secadora, deben seguirse las precauciones básicas, incluidas las siguientes:

- Lea todas las instrucciones antes de usar la lavadora/secadora.
- No coloque los objetos expuestos a aceite para cocinar en su secadora. Los objetos expuestos a aceites para cocinar pueden contribuir a una reacción química que podría causar que la ropa se inflame.
- No lave o seque artículos que hayan sido previamente limpiados, lavados, remojados o humedecidos con gasolina, solventes de limpieza en seco, u otras sustancias inflamables o explosivas ya que éstas emanan vapores que podrían encenderse o causar una explosión.
- No agregue gasolina, solventes para lavar en seco, u otras sustancias inflamables o explosivas al agua de lavado. Estas sustancias emanan vapores que podrían encenderse o causar una explosión.
- No permita que los niños jueguen encima o dentro de la lavadora/secadora. Es necesario una supervisión cuidadosa de los niños cada vez que se use la lavadora/secadora cerca de ellos.
- Antes de poner la lavadora/secadora fuera de servicio o desecharla, quite las puertas a los compartimientos de la lavadora/secadora.
- No introduzca las manos en la lavadora/secadora cuando la tina, el agitador, o el tambor están movimiento.
- No instale o almacene esta lavadora/secadora donde esté expuesta al agua o a la intemperie.
- No trate de jugar con los controles.
- Limpie el filtro de pelusa antes o después de cada carga de ropa.
- En ciertas condiciones, puede generarse gas hidrógeno en un sistema de agua caliente que no se haya usado por dos semanas o un período mayor. EL GAS HIDRÓGENO ES EXPLOSIVO. Si no se ha usado el agua caliente durante dicho período, antes de usar la lavadora, abra todos los grifos de agua caliente y deje que corra el agua por varios minutos. Esto liberará todo el gas hidrógeno que se haya acumulado. Debido a la inflamabilidad de dicho gas, no fume ni use una llama abierta durante este lapso.
- No repare o reemplace ninguna pieza de la lavadora/secadora ni trate de repararla a menos que esto se recomiende específicamente en el Manual de Uso y Cuidado o en instrucciones de reparación publicadas para el usuario que usted comprenda y sólo si cuenta con la experiencia necesaria para llevar a cabo dicha reparación.
- No utilice suavizante de telas o productos para eliminar la estática de prendas a menos que lo recomiende el fabricante del suavizante de telas o del producto en uso.
- No utilice calor para secar prendas que contengan hule espuma o materiales con textura de hule similar.
- Mantenga el área alrededor de la abertura de ventilación y las áreas adyacentes a esta abertura sin pelusa, polvo o suciedad.
- La parte interior de la máquina y el ducto de escape se deben limpiar periódicamente. Esta limpieza la debe llevar a cabo un reparador calificado.
- Consulte la sección "Requisitos eléctricos" del folleto de Instrucciones de instalación para ver las instrucciones de conexión a tierra.

GUARDE ESTAS INSTRUCCIONES

Advertencias de la Proposición 65 del estado de California:

ADVERTENCIA: Este producto contiene una o más sustancias químicas identificadas por el estado de California como causantes de cáncer.

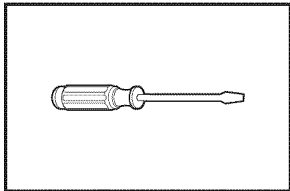
ADVERTENCIA: Este producto contiene una o más sustancias químicas identificadas por el estado de California como causantes de defectos congénitos o algún otro tipo de daños en la función reproductora.

Requisitos de instalación

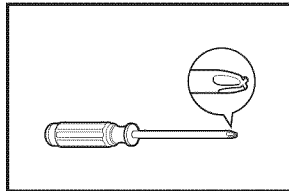
Herramientas y piezas

Reúna las herramientas y piezas necesarias antes de comenzar la instalación.

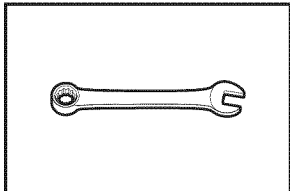
Herramientas necesarias:



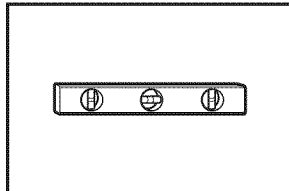
Destornillador de hoja plana



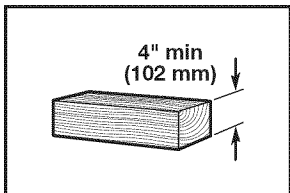
Destornillador Phillips #2



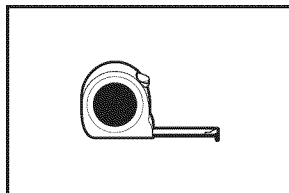
Llave ajustable o llaves de boca de 9/16" (14 mm)



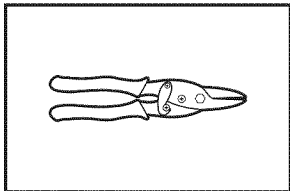
Nivel



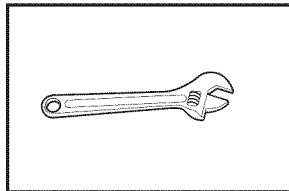
Bloque de madera



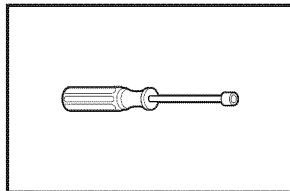
Regla o cinta para medir



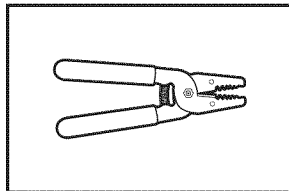
Tijeras de lata (instalaciones del nuevo ducto de escape)



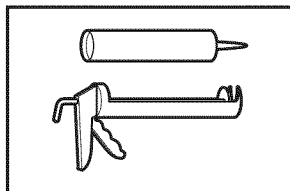
Llave ajustable que se abra a 1" (25 mm) o llave de cubo de cabeza hexagonal



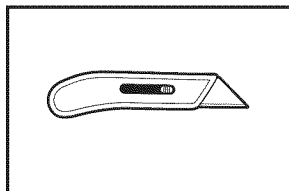
Llave de tuercas de 1/4" (6 mm) (recomendado)



Pelacables

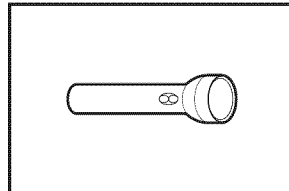


Pistola y masilla para calafateo (para instalar el nuevo ducto de escape)

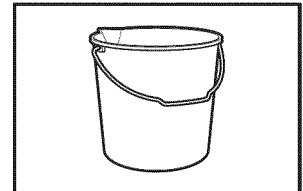


Cuchillo para uso general

Herramientas opcionales:



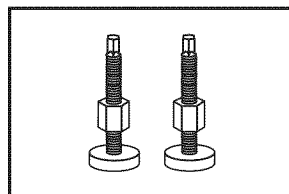
Linterna



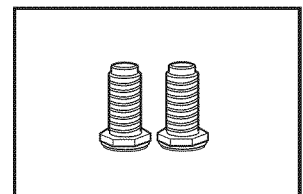
Cubeta

Piezas suministradas:

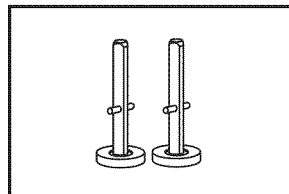
NOTA: Retire el paquete de piezas de la canasta de la lavadora. Verifique que estén todas las piezas.



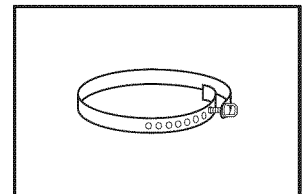
Patas niveladoras delanteras con tuercas (2) (modelos de 27")



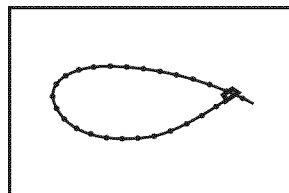
Patas niveladoras delanteras (2) (modelos de 24")



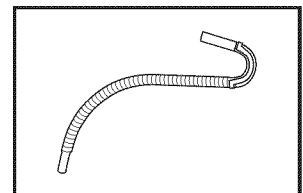
Patas niveladoras traseras (2) (modelos de 24")



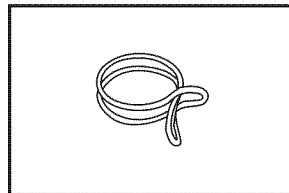
Fleje de embalaje (modelos de 27") (No incluido en la bolsa de piezas. Vea "Quite el fleje de embalaje".)



Fleje de plástico (modelos de 24")

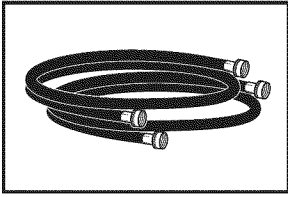


Manguera de desagüe



Abrazadera plateada de manguera, de doble hilo

Herramientas necesarias: (no están provistas con la lavadora/secadora)



- Abrazaderas para ducto
- Codos para los ductos y conductos metálicos

Mangueras de entrada con las arandelas planas

Verifique los códigos locales, el suministro eléctrico y la ventilación, y lea “Requisitos eléctricos” y “Requisitos de ventilación” antes de comprar las piezas. Las instalaciones en casas rodantes requieren piezas para ducto de escape de metal que están disponibles en la tienda al por menor donde usted compró su lavadora/secadora. Para obtener más información, consulte la sección “Ayuda o servicio técnico” del Manual de uso y cuidado de la lavadora/secadora.

Equipo opcional: (no están provistas con la lavadora/secadora)

Consulte su Manual de uso y cuidado para obtener información acerca de los accesorios disponibles para su lavadora/secadora.

Piezas adicionales: (no están provistas con la lavadora/secadora)

Su instalación puede requerir piezas adicionales. Para información sobre cómo pedir, sírvase referirse a los números gratuitos ubicados en la portada de sus Instrucciones para el usuario.

Si tiene:

Una alcantarilla suspendida

Sistema de desagüe por el piso

Tubo vertical de 1" (25 mm)

Tina de lavandería o tubo vertical de más de 96" (2,4 m) de altura

Una manguera de desagüe muy corta

Desagüe obstruido por pelusa

Grifos del agua fuera del alcance de las mangueras de llenado

Necesitará adquirir:

Tina de desagüe estándar de 20 gal. (76 L) 39" (991 mm) de altura o lavadero utilitario, bomba de sumidero y conectores (disponible en tiendas locales de artículos de plomería)

Desviación de sifón, pieza número 285320
Manguera de desagüe de extensión, pieza número 285702, y Juego de conectores, pieza número 285442

Adaptador de tubo vertical de 2" (51 mm) de diámetro a 1" (25 mm) de diámetro, pieza número 3363920
Juego de conectores, pieza número 285835

Sistema de bomba de sumidero (si no ya disponible)


Manguera de desagüe de extensión, pieza número 285863
Juego de conectores, pieza número 285835

Protector del desagüe, pieza número 367031
Juego de conectores, pieza número 285835

2 mangueras de llenado de agua más largas: de 6 pies (1,8 m), pieza número 76314, de 10 pies (3,0 m), pieza número 350008

Requisitos de ubicación

⚠ ADVERTENCIA



Peligro de Explosión

Mantenga los materiales y vapores inflamables, tales como la gasolina, alejados de la secadora.

No instale en un garage.

No seguir estas instrucciones puede ocasionar la muerte, explosión o incendio.

La selección de un lugar apropiado para su lavadora/secadora realza el rendimiento y reduce el ruido y la posible "caminata" de la lavadora. Su lavadora/secadora puede ser instalada en un sótano, lavandería, clóset, o un área empotrada.

Usted necesitará:

- Una ubicación que permita una instalación adecuada del ducto de escape. Vea "Requisitos de ventilación".
- Un circuito separado de 30 amperios.
- Si está usando un cable de suministro de energía, un contacto con conexión a tierra ubicado a unos 2 pies (610 mm) de cualquiera de los lados de la lavadora/secadora. Vea "Requisitos eléctricos".
- Un piso resistente y firme que soporte la lavadora/secadora con un peso total (de la lavadora/secadora, del agua y de la carga) de 500 libras (226,8 kg).
- Un piso nivelado con un declive máximo de 1" (25 mm) debajo de toda la lavadora/secadora. La ropa quizás no rote adecuadamente y los modelos con ciclos del sensor automático posiblemente no funcionen debidamente si la lavadora/secadora no está nivelada. No es recomendable instalar la lavadora/secadora sobre un tapete.
- Un calentador de agua fijado para suministrar el agua a la lavadora a una temperatura de 120°F (49°C).
- Grifos de agua caliente y de agua fría ubicados a una distancia de 4 pies (1,2 m) de las válvulas de llenado del agua caliente y agua fría y una presión de agua de 5–100 lb/pulg² (34,5–689,6 kPa).

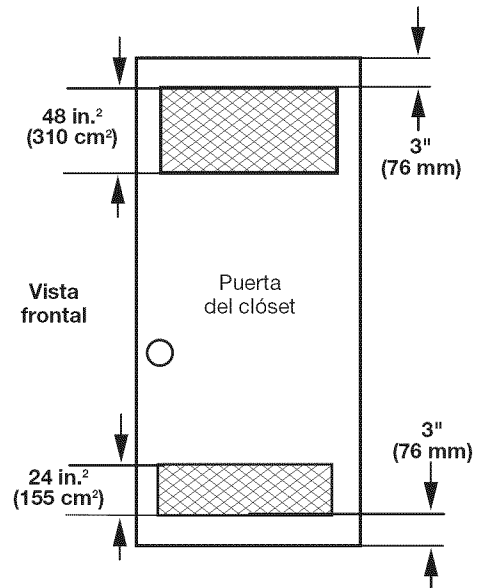
No debe instalarse ni guardarse la secadora en un área en donde pueda estar expuesta al agua y/o a la intemperie.

No guarde ni ponga a funcionar su lavadora a una temperatura igual o inferior a 32°F (0°C). Puede quedar un poco de agua en la lavadora y ésta puede ocasionar daños a bajas temperaturas. Vea "Cuidado de la lavadora/secadora" en el Manual de uso y cuidado de la lavadora/secadora para obtener información respecto al acondicionamiento de su lavadora/secadora para el invierno.

No ponga a funcionar su secadora a temperaturas inferiores a 45°F (7°C). A temperaturas inferiores, es posible que la secadora no se apague al final de un ciclo automático. Los tiempos de secado pueden prolongarse.

Verifique los requisitos de los códigos. Algunos códigos limitan, o no permiten, la instalación de la lavadora/secadora en garajes, clósets, casas rodantes o en dormitorios. Póngase en contacto con el inspector de construcciones de su localidad.

Instrucciones para la instalación empotrada o en clóset



Se recomiendan las medidas de espacio se muestra arriba para esta lavadora/secadora. Esta lavadora/secadora ha sido puesta a prueba para espacios de 0" (0 mm) en los costados. El espacio recomendado debe ser considerado por los siguientes motivos:

- Debe considerarse espacio adicional para facilitar la instalación y el servicio técnico.
- Se podrían necesitar espacios libres adicionales para las molduras de la pared, de la puerta y del piso.
- Se debe considerar agregar espacio adicional en todos los lados de la lavadora/secadora para reducir la transferencia de ruido.
- Para la instalación en clóset, con una puerta, se requieren aberturas de ventilación mínimas en la parte superior e inferior de la puerta. Se aceptan puertas tipo persianas con aberturas de ventilación equivalentes.

Requisitos de instalación adicionales para las casas rodantes

Esta lavadora/secadora es apropiada para instalaciones en casas rodantes. La instalación debe ajustarse al Estándar de seguridad y construcción de casas fabricadas, Título 24 CFR, Parte 3280 (anteriormente conocido como Estándar federal para la seguridad y construcción de casas rodantes, Título 24, HUD Parte 280).

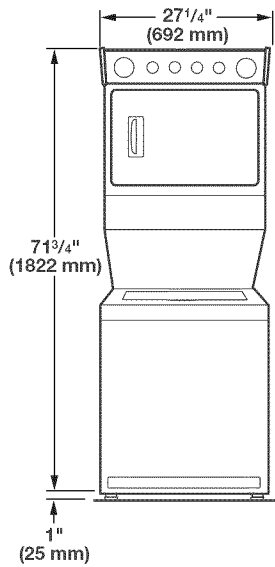
Las instalaciones en casas rodantes necesitan:

- Herramientas del sistema de escape de metal, que se encuentran disponibles para ser compradas en su distribuidor.
- Se deben tomar medidas especiales en el caso de casas rodantes para introducir el aire del exterior en la secadora. La abertura (como la de una ventana adyacente) deberá ser por lo menos el doble de tamaño que la abertura de ventilación de la secadora.

Dimensiones y espacios libres, modelos de 27"

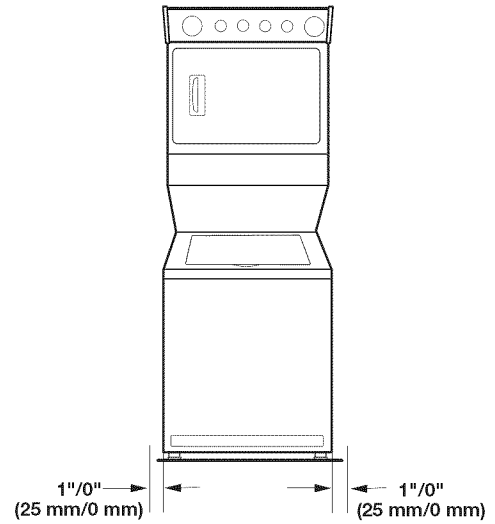
Dimensiones

Vista frontal

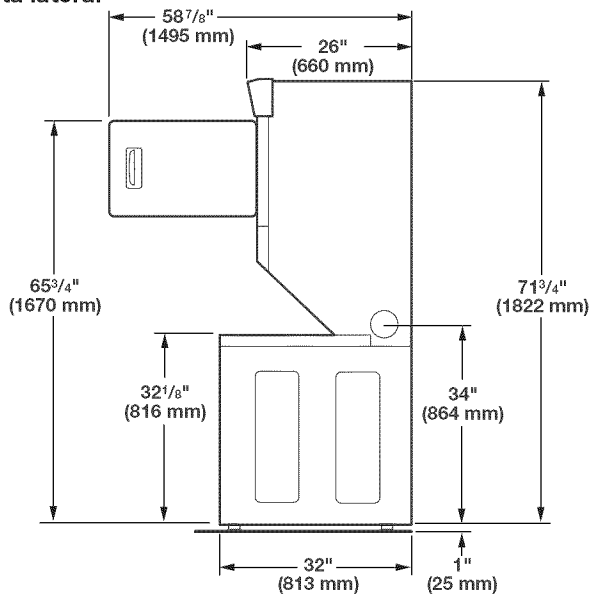


Espacios libres

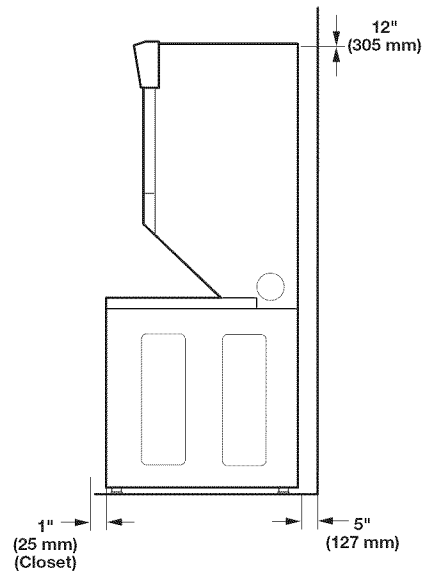
Espacios libres laterales (recomendado/mínimo)



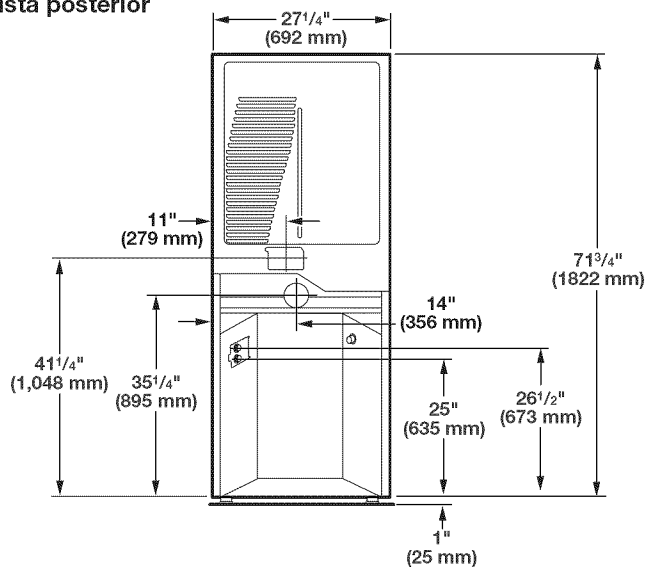
Vista lateral



Espacios libres en la parte frontal, posterior y superior



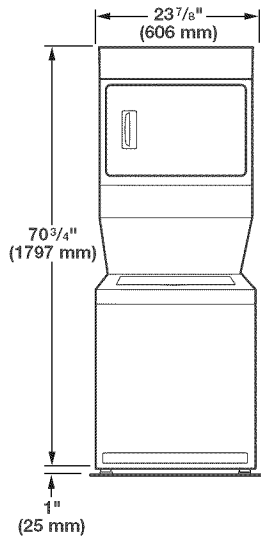
Vista posterior



Dimensiones y espacios libres, modelos de 24"

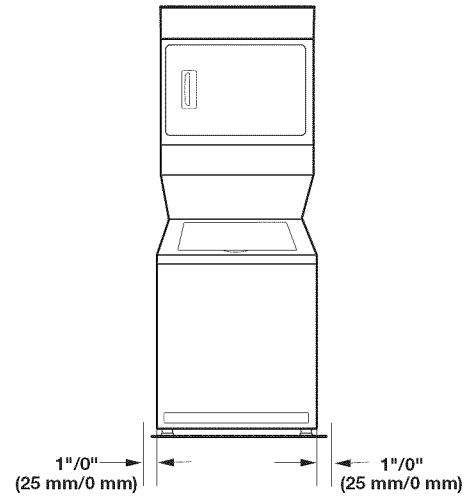
Dimensiones

Vista frontal

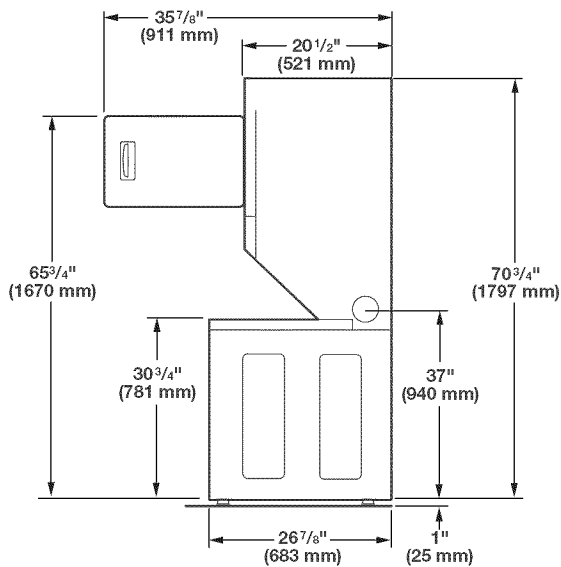


Espacios libres

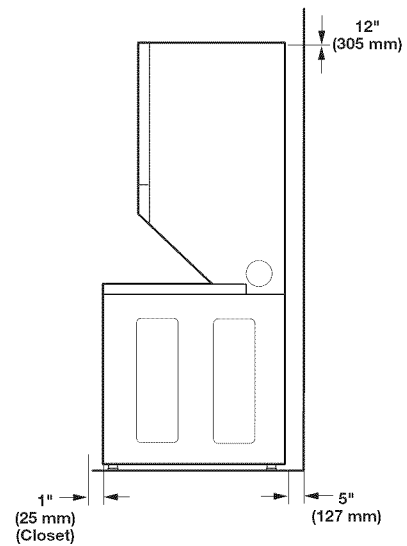
Espacios libres laterales (recomendado/mínimo)



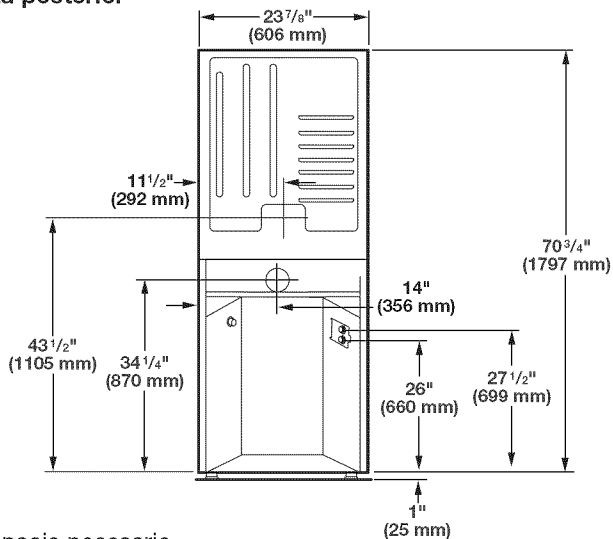
Vista lateral



Espacios libres en la parte frontal, posterior y superior



Vista posterior



*Espacio necesario

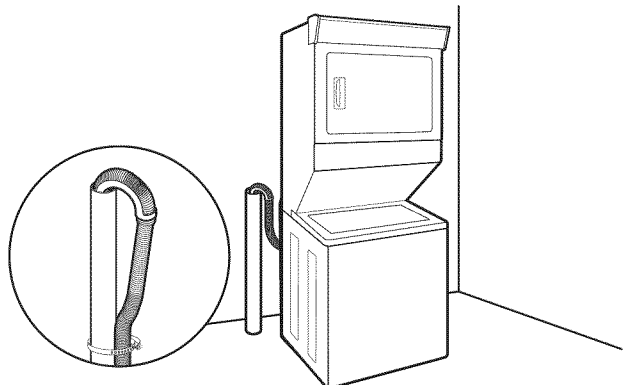
**Cuando el sistema de ventilación de la casa está alineado directamente con la ventilación de la secadora, el espacio de atrás puede ser de 0" (0 mm).

Sistema de desagüe

Se puede instalar el sistema de desagüe utilizando un desagüe por tubo vertical (en el piso o en la pared), un sistema de desagüe por el piso o el sistema de desagüe por la tina de lavadero. Seleccione el método que necesita.

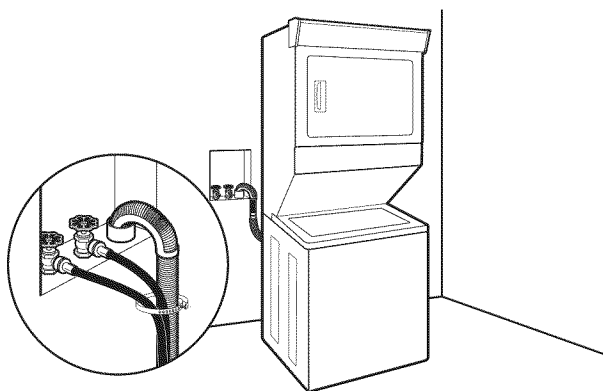
Sistema de desagüe por tubo vertical de piso

El desagüe por tubo vertical necesita un tubo vertical con un diámetro mínimo de 2" (51 mm). La capacidad mínima de desagüe no puede ser menor de 17 gal (64 L) por minuto. La parte superior del tubo vertical debe tener una altura mínima de 39" (991 mm) y máxima de 96" (2,4 m) desde la parte inferior de la lavadora/secadora. Si debe instalar a más de 96" (2,4 m), necesitará un sistema de bomba de sumidero.



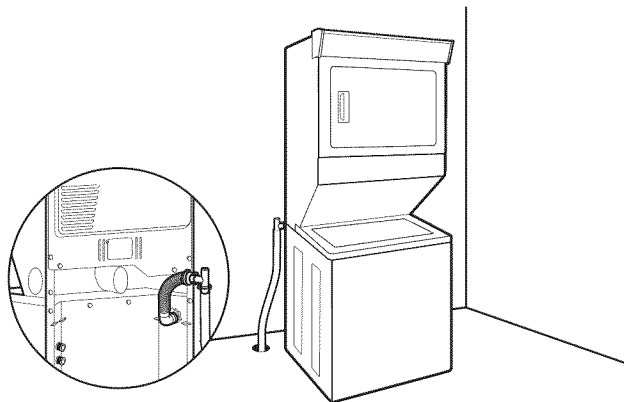
Sistema de desagüe por tubo vertical de pared

Vea los requisitos para el sistema de desagüe por tubo vertical de piso.



Sistema de desagüe por el piso

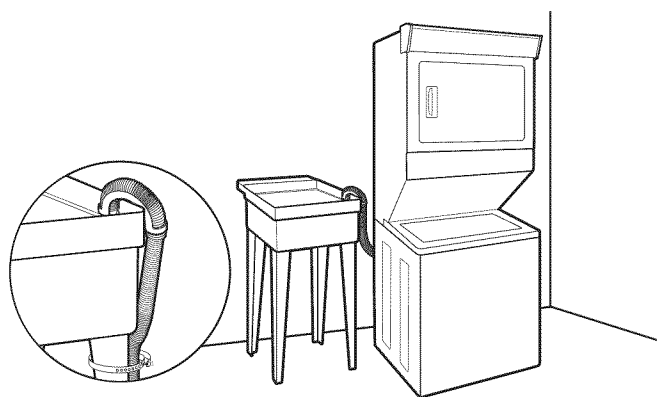
Un sistema de desagüe por el piso requiere de un juego de desviación de sifón (pieza número 285834), 2 juegos de conectores (pieza número 285385) y una manguera de desagüe de extensión (pieza número 285863), la cual puede comprarse por separado. Para ordenar, sírvase consultar los números gratuitos en el Manual de uso y cuidado. Desviación de sifón mínima: 28" (710 mm) de la base de la lavadora/secadora. (Se pueden necesitar mangueras adicionales.)



Sistema de desagüe de tina de lavadero

La tina de lavadero necesita una capacidad mínima de 20 gal. (76 L). La parte superior de la tina de lavadero debe estar a una altura mínima de 39" (991 mm) del piso (modelos de 27") o una altura mínima de 34" (864 mm) (modelos de 24"); instálela a no más de 96" (2,4 m) de la base de la lavadora/secadora.

IMPORTANTE: Para evitar el efecto de sifón, no debe haber más de 4,5" (114 mm) de manguera de desagüe dentro del tubo vertical o debajo de la parte superior de la tina de lavado. Asegure la manguera de desagüe con un fleje de embalaje o un fleje de plástico.



Requisitos eléctricos

⚠ ADVERTENCIA



Peligro de Choque Eléctrico

Conecte a un contacto de pared de conexión a tierra de 3 terminales.

No quite la terminal de conexión a tierra.

No use un adaptador.

No use un cable eléctrico de extensión.

No seguir estas instrucciones puede ocasionar la muerte, incendio o choque eléctrico.

- Asimismo se recomienda usar un cortacircuitos independiente que preste servicio únicamente a este aparato.
- Para reducir la posibilidad de choques eléctricos, el cable de alimentación debe enchufarse a un tomacorriente de pared equivalente de 3 o 4 vías con conexión a tierra, de acuerdo con todos los códigos y reglamentos locales. Si no se dispone de un tomacorriente equivalente, es la responsabilidad y obligación personal del usuario ordenar a un electricista calificado la instalación de un tomacorriente apropiado, conectado a tierra.
- Si está permitido en los códigos y se utiliza un alambre a tierra separado, es recomendable que un electricista calificado determine cuál es la ruta adecuada a tierra.
- Si no está seguro que su lavadora está conectada a tierra correctamente, haga que un electricista calificado lo compruebe.
- No instale un fusible en el circuito neutral o de tierra.

Usted es responsable de:

- Ponerse en contacto con un instalador eléctrico calificado.
 - Asegurarse de que la conexión eléctrica sea adecuada y de conformidad con el Código Nacional Eléctrico, ANSI/NFPA 70 – última edición y con todos los códigos y ordenanzas locales.
- Usted puede obtener una copia de las normas de los códigos arriba indicadas en: National Fire Protection Association, One Batterymarch Park, Quincy, MA 02269.
- Proveer el suministro eléctrico requerido de 3 ó 4 hilos, monofásico, de 120/240 voltios, 60 Hz, CA solamente (o un suministro eléctrico de 3 ó 4 hilos, de 120/208 voltios, si se especifica en la placa indicadora de clasificación/de la serie) en un circuito separado de 30 amperios, protegido con fusibles en ambos lados de la línea. Se recomienda un fusible retardador o un cortacircuitos. Conéctelo a un circuito derivado individual.
 - No use un cable eléctrico de extensión.

Conexión eléctrica

Para instalar su secadora adecuadamente, usted debe determinar el tipo de conexión eléctrica que va a usar y seguir las instrucciones que aquí se proveen para el caso.

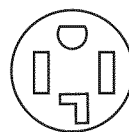
- Esta lavadora/secadora ha sido manufacturada lista para ser instalada en una conexión de suministro de energía eléctrica de 3 hilos. El conductor de puesta a tierra neutro está permanentemente conectado al conductor neutral (cable blanco), dentro de la secadora. Si la secadora está instalada con una conexión de suministro eléctrico de 4 hilos, el conductor neutro de puesta a tierra se debe quitar del conector de puesta a tierra exterior (tornillo verde) y se debe ajustar debajo de la terminal neutra (cable central o blanco) del bloque de terminal. Cuando el conductor neutro de puesta a tierra esté ajustado debajo de la terminal neutra (cable central o blanco) del bloque de terminal, la carcasa de la secadora queda aislada del conductor neutral.
- Si los códigos locales no permiten la conexión de un conductor neutro conectado a tierra al hilo neutro, vea la sección "Conexión opcional de 3 hilos" en la sección "Conexión eléctrica".
- Deberá usarse una conexión con suministro de energía de 4 hilos cuando el aparato esté instalado en una ubicación en la cual esté prohibida la conexión a tierra a través del conductor neutro. Está prohibido hacer la puesta a tierra a través del conductor neutro para (1) las nuevas instalaciones de circuito derivado, (2) casas rodantes, (3) vehículos de recreación y (4) áreas donde los códigos locales prohíben la conexión a tierra a través del conductor neutro.

Si emplea un cable de suministro eléctrico:

Use un juego de cable de suministro de energía que esté en la lista de UL, para ser usado con secadoras de ropa. El juego deberá incluir:

- Un cable de suministro de energía de 30 amperios que esté en la lista de UL, de 120/240 voltios como mínimo. El cable deberá ser del tipo SRD o SRDT y tener por lo menos 4 pies (1,22 m) de largo. Los hilos que lo conectan a la secadora deben acabar en terminales de anillo o de horquilla en forma de "U" con los extremos hacia arriba.
- Un protector de cables que esté en la lista de UL.

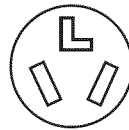
Si el contacto de pared luce como éste:



Contacto de 4 hilos (14-30R)

Entonces elija un cable de suministro eléctrico de 4 hilos con terminales de anillo o de horquilla y con protector de cables que esté en la lista de UL. El cordón de suministro de corriente de 4 hilos, de por lo menos 4 pies (1,22 m) de largo, debe tener 4 hilos de cobre sólido de calibre 10 y encajar en un tomacorriente para 4 hilos de NEMA Tipo 14-30R. El hilo de puesta a tierra (conductor de puesta a tierra) debe ser verde o desnudo. El conductor neutral debe ser identificado con una cubierta blanca.

Si el contacto de pared luce como éste:



Contacto de 3 hilos (10-30R)

Entonces elija un cable de suministro eléctrico de 3 hilos con terminales de anillo o de horquilla y con protector de cables que esté en la lista de UL. El cable de suministro de corriente de 3 hilos, de por lo menos 4 pies (1,22 m) de largo, debe tener 3 hilos de cobre sólido de calibre 10 y encajar en un tomacorriente para 3 hilos de NEMA Tipo 10-30R.

Si hace la conexión con cableado directo:

El cable de suministro eléctrico debe ser igual al suministro eléctrico (de 4 hilos o de 3 hilos) y debe ser:

- Cable blindado flexible o cable de cobre forrado no metálico (con hilo de puesta a tierra), cubierto con un conducto metálico flexible. Todos los hilos conductores de corriente deben estar aislados.
- Hilo de cobre sólido de calibre 10 (no utilice aluminio).
- Tener por lo menos 5 pies (1,52 m) de longitud.

INSTRUCCIONES PARA LA CONEXIÓN A TIERRA

Para una lavadora conectada a tierra con cable eléctrico:

Esta lavadora debe conectarse a tierra. En caso de funcionamiento defectuoso o avería, la conexión a tierra reducirá el riesgo de choque eléctrico al proporcionar una vía de menor resistencia para la corriente eléctrica. Esta lavadora viene equipada con un cable eléctrico que tiene un conductor de conexión a tierra del equipo y un enchufe con conexión a tierra. El enchufe debe conectarse en un contacto de pared apropiado que haya sido debidamente instalado y conectado a tierra de conformidad con todos los códigos y ordenanzas locales.

ADVERTENCIA: La conexión incorrecta de la terminal de conexión a tierra del equipo puede ocasionar un riesgo de choque eléctrico. Consulte con un electricista o técnico en reparaciones calificado si tiene duda alguna en cuanto a la conexión a tierra correcta del electrodoméstico.

No modifique el enchufe provisto con el electrodoméstico. Si éste no encaja en el contacto de pared, pida a un electricista calificado que le instale un contacto de pared apropiado.

Para una lavadora con contacto eléctrico permanente:

Esta lavadora debe estar conectada a un sistema de cableado de metal permanente, conectado a tierra, o se debe tender un conducto para la conexión a tierra del equipo con los conductores de circuito y conectado a la terminal de tierra del equipo o al conductor de suministro del electrodoméstico.

INSTRUCCIONES PARA LA CONEXIÓN A TIERRA

■ Para la conexión de una secadora mediante cable eléctrico conectado a tierra:

Esta secadora debe estar conectada a tierra. En el caso de funcionamiento defectuoso o avería, la conexión a tierra reducirá el riesgo de choque eléctrico al proporcionar una vía de menor resistencia para la corriente eléctrica. Esta secadora usa un cable que cuenta con un conductor para la conexión a tierra del equipo y un enchufe de conexión a tierra. El enchufe debe conectarse en un contacto apropiado, que esté debidamente instalado y conectado a tierra de acuerdo con todos los códigos y ordenanzas locales.

■ Para la conexión permanente de una secadora:

Esta secadora debe estar conectada a un sistema de cableado de metal permanente, conectado a tierra, o se debe tender un conducto para la conexión a tierra del equipo con los conductores de circuito y conectado al terminal de tierra del equipo o al conductor de suministro de la secadora.

ADVERTENCIA: La conexión indebida del conductor para la conexión a tierra del equipo puede ocasionar un riesgo de choque eléctrico. Verifique con un electricista, representante o personal de servicio técnico calificado para asegurarse de que la conexión a tierra de la secadora sea apropiada. No modifique el enchufe que viene con el cable eléctrico. Si no encaja en el contacto, contrate un electricista calificado para que instale un contacto adecuado.

GUARDE ESTAS INSTRUCCIONES

Quite el fleje de embalaje (modelos de 27")

⚠ ADVERTENCIA

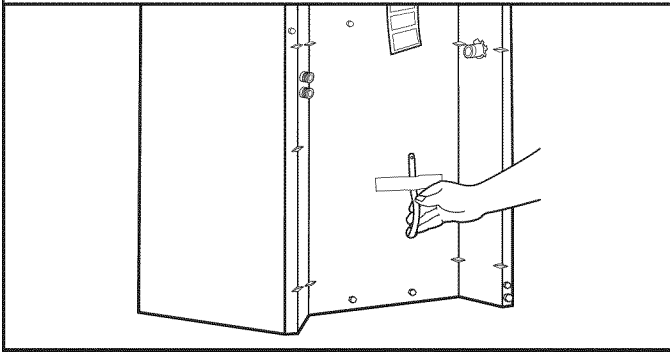
Peligro de Peso Excesivo

Use dos o más personas para mover e instalar la lavadora/secadora.

No seguir esta instrucción puede ocasionar una lesión en la espalda u otro tipo de lesiones.

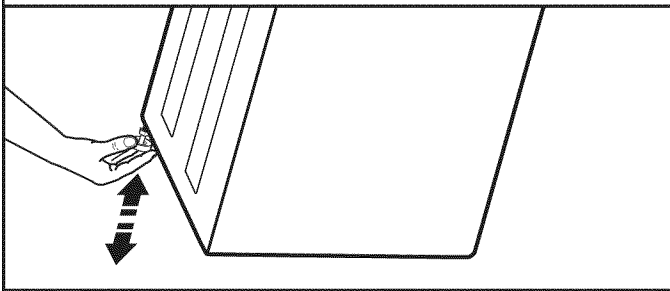
Para evitar daños al piso, coloque la lavadora/secadora sobre un cartón antes de moverla por el piso. Traslade la lavadora/secadora cerca de su ubicación final.

1. Quite el fleje, la etiqueta y la clavija



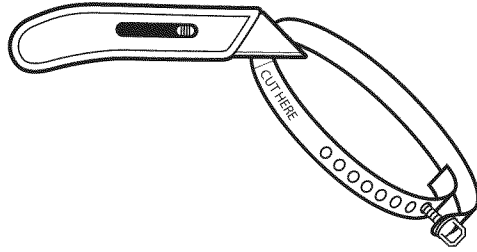
No corte el fleje amarillo. Jale firmemente el fleje amarillo hasta quitarlo completamente de la lavadora/secadora. Debe haber 2 clavijas hendidas en el extremo del fleje de embalaje. Quite la etiqueta y la clavija del tubo de ventilación.

2. Revise las patas niveladoras posteriores



Incline hacia delante la lavadora/secadora. Mueva cada una de las 2 patas traseras de arriba hacia abajo para verificar que las patas niveladoras autoajustables se muevan libremente. Se requiere este procedimiento para una nivelación adecuada. Baje la lavadora/secadora con cuidado hasta el piso.

3. Corte el fleje de embalaje



Corte el fleje de embalaje a unas 16" (406 mm) del extremo del contacto. Busque las palabras "CUT HERE" (Corte aquí). Deshágase del extremo con las clavijas hendidas. La pieza restante del fleje de embalaje se usará para asegurar la manguera de desagüe.

Instalación de las patas niveladoras – (modelos de 27")

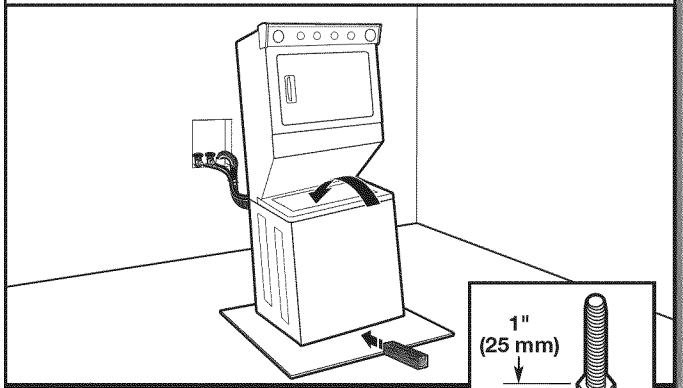
⚠ ADVERTENCIA

Peligro de Peso Excesivo

Use dos o más personas para mover e instalar la lavadora/secadora.

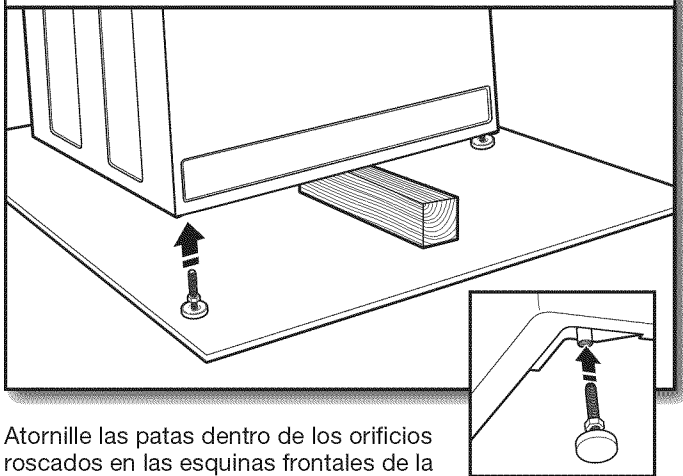
No seguir esta instrucción puede ocasionar una lesión en la espalda u otro tipo de lesiones.

1. Prepárese para instalar las patas niveladoras



Apuntale el frente de la lavadora/secadora aproximadamente 4" (102 mm) con un bloque de madera o un objeto similar que vaya a soportar el peso de la lavadora/secadora. Luego atornille la tuerca de sujeción dentro de cada pata hasta no más de 1" (25 mm) de la base de la pata.

2. Instale las patas niveladoras delanteras



Atornille las patas dentro de los orificios roscados en las esquinas frontales de la lavadora/secadora hasta que las tuercas de sujeción toquen la lavadora.

NOTA: No apriete las tuercas hasta que la lavadora/secadora esté nivelada.

Incline hacia delante la lavadora/secadora y retire el bloque de madera. Baje la lavadora/secadora con cuidado hasta el piso.

Instalación de las patas niveladoras – (modelos de 24")

⚠ ADVERTENCIA

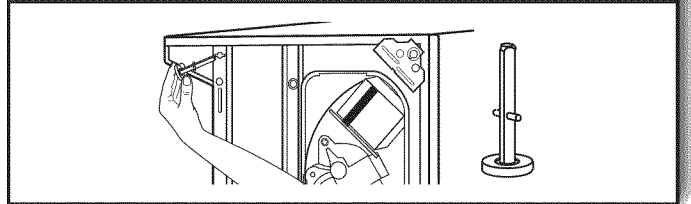
Peligro de Peso Excesivo

Use dos o más personas para mover e instalar la lavadora/secadora.

No seguir esta instrucción puede ocasionar una lesión en la espalda u otro tipo de lesiones.

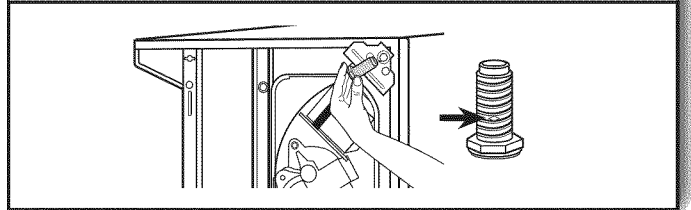
Para evitar daños al piso, use un pedazo de cartón grande de la caja de transporte. Coloque el centro de lavandería de costado, con cuidado, sobre el cartón.

1. Instale las patas niveladoras traseras



Empuje las patas dentro de los orificios en las esquinas traseras hasta que encajen en su lugar. Revise la ajustabilidad de las patas traseras empujando una de las patas. La otra pata debería salir. Revise ambas patas. Si no se mueven libremente, repita el proceso.

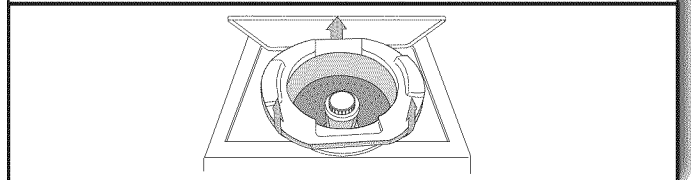
2. Instale las patas niveladoras delanteras



Examine las patas niveladoras delanteras. Localice la marca en forma de diamante. Atornille las patas delanteras a mano dentro de los orificios de los puntales triangulares en las esquinas frontales. Use una llave de tuercas para terminar de atornillar las patas hasta que la marca en forma de diamante no quede visible. Ponga con cuidado el centro de lavandería en la posición vertical.

Para quitar el embalaje de hule espuma (modelos de 24")

1. Retire el anillo de embalaje de hule espuma fuera de la lavadora



Abra la tapa de la lavadora. El seguro debajo de la secadora mantendrá la tapa abierta. Retire el anillo de embalaje de hule espuma fuera de la lavadora. **NOTA:** Conserve el anillo de hule espuma y úselo durante el transporte de su centro de lavandería. Este material de embalaje se usa para estabilizar la lavadora durante el transporte.

Conexión eléctrica, modelos de 27"

Cable de suministro de energía

⚠ ADVERTENCIA



Peligro de Incendio

Use un cable de suministro eléctrico nuevo de 30 amperes que esté en la lista de UL.

Use un protector de cables que esté en la lista de UL.

Desconecte el suministro eléctrico antes de hacer las conexiones eléctricas.

Conecte el alambre neutro (el blanco o el del centro) al terminal central.

El alambre de tierra (el verde o el no aislado) se debe conectar con el conector verde de tierra.

Conecte los 2 alambres de suministro restantes con las 2 terminales restantes (las doradas).

Apriete firmemente todas las conexiones eléctricas.

No seguir estas instrucciones puede ocasionar la muerte, incendio, o choque eléctrico.

Cable directo

⚠ ADVERTENCIA



Peligro de Incendio

Utilice alambres de cobre sólido de ancho 10.

Use un protector de cables que esté en la lista de UL.

Desconecte el suministro eléctrico antes de hacer las conexiones eléctricas.

Conecte el alambre neutro (el blanco o el del centro) al terminal central.

El alambre de tierra (el verde o el no aislado) se debe conectar con el conector verde de tierra.

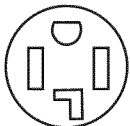
Conecte los 2 alambres de suministro restantes con las 2 terminales restantes (las doradas).

Apriete firmemente todas las conexiones eléctricas.

No seguir estas instrucciones puede causar la muerte, incendio o choque eléctrico.

Opciones de conexión

1. Seleccione el tipo de conexión eléctrica



Contacto de 4 hilos (tipo NEMA 14-30R): Vaya a la sección "Conexión por cable de suministro eléctrico de 4 hilos". Después vaya a "Requisitos de ventilación".



Contacto de 3 hilos (tipo NEMA 10-30R): Vaya a la sección "Conexión por cable de suministro eléctrico de 3 hilos". Después vaya a "Requisitos de ventilación".



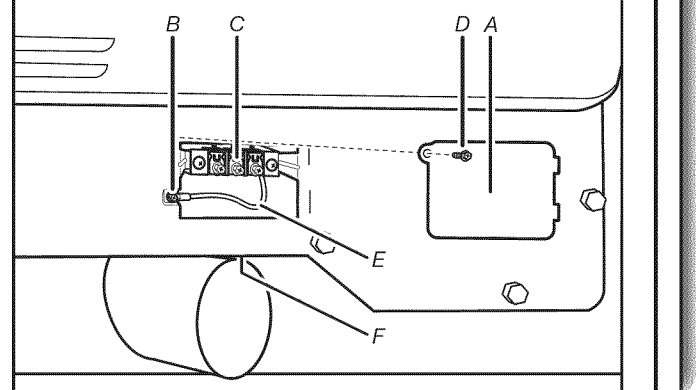
Cable directo de 4 hilos: Vaya a la sección "Conexión por cable directo de 4 hilos". Después vaya a "Requisitos de ventilación".



Cable directo de 3 hilos: Vaya a la sección "Conexión por cable directo de 3 hilos". Después vaya a "Requisitos de ventilación".

NOTA: Si los códigos locales no permiten la conexión de un conductor para conexión a tierra de la carcasa al alambre neutro, prosiga a la sección "Conexión opcional de 3 hilos". Esta conexión se puede utilizar con un cable de suministro de energía o un cable directo.

2. Quite la tapa del bloque de terminal



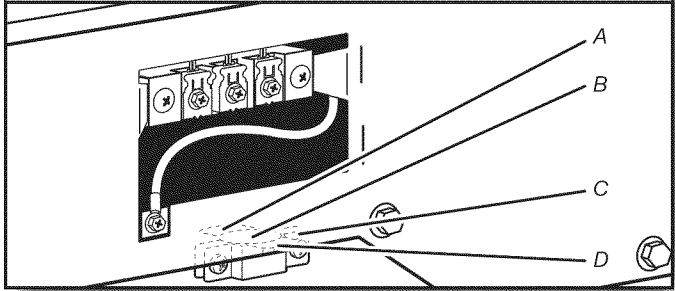
Desconecte el suministro de energía antes de comenzar. Quite el tornillo de sujeción (D) y la tapa del bloque de terminal (A).

- A. Tapa del bloque de terminal
- B. Tornillo conductor a tierra externo
- C. Tornillo central del bloque de terminal
- D. Tornillo de sujeción
- E. Alambre de conexión a tierra neutro
- F. Orificio debajo de la abertura del bloque de terminal

Conexión de cable de suministro de energía

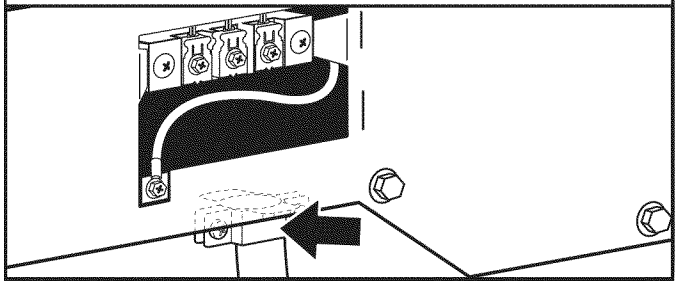
Protector de cables del cable de suministro de energía

1. Sujete el protector de cables del cable de suministro de energía



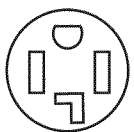
Quite los tornillos de un protector de cables de 3/4" (19 mm) que esté en la lista de UL (con la marca UL en el protector de cables). Coloque las lengüetas de las dos secciones de la abrazadera (C) en el orificio que está debajo de la abertura del bloque de terminal (B) de manera que una lengüeta esté apuntando hacia arriba (A) y la otra esté apuntando hacia abajo (D), y sujételas en su lugar. Apriete los tornillos del protector de cables sólo lo suficiente para mantener las dos secciones de la abrazadera (C) juntas.

2. Sujete el cable de suministro de energía al protector de cables



Haga pasar el cable de suministro de energía a través del protector de cables. Asegúrese de que el aislamiento de cables del cable de suministro de energía esté dentro del protector de cables. El protector de cables deberá encajar de manera ajustada con la carcasa de la secadora y estar en posición horizontal. No ajuste más los tornillos del protector de cables en este momento.

Si el contacto de pared luce como éste:



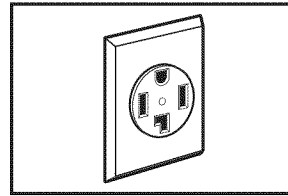
Contacto de 4 hilos (tipo NEMA 14-30R): Vaya a "Conexión por cable de suministro eléctrico de 4 hilos" en esta página.



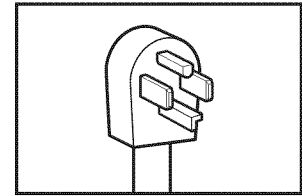
Contacto de 3 hilos (tipo NEMA 10-30R): Vaya a "Conexión del cable de suministro de energía de 3 hilos" en la página 68.

Cómo hacer la conexión de 4 hilos: Cable de suministro de energía

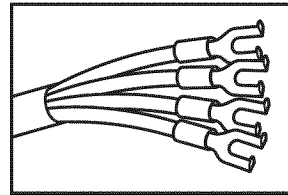
IMPORTANTE: Se necesita una conexión de 4 hilos para las casas rodantes y donde los códigos locales no permitan el uso de conexiones de 3 hilos.



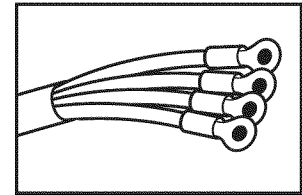
Contacto de 4 hilos (tipo NEMA 14-30R)



Enchufe de 4 terminales

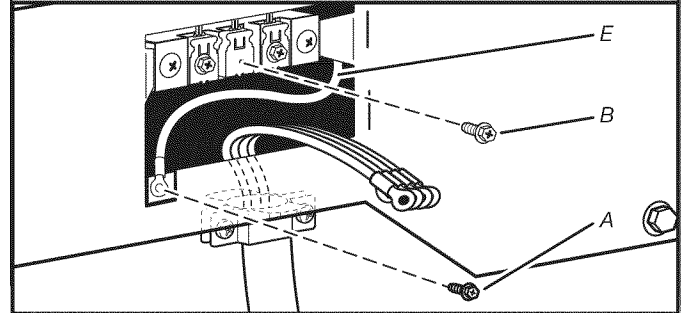


Conectores de horquilla con bridas



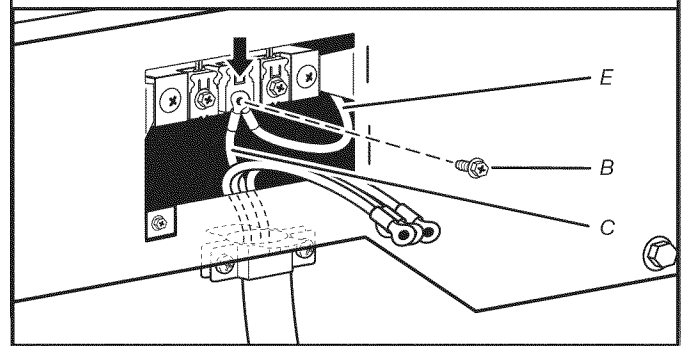
Conectores de anillo

1. Prepárese para conectar el hilo neutro de puesta a tierra y el alambre neutro



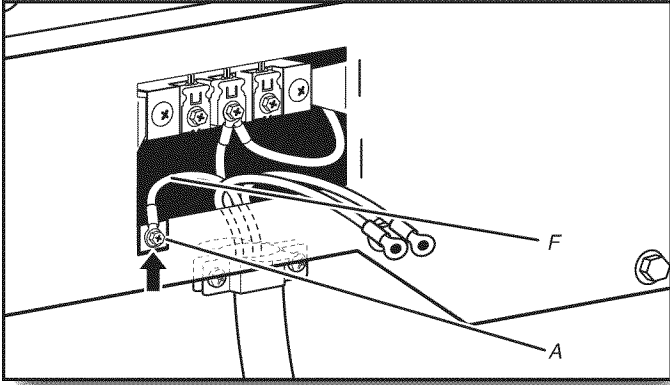
Quite el tornillo central del bloque de terminal (B). Saque el hilo neutro de puesta a tierra (E) del tornillo conductor a tierra externo (A).

2. Conecte el hilo neutro de puesta a tierra y el hilo neutro



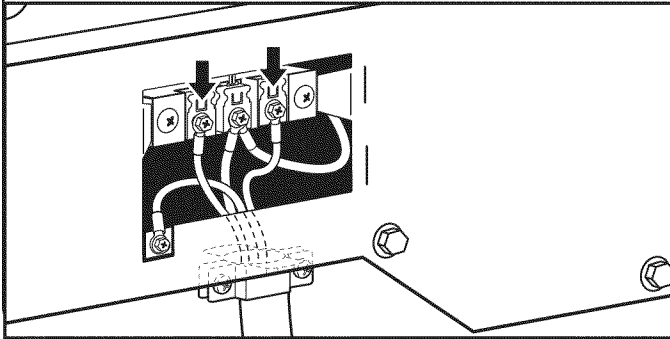
Conecte el hilo neutro de puesta a tierra (E) y el hilo neutro (hilo blanco o central) (C) del cable de suministro de energía debajo del tornillo central del bloque de terminal (B). Apriete el tornillo.

3. Conecte el hilo de puesta a tierra



Conecte el hilo de puesta a tierra (F) (verde o desnudo) del cable de suministro de energía al tornillo conductor a tierra externo (A). Apriete el tornillo.

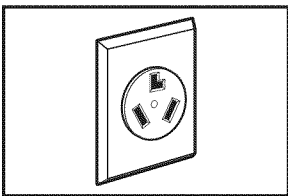
4. Conecte los hilos restantes



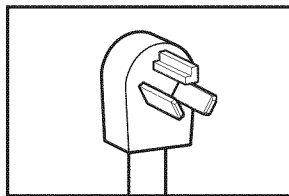
Conecte los hilos restantes a los tornillos externos del bloque de terminal. Apriete los tornillos. Por último vuelva a insertar la lengüeta de la tapa del bloque de terminal dentro de la ranura del panel posterior de la secadora. Asegure la tapa con un tornillo de sujeción. Ahora vaya a "Requisitos de ventilación".

Cómo hacer la conexión de 3 hilos: Cable de suministro de energía

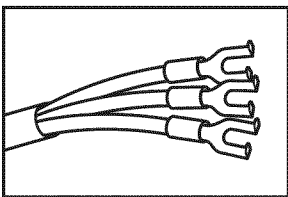
IMPORTANTE: Úselo donde los códigos locales permitan la conexión del conductor de tierra de la carcasa al hilo neutro.



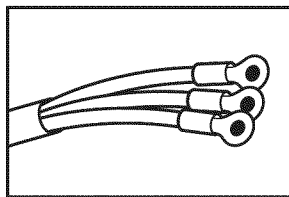
Contacto de 3 hilos
(tipo NEMA 10-30R)



Enchufe de 3 terminales

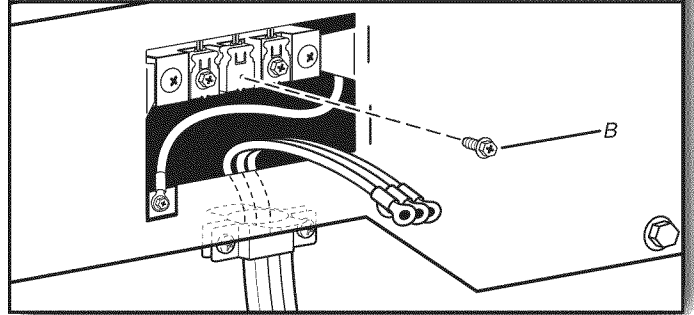


Conectores de horquilla
con bridas



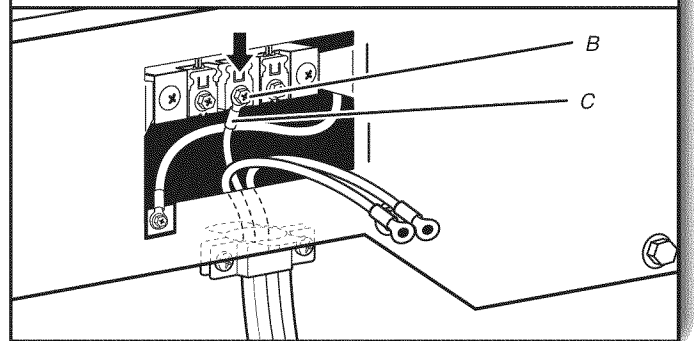
Conectores de anillo

1. Quite el tornillo central



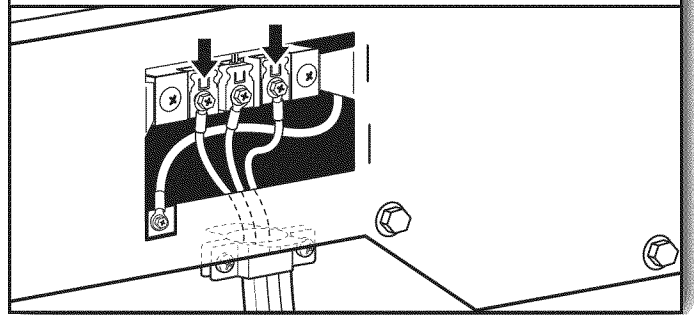
Quite el tornillo central del bloque de terminal (B).

2. Conecte el hilo neutro



Conecte el hilo neutro (hilo blanco o central) (C) del cable de suministro de energía al tornillo central del bloque de terminal (B). Apriete el tornillo.

3. Conecte los hilos restantes

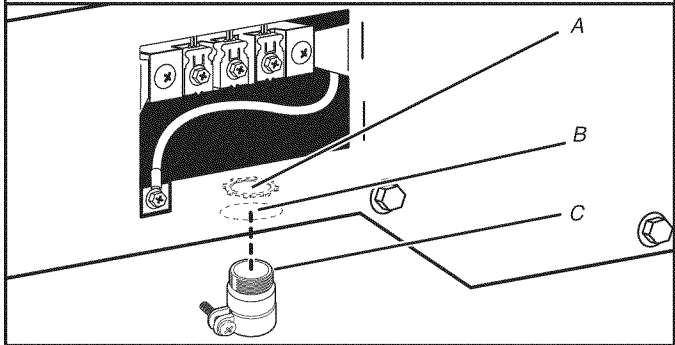


Conecte los hilos restantes a los tornillos externos del bloque de terminal. Apriete los tornillos. Por último vuelva a insertar la lengüeta de la tapa del bloque de terminal dentro de la ranura del panel posterior de la secadora. Asegure la tapa con un tornillo de sujeción. Ahora vaya a "Requisitos de ventilación".

Cómo hacer la conexión de cable directo

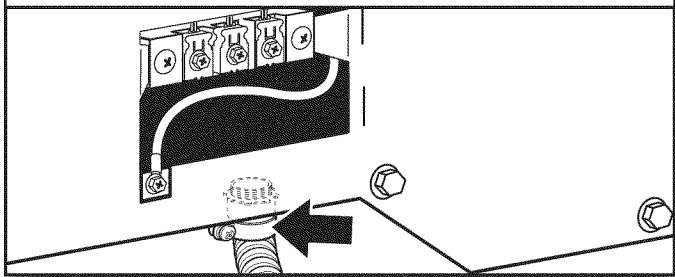
Protector de cables para cable directo

1. Sujete el protector de cables para cable directo



Desatornille el conector de conducto removible (A) y cualquier tornillo del protector de cables de 3/4" (19 mm) que está en la lista de UL (con la marca UL en el protector de cables). Haga pasar la sección trenzada del protector de cables (C) a través del orificio que está debajo de la abertura del bloque de terminal (B). Busque dentro de la abertura del bloque de terminal y atornille el conector de conducto removible (A) sobre las roscas del protector de cables.

2. Sujete el cable directo al protector de cables



Haga pasar el cable directo a través del protector de cables. El protector de cables deberá encajar de manera ajustada con la carcasa de la secadora y estar en posición horizontal. Apriete el tornillo del protector de cables contra el cable directo.

Si el cableado luce como éste:



Conexión por cable directo de 4 hilos:
Vaya a "Conexión por cable directo de 4 hilos" en esta página.

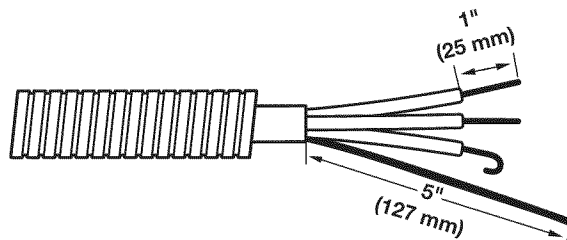


Conexión por cable directo de 3 hilos:
Vaya a "Conexión por cable directo de 3 hilos" en la página 70.

Conexión por cable directo de 4 hilos

IMPORTANTE: Se necesita una conexión de 4 hilos para las casas rodantes y donde los códigos locales no permitan el uso de conexiones de 3 hilos.

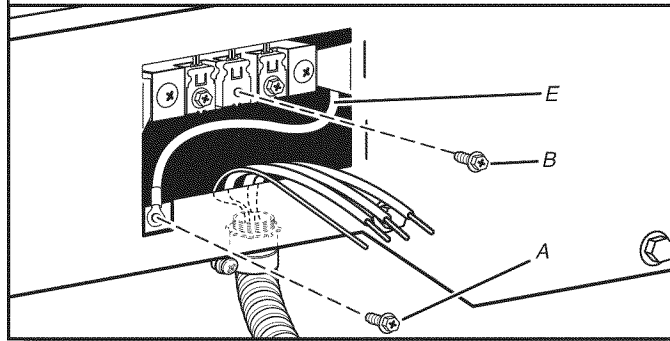
1. Prepare el cable de 4 hilos para la conexión directa



El cable del hilo directo deberá tener 5 pies (1,52 m) de largo adicional, para poder mover la lavadora/secadora si es necesario.

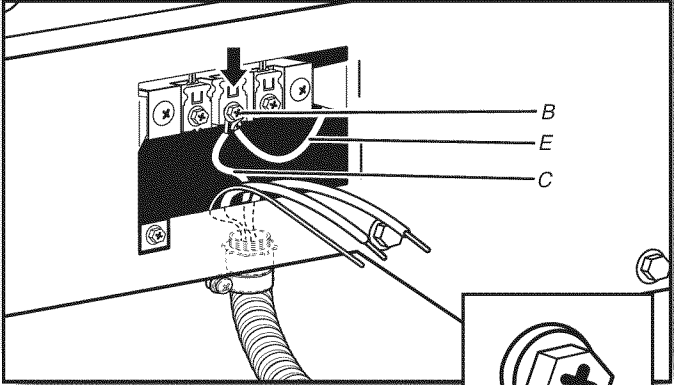
Pele 5" (127 mm) de la cubierta exterior del extremo del cable, dejando el cable a tierra desnudo a 5" (127 mm). Corte 1½" (38 mm) de los 3 hilos restantes. Pele el aislamiento 1" (25 mm). Dé forma de gancho a los extremos de los alambres.

2. Prepárese para conectar el hilo neutro de puesta a tierra y el hilo neutro



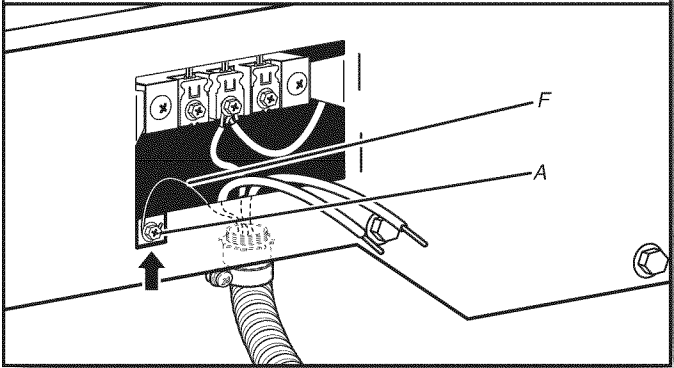
Quite el tornillo central del bloque de terminal (B). Saque el hilo neutro de puesta a tierra (E) del tornillo conductor a tierra externo (A).

3. Conecte el hilo neutro de puesta a tierra a tierra y el hilo neutro



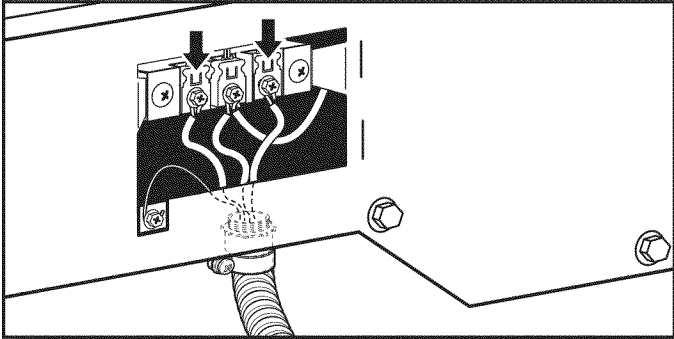
Conecte el hilo neutro de puesta a tierra (E) y coloque el extremo en forma de gancho (gancho mirando hacia la derecha) del hilo neutro (blanco o central) (C) del cable de conexión directa debajo del tornillo central del bloque de terminal (B). Apriete los extremos en forma de gancho y apriete el tornillo.

4. Conecte el hilo de puesta a tierra



Conecte el hilo de puesta a tierra (verde o desnudo) (F) del cable directo al tornillo conductor a tierra externo (A). Apriete el tornillo.

5. Conecte los hilos restantes

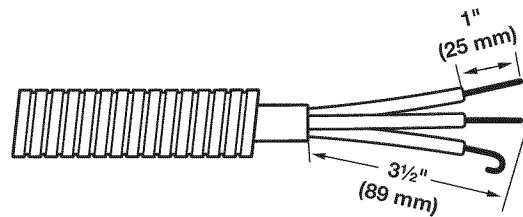


Coloque los extremos en forma de gancho de los hilos restantes del cable de conexión directa debajo de los tornillos exteriores del bloque de terminal (con los ganchos mirando hacia la derecha). Apriete los extremos en forma de gancho y apriete los tornillos. Por último vuelva a insertar la lengüeta de la tapa del bloque de terminal dentro de la ranura del panel posterior de la secadora. Asegure la tapa con un tornillo de sujeción. Ahora vaya a "Requisitos de ventilación".

Conexión por cable directo de 3 hilos

IMPORTANTE: Úselo donde los códigos locales permitan la conexión del conductor de tierra de la carcasa al hilo neutral.

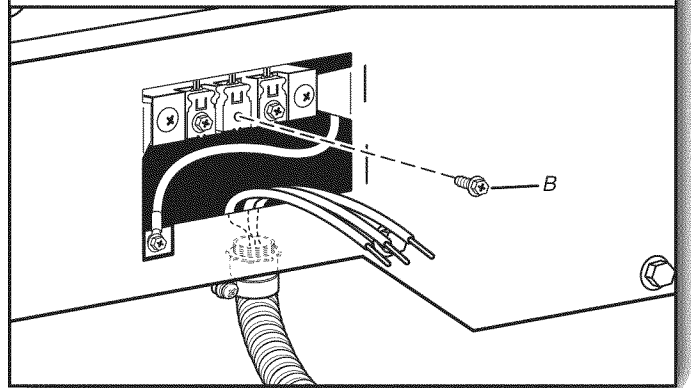
1. Prepare el cable de 3 hilos para la conexión directa



El cable del hilo directo deberá tener 5 pies (1,52 m) de largo adicional, para poder mover la lavadora/secadora si es necesario.

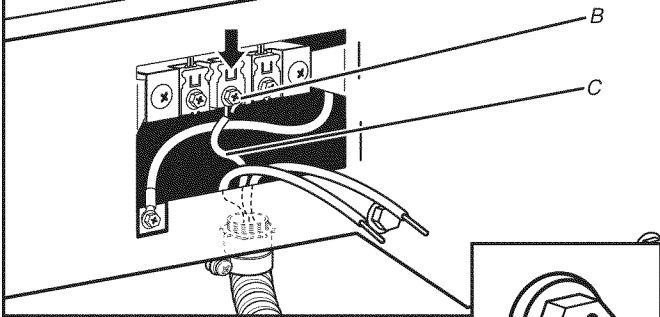
Pele 3 1/2" (89 mm) de la cubierta exterior del extremo del cable. Pele el aislamiento 1" (25 mm). Si va a usar el cable de 3 hilos con hilo a tierra, corte el hilo desnudo alineado con la cubierta exterior. Dé forma de gancho a los extremos de los alambres.

2. Quite el tornillo central



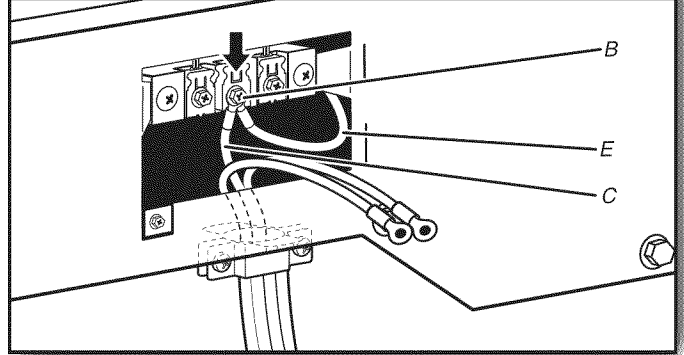
Quite el tornillo central del bloque de terminal (B).

3. Conecte el hilo neutro



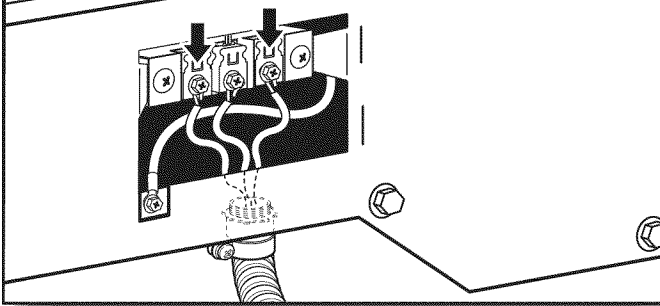
Coloque el extremo en forma de gancho del hilo neutro (hilo blanco o central) (C) del cable directo debajo del tornillo central (B) del bloque de terminal. Apriete y junte el extremo en forma de gancho. Apriete el tornillo.

2. Conecte el hilo neutro de puesta a tierra y el hilo neutro a tierra y el hilo neutro



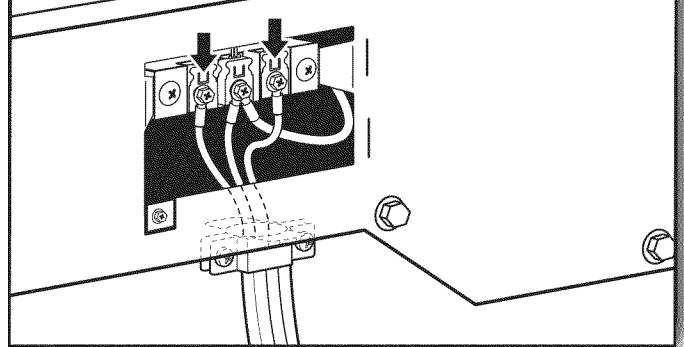
Conecte el hilo neutro de puesta a tierra (E) y el hilo neutro (hilo blanco o central) (C) del cable de suministro de energía o cable directo debajo del tornillo central del bloque de terminal (B). Apriete el tornillo.

4. Conecte los hilos restantes



Coloque los extremos en forma de gancho de los hilos restantes del cable de conexión directa debajo de los tornillos exteriores del bloque de terminal (con los ganchos mirando hacia la derecha). Apriete los extremos en forma de gancho y apriete los tornillos. Por último vuelva a insertar la lengüeta de la tapa del bloque de terminal dentro de la ranura del panel posterior de la secadora. Asegure la tapa con un tornillo de sujeción. Ahora vaya a "Requisitos de ventilación".

3. Conecte los hilos restantes

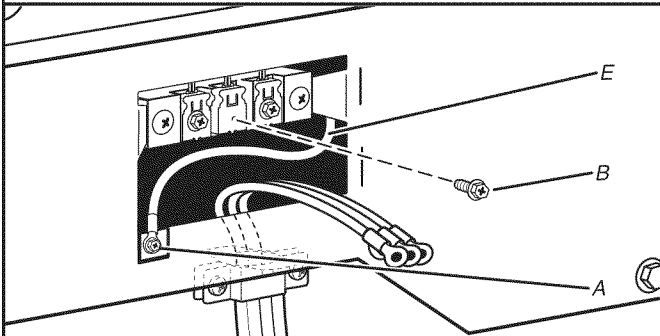


Coloque los extremos en forma de gancho de los hilos restantes debajo de los tornillos exteriores del bloque de terminal (con los ganchos mirando hacia la derecha). Apriete los tornillos.

Cómo hacer la conexión de 3 hilos opcional

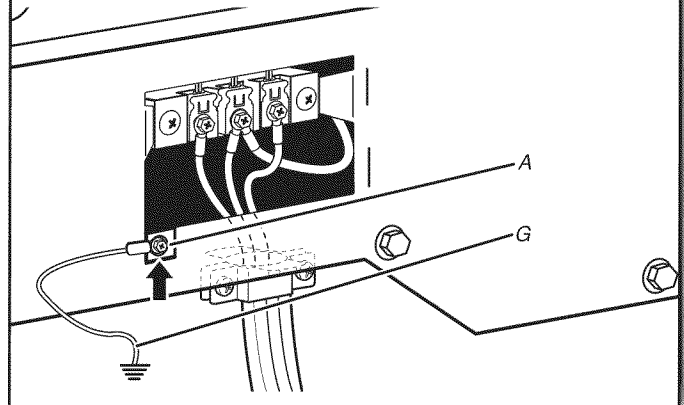
IMPORTANTE: Antes de hacer la conexión, usted deberá verificar con un electricista competente que este método de conexión a tierra sea aceptable.

1. Prepárese para conectar el hilo neutro de puesta a tierra y el hilo neutro



Quite el tornillo central del bloque de terminal (B). Saque el hilo neutro de puesta a tierra (E) del tornillo conductor a tierra externo (A).

4. Conecte el hilo externo a tierra



Conecte un hilo a tierra de cobre separado (G) desde el tornillo conductor a tierra externo (A) a una conexión a tierra adecuada. Por último vuelva a insertar la lengüeta de la tapa del bloque de terminal dentro de la ranura del panel posterior de la secadora. Asegure la tapa con un tornillo de sujeción. Ahora vaya a "Requisitos de ventilación".

Conexión eléctrica, modelos de 24"

Cable de suministro de energía

⚠ ADVERTENCIA



Peligro de Incendio

Use un cable de suministro eléctrico nuevo de 30 amperes que esté en la lista de UL.

Use un protector de cables que esté en la lista de UL.

Desconecte el suministro eléctrico antes de hacer las conexiones eléctricas.

Conecte el alambre neutro (el blanco o el del centro) al terminal central.

El alambre de tierra (el verde o el no aislado) se debe conectar con el conector verde de tierra.

Conecte los 2 alambres de suministro restantes con las 2 terminales restantes (las doradas).

Apriete firmemente todas las conexiones eléctricas.

No seguir estas instrucciones puede ocasionar la muerte, incendio, o choque eléctrico.

Cable directo

⚠ ADVERTENCIA



Peligro de Incendio

Utilice alambres de cobre sólido de ancho 10.

Use un protector de cables que esté en la lista de UL.

Desconecte el suministro eléctrico antes de hacer las conexiones eléctricas.

Conecte el alambre neutro (el blanco o el del centro) al terminal central.

El alambre de tierra (el verde o el no aislado) se debe conectar con el conector verde de tierra.

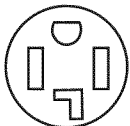
Conecte los 2 alambres de suministro restantes con las 2 terminales restantes (las doradas).

Apriete firmemente todas las conexiones eléctricas.

No seguir estas instrucciones puede causar la muerte, incendio o choque eléctrico.

Opciones de conexión

1. Seleccione el tipo de conexión eléctrica



Contacto de 4 hilos (tipo NEMA 14-30R): Vaya a la sección "Conexión por cable de suministro eléctrico de 4 hilos". Después vaya a "Requisitos de ventilación".



Contacto de 3 hilos (tipo NEMA 10-30R): Vaya a la sección "Conexión por cable de suministro eléctrico de 3 hilos". Después vaya a "Requisitos de ventilación".



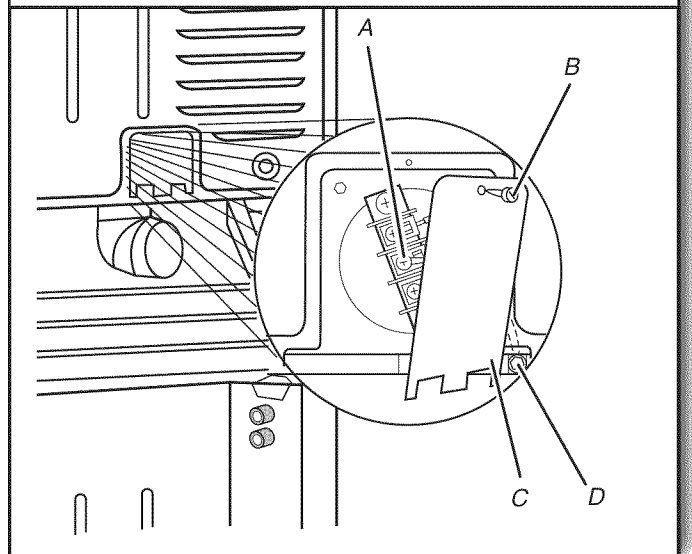
Cable directo de 4 hilos: Vaya a la sección "Conexión por cable directo de 4 hilos". Después vaya a "Requisitos de ventilación".



Cable directo de 3 hilos: Vaya a la sección "Conexión por cable directo de 3 hilos". Después vaya a "Requisitos de ventilación".

NOTA: Si los códigos locales no permiten la conexión de un conductor para conexión a tierra de la carcasa al alambre neutro, prosiga a la sección "Conexión opcional de 3 hilos". Esta conexión se puede utilizar con un cable de suministro de energía o un cable directo.

2. Quite la tapa del bloque de terminal



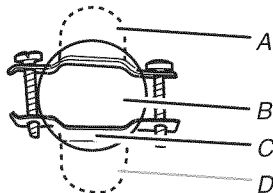
Desconecte el suministro de energía antes de comenzar. Quite el tornillo de sujeción (B) y la tapa del bloque de terminal (C).

- A. Tornillo central del bloque de terminal
- B. Tornillo de sujeción
- C. Tapa del bloque de terminal
- D. Tornillo conductor a tierra externo

Conexión de cable de suministro de energía

Protector de cables del cable de suministro de energía

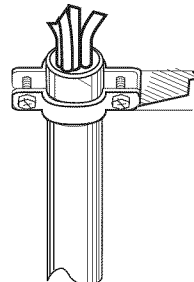
1. Sujete el protector de cables del cable de suministro de energía



Quite los tornillos de un protector de cables de 3/4" (19 mm) que esté en la lista de UL (con la marca UL en el protector de cables). Coloque las lengüetas de las dos secciones de la abrazadera (C) en el orificio que está debajo de la abertura del bloque de terminal (B) de manera que una lengüeta esté apuntando hacia arriba (A) y la otra esté apuntando hacia abajo (D), y sujételas en su lugar. Apriete los tornillos del protector de cables sólo lo suficiente para mantener las dos secciones de la abrazadera (C) juntas.

- A. Lengüeta del protector de cables apuntando hacia arriba
- B. Orificio debajo de la abertura del bloque de terminal
- C. Sección de la abrazadera
- D. Lengüeta del protector de cables apuntando hacia abajo

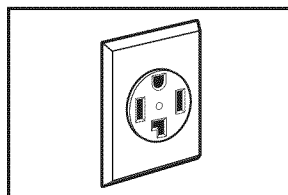
2. Sujete el cable de suministro de energía al protector de cables



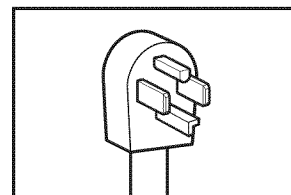
Haga pasar el cable de suministro de energía a través del protector de cables. Asegúrese de que el aislamiento de cables del cable de suministro de energía esté dentro del protector de cables. El protector de cables deberá encajar de manera ajustada con la carcasa de la secadora y estar en posición horizontal. No ajuste más los tornillos del protector de cables en este momento.

Cómo hacer la conexión de 4 hilos: Cable de suministro de energía

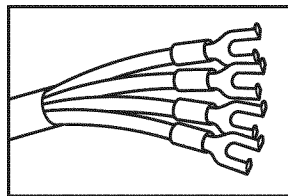
IMPORTANTE: Se necesita una conexión de 4 hilos para las casas rodantes y donde los códigos locales no permitan el uso de conexiones de 3 hilos.



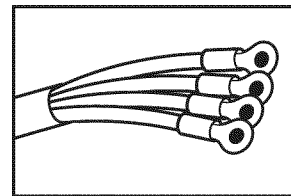
Contacto de 4 hilos
(tipo NEMA 14-30R)



Enchufe de 4 terminales

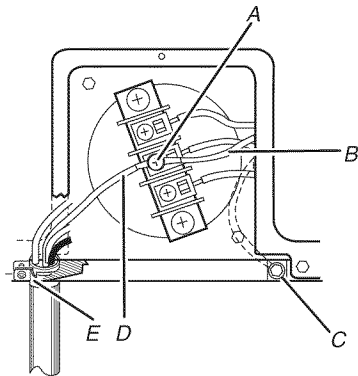


Conectores de horquilla
con bridas



Conectores de anillo

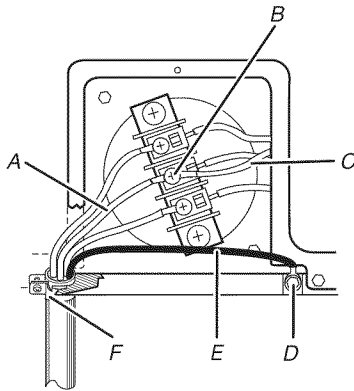
1. Conecte el hilo neutro de puesta a tierra y el hilo neutro



Saque el tornillo central del bloque de terminal. Saque el hilo neutro de puesta a tierra del tornillo conductor de tierra externo. Conecte el hilo neutro de puesta a tierra y el hilo neutro (hilo blanco o central) del cable de suministro de energía debajo del tornillo central del bloque de terminal. Apriete el tornillo.

- A. Tornillo central del bloque de terminal
- B. Hilo neutro de puesta a tierra
- C. Tornillo conductor de tierra externo – La línea punteada ilustra la posición del hilo de tierra NEUTRO antes de moverlo al tornillo central del bloque de terminal.
- D. Hilo neutro (hilo blanco o central)
- E. Protector de cables de 3/4" (19 mm), que esté en la lista de UL

2. Conecte el hilo neutro



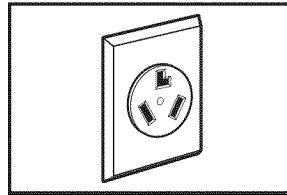
Conecte el hilo de conexión tierra (verde o desnudo) del cable de suministro de energía al tornillo conductor de tierra externo. Apriete el tornillo.

- A. Hilo neutro (hilo blanco o central)
- B. Tornillo central del bloque de terminal
- C. Hilo neutro de puesta a tierra
- D. Tornillo conductor a tierra externo
- E. Hilo de tierra (verde o desnudo) del cable de suministro de energía
- F. Protector de cables de 3/4" (19 mm), que esté en la lista de UL

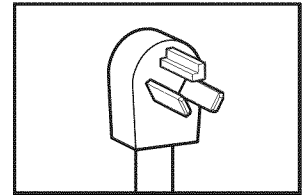
Conecte los otros hilos a los tornillos exteriores del bloque de terminal. Apriete los tornillos. Apriete los tornillos del protector de cables. Introduzca la lengüeta de la cubierta del bloque terminal en la ranura del panel posterior de la secadora. Asegure la cubierta con el tornillo de sujeción. Ahora vaya a "Requisitos de ventilación".

Cómo hacer la conexión de 3 hilos: Cable de suministro de energía

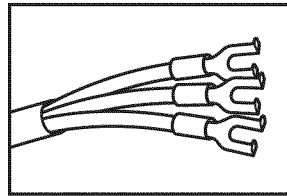
IMPORTANTE: Úselo donde los códigos locales permitan la conexión del conductor de tierra de la carcasa al hilo neutral.



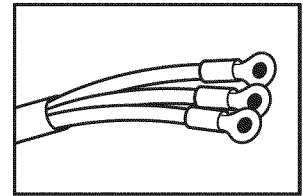
Contacto de 3 hilos (tipo NEMA 10-30R)



Enchufe de 3 terminales

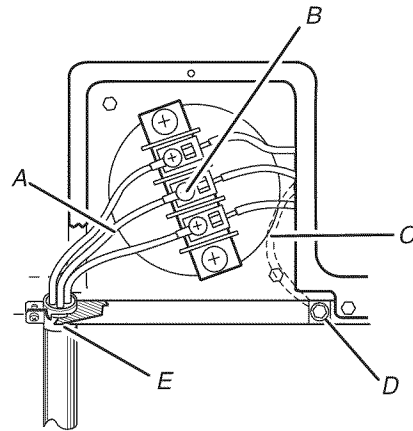


Conectores de horquilla con bridas



Conectores de anillo

1. Conecte el hilo neutro



Afloje o saque el tornillo central del bloque de terminal. Conecte el hilo neutro (hilo blanco o central) del cable de suministro de energía al tornillo central del bloque terminal. Apriete el tornillo.

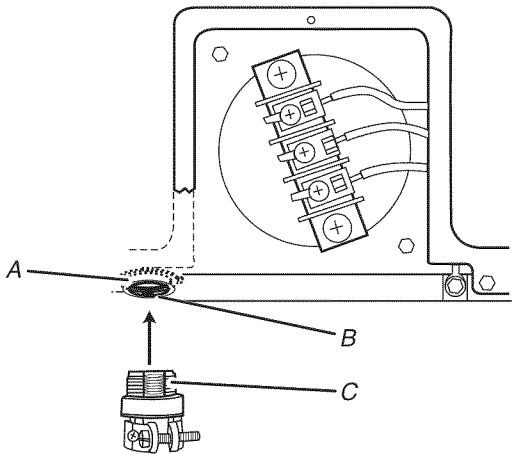
- A. Hilo neutro (hilo blanco o central)
- B. Tornillo central del bloque de terminal
- C. Hilo neutro de puesta a tierra
- D. Tornillo conductor a tierra externo
- E. Protector de cables de 3/4" (19 mm), que esté en la lista de UL

Conecte los otros hilos a los tornillos exteriores del bloque de terminal. Apriete los tornillos. Apriete los tornillos del protector de cables. Inserte la lengüeta de la tapa del bloque de terminal dentro de la ranura del panel posterior de la secadora. Asegure la tapa con el tornillo de sujeción. Ahora vaya a "Requisitos de ventilación".

Cómo hacer la conexión de cable directo

Protector de cables para cable directo

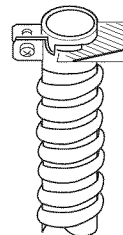
1. Sujete el protector de cables para cable directo



Desatornille el conector de conducto removible y cualquier tornillo del protector de cables de 3/4" (19 mm) que está en la lista de UL (con la marca UL en el protector de cables). Haga pasar la sección trenzada del protector de cables a través del orificio que está debajo de la abertura del bloque de terminal. Busque dentro de la abertura del bloque de terminal y atornille el conector de conducto removible sobre las roscas del protector de cables.

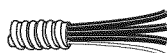
- A. Conector del conducto removible
- B. Orificio debajo de la abertura del bloque de terminal
- C. Roscas del protector de cables

2. Sujete el cable directo al protector de cables



Haga pasar el cable directo a través del protector de cables. El protector de cables deberá encajar bien con el gabinete de la secadora y estar en posición horizontal. Apriete el tornillo del protector de cables contra el cable directo.

Si el cableado luce como éste:



Conexión por cable directo de 4 hilos:
Vaya a "Conexión por cable directo de 4 hilos" en esta página.

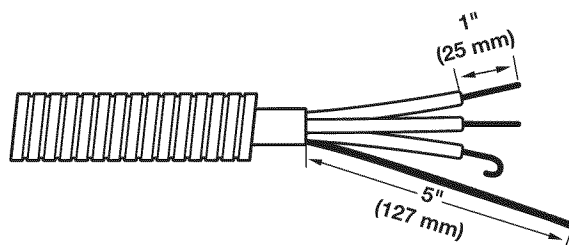


Conexión por cable directo de 3 hilos:
Vaya a "Conexión por cable directo de 3 hilos".

Conexión por cable directo de 4 hilos

IMPORTANTE: Se necesita una conexión de 4 hilos para las casas rodantes y donde los códigos locales no permitan el uso de conexiones de 3 hilos.

1. Prepare el cable de 4 hilos para la conexión directa

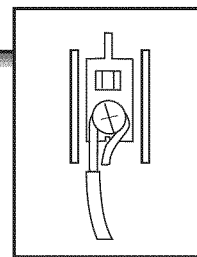


El cable del hilo directo deberá tener 5 pies (1,52 m) de largo adicional, para poder mover la lavadora/secadora si es necesario.

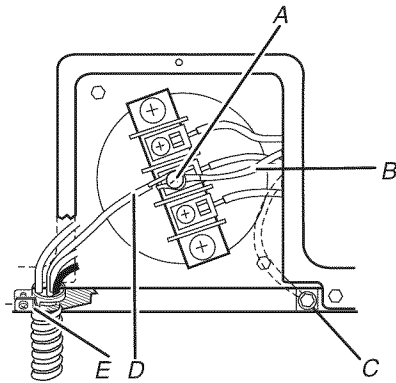
Pele 5" (127 mm) de la cubierta exterior desde el extremo del cable, dejando el hilo de tierra desnudo a 5" (127 mm).

Corte 1-1/2" (38 mm) de los 3 hilos restantes. Pele el aislamiento 1" (25 mm) hacia atrás. Doble los extremos de los hilos para formar un gancho.

Al conectar el hilo al bloque de terminal, coloque el extremo del hilo en forma de gancho debajo del tornillo del bloque de terminal (gancho mirando hacia la derecha). Apriete y junte el extremo en forma de gancho y apriete el tornillo. Vea el ejemplo de arriba.



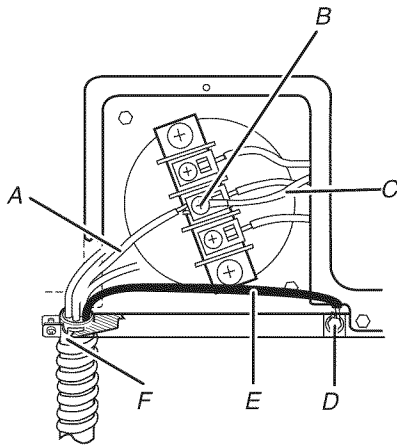
2. Conecte el hilo neutro de puesta a tierra a tierra y el hilo neutro



Saque el tornillo central del bloque de terminal. Saque el hilo neutro de puesta a tierra del tornillo conductor de tierra externo. Conecte el hilo neutro de puesta a tierra y coloque el extremo en forma de gancho (gancho mirando hacia la derecha) del hilo neutro (blanco o central) del cable de conexión directa debajo del tornillo central del bloque de terminal. Apriete y junte los extremos enganchados. Apriete el tornillo.

- A. Tornillo central del bloque de terminal
- B. Hilo neutro de puesta a tierra
- C. Tornillo conductor a tierra externo – La línea punteada ilustra la posición del hilo de tierra NEUTRO antes de moverlo al tornillo central del bloque de terminal.
- D. Hilo neutro (hilo blanco o central)
- E. Protector de cables de 3/4" (19 mm), que esté en la lista de UL

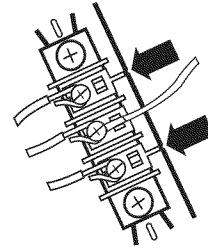
3. Conecte el hilo de puesta a tierra



Conecte el hilo de puesta a tierra (verde o desnudo) del cable directo al tornillo conductor a tierra externo. Apriete el tornillo.

- A. Hilo neutro (hilo blanco o central)
- B. Tornillo central del bloque de terminal
- C. Hilo neutro de puesta a tierra
- D. Tornillo conductor a tierra externo
- E. Hilo de puesta a tierra (verde o desnudo) del cable directo
- F. Protector de cables de 3/4" (19 mm), que esté en la lista de UL

4. Conecte los hilos restantes

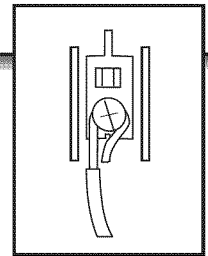
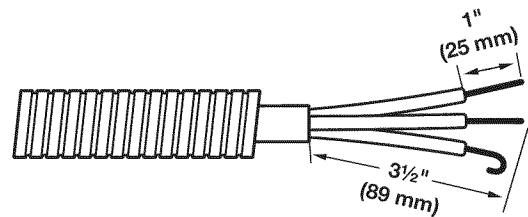


Coloque los extremos enganchados de los otros hilos del cable directo debajo de los tornillos exteriores del bloque terminal (con los ganchos mirando hacia la derecha). Apriete y junte los extremos enganchados. Apriete los tornillos. Apriete el tornillo del protector de cables. Introduzca la lengüeta de la cubierta del bloque terminal en la ranura del panel posterior de la secadora. Asegure la cubierta con el tornillo de sujeción. Ahora vaya a "Requisitos de ventilación".

Conexión por cable directo de 3 hilos

Úselo donde los códigos locales permitan la conexión del conductor de tierra de la carcasa al hilo neutro.

1. Prepare el cable de 3 hilos para la conexión directa

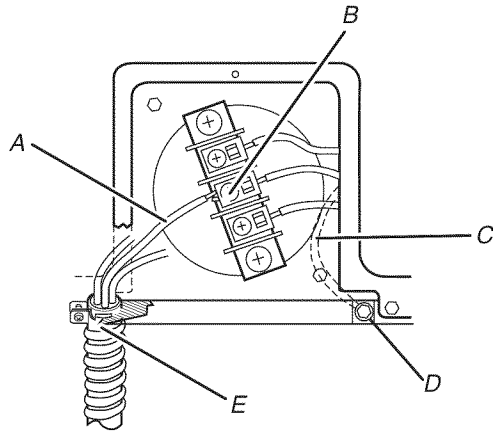


El cable del hilo directo deberá tener 5 pies (1,52 m) de largo adicional, para poder mover la lavadora/secadora si es necesario.

Pele 3 1/2" (89 mm) de la cubierta exterior del extremo del cable. Pele el aislamiento 1" (25 mm). Si va a usar el cable de 3 hilos con hilo a tierra, corte el hilo desnudo alineado con la cubierta exterior. Dé forma de gancho a los extremos de los alambres.

Al conectar el hilo al bloque de terminal, coloque el extremo del hilo en forma de gancho debajo del tornillo del bloque de terminal (gancho mirando hacia la derecha). Apriete y junte el extremo en forma de gancho y apriete el tornillo. Vea el ejemplo de arriba.

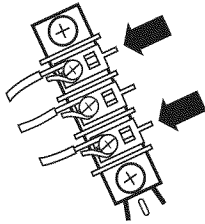
2. Conecte el hilo neutro



Afloje o saque el tornillo central del bloque de terminal. Coloque el extremo en forma de gancho del hilo neutro (hilo blanco o central) del cable directo debajo del tornillo central del bloque terminal (con el gancho mirando hacia la derecha). Apriete y junte el extremo en forma de gancho. Apriete el tornillo.

- A. Hilo neutro (hilo blanco o central)
- B. Tornillo central del bloque de terminal
- C. Hilo neutro de puesta a tierra
- D. Tornillo conductor a tierra externo
- E. Protector de cables de 3/4" (19 mm), que esté en la lista de UL

3. Conecte los hilos restantes

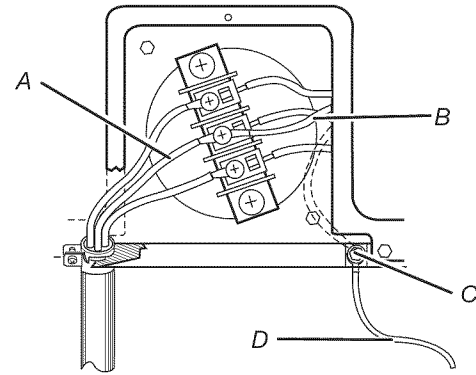


Coloque los extremos enganchados de los otros hilos del cable directo debajo de los tornillos exteriores del bloque terminal (con los ganchos mirando hacia la derecha). Apriete y junte los extremos enganchados. Apriete los tornillos. Apriete el tornillo del protector de cables. Introduzca la lengüeta de la cubierta del bloque terminal en la ranura del panel posterior de la secadora. Asegure la cubierta con el tornillo de sujeción. Ahora vaya a "Requisitos de ventilación".

Cómo hacer la conexión de 3 hilos opcional

Use para cable directo o cable de suministro de energía donde los códigos locales no permitan la conexión del conductor de tierra del gabinete con el hilo neutro.

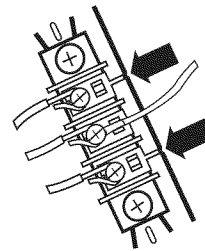
1. Conecte el hilo neutro de puesta a tierra y el hilo neutro



Saque el tornillo central del bloque terminal. Saque el hilo neutro de puesta a tierra del tornillo conductor a tierra externo. Conecte el hilo neutro de puesta a tierra y el hilo neutro (hilo blanco o central) del cable de suministro de energía/cable directo debajo del tornillo central del bloque de terminal. Apriete el tornillo.

- A. Hilo neutro (hilo blanco o central)
- B. Hilo neutro de puesta a tierra
- C. Tornillo conductor a tierra externo – La línea punteada ilustra la posición del hilo de tierra NEUTRO antes de moverlo al tornillo central del bloque de terminal.
- D. Camino de puesta a tierra determinado por un electricista capacitado

2. Conecte los hilos restantes y conecte el hilo de puesta a tierra separado



Conecte los otros hilos a los tornillos exteriores del bloque de terminal. Apriete los tornillos. Apriete los tornillos del protector de cables. Conecte un hilo de tierra de cobre separado del tornillo conductor a tierra externo a tierra adecuada. Introduzca la lengüeta de la cubierta del bloque de terminal en la ranura del panel posterior de la secadora. Asegure la cubierta con el tornillo de sujeción. Ahora vaya a "Requisitos de ventilación".

Ventilación

Requisitos de ventilación

⚠ ADVERTENCIA



Peligro de Incendio

Use un ducto de escape de metal pesado.

No use un ducto de escape de plástico.

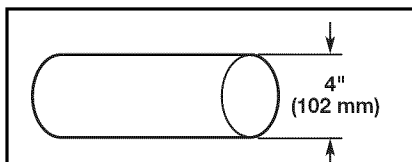
No use un ducto de escape de aluminio.

No seguir estas instrucciones puede ocasionar la muerte o incendio.

ADVERTENCIA: Para reducir el riesgo de incendio, esta secadora DEBE VENTILARSE HACIA EL EXTERIOR.

IMPORTANTE: Observe todos los códigos y ordenanzas aplicables.

El ducto de escape de la secadora no debe conectarse en ningún ducto de gas, chimenea, pared, techo, desván, espacio angosto o el espacio oculto de un edificio. Deberá usarse solamente un ducto de metal rígido o flexible para la ventilación.



Ducto de escape de metal pesado de 4" (102 mm)

- Sólo puede usarse un ducto de escape de metal pesado de 4" (102 mm) y abrazaderas.
- No utilice un ducto de escape de plástico ni de aluminio.

Ducto de escape de metal rígido:

- Se recomienda para un mejor desempeño en el secado y para evitar que se aplaste o se tuerza.

Ducto de escape de metal flexible: (Es aceptable sólo si es accesible para la limpieza)

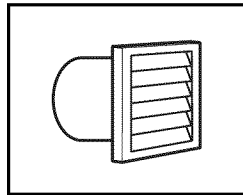
- Deberá extenderse por completo y tener soporte en la ubicación final de la secadora.
- Quite el exceso del mismo para evitar que se doble y se tuerza, lo cual podría dar lugar a una reducción del flujo de aire y a un rendimiento insuficiente.
- No instale un ducto de escape de metal flexible en paredes, techos o pisos encerrados.
- La longitud total no deberá exceder los 7³/₄ pies (2,4 m).

NOTA: Si se usa un sistema de ventilación existente, limpie la pelusa que está en toda la longitud del sistema y asegúrese de que la capota de ventilación no esté obstruida con pelusa. Reemplace los ductos de escape de plástico o de hoja de metal por ductos de metal rígido o de metal flexible. Revise el "Cuadro del sistema de ventilación" y, si es necesario, modifique el sistema de ventilación existente para lograr el mejor desempeño de secado.

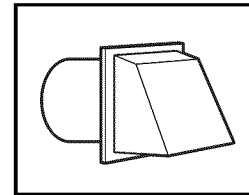
Capotas de ventilación:

- La capota de ventilación debe estar por lo menos a 12" (305 mm) de distancia del piso o de cualquier objeto que pudiese estar en el trayecto del ducto de escape (como flores, rocas, arbustos o nieve).

Estilos recomendados:

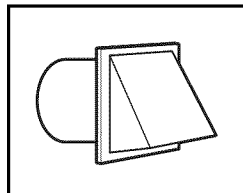


Capota tipo persiana



Capota tipo caja

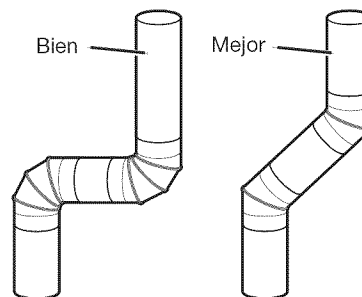
Estilo aceptable:



Capota angular

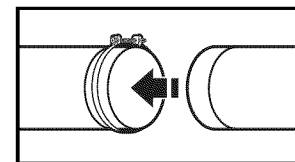
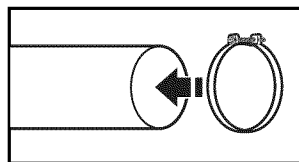
Codos:

- Los codos de 45° proveen un mejor flujo de aire que los codos de 90°.



Abrazaderas:

- Utilice abrazaderas para sellar todas las juntas.
- No debe conectarse ni asegurarse el ducto de escape con tornillos ni con ningún otro dispositivo de sujeción que se extienda hacia el interior de dicho ducto y atrape pelusa. No utilice cinta para ductos.



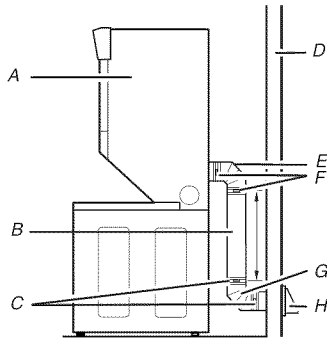
La ventilación inadecuada puede ocasionar la acumulación de humedad y pelusa en la casa, lo cual puede dar como resultado:

- Daños de humedad en la carpintería, muebles, pintura, empapelado, alfombras, etc.
- Problemas en la limpieza de la casa y de salud.

Planificación del sistema de ventilación

Instalaciones recomendadas de escape

Las instalaciones típicas tienen la ventilación en la parte posterior de la lavadora/secadora. Otras instalaciones son posibles.



- A. Secadora
- B. Ducto de metal rígido o de metal flexible
- C. Abrazaderas
- D. Pared
- E. Codo
- F. Abrazaderas
- G. Codo
- H. Capota de ventilación


Instalaciones opcionales de escape:

Esta lavadora/secadora puede convertirse para ventilarse al exterior por el lado derecho o izquierdo. Para convertir la lavadora/secadora, use el juego de escape lateral, pieza número 279823. Si la lavadora/secadora ha sido ventilada anteriormente por el lado derecho o izquierdo, puede ser convertida para ventilarse por la parte posterior usando conexiones de desviación estándares. Para cubrir el orificio que quede en el costado, puede agregar uno de estos dos tapones:

- 692790 (blanco)
- 3977784 (galleta)

Siga las instrucciones que se encuentran en el juego para instalarlo. Los juegos están disponibles con el distribuidor en donde compró la lavadora/secadora.

⚠ ADVERTENCIA

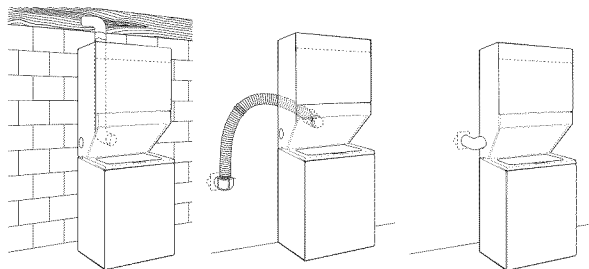


Peligro de Incendio

Cubra los orificios de escape no usados con un juego de cubierta para orificios de escape del fabricante.

Comuníquese con su distribuidor local.

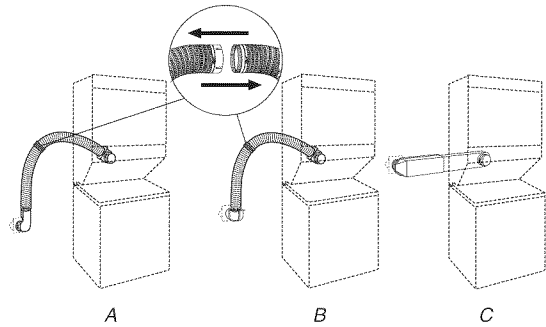
No seguir estas instrucciones puede ocasionar la muerte, incendio, choque eléctrico, o lesiones graves.



- A. Instalación estándar con ventilación por la parte posterior y conexión indirecta
- B. Ventilación posterior para conexión indirecta en espacios reducidos
- C. Instalación de ventilación lateral a la izquierda o a la derecha

Instalaciones alternas para espacios angostos

Los sistemas de ventilación vienen en una amplia gama. Seleccione el tipo más apropiado para su instalación. A continuación se ilustran tres tipos de instalación para espacios limitados. Consulte las instrucciones del fabricante.



- A. Sistema con curva y codos estándar
- B. Sistema con curva y un codo estándar y un codo de desviación
- C. Sistema de ventilación con un periscopio (espacio de 2" [51 mm])

NOTA: Se pueden adquirir los siguientes juegos para instalaciones alternas en espacios limitados.

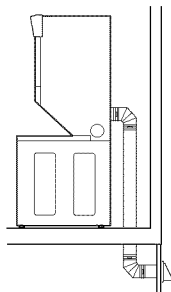
Juegos de ventilación

Para obtener más información, llame al **1-800-901-2042**, o visítenos en www.applianceaccessories.com.

Nº. de pieza	Descripciones
4396028	Instalación por la parte superior
4396037	0" (0 mm) a 18" (457 mm) Periscopio de ventilación de metal (Para usar si hay desacople entre el ducto de escape de la secadora y el ducto de escape de la pared)
4396011	18" (457 mm) a 29" (737 mm) Periscopio de ventilación de metal (Para usar si hay desacople entre el ducto de escape de la secadora y el ducto de escape de la pared)
4396014	29" (737 mm) a 50" (1,27 m) Periscopio de ventilación de metal (Para usar si hay desacople entre el ducto de escape de la secadora y el ducto de escape de la pared)
4392892	Periscopio metálico DuraVent™ para pared
279818	Juego de ventilación de 4 direcciones – blanco
W10186596	Juego de ventilación de 4 direcciones – gris universal
4396028	Juego de ventilación Sure Connect™ (instalación por la parte superior)
4396009RP	Ducto de conexión universal de 5', ducto de escape flexible para secadora
4396010RP	Ducto de escape de 6' SecureConnect™, ducto de escape flexible para secadora
4396013RB	Juego para el instalador del ducto de escape para secadora
4396033RP	Ducto de escape flexible de 5' con abrazaderas
4396727RP	Ducto de escape flexible de 8' con abrazaderas
4396004	Codo de desviación para secadora
4396005	Codo de desviación para pared
4396006RW	Codo para espacios reducidos DuraSafe™
4396007RW	Capota de ventilación a través de la pared
4396008RP	Abrazaderas de acero de 4" para ducto de escape para secadora – paquete de 2
8212662	Capota de ventilación de montaje al ras tipo persiana de 4"

Previsiones especiales para las instalaciones en casas rodantes

El ducto de escape deberá sujetarse firmemente en un lugar no inflamable de la estructura de la casa rodante y no debe terminar debajo de la casa rodante. El ducto de escape debe terminar en el exterior.



Determinación de la vía del ducto de escape:

- Seleccione la vía que proporcione el trayecto más recto y directo al exterior.
- Planifique la instalación a fin de usar el menor número posible de codos y vueltas.
- Cuando use los codos o haga vueltas, deje todo el espacio que sea posible.
- Doble el ducto gradualmente para evitar torceduras.
- Use la menor cantidad posible de vueltas de 90°.

Determinación de la longitud del ducto de escape y de los codos necesarios para obtener un óptimo rendimiento de secado:

- Use el "Cuadro del sistema de ventilación" a continuación para determinar el tipo de material para ducto y la combinación de capota aceptable a usar.

NOTA: No use tendidos de ducto de escape más largos que los especificados en el "Cuadro del sistema de ventilación". Los sistemas de ventilación más largos que los especificados:

- Acortarán la vida de la secadora.
- Reducirán el rendimiento, dando lugar a tiempos de secado más largos y un aumento en el consumo de energía.

El "Cuadro del sistema de ventilación" indica los requisitos de ventilación que le ayudarán a alcanzar el mejor rendimiento de secado.

Cuadro del sistema de ventilación, modelos de 27"

Nº de vueltas 90° o codos	Tipo de ventilación	Capota tipo caja/persiana	Capota angular
0	Metal rígido	37 pies (11,3 m)	35 pies (10,7 m)
1	Metal rígido	32 pies (9,7 m)	27 pies (8,2 m)
2	Metal rígido	23 pies (7,0 m)	19 pies (5,8 m)

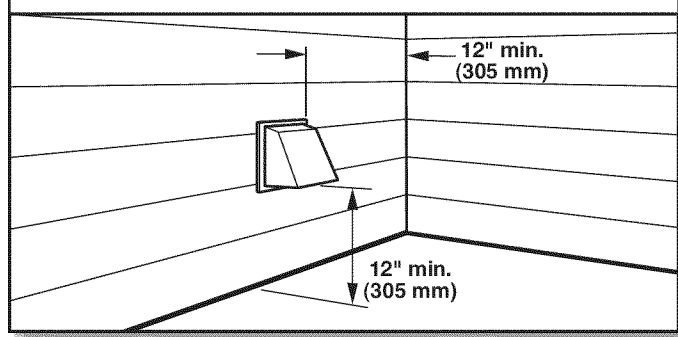
Cuadro del sistema de ventilación, modelos de 24"

Nº de vueltas 90° o codos	Tipo de ventilación	Capota tipo caja/persiana	Capota angular
0	Metal rígido	43 pies (13,1 m)	36 pies (11,0 m)
1	Metal rígido	33 pies (10,1 m)	26 pies (7,9 m)
2	Metal rígido	23 pies (7,0 m)	16 pies (4,9 m)

NOTA: Las instalaciones de ventilación laterales tienen una vuelta de 90° dentro de la secadora. Para determinar la longitud máxima de ventilación, agregue una vuelta de 90° al cuadro.

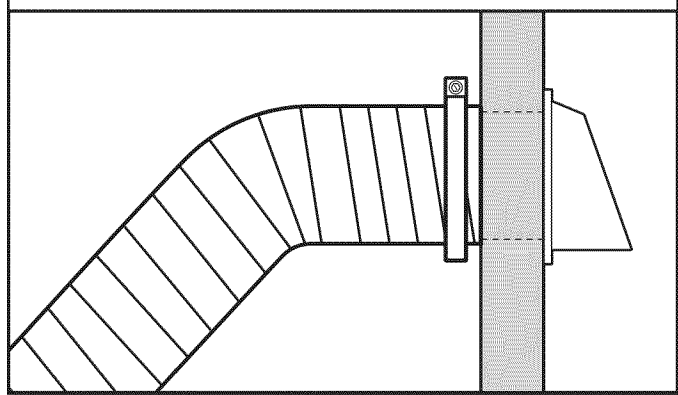
Instalación del sistema de ventilación

1. Instale la capota de ventilación



Instale la capota de ventilación. Emplee una masilla de calafateo para sellar la abertura de la pared externa alrededor de la capota de ventilación.

2. Conecte el ducto de escape a la capota de ventilación



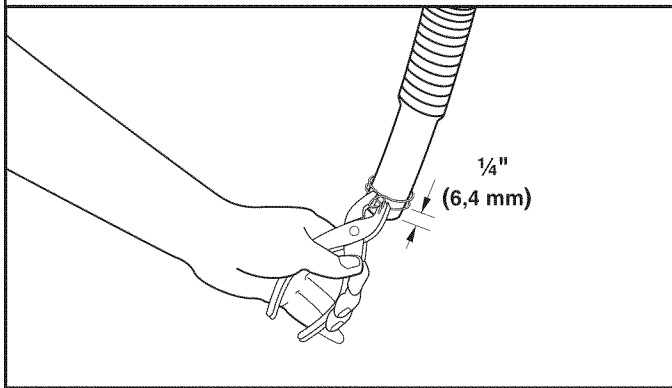
El ducto de escape debe encajar dentro de la capota de ventilación. Asegure el ducto de escape a la capota de ventilación con una abrazadera de 4" (102 mm). Extienda el ducto de escape a la ubicación de la secadora. Use la trayectoria más recta posible. Evite giros de 90°. Use abrazaderas para sellar todas las juntas. No use cinta adhesiva para conductos, tornillos ni otros dispositivos de fijación que se extiendan dentro del ducto de escape para fijarlo, los cuales podrían atrapar pelusa.

Conecte la manguera de desagüe

Para proteger sus pisos de los daños ocasionados por las fugas de agua, conecte correctamente la manguera de desagüe. Para evitar que la manguera de desagüe se salga o tenga fugas, deberá ser instalada de acuerdo a las instrucciones siguientes:

IMPORTANTE: Para asegurar una instalación adecuada, se debe seguir este procedimiento con exactitud.

1. Sujete la abrazadera a la manguera de desagüe

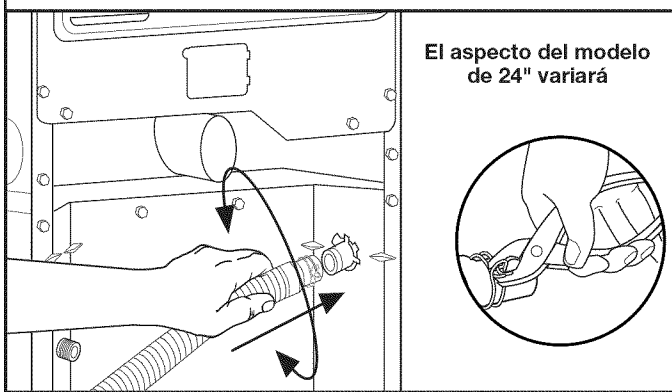


Revise la manguera de desagüe para aver si tiene el largo adecuado. Moje el interior del extremo recto de la manguera de desagüe con agua del grifo.

IMPORTANTE: No use ningún otro lubricante aparte de agua.

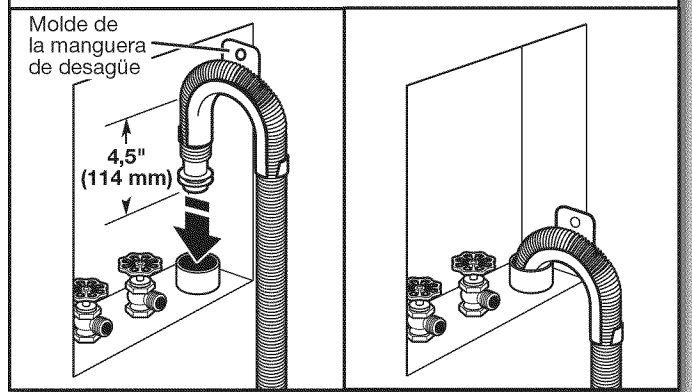
Apriete con la pinza las aletas de la abrazadera plateada de doble alambre para abrirla. Coloque la abrazadera sobre el extremo recto de la manguera de desagüe a 1/4" (6,4 mm) del mismo.

2. Sujete la manguera de desagüe al conector de desagüe (se muestra el modelo de 27")



Abra la abrazadera. Tuerza la manguera hacia atrás y hacia adelante mientras empuja sobre el conector de desagüe en el lado de la lavadora/secadora. Continúe hasta que la manguera entre en contacto con los toques estriados sobre la carcasa. Coloque la abrazadera sobre el área que tiene la marca "CLAMP" (Abrazadera). Suelte la abrazadera.

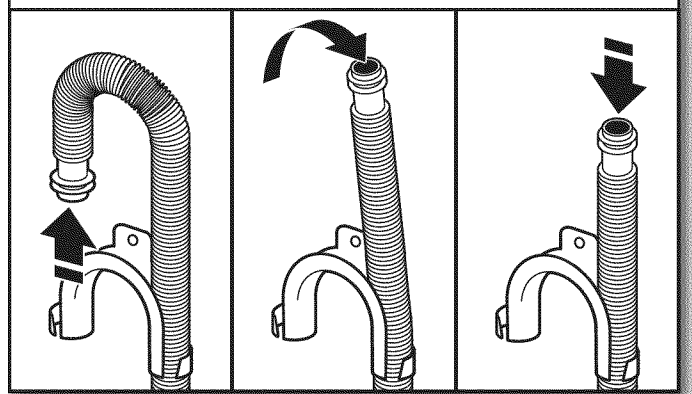
3. Coloque la manguera de desagüe en el tubo vertical



Coloque la manguera dentro del tubo vertical (se muestra en la ilustración) o sobre el lado de la tina de lavadero.

IMPORTANTE: Deberá haber 4,5" (114 mm) de manguera de desagüe dentro del tubo vertical; no fuerce el exceso de la manguera dentro del tubo vertical, ni lo coloque en el fondo de la tina de lavadero. El molde de la manguera de desagüe debe usarse.

4. Quite el molde de la manguera de desagüe (instalaciones con desagüe por el piso únicamente)



Para las instalaciones con desagüe por el piso, necesitará quitar el molde de la manguera de desagüe del extremo de la misma. Puede ser que necesite piezas adicionales con instrucciones por separado. Vea "Herramientas y piezas".

Conecte las mangueras de entrada

La lavadora debe estar conectada a los grifos de agua con mangueras de entrada nuevas y arandelas planas (no provistas). No use mangueras viejas.

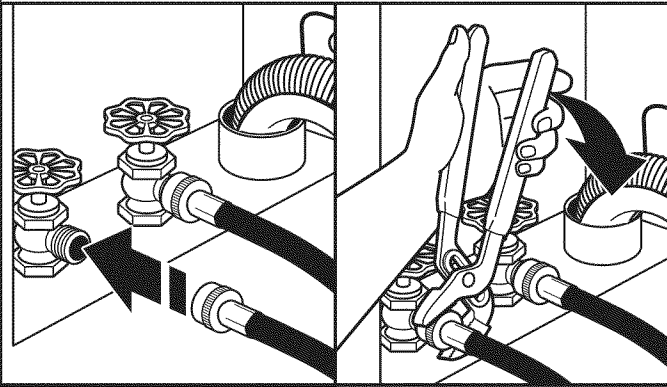
NOTA: Deberán sujetarse ambas mangueras y tener flujo de agua a las válvulas de entrada. Si sólo va a conectar a un grifo de agua fría, deberá utilizar un adaptador en Y (no incluido).

1. Inserte una arandela en cada manguera



Inserte las nuevas arandelas para manguera (no suministradas) en cada extremo de las mangueras de entrada. Asiente firmemente las arandelas en los acoplamientos.

2. Conecte las mangueras de entrada a los grifos del agua

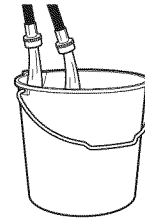


Sujete una manguera al grifo de agua caliente. Atornille el acoplamiento con la mano hasta que se asiente en la arandela. Usando las pinzas, apriete los acoplamientos dos tercios de vuelta adicional. Repita este paso con la segunda manguera para el grifo de agua fría.

IMPORTANTE: No apriete la válvula en exceso ni use cinta o selladores en la misma. Se pueden dañar las válvulas.

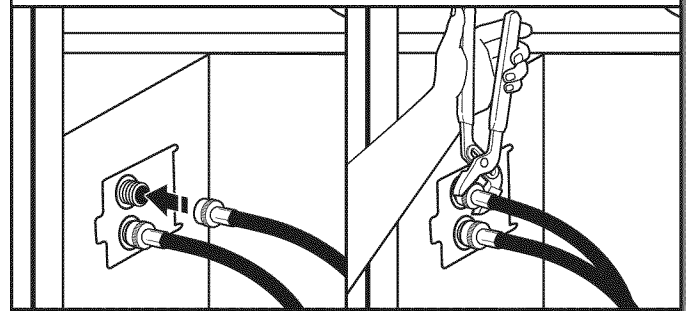
CONSEJO ÚTIL: Para ayudar a conectar las mangueras a la lavadora correctamente, tome nota de cuál de las mangueras está conectada al agua caliente. En la mayoría de las configuraciones estándar, las mangueras se cruzarán cuando estén sujetas correctamente.

3. Despeje las líneas de agua



Deje correr agua por algunos segundos por las mangueras, a una tina de lavadero, tubo de desagüe o cubeta para evitar que se obstruya. El agua debe correr hasta que salga limpia.

4. Conecte las mangueras de entrada a la lavadora

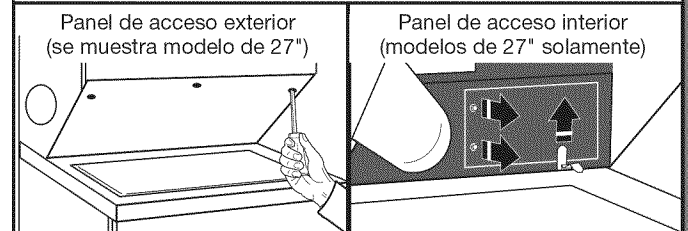


Sujete la manguera de agua caliente a la válvula de entrada inferior. Atornille el acoplamiento a mano hasta que quede apretado. Use pinzas para apretar los acoplamientos dos tercios de vuelta adicional. Repítalo con la válvula de entrada del agua fría (válvula superior).

IMPORTANTE: Reemplace las mangueras de entrada después de 5 años de uso para reducir el riesgo de que fallen. Para consulta en el futuro, anote en las mangueras la fecha de instalación o la fecha de reposición de las mismas.

- Inspeccione periódicamente y reemplace las mangueras si aparecen bultos, torceduras, cortaduras, desgaste o fugas.

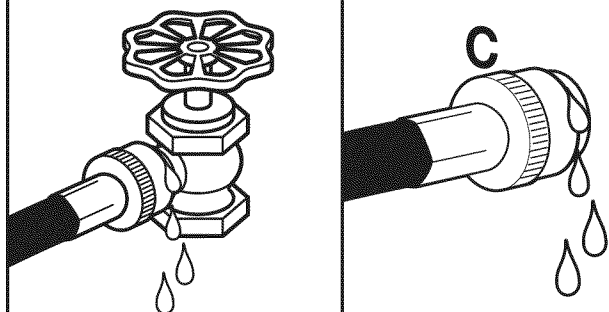
5. Mueva la lavadora/secadora a su posición final



Si usted está trabajando en un clóset o en un área empotrada: mueva la lavadora/secadora hacia su ubicación final y saque la pieza de cartón de debajo de la lavadora/secadora. Quite el panel de acceso exterior desatornillando 2 tornillos (modelos de 24") o 3 tornillos (modelos de 27") Phillips y un tope (modelos de 27" solamente), ubicados en la parte superior del panel de acceso. Quite el panel de acceso interior (modelos de 27" solamente) sacando el sujetador, la cubierta y 2 tornillos. Deje a un lado los paneles, los tornillos, el sujetador, la cubierta del panel de acceso interior y el tope. Complete la conexión de mangueras de agua y el ducto. Vuelva a colocar los paneles de acceso una vez que haya terminado la instalación de la lavadora/secadora.

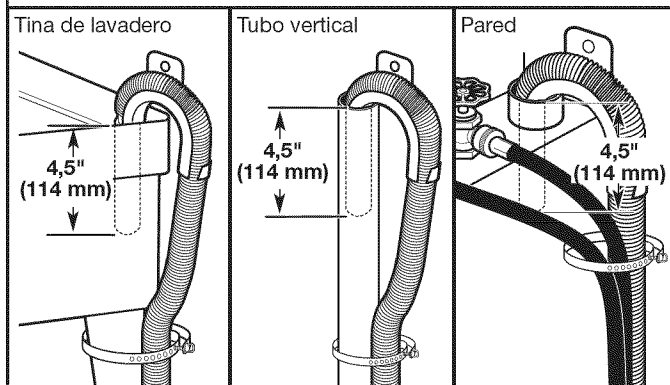
Conecte el ducto de escape

6. Revise si hay fugas



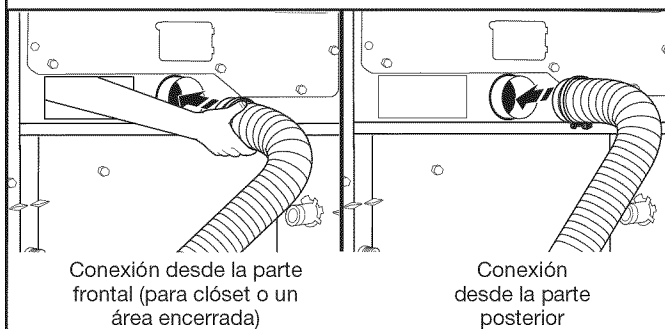
Abra los grifos del agua para revisar si hay fugas de agua. Una pequeña cantidad de agua podría entrar en la lavadora. Ésta se desaguará más tarde.

7. Asegure la manguera de desagüe



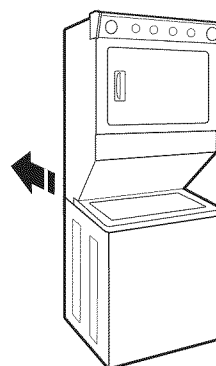
Asegure la manguera de desagüe a la pata del lavadero, al tubo vertical o a las mangueras de entrada para el tubo vertical de pared, utilizando el fleje de embalaje que se quitó previamente (modelos de 27") o el fleje de plástico incluido en el paquete de piezas (modelos de 24").

1. Conecte el ducto de escape a la salida de escape (se muestra el modelo de 27")



Usando una abrazadera de 4" (102 mm), conecte el ducto de escape a la salida de aire en la secadora. Si se conecta a un ducto de escape existente, asegúrese de que el mismo esté limpio. El ducto de escape de la secadora debe encajar sobre la salida de aire de la secadora y dentro de la capota de ventilación. Cerciórese de que el ducto de escape esté asegurado a la capota de ventilación con una abrazadera de 4" (102 mm).

2. Mueva la lavadora/secadora a su posición final



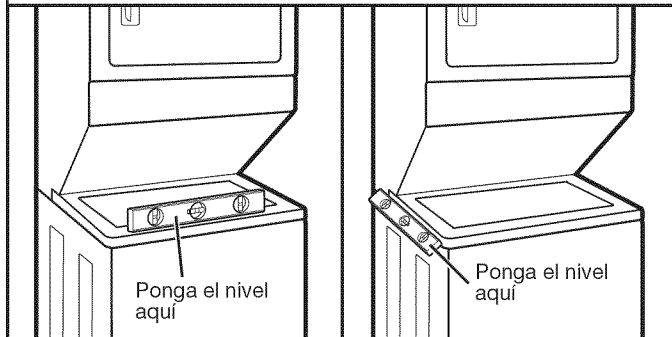
Traslade la lavadora/secadora hacia su ubicación final, teniendo cuidado de no aplastar ni torcer el ducto de escape.

Después de que la lavadora/secadora se encuentre en su ubicación final, quite los esquinales y el cartón que están debajo de la misma.

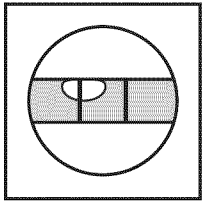
Nivelación de la lavadora/secadora

IMPORTANTE: El nivelar adecuadamente su lavadora/secadora reduce el ruido y la vibración en exceso.

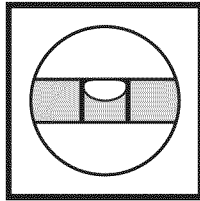
1. Revise la nivelación de la lavadora/secadora



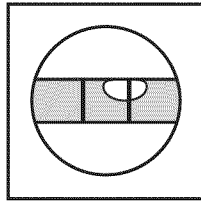
Con la lavadora/secadora en su ubicación final, coloque un nivel en los bordes superiores de la misma. Use la hendidura lateral como una guía para revisar la nivelación de los lados. Revise la nivelación del frente usando la tapa, como se muestra. Balancee la lavadora/secadora hacia delante y hacia atrás para asegurarse de que las 4 patas hagan contacto firme con el piso. Si la lavadora/secadora está nivelada, saltee al paso 3 (modelos de 27") o al paso 4 (modelos de 24").



No está nivelada

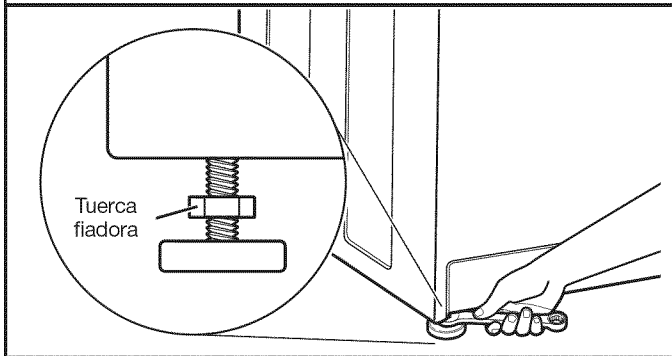


NIVELADA



No está nivelada

2. Cómo ajustar las patas niveladoras (se muestra el modelo de 27")



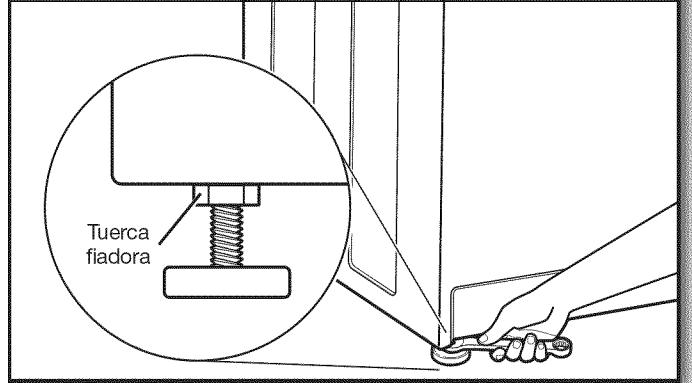
Si la lavadora/secadora no está nivelada, puede apuntalar el frente de la lavadora/secadora aproximadamente 4" (102 mm) con un bloque de madera o un objeto similar que vaya a soportar el peso de la lavadora/secadora.

En los modelos de 27", use una llave de boca o una llave ajustable de 9/16" ó 14 mm para girar las tuercas fiadoras hacia la derecha sobre las patas, hasta que estén a aproximadamente 1/2" (13 mm) de la carcasa de la lavadora/secadora. Luego gire la pata niveladora hacia la derecha para bajar la lavadora/secadora, o hacia la izquierda para levantarla.

En los modelos de 24", ajuste las patas niveladoras hacia arriba o hacia abajo según sea necesario.

En todos los modelos, quite el bloque de madera y baje la lavadora/secadora. Revise la nivelación de la lavadora/secadora nuevamente y repita el procedimiento según sea necesario.

3. Apriete las patas niveladoras (modelos de 27")



Una vez que la lavadora/secadora esté nivelada, use una llave de boca de 9/16" o 14 mm, o bien una llave ajustable, para girar las tuercas fiadoras en las patas niveladoras hacia la izquierda y apretarlas con firmeza contra la carcasa de la lavadora/secadora.

CONSEJO ÚTIL: Puede apuntalar la lavadora/secadora con un bloque de madera.

⚠ ADVERTENCIA



Peligro de Choque Eléctrico

Conecte a un contacto de pared de conexión a tierra de 3 terminales.

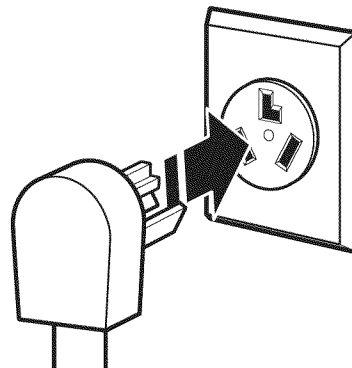
No quite la terminal de conexión a tierra.

No use un adaptador.

No use un cable eléctrico de extensión.

No seguir estas instrucciones puede ocasionar la muerte, incendio o choque eléctrico.

4. Conecte a un contacto de pared de conexión a tierra de 3 ó 4 terminales



Lista de control para la realización de la instalación

- Revise para cerciorarse de que todas las piezas estén instaladas. Si hay alguna pieza extra, vuelva a revisar todos los pasos para ver cuál se omitió.
- Verifique si tiene todas las herramientas.
- Deshágase de todos los materiales de embalaje o recícelos. Guarde la espuma de plástico en el caso de que deba transportar la lavadora/secadora.
- Revise la localización final de la lavadora/secadora. Asegúrese de que el ducto de escape no esté aplastado o retorcido.
- Verifique si la lavadora/secadora está nivelada y las patas niveladoras delanteras son apretadas. Vea "Nivelación de la lavadora/secadora".
- Para una instalación con cable de suministro de energía, enchufe en un contacto a tierra. Para una instalación con cableado directo, encienda el suministro de energía.
- Revise para cerciorarse de que los grifos de agua estén abiertos.
- Revise si hay pérdidas de agua alrededor de los grifos y las mangueras de entrada.
- Quite la película protectora que está en la consola y cualquier cinta adhesiva restante que esté en la lavadora/secadora.
- Lea el Manual de uso y cuidado de la lavadora/secadora.
- Limpie el interior del tambor de la secadora meticulosamente con un paño húmedo para quitar residuos de polvo.
- Para probar y limpiar su lavadora, mida la mitad de la cantidad recomendada del detergente y viértalo en la canasta de la lavadora. Cierre la tapa. Seleccione el ciclo HEAVY (pesado), y luego jale la perilla de control de ciclos. Deje que termine un ciclo completo.
- Para probar la secadora, fije la secadora en un ciclo completo de calor (no en un ciclo de aire) por 20 minutos y póngala en marcha.

Si la secadora no funciona, revise lo siguiente:

- Que los controles estén fijados en una posición de funcionamiento o encendido ("On").
- Que se ha presionado con firmeza el botón de PUSH TO START (Empuje al comienzo).
- Que la lavadora/secadora esté conectada en un contacto con conexión a tierra.
- Que el suministro de energía eléctrica está encendido.
- Que el fusible de la casa esté intacto y ajustado, o que no se haya disparado el cortacircuitos.
- Que la puerta de la secadora esté cerrada.
- Después de que la secadora haya estado funcionando durante 5 minutos, abra la puerta y fíjese si está caliente.

Si no está caliente, apague la secadora y revise lo siguiente:

- Posiblemente hayan 2 fusibles o cortacircuitos domésticos para la secadora. Revise para asegurarse de que ambos fusibles estén intactos y ajustados, o que ambos cortacircuitos no se hayan disparado. Si después de esto todavía no calienta, póngase en contacto con un técnico competente.

NOTA: Cuando caliente la secadora por primera vez quizás sienta un olor. Este olor es común cuando se usa por primera vez el elemento de calefacción. El olor desaparecerá.

Notas

Notas

