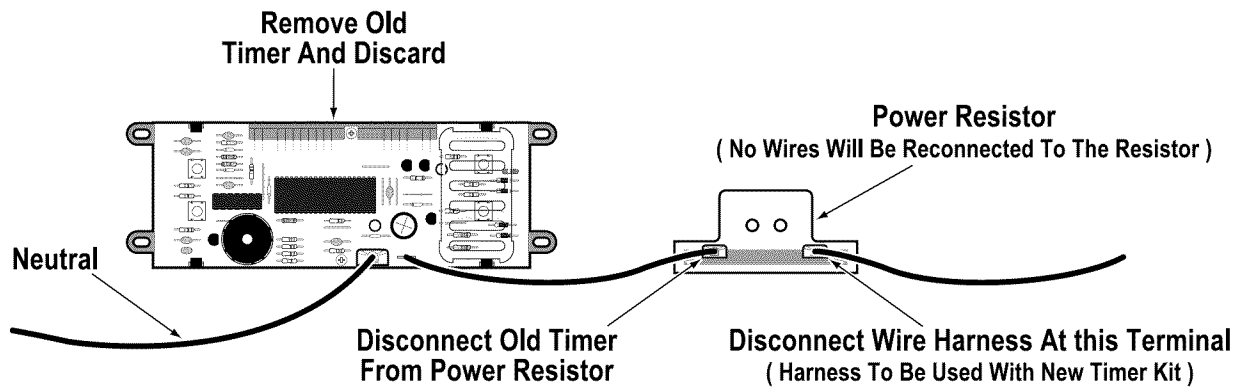


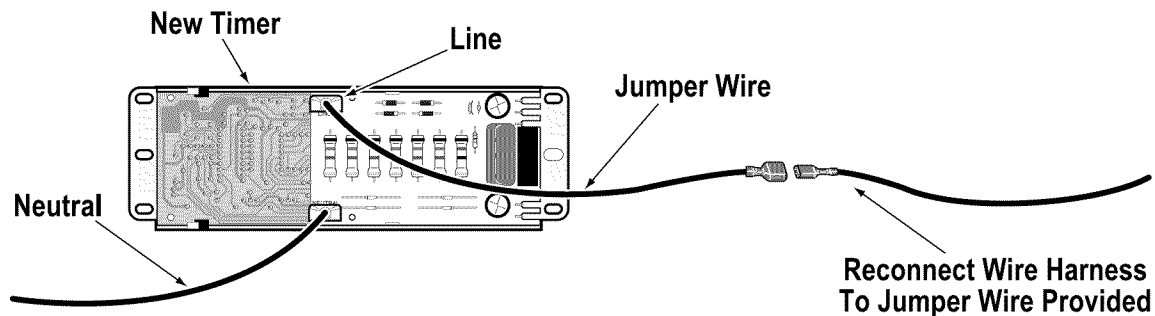
# INSTALLATION INSTRUCTIONS

(WB50T10046, WB50T10048, WB50T10050, AND WB50T10052 Service Kits)



## To Remove the old Time-of-Day (TOD) Clock

1. De-energize power circuit and unplug the range.
2. Lift up cooktop panel and lock into position with prop rod.
3. Locate the screws that secure the controls access cover to the range body.
4. Remove screws and access cover and set aside.
5. Remove wires to TOD clock and power resistor (wired to TOD clock).
6. Remove TOD clock and save the screws.



## To Install the New TOD CLOCK

1. Center and attach the new overlay onto the new TOD clock, if not already attached (do not use overlay from old TOD).
2. Install new TOD clock into position using the 4 screws.
3. Connect the kit jumper wire to the harness wire that was attached to the power resistor. Cover any exposed metal areas on the terminals with a high-temperature insulation tape.
4. Attach the other end of the jumper wire to the "line" tab on the TOD.
5. Attach the neutral wire to the "neutral" tab on the TOD.
6. Replace access cover after verifying no wires are pinched.
7. Plug in range and power up circuit.
8. Verify proper operation of the TOD clock.

Pub No. 31-10442

229C4053P427

WB00X6965