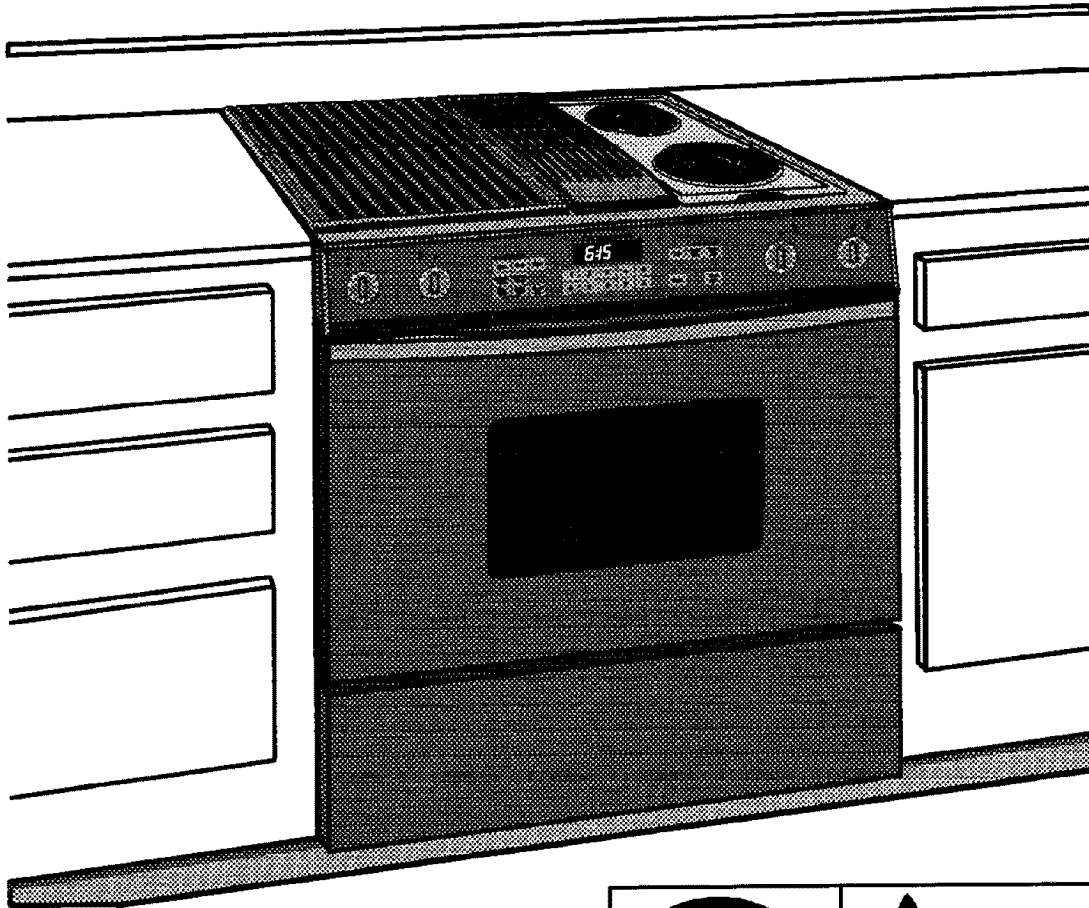


INSTALLATION INSTRUCTIONS

Range
Models SVE47600, SVE47500,
SVE47100, SCE30600, SCE30500

JENN-AIR
403 WEST FOURTH STREET, NORTH • NEWTON, IA 50208

INSTRUCTIONS TO INSTALLER: "Important: Save for local electrical inspector's use".



Range Overall Dimensions:

Width – 29-15/16" (76.04 cm)

Depth – 26-3/8" (70.00 cm)

Height – 35-1/2" (90.17 cm)

*Add 2" (5.08 cm) for door handle



WARNING

- ALL RANGES CAN TIP AND CAUSE INJURIES TO PERSONS.
- INSTALL ANTI-TIP DEVICES PACKED WITH RANGE.
- FOLLOW ALL INSTALLATION INSTRUCTIONS.

ELECTRICAL SPECIFICATIONS: 120/240 VAC OR 120/208 VAC 60 Hz 50 amp circuit protection recommended, 40 amp minimum required. Wire size: For 50 amp service use #6 60°C or #8 75°C (copper only) three or four conductor, for 40 amp service use #8 (copper only) three or four conductor.

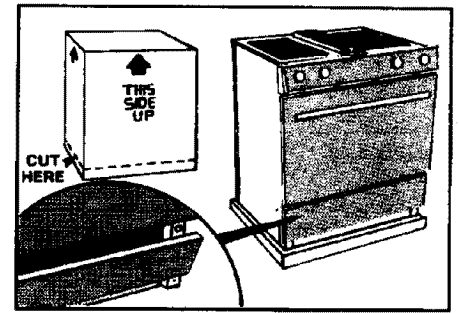
ELECTRICAL CONNECTION: Unit to be properly circuit protected and wired according to local electrical code and national electric code. Unit power requirements located on serial plate on front of range.

8101P265-60
(06-99-01)

1. Unpack Range (Figure 1)

- Cut and remove shipping carton.
- Remove lower range panel or drawer, and place out of work area.
- Remove blower package (if you have not already done so.) (Downdraft Models Only.)
- Locate Ducting Instruction sheet. (Downdraft Models Only.)

NOTE: Please read through entire installation instructions and ducting instructions prior to beginning installation.

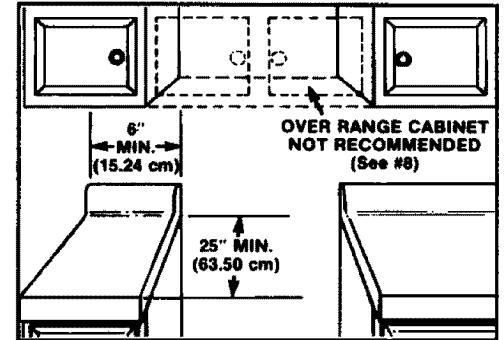


(Figure 1)

2. Select Range Location (Figure 2)

- Carefully select the range location, keeping in mind the following:
 - A. Over-range cabinets are not recommended. However, if necessary, see #8.
 - B. Make sure electrical power can be provided. (See #13.)
 - C. For downdraft ranges plan the range ducting system. (Per #'s 9-12 and ducting instructions.)
 - D. Make sure there is adequate space. (See #'s 4, 5, 6, and 7.)
 - E. Island or peninsular installations with 24" deep base cabinet must use flush back (no rear toe space) cabinets to avoid range interference. If a rear toe space is desired, use 27" or deeper base cabinets.

NOTE: This range complies with UL requirements for "1" clearance from the range to adjacent vertical side walls and 7/8" from rear vertical wall. Abnormal surface unit operation (high heat and no utensils) could result in possible scorching of vertical walls and pose a potential fire hazard. Therefore, a 6" (15.24 cm) minimum spacing is recommended. On Downdraft models 6" spacing is required for proper ventilation. (See illustration.)

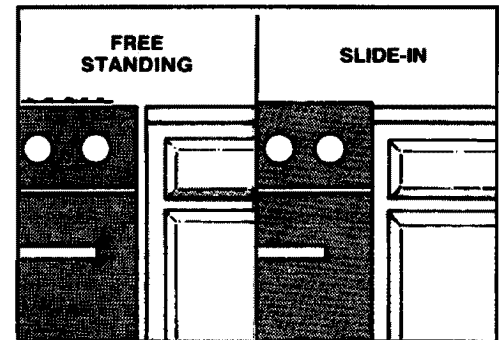


(Figure 2)

3. Type of Installation (Free-Standing/Slide-In) (Figure 3)

- Will range be free-standing? (Range setting on floor.) If so, go to #7.
- Will range be slide-in? (Range top rests on countertop.) If so, go to #4.
- These appliances have been designed in accordance with the requirements of various safety agencies and comply with the maximum allowable wood cabinet temperatures of 194°F. If these appliances are installed with cabinets that have a lower working temperature than 194°F, discoloration, delamination or melting may occur.

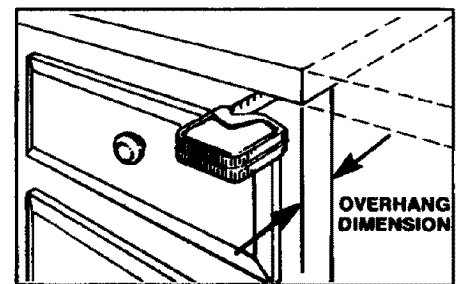
NOTE: Slide-in cutout does not allow for use of backsplash or side panels. If either are desired, use the free-standing cutout and instruction.



(Figure 3)

4. Measure for Slide-In Cutout (Figure 4)

- Most standard counters are 25" (63.50 cm) deep, 36" (91.44 cm) high, and extend 1" (2.54 cm) over the cabinet front.
- Measure the countertop and overhang.

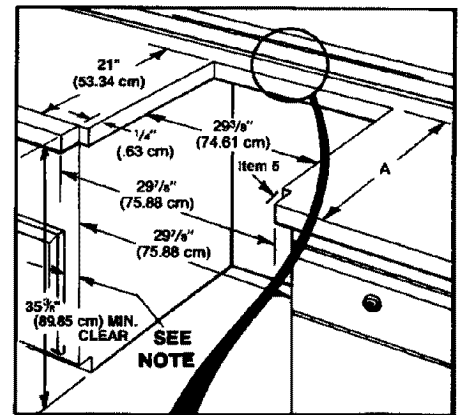


(Figure 4)

5. Slide-In Cutout (Figure 5)

- Use the overhang measurement to figure the "A" dimension:
Overhang 1/2" (1.27 cm) to 1" (2.54 cm) "A" = 22-5/8" (57.47 cm)
Overhang 1" (2.54 cm) to 1-3/4" (4.45 cm) "A" = 23" (55.42 cm)
- Carefully mark the countertop and recheck your dimensions.
- Before you cut, check the rear countertop dimensions. (See #6.)

NOTE: The minimum clearance between the cutout and cabinet doors and drawer edge is 7/8".



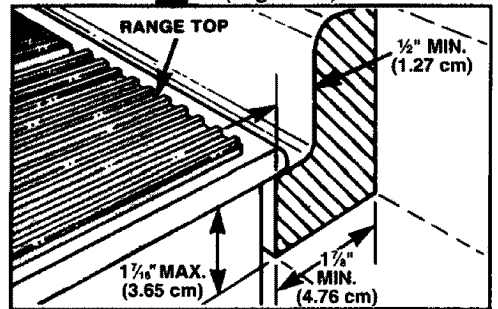
(Figure 5)

6. Slide-In Cutout (Figure 6)

- Check your marked up dimensions carefully. The rear dimensions shown in the illustration must be maintained.

NOTE: Where this is not done, it will be necessary to relieve a portion of the underside of the countertop and/or support members to clear the range rear panel.

- Cutting tolerance is = 1/6 (.16 cm.)
- Carefully make the cutout.



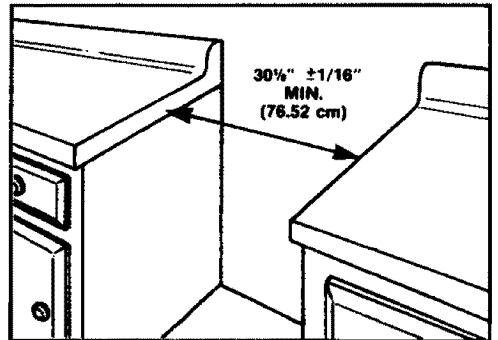
(Figure 6)

7. Free-Standing Cutout (Figure 7)

- 30-1/8" (76.52 cm) minimum clearance is required.
- Carefully mark the countertop, recheck your dimensions and make the cutout.

NOTE: Range side panels may be desirable if the cutout is too large or cabinets are on one side of the range only.

- Proceed to step 8.



(Figure 7)

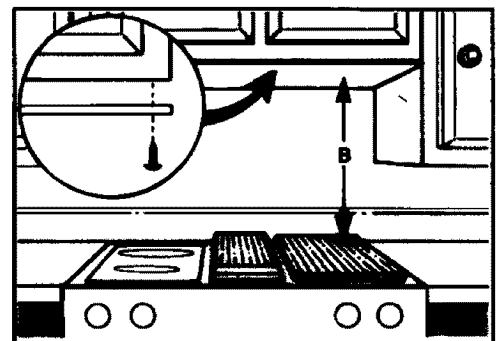
8. Over-Range Cabinets (Figure 8)

- To eliminate the hazard of reaching over a heated surface unit, cabinet storage space above the range should be avoided. If cabinet storage is to be provided, the risk can be reduced by installing a range hood that projects horizontally a minimum of 5 inches beyond the bottom of the cabinets. However, if over-range cabinets are necessary, observe the following:

B = 30" (76.2 cm) minimum clearance between the top of the cooking platform and the bottom of an unprotected wood or metal cabinet.

B = 24" (60.96 cm) minimum when bottom of wood or metal cabinet is protected by not less than 1/4" (0.635 cm) FLAME RETARDANT millboard covered with not less than No. 28MSG sheet steel, 0.015" (0.038 cm) stainless steel, 0.024" (0.061 cm) aluminum or copper.

NOTE: If you are NOT installing a downdraft unit, skip to step 13.



(Figure 8)

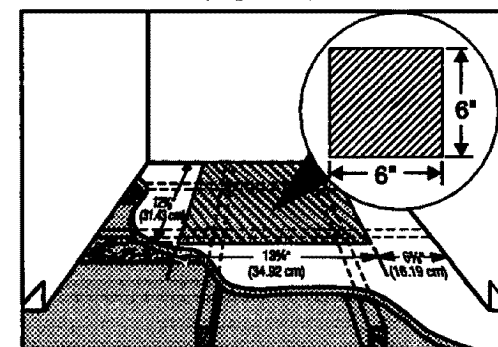
9. Measure For Floor Vent

- If unit will be vented through the wall, go to #11.
- If floor will be concrete slab, see enclosed ducting instructions.
- For let and right hand venting through cabinet toe space, see special instructions on pages 7 & 8.

NOTE: Optimum center line vent location is 11" to 17" from edge of cabinet. Vents located less than this distance will require the unit to be raised over blower for installation.

10. Floor Vent Cutout (Figure 10)

- Check the direction of the floor joists (see illustration.)
- Locate 6" square cutout anywhere within shaded area.
The cutout must miss the floor joists!
- Recheck your dimensions and make the cutout.
- Skip to Step #12.



(Figure 10)

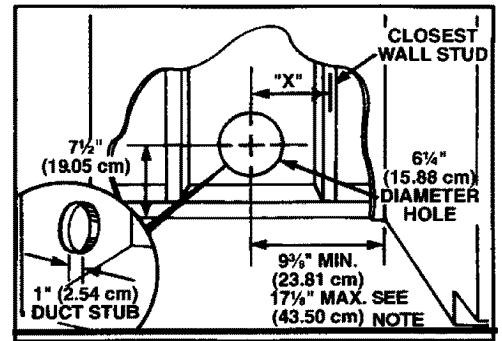
11. Wall Vent Cutout (Figure 11)

- Locate the vertical studs in the rear wall. Studs are usually 16" (40.64 cm) center to center.
- Will the vent duct be 6" (15.24 cm) round through the wall or 3-1/4" x 10" (8.26 cm x 25.4 cm) rectangle, vertically inside the wall?
- See Ducting Instructions for rear duct inside the wall. **Note:** Cutout in the wall must clear 3-1/4" x 10" (8.26 cm x 25.4 cm) transition elbow.
- Locate the closest stud to your proposed vent hole location. Use the following chart to figure the "X" dimension. See the illustration for the other dimensions.

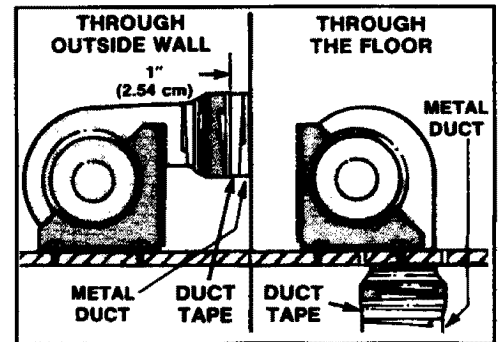
VERTICAL DUCT INSIDE WALL		
	6" Round (15.24 cm)	3-1/4" x 10" (8.26 cm x 25.4 cm)
"X" MINIMUM	4" (10.16 cm)	6" (15.24 cm)

- A 1" (2.54 cm) length of duct must protrude through the wall for connection to the blower.

NOTE: Optimum vent location is 11" to 17" from edge of cabinet. Vents located from 9-3/8" to 11" will require unit to be raised over blower for installation.



(Figure 11)



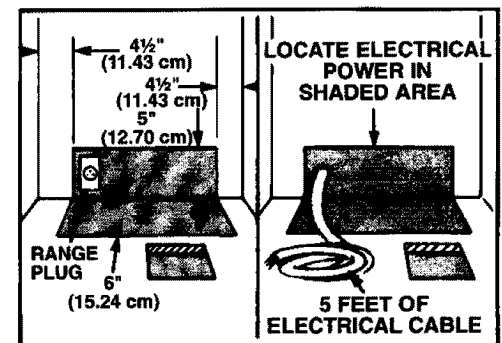
(Figure 12)

12. Install Blower (Prior To Installing Range) (Figure 12)

- Refer to your vent plan. It may be desirable to attach part of the ducting to the blower before it is installed.
- Position the blower (see illustration) and attach it to the floor with at least two (2) screws.
- Apply duct tape around blower exhaust/duct joint.

13. Install Electrical (Figure 13)

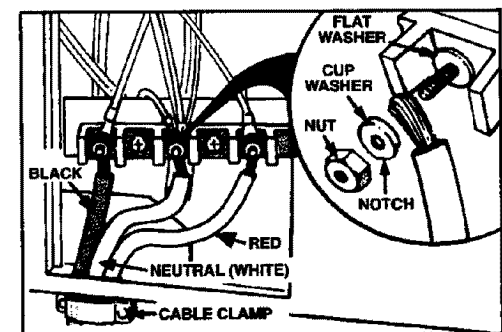
- **Note:** Observe all local electrical codes.
- **CAUTION:** Make sure power to cable is OFF.
- Locate the electric power supply in the floor or wall, any place in the shaded area which will clear the blower.
- Direct Connect: Pull through 5' (152.4 cm) of electrical cable.
- Range Cord: Canadian units are equipped with a range cord. Install a corresponding receptacle.
- Use three or four conductor copper standard power cable (see front cover for proper wire size.) If four conductor wire is used, see #15 for connection to range.
- See front cover of these instructions for proper supply connection.



(Figure 13)

14. Connect Electrical (Three Conductor Wire) (Figure 14)

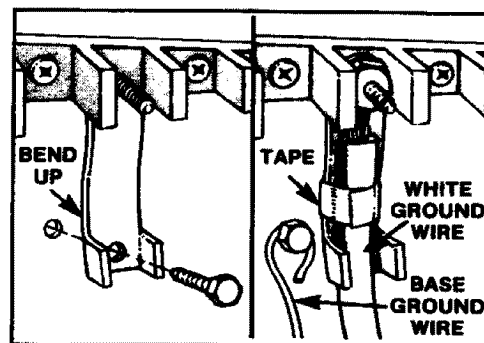
- **CAUTION:** Make sure power to cable is OFF.
- Remove the range electrical service cover, located on the back, lower left-hand corner.
- Install a 3/4" (1.91 cm) clamp in the hole provided below the terminal block.
- Strip 3" (7.62 cm) of outer insulation from the cable.
- Strip 1/2" (1.27 cm) of insulation from each wire.
- Pull the cable through the cable clamp. Attach the BLACK, RED, and WHITE wires (see illustration.) Tighten the terminal block nuts and the cable clamp and install cover.
- On ranges equipped with a range cord, plug the cord into its receptacle.
- Skip to Step #16.



(Figure 14)

15. Connect Electrical (Four Conductor Wire) (Figure 15)

- **CAUTION:** Make sure power to cable is OFF.
- Remove the range electrical service cover, located on the back, lower left-hand corner.
- Remove the ground strap screw and bend the strap up as shown. Install a 3/4" (1.91 cm) cable clamp in the hole provided, below the terminal block.
- Strip 3" (7.62 cm) of outer insulation from the cable.
- Strip 1/2" (1.27 cm) of insulation from each wire.
- Pull the cable through the cable clamp.
- Make a loop in the bare ground wire and attach it to the range with the screw that held the ground strap.
- Attach the BLACK, RED, and WHITE wires (see #14.) Tighten the terminal block nuts and the cable clamp.
- Tape the ground strap to the WHITE wire as shown. Install electrical cover.



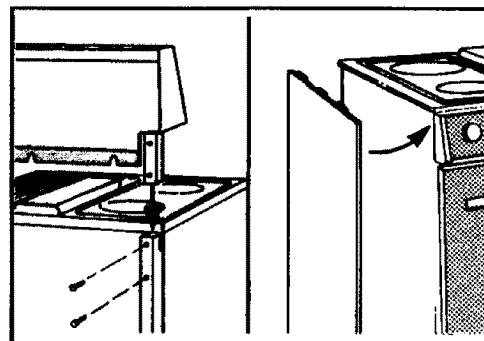
(Figure 15)

16. Install Options (Figure 16)

- If the backsplash or side panels are to be used, install according to instructions included in those accessories.

17. Position Range (Figure 17)

- **Free-Standing.** Adjust the range feet so the range and cabinet height will be approximately the same. Slide the range into place, taking care not to damage floor covering.
- **Slide-In.** Adjust range feet so that range top clears countertop. Slide/lift range into place. Adjust feet so range is adjacent to countertop surface.



(Figure 16)

18. Anti-Tip Device Installation

NOTE: A risk of range tip over exists if the appliance is not installed in accordance with the installation instructions provided. The proper use of these devices minimizes the risk of TIP-OVER. In using these devices the consumer must still observe safety precautions as stated in the USE and CARE MANUAL and avoid using the oven door and/or lower drawer as a step stool.

Instructions are provided for installation in either a wood or concrete floor. Any other type of construction may require special installation techniques as deemed necessary to provide adequate fastening of the ANTI-TIP bracket to the floor.

STEP 1 – Locating The Brackets

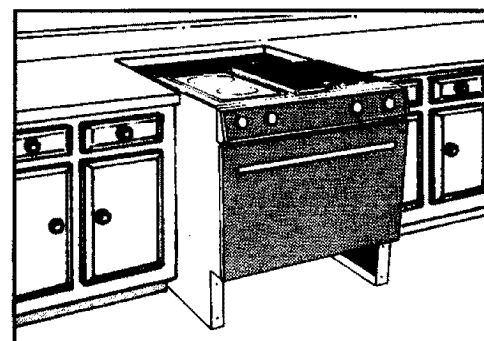
- Place the unit in its final location.
- Remove the storage drawer or lower door panel (depending on model being installed.)
- Mark the floor at the right and left where the range front meets the floor.
- **NOTE:** Protect the floor with masking tape prior to marking.
- Remove the range for access to the bracket mounting positions. Use care to avoid damage to floor.
- Draw a line on the floor at the back of the cutout which is offset 23-5/16" from the marks made at the front of the range (see illustration.)
- Locate the center (side to side) of the cutout. See illustration for free-standing and slide-in dimensions.
- Position brackets 13-7/8" from center line and flush to the back line as shown in the illustration.
- Use the bracket to mark holes for drilling. Proceed to STEP 2.

STEP 2 – Installing The Brackets

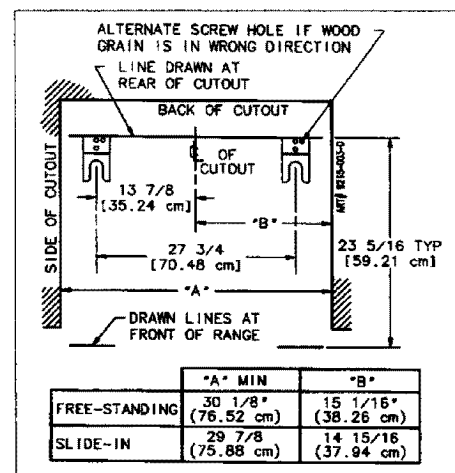
- **Wood Construction:** Drill a 1/8" pilot hole in the center of each of the marked hole positions (a nail or awl may be used if a drill is not available.) Secure the ANTI-TIP brackets with the screws provided. Proceed to STEP 3.
- **Cement or Concrete Construction:** Suitable screws for concrete construction can be obtained at a hardware store. Drill the required size hole for the screw obtained in the center of each of the marked hole positions. Secure the ANTI-TIP brackets to the floor.

STEP 3 – Range Installation

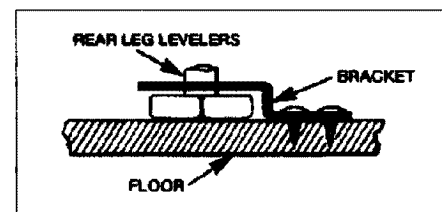
- Align the range to its designated location and slide it back into position. Make sure that the rear leveling feet are fully inserted into and secured by the ANTI-TIP brackets. **NOTE:** Leg levelers must be screwed out 1-1/2 turns.



(Figure 17)

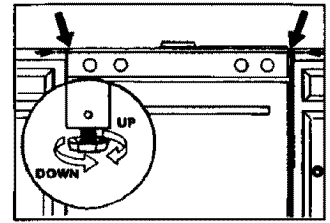


(Figure 18)



19. Level Range (Figure 19)

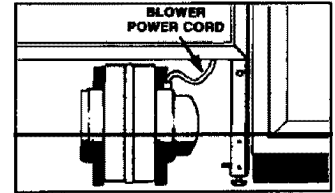
- **Free-Standing.** Adjust the leveler feet to level range with the countertop.
- **Slide-In.** Adjust the leveler feet to take some of the weight off of the countertop.
- Unit must be level for optimum baking performance. Check levelness inside oven using a level that is placed on oven rack.
- For non-downdraft units go to step 22.



(Figure 19)

20. Connect Blower Electrical (Downdraft Units Only) (Figure 20)

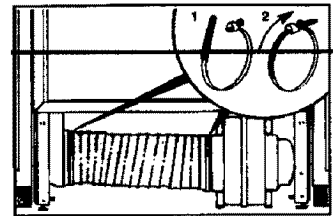
- Connect the blower power cord on the range to the blower (see illustration.)



(Figure 20)

21. Install Flex Duct (Downdraft Units Only) (Figure 21)

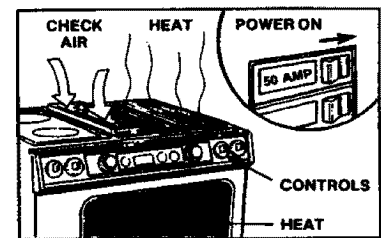
- Attach the flex duct to the blower and range (see illustration.) Using a screwdriver, securely tighten duct clamp at each connection.



(Figure 21)

22. Check Operation (Figure 22)

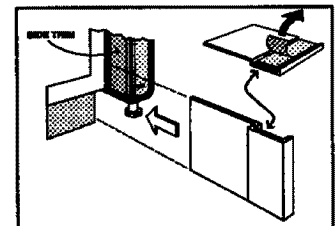
- Unpack and install grill element in one side and optional cooking cartridge in other side.
- Be sure to remove all packaging materials from unit prior to applying power.
- Switch the electrical circuit breaker to the ON position.
- Consult Use & Care Manual for operation.
- Check range top elements. Fan comes on automatically when grill is turned on, cooking cartridge does not energize fan automatically.
- Check oven.
- Check vent fan.
- With vent fan on, check all vent duct connections to the outside to make sure there are no air leaks. Verify proper airflow with airflow card.



(Figure 22)

23. Install Lower Left and Right Side Toe Plates (Figure 23)

- Pull protective backing from tape.
- Set side plate on floor guide plate between cabinet and range until plate is positioned over the side trim. Press plate against side trim on range to insure tape has bonded.
- For Non-Downdraft units, finish your installation by replacing the drawer.

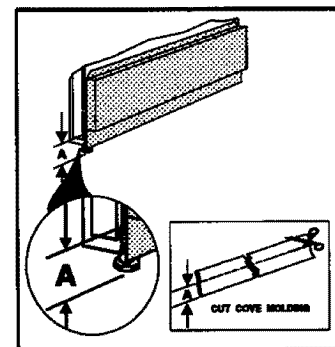


(Figure 23)

24. Install Access Panel and Lower Adjustable Panel (Figure 24)

- After checking for air leaks at duct connections, install the lower range door.
- Measure the distance between the lower panel clip and the floor. Dimension "A".
- Cut cove molding (provided on some units – see Note 2) to this Dimension "A".
- Insert cove molding (or other selected material) into lower panel clip.

- NOTE:**
- 1) It will be easier to attach the cove molding if the access door is removed from the range.
 - 2) To match your installation, various colors of cove molding may be purchased from any building supply store.



(Figure 24)

25. Install Jars (Downdraft Units Only) (Figure 25)

- Open access panel.
 - Place drain jars into their holders located behind the front legs of the range.
- NOTE:** On units with one side grilling, only one drain jar is supplied.



(Figure 25)

Special Instructions For Venting Grill-Ranges Through Cabinet Toe Space

Additional instructions for venting through the base cabinet toe space on either side of the range when it is not possible to vent through the floor or through a rear wall.

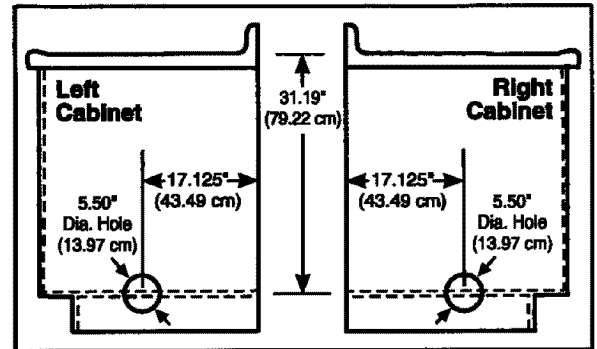
Additional Materials Required

1. 5" Dia. x 19" long (12.7 cm x 48.26 cm) Flex Duct* (P/N 702935)
1. 6" (15.24 cm) 90° Elbow
2. Hose Clamps* (P/N 702331)
1. 5" to 3-1/4" x 10" (12.7 cm to 8.26 cm x 25.4 cm) Transition*
2. Wood Spacers (right side vent only) 1-1/2" Thick x 9" Long (3.81 cm x 22.86 cm)

*See your local dealer or authorized service contractor for these accessories.

Step 1

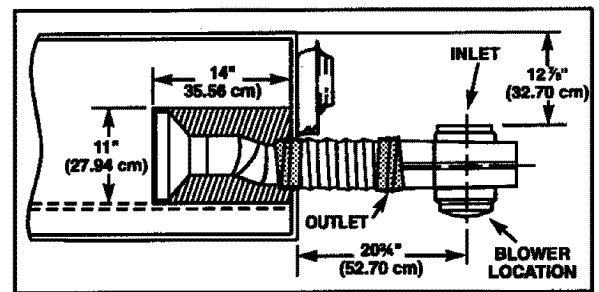
Cut a hole in either the left or right side of the cabinet wall as shown in Figure 1.



(Figure 1)

Step 2

Make a cutout in the cabinet floor of either the left or right cabinet as shown by the shaded areas in Figure 2 or Figure 3.



(Figure 2)
Left Cabinet (Top View)

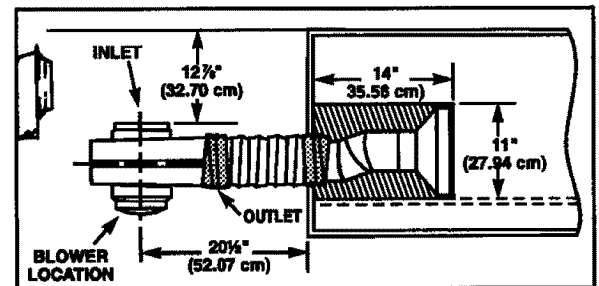
Step 3

Relocate the mounting brackets on the blower housing (see Figure 4.)

NOTE: The mounting bracket shown in Figure 4 are as assembled at the factory for floor or rear wall venting.

A. Right Side Venting

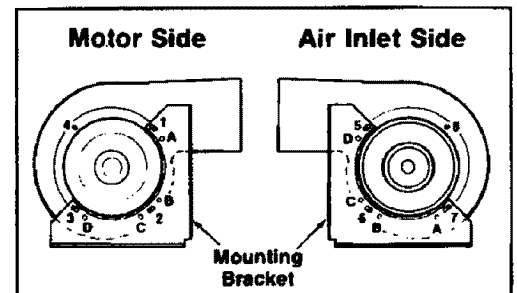
1. Remove nuts from studs 1, 2 and 3 on motor side.
2. Remove bracket and reattach it with studs 1 and 2 inserted in holes A and C and replace all 3 nuts.
3. Remove nuts from studs 5, 6 and 7 on air inlet side.
4. Remove bracket and reattach it with studs 5 and 6 inserted in holes D and B and replace all 3 nuts.



(Figure 3)
Right Cabinet (Top View)

B. Left Side Venting

1. Remove nuts from studs 1, 2, 3 and 4 on motor side.
2. Remove bracket.
3. Rotate motor and cover assembly 180°.
4. Reattach bracket with studs 4 and 1 inserted in holes A and C and replace all 4 nuts.
5. Remove nuts from studs 5, 6, 7 and 8 on air inlet side.
6. Remove bracket and reattach it with studs 8 and 5 inserted in holes D and B and replace all 4 nuts.



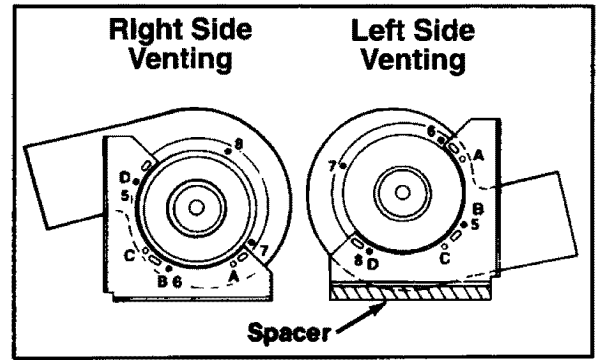
(Figure 4)
Blower Assembly

Step 4

Attach the blower housing to the floor with the outlet toward the direction of venting and the inlet toward the front of the cabinets. (See Figures 2 and 3 for specific location.) In addition, for left side venting, a spacer approximately 1-1/2" thick x 9" long (3.81 cm x 22.86 cm) is required under the mounting bracket flanges of the blower assembly. (See Figure 5.)

Step 5

Remove the inside wire and the outside string from the first 1-1/2 inches (3.81 cm) of one end of the 5" (12.7 cm) flex duct (P/N 702935.) Stretch this end of the flex duct over the end of the 5" to 3-1/4" x 10" (12.7 cm to 8.26 cm x 25.4 cm) transition and secure it with a hose clamp (P/N 702331.)



(Figure 5)
View from Air Inlet Side of Blower

Step 6

When the range is placed into position, feed the open end of the 5" (12.7 cm) flex duct through the hole in the cabinet side wall and through the side of the range, attach it to the outlet of the blower housing and secure it with a hose clamp (P/N 702331.) The transition should then be attached to the 3-1/4" x 10" (8.26 cm x 25.4 cm) ducting in the cabinet toe space through the cabinet floor cutout.

Step 7

Install the 6" (15.24 cm) elbow to the inlet of the blower housing and secure it with duct tape. The open end of the elbow should be pointed to the left. Attach the 6" (15.24 cm) flex duct (provided with the range) to the elbow and to the range. Secure it with 2 hose clamps (P/N 702331.) See Step 21 of the installation instructions.

NOTE: For right side venting, the 6" (15.24 cm) diameter flex duct may be cut in half and use one section instead of the full length, to make it easier to assemble.