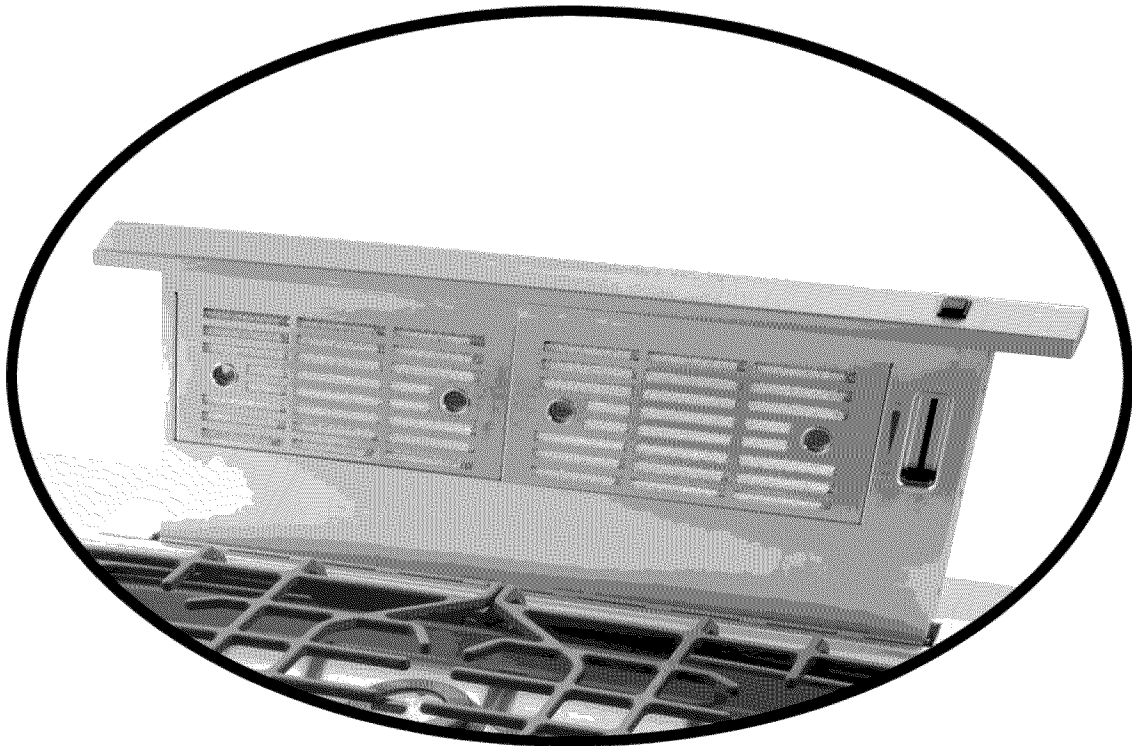


Installation Instructions

Remote Blower Assembly for Telescoping Downdraft Ventilation System
(1600cfm)



Electrolux

2 Finding Information

Table of contents

Finding Information.....	2
Important Safety Instructions.....	3
Shipping Pack.....	5
Dimensions.....	6
Planning.....	7
Installation of Blower Assembly.....	8
Mount Main Housing to Structure.....	9
Installation on Floor Joists.....	10
Installation on Ceiling Joists.....	11
Installation on Wall Studs.....	12
Installation on Exterior Wall.....	13
Electrical Connections.....	14
Verifying Operation and Replacing Cover.....	15
Warranty.....	16



This unit is intended for domestic cooking ONLY.

INSTALLER:

LEAVE INSTRUCTIONS WITH OWNER.

HOMEOWNER:

READ YOUR RETRACTABLE VENTILATION SYSTEM USE & CARE MANUAL. It contains important safety information for operating this appliance. It also has many suggestions for getting the best results from your retractable ventilation system.

Please read & save this guide

Thank you for choosing Electrolux, the new premium brand in home appliances. These *Installation Instructions* are part of our commitment to customer satisfaction and product quality throughout the service life of your new appliance.

We view your purchase as the beginning of a relationship. To ensure our ability to continue serving you, please use this page to record important product information.

Questions?

For toll-free telephone support in the U.S. and Canada:

1-877-4ELECTROLUX (1-877-435-3287)

For online support and Internet production information visit <http://www.electroluxappliances.com>

What you need to know about safety instructions

Warning and Important Instructions appearing in this guide are not meant to cover all possible conditions and situations that may occur. Common sense, caution and care must be exercised when installing, maintaining or operating an appliance.

ALWAYS contact your dealer, distributor, service agent or manufacturer about problems or conditions you do not understand.

Recognize Safety Symbols, Words, Labels

WARNING

WARNING — Hazards or unsafe practices which **COULD** result in severe personal injury or death.

CAUTION

CAUTION — Hazards or unsafe practices which **COULD** result in minor personal injury.

WARNING

TO REDUCE THE RISK OF FIRE, ELECTRIC SHOCK, OR INJURY TO PERSONS, OBSERVE THE FOLLOWING:

- Installation work and electrical wiring must be done by a qualified person(s) in accordance with all applicable codes and standards, including fire-rated construction codes and standards.
- Sufficient air is needed for proper combustion and exhausting of gases through the flue (chimney) of fuel burning equipment to prevent backdrafting. Follow the heating equipment manufacturer's guideline and safety standards such as those published by the National Fire Protection Association (NFPA), and the American Society for Heating, Refrigeration and Air Conditioning Engineers (ASHRAE), and the local code authorities.
- When cutting or drilling into wall or ceiling, do not damage electrical wiring and other hidden utilities.
- Ducted fans must always be vented to the outdoors.
- Use this unit only in the manner intended by the manufacturer. If you have questions, contact the manufacturer.
- Before servicing or cleaning unit, switch power off at service panel and lock the service disconnecting means to prevent power from being switched on accidentally. When the service disconnecting means cannot be locked, securely fasten a prominent warning device, such as a tag, to the service panel.

WARNING

TO REDUCE THE RISK OF FIRE, ELECTRIC SHOCK, OR INJURY TO PERSONS, OBSERVE THE FOLLOWING (continued):

- Blower must not be installed in a ceiling thermally insulated to a value greater than R40.
- Blower must not be installed in furnace ductwork.
- **To reduce the risk of fire, use only metal ductwork.**

TO REDUCE THE RISK OF A RANGE TOP GREASE FIRE:

- Never leave surface units unattended at high settings. Boilovers cause smoking and greasy spillovers that may ignite. Heat oils slowly on low or medium settings.
- Always turn hood ON when cooking at high heat or when cooking flaming foods.
- Clean ventilating fans frequently. Grease should not be allowed to accumulate on fan or filter.
- Use proper pan size. Always use cookware appropriate for the size of the surface element.

4 Important Safety Instructions

WARNING

TO REDUCE THE RISK OF INJURY TO PERSONS IN THE EVENT OF A RANGE TOP GREASE FIRE, OBSERVE THE FOLLOWING*:

- SMOTHER FLAMES with a close-fitting lid, cookie sheet, or metal tray, then turn off the burner. **BE CAREFUL TO PREVENT BURNS.** If the flames do not go out immediately, **EVACUATE AND CALL THE FIRE DEPARTMENT.**
- **NEVER PICK UP A FLAMING PAN** - You may be burned.
- **DO NOT USE WATER**, including wet dishcloths or towels - a violent steam explosion will result.
- Use an extinguisher **ONLY** if:
 - A. You know you have a Class ABC extinguisher, and you already know how to operate it.
 - B. The fire is small and contained in the area where it started.
 - C. The fire department is being called.
 - D. You can fight the fire with your back to an exit.

* Based on "Kitchen Firesafety Tips" published by NFPA.

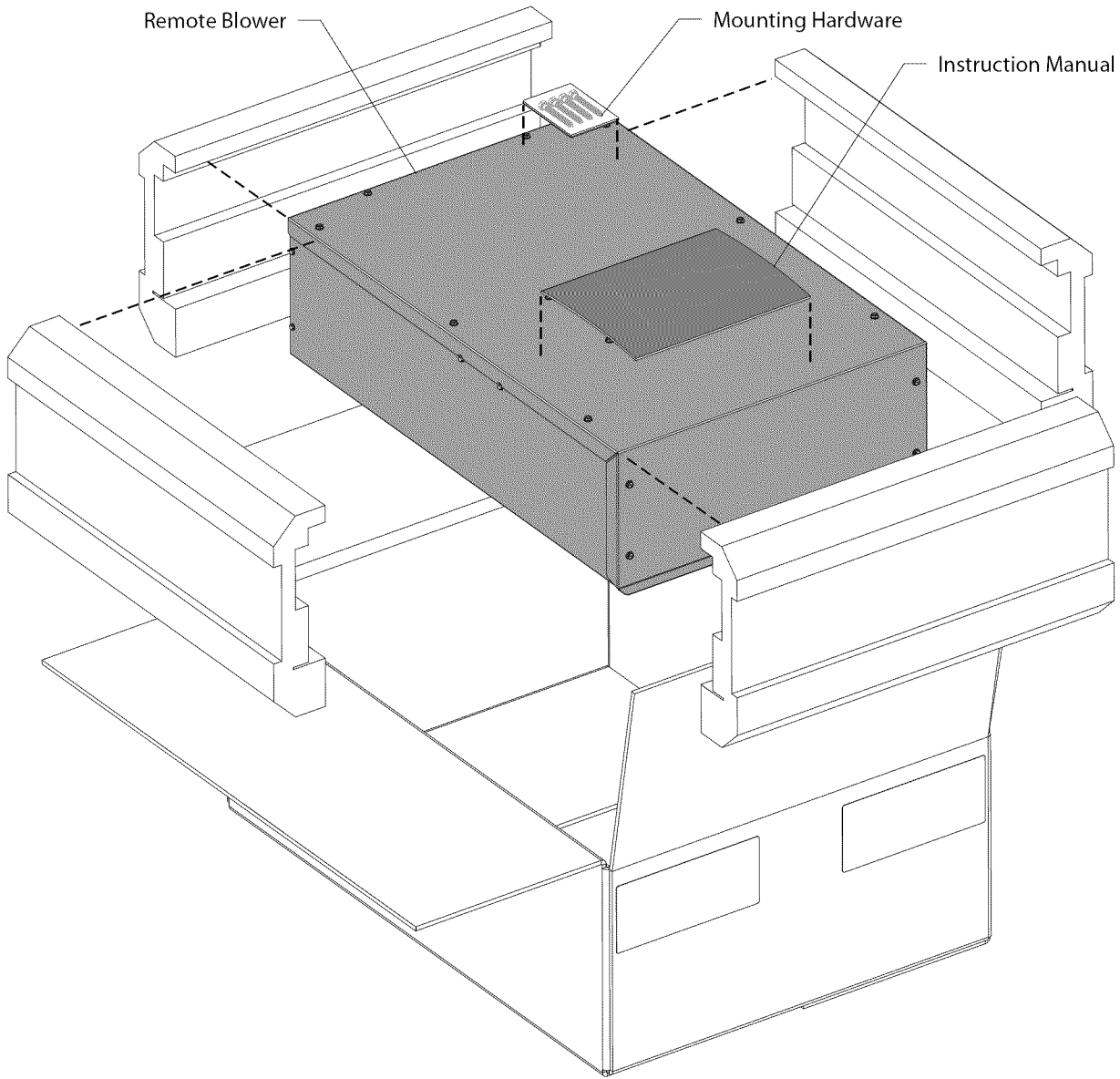
CAUTION

- For general ventilating use only. Do not use to exhaust hazardous or explosive materials and vapors.
- To reduce risk of fire and to properly exhaust air, be sure to duct air outside. Do not vent exhaust air into spaces within walls or ceilings or into attics, crawl spaces or garages.
- This blower assembly is approved for use with the following Electrolux Telescoping Downdraft Systems: **EI30DD10KSA, EI36DD10KSA, FH30DD50MSA and FH36DD50MSA only.** Use of this blower assembly with any other product or in any other configuration is hazardous and voids the product warranty.

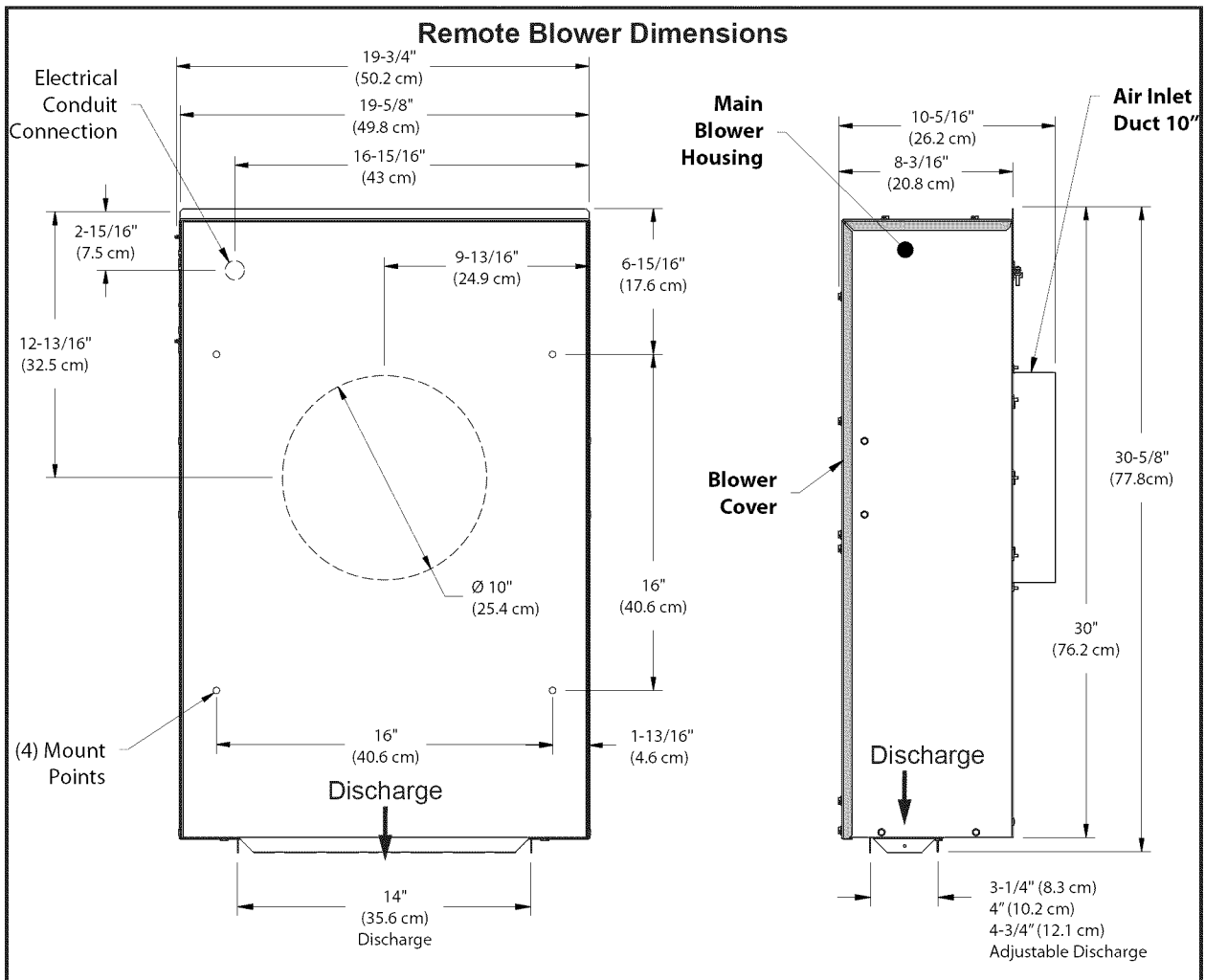
NOTE

- Consult a licensed ventilation contractor or qualified technician for proper installation of exhaust ducting.
- Locate the cooking area for minimum cross drafts - away from doors and windows, when possible.
- Ducts must be of adequate size and duct runs should be as short and straight as possible. Where turns are necessary, keep turning radius as large and smooth as possible.
- The ducting must be air tight. Use a minimum of 2 sheet metal screws at every duct joint. Then, seal the duct joints with a high quality duct tape.
- In duct runs less than 10 equivalent straight feet, the remote blower may interfere with the cooktop burner performance due to the high volume of air moved. An adjustable damper (not included) should be installed in the ducting system. The damper can be adjusted so that proper ventilation and cooktop burner performance is achieved.
- Installation of duct work should be carefully planned if it is to go under a concrete slab floor. The duct trench should be boxed to prevent collapse from the wet cement. Be sure to allow room to run the electrical wiring and conduit.

**SAVE THESE INSTRUCTIONS FOR
FUTURE REFERENCES**



Specifications and Dimensions



List of Included Parts for model EI16DDPRKS:

- (1) Blower
- (4) 1/4" Lag Bolts

Hardware Needed (User Supplied)

- 14 AWG Romex Cable (Min. Size)

! IMPORTANT

Local building codes must be followed in specifying approved type and specification of ALL duct used.

! IMPORTANT

Retain all packing and materials until the telescoping downdraft and all components have been installed.

! NOTE

All dimensional tolerances are +1/16", -0" unless otherwise stated.

Before starting installation, remove the cover from the Blower Main Housing. Check to see if the blower wheel turns freely. Do not replace the cover until the installation of the Blower Main Housing is complete.

Installation Planning

A qualified technician must complete the installation of this appliance.

Carefully check the location where the remote blower is to be installed. The remote blower should be placed for convenient access. Make certain that electrical power can be provided in the selected location.

The Remote Blower can be installed in various locations. These Installation Instructions will cover some of the possibilities.

	Page
1 - On Floor Joists	10
2 - On Ceiling Joists	11
3 - On Wall Studs	12
4 - On Exterior Wall	13

WARNING

DO NOT mount the blower unit by the cover, or by using any plumbing straps, or by any other method than fastening with the lag bolts into solid structural support members.

CAUTION

When mounting the unit, do not warp or bend the housing, or mount in such a manner that the connected ductwork causes the housing to flex. Verify that the blower wheel spins freely.

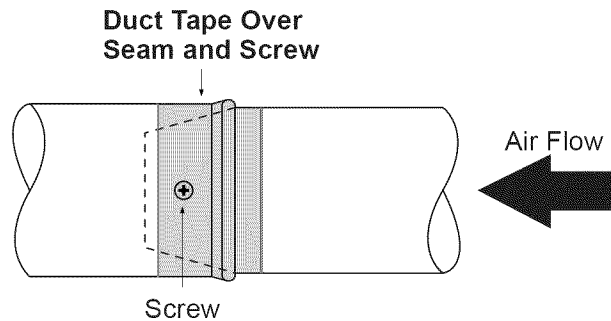
When mounting the main blower housing, be sure to fully engage the inlet collar of the blower with the round duct inlet from the downdraft ventilation unit. Secure the outlet to the exhaust duct.

CAUTION

Make sure that there is an appropriate damper installed on the discharge ducting, per local code or national building code, to prevent backflow of air.

Ductwork

Use galvanized or aluminum duct in 8" / 10" round or 3¼"x14" / 4"x14" / 4¾"x14" size, or a combination of both. PVC duct should be used if installing under a poured concrete slab. Use the shortest and straightest duct run possible.



NOTE

Local building codes must be followed in specifying approved type and specification of ALL duct used. Always use an appropriate roof or wall cap with damper.

IMPORTANT

All ductworks must be as installed as per local codes.

CAUTION

To reduce risk of fire and to properly exhaust air, be sure to duct air outside – Do not vent exhaust air into spaces within walls or ceilings or into attics, crawl spaces, or garages.

8 Installation of Blower Assembly

Remove the Blower Cover

Remove the Blower Cover from the Main Blower Housing by removing the (16) silver hex head screws from the Blower Cover. Retain the screws.

Remove the Wire box from the Main Blower Housing by removing the 3 hex head screws. Retain the screws.

Mount Main Housing

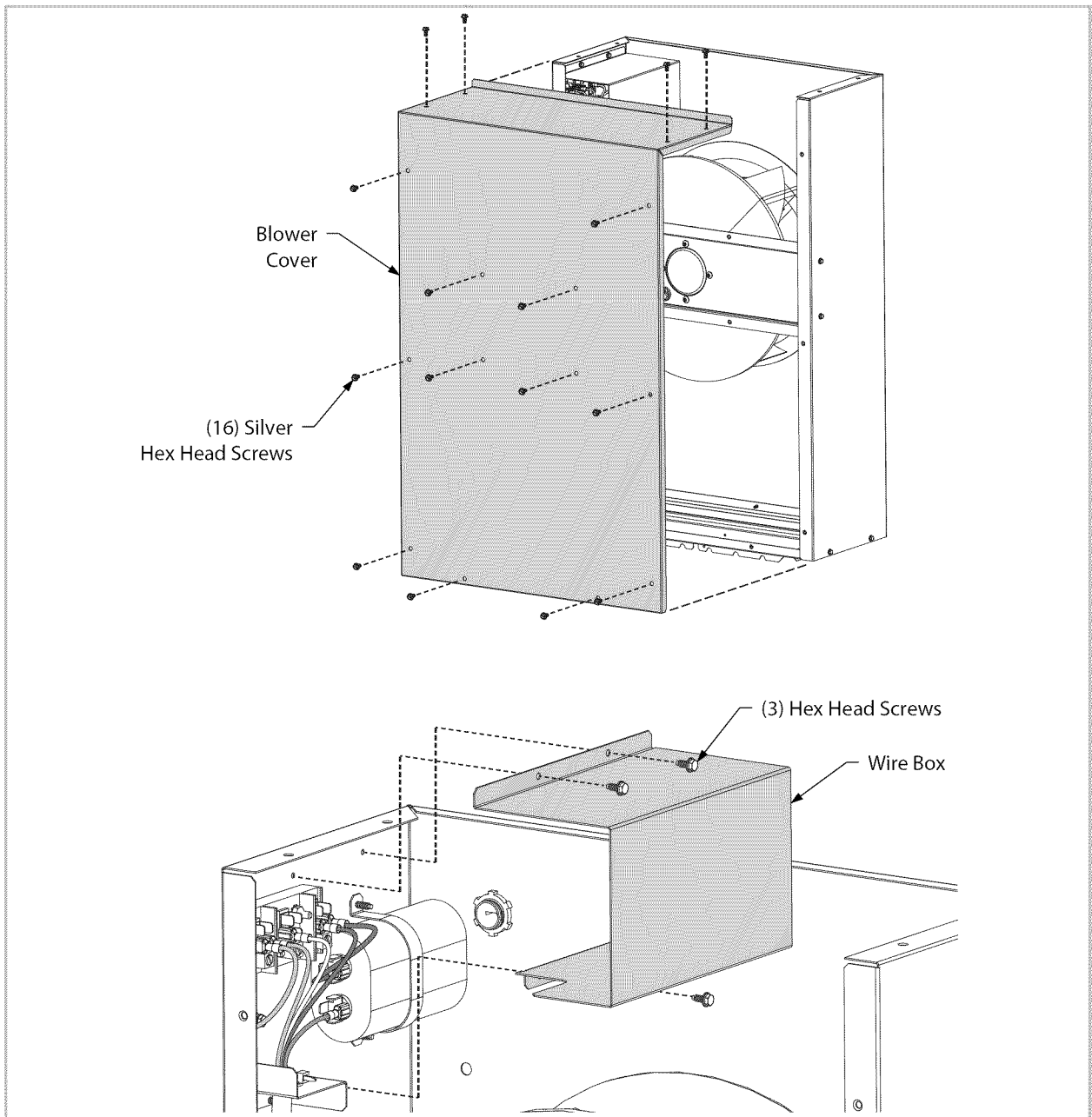
The housing is designed to mount to joist or studs on 16" centers. When mounting the Main blower Housing, the (4) lag bolts must be attached to joists, studs or other structural members.

CAUTION

DO NOT attach the Main Blower Housing directly to wall board, ceiling panels, or other non-structural materials. Refer to the section drawings on the following pages to determine the proper mounting orientation for the Main Blower Housing.

WARNING

DO NOT install the unit so that the unit is supported by the Blower Cover. Damage to the Blower may occur.



When mounting the Main Blower Housing, the (4) lag bolts must be attached to joists or studs, or other structural members. When mounting the main blower housing between floor joists or walls studs, it is necessary to space the blower housing off the floor or wall using a minimum 2x4 wood spacer. The wood spacers should be properly secured to the joists or studs. **DO NOT** secure the wood spacers to the sub-floor or wall materials.

When mounting the main blower housing, be sure to fully engage the inlet collar of the blower with the round duct inlet from the downdraft ventilation unit. Secure the outlet to the exhaust duct.

All duct connections should be sealed with duct tape and secured with screws.

Connect the Romex cable from the downdraft ventilation unit to the main blower housing.

WARNING

DO NOT mount the main blower housing directly to sub-flooring or wall materials, this will not support the remote blower housing correctly.

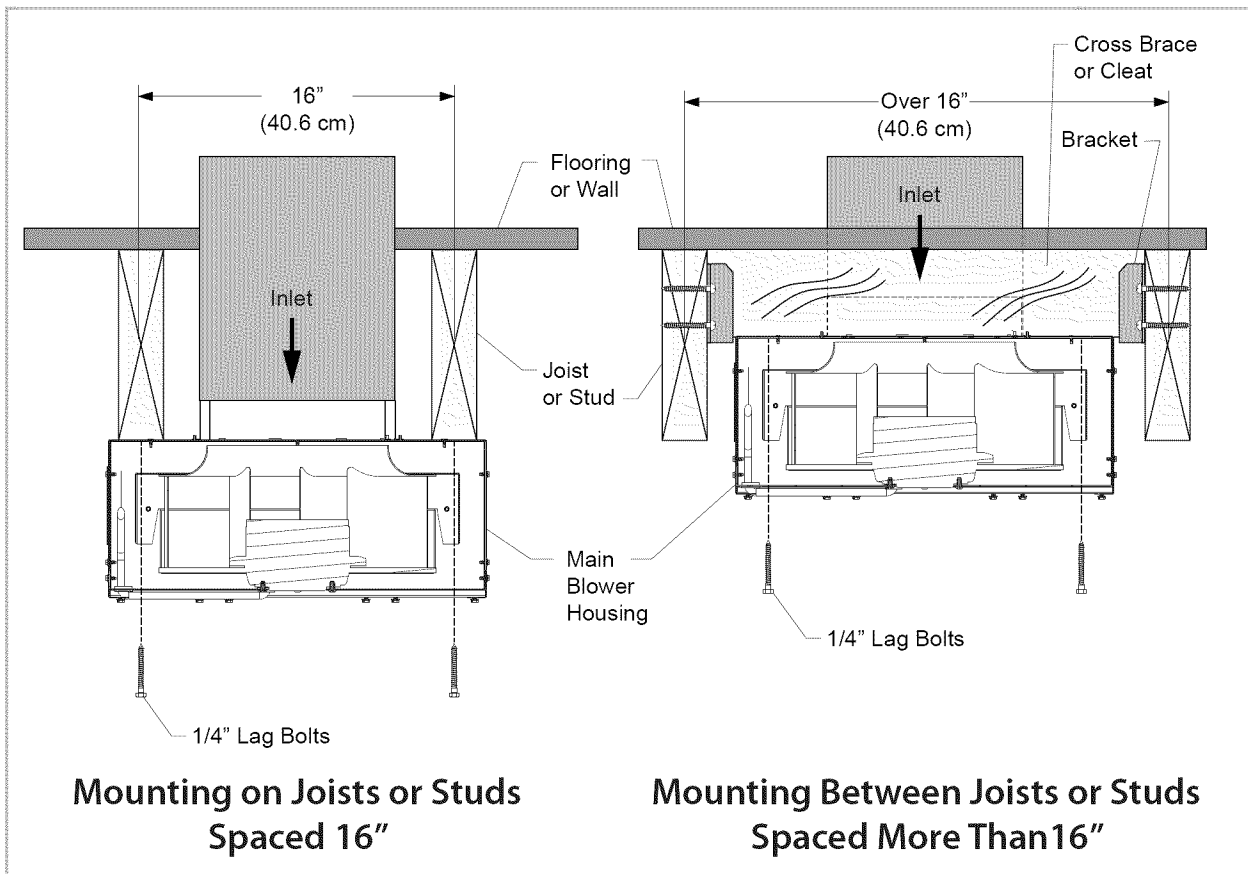
CAUTION

When mounting the unit, do not warp or bend the housing, or mount in such a manner that the connected ductwork causes the housing to flex.

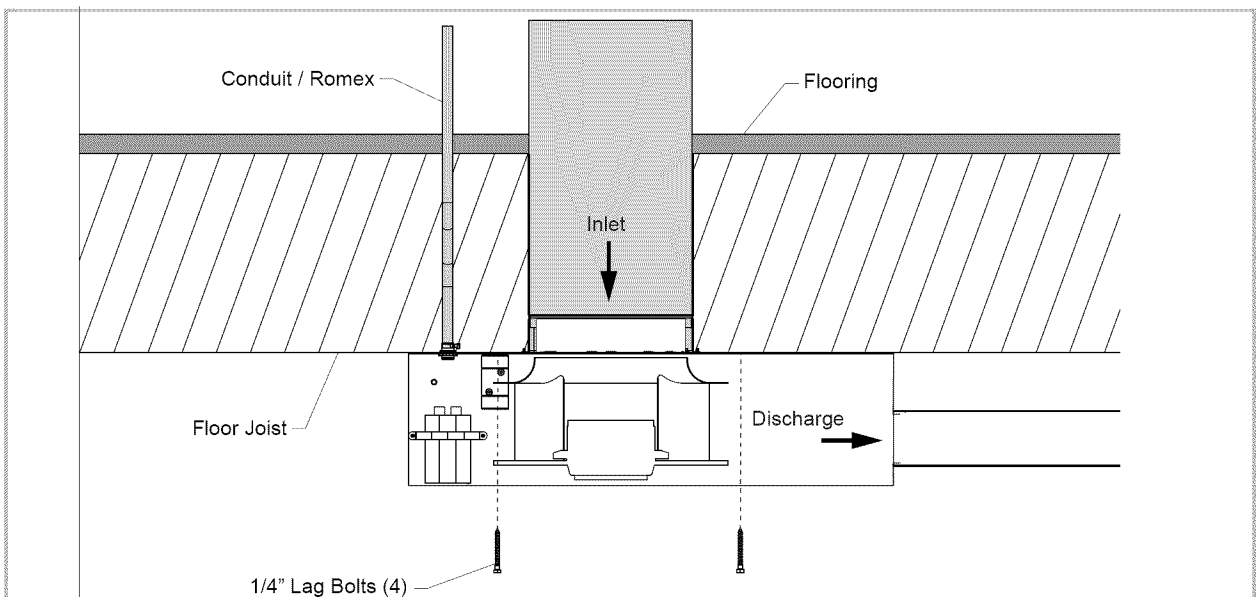
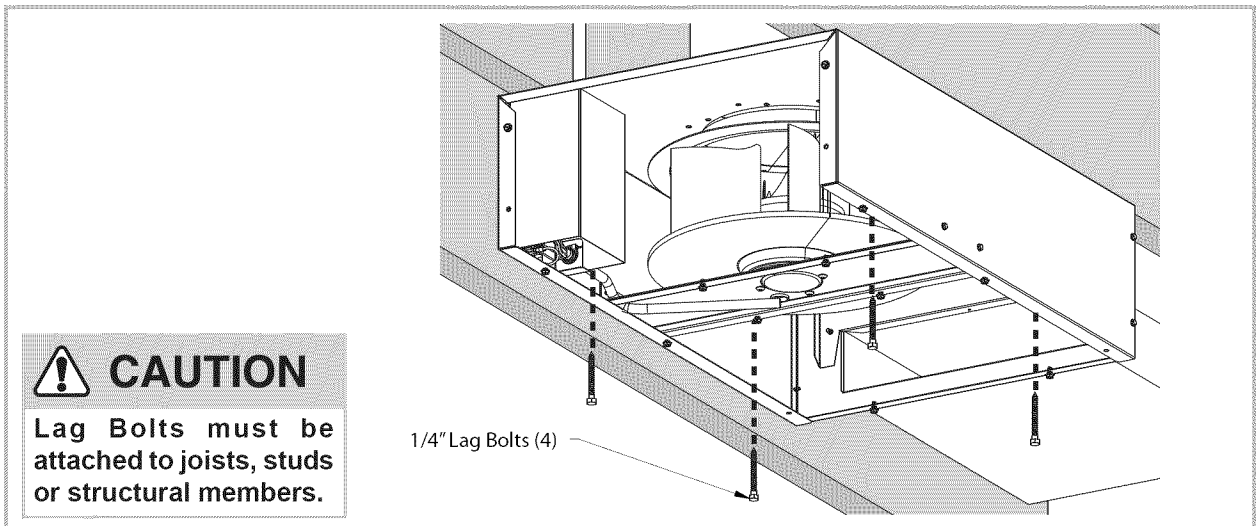
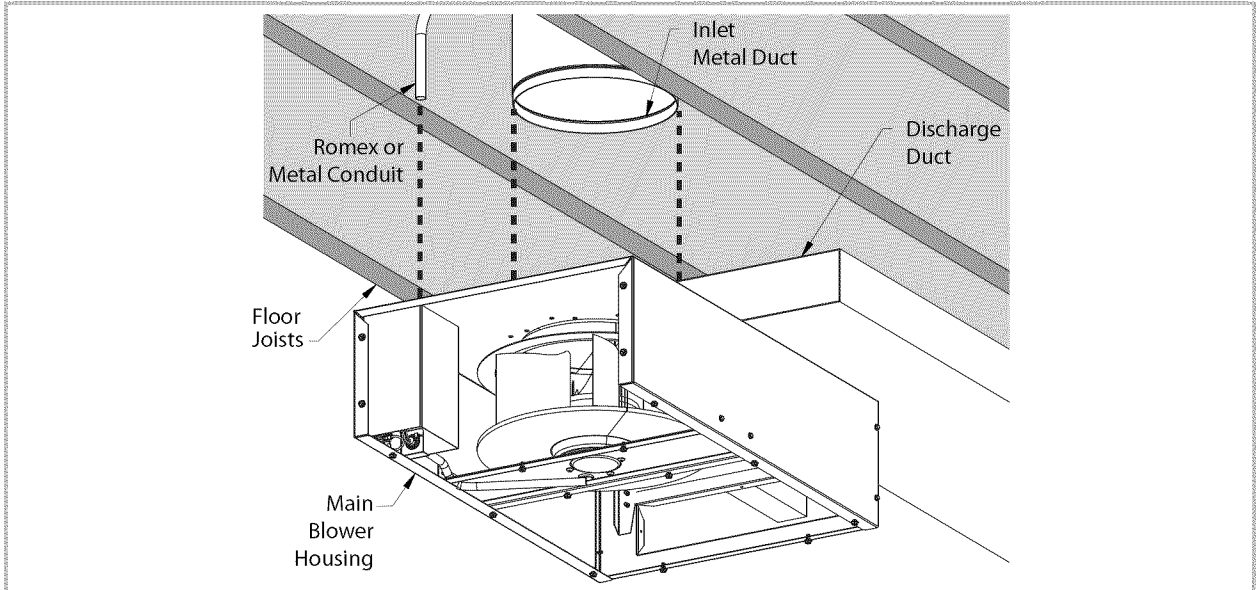
CAUTION

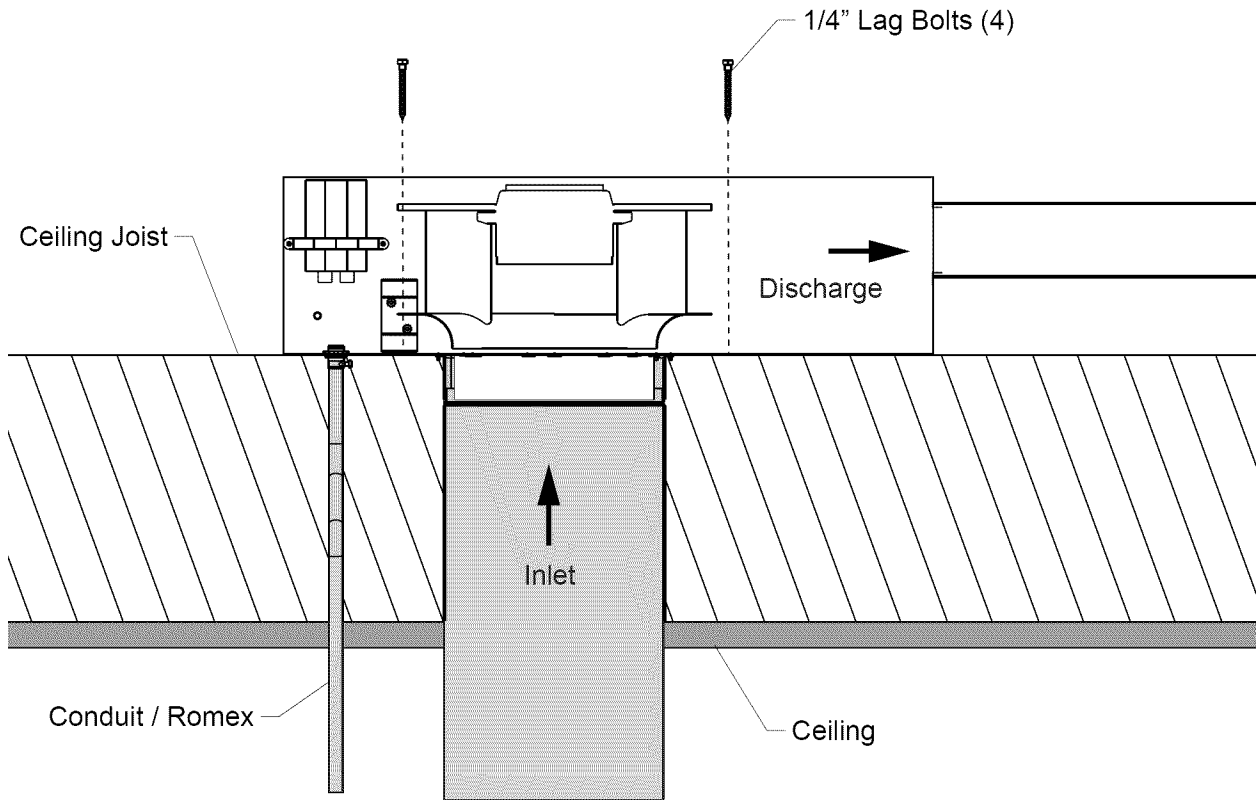
Before making any electrical connections, verify that the blower wheel spins freely.

Make the required electrical connections according to the attached wiring diagram.

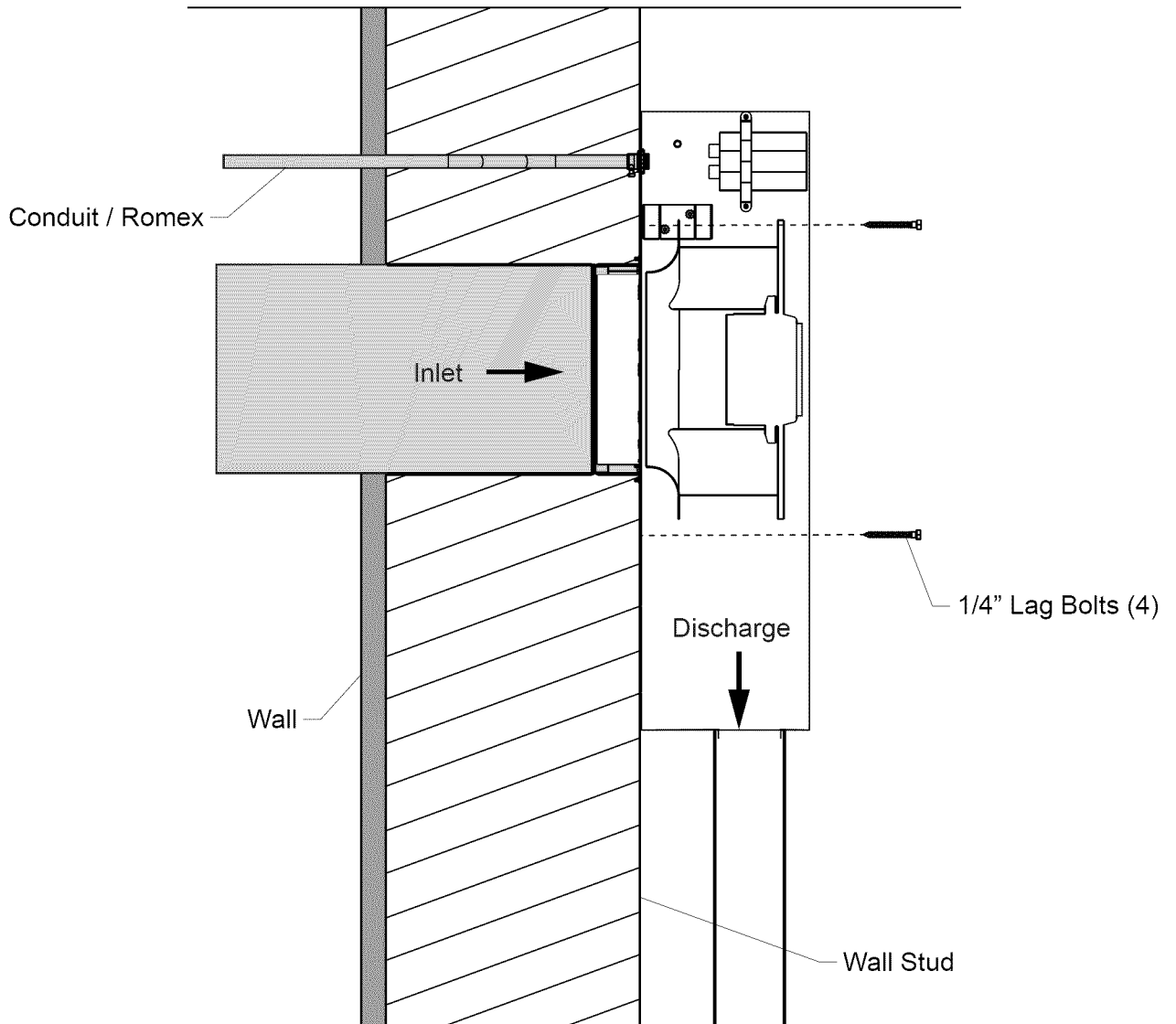


10 Installation on Floor Joists



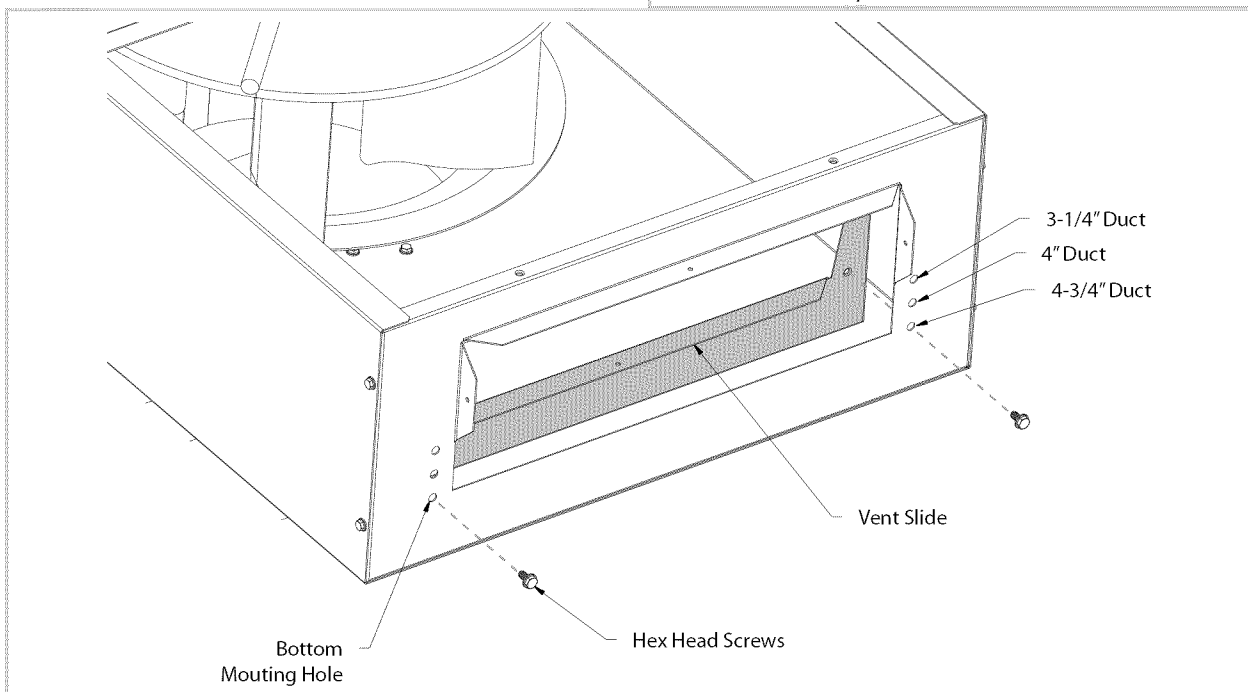
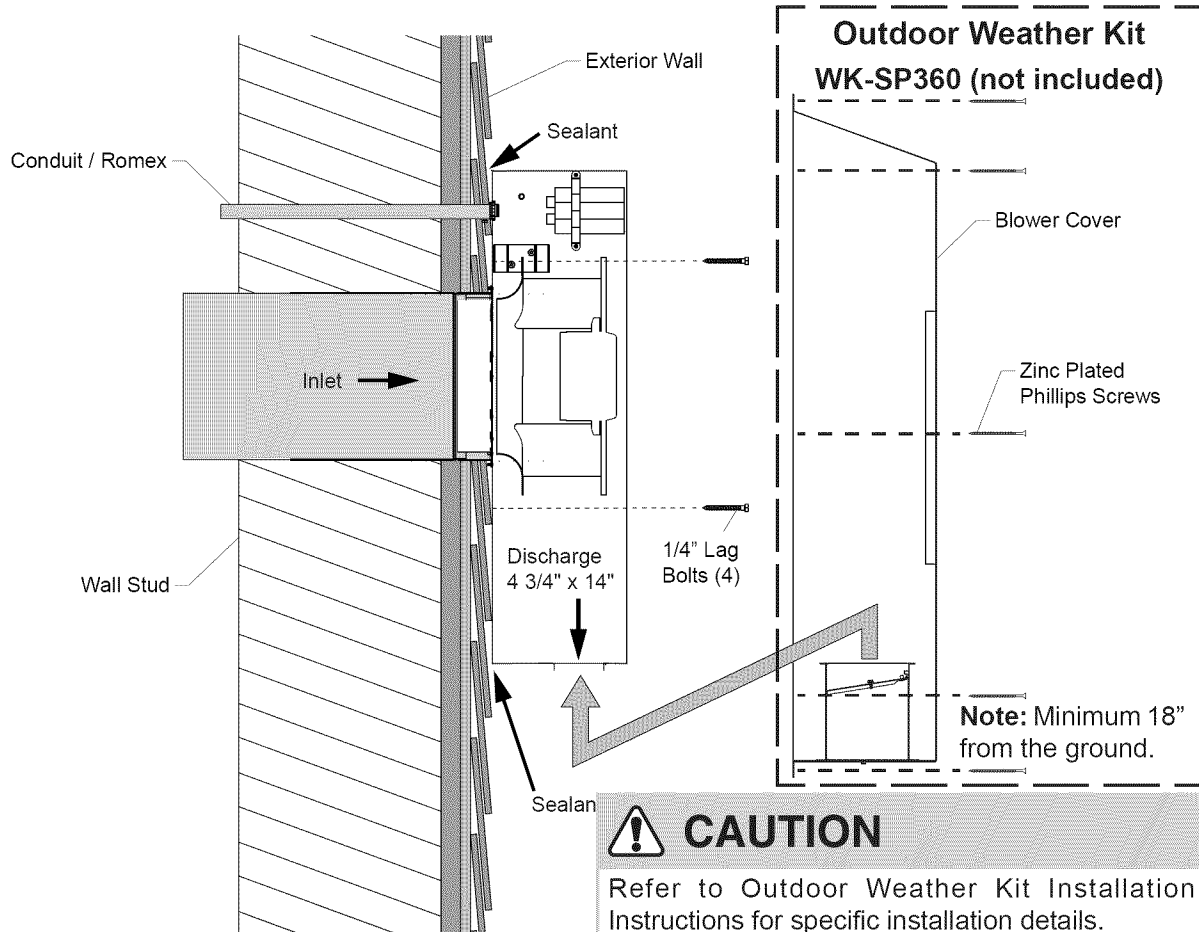


12 Installation on Wall Studs



CAUTION

The Outdoor Weather Kit WK-SP360 is required for outdoor installation.



14 Electrical Connections

⚠ CAUTION

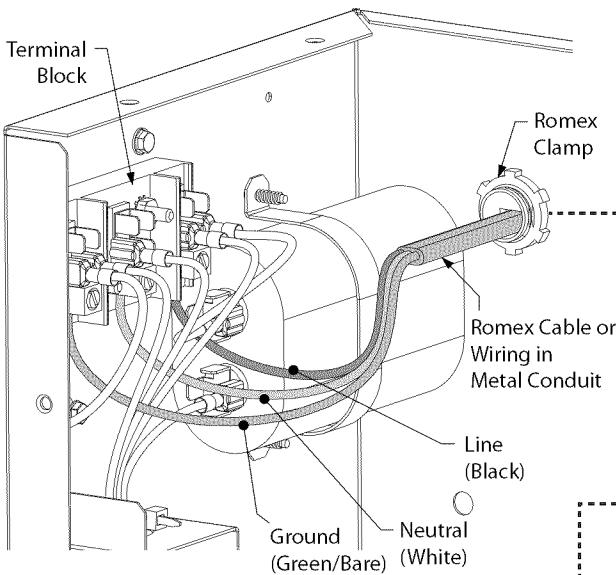
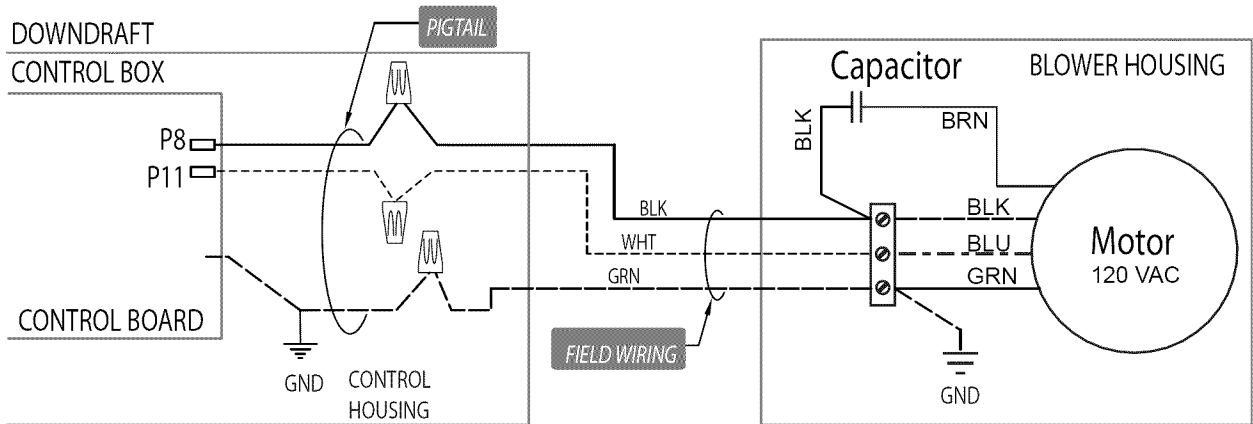
Before making any electrical connections, verify that the blower wheel spins freely.

Make the required electrical connections according to the wiring diagram.

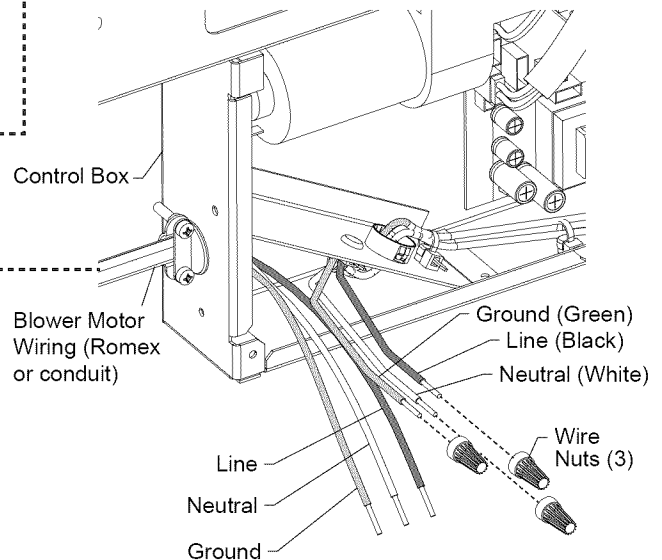
Remote Blower Electrical Connection

Loosen the 3 terminal block screws. Insert the leads from the Romex cable into the terminal block and tighten the screws securing the leads in the terminal block.

Re-attach the Wire Box using 3 screws.



Wiring Connection in Remote Blower



Remote Blower Connection to Vent Control Box

Verifying Proper Operation

After making the required electrical connections, confirm proper operation of the blower.

1. Temporarily re-install the remote blower cover, using 2 screws per side.
2. Turn on the power supply at the circuit breaker.
3. Refer to the Telescoping Down Draft Installation Instructions for additional instructions on proper operation.

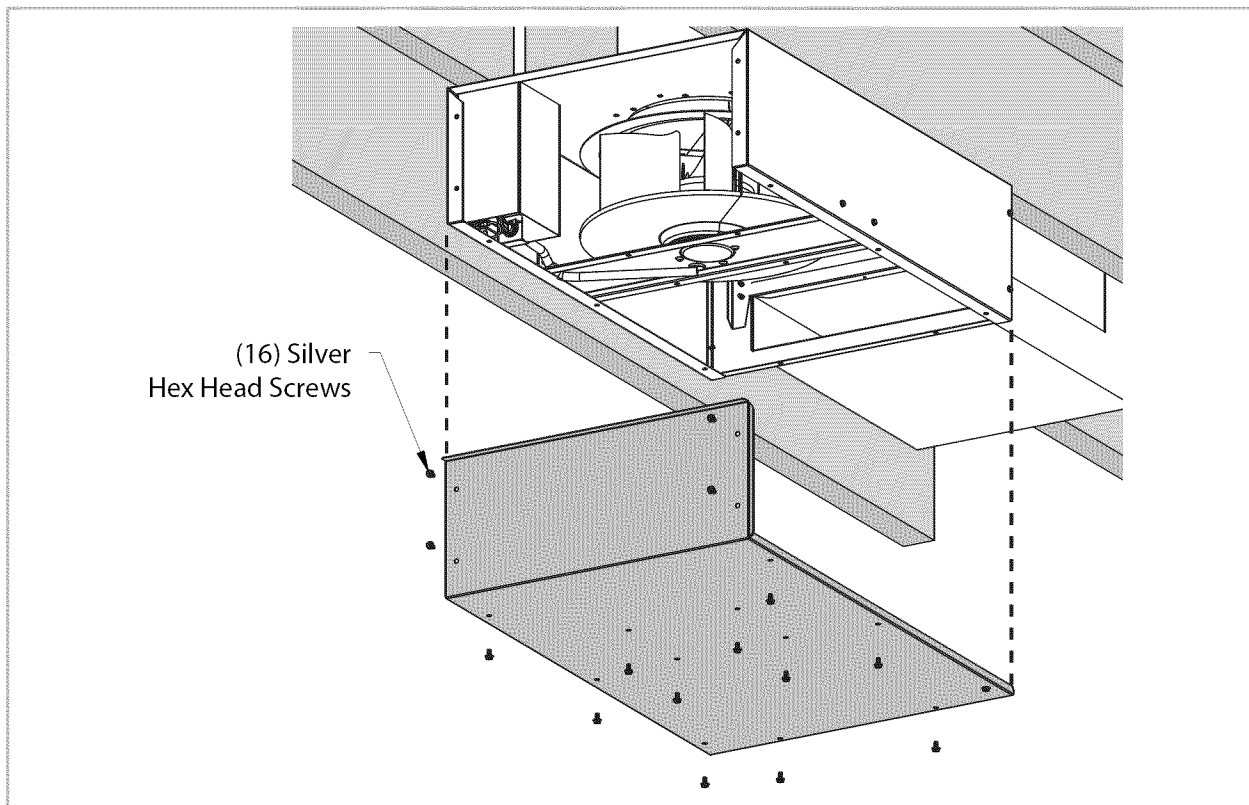


WARNING

DO NOT allow any objects to contact any moving parts or electrical connections while verifying blower operation.

Replace the Cover

Re-attach the Blower Cover to the Main Blower housing using the (16) silver hex head screws.



16 Warranty

Your appliance is covered by a one year limited warranty. For one year from your original date of purchase, Electrolux will repair or replace any parts of this appliance that prove to be defective in materials or workmanship when such appliance is installed, used, and maintained in accordance with the provided instructions. In addition, the glass cooktop or radiant surface element of your appliance (excluding built-in and free-standing range appliances) is covered by a two through five year limited warranty. During the 2nd through 5th years from your original date of purchase, Electrolux will provide a replacement glass cooktop or radiant surface element for your appliance which has proven to be defective in materials or workmanship when such appliance is installed, used, and maintained in accordance with the provided instructions.

Exclusions

This warranty does not cover the following:

1. Products with original serial numbers that have been removed, altered or cannot be readily determined.
2. Product that has been transferred from its original owner to another party or removed outside the USA or Canada.
3. Rust on the interior or exterior of the unit.
4. Products purchased "as-is" are not covered by this warranty.
5. Products used in a commercial setting.
6. Service calls which do not involve malfunction or defects in materials or workmanship, or for appliances not in ordinary household use or used other than in accordance with the provided instructions.
7. Service calls to correct the installation of your appliance or to instruct you how to use your appliance.
8. Expenses for making the appliance accessible for servicing, such as removal of trim, cupboards, shelves, etc., which are not a part of the appliance when it is shipped from the factory.
9. Service calls to repair or replace appliance light bulbs, air filters, water filters, other consumables, or knobs, handles, or other cosmetic parts.
10. Labor or in-home service costs during the additional limited warranty periods beyond the first year from your original date of purchase.
11. Pickup and delivery costs; your appliance is designed to be repaired in the home.
12. Surcharges including, but not limited to, any after hour, weekend, or holiday service calls, tolls, ferry trip charges, or mileage expense for service calls to remote areas, including the state of Alaska.
13. Damages to the finish of appliance or home incurred during transportation or installation, including but not limited to floors, cabinets, walls, etc.
14. Damages caused by: services performed by unauthorized service companies; use of parts other than genuine Electrolux parts or parts obtained from persons other than authorized service companies; or external causes such as abuse, misuse, inadequate power supply, accidents, fires, or acts of God.

DISCLAIMER OF IMPLIED WARRANTIES; LIMITATION OF REMEDIES

CUSTOMER'S SOLE AND EXCLUSIVE REMEDY UNDER THIS LIMITED WARRANTY SHALL BE REPAIR OR REPLACEMENT AS PROVIDED HEREIN. CLAIMS BASED ON IMPLIED WARRANTIES, INCLUDING WARRANTIES OF MERCHANTABILITY OR FITNESS FOR A PARTICULAR PURPOSE, ARE LIMITED TO ONE YEAR OR THE SHORTEST PERIOD ALLOWED BY LAW, BUT NOT LESS THAN ONE YEAR. ELECTROLUX SHALL NOT BE LIABLE FOR CONSEQUENTIAL OR INCIDENTAL DAMAGES SUCH AS PROPERTY DAMAGE AND INCIDENTAL EXPENSES RESULTING FROM ANY BREACH OF THIS WRITTEN LIMITED WARRANTY OR ANY IMPLIED WARRANTY. SOME STATES AND PROVINCES DO NOT ALLOW THE EXCLUSION OR LIMITATION OF INCIDENTAL OR CONSEQUENTIAL DAMAGES, OR LIMITATIONS ON THE DURATION OF IMPLIED WARRANTIES, SO THESE LIMITATIONS OR EXCLUSIONS MAY NOT APPLY TO YOU. THIS WRITTEN WARRANTY GIVES YOU SPECIFIC LEGAL RIGHTS. YOU MAY ALSO HAVE OTHER RIGHTS THAT VARY FROM STATE TO STATE.

If You Need Service

Keep your receipt, delivery slip, or some other appropriate payment record to establish the warranty period should service be required. If service is performed, it is in your best interest to obtain and keep all receipts. Service under this warranty must be obtained by contacting Electrolux at the addresses or phone numbers below.

This warranty only applies in the USA, Puerto Rico and Canada. In the USA and Puerto Rico, your appliance is warranted by Electrolux Major Appliances North America, a division of Electrolux Home Products, Inc. In Canada, your appliance is warranted by Electrolux Canada Corp. Electrolux authorizes no person to change or add to any obligations under this warranty. Obligations for service and parts under this warranty must be performed by Electrolux or an authorized service company. Product features or specifications as described or illustrated are subject to change without notice.

USA

1.800.944.9044

Electrolux Home Products, Inc.,
10200 David Taylor Drive
Charlotte, NC 28262

Canada

1-800-265-8352

Electrolux Canada Corp.
5855 Terry Fox Way
Mississauga, Ontario, Canada L5V 3E4