

Operator's Manual



LAWN TRACTOR

19.0 HP*, 42" Mower

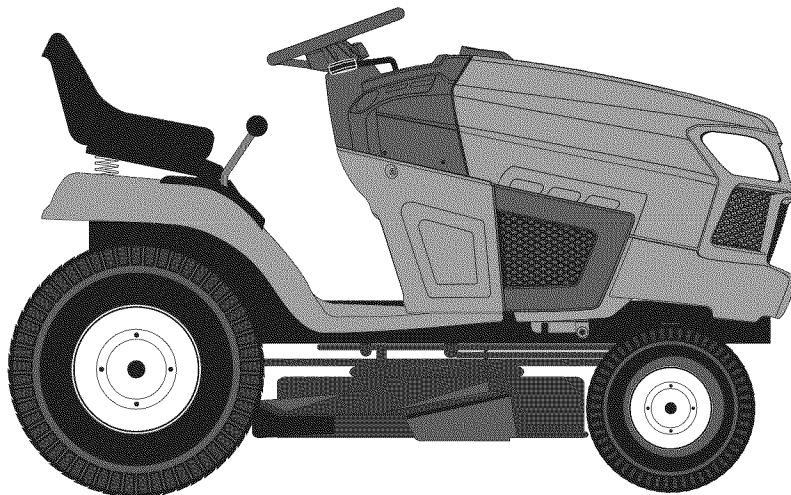
Electric Start

Automatic Transmission

Model No.

917.25082

• Español, p. 33



This product has a low emission engine which operates differently from previously built engines. Before you start the engine, read and understand this manual.

IMPORTANT:

Read and follow all Safety Rules and Instructions before operating this equipment.

For answers to your questions about this product, call:

1-888-331-4569

Craftsman Customer Help Line

Sears Brands Management Corporation, Hoffman Estates, IL 60179 U.S.A.

Visit our Craftsman website: www.craftsman.com

* The power rating as declared by the engine manufacturer is the average gross power output at the specified RPM of a typical production engine for the engine model measured using SAE Standards for engine gross power. Please refer to the engine manufacturer for details.

* La potencia nominal declarada por el fabricante del motor es la salida media de potencia bruta a las RPM especificadas de un motor de serie típico para el modelo de motor, medida según las normas SAE sobre potencia bruta de motor. Para más información, consulte al fabricante del motor.

588808227

TABLE OF CONTENTS

Warranty	2	Maintenance	16
Safety Rules	3	Service and Adjustments	21
Product Specifications	6	Storage	27
Assembly/Pre-Operation	7	Troubleshooting	28
Operation	9	Sears Service	Back Cover
Maintenance Schedule	16		

WARRANTY

CRAFTSMAN LIMITED WARRANTY

FOR TWO YEARS from the date of purchase, all non-expendable parts of this riding equipment are warranted against defects in material or workmanship. With proof of purchase, a defective non-expendable part will receive free repair or replacement at option of seller.

Battery Limited Warranty

FOR 90 DAYS from the date of purchase, the battery (an expendable part) of this riding equipment is warranted against defects in material or workmanship. With proof of purchase, you will receive a new battery at no charge. You are responsible for the labor cost of battery installation.

Additional Limited Warranties

In the following additional warranties, you are responsible for the labor cost of part installation after the second year from the date of purchase.

FOR FIVE YEARS from the date of purchase, the frame of this riding equipment is warranted against any defects in material or workmanship. With proof of purchase, you will receive a new frame at no charge.

FOR TEN YEARS from the date of purchase, the front axle of this riding equipment is warranted against any defects in material or workmanship. With proof of purchase, you will receive a new axle at no charge.

FOR AS LONG AS IT IS USED by the original owner after the tenth year from the date of purchase, the cast iron front axle (if equipped) of this riding equipment is warranted against any defects in material or workmanship. With proof of purchase, you will receive a new cast iron front axle at no charge.

WARRANTY SERVICE

For warranty coverage details to obtain free repair or replacement, visit the web page: www.craftsman.com/warranty

Product Replacement

If part repair or replacement is impossible, you will receive a new riding equipment unit of the same or equivalent model.

Warranty Restriction

All warranty coverage is void if this riding equipment is ever used while providing commercial services or if rented to another person.

This warranty covers ONLY defects in material and workmanship. Warranty coverage does NOT include:

- Expendable parts (except battery) that can wear out from normal use within the warranty period, including but not limited to blades, spark plugs, belts and air, oil or gas filters.
- Standard maintenance servicing, oil changes or tune-ups.
- Tire replacement or repair caused by punctures from outside objects, such as nails, thorns, stumps, or glass.
- Tire or wheel replacement or repair resulting from normal wear, accident, or improper operation or maintenance.
- Repairs necessary because of operator abuse, including but not limited to damage caused by towing objects beyond the capability of the riding equipment, impacting objects that bend the frame, axle assembly or crankshaft, or over-speeding the engine.
- Repairs necessary because of operator negligence, including but not limited to, electrical and mechanical damage caused by improper storage, failure to use the proper grade and amount of engine oil, failure to keep the deck clear of flammable debris, or failure to maintain the riding equipment according to the instructions contained in the operator's manual.
- Engine (fuel system) cleaning or repairs caused by fuel determined to be contaminated or oxidized (stale). In general, fuel should be used within 30 days of its purchase date.
- Normal deterioration and wear of the exterior finishes, or product label replacement.

This warranty gives you specific legal rights, and you may also have other rights which vary from state to state.

Sears Brands Management Corporation, Hoffman Estates, IL 60179

SAFETY RULES

⚠ DANGER: This cutting machine is capable of amputating hands and feet and throwing objects. Failure to observe the following safety instructions could result in serious injury or death.

⚠ WARNING: In order to prevent accidental starting when setting up, transporting, adjusting or making repairs, always disconnect spark plug wire and place wire where it cannot contact spark plug.

⚠ WARNING: Do not coast down a hill in neutral, you may lose control of the tractor.

⚠ WARNING: Tow only the attachments that are recommended by and comply with specifications of the manufacturer of your tractor. Use common sense when towing. Operate only at the lowest possible speed when on a slope. Too heavy of a load, while on a slope, is dangerous. Tires can lose traction with the ground and cause you to lose control of your tractor.

⚠ WARNING: Engine exhaust, some of its constituents, and certain vehicle components contain or emit chemicals known to the State of California to cause cancer and birth defects or other reproductive harm.

⚠ WARNING: Battery posts, terminals and related accessories contain lead and lead compounds, chemicals known to the State of California to cause cancer and birth defects or other reproductive harm. **Wash hands after handling.**

I. CHILDREN

⚠ WARNING! CHILDREN CAN BE INJURED BY THIS EQUIPMENT. The American Academy of Pediatrics recommends that children be a minimum of 12 year of age before operating a pedestrian controlled lawn mower and a minimum of 16 years of age before operating a riding lawn mower.

⚠ WARNING! CHILDREN CAN BE SERIOUSLY INJURED OR KILLED BY THIS EQUIPMENT. Carefully read and follow all of the safety instructions below.

Tragic accidents can occur if the operator is not alert to the presence of children. Children are often attracted to the machine and the mowing activity. Never assume that children will remain where you last saw them.

- Keep children out of the mowing area and in the watchful care of a responsible adult **other than** the operator.
- Be alert and turn machine off if a child enters the area.
- Before and while backing, look behind and down for small children.
- Never carry children, even with the blades shut off. They may fall off and be seriously injured or interfere with safe machine operation. Children who have been given rides in the past may suddenly appear in the mowing area for another ride and be run over or backed over by the machine.
- Never allow children to operate the machine.
- Use extreme caution when approaching blind corners, shrubs, trees, or other objects that may block your view of a child.

II. GENERAL OPERATION

- Read, understand, and follow all instructions on the machine and in the manual before starting.
- Do not put hands or feet near rotating parts or under the machine. Keep clear of the discharge opening at all times.
- Only allow responsible adults, who are familiar with the instructions, to operate the machine.
- Clear the area of objects such as rocks, toys, wire, etc., which could be picked up and thrown by the blades.
- Ensure the area is clear of bystanders before operating. Stop machine if anyone enters the area.
- Never carry passengers.
- Do not mow in reverse unless absolutely necessary. Always look down and behind before and while backing.
- Never direct discharged material toward anyone. Avoid discharging material against a wall or obstruction. Material may ricochet back toward the operator. Stop the blades when crossing gravel surfaces.
- Do not operate machine without the entire grass catcher, discharge chute, or other safety devices in place and working.

SAFETY RULES

- Slow down before turning.
- Never leave a running machine unattended. Always turn off blades, set parking brake, stop engine, and remove keys before dismounting.
- Disengage blades when not mowing. Shut off engine and wait for all parts to come to a complete stop before cleaning the machine, removing the grass catcher, or unclogging the discharge chute.
- Operate machine only in daylight or good artificial light.
- Do not operate the machine while under the influence of alcohol or drugs.
- Watch for traffic when operating near or crossing roadways.
- Use extreme caution when loading or unloading the machine into a trailer or truck.
- Always wear eye protection when operating machine.
- Use ear protectors to avoid damage to hearing.
- Data indicates that operators, age 60 years and above, are involved in a large percentage of riding mower-related injuries. These operators should evaluate their ability to operate the riding mower safely enough to protect themselves and others from serious injury.
- Follow the manufacturer's recommendation for wheel weights or counterweights.
- Keep machine free of grass, leaves or other debris build-up which can touch hot exhaust / engine parts and burn. Do not allow the mower deck to plow leaves or other debris which can cause build-up to occur. Clean any oil or fuel spillage before operating or storing the machine. Allow machine to cool before storage.
- Watch for holes, ruts, bumps, rocks, or other hidden objects. Uneven terrain could overturn the machine. Tall grass can hide obstacles.
- Choose a low ground speed so that you will not have to stop or shift while on the slope.
- Do not mow on wet grass. Tires may lose traction. Always keep the machine in gear when going down slopes.
- Do not shift to neutral and coast downhill.
- Avoid starting, stopping, or turning on a slope. If the tires lose traction, disengage the blades and proceed slowly straight down the slope.
- Keep all movement on the slopes slow and gradual. Do not make sudden changes in speed or direction, which could cause the machine to roll over.
- Use extreme caution while operating machine with grass catchers or other attachments; they can affect the stability of the machine. Do not use on steep slopes.
- Do not try to stabilize the machine by putting your foot on the ground.
- Do not mow near drop-offs, ditches, or embankments. The machine could suddenly roll over if a wheel is over the edge or if the edge caves in.
- If machine stops while going uphill, disengage blades, shift into reverse and back down slowly.
- Do not turn on slopes unless necessary, and then, turn slowly and gradually downhill, if possible.



III. SLOPE OPERATION

⚠ WARNING! When loading or unloading this machine, do not exceed the maximum recommended operation angle of 15°.

Slopes are a major factor related to loss of control and tip-over accidents, which can result in severe injury or death. Operation on all slopes requires extreme caution. If you cannot back up the slope or if you feel uneasy on it, do not mow it.

- Mow up and down slopes, not across.

IV. TOWING

- Tow only with a machine that has a hitch designed for towing. Do not attach towed equipment except at the hitch point.
- Follow the manufacturer's recommendation for weight limits for towed equipment and towing on slopes.
- Never allow children or others in or on towed equipment.
- On slopes, the weight of the towed equipment may cause loss of traction and loss of control.
- Travel slowly and allow extra distance to stop.

SAFETY RULES

V. SERVICE

SAFE HANDLING OF GASOLINE

To avoid personal injury or property damage, use extreme care in handling gasoline. Gasoline is extremely flammable and the vapors are explosive.

- Extinguish all cigarettes, cigars, pipes, and other sources of ignition.
- Use only approved gasoline container.
- Never remove gas cap or add fuel with the engine running.
- Allow engine to cool before refueling.
- Never fuel the machine indoors.
- Never store the machine or fuel container where there is an open flame, spark, or pilot light such as on a water heater or other appliances.
- Never fill containers inside a vehicle or on a truck or trailer bed with plastic liner. Always place containers on the ground away from your vehicle when filling.
- Remove gas-powered equipment from the truck or trailer and refuel it on the ground. If this is not possible, then refuel such equipment with a portable container, rather than from a gasoline dispenser nozzle.
- Keep the nozzle in contact with the rim of the fuel tank or container opening at all times until fueling is complete. Do not use a nozzle lock-open device.
- If fuel is spilled on clothing, change clothing immediately.
- Never overfill fuel tank. Replace gas cap and tighten securely.

GENERAL SERVICE

- Never operate machine in a closed area.
- Keep all nuts and bolts tight to ensure the equipment is in safe working condition.
- Never tamper with safety devices. Never interfere with the intended function of a safety device or reduce the protection provided by a safety device. Check there proper operation regularly. NEVER operate a machine with a safety device that does not function properly.
- Keep machine free of grass, leaves, or other debris build-up. Clean oil or fuel spillage and remove any fuel-soaked debris. Allow machine to cool before storing.
- If you strike a foreign object, stop and inspect the machine. Repair, if necessary, before restarting.
- Never make any adjustments or repairs with the engine running.
- Check grass catcher components and the discharge chute frequently and replace with manufacturer's recommended parts, when necessary.
- Mower blades are sharp. Wrap the blade or wear gloves, and use extreme caution when servicing them.
- Check brake operation frequently. Adjust and service as required.
- Maintain or replace safety and instruction labels, as necessary.




Use ear protectors to avoid damage to hearing.



Always wear eye protection when operating machine.

PRODUCT SPECIFICATIONS


Gasoline Capacity and type:	3 Gallons / 11,35 L Regular Unleaded *
Oil Type: (API: SG-SL)	SAE 30 (above 32°F/0°C) SAE 5W30 (below 32°F/0°C)
Oil Capacity:	W/ Filter: 48 Oz. / 1,4 L W/out Filter: 44 Oz. / 1,3 L
Spark Plug:	Champion RC12YC (Gap: .030"/0,76 mm)
Charging System:	3 Amps Battery 5 Amps Headlights
Battery:	Amp/Hr: 28 Min. CCA: 230 Case size: U1R
Blade Bolt Torque:	45-55 Ft. Lbs./62-75 Nm

*  Gasoline containing up to 10% ethanol (E10) is acceptable for use in this machine. The use of any gasoline exceeding 10% ethanol (E10) will void the product warranty.

CONGRATULATIONS on your purchase of a new tractor. It has been designed, engineered and manufactured to give you the best possible dependability and performance. Should you experience any problem you cannot easily remedy, please contact a Sears or other qualified service center. We have competent, well-trained representatives and the proper tools to service or repair this tractor. Please read and retain this manual. The instructions will enable you to assemble and maintain your tractor properly. Always observe the "SAFETY RULES".

CUSTOMER RESPONSIBILITIES

- Read and observe the safety rules.
- Follow a regular schedule in maintaining, caring for and using your tractor.
- Follow instructions under "Maintenance" and "Storage" sections of this manual.
- Wear proper Personal Protective Equipment (PPE) while operating this machine, including (at a minimum) sturdy footwear, eye protection, and hearing protection. Do not mow in shorts and/or open toed footwear.
- Always let someone know you are outside mowing.

 **WARNING:** This tractor is equipped with an internal combustion engine and should not be used on or near any unimproved forest-covered, brush-covered or grass-covered land unless the engine's exhaust system is equipped with a spark arrester meeting applicable local or state laws (if any). If a spark arrester is used, it should be maintained in effective working order by the operator.

In the state of California the above is required by law (Section 4442 of the California Public Resources Code). Other states may have similar laws. Federal laws apply on federal lands. A spark arrester for the muffler is available through your nearest Sears service center (See REPAIR PARTS manual).

REPAIR PROTECTION AGREEMENTS

Congratulations on making a smart purchase. Your new Craftsman® product is designed and manufactured for years of dependable operation. But like all products, it may require repair from time to time. That's when having a Repair Protection Agreement can save you money and aggravation.

Purchase a Repair Protection Agreement now and protect yourself from unexpected hassle and expense.

Here's what's included in the Agreement:

- Expert service by our 12,000 professional repair specialists.
- Unlimited service and no charge for parts and labor on all covered repairs.
- Product replacement if your covered product can't be fixed.
- Discount of 25% from regular price of service and service-related parts not covered by the agreement; also, 25% off regular price of preventive maintenance check.
- Fast help by phone – phone support from a Sears representative on products requiring in-home repair, plus convenient repair scheduling.

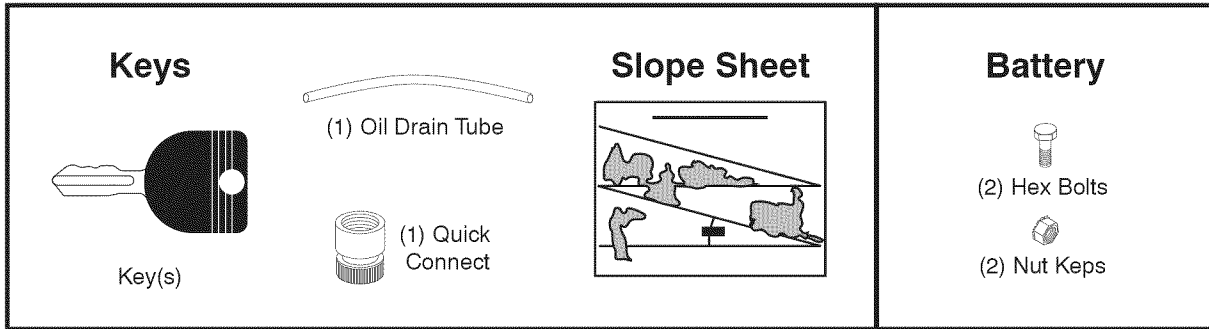
Once you purchase the Agreement, a simple phone call is all that it takes for you to schedule service. You can call anytime day or night, or schedule a service appointment online. Sears has over 12,000 professional repair specialists, who have access to over 4.5 million quality parts and accessories. That's the kind of professionalism you can count on to help prolong the life of your new purchase for years to come. Purchase your Repair Protection Agreement today!

Some limitations and exclusions apply. For prices and additional information call 1-800-827-6655.

SEARS INSTALLATION SERVICE

For Sears professional installation of home appliances, garage door openers, water heaters, and other major home items, in the U.S.A. call 1-800-4-MY-HOME®.

UNASSEMBLED PARTS



ASSEMBLY/PRE-OPERATION

Your new tractor has been assembled at the factory with the exception of those parts left unassembled for shipping purposes.

TOOLS REQUIRED FOR ASSEMBLY

A socket wrench set will make assembly easier. Standard wrench sizes are listed.

- (1) 1/2" wrench Tire pressure gauge
- (2) 7/16" wrenches Utility knife

Pliers

When right or left hand is mentioned in this manual, it means when you are in the operating position (seated behind the steering wheel).

TO REMOVE TRACTOR FROM CARTON

UNPACK CARTON

- Remove all accessible loose parts and parts cartons from carton.
- Cut along dotted lines on all four panels of carton. Remove end panels and lay side panels flat.
- Check for any additional loose parts or cartons and remove.

BEFORE REMOVING TRACTOR FROM SKID

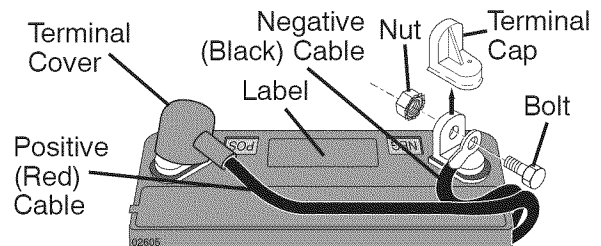
CONNECT BATTERY

WARNING: Do not short battery terminals by allowing a wrench or any other object to contact both terminals at the same time. Before connecting battery, remove metal bracelets, wristwatch bands, rings, etc. Positive terminal must be connected first to prevent sparking from accidental grounding.

NOTE: If this battery is put into service after month and year indicated on label (label is located between terminals) charge battery for minimum of one hour at 6-10 amps. (See "BATTERY" in the Maintenance section of this manual for charging instructions.)

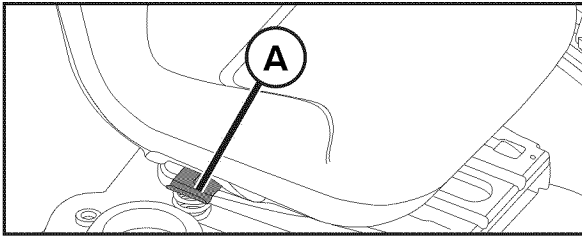
- Determine battery location. Battery location will be under the seat or the hood.
- Lift seat pan or hood to raised position.
- Remove two terminal caps and discard.
- First connect RED battery cable to positive (+) terminal with bolt and nut as shown. Tighten securely. Slide terminal cover over terminal.
- Connect BLACK grounding cable to negative (-) terminal with remaining bolt and nut. Tighten securely.
- Lower seat pan or hood.

NOTE: For battery installation see "REPLACING BATTERY" in the Service and Adjustments section in this manual.



ADJUST SEAT

1. Sit in seat.
2. Lift up adjustment lever (A) and slide seat until a comfortable position is reached which allows you to press clutch/brake pedal all the way down.
3. Release lever to lock seat in position.



NOTE: You may now roll your tractor off the skid. Continue using the instructions that follow to remove the tractor from the skid.

⚠ WARNING: Before starting, read, understand and follow all instructions in the Operation section of this manual. Be sure tractor is in a well-ventilated area. Be sure the area in front of tractor is clear of other people and objects.

TO ROLL TRACTOR OFF SKID (See Operation section for location and function of controls)

1. Raise attachment lift lever to its highest position.
2. Release parking brake by depressing clutch/brake pedal.
3. Place gearshift lever in neutral position.
4. Roll tractor forward off skid.
5. Remove banding holding the deflector shield up against tractor.

Continue with the instructions that follow.

CHECK TIRE PRESSURE

The tires on your tractor were overinflated at the factory for shipping purposes. Correct tire pressure is important for best cutting performance.

- Reduce tire pressure to PSI shown on tires.

CHECK DECK LEVELNESS

For best cutting results, mower housing should be properly leveled. See "TO LEVEL MOWER" in the Service and Adjustments section of this manual.

CHECK FOR PROPER POSITION OF ALL BELTS

See the figures that are shown for replacing motion and mower blade drive belts in the Service and Adjustments section of this manual. Verify that the belts are routed correctly.

CHECK BRAKE SYSTEM

After you learn how to operate your tractor, check to see that the brake is operating properly. See "TO CHECK BRAKE" in the Service and Adjustments section of this manual.

✓ CHECKLIST

Before you operate your new tractor, we wish to assure that you receive the best performance and satisfaction from this Quality Product.

Please review the following checklist:

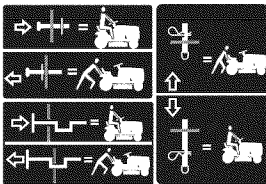
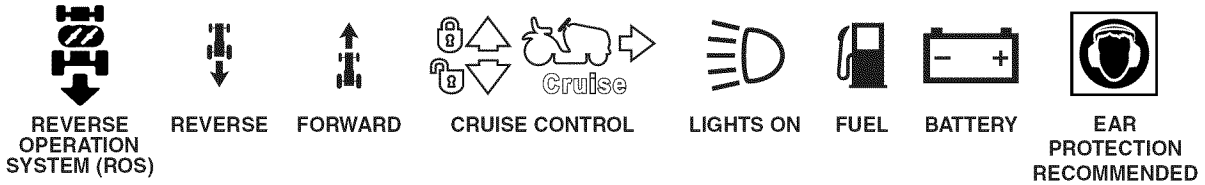
- ✓ All assembly instructions have been completed.
- ✓ No remaining loose parts in carton.
- ✓ Battery is properly prepared and charged.
- ✓ Seat is adjusted comfortably and tightened securely.
- ✓ All tires are properly inflated. (For shipping purposes, the tires were overinflated at the factory).
- ✓ Ensure mower deck is properly leveled side-to-side/front-to-rear for best cutting results. (Tires must be properly inflated for leveling).
- ✓ Check mower and drive belts. Ensure they are routed properly around pulleys and inside all belt keepers.
- ✓ Check wiring. See that all connections are still secure and wires are properly clamped.
- ✓ Before driving tractor, be sure freewheel control is in "transmission engaged" position (see "To Transport" in the Operation section of this manual).

While learning how to use your tractor, pay extra attention to the following important items:

- ✓ Engine oil is at proper level.
- ✓ Fuel tank is filled with fresh, clean, regular unleaded gasoline.
- ✓ Become familiar with all controls, their location and function. Operate them before you start the engine.
- ✓ Ensure brake system is in safe operating condition.
- ✓ Ensure Operator Presence System and Reverse Operation System (ROS) are working properly (See the Operation and Maintenance sections in this manual).

OPERATION

These symbols may appear on your tractor or in literature supplied with the product. Learn and understand their meaning.



FREE WHEEL
(Automatic Models only)



Failure to follow instructions could result in serious injury or death. The safety alert symbol is used to identify safety information about hazards which can result in death, serious injury and/or property damage.



DANGER indicates a hazard which, if not avoided, will result in death or serious injury.



WARNING indicates a hazard which, if not avoided, could result in death or serious injury.



CAUTION indicates a hazard which, if not avoided, might result in minor or moderate injury.

CAUTION when used **without** the alert symbol, indicates a situation that **could result in damage to the tractor and/or engine.**



HOT SURFACES indicates a hazard which, if not avoided, could result in death, serious injury and/or property damage.

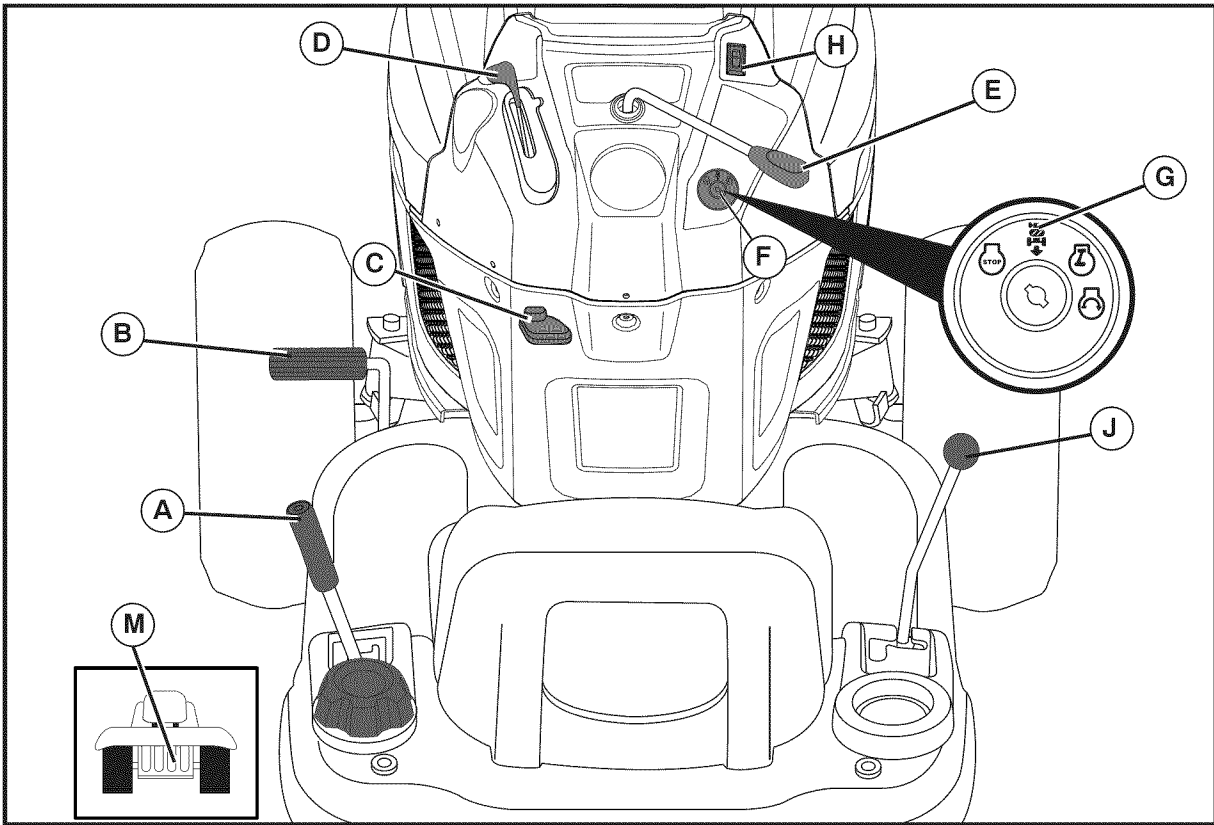


FIRE indicates a hazard which, if not avoided, could result in death, serious injury and/or property damage.

KNOW YOUR TRACTOR

READ THIS OPERATOR'S MANUAL AND SAFETY RULES BEFORE OPERATING YOUR TRACTOR

Compare the illustrations with your tractor to familiarize yourself with the locations of various controls and adjustments. Save this manual for future reference.



Our tractors conform to the applicable safety standards of the American National Standards Institute.

(A) ATTACHMENT LIFT LEVER - Used to raise and lower the mower or other attachments mounted to your tractor.

(B) CLUTCH/BRAKE PEDAL - Used for declutching and braking the tractor and starting the engine.

(C) PARKING BRAKE - Locks clutch/brake pedal into the brake position.

(D) THROTTLE/CHOKE CONTROL - Used for starting and controlling engine speed.

(E) ATTACHMENT CLUTCH LEVER - Used to engage the mower blades, or other attachments mounted to your tractor.

(F) IGNITION SWITCH - Used for starting and stopping the engine.

(G) REVERSE OPERATION SYSTEM (ROS) "ON" POSITION - Allows operation of mower or other powered attachment while in reverse.

(H) LIGHT SWITCH - Turns the headlights on and off.

(J) MOTION CONTROL LEVER - Selects the speed and direction of tractor.

(M) FREEWHEEL CONTROL - Disengages transmission for pushing or slowly towing the tractor with the engine off.

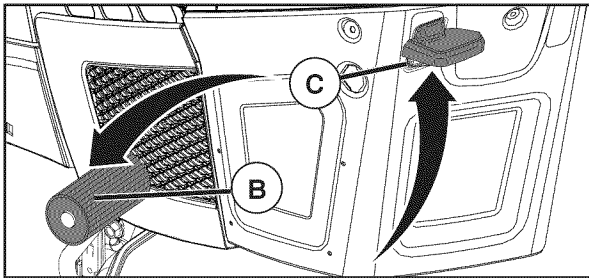


The operation of any tractor can result in foreign objects thrown into the eyes, which can result in severe eye damage. Always wear safety glasses or eye shields while operating your tractor or performing any adjustments or repairs. We recommend standard safety glasses or a wide vision safety mask worn over spectacles.

HOW TO USE YOUR TRACTOR TO SET PARKING BRAKE

Your tractor is equipped with an operator presence sensing switch. When engine is running, any attempt by the operator to leave the seat without first setting the parking brake will shut off the engine.

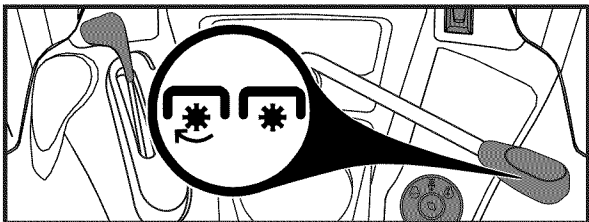
1. Depress clutch/brake pedal (B) all the way down and hold.
2. Pull parking brake lever (C) up and hold, release pressure from clutch/brake pedal (B), then release parking brake lever. Pedal should remain in brake position. Ensure parking brake will hold tractor secure.



STOPPING

MOWER BLADES -

- To stop mower blades, move attachment clutch control to disengaged position (☒).



(☒) Attachment Clutch Control "Engaged"

(☒) Attachment Clutch Control "Disengaged"

GROUND DRIVE -

- To stop ground drive, depress brake pedal all the way down.
- Move motion control lever to neutral position.

ENGINE -

- Move throttle control (D) between half and full speed (fast) position.

NOTE: Failure to move throttle control between half and full speed (fast) position, before stopping, may cause engine to "backfire".

- Turn ignition key (F) to "STOP" position and remove key. Always remove key when leaving tractor to prevent unauthorized use.

- Never use choke to stop engine.

IMPORTANT: Leaving the ignition switch in any position other than "STOP" will cause the battery to discharge and go dead.

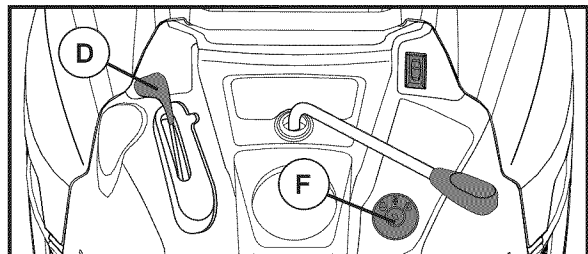
NOTE: Under certain conditions when tractor is standing idle with the engine running, hot engine exhaust gases may cause "browning" of grass. To eliminate this possibility, always stop engine when stopping tractor on grass areas.

CAUTION: Always stop tractor completely, as described above, before leaving the operator's position.

TO USE THROTTLE CONTROL (D)

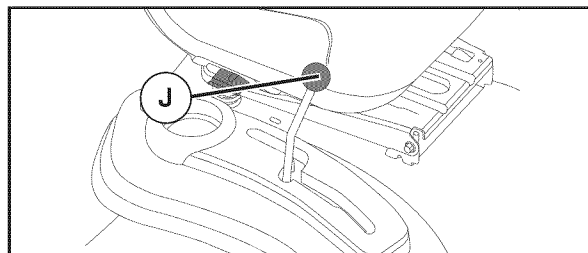
Always operate engine at full speed (fast).

- Operating engine at less than full speed (fast) reduces engine's operating efficiency.
- Full speed (fast) offers the best mower performance.



TO MOVE FORWARD AND BACKWARD

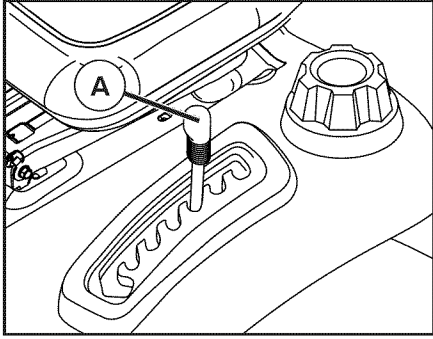
The direction and speed of movement is controlled by the motion control lever. (J)



1. Start tractor with motion control lever in neutral position.
2. Release parking brake.
3. Slowly move motion control lever to desired position.

TO ADJUST MOWER CUTTING HEIGHT

The position of the attachment lift lever (A) determines the cutting height.



- Put attachment lift lever in desired cutting height slot.

The cutting height range is approximately 1 to 4" (25,4 to 101,6 mm). The heights are measured from the ground to the blade tip with the engine not running. These heights are approximate and may vary depending upon soil conditions, height of grass and types of grass being mowed.

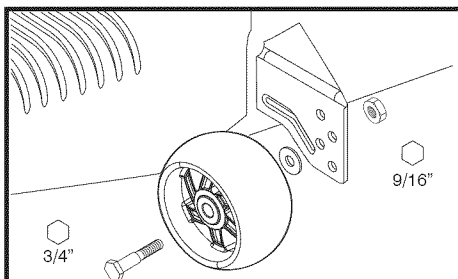
- The average lawn should be cut to approximately 2-1/2" (63,5 mm) during the cool season and to over 3" (76,2 mm) during hot months. For healthier and better looking lawns, mow often and after moderate growth.
- For best cutting performance, grass over 6" (152,4 mm) in height should be mowed twice. Make the first cut relatively high; the second to desired height.

TO ADJUST GAUGE WHEELS

Gauge wheels are properly adjusted when they are slightly off the ground when mower is at the desired cutting height in operating position. Gauge wheels then keep the deck in proper position to help prevent scalping in most terrain conditions.

NOTE: Adjust gauge wheels with tractor on a flat level surface.

1. Adjust mower to desired cutting height (See "TO ADJUST MOWER CUTTING HEIGHT" in this section of manual).



2. With mower in desired height of cut position, gauge wheels should be assembled so they are slightly off the ground. Install gauge wheel in appropriate hole. Tighten securely.
3. Repeat for all, installing gauge wheel in same adjustment hole.

TO OPERATE MOWER

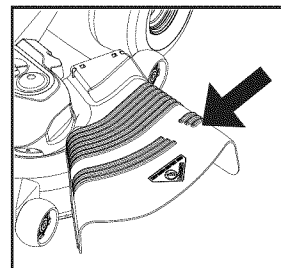
Your tractor is equipped with an operator presence sensing switch. Any attempt by the operator to leave the seat with the engine running and the attachment clutch engaged will shut off the engine. You must remain fully and centrally positioned in the seat to prevent the engine from hesitating or cutting off when operating your equipment on rough, rolling terrain or hills.

1. Select desired height of cut with attachment lift lever.
2. Start mower blades by engaging attachment clutch control.

TO STOP MOWER BLADES

Disengage attachment clutch control.

CAUTION: Do not operate the mower without either the entire grass catcher, on mowers so equipped, or the deflector shield in place.



REVERSE OPERATION SYSTEM (ROS)

Your tractor is equipped with a Reverse Operation System (ROS). Any attempt by the operator to travel in the reverse direction with the attachment clutch engaged will shut off the engine unless ignition key is placed in the ROS "ON" position.

WARNING: Backing up with the attachment clutch engaged while mowing is strongly discouraged. Turning the ROS "ON", to allow reverse operation with the attachment clutch engaged, should only be done when the operator decides it is necessary to reposition the machine with the attachment engaged. **Do not mow in reverse unless absolutely necessary.**

USING THE REVERSE OPERATION SYSTEM -

Only use if you are certain no children or other bystanders will enter the mowing area.

1. Move motion control lever to neutral position.
2. With engine running, turn ignition key counterclockwise to ROS "ON" position.
3. Look down and behind before and while backing.
4. Slowly move motion control lever to reverse (R) position to start movement.
5. When use of the ROS is no longer needed, turn the ignition key clockwise to engine "ON" position.

ROS "ON"
Position



Engine "ON" Position
(Normal Operating)



TO OPERATE ON HILLS

WARNING: Do not drive up or down hills with slopes greater than 15° and do not drive across any slope. Use the slope guide provided at the back of this manual.

- Choose the slowest speed before starting up or down hills.
- Avoid stopping or changing speed on hills.
- If stopping is absolutely necessary, push clutch/brake pedal quickly to brake position and engage parking brake.
- Move motion control lever to neutral position.

IMPORTANT: The motion control lever does not return to neutral position when the clutch/brake pedal is depressed.

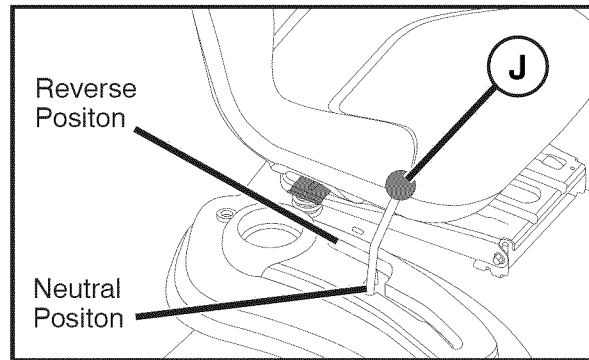
- To restart movement, slowly release parking brake and clutch/brake pedal.
- Slowly move motion control lever to slowest setting.
- Make all turns slowly.

TO TRANSPORT

When pushing or towing your tractor, be sure to disengage transmission by placing freewheel control in freewheeling position. Free wheel control is located at the rear drawbar of tractor.

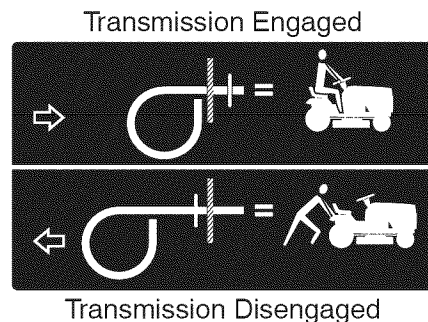
1. Raise attachment lift to highest position with attachment lift control.
2. Move motion control lever into the NEUTRAL position to release tension from transmission.

NOTE: To completely release tension from transmission, it may be necessary to move motion control lever (J) into the REVERSE position first and then shift forward into the NEUTRAL position.



3. Pull freewheel control out until the free wheel control rod locks in extended position.
4. Do not push or tow tractor at more than two (2) mph (3,2 km/h).
5. To reengage transmission, reverse above procedure.

NOTE: Freewheel control will automatically disengage when the brake/clutch pedal is depressed.



NOTE: To protect hood from damage when transporting your tractor on a truck or a trailer, be sure hood is closed and secured to tractor. Use an appropriate means of tying hood to tractor (rope, cord, etc.).

TOWING CARTS AND OTHER ATTACHMENTS

Tow only the attachments that are recommended by and comply with specifications of the manufacturer of your tractor. Use common sense when towing. Too heavy of a load, while on a slope, is dangerous. Tires can lose traction with the ground and cause you to lose control of your tractor.

BEFORE STARTING THE ENGINE


CHECK ENGINE OIL LEVEL

The engine in your tractor has been shipped from the factory already filled with summer weight oil.

1. Check engine oil with tractor on level ground.
 2. Remove oil fill cap/dipstick and wipe clean, reinsert the dipstick and screw cap tight, wait for a few seconds, remove and read oil level. If necessary, add oil until "FULL" mark on dipstick is reached. Do not overfill.
- For cold weather operation you should change oil for easier starting (See the oil viscosity chart in the Maintenance section of this manual).
 - To change engine oil, see the Maintenance section in this manual.

ADD GASOLINE

- Fill fuel tank to bottom of filler neck. Do not overfill. Use fresh, clean, regular gasoline with a minimum of 87 octane. Do not mix oil with gasoline. Purchase fuel in quantities that can be used within 30 days to ensure fuel freshness.

 **CAUTION:** Wipe off any spilled oil or fuel. Do not store, spill or use gasoline near an open flame.

IMPORTANT: When operating in temperatures below 32°F (0°C), use fresh, clean winter grade gasoline to help ensure good cold weather starting.

CAUTION: Alcohol blended fuels (called gasohol or using ethanol or methanol) can attract moisture which leads to separation and formation of acids during storage. Acidic gas can damage the fuel system of an engine while in storage. To avoid engine problems, the fuel system should be emptied before storage of 30 days or longer. Drain the gas tank, start the engine and let it run until the fuel lines and carburetor are empty. Use fresh fuel next season. See Storage Instructions for additional information. Never use engine or carburetor cleaner products in the fuel tank or permanent damage may occur. Fuel stabilizer is an acceptable alternative in minimizing the formation of fuel gum deposits during storage. Add stabilizer to gasoline in fuel tank or storage container. Always follow the mix ratio found on stabilizer container. Run engine at least 10 minutes after adding stabilizer to allow the stabilizer to reach the carburetor. Do not empty the gas tank and carburetor if using fuel stabilizer.

TO START ENGINE

When starting the engine for the first time or if the engine has run out of fuel, it will take extra cranking time to move fuel from the tank to the engine.

1. Ensure freewheel control is in the transmission engaged position.
2. Sit on seat in operating position, depress clutch/brake pedal and set parking brake.
3. Place motion control lever in neutral position.
4. Move attachment clutch to disengaged position.
5. Move throttle control to choke position.

NOTE: Before starting, read the warm and cold starting procedures below.

6. Insert key into ignition and turn key clockwise to start position and release key as soon as engine starts. Do not run starter continuously for more than fifteen seconds per minute. If the engine does not start after several attempts, move throttle control to fast position, wait a few minutes and try again. If engine still does not start, move the throttle control back to the choke position and retry.

WARM WEATHER STARTING

(50°F (10°C) and above)

7. When engine starts, move the throttle control to the fast position.
 - The attachments and ground drive can now be used. If the engine does not accept the load, restart the engine and allow it to warm up for one minute using the choke as described above.

COLD WEATHER STARTING

(50°F (10°C) and below)

7. When engine starts, leave throttle control in choke position until engine warms up and begins to run roughly. Once rough running begins, immediately move the throttle control to the fast position. Engine warm-up may take from several seconds to several minutes (the colder the temperature, the longer the warm-up).

AUTOMATIC TRANSMISSION WARM UP

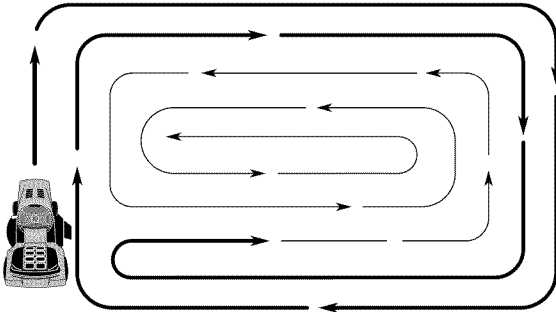
Before driving the unit in cold weather, the transmission should be warmed up as follows:

1. Ensure the tractor is on level ground.
2. Place the motion control lever in neutral. Release the parking brake and let the clutch/brake slowly return to operating position.

3. Allow one minute for transmission to warm up. This can be done during the engine warm up period.
- The attachments can also be used during the engine warm-up period after the transmission has been warmed up.

MOWING TIPS

- DO NOT use tire chains when the mower housing is attached to tractor.
- Mower should be properly leveled for best mowing performance. See "TO LEVEL MOWER HOUSING" in the Service and Adjustments section of this manual.
- The left hand side of mower should be used for trimming.
- Drive so that clippings are discharged onto the area that has already been cut. Have the cut area to the right of the tractor. This will result in a more even distribution of clippings and more uniform cutting.
- When mowing large areas, start by turning to the right so that clippings will discharge away from shrubs, fences, driveways, etc. After one or two rounds, mow in the opposite direction making left hand turns until finished .



- If grass is extremely tall, it should be mowed twice to reduce load and possible fire hazard from dried clippings. Make first cut relatively high; the second to the desired height.
- Do not mow grass when it is wet. Wet grass will plug mower and leave undesirable clumps. Allow grass to dry before mowing.
- **Always operate engine at full throttle when mowing** to assure better mowing performance and proper discharge of material. Regulate ground speed by selecting a low enough gear to give the mower cutting performance as well as the quality of cut desired.
- When operating attachments, select a ground speed that will suit the terrain and give best performance of the attachment being used.

MAINTENANCE

MAINTENANCE SCHEDULE		BEFORE EACH USE	EVERY 8 HOURS	EVERY 25 HOURS	EVERY 50 HOURS	EVERY 100 HOURS	EVERY SEASON	BEFORE STORAGE
TRACTOR	Check Brake Operation	✓	✓					
	Check Tire Pressure	✓	✓					
	Check Operator Presence and ROS Systems	✓						
	Check for Loose Fasteners	✓				✓		✓
	Check/Replace Mower Blades			✓ ₃				
	Lubrication Chart			✓				✓
	Check Battery Level			✓ ₄				
	Clean Battery and Terminals			✓				✓
	Clean Debris off Steering Plate			✓ ₅				
	Check Mower Levelness				✓			
	Check V-Belts					✓		
ENGINE	Check Engine Oil Level	✓	✓					
	Change Engine Oil (models with oil filter)				✓ _{1,2}			✓
	Change Engine Oil (models without oil filter)			✓ _{1,2}				✓
	Clean Air Filter			✓ ₂				
	Clean Air Screen			✓ ₂				
	Inspect Muffler/Spark Arrester				✓			
	Replace Oil Filter (If equipped)					✓ _{1,2}		
	Clean Engine Cooling Fins					✓ ₂		
	Replace Spark Plug					✓	✓	
	Replace Air Filter Paper Cartridge					✓ ₂		
	Replace Fuel Filter						✓	

1 - Change more often when operating under a heavy load or in high ambient temperatures
 2 - Service more often when operating in dirty or dusty conditions.

3 - Replace blades more often when moving in sandy soil.
 4 - Not required if equipped with maintenance-free battery.

5 - See Cleaning in Maintenance Section.

GENERAL RECOMMENDATIONS

The warranty on this tractor does not cover items that have been subjected to operator abuse or negligence. To receive full value from the warranty, operator must maintain tractor as instructed in this manual.

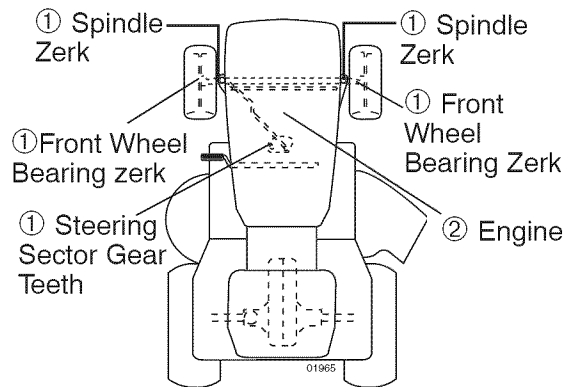
Some adjustments will need to be made periodically to properly maintain your tractor. At least once a season, check to see if you should make any of the adjustments described in the Service and Adjustments section of this manual.

- At least once a year you should replace the spark plug, clean or replace air filter, and check blades and belts for wear. A new spark plug and clean air filter assure proper air-fuel mixture and help your engine run better and last longer.

BEFORE EACH USE

1. Check engine oil level.
2. Check brake operation.
3. Check tire pressure.
4. Check operator presence and ROS systems for proper operation.
5. Check for loose fasteners.

LUBRICATION CHART



- ① General Purpose Grease
- ② Refer to Maintenance "ENGINE" Section.

IMPORTANT: Do not oil or grease the pivot points which have special nylon bearings. Viscous lubricants will attract dust and dirt that will shorten the life of the self-lubricating bearings. If you feel they must be lubricated, use only a dry, powdered graphite type lubricant sparingly.

TRACTOR

Always observe safety rules when performing any maintenance.

BRAKE OPERATION

If tractor requires more than 5 feet (1,5 m) to stop at highest speed in highest gear on a level, dry concrete or paved surface, then brake must be serviced. (See "TO CHECK BRAKE" in the Service and Adjustments section of this manual).

TIRES

- Maintain proper air pressure in all tires (See the side of tires for proper PSI.)
- Keep tires free of gasoline, oil, or insect control chemicals which can harm rubber.
- Avoid stumps, stones, deep ruts, sharp objects and other hazards that may cause tire damage.

NOTE: To seal tire punctures and prevent flat tires due to slow leaks, tire sealant may be purchased from your local parts dealer. Tire sealant also prevents tire dry rot and corrosion.

OPERATOR PRESENCE SYSTEM AND REVERSE OPERATION SYSTEM (ROS)

Be sure operator presence and reverse operation systems are working properly. If your tractor does not function as described, repair the problem immediately.

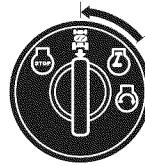
- The engine should not start unless the brake pedal is fully depressed, and the attachment clutch control is in the disengaged position.

CHECK OPERATOR PRESENCE SYSTEM

- When the engine is running, any attempt by the operator to leave the seat without first setting the parking brake should shut off the engine.
- When the engine is running and the attachment clutch is engaged, any attempt by the operator to leave the seat should shut off the engine.
- The attachment clutch should never operate unless the operator is in the seat.

CHECK REVERSE OPERATION (ROS) SYSTEM

- When the engine is running with the ignition switch in the engine "ON" position and the attachment clutch engaged, any attempt by the operator to drive in reverse should shut off the engine.
- When the engine is running with the ignition switch in the ROS "ON" position and the attachment clutch engaged, any attempt by the operator to drive in reverse should NOT shut off the engine.



Ros "On" Position



Engine "On" Position (Normal Operating)

BLADE CARE

For best results mower blades must be sharp. Replace worn, bent or damaged blades.

CAUTION: Use only a replacement blade approved by the manufacturer of your tractor. Using a blade not approved by the manufacturer of your tractor is hazardous, could damage your tractor and void your warranty.

BLADE REMOVAL

1. Raise mower to highest position to allow access to blades.

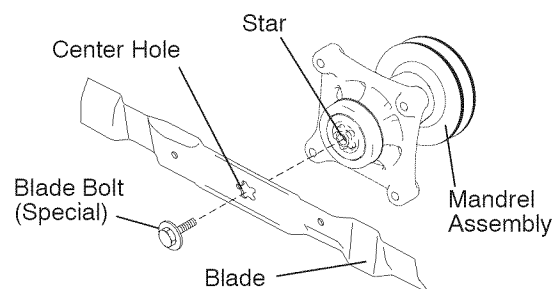
NOTE: Protect your hands with gloves and/or wrap blade with heavy cloth.

2. Remove blade bolt by turning counter-clockwise.
3. Install new blade with stamped "GRASS SIDE" facing the ground.

IMPORTANT: To ensure proper assembly, center hole in blade must align with star on mandrel assembly.

4. Install and tighten blade bolt securely (45-55 Ft. Lbs./62-75 Nm).

IMPORTANT: Special blade bolt is heat treated.



BATTERY

Your tractor has a battery charging system which is sufficient for normal use. However, periodic charging of the battery with an automotive charger will extend its life.

- Keep battery and terminals clean.
- Keep battery bolts tight.
- Keep small vent holes open.
- Recharge at 6-10 amperes for 1 hour.

NOTE: The original equipment battery on your tractor is maintenance free. Do not attempt to open or remove caps or covers. Adding or checking level of electrolyte is not necessary.

TO CLEAN BATTERY AND TERMINALS

Corrosion and dirt on the battery and terminals can cause the battery to "leak" power.

1. Remove terminal guard.
2. Disconnect BLACK battery cable first then RED battery cable and remove battery from tractor.
3. Rinse the battery with plain water and dry.
4. Clean terminals and battery cable ends with wire brush until bright.
5. Coat terminals with grease or petroleum jelly.
6. Reinstall battery (See "REPLACING BATTERY" in the Service and Adjustments section of this manual).

TRANSAXLE MAINTENANCE

The transaxle was sealed at the factory and fluid maintenance is not required for the life of the transaxle. Should the transaxle ever leak or require servicing, contact your nearest Sears or other qualified service center.

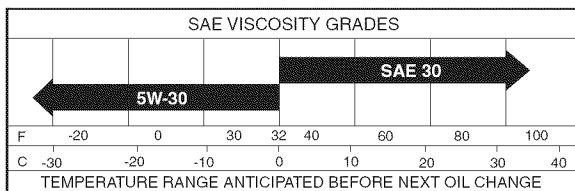
V-BELTS

Check V-belts for deterioration and wear after 100 hours of operation and replace if necessary. The belts are not adjustable. Replace belts if they begin to slip from wear.

ENGINE

LUBRICATION

Only use high quality detergent oil rated with API service classification SG-SL. Select the oil's SAE viscosity grade according to your expected operating temperature.



NOTE: Although multi-viscosity oils (5W30, 10W30 etc.) improve starting in cold weather, they will result in increased oil consumption when used above 32°F/0°C. Check your engine oil level more frequently to avoid possible engine damage from running low on oil.

Change the oil after every 50 hours of operation or at least once a year if the tractor is not used for 50 hours in one year.

Check the crankcase oil level before starting the engine and after each eight (8) hours of operation. Tighten oil fill cap/dipstick securely each time you check the oil level.

TO CHANGE ENGINE OIL

Determine temperature range expected before oil change. All oil must meet API service classification SG-SL.

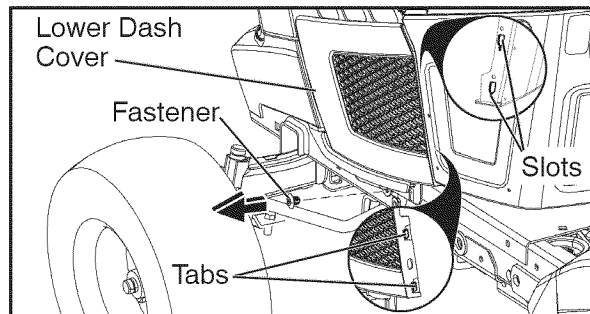
- Ensure tractor is on level surface.
- Oil will drain more freely when warm.
- Catch oil in a suitable container.

LOWER DASH COVER REMOVAL

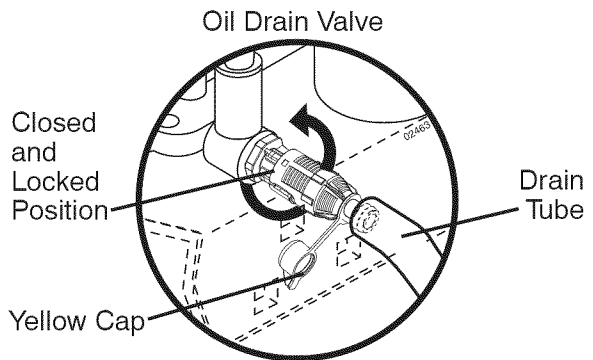
1. Raise hood.
2. Remove fastener from lower dash cover.

CAUTION: Remove lower dash cover carefully to ensure cover tabs are not broken.

3. Slide lower dash cover up to release cover tabs from tapered slots in lower dash and remove.



4. Remove oil fill cap/dipstick. Be careful not to allow dirt to enter the engine when changing oil.
5. Remove yellow cap from end of drain valve and install the drain tube onto the fitting.
6. Unlock drain valve by pushing inward and turning counterclockwise.
7. To open, pull out on the drain valve.



8. After oil has drained completely, close and lock the drain valve by pushing inward and turning clockwise until the pin is in the locked position as shown.
9. Remove the drain tube and replace the cap onto the bottom fitting of the drain valve.
10. Refill engine with oil through oil fill dipstick tube. Pour slowly. Do not overfill. For approximate capacity see "PRODUCT SPECIFICATIONS" section of this manual.

- Use gauge on oil fill cap/dipstick for checking level. Insert dipstick into the tube and rest the oil fill cap on the tube. Do not thread the cap onto the tube when taking reading. Keep oil at "FULL" line on dipstick. Tighten cap onto the tube securely when finished.

ENGINE OIL FILTER

Replace the engine oil filter every season or every other oil change if the tractor is used more than 100 hours in one year.

NOTE: If needed, remove lower dash covers using steps from "Lower dash cover removal" section of this manual.

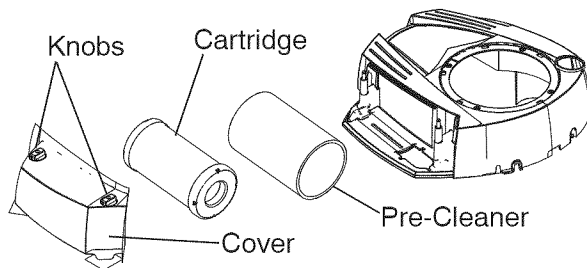
AIR FILTER

Your engine will not run properly using a dirty air filter. Service paper cartridge every 100 hours of operation or every season, whichever occurs first.

Service air cleaner more often under dusty conditions.

NOTE: If needed, remove lower dash covers using steps from "Left Lower Dash Cover Removal" section of this manual.

- Remove cover.
- Carefully remove air filter cartridge and pre-cleaner from base.
- Clean base carefully to prevent debris from falling into carburetor.



NOTE: If very dirty or damaged, replace cartridge.

- Place new pre-cleaner and cartridge firmly in base.
- Replace cover.

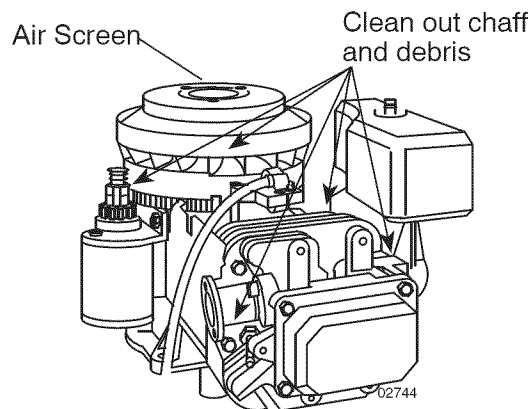
IMPORTANT: Petroleum solvents, such as kerosene, are not to be used to clean the cartridge. They may cause deterioration of the cartridge. Do not oil cartridge. Do not use pressurized air to clean cartridge.

CLEAN AIR SCREEN

The air screen is over the air intake blower located on top of engine. The air screen must be kept free of dirt and chaff to prevent engine damage from overheating. Clean with a wire brush or compressed air to remove dirt and stubborn dried gum fibers.

ENGINE COOLING SYSTEM

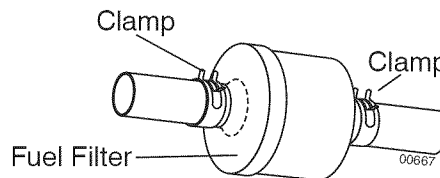
Debris may clog the engine's air cooling system. Remove blower housing and clean area shown to prevent overheating and engine damage.



IN-LINE FUEL FILTER

The fuel filter should be replaced once each season. If fuel filter becomes clogged, obstructing fuel flow to carburetor, replacement is required.

- With engine cool, remove filter and plug fuel line sections.
- Place new fuel filter in position in fuel line with arrow pointing towards carburetor.
- Be sure there are no fuel line leaks and clamps are properly positioned.
- Immediately wipe up any spilled gasoline.



MUFFLER

Inspect and replace corroded muffler and spark arrester (if equipped) as it could create a fire hazard and/or damage.

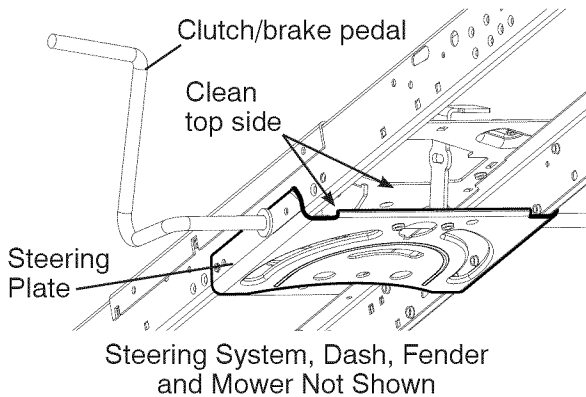
SPARK PLUG(S)

Replace spark plug(s) at the beginning of each mowing season or after every 100 hours of operation, whichever occurs first. Spark plug type and gap setting are shown in "PRODUCT SPECIFICATIONS" section of this manual.

CLEANING

- Clean engine, battery, seat, finish, etc. of all foreign matter.
- Clean debris from steering plate. Debris can restrict clutch/brake pedal shaft movement, causing belt slip and loss of drive.

⚠ CAUTION: Avoid all pinch points and movable parts



- Keep finished surfaces and wheels free of all gasoline, oil, etc.
- Protect painted surfaces with automotive type wax.

Except for the washout port (if equipped), we do not recommend using a garden hose or pressure washer to clean the outside of your tractor unless the engine and transmission are covered to keep water out. Water in engine or transmission will shorten the useful life of your tractor. Use compressed air or a leaf blower to remove grass, leaves and trash from outside tractor and mower.

DECK WASHOUT PORT

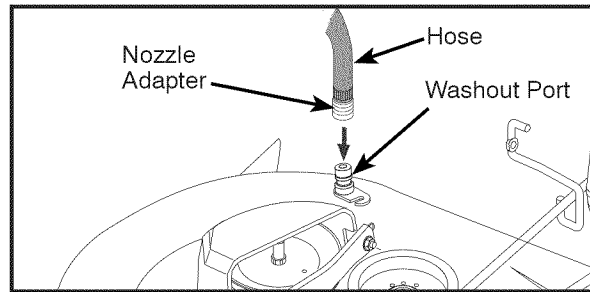
Your tractor's deck is equipped with a washout port on its surface as part of its deck wash system. It should be utilized after each use.

1. Drive the tractor to a level, clear spot on your lawn, near enough to a water spigot for your garden hose to reach.

IMPORTANT: Make certain the tractor's discharge chute is directed AWAY from your house, garage, parked cars, etc. Remove bagger chute or mulch cover if attached.

2. Make sure the attachment clutch control is in the "DISENGAGED" position, set the parking brake, and stop the engine.
3. Thread the nozzle adapter (packaged with your tractor's Operator's Manual) onto the end of your garden hose.

4. Pull back the lock collar of the nozzle adapter and push the adapter onto the deck washout port at the left end of the mower deck. Release the lock collar to lock the adapter on the nozzle.



IMPORTANT: Tug hose ensuring connection is secure.

5. Turn the water on.
6. While sitting in the operator's position on the tractor, re-start the engine and place the throttle lever in the Fast "👉" position.

IMPORTANT: Recheck the area making certain the area is clear.

7. Move the tractor's attachment clutch control to the "ENGAGED" position. **Remain in the operator's position** with the cutting deck engaged until the deck is cleaned.
8. Move the tractor's attachment clutch control to the "DISENGAGED" position. Turn the ignition key to the STOP position to turn the tractor's engine off. Turn the water off.
9. Pull back the lock collar of the nozzle adapter to disconnect the adapter from the nozzle washout port.
10. Move the tractor to a dry area, preferably a concrete or paved area. Place the attachment clutch control in the "ENGAGED" position to remove excess water and to help dry before putting the tractor away.

⚠ WARNING: A broken or missing washout fitting could expose you or others to thrown objects from contact with the blade.

- Replace broken or missing washout fitting immediately, prior to using mower again.
- Plug any holes in mower with bolts and locknuts.

SERVICE AND ADJUSTMENTS



WARNING: TO AVOID SERIOUS INJURY, BEFORE PERFORMING ANY SERVICE OR ADJUSTMENTS:

1. Depress clutch/brake pedal fully and set parking brake.
2. Place motion control lever in neutral position.
3. Place attachment clutch in "DISENGAGED" position.
4. Turn ignition key to "STOP" and remove key.
5. Ensure the blades and all moving parts have completely stopped.
6. Disconnect spark plug wire from spark plug and place wire where it cannot come in contact with plug.

TO REMOVE MOWER

1. Place attachment clutch in "DISENGAGED" position.
2. Lower attachment lift lever to its lowest position.
3. Roll belt off engine pulley (M).
4. Remove retainer spring (K), slide collar (L) off and push housing guide (P) out of bracket.
5. Remove clutch cable spring (Q) from idler arm (R).
6. Disconnect front link (E) from mower - remove retainer spring and washer.
7. Go to either side of mower and disconnect mower suspension arm (A) from chassis pin (B) and rear lift link (C) from rear mower bracket (D) - remove retainer springs and washers.
8. Go to other side of mower and disconnect the suspension arm and rear lift link.

CAUTION: After rear lift links are disconnected, the attachment lift lever will be spring loaded. Have a tight grip on lift lever when changing position of the lever.

9. Slide mower out from under right side of tractor.

IMPORTANT: If an attachment other than the mower is to be mounted on the tractor, remove the front link (E) and rear lift links (C) from tractor and hook the clutch spring (Q) into the cable guide on front edge of lower dash.

TO INSTALL MOWER

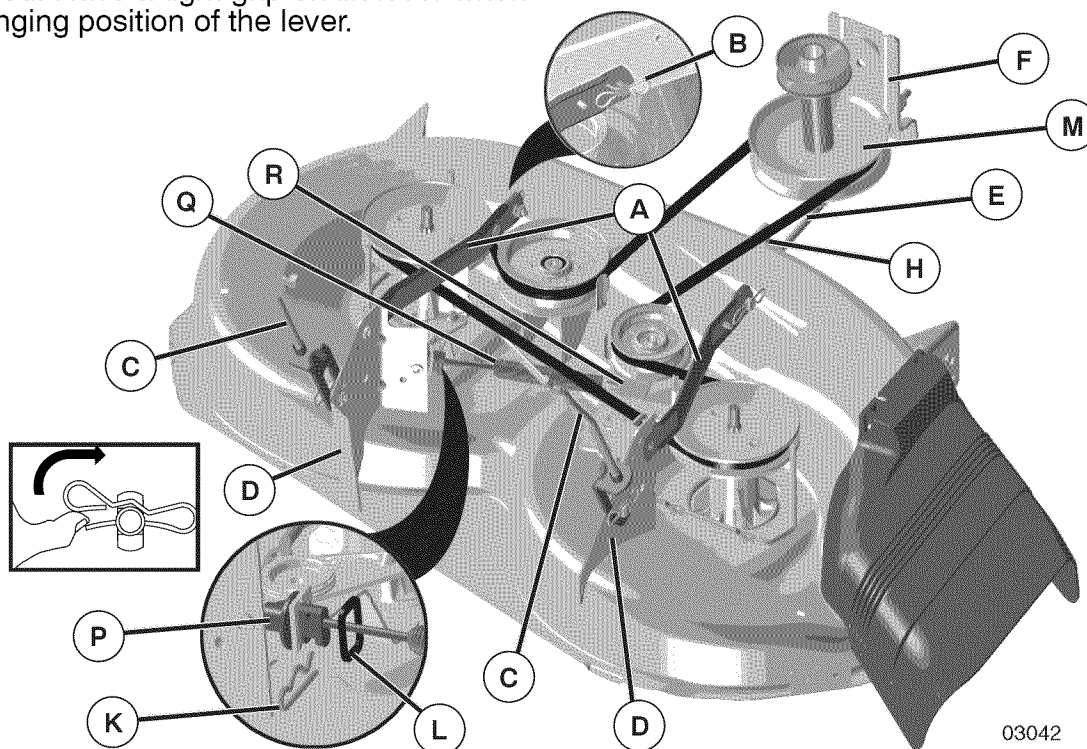
Ensure tractor is on level surface and engage parking brake.

1. Lower attachment lift lever to its lowest position.

CAUTION: Lift lever is spring loaded. Have a tight grip on lift lever, lower it slowly and engage in lowest position.

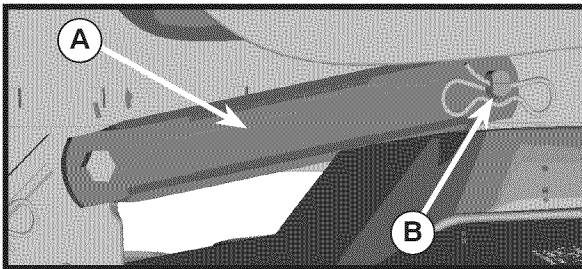
NOTE: Ensure mower side suspension arms (A) are pointing forward before sliding mower under tractor.

2. Slide mower under tractor until it is centered under tractor.

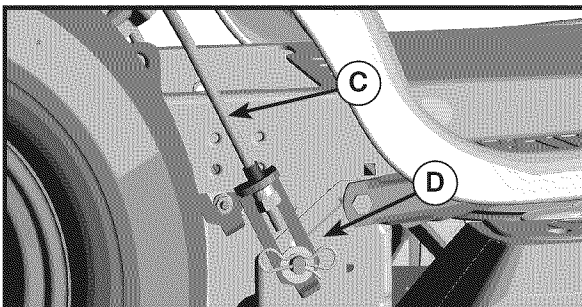


03042

3. ATTACH MOWER SIDE SUSPENSION ARMS (A) TO CHASSIS - Position hole in arm over pin (B) on outside of tractor chassis and secure with retainer spring.
4. Repeat on opposite side of tractor.

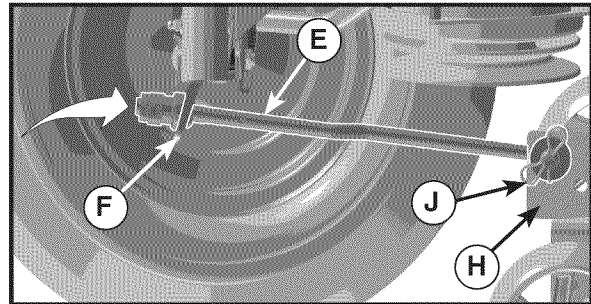


5. ATTACH REAR LIFT LINKS (C) - Lift rear corner of mower and position slot in link assembly over pin on rear mower bracket (D) and secure with washer and retainer spring.
6. Repeat on opposite side of tractor.

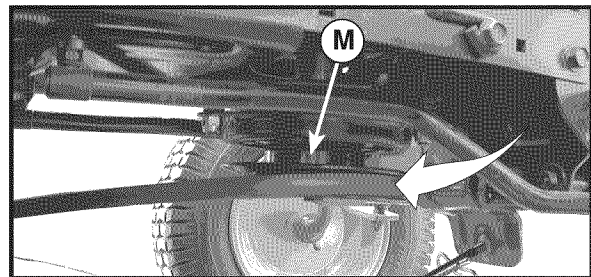


7. ATTACH FRONT LINK (E) - Work from left side of tractor. Insert rod end of link assembly through front hole in tractor front suspension bracket (F).

8. Insert end of link (E) into hole in front mower bracket (H) and secure with washer and retainer spring (J).

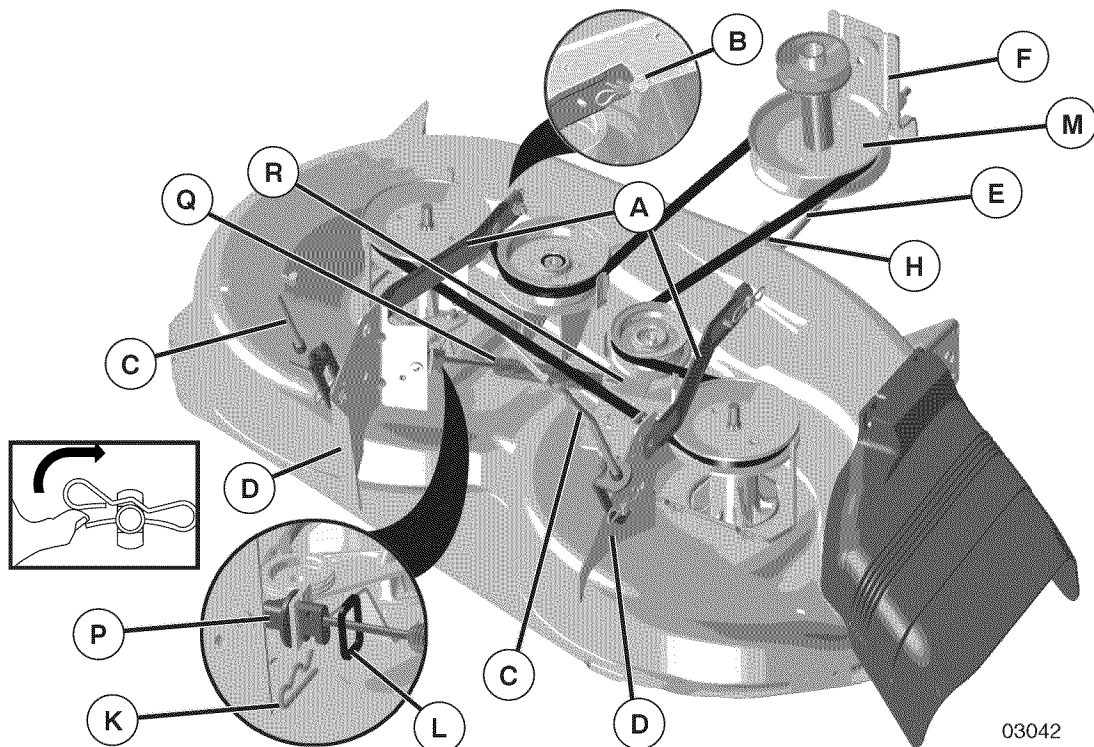


9. Push clutch cable housing guide (P) into bracket, slide collar (L) onto guide and secure with retainer spring (K).
10. Hook end of clutch cable spring (Q) into hole in idler arm (R).
11. Install belt onto engine clutch pulley (M).



IMPORTANT: Check belt for proper routing in all mower pulley grooves.

12. Raise attachment lift lever to highest position.
13. If necessary, adjust gauge wheels before operating mower as shown in the Operation section of this manual.



03042

TO LEVEL MOWER

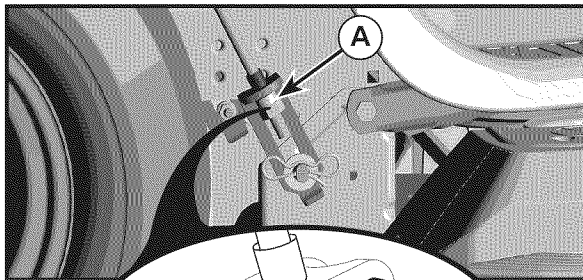
Ensure tires are properly inflated to the PSI shown on tires. If tires are over or under inflated, it may affect the appearance of your lawn and lead you to think the mower is not adjusted properly.

VISUAL SIDE-TO-SIDE ADJUSTMENT

1. With all tires properly inflated and if your lawn appears unevenly cut, determine which side of mower is cutting lower.

NOTE: As desired, you can raise the low side of mower or lower the high side.

2. Go to side of mower you wish to adjust.
3. With a 3/4" or adjustable wrench, turn lift link adjustment nut (A) to the left to lower the mower, or, to the right to raise the mower.



Turn nut right to raise mower

Turn nut left to lower mower

NOTE: Each full turn of adjustment nut will change mower height about 3/16" (4,7 mm).

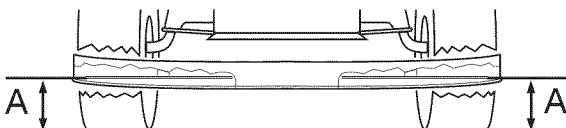
4. Test your adjustment by mowing some uncut grass and visually checking the appearance. Readjust, if necessary, until you are satisfied with the results.

PRECISION SIDE-TO-SIDE ADJUSTMENT

1. With all tires properly inflated, park tractor on level ground or driveway.

CAUTION: Blades are sharp. Protect your hands with gloves and/or wrap blade with heavy cloth.

2. Raise mower to its highest position.
3. At both sides of mower, position blade at side and measure distance "A" from bottom edge of blade to ground. The distance should be the same on both sides.
4. If adjustment is necessary, see steps in Visual Adjustment instructions above.



5. Recheck measurements; adjust if necessary until both sides are equal.

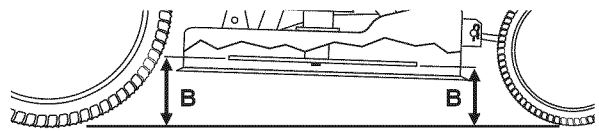
FRONT-TO-BACK ADJUSTMENT

IMPORTANT: Deck must be level side-to-side.

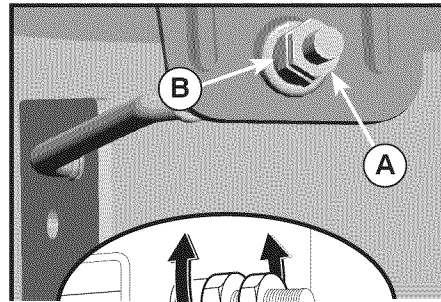
To obtain the best cutting results, the mower blades should be adjusted so the front tip is 1/8 to 1/2" (3,1 to 12,7 mm) (lower than the rear tip when the mower is in its highest position).

CAUTION: Blades are sharp. Protect your hands with gloves and/or wrap blade with heavy cloth.

- Raise mower to highest position.
- Position any blade so the tip is pointing straight forward. Measure distance "B" to the ground at front and rear tip of blade.



- If front tip of blade is not 1/8 to 1/2" (3,1 to 12,7 mm) lower than the rear tip, go to the front of tractor.
- With an 11/16" or adjustable wrench, loosen jam nut "A" several turns to clear adjustment nut "B".
- With a 3/4" or adjustable wrench, turn front link adjustment nut "B" clockwise (↻) (tighten) to raise the front of mower, or, counterclockwise (↺) (loosen) to lower the front mower.



Tighten adjust nut "B" to raise mower

Loosen adjust nut "B" to lower mower

Loosen jam nut "A" first

NOTE: Each full turn of adjustment nut will change mower height about 1/8" (3,1 mm).

- Recheck measurements, adjust if necessary until front tip of blade is 1/8 to 1/2" (3,1 to 12,7 mm) lower than the rear tip.
- Hold adjustment nut in position with wrench and tighten jam nut securely against adjustment nut.

TO REPLACE MOWER BLADE DRIVE BELT

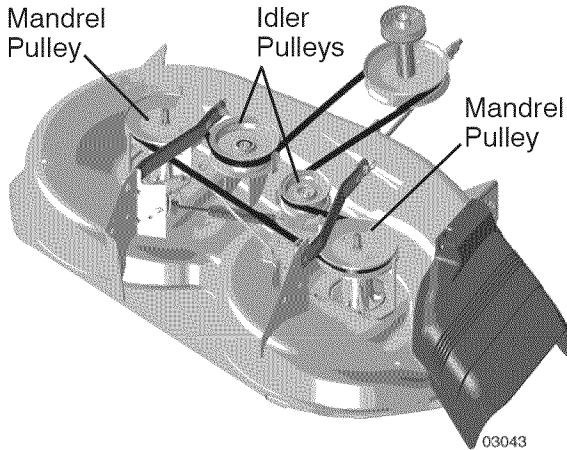
The mower blade drive belt may be replaced without tools. Park the tractor on level surface. Engage parking brake.

BELT REMOVAL -

1. Remove mower from tractor (See "TO REMOVE MOWER" in this section of manual).
2. Work belt off both mandrel pulleys and idler pulleys.
3. Pull belt away from mower.

BELT INSTALLATION -

1. Work belt around both mandrel pulleys and idler pulleys
2. Ensure belt is in all pulley grooves and inside all belt guides.
3. Install mower (See "To Install Mower" in this section of this manual).



TO CHECK BRAKE

If tractor requires more than five (5) feet (1,5 m) to stop at highest speed in highest gear on a level, dry concrete or paved surface, then brake must be serviced.

You may also check brake by:

1. Park tractor on a level, dry concrete or paved surface, depress brake pedal all the way down and engage parking brake.
2. Disengage transmission by placing freewheel control in "transmission disengaged" position. Pull freewheel control out and into the slot and release so it is held in the disengaged position.

The rear wheels must lock and skid when you try to manually push the tractor forward. If the rear wheels rotate, then the brake needs to be serviced. Contact a Sears or other qualified service center.

TO REPLACE MOTION DRIVE BELT

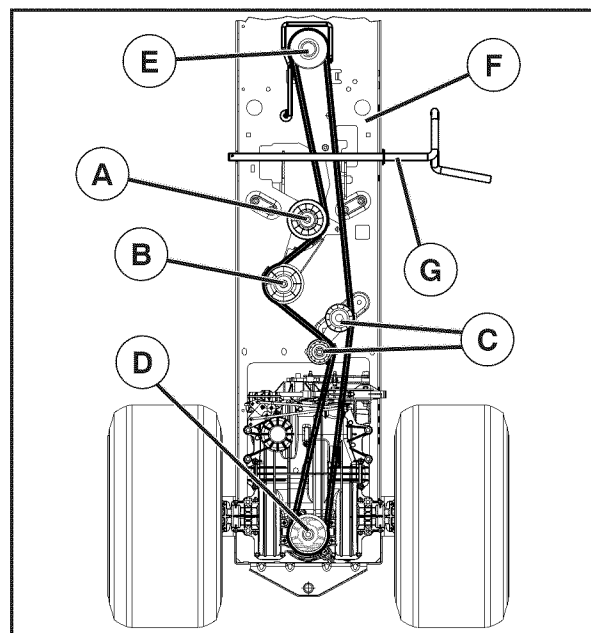
Park the tractor on level surface. Engage parking brake. For assistance, there is a belt installation guide decal on bottom side of left footrest.

BELT REMOVAL -

1. Remove mower (See "TO REMOVE MOWER" in this section of manual).
- NOTE:** Observe entire motion drive belt and position of all belt guides and keepers.
2. Remove belt from stationary idler (A) and clutching idler (B).
3. Remove belt from centerspan idler (C).
4. Pull belt slack toward rear of tractor. Carefully remove belt upwards from transmission input pulley and over cooling fan blades (D).
5. Remove belt downward from engine pulley (E).
6. Slide belt toward rear of tractor, off the steering plate (F) and remove from tractor.

BELT INSTALLATION -

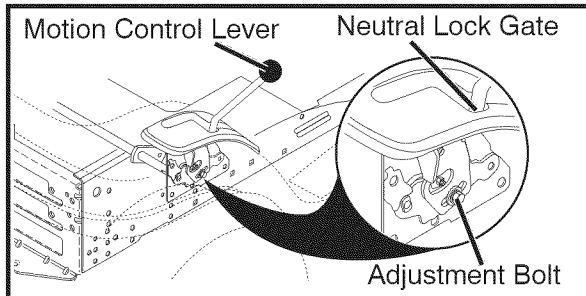
1. Install new belt from tractor rear to front, over the steering plate (F) and above clutch brake pedal shaft (G).
2. Pull belt toward front of tractor and roll belt onto engine pulley (E).
3. Pull belt toward rear of tractor. Carefully work belt down around transmission cooling fan and onto the input pulley (D). Be sure belt is inside the belt keeper.
4. Install belt on centerspan idler (C).
5. Install belt through stationary idler (A) and clutching idler (B).
6. Make sure belt is in all pulley grooves and inside all belt guides and keepers.
7. Install mower (See "TO INSTALL MOWER" in this section of manual).



TRANSAXLE MOTION CONTROL LEVER NEUTRAL ADJUSTMENT

The motion control lever has been preset at the factory and adjustment should not be necessary.

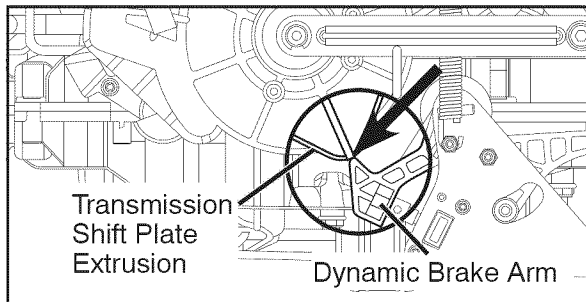
1. Engage the freewheel control lever. (See "TO TRANSPORT" in the Operations section of this manual.)
2. Move the motion control lever until the unit rolls freely.
3. While holding motion control lever in place, loosen the adjustment bolt.
4. Move motion control lever to the neutral (lock gate) position.
5. Tighten adjustment bolt securely.



NOTE: If additional clearance is needed to get to adjustment bolt, move mower deck height to the lowest position.

After above adjustment is made, if the tractor does not reach full forward or reverse speed at the furthest motion control lever location for forward and reverse, follow these steps.

1. Lower attachment lift lever to it's lowest position.
2. Move the shift plate on front of transmission so that the extruded area centerline is in line with the dynamic brake arm.
3. While holding motion control lever in place, loosen the adjustment bolt.
4. Move motion control lever to the neutral (lock gate) position.
5. Tighten adjustment bolt securely.



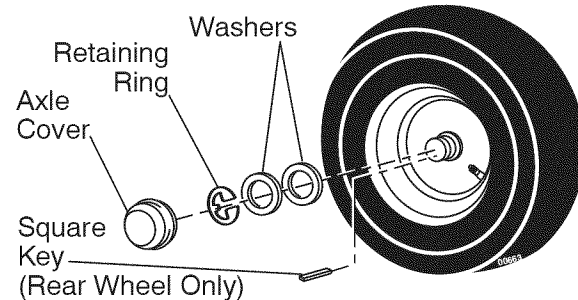
TO REMOVE WHEEL FOR REPAIRS

1. Block up axle securely.
2. Remove axle cover, retaining ring and washers to allow wheel removal (rear wheels have a square key - Do not lose).
3. Repair tire and reassemble.

NOTE: On rear wheels only: align grooves in rear wheel hub and axle. Insert square key.

4. Replace washers and snap retaining ring securely in axle groove.
5. Replace axle cover.

NOTE: To seal tire punctures and prevent flat tires due to slow leaks, purchase and use tire sealant from Sears. Tire sealant also prevents tire dry rot and corrosion.



FRONT WHEEL TOE-IN/CAMBER

Your new tractor front wheel toe-in and camber is set at the factory and is normal. The front wheel toe-in and camber are not adjustable. If damage has occurred to affect the factory set front wheel toe-in or camber, contact a Sears or other qualified service center.

TO START ENGINE WITH WEAK BATTERY

WARNING: Lead-acid batteries generate explosive gases. Keep sparks, flame and smoking materials away from batteries. Always wear eye protection when around batteries.

If your battery is too weak to start the engine, it should be recharged. (See "BATTERY" in the MAINTENANCE section of this manual). If "jumper cables" are used for emergency starting, follow this procedure:

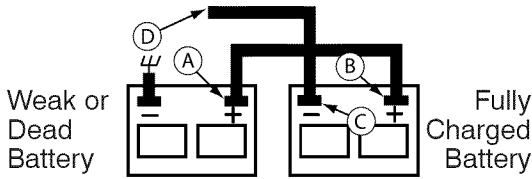
IMPORTANT: Your tractor is equipped with a 12 volt system. The other vehicle must also be a 12 volt system. Do not use your tractor battery to start other vehicles.

TO ATTACH JUMPER CABLES -

1. Connect one end of the RED cable to the POSITIVE (+) terminal of each battery (A-B), taking care not to short against tractor chassis.
2. Connect one end of the BLACK cable to the NEGATIVE (-) terminal (C) of fully charged battery.
3. Connect the other end of the BLACK cable (D) to good chassis ground, away from fuel tank and battery.

TO REMOVE CABLES, REVERSE ORDER -

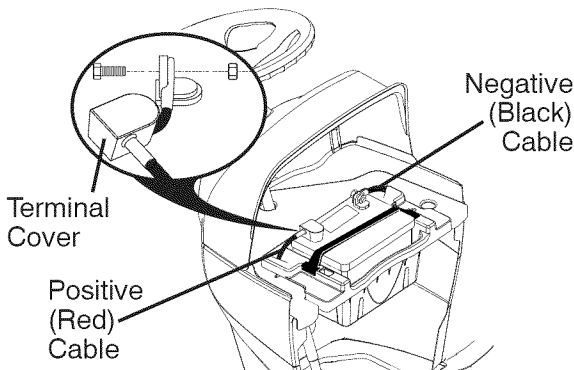
1. BLACK cable first from chassis and then from the fully charged battery.
2. RED cable last from both batteries.



REPLACING BATTERY

⚠ WARNING: Do not short battery terminals by allowing a wrench or any other object to contact both terminals at the same time. Before connecting battery, remove metal bracelets, wristwatch bands, rings, etc. Positive terminal must be connected first to prevent sparking from accidental grounding.

1. Lift hood to raised position.
2. Remove terminal cover.
3. Disconnect BLACK battery cable then RED battery cable and carefully remove battery from tractor.
4. Install new battery with terminals in same position as old battery.
5. Reinstall terminal cover.
6. First connect RED battery cable to positive (+) battery terminal with bolt and nut as shown. Tighten securely.
7. Connect BLACK grounding cable to negative (-) battery terminal with remaining bolt and nut. Tighten securely.
8. Close hood.



TO REPLACE HEADLIGHT BULB

1. Raise hood.
2. Remove bulb holder from the hole in the backside of the grille.
3. Replace bulb in holder and install bulb holder securely back into the hole in the backside of the grille.
4. Close hood.

INTERLOCKS AND RELAYS

Loose or damaged wiring may cause your tractor to run poorly, stop running, or prevent it from starting.

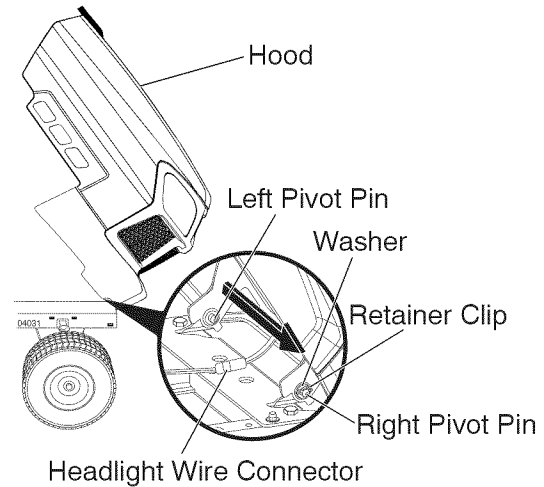
- Check wiring.

TO REPLACE FUSE

Replace with 20 amp automotive-type plug-in fuse. The fuse holder is located behind the dash.

TO REMOVE HOOD & GRILL ASSEMBLY

1. Raise hood.
2. Unsnap headlight wire connector.
3. Remove retainer clip and washer from right hand pivot pin.
4. Stand in front of tractor. Grasp hood at sides and slide left removing hood from pivot pins and lift hood off of tractor.
5. When replacing hood, reconnect the headlight wire connector, and reinstall the washer and retainer clip on the right hand pivot pin.



ENGINE

TO ADJUST THROTTLE CONTROL CABLE

The throttle control has been preset at the factory and adjustment should not be necessary. Check adjustment as described below before loosening cable. If adjustment is necessary, see engine manual.

TO ADJUST CHOKE CONTROL

The choke control has been preset at the factory and adjustment should not be necessary. If adjustment is necessary, see engine manual.

STORAGE

Immediately prepare your tractor for storage at the end of the season or if the tractor will not be used for 30 days or more.

⚠ WARNING: Never store the tractor with gasoline in the tank inside a building where fumes may reach an open flame or spark. Allow the engine to cool before storing in any enclosure.

TRACTOR

Remove mower from tractor for winter storage. When mower is to be stored for a period of time, clean it thoroughly, remove all dirt, grease, leaves, etc. Store in a clean, dry area.

1. Clean entire tractor (See "CLEANING" in the Maintenance section of this manual).
2. Inspect and replace belts, if necessary (See belt replacement instructions in the Service and Adjustments section of this manual).
3. Lubricate as shown in the Maintenance section of this manual.
4. Ensure that all nuts, bolts and screws are securely fastened. Inspect moving parts for damage, breakage and wear. Replace if necessary.
5. Touch up all rusted or chipped paint surfaces; sand lightly before painting.

BATTERY

- Fully charge the battery for storage.
- After a period of time in storage, battery may require recharging.
- To help prevent corrosion and power leakage during long periods of storage, battery cables should be disconnected and battery cleaned thoroughly (see "TO CLEAN BATTERY AND TERMINALS" in the Maintenance section of this manual).
- After cleaning, leave cables disconnected and place cables where they cannot come in contact with battery terminals.
- If battery is removed from tractor for storage, do not store battery directly on concrete or damp surfaces.
- If unit is equipped with battery indicator/charging plug, an optional charging unit may be purchased and connected to the unit to charge the battery during long term storage. Inspect and clean the battery terminals as needed prior to long term storage with charger connected.

ENGINE

FUEL SYSTEM

IMPORTANT: It is important to prevent gum deposits from forming in essential fuel system parts such as carburetor, fuel hose, or tank during storage. Also, alcohol blended fuels (called gasohol or using ethanol or methanol) can attract moisture which leads to separation and formation of acids during storage. Acidic gas can damage the fuel system of an engine while in storage.

- Empty the fuel tank by starting the engine and letting it run until the fuel lines and carburetor are empty.
- Never use engine or carburetor cleaner products in the fuel tank or permanent damage may occur.
- Use fresh fuel next season.

NOTE: Fuel stabilizer is an acceptable alternative in minimizing the formation of fuel gum deposits during storage. Add stabilizer to gasoline in fuel tank or storage container. Always follow the mix ratio found on stabilizer container. Run engine at least 10 minutes after adding stabilizer to allow the stabilizer to reach the carburetor. Do not empty the gas tank and carburetor if using fuel stabilizer.

ENGINE OIL

Drain oil (with engine warm) and replace with clean engine oil. (See "ENGINE" in the Maintenance section of this manual).

CYLINDER(S)

1. Remove spark plug(s).
2. Pour one ounce (29.5 mL) of oil through spark plug hole(s) into cylinder(s).
3. Turn ignition key to "START" position for a few seconds to distribute oil.
4. Replace with new spark plug(s).

OTHER

- Do not store gasoline from one season to another.
- Replace your gasoline can if your can starts to rust. Rust and/or dirt in your gasoline will cause problems.
- If possible, store your tractor indoors and cover it to give protection from dust and dirt.
- Cover your tractor with a suitable protective cover that does not retain moisture. Do not use plastic. Plastic cannot breathe which allows condensation to form and will cause your tractor to rust.

IMPORTANT: Never cover tractor while engine and exhaust areas are still warm.


TROUBLESHOOTING CHART:

See appropriate section in manual unless directed to Sears service center

PROBLEM		CAUSE		CORRECTION
Will not start	1	Out of fuel.	1	Fill fuel tank.
	2	Engine not "CHOKED" properly.	2	See "TO START ENGINE" in Operation section.
	3	Engine flooded.	3	Wait several minutes before attempting to start.
	4	Bad spark plug.	4	Replace spark plug.
	5	Dirty air filter.	5	Clean/replace air filter.
	6	Dirty fuel filter.	6	Replace fuel filter.
	7	Water in fuel.	7	Empty fuel tank and carburetor, refill tank with fresh gasoline and replace fuel filter.
	8	Loose or damaged wiring.	8	Check all wiring.
	9	Engine valves out of adjustment.	9	Contact a Sears or other qualified service center.
Hard to start	1	Dirty air filter.	1	Clean/replace air filter.
	2	Bad spark plug.	2	Replace spark plug.
	3	Weak or dead battery.	3	Recharge or replace battery.
	4	Dirty fuel filter.	4	Replace fuel filter.
	5	Stale or dirty fuel.	5	Empty fuel tank and refill tank with fresh, clean gasoline.
	6	Loose or damaged wiring.	6	Check all wiring.
	7	Engine valves out of adjustment.	7	Contact a Sears or other qualified service center.
Engine will not turn over	1	Clutch/brake pedal not depressed.	1	Depress clutch/brake pedal.
	2	Attachment clutch is engaged.	2	Disengage attachment clutch.
	3	Weak or dead battery.	3	Recharge or replace battery.
	4	Blown fuse.	4	Replace fuse.
	5	Corroded battery terminals.	5	Clean battery terminals.
	6	Loose or damaged wiring.	6	Check all wiring.
	7	Faulty ignition switch.	7	Check/replace ignition switch.
	8	Faulty solenoid or starter.	8	Check/replace solenoid or starter.
	9	Faulty operator presence switch(es).	9	Contact a Sears or other qualified service center.
Engine clicks but will not start	1	Weak or dead battery.	1	Recharge or replace battery.
	2	Corroded battery terminals.	2	Clean battery terminals.
	3	Loose or damaged wiring.	3	Check all wiring.
	4	Faulty solenoid or starter.	4	Check/replace solenoid or starter.

TROUBLESHOOTING CHART:

See appropriate section in manual unless directed to Sears service center

PROBLEM		CAUSE		CORRECTION
Loss of power	1	Cutting too much grass/too fast.	1	Raise cutting height/reduce speed.
	2	Throttle in "CHOKE" position.	2	Adjust throttle control.
	3	Build-up of grass, leaves and trash under mower.	3	Clean underside of mower housing.
	4	Dirty air filter.	4	Clean/replace air filter.
	5	Low oil level/dirty oil.	5	Check oil level/change oil.
	6	Faulty spark plug.	6	Clean and regap or change spark plug.
	7	Dirty fuel filter.	7	Replace fuel filter.
	8	Stale or dirty fuel.	8	Empty fuel tank and refill tank with fresh, clean gasoline.
	9	Water in fuel.	9	Empty fuel tank and carburetor, refill tank with fresh gasoline and replace fuel filter.
	10	Spark plug wire loose.	10	Connect and tighten spark plug wire.
	11	Dirty engine air screen/fins.	11	Clean engine air screen/fins.
	12	Dirty/clogged muffler.	12	Clean/replace muffler.
	13	Loose or damaged wiring.	13	Check all wiring.
	14	Engine valves out of adjustment.	14	Contact a Sears or other qualified service center.
Excessive vibration	1	Worn, bent or loose blade.	1	Replace blade. Tighten blade bolt.
	2	Bent blade mandrel.	2	Contact a Sears or other qualified service center.
	3	Loose/damaged part(s).	3	Tighten loose part(s). Replace damaged parts.
Engine continues to run when operator leaves seat with attachment clutch engaged	1	Faulty operator-safety presence control system.	1	Check wiring, switches and connections. If not corrected, contact a Sears or other qualified service center.  CAUTION: DO NOT operate machine until problem is corrected.
Poor cut - uneven cutting	1	Worn, bent or loose blade.	1	Replace blade. Tighten blade bolt.
	2	Mower deck not level.	2	Level mower deck.
	3	Buildup of grass, leaves, and trash under mower.	3	Clean underside of mower housing.
	4	Bent blade mandrel.	4	Contact a Sears or other qualified service center.
	5	Clogged mower deck vent from build-up of grass, leaves, and trash around mandrels.	5	Clean around mandrels to open vent holes.

TROUBLESHOOTING CHART:

See appropriate section in manual unless directed to Sears service center

PROBLEM		CAUSE		CORRECTION
Mower blades will not rotate	1	Obstruction in clutch mechanism.	1	Remove obstruction.
	2	Worn/damaged mower drive belt.	2	Replace mower drive belt.
	3	Frozen idler pulley.	3	Replace idler pulley.
	4	Frozen blade mandrel.	4	Contact a Sears or other qualified service center.
Poor grass discharge	1	Engine speed too slow.	1	Place throttle control in "FAST" position.
	2	Travel speed too fast.	2	Shift to slower speed.
	3	Wet grass.	3	Allow grass to dry before mowing.
	4	Mower deck not level.	4	Level mower deck.
	5	Low/uneven tire air pressure.	5	Check tires for proper PSI.
	6	Worn, bent or loose blade.	6	Replace/sharpen blade. Tighten blade bolt.
	7	Buildup of grass, leaves and trash under mower.	7	Clean underside of mower housing.
	8	Mower drive belt worn.	8	Replace mower drive belt.
	9	Blades improperly installed.	9	Reinstall blades sharp edge down.
	10	Improper blades used.	10	Replace with blades listed in this manual.
	11	Clogged mower deck vent holes from buildup of grass, leaves, and trash around mandrels.	11	Clean around mandrels to open vent holes.
Headlight(s) not working (if so equipped)	1	Light switch is "OFF".	1	Turn light switch "ON".
	2	Bulb(s) or lamp(s) burned out.	2	Replace bulb(s) or lamp(s).
	3	Faulty light switch.	3	Check/replace light switch.
	4	Loose or damaged wiring.	4	Check wiring and connections.
	5	Blown fuse.	5	Replace fuse.
Battery will not charge	1	Bad battery cell(s).	1	Replace battery.
	2	Poor cable connections.	2	Check/clean all connections.
	3	Faulty regulator (if so equipped).	3	Replace regulator.
	4	Faulty alternator.	4	Replace alternator.
Loss of drive	1	Freewheel control in "DISENGAGED" position.	1	Place freewheel control in "ENGAGED" position.
	2	Debris on steering plate (if equipped).	2	See "CLEANING" in the maintenance section.
	3	Motion drive belt worn, damaged, or broken.	3	Replace motion drive belt.
	4	Axle key missing.	4	Install axle key at rear wheel. See "TO REMOVE WHEEL" in the Service and Adjustments section.

TROUBLESHOOTING CHART:

See appropriate section in manual unless directed to Sears service center

PROBLEM		CAUSE		CORRECTION
Engine "backfires" when turning engine "OFF"	1	Engine throttle control not set between half and full speed (fast) position before stopping engine.	1	Move throttle control between half and full speed (fast) position before stopping engine.
Engine dies when tractor is shifted into reverse	1	Reverse operation system (ROS) is not "ON" while mower or other attachment is engaged.	1	Turn ignition key to ROS "ON" position. See Operation section.

NEED MORE HELP?

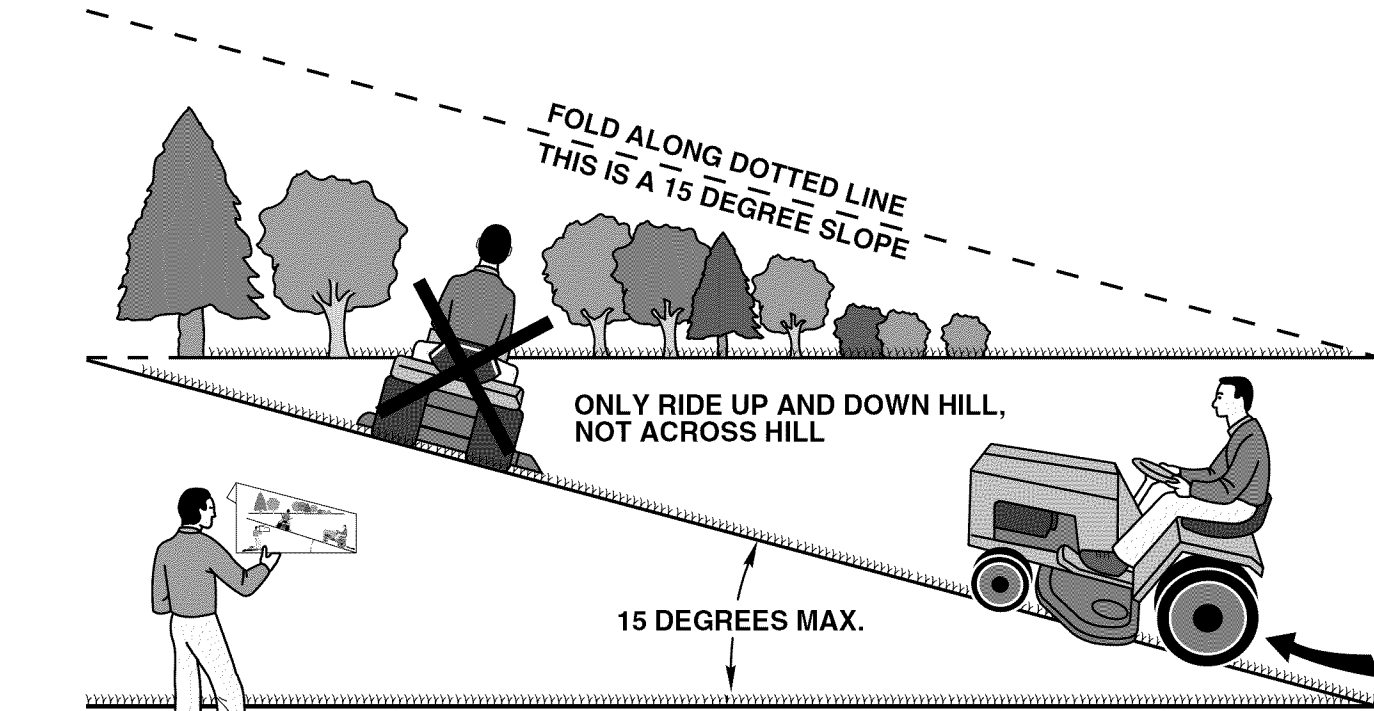
You'll find the answer and more on managemyhome.com – for free!

- Find this and all your other product manuals online.
- Get answers from our team of home experts.
- Get a personalized maintenance plan for your home.
- Find information and tools to help with home projects.

manage  home

brought to you by Sears

SUGGESTED GUIDE FOR SIGHTING SLOPES FOR SAFE OPERATION



WARNING: To avoid serious injury, operate your tractor up and down the face of slopes, never across the face. Do not mow slopes greater than 15 degrees. Make turns gradually to prevent tipping or loss of control. Exercise extreme caution when changing direction on slopes.

1. Fold this page along dotted line indicated above.
2. Hold page before you so that its left edge is vertically parallel to a tree trunk or other upright structure.
3. Sight across the fold in the direction of hill slope you want to measure.
4. Compare the angle of the fold with the slope of the hill.

TABLA DE MATERIAS

Garantía.....	33	Programa de Mantenimiento	47
Reglas de Seguridad.....	34	Servicio y Ajustes	52
Especificaciones del Producto.....	37	Almacenamiento.....	58
Montaje/Pre Operación.....	38	Identificación de Problemas	59
Operación	40	Servicio Sears	Contraportada
Mantenimiento	47		

GARANTÍA

GARANTÍA LIMITADA DE CRAFTSMAN

DURANTE DOS AÑOS a partir de la fecha de compra, todas las piezas no fungibles de este equipo están garantizadas contra defectos en los materiales o la mano de obra. Con el comprobante de compra, una pieza no fungible con defectos se reparará o cambiará de forma gratuita a opción del vendedor.

Garantía limitada de la batería

DURANTE 90 DÍAS a partir de la fecha de compra, la batería (una pieza fungible) de este equipo está garantizada contra defectos en los materiales o la mano de obra. Con el comprobante de compra, usted recibirá una batería nueva, sin cargo. Usted es responsable del coste de la mano de obra de instalación de la batería.

Otras garantías limitadas

En las siguientes garantías adicionales, usted es responsable del coste de la mano de obra de instalación de la pieza después del segundo año de la fecha de compra.

DURANTE CINCO AÑOS a partir de la fecha de compra, el bastidor de este equipo está garantizado contra cualquier defecto en los materiales o la mano de obra. Con el comprobante de compra, usted recibirá un nuevo bastidor, sin cargo.

DURANTE DIEZ AÑOS a partir de la fecha de compra, el eje delantero de este equipo está garantizado contra cualquier defecto en los materiales o en la mano de obra. Con el comprobante de compra, usted recibirá un nuevo eje sin ningún costo.

SIEMPRE QUE SEA USADO por el propietario original después del décimo año a partir de la fecha de compra, el hierro fundido del eje delantero (si lo tiene) de este equipo está garantizado contra cualquier defecto en los materiales o la mano de obra. Con el comprobante de compra, usted recibirá un nuevo hierro fundido del eje delantero de forma gratuita.

SERVICIO DE GARANTÍA

Para obtener detalles de la cobertura de la garantía sobre reparaciones o sustituciones gratuitas, visite la página web: www.craftsman.com/warranty

Sustitución del producto

Si no se puede reparar o sustituir el pieza, usted recibirá un nuevo equipo del mismo modelo o equivalente.

Restricción de garantía

Esta garantía será nula si este producto se utiliza alguna vez para brindar servicios comerciales o si se alquila a otra persona.

Esta garantía cubre ÚNICAMENTE defectos de material y mano de obra. La cobertura de garantía NO incluye:

- Componentes fungibles (excepto la batería) que se puedan desgastar por el uso normal dentro del período de garantía, incluso (pero sin limitarse a ello) hojas, bujías, correas y filtros de aceite, aire y gasolina.
- Servicios de mantenimiento estándar, cambios de aceite o afinaciones.
- Reemplazo o reparación de neumáticos por pinchazos causados por objetos externos como clavos, espinas, tocones o vidrios.
- Reemplazo o reparación de neumáticos o ruedas por desgaste normal, accidentes o por operación o mantenimiento incorrectos.
- Reparaciones necesarias por abuso del operador, incluso (pero sin limitarse a ello) daños causados por remolcar objetos que superen la capacidad del equipo tractor, chocar contra objetos que doblen el bastidor, el conjunto del eje o el cigüeñal o sobrepasar la velocidad del motor.
- Reparaciones necesarias por negligencia del operador, incluso (pero sin limitarse a ello) daños eléctricos y mecánicos causados por el almacenamiento incorrecto, por no usar el grado y la cantidad correctos de aceite de motor, por no mantener del muelle libre de residuos inflamables o por no mantener el equipo tractor de acuerdo con las instrucciones que contiene el manual del operador.
- Limpieza o reparaciones del motor (sistema de combustible) cuando se determina que se usó combustible contaminado y oxidado (sarro). En general, el combustible debe usarse dentro de los 30 días posteriores a su compra.
- Deterioro y desgaste normal de los acabados exteriores o sustitución de rótulos de productos.

Esta garantía le otorga derechos legales específicos, y usted también puede tener otros derechos que varían de un estado a otro.

Sears Brands Management Corporation, Hoffman Estates, IL 60179

REGLAS DE SEGURIDAD

⚠ PELIGRO: Esta Máquina cortadora es capaz de amputar las manos y los pies y de lanzar objetos. Si no se observan las instrucciones de seguridad siguientes se pueden producir lesiones graves o la muerte.

⚠ ADVERTENCIA: Siempre desconecte el alambre de la bujía y póngalo donde no pueda entrar en contacto con la bujía, para evitar el arranque por accidente, durante la preparación, el transporte, el ajuste o cuando se hacen reparaciones.

⚠ ADVERTENCIA: No avance cuesta abajo a punto muerto ya que podría perder el control del tractor.

⚠ ADVERTENCIA: Remolque solamente los accesorios recomendados y conformes a las características indicadas por el fabricante de su tractor. Tenga cuidado y prudencia al utilizar el tractor. Cuando se encuentre en un declive, opere utilizando exclusivamente la velocidad más baja. En caso de un declive una carga excesiva podría resultar peligrosa. Los neumáticos pueden perder la tracción con el suelo y hacerle perder el control de su tractor.

⚠ ADVERTENCIA: El tubo de escape del motor, algunos de sus constituyentes y algunos componentes del vehículo contienen o desprenden productos químicos conocidos en el Estado de California como causa de cáncer y defectos al nacimiento u otros daños reproductivos.

⚠ ADVERTENCIA: Los bornes, terminales y accesorios relativos de la batería contienen plomo o compuestos de plomo, productos químicos conocidos en el Estado de California como causa de cáncer y defectos al nacimiento u otros daños reproductivos. **Lavar las manos después de manipularlos.**

I. NIÑOS

⚠ ADVERTENCIA: LOS NIÑOS PUEDEN SUFRIR DAÑOS CON EL USO DE ESTE EQUIPO. La Academia Estadounidense de Pediatría (American Academy of Pediatrics) recomienda que sólo se permita a niños con una edad mínima de 12 años manejar máquinas cortacésped manuales, y al menos de 16 años para manejar tractores cortacésped.

⚠ ADVERTENCIA: LOS NIÑOS PUEDEN SUFRIR HERIDAS GRAVES O MUERTE A CAUSA DE ESTE EQUIPO. Lea y siga atentamente todas las instrucciones siguientes

Si el operador no pone atención a la presencia de los niños pueden ocurrir accidentes trágicos. Los niños a menudo están atraídos por la máquina y las actividades de cortar. No dar por hecho de que los niños se queden adonde estaban la última vez que los viste.

- Mantener los niños fuera del área de corte y vigilados por un adulto responsable **que no sea el** operador.
- Estar alerta y apagar la máquina si un niño entra en el área.
- Antes y durante la marcha atrás, mirar adelante y abajo para ver si hay niños pequeños.
- Nunca llevar niños, incluso si hay las cuchillas apagadas. Podrían caer y herirse seriamente o interferir con el funcionamiento seguro de la máquina. Los niños que se han llevado precedentemente pueden aparecer de pronto en el área de corte por otro paseo y ser atropellados o tumbados por la máquina.
- Nunca dejar que los niños manipulen la máquina.
- Tener el máximo cuidado cuando se acerca a cantos ciegos, arbustos, árboles u otros objetos que pueden impedir la vista de niños.

II. FUNCIONAMIENTO GENERAL

- Leer, entender y seguir todas las instrucciones sobre la máquina y en el manual antes de empezar.
- No poner las manos o los pies cerca de partes giratorias o debajo de la máquina. Mantener siempre limpia la abertura de descarga.
- Permitir el funcionamiento de la máquina sólo a adultos que tengan familiaridad con las instrucciones.
- Limpiar el área de objetos como piedras, juguetes, cables, etc. que pueden ser recogidos y disparados con las cuchillas.
- Asegurarse de que el área esté libre de otras personas antes de ponerla en marcha. Parar la máquina si alguien entra en el área.
- Nunca llevar pasajeros.
- No cortar marcha atrás al no ser absolutamente necesario. Mirar siempre abajo y delante mientras se procede atrás.
- Nunca dirigir el material descargado hacia nadie. Evitar descargar material contra paredes u obstrucciones. El material podría rebotar hacia el operador. Parar las cuchillas cuando se pasan superficies de grava.
- No maneje la máquina si no tiene la trampa para césped completa, la canaleta de descarga u otros dispositivos de seguridad en su lugar y en funcionamiento.
- Ralentizar antes de girar.

REGLAS DE SEGURIDAD

- Nunca dejar una máquina encendida sin vigilancia. Apagar siempre las cuchillas, poner el freno de estacionamiento, parar el motor, y quitar las llaves antes de bajar.
- Desenganche las hojas cuando no esté cortando césped. Apague el motor y espere hasta que todas las partes se detengan por completo antes de limpiar la máquina, retirar la trampa para césped o destapar la canaleta de descarga.
- Hacer funcionar la máquina sólo con la luz del día o luz artificial buena.
- No hacer funcionar la máquina estando bajo los efectos de alcohol o droga.
- Poner atención al tráfico cuando se opera cerca de calles o se cruzan.
- Poner la máxima atención al cargar o descargar la máquina en una caravana o camión.
- Llevar siempre gafas de protección cuando se hace funcionar la máquina.
- Use protectores de oídos para evitar daños en la audición.
- Los datos indican que los operadores a partir de los 60 años están afectados por un gran porcentaje de heridas relativas a la conducción del cortacésped. Estos operadores tendrían que evaluar su habilidad de hacer funcionar el cortacésped de modo lo bastante seguro para proteger a sí mismos y a otras personas de heridas graves.
- Seguir las recomendaciones del fabricante para los pesos y contrapesos de las ruedas.
- Mantener la máquina libre de hierba, hojas u otros escombros que pueden tocar el tubo de escape / partes del motor calientes y quemarse. No permitir que el puente del cortacésped cargue hojas u otros residuos que pueden causar acumulaciones. Limpiar toda salpicadura de aceite o carburante antes de hacer operaciones sobre la máquina o guardarla. Dejarla enfriar antes de guardarla.
- Poner atenciones a los hoyos, las raíces, los bultos, las piedras u otros objetos escondidos. El terreno irregular puede volcar la máquina. La hierba alta puede esconder obstáculos.
- Escoger una velocidad de marcha baja de modo que no sea necesario pararse o cambiar estando en una pendiente.
- No cortar la hierba mojada. Las ruedas pueden perder tracción. Poner siempre una marcha cuando se está en pendientes.
- No poner en punto muerto e ir cuesta abajo.
- Evitar arrancar, pararse o girar en una pendiente. Si las ruedas pierden tracción, desconectar las cuchillas y proceder despacio cuesta abajo en la pendiente.
- Mantener todo los movimientos en las pendientes lentos y gradual. No hacer cambios repentinos de velocidad o dirección, ya que pueden causar el escape de la máquina.
- Poner la máxima atención cuando la máquina funciona con captadores de hierba u otros dispositivos enganchados; pueden afectar la estabilidad de la máquina. No usar en pendientes empinados.
- No intentar estabilizar la máquina poniendo el pie en el terreno.
- No cortar cerca de bajadas, cunetas y orillas. La máquina puede volcarse improvisamente si una rueda está en el borde o se hunde.
- Si la máquina se para mientras va cuesta arriba, desconectar las cuchillas, poner la marcha atrás y ir hacia atrás despacio.
- No girar estando en pendientes si no es necesario, y luego girar despacio y gradualmente cuesta abajo, si es posible.



III. FUNCIONAMIENTO EN PENDIENTES

Las pendientes son el mayor factor de accidentes relativos a la pérdida de control y vuelco, que pueden causar severas heridas o muerte. El funcionamiento en pendientes requiere una atención extra. Si no es posible hacer marcha atrás en una pendiente o si te sientes incomodo, no la cortes.

⚠ ADVERTENCIA: Al cargar o descargar la máquina, no sobrepase el ángulo máximo recomendado de 15°.

- Cortar hacia arriba y abajo de una pendiente, no de modo horizontal.

IV. REMOLQUE

- Remolcar sólo con una máquina que tenga un gancho diseñado para remolcar. Enganchar el equipo o remolcar sólo en el punto dispuesto al efecto.
- Seguir las recomendaciones del productor con respecto a los límites del equipo por remolcar y el remolque en pendientes.
- Nunca permitir que niños u otras personas estén dentro del equipo por remolcar.
- En pendientes, el peso del equipo remolcado puede causar la pérdida de tracción y la pérdida de control.
- Viajar despacio y dejar más distancia para frenar.

REGLAS DE SEGURIDAD

V. SERVICIO

MANIPULACIÓN SEGURA DE LA GASOLINA

Para evitar heridas personales o daños a las cosas, poner el máximo cuidado a la hora de manipular la gasolina. La gasolina es extremadamente inflamable y los vapores son explosivos.

- Apagar todos los cigarrillos, cigarros, pipas y otras fuentes de ignición.
- Usar sólo contenedores para gasolina aprobados.
- Nunca quitar el tapón de la gasolina o añadir carburante con el motor en marcha.
- dejar enfriar el motor antes del abastecimiento de la gasolina.
- Nunca abastecer la máquina al interior de un local.
- Nunca guardar la máquina o el contenedor del carburante donde haya una llama abierta, chispas o una luz piloto como un calentador de agua u otros dispositivos.
- Nunca llenar los contenedores al interior de un vehículo o en una caravana o camión recubiertos con un forro de plástico. Colocar siempre los contenedores en el terreno lejos del vehículo cuando se está llenando.
- Quitar el equipo de gas del camión o caravana y abastecerlo en el terreno. Si no es posible, abastecer dicho equipo con un contenedor portátil, más bien que de un surtidor de gasolina.
- Mantener la boquilla a contacto del borde del depósito de carburante o la abertura del contenedor durante toda la operación de abastecimiento. No utilizar un dispositivo con boquilla cerrada-abierta.
- Si se vierte carburante sobre la ropa, cambiarse la ropa inmediatamente.
- Nunca llenar el depósito más de lo debido. Volver a colocar el tapón del gas y cerrar de modo firme.

OPERACIONES DE SERVICIO GENERALES

- Nunca hacer funcionar la máquina en un área cerrada.
- Mantener todas las tuercas y pernos apretados para asegurarse de que trabaja en condiciones seguras.
- Nunca manipule los dispositivos de seguridad. Nunca interfiera con la operación de un dispositivo de seguridad o reducir la protección proporcionada por un dispositivo de seguridad. Verifique el funcionamiento correcto con regularidad. NUNCA utilice una máquina con un dispositivo de seguridad que no está funcionando correctamente
- Mantener la máquina libre de hierba, hojas u otros residuos acumulados. Limpiar las salpicaduras de aceite o carburante y quitar cualquier cosa mojada con carburante. Dejar que la máquina se enfríe antes de guardarla.
- Si se golpea un objeto ajeno, hay que pararse e inspeccionar la máquina. Reparar, si es necesario, antes de volver a poner en marcha.
- Nunca hacer ningún ajuste o reparación con el motor en función.
- Verifique los componentes de la trampa para césped y la canaleta de descarga con frecuencia y sustituya con repuestos recomendados por el fabricante cuando sea necesario.
- Las cuchillas del cortacésped son afiladas. Envolver la cuchilla, ponerse guantes y poner la máxima atención cuando se hacen operaciones en ellas.
- Controlar el funcionamiento del freno frecuentemente. Ajustar y hacer las operaciones de mantenimiento cuando eso sea necesario.
- Mantener y sustituir las etiquetas de seguridad e instrucción, cuando sea necesario.




Use protectores de oídos para evitar daños en la audición.



Llevar siempre gafas de protección cuando se hace funcionar la máquina.

ESPECIFICACIONES DEL PRODUCTO

Capacidad y Tipo de Gasolina:	3 Galones / 11,35 L Regular Sin Plomo *
Tipo de Aceite (API: SG-SL):	SAE 30 (sobre 32°F/0°C) SAE 5W30 (deabajo 32°F/0°C)
Capacidad de Aceite:	Con Filtro: 48 Oz./1,4 L Sin Filtro: 44 Oz./1,3 L
Bujía	Champion RC12YC (Abertura: .030"/0,76 mm)
Sistema de Carga:	3 Amps Bateria 5 Amps Luces
Batería:	Amp/Hr: 28 Min. CCA: 230 Modelo Tamaño: U1R
Torsión del Perno de la Cuchilla:	45-55 Ft. Lbs./62-75 Nm

*  Esta máquina puede utilizar gasolina con un contenido de hasta el 10% de etanol (E10). El uso de una gasolina que supere el 10% de etanol (E10) anulará la garantía del producto.

FELICITACIONES por la compra de su tractor. Ha sido diseñado, planificado y fabricado para darle la mejor confiabilidad y el mejor rendimiento posible. En el caso de que se encuentre con cualquier problema que no pueda solucionar fácilmente, haga el favor de ponerse en contacto con un centro de servicio Sears o con un otro centro de servicio cualificado. Cuenta con representantes bien capacitados y competentes y con las herramientas adecuadas para darle servicio o para reparar este tractor.

Haga el favor de leer y de guardar este manual. Estas instrucciones le permitirán montar y mantener su unidad en forma adecuada. Siempre observe las "REGLAS DE SEGURIDAD."

RESPONSABILIDADES DEL CLIENTE

- Lea y observe las reglas de seguridad.
- Siga un programa regular de mantenimiento, cuidado y uso de su tractor.
- Siga las instrucciones descritas en las secciones "Mantenimiento" y "Almacenamiento" de este manual.
- Utilice prendas de seguridad adecuadas al manejar la máquina, incluidos (como mínimo) calzado de seguridad, gafas protectoras y protección auditiva. No utilice pantalones cortos y/o calzado abierto cuando corte la hierba.
- Informe siempre a alguien de que se dispone a cortar la hierba en el exterior.

⚠️ ADVERTENCIA: Este tractor viene equipado con un motor de combustión interna y no se debe usar sobre, o cerca, de un terreno no desarrollado cubierto de bosques, de arbustos o de césped, o menos que el sistema de escape del motor venga equipado con un amortiguador de chispas que cumpla con las leyes locales o estatales (si existen). Si se usa un amortiguador de chispas, el operador debe mantenerlo en condiciones de trabajo eficientes.

En el estado de California, la ley exige lo anterior (Sección 4442 del "California Public Resources Code"). Otros estados pueden contar con otras leyes parecidas. Las leyes federales se aplican en la tierras federales. Su centro de Servicio más cercano tiene disponible amortiguadores de chispas para el silenciador. (Vea la sección de Partes de Repuesto en el manual Inglés del dueño.)

ACUERDOS DE PROTECCIÓN PARA LA REPARACIÓN

Congratulaciones por su buena compra. Su nuevo producto Craftsman® está diseñado y fabricado para funcionar de modo fiable por muchos años. Pero como todos los productos, puede necesitar alguna reparación de tanto en tanto. En este caso tener un Acuerdo de Protección para la Reparación puede hacerles ahorrar dinero y fastidios.

Compre ahora un Acuerdo de Protección para la Reparación y protégese de molestias y gastos inesperados.

Un Acuerdo incluye los puntos siguientes:

- **Servicio experto** de nuestros 12.000 especialistas profesionales en la reparación.
- **Servicio ilimitado sin cargo alguno** para las partes y la mano de obra sobre todas las reparaciones garantizadas.
- **Sustitución del producto** si su producto garantizado no puede ser arreglado.
- **Descuento del 25%** sobre el precio corriente del servicio y de las partes relativas al servicio no cubiertas por el acuerdo; también el 25% menos sobre el precio corriente de un control de mantenimiento preventivo.
- **Ayuda rápida por teléfono** – soporte telefónico por parte de un representante Sears sobre productos que requieren un arreglo en casa, y además una programación sobre los arreglos más convenientes.

Cuando se ha comprado el Acuerdo, basta con una llamada telefónica para programar el servicio. Puede llamar cuando quiera, día y noche o fijar en línea una cita para obtener el servicio. Sears tiene más de 12.000 especialistas profesionales en la reparación, que tienen acceso a más de 4.5 millones de partes y accesorios de calidad.

Este es el tipo de profesionalidad con que puede contar para ayudar a alargar la vida del producto que acaba de comprar, por muchos años. ¡Compre hoy su Acuerdo de Protección para la Reparación!

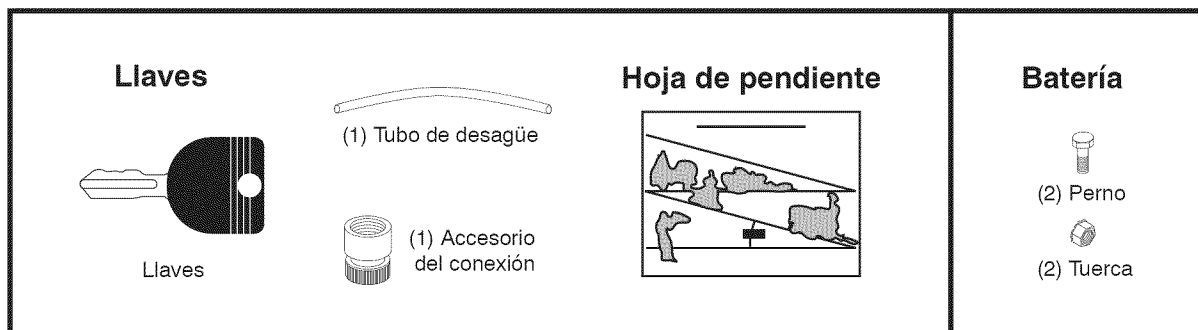
Se aplican algunas limitaciones y exclusiones. Para conocer los precios y tener más información, llame al 1-800-827-6655.

SERVICIO DE INSTALACIÓN SEARS

Para la instalación profesional Sears de aparatos de casa, puertas de garaje, calentadores de agua y otros importantes artículos para la casa, en U.S.A llame a

1-800-4-MY-HOME®

PIEZAS SIN MONTAR



MONTAJE/PRE OPERACIÓN

Su tractor nuevo ha sido montado en la fábrica con la excepción de aquellas partes que no se han montado por razones de envío.

HERRAMIENTAS NECESARIAS PARA EL MONTAJE

Un juego de llaves de tubo facilitará el montaje. A continuación se enumeran los tamaños de las llaves estándar.

- | | |
|---------------------|--------------------|
| (1) Llave de 1/2" | Cuchillo |
| (2) Llaves de 7/16" | Medidor de presión |
| Pinzas | |

Cuando en este manual se mencionan los términos "mano derecha" o "mano izquierda" se refiere a cuando usted se encuentra en la posición de operación (sentado/a detrás del volante de dirección).

PARA REMOVER EL TRACTOR DE LA CAJA DE CARTÓN

DESEMPAQUE LA CAJA DE CARTÓN

- Remueva todas las partes sueltas que estén accesibles, y las cajas de partes, de la caja de cartón grande.
- Cortar a lo largo de las líneas de puntos en todos los cuatro paneles de cartón. Remover los paneles de cierre y aplanar los paneles laterales.
- Revise si hay partes sueltas adicionales o cartón y remuévalas.

ANTES DE REMOVER EL TRACTOR DE LA CORREDERA

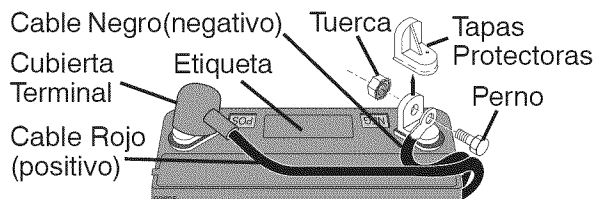
CONEXIÓN DE LA BATERÍA

⚠ ADVERTENCIA: No haga cortocircuito con los terminales de la batería al permitir que una llave de tuerca o cualquier otro objeto entre en contacto con ambos terminales a la misma vez. Antes de instalar la batería remueva las pulseras de metal, los relojes de pulsera de metal, los anillos, etc. El terminal positivo tiene que conectarse primero para evitar las chispas debido a la conexión a tierra por accidente.

AVISO: Si esta batería se pone en funcionamiento después de el mes y año indicado en la etiqueta, (la etiqueta se encuentra entre los terminales) cargue la batería por un mínimo de una hora a 6-10 amps. (Vea "BATERÍA" en la sección de Mantenimiento de este manual.)

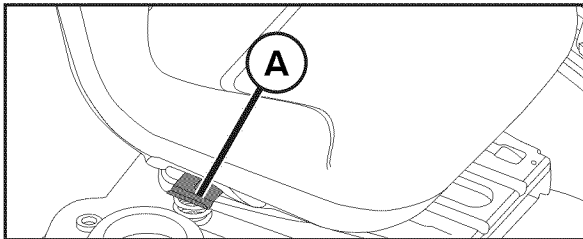
- Determine la ubicación de la batería. La batería estará bajo el asiento o la cubierta.
- Levante la base del asiento o capucha a una posición elevada.
- Remueva las dos tapas protectoras de los terminales y descártelas
- Primero, conecte el cable de la batería ROJO al terminal positivo (+) con el perno y la tuerca como se muestra debajo. Apriételos seguramente. Deslice la tapa del terminal sobre el terminal.
- Conecte el cable de conexión a tierra NEGRO al terminal negativo (-) con el perno hexagonal y la tuerca restantes. Apriételos seguramente.
- Baje el asiento o capucha.

AVISO: Para instale la batería, realice el procedimiento descrito en "REEMPLAZAR LA BATERÍA" del capítulo de Servicio y Ajustes de este manual.



AJUSTE EL ASIENTO

1. Siéntese sobre el asiento.
2. Levante la palanca del ajuste (A) hacia arriba y mueva el asiento hasta que alcance una posición cómoda que le permita presionar completamente sobre el pedal del embrague/freno.
3. Desconecte la palanca para trabar el asiento en la posición.



AVISO: Ahora puede sacar el tractor de la tarima. Continúe usando las instrucciones que siguen para retirar el tractor de la tarima.

⚠ ADVERTENCIA: Antes de empezar, leer, entender y seguir todas las instrucciones presentes en la sección Operaciones de este manual. Asegurarse que el tractor esté en un área bien ventilada. Asegurarse que la zona delante del tractor esté libre de otras personas y objetos.

PARA HACER RODAR EL TRACTOR FUERA DE LA CORREDERA (VEA LA SECCIÓN DE LA OPERACIÓN PARA LA LOCALIDAD Y LA FUNCIÓN DE LOS CONTROLES)

1. Levante la palanca de levantamiento del accesorio a su posición más alta.
2. Suelte el freno de estacionamiento presionando el pedal del embrague/freno.
3. Ponga la palanca de cambios en la posición de neutro.
4. Haga rodar el tractor hacia delante fuera de la corredera.
5. Remueva las bandas que sujetan la protección contra la descarga en contra del tractor.

Continuar con las siguientes instrucciones.

REVISIÓN DE LA PRESIÓN DE LAS LLANTAS

Las llantas en su unidad fueron infladas demasiado en la fábrica por razones de envío. La presión de las llantas correctas es importante para obtener el mejor rendimiento en el corte.

- Reduzca la presión de los neumáticos a la PSI que se indica en estos.

REVISIÓN DE LA NIVELACIÓN DEL CONJUNTO

Para obtener los mejores resultados en el corte, la caja de la segadora tiene que estar nivelada en la forma adecuada. Vea "PARA NIVELAR LA CAJA DE LA SEGADORA" en la sección de Servicio y Ajustes de este manual.

REVISIÓN DE LA POSICIÓN ADECUADA DE TODAS LAS CORREAS

Vea las figuras que aparecen para cambiar las correas de impulsión de la cuchilla de la segadora y de movimiento en la sección de Servicio y Ajustes de este manual. Verifique que las correas sigan su paso correcto.

REVISIÓN DEL SISTEMA DE FRENOS

Una vez que usted haya aprendido a manejar su tractor, verifique que el freno funcione correctamente. Ver "PARA VERIFICAR SI FUNCIONA BIEN EL FRENO" en el capítulo de servicio y ajustes de este manual.

✓ LISTA DE REVISIÓN

Antes de operar y de disfrutar de su tractor nuevo, le deseamos que reciba el mejor rendimiento y la mayor satisfacción de este producto de calidad. Haga el favor de revisar la lista a continuación:

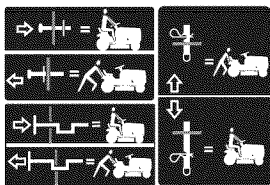
- ✓ Se han completado todas las instrucciones de montaje.
- ✓ No quedan partes sueltas en la caja de cartón.
- ✓ La batería está preparada y cargada en forma adecuada.
- ✓ El asiento ha sido ajustado en forma cómoda y apretado en forma segura.
- ✓ Todas las llantas han sido infladas en forma adecuada. (Para fines de envío, las llantas se inflaron demasiado en la fábrica.)
- ✓ Asegúrese que el conjunto segador esté nivelado en forma adecuada, de lado a lado y desde adelante hacia atrás, para obtener los mejores resultados en el corte. (Las llantas tienen que estar infladas en forma adecuada para la nivelación.)
- ✓ Revise las correas de impulsión y de la segadora. Asegúrese que recorran el paso adecuado alrededor de las poleas y dentro de todos los fijadores de las correas.
- ✓ Revise el alambrado. Fíjese que todas las conexiones todavía estén seguras y que los alambres estén sujetos en forma adecuada.
- ✓ Antes de conducir el tractor, asegúrese que el control de rueda libre este en la posición de "transmisión enganchada" (Vea "PARA TRANSPORTAR" en la sección de la Operación de este manual).

Al mismo tiempo que aprende a como usar su tractor, preste atención extra a los puntos de importancia que se presentan a continuación:

- ✓ El aceite del motor tiene que llegar al nivel adecuado.
- ✓ El estanque de combustible tiene que estar lleno con gasolina sin plomo regular, nueva y limpia.
- ✓ Familiarícese con todos los controles – su ubicación y su función. Opérelos antes de hacer arrancar el motor.
- ✓ Asegúrese que el sistema de frenos esté en una condición de operación segura.
- ✓ Asegurarse de que el Sistema de Presencia del Operador y el Sistema de Funcionamiento Atrás (ROS) funcionan de modo adecuado (Ver las Secciones de Funcionamiento y Mantenimiento en este manual).

OPERACIÓN

Estos símbolos pueden aparecer sobre su tractor o en la literatura proporcionada con el producto. Aprenda y comprenda sus significados.



RUEDA LIBRE
(Solamente para los modelos automático)



No seguir las siguientes instrucciones puede provocar heridas o muerte. Los símbolos de aviso de seguridad se utilizan para identificar informaciones de seguridad relativas a peligros que pueden provocar la muerte, heridas graves y/o daños a la máquina.



PELIGRO indica un peligro que, si no se evita, provoca muerte o lesiones graves.



ADVERTENCIA indica un peligro que, si no se evita, puede provocar muerte o lesiones graves.



PRECAUCIÓN indica un peligro que, si no se evita, puede provocar lesiones ligeras o moderadas.

PRECAUCIÓN cuando se utiliza **sin** el símbolo de aviso, indica una situación que **puede provocar** daños al tractor y/o al motor.



SUPERFICIES CALIENTES indica un peligro que, si no se evita, puede provocar la muerte, lesiones graves y/o daños a la máquina.

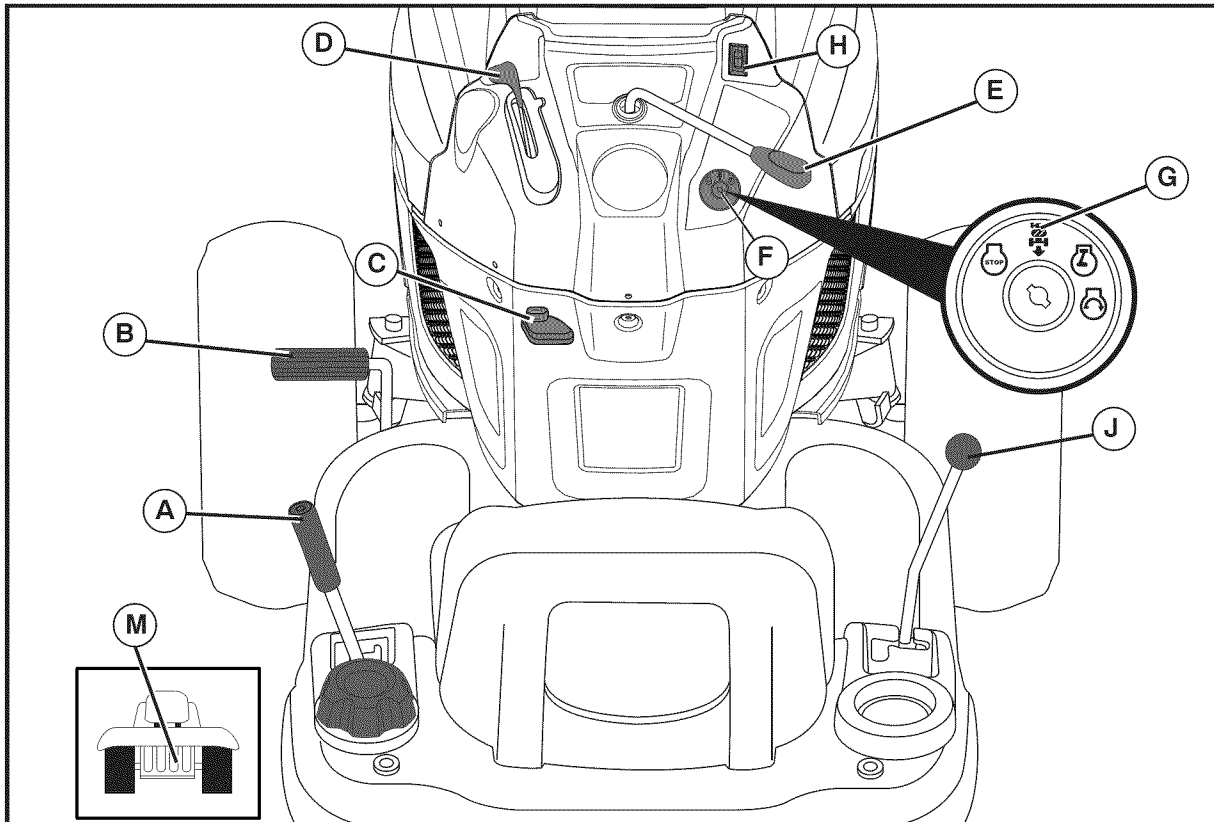


FUEGO indica un peligro que, si no se evita, puede provocar la muerte, lesiones graves y/o daños a la máquina.

FAMILIARICESE CON SU TRACTOR

LEA ESTE MANUAL DEL Y LAS REGLAS DE SEGURIDAD ANTES DE OPERAR SU TRACTOR

Compare las ilustraciones con su tractor para familiarizarse con las ubicaciones de los diversos controles y ajustes. Guarde este manual para referencia en el futuro.



Nuestros tractores cumplen con los estándares de seguridad del American National Standard Institute.

(A) PALANCA DEL LEVANTAMIENTO DEL ACCESORIO - Se usa para levantar, bajar y ajustar el conjunto segador o los demás accesorios montados en su tractor.

(B) PEDAL DEL EMBRAGUE/FRENO - Se usa para desembragar y frenar el tractor y para hacer arrancar el motor.

(C) PALANCA DEL FRENO DE ESTACIONAMIENTO - Asegura el pedal del embrague/freno en la posición del freno.

(D) CONTROL DE ACCELERACIÓN/ESTRANGULACIÓN - Se usa para hacer arrancar y controlar la velocidad del motor.

(E) PALANCA DEL EMBRAGUE DEL ACCESORIO - Se usa para enganchar las cuchillas segadoras, o los demás accesorios montados en su tractor.

(F) INTERRUPTOR DE IGNICIÓN - Se usa para hacer arrancar o hacer parar el motor.

(G) SISTEMA DE FUNCIONAMIENTO HACIA ATRÁS (ROS) EN POSICIÓN "ON" - Permite la operación del conjunto segador o otro accesorio accionado mientras que en revés.

(H) INTERRUPTOR DE LA LUZ - Enciende y apaga las luces delanteras.

(J) PALANCA DE CONTROL DE MOVIMIENTO - Selecciona la velocidad y la dirección del tractor.

(M) CONTROL DE RUEDA LIBRE - Desengancha la transmisión para empujar o arrastrar.

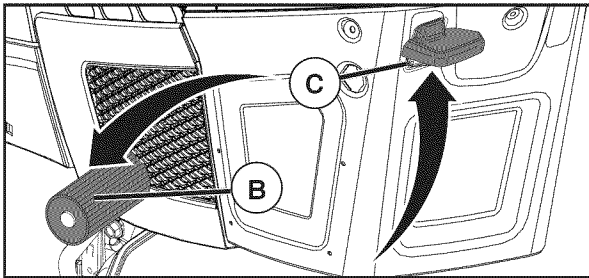


La operación de cualquier tractor puede hacer que salten objetos extraños dentro de sus ojos, lo que puede producir daños graves en éstos. Siempre use anteojos de seguridad o protecciones para los ojos mientras opere su tractor o cuando haga ajustes o reparaciones. Recomendamos gafas de seguridad o una máscara de visión amplia de seguridad usada sobre las gafas.

COMO USAR SU TRACTOR PARA AJUSTAR EL FRENO DE ESTACIONA- MIENTO

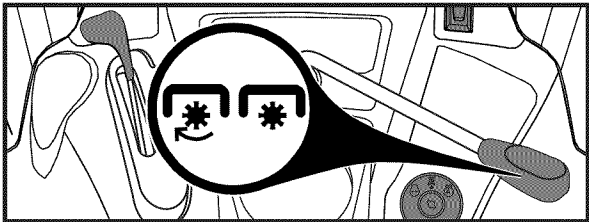
Su tractor viene equipado con un interruptor sensor que exige la presencia del operador. Cuando el motor está funcionando, si el operador trata de bajarse del asiento sin primero aplicar el freno de estacionamiento, se apagará el motor.

1. Presione el pedal (D) del freno/embrague completamente y sostengalo.
2. Jale hacia arriba la palanca del freno de mano (H) y manténgala en esa posición; suelte gradualmente el pedal del embrague/freno (D), y luego suelte la palanca del freno de mano. El pedal tiene que quedar en la posición de freno. Asegúrese que el freno de estacionamiento va a sujetar el tractor en forma segura.



PARADA CUCHILLAS DE LA SEGADORA -

- Mueva la control del embrague del accesorio a la posición desenganchado (☒).



☒ "Enganchado" (Engaged) ☒ "Desenganchado" (Disengaged)

IMPULSIÓN DE RECORRIDO -

- Para parar el mecanismo impulsor, presione el pedal del freno completamente.
- Mueva la palanca de control de movimiento (J) a la posición de neutro.

MOTOR -

- Mover la palanca (D) de mando entre la posición de velocidad media y máxima (rápida).

AVISO: Si no se mueve la palanca de mando entre la posición de velocidad media y máxima (rápida), antes de pararse, se puede causar un "retorno de llama" del motor.

- Gire la llave de ignición (F) a la posición de apagado "STOP" y remueva la llave al abandonar el tractor para evitar el uso no autorizado.

IMPORTANTE: Dejando el interruptor de la ignición en cualquier posición otra que "STOP" causar i que la batería se descargue (muerta).

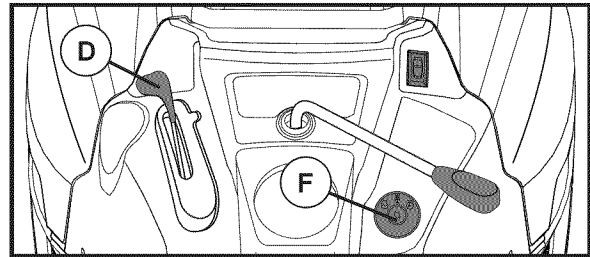
AVISO: Bajo ciertas condiciones, cuando el tractor está parado con el motor andando en vacío, los gases de escape del motor caliente pueden hacer que el césped se ponga "café." Para eliminar esta posibilidad, siempre pare el motor cuando pare el tractor en áreas con césped.

PRECAUCIÓN: Siempre pare el tractor completamente, según se ha descrito anteriormente, antes de abandonar la posición del operador.

PARA USAR EL CONTROL DE LA ACELERACIÓN (D)

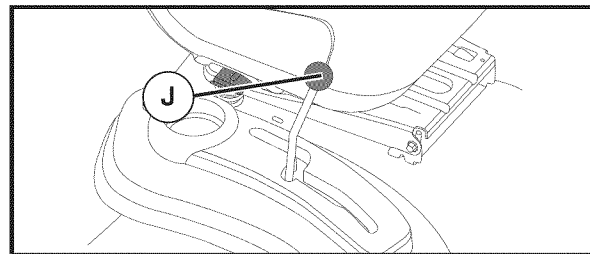
Siempre opere el motor a una aceleración completa.

- Si el motor funciona a una velocidad inferior a la máxima (rápida), su rendimiento disminuye.
- El rendimiento óptimo se obtiene a la velocidad máxima (rápida).



PARA MOVERSE HACIA ADELANTE Y HACIA ATRÁS

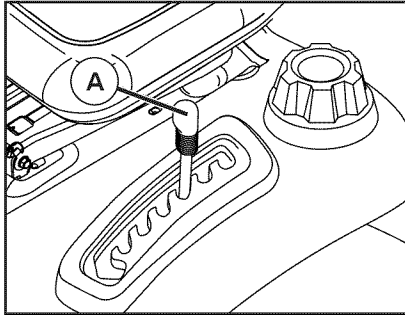
La dirección y la velocidad del movimiento son controladas por medio de la palanca de control de movimiento (J).



1. Haga arrancar el motor con la palanca de control de movimiento en la posición de neutro.
2. Suelte el freno de estacionamiento.
3. Lentamente, mueva la palanca de control de movimiento a la posición deseada.

PARA AJUSTAR LA ALTURA DE CORTE DE LA SEGADORA

La posición de la palanca elevadora (A) determina a qué altura se cortará el césped.



- Coloque la palanca elevadora en la ranura de la altura deseada.

La gama de la altura de corte es de aproximadamente 25,4 to 101,6 mm (1 a 4 pulgadas). Las alturas se miden desde el suelo a la punta de la cuchilla cuando el motor no está funcionando. Estas alturas son aproximadas y pueden variar dependiendo de las condiciones del suelo, de la altura del césped y del tipo del césped que se está segando.

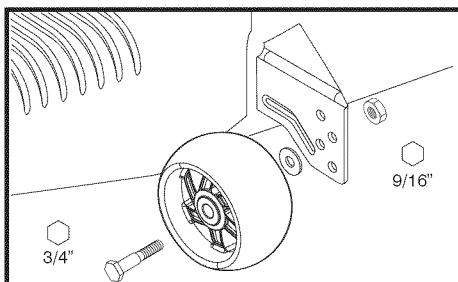
- El césped promedio debe cortarse aproximadamente a 63,5 mm (2-1/2 pulgadas) durante la temporada fría y sobre 76,2 mm (3 pulgadas) durante los meses calurosos. Para obtener un césped más saludable y de mejor apariencia, siegue a menudo y después de un crecimiento moderado.
- Para obtener el mejor rendimiento de corte, el césped que tiene más de 152,4 mm (6 pulgadas) de altura debe segarse dos veces. Haga el primer corte relativamente alto; el segundo a la altura deseada.

PARA AJUSTAR LAS RUEDAS CALIBRADORAS

Las ruedas calibradoras están bien ajustadas cuando se encuentran un poco a distancia del terreno al mismo tiempo que la segadora esté a la altura de corte deseada. Entonces las ruedas calibradoras mantienen el conjunto segador en posición para prevenir el corte raspeo en casi todos los terrenos.

AVISO: Ajuste las ruedas calibradoras con el tractor en una superficie nivelada plana.

1. Ajuste la segadora a la altura de corte deseada con la manilla de ajuste de altura (Vea "PARA AJUSTAR LA ALTURA DE CORTE DE LA SEGADORA" en la sección de Operación de este manual).



2. Con la segadora a la altura deseada para la posición de corte, se tienen que montar las ruedas calibradoras de modo que queden un poco sobre el suelo. Instale las ruedas calibradoras en el agujero adecuado con el perno con resalto, la arandela de 3/8, y la tuerca de seguridad de 3/8-16 y apriételes en forma segura.
3. Repita el procedimiento para el lado opuesto instalando la rueda calibradora en el mismo agujero de ajuste.

PARA OPERAR LA SEGADORA

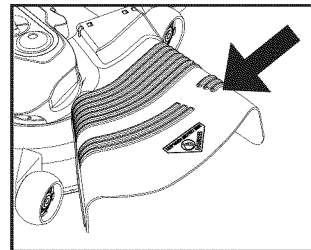
Su tractor viene equipada con un interruptor sensor que exige la presencia del operador. Si el motor está funcionando y el embrague del accesorio está enganchado y el operador trata de bajarse del asiento, se apagará el motor. Tiene que mantenerse sentado completa y centralmente en el asiento para impedir que el motor vacile o se apague cuando se opere su equipo en terreno disperejo, áspero o en cerros.

1. Elija a qué altura cortará el césped por medio de la palanca elevadora.
2. Haga arrancar las cuchillas de la segadora enganchando el control del embrague del accesorio.

PARA PARAR LAS CUCHILLAS DE LA SEGADORA

Desenganche el control del embrague del accesorio.

PRECAUCIÓN: No opere la segadora sin, ya sea, el recogedor de césped completo en las segadoras así equipadas o con la protección contra la descarga en su lugar.



FUNCIONAMIENTO ATRÁS

Tu tractor está equipado con el Sistema de Funcionamiento Atrás (ROS). Cualquier tentativa del operador de viajar marcha atrás con el embrague puesto apagará el motor a menos que la llave de ignición se ponga en la posición de "ON" del ROS.

ATENCIÓN: Ir marcha atrás con el embrague puesto para cortar, no es recomendable. Poniendo el ROS en posición "ON", para permitir el funcionamiento atrás con el embrague puesto, se tiene que hacer sólo cuando el operador lo considera necesario para reposicionar la máquina con el dispositivo embragado. **No siegue en revés a menos que sea absolutamente necesario.**

USAR EL SISTEMA DE FUNCIONAMIENTO ATRÁS -

Utilice el tractor solamente si está seguro de que no ingresarán niños ni otras personas o animales al área donde se va a cortar el césped.

1. Mover la palanca de mando del movimiento en la posición neutro.
2. Con el motor en marcha, girar la llave del interruptor de la ignición en el sentido inverso al de las agujas del reloj hasta la posición "ON".
3. Mire hacia abajo y hacia atrás no sólo antes de ir marcha atrás, sino mientras esté yendo marcha atrás.
4. Mover despacio la palanca de mando del movimiento hacia la posición atrás (R) para empezar el movimiento.
5. Cuando el uso del ROS es más necesario, dé vuelta a la llave de ignición en el sentido de las agujas del reloj hasta la posición "ON".

Posición ROS
"ON"



Motor en posición
"ON"



PARA OPERAR EN CERROS

⚠ ADVERTENCIA: No maneje hacia arriba o hacia abajo en cerros con pendientes superiores a 15° y no maneje atravesando ninguna pendiente. Utilice la guía de la pendiente proporcionada en la parte posterior de este manual.

- Escoja la velocidad más lenta antes de arrancar hacia arriba o hacia abajo en cerros.
- Evite parar o cambiar la velocidad en cerros.
- Si es absolutamente necesario el parar, empuje el pedal del embrague/freno rápidamente a la posición de freno y enganche el freno de estacionamiento.
- Mueva la palanca de control de movimiento a la posición de neutro.

IMPORTANTE: La palanca de control de movimiento no vuelve a la posición de neutro cuando el pedal del embrague/freno está presionado.

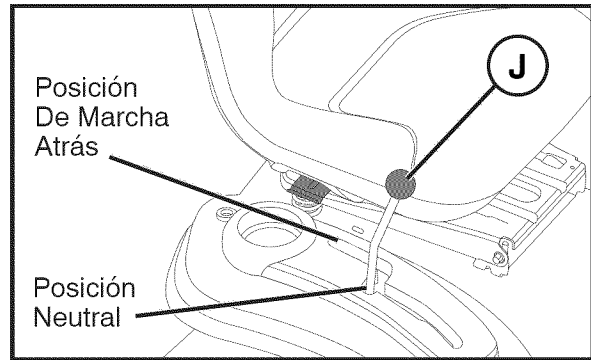
- Para volver a empezar con el movimiento, suelte lentamente, el freno de estacionamiento y el pedal del embrague/freno.
- Lentamente, mueva la palanca de control de movimiento al ajuste más lento.
- Gire siempre lentamente.

PARA TRANSPORTAR

Cuando empuje o arrastre su tractor asegúrese de desenganchar la transmisión poniendo el control de la rueda libre en la posición de marcha de rueda libre. El control de marcha de rueda libre está situado en la barra de tracción trasera del tractor.

1. Levante la palanca de levantamiento del accesorio a su posición más alta.
2. Desplace la palanca de control de movimiento a la posición NEUTRAL para aflojar la tensión de la transmisión.

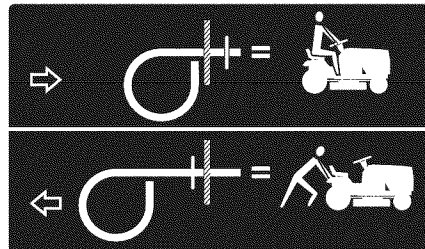
AVISO: Para eliminar la tensión de la transmisión por completo, puede ser necesario desplazar primero la palanca de control de movimiento (J) a la posición de MARCHA ATRÁS y después a la posición NEUTRAL.



3. Retire el control de la rueda libre hasta que la varilla del control se bloquee en posición extendida.
4. No empuje o arrastre el tractor a más de 3,2 km/h (2 mph).
5. Para volver a accionar la transmisión, invierta este procedimiento

AVISO: El control de la rueda libre se desactivará automáticamente al presionar el pedal del freno/embrague.

Transmisión Enganchada



Transmisión Desenganchada

AVISO: Para proteger el capó contra el daño cuando transporte su tractor en un camión o remolcador, asegúrese que el capó esté cerrado y asegurado al tractor. Use los medios apropiados para amarrar el capó al tractor (cuerdas, cordeles, etc.)

REMOLQUE DE CARRETILLAS O OTROS ACCESORIOS

Remolque solamente los accesorios recomendados y especificados por el fabricante del tractor. Use sentido común cuando este remolcando. Las cargas pesadas, cuando este yendo sobre una pendiente, son peligrosas, las llantas pueden perder su tracción con el terreno y pueden ocasionar que pierda el control de su tractor.

ANTES DE HACER ARRANCAR EL MOTOR

REVISE EL NIVEL DE ACEITE DEL MOTOR

El motor de su tractor se envía de fábrica ya lleno con aceite de peso para verano.

1. Revise el aceite del motor con el tractor en terreno nivelado.

2. Remueva la tapa/varilla indicadora de nivel de relleno del aceite y límpielas, vuelva a insertar la varilla indicadora de nivel y atornille la tapa hasta que quede apretada, espere por unos cuantos segundos, remuévala y lea el nivel del aceite. Si es necesario, agregue aceite hasta que se haya alcanzado la marca lleno (FULL) en la varilla indicadora de nivel. No lo llene demasiado.
- Para la operación en clima frío, debe cambiar el aceite para poder arrancar más fácilmente (Vea "Tabla de Viscosidad Del Aceite" en la sección de Mantenimiento de este manual).
- Para cambiar el aceite del motor, vea la sección de Mantenimiento en este manual.

AGREGUE GASOLINA

- Llène el tanque de combustible hasta la parte inferior del cuello de relleno. No lo llene de más. Use gasolina normal nueva y limpia con un mínimo de 87 octanos. No mezcle aceite con gasolina. Compre combustible en cantidades que se puedan usar en 30 días para asegurar la frescura del combustible.

PRECAUCIÓN: Limpie el aceite o el combustible derramado. No almacene, derrame o use gasolina cerca de una llama expuesta.

IMPORTANTE: Cuando se opere en temperaturas por debajo de 32°F (0°C) use gasolina de invierno limpia y nueva para asegurar un buen arranque en clima frío.

PRECAUCIÓN: Los combustibles mezclados con alcohol (llamados gasohol o que usan etanol o metanol) pueden atraer la humedad, lo que provoca la separación y formación de ácidos durante el almacenamiento. El gas ácido puede dañar el sistema de combustible de un motor mientras se encuentra en almacenamiento. Para evitar problemas con el motor, el sistema de combustible se debe vaciar antes del almacenamiento durante 30 días o más. Drene el tanque de gasolina, arranque el motor y hágalo funcionar hasta que las tuberías de combustible y del carburador estén vacías. Use combustible nuevo en la temporada siguiente. Consulte las Instrucciones de Almacenamiento para obtener información adicional. Nunca use productos limpiadores para motor o carburador en el tanque de combustible porque puede provocar daños irreparables. El estabilizador de combustible es una alternativa aceptable para minimizar la formación de depósitos de goma de combustible durante el almacenamiento. Agregue estabilizador a la gasolina en el tanque de combustible o recipiente de almacenamiento. Siga siempre la proporción de mezcla que se encuentra en el recipiente del estabilizador. Deje funcionar el motor al menos durante 10 minutos después de agregar el estabilizador para permitir que el estabilizador llegue al carburador. No vacíe el tanque de gasolina y el carburador si utiliza estabilizador de combustible.

PARA HACER ARRANCAR EL MOTOR

Al hacer arrancar el motor por la primera vez o si se ha acabado el combustible del motor, se necesitará tiempo para el arranque extra para mover el combustible desde el estanque hasta el motor.

1. Asegúrese que el control de rueda libre este en la posición enganchada.
2. Siéntase en el sillón en la posición de operación, suelte el pedal del freno y ponga el freno de estacionamiento.
3. Ponga la palanca de control de movimiento en la posición de neutro.
4. Mueva el embrague del accesorio a la posición desenganchado.
5. Mueva la palanca de control de la aceleración a la posición de estrangulación.

AVISO: Antes de arrancar, lea las instrucciones siguientes para el arranque en clima frío y templado.

6. Inserte la llave en la ignición y gire la llave en el sentido que giran las manillas del reloj a la posición de arranque start, y suelte la llave tan pronto como arranque el motor. No haga funcionar el arrancador continuamente por más de quince segundos por minuto. Si el motor no arranca después de varios intentarlos, mueva el control de la aceleración a la posición de rápido, espere unos cuantos minutos y trate de nuevo. Si el motor sigue sin funcionar, mueva el control de la aceleración a la posición de estrangulación y intente de nuevo.

ARRANQUE CON TIEMPO TEMPLADO (50° F/10°C y más)

7. Cuando arranque el motor, mueva el control de la aceleración a la posición de rápido.
 - Los accesorios y el embrague ahora pueden ser utilizados. Si el motor no acepta esta carga, vuelva a arrancar el motor para permitirle que se caliente por un minuto utilizando el estrangulador como descrito arriba.

ARRANQUE CON TIEMPO FRÍO (50° F/10°C y menos)

7. Al hacer arrancar el motor, mantenga el control de la aceleración a la posición de estrangulación hasta que el motor se caliente y empiece funcionar mal. Una vez que empiece a funcionar mal, mueva inmediatamente el control de la aceleración a la posición rápida. El calentamiento del motor puede tomar a partir de varios segundos a varios minutos (cuanto más fría es la temperatura, más largo es el calentamiento).

CALENTAMIENTO PARA LA TRANSMISION AUTOMATICA

Antes de conducir la unidad en un tiempo frío, la transmisión debe ser calentada como las instrucciones siguientes:

1. Asegúrese que el tractor este situado en una superficie nivelada.
2. Alivie el freno de estacionamiento y deje que el freno vuelva a la posición de operación.

MANTENIMIENTO

PROGRAMA DE MANTENIMIENTO		ANTES DE CADA USO	CADA 8 HORAS	CADA 25 HORAS	CADA 50 HORAS	CADA 100 HORAS	CADA TEMPORADA	ALMACENAMIENTO
TRACTOR	Revisar la operación del freno	✓	✓					
	Revisar la presión de las llantas	✓	✓					
	Verificar la sistemas presencia del operador y sistemas "ROS"	✓						
	Revisar si hay sujetadores sueltos	✓				✓		✓
	Afilar/cambiar las cuchillas de la segadora			✓ ₃				
	Tabla de lubricación			✓				✓
	Revisar el nivel de batería			✓ ₄				
	Limpiar la batería y los tereminales			✓				✓
	Limpe los residuos de la placa de dirección.			✓ ₅				
	Compruebe la nivelación del cortacéspedes				✓			
Inspeccione las correas trapezoidales					✓			
MOTOR	Revisar el nivel del aceite del motor	✓	✓					
	Cambiar el aceite del motor (Modelos con filtro de aceite)				✓ _{1,2}			✓
	Cambiar el aceite del motor (Modelos sin filtro de aceite)			✓ _{1,2}				✓
	Limpiar el filtro de aire			✓ ₂				
	Limpiar la rejilla de aire			✓ ₂				
	Inspeccionar el silenciador/amortiguador de chispas				✓			
	Cambiar el filtro de aceite (si equipado)					✓ _{1,2}		
	Limpiar las aletas de enfriamiento					✓ ₂		
	Cambiar la bujía					✓	✓	
	Cambiar el cartucho de papel del filtro de aire					✓ ₂		
Cambiar el filtro de combustible						✓		

1- Cambiar más a menudo cuando se opere bajo carga pesada o en ambientes con altas temperaturas
2- Dar servicio más a menudo cuando se opere en condiciones sucias o polvorosas.

3- Cambiar las cuchillas más a menudo cuando se siegue en suelo arenoso.
4- No requerido si equipado con una batería libre de mantenimiento.

5- Vea "LIMPIEZA" en la sección de Mantenimiento de este manual.

RECOMENDACIONES GENERALES

La garantía de este tractor no cubre los artículos que han estado sujetos al abuso o a la negligencia del operador. Para recibir todo el valor de la garantía, el operador tiene que mantener la segadora según las instrucciones descritas en este manual.

Hay algunos ajustes que se tienen que hacer en forma periódica para poder mantener su tractor adecuadamente.

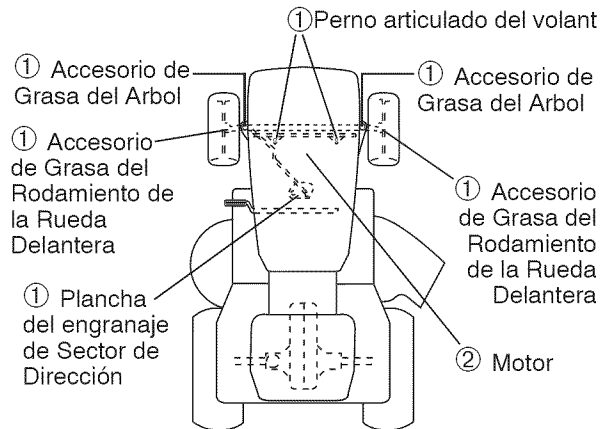
Al menos una vez cada estación comprobar si es necesario efectuar los ajustes descritos en las secciones de Servicio y Ajustes de este manual.

- Una vez al año, cambie la bujía, limpie o cambie el filtro de aire y revise si las cuchillas y las correas están desgastadas. Una bujía nueva y un filtro de aire limpio aseguran una mezcla de aire-combustible adecuada y le ayudan a que su motor funcione mejor y que dure más.

ANTES DE CADA USO

1. Revise el nivel del aceite del motor.
2. Revise la operación de los frenos.
3. Revise la presión de las llantas.
4. Verifique que el sistema de presencia del operado y ROS funcionen adecuadamente.
5. Revise si hay sujetadores sueltos.

TABLA DE LUBRICACIÓN



① Grasa de proposito general

② Refiérase a la sección del "MOTOR" en Mantenimiento

IMPORTANTE: No aceite o engrase los puntas pivotes, los que tienen rodamientos de nilón especiales. Los lubricantes viscosos atraerán polvo y mugre, lo que acortara la duración de los rodamientos auto-lubricarse, use solamente un lubricante tipo grafito de polvo seco in forma moderada.

TRACTOR

Siempre observe las reglas de seguridad cuando dé mantenimiento.

OPERACIÓN DEL FRENO

Si el tractor necesita más de cinco (5) pies (1,5 m) para detenerse a la máxima velocidad al cambio más alto en una superficie nivelada, de hormigón o pavimentada, hay que hacerle el servicio al freno. Ver "PARA VERIFICAR SI FUNCIONA BIEN EL FRENO" en el capítulo de Servicio y ajustes de este manual.

LLANTAS

- Mantenga todos los neumáticos con la presión de aire adecuada (Ver la PSI que se indica en estos).
- Mantenga las llantas sin gasolina, aceite o sustancias químicas para control de insectos que pueden dañar la goma.
- Evite los tocones, las piedras, las grietas profundas, los objetos afilados y otros peligros que pueden dañar a las llantas.

AVISO: Para arreglar las llantas perforadas y péra prevenir que tenga llantas pinchadas a causa de pequeñas fugas, puede comprar el sello para llantas de su comerciante de partes de repuesto más cercano. El sello previene que las llantas se sequen y también la corrosión.

SISTEMA PRESENCIA OPERADOR Y SISTEMA FUNCIONAMIENTO ATRÁS (ROS)

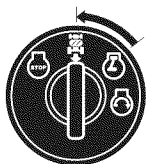
Asegurarse de que el sistema de presencia del operador y el sistema funcionamiento atrás funcionen bien. Si tu tractor no función como descrito, reparar el problema inmediatamente.

- El motor no arrancará si el pedal de embrague/freno está completamente presionado y el mando del embrague del accesorio está desconectado.

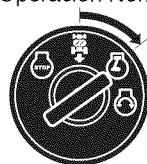
VÉRIFIÉZ SISTEMA PRESENCIA OPERADOR

- Cuando el motor está en marcha, cualquier tentativa del operador de abandonar el asiento sin haber puesto el freno de estacionamiento primero, apagará el motor.
- Cuando el motor está en marcha y el embrague del accesorio está conectado, cualquier tentativa del operador de abandonar el asiento, apagará el motor.
- El embrague del accesorio no tendría que funcionar nunca si el operador no está en su asiento.

Posición ROS "ON"



Motor en posición "ON" (Operación Normal)



VÉRIFIÉZ SISTEMA FUNCIONAMIENTO ATRÁS (ROS)

- Cuando el motor está en marcha con el interruptor de llave en posición de motor "ON" y el embrague del accesorio conectado, cualquier tentativa del operador de viajar marcha atrás, apagará el motor.
- Cuando el motor está en marcha con el interruptor de llave del sistema de funcionamiento atrás (ROS) en la posición "ON" y el embrague del accesorio conectado, cualquier tentativa del operador de viajar marcha atrás, NO apagará el motor.

CUIDADO DE LA CUCHILLA

Para obtener resultados óptimos, las cuchillas de la cortadora deben estar afiladas. Reemplace las cuchillas que estén gastadas, dobladas o dañadas.

REMOCIÓN DE LA CUCHILLA

1. Levante la segadora a su posición más alta para permitir el acceso a las cuchillas.

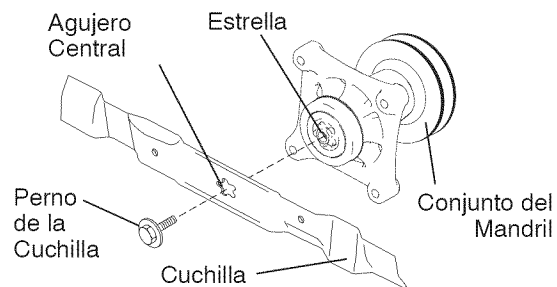
AVISO: Proteja sus manos con guantes y/o envuelva la cuchilla con una tela gruesa.

2. Remueva el perno de la cuchilla dandole vueltas en el sentido inverso al de las agujas del reloj.
3. Instale una hoja que sea nueva o se haya vuelto a afilar, con el lado que tiene "GRASS SIDE" grabado orientado al suelo.

IMPORTANTE: Para asegurar la instalacion apropiada, posicione el agujero central de la cuchilla con la estrella del conjunto del mandril.

4. Instale y apriete el perno de la cuchilla firmemente (Par 45-55 Ft.-Lbs/62-75 Nm).

IMPORTANTE: El perno especial de la cuchilla es termotratado.



BATERÍA

Su tractor cuenta con un sistema de carga de la batería que es suficiente para el uso normal. Sin embargo, si se carga la batería periódicamente, con un cargador de automóviles, se prolongará su duración.

- Mantenga la batería y los terminales limpios.
- Mantenga los pernos de la batería apretados.
- Mantenga los agujeros de ventilación pequeños abiertos.
- Vuelva a cargar de 6-10 amperes por 1 hora.

AVISO: La batería del equipo original de su tractor no necesita servicio. No intente abrir o remover las tapas o cubiertas. No es necesario añadir o verificar el nivel del electrólito.

PARA LIMPIAR LA BATERÍA Y LOS TERMINALES

La corrosión y la mugre de la batería y de los terminales pueden producir "escapes" de potencia en la batería.

1. Remueva la protección de los terminales.
2. Desconecte el cable de la batería NEGRO primero y luego el cable de la batería ROJO y remueva la batería del tractor.
3. Enjuague la batería con agua corriente y séquela.
4. Limpie los terminales y los extremos del cable de la batería con un cepillo de alambre hasta que queden brillantes.
5. Cubra los terminales con grasa o parafina.
6. Reinstale la batería (Vea "Reemplazar la Batería" en la sección de Servicio y ajustes de este manual).

NIVEL DEL FLUIDO DEL TRANSEJE

El transeje ha sido sellado en la fábrica y el mantenimiento del fluido no es necesario para la vida del transeje. En el caso de que el transeje se filtre o necesite servicio, haga el favor de ponerse en contacto con un centro de servicio Sears o con un otro centro de servicio cualificado.

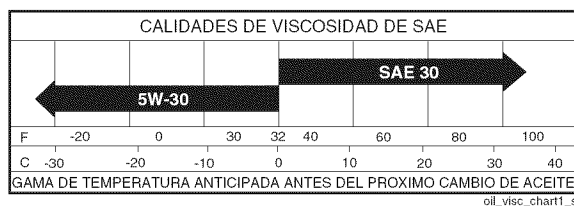
CORREAS V

Revise las correas V para verificar si existe deterioro y desgaste después de 100 horas de operación y cámbielas si es necesario. Las correas no son ajustables. Cambie las correas si empiezan a deslizarse debido al desgaste.

MOTOR

LUBRICACIÓN

Use solamente aceite de detergente de alta calidad clasificado con la clasificación SG-SL de servicio API. Seleccione la calidad de viscosidad del aceite SAE según su temperatura de operación esperada.



AVISO: A pesar de que los aceites de multiviscosidad (5W30, 10W30, etc.) mejoran el arranque en clima frío, estos aceites de multiviscosidad van a aumentar el consumo de aceite cuando se usan en temperaturas sobre 32° F (0° C). Revise el nivel del aceite del motor más a menudo, para evitar un posible daño en el motor, debido a que no tiene suficiente aceite.

Cambie el aceite después de 50 horas de operación o por lo menos una vez al año si el tractor se utiliza menos 50 horas el año.

Revise el nivel del aceite del cárter antes de arrancar el motor y después de cada ocho (8) horas de uso continuado. Apriete la tapa del relleno/varilla indicadora de nivel del aceite en forma segura cada vez que revise el nivel del aceite.

PARA CAMBIAR EL ACEITE DEL MOTOR

Determine la gama de la temperatura esperada antes de cambiar el aceite. Todo el aceite debe cumplir con la clasificación de servicio API SG-SL.

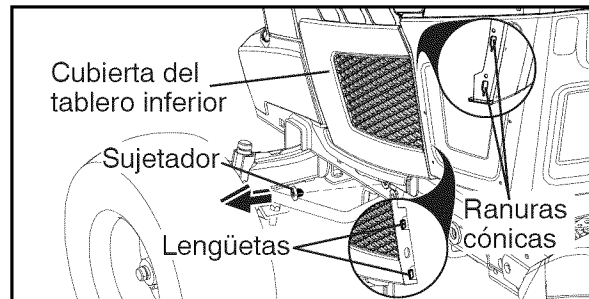
- Asegúrese que el tractor esté en una superficie nivelada.
- El aceite se drenará más fácilmente cuando esté caliente.
- Recoja el aceite en un envase adecuado.

EXTRACCIÓN DE LA CUBIERTA DEL TABLERO INFERIOR

1. Levantar la capota.
2. Retirar el sujetador de la cubierta del tablero inferior.

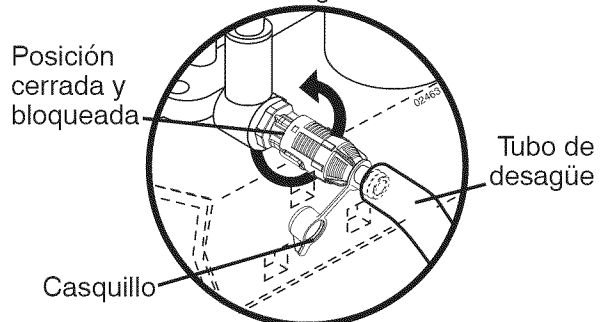
PRECAUCIÓN: Retirar la cubierta del tablero inferior con cuidado para que no se rompan las lengüetas de la cubierta.

3. Deslizar la cubierta del tablero inferior hacia arriba para liberar las lengüetas de la cubierta de las ranuras cónicas del tablero inferior y retirarla.



4. Remueva la tapa/varilla indicadora de nivel para relleno del aceite. Tenga cuidado de no permitir que la mugre entre en el motor cuando cambie el aceite.
5. Quite el casquillo de la guarnición inferior de la válvula de desagüe e instale el tubo de desagüe sobre la guarnición.
6. Abra la válvula de desagüe empujando hacia dentro y dando vuelta a la izquierda.
7. Para abrirse, tire hacia fuera la válvula de desagüe.

Válvula de desagüe del aceite



8. Después de que el aceite haya drenado totalmente, cerrar y bloquee la válvula de desagüe empujando hacia dentro y dando vuelta en sentido de las agujas de un reloj hasta que la clavija está en la posición bloqueada según lo mostrado.

9. Remueva el tubo de desagüe y substituya el casquillo sobre la guarnición inferior de la válvula de desagüe.
10. Vuelva a llenar el motor con aceite a través del tubo de la varilla indicadora de nivel para relleno del aceite. Vacíelo lentamente. No lo llene demasiado. Para la capacidad aproximada vea las "Especificaciones del Producto" sección de este manual.
11. Use un medidor en la tapa/varilla indicadora del nivel para relleno del aceite para revisar el nivel. Mantenga el aceite en la línea de lleno (FULL) en la varilla indicadora de nivel. Apriete la tapa en el tubo en forma segura cuando termine.

FILTRO DE ACEITE DEL MOTOR

Cambie el filtro de aceite del motor cada temporada o vez por medio que cambie el aceite, si el tractor se usa más de 100 horas en un año.

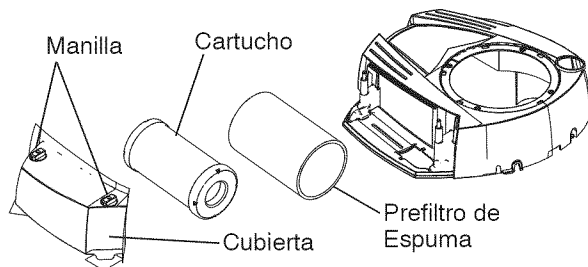
NOTA: Si es necesario, retire las cubiertas de panel inferiores utilizando los pasos de la sección "Extracción de la cubierta del tablero inferior" de este manual.

FILTRO DE AIRE

Su equipo no funcionará correctamente si el filtro de aire está sucio. Cada 25 horas de funcionamiento o en cada temporada, reemplace el pre limpiador; y el cartucho donde viene el papel [service paper cartridge] reemplácelo cada 100 horas de operación o en cada temporada, según el momento en el que primero ello sea necesario. Lo que ocurre con mayor probabilidad es que el limpiador del servicio de aire esté sucio.

NOTA: Si es necesario, retire las cubiertas de panel inferiores utilizando los pasos de la sección "Extracción de la cubierta del tablero inferior izquierdo" de este manual.

1. Quite la cubierta.
2. Con mucho cuidado, quite el cartucho del filtro de aire y el pre limpiador de la base.
3. Limpie la base con mucho cuidado para evitar que caiga ninguna partícula en el carburador.



NOTA: Si el cartucho está muy sucio o dañado, reemplácelo.

4. Coloque firmemente en la base el nuevo pre limpiador y el nuevo cartucho.
5. Cierre la cubierta.

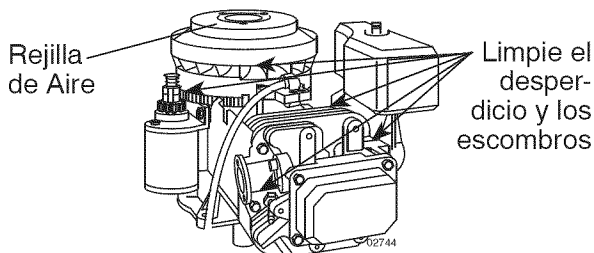
IMPORTANTE: Para limpiar el cartucho no se pueden usar solventes derivados del petróleo, como el keroseno, porque pueden deteriorar el cartucho. No engrase el cartucho; ni use aire a presión para limpiarlo.

LIMPIEZA DE LA REJILLA DE AIRE

La pantalla de aire está sobre el soplador de la toma de aire que se ubica en la parte superior del motor. La pantalla de aire se debe mantener libre de suciedad y paja para evitar que el motor se dañe por sobrecalentamiento. Limpie con un cepillo de alambre o con aire comprimido para retirar la suciedad y las fibras de goma secas difíciles de quitar.

SISTEMA DE ENFRIAMIENTO DE AIRE

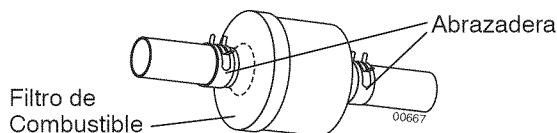
Los escombros pueden atascar el sistema de enfriamiento de aire de motor. Remueva la cubierta del soplador y limpie el área mostrada para evitar el recalentamiento y daños al motor.



FILTRO DE COMBUSTIBLE EN LINEA

El filtro de combustible debe cambiarse una vez cada temporada. Si el filtro de combustible se tapona, obstruyendo el flujo del combustible hacia el carburador, es necesario cambiarlo.

1. Con el motor frío, remueva el filtro y tapone las secciones de la línea de combustible.
2. Ponga el filtro de combustible nuevo en su posición en la línea de combustible con la flecha señalando hacia el carburador.
3. Asegúrese de que no hayan fugas en la línea del combustible y que las grapas estén colocadas en forma adecuada.
4. Inmediatamente limpie toda la gasolina derramada.



SILENCIADOR

Inspeccione y cambie el silenciador corroído y el amortiguador de chispas (si viene equipado) pues pueden crear un peligro de incendio y/o daños.

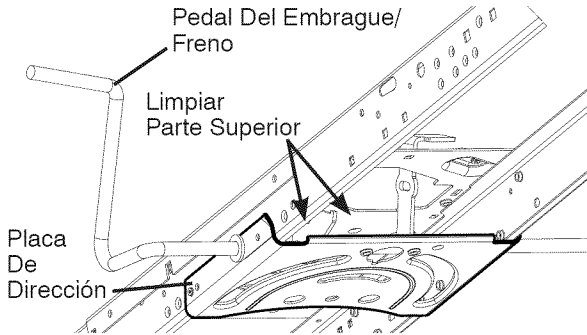
BUJÍA(S)

Cambie las bujías al comienzo de cada temporada de siega o después de cada 100 horas de operación, lo que suceda primero. El tipo de bujía y el ajuste de la abertura aparecen en "ESPECIFICACIONES DEL PRODUCTO" sección de este manual.

LIMPIEZA

- Limpie todo material extraño del motor, la batería, el asiento, el pulido, etc.
- Limpie los desechos de la placa guía. Los desechos pueden limitar el movimiento del eje del pedal del freno/embrague, lo que hará que patine la correa y que se pierda la tracción.

PRECAUCIÓN: Evite todos los puntos de enganche y las piezas móviles.



SISTEMA DE DIRECCIÓN, SALPICADERO, GUARDABARROS Y SEGADORA NO MOSTRADOS

- Mantenga las superficies pulidas y las ruedas sin derrames de gasolina, aceite, etc.
- Proteja las superficies pintadas con cera tipo automotriz.

Excepto por el puerto de lavado (si está incluido), se recomienda no utilizar una manguera de jardín ni el lavado a presión para limpiar la parte externa de su tractor, a menos que el motor y la transmisión estén cubiertos para protegerlos del agua. Si entra agua en el motor o la transmisión se reducirá la vida útil del tractor. Utilice aire comprimido o un soplador de hojas para retirar el césped, las hojas y la basura de la parte externa del tractor y de la cortadora de césped.

PUERTO DE LAVADO DE LA CUBIERTA

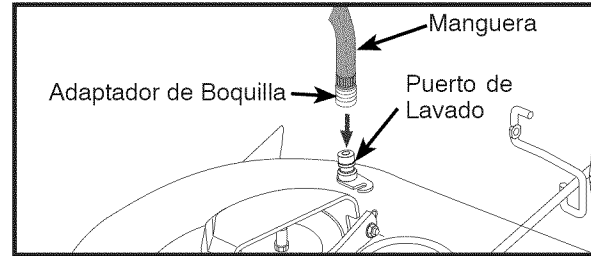
La plataforma del tractor está equipada con un puerto de lavado como parte del sistema de lavado de la plataforma. Se debe utilizar después de cada uso.

1. Lleve el tractor a un lugar horizontal y despejado de su césped, lo bastante cerca de una boca de riego como para que llegue la manguera del jardín.

IMPORTANTE: Asegúrese de que la boca de descarga del tractor está orientada LEJOS de su casa, garaje, coches aparcados, etc. Quite la boca de ensacado o cubierta de mantillo si está acoplada.

2. Mueva el control del embrague del accesorio a la posición "DESENGANCHADO", ponga el freno de estacionamiento y apague el motor.
3. Enrosque el adaptador de la boquilla (empaquetado con el manual del operador del tractor) en el extremo de la manguera del jardín.

4. Eche hacia atrás la abrazadera de cierre del adaptador de la boquilla y empuje éste en el puerto de lavado de la cubierta en el extremo izquierdo de la cubierta de la segadora. Suelte la abrazadera de cierre para fijar el adaptador en la boquilla.



IMPORTANTE: Tire de la manguera para asegurarse de que la conexión está bien fija.

5. Abra la llave del agua.
6. Desde la posición del operador del tractor, vuelva a arrancar el motor y ponga la palanca de aceleración en la posición "Fast" (rápido).

IMPORTANTE: Vuelva a revisar el área para asegurar que está despejada. Asegúrese de que no haya niños en el área mientras limpia la plataforma.

7. Mueva el control del embrague del accesorio a la posición "ENGANCHAR". Manténgase en la posición del operador con la cubierta de corte acoplada hasta que la cubierta esté limpia.
8. Mueva el control del embrague del accesorio a la posición "DESENGANCHADO". Gire la llave de encendido a la posición STOP para apagar el motor del tractor. Cierre la llave del agua.
9. Tire hacia atrás la abrazadera de cierre del adaptador de la boquilla para desconectar el adaptador del puerto de lavado de la cubierta.
10. Lleve el tractor a una zona seca, preferentemente de cemento o pavimentada. Mueva el control del embrague del accesorio a la posición "ENGANCHAR" para quitar el exceso de agua y ayudar a que se seque antes de guardar el tractor.



ADVERTENCIA: Si el accesorio de lavado está roto o no está, Ud. y otras personas estarán expuestos a que la hoja les lance aquellos objetos con los que entre en contacto.

- Sustituya inmediatamente el accesorio de lavado roto o que falta antes de volver a usar la segadora.
- Tape todos los orificios de la segadora con pernos y tuercas de seguridad.

SERVICIO Y AJUSTES

⚠ ADVERTENCIA: PARA EVITAR LESIONES SERIAS, ANTES DE DAR CUALQUIER SERVICIO O DE HACER AJUSTES:

1. Presione el pedal del embrague/freno completamente y aplique el freno de estacionamiento.
2. Ponga la palanca de control de movimiento en la posición de neutro.
3. Ponga el embrague del accesorio en la posición desenganchado (DISENGAGED).
4. Ponga la llave de ignición en la posición de apagado (STOP) y remuévala.
5. Asegúrese que las cuchillas y que todas las partes movibles se hayan detenido completamente.
6. Desconecte el alambre de la bujía y póngalo en donde no pueda entrar en contacto con ésta.

PARA DESMONTAR LA CORTADORA DE CÉSPED

1. Suelte el embrague poniéndolo en la posición "DISENGAGED" ("DESACTIVADO").
2. Baje la palanca elevadora de montaje a la posición de más abajo.
3. Ruede la correa de polea del motor (M).
4. Retire el resorte de sujeción (K), deslice la abrazadera (L) hasta quitarla, y saque a presión la guía de la caja (P) hasta que se salga del soporte.
5. Retire el resorte del cable del embrague (Q) del brazo del engranaje (R).
6. Desconecte la pieza de unión anterior (E) de la cortadora – retire el resorte de contención y la arandela.
7. Por uno de los lados de la cortadora, desconecte el brazo de suspensión de la cortadora (A) del chasis y la pieza de unión posterior (C) de la barra posterior de la cortadora (D) – retire los resortes de contención y las arandelas.

- ⚠ CUIDADO:** Una vez que se desconecten las piezas de unión posteriores, la palanca elevadora funcionará a resorte. Sujete con fuerza la palanca elevadora al cambiarla de posición.
8. Deslice la cortadora por debajo del lado derecho del tractor.

IMPORTANTE: Si se monta un accesorio diferente del cortacésped al tractor, hay que quitar el estribo frontal (E) y los estribos traseros de elevación (C) del tractor y enganchar el resorte de embrague (Q) en la guía del cable en el borde frontal del salpicadero más bajo.

INSTALE LA SEGADORA

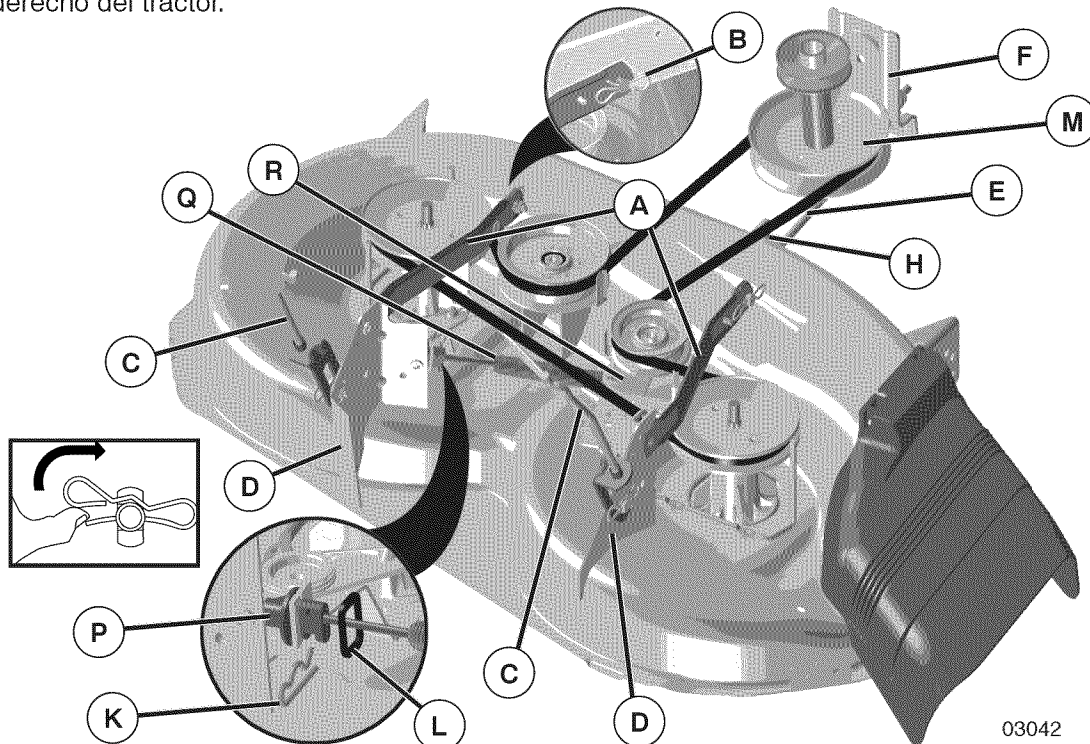
Asegúrese de que el tractor se encuentre en una superficie nivelada, y ponga el freno de mano.

9. Haga descender la palanca elevadora a su posición más baja.

⚠ CUIDADO: LA PALANCA ELEVADORA FUNCIONA A RESORTE. SUJÉTELA CON FUERZA, HÁGALA DESCENDER LENTAMENTE Y TRÁNQUELA EN LA POSICIÓN MÁS BAJA.

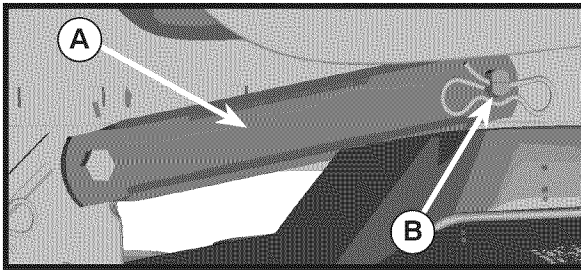
AVISO: Cerciórese de que los brazos de suspensión de los lados de la segadora (A) estén dirigidos hacia adelante antes de deslizarla por debajo del tractor.

2. Deslice la segadora por debajo del tractor hasta que quede bien centrada debajo de éste.
3. FIJE LOS BRAZOS DE SUSPENSIÓN LATERALES DE LA CORTADORA (A) AL CHASIS - Ubique el orificio del brazo encima de la clavija (B) que hay en la parte exterior del chasis del tractor, y fíjelo con una resorte de contención.

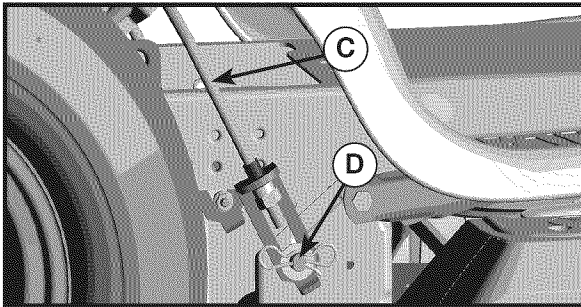


03042

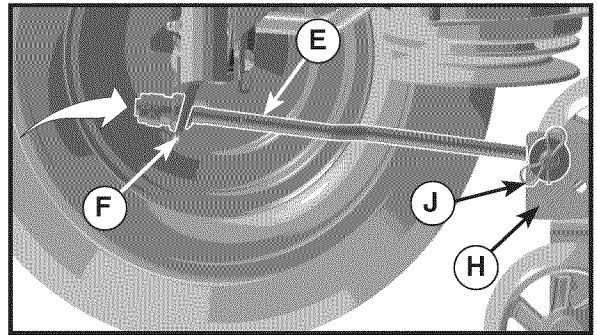
- Realice el mismo procedimiento en el otro lado del tractor.



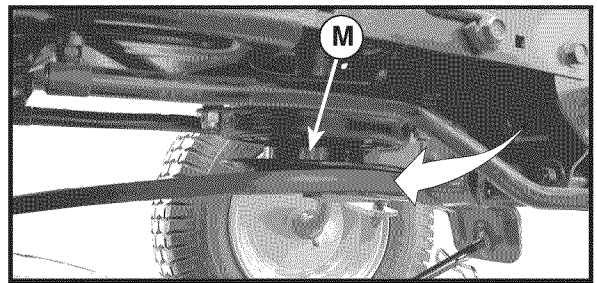
- FIJE LAS PIEZAS DE PROPULSIÓN POSTERIORES (C) – Levante la parte posterior de la cortadora, ubique la ranura de la pieza de unión (D) por encima de la clavija que hay en la barra posterior de la cortadora y fíjela con una arandela y un resorte de contención.
- Realice el mismo procedimiento en el otro lado del tractor.



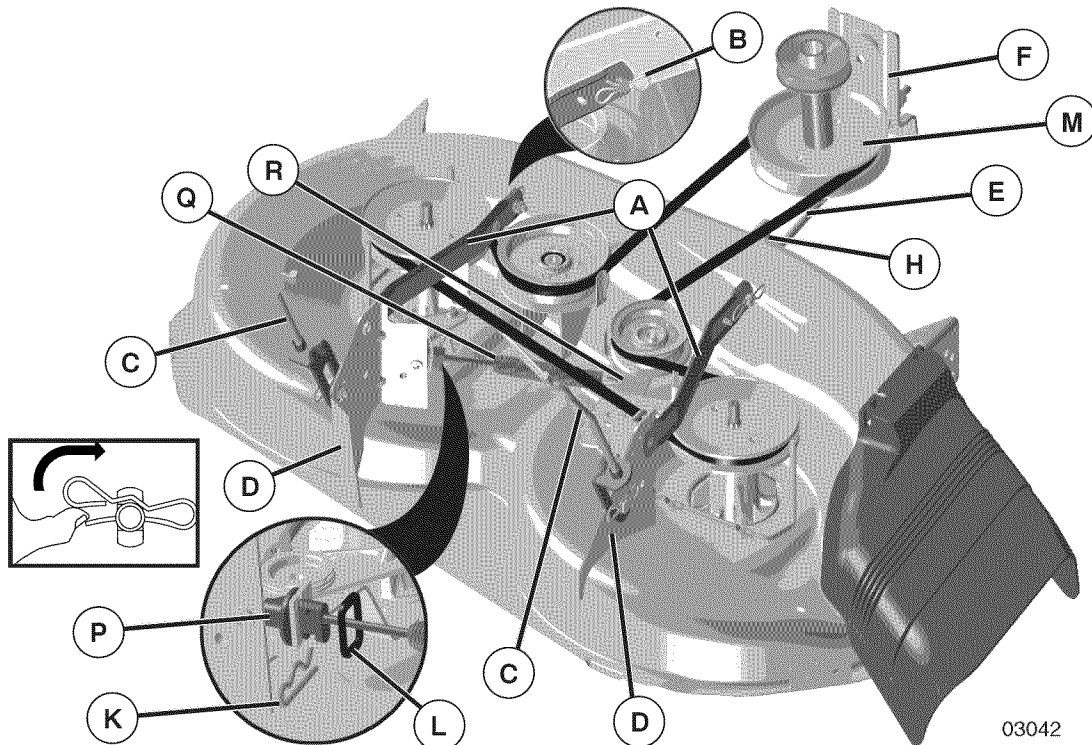
- CONECTE LA CONEXION ANTERIOR (E) - Trabajo del dejó el lado de tractor. Meta el fin de la barra de la asamblea de la conexión por orificio anterior en el tractor soporte anterior de suspensión (F).
- Meta el fin de la conexión (E) en el hoyo en el soporte anterior de orificio y conecte con arandela e Retén del resorte (J).



- Conecte el fin de la primavera de cable de embrague (Q) en el orificio de holgazán (R).
- Retire el resorte de sujeción (K), deslice la abrazadera (L) hasta quitarla, y saque a presión la guía de la caja (P) hasta que se salga del soporte.
- Instale la correa pasándola por encima de la polea del motor (M)



- IMPORTANTE:** VERIFIQUE QUE LA CORREA ENCAJE BIEN EN TODAS LAS RANURAS DE LAS POLEAS DE LA CORTADORA.
- Suba la palanca elevadora a la posición de más arriba.
 - Si es necesario, ajuste las rueditas del calibre antes de poner en funcionamiento la cortadora, como se ilustra en el capítulo de Manejo de este manual.



03042

PARA NIVELAR LA SEGADORA

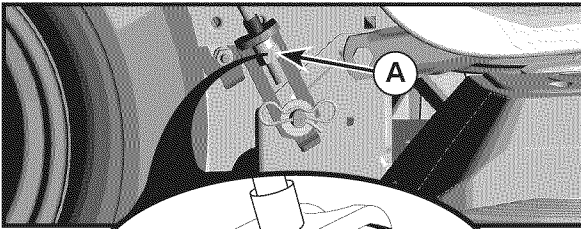
Asegúrese de que los neumáticos estén inflados a la PSI que se indica en estos. Si están demasiado inflados o poco inflados, el césped no le quedará bien cortado, lo cual podrá llevarlo a pensar que la segadora no está bien regulada.

REGULACIÓN VISUAL DE LADO A LADO

1. Si todos los neumáticos están correctamente inflados y el césped parece haber quedado cortado desperejo, determine qué lado de la cortadora está cortando más al ras.

NOTA: Según lo desee, puede subir el lado más bajo o bajar el lado más alto de la segadora.

2. Aborde el lado de la cortadora que quiera regular.
3. Con una llave inglesa de 3/4" o de calibre regulable, haga girar hacia la izquierda la tuerca de ajuste de la pieza de unión (A) para bajar la cortadora, o bien hágala girar hacia la derecha para subirla.



Haga girar la tuerca hacia la derecha para subir la segadora

Haga girar la tuerca hacia la izquierda para bajar la segadora

NOTA: Cada vuelta completa de la tuerca de ajuste hará variar la altura de la cortadora aproximadamente 4,7 mm (3/16 pulgadas).

4. Pruebe la regulación realizada cortando césped que aún no haya cortado y observando cómo queda. Vuelva a ajustar, en caso necesario, hasta obtener resultados satisfactorios.

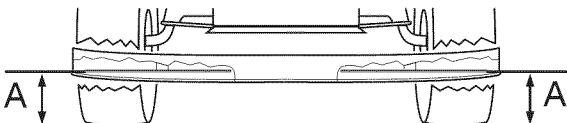
REGULACIÓN DE LA PRECISIÓN DE LADO A LADO

1. Con todos los neumáticos correctamente inflados, estacione el tractor a nivel del suelo o en la entrada a la casa.

⚠ CUIDADO: Las cuchillas son afiladas. Protégase las manos con guantes o envuelva las cuchillas con tela gruesa, o bien haga ambas cosas.

2. Suba la segadora a la posición más alta.
3. A ambos lados de la cortadora, ubique la cuchilla hacia un lado y mida la distancia (A) que hay entre el borde inferior de la cuchilla y el suelo. Dicha distancia debe ser la misma a ambos lados.

4. En caso que sea necesario realizar un ajuste, lea de las instrucciones de Regulación visual que aparecen más arriba.



5. Vuelva a verificar las medidas y ajuste nuevamente, en caso necesario, hasta que ambos lados queden iguales.

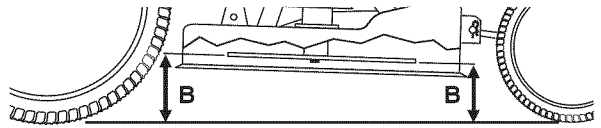
AJUSTE DE DELANTE A ATRÁS

IMPORTANTE: El piso debe quedar bien nivelado de lado a lado.

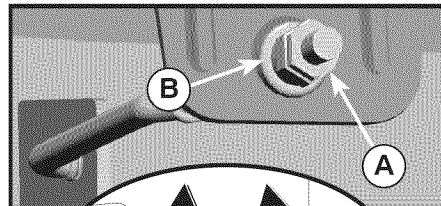
Para que el césped le quede perfectamente cortado, las cuchillas de la cortadora deben ajustarse de tal manera que la punta anterior quede 3,1 a 12,7 mm (1/8 a 1/2 pulgadas) más abajo que la punta posterior cuando la cortadora se encuentre en su posición más alta.

⚠ CUIDADO: Las cuchillas son afiladas. Protégase las manos con guantes o envuelva las cuchillas con tela gruesa, o bien haga ambas cosas.

- Suba la segadora a la posición más alta.
- Ubique cualquiera de las hojas de la cuchilla de tal manera que la punta quede apuntando directamente hacia adelante. Mida la distancia "B" que hay entre la punta anterior y el suelo y entre la punta posterior y el suelo.



- Si la punta anterior de la hoja de la cuchilla no está 3,1 a 12,7 mm (1/8 a 1/2 pulgadas) más abajo que la punta posterior, diríjase a la parte de adelante del tractor.
- Con una llave inglesa de 11/16" o de calibre regulable, afloje la tuerca A, dándole varias vueltas para despejar la tuerca de ajuste B.
- Con una llave inglesa de 3/4", o de calibre regulable, gire la tuerca de ajuste de eslabón frontal "B" hacia la derecha (↻) (apriete) para elevar, o hacia la izquierda (↺) (afloje) para bajar el frente de la cortadora de césped.



Ajuste la tuerca de regulación de altura "B" para levantar la segadora

Afloje la tuerca de regulación de altura "B" para bajar la segadora

Afloje la tuerca "A" primero

NOTA: Cada vuelta completa de la tuerca de ajuste hará variar la altura de la cortadora (3,1 mm (1/8 pulgadas)).

- Vuelva a verificar las medidas y ajuste nuevamente, en caso necesario, hasta que la punta anterior de la hoja de la cuchilla quede 3,1 a 12,7 mm (1/8 a 1/2 pulgadas) más abajo que la punta posterior.
- Mantenga en la posición la tuerca de ajuste por medio de una llave inglesa, y apriete bien la tuerca contra dicha tuerca de ajuste.

PARA CAMBIAR LA CORREA DE IMPULSIÓN DE LA CUCHILLA SEGADORA

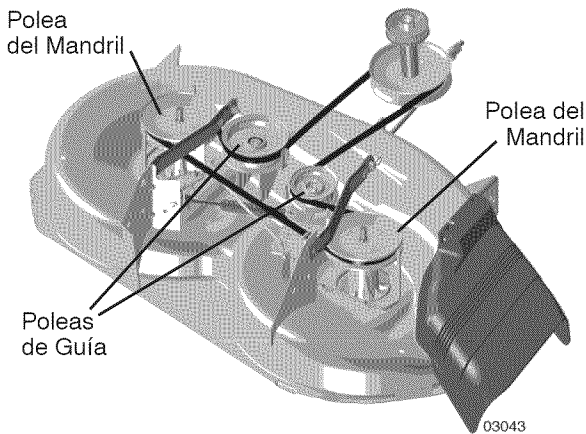
La correa de impulsión de la cuchilla segadora se puede cambiar sin herramientas. Estacione el tractor en una superficie nivelada. Enganche el freno de estacionamiento.

REMOCIÓN DE LA CORREA –

1. Remueva la segadora del tractor (Vea “PARA REMOVER LA SEGADORA” de esta sección de este manual).
2. Haga salir la correa de las poleas del mandril y de las poleas de guía.
3. Tire la correa alejándola de la segadora.

INSTALACIÓN DE LA CORREA

1. Haga rodar la correa alrededor de ambas poleas del mandril y de las poleas-guías.
2. Asegúrese las correas estén en todas las ranuras de las poleas y al interior todas las guías de la correa.
3. Instale la segadora (véa “PARA INSTALAR LA SEGADORA” en esta sección de este manual).



VERIFIQUE EL FRENO

Si el tractor exige más 1,5 m (cinco (5) pies) para pararse a una velocidad más alta en el cambio más alto en una superficie nivelada de hormigón seco o pavimentada, entonces se debe controlar y ajustar el freno.

CONTROL DEL FRENO

1. Aparcar el tractor en una superficie nivelada de hormigón seco o pavimentada, presionar el pedal del freno hasta el fondo y accionar el freno de estacionamiento.
2. Desembragar la transmisión colocando el mando de la rueda libre en la posición “transmisión desembragada”. Tirar el mando de la rueda libre fuera y dentro la ranura y soltar así se coloca en la posición desembragada.

Las ruedas traseras tiene que bloquearse y patinar cuando se intenta empujar hacia adelante el tractor manualmente. Sustituir las zapatas del freno o contactar otro centro de servicio cualificado.

PARA REEMPLAZAR LA CORREA DE TRANSMISIÓN

Estacione el tractor en una superficie nivelada. Ponga el freno de mano. Si necesita asistencia, del lado de abajo del apoyapiés hay una guía práctica para el montaje de la correa.

DESMONTAJE DE LA CORREA

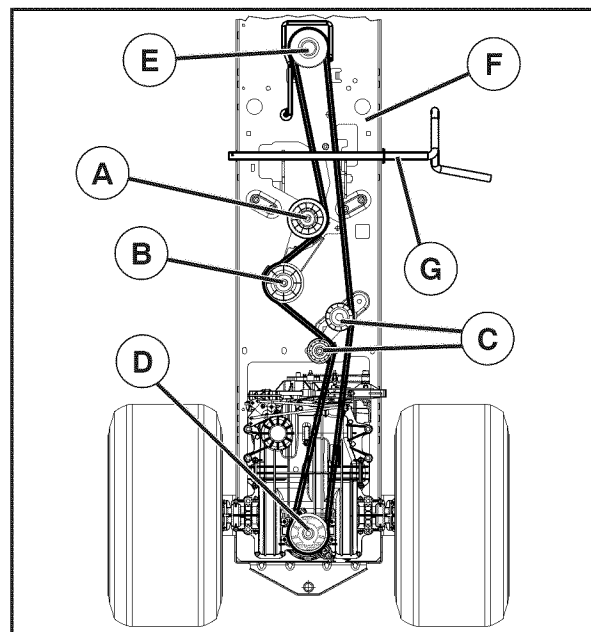
1. Desmonte la cortadora (Ver “PARA DESMONTAR LA CORTADORA” en este capítulo del manual).

NOTA: Observe toda la correa de transmisión y la posición de todas las guías y guardacorreas.

2. Retire la correa del piñón estacionario (A) y del piñón de embrague (B).
3. Retire la correa del piñón central (C).
4. Jale el cable de la correa hacia la parte de atrás del tractor. Con mucho cuidado, retire la correa de la polea de entrada de la transmisión, moviéndola hacia arriba y pasándola por encima de las paletas del ventilador (D).
5. Retire la correa de la polea del motor moviéndola hacia abajo (E).
6. Deslice la correa hacia la parte de atrás del tractor, retírela de la placa de dirección (F) y quítela del tractor.

MONTAJE DE LA CORREA

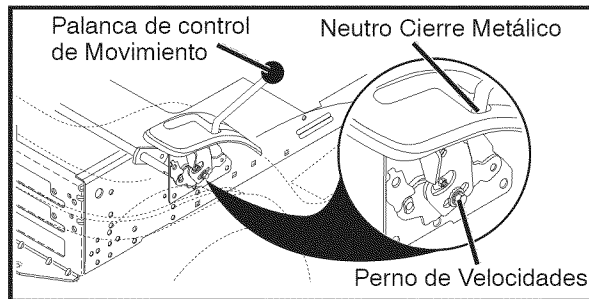
1. Instale la correa nueva de la parte de atrás a la parte de adelante del tractor, pasándola por encima de la placa de dirección (F) y del vástago del pedal del embrague / freno (G).
2. Jale la correa hacia la parte de adelante del tractor y páselo por sobre la polea del motor (E).
3. Jale la correa hacia la parte de atrás del tractor. Con mucho cuidado, mueva la correa hacia abajo y pásela alrededor del ventilador de transmisión y por encima de la polea de entrada (D). Cerciórese de que la correa esté calzada dentro del guardacorrea.
4. Coloque la correa sobre el piñón central (C).
5. Pase la correa a través del piñón estacionario (A) y del piñón del embrague (B).
6. Asegúrese de que la correa calce en todas las ranuras de las poleas y dentro de todas las guías y guardacorreas..
7. Instale la SEGADORA (Ver “PARA MONTAR LA SEGADORA” en este capítulo del manual).



REGULACIÓN DE LA PALANCA DE CONTROL DEL MOVIMIENTO NEUTRO DEL CAMBIO MECÁNICO

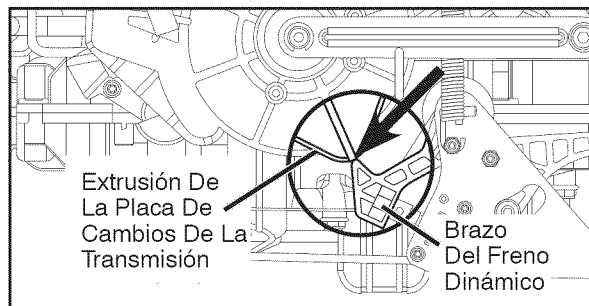
La palanca de control del movimiento del cambio mecánico ya viene predefinida por la Casa constructora y por lo tanto no requiere ulteriores regulaciones.

1. Accione la palanca de control de la rueda libre. (Ver "PARA TRANSPORTAR" en la Sección "Operación" de este manual.)
2. Mueva la palanca de control de movimiento hasta que la unidad ruede libremente.
3. Manteniendo la palanca en la posición arriba indicada, aflojar el perno de regulación.
4. Mover la palanca de control del movimiento en posición neutro (cierre metálico).
5. Enroscar bien el perno de regulación.



AVISO: Desplazar el plano de trabajo de la segadora hasta la posición más baja para aumentar el juego al fin de acceder al perno de regulación. Una vez realizado el ajuste anterior, si el tractor no alcanza la velocidad de avance o retroceso completa en el lugar más alejado para avance y retroceso de la palanca de control de movimiento, siga estos pasos.

1. Bajar la palanca elevadora hasta su posición más baja.
2. Mueva la placa de cambios en la parte delantera de la transmisión para que la línea central del área que sobresale esté alineada con el brazo del freno dinámico.
3. Manteniendo la palanca en la posición arriba indicada, aflojar el perno de regulación.
4. Mover la palanca de control del movimiento en posición neutro (cierre metálico).
5. Enroscar bien el perno de regulación.



PARA REMOVER LAS RUEDAS

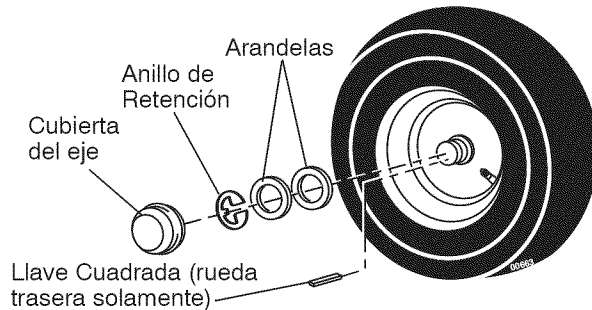
1. Bloquee el eje en forma segura.
2. Remueva la cubierta del eje, el anillo de retención y las arandelas para permitir la remoción de las ruedas (la rueda trasera contiene una llave cuadrada - no la pierda).

3. Repare la llanta y vuélvala a montar.

AVISO: En las ruedas traseras solamente: alinee las ranuras en el cubo de la rueda trasera en el eje. Inserte la llave cuadrada.

4. Vuelva a colocar las arandelas e inserte el anillo de retención en forma segura en la ranura del eje.
5. Vuelva a colocar la cubierta del eje.

AVISO: Para arreglar las llantas perforadas y pera prevenir que tenga llantas pinchadas a causa de pequeñas fugas, comprar de su comerciante Sears y utilizar el sello para llantas. El sello previene que las llantas se sequen y también la corrosión.



IMPRESIÓN / INCLINACIÓN DE LAS RUEDAS DELANTERAS

La impresión e inclinación de las ruedas delanteras de su nuevo tractor vienen así de fábrica y son normales. La impresión y la inclinación de las ruedas delanteras no son regulables. En caso que se produzca algún daño que afecte la impresión o la inclinación de las ruedas delanteras tal como vinieron de fábrica, póngase en contacto con un centro de servicios Sears u otro centro de servicios autorizado.

PARA HACER ARRANCAR EL MOTOR CON UNA BATERÍA BAJA

ADVERTENCIA: Las baterías de ácido-plomo generan gases explosivos. Mantenga las chispas, las llamas y los materiales para fumar alejados de las baterías. Siempre use una protección para los ojos alrededor de las baterías. Si su batería está demasiado baja como para hacer arrancar el motor tiene que volverse a cargar. (Vea "Batería" en la sección de Mantenimiento de este manual).

Si se usan "cables de empalme" para un arranque de emergencia, siga este procedimiento:

IMPORTANTE: Su tractor esta equipado con un sistema de 12 volts. El otro vehículo también tiene que tener un sistema de 12 volts. No use la batería de su tractor para hacer arrancar a otros vehículos.

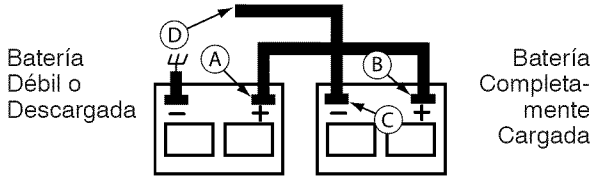
PARA ADJUNTAR LOS CABLES DE EMPALME

1. Conecte cada extremo del cable ROJO con el terminal (A-B) POSITIVO (+) de cada batería, preocupándose de no hacer cortocircuito en el chasis.
2. Conecte un extremo del cable NEGRO con el terminal (C) NEGATIVO (-) de una batería completamente cargada.

3. Conecte el otro extremo del cable (D) NEGRO con un buena CONEXIÓN A TIERRA DEL CHASIS, alejado del estanque de combustible y de la batería.

PARA REMOVER LOS CABLES, INVIERTA EL ORDEN

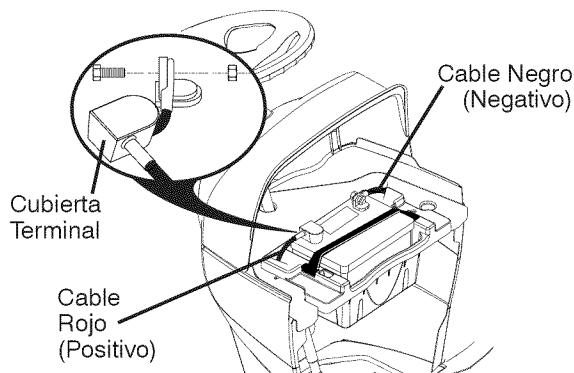
1. El cable NEGRO primero del chasis y luego de la batería completamente cargada.
2. El cable ROJO al último de ambas baterías.



REEMPLAZAR LA BATERIA

⚠️ ADVERTENCIA: No haga cortocircuito con los terminales de la batería al permitir que una llave de tuerca o cualquier otro objeto entre en contacto con ambos terminales a la misma vez. Antes de instalar la batería remueva las pulseras de metal, los relojes de pulsera de metal, los anillos, etc. El terminal positivo tiene que conectarse primero para evitar las chispas debido a la conexión a tierra por accidente.

1. Levantamos la capota a la posición levantada.
2. Remueve la protección de los terminales.
3. Desconecte el cable de la batería NEGRO primero y luego el cable de la batería ROJO y remueva la batería del tractor.
4. Instale la nueva batería con los términos en misma posición como la batería vieja.
5. Reemplazamos cubierta terminal.
6. Primero, conecte el cable de la batería ROJO con el terminal positivo (+) con el perno hexagonal y la tuerca según se muestra. Apriételes en forma segura.
7. Conecte el cable de conexión a tierra NEGRO al terminal negativo (-) con el perno hexagonal y la tuerca que queden. Apriételes en forma segura.
8. Cerramos la capota.



PARA CAMBIAR LA BOMBILLA DE LA LUZ DELANTERA

1. Levante el capota.
2. Tire el sujetador de la bombilla fuera del agujero en la parte trasera del enrejado.

3. Cambie la bombilla en el sujetador y empuje el sujetador de la bombilla, en forma segura, hacia atrás en el agujero en la parte trasera del enrejado.
4. Cierre el capota.

ENTRECIERRE Y RELÉS

El alambrado suelto o dañado puede producir el mal funcionamiento de su tractor, o que deje de funcionar, o le impida el arrancar.

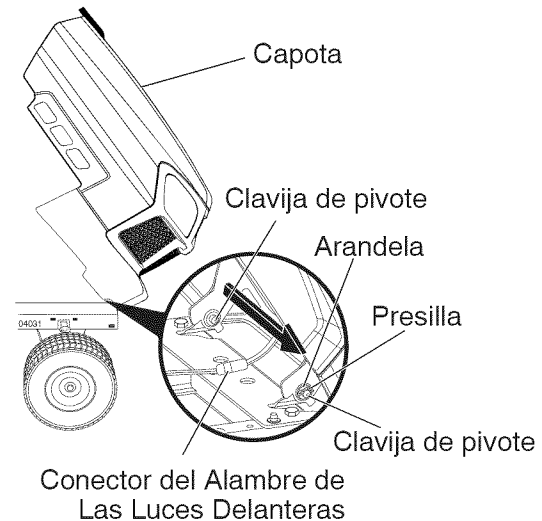
- Revise el alambrado.

PARA CAMBIAR EL FUSIBLE

Cámbielo por un fusible tipo enchufable de 30 amps, tipo automotriz. El sujetador del fusible está ubicado detrás del tablero.

PARA REMOVER EL CONJUNTO DEL CAPOTA Y DEL ENREJADO

1. Levante el Capota.
2. Desabroche el conector del alambre de las luces delanteras.
3. Retire la presilla y arandela del pasador pivote del lado derecho.
4. Sitúese frente al tractor. Tome la capota por los lados y deslícela hacia la izquierda, para retirarla de los tornillos de apoyo, y elévela para extraerla del tractor.
5. Al volver a colocar la capota, enchufe otra vez el conector del cable del faro y reinstale la arandela y la presilla en pasador pivote de apoyo derecho.



MOTOR

PARA AJUSTAR EL CABLE DE CONTROL DE LA ACELERACIÓN

El control de la aceleración ha sido preajustado en la fábrica y no debería necesitar ajustes. Revise los ajustes que se describen a continuación, antes de soltar el cable. Si el ajuste es necesario, vea de manual de motor.

PARA AJUSTAR EL CONTROL DE ESTRANGULACIÓN

El control de la estrangulación ha sido preajustado en la fábrica y no debería necesitar ajustes.

ALMACENAMIENTO

Inmediatamente prepare su tractor para el almacenamiento al final de la temporada o si el tractor no se va a usar por 30 días o más.

⚠️ ADVERTENCIA: Nunca almacene el tractor con gasolina en el estanque dentro de un edificio en donde los gases pueden alcanzar una llama expuesta o una chispa. Permita que el motor se enfríe antes de almacenarlo en cualquier recinto privado.

TRACTOR

Remueva la segadora del tractor para el almacenamiento por el invierno. Cuando la segadora se va a almacenar por cierto período de tiempo, límpiela cuidadosamente, quite toda la mugre, la grasa, las hojas, etc. Guárdela en una área limpia y seca.

1. Limpie todo el tractor (vea "LIMPIEZA" en la sección de Mantenimiento en este manual).
2. Inspeccione y cambie las correas, si es necesario (vea las instrucciones para el cambio de las correas en la sección de Servicio y Ajustes de este manual).
3. Lubríquelo, según se muestra en la sección de Mantenimiento de este manual.
4. Asegúrese que todas las tuercas, los pernos y los tornillos estén sujetos en forma segura. Inspeccione las partes móviles para verificar si hay daño, rotura o desgaste. Cámbielas si es necesario.
5. Retoque todas superficies pintadas oxidadas o picadas; aplique lija antes de pintar.

BATERÍA

- Cargue la batería completamente antes de guardarla.
- Después de cierto período de tiempo en almacenamiento, la batería puede necesitar volver a cargarse.
- Para ayudar a evitar la corrosión y las fugas de potencia durante largos períodos de almacenamiento, se deben desconectar los cables de la batería y se debe limpiar cuidadosamente (vea "PARA LIMPIAR LA BATERÍA Y LOS TERMINALES" en la sección de Mantenimiento de este manual).
- Después de limpiarla, deje los cables desconectados y póngalos en donde no puedan entrar en contacto con los terminales de la batería.
- Si se remueve la batería del tractor para el almacenamiento, no la guarde directamente sobre concreto o sobre superficies húmedas.
- Si la unidad está equipada con indicador de batería/conector de carga, se puede adquirir una unidad de carga opcional y conectarse a la unidad para cargar la batería durante un almacenamiento prolongado. Inspeccione y limpie las terminales de la batería conforme sea necesario antes de almacenarse durante un tiempo prolongado con el cargador conectado.

MOTOR

SISTEMA DE COMBUSTIBLE

IMPORTANTE: Es importante evitar que se formen depósitos de goma en partes fundamentales del sistema de combustible tales como el carburador, el filtro del combustible, la manguera del combustible mezclados con alcohol (conocido como gasohol o que tienen etanol o metanol) pueden atraer humedad, lo que conduce a la separación y a la formación de acúdos durante el almacenamiento. La gasolina ácida puede dañar el sistema de combustible de un motor durante el período de almacenamiento.

- Vaciar el depósito del carburante poniendo en marcha el motor y dejándolo funcionar hasta que el carburante termine el carburador esté vacío.
- Nunca use los productos para limpieza del carburador o del motor en el estanque de combustible pues se pueden producir daños permanentes.
- Use combustible nuevo la próxima temporada.

AVISO: El estabilizador de combustible es una alternativa aceptable para reducir a un mínimo la formación de depósitos de goma en el combustible durante el período de almacenamiento. Agregue estabilizador a la gasolina en el estanque de combustible o en el envase para el almacenamiento. Siempre siga la proporción de mezcla que se encuentra en el envase del estabilizador. Haga funcionar el motor por lo menos 10 minutos después de agregar el estabilizador, para permitir que éste llegue al carburador. No vaciar la gasolina del estanque de gasolina y el carburador si se está usando estabilizador de combustible.

ACEITE DEL MOTOR

Drene el aceite (con el motor caliente) y cámbielo con aceite de motor limpio. (Vea "MOTOR" en la sección de Mantenimiento" de este manual.)

CILINDRO(S)

1. Remueva la(s) bujía(s).
2. Vacíe 29.5 mL (1 Oz.) de aceite a través del agujero(s) de la bujía en el cilindro(s).
3. Gire la llave de ignición a la posición de "ARRANQUE" (START), por unos cuantos segundos para distribuir el aceite.
4. Cambie por bujía(s) nueva(s).

OTROS

- No guarde la gasolina de una temporada a la otra.
- Cambie el envase de la gasolina si se empieza a oxidar. La oxidación y/o la mugre en su gasolina producirán problemas.
- Si es posible, guarde su unidad en un recinto cerrado y cúbrala para protegerla contra el polvo y la mugre.
- Cubra su unidad con un forro protector adecuado que no retenga la humedad. No use plástico. El plástico no puede respirar, lo que permite la formación de condensación, lo que producirá la oxidación de su unidad.

IMPORTANTE: Nunca cubra el tractor mientras el motor y las áreas de escape todavía están calientes.


IDENTIFICACIÓN DE PROBLEMAS:

Vea la sección apropiada en el manual a menos que esté dirigido a un centro de servicio Sears.

PROBLEMA	CAUSA	CORRECCIÓN
No arranca	<ol style="list-style-type: none"> Sin combustible. Motor sin la "ESTRANGULACIÓN" (CHOKE) adecuada. Motor ahogado. Bujía mala. Filtro de aire sucio. Filtro de combustible sucio. Agua en el combustible. Alambrado suelto o dañado. Válvulas del motor desajustadas. 	<ol style="list-style-type: none"> Llene el estanque de combustible. Vea "PARA HACER ARRANCAR EL MOTOR" en la sección de operación. Espere varios minutos antes de tratar de arrancar. Cambie la bujía. Limpie/cambie el filtro de aire. Cambie el filtro de combustible. Vaciar el estanque de combustible y el carburador, vuelva a llenar el estanque con gasolina nueva cambie el filtro de combustible. Revise todo el alambrado. Pongase en contacto con un centro de servicio cualificado "SEARS".
Difícil de arrancar	<ol style="list-style-type: none"> Filtro de aire sucio. Bujía mala. Batería baja o descargada. Filtro de combustible sucio. Combustible rancio o sucio. Alambrado suelto o dañado. Válvulas del motor desajustadas. 	<ol style="list-style-type: none"> Limpie/cambie el filtro de aire. Cambie la bujía. Vuelva a cargar o cambie la batería. Cambie el filtro de combustible. Vaciar el estanque de combustible y vuelva a llenarlo con gasolina nueva. Revise todo el alambrado. Pongase en contacto con un centro de servicio cualificado "SEARS".
El motor no la vuelta	<ol style="list-style-type: none"> Pedal del freno no presionado. Embrague del accesorio está enganchado. Batería baja o descargada. Fusible quemado. Terminales de la batería corroídos. Alambrado suelto o dañado. Interruptor de la ignición fallado. Solenoide o arrancador fallados. Interruptor(es) que exige(n) la presencia del operador fallado. 	<ol style="list-style-type: none"> Presione el pedal del freno. Desenganche el embrague del accesorio. Vuelva a cargar o cambie la batería. Cambie el fusible. Limpie los terminales de la batería. Revise todo el alambrado. Revise/cambie el interruptor de la ignición. Revise/cambie el solenoide o arrancador. Pongase en contacto con un centro de servicio cualificado "SEARS".
El motor suena pero no arranca	<ol style="list-style-type: none"> Batería baja o descargada Terminales de la batería corroídos. Alambrado suelto o dañado. Solenoide o arrancador fallados. 	<ol style="list-style-type: none"> Vuelva a cargar o cambie la batería. Limpie los terminales de la batería. Revise todo el alambrado. Revise/cambie el solenoide o arrancador.
Pérdida de fuerza	<ol style="list-style-type: none"> Corta mucho césped, muy rápido. Aceleración en la posición de "ESTRANGULACIÓN" (CHOKE). Acumulación de césped, hojas y basura debajo de la segadora. Filtro de aire sucio. Nivel de aceite bajo/aceite sucio. Bujía fallada. Filtro de combustible sucio. Combustible rancio o sucio. 	<ol style="list-style-type: none"> Eleve la altura de corte/reduzca la velocidad Ajuste el control de la aceleración. Limpie la parte inferior de la caja de la segadora. Limpie/cambie el filtro de aire. Revise el nivel de aceite/cambie el aceite. Limpie y vuelva a ajustar la abertura o cambie la bujía. Cambie el filtro de combustible. Vaciar el estanque de combustible y vuelva a llenarlo con gasolina nueva.

IDENTIFICACIÓN DE PROBLEMAS:

Vea la sección apropiada en el manual a menos que esté dirigido a un centro de servicio Sears.

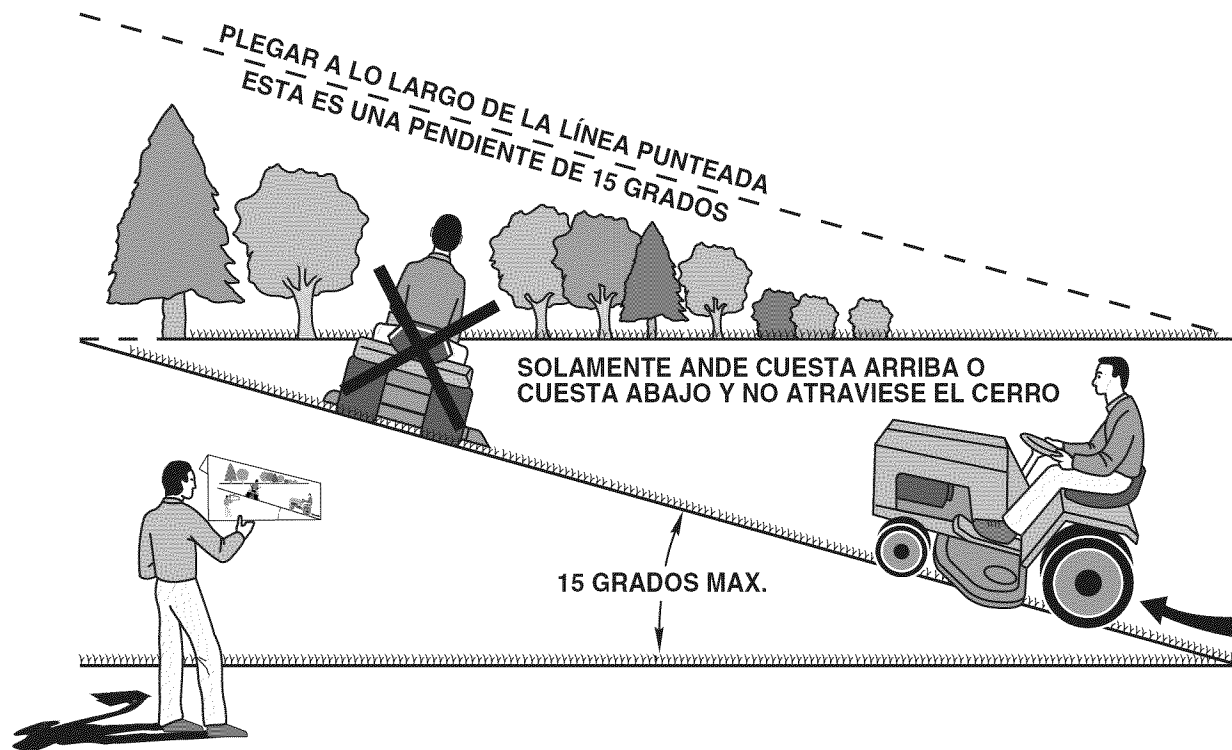
PROBLEMA	CAUSA	CORRECCIÓN
Pérdida de fuerza (sigue)	<ol style="list-style-type: none"> 9. Agua en el combustible. 10. Alambrado de la bujía suelto. 11. Rejilla/aletas de aire del motor sucias. 12. Silenciador sucio/taponado. 13. Alambrado suelto o dañado. 14. Válvulas del motor desajustadas. 	<ol style="list-style-type: none"> 9. Vacíe el estanque de combustible y el carburador, vuelva a llenar el estanque con gasolina nueva y cambie el filtro de combustible. 10. Conecte y apriete el alambre de la bujía. 11. Limpie las rejilla/aletas de aire del motor. 12. Limpie/cambie el silenciador. 13. Revise todo el alambrado. 14. Pongase en contacto con un centro de servicio cualificado "SEARS".
Vibración excesiva	<ol style="list-style-type: none"> 1. Cuchilla desgastada, doblada o suelta. 2. Mandril de la cuchilla doblado. 3. Parte(s) suelta(s)/dañada(s). 	<ol style="list-style-type: none"> 1. Cambie la cuchilla. Apriete el perno de la cuchilla. 2. Cambie la mandril de la cuchilla. 3. Apriete la(s) parte(s). Cambie las partes dañadas.
El motor continúa funcionando cuando el operador se baja del asiento con el embrague del accesorio enganchado	<ol style="list-style-type: none"> 1. Sistema de control que exige la presencia del operador –seguridad fallado. 	<ol style="list-style-type: none"> 1. Revise el alambrado, los interruptores y la conexiones. Si no están correctas, Pongase en contacto con un centro de servicio cualificado "SEARS". <p style="text-align: center;">  PRECAUCIÓN: NO opere la máquina sino hasta haber corregido el problema. </p>
El corte disperejo	<ol style="list-style-type: none"> 1. Cuchilla desgastada, doblada o suelta. 2. El conjunto segador no está nivelado. 3. Acumulación de césped, hojas y basura debajo de la segadora. 4. Mandril de la cuchilla doblado. 5. Los agujeros de ventilación del conjunto segador taponados debido a la acumulación de césped, hojas y basura alrededor de los mandriles. 	<ol style="list-style-type: none"> 1. Cambie la cuchilla. Apriete el perno de la cuchilla. 2. Nivele el conjunto segador. 3. Limpie la parte inferior de la cajade la segadora. 4. Cambie la mandril de la cuchilla. 5. Limpie alrededor de los mandriles para abrir los de ventilación.
Las cuchillas segadoras no rotan	<ol style="list-style-type: none"> 1. Obstrucción en el mecanismo del embrague. 2. La correa de impulsión de la segadora está desgastada/dañada. 3. Polea de guía atascada. 4. Mandril de la cuchilla atascado. 	<ol style="list-style-type: none"> 1. Remueva la obstrucción. 2. Cambie la correa de impulsión de la segadora. 3. Cambie la polea de guía. 4. Cambie la mandril de la cuchilla.
Mala descarga del césped	<ol style="list-style-type: none"> 1. Velocidad del motor muy lenta. 2. Velocidad de recorrido demasiado rápida. 3. Césped mojado. 4. El conjunto segador no está nivelado. 5. Presión de aire de las llantas baja o dispereja. 6. Cuchilla desgastada, doblada o suelta. 7. Acumulación de césped, hojas y basura debajo de la segadora. 8. La correa de impulsión de la segadora está desgastada o desajustada. 9. Las cuchillas están mal con instaladas. 10. Cuchillas inadecuadas en uso. 11. Los agujeros de ventilación del conjunto segador taponados debido a la acumulación de césped, hojas y basura alrededor de los mandriles. 	<ol style="list-style-type: none"> 1. Ponga el control de la aceleración en la posición de "RÁPIDO" (fast). 2. Cambie a una velocidad más lenta. 3. Permita que se seque el césped antes de segar. 4. Nivele el conjunto segador. 5. Revise las llantas para verificar que tienen la presión de aire. 6. Cambie/afile la cuchilla. Apriete el perno de la cuchilla. 7. Limpie la parte inferior de la cajade la segadora. 8. Cambie/ajuste la correa de impulsión de la segadora. 9. Vuelva a instalar las cuchillas el borde afilado hacia abajo. 10. Cambie por las cuchillas enumeradas en este manual. 11. Limpie alrededor de los mandriles para abrir los de ventilación.

IDENTIFICACIÓN DE PROBLEMAS:

Vea la sección apropiada en el manual a menos que esté dirigido a un centro de servicio Sears.

PROBLEMA	CAUSA	CORRECCIÓN
Las luz (ces) de lantera(s) no funcionando	<ol style="list-style-type: none"> 1. El interruptor está "APAGADO"(OFF). 2. Bombilla(s) o lámpara(s) quemada(s). 3. Interruptor de la luz fallado. 4. Alambrado suelto o dañado. 5. Fusible quemado. 	<ol style="list-style-type: none"> 1. "ENCIENDA" (ON) el interruptor. 2. Cambie la bombilla(s) o lámpara(s). 3. Revise/cambie el interruptor de la luz. 4. Revise el alambrado y las conexiones. 5. Cambie el fusible.
La batería no carga	<ol style="list-style-type: none"> 1. Elemento(s) de la batería malo(s). 2. Malas conexiones de cables. 3. Regulador fallado (si equipado). 4. Alternador fallado. 	<ol style="list-style-type: none"> 1. Cambie la batería. 2. Revise/limpie todas las cables. 3. Cambie el regulador. 4. Cambie el alternador.
Pérdida de impulsión	<ol style="list-style-type: none"> 1. El control de rueda libre está en la posición "DESENGANCHADO" (disengaged). 2. Residuos es en de la placa de dirección (Si los tiene). 3. La correa de impulsión de impulsión de movimiento. 4. Llave cuadrada de eje es ausente. 	<ol style="list-style-type: none"> 1. Ponga el control de rueda libre en la posición "ENGANCHADO"(disengaged). 2. Vea "LIMPIEZA" en la sección de Mantenimiento de este manual. 3. Reemplace la correa de movimiento esta gastada, dañada o rota. 4. Vea "PARA REMOVER LAS RUEDAS" en la sección de Servicio y Ajustes de este manual.
El motor tiene "contraexplosiones" cuando se "APAGA"	<ol style="list-style-type: none"> 1. El control de la aceleración del motor no fue ajustado en la posición de velocidad media y máxima (rápida) antes de para el motor. 	<ol style="list-style-type: none"> 1. Mueva el control de la aceleración a la posición de velocidad media y máxima (rápida) antes de para el motor.
El tractor se ponen marcha atrás	<ol style="list-style-type: none"> 1. El sistema de funcionamiento atrás (ROS) no está "ON", cuando enganche la segadora o otro accesorio. 	<ol style="list-style-type: none"> 1. Girar el ROS en la posición "ON".Vea la sección de operación.

GUÍA SUGERIDA PARA MEDIR LAS PENDIENTES CON LA VISTA PARA UNA OPERACIÓN SEGURA



ADVERTENCIA: Para evitar daños graves, haga funcionar su tractor arriba y abajo de las pendientes, nunca transversalmente con respecto a las pendientes. No cortar pendientes mayores de 15 grados. Haga los virajes gradualmente para evitar volcarse o la pérdida de control. Tenga mucho cuidado cuando cambie de dirección en las pendientes.

1. Plegar esta página a lo largo de la línea punteada arriba indicada.
2. Tener la página ante de si mismos de modo que su borde izquierdo sea vertical paralelo al tronco del árbol u otra estructura vertical.
3. Mirar a través del pliegue en dirección de la pendiente que se quiere medir.
4. Comparar el ángulo del pliegue con la pendiente del terreno.



Product questions or problems?

1-888-331-4569

Customer Care Hot Line

**Get answers to questions, troubleshoot problems,
order parts, or schedule repair service.**

Para respuestas a preguntas o problemas, y ordenar
piezas o pedir servicio para la reparación de su equipo.

To help us help you, register your product at www.craftsman.com/registration

Para poderte ayudar mejor, registra tu producto en www.craftsman.com/registration

Join the Craftsman Club today!



www.craftsman.com/signup

**Receive exclusive member benefits including special pricing and offers,
project sharing, expert advice, and SHOP YOUR WAY REWARDS!**

Como miembro exclusivo, recibe diversos beneficios como ofertas, precios especiales, proyectos nuevos, consejos de expertos y nuestro programa de puntos SHOP YOUR WAY REWARDS!

© Registered Trademark / TM Trademark of KCD IP, LLC in the United States, or Sears Brands, LLC in other countries
© Marca Registrada / TM Marca de Fábrica de KCD IP, LLC en Estados Unidos, o Sears Brands, LLC in otros países