

Use & Care Guide
Manual de Uso y Cuidado
English / Español

Kenmore Elite[®]

Liquid Propane Gas Grill

Parrilla a gas de propano liquido

Models/Modelos: 146. 33585410- Champagne/champán
146. 33586410- Espresso/Espresso
146. 33587410- Stainless Steel/Acero inoxidable
146. 33588410- Carbon Grey Metallic/Carbono gris metálico
146. 33589410- Vermillion Red/Rojo Bermellón
146. 30207510- Green/Verde
146. 30208510- Blue Metallic/Azul metálico

Items / Artículos: 640-06320832-6- Champagne/champán
640-06320833-4- Espresso/Espresso
640-06320834-2- Stainless Steel/Acero inoxidable
640-06320838-3- Carbon Grey Metallic/Carbono gris metálico
640-06320839-1- Vermillion Red/Rojo Bermellón
640-03165402-3- Green/Verde
640-03165403-1- Blue Metallic/Azul metálico

P/N 30800367A
Sears Brands Management Corporation
Hoffman Estates, IL 60179 U.S.A.
www.kenmore.com
www.sears.com
www.kmart.com



Dear New Kenmore Owner,

Congratulations on the purchase your new Kenmore Elite 550 Series Gas Grill! Kenmore Elite Series Grills have been designed and engineered from the bottom up, with focus on even the smallest detail. This grill has been designed to provide you with even cooking results, fast performance, and precise control so you have complete confidence every time you grill.

The Kenmore brand has over a 100-year history of providing innovative solutions that enable our members and customers to get more out of their lives. During this time, the Kenmore brand has evolved through technology, style and the specific needs of every generation. Yet, one constant remains – all Kenmore products offer keys to more living such as greater convenience, better performance and time saved. Your new Kenmore Elite gas grill is another example of this great Kenmore legacy.

Of course, if you should have any issues with your new grill, please contact us at 1-800-4-MY-HOME, or through Sears.com. We also hope you will share your grill recipes and stories with us and others. You can do this by visiting the Kenmore cookmore.com or grillingishappiness.com websites.

Thank you for allowing us to make this amazing product a part of your life. We hope you enjoy many great meals with your family and friends creating many happy memories.



Kenmore • tested for living™

	DANGER	
If you smell gas:		
<ol style="list-style-type: none">1. Shut off gas to the appliance.2. Extinguish any open flame.3. Open lid.4. If odor continues, keep away from the appliance and immediately call your gas supplier or your fire department.		

	WARNING	
<ol style="list-style-type: none">1. Do not store or use gasoline or other flammable liquids or vapors in the vicinity of this or any other appliance.2. An LP cylinder not connected for use shall not be stored in the vicinity of this or any other appliance.		

Call Grill Service Center For Help And Parts

If you have questions or need assistance during assembly, please call 1-888-287-0735. You will be speaking to a representative of the grill manufacturer and not a Sears employee. To order new parts call Sears at 1-800-4-MY-HOME®

Product Record

IMPORTANT: Fill out the product record information below.

Model Number _____
Serial Number _____ See rating label on grill for serial number.
Date Purchased _____



Installation Safety Precautions

- Please read this User's Manual in its entirety before using the grill.
- Failure to follow the provided instruction can result in seriously bodily injury and/or property damage.
- Some parts of this grill may have sharp edges. Please wear suitable protective gloves.
- Use grill, as purchased, only with LP (propane) gas and the regulator/valve assembly supplied.
- Grill installation must conform with local codes, or in their absence of local codes, with either the National Fuel Gas Code, ANSI Z223.1/ NFPA 54, Natural Gas and Propane Installation Code, CSA B149.1, or Propane Storage and Handling Code, B149.2, or the Standard for Recreational Vehicles, ANSI A 119.2/NFPA 1192, and CSA Z240 RV Series, Recreational Vehicle Code, as applicable.
- All electrical accessories (such as rotisserie) must be electrically grounded in accordance with local codes, or National Electrical Code, ANSI / NFPA 70 or Canadian Electrical Code, CSA C22.1. Keep any electrical cords and/or fuel supply hoses away from any hot surfaces.
- This grill is safety certified for use in the United States and/or Canada only. Do not modify for use in any other location. Modification will result in a safety hazard.

IMPORTANT: This grill is intended for outdoor use only and is not intended to be installed in or on recreational vehicles or boats.

NOTE TO INSTALLER: Leave this User's Manual with the customer after delivery and/or installation.

NOTE TO CONSUMER: Leave this User's Manual in a convenient place for future reference.

Safety Symbols

The symbols and boxes shown below explain what each heading means. Read and follow all of the messages found throughout the manual.

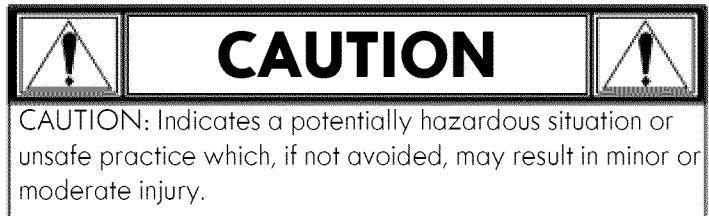
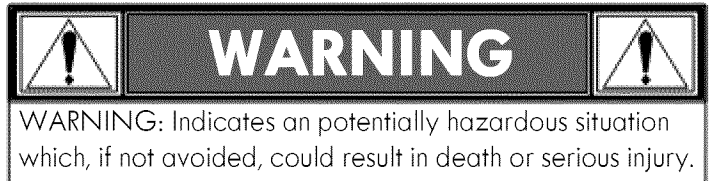
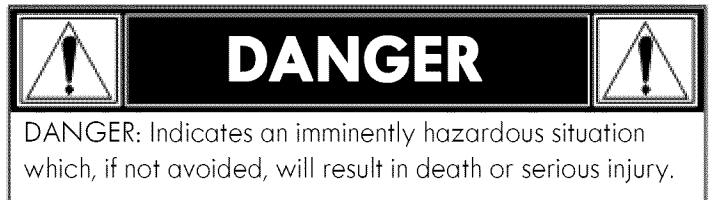


TABLE OF CONTENTS

For Your Safety 3
Grill Service Center 3
Product Record Information 3
Installation Safety Precautions 3
Safety Symbols 3
Kenmore Grill Warranty 5
Use and Care 6-14
Parts List 15-16
Parts Diagram 17
Before Assembly 18-21
Assembly 22-30
Troubleshooting 31-33

Repair Protection Agreements

Congratulations on making a smart purchase. Your new Kenmore® product is designed and manufactured for years of dependable operation. But like all products, it may require repair from time to time. That's when having a Repair Protection Agreement can save you money and aggravation.

Purchase a Repair Protection Agreement now and protect yourself from unexpected hassle and expense.

Here's what the Repair Protection Agreement* includes:

- ✔ **Expert service** by our 10,000 professional repair specialists
- ✔ **Unlimited service and no charge** for parts and labor on all covered repairs
- ✔ **Product replacement up to \$1500** if your covered product can't be fixed
- ✔ **Discount of 25%** from regular price of service and related installed parts not covered by the agreement; also, 25% off regular price of preventive maintenance check
- ✔ **Fast help by phone** - we call it Rapid Resolution - phone support from a Sears representative. Think of us as a "talking owner's manual."


Once you purchase the Repair Protection Agreement, a simple phone call is all that it takes for you to schedule service. You can call anytime day or night, or schedule a service appointment online.

The Repair Protection Agreement is a risk-free purchase. If you cancel for any reason during the product warranty period, we will provide a full refund. Or, a prorated refund anytime after the product warranty period expires. Purchase your Repair Protection Agreement today!


Some limitations and exclusions apply. For prices and additional information in the U.S.A. call 1-800-827-6655.

Sears Installation Service

For Sears professional installation of home appliances, garage door openers, water heaters, and other major home items, in the U.S.A. call 1-800-4-MY-HOME®



WARNING



CALIFORNIA PROPOSITION 65

1. Combustion by-products produced when using this product contain chemicals known to the State of California to cause cancer, birth defects, and other reproductive harm.
2. This Product contains chemicals, including lead and lead compounds, known to the State of California to cause cancer, birth defects or other reproductive harm.

Wash your hands after using this product.

KENMORE ELITE LIMITED WARRANTY

WITH PROOF OF SALE, the following warranty coverage applies when this appliance is correctly installed, operated and maintained according to all supplied instructions. To arrange for in-home warranty service, call 1-800-4-MY-HOME® (1-800-469-4663)

FOR TWO YEARS from the date of sale this appliance is warranted against defects in material or workmanship. A defective appliance will receive free repair or replacement at option of seller.

For the time periods from the sale date listed below, the named part will be replaced free of charge if it rusts through or burns through. After the second year from the sale date you are responsible for the labor cost of part installation.

TWO YEARS – Heat Diffusers THREE YEARS – Cooking Grates FIFTEEN YEARS – Burners

TWENTY-FIVE YEARS – Firebox Cast Aluminum Sidewalls or Lid Porcelain Coated Shroud

All warranty coverage excludes ignitor batteries and grill part paint loss, discoloration or surface rusting, which are either expendable parts that can wear out from normal use within the warranty period, or are conditions that can be the result of normal use, accident or improper maintenance.

All warranty coverage applies is void if this appliance is ever used for other than private household purposes.

This warranty covers ONLY defects in material and workmanship, and will NOT pay for:

1. Expendable items that can wear out from normal use within the warranty period, including but not limited to batteries, screw-in base light bulbs and surface coatings or finishes.
2. A service technician to clean or maintain this appliance, or to instruct the user in correct appliance installation, operation and maintenance.
3. Service calls to correct appliance installation not performed by Sears authorized service agents, or to repair problems with house fuses, circuit breakers, house wiring, and plumbing or gas supply systems resulting from such installation.
4. Damage to or failure of this appliance resulting from installation not performed by Sears authorized service agents, including installation that was not in accord with electrical, gas or plumbing codes.
5. Damage to or failure of this appliance, including discoloration or surface rust, if it is not correctly operated and maintained according to all supplied instructions.
6. Damage to or failure of this appliance, including discoloration or surface rust, resulting from accident, alteration, abuse, misuse or use for other than its intended purpose.
7. Damage to or failure of this appliance, including discoloration or surface rust, caused by the use of detergents, cleaners, chemicals or utensils other than those recommended in all instructions supplied with the product.
8. Damage to or failure of this appliance resulting from natural or other catastrophe, such as flood, fire or storm.
9. Damage to or failure of parts or systems resulting from unauthorized modifications made to this appliance.
10. Service to an appliance if the model and serial plate is missing, altered, or cannot easily be determined to have the appropriate certification logo.

Disclaimer of implied warranties; limitation of remedies

Customer's sole and exclusive remedy under this limited warranty shall be product repair or replacement as provided herein. Implied warranties, including warranties of merchantability or fitness for a particular purpose, are limited to two years on the appliance, five years on heat diffusers, fifteen years on burners, and twenty-five years on sidewalls, lid shroud and grates, or the shortest period allowed by law. Seller shall not be liable for incidental or consequential damages. Some states and provinces do not allow the exclusion or limitation of incidental or consequential damages, or limitation on the duration of implied warranties of merchantability or fitness, so these exclusions or limitations may not apply to you.

This warranty applies only while this appliance is used in the United States.

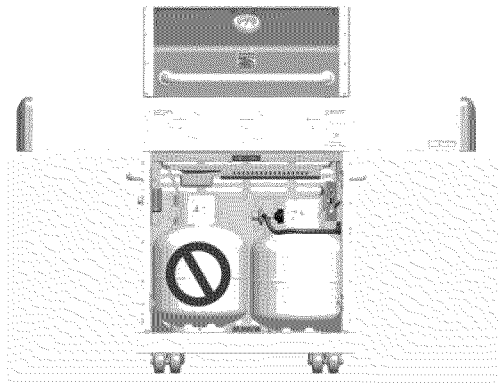
This warranty gives you specific legal rights, and you may also have other rights which vary from state to state.

Sears Brands Management Corporation, Hoffman Estates, IL 60179

USE AND CARE



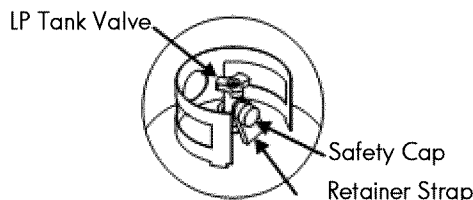
- **NEVER** store a spare LP cylinder under or near the appliance or in an enclosed area.



- **Never fill a cylinder beyond 80% full.**
- **If the information in the two points above is not followed exactly, a fire causing death or serious injury may occur.**
- **An overfilled or improperly stored cylinder is a hazard due to possible gas release from the safety relief valve. This could cause an intense fire with risk of property damage, serious injury or death.**
- **If you see, smell or hear gas escaping, immediately get away from the LP cylinder and appliance and call your fire department.**

LP Tank Removal, Transport And Storage

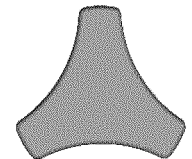
- Turn OFF all control knobs and LP tank valve. Turn coupling nut counterclockwise by hand only - do not use tools to disconnect. Lift LP tank wire upward off of LP tank collar, then lift LP tank up and off of support bracket. Install safety cap onto LP tank valve. Always use cap and strap supplied with valve. Failure to use safety cap as directed may result in serious personal injury and/or property damage.



- A disconnected LP tank in storage or being transported must have a safety cap installed (as shown). Do not store an LP tank in enclosed spaces such as a carport, garage, porch, covered patio or other building. Never leave an LP tank inside a vehicle which may become overheated by the sun.
- Do not store an LP tank in an area where children play.

LP Cylinder

- The LP cylinder used with your grill must meet the following requirements:
- Use LP cylinders only with these required measurements: 12" (30.5cm) (diameter) x 18" (45.7 cm) (tall) with 20 lb. (9 kg.) Capacity maximum.
- LP cylinders must be constructed and marked in accordance with specifications for LP cylinders of the U.S. Department of Transportation (DOT) or for Canada, CAN/CSA-B339, cylinders, spheres and tubes for transportation of dangerous goods. Transport Canada (TC). See LP cylinder collar for marking.
- LP cylinder valve must have:
 - Type 1 outlet compatible with regulator or grill.
 - Safety relief valve.
 - UL listed Overfill Protection Device (OPD). This OPD safety feature is identified by a unique triangular hand wheel. Use only LP cylinders equipped with this type of valve.
- LP cylinder must be arranged for vapor withdrawal and include collar to protect LP cylinder valve. Always keep LP cylinders in upright position during use, transit or storage.



OPD Hand Wheel



LP cylinder in upright position for vapor withdrawal

LP (Liquefied Petroleum Gas)

- LP gas is nontoxic, odorless and colorless when produced. For **Your Safety**, LP gas has been given an odor (similar to rotten cabbage) so that it can be smelled.
- LP gas is highly flammable and may ignite unexpectedly when mixed with air.

LP Cylinder Filling

- Use only licensed and experienced dealers.
- LP dealer **must purge new cylinder** before filling.
- Dealer should **NEVER** fill LP cylinder more than 80% of LP cylinder volume. Volume of propane in cylinder will vary by temperature.
- A frosty regulator indicates gas overfill. Immediately close LP cylinder valve and call local LP gas dealer for assistance.
- Do not release liquid propane (LP) gas into the atmosphere. This is a hazardous practice.
- To remove gas from LP cylinder, contact an LP dealer or call a local fire department for assistance. Check the telephone directory under "Gas Companies" for nearest certified LP dealers.

LP Tank Exchange

- Many retailers that sell grills offer you the option of replacing your empty LP tank through an exchange service. Use only those reputable exchange companies that inspect, precision fill, test and certify their cylinders. **Exchange your tank only for an OPD safety feature-equipped tank as described in the "LP Tank" section of this manual.**
- Always keep new and exchanged LP tanks in upright position during use, transit or storage.
- **Leak test new and exchanged LP tanks BEFORE connecting to grill.**

LP Tank Leak Test

For your safety

- Leak test must be repeated each time LP tank is exchanged or refilled.
- Do not smoke during leak test.
- Do not use an open flame to check for gas leaks.
- Grill must be leak tested outdoors in a well-ventilated area, away from ignition sources such as gas fired or electrical appliances. During leak test, keep grill away from open flames or sparks.
- Use a clean paintbrush and a 50/50 mild soap and water solution. Brush soapy solution onto areas indicated by arrows in figure below. Leaks are indicated by growing bubbles.

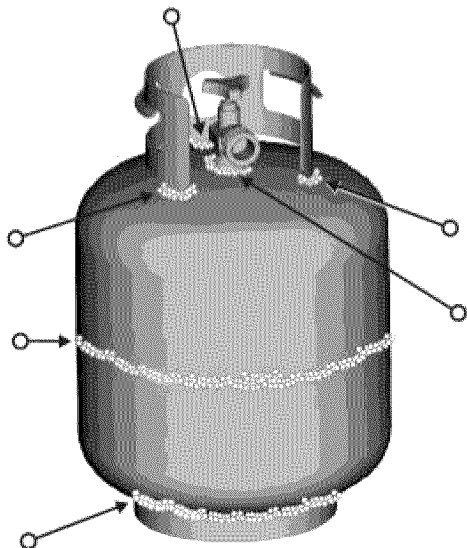


WARNING



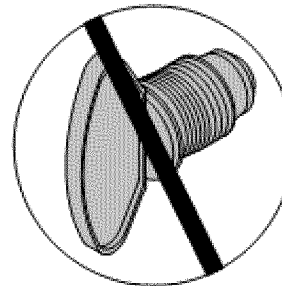
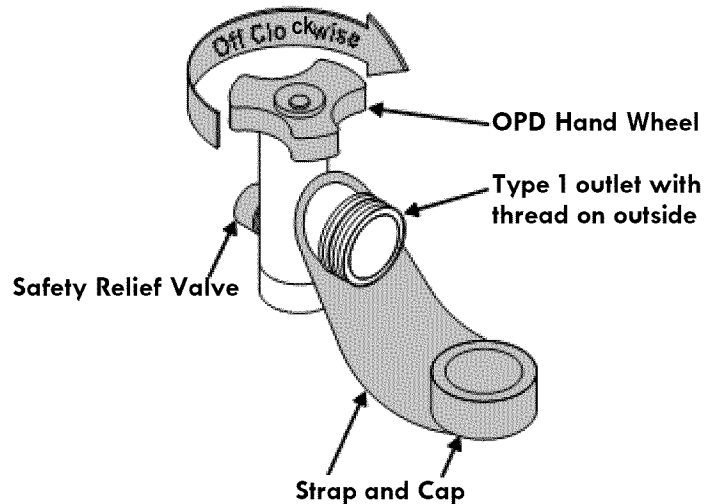
If "growing" bubbles appear do not use or move the LP tank. Contact an LP gas supplier or your fire department!

- ▲ Do not use household cleaning agents. Damage to the gas train components (valve/hose/regulator) can result.



Connecting Regulator To The LP Tank

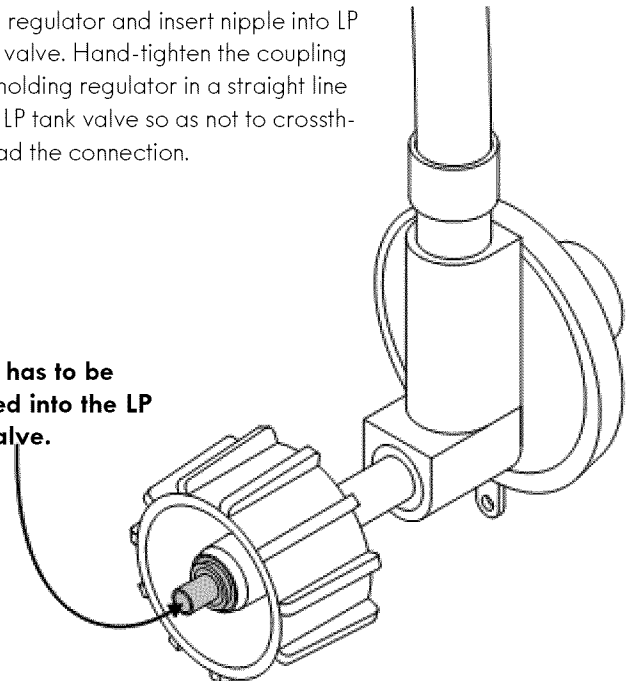
1. LP tank must be properly secured onto grill. (Refer to assembly section.)
2. Turn all control knobs to the OFF position.
3. Turn LP tank OFF by turning OPD hand wheel clockwise to a full stop.
4. Remove the protective cap from LP tank valve. Always use cap and strap supplied with valve.

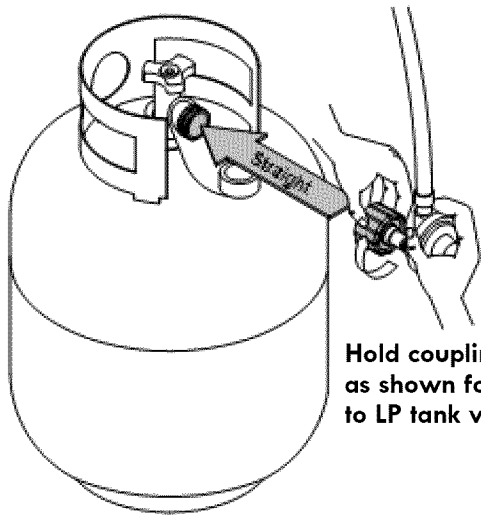


Do not insert a POL transport plug (plastic part with external threads) into the type 1 valve outlet. It will defeat the Safety Relief Valve feature.

5. Hold regulator and insert nipple into LP tank valve. Hand-tighten the coupling nut, holding regulator in a straight line with LP tank valve so as not to crossthread the connection.

Nipple has to be centered into the LP tank valve.





Hold coupling nut and regulator as shown for proper connection to LP tank valve.

6. Turn the coupling nut clockwise and tighten to a full stop. The regulator will seal on the back-check feature in the LP tank valve, resulting in some resistance. **An additional one-half to three-quarters turn is required to complete the connection. Tighten by hand only - do not use tools.**

NOTE:

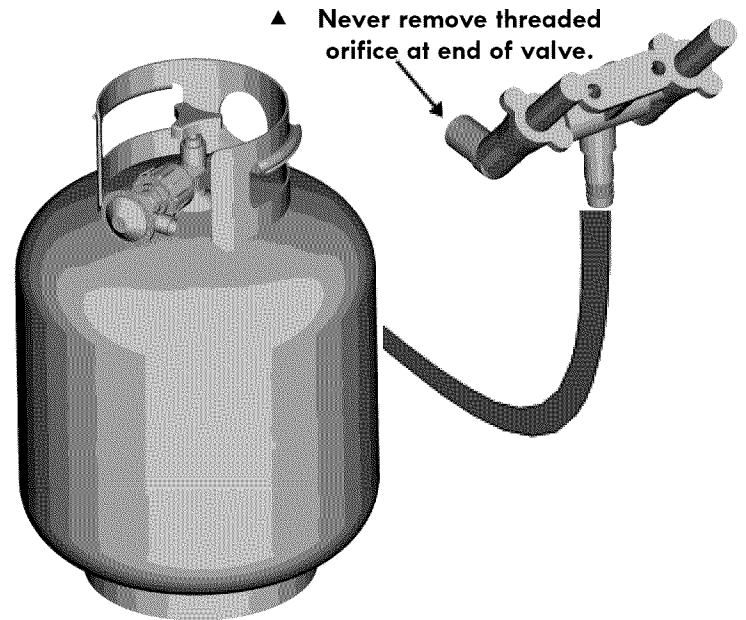
If you cannot complete the connection, disconnect regulator and repeat steps 5 and 6. If you are still unable to complete the connection, do not use this regulator! Call 1-800-4-MY-HOME® for an identical replacement part.

	DANGER	
<ul style="list-style-type: none"> Do not insert any tool or foreign object into the valve outlet or safety relief valve. You may damage the valve and cause a leak. Leaking propane may result in explosion, fire, severe personal injury, or death. 		

	WARNING	
<ul style="list-style-type: none"> Outdoor gas appliance is not intended to be installed in or on a boat. Outdoor gas appliance is not intended to be installed in or on an RV. Never attempt to attach this grill to the self-contained LP gas system of a camper trailer or motor home. Do not use grill until leak-tested. If a leak is detected at any time, STOP and call the fire department. If you cannot stop a gas leak, immediately close LP cylinder valve and call LP gas supplier or your fire department ! 		

Leak Testing Valves, Hose and Regulator

1. Turn all grill control knobs to OFF.
2. Be sure regulator is tightly connected to LP tank.
3. Completely open LP tank valve by turning OPD hand wheel counterclockwise. If you hear a rushing sound, turn gas off immediately. There is a major leak at the connection. **Correct before proceeding** by calling Sears for replacement parts at 1-800-4-MY-HOME®.
4. Brush soapy solution onto areas where bubbles are shown in picture below:



5. If "growing" bubbles appear, there is a leak. Close LP tank valve immediately and retighten connections. If leaks cannot be stopped do not try to repair. Call for replacement parts at 1-800-4-MY-HOME®.
6. Always close LP tank valve after performing leak test by turning hand wheel clockwise.

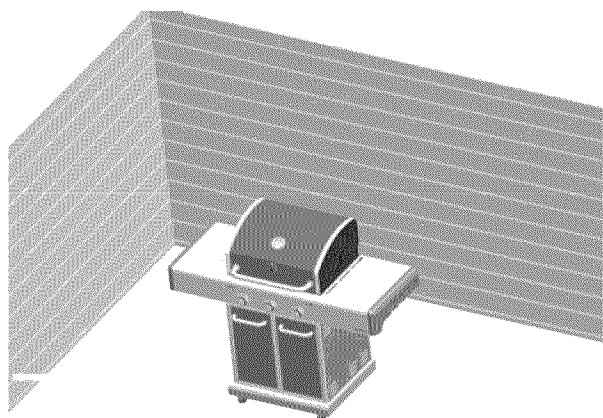


WARNING



For Safe Use of Your Grill and to Avoid Serious Injury:

- Do not let children operate or play near grill.
- Keep grill area clear and free from materials that burn.
- Do not block holes in sides or back of grill.
- Use grill only in well-ventilated space. NEVER use in enclosed space such as carport, garage, porch, covered patio, or under an overhead structure of any kind.
- Do not use charcoal or ceramic briquets in a gas grill.
- Use grill at least 3 ft. from any wall or surface. Maintain 10 ft. clearance to objects that can catch fire, or to sources of ignition such as pilot lights on water heaters, live electrical appliances, etc.



• Apartment Dwellers:

Check with management to learn the requirements and fire codes for using an LP gas grill in your apartment complex. If allowed, use outside on the ground floor with a three (3) foot clearance from walls or rails. Do not use on or under balconies.

- NEVER attempt to light burner with lid closed. A buildup of non-ignited gas inside a closed grill is hazardous.
- Never operate grill with LP cylinder out of correct position specified in assembly instructions.
- Always close LP cylinder valve and remove coupling nut before moving LP cylinder from specified operation position.

Safety Tips

- ▲ Before opening LP cylinder valve, check the coupling nut for tightness.
- ▲ When grill is not in use, turn off all control knobs and LP cylinder valve.
- ▲ Never move grill while in operation or still hot.
- ▲ Use long-handled barbecue utensils and oven mitts to avoid burns and splatters.
- ▲ Maximum load for sideburner and side shelf is 10 lbs.
- ▲ The grease tray must be inserted into grill and emptied after each use. Do not remove grease tray until grill has completely cooled.
- ▲ Clean grill often, preferably after each cookout. If a bristle brush is used to clean any of the grill cooking surfaces, ensure no loose bristles remain on cooking surfaces prior to grilling. It is not recommended to clean cooking surfaces while grill is hot.
- ▲ If you notice grease or other hot material dripping from grill, determine the cause, correct it, then clean and inspect valve. Keep ventilation openings in cylinder enclosure (grill cart) free and clear of debris.
- ▲ Do not store objects or materials inside the grill cart enclosure that would block the flow of combustion air to the underside of either the control panel or the firebox bowl.
- ▲ The regulator may make a humming or whistling noise during operation. This will not affect safety or use of grill.
- ▲ If you have a grill problem see the "Troubleshooting Section".
- ▲ If the regulator frosts, turn off grill and LP cylinder valve immediately. This indicates a problem with the cylinder and it should not be used on any product. Return to supplier!




CAUTION




- Putting out grease fires by closing the lid is not possible. Grills are well ventilated for safety reasons.
- Do not use water on a grease fire. Personal injury may result. If a grease fire develops, turn knobs and LP cylinder off.
- Do not leave grill unattended while preheating or burning off food residue on HI. If grill has not been regularly cleaned, a grease fire can occur that may damage the product.



Main Burner Igniter Lighting

- ▲ Do not lean over grill while lighting.
 1. Open lid during lighting.
 2. Turn on valve from source or tank.
 3. Push and turn any Main Burner control knob to  Hi and hold in. You will hear a clicking sound from the electrodes of all burners.
 4. If ignition does not occur in 5 seconds, turn the burner controls OFF, wait 5 minutes, and repeat the lighting procedure.
 5. To ignite any other Main Burner, repeat step 3.

If igniter does not work, follow Match Lighting instructions.

 **WARNING** 

Turn controls and gas source or tank OFF when not in use.

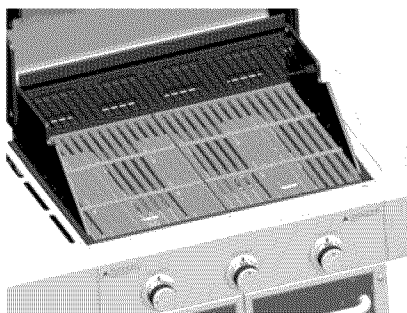
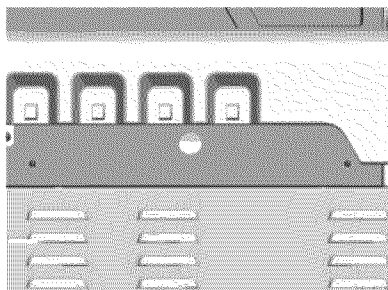
 **CAUTION** 

If ignition does NOT occur in 5 seconds, turn the burner controls OFF, wait 5 minutes and repeat the lighting procedure. If the burner does not ignite with the valve open, gas will continue to flow out of the burner and could ignite with risk of injury.

Match Lighting

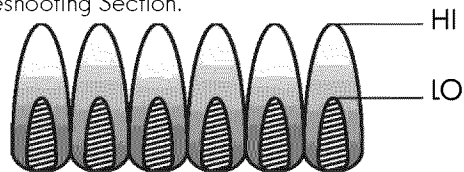
▲ Do not lean over grill while lighting.

1. Open lid during lighting.
2. Place match into match holder (hanging on back of left door).
Light match, place into lighting hole on left side of firebox.
3. Turn right knob to HI position. Be sure burner lights and stay lit.
4. Light other burners follow with step 3.



Burner Flame Check

- Remove cooking grates and heat diffusers. Light burners, turn knobs from HI to LO. You should see a smaller flame in LO position than seen on HI. Perform burner flame check on sideburner, also. Always check flame prior to each use. If only low flame is seen refer to "Sudden flame drop or low flame" in the Troubleshooting Section.



Turning Grill Off

- Turn all knobs to OFF position. Turn LP cylinder off by turning

Igniter Check

- Turn gas off at LP cylinder. Press and hold electronic igniter button. "Clicking" should be heard and spark seen each time between collector box or burner and electrode. See "Troubleshooting" if no click or spark.

Valve Check

- Important: Make sure gas is off at LP cylinder before checking valves. Knobs lock in OFF position. To check valves, first push in knobs and release, knobs should spring back. If knobs do not spring back, replace valve assembly before using grill. Turn knobs to LOW position then turn back to OFF position. Valves should turn smoothly.

Hose Check

- Before each use, check to see if hoses are cut or worn. Replace damaged hoses before using grill. Use only valve/hose/regulator as specified in the parts list of this Use & Care Guide.

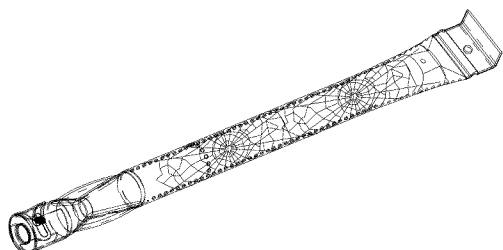
General Grill Cleaning

- Do not mistake brown or black accumulation of grease and smoke for paint. Interiors of gas grills are not painted at the factory (**and should never be painted**). Apply a strong solution of detergent and water or use a grill cleaner with scrub brush on insides of grill lid and bottom. Rinse and allow to completely air dry. **Do not apply a caustic grill/oven cleaner to painted surfaces.**
- **Porcelain surfaces:** Because of glass-like composition, most residue can be wiped away with baking soda/water solution or specially formulated cleaner. Use nonabrasive scouring powder for stubborn stains.
- **Painted surfaces:** Wash with mild detergent or nonabrasive cleaner and warm soapy water. Wipe dry with a soft nonabrasive cloth.
- **Stainless steel surfaces:** To maintain your grill's high quality appearance, wash with mild detergent and warm soapy water and wipe dry with a soft cloth after each use. Baked-on grease deposits may require the use of an abrasive plastic cleaning pad. Use only in direction of brushed finish to avoid damage. Do not use abrasive pad on areas with graphics.
- **Cooking surfaces:** If a bristle brush is used to clean any of the grill cooking surfaces, ensure no loose bristles remain on cooking surfaces prior to grilling. It is not recommended to clean cooking surfaces while grill is hot.

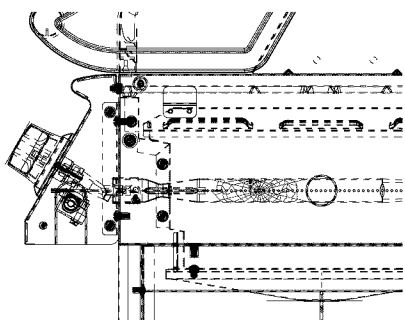
CAUTION

SPIDER ALERT!

IMPORTANT: Always ensure that the venturi burner tubes are clean. A venturi burner tube has a narrow area in which spiders tend to build nests.



If you notice that your grill is getting hard to light or that the flame isn't as strong as it should be, take the time to check and clean the venturi's.



Spiders or small insects have been known to create "flashback" problems. The spiders spin webs, build nests and lay eggs in the grill's venturi tube(s) obstructing the flow of gas to the burner. The backed-up gas can ignite in the venturi behind the control panel. This is known as a flashback and it can damage your grill and even cause injury.

To prevent flashbacks and ensure good performance the burner and venturi assembly should be removed from the grill and cleaned before use whenever the grill has been idle for an extended period.

Storing Your Grill

- Clean cooking grates.
- Store in dry location.
- When LP cylinder is connected to grill, store outdoors in a well-ventilated space and out of reach of children.
- Cover grill if stored outdoors. Choose from a variety of grill covers offered by manufacturer once available.
- Store grill indoors **ONLY** if LP cylinder is turned off and Disconnected, remove from grill and stored outdoors.
- When removing grill from storage, follow "Cleaning the Burner Assembly" instructions before starting grill.

Cleaning the Burner Assembly

Follow these instructions to clean and/or replace parts of burner assembly or if you have trouble igniting grill.

1. Turn gas off at control knobs and LP cylinder.
2. Remove cooking grates and heat diffusers.
3. Remove cotter pin from rear of burners.
4. Carefully lift each burner up and away from valve openings.

We suggest three ways to clean the burner tubes. Use the one easiest for you.

- (A) Bend a stiff wire (a light weight coat hanger works well) into a small hook. Run the hook through each burner tube several times.

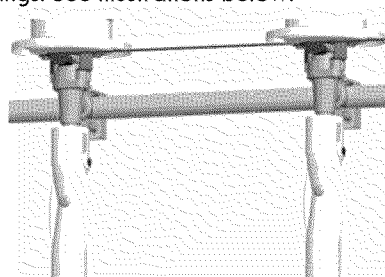


- (B) Use a narrow bottle brush with a flexible handle (do not use a brass wire brush), run the brush through each burner tube several times.

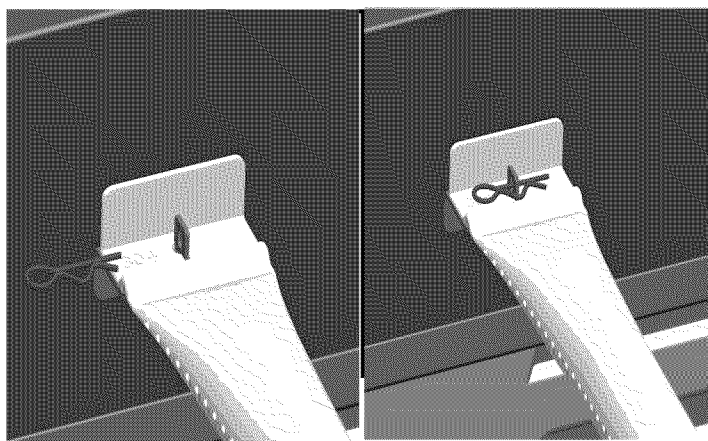
- (C) Wear eye protection: Use an air hose to force air into the burner tube and out the burner ports. Check each port to make sure air comes out each hole.

5. Wire brush entire outer surface of burner to remove food residue and dirt.
6. Clean any blocked ports with a stiff wire such as an open paper clip.
7. Check burner for damage, due to normal wear and corrosion some holes may become enlarged. If any large cracks or holes are found replace burner.

VERY IMPORTANT: Burner tubes must reengage valve openings. See illustrations below.

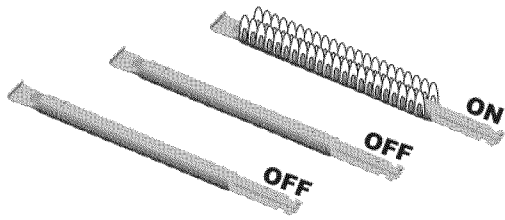


8. Carefully replace burners.
9. Attach burners to brackets with cotter pin.
10. Replace heat diffusers and cooking grates.



Indirect Cooking

Poultry and large cuts of meat cook slowly to perfection on the grill by indirect heat. Place food over unlit burner(s); the heat from lit burners circulates gently throughout the grill, cooking meat or poultry without the touch of a direct flame. This method greatly reduces flare-ups when cooking extra fatty cuts because there is no direct flame to ignite the fats and juices that drip during cooking.

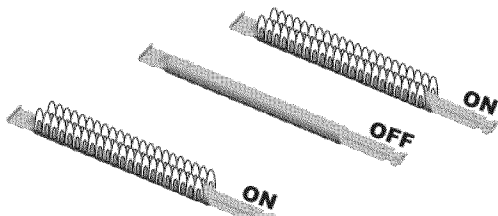


1 Burner Cooking

Cook with direct or indirect heat.
Best for smaller meals or foods.
Consumes less fuel.

Indirect Cooking Instructions

- Always cook with the lid closed.
- Due to weather conditions, cooking times may vary. During cold and windy conditions the temperature setting may need to be increased to insure sufficient cooking temperature.
- Place food over unlit burner(s).



2 Burner Cooking

Great indirect cooking on low.
Produces slow, even heating.
Ideal for slow roasting and baking.

Food Safety

Food safety is a very important part of enjoying the outdoor cooking experience. To keep food safe from harmful bacteria, follow these four basic steps:

Clean: Wash hands, utensils, and surfaces with hot soapy water before and after handling raw meat and poultry.

Separate: Separate raw meats and poultry from ready-to-eat foods to avoid cross contamination. Use a clean platter and utensils when removing cooked foods.

Cook: Cook meat and poultry thoroughly to kill bacteria. Use a thermometer to ensure proper internal food temperatures.

Chill: Refrigerate prepared foods and leftovers promptly. For more information call: USDA Meat and Poultry Hotline at 1-800-535-4555 (In Washington, DC (202) 720-3333, 10:00 am 4:00 pm EST).

How To Tell If Meat Is Grilled Thoroughly

- Meat and poultry cooked on a grill often browns very fast on the outside. Use a meat thermometer to be sure food has reached a safe internal temperature, and cut into food to check for visual signs of doneness.
- Whole poultry should reach 180° F; breasts, 170° F. Juices should run clear and flesh should not be pink.
- Hamburgers made of any ground meat or poultry should reach 160° F, and be brown in the middle with no pink juices. Beef, veal and lamb steaks, roasts and chops can be cooked to 145° F. All cuts of pork should reach 160° F.
- NEVER partially grill meat or poultry and finish cooking later. Cook food completely to destroy harmful bacteria.
- When reheating takeout foods or fully cooked meats like hot dogs, grill to 165° F, or until steaming hot.

WARNING: To ensure that it is safe to eat, food must be cooked to the minimum internal temperatures listed in the table below.

USDA* Recommended Safe Minimum Internal Temperatures	
Beef, Veal, Lamb and Pork – Whole Cuts**	145° F
Fish	145° F
Beef, Veal, Lamb and Pork – Ground	160° F
Egg Dishes	160° F
Turkey, Chicken & Duck – Whole, Pieces & Ground	165° F

* United States Department of Agriculture

**Allow meat to rest three minutes before carving or consuming.

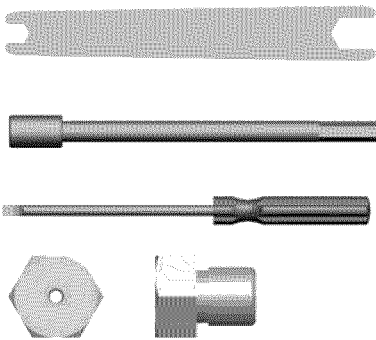
Natural Gas Conversion Kit

To purchase Natural Gas Conversion Parts call sears at
1-800-4-MY-HOME®

Natural gas conversion kit

(Manufacturer Part NO.: 30800339)

Your grill can be converted to natural gas with this conversion kit by a qualified gas technician only. In order to convert this grill the technician will need this conversion kit.



Natural gas 12' hose

If converting the grill to natural gas, the technician in most cases will need this 12' extension hose with 1/2" ID (inner diameter), which is included in the natural gas conversion kit.



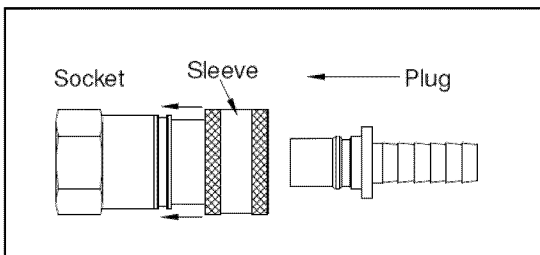
For Natural Gas Connection

Preparing:

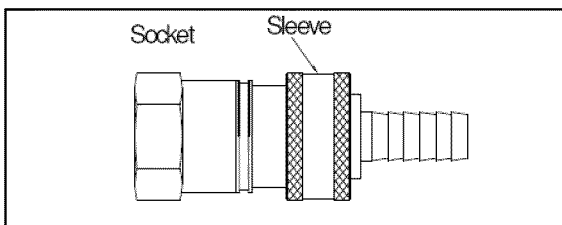
1. Turn off gas supply, and then remove cap on gas Supply side.
2. Recommended: Install a shut-off valve on gas supply side before installing the socket.
3. Socket should be installed by an authorized technician in accordance with the national fuel gas code (NFPA 54/ANSI223.1)
4. Before inserting plug, turn on gas supply and leak test all connections including the stem of the shut-off valve and the opening of the socket. For best results, use an ammonia-free soap & water solution.

Operating Instructions:

1. To connect, push back socket sleeve.



2. Insert plug and release sleeve.
3. Push plug until sleeve snaps forward. (Gas will flow automatically. Failure to connect plug properly to socket will inhibit gas flow to the appliance.)



To disconnect

1. Pull Sleeve back. Pull plug out socket. (Gas is automatically shut off.)
2. Close shut-off valve and replace dust caps on socket and plug.

LP Gas

If your grill is for LP Gas, the regulator supplied is set for an 11-in. Water column (WC) and is for use with LP gas only. The factory-supplied regulator and hose must be used with a 20-lb. LP gas tank.

Natural Gas

If your grill is for Natural Gas, it is set for a 7-in. water column (WC) and is for use with Natural Gas only. Gas pressure is affected by gas line size and the length of gas line run from house gas line. Follow the recommendations in the chart below.

From House to Grill	
Distance	Tubing Size
Up to 25 ft.	3/8 in. diameter
26-50 ft.	1/2 in. diameter
51-100 ft.	2/3 of the run: 3/4 in. diameter 1/3 of the run: 1/2 in. diameter
Over 101 ft.	3/4 in. diameter

PARTS LIST

Key	Description	Qty	Part Number	Key	Description	Qty	Part Number
1	End Cap, Right Side Shelf	1	30800206	26-2	Right Side Panel (Espresso)	1	30800051AM
2	Right Side Shelf	1	30800041	26-3	Right Side Panel (Stainless Steel)	1	30800051AS
3	Fascia, Right Side Shelf	1	30800044	26-4	Right Side Panel (Carbon Grey Metallic)	1	30800051AB
4	Side Shelf Badge	1	30800235	26-5	Right Side Panel (Vermillion Red)	1	30800051AR
5	Control Panel	1	30800024A	26-6	Right Side Panel (Green)	1	30800051AG
6	Pulse Control Line	1	30800243	26-7	Right Side Panel (Blue Metallic)	1	30800051AL
7	Pulse Ground Wire	1	30800244	27	Grease Box	1	30800082A
8	Gas Valve, Main Burner	3	30800212A	28	Tank Baffle	2	30800099
9	Manifold	1	30800028A	29	Door Handle	2	30800068
10	Gas Hose	1	30800217	30	Match Holder	1	40800128
11	Regulator Retention Bracket	1	30800054	31	Match Holder Bracket	1	40800129
12	Connector B	1	30800218	32	Match Holder Chain	1	30800234
13	Regulator	1	40800115	33-1	Right Door (Champagne)	1	30800066AC
14	Regulator Hose Hanger Clip	1	30800226	33-2	Right Door (Espresso)	1	30800066AM
15	Control Knob Bezel	3	40900036	33-3	Right Door (Stainless Steel)	1	30800066AS
16	Control Knob	3	30800219	33-4	Right Door (Carbon Grey Metallic)	1	30800066AB
17	Bottom Shelf	1	30800074A	33-5	Right Door (Vermillion Red)	1	30800066AR
18	Top Magnet Box	1	41500059	33-6	Right Door (Green)	1	30800066AG
19	Bottom Magnet Box	1	40200072	33-7	Right Door (Blue Metallic)	1	30800066AL
20	Magnet	4	40200094	34-1	Left Door (Champagne)	1	30800060AC
21	Swivel Caster	2	30800238	34-2	Left Door (Espresso)	1	30800060AM
22	Swivel Caster With Brake	2	30800237	34-3	Left Door (Stainless Steel)	1	30800060AS
23	Tank Positioning Pin	2	30800229	34-4	Left Door (Carbon Grey Metallic)	1	30800060AB
24	Cart Support Angel Bar	2	40900060	34-5	Left Door (Vermillion Red)	1	30800060AR
25	Door Hinge	4	30800236	34-6	Left Door (Green)	1	30800060AG
26-1	Right Side Panel (Champagne)	1	30800051AC	34-7	Left Door (Blue Metallic)	1	30800060AL

NOTE: Some grill parts shown in the assembly steps may differ slightly in appearance from Those on your particular grill model. However, the method of assembly remains the same.

PARTS LIST

Key	Description	Qty	Part Number	Key	Description	Qty	Part Number
35-1	Left Side Panel (Champagne)	1	30800049AC	51	Temp Gauge Bezel	1	30800208
35-2	Left Side Panel (Espresso)	1	30800049AM	52	Logo	1	30800209
35-3	Left Side Panel (Stainless Steel)	1	30800049AS	53	Rotate Rod, Lid	2	40800108
35-4	Left Side Panel (Carbon Grey Metallic)	1	30800049AB	54	Lid Handle Spacer	2	30800231
35-5	Left Side Panel (Vermillion Red)	1	30800049AR	55	Bezel, Lid Handle	2	30800011
35-6	Left Side Panel (Green)	1	30800049AG	56	Cotter Pin	5	110050
35-7	Left Side Panel (Blue Metallic)	1	30800049AL	57-1	Lid (Champagne)	1	30800002AAC
36	Back Panel	1	30800053	57-2	Lid (Espresso)	1	30800002AAM
37	Hole Bushing	1	30800245	57-3	Lid (Stainless Steel)	1	30800002AAS
38	Electronic Ignition Module	1	30800223	57-4	Lid (Carbon Grey Metallic)	1	30800002AAB
39	Main Burner Electrode L870	1	30800242	57-5	Lid (Vermillion Red)	1	30800002AAR
40	Main Burner Electrode L650	1	30800221	57-6	Lid (Green)	1	30800002AAG
41	Main Burner Electrode L430	1	30800241	57-7	Lid (Blue Metallic)	1	30800002AAL
42	Grease Tray	1	30800019A	58	Warming Rack	1	30800210
43	Main Burner	3	30800086	59	Cooking Grid	2	30800211
44	Fascia, Left Side Shelf	1	30800036	60	Heat Diffuser	3	30800018A
45	End Cap, Left Side Shelf	1	30800205	61	Firebox	1	30800013A
46	Left Side Shelf	1	30800031	62	Door Bracket	1	30800056A
47	Lid Handle	1	30800010	63	Fuel Gauge	1	30800087
48	Lid Rubber Bumper, Front	2	30800233	64	Wire Clamp	1	30800105
49	Lid Rubber Bumper, Back	2	40800107	65	Decorative Box	1	30800246
50	Temperature Gauge	1	30800207				

Not Pictured

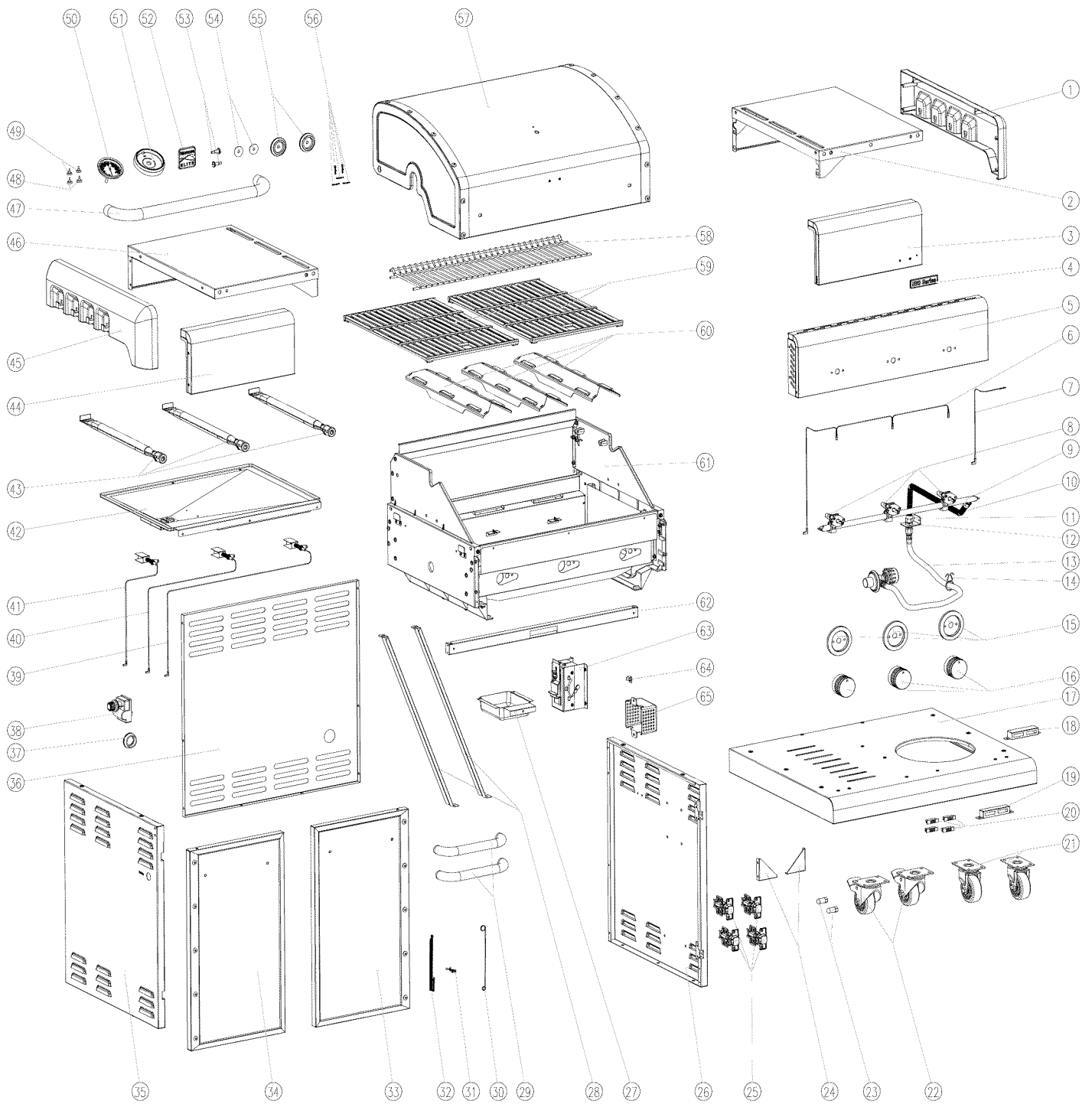
Hardware Pack	1	30800340
Manual	1	30800367A

If you are missing hardware or have damaged parts after unpacking grill, call 1-888-287-0735 for replacement.

To order replacement parts after using grill, call 1-800-4-MY-HOME®

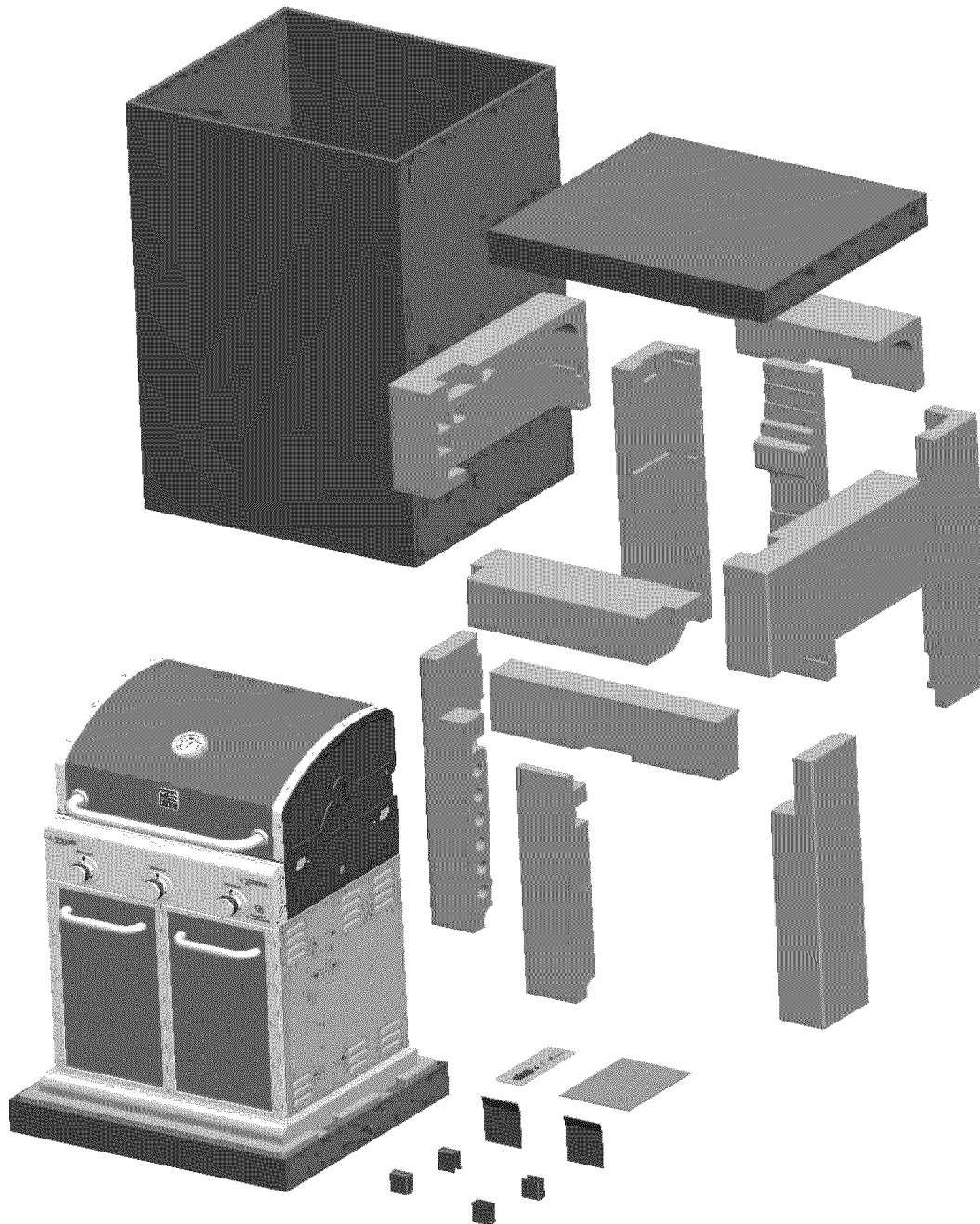
NOTE: Some grill parts shown in the assembly steps may differ slightly in appearance from Those on your particular grill model. However, the method of assembly remains the same.

DIAGRAM

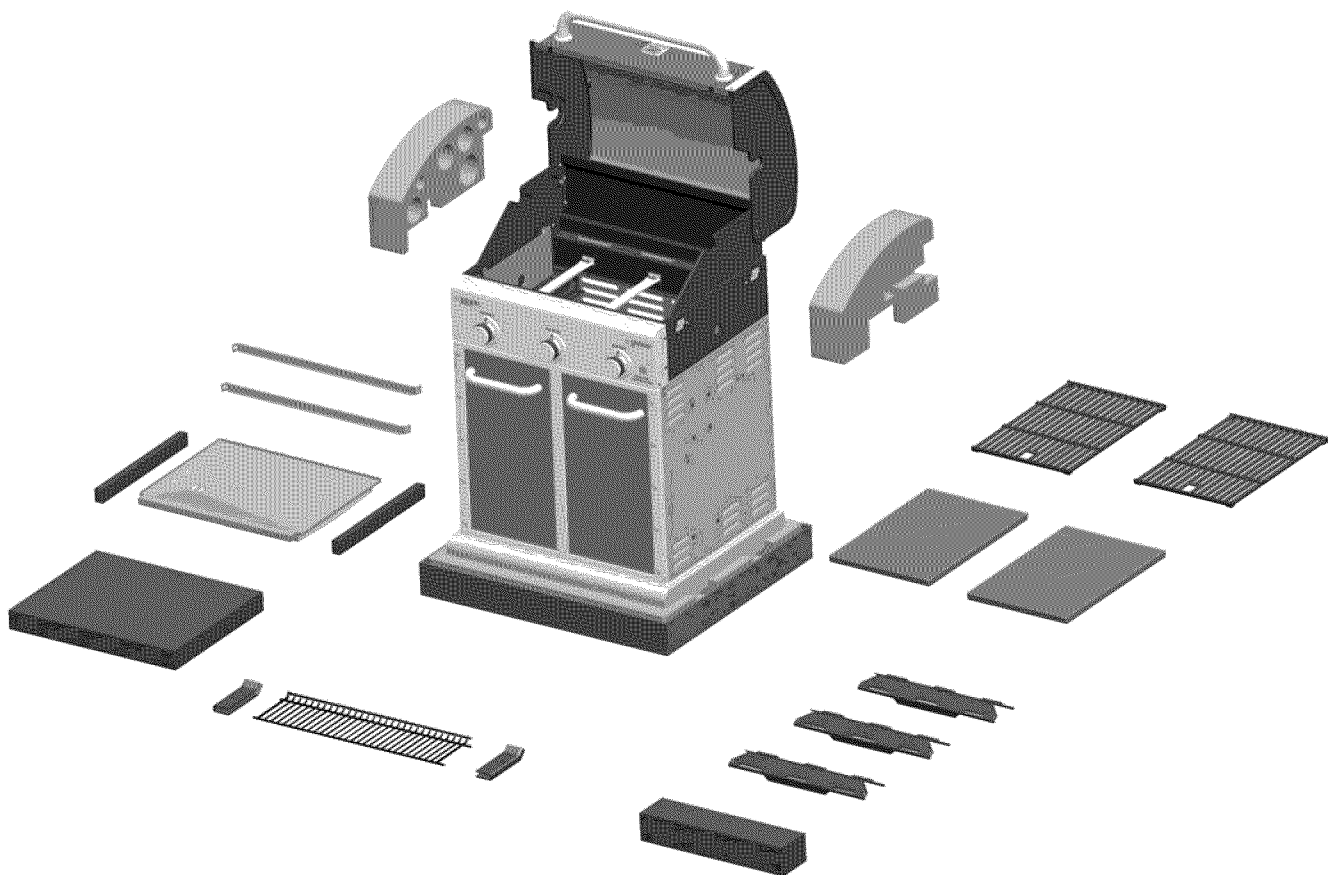
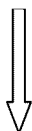
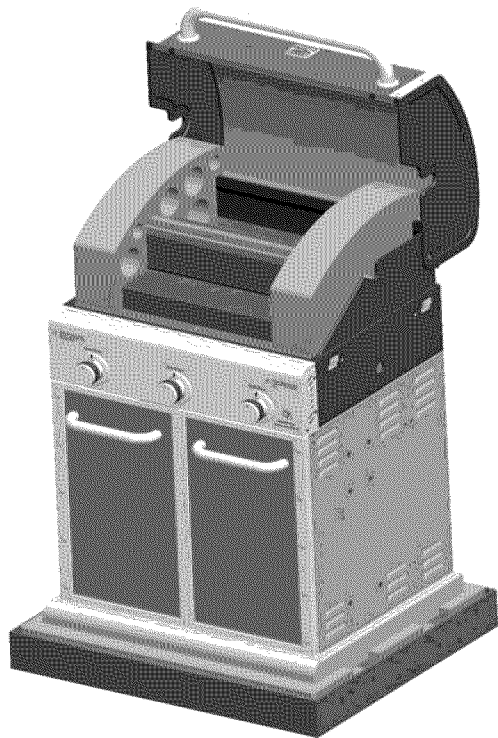


BEFORE ASSEMBLY

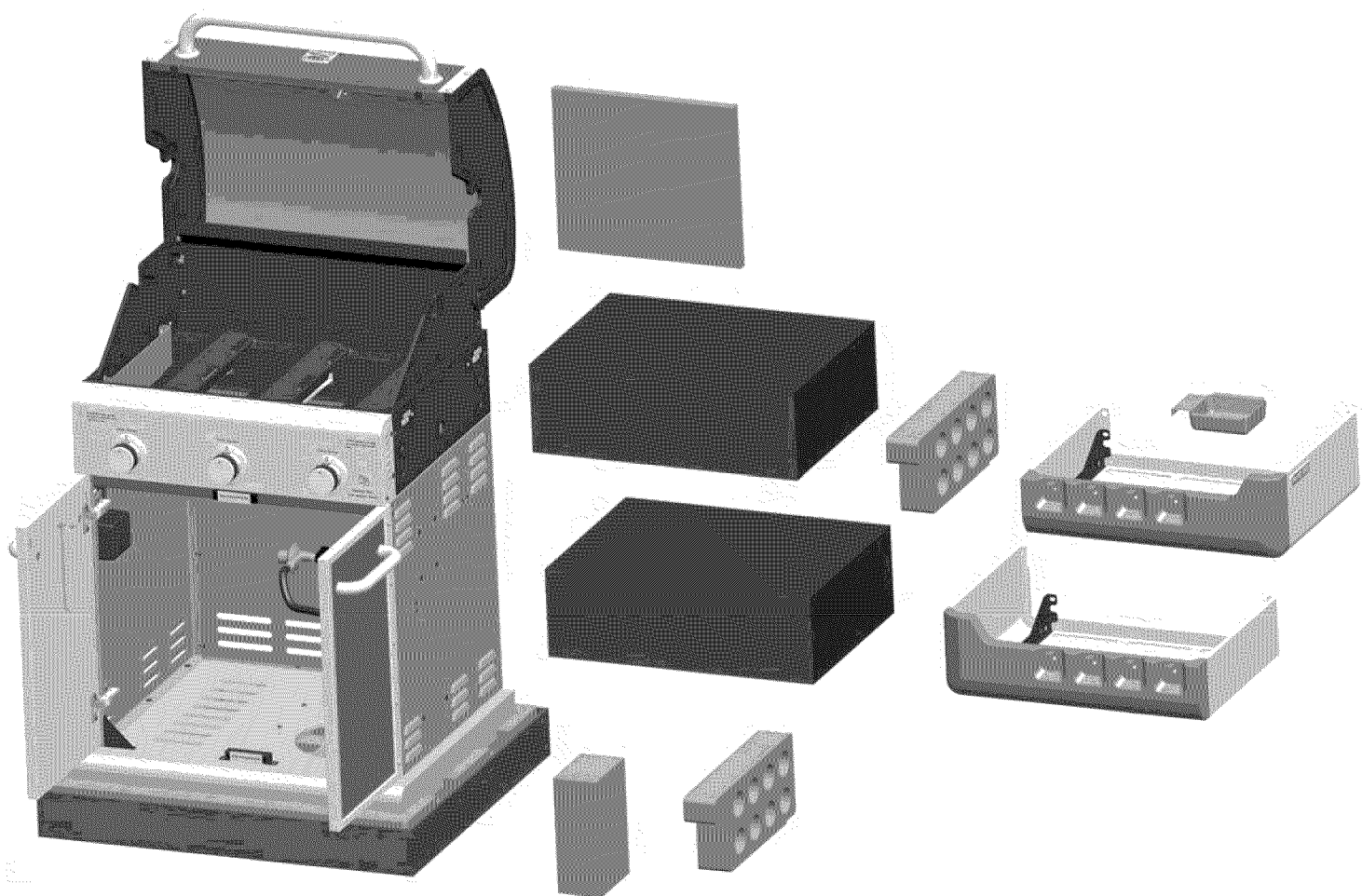
NOTICE: Once you have unpacked the grill according to the STOP SHEET instructions, check all grill parts against the pictures on this and the following two pages. If any parts are missing or damaged, call 1-888-287-0735



BEFORE ASSEMBLY



BEFORE ASSEMBLY

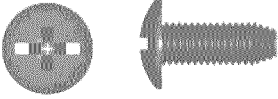
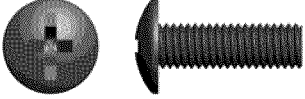
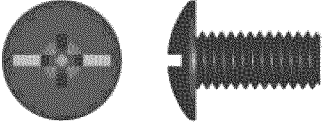



ASSEMBLY

CAREFULLY READ AND PERFORM ALL ASSEMBLY INSTRUCTIONS ON THE FOLLOWING PAGES.

Tools Required:

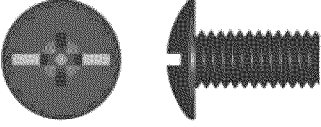
- Adjustable wrench (not provided)
- #2 and #3 Philips Screwdriver (not provided)
- The following hardware is provided in blister pack for convenient use.

<p>M4X10 Screws</p> <p>Qty: 2 pcs</p> 	<p>M4X12 Screws</p> <p>Qty: 2 pcs</p> 
<p>M6X13 Screws (Black)</p> <p>Qty: 10 pcs</p> 	<p>AA Battery</p> <p>Qty: 1 pc</p> 

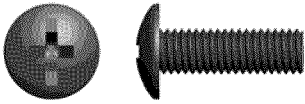
1

Left Side Shelf Assembly

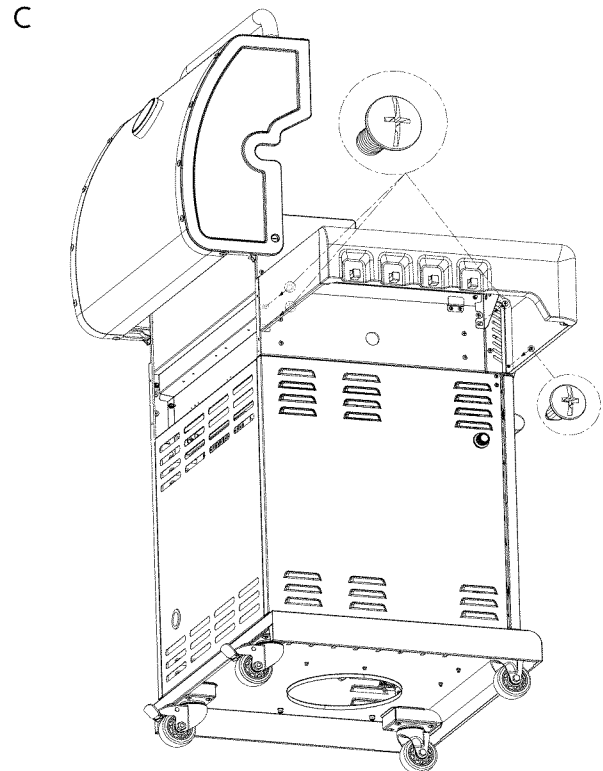
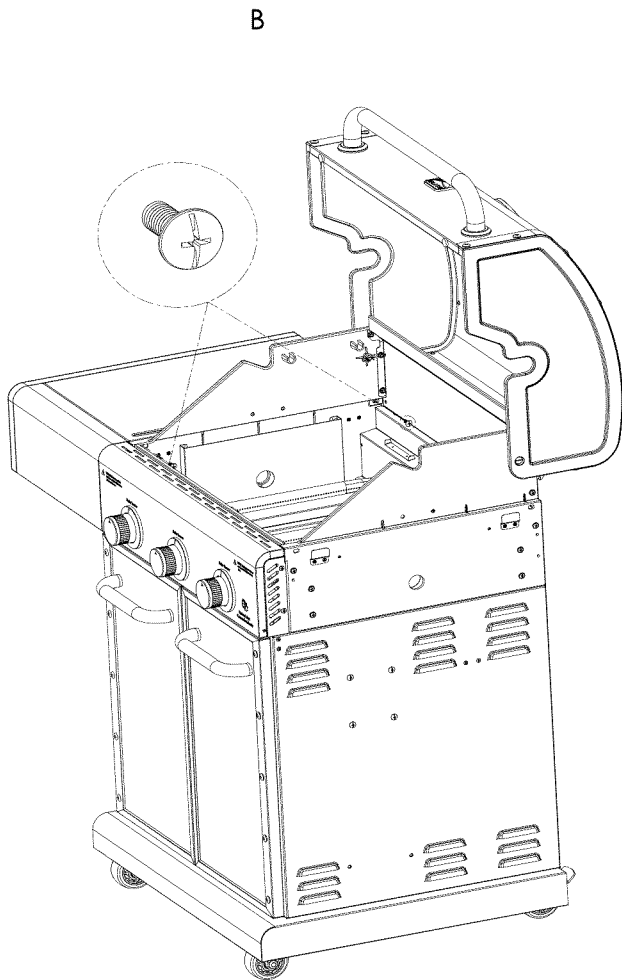
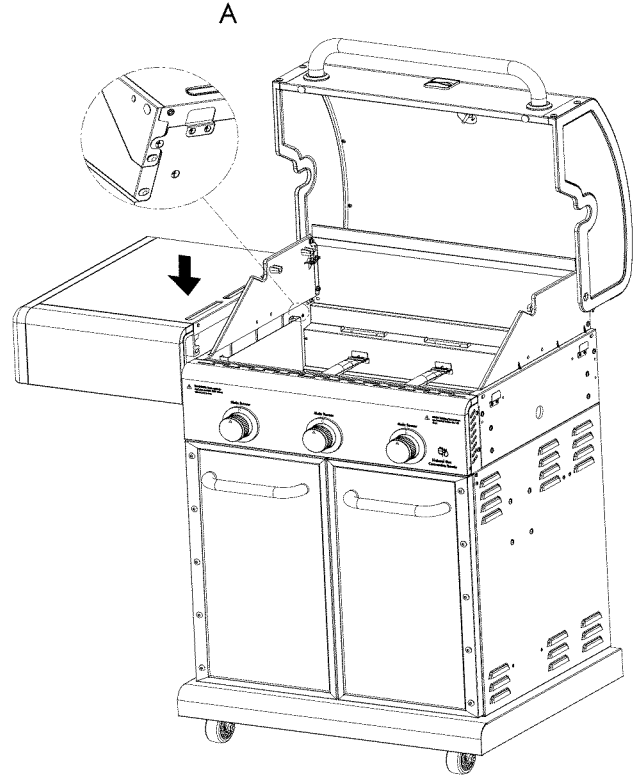
- Hang shelf onto brackets on left side of firebox. (A)
- Attach shelf to firebox from inside with (2) M6x13 screws. (B)
- Attach shelf to firebox from outside with (3) M6x13 screws and (1) M4x12 screw. (C)



M6X13 screws Qty: 5 pcs



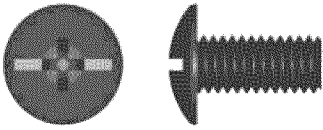
M4X12 screws Qty: 1 pc



2

Right Side Shelf Assembly

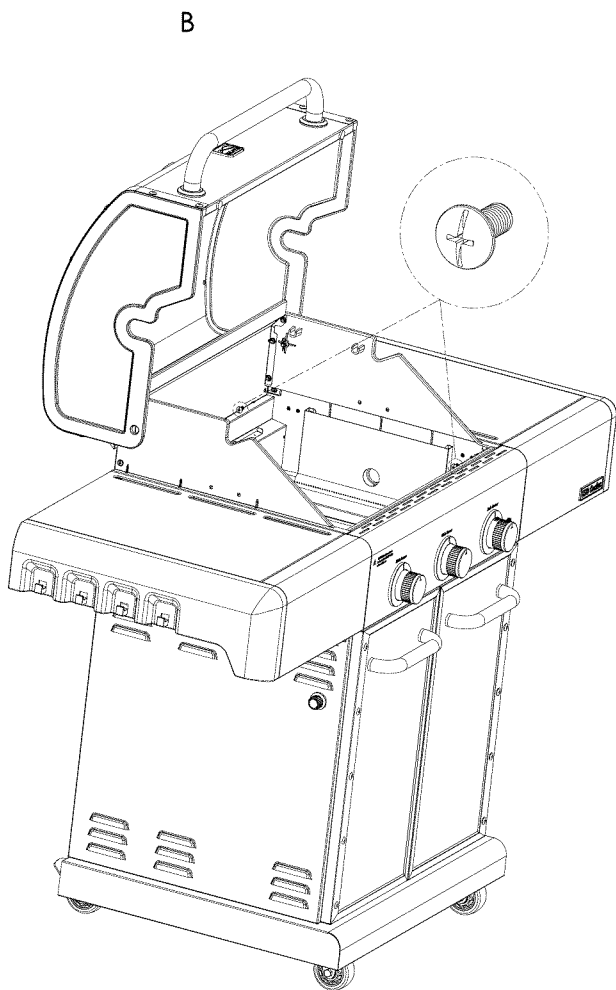
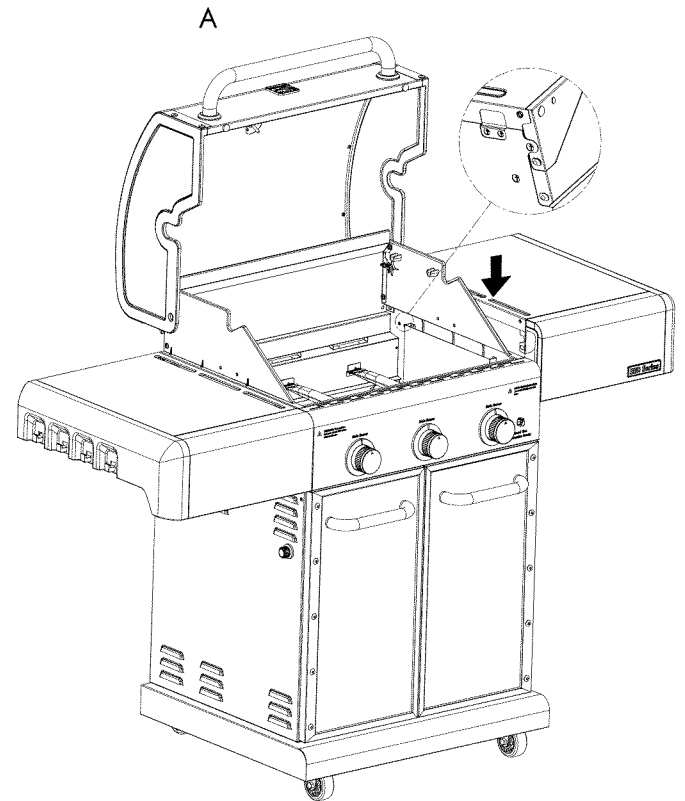
- Hang shelf onto brackets on right side of firebox. (A)
- Attach shelf to firebox from inside with (2) M6x13 screws. (B)
- Attach shelf to firebox from outside with (3) M6x13 screws and (1) M4x12 screw. (C)



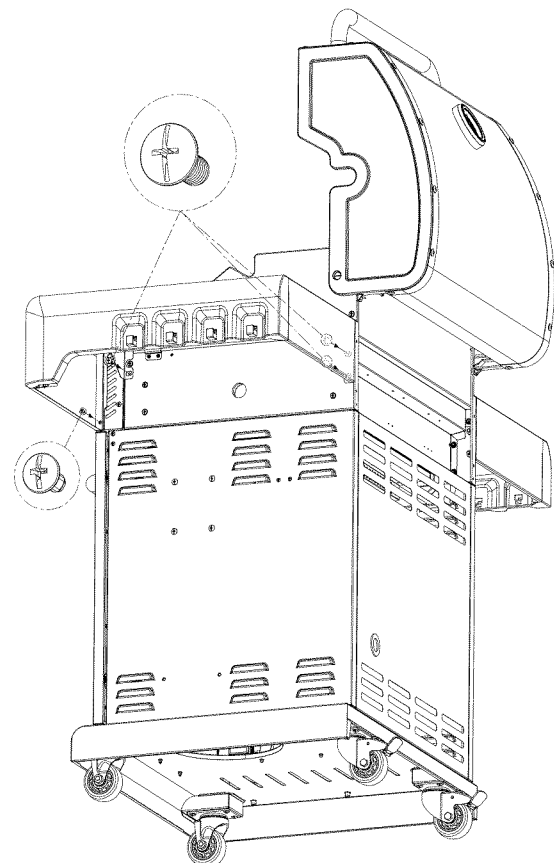
M6X13 screws Qty: 5 pcs



M4X12 screws Qty: 1 pc



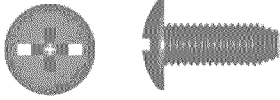
C



3

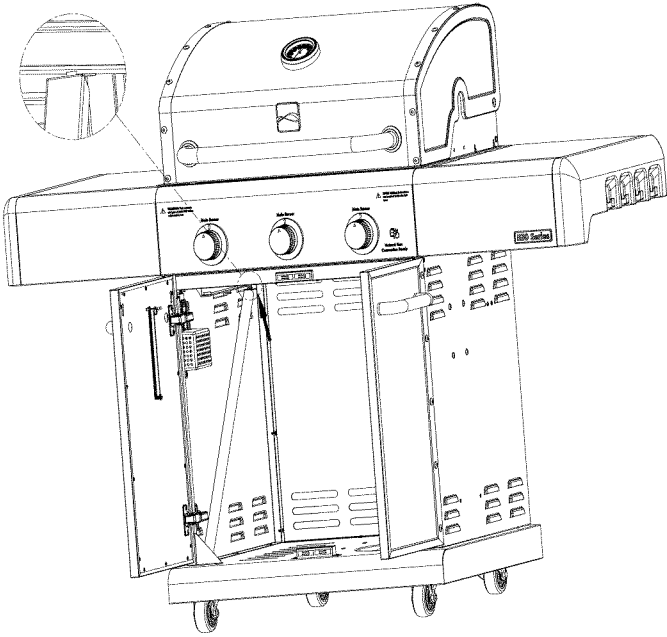
Tank Baffle Assembly

- Insert tank baffle bar tip with oval hole over oval tab on underside of grease tray bracket (A).
- Turn bar to right to lock tip in place (B).
- Secure other tip of bar to grill bottom shelf with (1) M4x10 screw (C).
- Repeat above steps for other tank baffle bar (D)

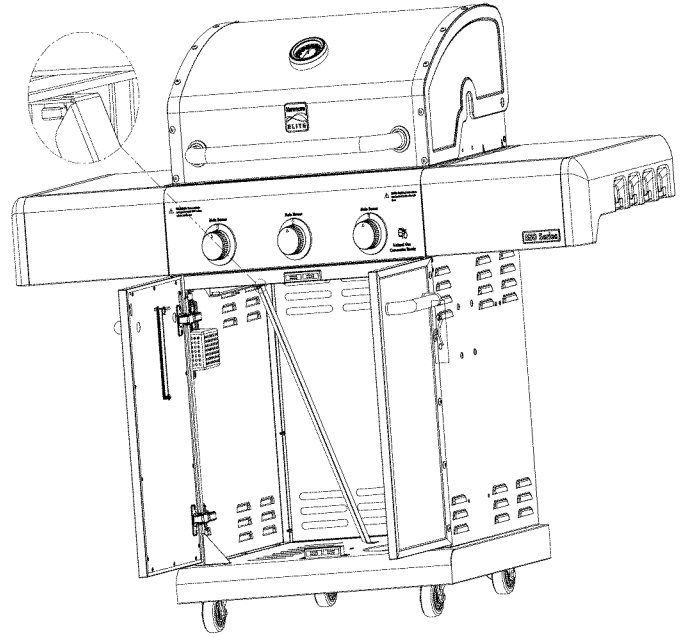


M4X10 screws Qty: 2 pcs

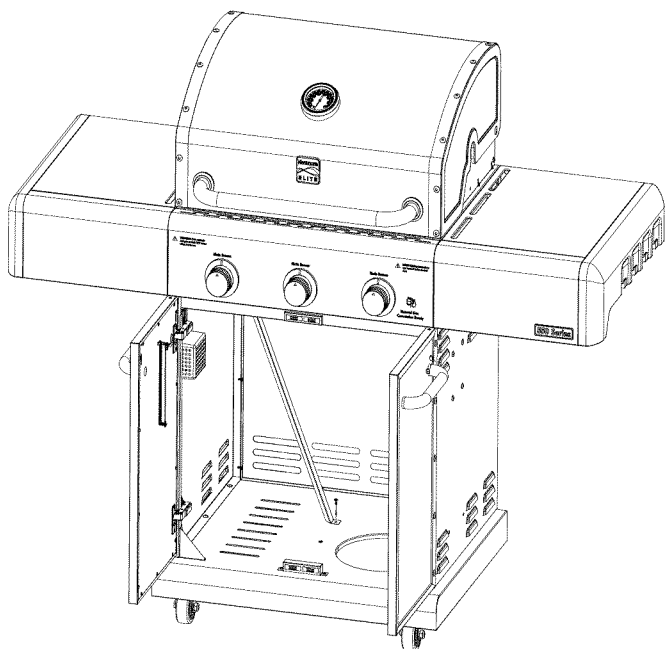
A



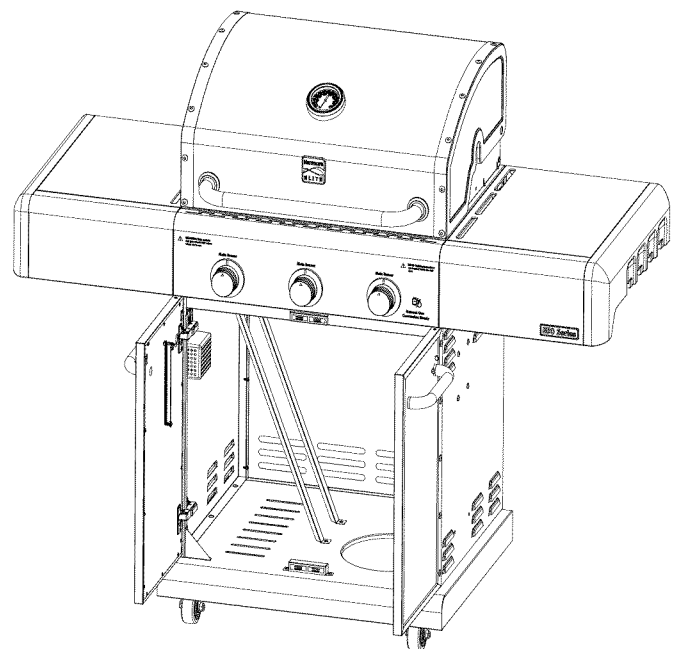
B



C



D

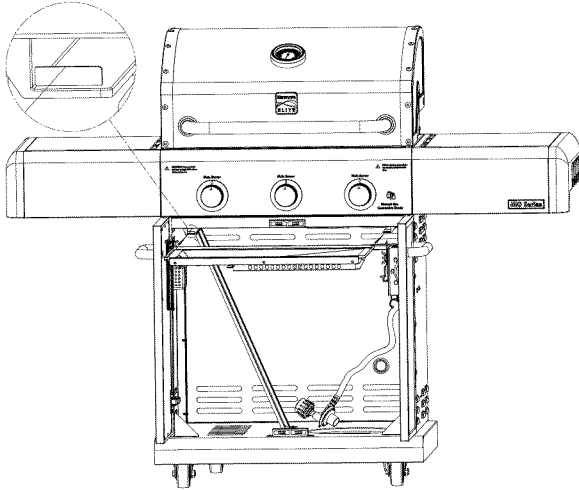


4

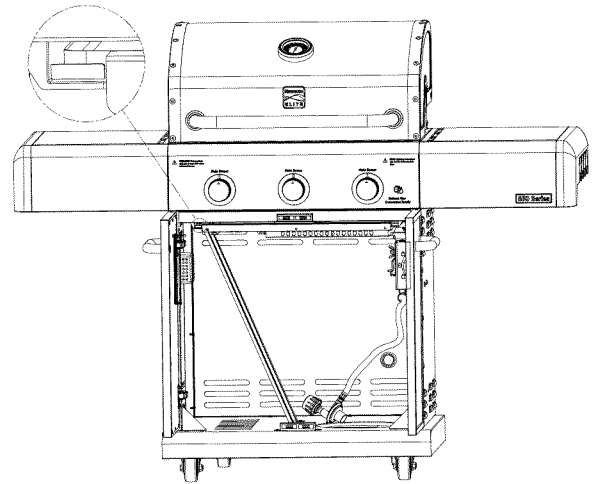
Grease Tray and Grease Box

- From front of grill, slide grease tray onto grease tray brackets underneath firebox (A). Make sure grease drainage hole is on left side (B).
- Slide grease box into grease box bracket as shown. (C) (D)

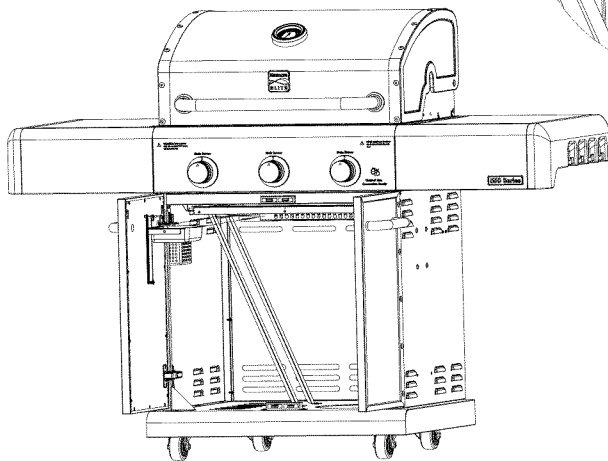
(A)



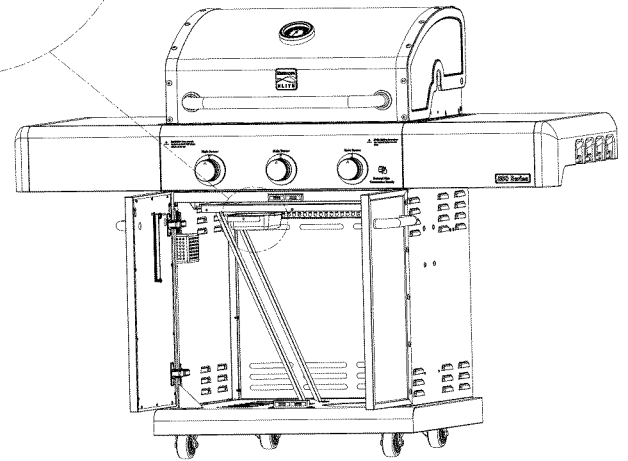
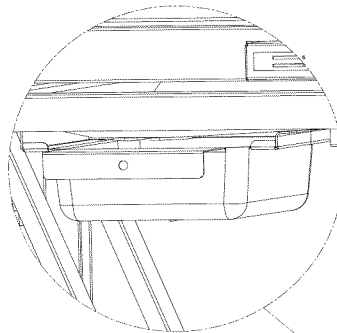
(B)



(C)



(D)



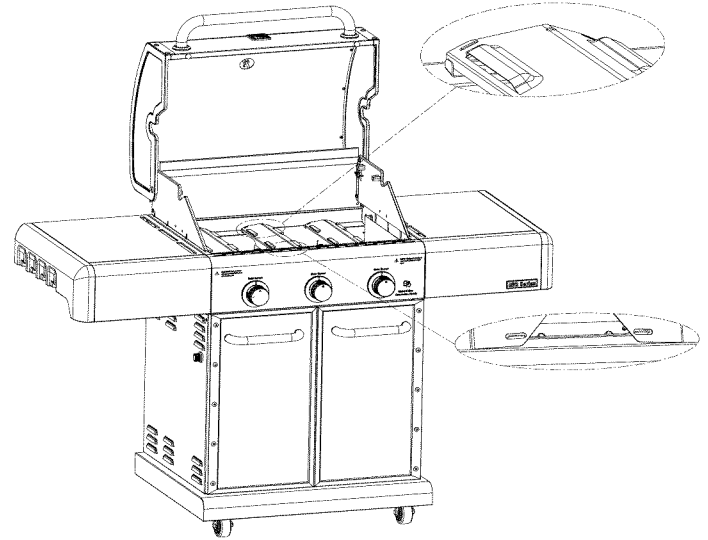
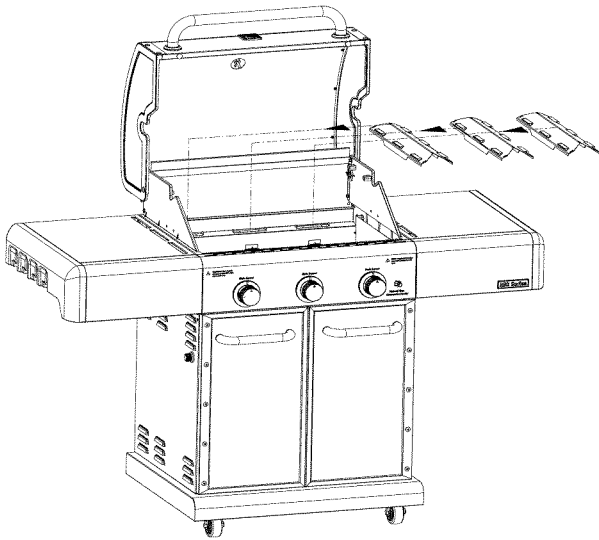
Failure to install grease box will cause hot grease to drip from bottom of grill with risk of fire or property damage.

5

Heat Diffusers, Cooking Grate and Warming Rack

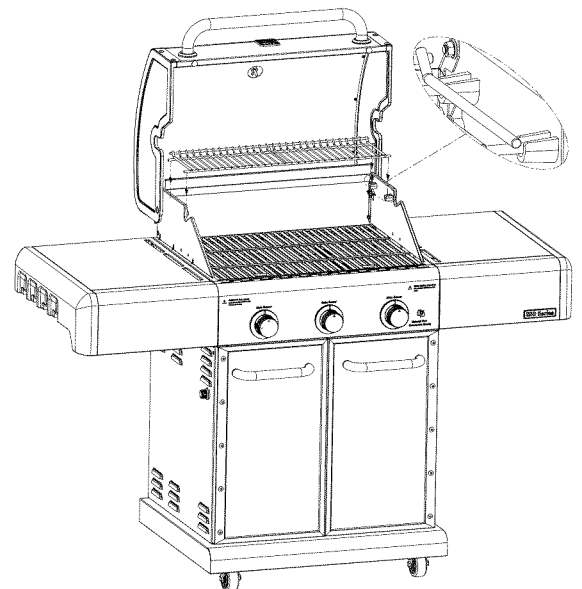
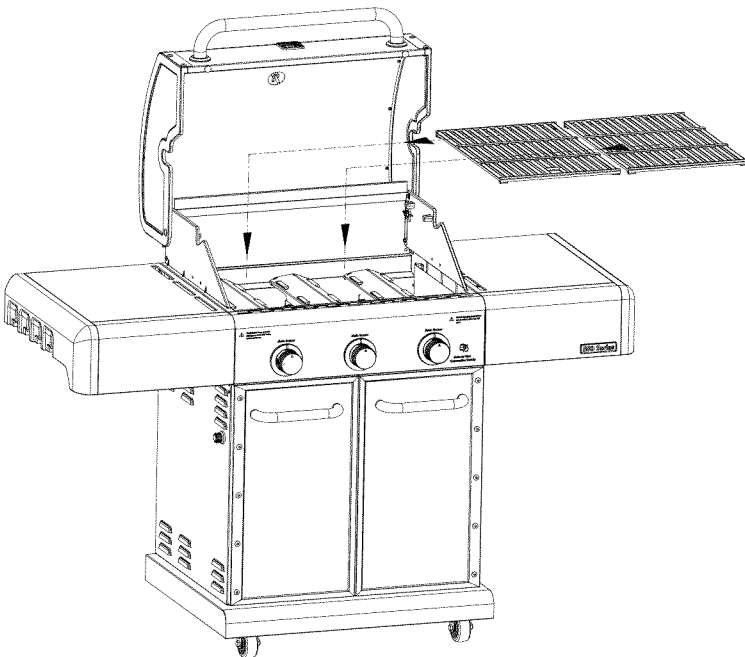
- Place heat diffusers over burners. The heat diffusers will fit in firebox in either direction. Fit tabs in firebox front through slots in diffuser tips. Fit diffuser tips inside tabs in firebox rear. **(A)**
- Place cooking grates onto grate rests. **(B)**
- Insert warming rack into brackets at top of firebox as shown. **(C)**

(A)



(B)

(C)

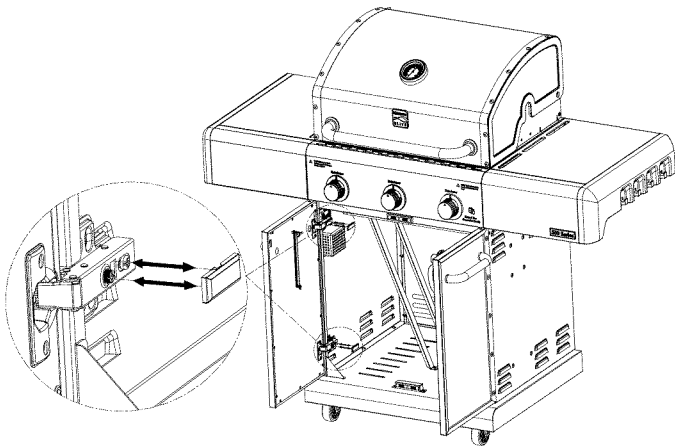


6

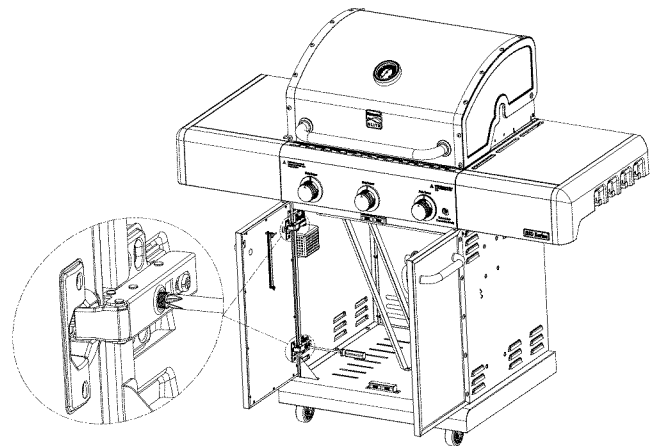
Door Adjustment (Left door shown)

- Remove the screw cover from the upper and lower hinges to expose the adjustment screws (A).
- To adjust the gap between the doors, turn the outer screws counterclockwise to increase the gap, and clockwise to decrease the gap (A & B).
- To adjust the gap between the door and the cart, loosen the inner screws, then move the door to the desired position and retighten the screws (C).

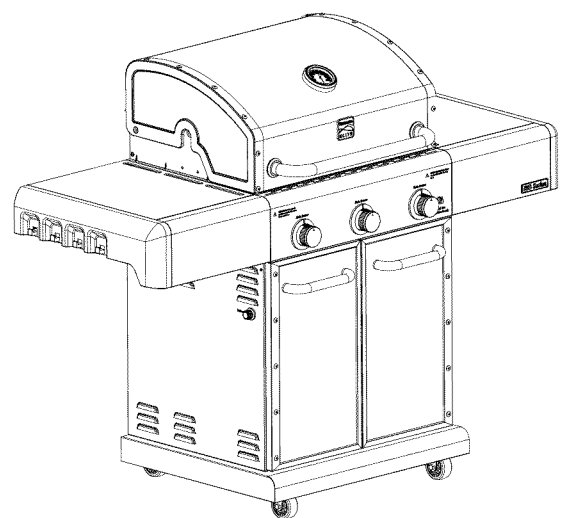
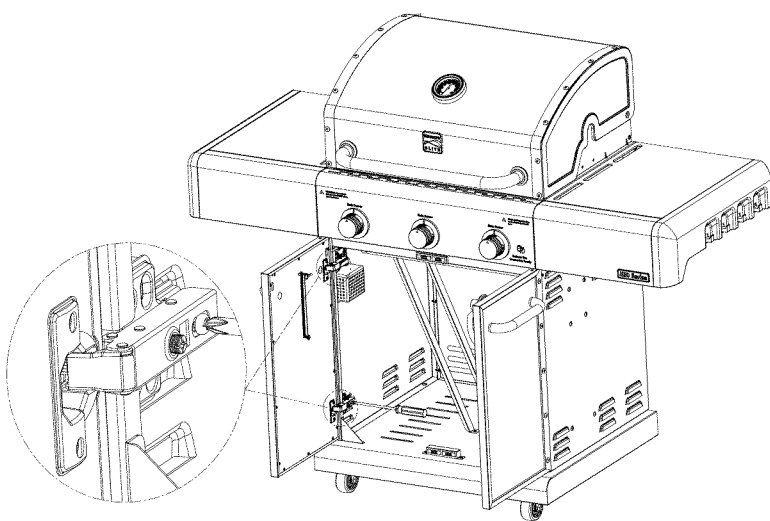
(A)



(B)



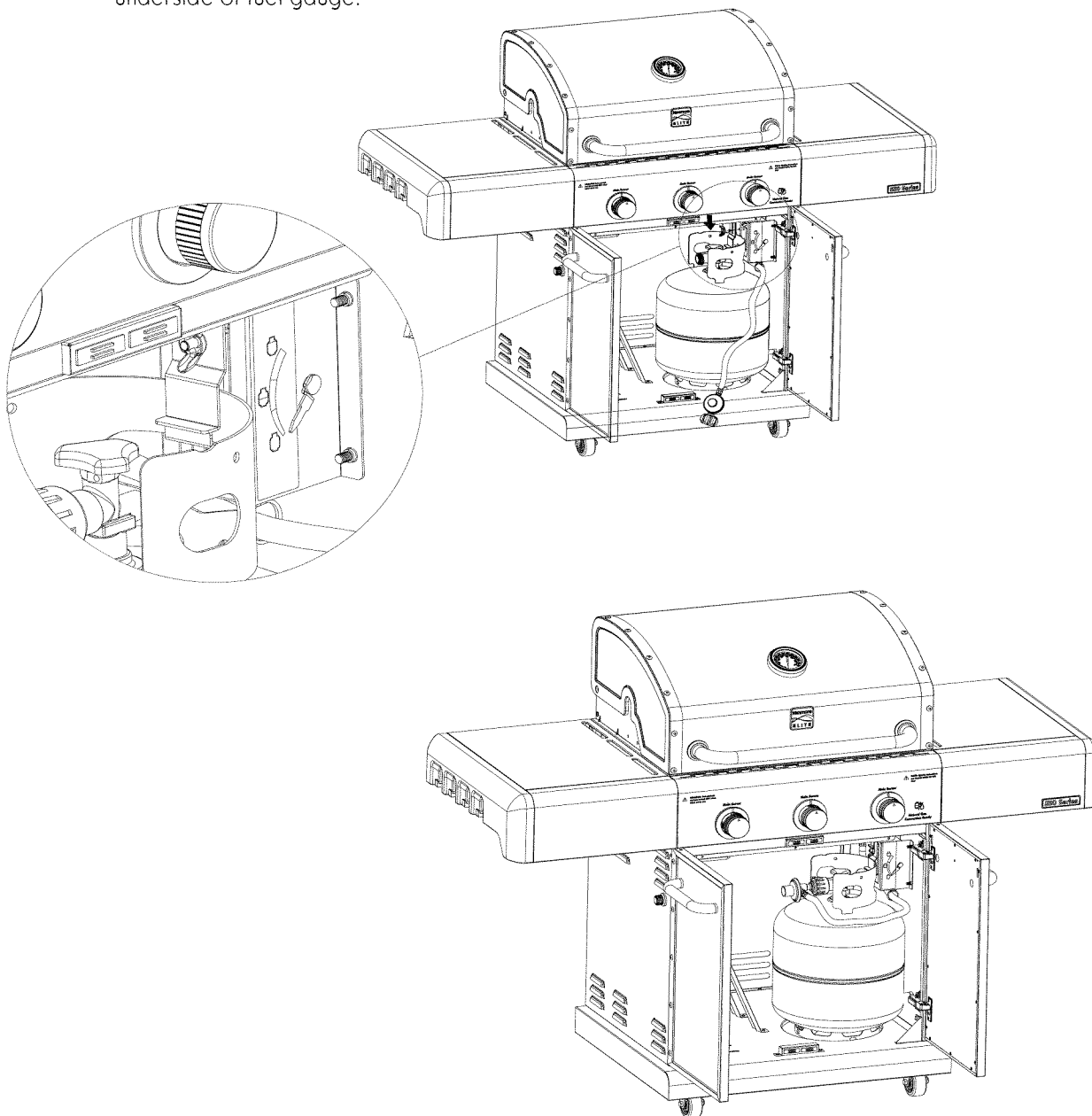
(C)



7

Gas Tank Installation

- LP tank is sold separately.
- Place LP tank onto fuel gauge with tank collar opening facing to the left as shown. First hang tank collar opening over hook in face of gauge. Then rotate gauge latch down over collar and tighten wing nut to secure collar in place.
- Connect the regulator and hose to the tank as shown. Make sure that hose is clipped to underside of fuel gauge.



CAUTION

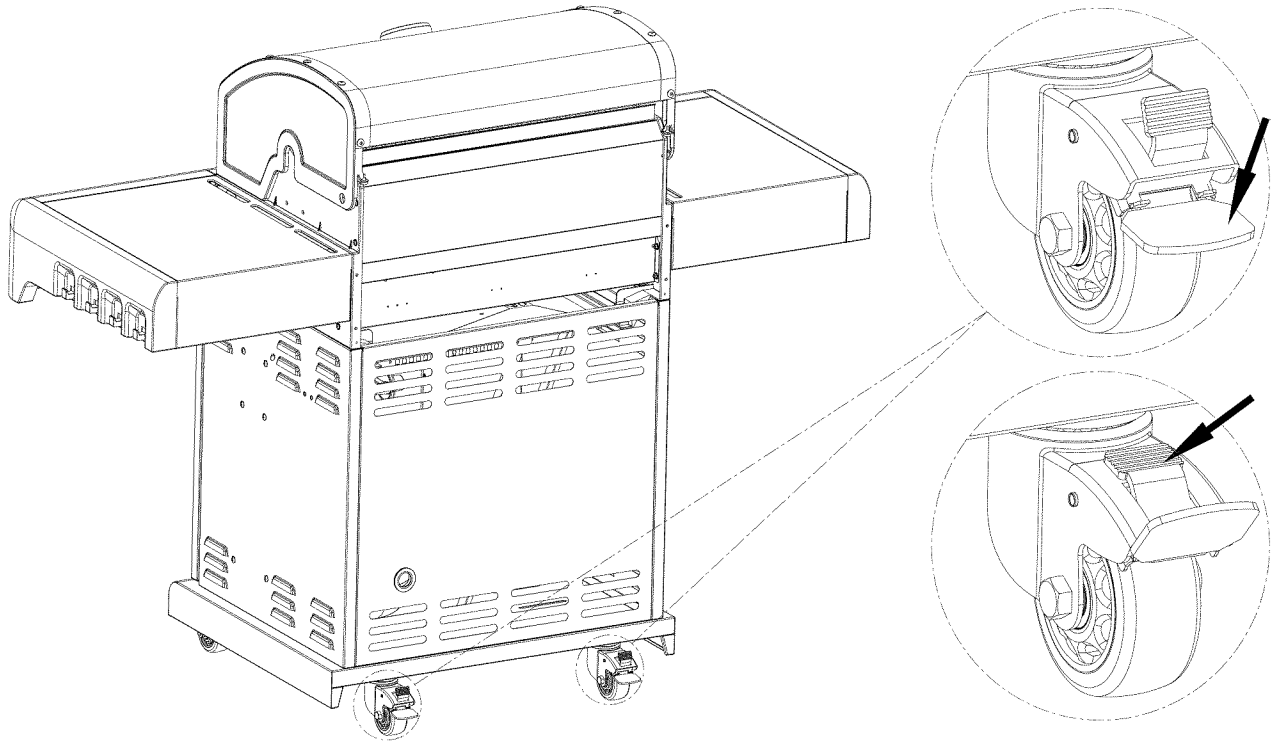


Failure to install tank correctly may allow gas hose to be damaged in operation.

8

Safety Notice - Lock Caster Brakes

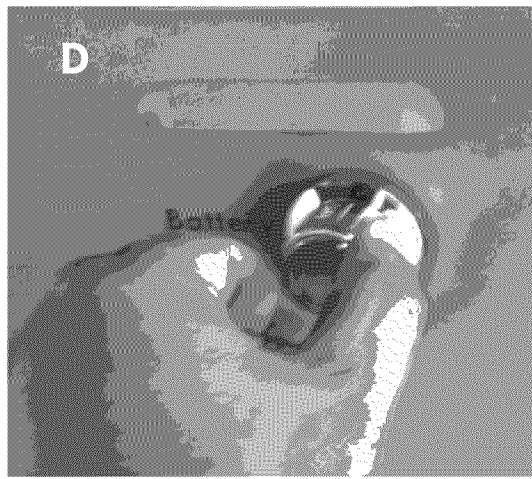
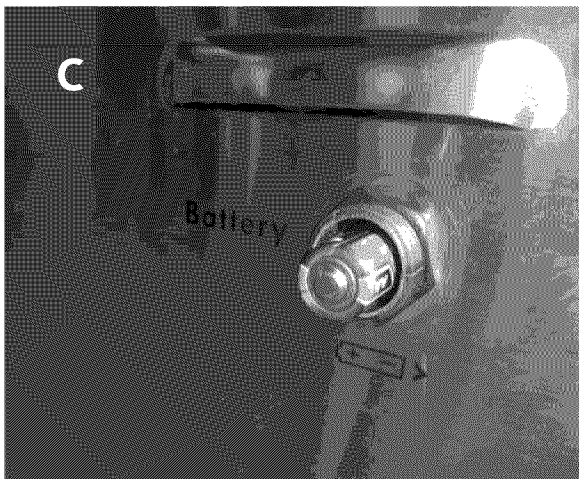
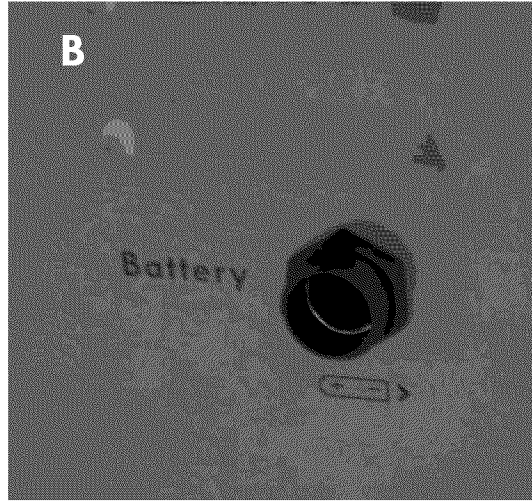
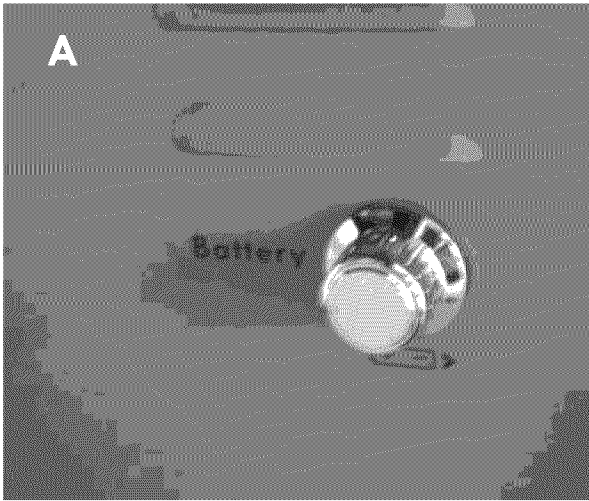
- When the grill is in the desired location, lock the caster brakes; this will help the grill stay in place for safe operation.



9

Battery

- Unscrew the igniter cap from the left panel as shown below. (A) (B)
- Insert (1) AA battery into battery slot with positive (+) facing outward. Screw igniter cap back onto panel. (C) (D)



EMERGENCIES: If a gas leak cannot be stopped, or a fire occurs due to gas leakage, call the fire department.

Problem	Possible Cause	Prevention/Solution
Gas leaking from cracked/cut/burned hose.	<ul style="list-style-type: none"> Damaged hose. 	<ul style="list-style-type: none"> Turn off gas at LP cylinder or at source on natural gas systems. If the hose is cracked or cut but not burned, simply replace valve / hose / regulator. If the hose is burned, the cause could be other than a faulty valve/hose/regulator. Discontinue use of grill until a plumber or gas technician has investigated and corrected the problem.
Gas leaking from LP cylinder.	<ul style="list-style-type: none"> Mechanical failure due to rusting or mishandling. 	<ul style="list-style-type: none"> Replace LP cylinder.
Gas leaking from LP cylinder valve.	<ul style="list-style-type: none"> Failure of cylinder valve from mishandling or mechanical failure. 	<ul style="list-style-type: none"> Turn off LP cylinder valve. Return LP cylinder to gas supplier.
Gas leaking between LP cylinder and regulator connection.	<ul style="list-style-type: none"> Improper installation, connection not tight, failure of rubber seal. 	<ul style="list-style-type: none"> Turn off LP cylinder valve. Remove regulator from cylinder and visually inspect rubber seal for damage. See LP Cylinder Leak Test and Connecting Regulator to the LP Cylinder.
Fire coming through control panel.	<ul style="list-style-type: none"> Fire in burner tube section of burner due to blockage. 	<ul style="list-style-type: none"> Turn off control knobs and LP cylinder valve. Leave lid open to allow flames to die down. After fire is out and grill is cold, remove burner and inspect for spider nests or rust. See Spider Alert and Cleaning the Burner Assembly sections of this Use & Care Guide.
Grease fire or continuous excessive flames above cooking surface.	<ul style="list-style-type: none"> Too much grease buildup in burner area. 	<ul style="list-style-type: none"> Turn off control knobs and LP cylinder valve. Leave lid open to allow flames to die down. After cooling, clean food particles and excess grease from inside firebox area, grease tray, and other surfaces.

Troubleshooting

Problem	Possible Cause	Prevention/Solution
<p>Burner(s) will not light using igniter. (See Electronic Ignition Troubleshooting also)</p> <p>Continued on next page.</p>	<p>GAS ISSUES:</p> <ul style="list-style-type: none"> Trying to light wrong burner. Burner not engaged with control valve. Obstruction in burner. No gas flow. Vapor lock at coupling nut to LP cylinder. Coupling nut and LP cylinder valve not fully connected. Electrode cracked or broken; "sparks at crack. Electrode tip not in proper position. <p>Wire and/or electrode covered with cooking residue.</p> <ul style="list-style-type: none"> Wires are loose or disconnected. Wires are shorting (sparking) between igniter and electrode. <ul style="list-style-type: none"> Dead battery. 	<ul style="list-style-type: none"> See instructions on control panel and in Use and Care section. Make sure valves are positioned inside of burner tubes. Ensure burner tubes are not obstructed with spider webs or other matter. See cleaning section of Use and Care. Make sure LP cylinder is not empty. If LP cylinder is not empty, refer to "Sudden drop in gas flow." Turn off knobs and disconnect coupling nut from LP cylinder. Reconnect and retry. Turn the coupling nut approximately one-half to three-quarters additional turn until solid stop. Tighten by hand only - do not use tools. Replace electrode(s). <p>Main Burners:</p> <ul style="list-style-type: none"> Tip of electrode should be pointing toward gas port opening on burner. The distance should be 1/8" to 1/4". Adjust if necessary. <p>Sideburner</p> <ul style="list-style-type: none"> Tip of electrode should be pointing toward gas port opening on burner. The distance should be 1/8" to 3/16". Adjust if necessary. Clean wire and/or electrode with rubbing alcohol and clean swab. Reconnect wires or replace electrode/wire assembly. Replace igniter wire/electrode assembly. Replace with a new AA-size alkaline battery.

Troubleshooting (continued)

Problem	Possible Cause	Prevention/Solution
Burner(s) will not light using igniter. (See Electronic Ignition Troubleshooting also)	ELECTRONIC IGNITION: <ul style="list-style-type: none"> • No spark, no ignition noise. • No spark, some ignition noise. • Sparks, but not at electrode or at full strength. 	<ul style="list-style-type: none"> • See Section I of Electronic Ignition System. • See Section II of Electronic Ignition System. • See Section III of Electronic Ignition System.
Burner(s) will not match light.	<ul style="list-style-type: none"> • See "GAS ISSUES:" on previous page. • Match will not reach. • Improper method of match-lighting. 	<ul style="list-style-type: none"> • Use long-stem match (fireplace match). • See "Match-Lighting" section of Use and Care.
Sudden drop in gas flow or low flame.	<ul style="list-style-type: none"> • Out of gas. • Excess flow valve tripped. • Vapor lock at coupling nut/LP cylinder connection. 	<ul style="list-style-type: none"> • Check for gas in LP cylinder. • Turn off knobs, wait 30 seconds and light grill. If flames are still low, turn off knobs and LP cylinder valve. Disconnect regulator. Reconnect regulator and leak-test. Turn on LP cylinder valve, wait 30 seconds and then light grill. • Turn off knobs and LP cylinder valve. Disconnect coupling nut from cylinder. Reconnect and retry.
Flames blow out.	<ul style="list-style-type: none"> • High or gusting winds. • Low on LP gas. • Excess flow valve tripped. 	<ul style="list-style-type: none"> • Turn front of grill to face wind or increase flame height. • Refill LP cylinder. • Refer to "Sudden drop in gas flow" above.
Flare-up.	<ul style="list-style-type: none"> • Grease buildup. • Excessive fat in meat. • Excessive cooking temperature. 	<ul style="list-style-type: none"> • Clean burners and inside of grill/firebox. • Trim fat from meat before grilling. • Adjust (lower) temperature accordingly.
Persistent grease fire.	<ul style="list-style-type: none"> • Grease trapped by food buildup around burner system. 	<ul style="list-style-type: none"> • Turn knobs to OFF. Turn gas off at LP cylinder. Leave lid in position and let fire burn out. After grill cools, remove and clean all parts.
Flashback... (fire in burner tube(s)).	<ul style="list-style-type: none"> • Burner and/or burner tubes are blocked. 	<ul style="list-style-type: none"> • Turn knobs to OFF. Clean burner and/or burner tubes. See burner cleaning section of Use and Care.
Unable to fill LP cylinder.	<ul style="list-style-type: none"> • Some dealers have older fill nozzles with worn threads. 	<ul style="list-style-type: none"> • The worn nozzles don't have enough "bite" to engage the valve. Try a second LP dealer.
One burner does not light from other burner(s).	<ul style="list-style-type: none"> • Grease buildup or food particles in end(s) of carryover tube(s). 	<ul style="list-style-type: none"> • Clean carry-over tube(s) with wire brush.

Troubleshooting - Electronic Ignition

Problem	Possible Cause	Check Item	Prevention/Solution
<p>SECTION I No sparks appear at any electrodes when control knob turned to HI: no noise can be heard from spark module.</p>	<ul style="list-style-type: none"> • Battery not installed properly. • Dead battery. • Button assembly not installed properly. • Faulty spark module. 	<ul style="list-style-type: none"> • Check battery orientation. • Has battery been used previously? • Check to insure threads are properly engaged. Button should travel up and down without binding. • If no sparks are generated with new battery and good wire connections, module is faulty. 	<ul style="list-style-type: none"> • Install battery (make sure that "+" and "-" connectors are oriented correctly, with "+" end up and "-" end down.) • Replace battery with new AA-size alkaline battery. • Unscrew button cap assembly and reinstall, making sure threads are aligned and engaged fully. • Replace spark module assembly.
<p>SECTION II No sparks appear at any electrodes when control knob turned to HI; noise can be heard from spark module.</p>	<ul style="list-style-type: none"> • Output lead connections not connected. 	<ul style="list-style-type: none"> • Are output connections on and tight? 	<ul style="list-style-type: none"> • Remove and reconnect all output connections at module and electrodes.
<p>SECTION III Sparks are present but not at all electrodes and/or not at full strength</p>	<ul style="list-style-type: none"> • Output lead connections not connected. • Electrical arc between output wires and grill frame. • Weak battery. • Electrodes are wet. • Electrode(s) cracked or broken; sparks appear where cracked. 	<ul style="list-style-type: none"> • Are output connections on and tight? • If possible, observe grill in dark location. Operate ignition system and look for arcing between output wires and grill frame. • All sparks present but weak or at slow rate. • Has moisture accumulated on electrode and/or in burner ports? • Inspect electrodes for cracks. 	<ul style="list-style-type: none"> • Remove and reconnect all output connections at module and electrodes. • If sparks are observed other than from burner(s), wire insulation may be damaged. Replace wires. • Replace battery with a new AA-size alkaline battery. • Use paper towel to remove moisture. • Replace cracked or broken electrodes.

Estimado Nuevo Kenmore Propietario,

Felicitaciones por la compra de su nueva Serie Kenmore Elite 550 Gas Grill! Kenmore Elite Series Grills se han diseñado y construido de abajo hacia arriba, con especial atención a los más mínimos detalles. Esta parrilla ha sido diseñado para ofrecerle una cocción uniforme los resultados, el desempeño rápido y preciso control por lo que tiene plena confianza cada vez que la parrilla.

La marca Kenmore tiene más de una historia de 100 años de soluciones innovadoras que permitan a nuestros socios y clientes para aprovechar mejor de sus vidas. Durante este tiempo, la marca Kenmore ha evolucionado a través de la tecnología, el estilo y las necesidades específicas de cada generación. Sin embargo, se mantiene una constante - todos los productos Kenmore ofrecen claves para vivir más como una mayor comodidad, un mejor rendimiento y ahorro de tiempo. Su nueva parrilla de gas Kenmore Elite es otro ejemplo de este gran legado Kenmore.

Por supuesto, si usted tiene cualquier problema con su nueva parrilla, por favor contacte con nosotros al 1-800-4-MY-HOME, oa través de Sears.com. También esperamos que compartan sus recetas para asar y las historias con nosotros y los demás. Usted puede hacer esto visitando el Kenmore cookmore.com o grillingshappiness.com sitios web.

Gracias por lo que nos permite hacer este increíble producto de una parte de su vida usted. Esperamos que disfrute de una gran variedad de comidas con su familia y amigos, creando muchos recuerdos felices.



Kenmore® • tested for living™

	PELIGRO	
<p>Si siente olor a gas:</p> <ol style="list-style-type: none">1. Cierre el paso de gas al aparato.2. Apague toda llama al descubierto.3. Abra la tapa.4. Si persiste el olor, aléjese del aparato y llame inmediatamente al proveedor local de gas o a los bomberos.		

	ADVERTENCIA	
<ol style="list-style-type: none">1. No guarde ni use gasolina ni otros líquidos o gases inflamables cerca de éste ni de cualquier otro aparato.2. No guarde un tanque de gas propano, que no esté conectado, cerca de éste ni de cualquier otro aparato.		

Comuníquese con el centro de servicio para parrillas para solicitar ayuda o repuestos

Si tiene alguna pregunta o necesita ayuda durante el armado, llámenos al 1-888-287-0735. Hablará con un representante del fabricante de la parrilla, no con un empleado de Sears. Para pedir piezas nuevas, llame a Sears al 1-800-4-MY-HOME®.

Registro del producto

IMPORTANTE: Llene la siguiente información de registro.

Número de modelo	_____
Número de Serie	_____
Ver etiqueta de clasificación en la parrilla para el número de serie.	
Fecha de compra	_____



Medidas de seguridad para la instalación

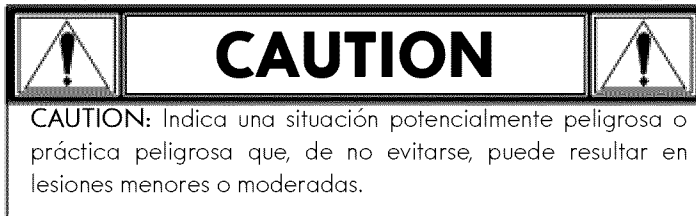
- Por favor, lea este manual del usuario en su totalidad antes de usar la parrilla.
- El incumplimiento de las enseñanzas impartidas en serio puede resultar en lesiones corporales y / o daños materiales.
- Algunas partes de esta parrilla pueden tener bordes filosos. Por favor, use guantes protectores adecuados.
- Use la parrilla únicamente con gas propano y con la unidad reguladora / de válvula suministrada.
La instalación de la parrilla debe cumplir con las disposiciones de los códigos locales, o, en su defecto, con el **National Fuel Gas Code** (o **Código nacional sobre gases combustibles**), y las normas **NFPA 54 / ANSI Z223.1** y **Natural Gas and Propane Installation Code** (**Código de la instalación del gas natural y del propano**), **CSA B149.1**. El manejo y el almacenamiento de los cilindros de gas propano se debe realizar de conformidad con el código sobre gas propano **NFPA/ANSI 58**. No se debe usar la parrilla en vehículos de recreo ni en embarcaciones.
- Todos los accesorios eléctricos (tal como el asador) deben estar conectados a tierra de conformidad con los códigos locales, o con el **National Electrical Code** (**Código nacional sobre electricidad**), **ANSI / NFPA 70**. Mantenga todo cable eléctrico o tubería de suministro de combustible alejados de las superficies calientes.
- Esta parrilla únicamente cuenta con la certificación de seguridad para ser usada en los Estados Unidos. No la modifique para usarla en ningún otro lugar. Cualquier modificación puede poner en peligro su seguridad.

IMPORTANTE: Esta parrilla es para uso exclusivo al aire libre y no está destinada a ser instalada en o sobre vehículos de recreo o embarcaciones.

NOTA PARA EL INSTALADOR: Deje este manual del usuario con el cliente después de la entrega y / o instalación.

NOTA A LOS CONSUMIDORES: Deje este manual del usuario en un lugar conveniente para futura referencia.

Los símbolos y las casillas ilustradas más adelante explican lo que cada rubro significa. Lea y siga todos los mensajes se encuentra en todo



ÍNDICE DE MATERIAS

Por su propia seguridad 35
Centro de servicio para parrillas.. 35
Información de inscripción de la garantía 35
Símbolos de seguridad 35
Medidas de seguridad para la instalación 35
Garantía para la parrilla Kenmore 37
Uso y mantenimiento 38-46
Lista de piezas 47- 48
Vista esquemática de las piezas 49
Armado 50-53
Antes De La Asamblea 62
Resolución de problemas 63-65

Contratos de protección contra los gastos de reparaciones

Felicitaciones por una sabia adquisición. Su nuevo producto Kenmore® ha sido diseñado y fabricado para ofrecerle muchos años de funcionamiento fiable. Pero, como ocurre con todo producto, es posible que sea necesario repararlo de vez en cuando. Ésa es la razón por la que el contar con un contrato de protección contra los gastos de reparaciones puede ahorrarle dinero y molestias. Adquiera ahora un contrato de protección contra los gastos de reparaciones y protéjase contra los inconvenientes y los gastos inesperados.

Su contrato de protección contra los gastos de reparaciones incluye:

- Servicio experto que ofrecen nuestros 10,000 especialistas en reparaciones.
- Servicio ilimitado sin cargo por piezas ni por mano de obra para todas las reparaciones amparadas por el contrato
- Cambio del producto, por un valor de hasta \$1500, si no se puede reparar su producto amparado por el contrato
- Descuento de un 25% del precio regular del servicio de mantenimiento y de las piezas utilizadas en el servicio de mantenimiento que no estén amparadas por el contrato; además, un descuento de un 25% del precio regular de los controles de mantenimiento preventivo
- Asistencia inmediata por teléfono: Lo llamamos Solución instantánea, es la asistencia telefónica por parte de un técnico de Sears. Imagínese que somos un "manual de propietario parlante."

Una vez que haya adquirido los servicios que le ofrece el contrato, le bastará una llamada telefónica para concertar una cita para las reparaciones. Puede llamar a cualquier hora del día o de la noche, o puede concertar una cita en línea.

El contrato de protección contra los gastos de reparaciones es una adquisición sin riesgos. Si, por alguna razón, lo cancela durante el período de garantía, le reembolsaremos todo su dinero. O, después que venza la garantía, le reembolsaremos una cantidad calculada a prorrata. Compre su contrato de protección contra los gastos de reparaciones hoy mismo!

Se aplican algunas limitaciones y exclusiones.

Pida mayor información y precios llamando al 1-800-827-6655.

Servicio de instalación de Sears

Para la instalación profesional por Sears de electrodomésticos, dispositivos para abrir puertas de cocheras, calentadores de agua, y otros artefactos para el hogar, en EE. UU., llame al 1-800-4-MY-HOME®



WARNING



PROPOSICIÓN 65 DE CALIFORNIA

1. Subproductos de la combustión producidos al usar este producto contienen sustancias químicas que el Estado de California como causantes de cáncer, defectos de nacimiento y otros daños reproductivos.
2. Este producto contiene químicos, incluyendo plomo y sus compuestos, conocidos en el estado de California como causantes de cáncer, defectos de nacimiento u otros daños reproductivos.

Lávese las manos después de manipular este producto.

Garantía completa de un año para la parrilla Kenmore

Con el comprobante de venta, venta, la siguiente cobertura de la garantía se aplica cuando este aparato está correctamente instalado, operado y mantenido según todos suministrados instrucciones. Para organizar en casa el servicio de garantía,

Llame a 1-800-4-my-home ® (1-800-469-4663)

Durante dos años a partir de la fecha de venta de este aparato está garantizado contra defectos en materiales o mano de obra. Un aparato defectuoso recibirán gratis la reparación o sustitución, a opción del vendedor.

Para los periodos de tiempo a partir de la fecha de venta que figuran a continuación, el llamado parte será reemplazado de forma gratuita si se oxida o quema. Después del segundo año a partir de la fecha de venta que son responsables por el costo de la mano de obra

Parte de la instalación.

Dos años, difusores de calor Tres años - quince años - Quemadores parrilla de cocción

Veinticinco años – Firebox flancos o tapa de aluminio fundido con revestimiento de porcelana sudario

Toda la cobertura de la garantía no incluye baterías y arrancador parrilla parte pintura perdida, decoloración o superficie la oxidación, que son piezas de desgaste que puede usar fuera del uso normal dentro del periodo de garantía, o son condiciones que pueden ser el resultado de un uso normal, accidente o mantenimiento inadecuado.

Toda la cobertura de la garantía se aplica es nulo si este aparato es utilizado para otros fines que el hogar privado

Esta garantía cubre solo defectos en material y mano de obra, y no va a pagar:

1. Los bienes fungibles que puede usar fuera del uso normal dentro del periodo de garantía, incluyendo pero no limitado a las pilas, tornillo en la base de las bombillas y recubrimientos de superficies o acabados.
2. Un técnico de servicio para limpiar o mantener este aparato, o instruir al usuario en cierto aparato de instalación, operación y mantenimiento.
3. Las llamadas de servicio para la correcta instalación de aparatos no se realiza por Sears agentes de servicio autorizados, o para reparar problemas en casa, fusibles, interruptores, cableado, sistemas de suministro de gas y fontanería o resultante de dicha instalación.
4. Daño o fracaso de este aparato resultantes de la instalación no se realiza por Sears agentes de servicio autorizados, incluyendo la instalación que no estaba de acuerdo con la electricidad, el gas o los códigos de plomería.
5. Daño o fracaso de este aparato, incluyendo la decoloración o de óxido superficial, si no es correctamente gestionado y mantenido según todos suministrados instrucciones.
6. Daño o fracaso de este aparato, incluyendo la decoloración o de óxido superficial, como resultado de accidente, abuso, mal uso, alteración, o utilizar para otras que su propósito.
7. Daño o fracaso de este aparato, incluyendo la decoloración o Surface Rust, causado por el uso de detergentes, limpiadores, productos químicos o los utensilios distintos de los recomendados en todas las instrucciones suministradas con el producto.
8. Daño o fracaso de este aparato resultantes de catástrofes naturales o de otros, tales como inundación, incendio o tormenta.
9. Daño o falta de piezas o sistemas como resultado de modificaciones no autorizadas a este aparato.
10. Servicio a un aparato si el modelo y la placa de serie está desaparecido, alterado, o no puede determinarse fácilmente a tener la certificación adecuada de logo.

Exclusión de garantías implícitas :

limitación de recursos El cliente es el único y exclusivo remedio bajo esta garantía limitada será producto de reparación o sustitución previstos en el presente. LAS GARANTÍAS IMPLÍCITAS, incluyendo las GARANTÍAS DE COMERCIALIZACIÓN o aptitud para un propósito en particular, están limitados a dos años sobre el aparato, cinco años en difusores de calor, quince años en quemadores, y veinticinco años en los laterales, tapa sudario y rejillas, o el menor periodo permitido por la ley. El vendedor no será responsable por daños incidentales o consecuentes. Algunos Estados y provincias no permiten la exclusión o limitación de daños incidentales o consecuentes, o la limitación de la duración de las garantías implícitas de comerciabilidad o aptitud, por lo que estas exclusiones o limitaciones pueden no aplicarse a usted.

Esta garantía solo se aplica mientras este aparato es utilizado en los Estados Unidos.

Esta garantía te da derechos legales específicos, y usted también puede tener otros derechos que varían de Estado a estado.

Sears Brands Management Corporation, Hoffman Estates, IL 60179

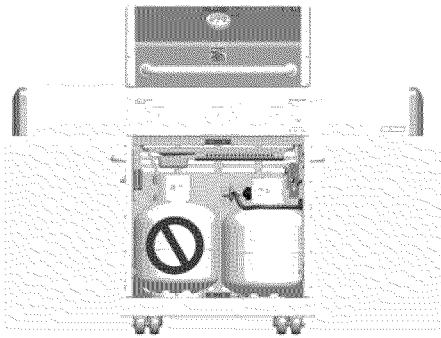
USO Y MANTENIMIENTO



PELIGRO



- **NUNCA** guarde los cilindros de gas de repuesto debajo del aparato, cerca del mismo, ni en áreas cerradas.



Nunca cargue el tanque con más del 80% de su capacidad.

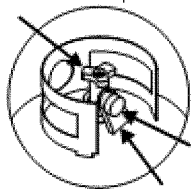
- Los tanques de gas propano de repuesto sobrecargados o mal llenados son peligrosos, ya que la válvula de seguridad puede dejar salir gas.

Esto puede provocar incendios intensos que pueden causar daños materiales, lesiones graves o la muerte.

- Si observa, huele o escucha una fuga de gas, aléjese de inmediato del cilindro y del aparato, y llame a los bomberos.

Remoción, transporte y almacenamiento del tanque de gas propano

- **CIERRE** todas las perillas de control y la válvula del tanque. Gire la tuerca de unión en sentido contrario a las agujas del reloj, a mano solamente; no use herramientas para desconectarla. Afloje el tornillo del tanque que se encuentra por debajo de el estante inferior, y luego levante el tanque y sáquelo del carro. Instale la tapa de seguridad en la válvula del tanque de gas.

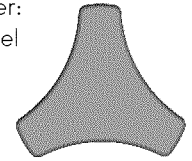


Tapa de seguridad
Tira de sujeción

- Use siempre la tapa y la tira que vienen con la válvula. Los otros tipos de cofias o tapones pueden dejar escapar el gas propano. Si la tapa de seguridad no se usa tal como se indica, esto puede ocasionar lesiones o daños materiales graves.
- No guarde el tanque de gas en lugares donde jueguen los niños.

Tanque de gas propano

- El tanque de gas que use con su parrilla debe cumplir los siguientes requisitos:
- Use únicamente tanques de gas que tengan las siguientes medidas obligatorias: 12" (30.5 cm) (diámetro) x 18" (45.7 cm) (altura), con una capacidad máxima de 20 lb. (9 kg).
- Debe estar fabricados y codificados según las especificaciones del Departamento de Transporte de los Estados Unidos (DOT), para tanques de gas propano. El código se encuentra en el collarín del tanque de gas.
- La válvula del tanque de gas debe tener:
 - Una salida de tipo 1, compatible con el regulador o la parrilla.
 - Una válvula de paso de seguridad.
 - Un dispositivo de seguridad volumétrica (OPD por sus siglas en inglés) certificado por UL. Esta característica de seguridad OPD se identifica mediante una manilla de forma triangular. Use únicamente tanques equipados con válvulas de este tipo.
- El tanque de gas debe tener un dispositivo de extracción del vapor y venir con un collarín para proteger su válvula. Siempre mantenga los tanques de gas en posición vertical durante su uso, su transporte o su almacenamiento.



Manilla del dispositivo de seguridad volumétrica



Tanque de gas en posición vertical para extraer el vapor

El gas propano (GLP)

- Es atóxico, inodoro e incoloro en el momento en que se produce. Por su propia seguridad, al gas propano se le ha incorporado un olor (parecido al de la col podrida), de modo que se pueda oler.
- El gas propano es sumamente inflamable y se puede encender en forma inesperada al mezclarse con el aire.

Carga de los tanques de gas propano

- Recorra solamente a vendedores autorizados y con experiencia.
- El vendedor de gas debe purgar el tanque nuevo antes de cargarlo.
- El vendedor no debe cargar **NUNCA** el tanque de gas con más del 80% de su volumen. El volumen de gas propano en el tanque puede variar con la temperatura.
- Si el regulador está empañado, eso indica que el tanque está sobrecargado. Cierre de inmediato la válvula del tanque y solicite ayuda del vendedor de gas propano.
- No deje escapar gas propano a la atmósfera. Ésta es una práctica peligrosa.
- Solicite ayuda del vendedor de propano o de los bomberos, para vaciar el gas de su tanque. Identifique a los vendedores autorizados de propano de su región en la sección de "compañías de gas" de la guía telefónica.

Cambio del tanque de gas

- Muchos comerciantes minoristas que venden parrillas, le ofrecen la opción de cambiar su tanque de gas vacío mediante un servicio de recambio. Emplee únicamente empresas de recambio de buena reputación, que inspeccionen, carguen con precisión, verifiquen y certifiquen sus cilindros. **Cambie su tanque sólo por otros tanques equipados con el dispositivo de seguridad volumétrica que se describe en la sección de *Tanques de gas* de este manual.**
- Siempre mantenga los tanques de gas, nuevos y de repuesto, en posición vertical durante su uso, su transporte o su almacenamiento.
- Verifique que los tanques de gas, nuevos o de recambio, no tengan fugas ANTES de conectarlos a la parrilla.

Prueba para detectar fugas del tanque de gas propano

- Se debe efectuar la prueba para detectar fugas cada vez que se cambie o se recargue el tanque.
- No fume durante la prueba para detectar fugas.
- No use una llama al descubierto para comprobar si el tanque tiene fugas.
- La prueba para detectar fugas de la parrilla se debe efectuar al aire libre, en un área bien ventilada, alejada de toda fuente de ignición tal como los artefactos a gas o eléctricos. Durante la prueba para detectar fugas, mantenga la parrilla alejada de las llamas al descubierto o de las chispas.
- Use una brocha de pintura limpia y una solución de 50/50 de agua y jabón suave. Pinte con la solución jabonosa las áreas indicadas por las flechas en la ilustración que sigue.

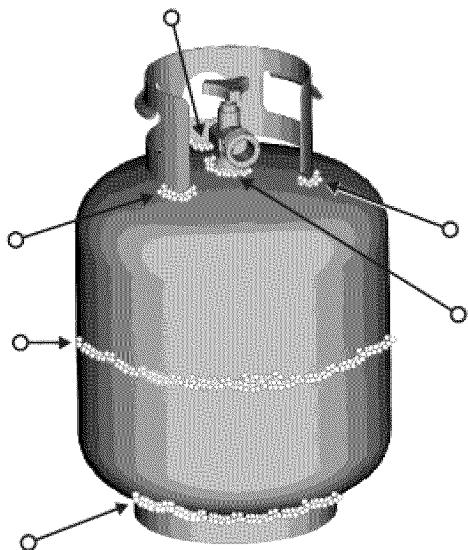


ADVERTENCIA



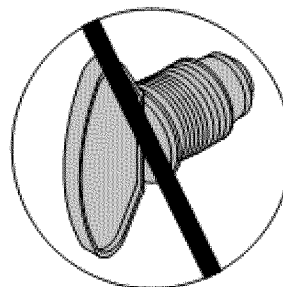
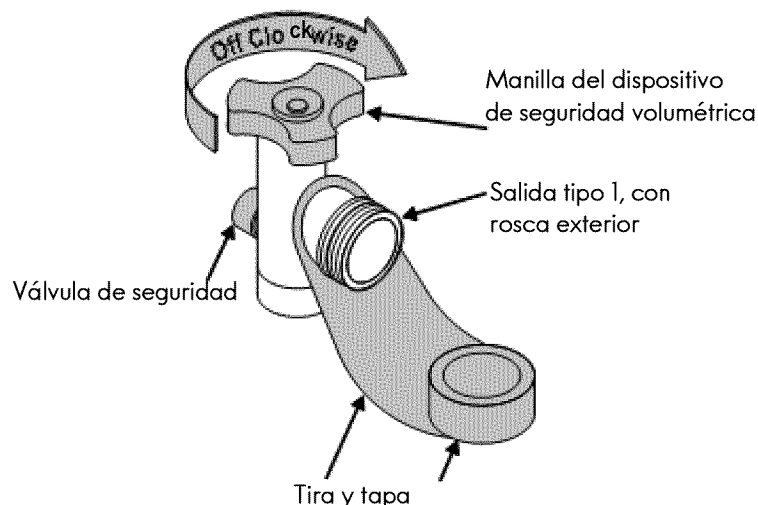
Si aparecen burbujas que aumentan de tamaño, no use ni mueva el tanque de gas. ¡Comuníquese con el proveedor de gas propano o con los bomberos!

- ▲ No use productos de limpieza del hogar. Esto puede dañar los componentes del circuito de gas.



Como conectar el regulador al tanque de gas propano

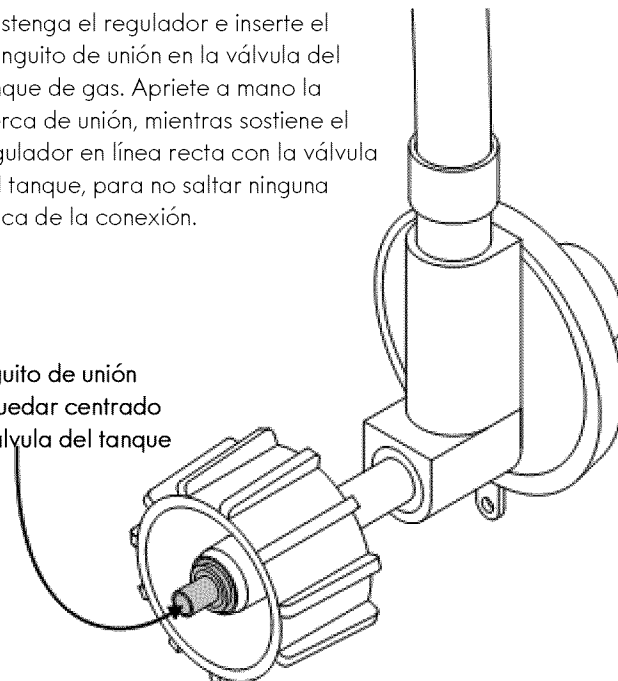
1. El tanque de gas debe quedar bien fijado a la parrilla. (Lea la sección de ensamblado.)
2. Gire todas las perillas de control a la posición APAGADO (OFF).
3. CIERRE el tanque de gas, girando la manilla de la válvula en el sentido de las agujas del reloj, hasta que se detenga por completo.
4. Retire la tapa protectora de la válvula del tanque de gas. Use siempre la tapa y la tira que vienen con la válvula.

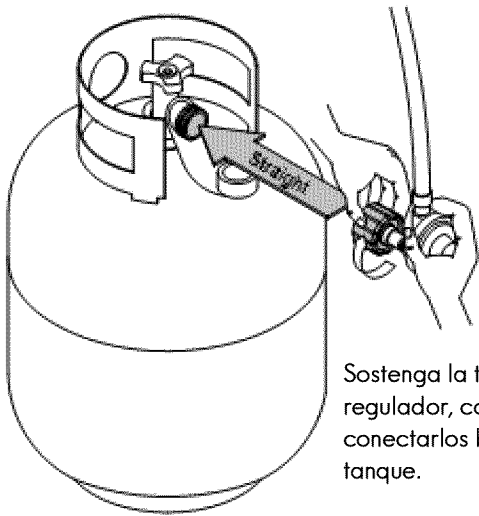


No use un tapón POL para transporte (la pieza de plástico con rosca en el exterior). Anulará la característica de seguridad de la válvula.

5. Sostenga el regulador e inserte el manguito de unión en la válvula del tanque de gas. Apriete a mano la tuerca de unión, mientras sostiene el regulador en línea recta con la válvula del tanque, para no saltar ninguna rosca de la conexión.

El manguito de unión debe quedar centrado en la válvula del tanque de gas.





Sostenga la tuerca de unión y el regulador, como se ilustra, para conectarlos bien a la válvula del tanque.

6. Gire la tuerca de unión en el sentido de las agujas del reloj, apretándola hasta que no se mueva más. El regulador formará un sello en el dispositivo de seguridad de la válvula del tanque, lo que creará cierta resistencia. **Se deberá hacer girar la tuerca entre un cuarto y tres cuartos de vuelta adicionales, para completar la conexión. Apriétela a mano únicamente -- no use herramientas.**

NOTA:

Si no puede completar la conexión, desconecte el regulador y repita los pasos 5 y 6. Si a pesar de haberlo hecho, todavía no puede completar la conexión, **¡no use este regulador!** Llame al 1-800-4-MY-HOME® para una pieza de repuesto idénticas.

PELIGRO

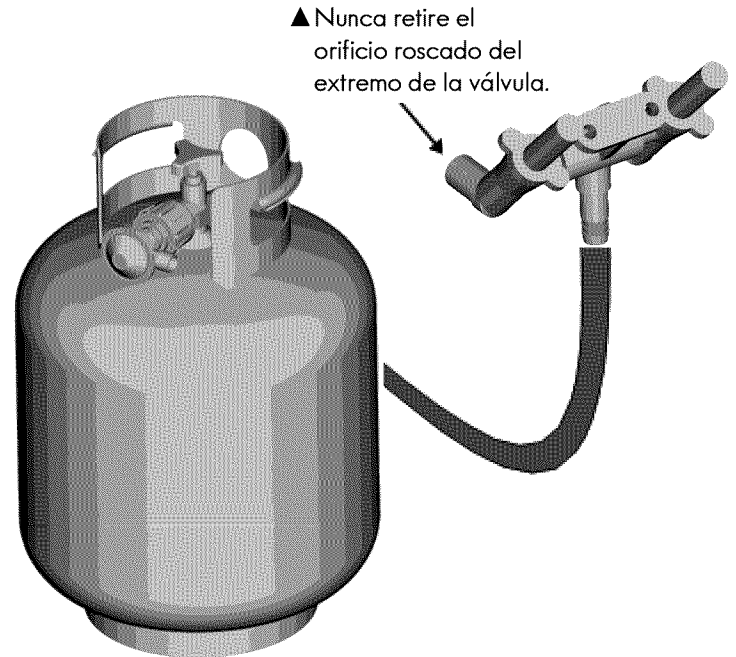
No introduzca ninguna herramienta ni ningún objeto extraño en la salida de la válvula ni en la válvula de seguridad. Puede dañarla y causar una fuga. Las fugas de gas propano pueden causar explosiones, incendios, lesiones graves o la muerte.

ADVERTENCIA

- El aparato a gas para uso al aire libre no ha sido diseñado para ser instalado en embarcaciones.
- El aparato a gas para uso al aire libre no ha sido diseñado para ser instalado en vehículos de recreo.
- Nunca trate de conectar esta parrilla al sistema de gas propano independiente de un remolque de recreo o de una casa rodante.
- No use la parrilla sin antes haber verificado que no tenga fugas.
- En caso de detectar una fuga en cualquier momento, DETÉNGASE y llame a los bomberos.
- Si no puede detener una fuga de gas, ¡cierre de inmediato la válvula del tanque de gas y llame al distribuidor o a los bomberos!

Prueba para detectar fugas de las válvulas, las mangueras y el regulador

1. Gire todas las perillas de control de la parrilla a la posición de APAGADO.
2. Cerciórese de que el regulador esté bien conectado al tanque de gas.
3. Abra por completo la válvula del tanque, girando la manilla en sentido contrario a las agujas del reloj. Si escucha un *sonido de ráfaga*, cierre de inmediato el paso de gas. La conexión tiene una fuga considerable. **Corrija esta situación antes de continuar.**
4. Aplique solución jabonosa con la brocha, en las áreas marcadas con un círculo en la ilustración que sigue.

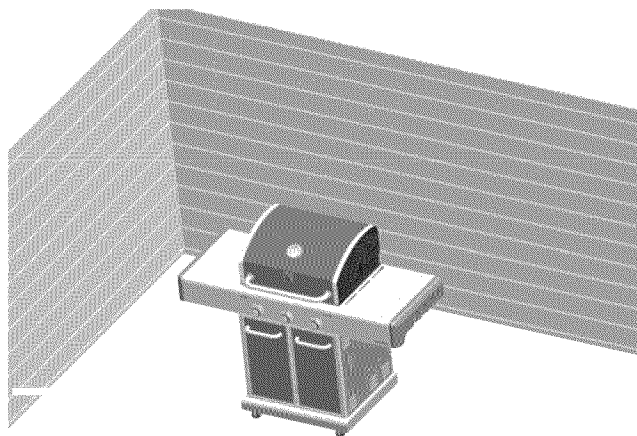


5. Si aparecen burbujas **que aumentan de tamaño**, existe una fuga. Cierre de inmediato la válvula del tanque de gas y vuelva a apretar las conexiones. **Si no puede eliminar las fugas, no intente repararlas.** Solicite una pieza de repuesto. Encargue las piezas nuevas indicando el número de serie, de modelo y el nombre de las piezas que requiera (vea la lista de piezas), llamando al centro de servicio para parrillas al 1-800-4-MY-HOME®.
6. Después de hacer una prueba para detectar fugas, cierre siempre la válvula del tanque de gas, girando la manilla en el sentido de las agujas del reloj.

ADVERTENCIA

Para usar su parrilla en forma segura y para evitar lesiones graves:

- No deje que los niños usen la parrilla ni que jueguen cerca de la misma.
- Mantenga el área de la parrilla limpia y sin materiales combustibles.
- No obstruya los agujeros laterales ni los de la parte posterior de la parrilla.
- Revise periódicamente las llamas del quemador.
- Use la parrilla sólo en lugares bien ventilados. **NUNCA** la use en lugares cerrados tales como cocheras, garajes, porches, patios techados o debajo de superficies de ningún tipo.
- No use carbón ni briquetas de cerámica en una parrilla a gas. *(Salvo que las briquetas vengan con su parrilla.)*
- Use la parrilla al menos a 3 pies de distancia de cualquier pared o superficie. Deje un espacio de 10 pies entre la parrilla y los objetos que puedan incendiarse o que sean fuentes de ignición, tal como las llamas de encendido de calentadores de agua, electrodomésticos conectados, etc.



- **Para personas que viven en apartamentos:**
Pídale al administrador que le indique los requisitos y los códigos contra incendios que corresponden al uso de parrillas de gas propano en un edificio de apartamentos. Si se le permite usarla, hágalo al aire libre, en la planta baja, dejando un espacio libre de tres (3) pies entre la parrilla y las paredes o las barandillas. No la use en balcones o debajo de los mismos.
- **NUNCA** trate de encender el quemador con la tapa cerrada. Las acumulaciones de gas no encendido en las parrillas tapadas son peligrosas.
- Nunca use la parrilla si el tanque de gas no está en la posición correcta que se especifica en las instrucciones de ensamblado.
- Siempre cierre la válvula del tanque de gas y retire la tuerca de unión antes de mover el tanque del sitio específico de uso.


Consejos de seguridad

- ▲ Verifique que la tuerca de unión esté bien apretada antes de abrir la válvula del tanque de gas.
- ▲ Cuando no use la parrilla, cierre todas las perillas de control y la válvula del tanque de gas.
- ▲ Si la aplicación al aire libre del gas que cocina no es adentro uso, el gas se debe dar vuelta apagado en el cilindro de la fuente. El almacenaje de una aplicación al aire libre del gas que cocina dentro es permitido solamente si el cilindro se desconecta y se quita de la aplicación.
- ▲ Nunca mueva la parrilla cuando la esté usando o mientras esté caliente.
- ▲ Use utensilios para parrilla de mango largo y guantes para hornear, para evitar quemaduras y salpicaduras.
- ▲ El peso máximo que soportan los estantes laterales es 10 lb.
- ▲ La lata para la grasa **debe** estar colocada en su presilla, y se debe vaciar cada vez, después de usarla. No retire la lata para la grasa hasta que la parrilla se haya enfriado por completo.
- ▲ Limpie la parrilla con frecuencia; de preferencia cada vez después de usarla. Si utiliza un cepillo de cerdas para limpiar las superficies para cocinar, antes de usar la parrilla verifique que no queden cerdas sueltas sobre éstas. Se recomienda no limpiar las superficies para cocinar cuando la parrilla esté aún caliente.
- ▲ Si observa que de la parrilla caen gotas de grasa u otras sustancias calientes a la válvula, la manguera o el regulador, cierre inmediatamente el paso de gas. Establezca la causa, corrija el problema, limpie e inspeccione la válvula, la manguera y el regulador, antes de proseguir. Haga una prueba para detectar fugas.
- ▲ El regulador puede emitir un sonido zumbante o sibilante durante su uso. Esto no afectará la seguridad ni el uso de la parrilla.
- ▲ Utilice solamente el regulador de presión y el montaje de manguera provistos de esta parrilla. El regulador de presión del reemplazo y los montajes de manguera deben ser especificados o provisto cerca.
- ▲ Si tiene un problema con la parrilla, lea la sección de *Resolución de problemas*.
- ▲ Si el regulador se congela, apague inmediatamente la parrilla y cierre la válvula del tanque de gas. Esto indica que existe un problema con el tanque y no debe ser usado en otro producto. ¡Devuélvalo al proveedor!

CAUTION

- No es posible apagar los fuegos provocados por la grasa cerrando la tapa. Por razones de seguridad, las parrillas tienen aberturas de ventilación.
- No use agua para apagar los fuegos provocados por la grasa. Esto puede ocasionar lesiones. Si surge un fuego provocado por la grasa, cierre las perillas y el tanque de gas.
- No deje desatendida la parrilla cuando la esté precalentando o usando la alta temperatura para quemar los residuos de comida. Si no se ha limpiado, periódicamente la parrilla, se puede presentar un fuego provocado por la grasa, que puede dañar al producto.



Instrucciones de encendido de ignición electrónica

1. Abra la tapa durante la iluminación.
2. Válvula de gas Abra el tanque.
3. Empuje y gire cualquier perilla de control principal a  Hi Mantenga pulg Usted escuchará un sonido de clic del electrodo de todos los quemadores.
4. Si encendido no se enciende en 5 segundos, gire la perilla de control del quemador, espere 5 minutos y repita el procedimiento de encendido.
5. Para encender cualquier quemador principal, repita el paso 3.

Si el encendedor no funciona, siga las instrucciones del encendido con fósforos.

 **ADVERTENCIA** 

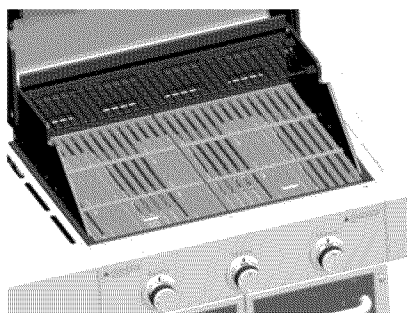
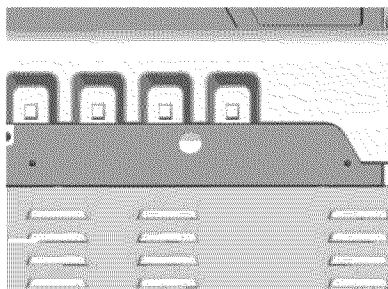
Gire los controles y la fuente de gas o OFF tanque cuando no esté en uso.

 **CAUTION** 

Si **NO** se enciende en 5 segundos, gire los controles del quemador a la posición de APAGADO (OFF), espere 5 minutos y repita el proceso de encendido. Si el quemador no se enciende con la válvula abierta, el gas continuará saliendo por el mismo y puede encenderse accidentalmente, con el riesgo de ocasionar lesiones.

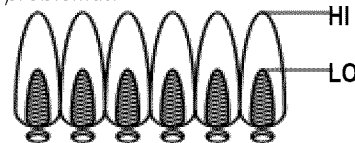
Coincidir con iluminación

- ▲ No se incline sobre la parrilla mientras lo enciende.
- 1. Abra la tapa durante la iluminación.
- 2. Partido puesto en pelea titular (suspensión de derecha atrás pata). Luz coinciden, coloque en el orificio de la iluminación en el lado izquierdo de la cámara de combustión.
- 3. Oprima y gire la perilla de control del quemador lateral a la graduación de llama ➤ ALTA.t.
- 4. Luz otros quemadores siguen con el paso 3.



Control de la llama del quemador

- Retire las parrillas de cocción y los reguladores de llama. Encienda los quemadores y gire las perillas, de la graduación ALTA (HI) a la graduación BAJA (LO). Deberá ver una llama más reducida en la graduación baja que en la graduación alta. Controle siempre las llamas antes de cada uso. Si sólo se observan llamas bajas, lea lo referente a la *Caída repentina de las llamas o llamas bajas* en la sección de *Resolución de problemas*.



Como apagar la parrilla

- Gire todas las perillas de control a la posición de APAGADO (OFF).

Control del encendedor

- Cierre el paso de gas desde el tanque. Presione el botón del encendedor rápidamente. Deberá oír un chasquido y ver chispas cada vez, entre la caja de recolección o el quemador y el electrodo. En caso de no oír chasquidos ni ver chispas, lea la sección de *Resolución de problemas*.

Control de la válvula

- **Importante:** Cerciórese de haber cerrado el paso de gas desde el tanque antes de revisar las válvulas. Las perillas se traban al llegar a la posición de APAGADO (OFF). Para revisar las válvulas, primero presione las perillas y luego suéltelas; las perillas deben regresar a su posición original. De lo contrario, cambie la unidad de la válvula antes de usar la parrilla. Gire las perillas a la graduación BAJA y luego regréselas a la posición de APAGADO. Las válvulas deben girar suavemente.

Control de la manguera

- Antes de cada uso, verifique que las mangueras no tengan cortes ni estén desgastadas. Cambie las mangueras dañadas antes de usar la parrilla. Use sólo la válvula / la manguera / el regulador especificado por el fabricante.

Limpieza general de la parrilla

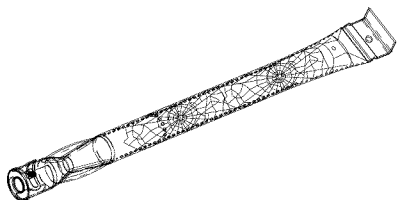
- No confunda la acumulación de grasa y de humo, de color marrón o negro, con la pintura. La parte interna de las parrillas a gas no viene pintada de fábrica (**y no se debe pintar nunca**). Aplique una solución concentrada de detergente y de agua, o use un limpiador para parrillas con un cepillo de cerdas resistentes, cepillando la parte interna de la tapa de la parrilla y el fondo de la misma. Enjuáguelos y deje que se sequen completamente al aire. **No aplique limpiadores cáusticos para parrillas / limpiadores de hornos a las superficies pintadas.**
- **Piezas plásticas:** Lávelas con agua jabonosa tibia y séquelas con un paño.
- **Superficies de porcelana:** Debido a su composición vítrea, la mayoría de los residuos se puede eliminar con un paño empapado en una solución de bicarbonato de soda y agua, o con un limpiador especialmente formulado. Use un polvo limpiador no abrasivo para las manchas difíciles de eliminar.
- **Superficies pintadas:** Lávelas con un detergente suave o un limpiador no abrasivo y agua tibia jabonosa. Séquelas con un paño suave, no abrasivo.
- **Superficies para cocinar:** Si utiliza un cepillo de cerdas para limpiar las superficies para cocinar, antes de usar la parrilla verifique que no queden cerdas sueltas sobre éstas. Se recomienda no limpiar las superficies para cocinar cuando la parrilla esté aún caliente.



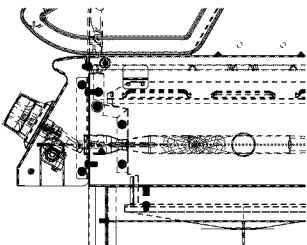
CAUTION

¡ALERTA CONTRA

IMPORTANT: Asegúrese siempre de que los tubos venturi estén limpios. Un tubo de venturi del quemador tiene un área estrecha en la que las arañas tienden a construir nidos.



Si usted nota que le es más difícil encender la parrilla o que la llama es más débil de lo normal, examine y limpie los tubos venturi's.



Las arañas y los insectos pequeños han producido "fogonazos". Las arañas tejen sus telas, hacen sus nidos y ponen sus huevos en los tubos Venturi de las parrillas, que obstruyen el paso del gas al quemador. El gas que se acumula dentro de los tubos Venturi, ubicados en la parte posterior del tablero de control, se puede encender. A esto se le llama "fogonazo", y puede dañar su parrilla e, incluso, puede producir lesiones.

Para evitar los fogonazos y garantizar el buen funcionamiento, retire la unidad del quemador y del tubo Venturi y límpielos antes de usar la parrilla, si no la ha usado durante un tiempo prolongado.

Cómo guardar su parrilla

- Limpie las parrillas de cocción.
- Guárdela en un lugar seco.
- Cuando el tanque de gas esté conectado a la parrilla, guárdela al aire libre, en un lugar bien ventilado y fuera del alcance de los niños.
- Cubra la parrilla si la guarda al aire libre. El fabricante tiene a su disposición una variedad de cubiertas para parrillas.
- SOLO guarde la parrilla bajo techo si se ha cerrado el paso y desconectado el tanque de gas, retirándolo de la parrilla y guardándolo al aire libre.
- Siga las instrucciones sobre *Cómo limpiar la unidad del quemador* antes de encender la parrilla, cuando la misma haya estado guardada.

Cómo limpiar la unidad del quemador

Siga estas instrucciones para limpiar o cambiar piezas de la unidad del quemador, o si tiene problemas para encender la parrilla.

1. Cierre el paso de gas en las perillas de control y desde el tanque de gas.
2. Retire las parrillas de cocción y Termodisipador.
3. Extraiga el pasador de la parte posterior de los quemadores.
4. Levante y retire cuidadosamente cada quemador de las aberturas de la válvula.

Sugerimos tres maneras de limpiar los tubos del quemador. Siga la que le sea más fácil.

- (A) Doble un alambre rígido (un gancho de alambre para ropa sirve bien) para formar un gancho pequeño. Pase varias veces el gancho a través del tubo de cada quemador.

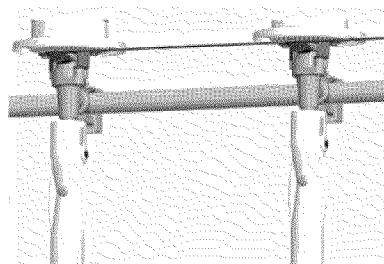


- (B) Use un cepillo delgado de botella, de mango flexible (no use un cepillo de alambre de latón), páselo varias veces a través del tubo de cada quemador.

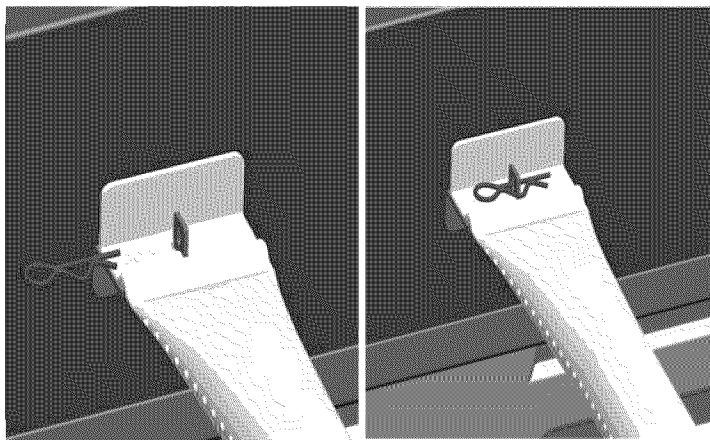
- (C) Use protectores para la vista: Con una manguera neumática, fuerce el paso del aire a través del tubo y de los puertos del

5. Limpie con un cepillo de alambre la superficie exterior del quemador para eliminar los residuos de comida y la suciedad.
6. Limpie todo puerto que esté atascado con un alambre rígido, tal como un sujetapapeles.
7. Examine el quemador para detectar daños, debido al desgaste normal y corrosión algunos orificios pueden alargarse. Si se encuentran grietas o agujeros grandes, cambie el quemador.

MUY IMPORTANTE: Los tubos del quemador se deben volver a conectar en las aberturas de la válvula. Vea las ilustraciones a la derecha.

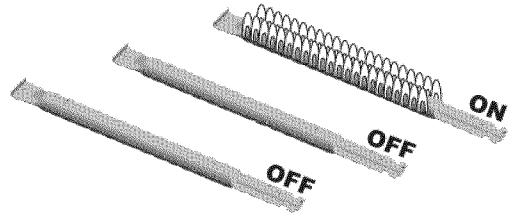


8. Vuelva a colocar cuidadosamente los quemadores.
9. Fije los quemadores a los soportes con cierre de seguridad.
10. Vuelva a colocar los difusores de calor y las rejillas de cocción.



Cocción indirecta

Las aves y los cortes grandes de carne se cocinan lentamente a la perfección en la parrilla por calor indirecto. El calor de los quemadores elegidos circula suavemente por la parrilla, cocinando la carne y las aves sin contacto directo con la llama. Este método disminuye considerablemente los fognazos al cocer cortes de carne con mucha grasa, debido a que no hay llama directa que incendie la grasa y los jugos durante la cocción. during cooking.

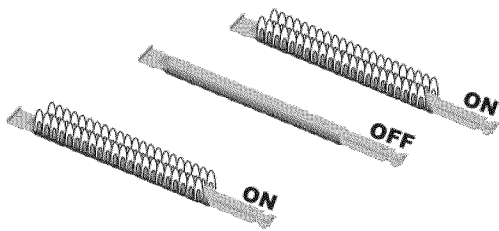


Cocine con calor directo o indirecto.

Es lo mejor para porciones pequeñas de comida o alimento.
 Consume menos combustible.

Instrucciones para la cocción indirecta

- Siempre cocine con la tapa cerrada.
- Debido a las condiciones del clima, el tiempo de cocción puede variar. En tiempo frío y ventoso, es posible que sea necesario elevar la graduación de la temperatura para garantizar una suficiente temperatura de cocción.



Cocción con 2 quemadores

Excelente cocción con calor indirecto en graduación baja.
 Produce calentamiento lento y uniforme.
 Ideal para asar y hornear lentamente.

Seguridad con los alimentos

La seguridad con los alimentos es una parte muy importante del disfrute de su parrillada al aire libre. Siga estos cuatro pasos básicos para proteger a los alimentos contra las bacterias nocivas:

Limpieza: Lávese las manos, lave los utensilios y las superficies con agua jabonosa caliente, antes y después de manipular carnes y aves crudas.

Separación: Mantenga las carnes y las piezas de aves crudas separadas de los alimentos listos para comer, para evitar la contaminación cruzada. Use bandejas y utensilios limpios para servir los alimentos preparados.

Cocción: Cocine bien las carnes y las piezas de ave, para matar las bacterias. Use un termómetro para verificar que los alimentos alcancen la temperatura interna adecuada.

Refrigeración: Refrigere con prontitud los alimentos preparados y las sobras.

Para mayor información llame a: la línea de información sobre carnes y aves del Ministerio de Agricultura de EE UU, 1-800-535-4555. En Washington, D.C. por el (202) 720-3333, entre las 10.00 y las 16.00 horas, hora normal del Este. EST.

Cómo saber cuándo las carnes están bien cocidas

- El exterior de las carnes y las piezas de ave preparadas a la parrilla a menudo se dora rápidamente. Use un termómetro para carnes, para verificar que los alimentos alcancen una temperatura interna segura, y corte la carne para verificar visualmente si ya está lista.
- La temperatura de las aves enteras debe alcanzar 180° F; las pechugas, 170° F. El jugo de las mismas debe ser transparente y la carne no debe tener color rosado.
- La temperatura de las hamburguesas hechas con carne molida de res o de ave, debe alcanzar 160° F, y el color de su centro debe ser marrón, sin jugos de color rosado. Los filetes, asados y chuletas de res, de ternera y de cordero se pueden asar a 145° F. La temperatura de todos los cortes de cerdo debe alcanzar 160° F.
- NUNCA cocine parcialmente las piezas de carne o de aves, para terminar de cocinarlas después. Cocine los alimentos completamente, para destruir las bacterias nocivas.
- Cuando recaliente los alimentos de comida rápida o las carnes ya cocidas por completo, áselos a 165° F, o hasta que humeen.

ADVERTENCIA: Para asegurarse que la comida se pueda comer sin peligro, debe cocinarse a las temperaturas internas mínimas señaladas en la tabla siguiente:

USDA* Temperaturas internas mínimas de cocción	
Carne de res, ternera, cordero y cerdo –Corta todo **	145° F
Pescado	145° F
Carne de res, ternera, cordero y cerdo– Carne	160° F
Platos a base de huevos	160° F
Pavo, pollo y pato - piezas enteras, y de tierra	165° F

* Departamento de Agricultura de Estados Unidos

** Permitir que la carne de un descanso de tres minutos antes de cortarlo o consumir.

Gas Natural Kit de conversión

Para comprar piezas para conversión a gas natural llamar a Sears al 1-800-4-MY-HOME®

El gas natural kit de conversión

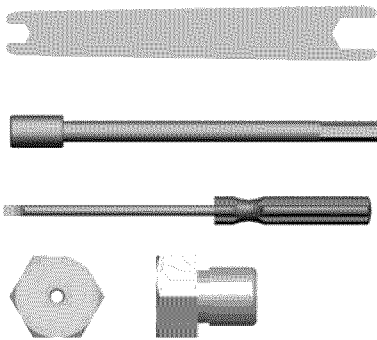
Fabricante: 30800339

Su parrilla se puede convertir en gas natural con este

Kit de conversión de gas por un técnico cualificado para ello. en orden

para convertir esta parrilla al técnico necesitará esta

Kit de conversión.



12 El gas natural "manguera

Si la conversión de la parrilla a gas natural, el técnico en

la mayoría de los casos, tendrá esta manguera de 12 'extensión de 1/2 "ID

(diámetro interior), que está incluido en el gas natural

Kit de conversión.



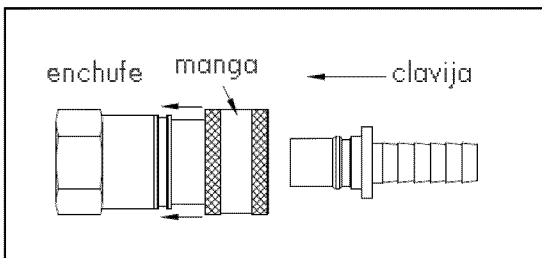
Para la conexión de Gas Natural

Preparación:

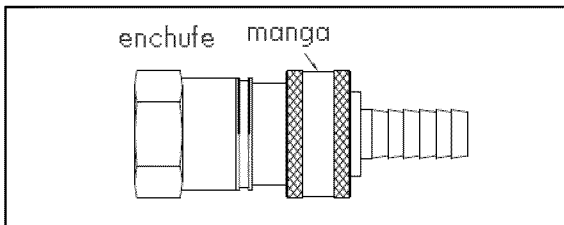
1. Cierre el suministro de gas y quite la tapa del gas Lado de la oferta.
2. Recomendado: Instale una válvula de cierre en del lado de gas de alimentación antes de instalar el zócalo.
3. Socket debe ser instalado por un distribuidor autorizado técnico de conformidad con el gas combustible nacional código (NFPA 54/ANSI223.1)
4. Antes de introducir el enchufe, encienda el suministro de gas y fugas probar todas las conexiones, incluyendo el vástago de la válvula de cierre válvula y la abertura de la toma de corriente. Para obtener los mejores resultados, usar y libre de amoniaco y jabón disuelto en agua.

Instrucciones de uso:

1. Para conectar, empuje hacia atrás la manga casquillo.



2. Inserte el enchufe y el manguito de liberación.
3. Empuje el enchufe hasta el manga de encaje hacia adelante.
(Gas fluirá de forma automática. Si no se conecta correctamente el enchufe a la toma inhibirá el flujo de gas al aparato.)



Para desconectar

1. Tire de la manga de nuevo. Saque el enchufe hembra de salida. (Gas es se apagará automáticamente.)
2. Cierre la válvula de cierre y vuelva a colocar las tapas de polvo en el conector y enchufe.

Gas LP

Si su parrilla es para gas LP, el regulador suministrado está ajustado para un 11-in. Columna de agua (WC) y es para uso con gas LP solamente. El suministrado por la fábrica regulador y la manguera debe ser utilizado con un 20-lb. LP del tanque de gas.

Gas Natural

Si su parrilla es para Gas Natural, se establece para un 7-in. columna de agua (WC) y es para uso con gas natural. La presión del gas se ve afectada por el tamaño de la línea de gas y la longitud de la línea de gas ejecutar desde la línea de gas de la casa. Siga las recomendaciones de la siguiente tabla.

De la casa al Grill	
distancia	Tamaño de la tubería
Up to 25 ft.	3/8 pulgadas de diámetro
26 – 50 ft.	1/2 pulgadas de diámetro
51 – 100 ft.	2/3 de la carrera: 3/4 pulgadas de diámetro 1/3 de la carrera: 1/2 pulgadas de diámetro
Over 101 ft.	3/4 pulgadas de diámetro

LISTA DE PIEZAS

Clave	Descripción	Cant	Pieza No.	Clave	Descripción	Cant	Pieza No.
1	Tapa de extremo,del lado derechodel estante	1	30800206	26-2	Panel Lateral Derecho(Espresso)	1	30800051AM
2	EstanteLateral Derecho	1	30800041	26-3	Panel Lateral Derecho (Acero inoxidable)	1	30800051AS
3	Fascia, RightSideShelf	1	30800044	26-4	Panel Lateral Derecho (Carbono gris metálico)	1	30800051AB
4	Estante lateral Badge	1	30800235	26-5	Panel Lateral Derecho (Rojo Bermellón)	1	30800051AR
5	Panel de control	1	30800024A	26-6	Panel Lateral Derecho (Verde)	1	30800051AG
6	Línea de controlde impulsos	1	30800243	26-7	Panel Lateral Derecho (Azul metálico)	1	30800051AL
7	Cable de tierra de pulso	1	30800244	27	GreaseCaja	1	30800082A
8	La válvula de gas,quemador principal	3	30800212A	28	TankDeflector	2	30800099
9	colector	1	30800028A	29	tirador	2	30800068
10	Manguera de gas	1	30800217	30	Titular del partido	1	40800128
11	Reguladorsoporte de retención	1	30800054	31	PartidoHolderSoporte	1	40800129
12	Conector B	1	30800218	32	Cadena Ligerade Rod	1	30800234
13	regulador	1	40800115	33-1	Puerta derecha (champán)	1	30800066AC
14	ReguladorMangueraClip Hanger	1	30800226	33-2	Puerta derecha (Espresso)	1	30800066AM
15	Perilla de control del bisel	3	40900036	33-3	Puerta derecha (Acero inoxidable)	1	30800066AS
16	Perilla de control	3	30800219	33-4	Puerta derecha (Carbono gris metálico)	1	30800066AB
17	estante inferior	1	30800074A	33-5	Puerta derecha (Rojo Bermellón)	1	30800066AR
18	Imán de la caja, la puerta del brazo	1	41500059	33-6	Puerta derecha (Verde)	1	30800066AG
19	Imán de la caja, estante inferior	1	40200072	33-7	Puerta derecha (Azul metálico)	1	30800066AL
20	imán	4	40200094	34-1	Puerta izquierda (champán)	1	30800060AC
21	Caster	2	30800238	34-2	Puerta izquierda (Espresso)	1	30800060AM
22	Rueda con freno	2	30800237	34-3	Puerta izquierda (Acero inoxidable)	1	30800060AS
23	TankPosicionamientoPin	2	30800229	34-4	Puerta izquierda (Carbono gris metálico)	1	30800060AB
24	Compra Atención Ángel Bar	2	40900060	34-5	Puerta izquierda (Rojo Bermellón)	1	30800060AR
25	bisagra	4	30800236	34-6	Puerta izquierda (Verde)	1	30800060AG
26-1	Panel Lateral Derecho (champán)	1	30800051AC	34-7	Puerta izquierda (Azul metálico)	1	30800060AL

Nota: Algunas piezas parrilla, ilustradas en los pasos de armado, pueden ser ligeramente diferentes en apariencia de los de su modelo de parrilla. Sin embargo, el método de armado es el mismo

LISTA DE PIEZAS

Clave	Descripción	Cant	Pieza No.	Clave	Descripción	Cant	Pieza No.
35-1	Panel lateral izquierdo (champán)	1	30800049AC	51	BiselTemp Gauge	1	30800208
35-2	Panel lateral izquierdo (Espresso)	1	30800049AM	52	logo	1	30800209
35-3	Panel Laterallzquierdo (Acero inoxidable)	1	30800049AS	53	RotarVara, tapa	2	40800108
35-4	PanelLaterallzquierdo (Carbonogris metálico)	1	30800049AB	54	Separadores demango de la tapa	2	30800231
35-5	Panel Laterallzquierdo (Rojo Bermellón)	1	30800049AR	55	Bisel,mango de la tapa	2	30800011
35-6	Panel Laterallzquierdo (Verde)	1	30800049AG	56	Chaveta	5	110050
35-7	Panel Laterallzquierdo (Azul metálico)	1	30800049AL	57-1	Tapa (champán)	1	30800002AAC
36	Panel posterior	1	30800053	57-2	Tapa (Espresso)	1	30800002AAM
37	Tuerca hexagonal	1	30800245	57-3	Tapa (Acero inoxidable)	1	30800002AAS
38	Módulo de encendido electrónico	1	30800223	57-4	Tapa (Carbono gris metálico)	1	30800002AAB
39	Quemador principalElectrodoL870	1	30800242	57-5	Tapa (Rojo Bermellón)	1	30800002AAR
40	Quemador principalElectrodoL650	1	30800221	57-6	Tapa (Verde)	1	30800002AAG
41	Quemador principalElectrodoL430	1	30800241	57-7	Tapa (Azul metálico)	1	30800002AAL
42	Panel deGrease	1	30800019A	58	Rejilla para calentar	1	30800210
43	quemadorprincipal	3	30800086	59	parrilla de cocción	2	30800211
44	Fascia, LeftSideShelf	1	30800036	60	Difusorde Calor	3	30800018A
45	Tapa de extremo,del lado izquierdodel estante	1	30800205	61	Firebox	1	30800013A
46	LeftSideShelf	1	30800031	62	soporte de la puerta	1	30800056A
47	mango de la tapa	1	30800010	63	Indicador de combustible	1	30800087
48	Parachoques de goma, tapa	2	30800233	64	Abrazadera de alambre	1	30800105
49	Parachoques de goma, tapa	2	40800107	65	Cuadro decorativo	1	30800246
50	Medidor de temperatura	1	30800207				

No se ilustra

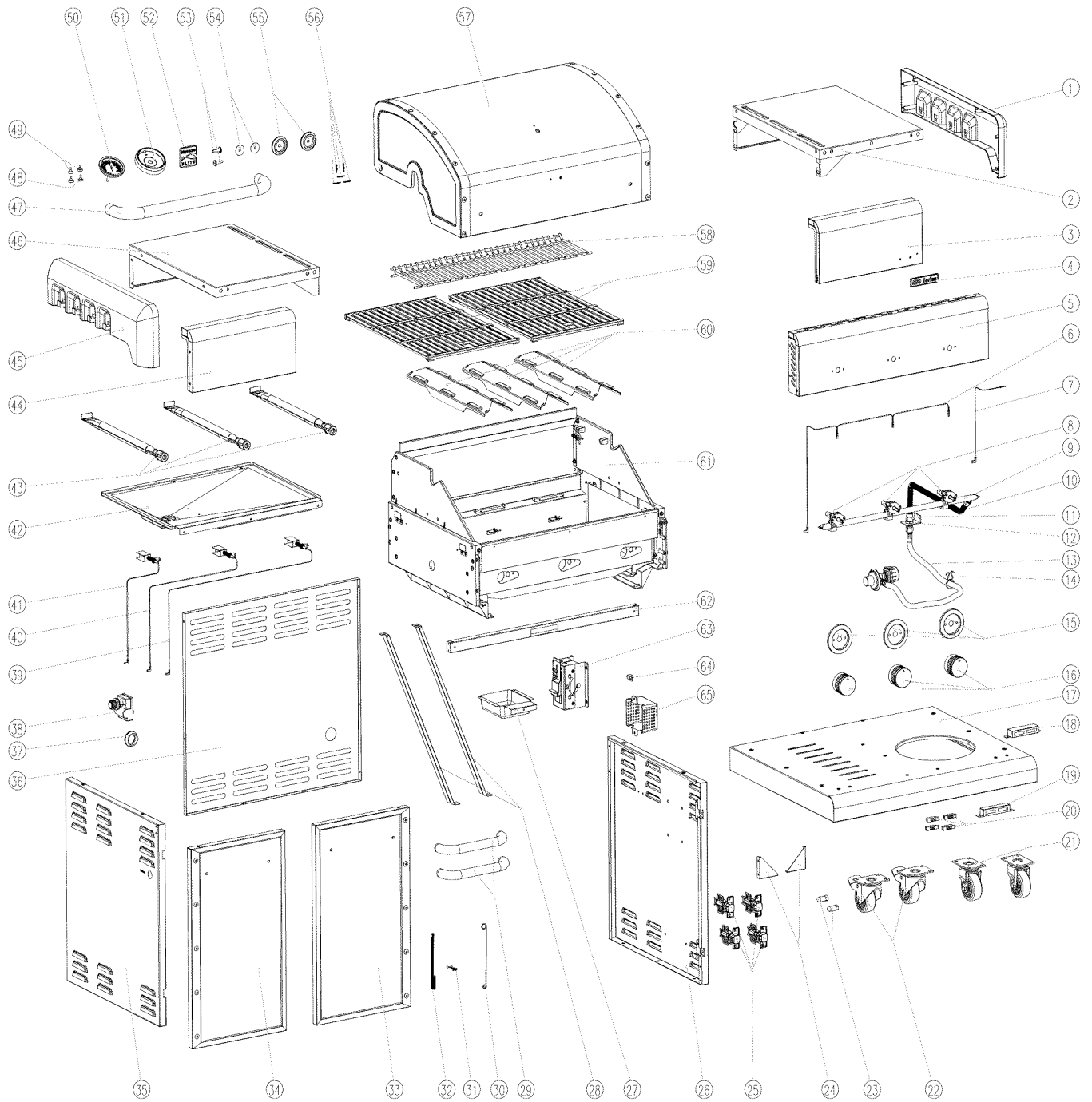
Paquete De Herrajes	1	30800340
Manual Del Producto	1	30800367A

Si le falta hardware o tiene partes dañadas después de desempacar la parrilla, llamar a 1-888-287-0735 para su sustitución.

Para pedir piezas de repuesto después de

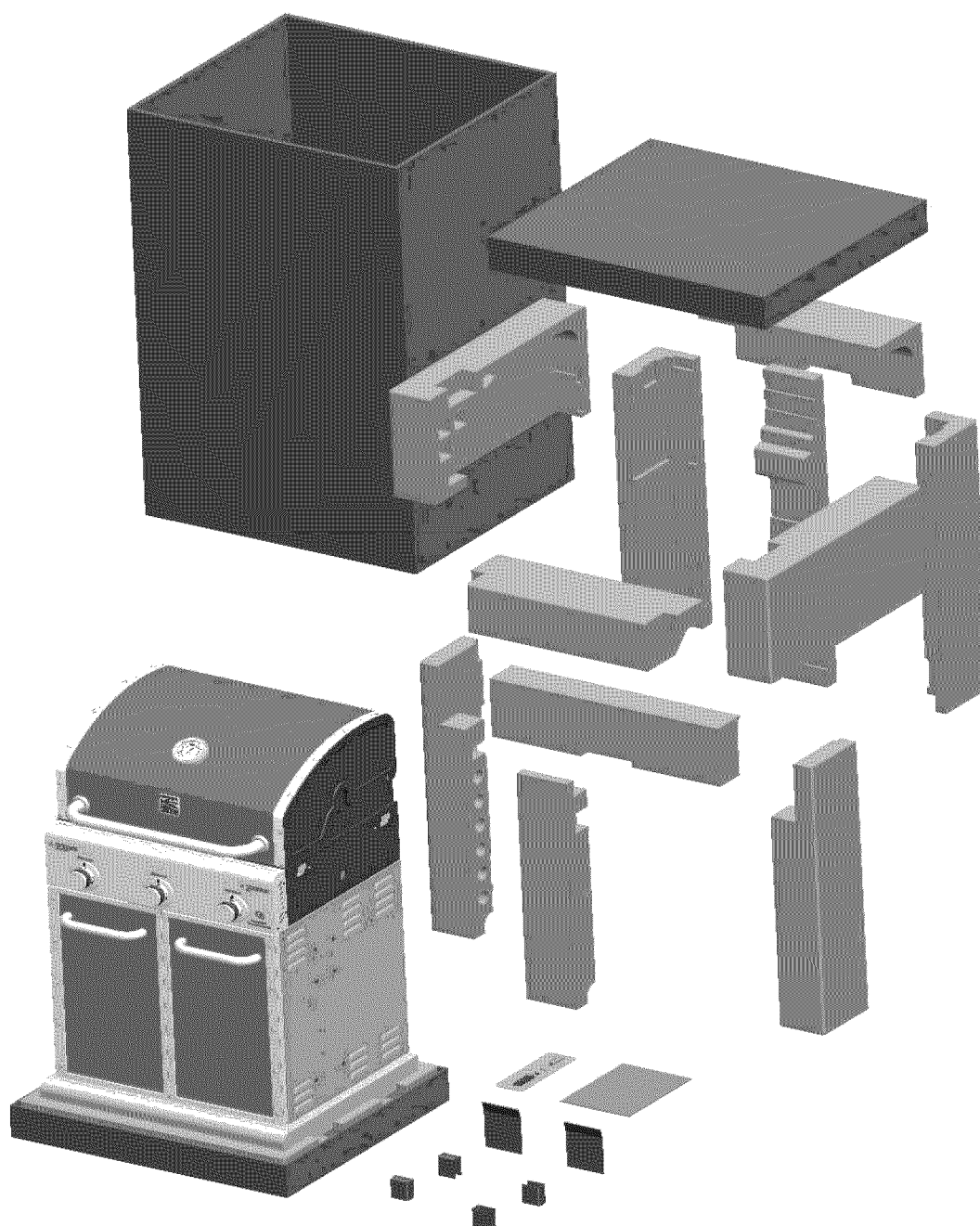
Nota: Algunas piezas parrilla, ilustradas en los pasos de armado, pueden ser ligeramente diferentes en apariencia de Los de su modelo de parrilla. Sin embargo, el método de armado es el mismo.

ESQUEMA

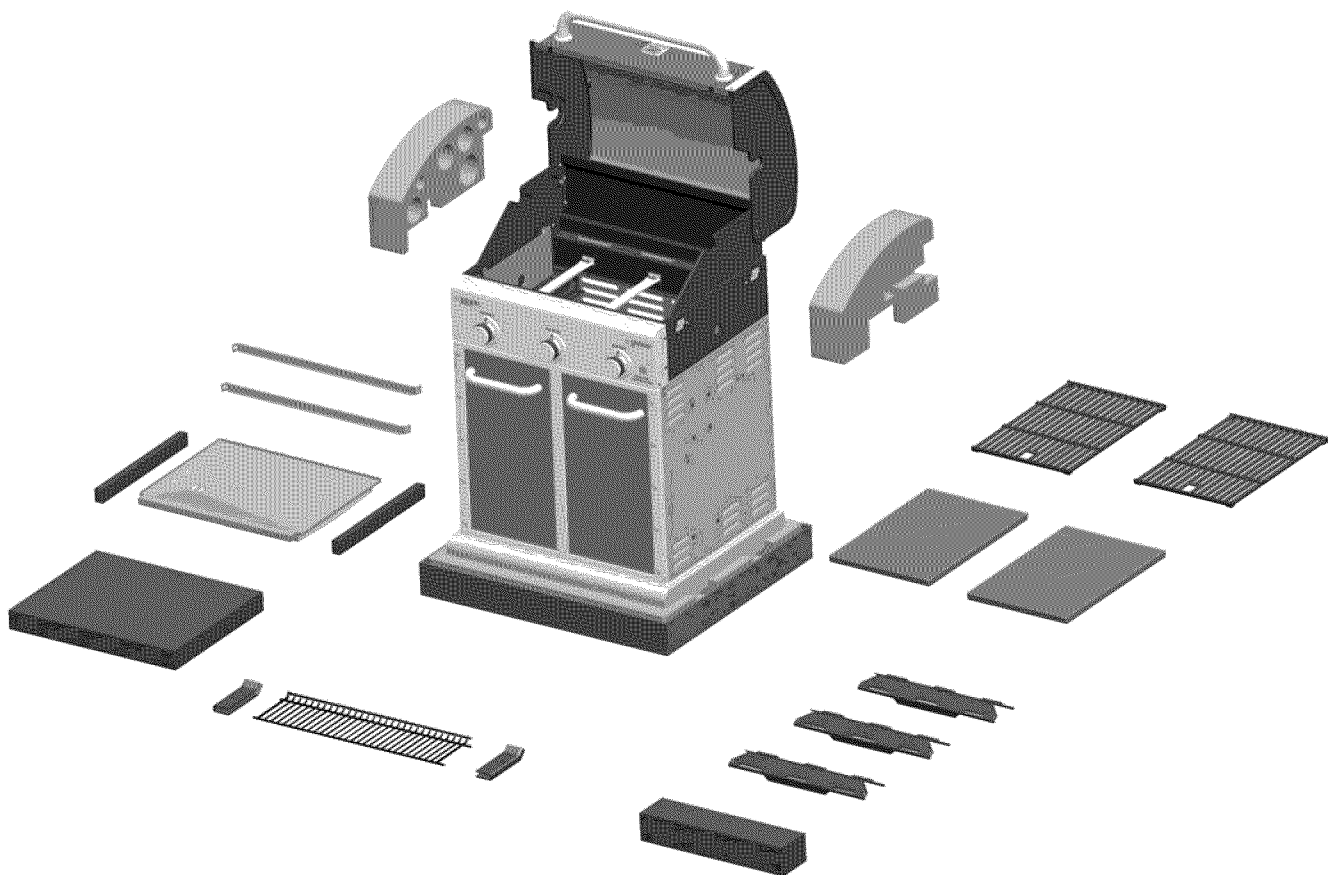
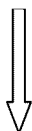
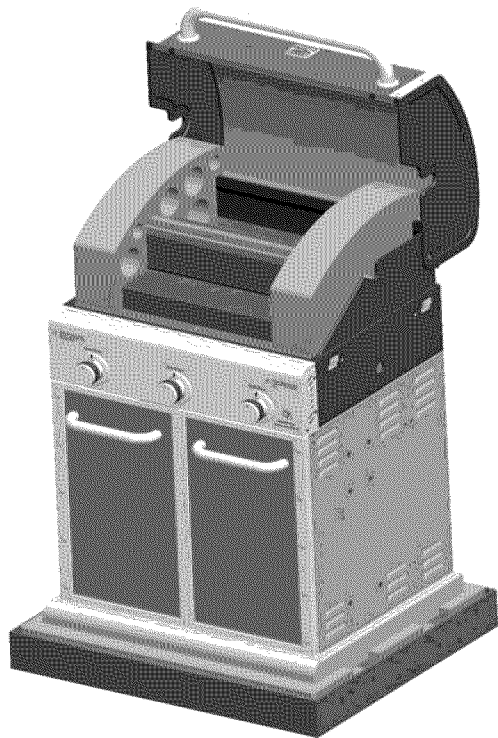


ANTES DE ASAMBLEA

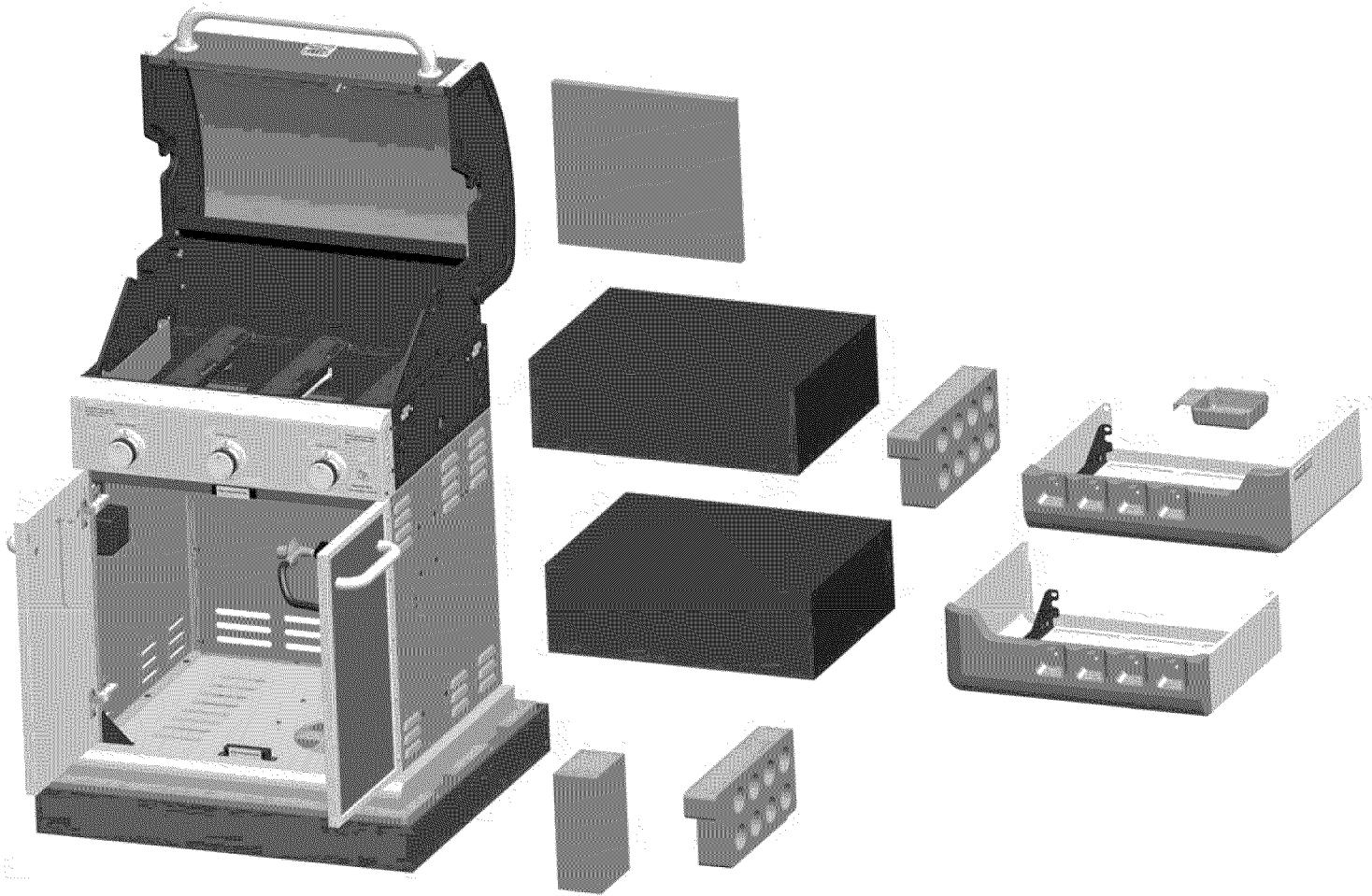
AVISO: Una vez que haya desembalado la parrilla según las instrucciones HOJA DE PARADA, revise todas las piezas de la parrilla contra las imágenes en este y los siguientes dos páginas. Si alguna parte falta o está dañada, llame al 1-888-287-0735



ANTES DE ASAMBLEA



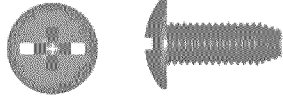
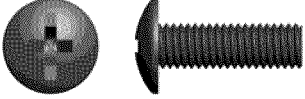
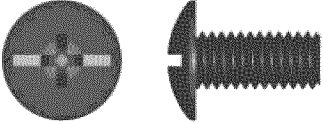

ANTES DE ASAMBLEA



LEA ATENTAMENTE Y REALICE TODAS LAS INSTRUCCIONES DE MONTAJE EN LAS PÁGINAS SIGUIENTES.

Herramientas necesarias:

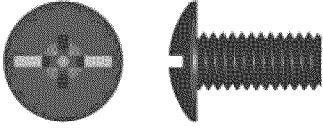
- Llave ajustable (no incluido)
- # 2 y # 3 Philips Destornillador y Destornillador plano (no incluido)
- El siguiente hardware se proporciona en blister para facilitar su uso.

<p>Tornillos de M4X10 Cant.:2 us</p> 	<p>Tornillos de M4X12 Cant.:2 us</p> 
<p>Tornillos de M6X13 Cant.:10 us</p> 	<p>AA Battery Cant.:1 us</p> 

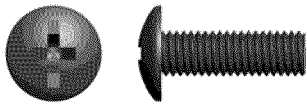
1

Lado Izquierdo Asamblea Shelf

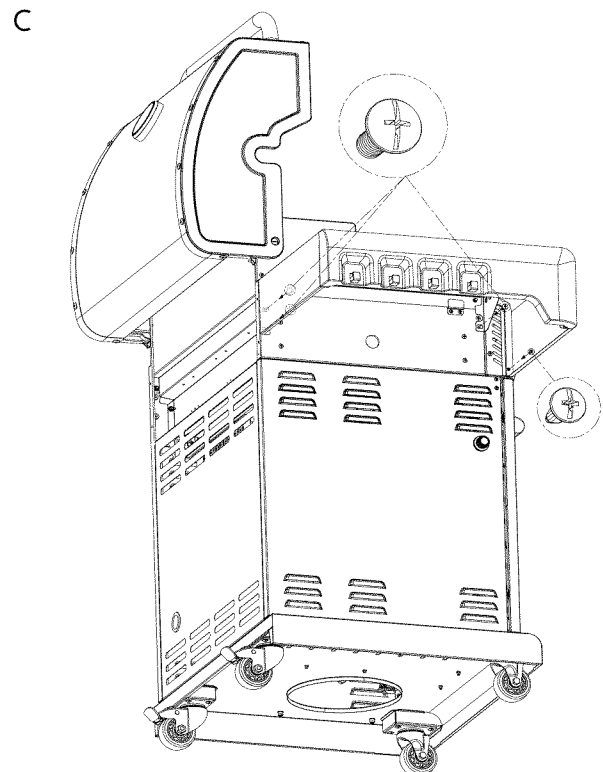
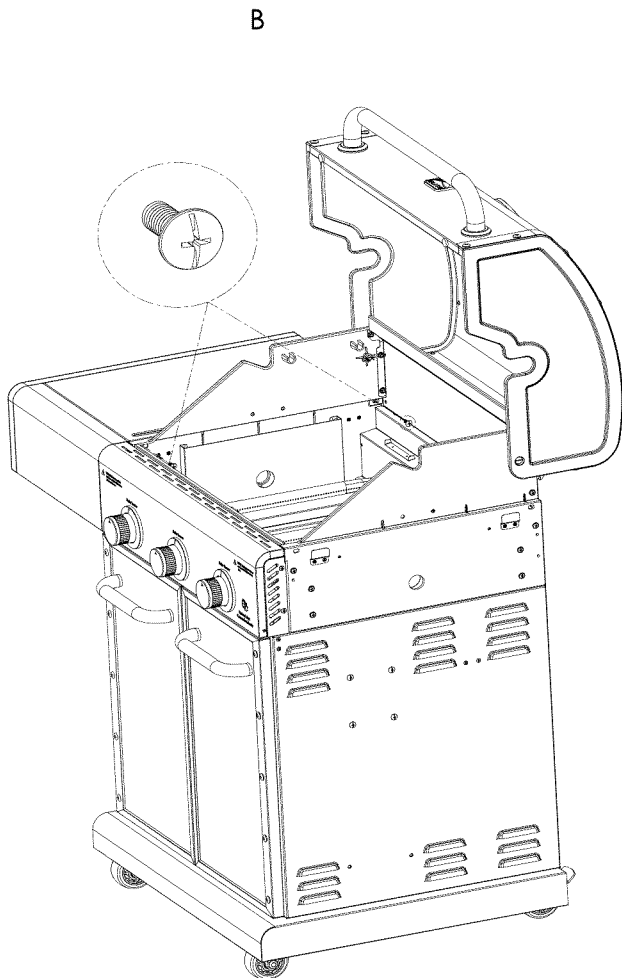
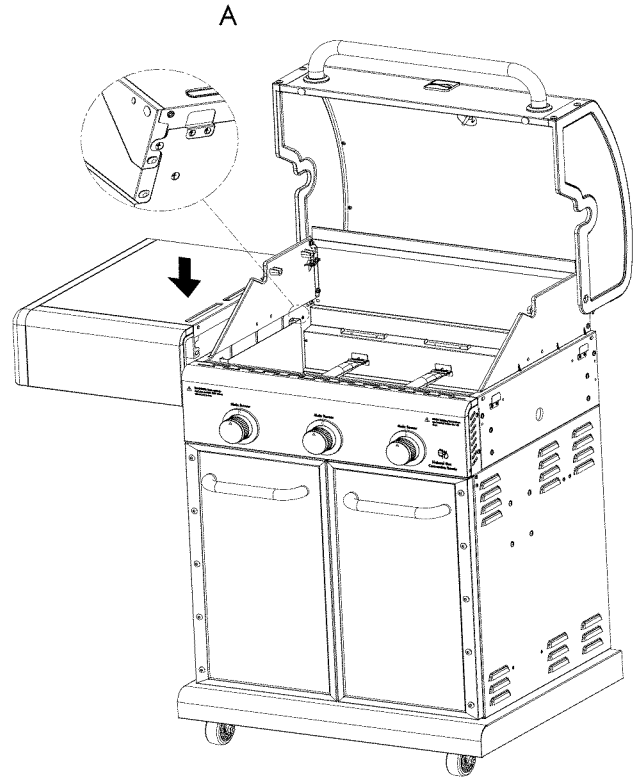
- Cuelgue estante en los soportes en el lado izquierdo de la caja de fuego. (A)
- Fije la repisa de la caja de fuego desde el interior con (2) tornillos de M6x13. (B)
- Fije la repisa de la cámara de combustión desde el exterior con (3) tornillos de M6x13 y (1) Tornillo M4x12. (C)



Tornillos de M6x13 Cant.: 5 us



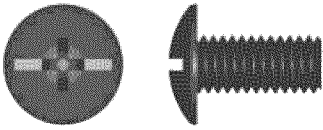
Tornillos de M4x12 Cant.: 1 us



2

Derecho Asamblea estante lateral

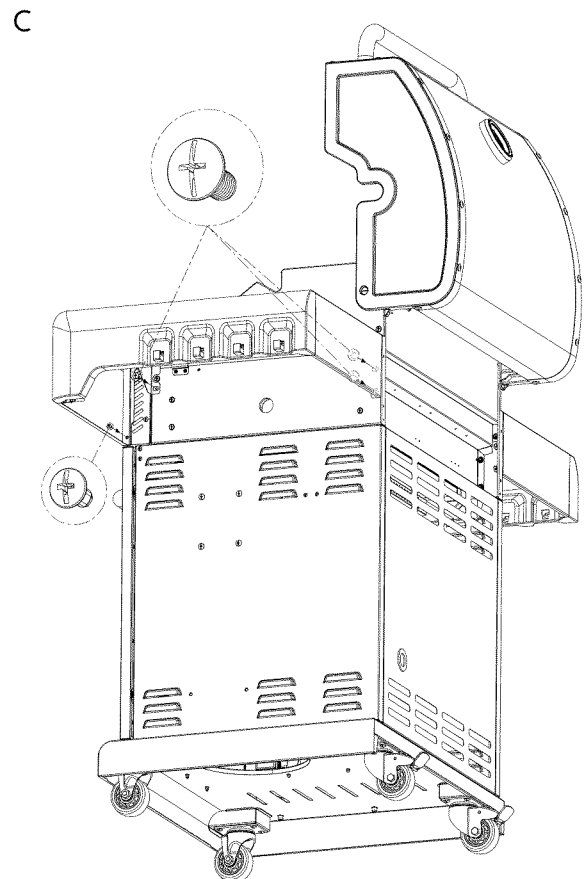
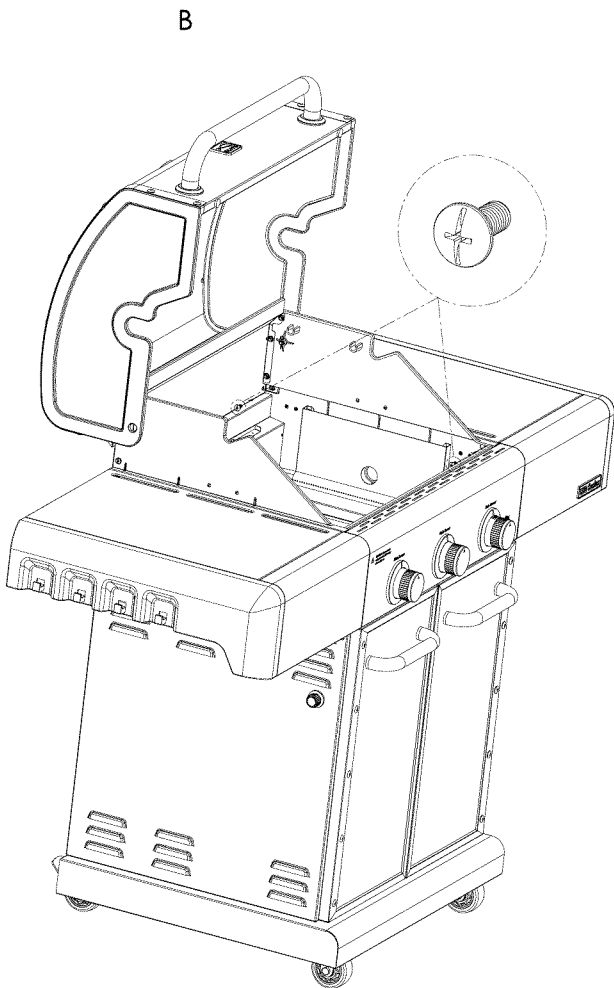
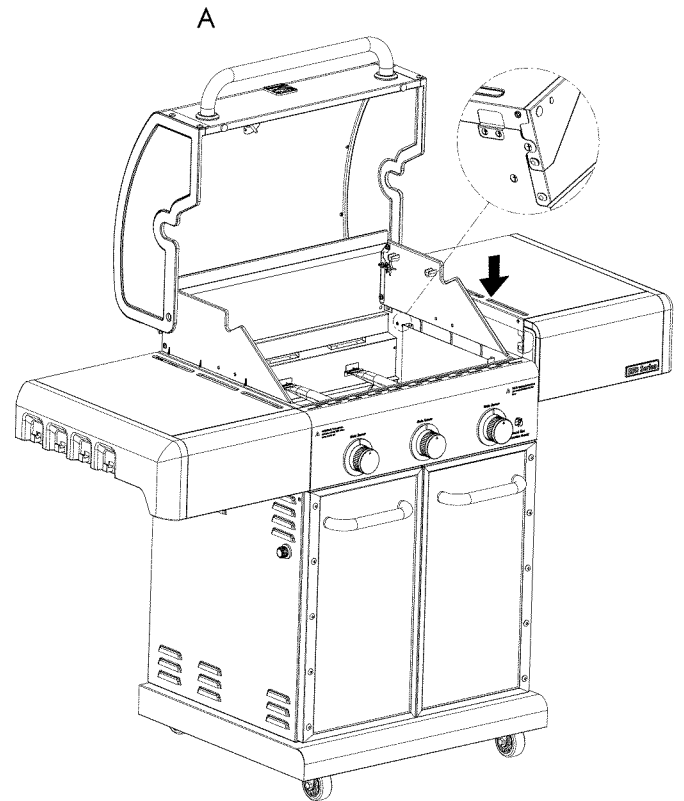
- Cuelgue estante en los soportes en el lado izquierdo de la caja de fuego. (A)
- Fije la repisa de la caja de fuego desde el interior con (2) tornillos de M6x13. (B)
- Fije la repisa de la cámara de combustión desde el exterior con (3) tornillos de M6x13 y (1) Tornillo M4x12. (C)



Tornillos de M6x13 Cant.: 5 us



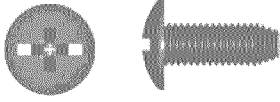
Tornillos de M4x12 Cant.: 1 us



3

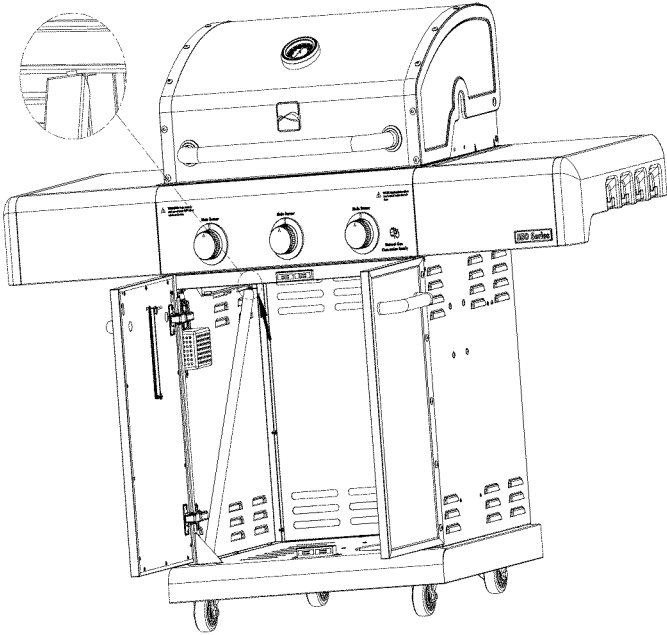
Tank Asambla Deflector

- Insertar tanque deflector punta de la barra con el agujero ovalado sobre la pestaña ovalada en la parte inferior del soporte de la bandeja de grasa (A).
- Gire la barra de la derecha para bloquear la punta en su lugar (B).
- Asegure el otro extremo de la barra para el estante inferior de la parrilla con (1) M4x10 Tornillo (C).
- Repita los pasos anteriores para la otra barra deflector del depósito (D).

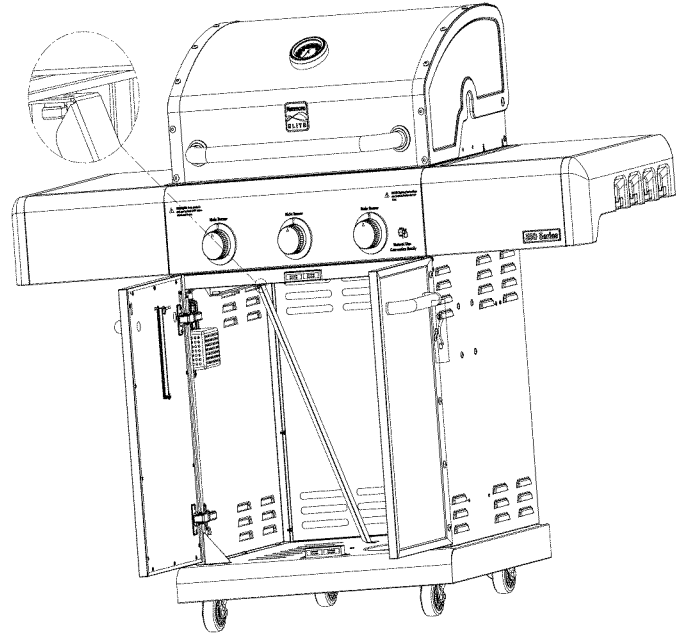


Tornillos de M4x10 Cant.: 2 us

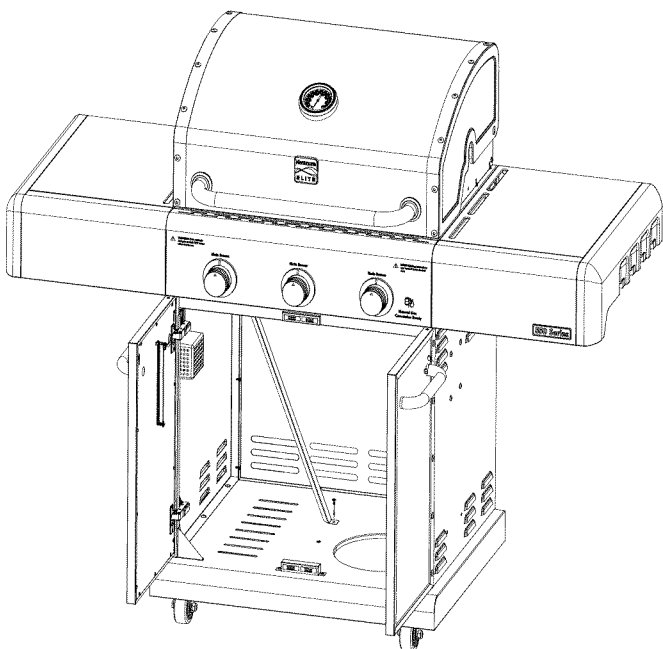
A



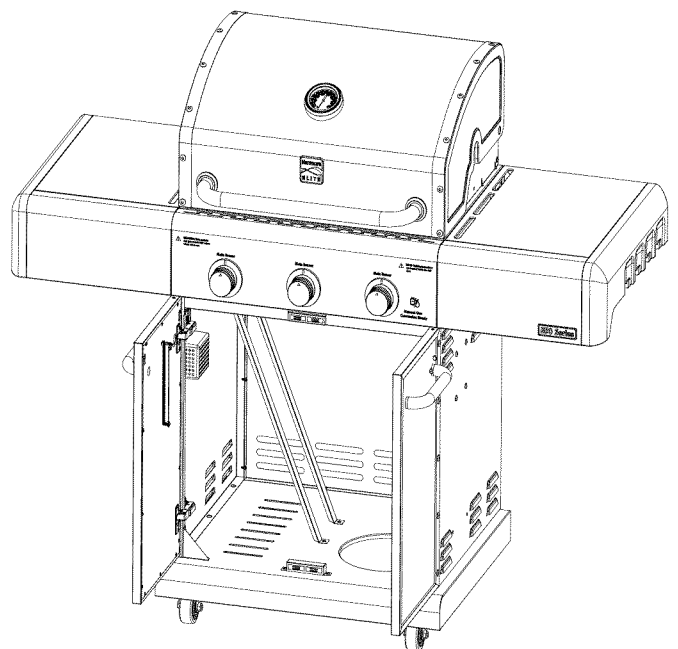
B



C



D

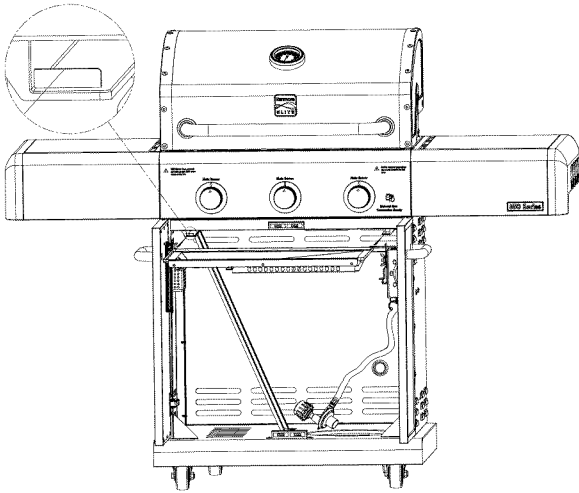


4

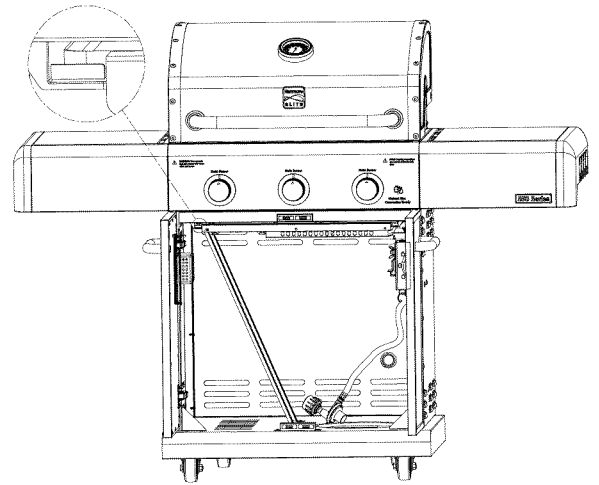
Bandeja para grasa y grasa Caja

- Del frente de la parrilla, deslice la bandeja de grasa en los soportes de la bandeja de grasa debajo de la cámara de combustión (A). Asegúrese de que el agujero de drenaje de grasa es en el lado izquierdo. (B)
- cuadro grasa diapositivas en el soporte de la caja de grasa como se muestra. (C) (D)

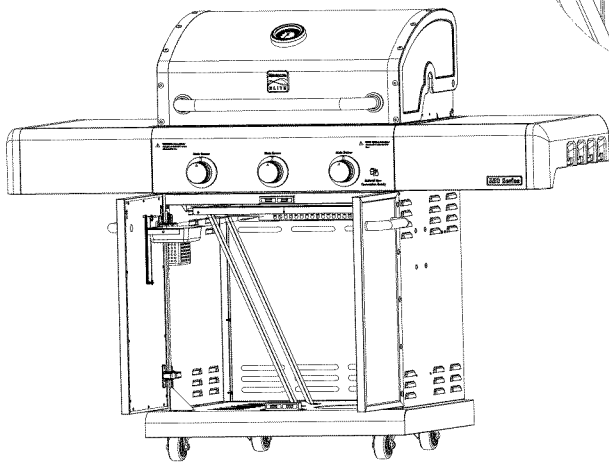
(A)



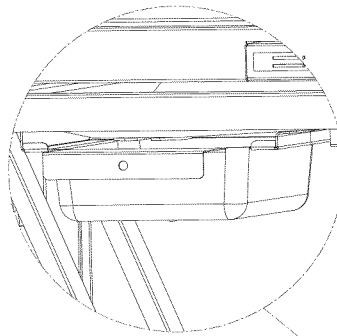
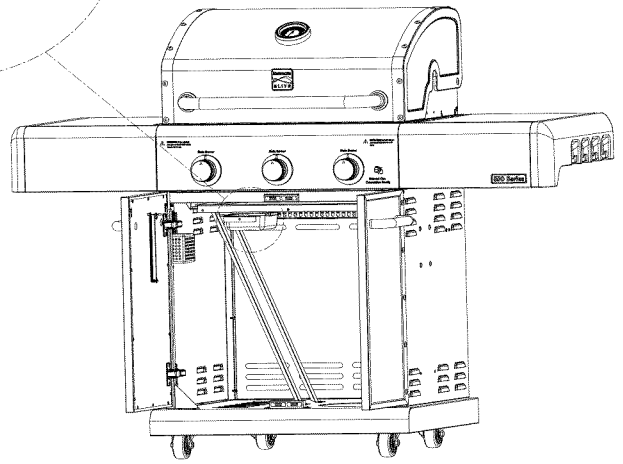
(B)



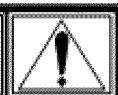
(C)



(D)



PRECAUCIÓN



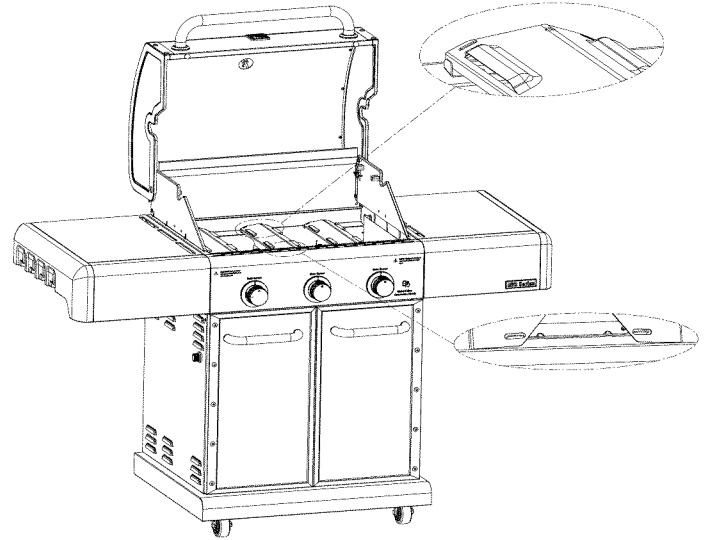
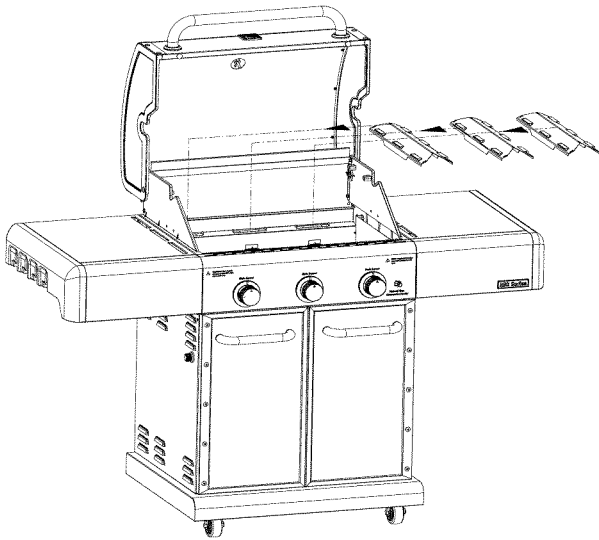
Si no se instala la caja de grasa hará que la grasa caliente que gotea desde la parte inferior de la parrilla con el riesgo de incendio o de daños a la propiedad.

5

Los difusores de calor, parrilla de cocción y el calentamiento rack

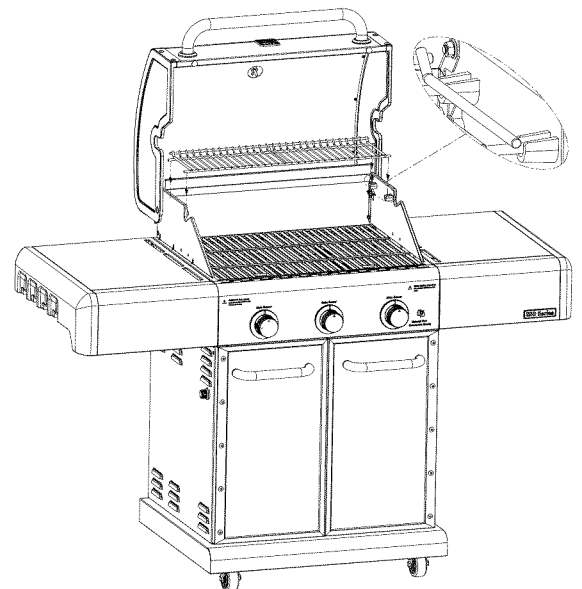
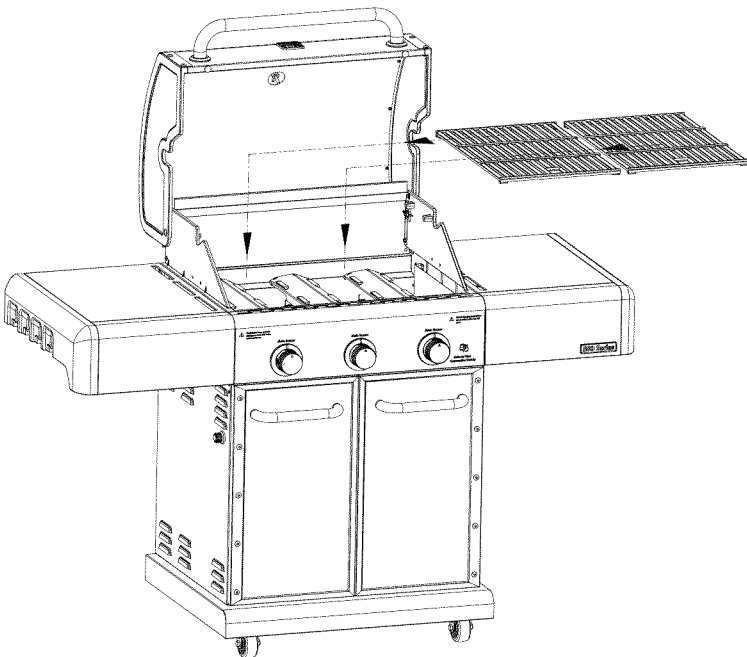
- difusores Place de calor sobre los quemadores. Los difusores de calor caben en la cámara de combustión en cualquier dirección. Coloque las lengüetas en el frente del fogón través de ranuras en consejos difusor. Consejos difusor caber dentro de las pestañas en la cámara de combustión posterior. (A)
- rejillas Place de cocina en la rejilla descansa. (B)
- Inserte la rejilla para calentar en los soportes en la parte superior de la caja de fuego como se muestra. (C)

(A)



(B)

(C)

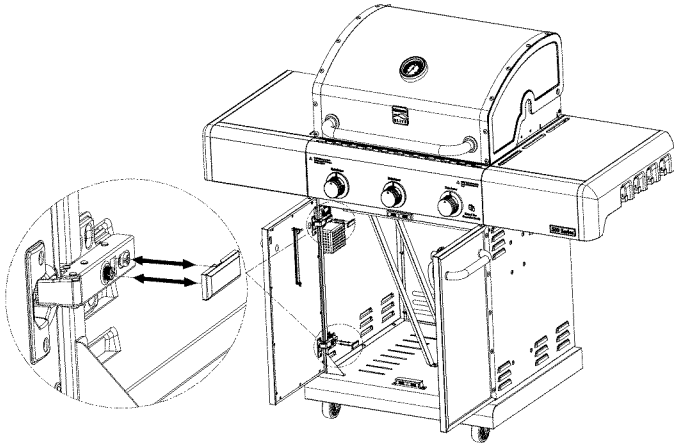


6

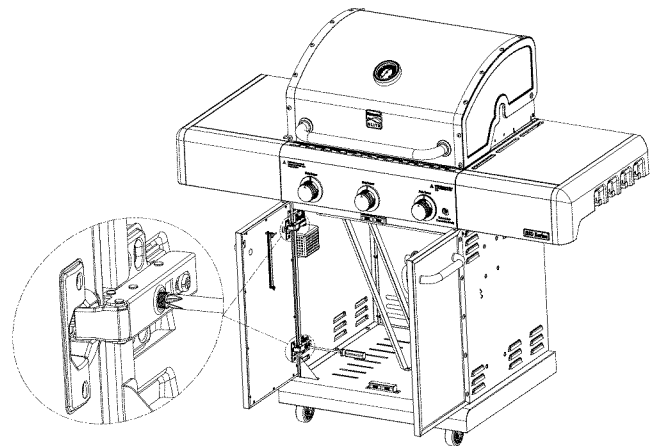
Ajuste de la puerta (puerta izquierda se muestra)

- Retire la tapa del tornillo de las bisagras superior e inferior para exponer los tornillos de ajuste (A).
- Para ajustar el espacio entre las puertas, gire los tornillos exteriores hacia la izquierda para aumentar la brecha, y en sentido horario para disminuir la brecha (A y B).
- Para ajustar el espacio entre la puerta y el carro, afloje los tornillos internos, a continuación, pasar la puerta hasta la posición deseada y vuelva a apretar los tornillos (C).

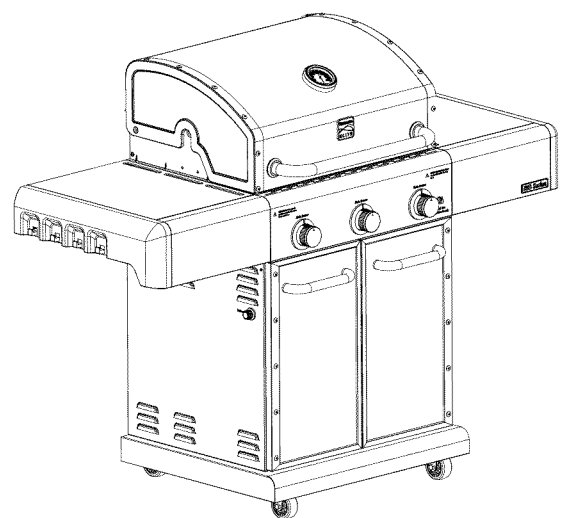
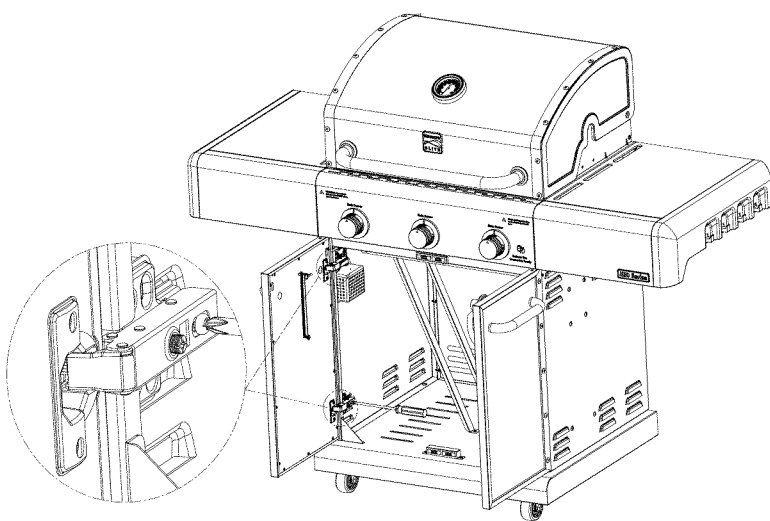
(A)



(B)



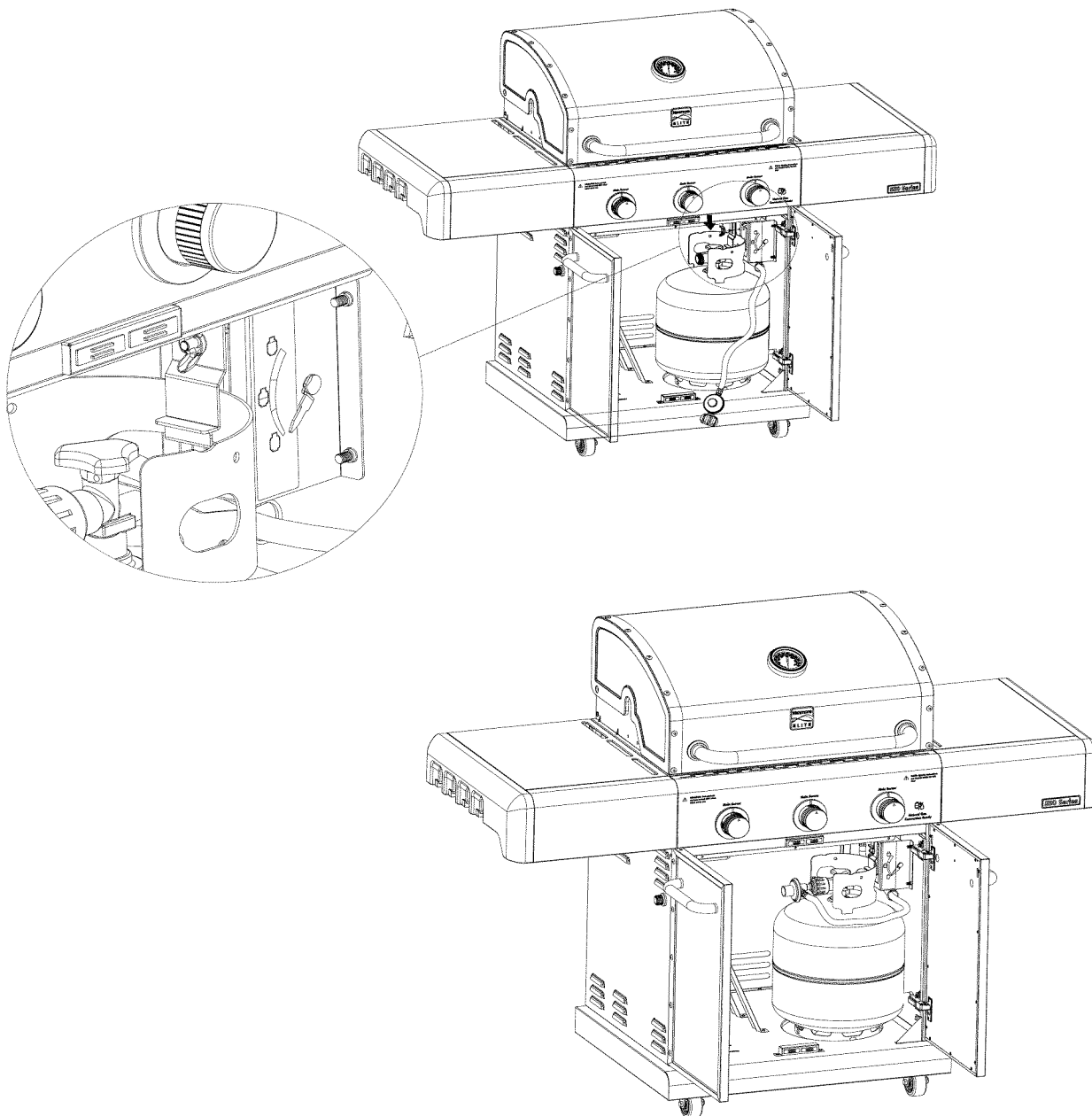
(C)



7

Instalación del depósito de Gas

- tanque de gas se vende por separado.
- tanque Place LP en el indicador de combustible con la abertura del depósito de cara a la izquierda como se muestra. Primera colgar abertura del protector del sobre el gancho en la cara del medidor. Luego gire calibre pestillo hacia abajo sobre el cuello y apretar la tuerca de mariposa para fijar el cuello en su lugar.
- Conecte el regulador y la manguera al tanque como se muestra. Asegúrese de que la manguera se sujeta a la parte inferior del indicador de combustible.



PRECAUCIÓN

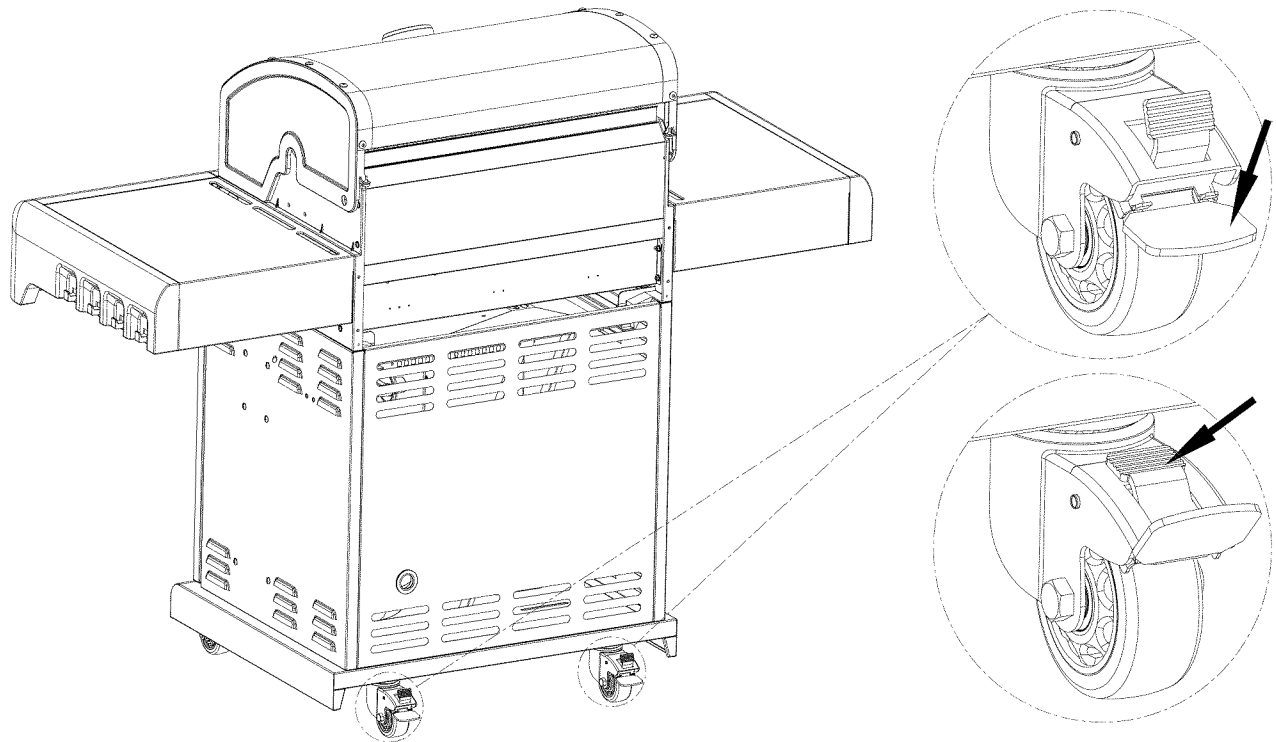


Si no se instala correctamente el tanque se puede permitir que la manguera de gas a ser dañados en la operación.

8

Frenos Freno de las ruedas - Aviso de seguridad

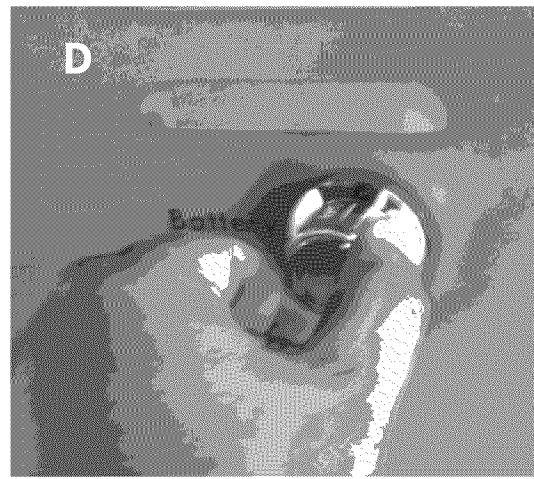
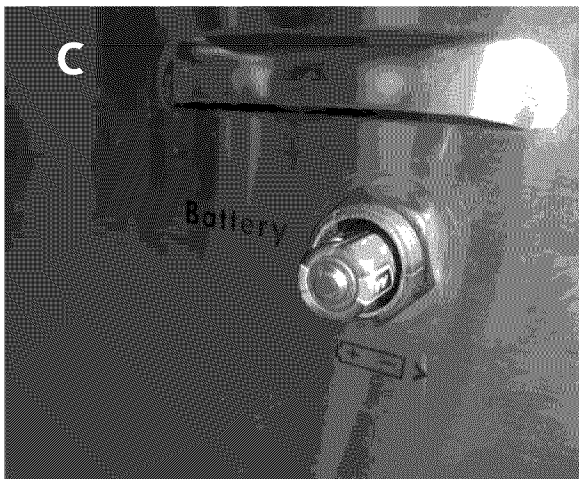
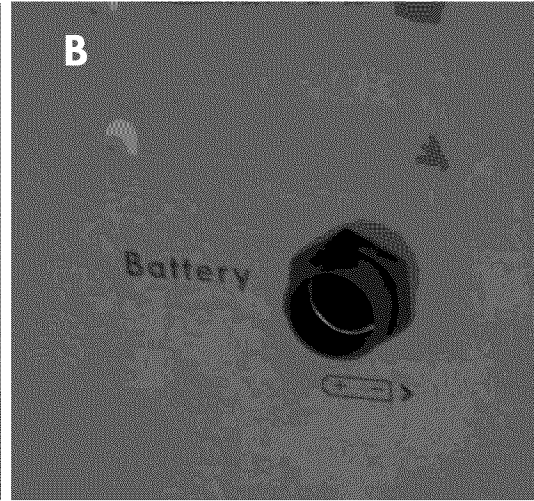
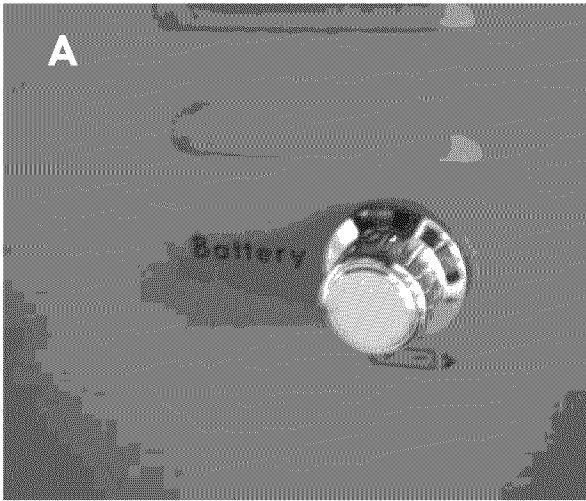
- Cuando la parrilla en la posición deseada, bloquee los frenos de las ruedas, lo que ayudará a la estancia la parrilla en lugar de operar con seguridad.



9

batería

- Desenrosque la tapa del encendedor en el panel de la izquierda, como se muestra a continuación. (A) (B)
- Insertar (1) pila AA en el compartimiento de la batería con el positivo (+) orientado hacia fuera. Atornille la tapa del encendedor de nuevo sobre el panel. (C) (D)



EMERGENCIAS: Si no se puede detener una fuga de gas, o si ocurre un incendio debido a una fuga de gas, llame a los bomberos.

Emergencias	Causas probables	Medidas de prevención / solución
<p>Fuga de gas de mangueras quebradas, cortadas o quemadas.</p> <p>Fuga de gas del cilindro.</p> <p>Fuga de gas de la válvula del cilindro de gas.</p> <p>Fuga de gas entre cilindro de gas y la conexión del regulador.</p> <p>Sale fuego a través del panel de control.</p> <p>Hay continuamente fuego de la grasa o demasiadas llamas sobre la superficie de cocinar.</p>	<ul style="list-style-type: none"> • Manguera dañada. • Falla mecánica debido a la oxidación o al mal uso. • Falla de la válvula del cilindro debida a mal uso o a falla mecánica. • Instalación inadecuada, la conexión no está bien apretada, falla de la junta de caucho. • Fuego en la sección del tubo del quemador debido a un bloqueo. • Demasiada grasa acumulada en la zona del quemador. 	<ul style="list-style-type: none"> • Cierre el gas en el cilindro o en la fuente de los sistemas de gas natural. Si tiene todo tipo de desperfectos, pero no está quemada, cambie la válvula/la manguera/ el regulador. Si está quemada, deje de usar el producto hasta que un plomero haya investigado la causa y haya hecho las correcciones. • Cambie el cilindro de gas. • Cierre la válvula del cilindro de gas. Devuelva el cilindro al proveedor de gas. • Cierre la válvula del cilindro de gas. Retire el regulador del cilindro y examine visualmente la junta de caucho para detectar cualquier daño. Lea las secciones tituladas Prueba para detectar fugas en un cilindro de gas y Como conectar el regulador al cilindro de gas. • Cierre las perillas de control y la válvula del cilindro de gas. Deje abierta la tapa para permitir que las llamas se extingan. Una vez que se haya extinguido el fuego y la parrilla esté fría, retire el quemador y examínelo para ver si tiene nidos de arañas o herrumbre. Lea las páginas relativas a Los peligros naturales y la limpieza de la unidad del quemador. • Cierre las perillas de control y la válvula del cilindro de gas. Deje abierta la tapa para permitir que las llamas se extingan. Una vez que se haya enfriado, limpie las partículas de comida y la acumulación de grasa en la parte interior de la zona de la cámara de combustión, de la lata para la grasa y de toda otra superficie.

Resolución de problemas

Problema	Causas probables	Medidas de prevención / solución
<p>El quemador o los quemadores no se enciende(n) al usar el encendedor.</p> <p><i>Continúa en la página siguiente.</i></p>	<p>PROBLEMAS DE GAS:</p> <ul style="list-style-type: none"> • Está tratando de encender el quemador equivocado. • El quemador no está conectado a la válvula de control. • Obstrucción en el quemador. • No hay flujo de gas. • Hay vapor atrapado en la tuerca de unión al tanque de gas. • La tuerca de unión y la válvula del tanque de gas no están bien conectadas. <p>PROBLEMAS DE ELECTRICIDAD:</p> <ul style="list-style-type: none"> • Electrodo quebrado o roto; salen "chispas de la quebradura". • La punta del electrodo no está en posición correcta. 	<ul style="list-style-type: none"> • Lea las instrucciones en el panel de control y en la sección titulada <i>Uso y cuidado</i>. • Verifique que las válvulas estén ubicadas dentro de los tubos de los quemadores. • Verifique que el tubo de los quemadores no esté obstruido con telarañas u otras materias. Lea la sección de limpieza de <i>Uso y cuidado</i>. • Verifique que el tanque no esté vacío. Si el tanque de gas no está vacío, lea la sección referente a la <i>Caída repentina del flujo de gas</i>. • Cierre las perillas y desconecte la tuerca de unión del tanque. Vuelva a conectarla y trate de nuevo. • Gire la tuerca de unión entre media vuelta y tres cuartos de vuelta adicionales, hasta que no la pueda girar más. Apriétela a mano únicamente, no use herramientas. • Cambie el (los) electrodo(s). <p>Quemadores principales:</p> <ul style="list-style-type: none"> • La punta del electrodo debe estar orientada hacia el agujero de combustión del quemador. La distancia debe ser de 1/8" a 1/4". Ajústela si es necesario. <p>Quemador lateral (si lo tiene)</p> <ul style="list-style-type: none"> • La punta del electrodo debe estar orientada hacia el agujero de combustión del quemador. La distancia debe ser de 1/8" a 3/169. Ajústela si es necesario.

Resolución de problemas (continuación)

Problema	Causas probables	Medidas de prevención / solución
El quemador o los quemadores no se enciende(n) al usar el encendedor.	<ul style="list-style-type: none"> • El cable o el electrodo está cubierto con restos de comida. • Los cables están flojos o desconectados. • Los cables producen cortocircuitos (chispas) entre el encendedor y el electrodo. <p>BOTÓN PULSADOR PIEZOELÉCTRICO Y GIRATORIO:</p> <ul style="list-style-type: none"> • El botón pulsador se pega en el fondo. • La perilla giratoria gira sin hacer clic. • Hay chispas entre el encendedor y el electrodo. 	<ul style="list-style-type: none"> • Limpie el cable y el electrodo con alcohol de frotar y un hisopo limpio. • Vuelva a conectar los cables o cambie la unidad de electrodo/cable. • Cambie la unidad del cable del encendedor / el electrodo. • Cambie el encendedor. • Cambie la perilla. • Examine el aislamiento de los cables y verifique que las conexiones estén bien hechas. Cambie los cables si tienen roto el aislamiento.
El quemador o los quemadores no se encienden al usar fósforos.	<ul style="list-style-type: none"> • Lea "PROBLEMAS DE GAS:" en la página anterior. • El fósforo no llega al punto de encendido. • Método inadecuado de encender con fósforos. 	<ul style="list-style-type: none"> • Use un fósforo de palito largo (fósforo para encender chimeneas). • Lea la sección de limpieza de <i>Uso y cuidado</i>.
Llama baja, gota en flujo del gas.	<ul style="list-style-type: none"> • Se acabó el gas. • Se activó la válvula por sobrecarga de gas. • Hay vapor atrapado en la conexión de la tuerca de unión y el tanque de gas. 	<ul style="list-style-type: none"> • Verifique que el tanque de gas esté cargado. • Dé vuelta apagado al control y las perillas del tanque, esperen 30 segundos, perilla del tanque de la vuelta encendido lentamente, parrilla ligera. Si las llamas siguen siendo bajas, dé vuelta apagado a las perillas del control y del tanque y desconecte el regulador. Vuelva a conectar el regulador, perilla del tanque de la vuelta encendido lentamente, parrilla ligera. • Dé vuelta apagado al control y a las perillas del tanque y desconecte el regulador. Vuelva a conectar el regulador, gire la perilla del tanque lentamente, parrilla ligera.
Llamas que se apagan.	<ul style="list-style-type: none"> • Vientos fuertes. • Bajo flujo de gas propano. • Se activó la válvula por sobrecarga de gas. 	<ul style="list-style-type: none"> • Gire el frente de la parrilla de modo que quede de cara al viento, o aumente la graduación de las llamas. • Recargue el tanque de gas. • Lea lo referente a la <i>Caida repentina del flujo de gas</i> en la sección anterior.
Fogonazos.	<ul style="list-style-type: none"> • Acumulación de grasa. • Carne sumamente grasosa. • Temperatura de cocción muy elevada. 	<ul style="list-style-type: none"> • Limpie los quemadores y el interior de la parrilla / cámara de combustión. • Desgrase la carne antes de cocinarla a la parrilla. • Ajuste (baje) la temperatura según corresponda.
producidos por la grasa.	<ul style="list-style-type: none"> • Grasa atrapada por acumulación de restos de comida alrededor del sistema del quemador. 	<ul style="list-style-type: none"> • Cierre las perillas. Cierre el paso de gas desde el tanque. Deje la tapa en su sitio y deje que se apague el fuego. Después de que se enfríe la parrilla, retire y limpie todas las piezas.
Retorno de las llamas (fuego en el (los) tubo(s) del quemador).	<ul style="list-style-type: none"> • El quemador o los tubos del quemador están obstruidos. 	<ul style="list-style-type: none"> • Cierre las perillas. Limpie el quemador o los tubos del quemador. Lea la sección de limpieza del quemador de <i>Uso y cuidado</i>.
No se puede recargar el tanque de gas propano.	<ul style="list-style-type: none"> • Algunos vendedores de gas tienen boquillas de llenado viejas, con las roscas gastadas. 	<ul style="list-style-type: none"> • Las boquillas desgastadas no tienen suficiente "agarre" para conectarse a la válvula. Comuníquese con otro vendedor de gas.
Un quemador no se enciende desde el quemador otra (s).	<ul style="list-style-type: none"> • La acumulación de grasa o partículas de alimentos en el extremo (s) de tubo de prórroga (s). Fuegos persistentes, 	<ul style="list-style-type: none"> • Gire las perillas en OFF. Apague el gas en el cilindro LP. Deje la tapa en su posición y dejar que el fuego se queme. Después de la parrilla se enfríe, quite y limpie todas las partes.

Resolución de problemas – Encendido electrónico

Problema (encendido)	Causas probables	Procedimiento de revisión	Medidas de prevención / solución
<p>SECCIÓN I No aparecen chispas en ningún electrodo cuando se pulsa el botón de encendido; no se oye ningún sonido del módulo de chispas.</p>	<ul style="list-style-type: none"> • La pila no está instalada adecuadamente. • Pila gastada. • La unidad del botón no está instalada adecuadamente. • Módulo de chispas defectuoso. 	<ul style="list-style-type: none"> • Revise la orientación de la pila. • ¿Es una pila usada? • Revise que las piezas estén debidamente enroscadas. El botón debe desplazarse hacia arriba y hacia abajo sin trabas. • Si no se generan chispas con la pila nueva y las conexiones del cable están bien hechas, el módulo está defectuoso. 	<ul style="list-style-type: none"> • Instale la pila (verifique que los polos “+” y “-” estén orientados correctamente, con el extremo “+” hacia arriba y el extremo “-” hacia abajo). • Cámbiela por una pila alcalina nueva, de tamaño AA. • Desenrosque la tapa del botón y vuelva a instalarla; verifique que las roscas estén bien alineadas y bien enroscadas. • Cambie la unidad del módulo de chispas.
<p>SECCIÓN II No aparece ninguna chispa en los electrodos cuando se pulsa el interruptor de encendido; no se oye ningún sonido</p>	<ul style="list-style-type: none"> • Las conexiones del cable de salida no están bien hechas. 	<ul style="list-style-type: none"> • ¿Están conectadas y bien hechas las conexiones de salida? 	<ul style="list-style-type: none"> • Retire y vuelva a hacer todas las conexiones de salida en el módulo y en los electrodos
<p>SECCIÓN III Hay chispas pero no en todos los electrodos y/o no a plena potencia</p>	<ul style="list-style-type: none"> • Las conexiones del cable de salida no están bien hechas. • El arco de la parrilla se forma lejos del (de los) quemador (es). • Pila débil. • Los electrodos están húmedos. • Los electrodos están agrietados o rotos, con "chispas en las grietas". 	<ul style="list-style-type: none"> • ¿Están conectadas y bien hechas las conexiones de salida? • Si es posible, observe la parrilla en un lugar oscuro. Haga funcionar el sistema de encendido y trate de detectar la formación del arco entre los cables de salida y el marco de la parrilla. • Se forman todas las chispas pero son débiles o lentas. • ¿Se ha acumulado humedad en el electrodo y/o en los orificios de combustión? • Examine los electrodos para detectar grietas. 	<ul style="list-style-type: none"> • Retire y vuelva a hacer todas las conexiones de salida en el módulo y en los electrodos. • Si se observan chispas que no sean del (de los) quemador (es), es posible que esté dañado el aislamiento de los cables. Cambie los cables. • Cambie la pila por una pila alcalina nueva, de tamaño AA. • Use una toalla de papel para secar la humedad. • Cambie los electrodos agrietados o rotos.

Get it fixed, at your home or ours!

Your Home

For troubleshooting, product manuals and expert advice:



www.managemylife.com

For repair – **in your home** – of **all** major brand appliances, lawn and garden equipment, or heating and cooling systems, **no matter who made it, no matter who sold it!**

For the replacement parts, accessories and owner's manuals that you need to do-it-yourself.

For Sears professional installation of home appliances and items like garage door openers and water heaters.

1-800-4-MY-HOME[®] (1-800-469-4663)

Call anytime, day or night (U.S.A. and Canada)

www.sears.com www.sears.ca

Our Home

For repair of carry-in items like vacuums, lawn equipment, and electronics, call anytime for the location of your nearest

Sears Parts & Repair Service Center

1-800-488-1222 (U.S.A.)

www.sears.com

1-800-469-4663 (Canada)

www.sears.ca

To purchase a protection agreement on a product serviced by Sears:

1-800-827-6655 (U.S.A.)

1-800-361-6665 (Canada)

Para pedir servicio de reparación a domicilio, y para ordenar piezas:

1-888-SU-HOGAR[®]

(1-888-784-6427)

www.sears.com

Au Canada pour service en français:

1-800-LE-FOYER^{MC}

(1-800-533-6937)

www.sears.ca

The Sears logo, consisting of the word "sears" in a lowercase, serif font.