

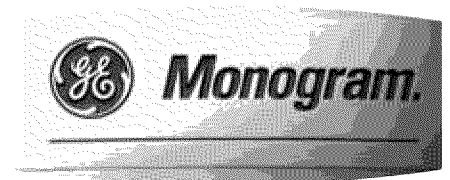
# Design Guide with Installation Instructions

36" Built-In Bottom-Freezer  
Refrigerators

31-49063-2
224D3095P002

01-15 GE

[monogram.com](http://monogram.com)



# Safety Information


## BEFORE YOU BEGIN

Read these instructions completely and carefully.


- **IMPORTANT** – Save these instructions for local inspector's use. Observe all governing codes and ordinances.
- **Note to Installer** – Be sure to leave these instructions with the Consumer.
- **Note to Consumer** – Keep these instructions with your Owner's Manual for future reference.


If you received a damaged refrigerator, you should immediately contact your dealer or builder.

**Skill Level** – Installation of this refrigerator requires basic mechanical, carpentry and plumbing skills. Proper installation is the responsibility of the installer. Product failure due to improper installation is not covered under the GE Appliance Warranty. See the Owner's Manual for warranty information.

 This is the safety alert symbol. This symbol alerts you to potential hazards that can kill or hurt you and others. All safety messages will follow the safety alert symbol and the word "DANGER", "WARNING", or "CAUTION". These words are defined as:

 **DANGER** Indicates a hazardous situation which, if not avoided, **will** result in death or serious injury.

 **WARNING** Indicates a hazardous situation which, if not avoided, **could** result in death or serious injury.

 **CAUTION** Indicates a hazardous situation which, if not avoided, **could** result in minor or moderate injury.

 **WARNING**  **Electrical Shock Hazard.**

Plug into a grounded 3-prong outlet.

Do not remove the ground prong.

Do not use an adapter.

Immediately replace electric cords that become frayed or damaged.

Do not use an extension cord with this appliance.

Failure to follow these instructions can result in death, fire, or electrical shock.

Follow the instructions in the section *Grounding the Refrigerator*.

 **WARNING**  **Tip Over Hazard.**

These refrigerators are top heavy, especially with any doors open, and must be secured to prevent tipping forward which could result in death or serious injury. Read and follow the entire installation instructions for securing the refrigerator with the anti-tip system.

 **WARNING**  **Explosion Hazard.**

Keep flammable materials and vapors, such as gasoline, away from refrigerator. Failure to do so can result in fire, explosion, or death.

 **WARNING** To reduce the risk associated with choking, do not allow children under 3 years of age to have access to small parts during the installation of this product.

 **CAUTION** **Lifting Hazard**

This refrigerator is very heavy. To reduce the risk of person injury during maneuvering and installing this refrigerator, 3 people are required for proper installation.


For Monogram local service in your area, call 1.800.444.1845.


For Monogram service in Canada, call 1.800.561.3344

For Monogram Parts and Accessories, call 1.800.626.2002.

www.monogram.com

# Consignes de Sécurité

 Ce symbole représente une alerte de sécurité. Ce symbole vous avise de dangers possibles pouvant causer la mort, des blessures ou autres. Tous les messages de sécurité seront précédés du symbole d'alerte de sécurité ainsi que des mots « DANGER », « AVERTISSEMENT » ou « MISE EN GARDE ». Ces messages sont les suivants :

 **DANGER** Signale une situation qui présente un danger imminent et qui, si elle n'est pas évitée, entraînera des blessures graves, voire la mort.

 **AVERTISSEMENT** Signale une situation qui présente un danger imminent et qui, si elle n'est pas évitée, peut entraîner des blessures graves, voire la mort. .

 **ATTENTION** Signale une situation qui présente un danger imminent et qui, si elle n'est pas évitée, peut entraîner des blessures mineures ou graves.

 **AVERTISSEMENT**  **Risque de choc électrique.**

Branchez l'appareil dans une prise triple avec terre.

Ne retirez pas la broche de terre.

N'utilisez pas d'adaptateur.

Le non-respect de ces instructions peut entraîner des risques d'incendies, des chocs électriques ou la mort.

Remplacer immédiatement tout cordon électrique effiloché ou endommagé.

N'utilisez pas de rallonge avec cet appareil.

Le non-respect de ces instructions peut entraîner des risques d'incendies, des chocs électriques ou la mort.

Suivez les instructions de la section *Mise à la terre du réfrigérateur*.

 **AVERTISSEMENT**  **Risque de basculement**

Ces réfrigérateurs présentent une partie supérieure lourde, en particulier avec une porte ouverte; ils doivent donc être fixés pour prévenir le basculement vers l'avant et le risque concomitant de blessure grave ou fatale. Lisez et suivez les instructions d'installation complètes pour l'installation du système anti-basculement.

 **AVERTISSEMENT**  **Risque d'explosion.**

Conservez les matériaux et vapeurs inflammables tels que l'essence à l'écart de votre réfrigérateur. Le non-respect de cette instruction peut entraîner un risque d'incendie, d'explosion ou de décès.

 **AVERTISSEMENT** Pour réduire le risque d'étouffement pendant l'installation de ce produit, ne pas laisser les petites pièces à la portée des enfants âgés de moins de 3 ans.

 **ATTENTION** **Risque associé à la manutention d'une charge lourde**

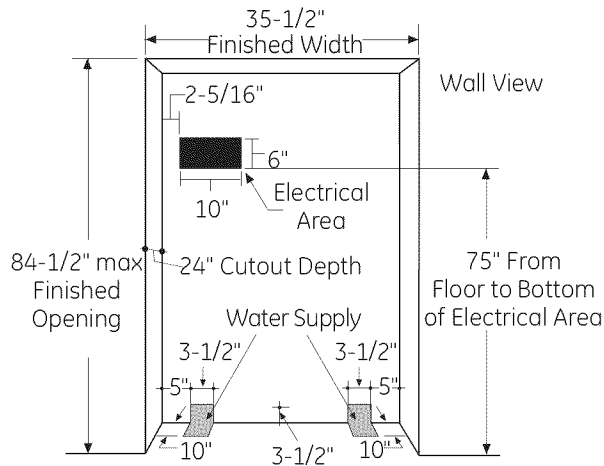
Ce réfrigérateur est très lourd. Pour réduire le risque de blessure lors de la manutention de ce réfrigérateur, trois (3) personnes sont nécessaires pour procéder à l'installation appropriée du modèle 36 pouces, quatre (4) pour l'installation des modèles 42 ou 48 pouces.

# Contents

<b>Safety</b>	2-3	Step 4. Install Case Trim	16
<b>Planning Guide</b>		Step 5. Anti-Tip Procedures	17-18
The Installation Space	5	Step 6. Level Refrigerator	18
Dimensions and Clearances	5	Step 7. Secure Refrigerator to Cabinetry - Flush Install	19
Customization Basics	7	Step 8. Secure Unit to Wall - Standard Install	19
3/4" Overlay Panel Dimensions - Flush	7	Step 9. Alternate Anti-Tip Procedure	19
1/4" Framed Panel Dimensions - Standard	8	Step 10. Adjust Door Swing	19
3/4" Overlay Panel Dimensions - Standard	8	Step 11. Remove Door Trim	20
130° Door Swing	9	Step 12. Layout Decorative Door Panels	21-22
90° Door Swing	11	Step 13. Attach Brackets to Panels	22
Side Panels	11	Step 14. Attach Brackets to Freezer Door Panel	23
ZUG2 and ZUGF2 Grille Panel Dimensions	11	Step 15. Hang Decorative Door Panels	23
<b>Installation Instructions</b>		Step 16. Layout Decorative Grille Panel	24
Tools, Hardware, Materials	12	Step 17. Install Grille Panel	24
Grounding the Refrigerator	12	Step 18. Adjust Decorative Panels	25-26
Parts Identification	13-14	Step 19. Replace Trim	26
Step 1. Remove Packaging	15	Step 20. Connect Water Supply	27
Step 2. Install Water Line	15-16	Step 21. Connect Power	27
Step 3. Install Side Panels	16	Step 22. Start Icemaker	27
		Step 23. Install Toekick	27

# Design Guide

## THE INSTALLATION SPACE



\*For standard installation, the finished cutout width must be 35-1/2".

\*For flush mount installation, the finished cutout width must be 39".

### Water And Electrical Locations

Electrical and water supply must be located as shown.

### The Cutout Depth Must Be 24" For Standard Installation

The refrigerator will project forward, slightly beyond adjacent cabinetry, depending on your installation. Allow minimum 1/8" air gap between case back & wall.

### The Cutout Depth Must Be 26-3/16" For Flush Installation

Wooden cleats are required for flush installation. See *Side Cleats* on page 11.

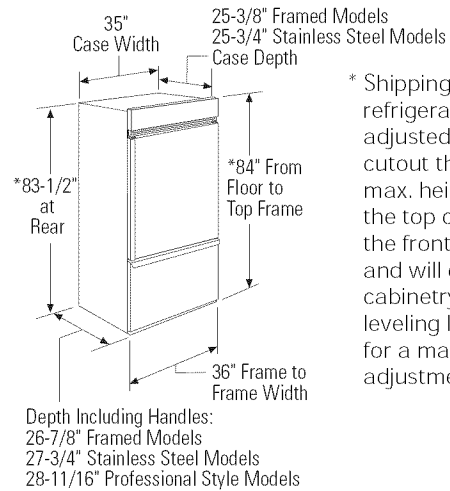
### Cutout depth beneath a soffit:

When installed beneath a soffit, the soffit cannot exceed the 24" installation depth shown. The top case trim overlaps the bottom of the soffit.

### Additional Specifications

- A 115 volt 60Hz., 15 or 20 amp power supply is required. An individual properly grounded branch circuit or circuit breaker is recommended. Install a properly grounded 3-prong electrical receptacle recessed into the back wall. Electrical must be located on rear wall as shown.
- Note: GFI (ground fault interrupter) is not recommended.
- Water line can enter the opening through the floor or back wall. Route GE SmartConnect™ kit or 1/4" O.D. copper tubing between the cold water line and the water connection location. The tubing should be long enough to extend to the front of the refrigerator. Installation of an easily accessible shut-off valve in the water line is required.

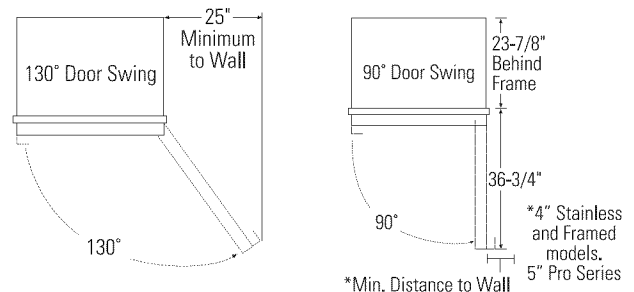
## DIMENSIONS AND CLEARANCES



\* Shipping height. The refrigerator can be adjusted to fit into a cutout that is 84-1/2" max. height. Note that the top case trim at the front is 1/2" higher and will overlap upper cabinetry or soffit. Use leveling legs and wheels for a maximum 1" height adjustment.

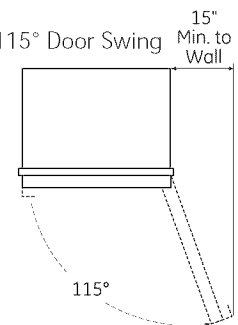
### Product Clearances

These refrigerators are equipped with a 3-position door stop. The factory set 115° door swing can be adjusted to 90° if clearance to adjacent cabinets or walls is restricted.



Allow 25" minimum clearance for a full 130° door swing. Allow 15" for pan removal.

For a 90° door swing, allow 4" min. clearance to a wall, for framed and stainless steel models. Allow 5" min. clearance for professional style models. If the 90° door stop position is used, pan access is maintained, but pan removal is restricted.



See illustrations pages 4 and 5 to determine door swing interaction with adjacent cabinets or countertops.

### ZUG2, ZUGSS2 Unified Grille Panel Kit for Standard Installation

- If you are installing two refrigerators, side by side, the installation space must be 71-1/2" wide.

**Note:** Additional cutout width may be required when side panels are used. Add side panel thickness to the finished cutout to calculate rough-in width.

- The water and electrical locations for each product must be located as shown.
- A separate 115V, 60Hz., 15 or 20 amp power supply is recommended for each product.

# Design Guide

## CUSTOMIZATION BASICS:

### Framed Or Overlay Panels, Custom Handles and Accessory Kits

#### Professional Style Stainless Steel Refrigerators

Stainless steel wrapped refrigerators with beveled edges and professional style handles. These models are shipped ready for installation.

#### Stainless Steel Wrapped Refrigerators

Stainless steel wrapped refrigerators with beveled edges and tubular stainless steel handles that coordinate with other Monogram appliances. These models are shipped ready for installation.

#### Trimmed Refrigerators

Trimmed refrigerators are designed to be customized with decorative panels. Field installed custom door and grille panels are required.

#### Side Panels

Side panels must be used whenever the sides of the refrigerator will be exposed.

## Optional Accessory Kits

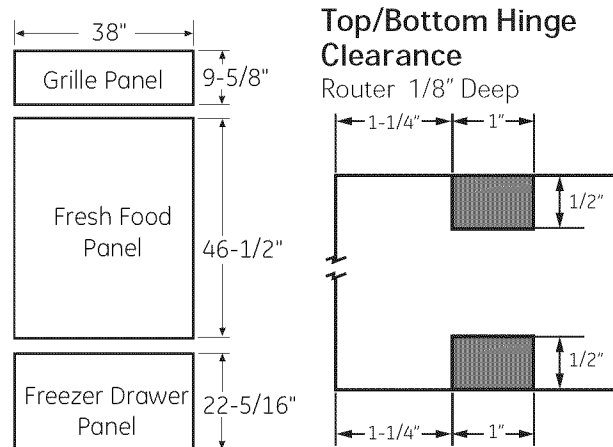
- ZKHCSS2: Monogram Tubular Stainless Steel handles designed to fit 3/4" overlay panels. This kit also includes a handle side trim for custom handles.
- ZKHPSS1: Professional Tubular Stainless Steel Handle designed to fit 3/4" overlay panels. Kit includes one handle. Order 2 kits for bottom-freezer refrigerators from your Monogram supplier.
- ZUG2: For side-by-side installation of two trimmed bottom-freezer refrigerators. This kit provides for the installation of a unified custom grille panel to span the width of two units using a framed or overlay panel.
- ZUGPP2: For side-by-side installation of two professional-style bottom-freezer refrigerators. This kit provides a unified stainless steel grille panel to span the width of two units.
- ZUGSS2: For side-by-side installation of two stainless steel wrapped bottom-freezer refrigerators. This kit provides a unified stainless steel grille panel to span the width of two units.
- ZUGF2: For side-by-side installation of two trimmed models. This kit provides for the installation of a unified custom grille panel to span the width of two units using flush installation panel.
- ZKHCT: Handle side trim for left-hand and right-hand doors. For use on 3/4" custom panels when using a custom handle.
- ZTK36BFHRH: Trim kit for standard installation using custom panels. This kit is for use with a right hand door swing.
- ZTK36BFHLH: Trim kit for standard installation using custom panels. This kit is for use with a left hand door swing.

# Design Guide

## 3/4" OVERLAY PANEL DIMENSIONS (Flush Installation Only)

For a more custom appearance, overlay panels may be installed to give a flush appearance with surrounding cabinets. The overlay panel must be 3/4" thick. Panel attaches to included brackets to provide mounting to the appliance door.

**NOTE:** We recommend that decorative panels have inside corners and edges rounded or beveled by cabinet maker to avoid sharp edges on the panels. Edges to be treated should include the top, bottom and hinge side edges.



**IMPORTANT NOTE:** Maximum total weight for the assembled panels:  
Door panel – 67 lbs.      Grille Panel – 18 lbs.

### ⚠ WARNING



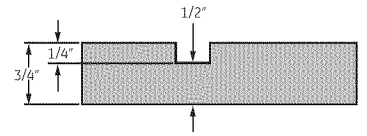
#### Door Trim Pinch Point Hazard

Improper installation can lead to a finger pinch point hazard between the side door trim and the cabinets when operating the door, especially with children. To minimize this risk you must follow the installation instructions for cabinet dimensions, trim assembly, and door stop angle.

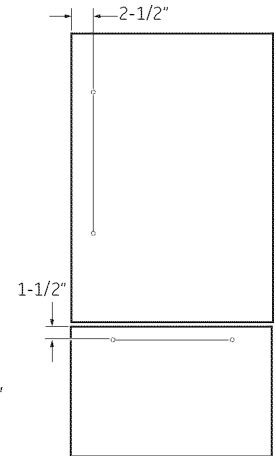
## CUSTOM HANDLE DESIGN GUIDE (Flush Installation Only)

For custom handle installation, counterbore holes in rear of decorative panels may not exceed 1/4" depth to ensure 1/2" material thickness remains for handle support.

**NOTE:** The counterbore must not exceed 1" in diameter.



Minimum distance from handle side edge to handle center on the fresh food door should be 2-1/2" as shown.



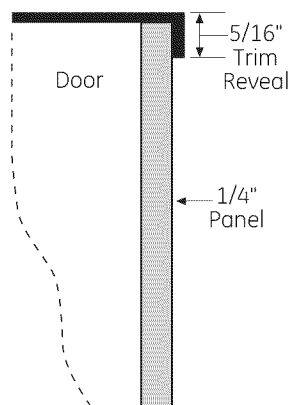
Minimum distance from top edge to handle center on the freezer drawer should be 1-1/2" as shown.

# Design Guide

## 1/4" FRAMED PANEL DIMENSIONS (Standard Installation Only)

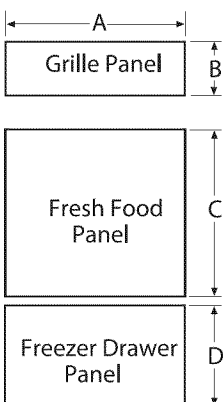
If you choose to install framed panels, they must be cut to the dimensions shown. The panels will slide into the frame on the door, drawer and grille.

If the custom panel is less than 1/4" thick and if it fits loosely in the door frame, it can be backed up with a piece of filler material or foam tape to improve the fit.



**IMPORTANT NOTE:** Maximum total panel weight:

- Fresh food door panel – 58 lbs.
- Freezer drawer panel – 28 lbs.
- Grille Panel – 11 lbs.



### Framed Panel Dimensions

	A (Width)	B (Grille Height)	C (FF Height)	D (FZ Height)
1/4" Framed Panel	33-7/8"	8-7/8"	46-1/16"	21-7/8"

### Overlay Panel Dimensions

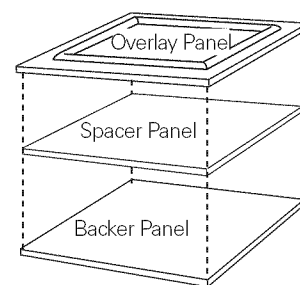
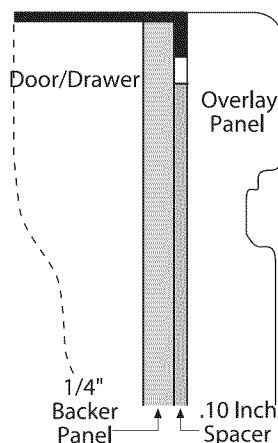
	A (Width)	B (Grille Height)	C (FF Height)	D (FZ Height)
1/4" Backer Panel	33-7/8"	8-7/8"	46-1/16"	21-7/8"
0.10" Spacer Panel	32-1/2"	7-5/8"	44-11/16"	20-1/2"
3/4" Overlay Panel	34-1/8"	9"	46-5/16"	22"

## 3/4" OVERLAY PANEL DIMENSIONS (Standard Installation Only)

For a more custom appearance, overlay panels may be installed on trimmed models. The overlay panel must be secured to a 1/4" thick backer panel which slides into the trim. A spacer panel 0.10" thick must be placed between the overlay and backer panel.

Assemble the panels with glue and screws.

- Center the spacer panel on the backer panel, left to right and top to bottom. Secure the panels with glue.
- Center the spacer and backer panel on the overlay panel and secure with glue and screws. Screws must be countersunk into the backer panel.



**IMPORTANT NOTE:** Maximum total weight for the assembled panels:

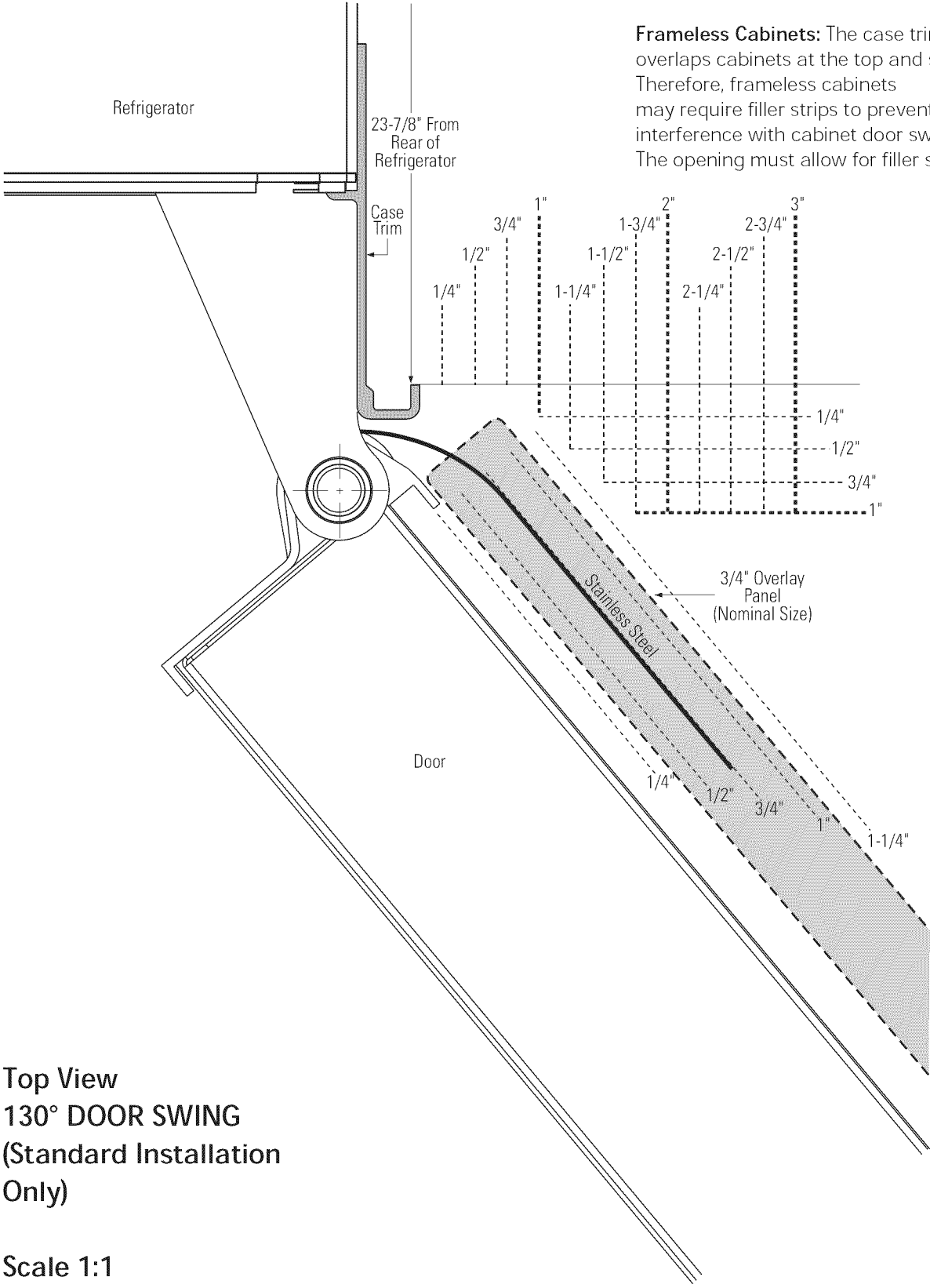
- Fresh food door panel – 58 lbs.
- Freezer drawer panel – 28 lbs.
- Grille Panel – 11 lbs.

**NOTE:** Left-to-right offset is not always equal to top-to-bottom offset.



# Design Guide

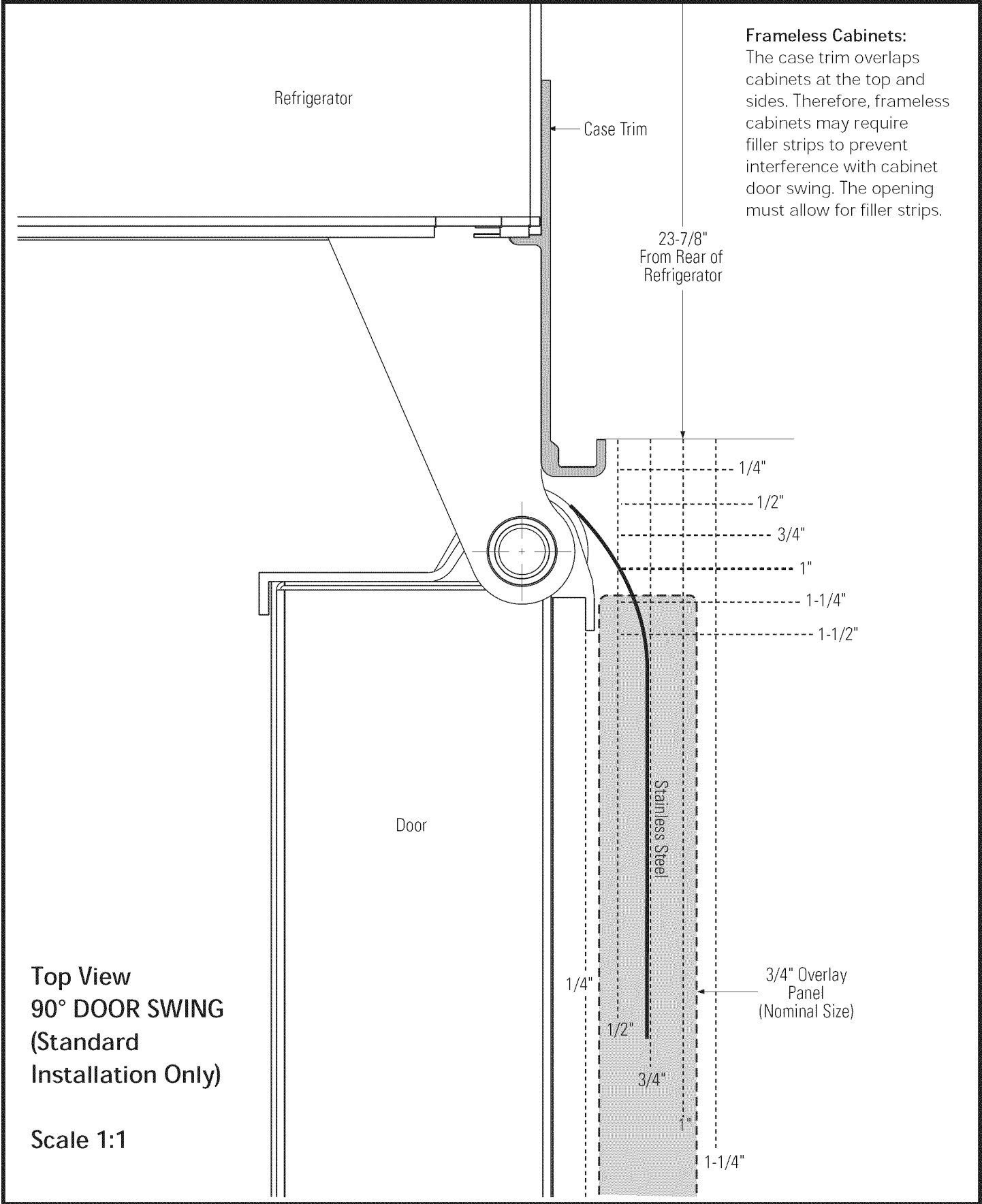
**Frameless Cabinets:** The case trim overlaps cabinets at the top and sides. Therefore, frameless cabinets may require filler strips to prevent interference with cabinet door swing. The opening must allow for filler strips.



Top View  
 130° DOOR SWING  
 (Standard Installation  
 Only)

Scale 1:1

# Design Guide



Top View  
 90° DOOR SWING  
 (Standard Installation Only)

Scale 1:1

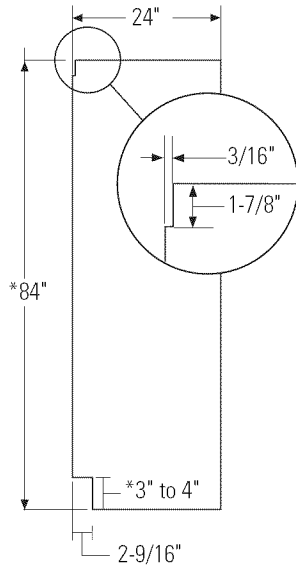
# Design Guide

## SIDE PANELS

Side panels must be used whenever the sides of the refrigerator will be exposed. The 1/4" side panels will slip into the side case trim. Secure the panels to the refrigerator with stick-on hook and loop fastener strips. Order the side panels from the cabinet manufacturer.

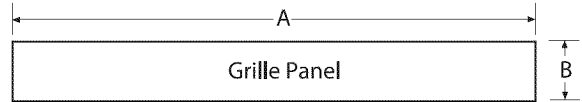
- Cut a notch in the top front corner as shown to allow clearance for corner keys in the front side trim.

\* Depending on installation height.



## ZUG2 GRILLE PANEL DIMENSIONS (Standard Installation Only)

The ZUG2 unified grille panel kit provides for the installation of a framed or overlay grille panel.

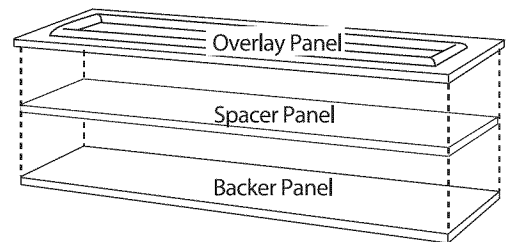


### Framed Panel Dimensions

	A (Width)	B (Height)
1/4" Framed Panel	69-7/8"	8-7/8"

### Overlay Panel Dimensions

	A (Width)	B (Height)
1/4" Backer Panel	69-7/8"	8-7/8"
0.10" Spacer Panel	68-1/2"	7-5/8"
3/4" Overlay Panel	70-1/8"	9"

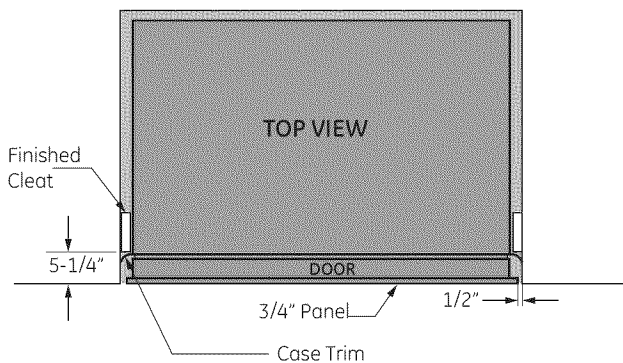


Assemble the overlay panels in the same manner as the door and drawer panels.

## SIDE CLEATS (Flush Installation Only)

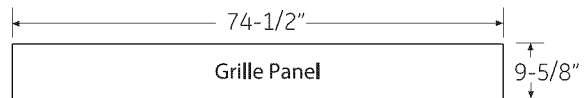
Wood cleats are required to be installed vertically down both sides of the cabinet opening to provide depth stop for the refrigerator when installed into the opening.

The front of the cleat should be installed 5-1/4" from the front of the cabinet opening.



## ZUGF2 GRILLE PANEL DIMENSIONS (Flush Installation Only)

The ZUGF2 unified grille panel kit provides for the installation of a flush grille panel.



# Installation Instructions

## TOOLS REQUIRED

- Tinsnips to cut banding
- Stepladder
- Bucket
- Level
- Appliance Hand Truck
- Tubing cutter
- 7/16" open-end wrench
- #2 Phillips screwdriver
- Drill and appropriate bits
- 5/16", 7/16" socket
- Safety glasses
- 1-1/4" open end wrench
- Pliers
- 1/4" ratchet

## HARDWARE SUPPLIED

- Water filter bypass plug
- Anti-Tip brackets
- 1/4" nut and ferrule
- Flush inset bracket pack
- Case trim(s)

## MATERIALS REQUIRED

- 35" long 2x4 for Anti-Tip support
- 1/4" copper water line tubing or GE SmartConnect™ Refrigerator Tubing kits
- Water shut-off valve
- Custom panels for fresh food door, freezer drawer and grille panel
- Screws to secure refrigerator to cabinetry.
- Stick-on hook and loop fastener strips for 1/4" side panels

## FLOORING

For proper installation, this refrigerator must be placed on a level surface of hard material that is at the same height as the rest of the flooring. This surface should be strong enough to support a fully loaded refrigerator, or approximately 1,200 lbs.

**NOTE:** Protect the finish of the flooring. Cut a large section of the cardboard carton and place under the refrigerator where you are working.

## GROUNDING THE REFRIGERATOR

**⚠ WARNING**  **Electrical Shock Hazard.**

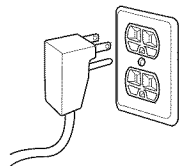
Failure to follow these instructions can result in death, fire, or electrical shock.

The power cord of this appliance is equipped with a 3-prong (grounding) plug which mates with a standard 3-prong (grounding) wall receptacle to minimize the possibility of electric shock hazard from this appliance.

Have the wall outlet and circuit checked by a qualified electrician to make sure the outlet is properly grounded.

Where a standard 2-prong wall outlet is encountered, it is your personal responsibility and obligation to have it replaced with a properly grounded 3-prong wall outlet.

DO NOT, UNDER ANY CIRCUMSTANCES, CUT OR REMOVE THE THIRD (GROUND) PRONG FROM THE POWER CORD.



DO NOT USE AN ADAPTER PLUG TO CONNECT THE REFRIGERATOR TO A 2-PRONG OUTLET.

DO NOT USE AN EXTENSION CORD WITH THIS APPLIANCE.

## MISE À LA TERRE DU RÉFRIGÉRATEUR

**⚠ AVERTISSEMENT**  **Risque de choc électrique.**

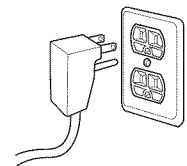
Le non-respect de ces instructions peut entraîner des risques d'incendies, des chocs électriques ou la mort.

Le cordon d'alimentation de cet appareil est équipé d'une fiche à trois broches (pour une mise à la terre) qui s'adapte à la prise de courant standard à 3 broches (pour une mise à la terre) pour minimiser les risques de chocs électriques par cet appareil.

Faites vérifier la prise murale et le circuit électrique par un électricien qualifié pour s'assurer que le système est correctement mis à la terre.

Dans le cas d'une prise biphasée, l'installateur a la responsabilité et l'obligation de la remplacer par une prise triphasée correctement mise à la terre.

NE COUPEZ PAS OU N'ENLEVEZ PAS, SOUS AUCUN PRÉTEXTE, LA TROISIÈME BROCHE DE MISE À LA TERRE DU CORDON D'ALIMENTATION.

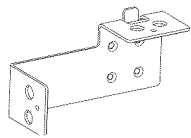
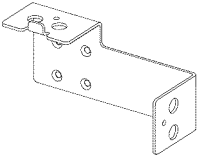
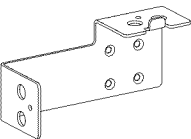
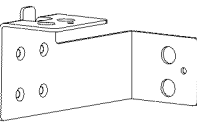
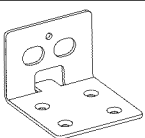
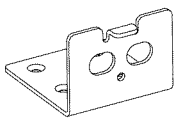
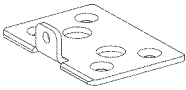

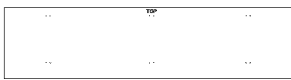

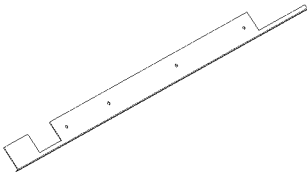


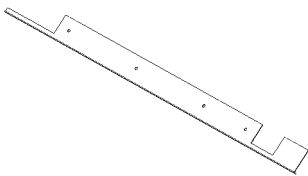
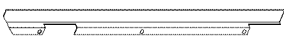
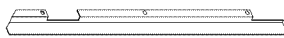
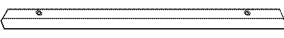

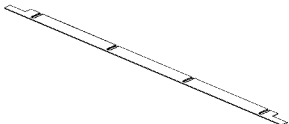
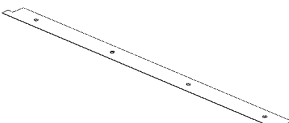
N'UTILISEZ PAS D'ADAPTATEUR POUR BRANCHER LE RÉFRIGÉRATEUR À UNE PRISE BIPHASÉE.

N'UTILISEZ PAS DE RALLONGE AVEC CET APPAREIL.

# Installation Instruction

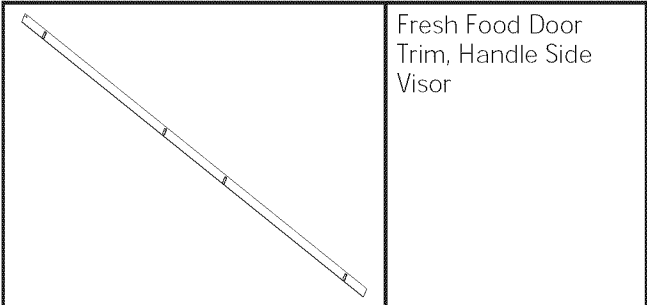
## PARTS IDENTIFICATION:

	Panel Bracket, Top Right RH Door
	Panel Bracket, Bottom Right RH Door
	Panel Bracket, Bottom Left LH Door
	Panel Bracket, Top Left LH Door
	Panel Bracket, Top
	Panel Bracket, Bottom (5)
	Door Bracket (8); Installed on door and drawer
	Fresh Food Door Panel Template
	Grille Panel Template
	Freezer Door Panel Template
	Door Trim Top

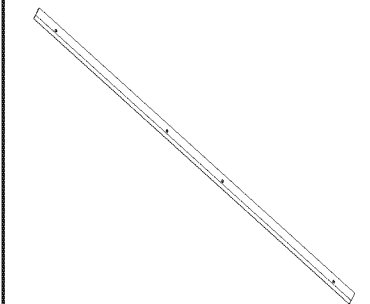
	Door Trim, Bottom
	Freezer Drawer Bracket Rt
	Freezer Drawer Bracket Lt
	Freezer Drawer Trim Rt
	Freezer Drawer Trim Lt
	Freezer Drawer Visor
	Freezer Drawer Top Cover

# Installation Instruction

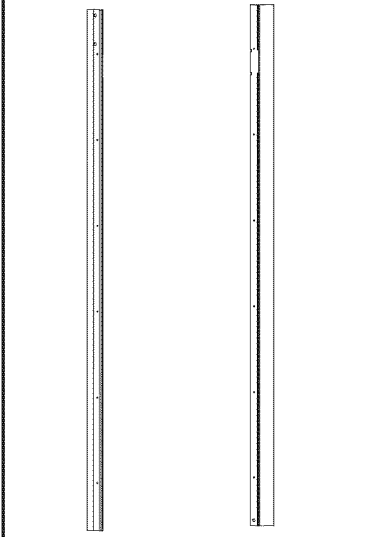
## PARTS IDENTIFICATION:



Fresh Food Door  
Trim, Handle Side  
Visor



Fresh Food Door  
Trim, Handle Side  
Cover



Trim, Case, RH Side

Trim, Case, LH Side

# Installation Instructions

## STEP 1 REMOVE PACKAGING

### **WARNING** Tip Over Hazard.

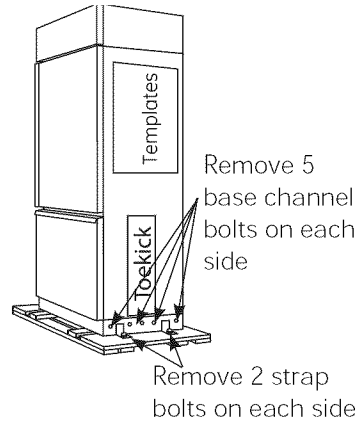
The refrigerator is much heavier at the top than at the bottom—be careful when moving. When using a hand truck, handle from the side only.

### **AVERTISSEMENT** Risque de basculement

Le réfrigérateur est beaucoup plus lourd en haut qu'en bas. Il faut être prudent lors des déplacements. Si un diable est utilisé, il faut soulever le réfrigérateur sur le côté seulement.

- Carefully cut banding at the top and bottom, remove the outer carton.
- Slide out the back corner posts (2).
- Slide the carton off the top of the cabinet.

**NOTE:** IT IS NOT NECESSARY TO LAY THE CABINET DOWN IN ORDER TO REMOVE THE SKID!



- The unit is secured to the skid with 4 slotted tie-down straps. Remove the six 7/16" bolts from the base channels in the tie-downs.
- Remove the six 7/16" bolts securing the straps to the skid.

**NOTE:** DO NOT ATTEMPT TO ROLL UNIT OFF SKID.

- The support blocks on the bottom of the refrigeration case must be removed before the refrigerator is taken off the skid or damage will occur. Carefully tilt the refrigerator and slide the blocks out from beneath.
- Remove the toekick and set aside for final installation.
- Lift the refrigerator off the skid with an appliance dolly. Handle from the sides.

## STEP 2 INSTALL WATER LINE

- A cold water supply is required for automatic icemaker operation. The water pressure must be between 40 and 120 p.s.i.
- Route 1/4" OD copper or GE SmartConnect™ plastic tubing between house cold water line and the water connection location.
- Tubing should be long enough to extend to the front of the refrigerator. Allow enough tubing to accommodate bend leading into the water line connection.

**NOTE:** The only GE-approved plastic tubing is supplied in the GE SmartConnect™ Refrigerator Tubing kits. Do not use any other plastic water supply line because the line is under pressure at all times. Other types of plastic may crack or rupture with age and cause water damage to your home.

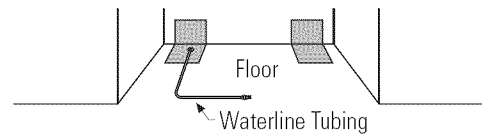
GE SmartConnect™ Refrigerator Tubing Kits are available in the following lengths:

- 2' (.6 m) WX08X10002
- 8' (2.4 m) WX08X10006
- 15' (4.6 m) WX08X1 0015
- 25' (7.6 m) WX08X10025

### **Shut off the main water supply.**

Turn on the nearest faucet long enough to clear the line of water.

- Install a shut-off valve between the icemaker water valve and cold water pipe in a basement or cabinet. The shut-off valve should be located where it will be easily accessible.



- Turn on the main water supply and flush debris. Run about a quart of water through the tubing into a bucket. Shut off water supply at the shut-off valve.

**NOTE:** Saddle type shut-off valves are included in many water supply kits, but are not recommended for this application.

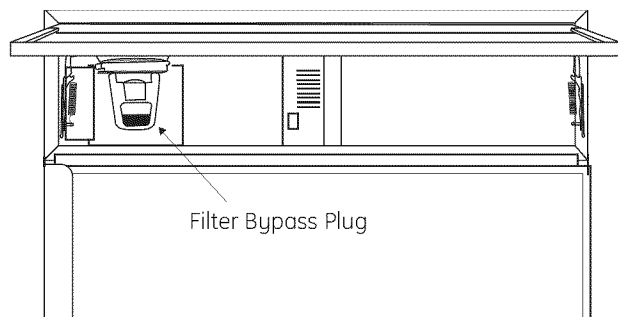
**NOTE:** Commonwealth of Massachusetts Plumbing Codes 248CMR shall be adhered to. Saddle valves are illegal and use is not permitted in Massachusetts. Consult with your licensed plumber.

# Installation Instructions

## STEP 2A WATER LINE INSTALLATION WITH A REVERSE OSMOSIS SYSTEM

Skip this step when not using an RO System

If the water supply to the refrigerator is from a Reverse Osmosis Water System, use the refrigerator's filter bypass plug. Using the refrigerator's water filtration cartridge with the RO filter can result in hollow ice cubes.



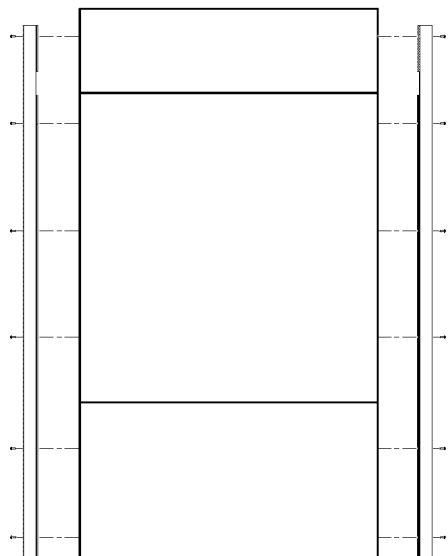
## STEP 3 INSTALL SIDE PANELS

Skip this step when not using side panels

If you are using 1/4" side panels, they should be inserted into the case trim. Fasten the panels to the refrigerator with stick-on hook and loop fastener strips before setting refrigerator in place.

## STEP 4 INSTALL CASE TRIM

Install case trim using supplied right hand and left hand case trim pieces and case trim screws. Attach case trim to each side of case as shown in illustration using case trim screws in holes provided down each side of case.



## STEP 5 ANIT-TIP PROCEDURE

**WARNING**



**Tip Over Hazard.**

These refrigerators are top heavy, especially with any doors open, and must be secured to prevent tipping forward which could result in death or serious injury. Read and follow the entire installation instructions for securing the refrigerator with the anti-tip system.

**AVERTISSEMENT**



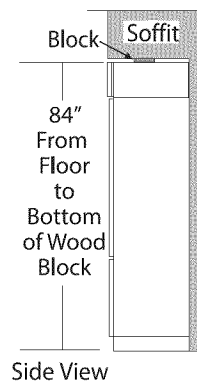
**Risque de**

**basculement**

Ces réfrigérateurs présentent une partie supérieure lourde, en particulier avec une porte ouverte; ils doivent donc être fixés pour prévenir le basculement vers l'avant et le risque concomitant de blessure grave ou fatale. Lisez et suivez les instructions d'installation complètes pour l'installation du système anti-basculement.

## Flush Installation Only

- Cut a 1/2" x 4" block, 35" long.
- Measure and mark under the soffit, 5-1/4" from the front edge of the cabinet.
- Secure the wood block to under the soffit. From the bottom of the block to the finished floor should measure 84". See the illustration.



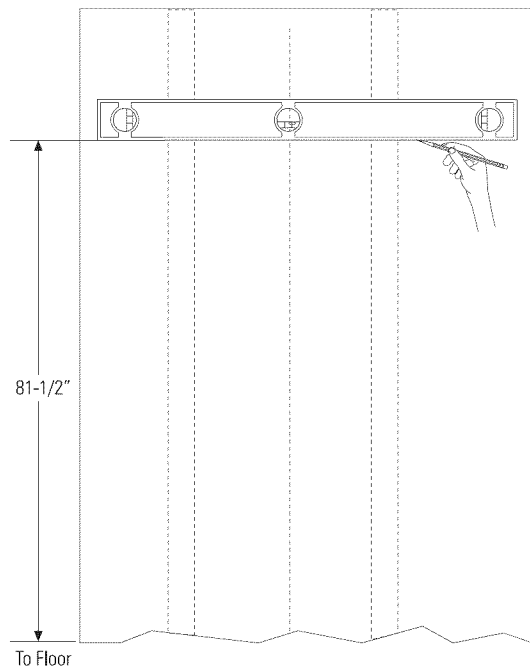


# Installation Instructions

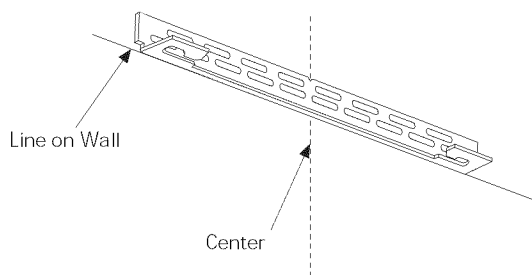
## STEP 5 ANIT-TIP PROCEDURE (CONT)

### Standard Installation Only

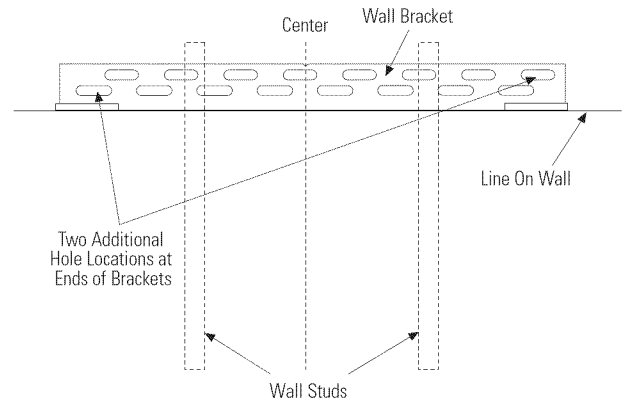
- The kit supplied with the unit contains 2 lag bolts and 4 toggles with bolts. The wall bracket will be attached to the wall in 4 places.
- Measure the opening where the unit is to be installed. Mark the center with a vertical line.
- Measure up 81 1/2" from the floor. Mark this point on the wall.
- Using a level, draw a horizontal line on the wall at this height.



- Locate at least 2 studs on the back wall. Mark these points on the horizontal line.
- Place the bottom of the wall bracket with tabs on the horizontal line. Align the center notch on the bracket with the center line on the wall.



- The anti-tip wall bracket has a series of holes. Select 2 holes that match with the located studs. Make sure the holes selected are on the center of the studs. Mark the wall at these points.
- Mark an additional hole at each end of the bracket. If one of the studs is closer to the end of the bracket, mark an additional hole towards the center of the bracket.

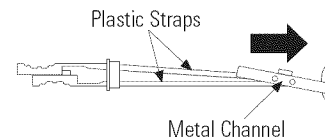


- Drill 1/2" holes into the wall board at the locations marked for the toggles to be mounted (not the stud markings).
- Drill 3/16" holes into wooden studs where marked. If steel stud construction, drill 1/2" holes into the studs where marked. You will use 2 toggles with the metal studs.

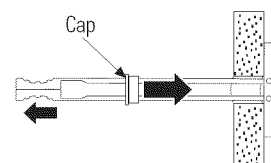
### Install Wall Toggles:

The wall toggles and bolts can be ordered as Service Kit #WR49X10193. Wall toggles are installed in the drywall and metal studs for stability. Install the wall toggles as follows:

- Drill 1/2" holes at the wall markings made in the holes at the ends of the wall bracket.
- Hold the metal channel flat against the plastic straps and slide the channel through the hole.



- Gently pull back at the ends of the plastic straps to make the channel rest flush behind the wall.
- Hold the ends of the straps in one hand and slide the plastic cap along the straps until the flange of the cap is flush with the wall.

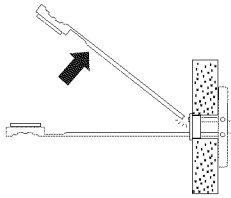


# Installation Instructions

## STEP 5 ANIT-TIP PROCEDURE (CONT)

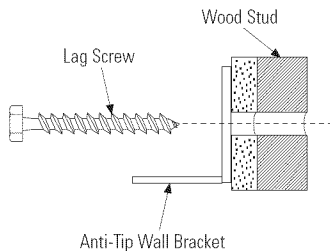
### Standard Installation Only (Cont)

- Place your thumb between the plastic straps and bend up and down to snap the straps off at the wall.

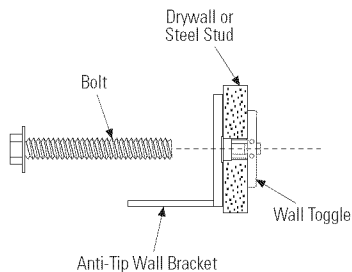


### Install Screws and Bolts:

- Have someone hold the wall bracket centered in place with each of the holes aligned with the correct opening in the bracket and level with the horizontal line.
- Insert the lag screws through the bracket and into the stud. Tighten with a wrench.



- Insert the bolts into the toggle by hand until snug. Tighten with a wrench.



## CONNECT POWER CORD:

- Before pushing the refrigerator into the opening, plug the power cord into the receptacle. Open the grille panel and reach into the opening at the back to grasp the power cord. Pull the power cord into the opening as you push the refrigerator back.
- Gently push refrigerator into the opening with hands against front corners.

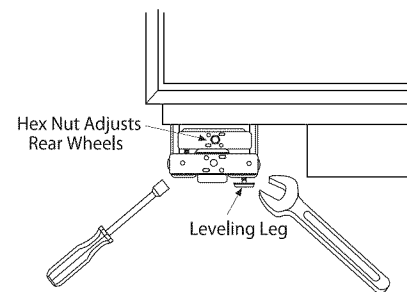
**IMPORTANT NOTE FOR STANDARD INSTALLATION:** When the refrigerator is installed under a soffit or if there is not enough height for this method of security, brackets cannot be used. Proceed to step 6 to level the refrigerator and then to step 8 to secure refrigerator to cabinets. See step 9 if you have metal wall studs. The refrigerator must be secured to prevent tipping.

## STEP 6 LEVEL REFRIGERATOR

All models have 4-point leveling. The front is supported by leveling legs, the rear is supported by adjustable wheels. Both are accessible from the front of the refrigerator.

- To level the back of the refrigerator, turn the 7/16" hex nut located above the front wheels. Turn clockwise to raise or counterclockwise to lower the refrigerator.
- For front leveling, use a 1-1/4" open-end wrench.
- Adjust height of refrigerator to match installation cutout opening 83-1/2 to 84-1/2". The refrigerator should be level and plumb with cabinetry.

**NOTE (Flush Installation Only):** Raise refrigerator until the case top comes in contact with the 1/2" spacer block mounted to the underside of the cabinet soffit. Refrigerator should be level at fully raised position.



### CAUTION

The rear leveling wheels and front leveling legs are limited to a maximum height adjustment of 1". If the installation requires more than 84-1/2" height, the installer should elevate the refrigerator on a sheet of plywood or runners. Cabinetry trim could also be added across the top of the opening to shorten the opening. If you attempt to raise the refrigerator more than 1", you will damage the front leveling legs and the rear leveling wheels.

### ATTENTION

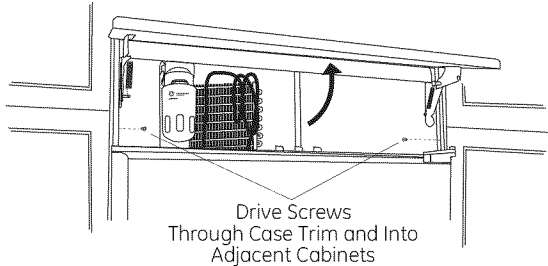
Les roues de nivellement arrière et les pattes de nivellement avant permettent un réglage maximal de 25 mm (1 po). Si l'ouverture pour le réfrigérateur a une hauteur supérieure à 2,15 m (84-1/2 po), l'installateur doit élever le réfrigérateur sur une feuille de contre-plaqué ou des glissières. Il est également possible d'ajouter des baguettes de finition des placards sur le haut de l'ouverture afin de la réduire. Lever le réfrigérateur de plus de 25 mm (1 po) endommage les pattes de nivellement avant et les roues de nivellement arrière.

# Installation Instructions

## STEP 7 SECURE REFRIGERATOR TO CABINETRY - FLUSH INSTALLATION ONLY

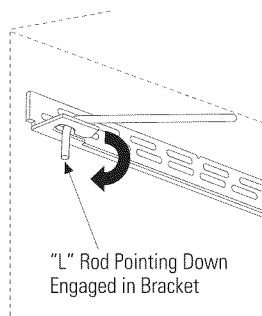
The refrigerator must be secured to prevent tipping.

- Drill hole in trim and drive screw through the trim into adjacent cabinet.
- Follow the same procedure on the opposite side.
- Drill a hole in the case top and drive a screw through the top into the adjacent 1/2" block.



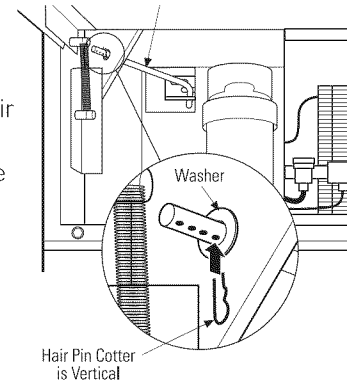
## STEP 8 SECURE UNIT TO WALL - STANDARD INSTALLATION ONLY

- The "L" rod can be found in the upper left corner of the unit in the access compartment. Look through the access compartment to make sure the rod lines up with the anti-tip bracket.
- There are 2 washers and a hair pin cotter with the rod. Remove the washers and hair pin cotter from the end of the rod.
- Rotate and move the "L" rod into the slot in the anti-tip bracket tab. Once it is in the slot, rotate the "L" rod so the hook portion is pointing down. The holes at the front end of the rod should be in a vertical position.
- Pull out on the end of the rod to make sure it is secure in the bracket.
- Locate the hole on the rod that is closest to the unit. A hair pin cotter will be put through this hole to secure the rod. If this hole appears to be too far away for a snug fit against the unit, add the washers one at a time until the pin will fit tightly into the hole.
- Align the straight section of the pin with the hole from the underside of the rod. Push the pin up until it snaps into position. Pliers may be used. **NOTE:** The hair pin cotter must be vertical when this step is completed to ensure the "L" rod is engaged in the bracket.



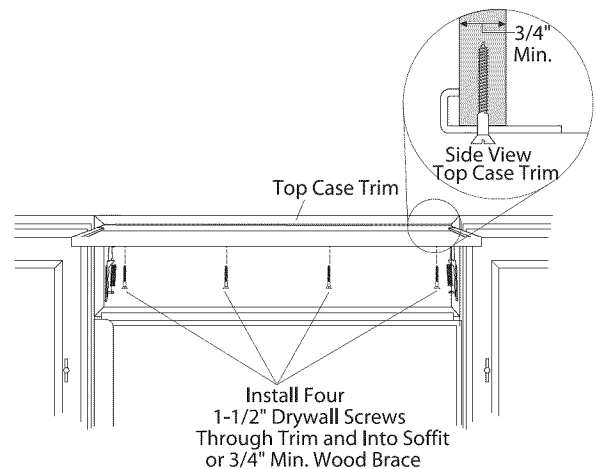
## STEP 8 SECURE UNIT TO WALL - STANDARD INSTALLATION ONLY

- Check the rod for tightness by pulling forward. If the rod moves, remove the hair pin cotter and place another washer on the rod. Reinsert the pin.



## STEP 9 ALTERNATE ANTI-TIP PROCEDURE

The refrigerator must be secured to prevent tipping. The anti-tip brackets cannot be used on metal wall studs. Use this Alternate Procedure to secure the refrigerator against tip-over whenever metal wall studs are encountered and there is no soffit.



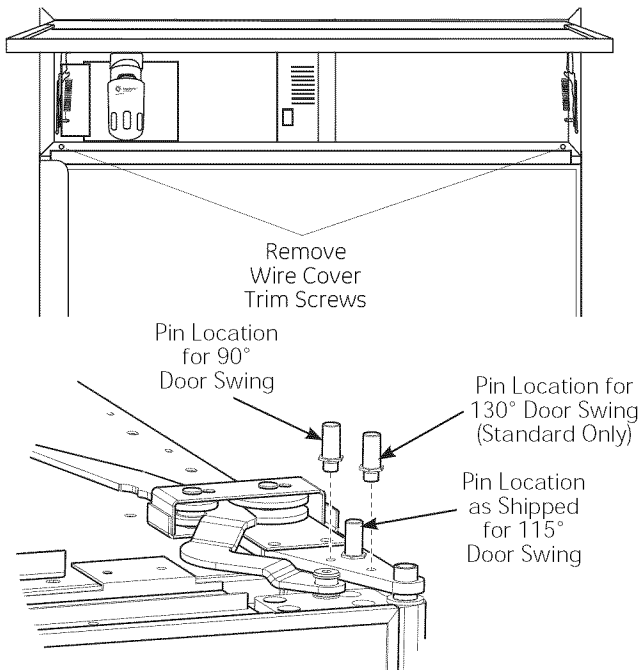
- Raise the grille panel to access case trim.
- Use a 3/16" bit to drill four evenly spaced clearance holes through the metal top case trim.
- Use a 1/16" bit to drill to pilot holes through the metal clearance holes and into the wood soffit. The holes should be centered in the soffit or a 3/4" min. wood brace. The brace spanning the enclosure must be securely fastened to cabinets on both sides.
- Install four, 1-1/2" drywall screws into the pilot holes.

# Installation Instructions

## STEP 10 ADJUST DOOR SWING

**NOTE:** This refrigerator has a 3-position door stop. When space does not allow the door to swing open fully to 115°, you may change the door swing to a 90° opening. A 130° door swing is available for standard installation only. If used for flush installation, damage will occur to wood panels. **Skip this step if door opening is satisfactory for your installation situation.**

- Lift the grille panel to access the wire cover trim.
- Remove screws on both sides of the wire cover trim and rotate off.
- Use pliers to unscrew door stop and reinstall into the 90° or 130° (standard only) position.



- Reinstall the wire cover trim.

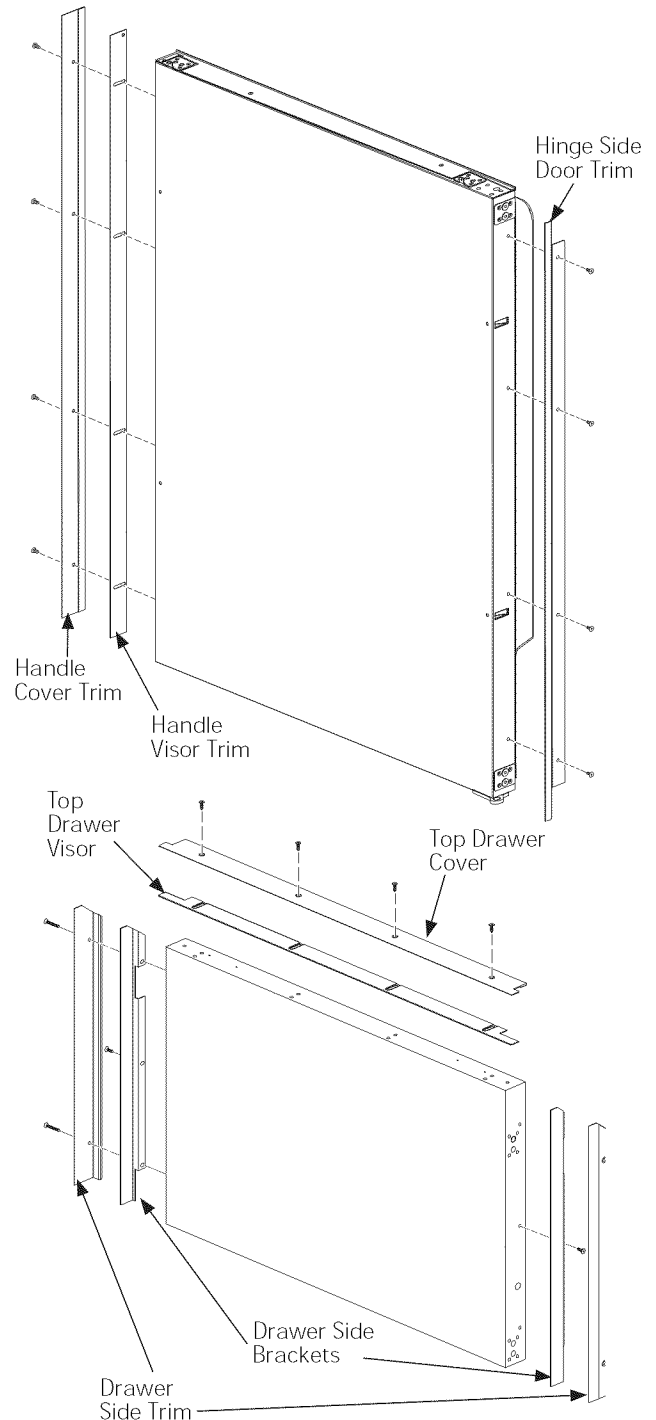
## STEP 11 REMOVE DOOR TRIM - FLUSH INSTALLATION ONLY

Use the supplied Torx wrench or T10 Torx head driver to remove all exposed trim screws securing aluminum trim to refrigerator doors. Save all trim and screws as they will be replaced in a later step.

1. Remove 4 screws and trim from the hinge side of the door.
2. Remove 4 trim screws on vertical handle side of the door to release handle cover trim. Remove the handle cover trim to expose handle visor trim underneath.
3. Remove 4 additional trim screws from handle visor trim. Once screws have been removed, remove handle visor trim.
4. Remove 2 screws and trim from each side of the drawer. These screws are longer than the other trim screws. Make sure these are used when reinstalling side trim to drawer.

## STEP 12 REMOVE DOOR TRIM - FLUSH INSTALLATION ONLY (Cont)

5. Remove 1 screw and side brackets from each side of the drawer.
6. Remove screws and drawer cover from top of the drawer.
7. Remove screws and visor from top of the drawer.



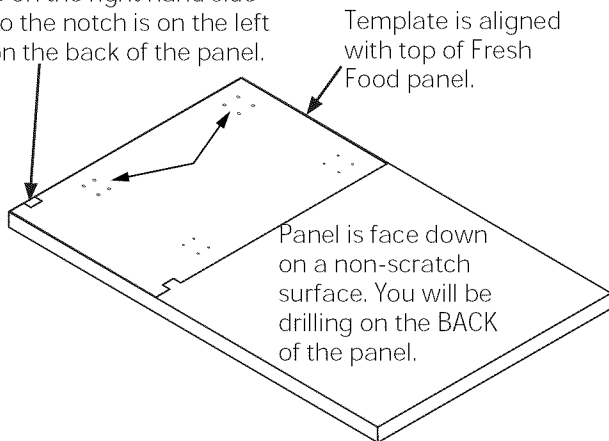
# Installation Instructions

## STEP 12 LAYOUT DECORATIVE DOOR PANELS - FLUSH INSTALLATION ONLY

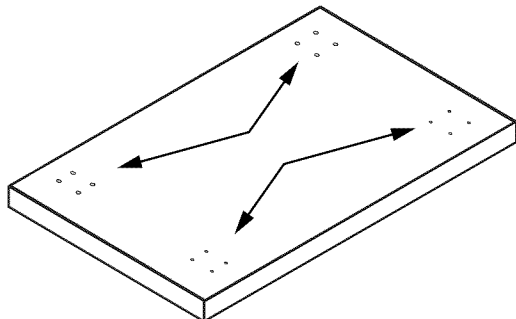
Decorative wood panels must be cut to a thickness of 3/4". The dimensions of each panel can be determined by referring to the specs provided with refrigerator. Panels must be predrilled to prevent accidental splitting or cracking of wood when attaching to door brackets in the next step.

1. Cut Freezer Drawer and Fresh Food Door panels to specified dimensions (as noted on page 11 under Design Guide).
2. Lay the Freezer and Fresh Food panels face down on a non-scratch surface.
3. Mark a vertical centerline on the backside of the Freezer and Fresh Food panels.
4. Lay supplied Fresh Food Door panel TEMPLATE (attached to side case of refrigerator) on the back of the Fresh Food panel with the lettering face up. See illustration to ensure proper template has been selected. Make sure the notch at the top is on the side opposite the hinges (since this is the BACK of the panel). Align the top, side, and centerline of the template with the top, side and centerline of the door. Tape the template to the panel using masking tape to temporarily secure it in place.

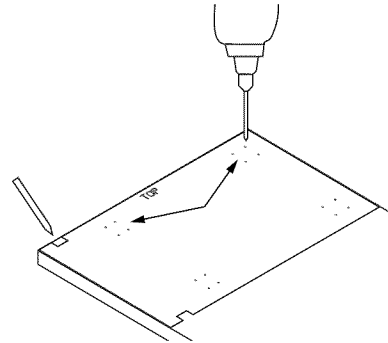
The hinge in this example is on the right hand side so the notch is on the left on the back of the panel.



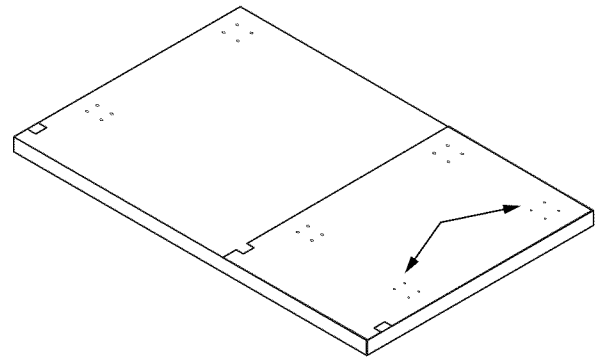
5. Repeat previous step on the Freezer Drawer panel using the Freezer Drawer panel template.



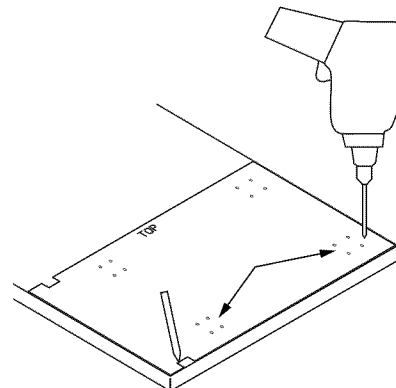
6. Using a 1/8" wood drill bit, drill pilot holes 1/4" deep through **only the top group of holes** in the Fresh Food Door panel template. Drill all four sets of holes into the upper and lower corners of the Freezer Drawer panel.



7. Using a pencil, trace the outline of the notch out of the template at the top corner of the Fresh Food door. This mark will provide a guide for routing wood to provide relief for door hinge at top of door panel.
8. Remove the tape from each panel. Slide the Fresh Food door template to the bottom of the door panel aligning the bottom, sides, and centerline of the panel with the bottom, sides and centerline of the templates. Tape in place.



9. Using a 1/8" wood drill bit, drill pilot holes into the door panels 1/4" deep through **only the bottom group of holes** in the Fresh Food Door panel template. Four holes will be drilled into the bottom corners of each door.



# Installation Instructions

## STEP 12 LAYOUT DECORATIVE DOOR PANELS - FLUSH INSTALLATION ONLY (Cont.)

- Using a pencil, trace the outline of the notch out of the template at the bottom corner of each door. This mark will provide a guide for routing wood to provide relief for door hinge at bottom of door panel.
- Route out the traced areas on the rear of each panel 1/4" deep and discard the door panel templates.

### Preparation for handles

- Lay out the location of the custom handle on the back of the Fresh Food Door panel and the Freezer Drawer panel.
- Counter-sink the handle screw locations on back of the pane to avoid interference with the door frame. Countersink 1/4" to maintain 1/2" minimum material thickness.

## STEP 13 ATTACH BRACKETS TO FRESH FOOD PANEL- FLUSH INSTALLATION ONLY

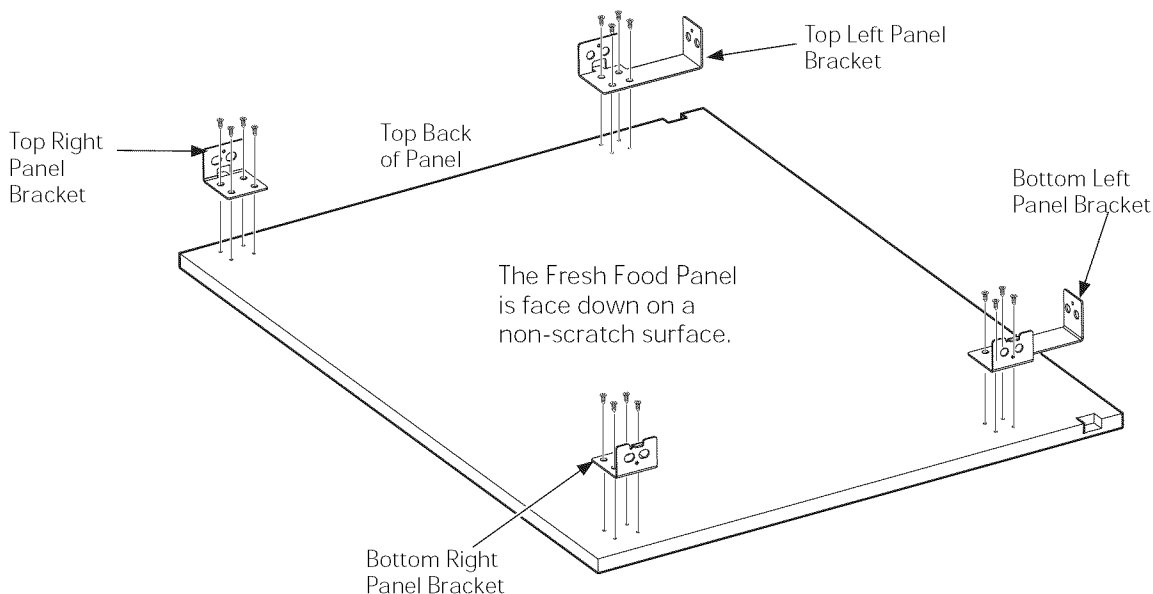
Locate wood panel brackets and wood panel screws in Flush Inset Hardware Kit located inside a drawer in the refrigerator. These brackets will install to the back of the decorative wood panels to provide attachment to refrigerator door brackets already installed on the door and drawer.

**For LH Door (hinges on the left side when facing refrigerator)**

- Align the four tapered holes in the **top left hand panel bracket** with the four pilot holes at the top hinge side of the Fresh Food panel making sure the angled portion of the bracket is facing the perimeter of the door. Fasten the bracket using four screws.
- Align the four tapered holes in the **bottom left hand panel bracket** with the four pilot holes at the bottom hinge side of the Fresh Food panel making sure the angled portion of the bracket is facing the perimeter of the door. Fasten the bracket using four screws.

- Align the four tapered holes in one of the **top panel brackets** with the four holes in the top of the Fresh Food panel. Fasten the bracket using four screws.
- Align the four tapered holes in one of the **bottom panel brackets** with the four holes in the bottom of the Fresh Food panel. Fasten the bracket using four screws. Repeat with the Fresh Food panel.
- Install the custom handle on the front side of the door panel. A washer should be used in the countersink hole on the back of the panel.

**For RH Door panels (hinges on the right side when facing refrigerator), follow these same procedures except using the *top right hand panel bracket* and *bottom right hand panel bracket* on the hinge side of the panel.**

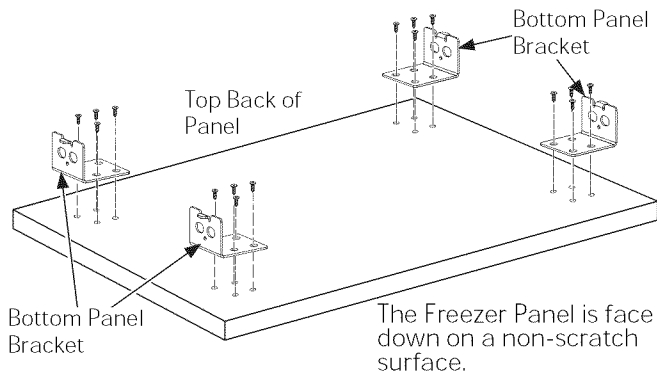


# Installation Instructions

## STEP 14 ATTACH BRACKETS TO FREEZER DRAWER PANEL- FLUSH INSTALLATION ONLY

The Freezer Drawer panel will have 4 of the **bottom panel brackets** installed in 4 places on the back of the panel.

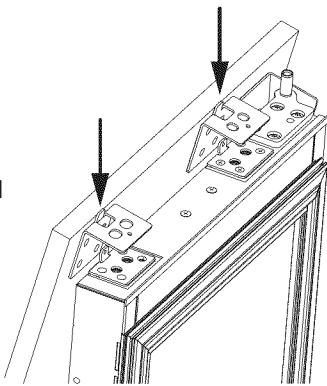
1. Align the four tapered holes in 1 **bottom panel bracket** with the four pilot holes in one corner of the Freezer Door panel making sure the angled portion of the bracket is facing the closest edge, left or right, of the panel. Fasten the bracket using four screws.
2. Repeat with the other 3 **bottom panel brackets** in the 3 remaining corners.
3. Install the custom handle on the front side of the door panel. A washer should be used in the countersink hole on the back of the panel.



## STEP 15 HANG DECORATIVE DOOR AND DRAWER PANELS- FLUSH INSTALLATION ONLY

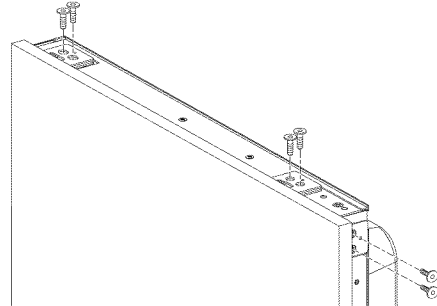
Panels with attached brackets will mate with steel brackets already attached to top, sides, and bottom of refrigerator door and freezer drawer. Each bracket attached to the door and drawer will have two machined screws recessed inside the door to provide anchoring points for wood panel brackets.

1. Lift the door panel to hang the panel on the door. Angle the bottom of the panel slightly away from the door. The brackets mounted at the top of the door panel will lay over the top of the brackets mounted at the top of the door. Allow the flanges of the door brackets to slide into the slot at the top of the panel brackets and gently allow the bottom edge of the panel to lay against the door as it hangs freely.

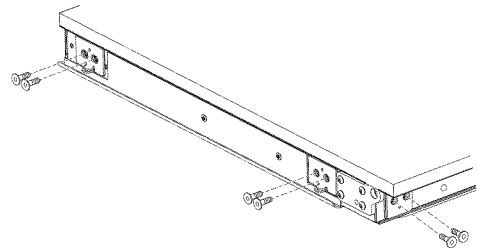


## STEP 15 HANG DECORATIVE DOOR AND DRAWER PANELS- FLUSH INSTALLATION ONLY (Cont.)

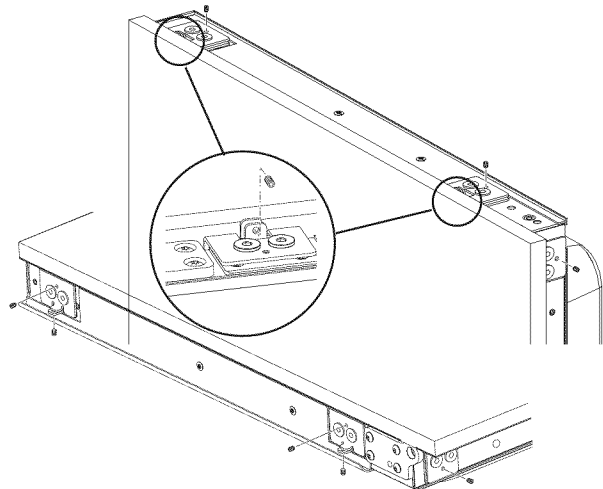
2. Adjust the panel on the door by pushing it flush against the door.
3. Using supplied washer-head screws, secure panel brackets mounted to the rear of the wooden panels to the refrigerator door; top, side and bottom.



Each screw should be tightened until snug, and then backed off 2-3 turns to allow for fine tuning adjustment. **NOTE: If screws are fully tightened at this stage, further panel adjustment will not be possible.**



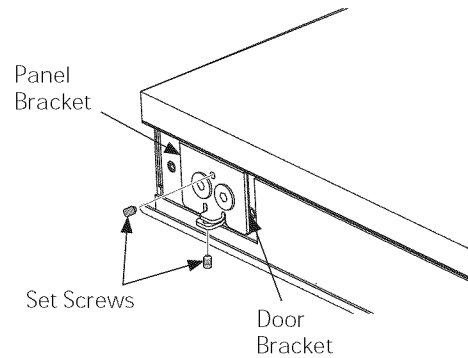
4. Thread set screws into each of the panel brackets attached to the doors. Hinge side brackets will have 2 set screws each, going into the door. The handle side brackets will each have 1 set screw going into the door. Each panel bracket has a tab that is aligned with a tab on the door bracket. Each of these will have a set screw threaded into them (see illustration).



# Installation Instructions

## STEP 15 HANG DECORATIVE PANELS- FLUSH INSTALLATION ONLY (Cont.)

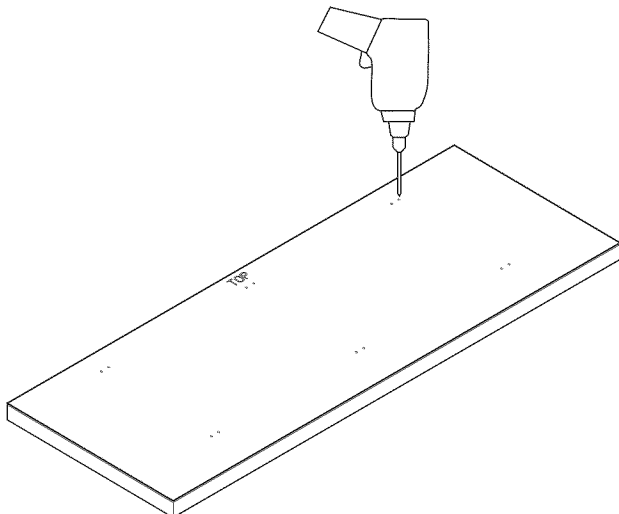
5. Lift the decorative panel to hang the panel on the Freezer Drawer. Make sure it is oriented correctly (top is up).
6. Align the brackets on the panel with the brackets on the door and push into place.
7. Using supplied washer-head screws, secure panel brackets mounted on back of the wooden panels to the drawer. These are located on the left and right sides of the drawer.
8. Thread set screws into each of the panel brackets attached to the doors. Each bracket will have 2 set screws threaded into it (see illustration).



## STEP 16 LAYOUT DECORATIVE GRILLE PANEL- FLUSH INSTALLATION ONLY

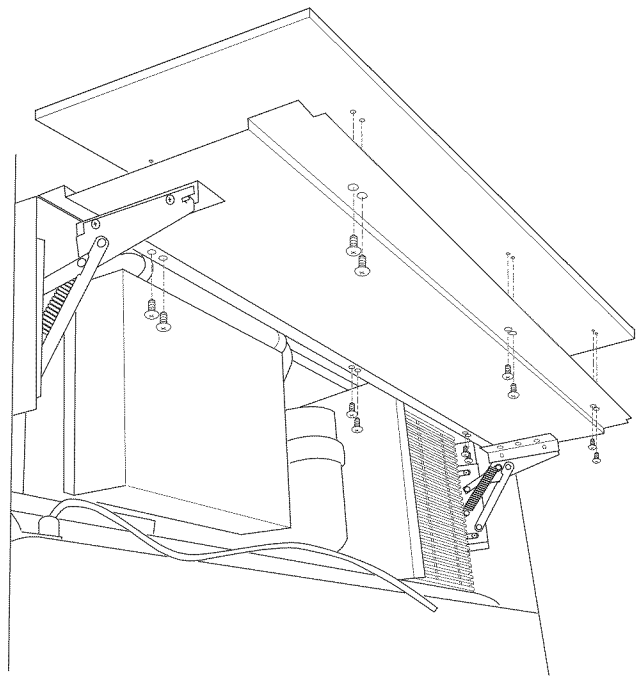
Grille area will also have decorative wood panel attached to installed steel bracket. Pilot holes are necessary to prevent splitting and cracking of wood panel.

1. Cut wooden grille panel to specified dimensions as noted on page 11.
2. Lay the grille panel face down on a non-scratch surface.
3. Mark a vertical centerline on the back side of the grille panel.
4. Lay supplied TEMPLATE to the back of the grille panel with the lettering face up. Align the top, side, and centerline of the template with the top side and centerline of the door. Tape the template in place using masking tape.
5. Using a 1/8" wood drill bit, drill pilot holes into the grille panel 1/4" deep.
6. Remove tape and discard template.



## STEP 17 INSTALL GRILLE PANEL- FLUSH INSTALLATION ONLY

1. Pull grille panel bracket in an outward motion allowing it to swing out and up to the fully open position.
2. Lay the grille panel on top of the grille panel bracket and align the pilot holes with the bracket holes from the underside.
3. Fasten the grille panel to the grille panel bracket using provided screws in bracket hardware kit.





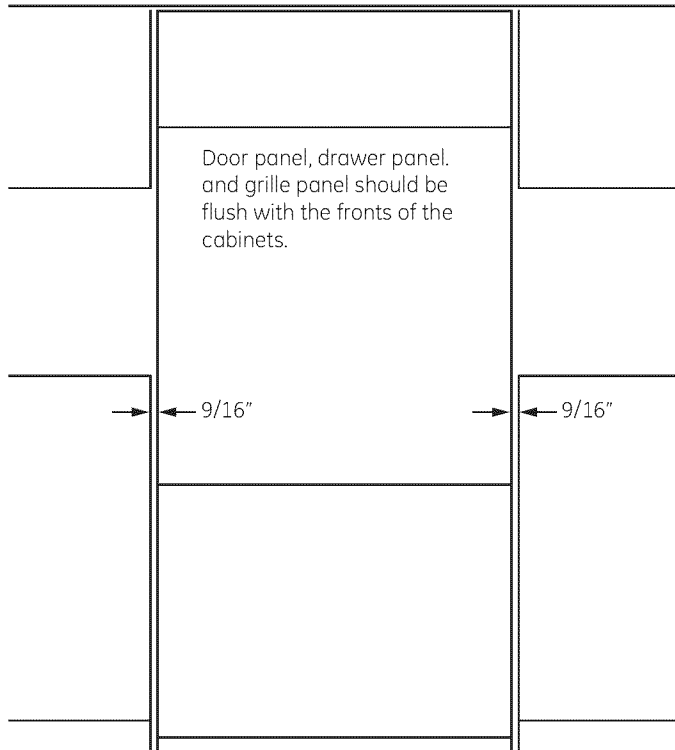
# Installation Instructions

## STEP 18 ADJUST DECORATIVE PANELS- FLUSH INSTALLATION ONLY

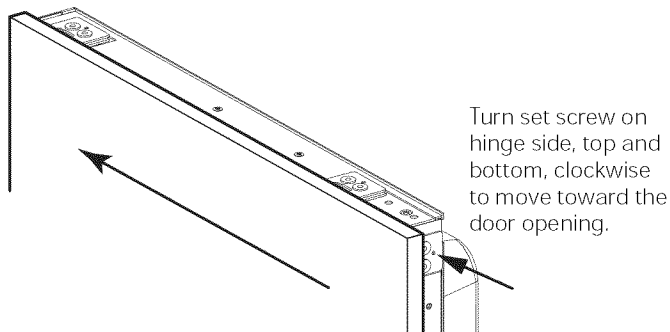
The panel can be adjusted approximately 1/8" both left and right, up and down, as well as outward from the door to provide planar appearance with cabinets.

**NOTICE:** Misaligned panels from incorrect drilling or incorrect cut dimensioning may result in less possible adjustment as well as possible interferences with other attached panels and/or hardware.

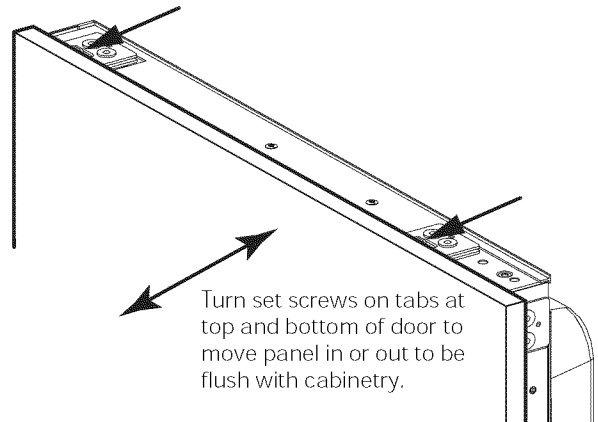
1. The gap between the outside edge of the decorative panels and the cabinet opening should be 9/16". Adjust panel until specified gap is maintained.



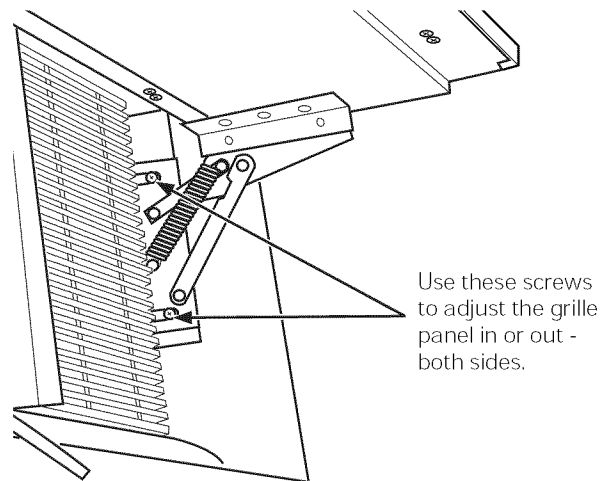
2. Turn the set screw at the hinge side (top and bottom) of the refrigerator clockwise to adjust the door panel toward the edge of the door opening. Check the gap by closing the door. Use this same process on the freezer drawer.



3. Check that the door panel is in plane with the face of the cabinets. The panel can be adjusted outward by turning the set screw threaded into the tab of the door bracket at the top and bottom of the door clockwise until the face of the panel is in the same plane as the cabinetry. Use this same process on the freezer drawer.



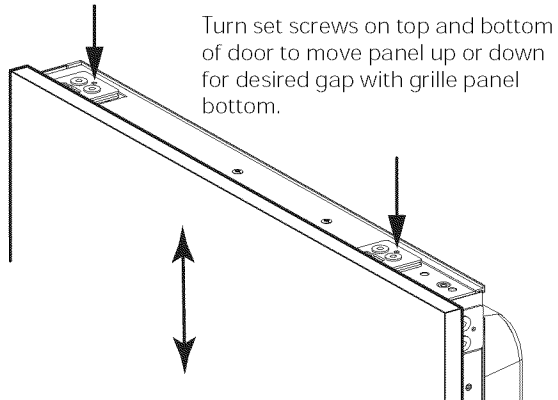
4. Check the flushness of the panel with the cabinetry. If the grille is not flush, adjustments can be made by loosening the screws in the slots on the hinge and moving the panel in or out. Once all adjustments are made, retighten screws and close the grille.



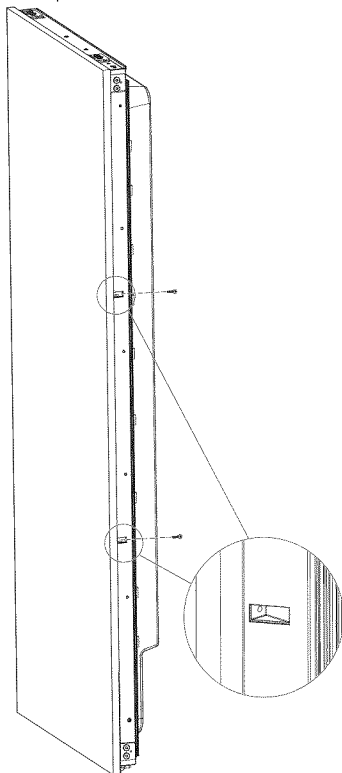
# Installation Instructions

## STEP 18 ADJUST DECORATIVE PANELS- FLUSH INSTALLATION ONLY (Cont)

5. Make the final vertical adjustment of the panels. Using the set screw at the top of the door and drawer, turn clockwise until the desired gap between the grille panel bottom and top panel of the door and the door panel bottom and the top of the freezer drawer appears satisfactory.

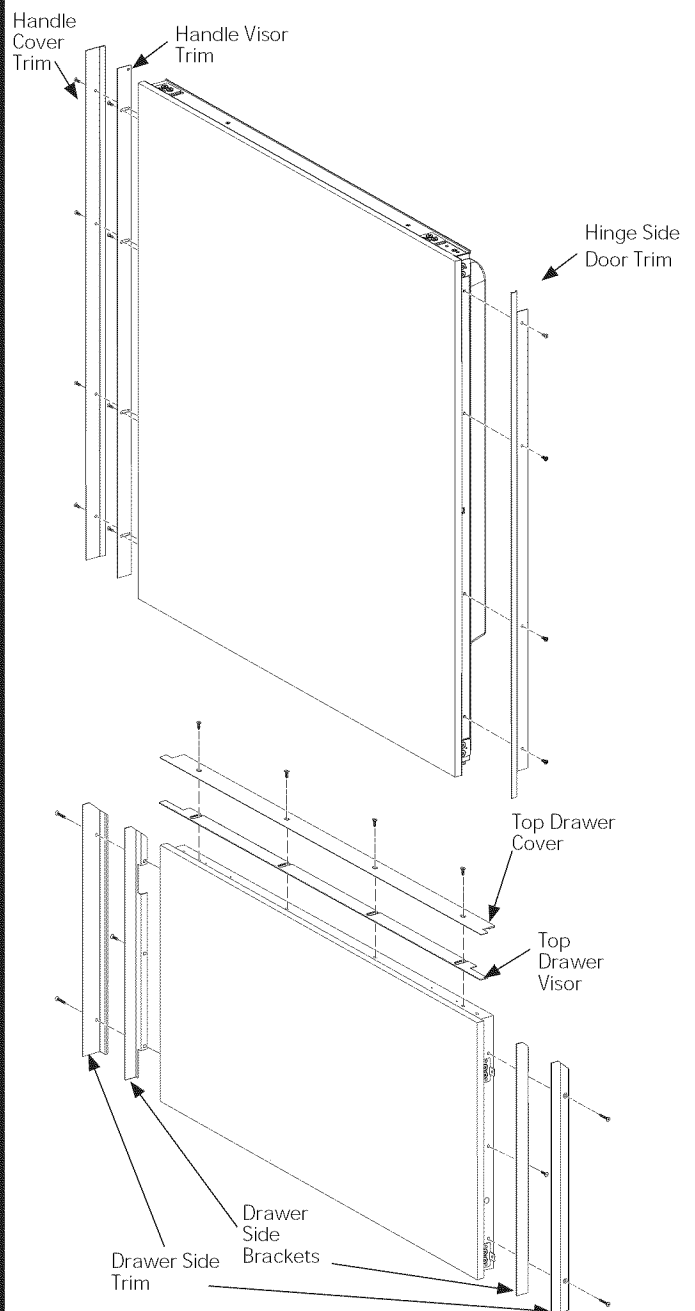


6. Tighten all washer-head screws (**NOT SET SCREWS**) firmly to secure brackets and adjustments in place. Start with bottom edge washer-head screws to provide support of the door panel. Next, moving on to top edge to prevent panel from moving from aligned position. Finish by tightening hinge side washer-head screws. **NOTE:** Over-tightening washer-head screws may result in bending wood panel brackets as well as misaligning wood door panels.
7. Drive the door anchor screws through the two white plastic pockets in the side of each door and into the door panel (4 each door) to prevent panel warping over time.



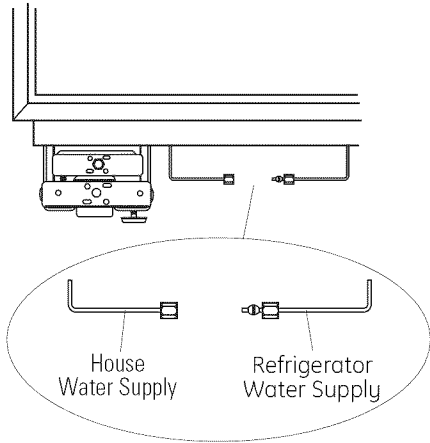
## STEP 19 REPLACE TRIM- FLUSH INSTALLATION ONLY

1. Replace trim and 4 screws on hinge side of the door.
2. Replace handle visor trim and four screws on the handle side of the door.
3. Replace trim cover and 4 screws over visor trim on the handle side of the door.
4. Replace the visor trim and top cover to the top of the drawer using 4 screws.
5. Replace the side brackets to each side of the drawer using 1 screw per side.
6. Using 4 screws per side, replace the side trim to each side of the drawer.



# Installation Instructions

## STEP 20 CONNECT WATER SUPPLY



- Locate and bring tubing to the front of the cabinet.
- Turn the water on to flush debris from line. Run about a quart of water through tubing into a bucket, then shut off water.

### Copper Tubing:

- Slip a 1/4" nut and ferrule (provided) over both ends of the copper tubing. Insert tube into the union fitting on the unit and tighten nut to union.
- Turn on the water to check for leaks.

### GE SmartConnect™ Tubing:

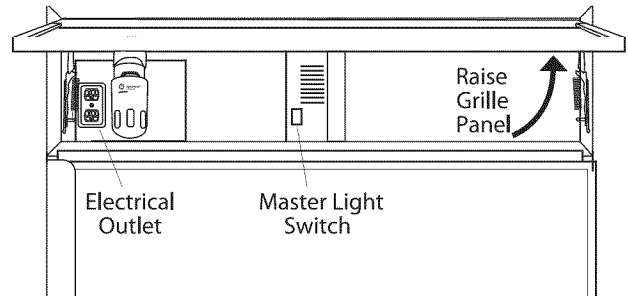
**NOTE:** The only GE-approved plastic tubing is supplied in the GE SmartConnect™ Refrigerator Tubing kits. Do not use any other plastic water supply line because the line is under pressure at all times. Other types of plastic may crack or rupture with age and cause water damage to your home.

- Insert the molded end of the tubing into the refrigerator connection. Tighten the compression nut until it is just hand tight.
- Tighten one additional turn with a wrench. Overtightening can cause leaks!
- Turn on the water to check for leaks.

**Note:** Make sure excess tubing length does not interfere with drawer closing or toekick installation.

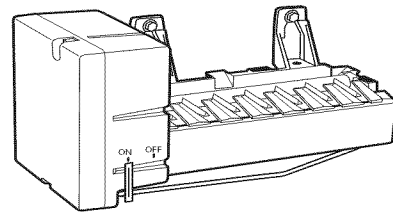
## STEP 21 CONNECT POWER

- Check to be sure the power cord is plugged into the receptacle.



- Check to make sure power to refrigerator is on by opening refrigerator door to see if interior lights are on.
- The temperature controls are preset at 37°F for the fresh food section and 0°F for the freezer.
- Allow 24 hours to stabilize before making adjustments.

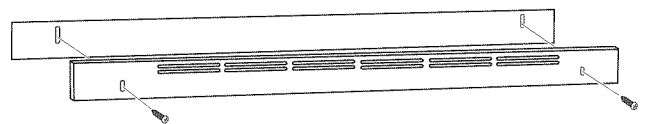
## STEP 22 START ICEMAKER



- Flip the switch to I (ON). The icemaker will begin operation automatically.
- Be sure nothing interferes with the sweep of the feeler arm.
- Discard the first full bucket of ice cubes.
- To turn the icemaker off, set the switch to O (OFF).

## STEP 23 INSTALL TOEKICK

- Locate the supplied toekick (shipped taped to the side of the refrigerator). Install the toekick assembly with the 2 screws provided, adjust to the desired height and tighten the screws.



**IMPORTANT:** A custom toekick can be installed to match or complement the surrounding cabinetry but can NOT cover the horizontal vent slots of the factory toe kick.

**NOTE:** While performing installations described in this book, safety glasses or goggles should be worn.

**For Monogram® local service in your area, call 1.800.444.1845.**

**NOTE:** Product improvement is a continuing endeavor at General Electric. Therefore, materials, appearance and specifications are subject to change without notice.

Pub. No. 31-49063-2
Part No. 224D3095P002

01-15 GE



**GE**  
**Appliances**  
Appliance Park  
Louisville, KY 40225  
[GEAppliances.com](http://GEAppliances.com)