

INSTALLATION INSTRUCTIONS FOR YOUR NEW 24" BUILT-IN OVEN

Before you begin - Read these instructions completely and carefully.

IMPORTANT - Save these instructions for local inspector's use.

IMPORTANT - OBSERVE ALL GOVERNING CODES AND ORDINANCES.

Note to Installer - Be sure to leave these instructions with the Consumer.

Note to Consumer - Keep these instructions with your Use and Care Book for future reference.

FOR YOUR SAFETY

Be sure your oven is installed properly by a qualified installer or service technician.

- Be sure the oven is securely installed in a cabinet that is firmly attached to the house structure. Weight on the oven door could cause the oven to tip resulting in serious personal injury or death. Never allow anyone to climb, sit, lean, stand, or hang on the oven door.
- The wall coverings, countertop and cabinets around the oven should be able to withstand the heat (up to 200°F) generated by the oven.

TOOL LIST

- 1/8" Drill Bit
- Electric or Hand Drill
- Flat Blade screwdriver
- Ruler
- Hand or saber saw
- Pencil

LOCATION

Cabinet space must be provided to enclose the recessed part of your built-in oven. **SINGLE OVEN INSTALLATION** — See Figure 1 for all necessary dimensions. **DOUBLE OVEN INSTALLATION** — See Figure 2 for all necessary dimensions. It is best to make a template to insure accurate cutting. Place the bottom of the template on a level base line, above the floor. See dimension E in Figure 1 (Single Oven) or Figure 2 (Double Oven).

It is important that the oven be installed at or above the minimum height specified. The unit has been tested and approved, in accordance with safety standards, at this height.

ELECTRICAL REQUIREMENTS



CAUTION: The electrical power to the oven supply line must be shut off while connections are being made. Failure to do so could result in serious injury or death.

This appliance must be supplied with the proper voltage and frequency, and connected to an individual, properly grounded branch circuit, protected by a circuit breaker or fuse having amperage as noted on rating plate. (Rating plate is located on oven frame.)

We recommend you have the electrical wiring and hookup of your oven done by a qualified electrician. After installation, have the electrician show you where your main range disconnect is located.

Check with your local utilities for electrical codes which apply in your area. Failure to wire your range according to governing codes could result in a hazardous condition. If there are no local codes, your range must be wired and fused to meet the requirements of the National Electrical Code, ANSI/NFPA No. 70-Latest Edition. You can get a copy of the National Electrical Code, ANSI/NFPA NO. 70-Latest Edition by writing:

National Fire Protection Association
Battery March Park
Quincy, MA 02269

Effective January 1, 1996, the National Electrical Code requires that new, but not existing, construction utilize a 4 conductor connection to an electric range. When installing an electric range in new construction, follow the instructions in **NEW CONSTRUCTION AND FOUR-WIRE CORD CONNECTION KIT**.

You must use a three-wire, single-phase A.C. 208Y/120 Volt or 120/240 Volt, 60 Hertz electrical system. If you connect to aluminum wiring, properly installed connections approved for use with aluminum wiring must be used.

PREPARE OPENING

Fig. 1 — SINGLE OVEN

NOTE: Locate an approved junction box in the suggested location, a minimum of 23 7/8" above the runners.

Be sure the oven support is solid enough to support 90 pounds. Also be sure the oven support is level and straight. There is no way to level the oven after installation.

If a solid bottom is used instead of runners, a 6" x 10" rectangle must be cut out of the bottom (See Fig. 1) for optimum performance and proper air circulation.

DIMENSIONS

- A. Cabinet Width - 24"
- B. Cutout Width - 22 1/2"
- C. Cutout Height - 27 5/8" Min. 28 1/8" Max.
- D. Cutout Depth - 23 1/2" Min.
- E. Cutout Location - 32 1/2"
- H. Overall Height - 28 3/16"
- W. Overall Width - 23 3/4"

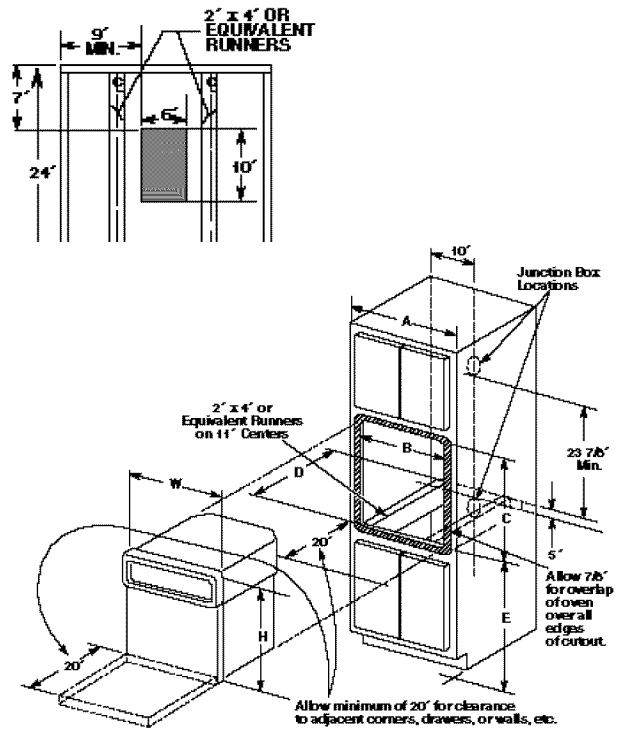


Fig. 2 — DOUBLE OVEN

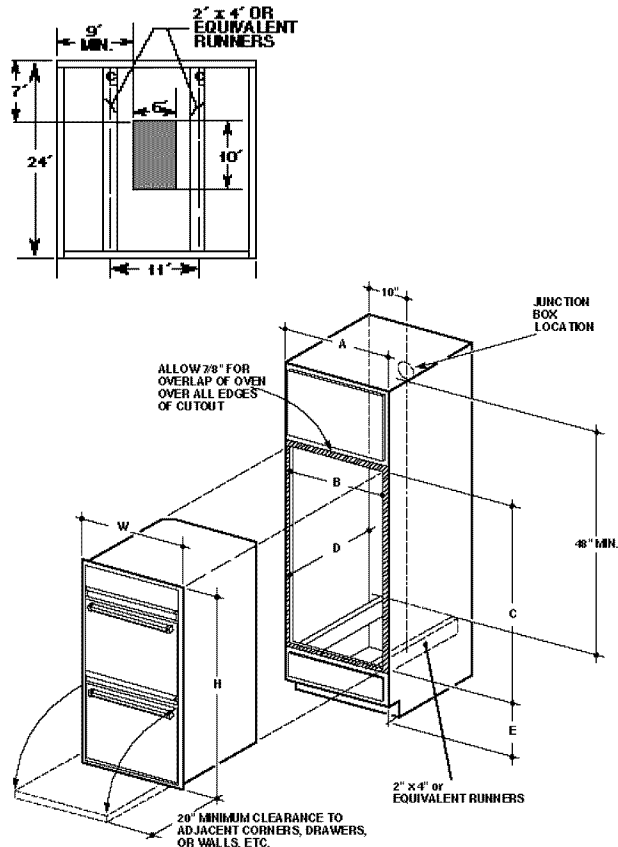
NOTE: Locate an approved junction box in the suggested location, a minimum of 48" above the runners.

Be sure the oven support is solid enough to support 155 pounds. Also be sure the oven support is level and straight. There is no way to level the oven after installation.

If a solid bottom is used instead of runners, a 6" x 10" rectangle must be cut out of the bottom (See Fig. 2) for optimum performance and proper air circulation.

DIMENSIONS

- A. Cabinet Width - 24" Min.
- B. Cutout Width - 22 1/2"
- C. Cutout Height - 48 1/8"
- D. Cutout Depth - 23 1/2" Min.
- E. Cutout Location - 12 3/4" Min.
- H. Overall Height - 48 3/4"
- W. Overall Width - 23 3/4"





IMPORTANT: Remove all packing material and literature from the cooktop before connecting any electrical supplies.

ELECTRICAL CONNECTION

1. De-energize range branch circuit.
2. With oven in front of cabinet opening, connect flexible power cable to the junction box in such a manner that it will hang down in a natural loop against the left side of the back wall when the oven is installed. Do not shorten this flexible power cable. The flexible conduit connector must be securely attached to the junction box and the flexible conduit must be securely attached to the connector. If the flexible conduit will not fit within the connector, do not install the oven until a connector of the proper size is obtained.

All new construction, mobile homes and installations where local codes do not allow grounding through neutral, require a four-conductor branch circuit. For existing construction, a three-conductor branch circuit connection may be used.

NEW CONSTRUCTION AND FOUR CONDUCTOR BRANCH CIRCUIT CONNECTION

- When installing in a new construction, or
 - When installing range in a mobile home, or
 - When local codes do not permit grounding through neutral:
1. Cut the neutral (white) lead from the crimp. Restrip the neutral (white) lead to expose the proper length of conductor.
 2. Attach the appliance grounding lead (green or bare copper) to the residence grounding conductor (green or bare) in accordance with local codes. If the residence grounding conductor is aluminum, see WARNING note.
 3. Connect the range neutral (white) lead to the branch circuit neutral (white or gray) in accordance with local codes.
 4. Connect the range red lead to the branch circuit red lead and the range black lead to the branch circuit black lead in accordance with local codes. If the residence red and black or white leads are aluminum conductors, see WARNING note.

NOTE TO ELECTRICIAN: The three power leads supplied with this appliance are U. L. recognized for connection to larger gauge household wiring. The insulation of these three leads is rated at temperatures much higher than the temperature rating of household wiring. The current carrying capacity of a conductor is governed by the temperature rating of the insulation around the wire rather than the wire gauge alone.

THREE CONDUCTOR BRANCH CIRCUIT CONNECTION

- When connecting to a 3-conductor branch circuit, if local codes permit, connect the range bare conductor with the crimped neutral (white) lead to the branch circuit neutral (white or gray in color), the range red lead to the branch circuit red lead and the range black lead to the branch circuit black lead in accordance with local codes.



WARNING:

Improper connection of aluminum house wiring to these copper leads can result in an electrical hazard or fire. Use only connectors designed for joining copper to aluminum and follow the manufacturer's recommended procedure closely.

INSTALLING OVEN

To remove the oven door:

1. Open the door to the stop position (see Fig. 3A).
2. Grasp the door at each side and lift up and off the hinges (see Fig. 3B).



CAUTION:

When the door is removed and hinge arms are at stop position, do not bump or try to move the hinge arms. The hinges could snap back causing an injury to the hands or damage to the porcelain on the front of the range. Cover the hinges with toweling or empty towel rolls while working in the oven area.

3. Put the oven into the cabinet and use a 1/8" drill bit to drill holes in the cabinet front through the holes in the oven trim.
4. Secure the oven in the cabinet with the screws provided.
5. The lower trim should be mounted to the bottom of the oven frame with the 3 screws provided.

The lower front trim is packed separately and should be added after the oven is installed. The oven door must be removed to install the lower trim.



The trim provides cooling air entry into cabinet through the bottom opening. The bottom opening should never be blocked. See Fig. 3B.

REPLACE THE OVEN DOOR

1. Hold the door over the hinges with the slots at the bottom edge of the door lined up with the hinges.
2. Slide the door down onto the hinges as far as it will go and close the door.

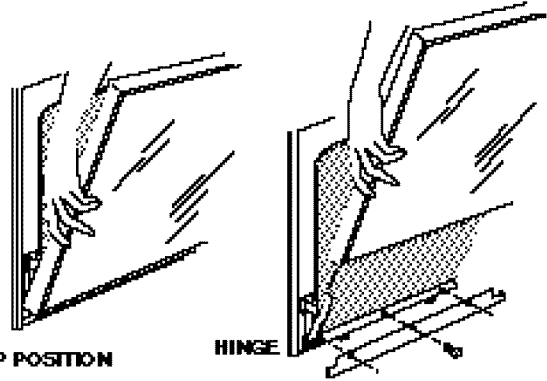


Fig. 3A

Fig. 3B

