

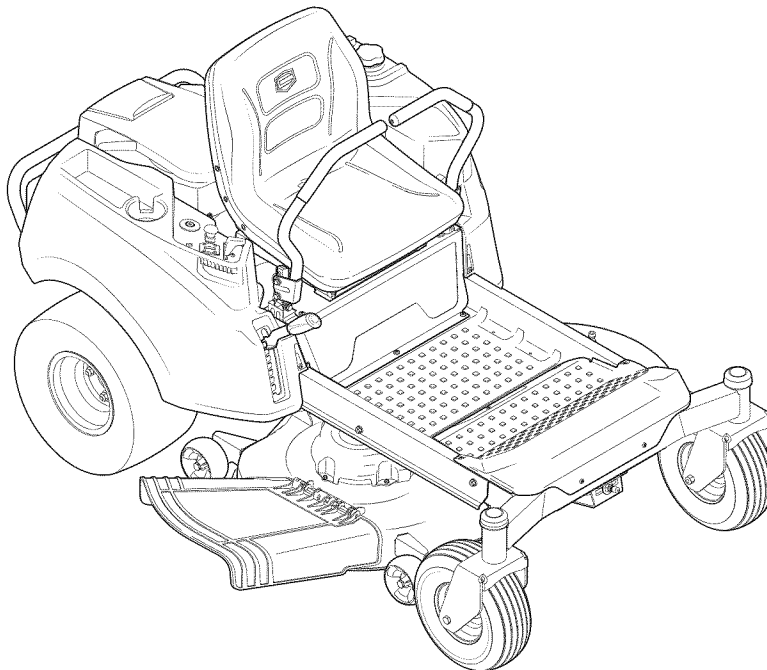
Operator's Manual



Zero-Turn Rider

22 HP, 46" MOWER DECK

Model No. 247.204180



CAUTION: Before using this product, read this manual and follow all safety rules and operating instructions.

- SAFETY
- ASSEMBLY
- OPERATION
- MAINTENANCE
- ESPAÑOL

Sears Brands Management Corporation, Hoffman Estates, IL 60179, U.S.A.

Visit our website: www.craftsman.com

Form No. 769-10439
(November 25, 2014)

TABLE OF CONTENTS

Warranty Statement.....	2	Service and Maintenance	20
Safety Instructions	3	Off-Season Storage.....	29
Slope Guide	7	Troubleshooting	30
Assembly	8	Español.....	36
Operation	12	Service Numbers.....	Back Cover

WARRANTY STATEMENT

CRAFTSMAN LIMITED WARRANTY

FOR TWO YEARS from the date of purchase, all non-expendable parts of this riding equipment are warranted against any defects in material or workmanship. With proof of purchase, a defective non-expendable part will receive free in-home repair or replacement at option of seller.

BATTERY LIMITED WARRANTY

FOR 90 DAYS from the date of purchase, the battery (an expendable part) of this riding equipment is warranted against any defects in material or workmanship. With proof of purchase, a new battery will be supplied free of charge. You are responsible for the labor cost of battery installation.

WARRANTY SERVICE

For warranty coverage details to obtain free repair or replacement, call 1-888-331-4569 or visit the web page: www.craftsman.com/warranty

In all cases above, if part repair or replacement is impossible, the riding equipment will be replaced free of charge with the same or an equivalent model.

All of the above warranty coverage is void if this riding equipment is ever used while providing commercial services or if rented to another person.

This warranty covers ONLY defects in material and workmanship. Warranty coverage does NOT include:

- Expendable parts (except battery) that can wear out from normal use within the warranty period, including but not limited to blades, spark plugs, air cleaners, belts, and oil filters.
- Standard maintenance servicing, oil changes, or tune-ups.
- Tire replacement or repair caused by punctures from outside objects, such as nails, thorns, stumps, or glass.
- Tire or wheel replacement or repair resulting from normal wear, accident, or improper operation or maintenance.
- Repairs necessary because of operator abuse, including but not limited to damage caused by towing objects beyond the capability of the riding equipment, impacting objects that bend the frame, axle assembly or crankshaft, or over-speeding the engine.
- Repairs necessary because of operator negligence, including but not limited to, electrical and mechanical damage caused by improper storage, failure to use the proper grade and amount of engine oil, failure to keep the deck clear of flammable debris, or failure to maintain the riding equipment according to the instructions contained in the operator's manual.
- Engine (fuel system) cleaning or repairs caused by fuel determined to be contaminated or oxidized (stale). In general, fuel should be used within 30 days of its purchase date.
- Normal deterioration and wear of the exterior finishes, or product label replacement.

This warranty gives you specific legal rights, and you may also have other rights which vary from state to state.

Sears Brands Management Corporation, Hoffman Estates, IL 60179

PRODUCT SPECIFICATIONS

Engine Oil: SAE 30
Fuel: Unleaded Gasoline

MODEL NUMBER

Model Number _____
Serial Number _____
Date of Purchase _____

Record the model number, serial number,
and date of purchase above.

SAFETY INSTRUCTIONS

WARNING

This symbol points out important safety instructions which, if not followed, could endanger the personal safety and/or property of yourself and others. Read and follow all instructions in this manual before attempting to operate this machine. Failure to comply with these instructions may result in personal injury. When you see this symbol, HEED ITS WARNING!

DANGER

This machine was built to be operated according to the safe operation practices in this manual. As with any type of power equipment, carelessness or error on the part of the operator can result in serious injury. This machine is capable of amputating fingers, hands, toes and feet and throwing debris. Failure to observe the following safety instructions could result in serious injury or death.

WARNING

CALIFORNIA PROPOSITION 65

Engine Exhaust, some of its constituents, and certain vehicle components contain or emit chemicals known to State of California to cause cancer and birth defects or other reproductive harm.

Battery posts, terminals, and related accessories contain lead and lead compounds, chemicals known to the State of California to cause cancer and reproductive harm. Wash hands after handling.

WARNING

Your Responsibility—Restrict the use of this power machine to persons who read, understand and follow the warnings and instructions in this manual and on the machine.

SAVE THESE INSTRUCTIONS!

GENERAL OPERATION

- Read, understand, and follow all instructions on the machine and in the manual(s) before attempting to assemble and operate. Keep this manual in a safe place for future and regular reference and for ordering replacement parts.
- Be familiar with all controls and their proper operation. Know how to stop the machine and disengage them quickly.
- Never allow children under 14 years of age to operate this machine. Children 14 and over should read and understand the instructions and safe operation practices in this manual and on the machine and should be trained and supervised by an adult.
- Never allow adults to operate this machine without proper instruction.
- To help avoid blade contact or a thrown object injury, keep bystanders, helpers, children and pets at least 75 feet from the machine while it is in operation. Stop machine if anyone enters the area.
- Thoroughly inspect the area where the equipment is to be used. Remove all stones, sticks, wire, bones, toys, and other foreign objects which could be picked up and thrown by the blade(s). Thrown objects can cause serious personal injury.
- Plan your mowing pattern to avoid discharge of material toward roads, sidewalks, bystanders and the like. Also, avoid discharging material against a wall or obstruction which may cause discharged material to ricochet back toward the operator.
- Always wear safety glasses or safety goggles during operation and while performing an adjustment or repair to protect your eyes. Thrown objects which ricochet can cause serious injury to the eyes.
- Wear sturdy, rough-soled work shoes and close-fitting slacks and shirts. Loose fitting clothes and jewelry can be caught in movable parts. Never operate this machine in bare feet or sandals.
- Be aware of the mower and attachment discharge direction and do not point it at anyone. Do not operate the mower without the discharge cover or entire grass catcher in its proper place.
- Do not put hands or feet near rotating parts or under the cutting deck. Contact with the blade(s) can amputate hands and feet.
- A missing or damaged discharge cover can cause blade contact or thrown object injuries.
- Stop the blade(s) when crossing gravel drives, walks, or roads and while not cutting grass.
- Watch for traffic when operating near or crossing roadways. This machine is not intended for use on any public roadway.
- Do not operate the machine while under the influence of alcohol or drugs.
- Mow only in daylight or good artificial light.
- Never carry passengers.
- Back up slowly. Always look down and behind before and while backing to avoid a back-over accident. Be aware and pay attention to the safety system function that stops power to the blades when driving in reverse. If not functioning properly, contact an authorized dealer for safety system inspection and repair.
- Slow down before turning. Operate the machine smoothly. Avoid erratic operation and excessive speed.
- Disengage blade(s), set parking brake, stop engine and wait until the blade(s) come to a complete stop before removing grass catcher, emptying grass, unclogging chute, removing any grass or debris, or making any adjustments.
- Never leave a running machine unattended. Always turn off blade(s), place drive control levers in neutral, set parking brake, stop engine and remove key before dismounting.
- Use extra care when loading or unloading the machine into a trailer or truck. This machine should not be driven up or down ramp(s), because the machine could tip over, causing serious personal injury. The machine must be pushed manually on ramp(s) to load or unload properly.
- Muffler and engine become hot and can cause a burn. Do not touch.
- Check overhead clearances carefully before driving under low hanging tree branches, wires, door openings etc., where the operator may be struck or pulled from the machine, which could result in serious injury.
- Disengage all attachment clutches, set the parking brake to the 'on' position and move the RH and LH drive control levers to the neutral position before attempting to start the engine.

SAFETY INSTRUCTIONS

- Your machine is designed to cut normal residential grass of a height no more than 10". Do not attempt to mow through unusually tall, dry grass (e.g., pasture) or piles of dry leaves. Dry grass or leaves may contact the engine exhaust and/or build up on the mower deck presenting a potential fire hazard.
- Use only accessories and attachments approved for this machine by the machine manufacturer. Read, understand and follow all instructions provided with the approved accessory or attachment. For a list of approved accessories and attachments, call 1-888-331-4569.
- Data indicates that operators, age 60 years and above, are involved in a large percentage of riding mower-related injuries. These operators should evaluate their ability to operate the riding mower safely enough to protect themselves and others from serious injury.
- If situations occur which are not covered in this manual, use care and good judgment.

SLOPE OPERATION

Slopes are a major factor related to loss of control and tip-over accidents which can result in severe injury or death. All slopes require extra caution. If you cannot back up the slope or if you feel uneasy on it, do not mow it.

For your safety, use the slope gauge included as part of this manual to measure slopes before operating this machine on a sloped or hilly area. If the slope is greater than 15 degrees as shown on the slope gauge, do not operate this machine on that area or serious injury could result.

Do:

- Mow across slopes, not up and down. Exercise extreme caution when changing direction on slopes.
- Watch for holes, ruts, bumps, rocks, or other hidden objects. Uneven terrain could overturn the machine. Tall grass can hide obstacles.
- Use slow speed. Choose a low enough speed so that you will not have to stop while on the slope. Avoid starting or stopping on a slope. If the tires are unable to maintain traction, disengage the blades and proceed slowly and carefully straight down the slope.
- Follow the manufacturer's recommendations for wheel weights or counterweights to improve stability.
- Use extra care with grass catchers or other attachments. These can change the stability of the machine.
- Keep all movement on the slopes slow and gradual. Do not make sudden changes in speed or direction. Rapid acceleration or deceleration could cause the front of the machine to lift and rapidly roll over backwards, which could cause serious injury.

Do Not:

- Do not turn on slopes unless necessary; then turn slowly uphill and use extra care while turning.
- Do not mow near drop-offs, ditches or embankments. The mower could suddenly turn over if a wheel is over the edge of a cliff, ditch, or if an edge caves in.
- Do not try to stabilize the machine by putting your foot on the ground.
- Do not use a grass catcher on steep slopes.
- Do not mow on wet grass. Reduced traction could cause sliding.
- Do not tow heavy pull behind attachments (e.g. loaded dump cart, lawn roller, etc.) on slopes greater than 5 degrees. When going down hill, the extra weight tends to push the riding mower and may cause you to lose control (e.g. riding mower may speed up, braking and steering ability are reduced, attachment may jack-knife and cause riding mower to overturn).

CHILDREN

Tragic accidents can occur if the operator is not alert to the presence of children. Children are often attracted to the machine and the mowing activity. They do not understand the dangers. Never assume that children will remain where you last saw them.

- Keep children out of the mowing area and in watchful care of a responsible adult other than the operator.
- Be alert and turn machine off if a child enters the area.
- To avoid back-over accidents, always look behind and down for small children.
- Never carry children, even with the blade(s) shut off. They may fall off and be seriously injured or interfere with safe machine operation.
- Use extreme care when approaching blind corners, doorways, shrubs, trees or other objects that may block your vision of a child who may run into the path of the machine.
- Keep children away from hot or running engines. They can suffer burns from a hot muffler.
- Remove key when machine is unattended to prevent unauthorized operation.

Never allow children under 14 years of age to operate this machine. Children 14 and over should read and understand the instructions and safe operation practices in this manual and on the machine and should be trained and supervised by an adult.

TOWING

- Tow only with a machine that has a hitch designed for towing. Do not attach towed equipment except at the hitch point.
- Follow the manufacturer's recommendation for weight limits for towed equipment and towing on slopes.
- Never allow children or others in or on towed equipment.
- On slopes, the weight of the towed equipment may cause loss of traction and loss of control.
- Travel slowly and allow extra distance to stop.
- Do not shift to neutral and coast downhill.
- Do not tow heavy pull behind attachments (e.g. loaded dump cart, lawn roller, etc.) on slopes greater than 5 degrees. When going down hill, the extra weight tends to push the riding mower and may cause you to lose control (e.g. riding mower may speed up, braking and steering ability are reduced, attachment may jack-knife and cause riding mower to overturn).

SERVICE

Safe Handling of Gasoline:

To avoid personal injury or property damage use extreme care in handling gasoline. Gasoline is extremely flammable and the vapors are explosive. Serious personal injury can occur when gasoline is spilled on yourself or your clothes which can ignite. Wash your skin and change clothes immediately.

- Use only an approved gasoline container.
- Never fill containers inside a vehicle or on a truck or trailer bed with a plastic liner. Always place containers on the ground away from your vehicle before filling.
- When practical, remove gas-powered equipment from the truck or trailer and refuel it on the ground. If this is not possible, then refuel such equipment on a trailer with a portable container, rather than from a gasoline dispenser nozzle.

SAFETY INSTRUCTIONS

- Keep the nozzle in contact with the rim of the fuel tank or container opening at all times until fueling is complete. Do not use a nozzle lock-open device.
- Extinguish all cigarettes, cigars, pipes and other sources of ignition.
- Never fuel machine indoors.
- Never remove gas cap or add fuel while the engine is hot or running. Allow engine to cool at least two minutes before refueling.
- Never over fill fuel tank. Fill tank to no more than ½ inch below bottom of filler neck to allow space for fuel expansion.
- Replace gasoline cap and tighten securely.
- If gasoline is spilled, wipe it off the engine and equipment. Move machine to another area. Wait 5 minutes before starting the engine.
- To reduce fire hazards, keep machine free of grass, leaves, or other debris build-up. Clean up oil or fuel spillage and remove any fuel soaked debris.
- Never store the machine or fuel container inside where there is an open flame, spark or pilot light as on a water heater, space heater, furnace, clothes dryer or other gas appliances.
- Allow a machine to cool at least five minutes before storing.
- Grass catcher components and the discharge cover are subject to wear and damage which could expose moving parts or allow objects to be thrown. For safety protection, frequently check components and replace immediately with original equipment manufacturer's (O.E.M.) parts only, listed in this manual. Use of parts which do not meet the original equipment specifications may lead to improper performance and compromise safety!
- Do not change the engine governor settings or over-speed the engine. The governor controls the maximum safe operating speed of the engine.
- Maintain or replace safety and instruction labels, as necessary.
- Observe proper disposal laws and regulations for gas, oil, etc. to protect the environment.
- According to the Consumer Products Safety Commission (CPSC) and the U.S. Environmental Protection Agency (EPA), this product has an Average Useful Life of seven (7) years, or 270 hours of operation. At the end of the Average Useful Life have the machine inspected annually by Sears or another qualified dealer to ensure that all mechanical and safety systems are working properly and not worn excessively. Failure to do so can result in accidents, injuries or death.

General Service

- Never run an engine indoors or in a poorly ventilated area. Engine exhaust contains carbon monoxide, an odorless, and deadly gas.
- Before cleaning, repairing, or inspecting, make certain the blade(s) and all moving parts have stopped. Disconnect the spark plug wire and ground against the engine to prevent unintended starting.
- Periodically check to make sure the blades come to complete stop within approximately (5) five seconds after operating the blade disengagement control. If the blades do not stop within the this time frame, have your machine serviced professionally by Sears or another qualified dealer.
- Regularly check the safety interlock system for proper function, as described later in this manual. If the safety interlock system does not function properly, have your machine serviced professionally by Sears or another qualified dealer.
- Check the blade(s) and engine mounting bolts at frequent intervals for proper tightness. Also, visually inspect blade(s) for damage (e.g., excessive wear, bent, cracked). Replace the blade(s) with the original equipment manufacturer's (O.E.M.) blade(s) only, listed in this manual. Use of parts which do not meet the original equipment specifications may lead to improper performance and compromise safety!
- Mower blades are sharp. Wrap the blade or wear gloves, and use extra caution when servicing them.
- Keep all nuts, bolts, and screws tight to be sure the equipment is in safe working condition.
- Never tamper with the safety interlock system or other safety devices. Check their proper operation regularly.
- After striking a foreign object, stop the engine, disconnect the spark plug wire(s) and ground against the engine. Thoroughly inspect the machine for any damage. Repair the damage before starting and operating.
- Never attempt to make adjustments or repairs to the machine while the engine is running.

DO NOT MODIFY ENGINE

To avoid serious injury or death, do not modify engine in any way. Tampering with the governor setting can lead to a runaway engine and cause it to operate at unsafe speeds. Never tamper with factory setting of engine governor.

NOTICE REGARDING EMISSIONS

Engines which are certified to comply with California and federal EPA emission regulations for SORE (Small Off Road Equipment) are certified to operate on regular unleaded gasoline, and may include the following emission control systems: Engine Modification (EM), Oxidizing Catalyst (OC), Secondary Air Injection (SAI) and Three Way Catalyst (TWC) if so equipped.

SPARK ARRESTOR

WARNING

This machine is equipped with an internal combustion engine and should not be used on or near any unimproved forest-covered, brush-covered or grass-covered land unless the engine's exhaust system is equipped with a spark arrestor meeting applicable local or state laws (if any).













If a spark arrestor is used, it should be maintained in effective working order by the operator. In the State of California the above is required by law (Section 4442 of the California Public Resources Code). Other states may have similar laws. Federal laws apply on federal lands.

A spark arrestor for the muffler is available through your nearest Sears Parts and Repair Service Center.

SAFETY INSTRUCTIONS

SAFETY SYMBOLS

This page depicts and describes safety symbols that may appear on this product. Read, understand, and follow all instructions on the machine before attempting to assemble and operate.

Symbol	Description
	READ THE OPERATOR'S MANUAL(S) Read, understand, and follow all instructions in the manual(s) before attempting to assemble and operate.
	DANGER — ROTATING BLADES Never carry passengers. Never carry children, even with the blades off.
	DANGER — ROTATING BLADES Mowing in reverse is not recommended.
	WARNING — ROTATING BLADES Do not put hands or feet near rotating parts or under the cutting deck. Contact with the blade(s) can amputate hands and feet.
	DANGER — ROTATING BLADES Look down and behind before and while backing to avoid a back-over accident.
	WARNING — THROWN OBJECTS This machine may pick up and throw objects which can cause serious personal injury.
	DANGER — SAFETY DEVICES Keep safety devices (guards, shields, switches, etc.) in place and working.
	WARNING — BYSTANDERS Keep bystanders, helpers, children and pets at least 75 feet from the machine while it is in operation.
	WARNING — SLOPE OPERATION Do not operate this machine on a slope greater than 15 degrees. Do not mow across slopes. Mow up and down slopes no greater than 15 degrees. Avoid sudden turns. Use low speed. If machine stops going uphill, stop blades and back down slowly.
	WARNING — HOT SURFACE Engine parts, especially the muffler, become extremely hot during operation. Allow engine and muffler to cool before touching.
	DANGER — ROTATING BLADES To reduce the risk of injury, keep hands and feet away. Do not operate unless discharge cover or grass catcher is in its proper place. If damaged, replace immediately.
	WARNING — FIRE HAZARD Allow machine to cool before fueling or storing.
	WARNING — FIRE HAZARD Do not drive through piles of dry leaves or tall grass.
	WARNING — FIRE HAZARD Operation of this equipment may create sparks that can start fires around dry vegetation. A spark arrestor may be required.

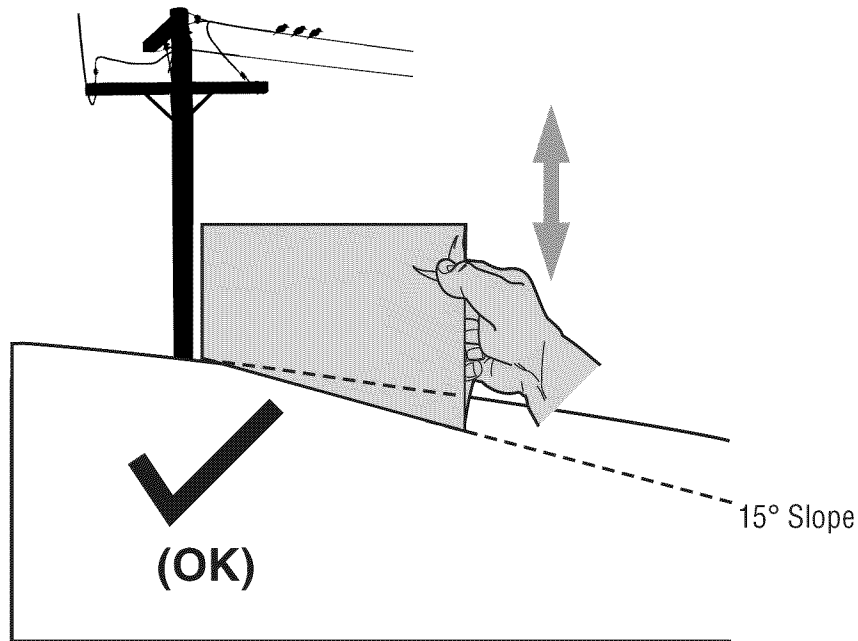


Figure 1

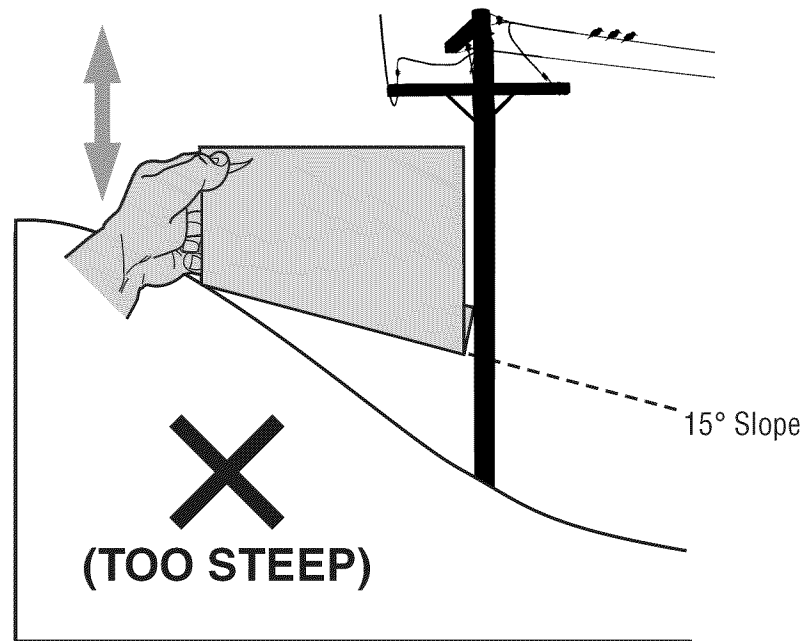


Figure 2

**USE THIS SLOPE GAUGE TO DETERMINE
IF A SLOPE IS TOO STEEP FOR SAFE OPERATION!**

To check the slope, proceed as follows:

1. Remove this page and fold along the dashed line.
2. Locate a vertical object on or behind the slope (e.g. a pole, building, fence, tree, etc.)
3. Align either side of the slope gauge with the object (See Figure 1 and Figure 2).
4. Adjust gauge up or down until the left corner touches the slope (See Figure 1 and Figure 2).
5. If there is a gap below the gauge, the slope is too steep for safe operation (See Figure 2 above).

⚠ WARNING

Slopes are a major factor related to tip-over and roll-over accidents which can result in severe injury or death. Do not operate machine on slopes in excess of 15 degrees. All slopes require extra caution. If you cannot back up the slope or if you feel uneasy on it, do not mow it. Always mow across the face of slopes, never mow up and down the face of slopes.

ASSEMBLY

Set-Up

NOTE: Remove the deck wash system nozzle adapter and oil drain tube from the manual bag and store for future use.

Moving The Riding Mower Manually

Your riding mower's transmission is equipped with a hydrostatic relief valve for occasions when it is necessary to move the riding mower manually. Opening this valve permits the fluid in the transmission to bypass its normal route, allowing the rear tires to "freewheel." To open the hydrostatic relief valve, proceed as follows:

1. Locate the hydrostatic bypass rod in the rear of the riding mower. See Figure 1.

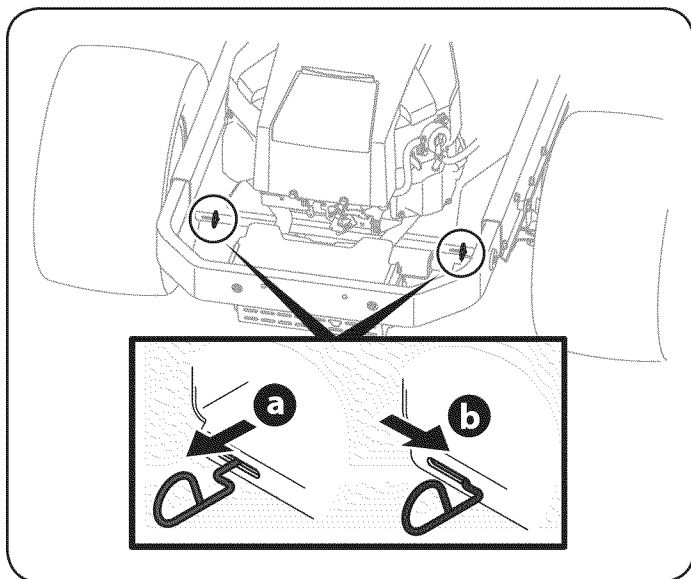


Figure 1

2. Engage the bypass rods by pulling each one out (a) and to the right (b) to lock it into place. See Figure 1.
3. Disengage the bypass rods by reversing steps a & b after moving the tractor. See Figure 1.

NOTE: The transmission will NOT engage when the hydrostatic bypass rod is pulled out. Return the rod to its normal position prior to operating the riding mower.

CAUTION

Never attempt to move the riding mower manually without first opening the hydrostatic relief valve. Doing so will result in serious damage to the riding mower's transmission.

Install Operator's Seat

To install the seat proceed as follows:

NOTE: The seat is shipped with the seat switch and seat pan attached.

1. Cut any straps securing the seat assembly and the drive control levers to the riding mower. Remove any packing material.

NOTE: Be careful not to cut the wiring harness connecting the seat and the seat switch.

2. Remove the two shoulder bolts and lock nuts in the seat pan as shown in Figure 2.

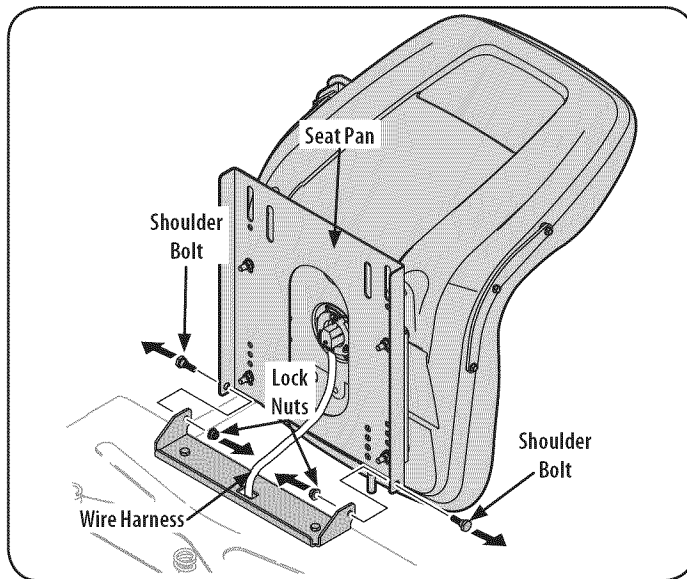


Figure 2

3. Rotate the seat into position and secure the seat into place with the previously removed shoulder bolts and lock nuts. Be careful not to crimp or damage the wire harness while installing the seat. See Figure 3.

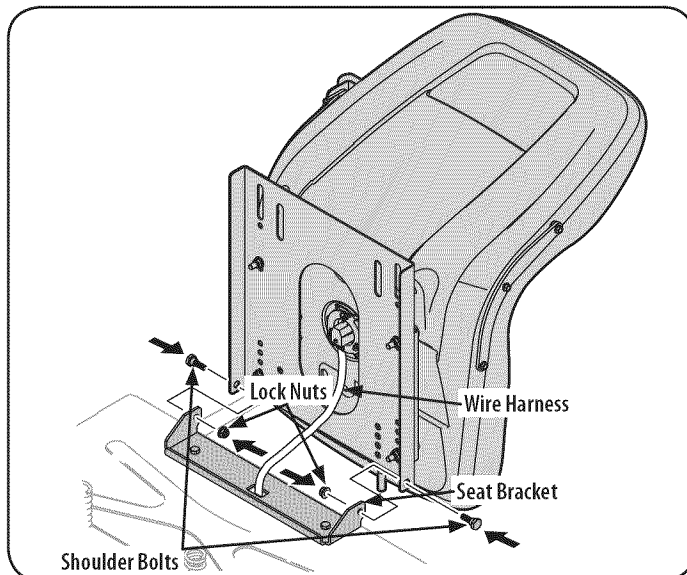


Figure 3

ASSEMBLY

Position Drive Control levers

The drive control levers of the riding mower are lowered for shipping purposes. The flange lock nuts, hex screws, and flat washers that normally secure the control levers in their operating position are unfastened and installed in the slotted holes of the control levers for shipment. The control levers must be repositioned to operate the riding mower. To reposition the control levers for operation, proceed as follows:

1. Remove the hex screws and flat washers from the hardware pack in your manual bag.
2. Lift and swing that control lever upward until the slotted hole in the lever bracket aligns with one of the holes in the pivot bracket. See Figure 4.

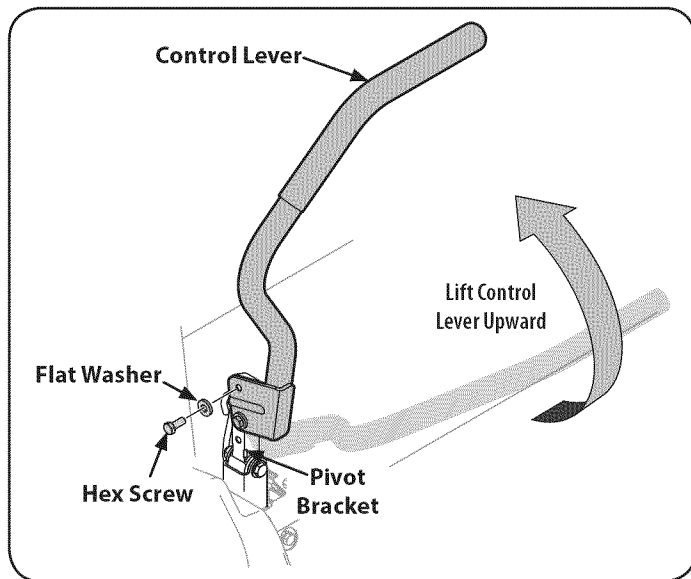


Figure 4

3. Slide the flat washer onto the hex screw. From the outside, insert the hex screw with washer through the control lever slot and the hole of the pivot bracket. See Figure 4. Using a 1/2" wrench snug the screw, but do not fully tighten.
4. Note the relative position of the control lever to the pivot bracket, then repeat the previous steps to reposition the other control lever in approximately the same position.

CAUTION

Torque the screws down tightly to prevent the control levers from slipping out of position.

5. Refer to "Adjusting the Drive Control Levers" in the Maintenance & Adjustments for instructions on the final adjustment of the levers.

Connecting the Battery Cables

WARNING

Battery posts, terminals, and related accessories contain lead and lead compounds, chemicals known to the State of California to cause cancer and reproductive harm. Wash hands after handling.

CAUTION

When attaching battery cables, always connect the POSITIVE (Red) wire to its terminal first, followed by the NEGATIVE (Black) wire.

For shipping reasons, both battery cables on your equipment may have been left disconnected from the terminals at the factory. To connect the battery cables, proceed as follows:

NOTE: The positive battery terminal is marked Pos. (+). The negative battery terminal is marked Neg. (-).

NOTE: If the positive battery cable is already attached, skip ahead to step 2.

1. Remove the plastic cover, if present, from the positive battery terminal and attach the red cable to the positive battery terminal (+) with the bolt and hex nut. See Figure 5.

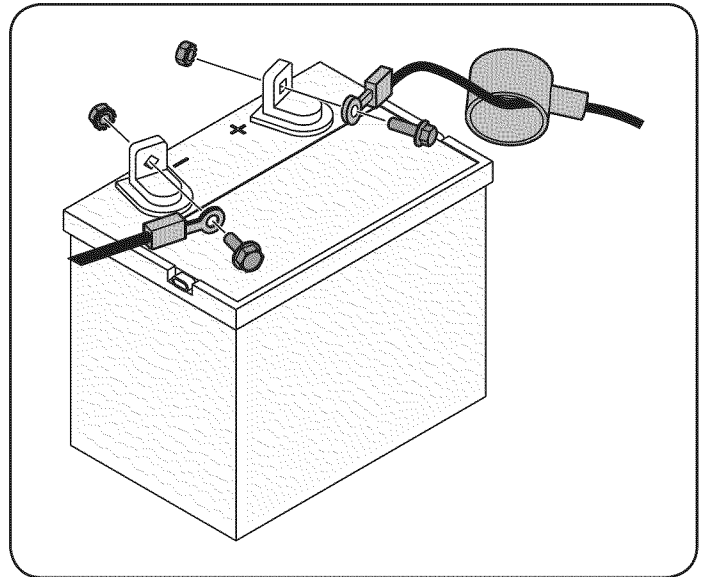


Figure 5

2. Remove the plastic cover, if present, from the negative battery terminal and attach the black cable to the negative battery terminal (-) with the bolt and hex nut. See Figure 5.
3. Position the red rubber boot over the positive battery terminal to help protect it from corrosion.

NOTE: If the battery is put into service after the date shown on top or side of battery, charge the battery as instructed in the Service and Maintenance section of this Operator's Manual prior to operating the riding mower.

ASSEMBLY

Lower Deck Discharge Chute Deflector

⚠ WARNING

Never operate the mower deck without the chute deflector installed and in the down position.

The discharge chute deflector must be installed before operating the mower.

1. Remove the keys that are attached with a zip tie to the chute bracket.
2. Remove the flange lock nuts from the deck. Do not remove the push nuts or carriage bolts, leaving them in place will aid in installing the chute. See Figure 6.

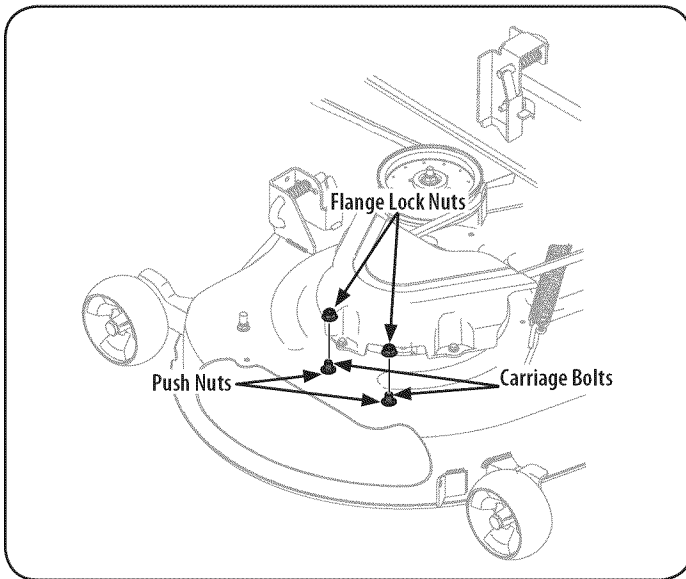


Figure 6

3. Install the discharge chute deflector using the carriage bolts, push nuts and flange lock nuts as shown in Figure 7 and securely tighten the hardware.

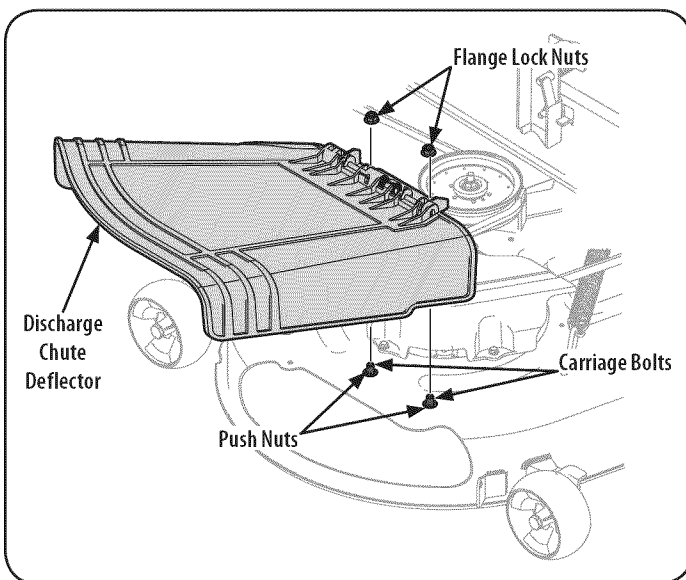


Figure 7

Checking Tire Pressure

⚠ WARNING

Do not overinflate tires. Check sidewall of tires for maximum psi. Equal tire pressure should be maintained at all times.

The tires on your riding mower may be over inflated for shipping purposes. Reduce the tire pressure before operating the riding mower. Check sidewall of tires for maximum psi.

Adjusting the Gauge Wheels

⚠ WARNING

Keep hands and feet away from the discharge opening of the cutting deck.

NOTE: The deck gauge wheels are an anti-scalp feature of the deck and are not designed to support the weight of the cutting deck.

The mower deck cutting height can be set in any of six height settings using the riding mower's deck lift handle. The deck heights range from 1-1/2" to 4". The deck gauge wheel position should be approximately 1/4" to 1/2" above the ground when the deck is set in the desired height setting.

Using the lift handle, set the deck in the desired height setting, then check the gauge wheel distance from the ground below. If necessary adjust as follows:

1. Visually check the distance between the front gauge wheel and the ground. If the gauge wheel is near or touching the ground, it should be raised. If more than 1/2" above the ground, it should be lowered.
2. Remove the flange lock nut securing the front gauge wheel shoulder bolt to the deck. Remove the gauge wheel and shoulder bolt. Refer to Figure 8.

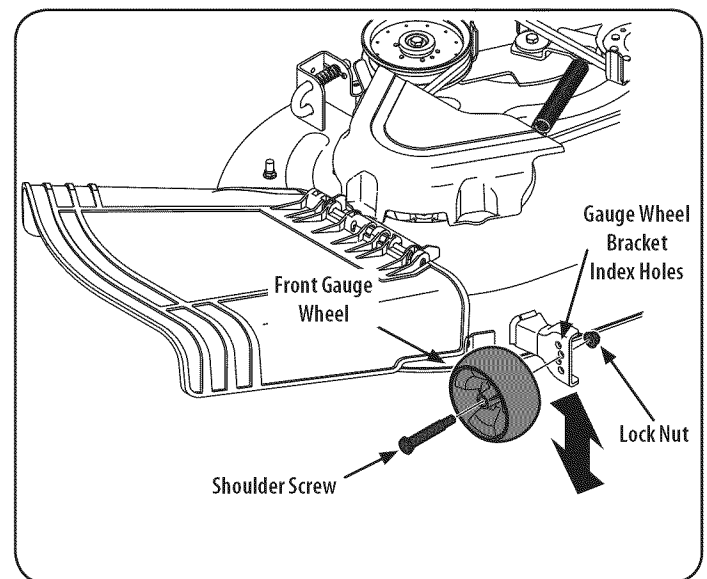


Figure 8

3. Insert the shoulder bolt into the one of four index holes in the front gauge wheel bracket that will give the gauge wheel a 1/4" to 1/2" clearance with the ground and secure with the flange lock nut.
4. Note the index hole of the just adjusted wheel, and adjust the rear gauge wheel into the respective index holes of the other gauge wheel bracket on the deck.

ASSEMBLY

Adjusting the Seat

To adjust the position of the seat, rotate the seat forward and locate the clamp knob on the front left of the seat pan. Refer to Figure 9.

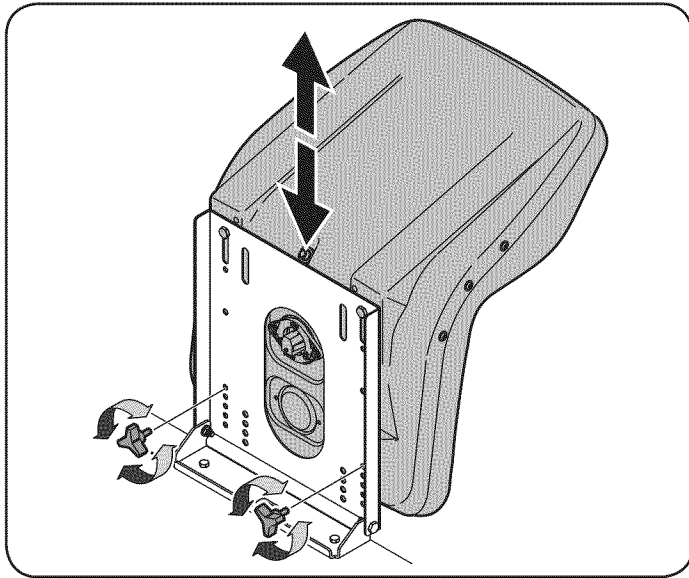


Figure 9

Rotate the clamp knobs to the left and remove them, slide the seat forward or backward and re-insert the clamp knobs into one of the four available positions on the seat pan and into the seat, then tighten securely. Make sure the seat is locked into position before operating the tractor. See Figure 9

Gas and Oil

Fuel Recommendations

Use automotive gasoline (unleaded or low leaded to minimize combustion chamber deposits) with a minimum of 87 octane. Gasoline with up to 10% ethanol or 15% MTBE (Methyl Tertiary Butyl Ether) can be used. Never use an oil/gasoline mixture or dirty gasoline. Avoid getting dirt, dust, or water in the fuel tank. DO NOT use E85 gasoline.

- Refuel in a well-ventilated area with the engine stopped. Do not smoke or allow flames or sparks in the area where the engine is refueled or where gasoline is stored.
- Do not overfill the fuel tank. After refueling, make sure the tank cap is closed properly and securely.
- Be careful not to spill fuel when refueling. Spilled fuel or fuel vapor may ignite. If any fuel is spilled, make sure the area is dry before starting the engine.
- Avoid repeated or prolonged contact with skin or breathing of vapor.

Adding Fuel

! WARNING

Use extreme care when handling gasoline. Gasoline is extremely flammable and the vapors are explosive. Never fuel the riding mower indoors or while the engine is hot or running. Extinguish cigarettes, cigars, pipes and other sources of ignition.

1. Be sure engine is outdoors and in a well-ventilated area.
2. Clean area around the fuel fill cap and remove the fuel fill cap.
3. Using an approved red GASOLINE container, add fuel slowly, being careful to avoid spilling.
4. Fill the tank until the fuel reaches the bottom of the fuel tank neck.
5. Replace the fuel cap and tighten securely. Wipe up spilled fuel before starting engine. If fuel is spilled DO NOT start engine. Move riding mower away from area of spillage. Avoid creating any source of ignition until fuel vapors are gone.

Checking and Adding Oil

Your riding mower is shipped with oil in the engine. However, you MUST check the oil level before operating. Check and add the oil as instructed in your Engine Operator's Manual.

OPERATION

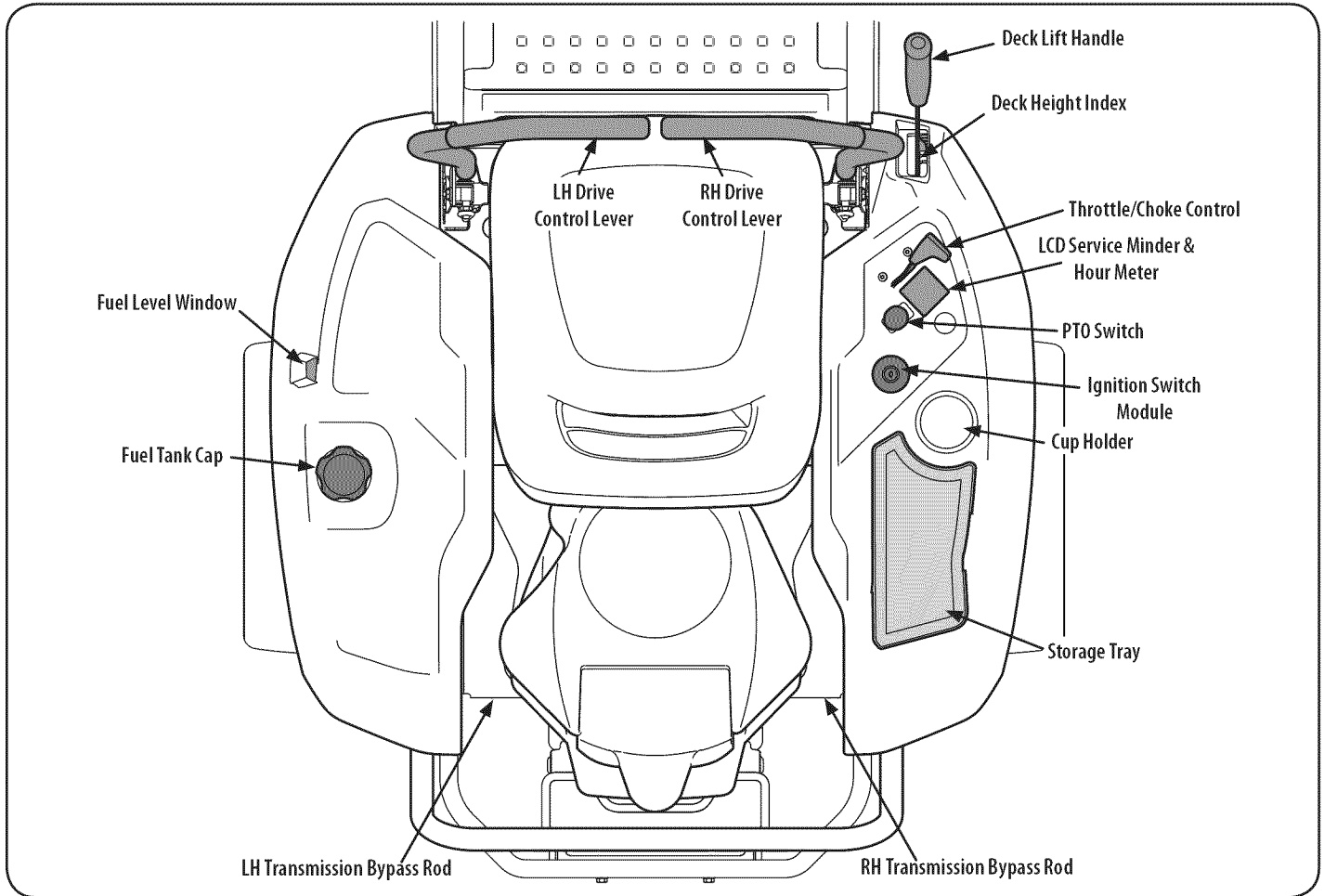


Figure 10

Now that you have set up your riding mower, it's important to become acquainted with its controls and features. Refer to Figure 10.

NOTE: References to LEFT, RIGHT, FRONT, and REAR indicate that position on the riding mower when facing forward while seated in the operator's seat.

Cup Holder

The cup holder is located toward the rear of the RH console to the right of the operator's seat.

Storage Tray

The storage tray is located at the rear of the RH console.

Deck Height Index

The deck lift handle is located on the front/right of the console, and is used to raise and lower the mower deck. Pull the handle to the left out of the index notch and push downward to lower the deck, or pull upward to raise the deck. When the desired height is attained, move the lift handle to the right until fully in the index notch.

Deck Lift Handle

The deck lift handle is located on the front/right of the seat box frame, and is used to raise and lower the mower deck. Pull the handle to the left out of the index notch and push downward to lower the deck, or pull upward to raise the deck. When the desired height is attained, move the lift handle to the right until fully in the index notch.

RH and LH Drive Control Levers

The RH and LH control levers are located on each side of the operator's seat. These hinged levers pivot outward to open space to permit the operator to either sit in the tractor seat, or to dismount the tractor. The levers must be fully opened out and in the neutral position to start the tractor engine. When the levers are fully outward, the parking brake is also engaged.

Each lever controls the respective RH or LH transmission. Consequently, these levers control all of the movements of the tractor. Driving and steering utilizing these control levers is quite different from conventional tractors, and will take some practice to master. Refer to Operation for instructions on using the control levers.

Power Take-Off (PTO) Switch

The PTO switch is located on the RH console to the right of the operator's seat. The PTO switch operates the electric PTO clutch mounted on the bottom of the engine crankshaft. Pull the switch knob upward to engage the PTO clutch, or push the knob downward to disengage the clutch. The PTO switch must be in the "disengaged" position when starting the engine.






OPERATION

Ignition Switch Module



WARNING! Never leave a running machine unattended. Always disengage PTO, set parking brake, stop engine and remove key to prevent unintended starting.

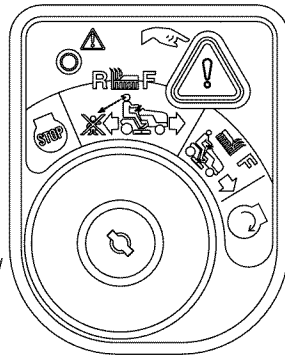
To start the engine, insert the key into the ignition switch and turn clockwise to the **START**  position. Release the key into the **NORMAL MOWING MODE**  position once the engine has fired.

To stop the engine, turn the ignition key counterclockwise to the **STOP**  position.



CAUTION: Prior to operating the tractor, refer to both Safety Interlock Switches and Starting The Engine in the Operation section of this manual for detailed instructions regarding the Ignition Switch Module and operating the tractor in **REVERSE**

CAUTION MODE 



Transmission Bypass Rods

The transmission bypass rods (one for each the RH and LH transmission) are located beneath the frame platform, just inside each rear wheel.

When engaged, the two rods open a bypass within the hydrostatic transmissions, which allows the riding mower to be pushed short distances by hand. Refer to the Assembly section for instructions on using the bypass feature.

CAUTION

Never tow your riding mower. Towing the riding mower with the rear wheels on the ground may cause severe damage to the transmissions.

Fuel Tank Cap

The fuel tank cap is located near the middle of the LH console. Turn the fill cap to remove. The fuel cap is tethered to the tractor to prevent its loss. Do not attempt to remove the cap from the tractor. Fill tank to the bottom of the filler neck, allowing some space in the tank for fuel expansion. Do not overfill the tank.

Push the cap downward on the fuel tank fill neck and turn clockwise until it clicks to tighten. Always re-install the fuel cap tightly onto the fuel tank after removing

WARNING

Never fill the fuel tank when the engine is running. If the engine is hot from recently running, allow to cool for several minutes before refueling. Highly flammable gasoline splashing onto a hot engine could cause a fire.

LCD Service Minder & Hour Meter

When the ignition key is rotated out of the **STOP** position but not into the **START** position, the LCD Service Minder and Hour Meter will briefly display the battery voltage, followed by the tractor's accumulated hours.

NOTE: Hours of tractor operation are recorded any time the ignition key is rotated out of the **STOP** position, regardless of whether the engine is started.

The LCD Service Minder will remind the operator of maintenance intervals for changing the engine oil, air filter service, low engine and low battery warnings.

Change Oil

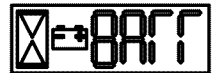
The LCD will display the letters "CHG", followed by the letters "OIL", followed by the letters "SOON", then finally followed by the meter's accumulated time. "CHG/OIL/SOON/TIME" will alternate on the display for 7 minutes after the meter reaches 50 hours. This oil service minder interval will occur every 50 hours. Before the interval expires, change the engine oil as instructed in the Maintenance section of this Operator's Manual.

Low Oil

The letters "LO" followed by the letters "OIL", then followed by the meter's accumulated time will indicate the tractor is low on oil. Stop the tractor immediately and check the engine oil level as instructed in this Owner's Manual.

Low Battery

At startup, the battery voltage is briefly displayed then changes to accumulated hours. The letters "LO" will display followed by the letters "BATT" and then followed by the meter's accumulated time. "LO/BATT/TIME" is displayed on the LCD when the voltage drops below 11.5 volts. When this occurs, the battery is in need of a charge or the engine's charging system is not generating sufficient amperage. Charge the battery as instructed in the Service section of this manual or have the charging system checked by your local service dealer.




Air Filter Service

The letters "CLN" will display, followed by the letters "AIR", followed by "FILT", then followed by the meter's accumulated time. "CLN/AIR/FILT/TIME" will alternate on the display for 7 minutes after the meter reaches 25 hours. This air filter service minder time interval will be every 25 hours. On intervals that are common with oil service, the oil message will be displayed first followed by the air filter message. See the Engine Operator's Manual for filter cleaning and replacements instructions.




Throttle/Choke Control

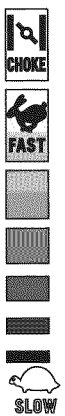
The throttle/choke control is located on the LH console to the left of the operator's seat. When set in a given position, a uniform engine speed will be maintained.

Push the throttle/choke control handle forward to increase the engine speed. The riding mower is designed to operate with the throttle/choke control in the **FAST**  position when the riding mower is being driven and the mower deck is engaged.

Pull the throttle/choke control handle rearward to decrease the engine speed.

When starting the engine, push the control handle fully forward into the **CHOKE**  position.


After starting and warming the engine, move the control handle rearward until you feel it move past the choke detent.



General Safety

- **RECEIVE INSTRUCTION** — Entirely read this operator's manual. Learn to operate this machine SAFELY. Do not risk INJURY or DEATH. Allow only those who have become competent in its usage to operate this riding mower.
- Before starting the engine or beginning operation, be familiar with the controls. The operator should be in the operator's seat. The PTO switch must be in the disengaged position, the parking brake engaged, and the RH and LH drive control levers moved fully outward in the neutral position.

OPERATION

- Keep all shields in place. Keep away from moving parts.
- NO RIDERS! Keep all people and pets a safe distance away. Look behind and down to both sides of the riding mower before and while backing up.
- DO NOT direct the mower discharge at people.
- Avoid slopes where possible. Never operate on slopes greater than 15°. Slopes with a greater incline present dangerous operating conditions. Riding mowers can be rolled over.
- Before leaving the operator's seat: Shut off the PTO, move the RH and LH drive control levers fully outward in the neutral position, engage the parking brake , shut off the engine and remove the ignition key. Wait for all movement to stop before servicing or cleaning.
- Operate the drive control levers smoothly and avoid any sudden movements of the levers when starting and stopping. Keep a firm grip on the control levers.
- Be careful when operating near roadways. Stop the riding mower motion and wait for vehicles to pass before operating along the road.
- Do not operate the riding mower with the mower deck removed. Removal of the deck will change the balance of the riding mower, and could contribute to a riding mower rollover.
- Avoid operation on traction surfaces that are unstable; use extreme caution if the surface is slippery.
- Slow down before turning and come to a complete stop before any zero turn maneuver.
- Do not stop the riding mower or park the riding mower over combustible materials such as dry grass, leaves, debris, etc.
- Do not fill the fuel tank when the engine is running or while the engine is hot. Allow the engine several minutes to cool before refueling. Tighten the fuel cap securely.

Before Operating Your Riding mower

- Before you operate the riding mower, study this manual carefully to familiarize yourself with the operation of all the instruments and controls. It has been prepared to help you operate and maintain your riding mower efficiently.
- This engine is certified to operate only on clean, fresh, unleaded regular gasoline. For best results, fill the fuel tank with only clean, fresh, unleaded gasoline with a pump sticker octane rating of 87 or higher.
- Unleaded gasoline is recommended because it leaves less combustion chamber deposits and reduces harmful exhaust emissions. Leaded gasoline is not recommended and must not be used where exhaust emissions are regulated.
NOTE: Purchase gasoline in small quantities. Do not use gasoline left over from the previous season, to minimize gum deposits in the fuel system.
- Gasohol (up to 10% ethyl alcohol, 90% unleaded gasoline by volume) is an approved fuel. Other gasoline/alcohol blends are not approved.
- Methyl Tertiary Butyl Ether (MTBE) and unleaded gasoline blends (up to a maximum of 15% MTBE by volume) are approved fuels. Other gasoline/ether blends are not approved.
- Check the engine oil level.
- Clean the air cleaner element if necessary.
- Check the tire inflation pressures.
- Adjust the seat for operator's maximum comfort, visibility and for maintaining complete control of the riding mower.

Safety Interlock System

This riding mower is equipped with a safety interlock system for the protection of the operator. If the interlock system should ever malfunction, do not operate the riding mower. Call 1-888-331-4569 to schedule service from Sears Parts & Repair.

- The safety interlock system prevents the engine from cranking or starting unless the RH and LH drive control levers are moved fully outward to each side in the neutral position, the parking brake is engaged, and the PTO is disengaged.
- To avoid sudden movement when disengaging the parking brake, the safety interlock system will shut off the engine if the RH and/or LH drive control levers are moved to a position other than the fully out in the neutral position when the parking brake is engaged.
- The safety interlock system will shut off the engine if the operator leaves the seat before engaging the parking brake.
- The safety interlock system will shut off the engine if the operator leaves the seat with the PTO engaged, regardless of whether the parking brake is engaged.
NOTE: The PTO switch must be moved to the "OFF" position to restart the engine.
- With the ignition key in the NORMAL MOWING position, the PTO clutch will automatically shut off if the PTO is moved into the ENGAGED (ON) position with both drive control levers moved into the reverse position.

Starting the Engine

WARNING

This riding mower is equipped with a safety interlock system designed for the protection of the operator. Do not operate the riding mower if any part of the interlock system is malfunctioning. Periodically check the functions of the interlock system for proper operation.

WARNING

For personal safety, the operator must be sitting in the riding mower seat when starting the engine.

1. Operator must be sitting in the tractor seat with the control levers fully outward in neutral (parking brake on).
2. Make certain the PTO switch is in the disengaged (down) position. Refer to Figure 11.

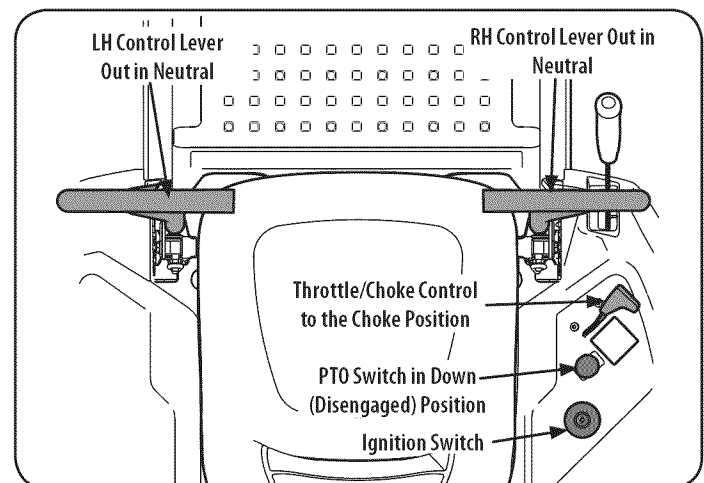






Figure 11

OPERATION

3. Move the throttle/choke control lever fully forward into the CHOKE  position.

NOTE: If the engine is warmed up, it may not be necessary to place the throttle/choke control in the CHOKE  position.

4. Turn the ignition key clockwise to the START  position and release it as soon as the engine starts; however, do not crank the engine continuously for more than 5 seconds at a time. If the engine does not start within this time, turn the key to STOP  and wait at least 15 seconds to allow the engine's starter motor to cool. Try again after waiting. If after a few attempts the engine fails to start, do not keep trying to start it with the choke closed as this will cause flooding and make starting more difficult.
5. As the engine warms up, gradually pull the throttle/choke control lever rearward past the choke detent position. Do not use the choke position to enrich the fuel mixture, except as necessary to start the engine.
6. Allow the engine to run for a few minutes at mid throttle before putting the engine under load.

Cold Weather Starting

When starting the engine at temperatures near or below freezing, ensure the correct viscosity motor oil is used in the engine and the battery is fully charged. Start the engine as follows:

1. Be sure the battery is in good condition. Also, a warm battery has much more starting capacity than a cold battery.
2. Use fresh winter grade fuel. Winter grade gasoline has higher volatility to improve starting. Do not use gasoline left over from summer.
3. Follow the previous instruction for Starting the Engine.

Using Jumper Cables To Start Engine

WARNING




Batteries contain sulfuric acid and produce explosive gasses. Make certain the area is well ventilated, wear gloves and eye protection, and avoid sparks or flames near the battery.

If the battery charge is not sufficient to crank the engine, recharge the battery. If a battery charger is unavailable and the riding mower must be started, the aid of a booster battery will be necessary. Connect the booster battery as follows:

1. Connect the end of one cable to the disabled riding mower battery's positive terminal; then connect the other end of that cable to the booster battery's positive terminal.
2. Connect one end of the other cable to the booster battery's negative terminal; then connect the other end of that cable to the frame of the disabled riding mower, as far from the battery as possible.
3. Start the disabled riding mower following the normal starting instructions previously provided; then disconnect the jumper cables in the exact reverse order of their connection.
4. Have the riding mower's electrical system checked and repaired as soon as possible to eliminate the need for jump starting.

Stopping the Engine

1. Place the PTO switch in the OFF position.
2. Move the RH and LH drive control levers fully outward in the neutral position (parking brake on).

3. Move the throttle/choke control to midway between the SLOW  and FAST  positions.
4. Turn the ignition key to the STOP  position and remove the key from the ignition switch.

NOTE: Always remove the key from the ignition switch to prevent accidental starting or battery discharge if the equipment is left unattended.

Practice Operation (Initial Use)

Operating a zero-turn riding mower is not like operating a conventional type riding mower. Because a zero turn riding mower is more maneuverable, getting used to operating the control levers takes some practice.

We strongly recommend that you locate a reasonably large, level and open "practice area" where there are no obstructions, pedestrians, or animals. You should practice operating the riding mower for a minimum of 30 minutes.

Carefully move — or have an experienced user move — the riding mower to the practice area. When performing the practice session, the PTO should not be engaged. While practicing, operate the riding mower at approximately $\frac{1}{2}$ - $\frac{3}{4}$ throttle and at less than full speed in both forward and reverse.

Carefully practice maneuvering the riding mower and proceed to drive as described in the following Driving the Riding mower Forward section.

Driving the Riding mower

WARNING

Avoid sudden starts, excessive speed and sudden stops.

1. Adjust the operator's seat to the most comfortable position that allows you to operate the controls. See "Adjusting the Seat" the Assembly section.
2. Move the RH and LH drive control levers inward in the neutral position. Refer to Figure 12.

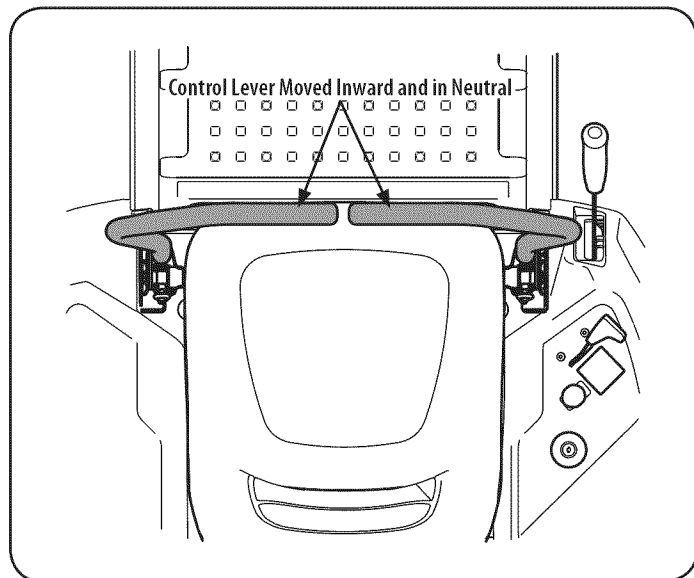



Figure 12

NOTE: If the control levers are not even in the neutral position, refer to Service and Maintenance for instructions to adjust the levers so that they are even.

3. Move the throttle/choke control lever forward to the FAST  (full throttle) position.

OPERATION

NOTE: Although the riding mower's engine is designed to run at full throttle, when performing a practice session the riding mower must be operated at less than full throttle. This only applies to practice.

⚠ WARNING

Always maintain a firm grip on the control levers. DO NOT release the control levers to slow or stop the riding mower; move levers to neutral position using your hands.

4. To drive the riding mower, firmly grasp the respective drive control levers with your right and left hands and continue with Driving the Riding mower Forward.

Driving the Riding mower Forward

⚠ WARNING

Keep all movement of the drive control levers slow and smooth. Abrupt movement of the control levers can affect the stability of the riding mower and could cause the riding mower to flip over, which may result in serious injury or death to the operator.

1. Slowly and evenly move both drive control levers forward. The riding mower will start to move forward. See Figure 13.

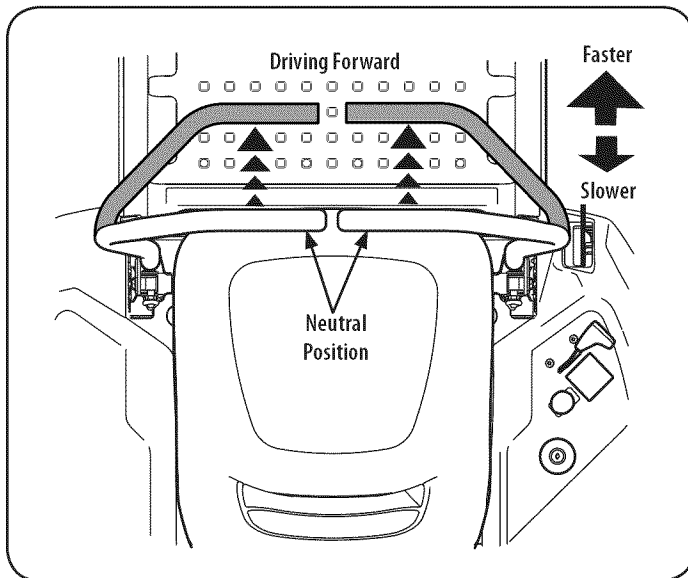


Figure 13

2. As the control levers are pushed farther forward the speed of the riding mower will increase.
3. To slow the riding mower move the controls lever rearward to attain the desired speed, or move the levers to the neutral position to stop the riding mower.

⚠ WARNING

Always maintain your grasp on the drive control levers. Do not release the levers to slow the riding mower or to return to neutral.

Turning the Riding mower While Driving Forward

⚠ WARNING

When reversing the direction of travel, we recommend performing gradual 'U' turns where possible. Sharper turns increase the possibility of turf defacement, and could affect control of the riding mower. ALWAYS slow the riding mower before making sharp turns.

To turn the riding mower while driving forward, move the control levers as necessary so that one lever is rearward of the other. The riding mower will turn in the direction of the rearward control lever.

1. To turn to the left, move the left drive control lever rearward of the right lever. See Figure 14.

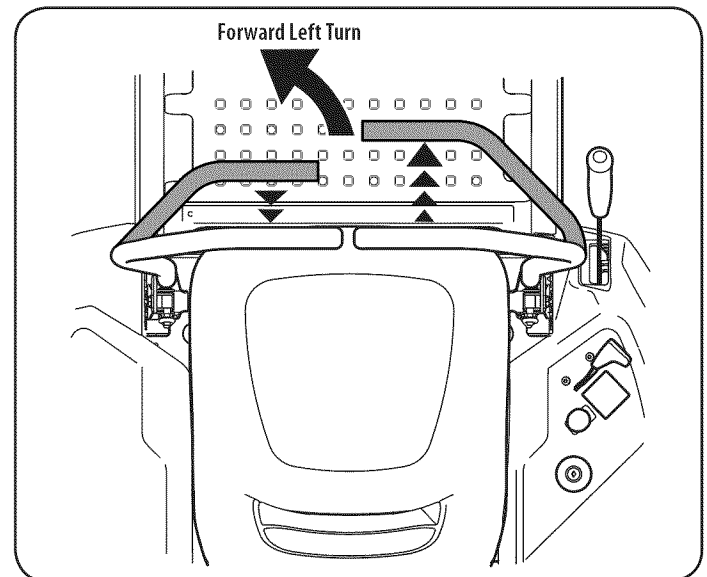


Figure 14

2. To turn to the right, move the right drive control lever rearward of the left lever. See Figure 15.

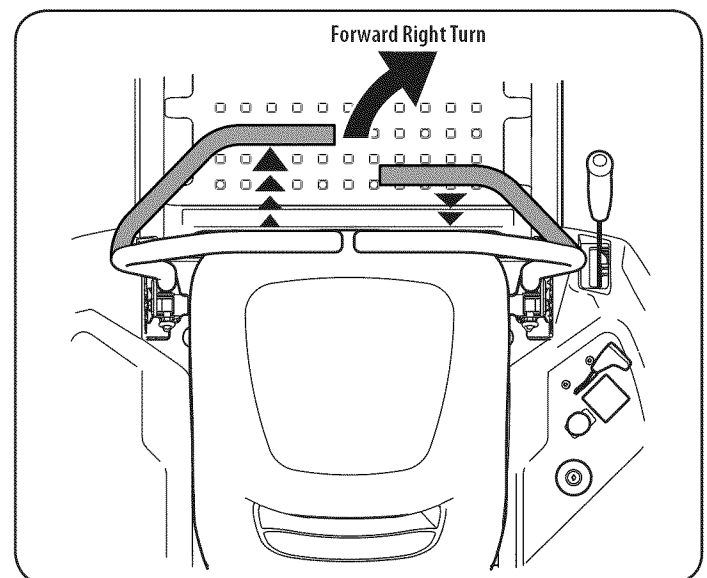


Figure 15

OPERATION

3. The greater the fore-to-aft distance between the two levers, the sharper the riding mower will turn.
4. To execute a zero turn move the turn side drive control lever to the inward neutral position, while moving the other control lever forward.

NOTE: Making a zero turn while the vehicle is moving will greatly increase the potential for defacement of the turf. For turf protection and to avoid personal injury, always stop the vehicle before executing a zero turn.

Driving the Riding mower In Reverse

WARNING

Always look behind and down on both sides of the riding mower before backing up. Always look behind while traveling in the reverse direction.

1. Slowly and evenly move both drive control levers rearward. The riding mower will start to move in the reverse direction. See Figure 16.

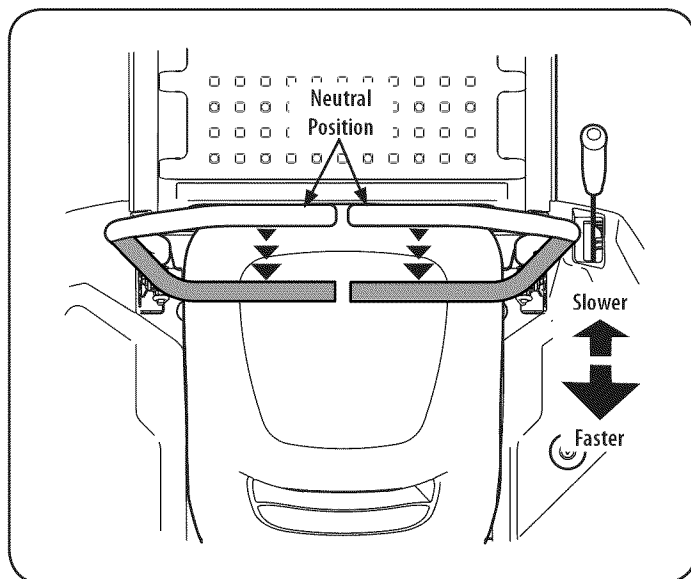


Figure 16

2. As the control levers are pushed farther rearward the speed of the riding mower will increase.
3. To slow the riding mower move the controls lever forward to attain the desired speed, or move the levers to the neutral position to stop the riding mower.

Turning While Driving Rearward

1. To turn the riding mower while driving rearward, move the control levers as necessary so that one lever is forward of the other. The riding mower will turn in the direction of the forward control lever.
2. To turn to the left while traveling in reverse, move the left drive control lever forward of the right lever. See Figure 17.

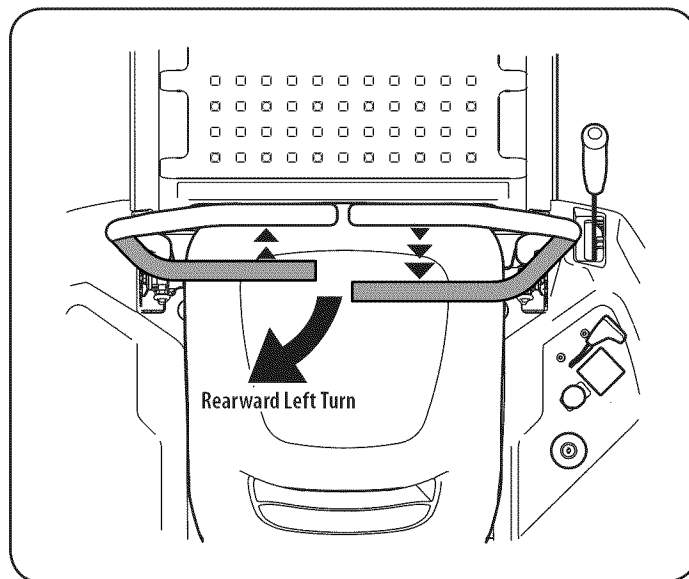


Figure 17

3. To turn to the right while traveling in reverse, move the right drive control lever forward of the left lever. See Figure 18.




Figure 18

4. The greater the fore-to-aft distance between the two levers, the sharper the riding mower will turn.
5. To execute a zero turn, move the turn side drive control lever to the neutral position, while moving the other control lever rearward.

NOTE: Making a zero turn while the vehicle is moving will greatly increase the potential for defacement of the turf. For turf protection and to avoid personal injury, always stop the vehicle before executing a zero turn.


OPERATION

Reverse Caution Mode

The REVERSE CAUTION MODE  position of the key switch module allows the tractor to be operated in reverse with the blades (PTO) engaged.



NOTE: Mowing in reverse is not recommended.



WARNING! Use extreme caution while operating the tractor in the REVERSE CAUTION MODE . Always look down and behind before and while backing. Do not operate the tractor when children or others are around. Stop the tractor immediately if someone enters the area.

To use the REVERSE CAUTION MODE :

NOTE: The operator **MUST** be seated in the tractor seat.

1. Start the engine as instructed on the previous page.
2. Turn the key from the NORMAL MOWING  (Green) position to the REVERSE CAUTION MODE  (Yellow) position of the ignition switch module. See Figure 19.

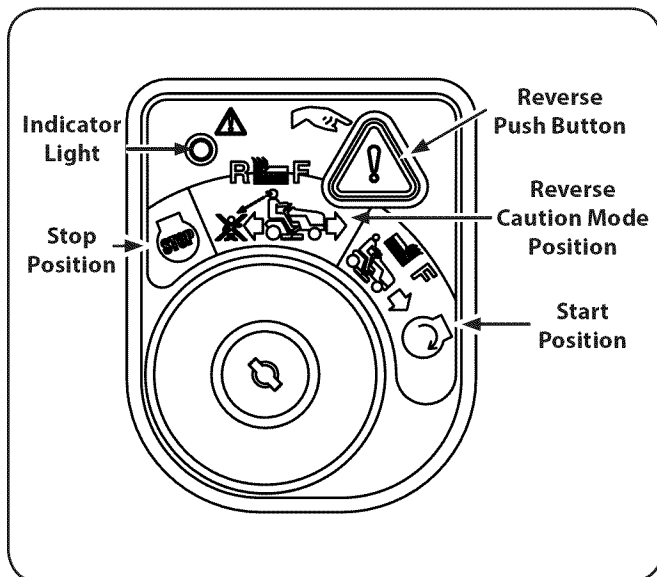
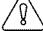





Figure 19

3. Press the REVERSE PUSH BUTTON  (Orange, Triangular Button) at the top, right corner of the key switch module. The red indicator light at the top, left corner of the ignition switch module will be ON while activated. See Figure 19.
4. Once activated (indicator light ON), the tractor can be driven in reverse with the cutting blades (PTO) engaged.
5. Always look down and behind before and while backing to make sure no children are around. After resuming forward motion, return the key to the NORMAL MOWING  position.

The REVERSE CAUTION MODE  will remain activated until:

- a. The key is placed in either the NORMAL MOWING  position or STOP  position or
- b. The operator leaves the seat.

Executing a Zero Turn

WARNING

When executing a zero turn, the riding mower **MUST BE STOPPED**. Executing a zero turn while the riding mower is moving can significantly reduce your control of the riding mower and will cause severe turf defacement to occur.

1. Stop the forward or reverse motion of the riding mower by moving the two drive control levers to neutral.
2. To turn clockwise, move the left control lever forward while simultaneously moving the right control lever rearward. See Figure 20.

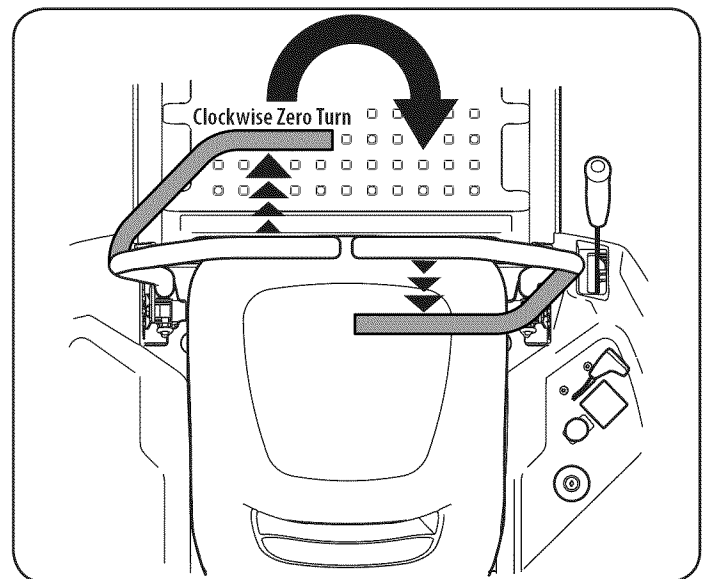


Figure 20

3. To turn counterclockwise, move the right control lever forward while simultaneously moving the left control lever rearward. See Figure 21.

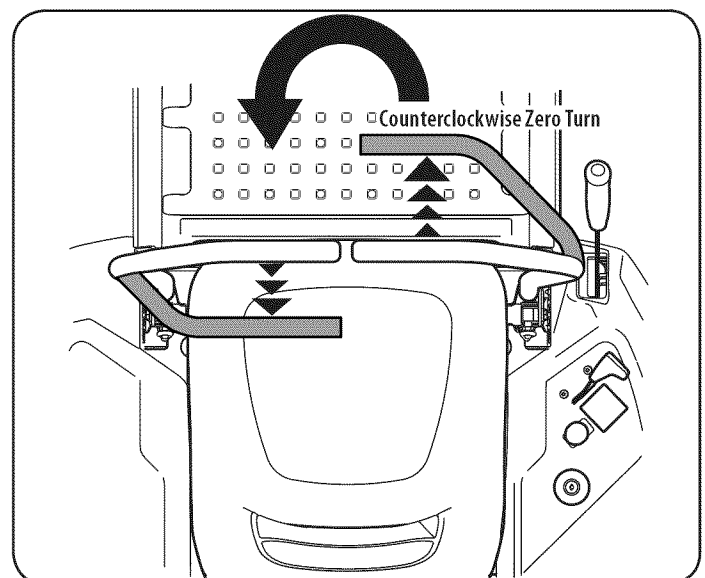




Figure 21

OPERATION

Stopping the Riding mower

1. Move both drive control levers to the neutral position (parking brake on) to stop the motion of the riding mower.
2. Push the PTO switch downward to the DISENGAGED position.
3. Use the deck lift handle to raise the deck to its highest position.
4. If dismounting the tractor, move the drive control handles fully outward in the neutral position which also engages the parking brake, move the throttle/choke control lever to the FAST  position, turn the ignition switch to STOP  and remove the key from the switch.

WARNING

Do not leave the seat of the riding mower without disengaging the PTO, moving drive control levers fully outward in the neutral position (parking brake on). If leaving the riding mower unattended, turn the ignition key off and remove key.

Driving On Slopes

Refer to the slope gauge in the Safe Operation Section to help determine slopes where you may not operate safely.


WARNING

Do not operate on inclines with a slope in excess of 15 degrees (a rise of approximately 2-½ feet every 10 feet). The riding mower could overturn and cause serious injury.

1. Always drive across slopes, never up and down. Control the speed and direction of the riding mower using primarily the control lever on the downhill side of the riding mower, with the uphill control lever remaining essentially in a fixed position.
2. Avoid turning downhill if possible. Start at the bottom of a slope and work upward. Always slow down before turning.
3. Use extra care and go slowly when turning downhill.

Operating The PTO

Operate the PTO clutch as follows:


1. Move the throttle/choke control lever to approximately the mid throttle position.
2. Pull the PTO switch upward to the ENGAGED position.
3. Advance the throttle/choke lever to the FAST  position (full throttle).
4. The operator must remain in the riding mower seat at all times. If the operator should leave the seat without turning off the power take-off switch, the riding mower's engine will shut off.
5. The PTO clutch cannot be operated when the tractor is driving in the reverse direction. The PTO will disengage when both drive control levers are moved to the reverse position. To re-engage the PTO, the levers must be in the neutral or forward drive position and the PTO switch must be placed in the OFF (disengaged) position and then returned to the ON (engaged) position.

Using the Mower Deck

WARNING

Make certain the area to be mowed is free of debris, sticks, stones, wire or other objects that can be thrown by the rotating blades.

NOTE: Do not engage the mower deck when lowered in grass. Premature wear and possible failure of the 'V' belt and PTO clutch will result. Fully raise the deck or move to a non-grassy area before engaging the mower deck.

1. Mow across slopes, not up and down. If mowing a slope, start at bottom and work upward to ensure turns are made uphill.
2. On the first pass pick a point on the opposite side of the area to be mowed.
3. Engage the PTO clutch using the PTO switch and move the throttle/choke control to the FAST  position.
4. Lower the mower deck to the desired height setting using the lift handle.
5. Slowly and evenly push the RH and LH drive control levers forward to move the riding mower forward, and keep the riding mower headed directly toward the alignment point.
NOTE: The speed of the riding mower will affect the quality of the mower cut. Mowing at full speed will adversely affect the cut quality. Control the ground speed with the control levers.
6. When approaching the other end of the strip, slow down or stop before turning. A U-turn is recommended unless a zero turn is required.
7. Align the mower with an edge of the mowed strip and overlap approximately 3".
8. Direct the riding mower on each subsequent strip to align with a previously cut strip.
9. To prevent rutting or grooving of the turf, if possible, change the direction that the strips are mowed by approximately 45° for the next and each subsequent mowing.

WARNING


Be careful when crossing gravel paths or driveways. Disengage the PTO and raise the deck to the highest position before crossing.

NOTE: When stopping the riding mower for any reason while on a grass surface, always:

- Place the control levers in neutral (parking brake on),
- Shut engine off and remove the key.
- Doing so will minimize the possibility of having your lawn "browned" by hot exhaust from your riding mower's running engine.

Checking the Safety Interlock Circuits

Periodically check the safety interlock circuits to ensure they are working properly. If a safety circuit is not working as designed, contact your Cub Cadet dealer to have the tractor inspected. DO NOT operate the tractor if any safety circuit is not functioning properly. To check the safety circuits, proceed as follows:

1. Pull the PTO switch upward to the engaged position. Momentarily turn the ignition switch to the start  position; the engine should not crank.
2. Move both control levers fully inward in the neutral position; then lift upward from the operator's seat. The engine should stop.
3. With both control levers fully outward in the neutral/parking brake engaged position, engage the PTO. Lift upward from the operator's seat; the engine should stop.
4. Start the tractor and move the control levers inward to the neutral operating position. Engage the PTO and move both control lever slowly into the slow reverse position; the PTO should disengage and the mower deck should stop.

SERVICE AND MAINTENANCE

MAINTENANCE SCHEDULE

⚠ WARNING

Before performing any type of maintenance/service, disengage all controls and stop the engine. Wait until all moving parts have come to a complete stop. Disconnect spark plug wire and ground it against the engine to prevent unintended starting. Always wear safety glasses during operation or while performing any adjustments or repairs.

Follow the maintenance schedule given below. This chart describes service guidelines only. Use the Service Log column to keep track of completed maintenance tasks. To schedule service from Sears Parts & Repair, call 1-888-331-4569.

Interval	Item	Service	Service Log
Each use	<ol style="list-style-type: none"> Mower and exhaust area Hydraulic Transaxle Tires and pressure Deck, mower and drive belts Blades and bolt tightness Safety switch operation 	<ol style="list-style-type: none"> Clean Check for leaks Check Check Check Check 	
Every 25 hours	<ol style="list-style-type: none"> Spindle Bearings 	<ol style="list-style-type: none"> Grease 	
Every 50 hours	<ol style="list-style-type: none"> Wear Points Grease fitting 	<ol style="list-style-type: none"> Lubricate Lubricate 	
Every 100 hours	<ol style="list-style-type: none"> Cooling shrouds and cooling areas Fasteners and components 	<ol style="list-style-type: none"> Remove and clean Check and secure 	
Every season/Before storage	<ol style="list-style-type: none"> Pivot points Control handle Extension spring 	<ol style="list-style-type: none"> Lubricate Lubricate Lubricate 	
After mowing	<ol style="list-style-type: none"> Mower and exhaust area Wear points 	<ol style="list-style-type: none"> Clean Lubricate 	
Once Monthly	<ol style="list-style-type: none"> Spindle Pulleys V-Belt 	<ol style="list-style-type: none"> Clean Clean 	

⚠ WARNING

Before performing any maintenance or repairs, disengage the PTO, move the drive control levers fully outward in the neutral position, engage the parking brake, stop the engine and remove the key to prevent unintended starting.

Engine Maintenance

Refer to the Engine Operator's Manual for all engine maintenance procedures and instructions.

Changing the Engine Oil

⚠ WARNING

If the engine has been recently run, the engine, muffler and surrounding metal surfaces will be hot and can cause burns to the skin. Exercise caution to avoid burns.

To complete an oil change, proceed as follows:

- Run the engine for a short time to warm the engine oil. The oil will flow more freely and carry away more impurities. Use care to avoid burns from hot oil.

- Locate the oil drain hose on the left side of the engine. See Figure 21.

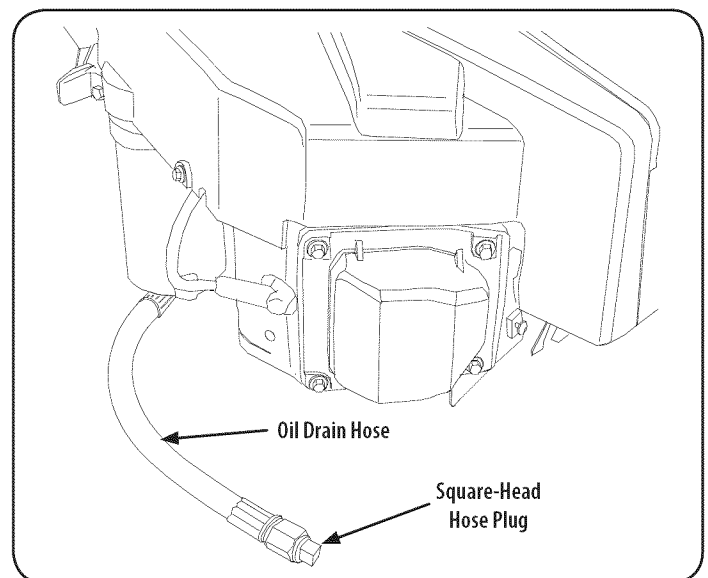


Figure 21

SERVICE AND MAINTENANCE

3. Route the free end of the oil drain hose toward an appropriate oil collection container with at least a 2.5 quart capacity, to collect the used oil. Remove the oil fill cap/dipstick from the oil fill tube.
4. While holding the free end of the oil drain hose over the oil collection container, unscrew the square head hose plug from the end of the hose. See Figure 21. Drain the engine oil into the collection container.
5. Route the free end of the oil drain hose toward an appropriate oil collection container with at least a 2.5 quart capacity, to collect the used oil.
6. Once the oil has finished draining, replace the square head hose plug and fill the engine as instructed in the engine owner's manual. See engine owner's manual included with this tractor for oil capacity.

Tire Maintenance

Check the tire air pressure after every 50 hours of operation or weekly. Keep the tires inflated to the recommended pressures. Improper inflation will shorten the tire service life. See the tire side wall for proper inflation pressures. Observe the following guidelines:

- Do not inflate a tire above the maximum pressure shown on the sidewall of the tire.
- Do not reinflate a tire that has been run flat or seriously under inflated. Have a qualified tire mechanic inspect and service the tire.

Lubrication

- Using a pressure lubricating gun, lubricate the front castor wheel axles and the front pivot axle with No. 2 multipurpose lithium grease after every 10 hours of service.
- Periodically lubricate all other pivot points; i.e. the seat pivot bracket, idler pivot bracket on the deck, deck lift shaft assembly, etc. with a quality lubricating oil.

General Battery Information

⚠ WARNING

Should battery acid accidentally splatter into the eyes or onto the skin, rinse the affected area immediately with clean cold water. If there is any further discomfort, seek prompt medical attention. If acid spills on clothing, first dilute it with clean water, then neutralize with a solution of ammonia/water or baking soda/water.

⚠ WARNING

NEVER connect (or disconnect) battery charger clips to the battery while the charger is turned on, as it can cause sparks. Keep all sources of ignition (cigarettes, matches, lighters) away from the battery. The gas generated during charging can be combustible. As a further precaution, only charge the battery in a well ventilated area. Always shield eyes and protect skin and clothing when working near batteries.

⚠ WARNING

Batteries contain sulfuric acid and may emit explosive gases. Use extreme caution when handling batteries. Keep batteries out of the reach of children.

Battery Maintenance

The battery is filled with battery acid and then sealed at the factory. However, even a "maintenance free" battery requires some maintenance to ensure its proper life cycle.

- Spray the terminals and exposed wire with a battery terminal sealer, or coat the terminals with a thin coat of grease or petroleum jelly, to protect against corrosion.
- Always keep the battery cables and terminals clean and free of corrosion.
- Avoid tipping. Even a sealed battery will leak electrolyte when tipped.

Battery Removal

⚠ WARNING

Battery posts, terminals and related accessories contain lead and lead compounds. Wash hands after handling.

The battery is located beneath the seat frame. To remove the battery:

1. Remove the hex washer screw securing the battery hold-down bracket to the frame. Then flip the battery hold-down bracket up to free the battery. See Figure 22.

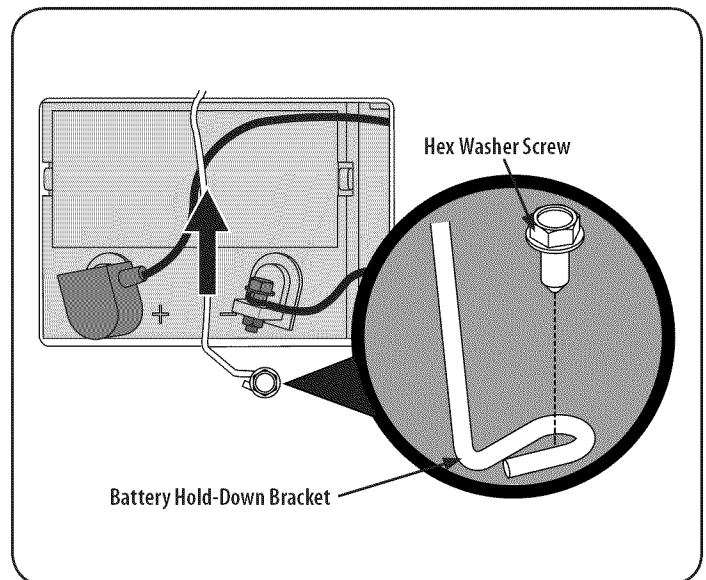


Figure 22

Remove the hex cap screw and sems nut securing the black negative battery lead to the negative battery post (marked NEG). Move the cable away from the negative battery post.

2. Remove the hex cap screw and sems nut securing the red positive battery lead to the positive battery post (marked POS).
3. Carefully lift the battery out of the tractor.
4. Install the battery by repeating the above steps in the reverse order.

⚠ WARNING

Always connect the positive lead to the battery before connecting the negative lead. This will prevent sparking or possible injury from an electrical short caused by contacting the riding mower body with tools being used to connect the cables.

SERVICE AND MAINTENANCE

Charging the Battery

1. Test and, if necessary, recharge the battery after the riding mower has been stored for a period of time.
2. A voltmeter or load tester should read 12.6 volts (DC) or higher across the battery terminals. See Figure 23.

Voltmeter Reading	State of Charge	Charging Time
12.7	100%	Full Charge
12.4	75%	90 Min.
12.2	50%	180 Min.
12.0	25%	280 Min.

Figure 23

3. Charge the battery with a 12-volt battery charger at a MAXIMUM rate of 10 amps.

Servicing Electrical System

A fuse is installed to protect the riding mower's electrical system from damage caused by excessive amperage. Always use the same capacity fuse for replacement. If the electrical system does not function, check for a blown fuse.

If you have a recurring problem with blown fuses, call 1-888-331-4569 to schedule electrical system service from Sears Parts & Repair.

Relays and Switches

There are several safety switches in the electrical system. If a function of the safety interlock system described earlier is not functioning properly, call 1-888-331-4569 to have the electrical system checked by Sears Parts & Repair.

Using the Deck Wash System

⚠ WARNING

When using the deck wash system, never engage the deck from any position other than the operator's seat of the riding mower. Do not use an assistant or engage deck in the presence of any bystanders.

1. Attach the nozzle adapter to a standard garden hose connected to a water supply.
2. Move the riding mower to an area within reach of the hose where the dispersal of wet grass clippings is not objectionable to you. Disengage the PTO, engage the parking brake, and stop the engine.

3. Pull back the lock collar of the nozzle adapter and push the adapter onto the deck wash nozzle at the left end of the mower deck. Release the lock collar to lock the adapter on the nozzle. Refer to Figure 24.

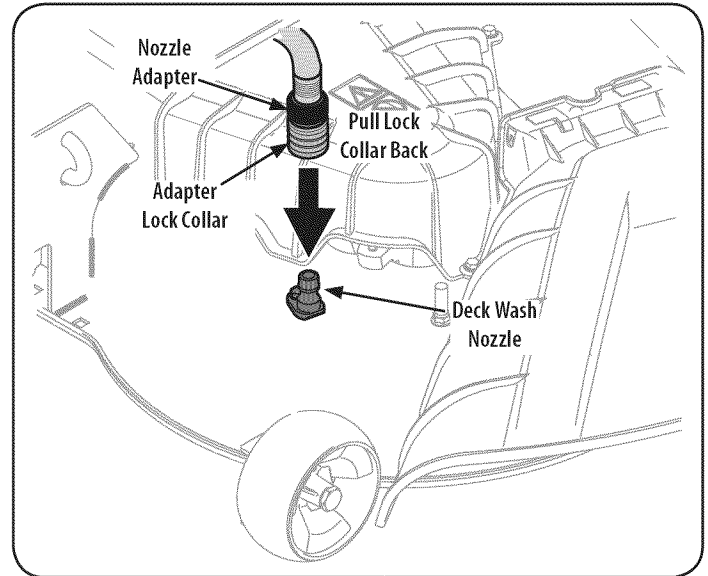


Figure 24

4. Turn on the water supply.
5. From the riding mower operator's seat, start the engine and engage the PTO. Allow to run as needed. Disengage the PTO and stop the engine.
6. Turn off the water supply.
7. Pull back the lock collar of the nozzle adapter to disconnect the adapter from the nozzle.

Cleaning the Spindle Pulleys

Once a month remove the belt covers to remove any accumulation of grass clippings from around the spindle pulleys and V-belt. Clean more often when mowing tall, dry grass.

SERVICE AND MAINTENANCE

Using the Transmission Bypass Rods

If for any reason the riding mower will not drive or you wish to move the riding mower, the two hydrostatic transmissions are equipped with a bypass rod that will allow you to manually move the riding mower short distances.

CAUTION

Do not tow the riding mower, even with the bypass rod engaged. Serious transmission damage will result from doing so.

1. Locate the hydrostatic bypass rod in the rear of the riding mower. See Figure 25.

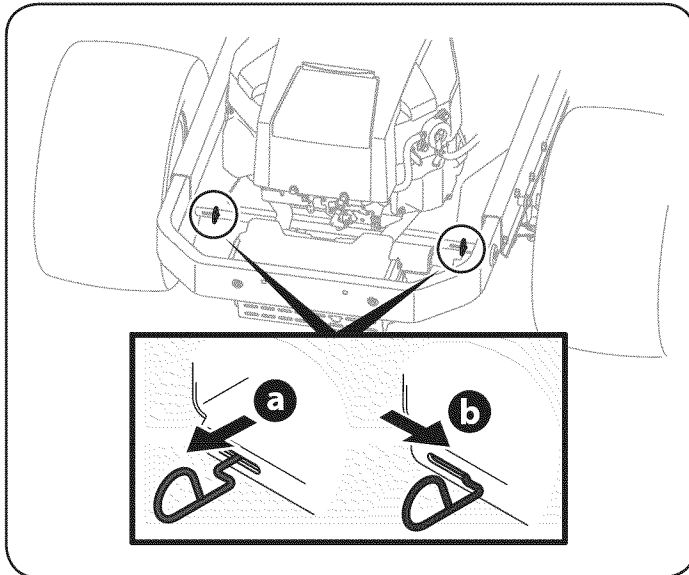


Figure 25

2. Engage the bypass rods by pulling each one out (a) and to the right (b) to lock it into place. See Figure 25.
3. Disengage the bypass rods by reversing steps a & b after moving the tractor. See Figure 25.

NOTE: The transmission will NOT engage when the hydrostatic bypass rod is pulled out. Return the rod to its normal position prior to operating the riding mower.

CAUTION

Never attempt to move the riding mower manually without first opening the hydrostatic relief valve. Doing so will result in serious damage to the riding mower's transmission.

Adjustments

CAUTION

Shut the engine off, remove the ignition key and engage the parking brake before making adjustments. Protect your hands by using heavy gloves when handling the blades.

Adjusting RH & LH Drive Control Levers

The RH and LH drive control levers can be adjusted up or down and forward or backward for the comfort of the operator. The drive control levers can be placed in either of two height positions, and/or can be moved forward or rearward within the range of the slot in each lower arm.

To adjust the drive control lever height, proceed as follows:

1. Remove the upper hex screw and flat washer securing the lever to the pivot bracket.
2. While supporting the control lever to keep it from falling, remove the hex screw and flat washer from the bottom of the control lever and lower arm. Refer to Figure 26.

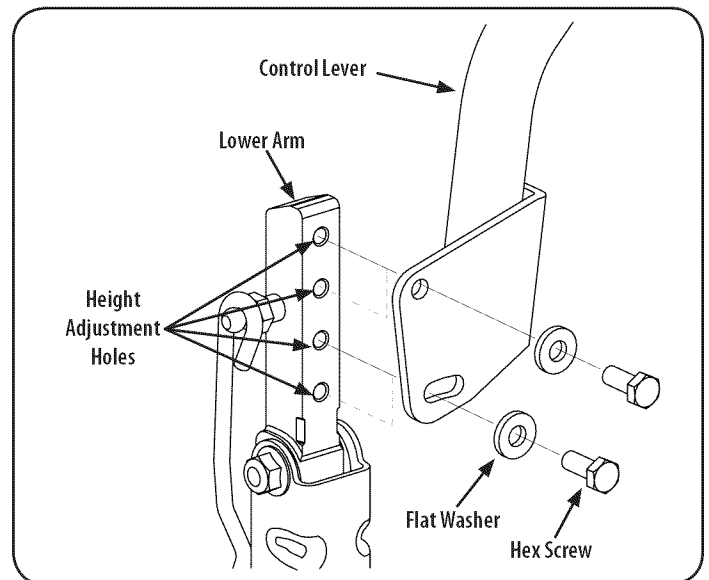


Figure 26

3. Reposition the control lever to align with the other set of holes in the lower arm and insert the hex screw through the flat washer and into the lower arm. Tighten the hex screw until snug.
4. Insert the hex screw through the flat washer and through the control lever slot and the lower arm. Do not tighten now.
5. If you are going to adjust the control levers forward or rearward, proceed to the next step. If not, fully tighten the hex screw.

To adjust the drive control levers forward/rearward, proceed as follows:

1. If not already loose, loosen the hex screw and rotate the control lever either forward or rearward to the desired position. See Figure 26.

NOTE: If the control lever is too tight to move, slightly loosen the hex screw at the bottom of the control lever.

2. Tighten the hex screw to fix the control lever in the adjusted position
3. Repeat the above procedure to adjust the other control lever into the same position. Adjust so that both levers are even with each other when in the neutral position.

SERVICE AND MAINTENANCE

Deck Leveling

NOTE: Check the tractor's tire pressure before performing any deck leveling adjustments. Refer to Tires for information regarding tire pressure.

WARNING

Shut the engine off, remove the ignition key and engage the parking brake before making adjustments. Protect your hands by using heavy gloves when handling the blades.

Leveling the Deck (Side-to-side)

NOTE: Check the tractor's tire pressure before performing any deck leveling adjustments. Refer to Tires for information regarding tire pressure. Always level the deck side-to-side before front to rear.

If the cutting deck appears to be mowing unevenly, a side-to-side adjustment can be performed. Adjust if necessary as follows:

1. With the tractor parked on a firm, level surface, place the deck lift handle in a middle mowing position and rotate both outside blades so that they are perpendicular with the tractor.
2. Measure the distance from the outside of the left blade tip to the ground and the distance from the outside of the right blade tip to the ground. Both measurements taken should be equal. If they're not, proceed to the next step.
3. Loosen, but do NOT remove, the hex bolt on the rear left deck hanger link. See Figure 27.

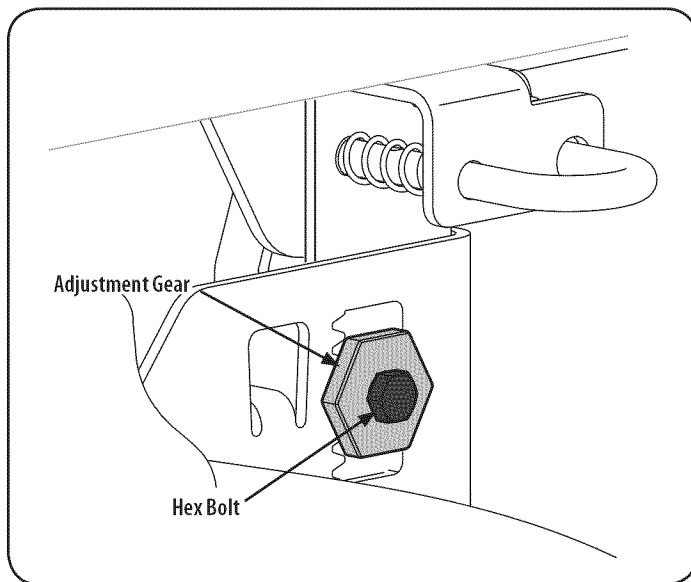


Figure 27

NOTE: The rear right deck hanger link is not adjustable and is used to help adjust the other hanger links.

4. Using a wrench, raise or lower the left side of the deck by turning the adjustment gear. See Figure 27.
5. The deck is properly leveled when both blade tip measurements are equal. Retighten the hex bolt on the front left deck hanger bracket when proper adjustment is achieved.

Leveling the Deck (Front-to-Back)

NOTE: Check the tractor's tire pressure before performing any deck leveling adjustments. Refer to Tires on page 22 for information regarding tire pressure. Always level the deck side-to-side before front to rear.

The front of the deck should be between 1/4-3/8" lower than the rear of the deck. Adjust if necessary as follows:

1. Park the tractor on a firm, level surface and place the deck lift handle in a middle position.
2. Rotate the blade nearest the discharge chute so that it is parallel with the tractor.
3. Measure the distance from the front of the blade tip to the ground and the rear of the blade tip to the ground. The first measurement taken should be between 1/4" and 3/8" less than the second measurement.
4. Determine the approximate distance necessary for proper adjustment and proceed, if necessary.
5. Using a wrench, loosen the jam nut first, then raise or lower the front of deck by turning hex nut on the front deck lift rod. See Figure 28.

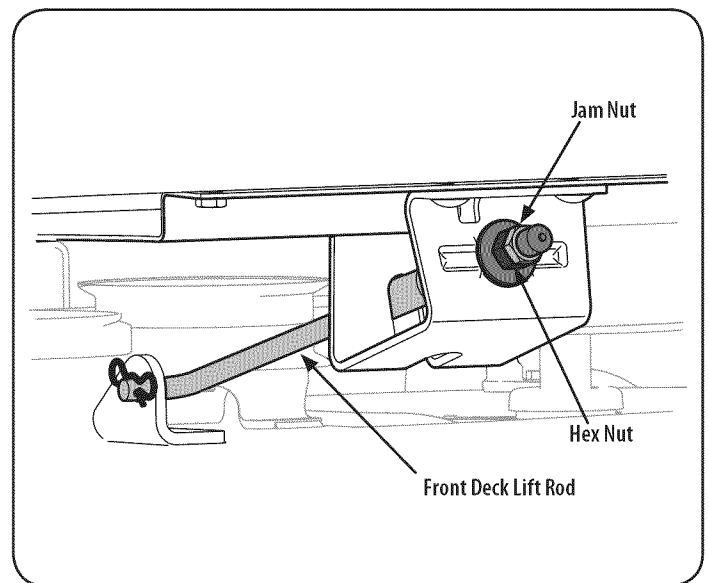


Figure 28

6. The deck is properly leveled when the front tip of the blade is 1/4" lower than the rear tip. Tighten the jam nut to the hex nut on the front deck lift rod when proper adjustment is achieved.

SERVICE AND MAINTENANCE

Adjusting the Gauge Wheels



WARNING

Keep hands and feet away from the discharge opening of the cutting deck.

NOTE: The deck gauge wheels are an anti-scalp feature of the deck and are not designed to support the weight of the cutting deck.

The mower deck cutting height can be set in any of six height settings using the riding mower's deck lift handle. The deck heights range from 1-1/2" to 4". The deck gauge wheel position should be approximately 1/4-1/2" above the ground when the deck is set in the desired height setting.

Using the lift handle, set the deck in the desired height setting, then check the gauge wheel distance from the ground below. If necessary adjust as follows:

1. Visually check the distance between the front gauge wheel and the ground. If the gauge wheel is near or touching the ground, it should be raised. If more than 1/2" above the ground, it should be lowered.
2. Remove the flange lock nut securing the front gauge wheel shoulder bolt to the deck. Remove the gauge wheel and shoulder bolt. Refer to Figure 29.

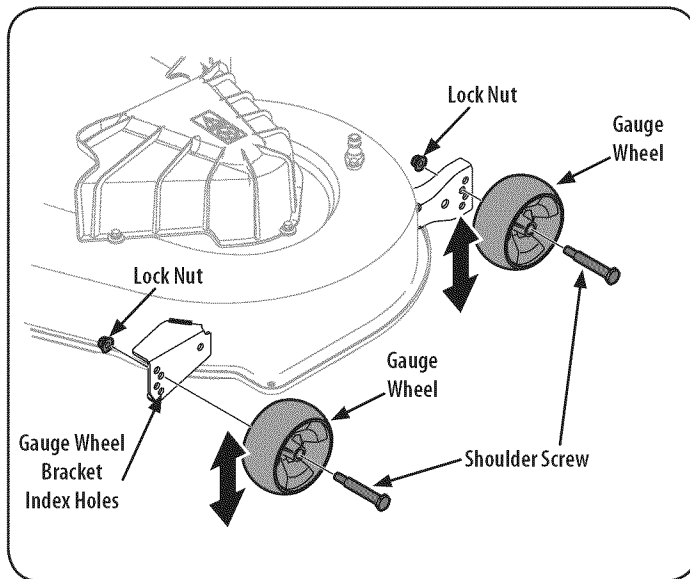


Figure 29

3. Insert the shoulder bolt into the one of four index holes in the front gauge wheel bracket that will give the gauge wheel a 1/4-1/2" clearance with the ground and secure with the flange lock nut.
4. Note the index hole of the just adjusted wheel, and adjust the rear gauge wheel into the respective index holes of the other gauge wheel bracket on the deck.

Drive Control Lever Stop Adjustment

When the drive control levers are both fully extended forward to the full-speed position and the tractor drifts left or right, the drive control lever stop adjustment can be adjusted to sync the wheel speeds. To perform the adjustment, proceed as follows:

1. Identify the side that the tractor is drifting to and adjust the opposite drive control lever. If the tractor drifts right, adjust the left control lever down (decrease speed) and vice versa.
2. Locate the drive control lever stop adjustment bolts on the front of the seat frame. See Figure 30.

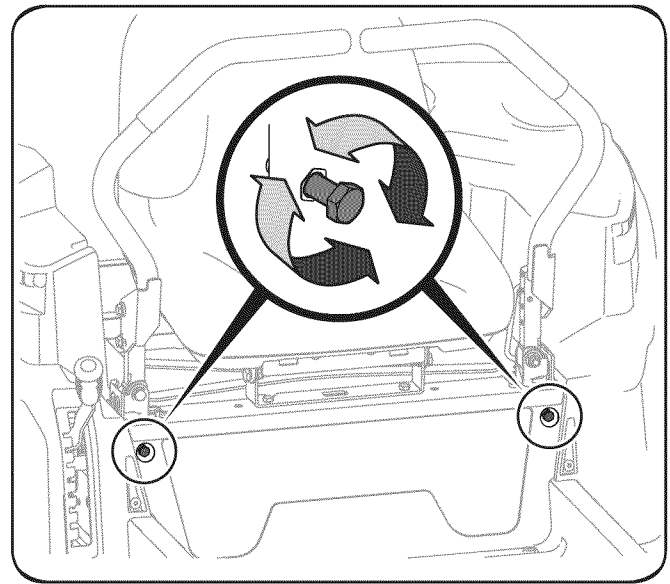


Figure 30

3. To decrease the forward speed, turn the bolt clockwise. To increase the forward speed, turn the bolt counter-clockwise. Turn the bolt in the necessary direction 1/4-turn at a time. After turning the bolt, check the adjustment by driving the tractor.
4. Continue the adjustment until the wheel speeds are in sync and the tractor drives straight with the drive control levers fully extended forward in the full-speed position.

Deck Removal

Remove the mower deck from the tractor as follows:

1. Move the tractor to a level surface, disengage the PTO, stop the engine, and set the parking brake.
2. Move the deck gauge wheels to their highest setting (lowest deck setting).
3. Remove the 'V' belt from the PTO pulley, located on the bottom of the engine, using one of the following two methods.



WARNING

The muffler at the rear of the tractor may be extremely hot, and could cause serious burns. Use extreme caution when near the muffler. Allow the muffler to fully cool before removing the belt from the PTO pulley.

SERVICE AND MAINTENANCE

4. Releasing Belt Tension with the Idler Pulley.
 - a. Using the deck lift handle, raise the deck to the position that provides the most horizontal run of the belt between the deck idler pulleys and the PTO pulley on the bottom of the engine. See Figure 31.

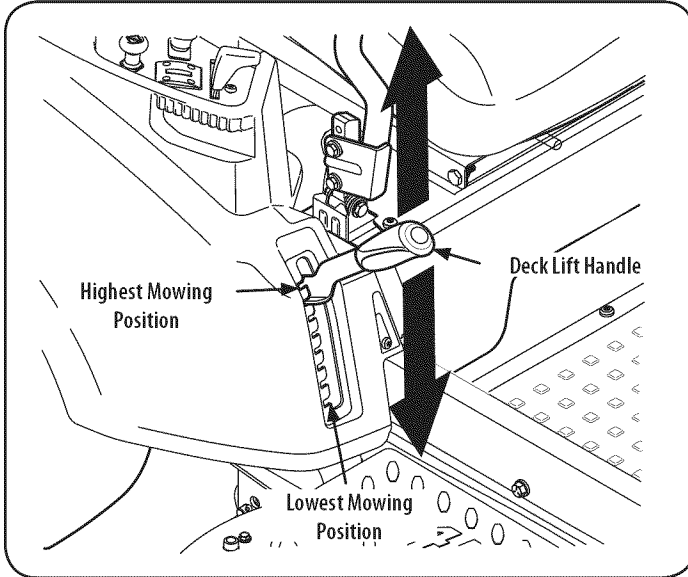


Figure 31

- b. Working from the middle of the tractor, pivot the idler bracket and movable idler pulley rearward away from the backside of the 'V' belt just far enough to lift the belt up and over the idler pulley. See Figure 32.

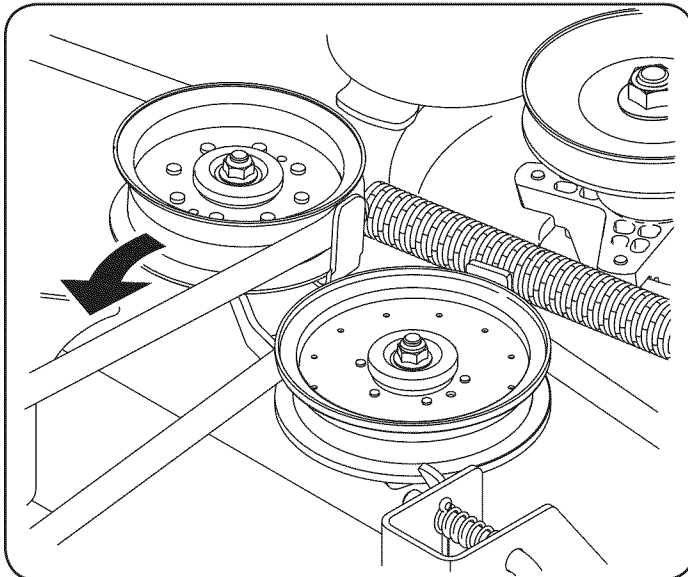


Figure 32

- c. From beneath the rear of the tractor, slide the belt off of the PTO pulley on the bottom of the engine.
5. Rolling the Belt off the PTO Pulley
 - a. Using the deck lift handle, raise the deck to the position that provides the most horizontal run of the belt between the deck idler pulleys and the PTO pulley on the bottom of the engine.

- b. Sitting behind the tractor facing forward, reach beneath the tractor to grasp the belt at the front of the PTO pulley.

⚠ WARNING

Use caution to avoid pinching your fingers when rolling the belt off the PTO pulley.

- c. Pull the left side of the belt rearward and downward while manually turning the PTO pulley to the right until the belt rides out onto the edge of the lower sheave of the pulley.

NOTE: If pulling the right side of the belt, turn the pulley left.

- d. While still holding the belt downward, continue turning the PTO pulley until the belt is rolled off the pulley. Refer to Figure 33.

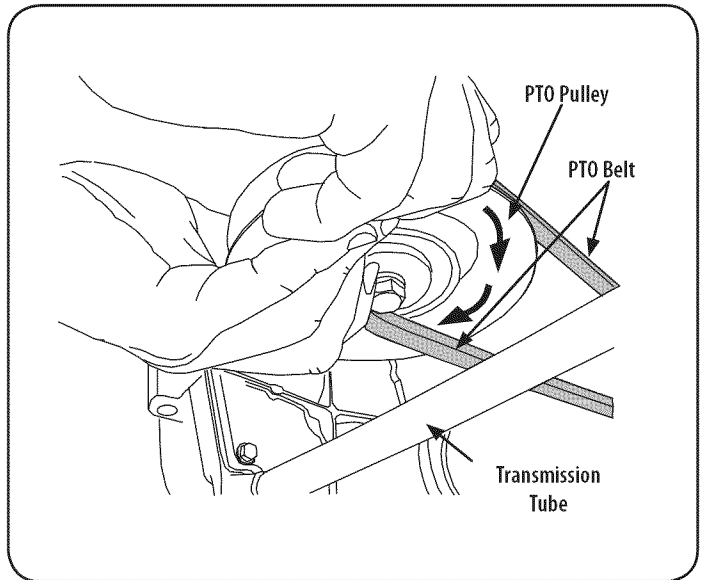


Figure 33

6. Lower the deck into the lowest position using the deck lift handle. See Figure 31.
7. Pull the cotter pin out of the front deck lift rod securing it to the deck. See Figure 34. Slide the deck lift rod out of the front hanger bracket.

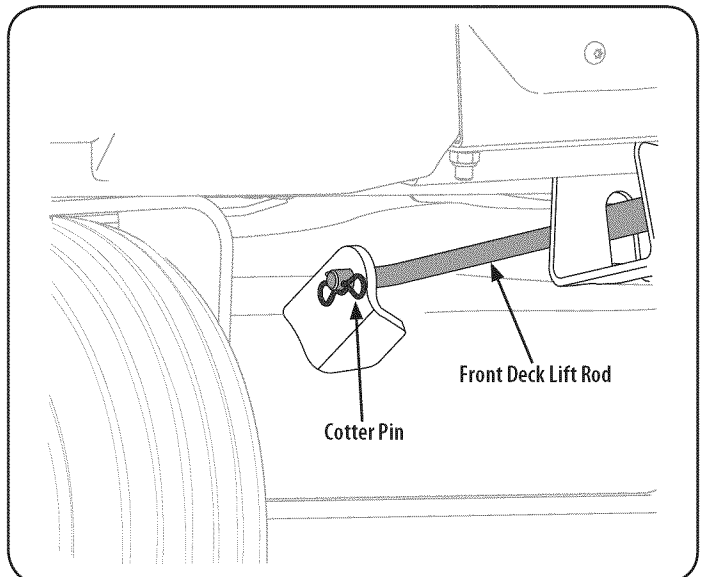


Figure 34

SERVICE AND MAINTENANCE

8. Locate the LH and RH deck release pins on each side of the deck. Pull the release pins outward and release the deck from the LH and RH deck lift arms. See Figure 35.

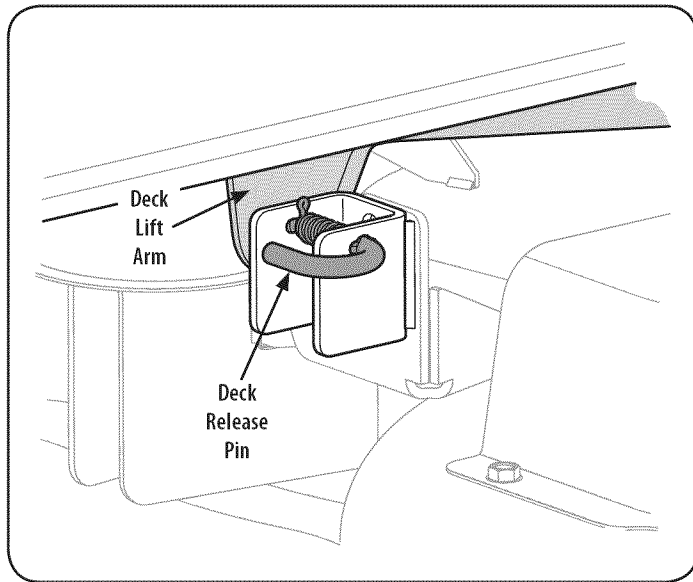


Figure 35

9. Place the deck lift handle in the highest mowing position and slide the deck out from beneath the tractor.

Deck Installation

Install the deck on the tractor as follows:

1. Place the deck lift handle in the highest mowing position See Figure 31.
2. Slide the deck under the tractor on the right side of the tractor lining up the deck hanger brackets and the deck lift arms..
3. Once the deck is under the tractor, move the deck lift handle to the lowest mowing position.
NOTE: To line the brackets up properly, it may be necessary to place a small block of wood under each side of the deck.
4. Pull the deck release pins outward and maneuver the deck as necessary to align the holes in the deck lift arms with the pins. Refer to Figure 35.
5. When aligned, push each pin fully inward through the lift arms to secure the arms in the rear hanger bracket slots.
6. Reinstall the front deck lift rod and secure in place with the cotter pin. Refer to Figure 34.
7. Make certain the 'V' belt is in the spindle pulleys on the deck; then route the belt rearward beneath the tractor frame, above the transmission tube(s), to the PTO pulley on the bottom of the engine.
8. Using the deck lift handle, raise the deck to the position that provides the most horizontal run of the belt between the deck idler pulleys and the PTO pulley on the bottom of the engine.
9. Make certain the belt is in the spindle pulleys of the deck, and that the backside of the belt is against both the fixed and movable idler pulleys.

10. Sitting behind the tractor, facing forward, make certain the belt is not twisted; then reach beneath the tractor to grasp the belt and pull it toward the PTO pulley.

WARNING

Use caution to avoid pinching your fingers when rolling the belt onto the PTO pulley.

11. Pull the right side of the belt rearward and place the narrow V side of the belt into the PTO pulley. See Figure 33.
12. While holding the belt and pulley together, rotate the pulley to the left (See Figure 33). Continue holding and rotating the pulley and belt until the belt is fully rolled into the PTO pulley.

NOTE: Before using the tractor double-check the belt routing to make sure that the belt has been routed properly.

Replacing the Deck Drive Belt

1. Remove the deck from beneath the tractor, (refer to Deck Removal).
2. Remove the hex washer screws securing the belt covers to the deck. See Figure 36.

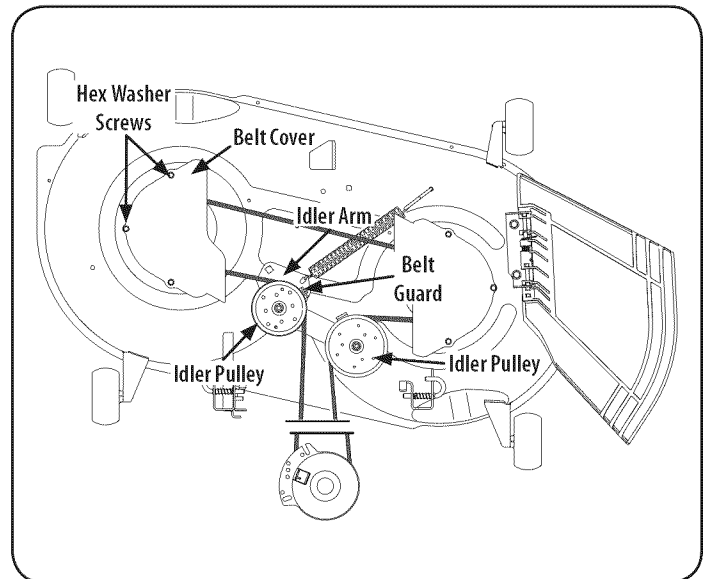


Figure 36

SERVICE AND MAINTENANCE

- Loosen, but do not remove, the movable idler pulley and belt guard by only loosening the flange lock nut securing the idler pulley to the idler arm. See Figure 37.

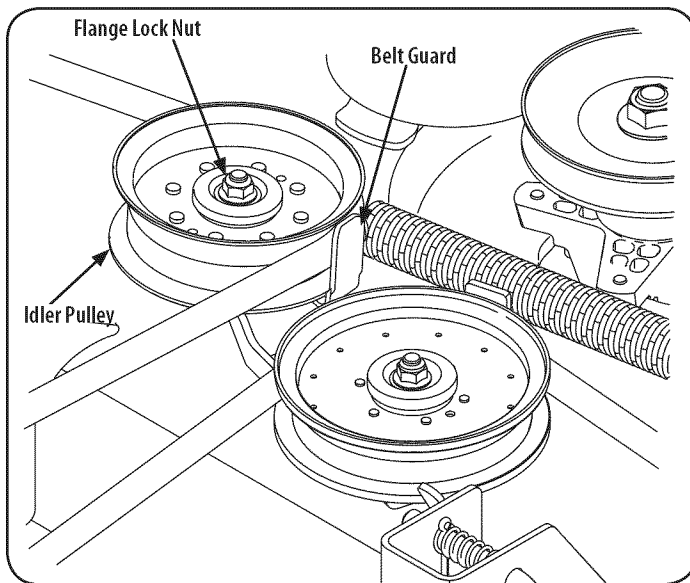


Figure 37

NOTE: Take note of the position of the belt guard to ensure it is properly re-installed.

- Remove the belt from the spindle pulleys.
- Install the new belt around the spindle pulleys as shown and reinstall the belt covers. See Figure 36.
- Place the belt around the idler pulleys removed in step 3 with the "V" side facing in. Once in place, reinstall all the hardware and tighten the flange lock nut to secure the assembly. See Figure 37.
- Route the belt as shown in Figure 37 and then reinstall the deck (refer to Deck Installation).

Mower Blade Care

WARNING

Before performing any maintenance, place the PTO switch in the "OFF" position, engage the parking brake lever, turn the ignition key to the "OFF" position and remove the key from the switch. Protect your hands by using heavy gloves when handling the blades. When servicing the mower deck, be careful not to cut yourself on the sharpened blades.

The cutting blades must be kept sharp at all times. Sharpen the cutting edges of the blades evenly so that the blades remain balanced and the same angle of sharpness is maintained.

If the cutting edge of a blade has already been sharpened many times, or if any metal separation is present, it is recommended that new blades be installed. New blades may be obtained through Sears Parts & Repair or by calling 1-888-331-4569.

The blades may be removed as follows.

- Remove the deck from beneath the riding mower, (refer to Deck Removal) then gently flip the deck over to expose its underside.

- Use a $1\frac{5}{16}$ " wrench to hold the hex nut on top of the spindle assembly when loosening the hex nut securing the blade. A block of wood may be placed between the deck housing and the cutting edge of the blade to help in breaking loose the hex nut securing the blade. See Figure 38.

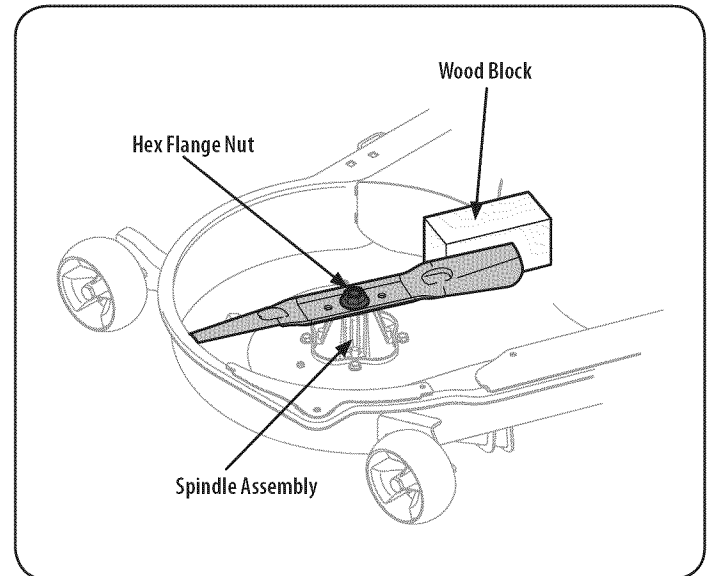


Figure 38

- When reinstalling the blades, be sure they are installed so that the wind wings are pointing upward toward the top of deck.
- Use a torque wrench to tighten the blade nuts to 70-90 ft. lbs.
- Reinstall the deck (refer to Deck Installation).

Transmission Drive Belt

Several components must be removed and special tools used in order to change the riding mower's transmission drive belt. See your Sears Service Center or to schedule service, simply contact Sears at 1-888-331-4569.

Tractor Creeping

Creeping is the slight forward or backward movement of the mower when the throttle is on and the speed control levers are in the neutral position. If your mower creeps, see an authorized service dealer.

OFF-SEASON STORAGE

WARNING

Never store garden riding mower with fuel in tank indoors or in poorly ventilated areas where fuel fumes may reach an open flame, spark, or pilot light as on a furnace, water heater, clothes dryer, or gas appliance.

Riding Mower Storage

If your riding mower is not going to be operated for an extended period of time (thirty days to approximately six months), the riding mower should be prepared for storage. Store the riding mower in a dry and protected location. If stored outside, cover the riding mower (including the tires) to protect it from the elements. The procedures outlined below should be performed whenever the riding mower is placed in storage.

1. Change the engine oil and filter following the instructions provided in the Service and Maintenance section of this manual.

WARNING

Never store the riding mower with fuel in the tank indoors or in poorly ventilated enclosures, where fuel fumes may reach an open flame, spark or pilot light as on a furnace, water heater, clothes dryer, etc.

2. If storing the riding mower for 30 days or more:
 - a. To prevent gum deposits from forming inside the engine's carburetor and causing possible malfunction of the engine, the fuel system must be either completely emptied, or the gasoline must be treated with a stabilizer to prevent deterioration.

WARNING

Fuel left in the fuel tank deteriorates and will cause serious starting problems.

- b. Using a fuel stabilizer:
 - Read the product manufacturer's instructions and recommendations.
 - Add to clean, fresh gasoline the correct amount of stabilizer for the capacity (approximately 3 gallons) of the fuel system.
 - Fill the fuel tank with treated fuel and run the engine for 2-3 minutes to get stabilized fuel into the carburetor.
 - c. Emptying the fuel system:
 - Prior to putting the riding mower in storage, monitor fuel consumption with the goal of running the fuel tank empty.
 - Start the engine and allow it to run out of fuel. This will prevent gum and varnish deposits from forming.
3. Remove the spark plugs and pour approximately one ounce of oil into each cylinder. Crank the engine one or two turns to spread the oil evenly on the cylinder walls. Replace the spark plugs.
4. Clean the engine and the entire riding mower thoroughly.

NOTE: Use of a pressure washer or garden hose is not recommended to clean your riding mower. They may cause damage to electrical components, spindles, pulleys, bearings or the engine. The use of water will result in shortened life and reduce serviceability.

5. Sharpen the blades so that the mower will be ready to use when needed.
6. Protect the metal surfaces. Repair scratches with the appropriate touch-up spray paint. Brush a rust preventive oil on any unpainted surfaces including the pulleys and blades. (Be careful not to get any oil on the drive belts.)
7. Clean and fully charge the battery, then disconnect the negative cable at the battery to prevent possible discharge. Recharge the battery periodically when in storage.

NOTE: Remove the battery if exposed to prolonged periods of sub-freezing temperatures. Store in a cool, dry location where temperatures are above freezing.
8. Lubricate all lubrication points.
9. Jack the mower up and store it on blocks to take the weight off of the tires.

Removing the Riding Mower from Storage

1. Check the engine oil.
2. Fully charge the battery, lower riding mower off blocks, and inflate the tires to the recommended pressure.
3. Remove the spark plugs and wipe them off. Using the starter, crank the engine to pump the excess oil out of the spark plug holes. Replace the spark plugs and the ignition leads.
4. If drained before storing, fill the fuel tank with clean, fresh gasoline.
5. Check the level of the engine oil in the crankcase and the hydraulic reservoir tank.
6. Start the engine and allow to idle for a few minutes to ensure engine is operating properly.
7. Drive the riding mower without a load to make certain all the riding mower systems are functioning properly.

TROUBLESHOOTING

WARNING

Before performing any type of maintenance/service, disengage all controls and stop the engine. Wait until all moving parts have come to a complete stop. Disconnect spark plug wire and ground it against the engine to prevent unintended starting. Always wear safety glasses during operation or while performing any adjustments or repairs.

This section addresses minor service issues. To locate the nearest Sears Service Center or to schedule service, simply contact Sears at 1-888-331-4569.

Problem	Cause	Remedy
Engine Fails to start	<ol style="list-style-type: none"> 1. PTO/Blade Engage knob engaged. 2. Parking brake not engaged. 3. Spark plug wire disconnected. 4. Throttle control lever not in correct starting position. 5. Fuel tank empty, or stale fuel. 6. Blocked fuel line or fuel filter. 7. Faulty spark plug. 8. Engine flooded. 9. Fuse(s) blown. 	<ol style="list-style-type: none"> 1. Place knob in disengaged (OFF) position. 2. Engage parking brake. 3. Connect wire to spark plug. 4. Place Throttle lever to FAST position. 5. Fill tank with clean, fresh (less than 30 days old) gas. 6. Replace fuel line. See a Sears or other qualified service dealer. Replace fuel filter. See the Engine Operator's manual. 7. Clean, adjust gap or replace plug. 8. Crank engine with throttle in FAST position. 9. Replace fuse.
Engine runs erratically	<ol style="list-style-type: none"> 1. Riding mower running with Choke activated. 2. Spark plug wire loose. 3. Blocked fuel line or stale fuel. 4. Vent in gas cap plugged. 5. Water or dirt in fuel system. 6. Dirty air cleaner. 	<ol style="list-style-type: none"> 1. Check that the electric choke is working. See a Sears or other qualified service dealer. 2. Connect and tighten spark plug wire. 3. Replace fuel line. See a Sears or other qualified service dealer. Fill tank with clean, fresh gasoline and replace fuel filter. See the Engine Operator's manual. 4. Clear vent or replace cap if damaged. 5. Drain fuel tank. Refill with clean, fresh gasoline. See the Engine Operator's manual. 6. Clean or replace air cleaner paper element or clean foam pre-cleaner. See the Engine Operator's manual.

NEED MORE HELP?

You'll find the answer and more on managemylife.com – for free!

- Find this and all your other product manuals online.
- Get answers from our team of home experts.
- Get a personalized maintenance plan for your home.
- Find information and tools to help with home projects.



brought to you by Sears

TROUBLESHOOTING

Problem	Cause	Remedy
Engine overheats	<ol style="list-style-type: none"> 1. Engine oil level low 2. Air flow restricted 	<ol style="list-style-type: none"> 1. Fill engine with proper amount and type of oil. 2. Clean grass clippings and debris from around the engine's cooling fins and blower housing.
Engine hesitates at high RPMs	<ol style="list-style-type: none"> 1. Spark plug gap set too close 	<ol style="list-style-type: none"> 1. Remove spark plug and adjust gap. See the Engine Operator's manual.
Engine idles poorly	<ol style="list-style-type: none"> 1. Fouled spark plug 2. Dirty air cleaner 	<ol style="list-style-type: none"> 1. Replace spark plug and adjust gap. See the Engine Operator's manual. 2. Clean or replace air cleaner element and/or clean pre-cleaner. See the Engine Operator's manual.
Excessive vibration	<ol style="list-style-type: none"> 1. Cutting blades loose or unbalanced 2. Damaged, dull, or bent cutting blade 	<ol style="list-style-type: none"> 1. Tighten blade and spindle. Balance blade. 2. Replace blade.
Uneven cut	<ol style="list-style-type: none"> 1. Deck not leveled properly. 2. Dull blade. 3. Uneven tire pressure. 	<ol style="list-style-type: none"> 1. Perform side-to-side deck adjustment. 2. Sharpen or replace blade. 3. Check tire pressure in all four tires.

NEED MORE HELP?

You'll find the answer and more on managemyhome.com – for free!

- Find this and all your other product manuals online.
- Get answers from our team of home experts.
- Get a personalized maintenance plan for your home.
- Find information and tools to help with home projects.



brought to you by Sears

**Sears Brands Management Corporation (Sears), the California Air Resources Board (CARB)
and the United States Environmental Protection Agency (U.S. EPA)
Emission Control System Warranty Statement (Owner's Defect Warranty Rights and Obligations)**

EMISSION CONTROL WARRANTY COVERAGE IS APPLICABLE TO CERTIFIED ENGINES PURCHASED IN CALIFORNIA IN 1995 AND THEREAFTER, WHICH ARE USED IN CALIFORNIA,

AND TO CERTIFIED MODEL YEAR 1997 AND LATER ENGINES WHICH ARE PURCHASED AND USED ELSEWHERE IN THE UNITED STATES (AND AFTER JANUARY 1, 2001 IN CANADA).

California and United States Emission Control Defects Warranty Statement

The California Air Resources Board (CARB), U.S. EPA and Sears are pleased to explain the Emission Control System Warranty on your model year 2000 and later small off-road engine (SORE). In California, new small off-road engines must be designed, built and equipped to meet the State's stringent anti-smog standards. Elsewhere in the United States, new non-road, spark-ignition engines certified for model year 1997 and later must meet similar standards set forth by the U.S. EPA. Sears must warrant the emission

control system on your engine for the periods of time listed below, provided there has been no abuse, neglect or improper maintenance of your small off-road engine. Your emission control system includes parts such as the carburetor, air cleaner, ignition system, muffler and catalytic converter. Also included may be connectors and other emission related assemblies. Where a warrantable condition exists, Sears will repair your small off-road engine at no cost to you including diagnosis, parts and labor.

Sears Emission Control Defects Warranty Coverage

Small off-road engines are warranted relative to emission control parts defects for a period of one year, subject to provisions set forth below. If any covered part on your

engine is defective, the part will be repaired or replaced by Sears.

Owner's Warranty Responsibilities

As the small off-road engine owner, you are responsible for the performance of the required maintenance listed in your Operating and Maintenance Instructions. Sears recommends that you retain all your receipts covering maintenance on your small off-road engine, but Sears cannot deny warranty solely for the lack of receipts or for your failure to ensure the performance of all scheduled maintenance. As the small off-road engine owner, you should however be aware that Sears may deny you warranty coverage if your small off-road engine or a part has failed due to abuse, neglect,

improper maintenance or unapproved modifications. You are responsible for presenting your small off-road engine to an Authorized Sears Service Dealer as soon as a problem exists. The undisputed warranty repairs should be completed in a reasonable amount of time, not to exceed 30 days. If you have any questions regarding your warranty rights and responsibilities, you should contact a Sears Service Representative at 1-800-469-4663. The emission warranty is a defects warranty. Defects are judged on normal engine performance. The warranty is not related to an in-use emission test.

Sears Emission Control Defects Warranty Provisions

The following are specific provisions relative to your Emission Control Defects Warranty Coverage. It is in addition to the Sears engine warranty for non-regulated engines found in the Operating and Maintenance Instructions.

1. Warranted Parts

Coverage under this warranty extends only to the parts listed below (the emission control systems parts) to the extent these parts were present on the engine purchased.

- a. Fuel Metering System
 - Cold start enrichment system
 - Carburetor and internal parts
 - Fuel Pump
- b. Air Induction System
 - Air cleaner
 - Intake manifold
- c. Ignition System
 - Spark plug(s)
 - Magneto ignition system
- d. Catalyst System
 - Catalytic converter
 - Exhaust manifold
 - Air injection system or pulse valve
- e. Miscellaneous Items Used in Above Systems
 - Vacuum, temperature, position, time sensitive valves and switches
 - Connectors and assemblies

2. Length of Coverage

Sears warrants to the initial owner and each subsequent purchaser that the Warranted Parts shall be free from defects in materials and workmanship which caused the failure of the Warranted Parts for a period of one year from the date the engine is delivered to a retail purchaser.

3. No Charge

Repair or replacement of any Warranted Part will be performed at no charge to the owner, including diagnostic labor which leads to the determination that a Warranted Part is defective, if the diagnostic work is performed at an Authorized Sears Service Dealer. For emissions warranty service contact your nearest Authorized Sears Service Dealer as listed in the "Yellow Pages" under "Engines, Gasoline," "Gasoline Engines," "Lawn Mowers," or similar category.

4. Claims and Coverage Exclusions

Warranty claims shall be filed in accordance with the provisions of the Sears Engine Warranty Policy. Warranty coverage shall be excluded for failures of Warranted Parts which are not original Sears parts or because of abuse, neglect or improper maintenance as set forth in the Sears Engine Warranty Policy. Sears is not liable to cover failures of Warranted Parts caused by the use of add-on, non-original, or modified parts.

5. Maintenance

Any Warranted Part which is not scheduled for replacement as required maintenance or which is scheduled only for regular inspection to the effect of "repair or replace as necessary" shall be warranted as to defects for the warranty period. Any Warranted Part which is scheduled for replacement as required maintenance shall be warranted as to defects only for the period of time up to the first scheduled replacement for that part. Any replacement part that is equivalent in performance and durability may be used in the performance of any maintenance or repairs. The owner is responsible for the performance of all required maintenance, as defined in the Sears Operating and Maintenance Instructions.

6. Consequential Coverage

Coverage hereunder shall extend to the failure of any engine components caused by the failure of any Warranted Part still under warranty.

In the USA and Canada, a 24 hour hot line, **1-800-469-4663**, has a menu of pre-recorded messages offering you engine maintenance information.

FEDERAL and/or CALIFORNIA EMISSION CONTROL WARRANTY STATEMENT
YOUR WARRANTY RIGHTS AND OBLIGATIONS

MTD Consumer Group Inc, the United States Environmental Protection Agency (EPA), and for those products certified for sale in the state of California, the California Air Resources Board (CARB) are pleased to explain the evaporative emission control system (ECS) warranty on your 2014-2015 small off-road equipment (outdoor equipment). In California, new outdoor equipment must be designed, built and equipped to meet the State's stringent anti-smog standards (in other states, outdoor equipment must be designed, built, and equipped to meet the U.S. EPA small off-road spark ignition engine regulations). MTD Consumer Group Inc must warrant the ECS on your outdoor equipment for the period of time listed below, provided there has been no abuse, neglect, or improper maintenance of the outdoor equipment.

Your ECS may include parts such as fuel tanks, fuel lines, fuel caps, valves, canisters, filters, vapor hoses, clamps, connectors, and other associated emission-related components.

Where a warrantable condition exists, MTD Consumer Group Inc will repair your outdoor equipment at no cost to you including diagnosis, parts, and labor.

MANUFACTURER'S WARRANTY COVERAGE:

This emission control system is warranted for two years. If any emission-related part on your outdoor equipment is defective, the part will be repaired or replaced by MTD Consumer Group Inc.

OWNER'S WARRANTY RESPONSIBILITIES:

As the outdoor equipment owner, you are responsible for performance of the required maintenance listed in your owner's manual. MTD Consumer Group Inc recommends that you retain all receipts covering maintenance on your outdoor equipment, but MTD Consumer Group Inc cannot deny warranty solely for the lack of receipts.

As the outdoor equipment owner, you should however be aware that MTD Consumer Group Inc may deny you warranty coverage if your outdoor equipment or a part has failed due to abuse, neglect, improper maintenance, or unapproved modifications.

You are responsible for presenting your outdoor equipment to MTD Consumer Group Inc's distribution center or service center as soon as the problem exists. The warranty repairs should be completed in a reasonable amount of time, not to exceed 30 days. If you have a question regarding your warranty coverage, you should contact the MTD Consumer Group Inc Service Department at 1-800-800-7310 or at <http://support.mtdproducts.com>.

GENERAL EMISSIONS WARRANTY COVERAGE:

MTD Consumer Group Inc warrants to the ultimate purchaser and each subsequent purchaser that the outdoor equipment is: (1) designed, built, and equipped so as to conform with all applicable regulations; and (2) free from defects in materials and workmanship that cause the failure of a warranted part for a period of two years.

The warranty period begins on the date the outdoor equipment is delivered to an ultimate purchaser or first placed into service.

Subject to certain conditions and exclusions as stated below, the warranty on emission-related parts is as follows:

1. Any warranted part that is not scheduled for replacement as required maintenance in the written instructions supplied is warranted for the warranty period stated above. If the part fails during the period of warranty coverage, the part will be repaired or replaced by MTD Consumer Group Inc according to subsection (4) below. Any such part repaired or replaced under warranty will be warranted for the remainder of the period.
2. Any warranted part that is scheduled only for regular inspection in the written instructions supplied is warranted for the warranty period stated above. Any such part repaired or replaced under warranty will be warranted for the remaining warranty period.
3. Any warranted part that is scheduled for replacement as required maintenance in the written instructions supplied is warranted for the period of time before the first scheduled replacement date for that part. If the part fails before the first scheduled replacement, the part will be repaired or replaced by MTD Consumer Group Inc according to subsection (4) below. Any such part repaired or replaced under warranty will be warranted for the remainder of the period prior to the first scheduled replacement point for the part.
4. Repair or replacement of any warranted part under the warranty provisions herein must be performed at a warranty station at no charge to the owner.
5. Notwithstanding the provisions herein, warranty services or repairs will be provided at all of our distribution centers that are franchised to service the subject engines or equipment.
6. The outdoor equipment owner will not be charged for diagnostic labor that is directly associated with diagnosis of a defective, emission-related warranted part, provided that such diagnostic work is performed at a warranty station.
7. MTD Consumer Group Inc is liable for damages to other engine or equipment components proximately caused by a failure under warranty of any warranted part.
8. Throughout the off-road engine and equipment warranty period stated above, MTD Consumer Group Inc will maintain a supply of warranted parts sufficient to meet the expected demand for such parts.
9. Any replacement part may be used in the performance of any warranty maintenance or repairs and must be provided without charge to the owner. Such use will not reduce the warranty obligations of MTD Consumer Group Inc.
10. Add-on or modified parts that are not exempted by the Air Resources Board may not be used. The use of any non-exempted add-on or modified parts by the ultimate purchaser will be grounds for disallowing a warranty claim. MTD Consumer Group Inc will not be liable to warrant failures of warranted parts caused by the use of a non-exempted add-on or modified part.

WARRANTED PARTS:

The repair or replacement of any warranted part otherwise eligible for warranty coverage may be excluded from such warranty coverage if MTD Consumer Group Inc demonstrates that the outdoor equipment has been abused, neglected, or improperly maintained, and that such abuse, neglect, or improper maintenance was the direct cause of the need for repair or replacement of the part. That notwithstanding, any adjustment of a component that has a factory installed, and properly operating, adjustment limiting device is still eligible for warranty coverage. Further, the coverage under this warranty extends only to parts that were present on the off-road equipment purchased.

The following emission warranty parts are covered (if applicable):

1. Fuel Metering System
 - Fuel pump
 - Fuel tank
2. Evaporative Control
 - Fuel hose
 - Fuel hose clamps
 - Tethered fuel cap
 - Carbon canister
 - Vapor lines

REPAIR PROTECTION AGREEMENT

Congratulations on making a smart purchase. Your new Craftsman® product is designed and manufactured for years of dependable operation. But like all products, it may require repair from time to time. That's when having a Repair Protection Agreement can save you money and aggravation.

Here's what the Repair Protection Agreement* includes:

- ☑ **Expert service** by our 10,000 professional repair specialists
- ☑ **Unlimited service and no charge** for parts and labor on all covered repairs
- ☑ **Product replacement** up to \$1500 if your covered product can't be fixed
- ☑ **Discount of 25%** from regular price of service and related installed parts not covered by the agreement; also, 25% off regular price of preventive maintenance check
- ☑ **Fast help by phone** – we call it Rapid Resolution – phone support from a Sears representative. Think of us as a “talking owner's manual.”

Once you purchase the Repair Protection Agreement, a simple phone call is all that it takes for you to schedule service. You can call anytime day or night, or schedule a service appointment online.

The Repair Protection Agreement is a risk-free purchase. If you cancel for any reason during the product warranty period, we will provide a full refund. Or, a prorated refund anytime after the product warranty period expires. Purchase your Repair Protection Agreement today!

Some limitations and exclusions apply. For prices and additional information in the U.S.A. call 1-800-827-6655.

***Coverage in Canada varies on some items. For full details call Sears Canada at 1-800-361-6665.**

Sears Installation Service

*For Sears professional installation of home appliances, garage door openers, water heaters, and other major home items, in the U.S.A. or Canada call **1-800-4-MY-HOME®**.*

ÍNDICE

Declaración de garantía	36	Servicio y Mantenimiento	56
Instrucciones de seguridad	37	Almacenamiento fuera de temporada	66
Guía para la operación en pendientes.....	42	Solución de Problemas	67
Montaje	43	Números de servicio	Contratapa
Funcionamiento	47		

DECLARACIÓN DE GARANTÍA

ARTESANO GARANTÍA LIMITADA

Durante dos años desde la fecha de compra, todas las partes no fungibles de este equipo de equitación están garantizados contra cualquier defecto de materiales o mano de obra.

Con la prueba de compra, una parte no fungibles defectuoso recibirá la reparación gratuita en su hogar o reemplazo a opción de vendedor.

LIMITED BATERÍA DE GARANTÍA

FOR 90 DAYS from the date of purchase, the battery (an expendable part) of this riding equipment is warranted against any defects in material or workmanship. With proof of purchase, a new battery will be supplied free of charge. You are responsible for the labor cost of battery installation.

SERVICIO DE GARANTÍA

Para detalles de la cobertura de garantía para obtener la reparación o sustitución gratuita, llame al 1-888-331-4569 o visite la página web: www.craftsman.com/warranty

En todos los casos anteriores, si es imposible la reparación parcial o sustitución, será reemplazado de forma gratuita el equipo de equitación con el mismo o un modelo equivalente.

Toda la cobertura de la garantía anterior es nula si el equipo de equitación se utiliza cada vez, mientras que la prestación de servicios comerciales o si alquila a otra persona.

Esta garantía cubre únicamente defectos de material y mano de obra.

La cobertura de garantía no incluye:

- Las partes consumibles (excepto la batería) que se desgasten por el uso normal dentro del periodo de garantía, incluyendo pero no limitado a las cuchillas, bujías, aire limpiadores, correas y filtros de aceite.
- Servicio de mantenimiento estándar, cambios de aceite o puestas a punto.
- El reemplazo o la reparación de neumáticos causada por pinchazos de objetos externos, como clavos, espinas, tocones o vidrios.
- Tire o la sustitución de la rueda o la reparación como consecuencia de un desgaste normal, accidente u operación o mantenimiento inadecuados.
- Reparaciones necesarias debido al abuso del operador, incluyendo pero no limitado a los daños causados por objetos de remolque más allá de la capacidad del caballo equipo, objetos que impactan que doblar la estructura, conjunto del eje o del cigüeñal, o sobre-exceso de velocidad del motor.
- Reparaciones necesarias debido a la negligencia del operador, incluyendo pero no limitado a, eléctricas y mecánicas daños causados por el almacenamiento inadecuado, falta de
- para usar el grado y la cantidad de aceite de motor, no mantener la cubierta limpia de residuos inflamables, o por no mantener el equipo de equitación
- de acuerdo con las instrucciones contenidas en el manual del operador.
- Motor (sistema de combustible) de limpieza o reparaciones causadas por combustible determinados a ser contaminado u oxidado (rancio). En general, el combustible debe usarse dentro de los 30 días siguientes a su fecha de compra.
- Deterioro y desgaste normal de los acabados exteriores, o el reemplazo etiqueta del producto.

Esta garantía le otorga derechos legales específicos, y usted también puede tener otros derechos que varían de estado a estado.

Sears Brands Management Corporation, Hoffman Estates, IL 60179

ESPECIFICACIONES DEL PRODUCTO

Aceite del motor: SAE 30

Combustible: Gasolina sin plomo

N.º DE MODELO

Número de modelo _____

Número de serie _____

Fecha de compra _____

Registre arriba el número del modelo, el número de serie y la fecha de compra.

INSTRUCCIONES DE SEGURIDAD

⚠ ADVERTENCIA

Este símbolo indica instrucciones de seguridad importantes que, de no observarse, podría poner en peligro la seguridad personal y / o la propiedad del mismo ya los demás. Lea y siga todas las instrucciones de este manual antes de operar esta máquina. El incumplimiento de estas instrucciones puede resultar en lesiones personales. Cuando vea este símbolo, PRESTE ATENCIÓN A SU ADVERTENCIA!

⚠ ADVERTENCIA

PROPOSICIÓN 65 DE CALIFORNIA

El escape del motor, algunos de sus componentes, y ciertos componentes del vehículo contienen o emiten sustancias químicas conocidas al Estado de California por causar cáncer y defectos de nacimiento u otros daños reproductivos.

Bornes de la batería, y accesorios relacionados contienen plomo y compuestos de plomo, sustancias químicas que el Estado de California que causan cáncer y daños al sistema reproductivo. Lávese las manos después de manipular.

⚠ PELIGRO

Esta máquina fue diseñada para ser utilizada de acuerdo con las prácticas de operación segura de este manual. Al igual que con cualquier tipo de equipo motorizado, o error por parte del operario puede causar lesiones graves. Esta máquina es capaz de amputar dedos, manos, dedos de los pies y los pies y los restos de lanzamiento. El incumplimiento de las instrucciones de seguridad puede resultar en lesiones graves o la muerte.

⚠ ADVERTENCIA

Su responsabilidad — Restrinja el uso de esta máquina motorizada a las personas que lea, entienda y siga las advertencias e instrucciones de este manual y en la máquina.

GUARDE ESTAS INSTRUCCIONES!

FUNCIONAMIENTO GENERAL

- Lea, entienda y siga todas las instrucciones de la máquina y en el manual (s) antes de intentar montar y operar. Guarde este manual en un lugar seguro para futuras referencias y regular y ordenar las piezas de recambio.
- Estar familiarizado con todos los controles y su correcto funcionamiento. Sepa cómo detener la máquina y desactivar de forma rápida.
- Nunca permita que niños menores de 14 años de edad para operar esta máquina. Niños de 14 años debe leer y comprender las instrucciones y de seguridad contenidas en este manual y en la máquina y deben ser entrenados y supervisados por un adulto.
- Nunca permita que los adultos a utilizar la máquina sin la instrucción apropiada.
- Para ayudar a evitar el contacto con las cuchillas o una lesión por algún objeto arrojado, mantenga a los observadores, ayudantes, niños y animales domésticos por lo menos 75 pies de distancia de la máquina mientras está en funcionamiento. Detenga la máquina si alguien entra en la zona.
- Inspeccione cuidadosamente el área donde el equipo se va a utilizar. Retire todas las piedras, palos, cables, huesos, juguetes y otros objetos extraños que podrían ser recogidos y arrojados por la cuchilla (s). Los objetos lanzados pueden causar lesiones personales graves.
- El plan de su patrón de corte para evitar la descarga de material hacia los caminos, veredas, los observadores, etc. Además, evite descargar material contra una pared u objeto que pueda causar descarga de material de rebote contra el operador.
- Siempre utilice gafas de seguridad o gafas de seguridad durante la operación y el desempeño de la máquina o para proteger sus ojos. Los objetos arrojados que rebotan pueden causar daño grave a los ojos.
- Use zapatos fuertes, de suela y zapatos de trabajo ajustada como pantalones y camisas. Ropa suelta y joyas pueden engancharse en las piezas móviles. Nunca opere la máquina con los pies descalzos o sandalias.
- Estar al tanto de la máquina y la dirección de descarga apego y no el punto que a nadie. No opere el cortacésped sin la cubierta de descarga o de césped todo en su lugar.
- No introducir las manos o los pies cerca de las piezas giratorias o bajo la plataforma de corte. Contacto con la hoja (s) puede amputar manos y pies.
- Una cubierta de descarga faltante o dañada puede causar contacto con las cuchillas o lesiones por objetos arrojados.
- Detener la hoja (s) cuando atravesase senderos, sendas o caminos y aunque no es el corte del césped.
- Cuidado con el tráfico cuando se trabaja cerca de o carreteras. Esta máquina no está diseñada para su uso en cualquier vía pública.
- No haga funcionar la máquina bajo la influencia del alcohol o las drogas.
- Corte el césped sólo con luz natural o luz artificial buena.
- Nunca lleve pasajeros.
- Retroceda lentamente. Siempre mire hacia abajo y hacia atrás antes y mientras retrocede, para evitar un accidente de regreso otra vez. Tenga en cuenta y prestar atención a la función del sistema de seguridad que detiene el poder de las palas cuando se conduce en sentido inverso. Si no funciona correctamente, póngase en contacto con un distribuidor autorizado para la inspección de seguridad y reparación del sistema.
- Reduzca la velocidad antes de girar. Operar la máquina sin problemas. Evite el funcionamiento errático y el exceso de velocidad.

INSTRUCCIONES DE SEGURIDAD

- Desconectar la hoja (s), freno de estacionamiento establecidos, apague el motor y esperar hasta que la hoja (s) llegar a una parada completa antes de retirar de césped, vaciar los recortes, destapar el canal, retirar restos de césped o desechos, o hacer cualquier ajuste.
- Nunca deje la máquina en funcionamiento sin vigilancia. Siempre apague la hoja (s), lugar de las palancas de control en la unidad de freno neutral, estacionamiento conjunto, apague el motor y quite la llave antes de bajarse.
- Tenga cuidado al cargar o descargar la máquina en un remolque o camión. Esta máquina no debe ser impulsada hacia arriba o abajo de la rampa (s), ya que el equipo podría caerse y causar lesiones personales graves. La máquina se debe empujar manualmente en la rampa (s) para cargar o descargar correctamente.
- Silenciador y el motor se calientan y pueden causar una quemadura. No se tocan.
- Compruebe el espacio libre encima de la cabeza antes de conducir en condiciones de poca ramas de los árboles colgantes, cables, etc puerta aperturas, en las que el operador golpeado o sacado de la máquina, lo que podría resultar en lesiones graves.
- Desenganche todos los embragues archivo adjunto, el freno de mano a la posición "ON" y mover el RH y LH palancas de control hasta la posición de punto muerto antes de intentar arrancar el motor.
- La máquina está diseñada para cortar el césped residencial normal de una altura de no más de 10 ". No trate de cortar a través inusualmente alto, hierba seca (por ejemplo, pastos) o pilas de hojas secas. Hierba y las hojas secas pueden comunicarse con el escape del motor y / o se acumulan en la plataforma de corte presentan un riesgo potencial de incendio.
- Utilice solamente accesorios y aditamentos aprobados para esta máquina por el fabricante de la máquina. Lea, entienda y siga todas las instrucciones que vienen con el accesorio aprobado o un archivo adjunto.
- Los datos indican que los operadores de 60 años y más, están involucrados en un gran porcentaje de cortacésped lesiones relacionadas. Estos operadores deben evaluar su capacidad para operar el riding mower cortacésped en forma suficientemente segura para protegerse a sí mismos ya los demás de una lesión grave.
- Si se presentan situaciones que no están cubiertos en este manual, tenga cuidado y buen juicio. Póngase en contacto con la Línea de Ayuda 1-888-331-4569 Craftsman en la asistencia.

PENDIENTE DE LA OPERACIÓN

Las pendientes son un factor importante relacionado con la pérdida de control y un accidente de vuelco, que puede resultar en lesiones graves o la muerte. Todas las pistas requieren mucha precaución. Si no se puede retroceder en la pendiente o si se siente seguro, no lo corte. Para su seguridad, use el indicador de pendientes que se incluye como parte de este manual para medir la pendiente antes de operar esta máquina en una zona inclinada. Si la pendiente es mayor de 15 grados como se muestra en el medidor, no opere esta máquina en que la lesión o la zona, podría producirse.

Hacer:

- Corte el césped en pendientes, no de arriba a abajo. Tenga mucho cuidado al cambiar de dirección en las pendientes.
- Atento a los hoyos, surcos, baches, piedras u otros objetos ocultos. El terreno desnivelado puede voltear la máquina. La hierba alta puede ocultar obstáculos.
- A baja velocidad. Elija una velocidad lo suficientemente baja para que usted no tendrá que parar en la pendiente. Evite arrancar o detenerse en una pendiente. Si los neumáticos son incapaces de mantener la tracción, desenganche las cuchillas y proceder lenta y cuidadosamente hacia abajo de la pendiente.
- Siga las recomendaciones del fabricante para los pesos o contrapesos de ruedas para mejorar la estabilidad.
- Tenga cuidado con los colectores de hierba u otros accesorios. Estos pueden cambiar la estabilidad de la máquina.
- Que todos los movimientos en las laderas lento y gradual. No realice cambios bruscos de velocidad o dirección. Rápida aceleración o desaceleración podría hacer que el frontal de la máquina se levante y darse la vuelta hacia atrás, lo que podría causar lesiones graves.

No se debe:

- No encienda las laderas menos que sea necesario, y luego girar lentamente hacia arriba y tenga sumo cuidado en las curvas.
- No corte el césped cerca de desniveles, zanjas o terraplenes. El cortacésped podría girar sobre si una rueda está sobre el borde de un acantilado, zanja, o si un borde cuevas pulg
- No intente estabilizar la máquina poniendo el pie en el suelo.
- No utilice un colector de césped en pendientes pronunciadas.
- No corte el césped mojado. Una menor tracción podría causar deslizamiento.
- No tire del remolque pesado detrás de accesorios (por ejemplo, carro cargado de descarga, rodillos de césped, etc) en pendientes de más de 5 grados. Cuando se va cuesta abajo, el exceso de peso tiende a empujar el riding mower y puede hacer que usted pierda el control (por ejemplo, riding mower se puede acelerar, frenar y dirigir la capacidad se reduce, el apego puede navaja y un riding mower causa para anular).

INSTRUCCIONES DE SEGURIDAD

NIÑOS

Pueden ocurrir accidentes trágicos si el operador no está atento a la presencia de los niños. Los niños son a menudo atraídos por la máquina y la actividad de siega. Ellos no entienden los peligros. Nunca asuma que los niños permanecerán en la última vez que los vi.

- Mantenga a los niños fuera del área de trabajo y en el cuidado vigilante de un adulto responsable que no sea el operador.
- Esté alerta y apague la máquina si un niño entra en el área.
- Para evitar retrasos en los accidentes, siempre mirar hacia atrás y hacia abajo para los niños pequeños.
- Nunca lleve niños, incluso con la hoja (s) se apagará. Podrían caerse y lastimarse seriamente o interferir con la operación segura de la máquina.
- Tenga mucho cuidado al acercarse a esquinas ciegas, portales, arbustos, árboles u otros objetos que puedan bloquear su visión de un niño que puede funcionar en el camino de la máquina.
- Mantenga a los niños alejados de los motores en funcionamiento o caliente. Se pueden sufrir quemaduras con un silenciador caliente.
- Retire la llave cuando la máquina está sin vigilancia para evitar el uso no autorizado

Nunca permita que niños menores de 14 años de edad para operar esta máquina. Niños de 14 años debe leer y comprender las instrucciones y de seguridad contenidas en este manual y en la máquina y deben ser entrenados y supervisados por un adulto.

REMOLQUE

Remolque únicamente con una máquina que tenga un enganche diseñado para remolcar. No remolcado excepto en el punto de enganche.

Siga las recomendaciones del fabricante en los límites de peso para el equipo de arrastre y remolque en pendientes.

Nunca permita que niños u otras personas o sobre los equipos remolcados.

En las pendientes, el peso del equipo remolcado puede causar pérdida de tracción y la pérdida de control.

Viaje lentamente y deje distancia adicional para detenerse.

No cambie a neutral y la costa abajo.

No tire del remolque pesado detrás de accesorios (por ejemplo, carro cargado de descarga, rodillos de césped, etc) en pendientes de más de 5 grados. Cuando se va cuesta abajo, el exceso de peso tiende a empujar el riding mower y puede hacer que usted pierda el control (por ejemplo, riding mower se puede acelerar, frenar y dirigir la capacidad se reduce, el apego puede navaja y un riding mower causa para anular).

SERVICIO

El manejo seguro de la gasolina:

Para evitar lesiones personales o daños materiales de uso extremo cuidado al manipular la gasolina. La gasolina es altamente inflamable y sus vapores son explosivos. Lesiones personales graves pueden ocurrir cuando la gasolina se ha derramado sobre ti mismo o sobre la ropa que se puede incendiar. Lávese la piel y cámbiese de ropa inmediatamente.

- Utilice sólo recipientes para gasolina autorizados.
- Nunca llene los recipientes dentro de un vehículo o en un camión o remolque con un revestimiento de plástico. Coloque siempre los recipientes en el suelo lejos de su vehículo antes de llenarlos.
- Cuando sea factible, retire el equipo a gasolina del camión o remolque y llénelo en el suelo. Si esto no es posible, llene el equipo en un remolque con un contenedor portátil, en lugar de un surtidor de gasolina.
- Mantenga la boquilla en contacto con el borde del tanque de combustible o la abertura del recipiente en todo momento hasta que se termine de llenar. No utilice una boquilla abierta dispositivo.
- Apague todos los cigarrillos, cigarros, pipas y otras fuentes de ignición.
- Nunca cargue combustible en la máquina.
- Nunca quite la tapa del gas o añadir combustible mientras el motor está caliente o en marcha. Deje que el motor se enfríe por lo menos dos minutos antes de repostar.
- Nunca llene excesivamente el depósito de combustible. Llene el tanque a no más de 1/2 "debajo del fondo del cuello de llenado para dejar espacio para la expansión del combustible.
- Reemplace la tapa de la gasolina y apriete bien.
- Si se derrama gasolina, limpie el motor y el equipo. Mueva la máquina a otra zona. Espere 5 minutos antes de arrancar el motor.
- Para reducir los riesgos de incendio, mantenga la máquina limpia de hierba, hojas u otros desechos acumulación. Limpie los derrames de aceite o combustible y eliminar los residuos empapado de combustible.
- Nunca guarde la máquina o el recipiente del combustible en el interior donde hay una luz de llama abierta, chispas o piloto de un calentador de agua, calentador, horno, secador de ropa u otros aparatos de gas.
- Deje que la máquina se enfríe por lo menos cinco minutos antes de guardarla.

Servicios Generales

- Nunca encienda el motor en interiores o en un área con poca ventilación. El escape del motor contiene monóxido de carbono, un inodoro, y el gas mortal.
- Antes de limpiar, reparar o inspeccionar, asegúrese de que la hoja (s) y todas las partes móviles se han detenido. Desconecte el cable de la bujía y conecte el motor para evitar un arranque accidental.

INSTRUCCIONES DE SEGURIDAD

- Revise periódicamente para asegurarse de que las cuchillas se detengan por completo a un plazo aproximado de cinco (5) segundos después de que realice el control de la retirada de la hoja. Si las cuchillas no se detienen en el marco de este tiempo, ave de su máquina servicio profesional por Sears u otro proveedor calificado.
- Compruebe regularmente el sistema de enclavamiento de seguridad para un funcionamiento correcto, como se describe más adelante en este manual. Si el sistema de enclavamiento de seguridad no funciona correctamente, que su máquina atendidos profesionalmente por Sears u otro proveedor calificado.
- Revise la hoja (s) y los pernos de montaje del motor a intervalos frecuentes para un ajuste adecuado. Además, una inspección visual de la hoja (s) de los daños (por ejemplo, desgaste excesivo, abolladuras, rajaduras). Vuelva a colocar la hoja (s) con la del fabricante de equipos originales (OEM) hoja (s) sólo aparecen en este manual. El uso de piezas que no cumplen con las especificaciones del equipo original puede conducir a la mala ejecución y la seguridad de compromiso!
- Las cuchillas de corte están afiladas. Envuelva la cuchilla o utilice guantes, y tenga mucho cuidado cuando efectúe mantenimiento.
- Mantenga todas las tuercas, pernos y tornillos apretados para asegurar que el equipo está en condiciones de trabajo seguras.
- Nunca altere el sistema de enclavamiento de seguridad u otros dispositivos de seguridad. Compruebe periódicamente que funcionen correctamente.
- Después de golpear un objeto extraño, parar el motor, desconecte el cable de la bujía (s) y conecte el motor. Inspeccione minuciosamente la máquina de cualquier daño. Reparar el daño antes de comenzar y operar.
- Nunca trate de hacer ajustes o reparaciones a la máquina mientras el motor está funcionando.
- Componentes de césped y la cubierta de descarga están sujetos a desgaste y daños que podría exponer a las partes móviles o permitir que se arrojen objetos. Para proteger su seguridad, verifique frecuentemente todos los componentes y de inmediato con (OEM) del fabricante del equipo original sólo aparecen en este manual. El uso de piezas que no cumplen con las especificaciones del equipo original puede conducir a la mala ejecución y comprometer la seguridad!
- No cambie la configuración del regulador del motor o el exceso de velocidad el motor. El regulador controla la velocidad máxima de funcionamiento seguro del motor.

- Mantener o reemplazar las etiquetas de seguridad e instrucciones, según sea necesario.
- Observar las leyes y los reglamentos adecuados de eliminación de gas, petróleo, etc, para proteger el medio ambiente.
- De acuerdo con la Consumer Products Safety Commission (CPSC) y los EE.UU. Agencia de Protección Ambiental (EPA), este producto tiene una vida útil media de siete (7) años, o 270 horas de funcionamiento. Al final de la vida útil media que la máquina inspeccionada anualmente por Sears u otro proveedor calificado para asegurar que todos los sistemas mecánicos y de seguridad funcionan correctamente y no usar en exceso. El no hacerlo puede dar lugar a accidentes, lesiones o la muerte.

NO MODIFIQUE EL MOTOR

Para evitar lesiones graves o la muerte, no modifique el motor de ninguna manera. La alteración de la configuración del regulador puede dar lugar a un motor fuera de control y hacer que funcione a velocidades peligrosas. Nunca cambie la configuración de fábrica del regulador del motor.

Aviso referido a emisiones

Motores que están certificados y cumplen con las regulaciones federales de la EPA y de emisión para SORE (Equipos pequeños todo terreno) están certificados para funcionar con gasolina regular sin plomo, y puede incluir los siguientes sistemas de emisión de control: La modificación del motor (EM) y catalizador de tres vías (TWC) si lo tiene.

GUARDACHISPAS

⚠ ADVERTENCIA

Esta máquina está equipada con un motor de combustión interna y no debe ser utilizada en o cerca de un terreno agreste cubierto por bosque, malezas o hierba excepto si el sistema de escape del motor está equipado con un amortiguador de chispas que cumpla con las leyes locales o estatales correspondientes, en caso de haberlas.

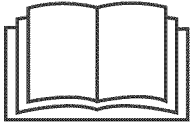
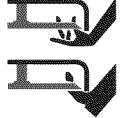





Si un supresor de chispas que se utilice, debe mantenerse en buenas condiciones de trabajo por parte del operador. En el Estado de California lo anterior se requiere por ley (Artículo 4442 del Código de Recursos Públicos de California). Otros estados pueden tener leyes similares. Las leyes federales se aplican en tierras federales.

Un supresor de chispas para el silenciador está disponible para su compra llamando a Sear Parts & Repair at 1-800-469-4663.

INSTRUCCIONES DE SEGURIDAD

SÍMBOLOS DE SEGURIDAD

Esta página representa y describe la seguridad los símbolos que pueden parecer en este producto. Lea, comprenda, y siga todas instrucciones en la máquina antes procurar para reunir y operar.

Symbol	Description
	LEA EL MANUAL(S) DEL OPERADOR leído, entienda, y siga todas las instrucciones en el manual(s) antes de procurar montar y funcionar
	PELIGRO— DÉ EL CORTE DE PIE Guarde manos y pies lejos de hacer girar partes.
	PELIGRO— ESCOMBROS LANZADOS Quite objetos que pueden ser lanzados por la lámina en cualquier dirección. Lleve gafas de seguridad..
	PELIGRO— ESCOMBROS LANZADOS Quite objetos que pueden ser lanzados por la lámina en cualquier dirección. Lleve gafas de seguridad..
	PERSONAS PRESENTES Guarde a las personas presentes, a los ayudantes y a niños por lo menos 75 pies lejos.
	PELIGRO— CUESTAS Use extra la precaución en cuestas. No siegue cuestas mayores que 15°.
	PELIGRO— GIRANDO HOJAS Para reducir el riesgo de herida, guarde manos y pies lejos. No funcione a menos que la tapa de descarga o el receptor de hierba estén en su lugar apropiado. De ser dañado, sustituya inmediatamente.

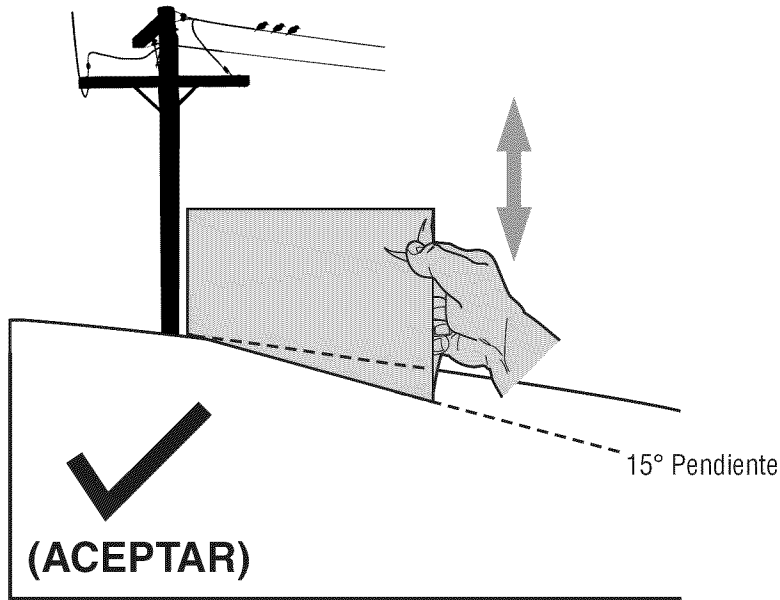


Figura 1

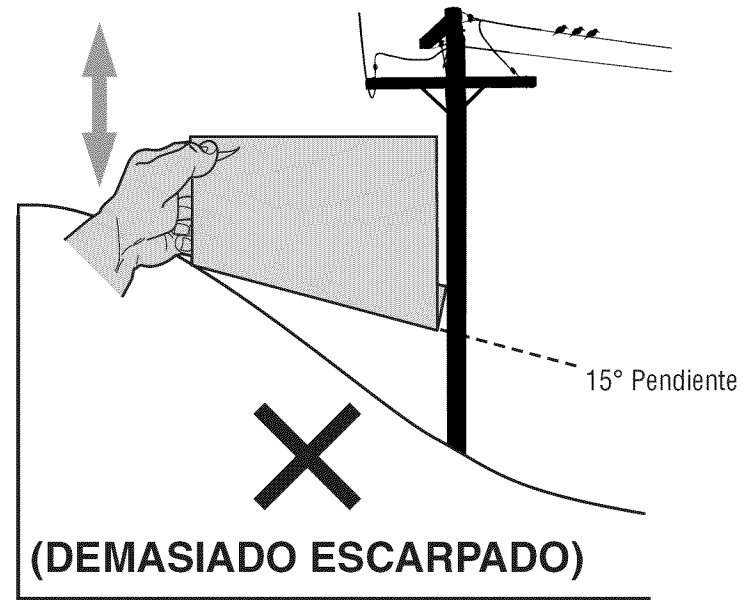


Figura 2

42

15° línea discontinua

USO DE ESTE PENDIENTE DE CALIBRE PARA DETERMINAR SI UNA PENDIENTE ES DEMASIADO ESCARPADO PARA UNA OPERACIÓN SEGURA!

Para comprobar la pendiente, haga lo siguiente:

1. Borrar esta página y doble a lo largo de la línea discontinua.
2. Localizar un objeto vertical sobre o detrás de la pendiente (un poste, un edificio, una valla, un árbol, etc.)
3. Alinee cada lado de pendiente de calibre con el objeto vertical (consultar Figura 1 and Figura 2).
4. Ajuste el pendiente de calibre arriba o hacia abajo hasta los toques esquina izquierda el pendiente (consultar Figura 1 and Figura 2).
5. Si hay un espacio por debajo de la pendiente de calibre, el pendiente es demasiado escarpa por operación segura (consultar Figura 2 above).

⚠ ADVERTENCIA

Las pendientes son un factor importante relacionado con un vuelco y renovación de los accidentes que pueden provocar lesiones graves o la muerte. No utilice la máquina en pendientes de más de 15 grados. Todos pendientes requiere mayor precaución. Si no puede retroceder en la pendiente o si se siente inseguro en ella, no la recorte. Siempre corte el césped en toda la superficie de la cuesta. Nunca arriba y abajo las pendientes.

FUNCIONAMIENTO

Configuración

NOTA: Retire el adaptador del pico del sistema de lavado de la plataforma y el tubo de drenaje de aceite de la bolsa manual, y guárdelos para uso futuro.

Desplazamiento manual del tractor cortacésped

Su transmisión del tractor cortacésped está equipado con una válvula de escape para ocasiones en que es necesario para mover el tractor cortacésped manual. "Rueda libre" La apertura de esta válvula permite el líquido en la transmisión de eludir su ruta normal, permitiendo que los neumáticos traseros a Para abrir la válvula de alivio hidrostática, proceda de la siguiente manera:

1. Localice la barra de transmisión de circunvalación en la parte trasera del tractor cortacésped. Véa la Figura 1.

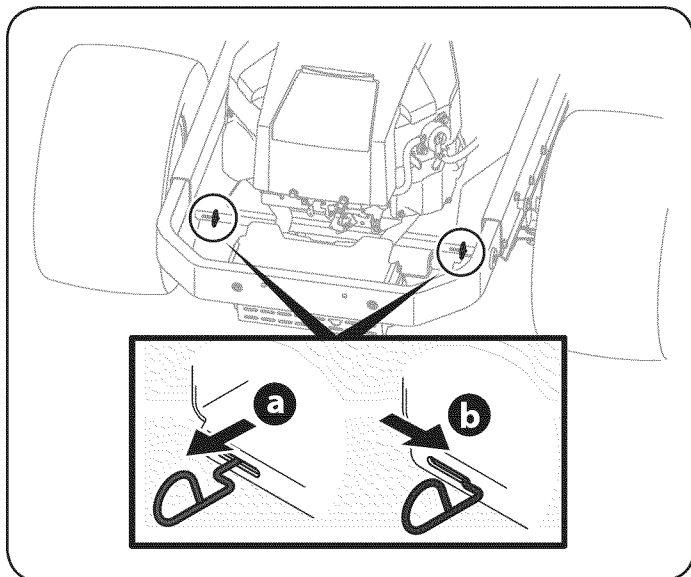


Figura 1

2. Enganche las varillas de derivación tirando cada uno (a) ya la derecha (b) para que encaje en su lugar. Véase la Figura 1.
3. Desenganche las varillas de derivación invirtiendo los pasos a & b después de mover el tractor. See Figura 1.

NOTA: La transmisión no se involucrará en la barra de transmisión de circunvalación se saca. Regresa la vara a su posición normal antes de hacer funcionar la cortadora de césped.

⚠ PRECAUCIÓN

Nunca intente mover el tractor cortacésped manualmente sin tener que abrir primero la válvula de alivio hidrostática. Si lo hace, puede causar daños graves a la transmisión de la cortadora de césped.

Instale el asiento del operador

Para instalar el asiento proceda de la siguiente manera:

NOTA: El asiento se suministra con el interruptor del asiento y del asiento adjunto.

1. Cortar todas las correas que sujetan el conjunto del asiento y las palancas de control de la cortadora de césped. Retire el material de embalaje.

NOTA: Tenga cuidado de no cortar el cableado que conecta el asiento y el interruptor del asiento.

2. Retire los dos tornillos de ajuste y tuercas de fijación de la base del asiento como se muestra en Figura 2.

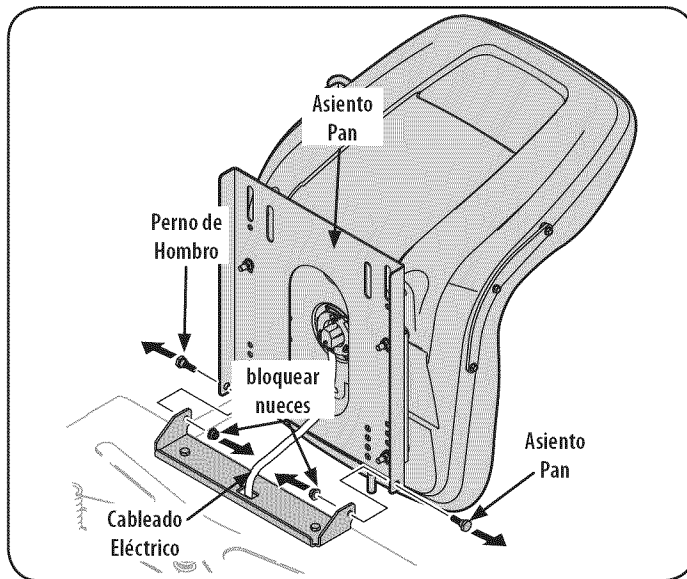


Figura 2

3. Girar el asiento en su posición y asegurar el asiento en su lugar con los tornillos que retiró antes de hombro y tuercas de seguridad. Tenga cuidado de no doblar o dañar el mazo de cables para la instalación del asiento. Véa Figura 3.

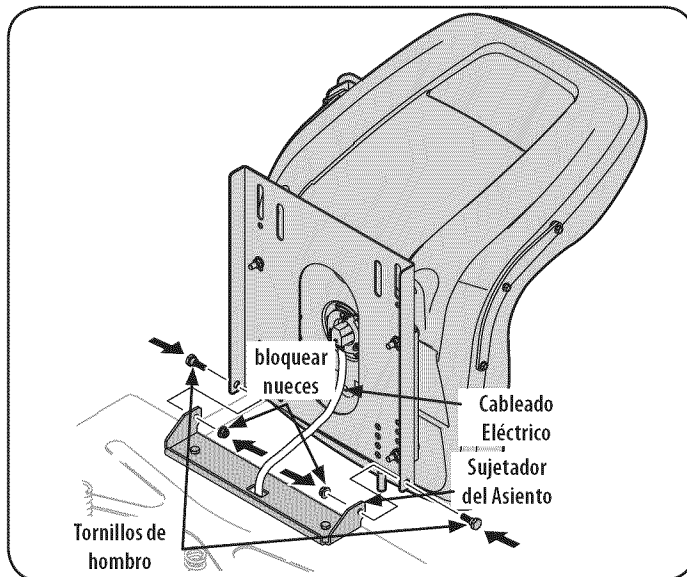


Figura 3

FUNCIONAMIENTO

Coloque las palancas de control de la transmisión en posición

Las palancas de control de la cortadora de césped se bajan para propósitos de envío. Las tuercas de fijación, tornillos hexagonales y arandelas planas que normalmente fijan las palancas de control en su posición operativa se aflojan y se instalan en los orificios ranurados de las palancas de control para el envío. Las palancas de control deben volver a colocarse para operar la cortadora de césped. Para cambiar la posición de las palancas de mando para la operación, proceda de la siguiente:

1. Quite los tornillos de cabeza hexagonal y arandelas planas del paquete de hardware en el bolso manual de.
2. Elevación y giro de que la palanca de control hacia arriba hasta que el orificio de la ranura en el soporte de la palanca se alinea con uno de los orificios del soporte de pivote. Véa Figura 4.

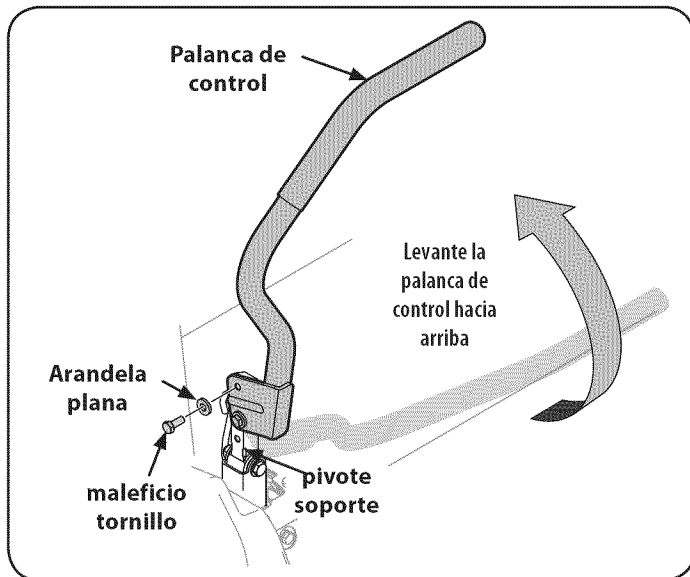


Figura 4

3. Deslice la arandela plana en el tornillo hexagonal. Desde el exterior, inserte el tornillo hexagonal con arandela a través de la ranura de la palanca de control y el agujero del soporte de pivote. Véase la Figura 4. Usando una llave de 1/2 ajustado el tornillo, pero no los apriete completamente.
4. Tenga en cuenta la posición relativa de la palanca de control para el soporte de pivote, a continuación, repetir los pasos anteriores para cambiar la posición de la otra palanca de control en aproximadamente la misma posición.

PRECAUCIÓN

Apriete los tornillos hacia abajo con fuerza para evitar que las palancas de control se salga de su posición.

5. Consulte "Ajuste de las palancas de control" en el mantenimiento y ajustes para obtener instrucciones sobre el ajuste final de las palancas.

Conexión de los cables de la batería

ADVERTENCIA

Los bornes de la batería y los accesorios afines contienen plomo y compuestos de plomo, sustancias químicas que según lo establecido por el Estado de California causan cáncer y daños en el sistema reproductivo. Lávese las manos después de estar en contacto con estos componentes.

PRECAUCIÓN

Cuando coloque los cables de la batería, conecte siempre primero el cable POSITIVO (rojo) a su borne, y a continuación el cable NEGATIVO (negro).

Por razones relacionadas con el embarque, los dos cables de la batería de su equipo pueden haber sido desconectados de los bornes en fábrica. Para conectar los cables de la batería, proceda de la siguiente manera:

NOTA: El borne positivo de la batería está marcado como Pos (+). El borne negativo de la batería está marcado como Neg (-).

NOTA: Si el cable positivo de la batería ya está conectado, siga con el paso 2.

1. Retire la cubierta plástica, si es que está presente, del borne positivo de la batería y una el cable rojo al borne positivo de la batería (+) utilizando el perno y la tuerca hexagonal. Vea la Figura 5.

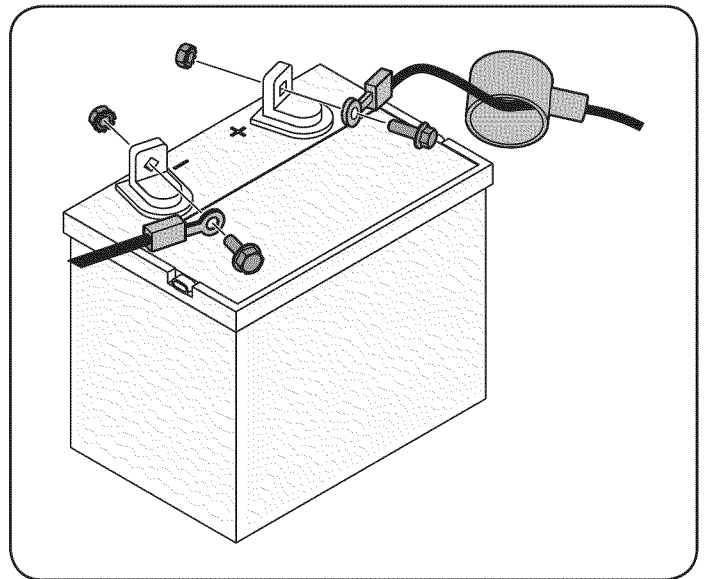


Figura 5

2. Retire la cubierta plástica, si es que está presente, del borne negativo de la batería y una el cable negro al borne negativo de la batería (-) utilizando el perno y la tuerca hexagonal. Vea la Figura 5.
3. Coloque el capuchón de goma rojo por encima del borne positivo de la batería para protegerlo contra la corrosión.

NOTA: Si la batería se pone en funcionamiento después de la fecha indicada en su parte superior o al costado de la misma, cárguela siguiendo las instrucciones de la sección Servicio y mantenimiento de su Manual del Operador antes de utilizar el tractor cortacésped.

FUNCIONAMIENTO

Baje el deflector del canal de descarga de la plataforma

ADVERTENCIA

Nunca opere la plataforma de corte sin el deflector del canal de descarga instalado y en posición baja.

Se debe instalar el deflector del canal de descarga antes de operar la cortadora de césped.

1. Retire las chavetas que están sujetas con una unión con cierre al soporte del canal.
2. Retire las tuercas de seguridad con brida de la plataforma. No extraiga las tuercas a presión ni los pernos del carro, dejarlos en su lugar facilitará la instalación en el canal. Vea la Figura 6.

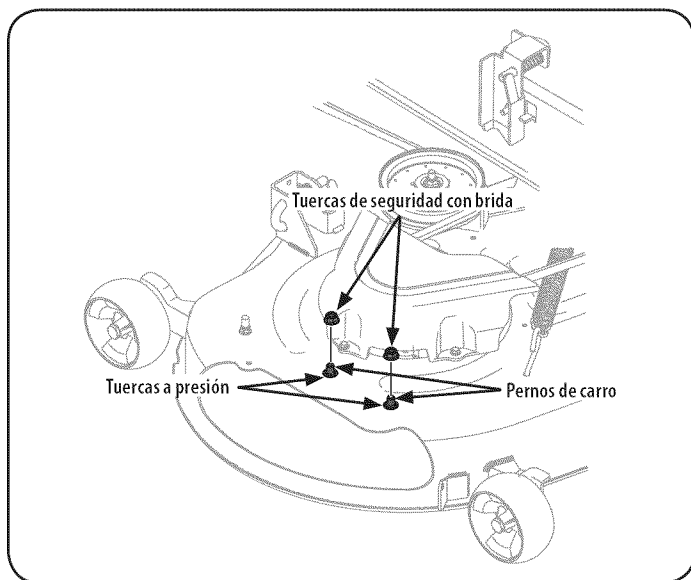


Figura 6

3. Instale el deflector del canal de descarga usando los pernos del carro, las tuercas a presión y las tuercas de seguridad con brida, como se indica en la Figura 7 y sujete bien los elementos de ferretería.

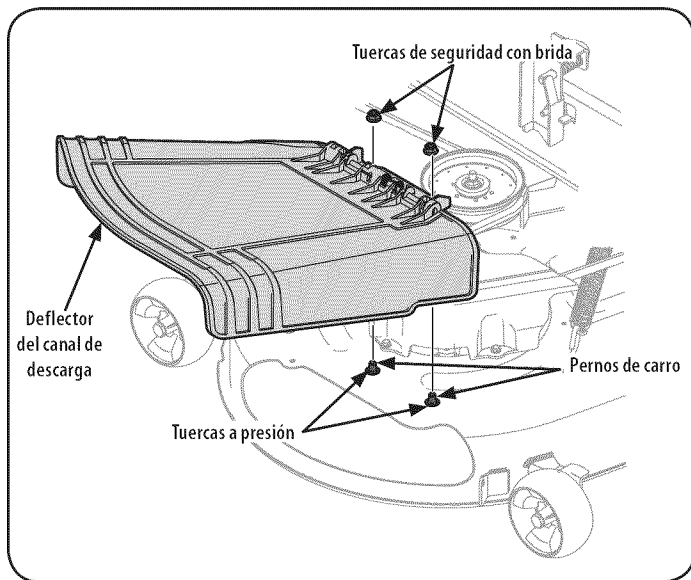


Figura 7

Control de la presión de los neumáticos

ADVERTENCIA

No infle los neumáticos en exceso. Consulte en los laterales de los neumáticos la presión máxima en psi. Se debe mantener una presión uniforme para todos los neumáticos en todo momento.

Es posible que los neumáticos del tractor cortacésped se hayan inflado en exceso para el envío del producto. Reduzca la presión de los neumáticos antes de operar el tractor. Consulte en los laterales de los neumáticos la presión máxima en psi.

Ajuste de las ruedas de calibración

ADVERTENCIA

Mantenga las manos y pies alejados de la abertura de descarga de la plataforma de corte.

NOTA: Las ruedas calibradoras de la plataforma constituyen un mecanismo para el cuidado del césped y no fueron diseñadas para soportar el peso de la plataforma de corte.

La altura de corte de la plataforma de corte se puede fijar en cualquiera de seis valores de altura usando la manija de elevación de la plataforma del tractor. Las alturas de la plataforma oscilan entre 1-1/2" hasta 4". La posición de las ruedas de calibración de la plataforma debe ser aproximadamente entre 1/4" a 1/2" por encima del nivel del suelo cuando la plataforma se fija en el valor de altura deseado.

Usando la manija de elevación, fije la plataforma en el valor de altura deseado, luego controle la distancia entre la rueda de calibración y el piso. Si es necesario, ajústela de la siguiente forma:

1. Controle visualmente la distancia entre la rueda de calibración delantera y el suelo. Si la rueda de calibración está cerca del suelo o lo toca, es necesario levantarla. Si la rueda de calibración se encuentra a más de 1/2" del suelo, es necesario bajarla.
2. Retire la tuerca de seguridad con brida que fija el perno con reborde de la rueda de calibración delantera a la plataforma. Retire la rueda de calibración y el perno con reborde. Consulte la Figura 8.

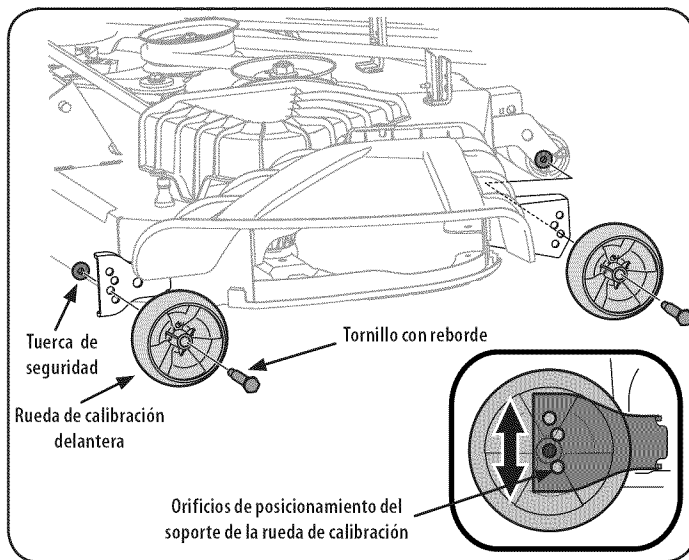


Figura 8

FUNCIONAMIENTO

3. Inserte el perno con reborde en uno de los cuatro orificios de posicionamiento del soporte de rueda de calibración delantera que dé a la rueda de calibración, una separación de $\frac{1}{4}$ " a $\frac{1}{2}$ " del suelo y sujete con la tuerca de seguridad con brida.
4. Observe el orificio de posicionamiento de la rueda que acaba de ajustar y ajuste la rueda de calibración trasera en el orificio de posicionamiento respectivo del otro soporte de rueda de calibración de la plataforma.

Ajuste del asiento

Para ajustar la posición del asiento, girar el asiento hacia adelante y busque el botón de la abrazadera en la parte frontal izquierda de la base del asiento. Consulte la Figura 9.

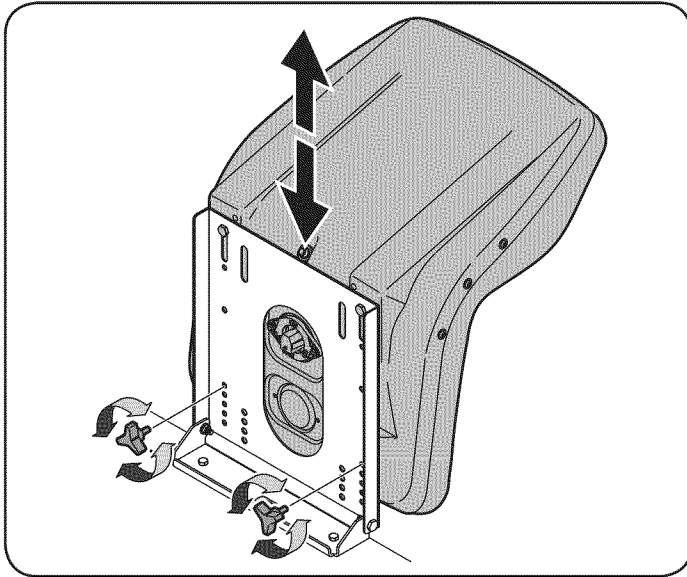


Figura 9

Gire las perillas de fijación hacia la izquierda y elimínalos, deslice el asiento hacia adelante o hacia atrás y volver a colocar las perillas de fijación en una de las cuatro posiciones disponibles en el asiento y en el asiento, luego apriete bien. Asegúrese de que el asiento está bloqueado en su posición antes de operar el tractor. Ver Figura 9.

Gasolina y aceite

Recomendaciones sobre el combustible

Utilice gasolina para automóviles (sin plomo o bajo contenido de plomo para minimizar los depósitos en la cámara de combustión) con un mínimo de 87 octanos. Se puede usar gasolina con hasta un 10% de etanol o un 15% de MTBE (éter metílico terciario-butílico). Nunca use una mezcla de aceite y gasolina ni gasolina sucia. Evite que se introduzca suciedad, polvo o agua en el depósito de combustible. NO utilice gasolina E85.

- Cargue combustible en un área bien ventilada y con el motor apagado. No fume ni permita llamas o chispas en el lugar donde se carga combustible o se almacena la gasolina.
- No llene en exceso el depósito de combustible. Después de cargar combustible, asegúrese de que el tapón del depósito esté bien cerrado y asegurado.
- Tenga cuidado de no derramar combustible al realizar la recarga. El combustible derramado o sus vapores se pueden incendiar. Si se derrama combustible, asegúrese de que el área esté seca antes de arrancar el motor.
- Evite el contacto repetido o prolongado con la piel y la inhalación de los vapores. Adding Fuel

Carga de combustible

ADVERTENCIA

Tenga mucho cuidado al trabajar con gasolina. La gasolina es sumamente inflamable y sus vapores pueden causar explosiones. Nunca agregue combustible al tractor cortacésped en interiores ni mientras el motor está caliente o en funcionamiento. Apague cigarrillos, cigarros, pipas y otras fuentes de combustión.

1. Compruebe que el motor esté al aire libre en una zona bien ventilada.
2. Limpie el área que está alrededor del tapón de llenado de combustible y quite dicho tapón.
3. Use un recipiente rojo para GASOLINA aprobado y agregue el combustible lentamente, tomando la precaución de evitar derrames.
4. Llene el depósito hasta que el combustible llegue a la base del cuello de llenado del depósito de combustible.
5. Vuelva a colocar la tapa del combustible y ajústela bien. Antes de poner en marcha el motor, debe limpiar el combustible que se haya derramado. Si se derrama combustible NO ponga en marcha el motor. Mueva el tractor cortacésped para alejarlo de la zona del derrame. Evite generar una fuente de encendido hasta que los vapores del combustible hayan desaparecido.

Revisión y adición de aceite

Su podadora se envía con aceite en el motor. Sin embargo, usted DEBE controlar el nivel de aceite antes de operar. Comprobar y añadir el aceite como se indica en el manual del operador del motor.

FUNCIONAMIENTO

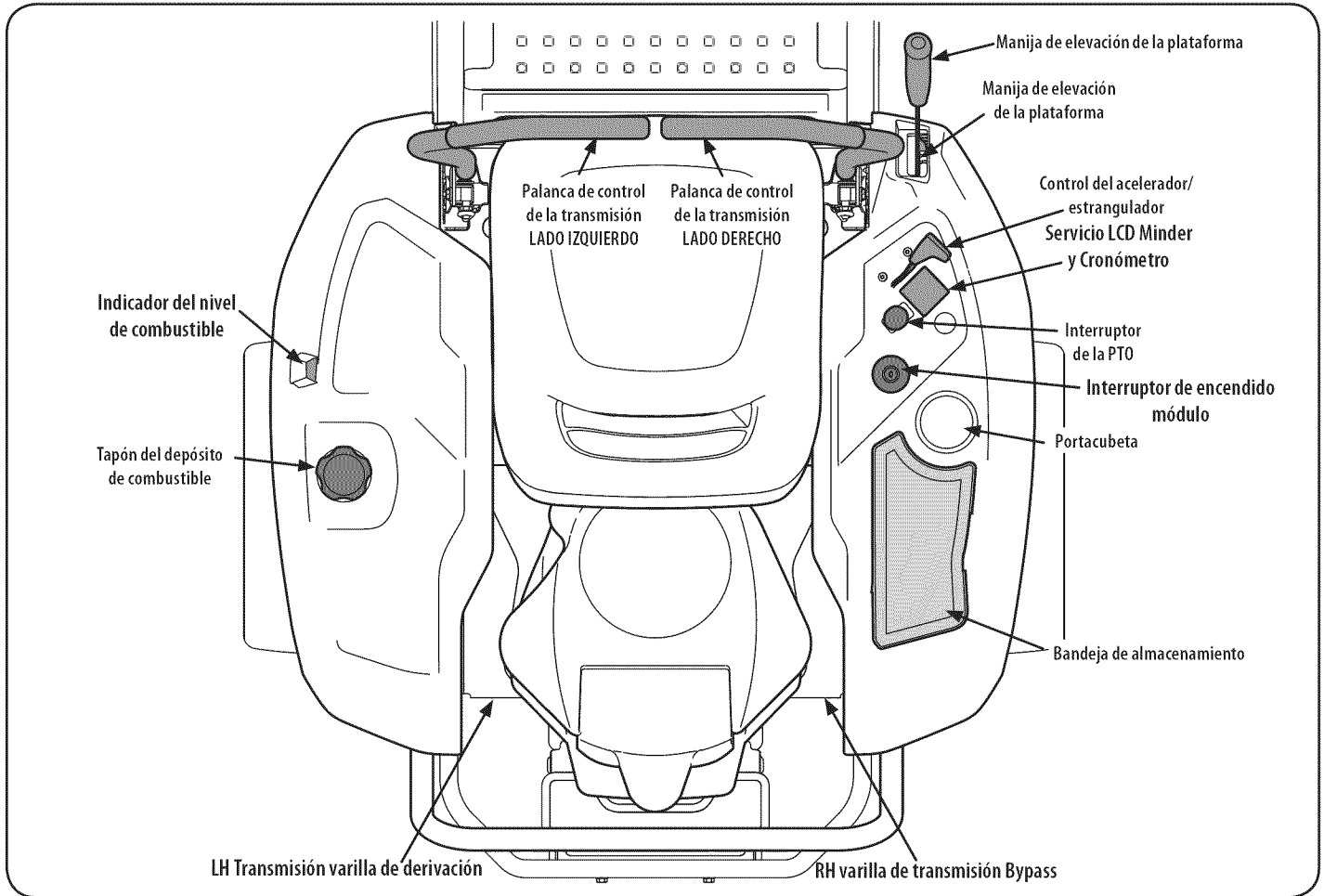


Figura 10

Ahora que ya ha ajustado su tractor cortacésped para el funcionamiento, es importante familiarizarse con sus controles y características. Consulte la Figura 10.

NOTA: Las referencias a IZQUIERDA, DERECHA, ADELANTE Y ATRÁS indican esa posición desde el asiento del operador en el tractor, mirando hacia adelante.

Portacubeta

El portacubeta está ubicado hacia la parte de atrás de la consola del lado derecho, a la derecha del asiento del operador.

Bandeja de almacenamiento

La bandeja de almacenamiento está ubicada en la parte posterior de la consola del lado derecho.

Posicionamiento de la altura de la plataforma

El mango de elevación de la plataforma se encuentra en la parte frontal / derecha de la consola, y se utiliza para subir y bajar la plataforma de corte. Tire de la palanca a la izquierda de la muesca índice y empuje hacia abajo para bajar la plataforma, o tirar hacia arriba para levantar la plataforma. Cuando se alcanza la altura deseada, mueva la manija de elevación hacia la derecha hasta que esté completamente en la ranura de índice.

Manija de elevación de la plataforma

El mango de elevación de la plataforma se encuentra en la parte frontal / derecha del marco del asiento, y se utiliza para subir y bajar la plataforma de corte. Tire de la palanca a la izquierda de la muesca índice y empuje hacia abajo para bajar la plataforma, o tirar hacia arriba para levantar la plataforma. Cuando se alcanza la altura deseada, mueva la manija de elevación hacia la derecha hasta que esté completamente en la ranura de índice.

Palancas de control de transmisión LADO DERECHO y LADO IZQUIERDO

El RH y las palancas de control de LH se encuentran a cada lado del asiento del operador. Estas palancas abisagradas giran hacia afuera para abrir el espacio para permitir que el operador sentarse en el asiento del tractor, o desmontar el tractor. Las palancas deben estar totalmente abiertas hacia fuera y en la posición neutral para arrancar el motor del tractor. Cuando las palancas están totalmente hacia afuera, el freno de estacionamiento también se dedica.

Cada palanca controla la respectiva humedad relativa o la transmisión de LH. Por consiguiente, estas palancas controlan todos los movimientos del tractor. Conducción y maniobras con estas palancas de control es muy diferente de los tractores convencionales, y tomará un poco de práctica para dominar. Consulte Operación para obtener instrucciones sobre el uso de las palancas de control.



FUNCIONAMIENTO


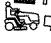
Interruptor de la toma de fuerza (PTO)


El interruptor de la PTO está ubicado en la consola del lado derecho, a la derecha del asiento del operador. El interruptor de la toma de fuerza (PTO) hace funcionar el embrague eléctrico de toma de fuerza (PTO) montado en la base del cigüeñal del motor. Tire de la perilla del interruptor hacia arriba para enganchar el embrague de la toma de fuerza (PTO), o empuje la perilla hacia abajo para desactivar el embrague. Al arrancar el motor, el interruptor de la toma de fuerza (PTO) debe estar en posición "desactivada".

Módulo Interruptor de encendido



¡ADVERTENCIA! Nunca deje la máquina en funcionamiento sin vigilancia. Siempre desconecte la toma de fuerza, el freno de mano, apague el motor y la llave para evitar el encendido accidental de quitar.

Para arrancar el motor, inserte la llave en el interruptor de encendido y gire en sentido horario a la posición START . Suelte la llave en la posición MODO NORMAL DE CORTE  una vez que haya arrancado el motor.

Para detener el motor, gire la llave de encendido en sentido contrario a la posición STOP .

Precaución: Antes de operar el tractor, remítase a ambos interruptores de bloqueo de seguridad y Puesta en Marcha del Motor en la sección Funcionamiento de este manual para obtener instrucciones detalladas del Módulo del Interruptor de encendido y funcionamiento del tractor en MODO DE PRECAUCIÓN EN MARCHA

ATRÁS 

Varillas de derivación de transmisión

Las varillas de derivación de la transmisión (una para cada transmisión, lado derecho y lado izquierdo) están ubicadas debajo de la plataforma del bastidor, justo dentro de cada rueda trasera.

Cuando están enganchadas, las dos varillas abren una derivación dentro de las transmisiones hidrostáticas, lo cual permite empujar el tractor cortacésped a mano a lo largo de distancias cortas. Consulte en la sección Montaje las instrucciones para el uso de la función de derivación.

PRECAUCIÓN

No remolque nunca el tractor cortacésped. Si se remolca el tractor con las ruedas traseras apoyadas en el suelo se pueden causar daños graves a las transmisiones.

Tapón del depósito de combustible

El tapón del depósito de combustible está situado cerca del centro de la consola del lado izquierdo. Gire el tapón de llenado de quitar. La tapa del combustible está atada al tractor para evitar su pérdida. No trate de quitar la tapa del tractor. Llene el tanque hasta la parte inferior del cuello de llenado, lo que permite un poco de espacio en el tanque para la expansión del combustible. No llene demasiado el tanque.

Empuje la tapa hacia abajo en el tanque de combustible del cuello de llenado y gire hacia la derecha hasta que haga clic para apretar. Siempre vuelva a colocar la tapa del combustible firmemente en el tanque de combustible después de la eliminación.

ADVERTENCIA

Nunca realice la recarga de combustible en el depósito si el motor está en funcionamiento. Si el motor está caliente por haber funcionado hasta hace poco, déjelo enfriar varios minutos antes de cargar combustible. Si gasolina altamente inflamable salpica el motor caliente, podría causar un incendio.

Servicio LCD Minder y cronómetro

Cuando la llave de encendido se rota fuera de la posición de parada, pero no a la posición START, el Minder Servicio LCD y del cronómetro se display brevemente el voltaje de la batería, seguido de horas acumuladas del tractor.

NOTA: Las horas de funcionamiento del tractor se registran cada vez que la llave de encendido se rota fuera de la posición STOP, independientemente de si se arranca el motor.

El Minder Servicio LCD le recuerda al operador los intervalos de mantenimiento para el cambio de aceite del motor, el servicio del filtro de aire, baja motor y advertencias de batería baja. Change

Oil

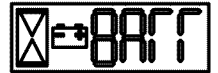
La pantalla mostrará las letras "CHG", seguido de las letras "OIL", seguido de las letras "pronto", y finalmente seguido por el tiempo acumulado del metro. "CHG / OIL / PRONTO / TIME" se alternará en la pantalla durante 7 minutos después de que el metro llegue a 50 horas. Este servicio cuidadora intervall petróleo ocurrirá cada 50 horas. Antes de que finalice el intervalo, cambie el aceite del motor como se indica en la sección Mantenimiento de este manual de instrucciones.

Low Oil

Las letras "LO", seguido de las letras "OIL", a continuación, seguido por el tiempo acumulado del medidor indicará el tractor está bajo de aceite. Detenga el tractor inmediatamente y compruebe el nivel de aceite como se indica en este manual de instrucciones.

Batería Baja

En el arranque, el voltaje de la batería se visualiza brevemente a continuación, los cambios en las horas acumuladas. Las letras "LO" se mostrará seguido de las letras "BATT" y luego followed by tiempo acumuladas del metro. "LO / BATT / TIME" se visualiza en la pantalla LCD cuando la tensión cae por debajo de 11,5 voltios. Cuando esto ocurre, la batería está en la necesidad de una carga o sistema de carga del motor no está generando amperaje suficiente. Cargue la batería como se indica en la sección Servicio de este manual o haga que el sistema de carga sea verificado por su distribuidor de servicio local.




Filtrar Servicio Aéreo

Las letras "CLN" mostrará, seguido de las letras "AIRE", seguido de "FILT", a continuación, seguido por el tiempo acumulado del metro. "CLN / AIR / FILT / TIME" se alternarán en la pantalla durante 7 minutos después de que el metro reachges 25 horas. Este servicio intervalo de tiempo cuidador del filtro de aire será de 25 horas. Por caso, los intervalos que son comunes con el servicio de aceite, se displayed el mensaje de petróleo seguido por primera vez por el mensaje del filtro de aire. S El Manual del operador del motor para la limpieza del filtro y reemplazos instrucciones.



Control del acelerador/estrangulador

El control del acelerador/estrangulador está ubicado en la consola del lado izquierdo, a la izquierda del asiento del operador. Cuando se lo coloca en cierta posición, se mantiene una velocidad de motor uniforme.

Empuje la manija de control del acelerador/estrangulador hacia adelante para aumentar la velocidad del motor. El tractor cortacésped se ha diseñado para operar con el control del acelerador/estrangulador en la posición FAST  (velocidad rápida) cuando se conduce el tractor y la plataforma de corte está enganchada.

Tire de la manija de control del acelerador/estrangulador hacia atrás para reducir la velocidad del motor.


Cuando arranque el motor, empuje la manija de control totalmente hacia adelante a la posición CHOKE (estrangulador) .

Después de arrancar y calentar el motor, mueva la manija de control hacia atrás hasta que sienta que pasa el bloqueador del estrangulador.



FUNCIONAMIENTO

Seguridad general

- RECIBA LAS INSTRUCCIONES - Lea este manual del operador en su totalidad. Aprenda a usar esta máquina DE MANERA SEGURA. No se arriesgue a quedar expuesto a LESIONES o a la MUERTE. Solamente se debe permitir operar este tractor cortacésped a quienes se hayan familiarizado a fondo con el uso del mismo.
- Antes de arrancar el motor o de empezar a operar, familiarícese con los controles. El operador debe estar en el asiento del operador. El interruptor de la toma de fuerza (PTO) debe estar en posición desenganchada, el freno de mano activado y las palancas de control de transmisión del lado derecho y del lado izquierdo totalmente hacia afuera, en posición neutra.
- Mantenga todos los protectores en su lugar. Guarde distancia de las partes móviles.
- ¡NO SE PERMITE TRASLADAR PERSONAS EN EL TRACTOR! Mantenga a todas las personas y las mascotas a una distancia segura de la máquina. Siempre mire hacia atrás y hacia abajo a ambos lados del tractor cortacésped antes de desplazarse marcha atrás y mientras retroceda.
- NO oriente la descarga de la cortadora hacia la gente.
- En lo posible evite las pendientes. Nunca opere en pendientes mayores de 15°. Las pendientes con mayor inclinación presentan condiciones de operación peligrosas. Los tractores cortacésped pueden volcar.
- Antes de dejar el asiento del operador: Desconecte la toma de fuerza (PTO), mueva las palancas de control de la transmisión del lado derecho y del lado izquierdo totalmente hacia afuera en posición neutra, active el freno de mano , apague el motor y quite la llave de encendido. Antes de realizar el mantenimiento o la limpieza de la máquina, espere hasta que cese totalmente el movimiento.
- Opere las palancas de control de transmisión de forma pareja y evite realizar movimientos bruscos con las mismas al arrancar y detenerse. Sujete bien las palancas de control.
- Sea cuidadoso al operar cerca de rutas. Detenga el movimiento del tractor cortacésped y espere a que pasen los vehículos antes de operar a lo largo de la ruta.
- No haga funcionar el tractor cortacésped sin la plataforma de corte. Si se quita la plataforma varía el equilibrio del tractor cortacésped y éste podría volcar.
- Evite operar en superficies de tracción inestables; tenga extrema precaución si la superficie es resbaladiza.
- Reduzca la velocidad antes de girar y deténgase completamente antes de cualquier maniobra de giro cero.
- No detenga ni estacione el tractor cortacésped sobre materiales combustibles tales como pasto u hojas secas, desechos, etc.
- No llene el tanque de combustible con el motor en funcionamiento o si el mismo está caliente. Deje enfriar el motor varios minutos antes de la recarga de combustible. Apriete el tapón de combustible con firmeza.

Antes de operar su tractor cortacésped

- Antes de hacer funcionar el tractor cortacésped, lea este manual con atención para familiarizarse con el funcionamiento de todos los instrumentos y controles. El manual se preparó con la finalidad de ayudarlo a hacer funcionar y mantener el tractor cortacésped eficientemente.
- Se certifica que este motor funciona únicamente con gasolina sin plomo, nueva y limpia. Para obtener el mejor resultado, llene el depósito de combustible únicamente con gasolina sin plomo limpia y fresca, en un surtidor que indique un octanaje igual a 87 o más.
- Se recomienda el uso de gasolina sin plomo porque deja menos depósitos en la cámara de combustión y reduce las emisiones de escape perjudiciales. No se recomienda el uso de gasolina con plomo; no se la debe usar en los lugares en los cuales las emisiones de escape se encuentran reguladas.
NOTA: Compre gasolina en pequeñas cantidades. No use gasolina que haya quedado de la temporada anterior, para minimizar la formación de depósitos de goma en el sistema de combustible.
- El gasohol (hasta 10% de alcohol etílico, 90% de gasolina sin plomo por volumen) es un combustible aprobado. No se aprueba el uso de otras mezclas de gasolina/alcohol.
- El éter metílico terciario-butílico (MTBE) y las mezclas de gasolina sin plomo (hasta un máximo de 15% de MTBE por volumen) son combustibles aprobados. No se aprueba el uso de otras mezclas de gasolina/éter.
- Revise el nivel de aceite del motor.
- Limpie el filtro de aire si es necesario.
- Controle la presión de inflado de los neumáticos.
- Ajuste el asiento para la mayor comodidad del operador, para una adecuada visibilidad y para mantener el control completo del tractor cortacésped.

Sistema de bloqueo de seguridad

Este tractor cortacésped está equipado con un sistema de bloqueo de seguridad para protección del operador. Si el sistema de bloqueo funciona mal, no se debe hacer funcionar el tractor cortacésped. Llame al 1-888-331-4569 para programar el servicio del servicio de piezas y reparaciones de Sears.

- El sistema de bloqueo de seguridad evita que el motor intente arrancar o arranque a menos que se muevan las palancas de control de transmisión del lado derecho y del lado izquierdo totalmente hacia afuera hacia ambos lados en posición neutra, el freno de mano activado y se desenganche la toma de fuerza (PTO).
- Para evitar un movimiento brusco al desactivar el freno de mano, el sistema de bloqueo de seguridad apaga el motor si las palancas de control de transmisión del lado derecho y/o del lado izquierdo se mueven a una posición distinta de la totalmente afuera en neutro cuando el freno de mano está activado.
- Si el operador abandona su asiento antes de colocar el freno de mano, el sistema de bloqueo de seguridad apaga el motor.
- Si el operador abandona su asiento con la PTO conectada, el sistema de bloqueo de seguridad apaga el motor, independientemente de que el freno de mano esté puesto o no.
NOTA: El interruptor de la toma de fuerza (PTO) se debe mover a la posición "OFF" (apagado) para volver a arrancar el motor.
- El sistema de bloqueo de seguridad apaga la toma de fuerza (PTO) y las cuchillas de la cortadora se detienen si las dos palancas de control de transmisión se mueven a la posición de marcha atrás. La toma de fuerza (PTO) se vuelve a enganchar cuando una o las dos palancas se mueven nuevamente a la posición neutra o de marcha adelante.

FUNCIONAMIENTO

Encendido del motor

⚠ ADVERTENCIA

Este tractor cortacésped está equipado con un sistema de bloqueo de seguridad que está diseñado para la protección del operador. No opere el tractor cortacésped si alguna parte del sistema de bloqueo funciona mal. Controle periódicamente las funciones del sistema de bloqueo para verificar que funcionen adecuadamente.

⚠ ADVERTENCIA

Por razones de seguridad personal, el operador debe estar sentado en el asiento del tractor cortacésped al arrancar el motor.

1. El operador debe estar sentado en el asiento del tractor con las palancas de control totalmente hacia afuera en posición neutral (freno de mano).
2. Asegúrese de que el interruptor PTO esté en la posición desenganchada (abajo). Consulte la Figura 11.

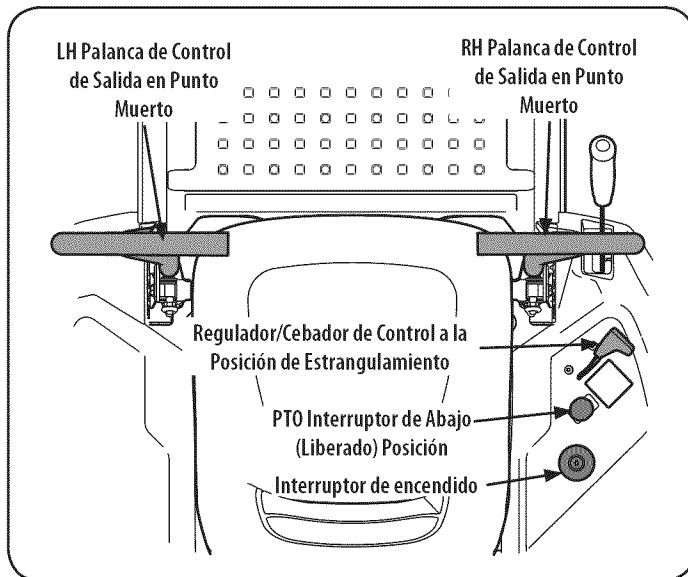


Figura 11

3. Mueva la palanca de control del acelerador/estrangulador completamente hacia adelante a la posición CHOKE (estrangulador) . **NOTA:** Si el motor está caliente, tal vez no sea necesario colocar el control del acelerador/estrangulador en la posición CHOKE (estrangulador) .
4. Gire la llave de encendido en el sentido de las agujas del reloj a la posición START (arranque) y suéltela en cuanto arranque el motor; sin embargo, no dé arranque continuamente durante más de 5 segundos por vez. Si el motor no arranca en este período, gire la llave a la posición STOP (apagado) y espere por lo menos 15 segundos para dejar que se enfríe el motor de arranque del motor. Inténtelo de nuevo después de esperar. Si después de unos cuantos intentos el motor no arranca, no siga intentando arrancarlo con el estrangulador cerrado ya que de esa manera se ahogará el motor y el arranque será más difícil aún.
5. A medida que se calienta el motor, gradualmente tire de la palanca de control del acelerador/estrangulador hacia atrás hasta pasar la posición de bloqueo del estrangulador. No use la posición del estrangulador para enriquecer la mezcla de combustible, a menos que sea necesario para arrancar el motor.
6. Deje que el motor funcione unos cuantos minutos a una aceleración intermedia antes de someterlo a la carga.

Arranque del motor en clima frío

Al arrancar el motor a temperaturas cercanas o inferiores al punto de congelamiento, asegúrese de que se use aceite de motor de viscosidad correcta y que la batería tenga carga completa. Arranque el motor de la siguiente forma:

1. Asegúrese de que la batería se encuentre en buen estado. Además, una batería caliente tiene una capacidad de arranque mucho mayor que una batería fría.
2. Use combustible fresco para uso invernal. La gasolina para uso invernal tiene mayor volatilidad a los efectos de mejorar el arranque. No use gasolina que le haya quedado del verano.
3. Siga las instrucciones previas para ARRANCAR EL MOTOR.

Uso de cables de puente para arrancar el motor

⚠ ADVERTENCIA

Las baterías contienen ácido sulfúrico y producen gases explosivos. Asegúrese de que el área esté bien ventilada, use guantes y protectores de ojos y evite chispas o llamas cerca de la batería.

Si la carga de la batería no es suficiente para dar arranque al motor, vuelva a cargar la batería. Si no dispone de un cargador de batería y debe arrancar el tractor cortacésped, puede ser necesario usar una batería de urgencia. Conecte la batería de urgencia de la siguiente forma:

1. Conecte el extremo de un cable al borne positivo de la batería del tractor cortacésped que no funciona; luego conecte el otro extremo de ese cable al borne positivo de la batería de urgencia.
2. Conecte un extremo del otro cable al borne negativo de la batería de urgencia; luego conecte el otro extremo de ese cable al marco del tractor cortacésped que no funciona, a la mayor distancia posible de la batería.
3. Arranque el tractor cortacésped que no funciona según las instrucciones de arranque normales indicadas más arriba; luego desconecte los cables de puente en orden exactamente inverso al de la conexión.
4. Haga controlar y reparar el sistema eléctrico del tractor cortacésped lo más pronto que fuere posible, para eliminar la necesidad de usar cables de puente para arrancarlo.

Detención del motor

1. Coloque el interruptor de la toma de fuerza (PTO) en la posición OFF (apagado).
2. Coloque las palancas de control de transmisión del lado derecho y del lado izquierdo totalmente hacia afuera, en posición neutra.
3. Ponga el freno de mano .
4. Mueva el control del acelerador/estrangulador a una distancia intermedia entre las posiciones SLOW (velocidad lenta) y FAST (velocidad rápida).
5. Gire la llave de encendido a la posición STOP (parada) y quite la llave del interruptor de encendido.

NOTA: Siempre quite la llave del interruptor de encendido para evitar el arranque accidental o la descarga de la batería si el equipo queda sin supervisión.

FUNCIONAMIENTO

Practique el modo de operación con el tractor (uso inicial)

Operar un tractor cortacésped con radio de giro cero no es lo mismo que operar un tractor cortacésped convencional. Debido a que un tractor cortacésped con radio de giro cero es más maniobrable, es necesario practicar la operación de las palancas de control para acostumbrarse a las mismas.

Se recomienda enfáticamente que encuentre un "área de práctica" de superficie razonable, nivelada y abierta, en la cual no haya obstrucciones, peatones ni mascotas. Debe practicar la operación del tractor cortacésped durante 30 minutos por lo menos.

Lleve (o haga que un usuario experimentado lleve) el tractor cortacésped al área de práctica con cuidado. Cuando esté practicando, la toma de fuerza (PTO) no debe estar enganchada. Mientras practica, haga funcionar el tractor cortacésped a aproximadamente $\frac{1}{2}$ - $\frac{3}{4}$ de aceleración y a menos de la velocidad máxima tanto en marcha adelante como en marcha atrás.

Ejercite cuidadosamente las maniobras con el tractor cortacésped y proceda a conducir como se indica en la sección siguiente "Conducción del tractor cortacésped".

Conducción del tractor cortacésped

⚠ ADVERTENCIA

Evite arrancar súbitamente, desarrollar excesiva velocidad y detenerse de repente.

1. Ajuste el asiento del operador a la posición más cómoda que le permita operar los controles. Consulte "Ajuste del asiento" en la sección de ensamblado.
2. Coloque las palancas de control de transmisión del lado derecho y del lado izquierdo hacia adentro, en posición neutra. Consulte la Figura 12.

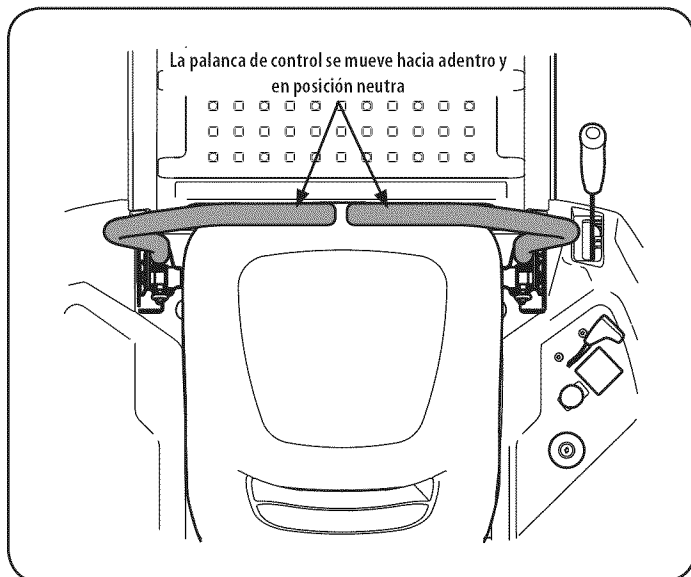


Figura 12

NOTA: Si las palancas de control no están niveladas en posición neutra, consulte la Sección Servicio y mantenimiento para ver las instrucciones para ajustar las palancas de manera que queden niveladas.

3. Mueva la palanca de control del acelerador/estrangulador hacia adelante a la posición FAST (velocidad rápida) (de aceleración máxima).

NOTA: Si bien el motor del tractor cortacésped se ha diseñado para funcionar a máxima aceleración, cuando practica el tractor debe funcionar a menos del máximo. Esto se aplica únicamente al funcionamiento del motor durante la práctica.

⚠ ADVERTENCIA

Siempre sujete las palancas de control con firmeza. NO suelte las palancas de control para desplazarse más despacio o para detener el tractor cortacésped; lleve las palancas a la posición neutra con las manos.

4. Para conducir el tractor cortacésped, tome firmemente las palancas de control de la transmisión respectivas con las manos derecha e izquierda y proceda con Conducción del tractor cortacésped marcha adelante, según las instrucciones de la página siguiente.

Conducción del tractor cortacésped marcha adelante

⚠ ADVERTENCIA

Todos los movimientos de las palancas de control deben ser lentos y suaves. El movimiento abrupto de las palancas de control puede afectar la estabilidad del tractor cortacésped y podría hacer que el tractor vuelque, con el resultado de lesiones graves o incluso la muerte del operador.

1. Coloque las palancas de control de transmisión del lado derecho y del lado izquierdo hacia adentro, en posición neutra. Consulte la Figura 13.

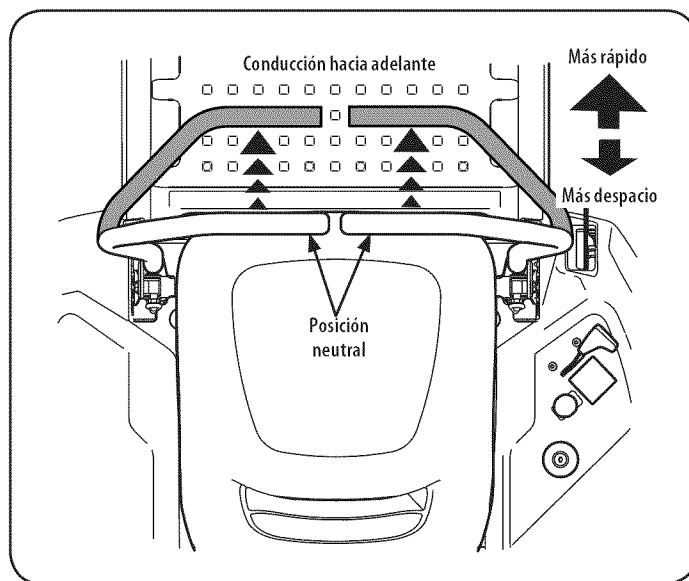


Figura 13

2. A medida que las palancas de control se empujan más hacia adelante, aumenta la velocidad del tractor cortacésped.
3. Para que el tractor cortacésped se desplace más lentamente, mueva la palanca de control hacia atrás hasta alcanzar la velocidad deseada, o coloque las palancas en la posición neutra para detener el tractor cortacésped.

⚠ ADVERTENCIA

Siempre tome y sujete las palancas de control con firmeza. No suelte las palancas para que el tractor cortacésped se desplace con mayor lentitud ni para volver a posición neutra.

FUNCIONAMIENTO

Giro con el tractor cortacésped en marcha adelante

⚠ ADVERTENCIA

Al invertir la dirección del desplazamiento, le recomendamos que en lo posible realice giros graduales en "U". Los giros más agudos aumentan la posibilidad de que se deteriore el césped y podrían afectar el control del tractor cortacésped. Conduzca SIEMPRE el tractor cortacésped lentamente antes de girar en curvas cerradas.

Para que el tractor cortacésped gire mientras se desplaza hacia adelante, mueva las palancas de control según sea necesario para que una palanca quede más atrás que la otra. El tractor cortacésped girará en la dirección de la palanca que queda más atrás.

1. Para girar a la izquierda, mueva la palanca de control del lado izquierdo hacia atrás respecto de la palanca derecha. Vea la Figura 14.

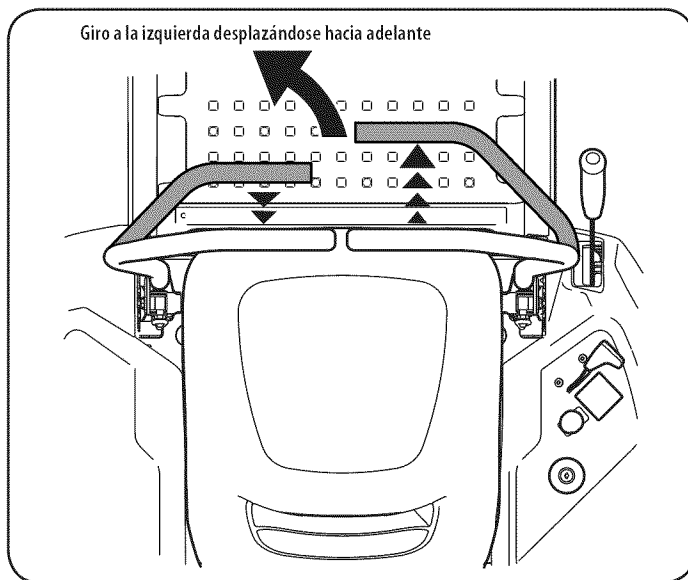


Figura 14

2. Para girar a la derecha, mueva la palanca de control del lado derecho hacia atrás respecto de la palanca izquierda. Vea la Figura 15.

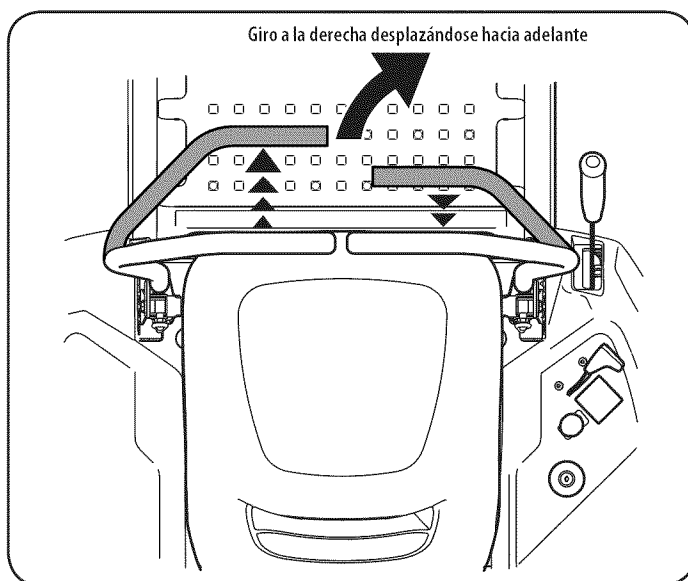


Figura 15

3. Cuanto mayor sea la distancia hacia adelante o hacia atrás entre las dos palancas, más cerrado será el giro que dará el tractor cortacésped.
4. Para realizar un "giro de radio cero", mueva la palanca de control del lado de giro a la posición neutra hacia adentro, mientras mueve la otra palanca de control hacia adelante.

NOTA: Si se realiza un giro de radio cero mientras el vehículo está en movimiento se aumenta significativamente la posibilidad de que se deteriore el césped. Por este motivo y por razones de seguridad, pare el vehículo antes de ejecutar un giro de radio cero.

Conducción del tractor cortacésped marcha atrás

⚠ ADVERTENCIA

Siempre mire hacia atrás y hacia abajo a ambos lados del tractor cortacésped antes de desplazarse marcha atrás. Siempre mire hacia atrás cuando se desplaza en marcha atrás.

1. Mueva las dos palancas de control lenta y suavemente hacia atrás. El tractor cortacésped comenzará a moverse hacia atrás. Vea la Figura 16.

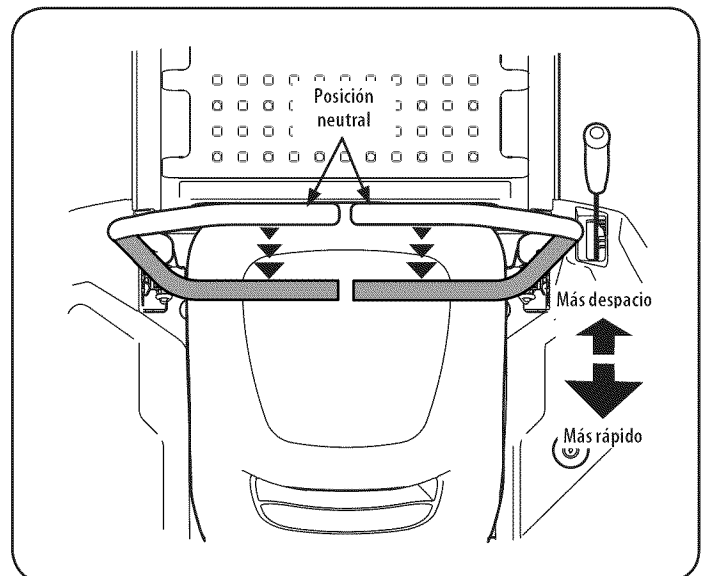


Figura 16

2. A medida que las palancas de control se empujan más hacia atrás, aumenta la velocidad del tractor cortacésped.
3. Para que el tractor cortacésped se desplace más lentamente, mueva la palanca de control hacia adelante hasta alcanzar la velocidad deseada, o coloque las palancas en la posición neutra para detener el tractor cortacésped.

FUNCIONAMIENTO

Realizar un giro mientras se conduce marcha atrás

1. Para que el tractor cortacésped gire mientras se desplaza hacia atrás, mueva las palancas de control según sea necesario para que una palanca quede más adelante que la otra. El tractor cortacésped girará en la dirección de la palanca que queda más adelante.
2. Para girar a la izquierda mientras se desplaza marcha atrás, mueva la palanca de control del lado izquierdo hacia adelante respecto de la palanca derecha. Vea la Figura 17.

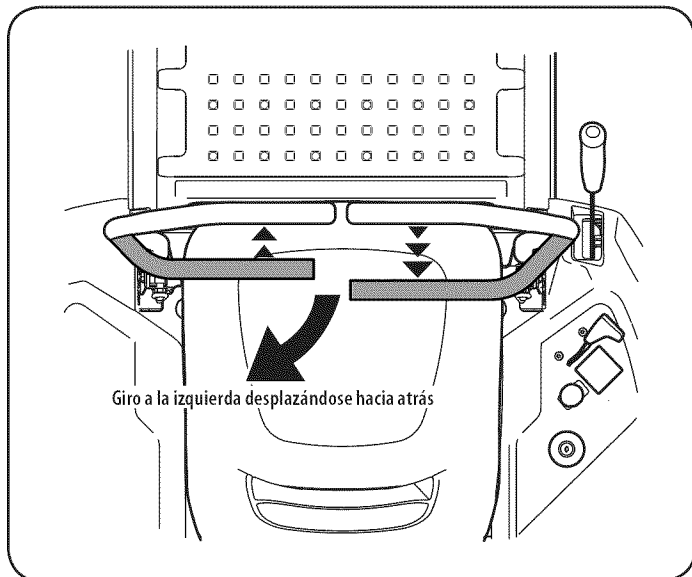


Figura 17

3. Para girar a la derecha mientras se desplaza marcha atrás, mueva la palanca de control del lado derecho hacia adelante respecto de la palanca izquierda. Vea la Figura 18.

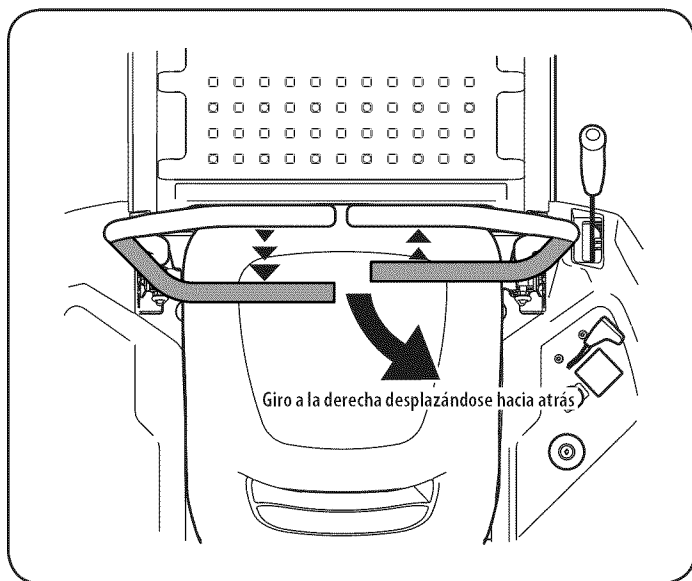



Figura 18

4. Cuanto mayor sea la distancia hacia adelante o hacia atrás entre las dos palancas, más cerrado será el giro que dará el tractor cortacésped.
5. Para realizar un "giro de radio cero", mueva la palanca de control del lado de giro a la posición neutra, mientras mueve la otra palanca de control hacia atrás.


NOTA: Si se realiza un giro de radio cero mientras el vehículo está en movimiento se aumenta significativamente la posibilidad de que se deteriore el césped. Por este motivo y por razones de seguridad, pare el vehículo antes de ejecutar un giro de radio cero.

Modo De Precaución En Marcha Atrás

La posición MODO DE PRECAUCIÓN EN MARCHA ATRÁS  del módulo del interruptor clave permite que el tractor en marcha atrás con las cuchillas (PTO) enganchadas.

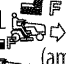

NOTA: No se recomienda cortar el césped en marcha atrás.



¡ADVERTENCIA! Tenga mucho cuidado cuando opere el tractor en MODO DE PRECAUCIÓN EN MARCHA ATRÁS . Siempre mire hacia abajo y hacia atrás antes y mientras está retrocediendo. No opere el tractor cuando haya niños u otras personas presentes. Detenga el tractor inmediatamente si alguien entra en el área.

Para utilizar el MODO DE PRECAUCIÓN EN MARCHA ATRÁS :

NOTA: El operador DEBE estar sentado en el asiento del tractor.

1. Arranque el motor según las instrucciones en la página anterior.
2. Gire la llave desde la posición de PODA NORMAL  (verde) en la posición MODO DE PRECAUCIÓN EN MARCHA ATRÁS  (amarillo) del módulo de interruptor de llave. Vea la Figura 19.

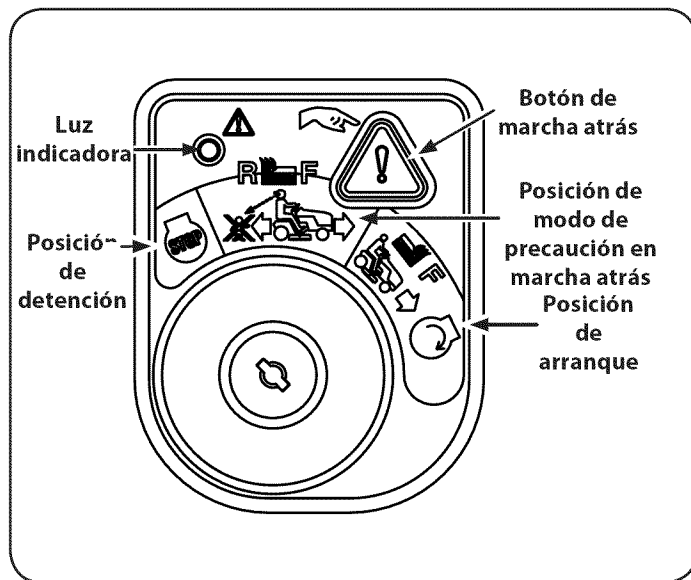
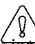



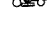


Figura 19

3. Pulse el botón MARCHA ATRÁS  (naranja, botón triangular) en la esquina superior derecha del módulo de interruptor de llave. La luz indicadora roja en la esquina superior del módulo de interruptor de llave a la izquierda estará en ON mientras esté activado. Vea la Figura 19.
4. Una vez activada (indicador luminoso encendido), el tractor se puede conducir en marcha atrás con las cuchillas de corte (PTO) enganchadas.
5. Siempre mire hacia abajo y hacia atrás antes y mientras retrocede, para asegurarse de que no haya niños. Una vez retomada la marcha hacia adelante, devolver la llave en la posición CORTE NORMAL .
6. El MODO DE PRECAUCIÓN EN MARCHA ATRÁS  permanece activado hasta que:
 - a. La llave se coloca ya sea en la posición de CORTE NORMAL  o posición STOP 
 - b. El operador se levanta del asiento.

FUNCIONAMIENTO

Giro de radio cero

⚠ ADVERTENCIA

Para realizar un giro de radio cero, el tractor cortacésped SE DEBE DETENER. La realización de un giro de radio cero con el tractor cortacésped en movimiento puede reducir significativamente el grado de control que se tenga sobre el mismo, y dará lugar a un grave deterioro del césped.

1. Detenga el movimiento del tractor cortacésped hacia adelante o hacia atrás colocando las dos palancas de control en neutra.
2. Para girar en el sentido de las agujas del reloj, mueva la palanca de control del lado izquierdo hacia adelante mientras mueve simultáneamente la palanca de control derecha hacia atrás. Vea la Figura 20.

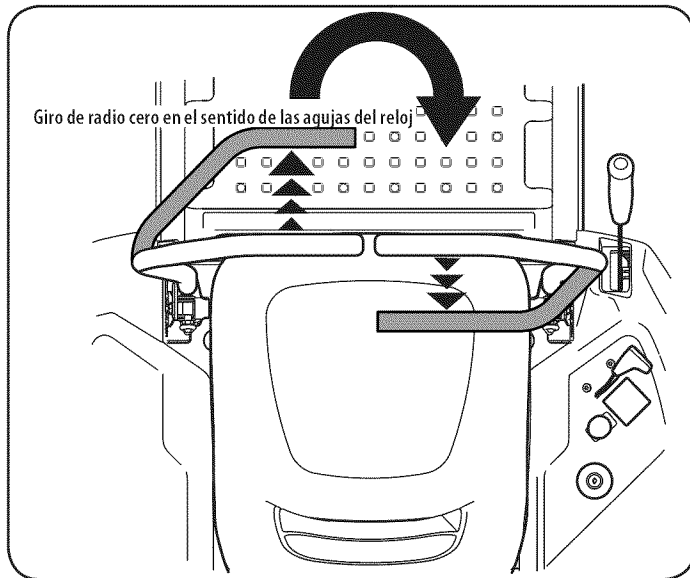


Figura 20

3. Para girar en sentido contrario a las agujas del reloj, mueva la palanca de control del lado derecho hacia adelante mientras mueve simultáneamente la palanca de control izquierda hacia atrás. Vea la Figura 21.

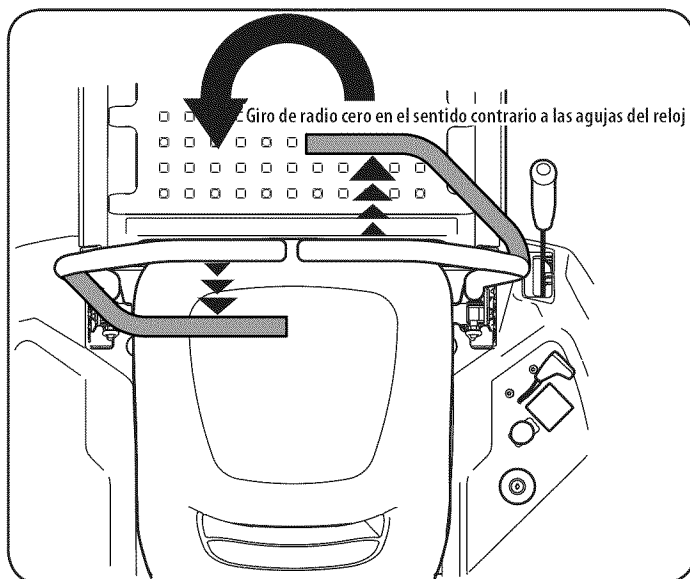


Figura 21

Detención del tractor cortacésped

1. Mueva las dos palancas de control a la posición neutra (freno de mano) para detener el movimiento de la cortadora de césped.
2. Empuje el interruptor de la TDF hacia abajo a la posición de desenganche.
3. Use la manija de elevación de la cubierta para levantar la plataforma a su posición más alta.
4. Si desciende del tractor, mueva la palanca de control se encarga totalmente hacia afuera en posición neutra, que también participa el freno de estacionamiento, mueva el regulador / cebador palanca de control a la posición RÁPIDO , gire la llave de contacto a la posición STOP y quite la llave del interruptor.

⚠ ADVERTENCIA

No abandone el asiento del tractor cortacésped sin desenganchar la toma de fuerza (PTO). Además, se debe colocar las palancas de control de la transmisión totalmente hacia afuera en posición neutra y activar el freno de mano. Si deja el tractor cortacésped sin vigilancia, apague el motor girando la llave de encendido y retírela.

Operación en pendientes

Consulte indicador de pendiente en la Sección Funcionamiento Seguro para determinar en qué pendientes no puede operar el tractor de manera segura.

⚠ ADVERTENCIA

No utilice la unidad en pendientes con una inclinación mayor de 15 grados (elevación aproximada de 2-1/2 pies cada 10 pies). El tractor cortacésped podría volcar y causar lesiones graves.

1. Siempre conduzca el tractor de forma transversal a la pendiente, nunca hacia arriba y hacia abajo. Controle la velocidad y la dirección del tractor cortacésped usando principalmente la palanca de control del lado del tractor cortacésped que queda 'cuesta abajo', mientras que la palanca de control del lado 'cuesta arriba' permanece esencialmente fija.
2. En lo posible evite girar cuesta abajo. Comience en la base de la pendiente y opere cuesta arriba. Siempre reduzca la velocidad antes de dar la vuelta.
3. Ponga especial cuidado y conduzca lentamente al girar cuesta abajo.

Operación de la PTO

Opere el embrague de la toma de fuerza (PTO) de la siguiente forma:

1. Mueva la palanca de control del acelerador/estrangulador aproximadamente a la posición de aceleración intermedia.
2. Tire del interruptor de la toma de fuerza (PTO) hacia arriba a la posición ENGAGED (activado).
3. Mueva la palanca del acelerador/estrangulador hacia adelante a la posición FAST (velocidad rápida) (de aceleración máxima).
4. El operador debe permanecer sentado en el tractor cortacésped en todo momento. Si el operador debe abandonar el asiento sin apagar el interruptor de la toma de fuerza, se apagará el motor del tractor cortacésped.
5. No se puede utilizar el embrague de la toma de fuerza (PTO) cuando el tractor se desplaza marcha atrás. La PTO se desenganchará cuando se desplazan ambas palancas de control de la transmisión hasta la posición de marcha atrás. Para volver a enganchar la PTO, las palancas deben estar en posición neutra o marcha adelante y el interruptor de la PTO debe estar en la posición OFF (apagado, desenganchado) y luego se lo debe regresar a la posición ON (enganchado).

FUNCIONAMIENTO

Uso de la plataforma de corte

ADVERTENCIA

Asegúrese que el área donde se va a cortar esté libre de desechos, ramitas, piedras, cables u otros objetos que puedan ser arrojados por las cuchillas rotativas.

NOTA: No enganche la plataforma de corte cuando esté baja sobre el pasto. Se produce el desgaste prematuro y la posible falla de la correa en "V" y del embrague de la toma de fuerza (PTO). Antes de enganchar la plataforma de corte, levante totalmente la plataforma o lleve la máquina a un área donde no haya césped.

1. Corte de forma transversal a la pendiente, no hacia arriba ni hacia abajo. Si corta el césped en pendiente, comience por la base y desplácese hacia arriba para asegurar que siempre se gire cuesta arriba.
2. Al realizar la primera pasada elija un punto del lado opuesto del área a cortar.
3. Enganche el embrague de la toma de fuerza (PTO) usando el interruptor de la toma de fuerza (PTO) y mueva el control del acelerador/estrangulador a la posición FAST (velocidad rápida).
4. Baje la plataforma de corte al ajuste de altura deseado usando la manija de elevación.
5. Empuje las palancas de control del lado derecho y del lado izquierdo lentamente y de forma pareja hacia adelante para que el tractor cortacésped avance hacia adelante, y mantenga la orientación del tractor en línea recta hacia el punto de alineación.

NOTA: La velocidad del tractor cortacésped afecta la calidad del corte que realiza la cortadora. Si realiza el corte a máxima velocidad la calidad se ve afectada negativamente. Controle la velocidad absoluta con las palancas de control.

6. Cuando se acerque al otro extremo de la franja, reduzca la velocidad o deténgase antes de girar. Se recomienda realizar un giro en U a menos que sea necesario realizar un giro de radio cero.
7. Alinee la cortadora de césped con un borde de la franja cortada y superponga la pasada aproximadamente 3 pulgadas.
8. Oriente el tractor cortacésped en cada franja subsiguiente de modo que se alinee con la franja ya cortada.
9. Para evitar la formación de surcos o ranuras en el césped, en lo posible varíe la dirección de las franjas de corte aproximadamente 45° en cada corte subsiguiente.

WARNING

Tenga sumo cuidado al atravesar senderos de grava o caminos de acceso. Desenganche la toma de fuerza (PTO) y levante la plataforma hasta la posición más alta antes de cruzar.


NOTA: Siempre que detenga el tractor cortacésped por cualquier razón en un área de césped, haga lo siguiente:

- Coloque las palancas de control en neutral (freno de mano),
- Apague el motor y retire la llave.
- Si lo hace, reducirá al mínimo la posibilidad de que su césped "dorado" de escape caliente del motor en marcha de su cortadora de césped.

Comprobación del bloqueo de seguridad Circuitos

Revise periódicamente los circuitos de seguridad para asegurarse de que funcionan correctamente. Si un circuito de seguridad no está funcionando como se diseñó, en contacto con usted distribuidor Cub Cadet para que inspeccione el tractor. NO opere el tractor si cualquier circuito de seguridad no está funcionando correctamente.

Para comprobar los circuitos de seguridad, siga estos pasos:

1. Tire del interruptor de la TDF hacia arriba a la posición de START . Momentáneamente girar el interruptor de encendido a la posición de inicio, el motor no debe arrancar.
2. Mueva las dos palancas de control totalmente hacia adentro en la posición neutral, a continuación, levante hacia arriba desde el asiento del operador. El motor debe detenerse.
3. Con las dos palancas de control totalmente hacia afuera en posición de acoplamiento neutral / freno de mano, conectar la PTO. Levante hacia arriba desde el asiento del operador, el motor se detendrá.
4. Arranque el tractor y mover las palancas de control hacia adentro a la posición de operación neutral. Active el PTO y mover tanto la palanca de control lentamente a la posición de retroceso lento, el PTO debe retirar las tropas y el equipo de corte debe parar.

SERVICIO Y MANTENIMIENTO

PROGRAMA DE MANTENIMIENTO

ADVERTENCIA

Antes de realizar cualquier tipo de mantenimiento o servicio, desenganche todos los controles y detenga el motor. Espere a que se detengan completamente todas las piezas móviles. Desconecte el cable de la bujía y póngalo haciendo masa contra el motor para evitar que se encienda accidentalmente. Utilice siempre anteojos de seguridad durante el funcionamiento o mientras ajusta o repara este equipo.

Siga el cronograma de mantenimiento que se presenta a continuación. Esta tabla sólo describe pautas de servicio. Utilice la columna Registro de Servicio para hacer el seguimiento de las tareas de mantenimiento completadas. **Llame al 1-888-331-4569 para programar el servicio del servicio de piezas y reparaciones de Sears.**

Intervalo	Artículo	Reparación y mantenimiento	Registro de servicio
Cada uso	<ol style="list-style-type: none"> 1. Área Mower y escape 2. eje de transmisión hidráulica 3. Los neumáticos y la presión 4. Plataforma, segadoras y conducir cinturones 5. Blades y apriete de los pernos 6. Funcionamiento del interruptor de seguridad 	<ol style="list-style-type: none"> 1. limpiar 2. Compruebe si hay fugas 3. comprobar 4. comprobar 5. comprobar 6. comprobar 	
Cada 25 horas	<ol style="list-style-type: none"> 1. Rodamientos para husillos 	<ol style="list-style-type: none"> 1. grasa 	
Cada 50 horas	<ol style="list-style-type: none"> 1. Use Puntos 2. montaje Grease 	<ol style="list-style-type: none"> 1. lubricar 2. lubricar 	
Cada 100 horas	<ol style="list-style-type: none"> 1. Cubiertas de refrigeración y áreas de enfriamiento 2. Sujetadores y componentes 	<ol style="list-style-type: none"> 1. Retire y limpie 2. Compruebe y asegure 	
Cada temporada/antes de almacenar	<ol style="list-style-type: none"> 1. puntos de giro 2. Palanca de control 3. primavera de Extensión 	<ol style="list-style-type: none"> 4. lubricar 5. lubricar 6. lubricar 	
Después de cortar el césped	<ol style="list-style-type: none"> 1. Área Mower y escape 2. Use puntos 	<ol style="list-style-type: none"> 1. limpiar 2. lubricar 	
Una vez al mes	<ol style="list-style-type: none"> 1. Las poleas del husillo 2. V-Belt 	<ol style="list-style-type: none"> 1. limpiar 2. limpiar 	

ADVERTENCIA

Antes de realizar tareas de mantenimiento o reparaciones, desconecte la toma de fuerza (PTO), mueva las palancas de control totalmente hacia afuera hasta la posición neutra, coloque el freno de mano, apague el motor y retire la llave, para evitar el encendido accidental del motor.

Mantenimiento del motor

Consulte el Manual del propietario para todos los procedimientos e instrucciones de mantenimiento del motor.

Changing the Engine Oil

ADVERTENCIA

Si el motor ha estado en funcionamiento recientemente, el motor, el silenciador y las superficies metálicas circundantes estarán calientes y pueden causar quemaduras en la piel. Tenga precaución para evitar quemaduras.

Para realizar el cambio de aceite, proceda de la siguiente manera:

1. Haga funcionar el motor por un corto tiempo para calentar el aceite del motor. El aceite fluirá mejor y limpiará las impurezas. Tenga cuidado de no quemarse con el aceite caliente.

SERVICIO Y MANTENIMIENTO

- Localice la manguera de drenaje de aceite en el lado izquierdo del motor. Véase la Figura 21.

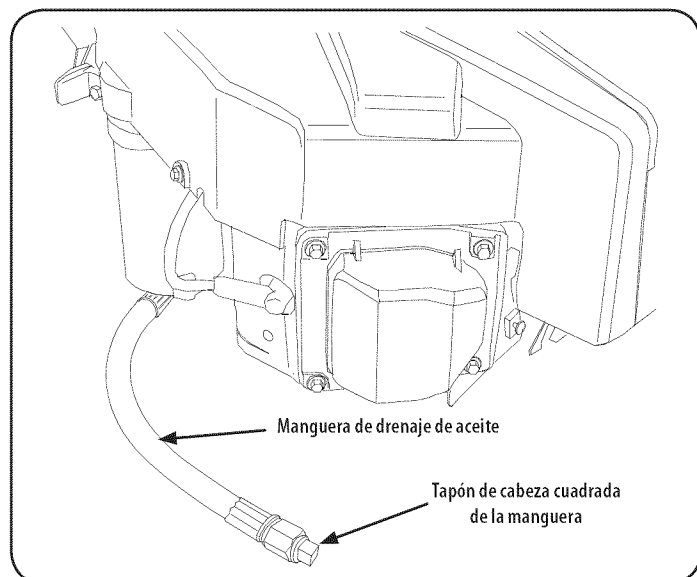


Figura 21

- Coloque el extremo libre de la manguera de drenaje de aceite en un depósito de recolección de aceite adecuado que posea una capacidad de por lo menos 2.5 cuartos de galón (2.4 litros) para recoger el aceite usado. Retire el tapón de llenado de aceite/la varilla de nivel de aceite del tubo de llenado.
- Mientras sostiene el extremo libre de la manguera de drenaje de aceite sobre el recipiente de recolección de aceite, desenrosque el tapón de la manguera del extremo de la manguera. Vea la Figura 21. Drene el aceite del motor dentro del recipiente.
- Una vez que haya drenado el aceite, limpie el aceite residual de la manguera de drenaje. Enrosque el tapón de cabeza cuadrada dentro del accesorio de la manguera de drenaje y apriete el tapón por completo.
- Una vez que el petróleo ha terminado de drenaje, vuelva a colocar el tapón de la manguera de la cabeza cuadrada y llenar el motor según las instrucciones en el manual del propietario del motor. Consulte el manual del propietario del motor incluido con este tractor para la capacidad de aceite.

Mantenimiento de los neumáticos

Controle la presión de aire de los neumáticos cada 50 horas de operación o una vez por semana. Mantenga los neumáticos inflados a las presiones recomendadas. El inflado inadecuado de un neumático reduce su vida útil. Consulte los laterales de los neumáticos para averiguar las presiones de inflado adecuadas. Respete las siguientes pautas:

- No infle los neumáticos por encima de la presión máxima que se muestra en el lateral del neumático.
- No vuelva a inflar un neumático que se ha utilizado desinflado o desinflado en extremo. Un gomero calificado debe inspeccionar y reparar el neumático.

Lubricación

- Con una pistola de lubricación a presión, lubrique los ejes de las ruedas pivotantes delanteras y el eje de pivote delantero con grasa de litio multifunción No. 2 cada 10 horas de servicio.

- Lubrique periódicamente todos los otros puntos de pivote, por ejemplo, el soporte de pivote del asiento, el soporte de polea loca de la plataforma, el conjunto del eje de elevación de la plataforma, etc. con un aceite lubricante de calidad.

Información general sobre la batería

⚠ ADVERTENCIA

En caso de que se produzca una salpicadura accidental de ácido en los ojos o la piel, enjuague el área afectada inmediatamente con agua limpia fría. Si tiene algún malestar adicional, consulte un médico inmediatamente. Si el ácido salpica la ropa, en primer lugar dilúyalo con agua limpia, luego neutralícelo con una solución de agua/amoniaco o bicarbonato/agua.

⚠ ADVERTENCIA

NUNCA conecte (o desconecte) las abrazaderas del cargador de la batería a la batería si el cargador está encendido, ya que puede causar chispas. Mantenga todas las fuentes de combustión (cigarrillos, cerillas, encendedores) lejos de la batería. El gas generado durante la carga puede ser combustible. Como precaución adicional, cargue la batería únicamente en un área bien ventilada. Siempre proteja sus ojos y su piel y vestimenta cuando trabaje cerca de baterías.

⚠ ADVERTENCIA

Las baterías contienen ácido sulfúrico y pueden producir gases explosivos. Tenga extremo cuidado cuando manipule baterías. Mantenga las baterías lejos del alcance de los niños.

Mantenimiento de la batería

La batería se llena con ácido de batería y se sella en fábrica. Sin embargo, para asegurar un ciclo de vida adecuado es necesario realizar cierto mantenimiento en la batería, aún en el caso de las baterías 'sin mantenimiento'.

- Rocíe los bornes y el cable expuesto con un sellador de bornes de batería, o recubra los bornes con una capa delgada de grasa o vaselina para protegerlos contra la corrosión.
- Siempre mantenga limpios y libres de corrosión los cables y los bornes de la batería.
- Evite inclinar la batería. Hasta una batería sellada pierde electrolito si se la inclina.

Retiro de la batería

⚠ ADVERTENCIA

Los postes, bornes y accesorios de la batería contienen plomo y compuestos de plomo. Lávese las manos después de estar en contacto con estos componentes.

La batería está ubicada del lado derecho/posterior del tractor cortacésped, debajo del marco de la caja del asiento. Para retirar la batería:

SERVICIO Y MANTENIMIENTO

1. Quite los dos tornillos autorroscantes hexagonales del soporte de sujeción de la batería y retire el soporte. Preste atención para no perder el fleje de compensación de la base del soporte. Vea la Figura 22.

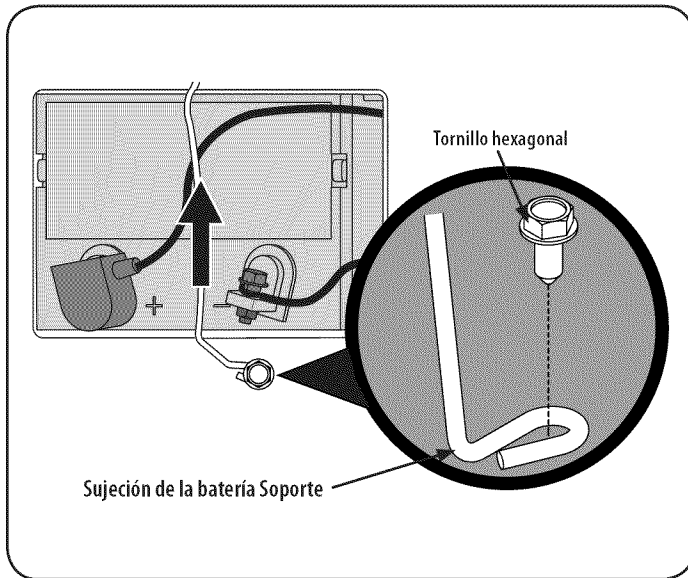


Figura 22

2. Retire el tornillo hexagonal y la tuerca Sems que fijan el conductor negativo negro de la batería al borne negativo de la batería (marcado 'NEG'). Aleje el cable del borne negativo de la batería.
3. Retire el tornillo hexagonal y la tuerca Sems que fijan el conductor positivo rojo de la batería al borne positivo de la batería (marcado 'POS').
4. Levante con cuidado la batería para sacarla del tractor cortacésped.
5. Instale la batería repitiendo los pasos anteriores en orden inverso.

⚠ ADVERTENCIA

Siempre conecte el conductor positivo a la batería antes de conectar el conductor negativo. Esto evita la generación de chispas o posibles lesiones producidas por un cortocircuito eléctrico causado por el contacto del cuerpo del tractor cortacésped con las herramientas que se usan para conectar los cables.

Carga de la batería

1. Si el tractor cortacésped ha estado guardado durante un tiempo, pruebe la batería y, si es necesario, recárguela.
2. Un voltímetro o medidor de carga debería dar una lectura de 12.6 voltios (CC) o más en todos los bornes de la batería. Vea la Figura 23.

Lectura del voltímetro	Estado de la carga	Duración de la carga
12.7	100%	Carga completa
12.4	75%	90 Min.
12.2	50%	180 Min.
12.0	25%	280 Min.

Figura 23

3. Cargue la batería con un cargador de batería de 12 voltios a un MÁXIMO de 10 amperios.

Mantenimiento del sistema eléctrico

El tractor cortacésped tiene instalado un fusible para proteger el sistema eléctrico de los daños causados por el exceso de amperaje. Siempre reemplace con fusibles de la misma capacidad. Si el sistema eléctrico no funciona, controle si hay un fusible quemado.

Si se repite el problema de los fusibles quemados, llame al 1-888-331-4569 para programar el servicio del sistema eléctrico del tractor del servicio de piezas y reparaciones de Sears.

Relés e interruptores

Hay varios interruptores de seguridad en el sistema eléctrico. Si una función del sistema de bloqueo de seguridad descrito antes no funciona adecuadamente, llame al 1-888-331-4569 para que el servicio de piezas y reparaciones de Sears controle el sistema eléctrico.

Uso del sistema de lavado de la plataforma

⚠ ADVERTENCIA

Cuando use el sistema de lavado de la plataforma, nunca enganche la plataforma desde otra posición que no sea la del asiento del operador del tractor cortacésped. No use un asistente ni enganche la plataforma en presencia de ningún observador.

1. Una el adaptador del pico a una manguera de jardín estándar conectada al suministro de agua.
2. Desplace el tractor cortacésped a un área al alcance de la manguera, en la cual la dispersión de recortes de pasto húmedo sea aceptable para usted. Desconecte la toma de fuerza (PTO), aplique el freno de mano y detenga el motor.

SERVICIO Y MANTENIMIENTO

3. Tire hacia atrás el collarín de ajuste del adaptador del pico y empuje el adaptador hacia el pico de lavado de plataforma del extremo izquierdo de la plataforma de corte. Suelte el collarín de ajuste para trabar el adaptador en el pico. Consulte la Figura 24.

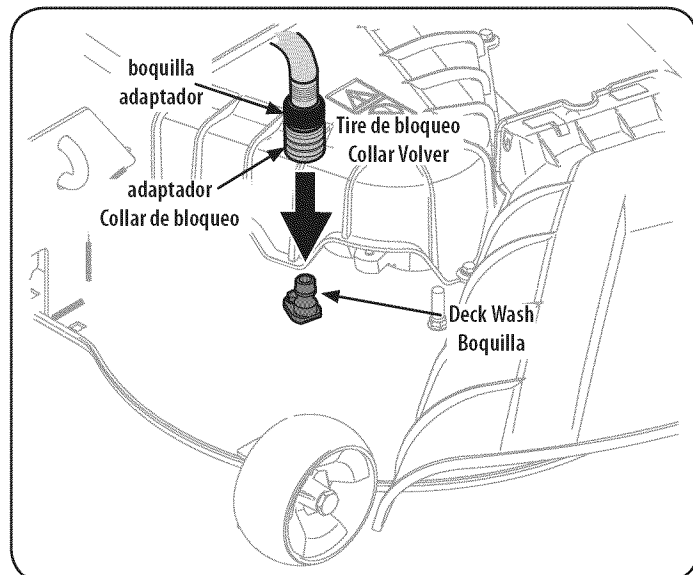


Figura 24

4. Abra el suministro de agua.
5. Desde el asiento del operador del tractor cortacésped, encienda el motor y enganche la toma de fuerza (PTO). Deje funcionar según sea necesario. Desenganche la toma de fuerza (PTO) y detenga el motor.
6. Cierre el suministro de agua.
7. Tire del collarín de ajuste del adaptador del pico hacia atrás para desconectar el adaptador del pico.

Limpieza de las poleas del husillo

Una vez por mes retire las cubiertas de la correa para quitar cualquier acumulación de recortes de césped que haya alrededor de las poleas del husillo y de la correa en 'V'. Limpie con mayor frecuencia si corta césped alto y seco.

Uso de las varillas de derivación de la transmisión

Si por alguna razón el tractor cortacésped no funciona o usted desea moverlo, las dos transmisiones hidrostáticas están equipadas con una varilla de derivación que permite mover manualmente el tractor cortacésped a lo largo de distancias cortas.

⚠ PRECAUCIÓN

No remolque el tractor cortacésped, ni siquiera con la varilla de derivación enganchada. La transmisión del tractor sufrirá graves daños.

1. Ubique las dos varillas de derivación de transmisión, justo delante de los dos neumáticos traseros. Consulte la Figura 25.

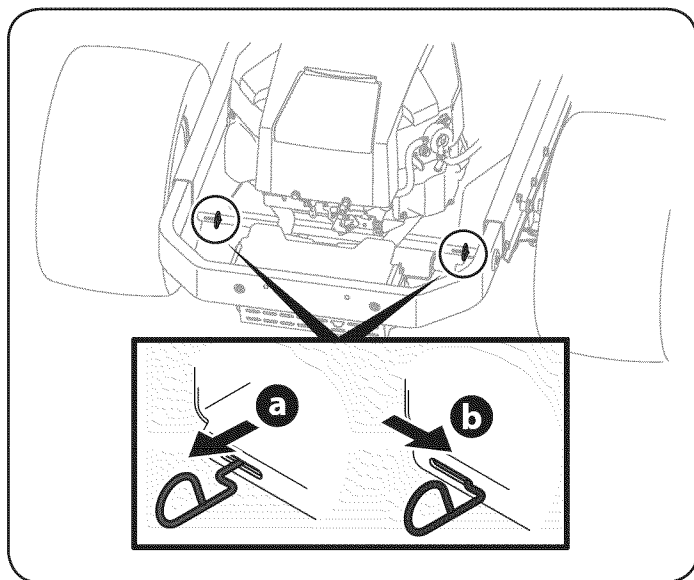


Figura 25

2. Enganche las varillas de derivación tirando cada uno (a) ya la derecha (b) para que encaje en su lugar. Ver Figura 25.
3. Desenganche las varillas de derivación invirtiendo los pasos a & b después de mover el tractor. Ver Figura 25.

NOTA: La transmisión no se involucrará en la barra de transmisión de circunvalación se saca. Regresa la vara a su posición normal antes de hacer funcionar la cortadora de césped.

⚠ PRECAUCIÓN

Nunca intente mover el tractor cortacésped manualmente sin tener que abrir primero la válvula de alivio hidrostática. Si lo hace, puede causar daños graves a la transmisión de la cortadora de césped.

SERVICIO Y MANTENIMIENTO

Ajustes

⚠ PRECAUCIÓN

Apague el motor, retire la llave de encendido y coloque el freno de mano antes de realizar ajustes. Proteja sus manos utilizando guantes reforzados cuando manipule las cuchillas.

Ajuste de las palancas de control de la transmisión LADO DERECHO y LADO IZQUIERDO

El RH y LH palancas de control se puede ajustar hacia arriba o hacia abajo y hacia adelante o hacia atrás para la comodidad del operador. Las palancas de control se pueden colocar en cualquiera de las dos posiciones de altura, y / o se pueden mover hacia adelante o hacia atrás dentro de la gama de la ranura en cada brazo inferior.

Para ajustar la altura de la palanca de accionamiento, proceda de la siguiente manera:

1. Retire el tornillo hexagonal superior y la arandela plana que aseguran la palanca para el soporte de pivote.
2. Mientras sujeta la palanca de control para evitar que se caiga, quite el tornillo hexagonal y la arandela plana de la parte inferior de la palanca de control y el brazo inferior. Consulte la Figura 26.

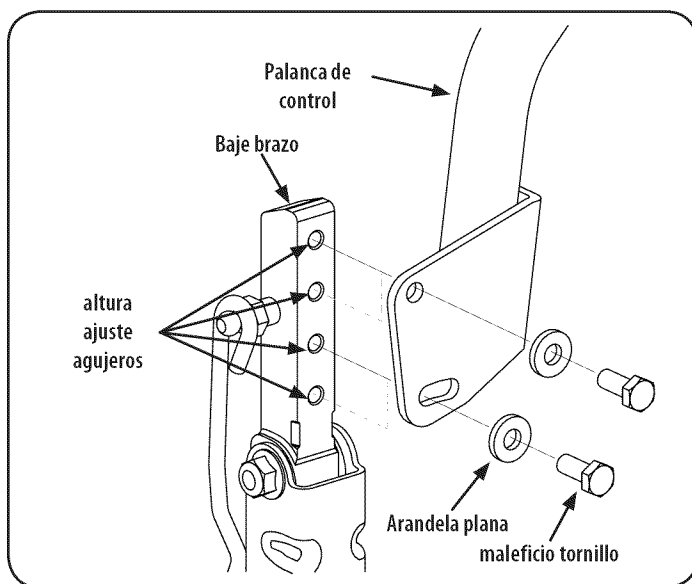


Figura 26

3. Volver a colocar la palanca de control para alinearse con el otro conjunto de agujeros en el brazo inferior e inserte el tornillo hexagonal a través de la arandela plana y en la parte inferior del brazo. Apriete el tornillo hexagonal hasta que quede apretado.
4. Insertar el tornillo hexagonal a través de la arandela plana y a través de la ranura de la palanca de control y el brazo inferior. No apriete ahora.
5. Si usted va a ajustar las palancas de control hacia adelante o hacia atrás, continúe con el siguiente paso. Si no, apriete completamente el tornillo hexagonal.

Para ajustar las palancas de control hacia adelante / atrás, proceda de la siguiente manera:

1. Si no está ya suelta, afloje el tornillo hexagonal y girar la palanca de control hacia adelante o hacia atrás a la posición deseada. Ver Figura 28.

NOTA: Si la palanca de control es demasiado apretado para mover, aflojar ligeramente el tornillo hexagonal en la parte inferior de la palanca de control.

2. Apriete el tornillo hexagonal para fijar la palanca de control en la posición ajustada
3. Repita el procedimiento anterior para ajustar la otra palanca de control en la misma posición. Ajuste de manera que las dos palancas son incluso uno con el otro cuando está en la posición de punto muerto.

Nivelación de la plataforma de corte

NOTA: Controle la presión de neumáticos del tractor antes de realizar cualquier nivelación de la plataforma. Consulte la sección Neumáticos para obtener información sobre la presión de los neumáticos.

⚠ ADVERTENCIA

Apague el motor, retire la llave de encendido y coloque el freno de mano antes de realizar ajustes. Proteja sus manos utilizando guantes reforzados cuando maneje las cuchillas.

Nivelación Lado a Lado

NOTA: Controle la presión de neumáticos del tractor antes de realizar cualquier nivelación de la plataforma. Consulte la sección Neumáticos para obtener información sobre la presión de los neumáticos. Siempre nivelar la plataforma lado a lado antes de adelante hacia atrás.

Si la plataforma de corte de césped de forma despareja, puede realizarse un ajuste lado a lado. Ajuste si es necesario lo siguiente:

4. Con el tractor estacionado sobre una superficie firme y nivelada, coloque la manija de elevación de la plataforma en una posición de corte medio y rote ambas cuchillas exteriores para que estén perpendiculares con el tractor.
5. Mida la distancia desde la parte exterior de la punta de la pala izquierda para el suelo y la distancia desde el exterior de la punta de la cuchilla derecha hasta el suelo. Las dos mediciones obtenidas deben ser iguales. Si no lo son, continúe con el siguiente paso.
6. Afloje, pero NO extraiga, el perno hexagonal en el enlace de suspensión izquierda de la plataforma trasera. Ver Figura 27.

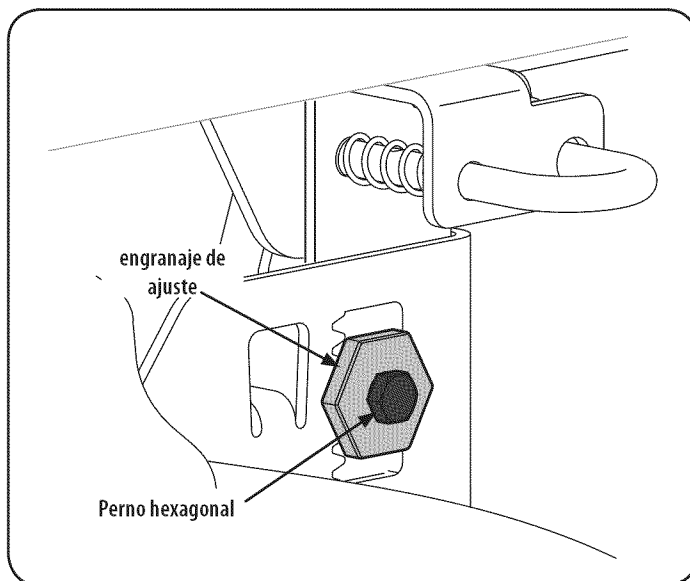


Figura 27

NOTA: El enlace de suspensión derecho de la cubierta trasera no es ajustable y se utiliza para ayudar a ajustar los otros enlaces de suspensión.

SERVICIO Y MANTENIMIENTO

- Usando una llave, levante o baje el lado izquierdo de la plataforma girando el engranaje de ajuste. Ver Figura 27.
- La plataforma se encuentra correctamente nivelada cuando las dos mediciones puntas de las cuchillas son iguales. Vuelva a apretar el tornillo hexagonal de la izquierda de la plataforma soporte de la suspensión delantera cuando se logra el ajuste correcto.

Nivelación adelante atrás

NOTA: Controle la presión de neumáticos del tractor antes de realizar cualquier nivelación de la plataforma. Consulte la sección Neumáticos para obtener información sobre la presión de los neumáticos. Siempre nivelar la plataforma lado a lado antes de adelante hacia atrás.

La parte frontal de la plataforma debe estar entre 1.4 a 3.8 "más bajo que la parte trasera de la cubierta. Ajuste si es necesario lo siguiente:

- Aparcar el tractor en una superficie firme y plana y coloque la manija de elevación de la cubierta en una posición intermedia.
- Girar la cuchilla lo más cerca del canal de descarga que es paralelo con el tractor.
- Mida la distancia desde la parte delantera de la punta de la pala en el suelo y la parte trasera de la punta de la hoja al suelo. La primera medición realizada debe estar entre 1/4 "y 3/8" menos que la segunda medición.
- Determine la distancia aproximada necesaria para un ajuste adecuado y, si es necesario.
- Con una llave, levante o baje la parte delantera de la cubierta girando la tuerca en la varilla de elevación de la plataforma delantera. Ver Figura 28.

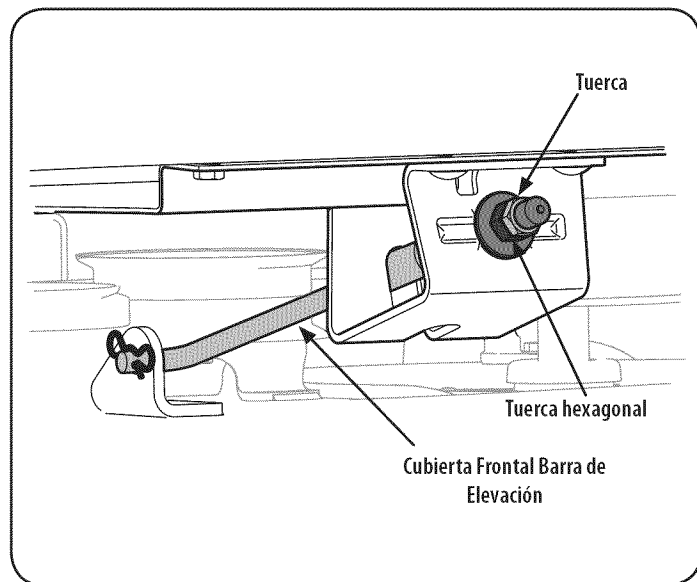


Figura 28

- La plataforma se encuentra correctamente nivelada cuando la punta delantera de la cuchilla es de 1/4 "de abajo que la punta posterior. Vuelva a apretar el tornillo hexagonal en los enlaces de suspensión trasera de la plataforma de izquierda cuando se logra el ajuste correcto.

Ajuste de las ruedas de calibración

⚠ ADVERTENCIA

Mantenga las manos y pies alejados de la abertura de descarga de la plataforma de corte.

NOTA: Las ruedas de calibración de la plataforma constituyen un mecanismo para el cuidado del césped y no fueron diseñadas para soportar el peso de la plataforma de corte.

La altura de corte de la plataforma de corte se puede fijar en cualquiera de seis valores de altura usando la manija de elevación de la plataforma del tractor. La posición de las ruedas de calibración de la plataforma debe ser aproximadamente entre 1/4-1/2" por encima del nivel del suelo cuando la plataforma se fija en el valor de altura deseado.

Usando la manija de elevación, fije la plataforma en el valor de altura deseado, luego controle la distancia entre la rueda de calibración y el piso. Si es necesario, ajústela de la siguiente forma:

- Controle visualmente la distancia entre la rueda de calibración delantera y el suelo. Si la rueda de calibración está cerca del suelo o lo toca, es necesario levantarla. Si la rueda de calibración se encuentra a más de 1/2" del suelo, es necesario bajarla.
- Retire la tuerca de seguridad con brida que fija el perno con reborde de la rueda de calibración delantera a la plataforma. Retire la rueda de calibración y el perno con reborde. Consulte la Figura 29.

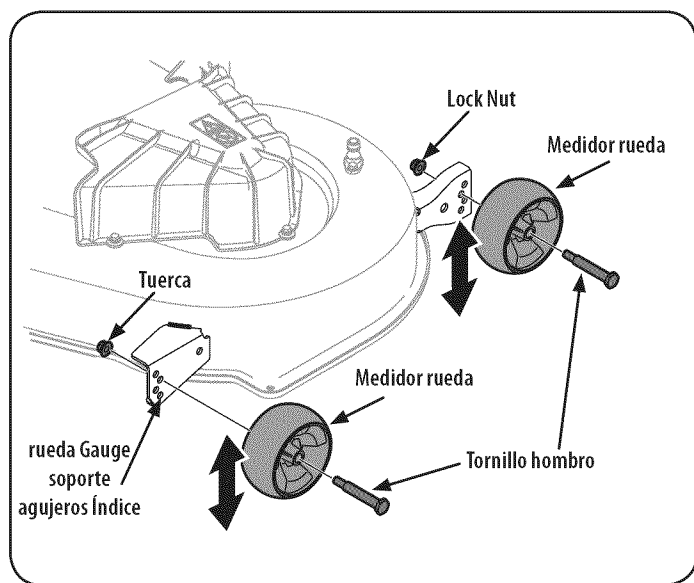


Figura 29

- Inserte el perno con reborde en uno de los cuatro orificios de posicionamiento del soporte de rueda de calibración delantera que dé a la rueda de calibración, una separación de 1/4-1/2" del suelo y sujete con la tuerca de seguridad con brida.
- Observe el orificio de posicionamiento de la rueda que acaba de ajustar y ajuste la rueda de calibración trasera en el orificio de posicionamiento respectivo del otro soporte de rueda de calibración de la plataforma.

SERVICIO Y MANTENIMIENTO

Control de la palanca de la transmisión Ajuste del tope

Cuando las palancas de control son a la vez completamente extendidos hacia delante a la posición de máxima velocidad y las derivas del tractor hacia la izquierda o derecha, el ajuste del tope de la palanca de control de desplazamiento se puede ajustar para sincronizar las velocidades de las ruedas. Para realizar el ajuste, proceda de la siguiente manera:

1. Identifique el lado de que el tractor está a la deriva hacia y ajustar la palanca de accionamiento opuesto. Si el tractor se desvía a la derecha, ajuste la palanca de control izquierda hacia abajo (disminuir la velocidad), y viceversa.
2. Localice los tornillos de ajuste de tope de la palanca de control de desplazamiento en la parte delantera del bastidor del asiento. Consulte la Figura 30.

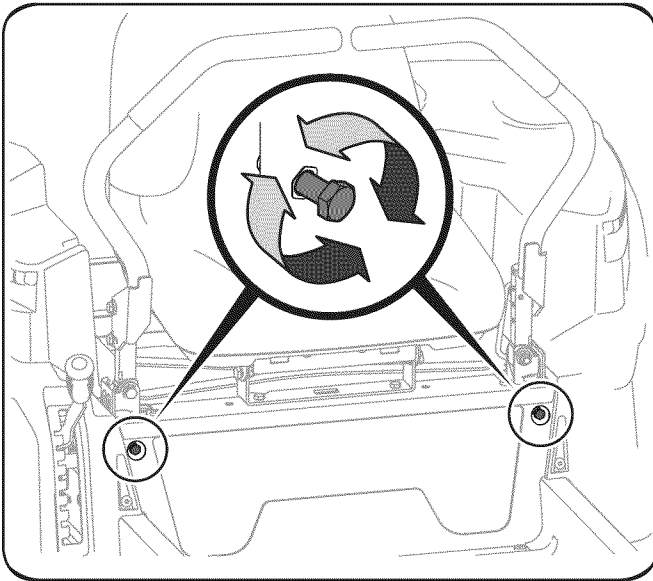


Figura 30

3. Para disminuir la velocidad de avance, gire el tornillo en sentido horario. Para aumentar la velocidad de avance, gire el tornillo en sentido antihorario. Girar el perno en la dirección necesaria 1/4-turn a la vez. Después de girar el tornillo, compruebe el ajuste por la conducción del tractor.
4. Continúe el ajuste hasta que las velocidades de las ruedas están en sintonía y el tractor impulsa recta con las palancas de control totalmente extendidos hacia adelante en la posición de máxima velocidad.

Retiro de la plataforma

Quite la cubierta de la podadora del tractor de la siguiente manera:

1. Mueva el tractor a una superficie nivelada, desenganche la toma de fuerza, apagar el motor y ponga el freno de estacionamiento.
2. Mueva las ruedas de calibración de la plataforma a su posición más alta (ajuste de la cubierta más baja).
3. Retire la correa de 'V' de la polea del PTO, situado en la parte inferior del motor, utilizando uno de los dos métodos siguientes.

ADVERTENCIA

El silenciador en la parte trasera del tractor puede estar sumamente caliente y podría causar quemaduras graves. Tenga mucho cuidado cuando se encuentre cerca del silenciador. Deje que el silenciador se enfríe totalmente antes de quitar la correa de la polea del PTO.

4. Liberar la tensión de la correa con la polea loca
 - a. Usando la manija de elevación de la plataforma, levante la plataforma a la posición que le ofrece mayor recorrido horizontal de la correa entre las poleas locas de la plataforma y la polea toma de fuerza en la parte inferior del motor. Ver Figura 31.

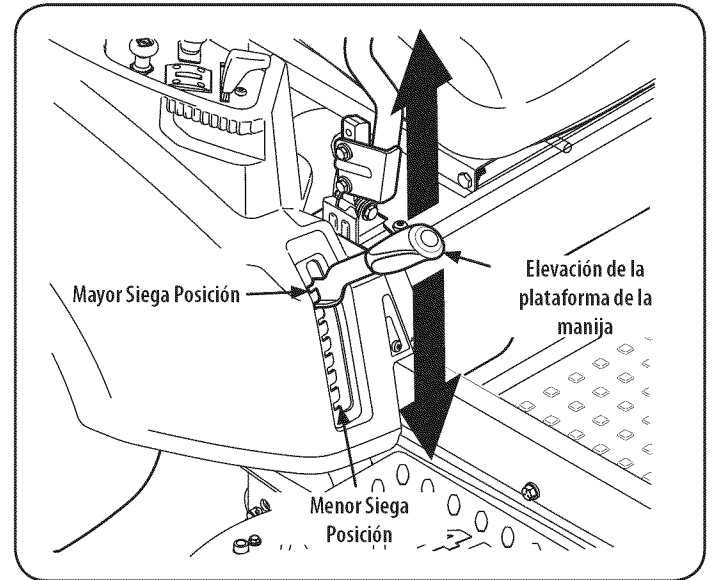


Figura 31

- b. Desde la parte media del tractor, haga girar el soporte de polea loca y la polea móvil hacia atrás, la polea de distancia de la parte trasera de la cinta "V" lo suficiente como para levantar la cinta hacia arriba y sobre la polea loca. Ver Figura 33.

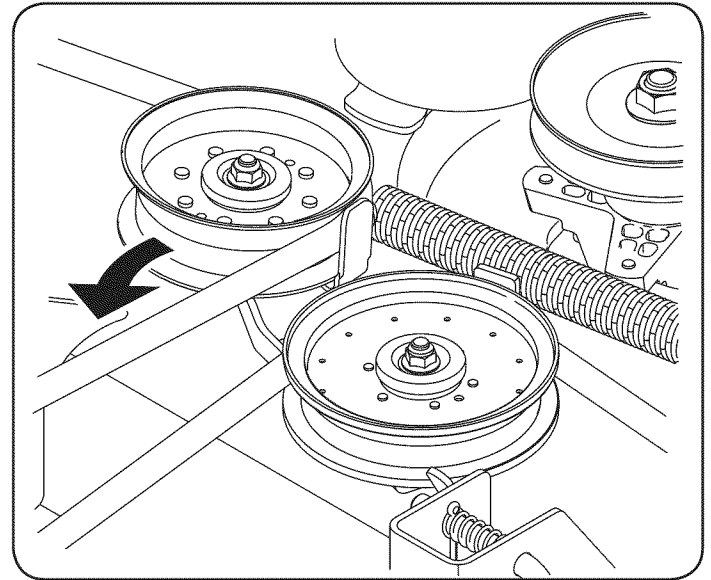


Figura 32

- c. Desde debajo de la parte trasera del tractor, deslice la correa fuera de la polea del PTO en la parte inferior del motor.
5. La rueda de la correa de la polea del PTO

SERVICIO Y MANTENIMIENTO

- a. Usando la manija de elevación de la plataforma, levante la plataforma a la posición que le ofrece mayor recorrido horizontal de la correa entre las poleas locas de la plataforma y la polea toma de fuerza en la parte inferior del motor.
- b. Sentado detrás del tractor, mirando hacia adelante, por debajo de alcanzar el tractor para agarrar la correa en la parte delantera de la polea del PTO.

ADVERTENCIA

Tenga cuidado de no pellizcarse los dedos cuando saca la correa de la polea de la PTO.

- c. Tire del lado izquierdo de la correa hacia atrás y hacia abajo mientras gira manualmente la polea del PTO a la derecha hasta que la correa se deslice hacia fuera sobre el borde de la polea inferior de la polea.

NOTA: Si tirando de la parte derecha de la cinta, girar la polea de izquierda.

- d. Mientras sostiene la correa hacia abajo, siga girando la polea del PTO hasta que la correa se deslice fuera de la polea. Consulte la Figura 33.

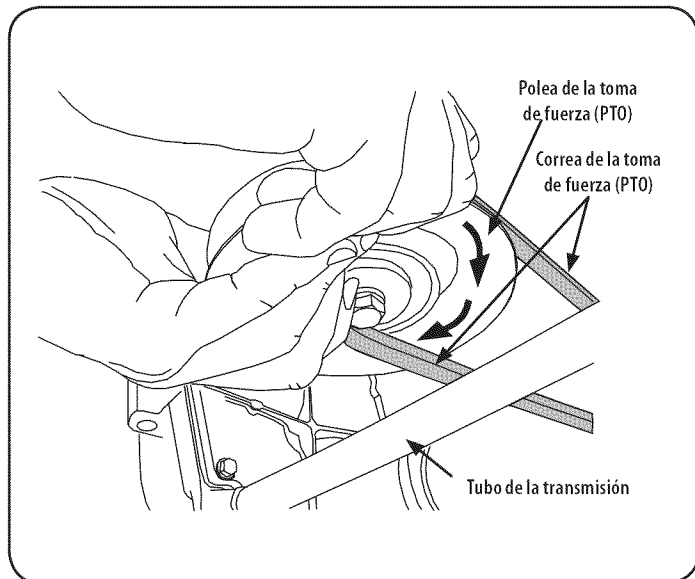


Figura 33

5. Baje la plataforma hasta la posición más baja usando la manija de elevación de la cubierta. Ver Figura 31.

6. Tire del pasador de la varilla de elevación de la plataforma frente a la fijación a la cubierta. Ver Figura 34. Deslice la barra de elevación de la plataforma de la ménsula de suspensión frontal.

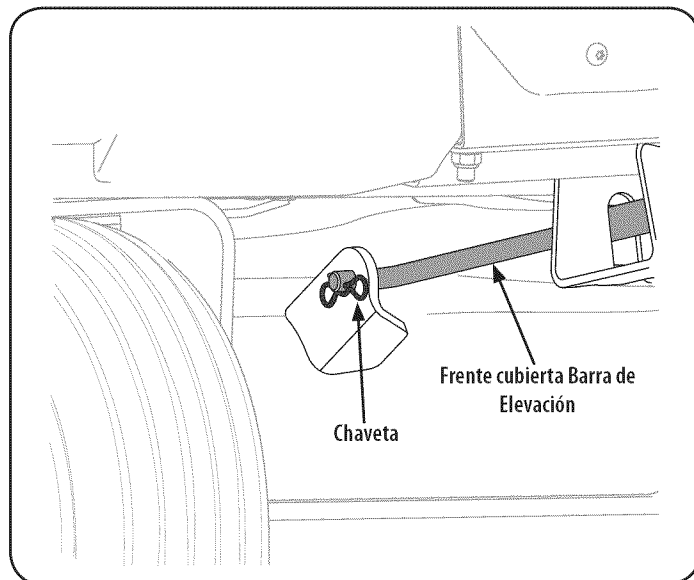


Figura 34

7. Busque la LH y RH clavijas de liberación de la cubierta en cada lado de la cubierta. Tire de los pasadores de liberación hacia fuera y libere la cubierta de la LH y RH brazos de elevación de la plataforma. Ver Figura 35.

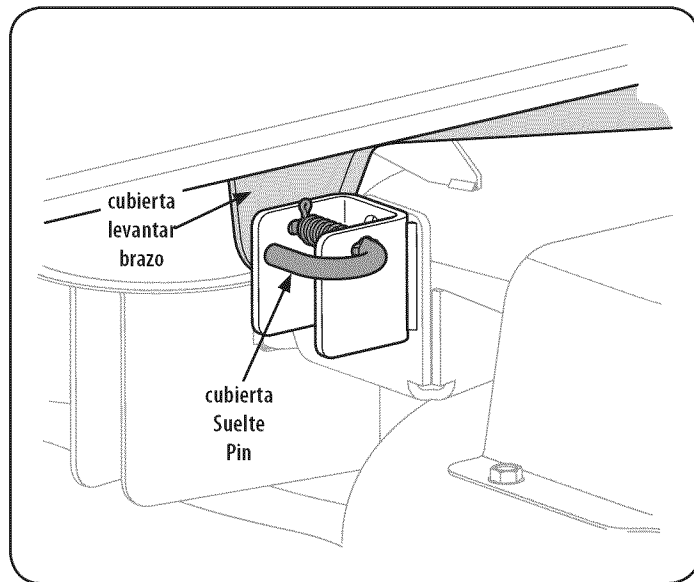


Figura 35

8. Coloque la manija de elevación de la plataforma en la posición más alta corte y deslice la cubierta de debajo del tractor.

SERVICIO Y MANTENIMIENTO

Instalación de la plataforma

Para instalar la plataforma de corte, proceda de la siguiente manera:

1. Coloque la manija de elevación de la plataforma en la posición más alta corte. Ver Figura 31 .
2. Deslice la cubierta bajo el tractor en el lado derecho del tractor alineando los soportes de suspensión de la cubierta y los brazos de elevación de la plataforma .
3. Una vez que la cubierta está en el tractor , mueva la elevación de la plataforma para manejar la posición más baja de corte.

NOTA : Para alinear los soportes de manera adecuada , puede ser necesario colocar un pequeño bloque de madera debajo de cada lado de la cubierta .

4. Tire de los pasadores de liberación de la cubierta hacia el exterior y la maniobra de la cubierta según sea necesario para alinear los orificios de los brazos de elevación de la cubierta con los bolos. Consulte la Figura 35 .
5. Cuando alineado , empuje cada pasador totalmente hacia adentro a través de los brazos de elevación para fijar los brazos en las ranuras del soporte de suspensión trasera .
6. Vuelva a instalar la barra de elevación de la plataforma delantera y fíjela con el pasador . Consulte la Figura 34 .
7. Asegúrese de que la correa en ' V ' se encuentra en las poleas del husillo en la cubierta , a continuación, la correa hacia atrás por debajo del bastidor del tractor , por encima del tubo de transmisión (s) , a la polea toma de fuerza en la parte inferior del motor .
8. Usando la manija de elevación de la plataforma , levante la plataforma a la posición que le ofrece mayor recorrido horizontal de la correa entre las poleas locas de la plataforma y la polea toma de fuerza en la parte inferior del motor.
9. Asegúrese de que la correa está en las poleas del husillo de la cubierta , y que la parte trasera de la cinta está en contra de las dos poleas locas y móviles .
10. Sentado detrás del tractor, mirando hacia adelante, asegúrese de que el cinturón no esté torcido y luego llegar debajo del tractor para agarrar la correa y tire de él hacia la polea del PTO .

ADVERTENCIA

Tenga cuidado de no pellizcarse los dedos cuando saca la correa de la polea de la PTO.

11. Tire del lado derecho de la correa hacia atrás y colocar el lado estrecho V de la correa en la polea del PTO. Ver Figura 33.
12. Mientras sostiene la correa y la polea juntas, rote la polea hacia la izquierda (Ver Figura 33). Continúe oprimiendo y girando la polea y la correa hasta que la correa esté totalmente enrollada en la polea del PTO.

NOTA: Antes de utilizar el tractor a verificar el cinturón de enrutamiento para asegurarse de que la cinta se ha encaminado correctamente.

Sustitución de la correa de transmisión de la plataforma

1. Quite la cubierta de debajo del tractor, (consulte Extracción de la plataforma).
2. Quite los tornillos de la arandela hexagonales cubiertas de la correa de la cubierta. Ver Figura 36.

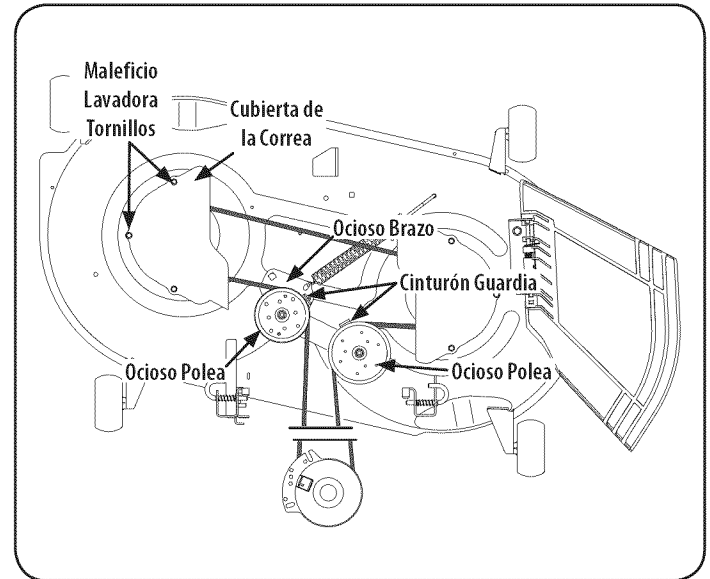


Figura 36

3. Afloje, pero no quite, la polea loca móvil y protección de la correa por solo aflojar la tuerca de seguridad con brida de fijación de la polea loca para el brazo tensor. Ver Figura 37.

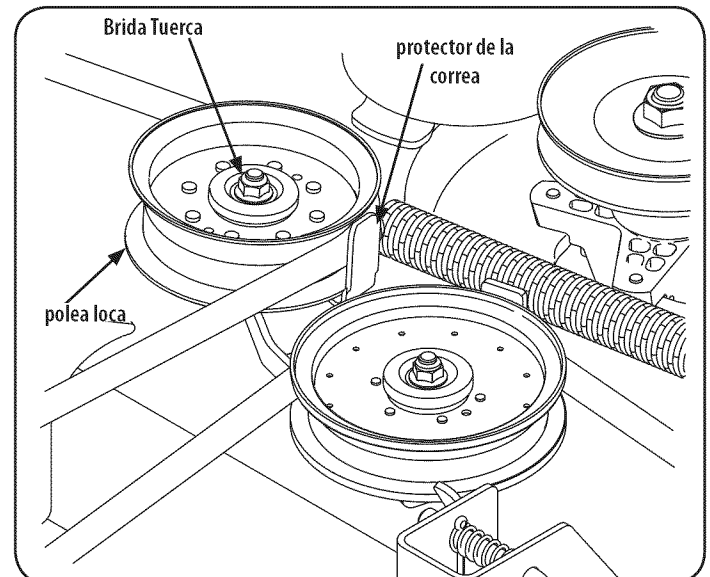


Figura 37

NOTA: Tome nota de la posición de la protección de la correa para asegurarse de que están correctamente reinstalados.

4. Retire la correa de las poleas del husillo.
5. Instalar la nueva correa alrededor de las poleas del eje como se muestra y vuelva a instalar la cinta cubre. Ver Figura 36.

SERVICIO Y MANTENIMIENTO

- Coloque la correa alrededor de las poleas locas que quitó en el paso 3 con el lado "V" hacia adentro. Una vez en su lugar, vuelva a instalar todo el hardware y apriete la tuerca de seguridad con brida para fijar el conjunto. Ver Figura 37.
- Coloque la correa como se muestra en la Figura 37 y vuelva a instalar la cubierta (consulte Instalación de la plataforma).
- Quando vuelva a instalar las cuchillas, asegúrese de que estén instaladas de manera que las alas del viento están apuntando hacia arriba, hacia la parte superior de la cubierta.
- Utilice una llave tourque para apretar las tuercas de la cuchilla de 70 a 90 lbs.
- Vuelva a instalar la cubierta (consulte Instalación de la plataforma).

Cuchillas Del Cortacésped Cuidado

⚠ ADVERTENCIA

Antes de realizar cualquier tarea de mantenimiento, coloque el interruptor de la TDF en la posición "OFF", acople el freno de estacionamiento, gire la llave de encendido a la posición "OFF" y retire la llave del interruptor. Proteja sus manos utilizando guantes reforzados cuando maneje las cuchillas. Cuando el servicio de la plataforma de corte, tenga cuidado de no cortarse con las cuchillas afiladas

Las cuchillas de corte deben estar siempre afiladas en todo momento. Afilan los bordes de corte de las cuchillas de forma pareja de manera que las cuchillas queden balanceadas y se mantenga el mismo ángulo de nitidez.

Si el borde de corte de una cuchilla ya ha sido afilado muchas veces, o si existe una separación de metal está presente, se recomienda que instale cuchillas nuevas. Nuevas hojas se pueden obtener a través de piezas y reparaciones Sears o llamando al 1-888-331-4569.

Las cuchillas se pueden extraer las siguientes.

- Quite la cubierta de debajo del tractor cortacésped, (consulte Extracción de la plataforma) y luego voltee con delicadeza la plataforma para dejar al descubierto su parte inferior.
- Use una "llave de 15/16 para sostener la tuerca hexagonal en la parte superior del conjunto del husillo cuando afloje la tuerca hexagonal que fija la cuchilla. Un bloque de madera puede ser colocado entre el alojamiento de la plataforma y el filo de la cuchilla para ayudar a aflojar la tuerca hexagonal que fija la cuchilla. Ver Figura 38.

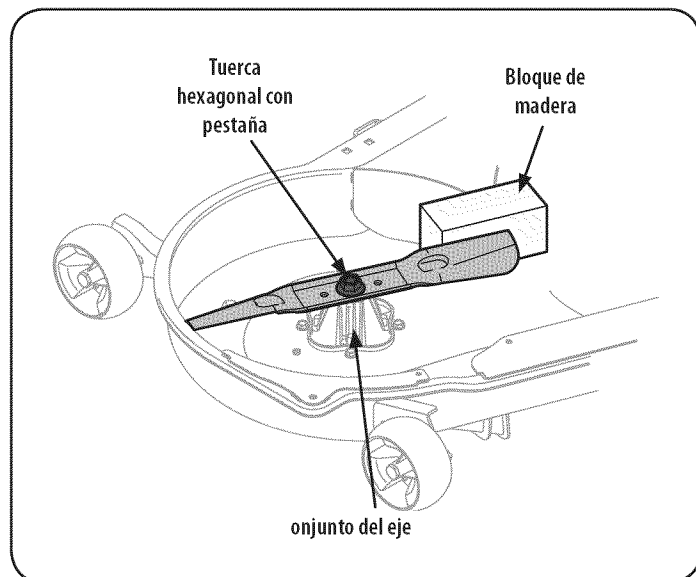


Figura 38

Transmisión Correa de transmisión

Varios componentes deben ser removidos y las herramientas especiales que se utilizan con el fin de cambiar la correa de transmisión del cortacésped. Consulte el centro de servicio Sears o para programar el servicio, sólo tiene que ponerse en contacto con Sears al 1-888-331-4569.

Tractor progresivo

Creeping es el ligero avance o retroceso de la segadora cuando el acelerador está encendido y las palancas de control de velocidad están en la posición neutral. Si su cortadora se arrastra, consulte a un distribuidor autorizado.

ALMACENAMIENTO FUERA DE TEMPORADA

ADVERTENCIA

Nunca almacene el tractor cortacésped con combustible en el tanque en un espacio cerrado o en áreas poco ventiladas donde los gases del combustible puedan llegar a una llama expuesta, una chispa o un piloto como el que tienen algunos hornos, calentadores de agua, secadores de ropa o algún artefacto a gas.

Almacenamiento del tractor cortacésped

Si el tractor cortacésped no va a funcionar por un período prolongado (desde treinta días hasta aproximadamente seis meses), se lo debe preparar para el almacenamiento. Guarde el tractor cortacésped en un lugar seco y protegido. Si lo guarda afuera, cúbralo (incluidos los neumáticos) para protegerlo de los fenómenos climáticos. Cada vez que se prepara el tractor cortacésped para dejarlo fuera de uso se deben realizar los procedimientos descriptos más abajo.

1. Cambie el aceite y filtro de motor según las instrucciones suministradas en la sección Servicio y mantenimiento de este manual.

ADVERTENCIA

Nunca guarde el tractor cortacésped con combustible en el depósito en un lugar cerrado o con escasa ventilación, donde los gases del combustible pueden generar fuego, chispas o encender una luz piloto como la de hornos, calentadores de agua, secadores de ropa, etc.

2. Si guarda el tractor cortacésped por 30 días o más:
 - a. Para evitar que se formen depósitos de goma dentro del carburador del motor y posibles desperfectos en el motor, el sistema de combustible debe ser vaciado completamente, o se debe tratar la gasolina con un estabilizador para evitar el deterioro.

ADVERTENCIA

El combustible que queda en el depósito se deteriora y causa graves problemas de arranque.

- b. Uso de un estabilizador de combustible:
 - Lea las instrucciones y recomendaciones del fabricante del producto.
 - Agregue a la gasolina limpia y fresca la cantidad correcta de estabilizador según la capacidad (aproximadamente 3 galones) del sistema de combustible.
 - Llene el depósito de combustible con combustible tratado y haga funcionar el motor 2-3 minutos para estabilizar el combustible dentro del carburador.
 - c. Vaciado del sistema de combustible:
 - Antes de guardar el tractor cortacésped, observe el consumo de combustible a los efectos de hacer funcionar el tractor hasta que el depósito esté vacío.
 - Arranque el motor y déjelo funcionar hasta que se agote el combustible. Esto evitará la formación de depósitos de goma y barniz.
3. Retire las bujías y vierta aproximadamente una onza de aceite en cada cilindro. Haga arrancar el motor una o dos vueltas para que el aceite se distribuya de forma pareja en las paredes del cilindro. Vuelva a colocar las bujías.
 4. Limpie perfectamente el motor y toda la unidad.

NOTA: No se recomienda el uso de una lavadora de presión ni de una manguera de jardín para limpiar el tractor cortacésped. Pueden producir daños a los componentes eléctricos, husillos, poleas, rodamientos o al motor. El uso de agua acortará la vida útil de la máquina y reducirá su capacidad de servicio.

5. Afile las cuchillas para que la máquina esté lista para el uso cuando necesite usarla.
6. Proteja las superficies metálicas. Repare las rayaduras con pintura de retoque adecuada en aerosol. Pincele cualquier superficie no pintada, incluidas las poleas y las cuchillas, con aceite preventivo de herrumbre. (Tenga cuidado para que el aceite no toque las correas de transmisión).
7. Limpie y cargue totalmente la batería, luego desconecte el cable negativo de la batería para evitar posibles descargas. Vuelva a cargar la batería periódicamente durante el almacenamiento.

NOTA: Retire la batería si está expuesta a períodos prolongados de temperaturas inferiores al congelamiento. Guarde en un lugar fresco y seco, donde las temperaturas estén por encima del punto de congelamiento.
8. Lubrique todos los puntos de lubricación.
9. Levante la máquina y guárdela sobre bloques para que el peso no se apoye sobre los neumáticos.

Retiro del tractor cortacésped del lugar de almacenamiento

1. Controle el nivel de aceite de motor.
2. Cargue totalmente la batería, baje el tractor cortacésped de los bloques e infle los neumáticos a la presión recomendada.
3. Retire las bujías y límpielas. Con el arrancador, arranque el motor para bombear el exceso de aceite y sacarlo de los orificios de las bujías. Vuelva a colocar las bujías y los conductores de encendido.
4. Si se vació el depósito de combustible antes de guardar el tractor, llénelo con gasolina limpia y nueva.
5. Compruebe el nivel de aceite del motor dentro del cigüeñal y el depósito de fluido hidráulico.
6. Arranque el motor y déjelo andar en ralentí unos cuantos minutos para asegurar que su funcionamiento sea adecuado.
7. Conduzca el tractor cortacésped sin carga para estar seguro de que todos los sistemas del tractor funcionan correctamente.

SOLUCIÓN DE PROBLEMAS

⚠️ ADVERTENCIA

Antes de realizar cualquier tipo de mantenimiento o servicio, desenganche todos los controles y detenga el motor. Espere a que se detengan completamente todas las piezas móviles. Desconecte el cable de la bujía y póngalo haciendo masa contra el motor para evitar que se encienda accidentalmente. Utilice siempre anteojos de seguridad durante el funcionamiento o mientras ajusta o repara este equipo.

En esta sección se analizan problemas menores de servicio. Para ubicar el Centro de Servicio Sears más cercano o para programar un servicio, simplemente comuníquese con Sears al teléfono 1-888-331-4569.

Problema	Causa	Solución
El motor no arranca	<ol style="list-style-type: none"> 1. Perilla de toma de fuerza (PTO)/enganche de cuchilla activada. 2. No está colocado el freno de mano. 3. Se ha desconectado el cable de la bujía. 4. La palanca de control del acelerador no está en la posición de arranque correcta. 5. El tanque de combustible está vacío o el combustible se ha echado a perder. 6. La línea de combustible está bloqueada. 7. La bujía no funciona correctamente. 8. Motor ahogado. 9. Fusible(s) quemado(s). 	<ol style="list-style-type: none"> 1. Coloque la perilla en la posición de desconexión (OFF). 2. Ponga el freno de mano. 3. Conecte el cable a la bujía. 4. Mueva la palanca del regulador a la posición FAST (velocidad rápida). 5. Llene el depósito con gasolina limpia y nueva (que tenga menos de 30 días). 6. Vuelva a colocar la línea de combustible. Comuníquese con Sears u otro distribuidor de servicio calificado. Reemplace el filtro de combustible. Consulte el manual del operador del motor. 7. Limpie, ajuste la separación, o cambie la bujía. 8. Arranque el motor con el acelerador en posición FAST (velocidad rápida). 9. Reemplace el fusible.
El motor funciona de manera errática	<ol style="list-style-type: none"> 1. El tractor cortacésped está funcionando con el Estrangulador activado. 2. El cable de la bujía está flojo. 3. La línea del combustible está tapada o el combustible se ha echado a perder. 4. La ventilación de la tapa del combustible está obstruida. 5. Hay agua o suciedad en el sistema de combustible. 6. El depurador de aire está sucio. 	<ol style="list-style-type: none"> 1. Compruebe que el estrangulador eléctrico funcione. Comuníquese con Sears u otro distribuidor de servicio calificado. 2. Conecte y ajuste el cable de la bujía. 3. Vuelva a colocar la línea de combustible. Comuníquese con Sears u otro distribuidor de servicio calificado. Llene el tanque con gasolina limpia y nueva y reemplace el filtro de combustible. Consulte el manual del operador del motor. 4. Destape la ventilación o reemplace la tapa si está dañada. 5. Vacíe el tanque de combustible. Recargue el tanque con gasolina limpia y nueva. Consulte el manual del operador del motor. 6. Limpie o reemplace el elemento de papel del depurador de aire o limpie el prefiltro de espuma. Consulte el manual del operador del motor.

NEED MORE HELP?

You'll find the answer and more on managemyhome.com – for free!

- Find this and all your other product manuals online.
- Get answers from our team of home experts.
- Get a personalized maintenance plan for your home.
- Find information and tools to help with home projects.



brought to you by Sears

SOLUCIÓN DE PROBLEMAS

Problema	Causa	Solución
El motor recalienta	<ol style="list-style-type: none"> 1. El nivel de aceite del motor está bajo. 2. Flujo de aire restringido 	<ol style="list-style-type: none"> 1. Llene el motor con cantidad y tipo de aceite adecuados. 2. Elimine los recortes de césped y los desechos de alrededor de las aletas de enfriamiento del motor y de la carcasa del soplador.
El motor vacila a altas revoluciones	<ol style="list-style-type: none"> 1. Poca separación de los electrodos de la bujía 	<ol style="list-style-type: none"> 1. Extraiga la bujía y regule la separación. Consulte el manual del operador del motor.
El motor funciona mal en marcha lenta	<ol style="list-style-type: none"> 1. La bujía de encendido está sucia. 2. El depurador de aire está sucio. 	<ol style="list-style-type: none"> 1. Extraiga la bujía y regule la separación. Consulte el manual del operador del motor. 2. Limpie o reemplace el elemento del depurador de aire y/o limpie el prefiltro. Consulte el manual del operador del motor.
Vibración excesiva	<ol style="list-style-type: none"> 1. Cuchillas de corte flojas o descentradas. 2. Cuchilla dañada, desafilada o doblada. 	<ol style="list-style-type: none"> 1. Apriete la cuchilla y el husillo. Equilibre la cuchilla. 2. Reemplace la cuchilla.
Corte desigual	<ol style="list-style-type: none"> 1. La plataforma no está correctamente nivelada. 2. Cuchilla desafilada. 3. Presión de neumáticos desigual. 	<ol style="list-style-type: none"> 1. Haga un ajuste de la plataforma de lado a lado. 2. Afile o cambie la cuchilla. 3. Verifique la presión de los cuatro neumáticos.

NEED MORE HELP?

You'll find the answer and more on managemylife.com – for free!

- Find this and all your other product manuals online.
- Get answers from our team of home experts.
- Get a personalized maintenance plan for your home.
- Find information and tools to help with home projects.



brought to you by Sears

NOTAS

NOTAS

NOTAS

Sears Brands Management Corporation, el Consejo de Recursos Ambientales de California (CARB) y la Agencia de Protección Ambiental de los Estados Unidos (EPA) Declaración de garantía del sistema de control de emisiones (derechos y obligaciones de la garantía de defectos del propietario)

LA COBERTURA DE LA GARANTÍA DE CONTROL DE EMISIONES ES APLICABLE A LOS MOTORES CERTIFICADOS COMPRADOS EN CALIFORNIA EN 1995 Y POSTERIORMENTE QUE SE UTILIZAN EN CALIFORNIA, Y PARA LOS MODELOS CERTIFICADOS DEL AÑO 1997 Y POSTERIORES, QUE SE COMPREN

Y UTILICEN EN CUALQUIER PARTE DE LOS ESTADOS UNIDOS (Y A PARTIR DEL 1 DE ENERO DE 2001 EN CANADÁ).

Declaración de garantía sobre defectos en el control de emisiones para California y los Estados Unidos

El Consejo de Recursos Ambientales de California (CARB), la EPA (Agencia de Protección Ambiental de los EE.UU.) y Sears tienen el gusto de explicar la garantía del sistema de control de emisiones para motores del año 2000 y para el futuro con relación a motores pequeños todo terreno (SORE). En California, los nuevos motores pequeños todo terreno deben estar diseñados, contruidos y equipados para cumplir con las rigurosas normas anti-smog del estado. En el resto de los Estados Unidos, los motores nuevos todo terreno de encendido por chispa certificados para el año 1997 deben cumplir estándares similares establecidos por la EPA. Sears debe garantizar

el sistema de control de emisiones de su motor para los períodos de tiempo enumerados a continuación, siempre que no haya abuso, negligencia o mantenimiento indebido de su motor todo terreno pequeño. Su sistema de control de emisiones puede incluir piezas tales como el carburador, el filtro de aire, el sistema de encendido, el silenciador y el convertor catalítico. También puede incluir conectores y otras unidades relacionadas con las emisiones. Donde exista una condición cubierta por la garantía, Sears reparará su pequeño motor todo terreno sin costo alguno incluyendo diagnóstico, piezas y mano de obra

Cobertura de la garantía Sears para defectos en el control de emisiones

Los motores todo terreno pequeños están garantizados en lo relativo al control de emisiones para defectos en piezas durante un período de dos años, sujeto a las

disposiciones que se indiquen a continuación. Si una parte de su motor cubierta por la garantía es defectuosa, Sears reparará o sustituirá dicha parte.

Responsabilidades del propietario en relación con la garantía

Como propietario del motor todo terreno pequeño, Ud. es responsable de la realización del mantenimiento requerido que se incluye en las instrucciones de operación y mantenimiento. Sears recomienda que se conserven todos los recibos relativos al mantenimiento de su motor todo terreno pequeño, pero no puede denegar la garantía simplemente por la falta de los mismos, o por su incumplimiento del mantenimiento programado. Como propietario del motor pequeño todoterreno debe saber que, sin embargo, Sears le puede negar la cobertura de la garantía si su motor todoterreno pequeño o una pieza del mismo han fallado debido a abuso, negligencia, mantenimiento indebido o a modificaciones no aprobadas. Ud. es responsable de presentar su

motor todoterreno pequeño a un distribuidor de servicios Sears autorizado tan pronto como aparezca un problema. Las reparaciones de la garantía sin conflicto deben completarse en un plazo de tiempo razonable, no superior a 30 días. Si tiene alguna pregunta respecto a sus derechos y responsabilidades referentes a la garantía, debe contactar con un representante de servicios Sears al 1--800--469--4663. La garantía de emisiones es una garantía por defectos. Los defectos se juzgan de acuerdo con el funcionamiento normal de un motor. La garantía no está relacionada con una prueba de emisiones en uso.

Disposiciones de la garantía Sears para defectos en el control de emisiones

Las siguientes son disposiciones específicas relacionadas con la cobertura de la garantía para defectos en el control de emisiones. Es un añadido a la garantía de motor Sears para motores no regulados que se encuentra en las instrucciones de funcionamiento y mantenimiento.

1. Piezas con garantía

La cobertura de esta garantía se extiende únicamente a las piezas que aparecen a continuación (las partes de los sistemas de control de emisiones), siempre que dichas piezas estuvieran ya en el motor en el momento de su compra.

- a. Sistema de medición de combustible
 - Sistema de enriquecimiento para arranque en frío
 - Carburador y partes internas
 - Bomba de combustible
- b. Sistema de inducción de aire
 - Filtro de aire
 - Colector de admisión
- c. Sistema de encendido
 - Bujía(s) de encendido
 - Sistema de encendido magneto
- d. Sistema del catalizador
 - Convertidor catalítico
 - Colector de escape
 - Sistema de inyección de aire o válvula de impulsos
- e. Elementos variados usados en los sistemas anteriores
 - Válvulas de vacío, sensibles a temperatura, posición y tiempo e interruptores
 - Conectores y montajes

2. Alcance de la cobertura

Sears garantiza al poseedor inicial y a los compradores subsiguientes que las piezas con garantía no tendrán defectos en materiales ni mano de obra que provoquen la falla de las mismas durante un período de dos años a partir de la fecha en que el motor se entrega a un comprador particular.

3. Sin cargo

La reparación o reemplazo de cualquier parte con garantía se realizará sin cargo alguno para el poseedor, incluyendo tareas de diagnóstico que permitan determinar si una parte con garantía es defectuosa, siempre que dicho diagnóstico se realice en un distribuidor de servicios Sears autorizado. Para el servicio de la garantía de emisiones, contacte al distribuidor de servicios Sears autorizado más cercano incluido en las "Páginas amarillas" en las categorías "Motores, gasolina", "Motores de gasolina", "Podadoras de césped", o similares.

4. Reclamaciones y exclusiones a la cobertura

Las reclamaciones de la garantía deben enviarse de acuerdo con las disposiciones de la política de garantía para motores Sears. La cobertura de la garantía excluirá defectos en piezas con garantía que no sean partes originales Sears, o abuso, negligencia o mantenimiento incorrecto, tal y como se establece en la política de garantía para motores Sears. Sears no es responsable de las fallas en piezas con garantía provocadas por el uso de partes añadidas, que no sean originales o que se hayan modificado.

5. Mantenimiento

Cualquier parte con garantía que no esté programada para ser reemplazada como mantenimiento requerido, o que sólo deba inspeccionarse regularmente al efecto de "inspeccione o reemplace según sea necesario", estará garantizada contra defectos durante el período de la garantía. Todas las piezas garantizadas que estén programadas para su reemplazo para cumplir con los requisitos de mantenimiento estarán garantizadas sólo por el período anterior al primer reemplazo programado para dicha pieza. Cualquier pieza de reemplazo que sea equivalente en funcionamiento y durabilidad puede usarse para realizar mantenimiento o reparaciones. El propietario es responsable de realizar todo el mantenimiento requerido, tal y como se define en las instrucciones de funcionamiento y mantenimiento Sears

6. Cobertura indirecta

Por la presente, la cobertura se extiende a la falla de cualquier componente de motor provocada por la falla de una pieza con garantía que esté todavía en período de garantía.

En los Estados Unidos y Canadá hay una línea de atención de 24 horas, 1-800-469-4663, que cuenta con un menú con mensajes pre-grabados que contienen información para el mantenimiento de motores.

DECLARACIÓN FEDERAL y/o DE CALIFORNIA SOBRE GARANTÍAS EN EL CONTROL DE EMISIONES SUS DERECHOS Y OBLIGACIONES EN CUANTO A LA GARANTÍA

MTD Consumer Group Inc, la Agencia de Protección Medioambiental de los Estados Unidos (EPA), y para aquellos productos certificados para su venta en el estado de California, el Departamento de los Recursos del Aire de California (CARB) se complacen en explicar la garantía que evaporativo sistema de control de emisiones (ECS) de su equipo (equipos de exteriores) de encendido por chispa para todo terreno, pequeño, de exteriores del año 2014-2015. En California, los nuevos motores de equipos de exteriores deben estar diseñados, construidos y equipados para cumplir con las estrictas normas antipolución del Estado (en otros estados, equipos de exteriores deben ser estar diseñados, construidos y equipados para cumplir con las regulaciones de motores de encendido por chispa para todo terreno pequeños de la Agencia de Protección Medioambiental de los Estados Unidos, (EPA). MTD Consumer Group Inc. debe garantizar el sistema de control de emisiones (ECS) de su motor de equipos de exteriores por el período de tiempo indicado más abajo, siempre y cuando no exista uso incorrecto, negligencia o mantenimiento inadecuado de equipos de exteriores.

Su ECS puede incluir piezas tales como el los depósitos de combustible, las líneas de combustible, los tapones de combustible, las válvulas, contenedores, filtros, mangueras de vapor, abrazaderas, conectores y otros componentes afines relacionados con las emisiones.

Donde exista una condición cubierta por la garantía, MTD Consumer Group Inc. reparará de equipos de exteriores sin costo alguno incluyendo el diagnóstico, las piezas y la mano de obra.

COBERTURA DE LA GARANTÍA DEL FABRICANTE:

Este sistema de control de emisiones se garantiza por el término de dos años. Si alguna pieza relacionada con las emisiones de su motor de equipos de exteriores es defectuosa, MTD CONSUMER GROUP INC. reparará o sustituirá dicha pieza.

RESPONSABILIDADES DEL PROPIETARIO SEGÚN LA GARANTÍA:

En su carácter de propietario de equipos de exteriores, usted es responsable del mantenimiento requerido que se especifica en el manual del propietario. MTD Consumer Group Inc le recomienda que conserve todos los recibos que cubren el mantenimiento de equipos de exteriores, obstante lo cual MTD Consumer Group Inc no podrá denegar el cumplimiento de la garantía únicamente por la falta de los recibos.

Como propietario de equipos de exteriores, usted debe saber que MTD Consumer Group Inc. puede denegar la cobertura de la garantía si su equipos de exteriores o una pieza del mismo fallan debido a uso incorrecto, negligencia, mantenimiento indebido o a modificaciones no aprobadas.

Usted es responsable de presentar su equipos de exteriores al centro de distribución o servicio técnico de MTD Consumer Group Inc. tan pronto como aparezca el problema. Las reparaciones cubiertas por la garantía se deben llevar a cabo en un lapso razonable que no exceda de 30 días. Si tiene alguna pregunta respecto de la cobertura de la garantía, póngase en contacto con el Departamento del Servicio Técnico de MTD Consumer Group Inc. al teléfono 1-800-800-7310 o por correo electrónico en <http://support.mtdproducts.com>.

COBERTURA DE LA GARANTÍA DE EMISIONES GENERALES:

MTD Consumer Group Inc garantiza al comprador final y a cada comprador subsiguiente que el equipos de exteriores: está diseñado, construido y equipado de modo de cumplir con todas las regulaciones aplicables y que se encuentra libre de defectos de materiales y de fabricación que pudieren causar la falla de una pieza garantizada idéntica, en todos los aspectos materiales a la pieza descrita en la solicitud de certificación de MTD Consumer Group Inc.

El período de garantía comienza en la fecha de entrega del equipos de exteriores al comprador final o en la fecha en que la máquina se pone en funcionamiento por primera vez. El período de garantía es de dos años.

Sujeto a ciertas condiciones y exclusiones que se indican a continuación, la garantía de las piezas relacionadas con las emisiones es la siguiente:

1. Cualquier pieza garantizada que no esté programada para ser reemplazada como parte del mantenimiento requerido en las instrucciones escritas suministradas se garantiza por el período de garantía arriba mencionado. Si la pieza falla durante el período de cobertura de la garantía, la misma será reparada o reemplazada por MTD Consumer Group Inc. de acuerdo con el párrafo (4) a continuación. Cualquier pieza reparada o reemplazada según la garantía se garantizará por el resto del período de garantía.
2. Cualquier pieza garantizada que esté programada solamente para inspección regular en las instrucciones escritas suministradas se garantiza por el período de garantía arriba mencionado. Cualquier pieza reparada o reemplazada según la garantía se garantizará por el resto del período.
3. Cualquier pieza garantizada que esté programada para reemplazo según el mantenimiento requerido de conformidad con las instrucciones escritas suministradas, se garantiza por el período de tiempo anterior a la primera fecha de reemplazo programada para esa pieza. Si la pieza falla antes del primer reemplazo programado, la misma será reparada o reemplazada por MTD Consumer Group Inc. de acuerdo con el párrafo (4) a continuación. Cualquier pieza reparada o reemplazada bajo garantía se garantizará por el resto del período anterior al primer reemplazo programado puntual para esa pieza.
4. La reparación o el reemplazo de cualquier pieza garantizada de conformidad con las disposiciones de la garantía que aquí se estipula se deben realizar en un centro de garantía sin costo alguno para el propietario.
5. No obstante las disposiciones que aquí se estipulan, los servicios o reparaciones bajo garantía se suministrarán en todos nuestros centros de distribución bajo franquicia de mantenimiento para los motores o equipos en cuestión.
6. El propietario de equipos de exteriores no deberá pagar el trabajo de diagnóstico directamente asociado con una pieza garantizada defectuosa en relación con las emisiones, siempre y cuando dicho trabajo de diagnóstico se realice en un centro cubierto por la garantía.
7. MTD Consumer Group Inc es responsable por daños causados a otros componentes de motores o equipos derivados de la falla bajo garantía de cualquier pieza garantizada.

8. Durante la totalidad del período de garantía del motor y equipo para todo terreno arriba mencionado, MTD Consumer Group Inc mantendrá un suministro de piezas bajo garantía suficiente para satisfacer la demanda esperada de tales piezas.
9. Cualquier pieza de reemplazo se podrá usar para el cumplimiento del mantenimiento o las reparaciones bajo garantía y se suministrarán sin cargo para el propietario. Dicho uso no reducirá las obligaciones de garantía de MTD Consumer Group Inc.
10. No se podrán usar piezas adicionales ni modificadas que no estén exentas de acuerdo con el Departamento de los Recursos del Aire (Air Resources Board). El uso de cualquier pieza adicional o modificada no exenta por el comprador final será causal de invalidez de los reclamos bajo garantía. MTD Consumer Group Inc no tendrá responsabilidad por la garantía de fallas de piezas garantizadas que fueren causadas por el uso de una pieza adicional no exenta o modificada.

PIEZAS GARANTIZADAS:

La reparación o el reemplazo de cualquier pieza garantizada que de otro modo pudiese estar cubierta por la garantía podrá ser excluida de tal cobertura de garantía si MTD Consumer Group Inc demuestra que el equipo de exteriores es objeto de uso incorrecto, negligencia o mantenimiento inadecuado, y que tal uso incorrecto, negligencia o mantenimiento inadecuado fue causa directa de la necesidad de reparación o reemplazo de dicha pieza. No obstante lo antedicho, cualquier ajuste de un componente con un dispositivo de limitación de ajuste instalado en fábrica y que funcione adecuadamente, podrá ser cubierto por la garantía. Además, la cobertura bajo esta garantía se extiende solo a piezas que estuvieron presentes en y equipo todo terreno adquiridos.

Están cubiertas las siguientes piezas con garantía para emisiones (de corresponder):

1. Sistema de medición de combustible
 - Bomba de combustible
 - Depósito de combustible
2. Control evaporativo
 - Manguera de combustible
 - Abrazaderas de la manguera de combustible
 - Tapón del combustible atado por correa
 - Caja de carbono
 - Líneas de vapor

REPAIR PROTECTION AGREEMENT

Felicitaciones por haber realizado una adquisición inteligente. El producto Craftsman® que ha adquirido está diseñado y fabricado para brindar muchos años de funcionamiento confiable. Pero como todos los productos a veces puede requerir de reparaciones. Es en ese momento cuando el disponer de un Acuerdo de protección para reparaciones le puede ahorrar dinero y problemas.

A continuación se detallan los puntos incluidos en el Acuerdo:

- ☑ **Servicio experto** prestado por nuestros 10,000 especialistas en reparaciones profesionales
- ☑ **Servicio ilimitado sin cargo** para las piezas y la mano de obra en todas las reparaciones cubiertas
- ☑ **Reemplazo del producto** hasta 1500 dólares si no es posible reparar el producto cubierto
- ☑ **Descuento de 25%** del precio normal del servicio y de las piezas relacionadas con el mismo que no estén cubiertas por el acuerdo; además, 25% del precio normal de la verificación de mantenimiento preventivo
- ☑ **Ayuda rápida por teléfono** - lo llamamos Resolución Rápida – el apoyo telefónico de un Chamusca al representante. Piense en nosotros como el manual “de un dueño hablador.”

Una vez adquirido el Acuerdo, puede programar el servicio con tan sólo realizar una llamada telefónica. Puede llamar en cualquier momento del día o de la noche o programar un servicio en línea.

El Acuerdo de Protección de Reparación es una compra sin riesgo. Si usted anula por alguna razón durante el período de garantía de producto, proporcionaremos un reembolso lleno. O, un reembolso prorrateado en cualquier momento después del período de garantía de producto expira. ¡Adquiera hoy su acuerdo de protección para reparaciones!

Se aplican determinadas limitaciones y exclusiones. Para obtener información adicional y precios en los Estados Unidos llame al 1-800-827-6655.

El *Coverage en Canadá varía en algunos artículos. Para detalles llenos la llamada Chamusca Canadá en 1-800-361-6665.

Servicio de instalación de Sears

Si desea solicitar la instalación profesional de Sears de aparatos domésticos, dispositivos para abrir portones, calentadores de agua y otros artículos domésticos importantes, en los Estados Unidos o Canadá llame al **1-800-4-MY-HOME®**.

CRAFTSMAN®

Product questions or problems?

1-888-331-4569

Customer Care Hot Line

**Get answers to questions, troubleshoot problems,
order parts, or schedule repair service.**

Para respuestas a preguntas o problemas, y ordenar
piezas o pedir servicio para la reparación de su equipo.

To help us help you, register your product at www.craftsman.com/registration

Para poderte ayudar mejor, registra tu producto en www.craftsman.com/registration

Join the Craftsman Club today!

CRAFTSMAN® CLUB

www.craftsman.com/signup

**Receive exclusive member benefits including special pricing and offers,
project sharing, expert advice, and SHOP YOUR WAY REWARDS!**

Como miembro exclusivo, recibe diversos beneficios como ofertas, precios especiales, proyectos nuevos, consejos de expertos y nuestro programa de puntos SHOP YOUR WAY REWARDS!