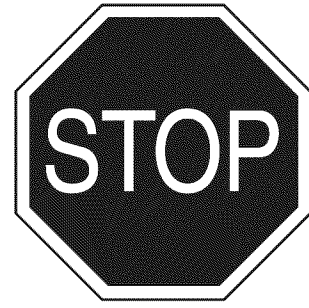


# Operator's Manual

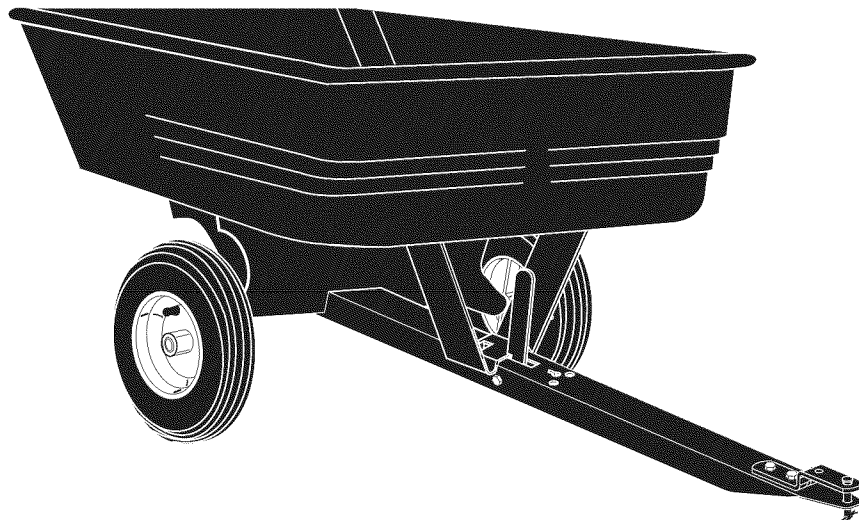
# CRAFTSMAN®



## 10 CU. FT. POLY CART

DO NOT RETURN TO STORE  
For Missing Parts or Assembly  
Questions Call 1-866-576-8388

Model No. 486.24489



### CAUTION:

Before using this product, read this manual and follow all Safety Rules and Operating Instructions.

- Safety
- Assembly
- Operation
- Maintenance
- Parts

Sears Brands Management Corporation, Hoffman Estates, IL 60179 U.S.A.  
[www.sears.com/craftsman](http://www.sears.com/craftsman)

# TABLE OF CONTENTS

WARRANTY & SAFETY.....	2	MAINTENANCE .....	6
FULL SIZE HARDWARE CHART .....	3	SLOPE GUIDE .....	7
CARTON CONTENTS .....	3	REPAIR PARTS ILLUSTRATION.....	8
ASSEMBLY .....	4	REPAIR PARTS LIST.....	9
OPERATION.....	6	PARTS ORDERING/SERVICE .....	BACK PAGE

## WARRANTY

### CRAFTSMAN LIMITED WARRANTY

FOR TWO YEARS from the date of sale this product is warranted against defects in material or workmanship. WITH PROOF OF SALE a defective product will be replaced free of charge.

For warranty coverage details to obtain free replacement, visit the web page: [www.craftsman.com/warranty](http://www.craftsman.com/warranty)

This warranty does not cover expendable items that can wear out from normal use or deterioration within the warranty period, including but not limited to tires, belts, exterior finishes or product labels.

This warranty does not apply to a product that is damaged or altered through transportation, misuse, abuse, corrosion, accident, neglect, modification or mishandling.

This warranty is void if this product is ever used while providing commercial services or if rented to another person.

This warranty gives you specific legal rights, and you may also have other rights which vary from state to state.

**Sears Brands Management Corporation, Hoffman Estates, IL 60179**

DO NOT RETURN TO STORE for Missing Parts or Assembly Questions call 1-866-576-8388 Attachment Hotline

The model number and serial numbers will be found on a decal attached to the 10 Cu. Ft. Poly Cart.	MODEL NUMBER: 486.24489
You should record both the serial number and the date of purchase and keep in a safe place for future reference.	SERIAL NUMBER: _____
	DATE OF PURCHASE: _____

## SAFETY

Remember, any power equipment can cause injury if operated improperly or if the user does not understand how to operate the equipment. Exercise caution at all times when using power equipment.



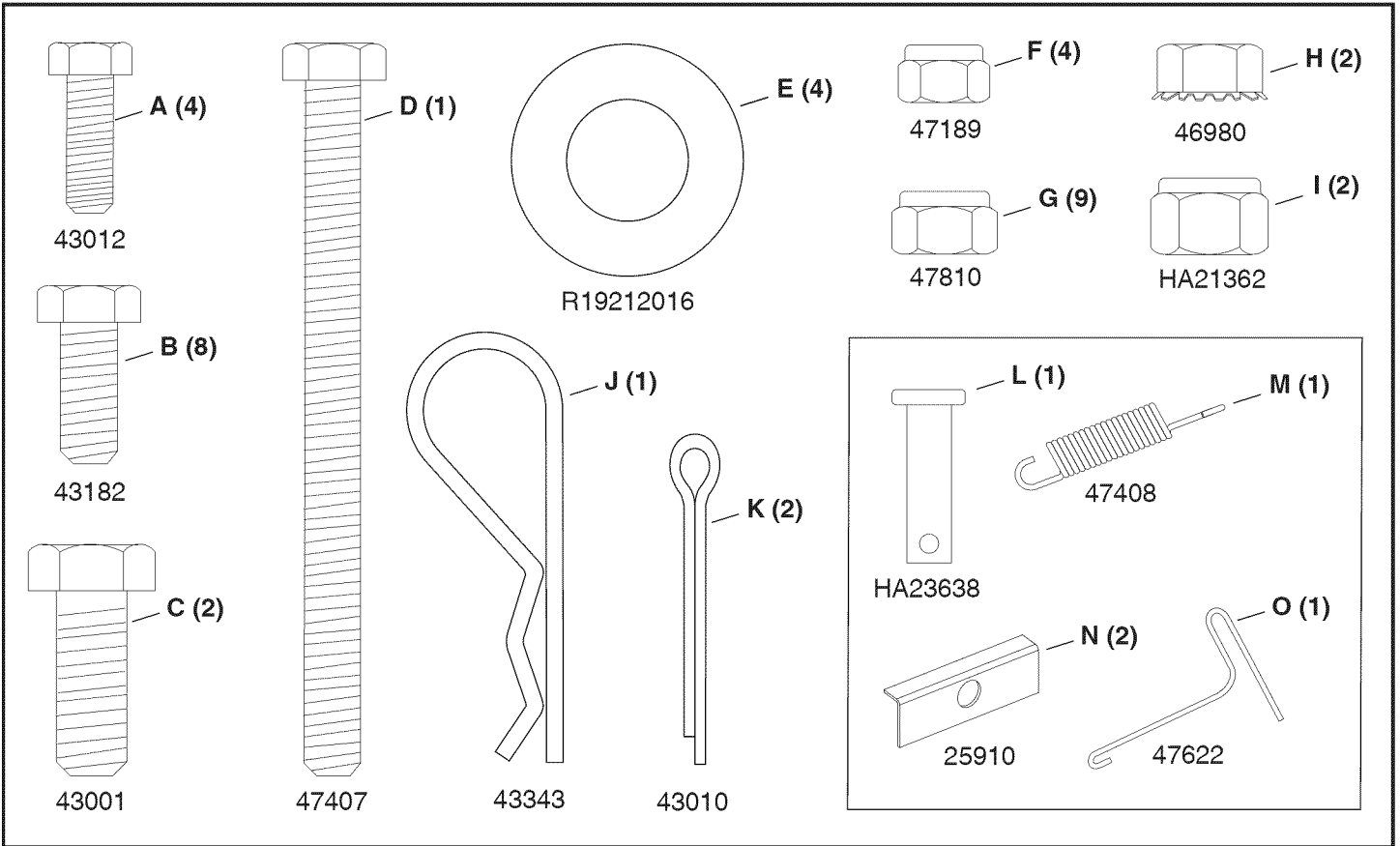
**Look for this symbol to point out important safety precautions. It means – attention! Become alert! Your safety is involved.**



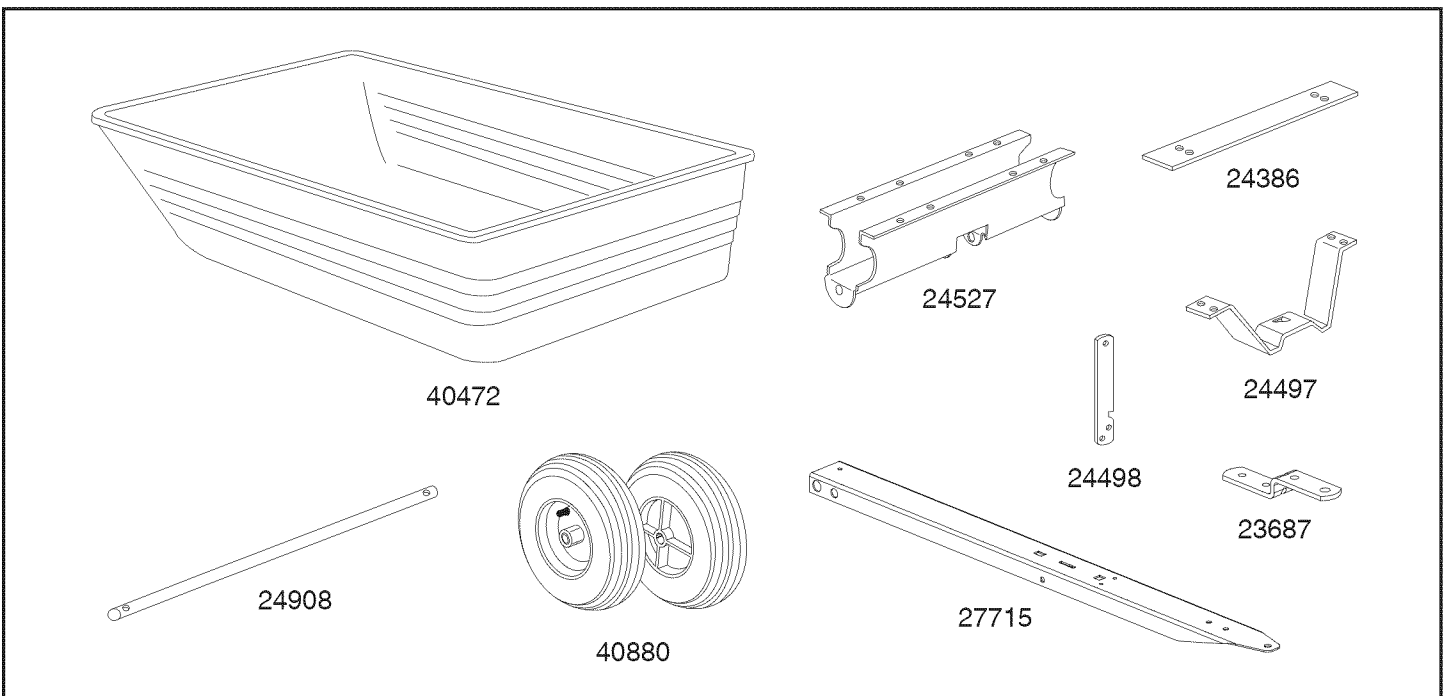
**CAUTION:** Vehicle braking and stability may be affected with the addition of an accessory or an attachment. Be aware of changing conditions on slopes.

1. Exercise caution at all times when using power equipment.
2. Read this owners manual before attempting to assemble or operate the cart.
3. Read the vehicle owners manual and know how to operate your tractor, before using the cart attachment.
4. Do not at any time carry passengers in this cart. It has not been designed to carry passengers.
5. Never allow children to operate the tractor or the cart attachment.
6. Do not allow adults to operate the tractor or cart attachment without proper instructions.
7. Always begin with the transmission in first (low) and gradually increase speed as conditions permit.
8. Tow the cart at reduced speed over rough terrain and hillsides or near creeks and ditches to prevent tipping over and loss of control. Do not drive too close to a creek or ditch.
9. Vehicle braking and stability may be affected with the attachment of this cart. Do not fill cart to maximum weight capacity without checking the capability of the towing vehicle to safely pull and stop with the cart attached.
10. Before operating vehicle on any grade (hill) refer to the safety rules in the vehicle owner's manual concerning safe operation on slopes. Refer also to the slope guide on page 7 of this manual. Stay off steep slopes!
11. Do not tow this cart on highways or on public thoroughfares.
12. Maximum towing speed is 10 m.p.h.
13. Follow maintenance and lubrication instructions as outlined in this manual.

# FULL SIZE HARDWARE CHART



# CARTON CONTENTS



# ASSEMBLY

## TOOLS REQUIRED FOR ASSEMBLY

- (1) Screwdriver
- (1) Pliers
- (2) 7/16" Wrenches
- (2) 1/2" Wrench
- (2) 9/16" Wrenches

### STEP 1: (SEE FIGURE 1)

- Verify that all parts and all fasteners on page 2 are included in the carton and parts bag. Refer to page 2 to identify fasteners used in the following instructions.
- Place the latch lock lever through the slot in the tongue. Assemble the hex bolt (D) through the tongue, the lever, and two hex nuts (H) placed on each side of the lever. Assemble the hex nut (G) onto the end of the hex bolt (D) and **tighten** so that the hex bolt (D) can still rotate freely. **Tighten** the two hex nuts (H) against each side of the lever so that the lever is centered in the slot.

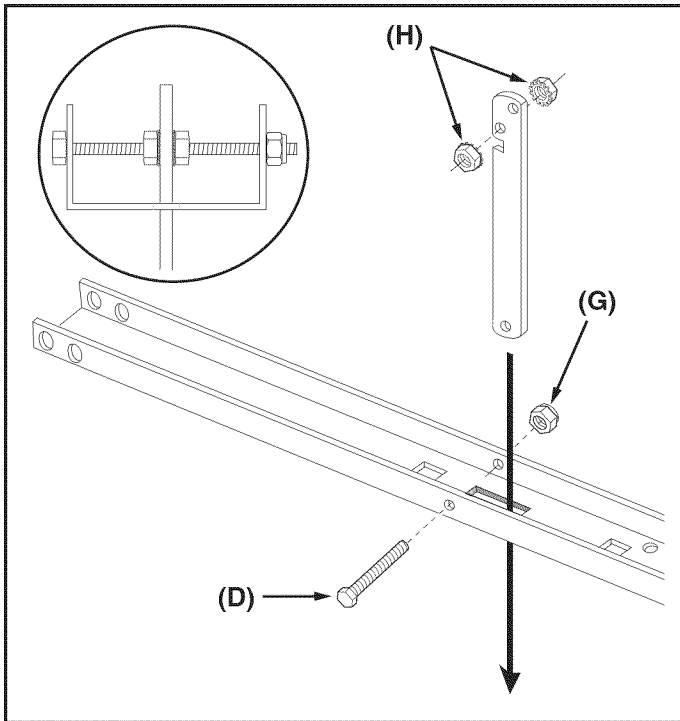


FIGURE 1

### STEP 2: (SEE FIGURE 2)

- Hook the **short** end of the spring (M) into the hole in the latch lock lever. Use the spring puller tool (O) to hook the **long** end of the spring into the square hole in the tongue. The spring puller tool can be stored when finished.

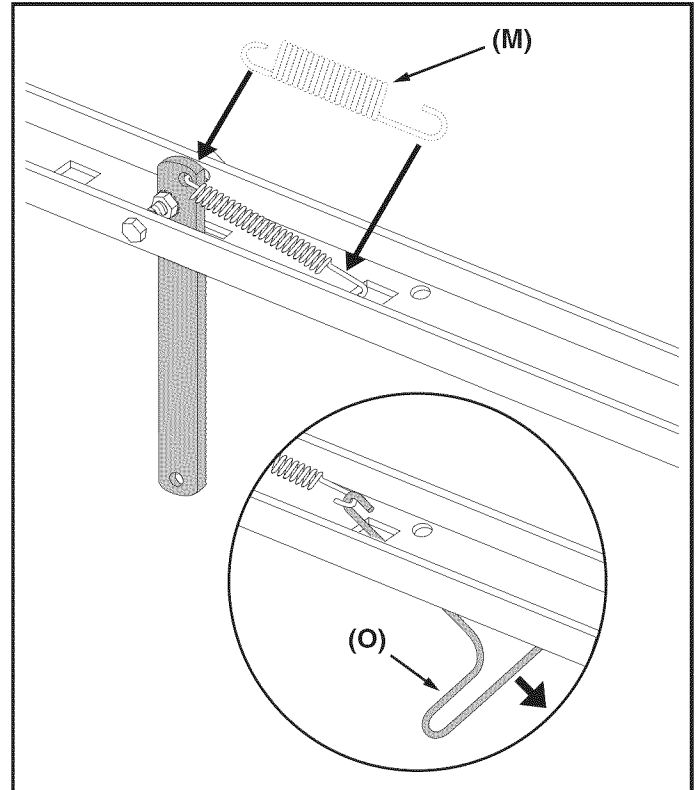


FIGURE 2

### STEP 3: (SEE FIGURE 3)

- Assemble the hitch bracket to the tongue using two hex bolts (C) and hex nuts (I). **Tighten.**
- Assemble the hitch pin (L) through the tongue and hitch bracket and secure it with the hair cotter pin (J).

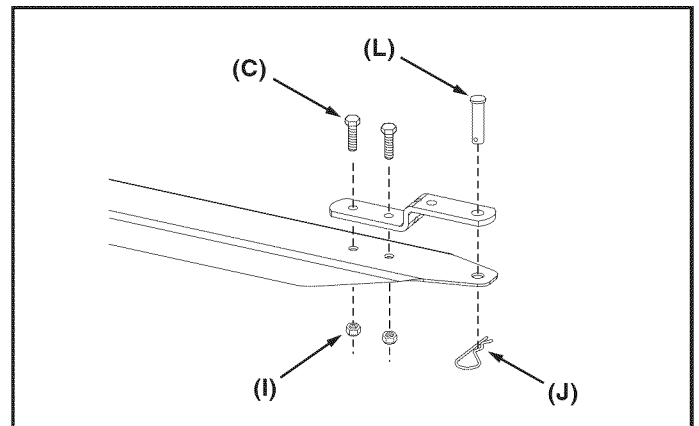


FIGURE 3

#### STEP 4: (SEE FIGURE 4)

- Lay the tongue (open side facing up) onto the wheel support. Assemble the axle through the wheel support and the tongue.

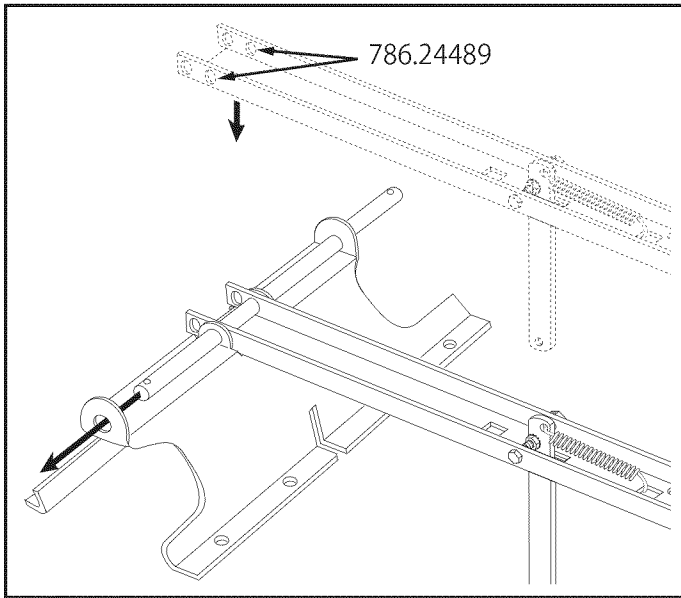


FIGURE 4

#### STEP 5: (SEE FIGURE 5)

- Assemble an axle clip (N), a washer (E), a wheel with the valve stem facing out, and another washer (E) onto the axle. Secure them in place with a 1/8" x 1-1/4" cotter pin (K). Repeat for other wheel.

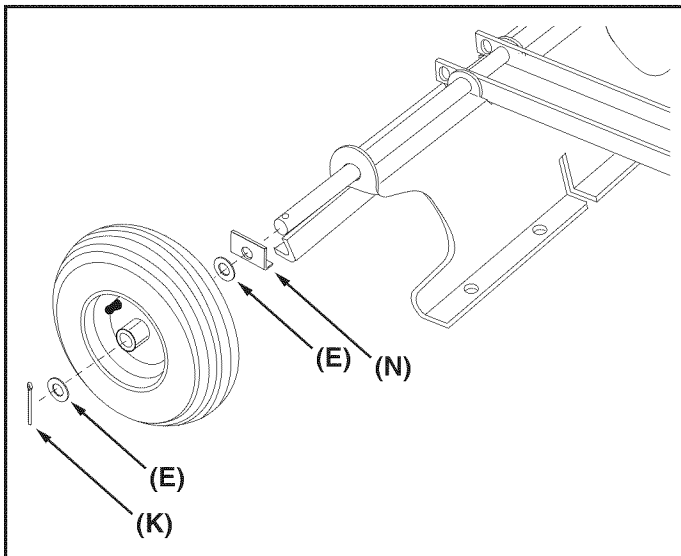


FIGURE 5

#### STEP 6: (SEE FIGURE 6)

- Assemble the latch stand plate and the latch stand bracket at the front of the tray using four hex bolts (A) and hex nuts (F). The aligning tab on the bottom of the latch stand bracket must be towards the rear of the cart. **Tighten.**

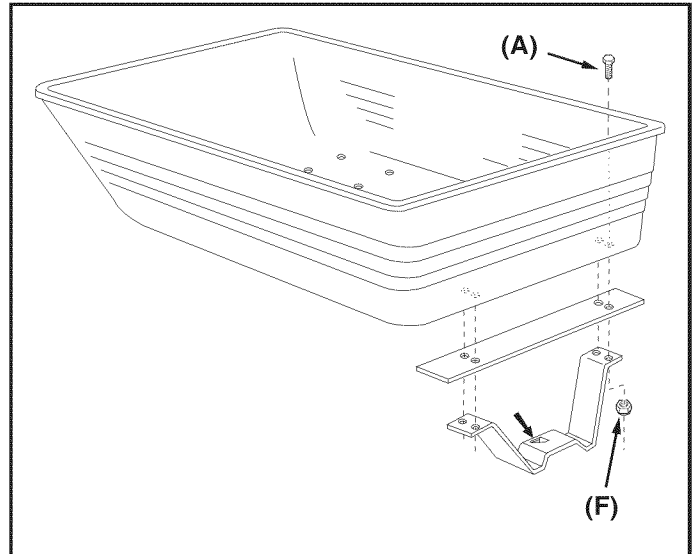


FIGURE 6

#### STEP 7: (SEE FIGURE 7)

- Place the tray onto the wheel support and position it so that the latch stand bracket locks into the latch lock lever. Fasten the tray to the wheel support using eight hex bolts (B) and hex nuts (G). **Tighten.**

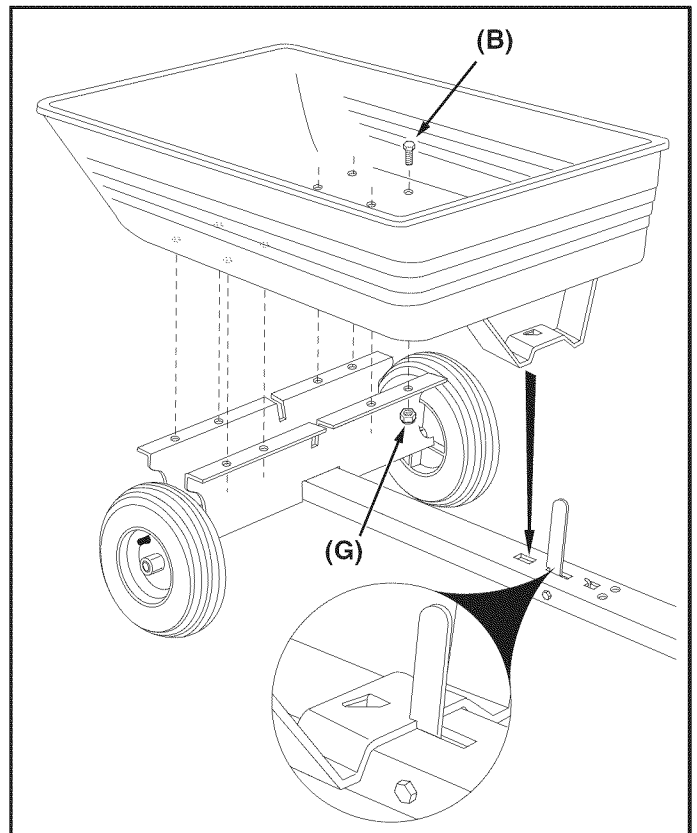


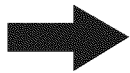
FIGURE 6

## OPERATION



**CAUTION:** Vehicle braking and stability may be affected with the addition of an accessory or an attachment. Be aware of changing conditions on slopes.

1. Refer to the vehicle owners manual for instructions on safe operation on slopes.
2. Use the slope guide provided on page 7 of this manual to determine whether slope angle is too steep for safe operation.
3. For best handling and traction, distribute the weight of the load evenly in the cart.
4. Always test to make sure your tractor has adequate towing and braking capabilities whenever hauling a substantial amount of weight in your cart. Use extra caution when operating on slopes.



## NOTE

### **DO NOT EXCEED 350 LB. CAPACITY OF CART**

*One cubic foot of dirt weighs approximately 80 lbs.*

5. To dump material from the cart, release the spring latch on the tongue by pulling the latch lock lever forward, away from the cart. The cart bed will then tilt backwards to empty its contents. After emptying, pull the front of the bed down toward the cart tongue until the latch snaps into place.
6. The maximum towing speed for this cart is 10 m.p.h.



**CAUTION:** To avoid possible injury, before releasing the latch be sure that no one is near the cart.

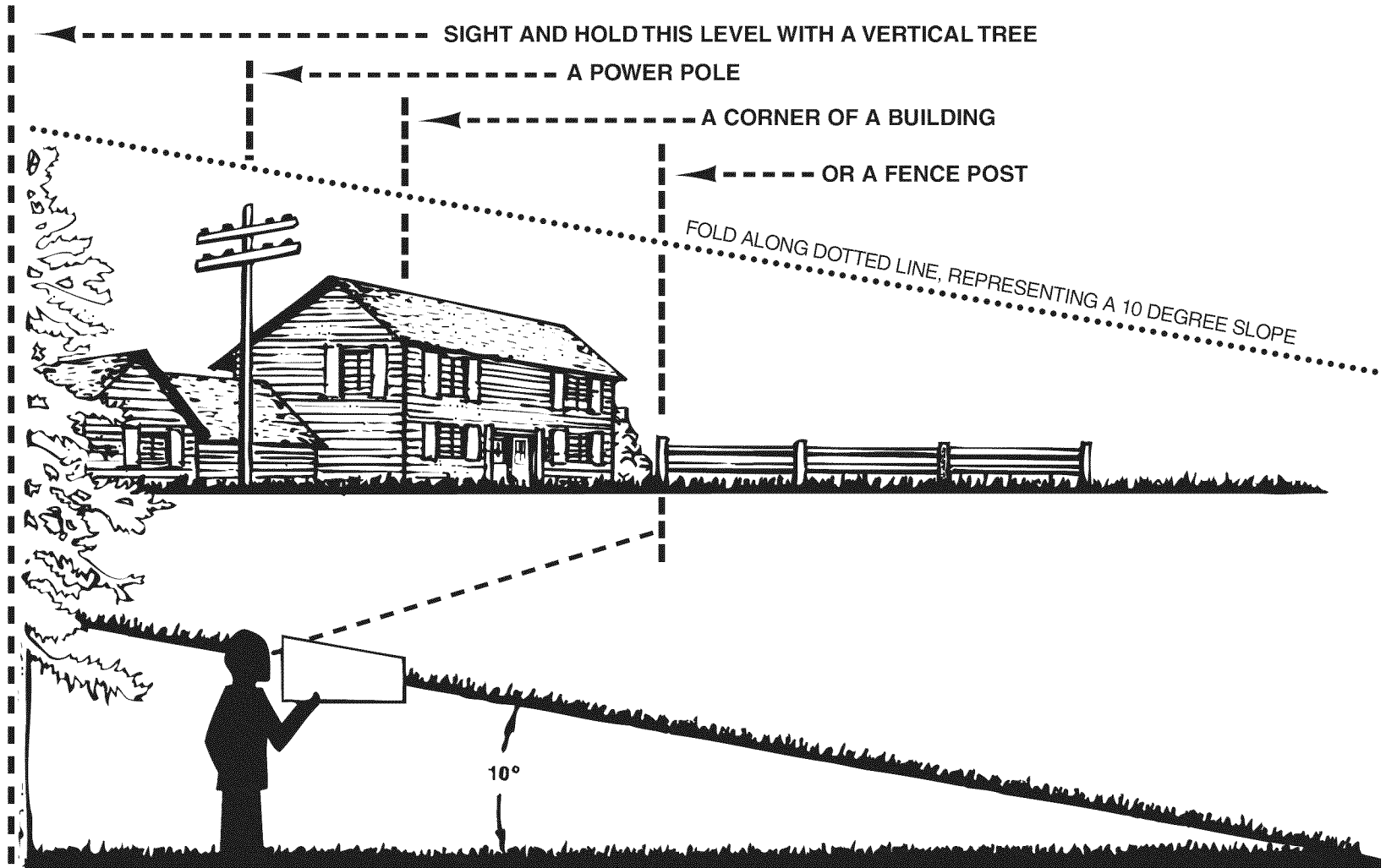
## MAINTENANCE

1. At the beginning of each season, using a light machine oil, lubricate the latch, the latch pivot bolt, and the area of the axle where the draw bar tongue pivots.
2. Grease or oil the wheel bearings periodically. Use automotive wheel bearing type grease or 20 weight oil.
3. Check periodically for loose bolts.
4. Keep tires filled to the recommended tire pressure of 12-14 Lbs.

# SLOPE GUIDE

(Keep this sheet in a safe place for future reference.)

Use this guide to determine if a slope is safe for the operation of your tractor and cart. Refer also to the instructions in your vehicle owner's manual.



**CAUTION: DO NOT OPERATE YOUR TRACTOR AND CART ON A SLOPE IN EXCESS OF 10 DEGREES. BE SURE OF YOUR TRACTOR'S TOWING AND BRAKING CAPABILITIES BEFORE OPERATING ON A SLOPE. AVOID ANY SUDDEN TURNS OR MANEUVERS WHILE ON A SLOPE.**





# REPAIR PARTS LIST MODEL 486.24489

REF	PART NO	QTY	DESCRIPTION
1	40472	1	Poly Tray
2	24908	1	Axle, 5/8"
3	40880	2	Wheel Assembly
4	27715	1	Tongue, Draw Bar
5	24386	1	Latch Stand Plate
6	24497	1	Latch Stand Bracket
7	24527	1	Wheel Support
8	24498	1	Latch Lock Lever
9	47407	1	Hex Bolt, 5/16" x 3-3/4"
10	23687	1	Hitch Bracket
11	43010	2	Cotter Pin, 1/8" x 1-1/4"
12	47622	1	Spring Puller Tool
13	47810	9	Nyock Nut 5/16-18*
14	HA21362	2	Nylock Nut, 3/8-16*
15	R19212016	4	Flat Washer, 5/8"
16	43001	2	Hex Bolt, 3/8-16 x 1"
17	43182	8	Hex Bolt, 5/16-18 x 3/4"
18	47189	4	Nylock Nut, 1/4-20
19	46980	2	Hex Nut, 5/16-18 (SEMS)
20	43012	4	Hex Bolt, 1/4-20 x 3/4"
21	47408	1	Extension Spring
22	HA23638	1	Hitch Pin
23	43343	1	Hair Cotter Pin, 1/8"
24	25910	2	Axle Keeper
	41757	1	Owner's Manual

\* Purchase Common Hardware Locally

**SpeedEPart** *the fastest way to purchase parts* [www.speedepart.com](http://www.speedepart.com)





# **CRAFTSMAN®**

**Product questions or problems?**

# **1-888-331-4569**

## **Customer Care Hot Line**

**Get answers to questions, troubleshoot problems,  
order parts, or schedule repair service.**

Para respuestas a preguntas o problemas, y ordenar  
piezas o pedir servicio para la reparación de su equipo.

**To help us help you, register your product at [www.craftsman.com/registration](http://www.craftsman.com/registration)**

Para poderte ayudar mejor, registra tu producto en [www.craftsman.com/registration](http://www.craftsman.com/registration)

**Join the Craftsman Club today!**

# **CRAFTSMAN® CLUB**

**[www.craftsman.com/signup](http://www.craftsman.com/signup)**

**Receive exclusive member benefits including special pricing and offers,  
project sharing, expert advice, and SHOP YOUR WAY REWARDS!**

Como miembro exclusivo, recibe diversos beneficios como ofertas, precios especiales, proyectos nuevos, consejos de expertos y nuestro programa de puntos SHOP YOUR WAY REWARDS!