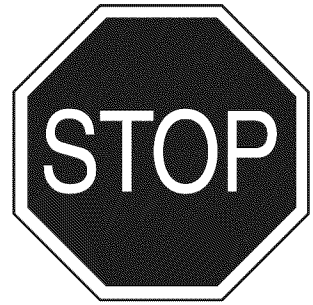


Operator's Manual

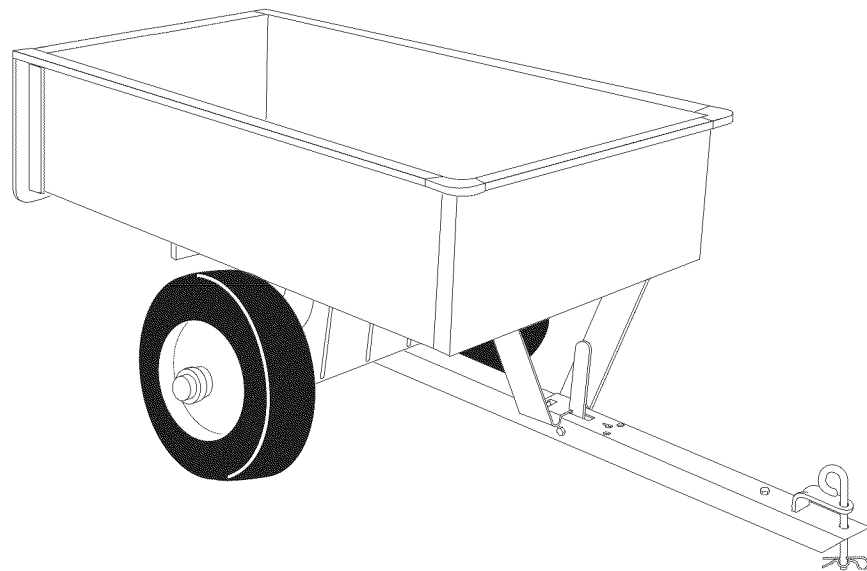


17 CU. FT. CART

Model No. 486.24249



DO NOT RETURN TO STORE
For Missing Parts or Assembly
Questions Call 1-866-576-8388



CAUTION:

Before using this product, read this manual and follow all Safety Rules and Operating Instructions.

- Safety
- Assembly
- Operation
- Maintenance
- Parts

Sears Brands Management Corporation, Hoffman Estates, IL 60179 U.S.A.
www.sears.com/craftsman

TABLE OF CONTENTS

WARRANTY	2	OPERATION.....	9
SAFETY	2	MAINTENANCE	9
FULL SIZE HARDWARE CHART	3	SLOPE GUIDE	10
CARTON CONTENTS	4	REPAIR PARTS LIST & ILLUSTRATION.....	11
ASSEMBLY	5	PARTS ORDERING/SERVICE	BACK PAGE

WARRANTY

CRAFTSMAN LIMITED WARRANTY

FOR TWO YEARS from the date of sale this product is warranted against defects in material or workmanship. WITH PROOF OF SALE a defective product will be replaced free of charge.

For warranty coverage details to obtain free replacement, visit the web page: www.craftsman.com/warranty

This warranty does not cover expendable items that can wear out from normal use or deterioration within the warranty period, including but not limited to tires, belts, exterior finishes or product labels.

This warranty does not apply to a product that is damaged or altered through transportation, misuse, abuse, corrosion, accident, neglect, modification or mishandling.

This warranty is void if this product is ever used while providing commercial services or if rented to another person.

This warranty gives you specific legal rights, and you may also have other rights which vary from state to state.

SEARS BRANDS MANAGEMENT CORPORATION, Hoffman Estates, IL 60179

DO NOT RETURN TO STORE for Missing Parts or Assembly Questions

Call 1-866-576-8388 Attachment Hotline

The model number and serial numbers will be found on a decal attached to the [product name].	MODEL NUMBER: 486.24249
You should record both the serial number and the date of purchase and keep in a safe place for future reference.	SERIAL NUMBER: _____
	DATE OF PURCHASE: _____

SAFETY

Remember, any power equipment can cause injury if operated improperly or if the user does not understand how to operate the equipment. Exercise caution at all times when using power equipment.

LOOK FOR THIS SYMBOL TO POINT OUT IMPORTANT SAFETY PRECAUTIONS. IT MEANS – ATTENTION! BECOME ALERT! YOUR SAFETY IS INVOLVED.

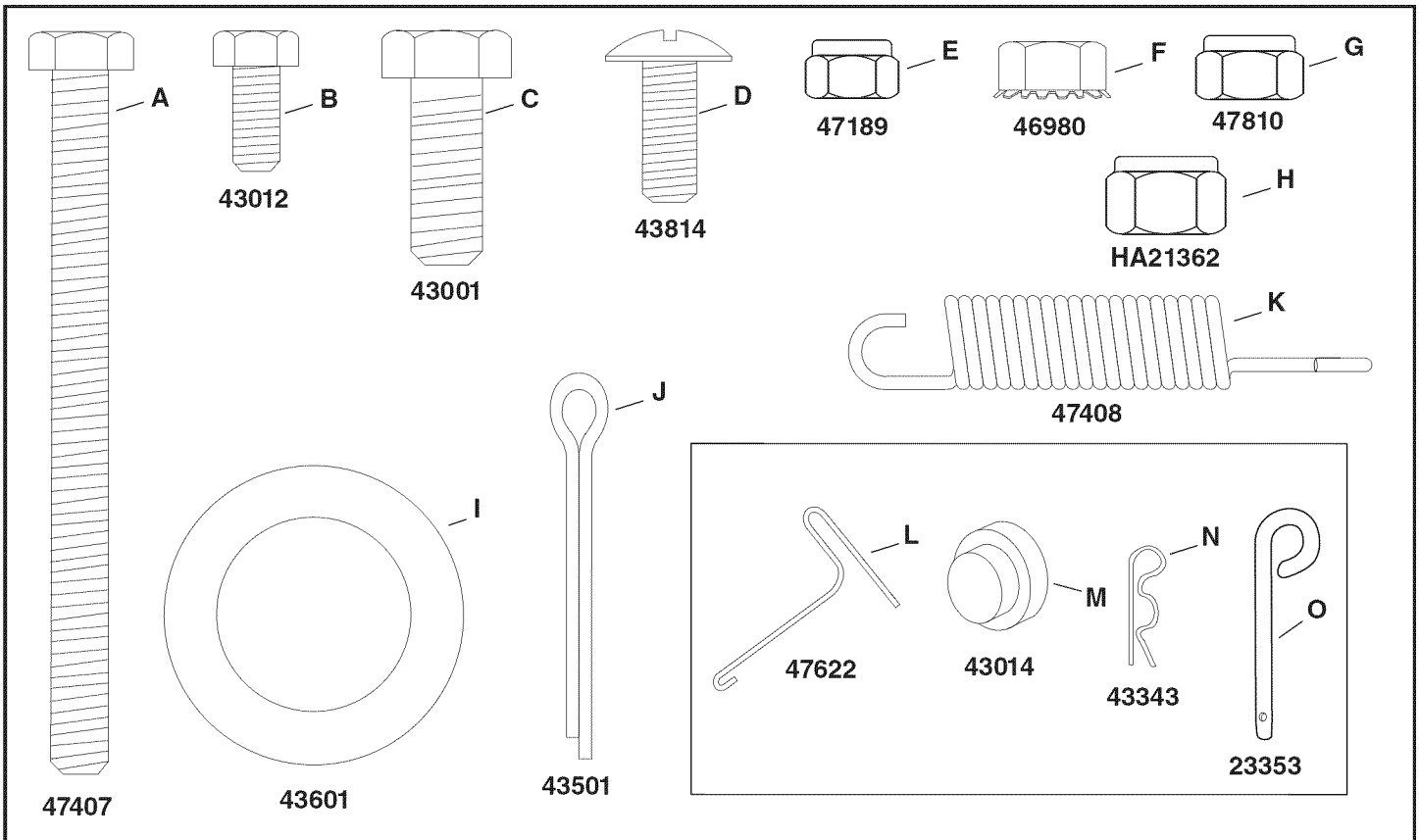
CAUTION: VEHICLE BRAKING AND STABILITY MAY BE AFFECTED WITH THE ADDITION OF AN ACCESSORY OR AN ATTACHMENT. BE AWARE OF CHANGING CONDITIONS ON SLOPES.

Exercise caution at all times when using power equipment.

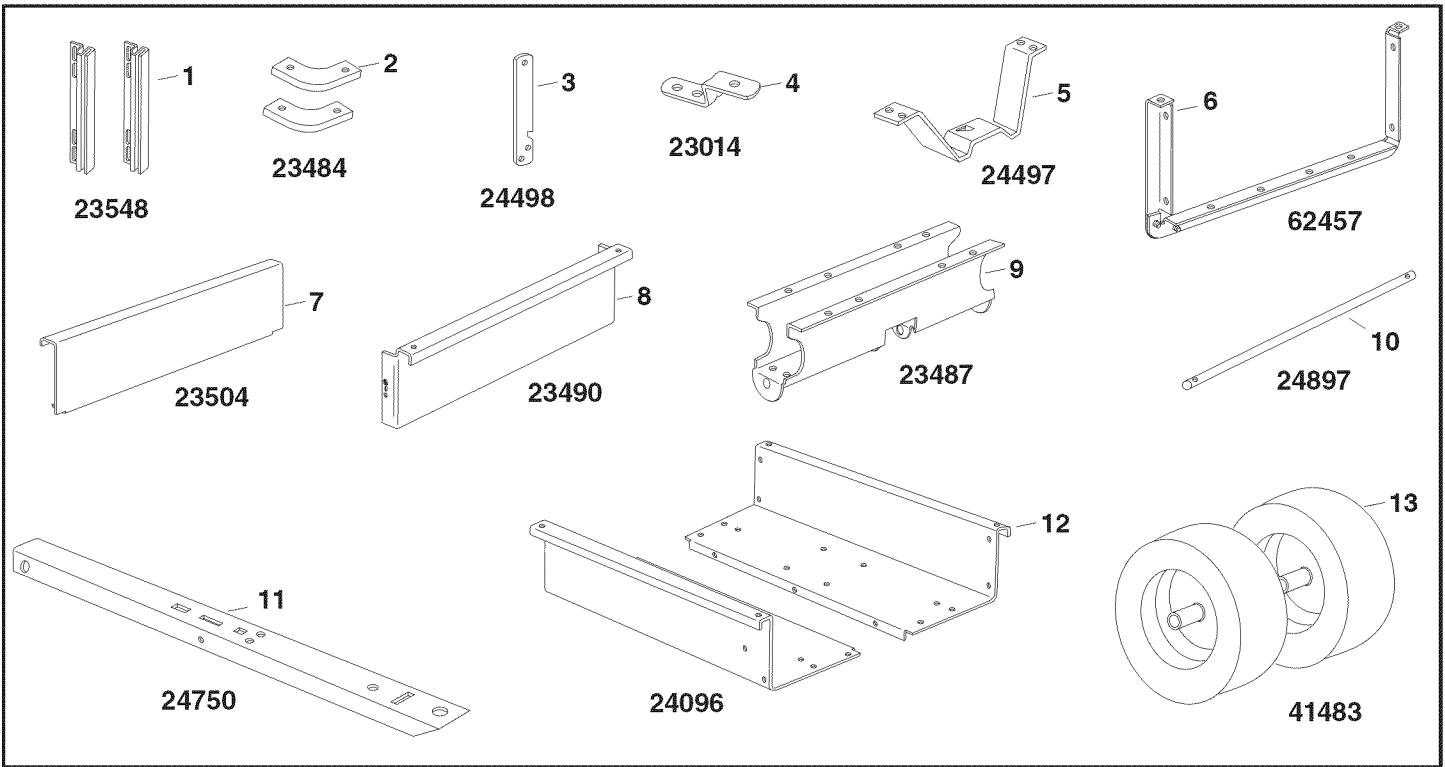
1. Read this owners manual before attempting to assemble or operate the cart.
2. Read the vehicle owners manual and know how to operate your tractor, before using the cart attachment.
3. Do not at any time carry passengers in this cart. It has not been designed to carry passengers.
4. Never allow children to operate the tractor or the cart attachment.
5. Do not allow adults to operate the tractor or cart attachment without proper instructions.
6. Always begin with the transmission in first (low) and gradually increase speed as conditions permit.
7. Tow the cart at reduced speed over rough terrain and hillsides or near creeks and ditches to prevent tipping over and loss of control. Do not drive too close to a creek or ditch.
8. Vehicle braking and stability may be affected with the attachment of this cart. Do not fill cart to maximum weight capacity without checking the capability of the towing vehicle to safely pull and stop with the cart attached.
9. Before operating vehicle on any grade (hill) refer to the safety rules in the vehicle owner's manual concerning safe operation on slopes. Refer also to the slope guide on page 11 of this manual. **Stay off steep slopes!**
10. Do not tow this cart on highways or on public thoroughfares.
11. Maximum towing speed is 10 m.p.h.
12. Follow maintenance and lubrication instructions as outlined in this manual.

FULL SIZE HARDWARE CHART

REF	QTY.	DESCRIPTION	REF	QTY.	DESCRIPTION
A	1	Hex Bolt, 5/16" x 4"	I	2	Hub Cap
B	1	Hex Bolt, 3/8" x 1"	J	4	Flat Washer, 1/4"
C	4	Hex Bolt, 1/4" x 3/4"	K	1	Extension Spring
D	8	Truss Head Bolt, 5/16" x 3/4"	L	1	Spring Puller Tool
E	4	Nylock Nut, 1/4"	M	2	Hub Cap
F	2	SEMS Nut, 5/16"	N	1	Hair Cotter Pin, 1/8"
G	9	Nylock Nut, 5/16"	O	1	Hitch Pin
H	1	Nylock Nut, 3/8"			



CARTON CONTENTS



REF	DESCRIPTION	REF	DESCRIPTION
1	Tailgate Guide	8	Front Panel
2	Corner Cap	9	Wheel Support
3	Latch Lock Lever	10	Axle
4	Hitch Bracket	11	Cart Tongue
5	Latch Stand Bracket	12	Cart Bed
6	Tailgate Reinforcement Bracket	13	Wheel
7	Tailgate		

ASSEMBLY

TOOLS REQUIRED FOR ASSEMBLY

- (1) Phillips Screwdriver
- (1) Pliers
- (2) 7/16" Wrenches
- (2) 1/2" Wrench
- (2) 9/16" Wrenches

STEP 1: (SEE FIGURE 1)

- Verify that all parts and all fasteners on pages 2 and 3 are included in the carton and parts bag. Refer to page 2 to identify fasteners.
- Assemble the cart bed pieces together using three 1/4 X 3/4" bolts and 1/4" nylock nuts. **Do not tighten yet.**

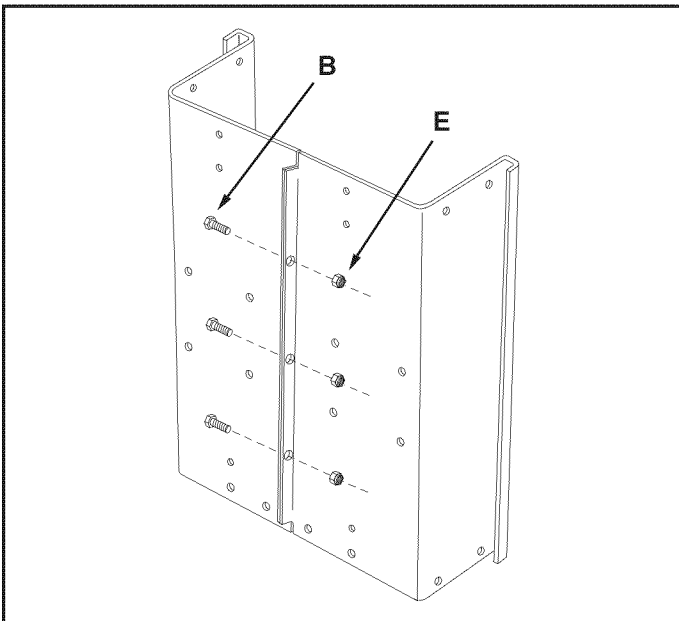


FIGURE 1

STEP 2: (SEE FIGURE 2)

- Attach the tailgate reinforcement bracket to the bottom of the cart body using four 5/16" x 3/4" truss head bolts and 5/16" nylock nuts. **Do not tighten yet.**
- Attach the tailgate reinforcement bracket to the sides of the cart body using two 1/4" x 3/4" hex bolts and 1/4" nylock nuts. **Do not tighten yet.**

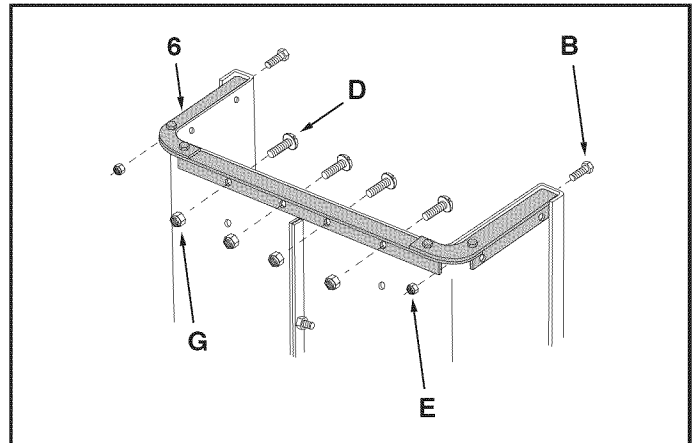


FIGURE 2

STEP 3: (SEE FIGURE 3)

- Attach the tailgate guides to the inside of the cart body with guide channels facing the front using four 1/4" x 3/4" hex bolts and 1/4" nylock nuts. **Do not tighten yet.**

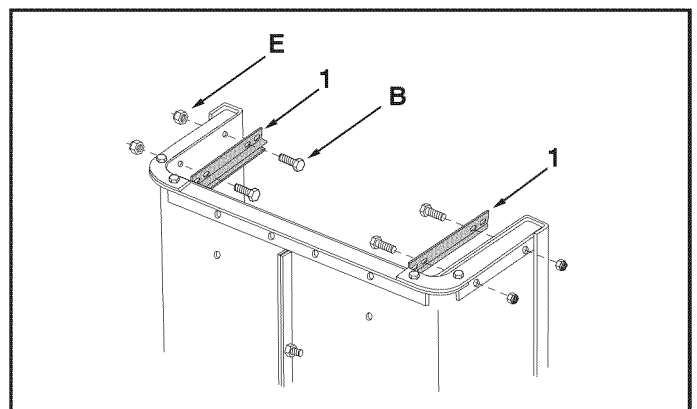


FIGURE 3

STEP 4: (SEE FIGURE 4)

- **Tighten** all fasteners in the order shown.

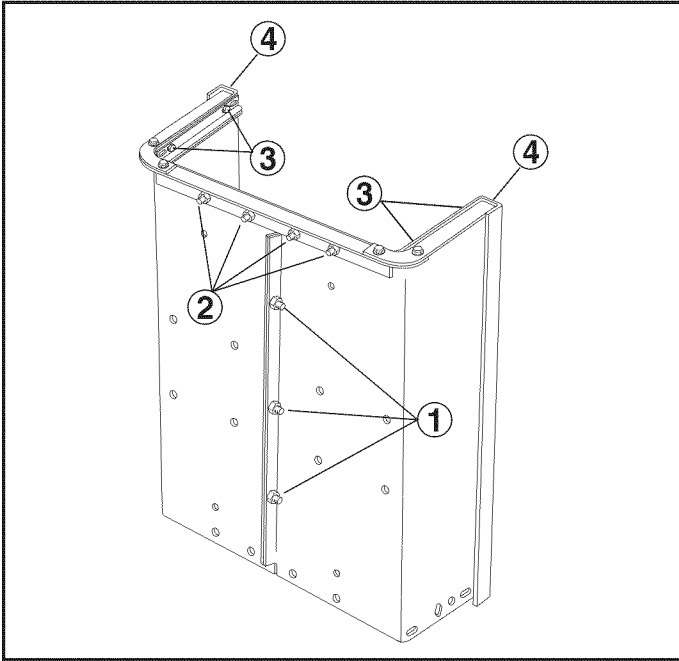


FIGURE 4

STEP 6: (SEE FIGURE 6)

- Assemble the front panel to the end of the cart using six 1/4" x 3/4" hex bolts and 1/4" nylock nuts. **Tighten.**

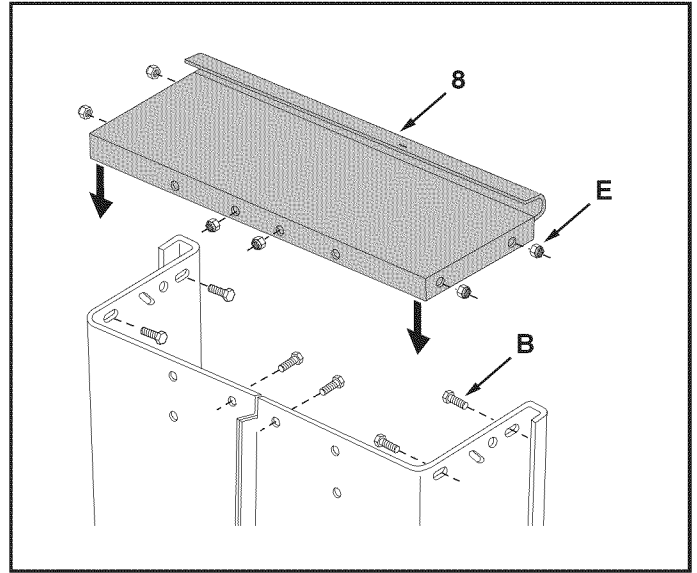


FIGURE 6

STEP 5: (SEE FIGURE 5)

- Carefully turn the cart over so that it rests on the end with the reinforcement bracket.

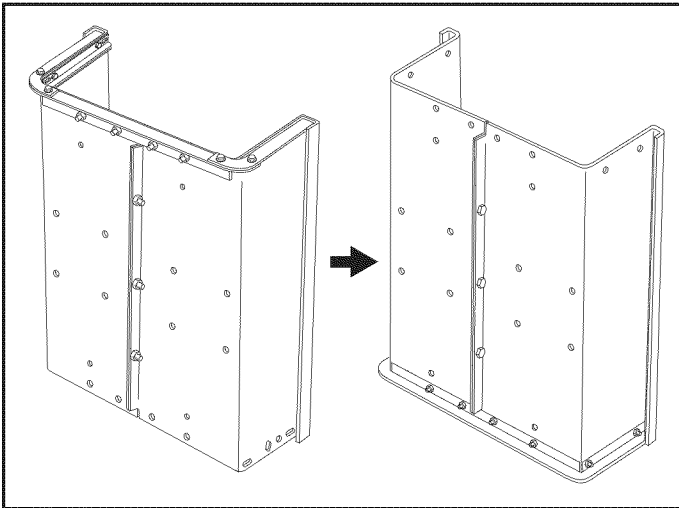


FIGURE 5

STEP 7: (SEE FIGURE 7)

- Assemble the two corner caps to the front corners of the cart using four 1/4" x 3/4" hex bolts and 1/4" nylock nuts. **Tighten.**

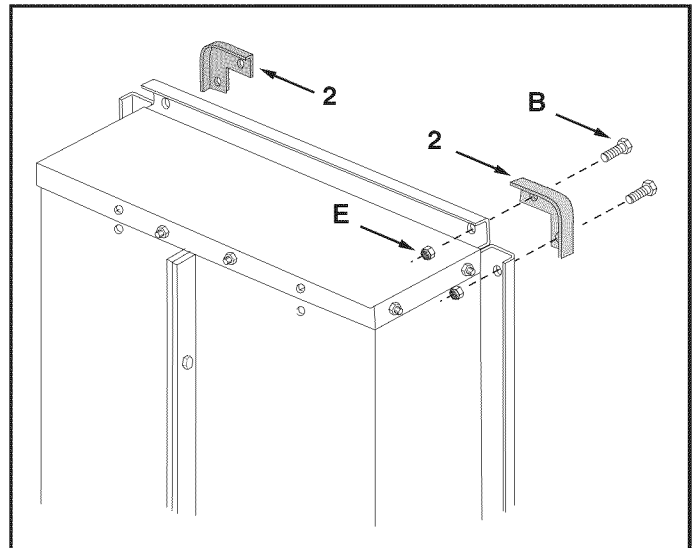


FIGURE 7

STEP 8: (SEE FIGURE 8)

- Attach the wheel support to the bottom of the cart using eight 5/16" x 3/4" truss head bolts and 5/16" nylock nuts. **Tighten.**

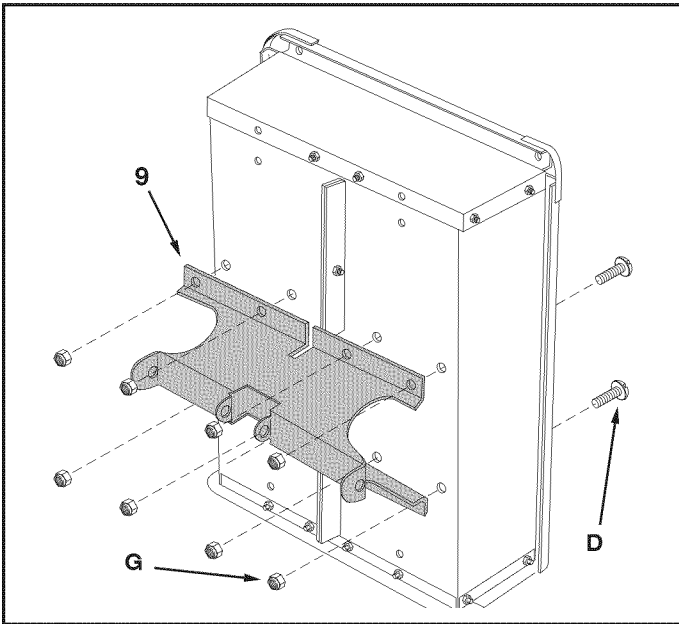


FIGURE 8

STEP 10: (SEE FIGURE 10)

- Flip the cart so that it rests with the wheel support and latch stand bracket facing up.
- Place the cart tongue onto the wheel support and latch stand bracket.

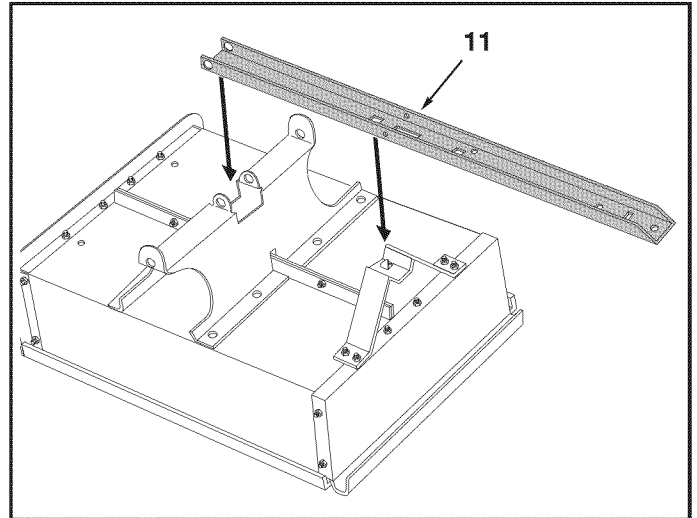


FIGURE 10

STEP 9: (SEE FIGURE 9)

- Assemble the latch stand bracket to the bottom of the cart using four 1/4" x 3/4" hex bolts and 1/4" nylock nuts. Make sure the aligning tab is on the bottom of the bracket. **Tighten.**

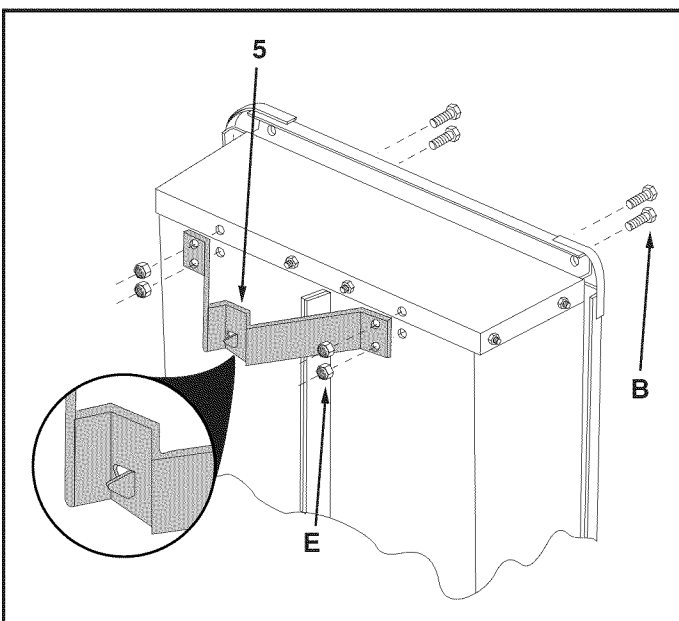


FIGURE 9

STEP 11: (SEE FIGURE 11)

- Slide the axle through the wheel support and tongue.

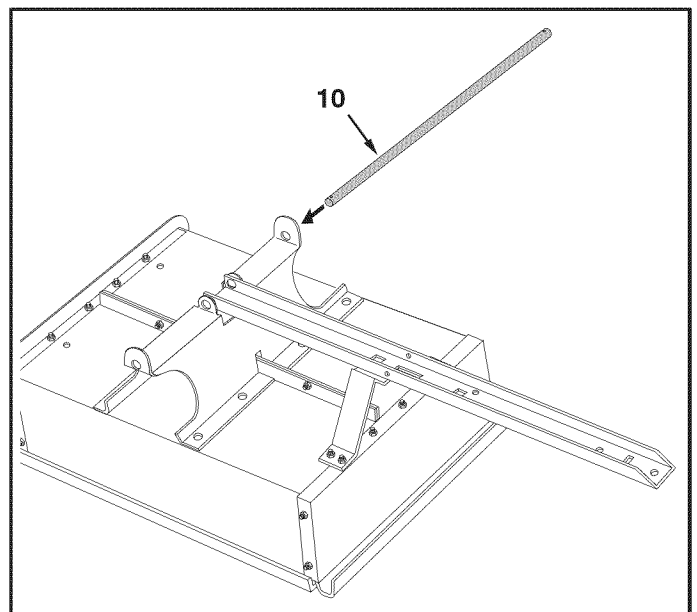


FIGURE 11

STEP 12: (SEE FIGURE 12)

- Assemble a flat washer, a wheel with the valve stem facing out and two more flat washers onto each end of the axle. Then secure each in place with a cotter pin by spreading the ends and pressing on a hub cap.

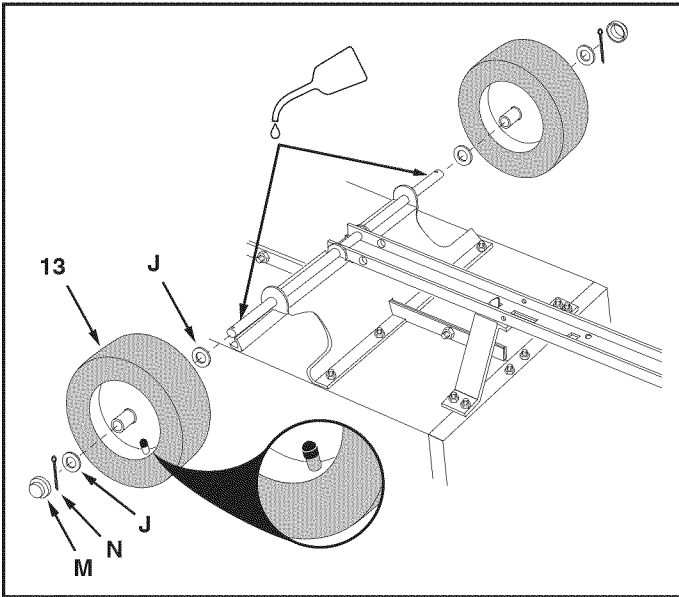


FIGURE 12

STEP 13: (SEE FIGURE 13)

- Place the latch lock lever through the slot in the draw bar tongue. Assemble the 5/16" x 4" hex bolt through the tongue, lever, and two 5/16" SEMS nuts (one on each side of lever). Assemble the 5/16" nylock nut onto end of bolt and **tighten** so that the bolt can still rotate freely. **Tighten** the two 5/16" SEMS nuts against the sides of the latch lock lever so that the lever is centered in the slot.

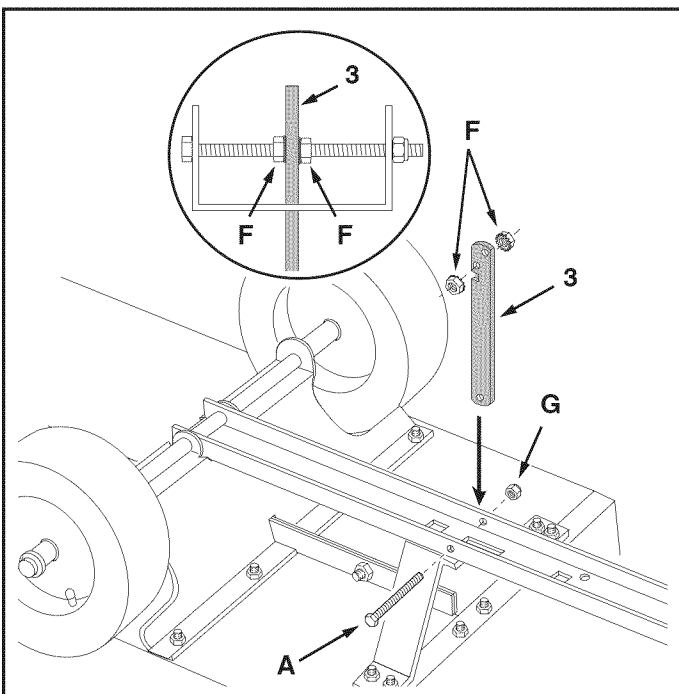


FIGURE 13

STEP 14: (SEE FIGURE 14)

- Hook the short end of the spring into the hole in the latch lock lever. Use the spring puller tool to hook the long end of the spring into the square hole in the tongue. The spring puller tool can be stored in a safe place when finished.

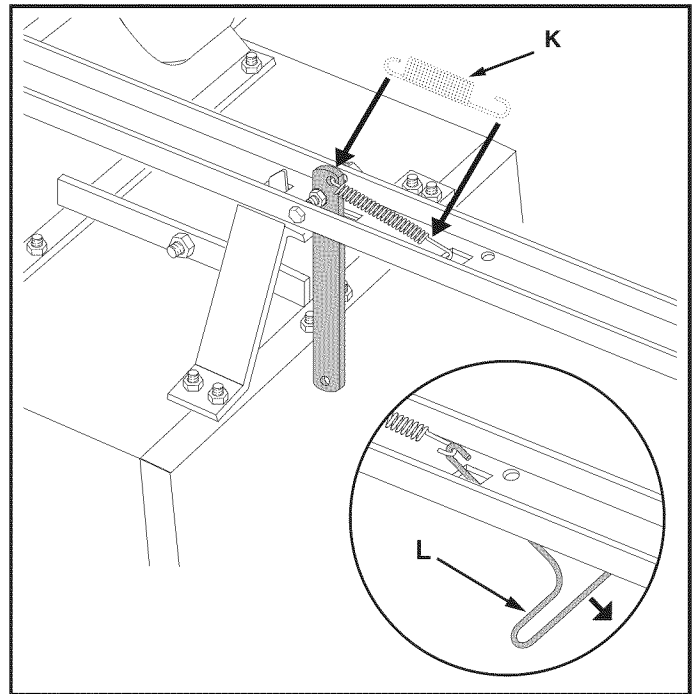


FIGURE 14

STEP 15: (SEE FIGURE 15)

- Turn cart over so that it rests on its wheels.
- Assemble end of hitch bracket down through the slot at the front of the drawbar tongue. Secure it to the tongue using one 3/8" x 1" hex bolt and 3/8" nylock nut. **Tighten**.
- Assemble the hitch pin through the hitch bracket and tongue and secure with the 1/8" hair cotter pin.

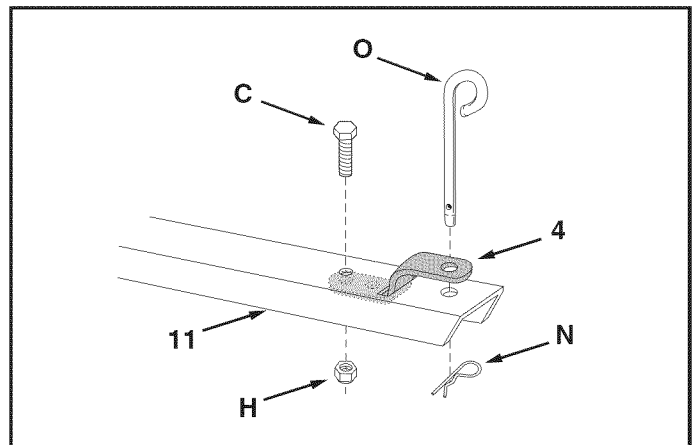


FIGURE 15

OPERATION



CAUTION: VEHICLE BRAKING AND STABILITY MAY BE AFFECTED WITH THE ADDITION OF AN ACCESSORY OR AN ATTACHMENT. BE AWARE OF CHANGING CONDITIONS ON SLOPES.

1. Refer to the vehicle owners manual for instructions on safe operation on slopes.
2. Use the slope guide provided on page 10 of this manual to determine whether slope angle is too steep for safe operation.
3. For best handling and traction, distribute the weight of the load evenly in the cart.
4. Always test to make sure your tractor has adequate towing and braking capabilities whenever hauling a substantial amount of weight in your cart. Use extra caution when operating on slopes.

NOTE

DO NOT EXCEED WEIGHT CAPACITY OF CART

(See the specifications on this page.)

One cubic foot of dirt weighs approximately 80 lbs.

5. To dump material from the cart, release the spring latch on the tongue by pulling the latch lock lever forward, away from the cart. The cart bed will then tilt backwards to empty its contents. After emptying, pull the front of the bed down toward the cart tongue until the latch snaps into place.
6. The maximum towing speed for this cart is 10 m.p.h.



CAUTION: TO AVOID POSSIBLE INJURY, BEFORE RELEASING THE LATCH BE SURE THAT NO ONE IS NEAR THE CART.

MAINTENANCE

1. At the beginning of each season, using a light machine oil, lubricate the latch, the latch pivot bolt, and the area of the axle where the draw bar tongue pivots .
2. Grease or oil the wheel bearings periodically. Use automotive wheel bearing type grease or 20 weight oil.
3. Check periodically for loose bolts.
4. Keep tires filled to the recommended tire pressure printed on side of tire.

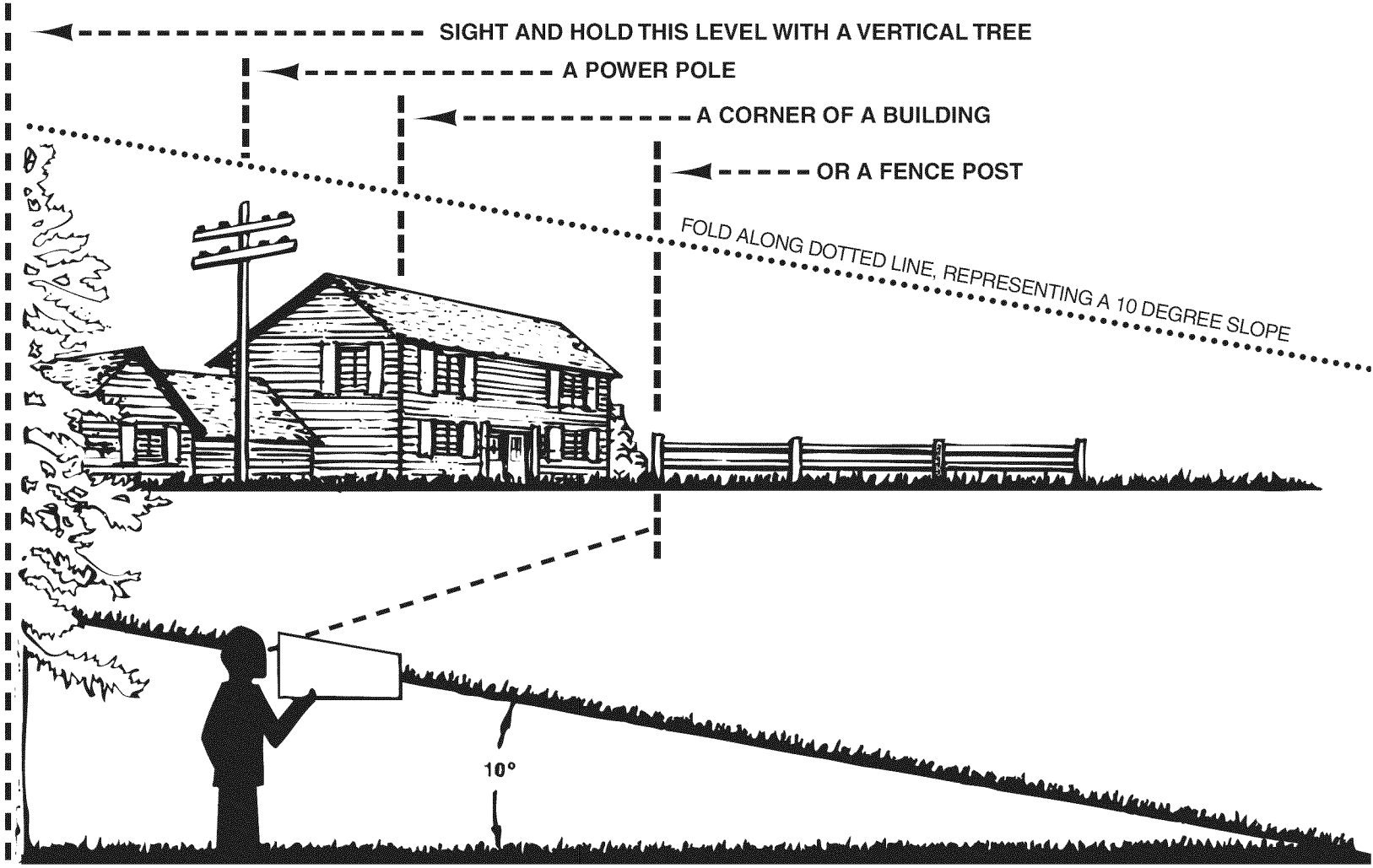
CART SPECIFICATIONS


Capacity: Up to 1,200 Lbs. Max.

SLOPE GUIDE

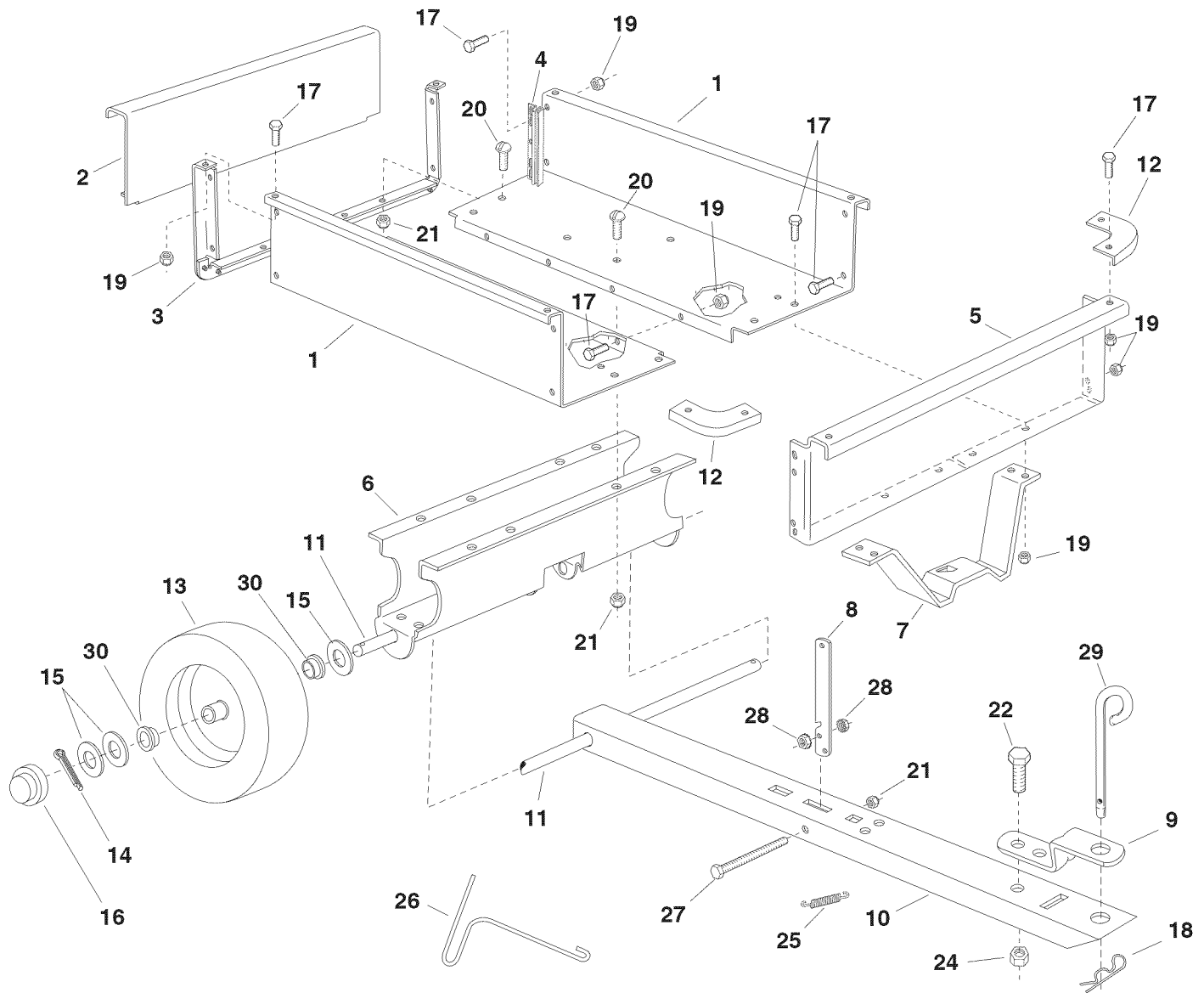
(Keep this sheet in a safe place for future reference.)

Use this guide to determine if a slope is safe for the operation of your tractor and cart. Refer also to the instructions in your vehicle owners manual.



 **CAUTION: DO NOT OPERATE YOUR TRACTOR AND CART ON A SLOPE IN EXCESS OF 10 DEGREES. BE SURE OF YOUR TRACTOR'S TOWING AND BRAKING CAPABILITIES BEFORE OPERATING ON A SLOPE. AVOID ANY SUDDEN TURNS OR MANEUVERS WHILE ON A SLOPE.**

REPAIR PARTS LIST & ILLUSTRATION



REF. NO.	PART NO.	QTY.	DESCRIPTION	REF. NO.	PART NO.	QTY.	DESCRIPTION
1	24096	1	Cart Body	16	43014	2	Hub Cap
2	23504	1	Tailgate	17	43012	23	Hex Bolt, 1/4-20 x 3/4"
3	62457	1	Tailgate Reinforcement Bracket	18	43343	1	Hair Cotter Pin, 1/8 (#4)
4	23548	2	Tailgate Guide	19	47189	23	Nylock Nut, 1/4-20
5	23490	1	Front Panel	20	43814	12	Truss Hd. Bolt, 5/16-18 x 3/4"
6	23487	1	Wheel Support	21	47810	13	Nylock Nut, 5/16-18
7	24497	1	Latch Stand Bracket	22	43001	1	Hex Bolt, 3/8-16 x 1"
8	24498	1	Latch Lock Lever	24	HA21362	1	Nylock Nut, 3/8-16 *
9	23014	1	Hitch Bracket	25	47408	1	Extension Spring
10	24750	1	Draw Bar Tongue	26	47622	1	Spring Puller Tool
11	24897	1	Axle, 1" Dia.	27	47407	1	Hex Bolt, 5/16-18 x 4"
12	23484	2	Front Corner Cap	28	46980	2	Hex Nut, 5/16-18 (SEMS)
13	41483	2	Wheel	29	23353	1	Hitch Pin
14	43501	2	Cotter Pin, 9/64" Dia. x 1-1/2"	30	41485	4	Wheel Bearing
15	43601	6	Washer, Flat 1"		41763	1	Owner's Manual

CRAFTSMAN®

Product questions or problems?

1-888-331-4569

Customer Care Hot Line

**Get answers to questions, troubleshoot problems,
order parts, or schedule repair service.**

Para respuestas a preguntas o problemas, y ordenar
piezas o pedir servicio para la reparación de su equipo.

To help us help you, register your product at www.craftsman.com/registration

Para poderte ayudar mejor, registra tu producto en www.craftsman.com/registration

Join the Craftsman Club today!

CRAFTSMAN® CLUB

www.craftsman.com/signup

**Receive exclusive member benefits including special pricing and offers,
project sharing, expert advice, and SHOP YOUR WAY REWARDS!**

Como miembro exclusivo, recibe diversos beneficios como ofertas, precios especiales, proyectos nuevos, consejos de expertos y nuestro programa de puntos SHOP YOUR WAY REWARDS!