

Before returning this product call

1-800-4-DEWALT

IF YOU SHOULD EXPERIENCE A PROBLEM WITH YOUR DEWALT PURCHASE,

CALL 1-800-4-DEWALT

IN MOST CASES, A DEWALT REPRESENTATIVE CAN RESOLVE
YOUR PROBLEM OVER THE PHONE.

IF YOU HAVE A SUGGESTION OR COMMENT, GIVE US A CALL.
YOUR FEEDBACK IS VITAL TO THE SUCCESS OF DEWALT'S
QUALITY IMPROVEMENT PROGRAM.

Questions? Visit us at www.dewalt.com

Des questions ? Rendez nous visite à www.dewalt.com

¿Tiene preguntas? Visítenos en www.dewalt.com

**INSTRUCTION MANUAL
GUIDE D'UTILISATION
MANUAL DE INSTRUCCIONES**

INSTRUCTIVO DE OPERACIÓN, CENTROS DE SERVICIO Y PÓLIZA DE
GARANTÍA. **ADVERTENCIA:** LÉASE ESTE INSTRUCTIVO ANTES DE
USAR EL PRODUCTO.

DEWALT®

DWS782

12" (305 mm) Double Bevel Sliding Compound Miter Saw

Scie coulissante à onglet mixte 305 mm (12 po)

**Sierra ingletadora compuesta deslizante de doble bisel de
305 mm (12 pulg.)**

Definitions: Safety Guidelines

The definitions below describe the level of severity for each signal word. Please read the manual and pay attention to these symbols.

⚠ DANGER: Indicates an imminently hazardous situation which, if not avoided, will result in **death or serious injury**.

⚠ WARNING: Indicates a potentially hazardous situation which, if not avoided, could result in **death or serious injury**.

⚠ CAUTION: Indicates a potentially hazardous situation which, if not avoided, may result in **minor or moderate injury**.

NOTICE: Indicates a practice **not related to personal injury** which, if not avoided, may result in **property damage**.

IF YOU HAVE ANY QUESTIONS OR COMMENTS ABOUT THIS OR ANY DEWALT TOOL, CALL US TOLL FREE AT: **1-800-4-DEWALT (1-800-433-9258)**.



WARNING: To reduce the risk of injury, read the instruction manual.

Important Safety Instructions



WARNING! Read all safety warnings and all instructions. Failure to follow the warnings and instructions may result in electric shock, fire and/or serious injury.

SAVE ALL WARNINGS AND INSTRUCTIONS FOR FUTURE REFERENCE

Double Insulation

Double insulated tools are constructed throughout with two separate layers of electrical insulation or one single layer of reinforced insulation between you and the tool's electrical system. Tools built with this insulation system are not intended to be grounded. As a result, your tool is equipped with a two prong plug which permits you to use extension cords without concern for maintaining a ground connection.

NOTE: Double insulation does not take the place of normal safety precautions when operating this tool. The secondary insulation system is for protection against injury resulting from a possible failure of the primary insulation within the tool.

⚠ CAUTION: WHEN SERVICING USE ONLY IDENTICAL REPLACEMENT PARTS. Repair or replace damaged cords.

Polarized Plugs

Polarized plugs (one blade is wider than the other) are used on equipment to reduce the risk of electric shock. When provided, this plug will fit in the polarized outlet only one way. If the plug does not fit fully in the outlet, reverse the plug. If it still does not fit, contact a qualified electrician to install the proper outlet. Do not change the plug in any way.

Safety Instructions for All Tools

⚠ WARNING: To reduce the risk of eye injury, ALWAYS use eye protection when operating the miter saw.

- **KEEP GUARD IN PLACE** and in working order.
- **REMOVE ADJUSTING KEYS AND WRENCHES.** Form habit of checking to see that keys and adjusting wrenches are removed from spindle before turning tool on. Tools, scrap pieces, and other debris can be thrown at high speed, causing injury.
- **KEEP WORK AREA CLEAN.** Cluttered areas and benches invite accidents.

- **DO NOT USE THE MACHINE IN A DANGEROUS ENVIRONMENT.** The use of power tools in damp or wet locations or in rain can cause shock or electrocution. Keep your work area well-lit to avoid tripping or placing arms, hands, and fingers in danger.
- **KEEP CHILDREN AWAY.** All visitors should be kept at a safe distance from work area. Your shop is a potentially dangerous environment.
- **MAKE WORKSHOP CHILDPROOF** with padlocks, master switches, or by removing starter keys. The unauthorized start-up of a machine by a child or visitor may result in injury.
- **DON'T FORCE TOOL.** It will do the job better and be safer at the rate for which it was designed.
- **USE RIGHT TOOL.** Don't force tool or attachment to do a job for which it was not designed. Using the incorrect tool or attachment may result in personal injury.
- **WEAR PROPER APPAREL.** Do not wear loose clothing, gloves, neckties, rings, bracelets, or other jewelry which may get caught in moving parts. Nonslip footwear is recommended. Wear protective hair covering to contain long hair.
- **ALWAYS USE SAFETY GLASSES.** Everyday eyeglasses are NOT safety glasses. Also use face or dust mask if cutting operation is dusty. **ALWAYS WEAR CERTIFIED SAFETY EQUIPMENT:**
 - ANSI Z87.1 eye protection (CAN/CSA Z94.3).
 - ANSI S12.6 (S3.19) hearing protection.
 - NIOSH/OSHA/MSHA respiratory protection.
- **SECURE THE WORKPIECE.** Use clamps or a vise to hold the workpiece on the table and against the fence or when your hand will be dangerously close to the blade within 6" (152 mm). It is safer than using your hand and it frees both hands to operate tool.
- **DON'T OVERREACH.** Keep proper footing and balance at all times. Loss of balance may cause personal injury.
- **MAINTAIN TOOLS WITH CARE.** Keep tools sharp and clean for best and safest performance. Follow instructions for lubricating and changing accessories. Poorly maintained tools and machines can further damage the tool or machine and/or cause injury.
- **TURN THE MACHINE "OFF", AND DISCONNECT THE MACHINE FROM THE POWER SOURCE** before installing or removing accessories, before adjusting or changing set-ups, when making repairs or changing locations. An accidental start-up can cause injury. Do not touch the plug's metal prongs when unplugging or plugging in the cord.
- **REDUCE THE RISK OF UNINTENTIONAL STARTING.** Make sure that the switch is in the "OFF" position before plugging in the power cord.
- **USE PROPER EXTENSION CORD.** Make sure your extension cord is in good condition. When using an extension cord, be sure to use one heavy enough to carry the current your product will draw. An undersized cord will cause a drop in line voltage resulting in loss of power and overheating. The following table shows the correct size to use depending on cord length and nameplate ampere rating. If in doubt, use the next heavier gauge. The smaller the gauge number, the heavier the cord.

		Minimum Gauge for Cord Sets			
		Volts	Total Length of Cord in Feet (meters)		
Ampere Rating	120V	25 (7.6)	50 (15.2)	100 (30.5)	150 (45.7)
	240V	50 (15.2)	100 (30.5)	200 (61.0)	300 (91.4)
More Than	Not More Than	AWG			
0	6	18	16	16	14
6	10	18	16	14	12
10	12	16	16	14	12
12	16	14	12	Not Recommended	

- **CHECK FOR DAMAGED PARTS.** Before further use of the tool, a guard or other part that is damaged should be carefully checked to determine that it will operate properly and perform its intended function—check for alignment of moving parts, binding of moving parts, breakage of parts, mounting and any other conditions that may affect its operation. A guard or other part that is damaged should be properly repaired or replaced. Do not use tool if switch does not turn it on and off.
- **USE RECOMMENDED ACCESSORIES.** Use only accessories that are recommended by the manufacturer for your model. Accessories that may be suitable for one tool may be hazardous when used on another tool. Consult the instruction manual for recommended accessories. The use of improper accessories may cause risk of injury to persons.
- **NEVER STAND ON TOOL.** Serious injury could occur if the tool is tipped or if the cutting tool is unintentionally contacted.
- **NEVER LEAVE TOOL RUNNING UNATTENDED. TURN POWER OFF.** Don't leave tool until it comes to a complete stop. Serious injury can result.
- **DO NOT OPERATE ELECTRIC TOOLS NEAR FLAMMABLE LIQUIDS OR IN GASEOUS OR EXPLOSIVE ATMOSPHERES.** Motors in these tools may spark and ignite fumes.
- **STAY ALERT, WATCH WHAT YOU ARE DOING, AND USE COMMON SENSE. DO NOT USE THE MACHINE WHEN YOU ARE TIRED OR UNDER THE INFLUENCE OF DRUGS OR ALCOHOL.** A moment of inattention while operating power tools may result in injury.

Additional Safety Rules For Miter Saws

⚠WARNING: Do not allow familiarity (gained from frequent use of your saw) to replace safety rules. Always remember that a careless fraction of a second is sufficient to inflict severe injury.

- **DO NOT OPERATE THIS MACHINE** until it is completely assembled and installed according to the instructions. A machine incorrectly assembled can cause serious injury.
- **OBTAIN ADVICE** from your supervisor, instructor, or another qualified person if you are not thoroughly familiar with the operation of this machine. Knowledge is safety.
- **STABILITY.** Make sure the miter saw is placed on a secure supporting surface and does not slip or move during use.
- **FOLLOW ALL WIRING CODES** and recommended electrical connections to prevent shock or electrocution. Protect electric supply line with at least a 15 ampere time-delay fuse or a circuit breaker.
- **MAKE CERTAIN** the blade rotates in the correct direction. The teeth on the blade should point in the direction of rotation as marked on the saw.
- **TIGHTEN ALL CLAMP HANDLES,** knobs and levers prior to operation. Loose clamps can cause parts or the workpiece to be thrown at high speeds.
- **BE SURE** all blade and blade clamps are clean, recessed sides of blade clamps are against blade and arbor screw is tightened securely. Loose or improper blade clamping may result in damage to the saw and possible personal injury.
- **ALWAYS USE A SHARP BLADE.** Check the blade to see if it runs true and is free from vibration. A dull or a vibrating blade can cause damage to the machine and/or serious injury.
- **DO NOT OPERATE ON ANYTHING OTHER THAN THE DESIGNATED VOLTAGE** for the saw. Overheating, damage to the tool and personal injury may occur.
- **DO NOT WEDGE ANYTHING AGAINST THE FAN** to hold the motor shaft. Damage to tool and possible personal injury may occur.
- **DO NOT FORCE CUTTING ACTION.** Stalling or partial stalling of motor can cause damage to the machine or blade and/or serious injury.
- **ALLOW THE MOTOR TO COME TO FULL SPEED** prior to starting cut. Starting the cut too soon may cause damage to the machine or blade and/or serious injury.

- **NEVER CUT FERROUS METALS** (those with any iron or steel content) or masonry. Either of these can cause the carbide tips to fly off the blade at high speeds causing serious injury.
- **DO NOT USE ABRASIVE WHEELS.** The excessive heat and abrasive particles generated by them may damage the saw and cause personal injury.
- **NEVER HAVE ANY PART OF YOUR BODY IN LINE WITH THE PATH OF THE SAW BLADE.** Personal injury will occur.
- **NEVER APPLY BLADE LUBRICANT TO A RUNNING BLADE.** Applying lubricant could cause your hand to move into the blade resulting in serious injury.
- **DO NOT** place either hand in the blade area when the saw is connected to the power source. Inadvertent blade activation may result in serious injury.
- **DO NOT PERFORM FREEHAND OPERATIONS** (workpiece not supported by table and fence). Hold the work firmly against the fence and table. Freehand operations on a miter saw could cause the workpiece to be thrown at high speeds, causing serious injury.
- **NEVER REACH AROUND OR BEHIND THE SAW BLADE.** A blade can cause serious injury.
- **DO NOT REACH UNDERNEATH THE SAW** unless it is unplugged and turned off. Contact with saw blade may cause personal injury.
- **SECURE THE MACHINE TO A STABLE SUPPORTING SURFACE.** Vibration can possibly cause the machine to slide, walk, or tip over, causing serious injury.
- **USE ONLY CROSSCUT SAW BLADES** recommended for miter saws. For best results, do not use carbide tipped blades with hook angles in excess of 7 degrees. Do not use blades with deep gullets. These can deflect and contact the guard, and can cause damage to the machine and/or serious injury.
- **USE ONLY BLADES OF THE CORRECT SIZE AND TYPE** specified for this tool to prevent damage to the machine and/or serious injury.
- **INSPECT BLADE FOR CRACKS** or other damage prior to operation. A cracked or damaged blade can come apart and pieces can be thrown at high speeds, causing serious injury. Replace cracked or damaged blades immediately.
- **CLEAN THE BLADE AND BLADE CLAMPS** prior to operation. Cleaning the blade and blade clamps allows you to check for any damage to the blade or blade clamps. A cracked or damaged blade or blade clamp can come apart and pieces can be thrown at high speeds, causing serious injury.
- **DO NOT** use lubricants or cleaners (particularly spray or aerosol) in the vicinity of the plastic guard. The polycarbonate material used in the guard is subject to attack by certain chemicals.
- **ALWAYS USE THE KERF PLATE AND REPLACE THIS PLATE WHEN DAMAGED.** Small chip accumulation under the saw may interfere with the saw blade or may cause instability of workpiece when cutting.
- **USE ONLY BLADE CLAMPS SPECIFIED FOR THIS TOOL** to prevent damage to the machine and/or serious injury.
- **CLEAN THE MOTOR AIR SLOTS** of chips and sawdust. Clogged motor air slots can cause the machine to overheat, damaging the machine and possibly causing a short which could cause serious injury.
- **KEEP ARMS, HANDS, AND FINGERS AWAY FROM THE BLADE** to prevent severe cuts. Clamp all workpieces that would cause your hand to be within 6" (152 mm) of the saw blade.
- **NEVER LOCK THE SWITCH IN THE "ON" POSITION.** Severe personal injury may result.
- **TURN OFF THE MACHINE** and allow the blade to come to a complete stop before raising the arm and prior to cleaning the blade area, removing debris in the path of the blade, before servicing or adjusting tool. A moving blade can cause serious injury.

- **PROPERLY SUPPORT LONG OR WIDE WORKPIECES.** Loss of control of the workpiece can cause injury.
- **NEVER CROSS ARMS IN FRONT OF BLADE** while using tool. Always make a dry run (unpowered) before making a finish cut so that you can check the path of the blade or severe personal injury may result.
- **ADDITIONAL INFORMATION** regarding the safe and proper operation of power tools (i.e., a safety video) is available from the Power Tool Institute, 1300 Sumner Avenue, Cleveland, OH 44115-2851 (www.powertoolinstitute.com). Information is also available from the National Safety Council, 1121 Spring Lake Drive, Itasca, IL 60143-3201. Please refer to the American National Standards Institute ANSI 01.1 Safety Requirements for Woodworking Machines and the U.S. Department of Labor OSHA 1910.213 Regulations.

⚠WARNING: Do not connect unit to electrical power source until complete instructions are read and understood.

⚠WARNING: Always wear proper personal hearing protection that conforms to ANSI S12.6 (S3.19) during use. Under some conditions and duration of use, noise from this product may contribute to hearing loss.

⚠WARNING: NEVER MAKE ANY CUT UNLESS THE MATERIAL IS SECURED ON THE TABLE AND AGAINST THE FENCE.

⚠WARNING: Some dust created by power sanding, sawing, grinding, drilling, and other construction activities contains chemicals known to the State of California to cause cancer, birth defects or other reproductive harm. Some examples of these chemicals are:

- lead from lead-based paints,
- crystalline silica from bricks and cement and other masonry products, and
- arsenic and chromium from chemically-treated lumber.

Your risk from these exposures varies, depending on how often you do this type of work. To reduce your exposure to these chemicals: work in a well ventilated area, and work with approved safety equipment, such as those dust masks that are specially designed to filter out microscopic particles.

- **Avoid prolonged contact with dust from power sanding, sawing, grinding, drilling, and other construction activities. Wear protective clothing and wash exposed areas with soap and water. Allowing dust to get into your mouth, eyes, or lay on the skin may promote absorption of harmful chemicals.**

⚠WARNING: Use of this tool can generate and/or disperse dust, which may cause serious and permanent respiratory or other injury. Always use NIOSH/OSHA approved respiratory protection appropriate for the dust exposure. Direct particles away from face and body.

For your convenience and safety, the following warning labels are on your miter saw.

ON MOTOR HOUSING:

⚠WARNING: FOR YOUR OWN SAFETY, READ INSTRUCTION MANUAL BEFORE OPERATING MITER SAW.

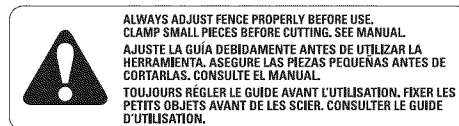
WHEN SERVICING, USE ONLY IDENTICAL REPLACEMENT PARTS.

DO NOT EXPOSE TO RAIN OR USE IN DAMP LOCATIONS.

ALWAYS USE PROPER EYE AND RESPIRATORY PROTECTION.

ON MOVING FENCES:

ALWAYS ADJUST FENCE PROPERLY BEFORE USE. CLAMP SMALL PIECES BEFORE CUTTING. SEE MANUAL.



ON GUARD:
DANGER—KEEP AWAY FROM BLADE.

ON UPPER GUARD:
PROPERLY SECURE BRACKET WITH BOTH SCREWS BEFORE USE.

ON TABLE: (2 PLACES)

⚠WARNING: FOR YOUR OWN SAFETY, READ INSTRUCTION MANUAL BEFORE OPERATING MITER SAW. KEEP HANDS OUT OF PATH OF SAW BLADE. DO NOT OPERATE SAW WITHOUT GUARDS IN PLACE. CHECK LOWER GUARD FOR PROPER CLOSING BEFORE EACH USE. ALWAYS TIGHTEN ADJUSTMENT KNOBS BEFORE USE. DO NOT PERFORM ANY OPERATION FREEHAND. NEVER REACH IN BACK OF SAW BLADE. NEVER CROSS ARMS IN FRONT OF BLADE. TURN OFF TOOL AND WAIT FOR SAW BLADE TO STOP BEFORE MOVING WORKPIECE, CHANGING SETTINGS OR MOVING HANDS. DISCONNECT POWER BEFORE CHANGING BLADE OR SERVICING. TO REDUCE THE RISK OF INJURY, RETURN CARRIAGE TO THE FULL REAR POSITION AFTER EACH CROSSCUT OPERATION. THINK! YOU CAN PREVENT ACCIDENTS.

ON BASE: (2 PLACES)



Electrical Connection

Be sure your power supply agrees with the nameplate marking. 120 volts, AC means that your saw will operate on alternating current. The switch is susceptible to failure if direct current is used. A voltage decrease of 10 percent or more will cause a loss of power and overheating. All DEWALT tools are factory tested. If this tool does not operate, check the power supply.

Accessories

⚠WARNING: Since accessories, other than those offered by DEWALT, have not been tested with this product, use of such accessories with this tool could be hazardous. To reduce the risk of injury, only DEWALT recommended accessories should be used with this product.

Recommended accessories for use with your tool are available for purchase from your local dealer or authorized service center. If you need assistance in locating any accessory for your tool, please contact DEWALT Industrial Tool Co., 701 East Joppa Road, Baltimore, MD 21286, call 1-800-4-DEWALT (1-800-433-9258) or visit our website: www.dewalt.com.

Optional Accessories (Fig. 1)

The following accessories, designed for your saw, may be helpful. In some cases, other locally obtained work supports, length stops, clamps, etc., may be more appropriate. Use care in selecting and using accessories.

Extension Work Support: DW7080

Used to support long overhanging workpieces, the work support is user assembled. Your saw base is designed to accept two work supports, one on each side.

Adjustable Length Stop: DW7051

Requires the use of one Extension Work Support (DW7080) (refer to Figure 1). It is used to make repetitive cuts of the same length from 0 to 42" (107 cm).

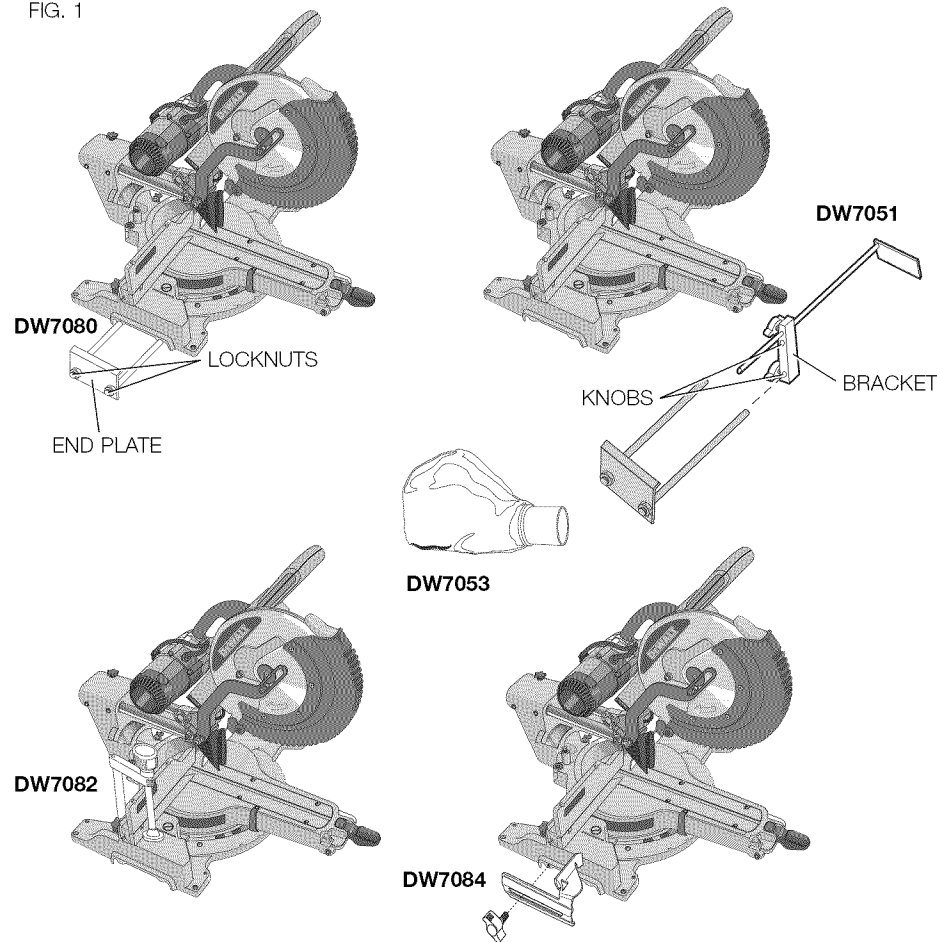
Clamp: DW7082 (similar model included)

Used for firmly clamping workpiece to the saw table for precision cutting.

DANGER PELIGRO
 KEEP AWAY FROM BLADE
 MANTENERS ALEJADO DE LA HOJA
 S'ÉLOIGNER DE LA LAME



FIG. 1



Dust Bag: DW7053

Equipped with a zipper for easy emptying, the dust bag will capture the majority of the sawdust produced.

Crown Molding Fence: DW7084

Used for precision cutting of crown molding.

SAW BLADES: ALWAYS USE 12" (305 mm) SAW BLADES WITH EITHER 1" (25.4 mm) OR 5/8" (15.88 mm) ARBOR HOLES. SPEED RATING MUST BE AT LEAST 4800 RPM. Never use a smaller diameter blade. It will not be guarded properly. Use crosscut blades only! Do not use blades designed for ripping, combination blades or blades with hook angles in excess of 7°.

BLADE DESCRIPTIONS		
APPLICATION	DIAMETER	TEETH
Construction Saw Blades (<i>thin kerf with anti-stick rim</i>)		
General Purpose	12" (305 mm)	40
Fine Crosscuts	12" (305 mm)	60
Woodworking Saw Blades (<i>provide smooth, clean cuts</i>)		
Fine crosscuts	12" (305 mm)	80
Non-ferrous metals	12" (305 mm)	96

NOTE: For cutting non-ferrous metals, use only saw blades with TCG (Triple Chip Grind) teeth designed for this purpose.

Unpacking Your Saw

Check the contents of your miter saw carton to make sure that you have received all parts. In addition to this instruction manual, the carton should contain:

- 1 DWS782 miter saw
- 1 DEWALT 12" (305 mm) diameter saw blade
- In bag:
 - 1 Blade wrench
 - 1 DW7053 dustbag
 - 1 Material clamp

Specifications

CAPACITY OF CUT

50° miter left, 60° miter right,
49° bevel left and right

ANGLE	MAXIMUM CAPACITY OF CUT		RESULT	
	Height	Width	Height	Width
0° miter	4.4" (112 mm)	9.1" (231 mm)	3.0" (76 mm)	13.75" (349 mm)
	13.75" (349 mm)	9.1" (231 mm)	11.4" (290 mm)	1.7" (43 mm)
45° miter	4.4" (112 mm)	5.8" (147 mm)	3.0" (76 mm)	13.75" (349 mm)
	13.75" (349 mm)	5.8" (147 mm)	11.4" (290 mm)	1.7" (43 mm)
45° bevel – left	3.1" (79 mm)	11.4" (290 mm)	1.7" (43 mm)	13.75" (349 mm)
	13.75" (349 mm)	11.4" (290 mm)	1.1" (28 mm)	13.75" (349 mm)
45° bevel – right	2.2" (56 mm)	11.4" (290 mm)	1.1" (28 mm)	13.75" (349 mm)
	13.75" (349 mm)	11.4" (290 mm)	1.1" (28 mm)	13.75" (349 mm)

Your saw is capable of cutting baseboard moldings held vertically 0.8" (20 mm) thick by 6.75" (171 mm) tall on a 45° right or left miter, when using the slide lock lever (Fig. 7).

NOTE: Your saw is capable of cutting the following once a special setup procedure is followed. Refer to **Special Cuts**.

0° miter	Height 1.5" (38 mm)	Width 16.1" (409 mm)
45° miter	Height 1.5" (38 mm)	Width 11.7" (297 mm)

DRIVE	
120 V motor	
1600 watts in	15 amp motor
3800 RPM	Cut helical gears
Multi-V belt	Roller bearings
Automatic electric brake	Carbide blade

Familiarization

Your miter saw is fully assembled in the carton. Open the box and lift the saw out by the convenient lifting handle, as shown in Figure 2.

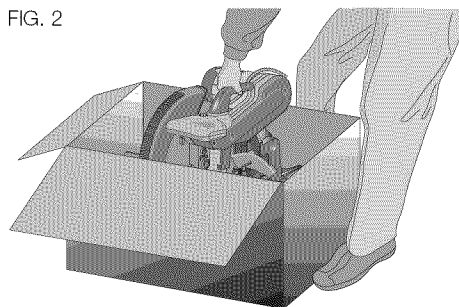
Place the saw on a smooth, flat surface such as a workbench or strong table.

Examine Figure 4 to become familiar with the saw and its various parts. The section on adjustments will refer to these terms and you must know what and where the parts are.

CAUTION: Pinch hazard. To reduce the risk of injury, keep thumb underneath the operating handle when pulling the handle down. The lower guard will move up as the operating handle is pulled down, which could cause pinching. The operating handle is placed close to the guard for special cuts.

Press down lightly on the operating handle and pull out the lock down pin. Gently release the downward pressure and hold the operating handle, allowing it to rise to its full height. Use the lock down pin when carrying the saw from one place to another. Always use the lifting handle to transport the saw, or use the hand indentations shown in Figure 4.

FIG. 2



Bench Mounting

Holes are provided in all 4 feet to facilitate bench mounting, as shown in Figure 4. (Two different-sized holes are provided to accommodate different sizes of screws. Use either hole, it is not necessary to use both.) Always mount your saw firmly to a stable surface to prevent movement. To enhance the tool's portability, it can be mounted to a piece of 1/2" (12.7 mm) or thicker plywood which can then be clamped to your work support or moved to other job sites and reclamped.

NOTE: If you elect to mount your saw to a piece of plywood, make sure that the mounting screws don't protrude from the bottom of the wood. The plywood must sit flush on the work support. When clamping the saw to any work surface, clamp only on the clamping bosses where the mounting screw holes are located. Clamping at any other point will interfere with the proper operation of the saw.

CAUTION: To prevent binding and inaccuracy, be sure the mounting surface is not warped or otherwise uneven. If the saw rocks on the surface, place a thin piece of material under one saw foot until the saw sits firmly on the mounting surface.

IMPORTANT SAFETY INSTRUCTIONS

Changing or Installing a New Saw Blade (Fig. 3)

WARNING: To reduce the risk of injury, turn unit off and disconnect it from power source before installing and removing accessories, before adjusting or when making repairs. An accidental start-up can cause injury.

CAUTION:

- Never depress the spindle lock button while the blade is under power or coasting.

- Do not cut ferrous metal (containing iron or steel) or masonry or fiber cement product with this miter saw.

Removing the Blade (Fig. 3)

1. Unplug the saw.
2. Raise the arm to the upper position and raise the lower guard (A) as far as possible.
3. Loosen, but do not remove guard bracket screw (B) until the bracket can be raised far enough to access the blade screw (E). Lower guard will remain raised due to the position of the guard bracket screw.
4. Depress the spindle lock button (C) while carefully rotating the saw blade by hand until the lock engages.
5. Keeping the button depressed, use the other hand and the wrench provided (D) to loosen the blade screw. (Turn clockwise, left-hand threads.)
6. Remove the blade screw (E), outer clamp washer (F), blade (G) and blade adapter (H), if used. The inner clamp washer (I) may be left on the spindle.

NOTE: For blades with a blade hole of 5/8" (15.88 mm), the 1" (25.4 mm) blade adapter (H) is not used.

Installing a Blade (Fig. 3)

1. Unplug the saw.
2. With the arm raised, the lower guard held open and the guard bracket raised, place the blade on the spindle, onto the blade adapter (if using a blade with a 1" [25.4 mm] diameter blade hole) and against the inner blade clamp with the teeth at the bottom of the blade pointing toward the back of the saw.
3. Assemble the outer clamp washer onto the spindle.
4. Install the blade screw and, engaging the spindle lock, tighten the screw firmly with wrench provided (turn counterclockwise, left-hand threads).

NOTE: When using blades with a 5/8" (15.88 mm) diameter blade hole, the blade adapter will not be used and should be stored in a safe place for future use. The separate blade adapter is not available on all models.

5. Return the guard bracket to its original position and firmly tighten the guard bracket screw to hold bracket in place.

WARNING:

- The guard bracket must be returned to its original position and the guard bracket screw tightened before activating the saw.
- Failure to do so may allow the guard to contact the spinning saw blade resulting in damage to the saw and severe personal injury.

Transporting the Saw

WARNING: To reduce the risk of injury, turn unit off and disconnect it from power source before installing and removing accessories, before adjusting or when making repairs. An accidental start-up can cause injury.

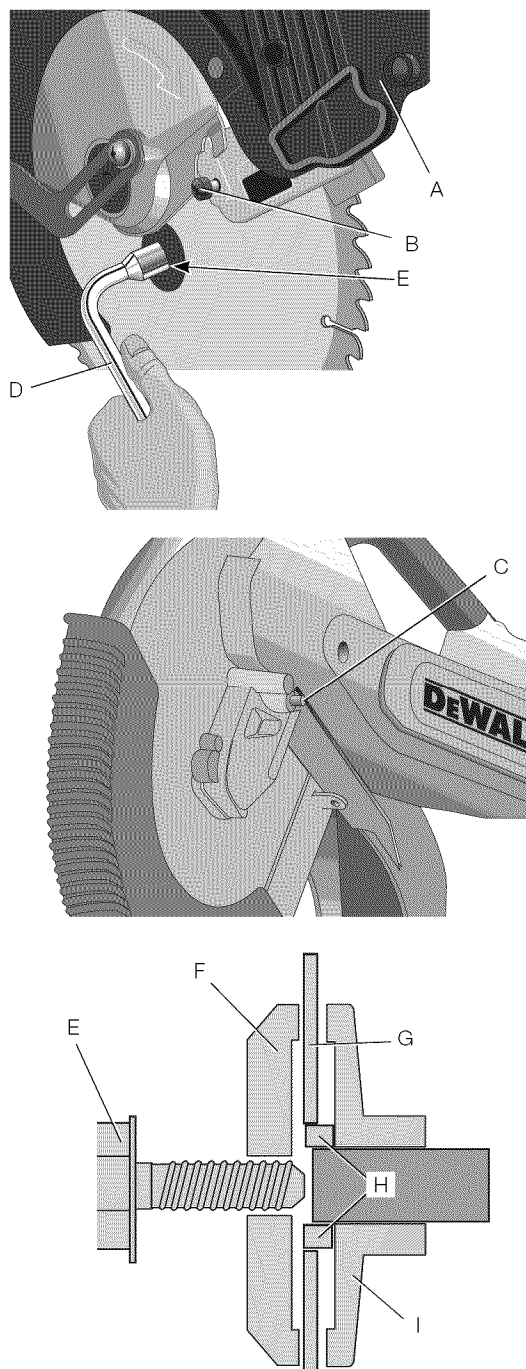
WARNING: To reduce the risk of serious personal injury, ALWAYS lock the rail lock knob, miter lock handle, bevel lock handle, lock down pin and fence adjustment knobs before transporting saw.

In order to conveniently carry the miter saw from place to place, a lifting handle has been included on the top of the saw arm and hand indentations in the base, as shown in Figure 4.

FEATURES AND CONTROLS

WARNING: To reduce the risk of injury, turn unit off and disconnect it from power source before installing and removing accessories, before adjusting or when making repairs. An accidental start-up can cause injury.

FIG. 3

**MITER CONTROL (FIG. 5)**

The miter lock handle and miter latch button allow you to miter your saw to 60° right and 50° left. To miter the saw, lift the miter lock handle, push the miter latch button and set the miter angle desired on the miter scale. Push down on the miter lock handle to lock the miter angle.

TRIGGER SWITCH (FIG. 4)

The trigger switch turns your saw on and off. A hole is provided in the trigger for insertion of a padlock to secure the saw.

MITER LATCH OVERRIDE (FIG. 5)

The miter latch override allows your saw to override the common stop angles. To override the common stop angles, push the miter latch button and flip the miter latch override lever to the vertical position.

BEVEL LOCK KNOB (FIG. 4)

The bevel lock allows you to bevel the saw 49° left or right. To adjust the bevel setting, turn the knob counterclockwise. The saw head bevels easily to the left or to the right once the 0° bevel override knob is pulled. To tighten, turn the bevel lock knob clockwise.

0° BEVEL STOP OVERRIDE (FIG. 4)

The bevel stop override allows you to bevel the saw to the right past the 0° mark.

When engaged, the saw will automatically stop at 0° when brought up from the left. To temporarily move past 0° to the right, pull the bevel lock knob. Once the knob is released, the override will be reengaged. The bevel lock knob can be locked out by twisting the knob 180°.

When at 0°, the override locks in place. To operate the override, bevel the saw slightly to the left.

45° BEVEL STOP OVERRIDE (FIG. 6)

There are two bevel stop override levers, one on each side of the saw. To bevel the saw, left or right, past 45°, push the 45° bevel override lever rearward. When in the rearward position, the saw can bevel past these stops. When the 45° stops are needed, pull the 45° bevel override lever forward.

CROWN BEVEL PAWLS (FIG. 6)

When cutting crown molding laying flat, your saw is equipped to accurately and rapidly set a crown stop, left or right (refer to *Instructions for Cutting Crown Molding Laying Flat and Using the Compound Features*). The crown bevel pawl can be rotated to contact the crown adjustment screw. The saw is factory set to be used for typical crown in North America (52/38), but can be reversed to cut non-typical (45/45) crown. To reverse the crown bevel pawl, remove the retaining screw, the 22.5° bevel pawl and the 33.9° crown bevel pawl. Flip the crown bevel pawl so the 30° text is facing up. Reattach the screw to secure the 22.5° bevel pawl and the crown bevel pawl. The accuracy setting will not be affected.

22.5° BEVEL PAWLS (FIG. 6)

Your saw is equipped to rapidly and accurately set a 22.5° bevel, left or right. The 22.5° bevel pawl can be rotated to contact the crown adjustment screw.

RAIL LOCK KNOB (FIG. 4)

The rail lock knob allows you to lock the saw head firmly to keep it from sliding on the rails. This is necessary when making certain cuts or when transporting the saw.

DEPTH STOP (FIG. 4)

The depth stop allows the depth of cut of the blade to be limited. The stop is useful for applications such as grooving and tall vertical cuts. Rotate the depth stop forward and adjust the depth adjustment screw to set the desired depth of cut. To secure the adjustment, tighten the wing nut. Rotating the depth stop to the rear of the saw will bypass the depth stop feature. If the depth adjustment screw is too tight to loosen by hand, the provided blade wrench can be used to loosen the screw.

LOCK DOWN PIN (FIG. 4)

▲WARNING: The lock down pin should be used *ONLY* when carrying or storing the saw. *NEVER* use the lock down pin for any cutting operation.

To lock the saw head in the down position, push the saw head down, push the lock down pin in and release the saw head. This will hold the saw head safely down for moving the saw from place to place. To release, press the saw head down and pull the pin out.

SLIDE LOCK LEVER (FIG. 7)

The slide lock lever places the saw in a position to maximize cutting of base molding when cut vertically as shown in Figure 16.

AUTOMATIC ELECTRIC BRAKE

Your saw is equipped with an automatic electric blade brake which stops the saw blade within 5 seconds of trigger release. This is not adjustable.

On occasion, there may be a delay after trigger release to brake engagement. On rare occasions, the brake may not engage at all and the blade will coast to a stop.

If a delay or “skipping” occurs, turn the saw on and off 4 or 5 times. If the condition persists, have the tool serviced by an authorized DEWALT service center.

Always be sure the blade has stopped before removing it from the kerf. The brake is not a substitute for guards or for ensuring your own safety by giving the saw your complete attention.

OPERATION

▲WARNING: To reduce the risk of injury, turn unit off and disconnect it from power source before installing and removing accessories, before adjusting or when making repairs. An accidental start-up can cause injury.

FIG. 4

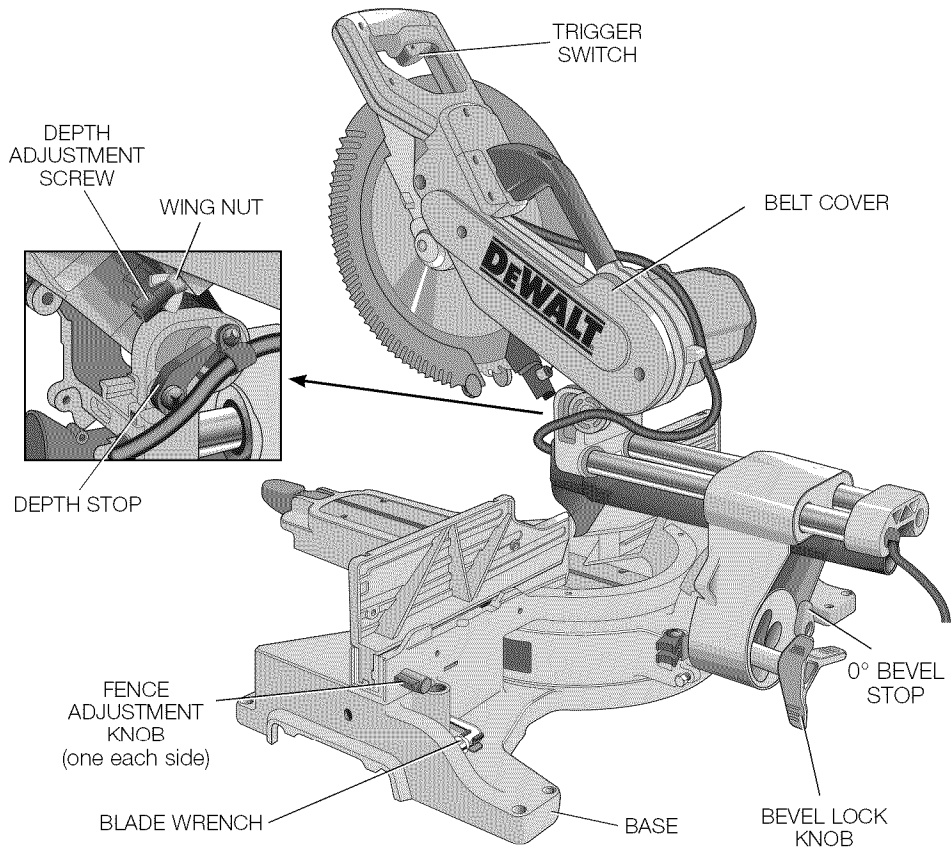
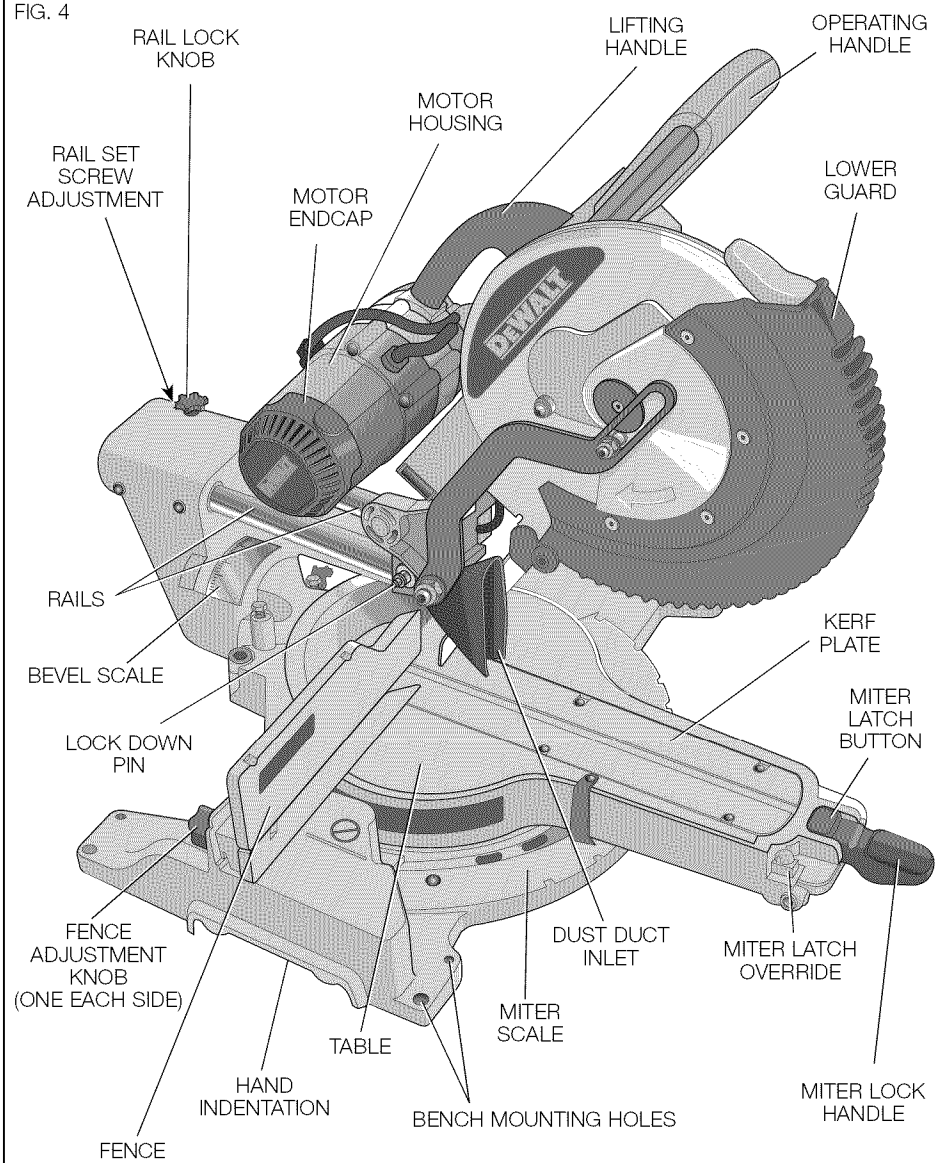


FIG. 5

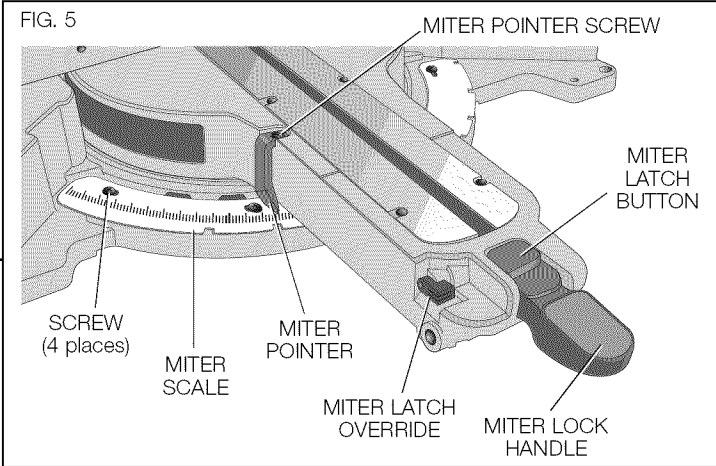


FIG. 6

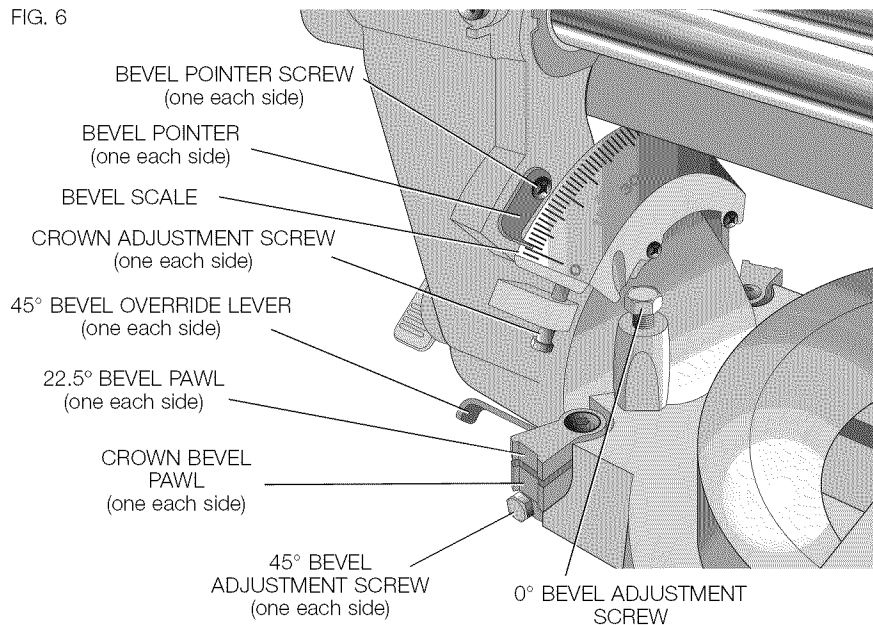


FIG. 7

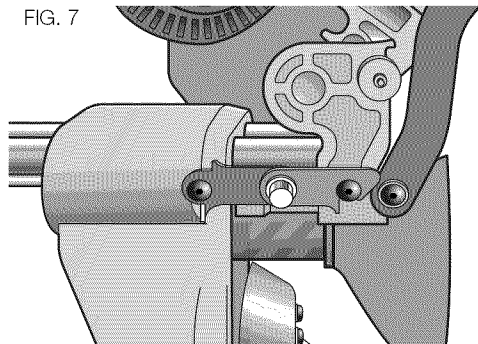
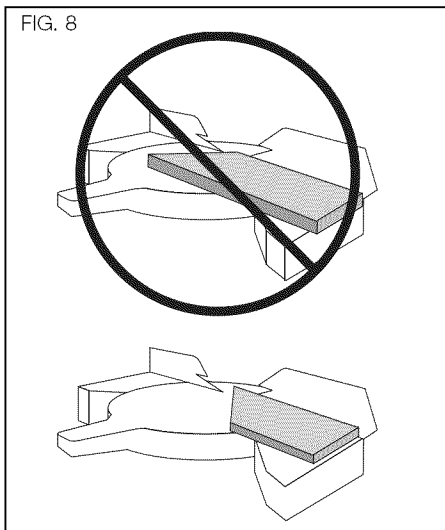


FIG. 8



⚠WARNING: Always use eye protection. All users and bystanders must wear eye protection that conforms to ANSI Z87.1 (CAN/CSA Z94.3).

Plug the saw into any household 60 Hz power source. Refer to the nameplate for voltage. Be sure the cord will not interfere with your work.

Trigger Switch (Fig. 4)

To turn the saw on, depress the trigger switch. To turn the tool off, release the switch. Allow the blade to spin up to full operating speed before making the cut. Release the trigger switch and allow the brake to stop the blade before raising the saw head. There is no provision for locking the switch on, but a hole is provided in the trigger for insertion of a padlock to lock the saw off.

Cutting With Your Saw

If the slide feature is not used, ensure the saw head is pushed back as far as possible and the rail lock knob is tightened. This will prevent the saw from sliding along its rails as the workpiece is engaged.

NOTE: Although this saw will cut wood and many non-ferrous materials, we will limit our detailed discussion to the cutting of wood only. The same guidelines apply to the other materials. **DO NOT CUT FERROUS (IRON AND STEEL) MATERIALS OR MASONRY WITH THIS SAW.** Do not use any abrasive blades.

NOTE: Refer to **Guard Actuation and Visibility** in the **Adjustments** section for important information about the lower guard before cutting.

CROSSCUTS

A crosscut is made by cutting wood across the grain at any angle. A straight crosscut is made with the miter arm at the zero degree position. Set and lock the miter arm at zero, hold the wood firmly on the table and against the fence. With the rail lock knob tightened, turn on the saw by squeezing the trigger switch shown in Figure 4.

When the saw comes up to speed (about 1 second) lower the arm smoothly and slowly to cut through the wood. Let the blade come to a full stop before raising arm.

When cutting anything larger than a 2 x 8 (51 x 203 mm [2 x 6 (51 x 152) at 45° miter]) use an out-down-back motion with the rail lock knob loosened. Pull the saw out, toward you, lower the saw head down toward the workpiece, and slowly push the saw back to complete the cut. Do not allow the saw to contact the top of the workpiece while pulling out. The saw may run toward you, possibly causing personal injury or damage to the workpiece.

Cutting of multiple pieces is not recommended but can be done safely by ensuring that each piece is held firmly against the table and fence.

NOTE: To provide greater crosscut capacity with reduced stroke, the blade on the DWS782 extends deeper into the table. As a result, a greater lifting force on the workpiece may be experienced during the cut.

⚠WARNING: Always use a work clamp to maintain control and reduce the risk of workpiece damage and personal injury, if your hands are required to be within 6" (152 mm) of the blade during the cut.

NOTE: The rail lock knob shown in Figure 4 must be loose to allow the saw to slide along its rails.

Miter crosscuts are made with the miter arm at some angle other than zero. This angle is often 45° for making corners, but can be set anywhere from zero to 50° left or 60° right. Make the cut as described above.

When performing a miter cut on workpieces wider than a 2 x 6 that are shorter in length, always place the longer side against the fence (Fig. 8).

To cut through an existing pencil line on a piece of wood, match the angle as close as possible. Cut the wood a little too long and measure from the pencil line to the cut edge to determine which direction to adjust the miter angle and recut. This will take some practice, but it is a commonly used technique.

BEVEL CUTS

A bevel cut is a crosscut made with the saw blade leaning at an angle to the wood. In order to set the bevel, loosen the bevel lock (Fig. 4), and move the saw to the left or right as desired. (It is necessary to move the fence to allow clearance.) Once the desired bevel angle has been set, tighten the bevel lock firmly. Refer to the **Features and Controls** section for detailed instructions on the bevel system.

Bevel angles can be set from 49° right to 49° left and can be cut with the miter arm set between 50° left or 60° right. At some extreme angles, the right or left side fence might have to be removed. To remove the left or right fence, unscrew the fence adjustment knob several turns and slide the fence out.

NOTE: Refer to **Fence Adjustment** in the **Adjustments** section for important information on adjusting the fences for certain bevel cuts.

QUALITY OF CUT

The smoothness of any cut depends on a number of variables. Things like material being cut, blade type, blade sharpness and rate of cut all contribute to the quality of the cut.

When smoothest cuts are desired for molding and other precision work, a sharp (60 tooth carbide) blade and a slower, even cutting rate will produce the desired results.

Ensure that the material does not move or creep while cutting; clamp it securely in place. Always let the blade come to a full stop before raising arm.

If small fibers of wood still split out at the rear of the workpiece, stick a piece of masking tape on the wood where the cut will be made. Saw through the tape and carefully remove tape when finished.

For varied cutting applications, refer to the list of recommended saw blades for your saw and select the one that best fits your needs. Refer to **Saw Blades** under **Optional Accessories**.

BODY AND HAND POSITION (FIG. 9A, 9B)

Proper positioning of your body and hands when operating the miter saw will make cutting easier, more accurate and safer. Never place hands near cutting area. Place hands no closer than 6" (152 mm) from the blade. Hold the workpiece tightly to the table and the fence when cutting. Keep hands in position until the trigger has been released and the blade has completely stopped. **ALWAYS MAKE DRY RUNS (UNPOWERED) BEFORE FINISH CUTS SO THAT YOU CAN CHECK THE PATH OF THE BLADE. DO NOT CROSS HANDS, AS SHOWN IN FIGURE 9B.**

Keep both feet firmly on the floor and maintain proper balance. As you move the miter arm left and right, follow it and stand slightly to the side of the saw blade. Sight through the guard louvers when following a pencil line.

CLAMPING THE WORKPIECE

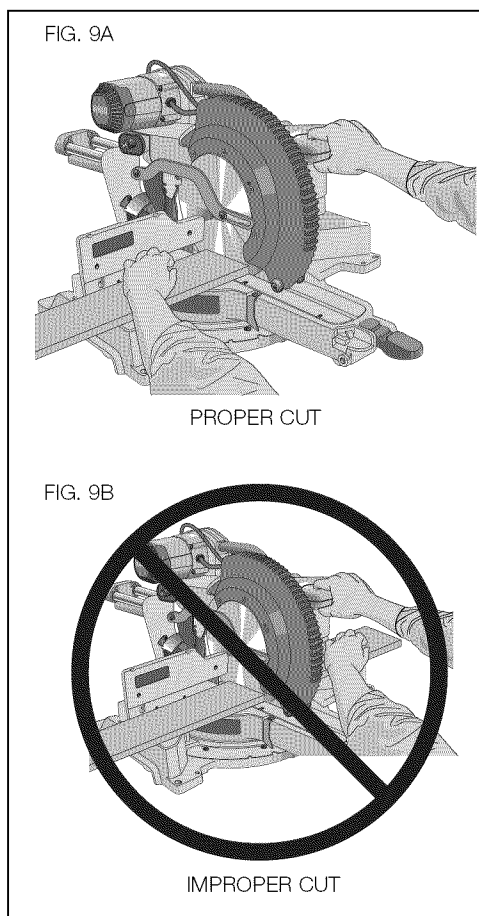
⚠ WARNING: To reduce the risk of injury, turn unit off and disconnect it from power source before installing

and removing accessories, before adjusting or when making repairs. An accidental start-up can cause injury.

⚠ WARNING: A workpiece that is clamped, balanced and secure before a cut may become unbalanced after a cut is completed. An unbalanced load may tip the saw or anything the saw is attached to, such as a table or workbench. When making a cut that may become unbalanced, properly support the workpiece and ensure the saw is firmly bolted to a stable surface. Personal injury may occur.

⚠ WARNING: The clamp foot must remain clamped above the base of the saw whenever the clamp is used. Always clamp the workpiece to the base of the saw – not to any other part of the work area. Ensure the clamp foot is not clamped on the edge of the base of the saw.

⚠ CAUTION: Always use a work clamp to maintain control and reduce the risk of workpiece damage and personal injury, if your hands are required to be within 6" of the blade during the cut.



If you cannot secure the workpiece on the table and against the fence by hand (irregular shape, etc.), or your hand would be less than 6" (152 mm) from the blade, a clamp or other fixture must be used.

Use the material clamp provided with your saw. To purchase the material clamp, contact your local retailer or DEWALT service center.

Other aids such as spring clamps, bar clamps or C-clamps may be appropriate for certain sizes and shapes of material. Use care in selecting and placing these clamps. Take time to make a dry run before making the cut. The left or right fence will slide from side to side to aid in clamping.

TO INSTALL CLAMP

1. Insert it into the hole behind the fence. The clamp should be facing toward the back of the miter saw. The groove on the clamp rod should be fully inserted into the base. Ensure this groove is fully inserted into the base of the miter saw. If the groove is visible, the clamp will not be secure.
2. Rotate the clamp 180° toward the front of the miter saw.
3. Loosen the knob to adjust the clamp up or down, then use the fine adjust knob to firmly clamp the workpiece.

NOTE: Place the clamp on the opposite side of the base when beveling. **ALWAYS MAKE DRY RUNS (UNPOWERED) BEFORE FINISH CUTS TO CHECK THE PATH OF THE BLADE. ENSURE THE CLAMP DOES NOT INTERFERE WITH THE ACTION OF THE SAW OR GUARDS.**

ADJUSTMENTS

⚠ WARNING: To reduce the risk of injury, turn unit off and disconnect it from power source before installing and removing accessories, before adjusting or when making repairs. An accidental start-up can cause injury.

Your miter saw is fully and accurately adjusted at the factory at the time of manufacture. If readjustment due to shipping and handling or any other reason is required, follow the instructions below to adjust your saw.

Once made, these adjustments should remain accurate. Take a little time now to follow these directions carefully to maintain the accuracy of which your saw is capable.

MITER SCALE ADJUSTMENT (FIG. 5, 10)

Lock the arm in the down position. Unlock the miter lock handle and swing the miter arm until the miter latch button locks it at the 0° miter position. Do not lock the miter lock handle. Place a square against the saw's fence and blade, as shown. (Do not touch the tips of the blade teeth with the square. To do so will cause an inaccurate measurement.) If the saw blade is not exactly perpendicular to the fence, loosen the four screws that hold the miter scale and move the miter lock handle and the scale left or right until the blade is perpendicular to the fence, as measured with the square. Retighten the four screws. Pay no attention to the reading of the miter pointer at this time.

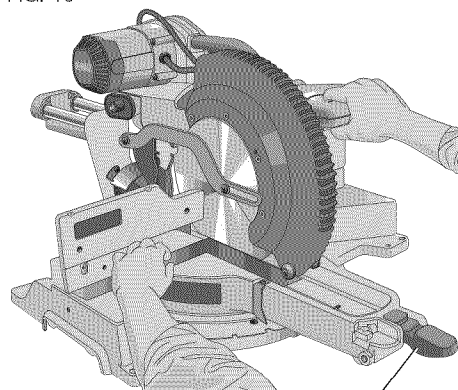
MITER POINTER ADJUSTMENT (FIG. 5)

Unlock the miter lock handle to move the miter arm to the zero position. With the miter lock handle unlocked, allow the miter latch to snap into place as you rotate the miter arm to zero. Observe the miter pointer and miter scale shown in Figure 5. If the pointer does not indicate exactly zero, loosen the miter pointer screw holding the pointer in place, reposition the pointer and tighten the screw.

BEVEL SQUARE TO TABLE ADJUSTMENT (FIG. 4, 6, 11)

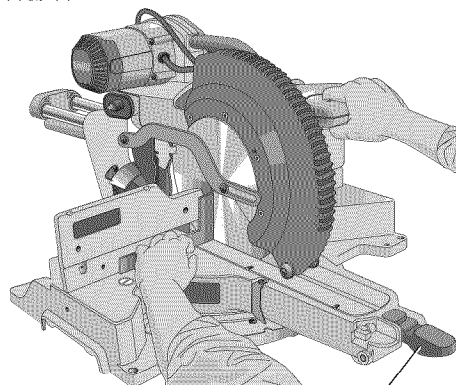
To align the blade square to the table, lock the arm in the down position with the lock down pin. Place a square against the blade, ensuring the square is not on top of a tooth. Loosen the bevel lock knob and ensure the arm is firmly against the 0° bevel stop. Rotate the 0° bevel adjustment screw with the 1/2" (13 mm) blade wrench as necessary so that the blade is at 0° bevel to the table, as measured with the square.

FIG. 10



MITER LOCK HANDLE

FIG. 11



MITER LOCK HANDLE

BEVEL POINTERS (FIG. 6)

If the bevel pointers do not indicate zero, loosen each screw that holds each bevel pointer in place and move them as necessary. Ensure the 0° bevel is correct and the bevel pointers are set before adjusting any other bevel angle screws.

BEVEL STOP 45° RIGHT AND LEFT ADJUSTMENT (FIG. 4, 6)

To adjust the right 45° bevel angle, loosen the bevel lock knob and pull the 0° bevel stop to override the 0° bevel stop. When the saw is fully to the right, if the bevel pointer does not indicate exactly 45°, turn the left 45° bevel adjustment screw with the 1/2" (13 mm) blade wrench until the bevel pointer indicates 45°.

To adjust the left 45° bevel stop, first loosen the bevel lock knob and tilt the head to the left. If the bevel pointer does not indicate exactly 45°, turn the right 45° bevel adjustment screw until the bevel pointer reads 45°.

ADJUSTING THE BEVEL STOP TO 22.5° (OR 33.9°) (FIG. 4, 6)

NOTE: Adjust the bevel angles only after performing the 0° bevel angle and bevel pointer adjustment.

To set the left 22.5° bevel angle, flip out the left 22.5° bevel pawl. Loosen the bevel lock knob and tilt the head fully to the left. If the bevel pointer does not indicate exactly 22.5°, turn the crown adjustment screw contacting the pawl with a 7/16" (10 mm) wrench until the bevel pointer reads 22.5°.

To adjust the right 22.5° bevel angle, flip out the right 22.5° bevel pawl. Loosen the bevel lock knob and pull the 0° bevel stop to override the 0° bevel stop. When the saw is fully to the

right, if the bevel pointer does not indicate exactly 22.5°, turn the crown adjustment screw contacting the pawl with a 7/16" (10 mm) wrench until the bevel pointer indicates exactly 22.5°.

FENCE ADJUSTMENT (FIG. 4)

In order that the saw can bevel to many bevel positions, one of the fences may have to be adjusted to provide clearance. To adjust each fence, loosen the fence adjustment knob and slide the fence outward. Make a dry run with the saw turned off and check for clearance. Adjust the fence to be as close to the blade as practical to provide maximum workpiece support, without interfering with arm up and down movement. Tighten the fence adjustment knob securely. When the bevel operations are complete, don't forget to relocate the fence.

For certain cuts, it may be desirable to bring the fences closer to the blade. To use this feature, back the fence adjustment knobs out two turns and move the fences closer to the blade past the normal limit, then tighten the fence adjustment knobs to keep the fences in this location. When using this feature, make a dry cut first to ensure the blade does not contact the fences.

NOTE: The tracks of the fences can become clogged with sawdust. If you notice that they are becoming clogged, use a brush or some low pressure air to clear the guide grooves.

GUARD ACTUATION AND VISIBILITY (FIG. 4)

CAUTION: Pinch hazard. To reduce the risk of injury, keep thumb underneath the operating handle when pulling the handle down. The lower guard will move up as the operating handle is pulled down, which could cause pinching.

The lower guard on your saw has been designed to automatically uncover the blade when the arm is brought down and to cover the blade when the arm is raised.

The guard can be raised by hand when installing or removing saw blades or for inspection of the saw. NEVER RAISE THE LOWER GUARD MANUALLY UNLESS THE BLADE IS STOPPED.

NOTE: Certain special cuts of large material will require that you manually raise the guard. Refer to **Cutting Large Material** under **Special Cuts**.

The front section of the guard is louvered for visibility while cutting. Although the louvers dramatically reduce flying debris, they are openings in the guard and safety glasses should be worn at all times.

KERF PLATE ADJUSTMENT (FIG. 4)

To adjust the kerf plates, loosen the screws holding the kerf plates in place. Adjust so that the kerf plates are as close as possible without interfering with the blade's movement.

If a zero kerf width is desired, adjust the kerf plates as close to each other as possible. They can now be cut slowly with the saw blade to give the smallest gap possible between the blade and the kerf plates.

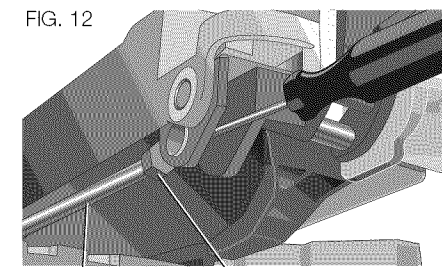
RAIL GUIDE ADJUSTMENT (FIG. 4)

Periodically check the rails for any play or clearance. The right rail can be adjusted with the set screw shown in Figure 4. To reduce clearance, use a 4 mm hex wrench and rotate the set screw clockwise gradually while sliding the saw head back and forth. Reduce play while maintaining minimum slide force.

MITER LOCK ADJUSTMENT (FIG. 12)

The miter lock rod should be adjusted if the table of the saw can be moved when the miter lock handle is locked (down). To adjust the miter lock, put the miter lock handle in the unlocked (up) position. Using a 1/2" (13 mm) open end wrench, loosen the lock nut on the miter lock rod (Fig. 12). Using a slotted screwdriver, tighten the miter lock rod by turning it clockwise as shown in Figure 12. Turn the lock rod until it is snug, then turn

FIG. 12



MITER LOCK ROD

LOCK NUT

counterclockwise one turn. To ensure the miter lock is functioning properly, re-lock the miter lock to a non-detented measurement on the miter scale – for example, 34° – and make sure the table will not rotate. Tighten lock nut.

Support for Long Pieces

⚠WARNING: To reduce the risk of injury, turn unit off and disconnect it from power source before installing and removing accessories, before adjusting or when making repairs. An accidental start-up can cause injury.

ALWAYS SUPPORT LONG PIECES.

Never use another person as a substitute for a table extension, as additional support for a workpiece that is longer or wider than the basic miter saw table or to help feed, support or pull the workpiece.

For best results, use the DW7080 extension work support to extend the table width of your saw, available from your dealer at extra cost. Support long workpieces using any convenient means such as sawhorses or similar devices to keep the ends from dropping.

Cutting Picture Frames, Shadow Boxes And Other Four-Sided Projects (Fig. 13, 14)

To best understand how to make the items listed here, we suggest that you try a few simple projects using scrap wood until you develop a “feel” for your saw.

Your saw is the perfect tool for mitering corners like the one shown in Figure 13. Sketch A in Figure 14 shows a joint made by using the bevel adjustment to bevel the edges of the two boards at 45° each to produce a 90° corner. For this joint the miter arm was locked in the zero position and the bevel adjustment was locked at 45°. The wood was positioned with the broad flat side against the table and the narrow edge against the fence. The cut could also be made by mitering right and left with the broad surface against the fence.

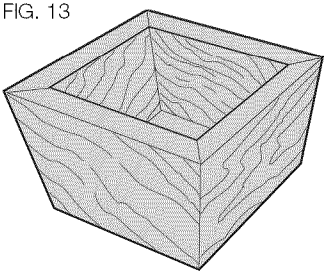


FIG. 13

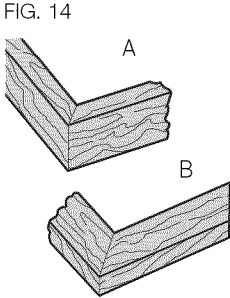


FIG. 14

Cutting Trim Molding And Other Frames (Fig. 14)

Sketch B in Figure 14 shows a joint made by setting the miter arm at 45° to miter the two boards to form a 90° corner. To make this type of joint, set the bevel adjustment to zero and the miter arm to 45°. Once again, position the wood with the broad flat side on the table and the narrow edge against the fence.

The two sketches in Figure 14 are for four-sided objects only.

As the number of sides changes, so do the miter and bevel angles. The chart below gives the proper angles for a variety of shapes.

– EXAMPLES –

NUMBER OF SIDES	MITER OR BEVEL ANGLE
4	45°
5	36°
6	30°
7	25.7°
8	22.5°
9	20°
10	18°

The chart assumes that all sides are of equal length. For a shape that is not shown in the chart, use the following formula: 180° divided by the number of sides equals the miter (if the material is cut vertically) or bevel angle (if the material is cut laying flat).

Cutting Compound Miters (Fig. 15)

A compound miter is a cut made using a miter angle and a bevel angle at the same time. This is the type of cut used to make frames or boxes with slanting sides like the one shown in Figure 15.

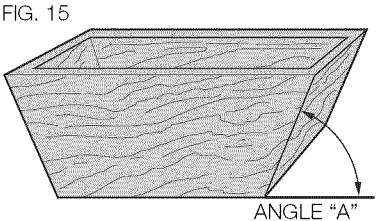


FIG. 15

NOTE: If the cutting angle varies from cut to cut, check that the bevel lock knob and the miter lock handle are securely locked. These must be locked after making any changes in bevel or miter.

The chart at the end of this manual (Table 1) will assist you in selecting the proper bevel and miter settings for common compound miter cuts. To use the chart, select the desired angle A (Fig. 15) of your project and locate that angle on the appropriate arc in the chart. From that point follow the chart straight down to find the correct bevel angle and straight across to find the correct miter angle.

Set your saw to the prescribed angles and make a few trial cuts. Practice fitting the cut pieces together until you develop a feel for this procedure and feel comfortable with it.

Example: To make a 4-sided box with 26° exterior angles (Angle A, Fig. 15), use the upper right arc. Find 26° on the arc scale. Follow the horizontal intersecting line to either side to get miter angle setting on saw (42°). Likewise, follow the vertical intersecting line to the top or bottom to get the bevel angle setting on the saw (18°). Always try cuts on a few scrap pieces of wood to verify the settings on the saw.

Cutting Base Molding (Fig. 16)

ALWAYS MAKE A DRY RUN WITHOUT POWER BEFORE MAKING ANY CUTS.

Straight 90° cuts:

Position the wood against the fence and hold it in place as shown in Figure 16. Turn on the saw, allow the blade to reach full speed and lower the arm smoothly through the cut.

CUTTING BASE MOLDING FROM 3" UP TO 6.75" (76 mm to 171 mm) HIGH VERTICALLY AGAINST THE FENCE

NOTE: Use the slide lock lever, shown in Figure 7, when cutting base molding measuring from 3" to 6.75" (76 mm to 171 mm) high vertically against the fence.

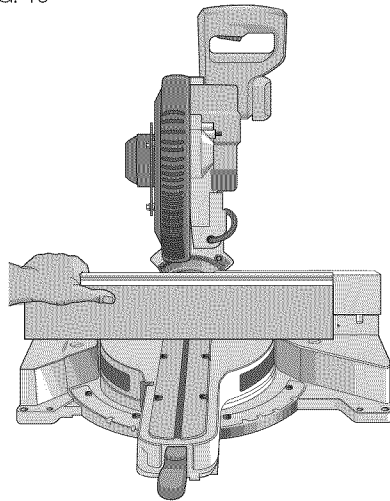
Position material as shown in Figure 16.

All cuts should be made with the back of the molding against the fence and with the bottom of the molding against the table.

	INSIDE CORNER	OUTSIDE CORNER
Left side	Miter left 45° Save left side of cut	Miter right 45° Save left side of cut
Right side	Miter right 45° Save right side of cut	Miter left 45° Save right side of cut

Material up to 6.75" (171 mm) can be cut as described above.

FIG. 16



Cutting Crown Molding

Your miter saw is well suited to the task of cutting crown molding. In order to fit properly, crown molding must be compound mitered with extreme accuracy.

The two flat surfaces on a given piece of crown molding are at angles that, when added together, equal exactly 90°. Most, but not all, crown molding has a top rear angle (the section that fits flat against the ceiling) of 52° and a bottom rear angle (the part that fits flat against the wall) of 38°.

Your miter saw has special pre-set miter latch points at 31.62° left and right for cutting crown molding at the proper angle and bevel stop pawls at 33.9° left and right. There is also a mark on the bevel scale at 33.9°.

The chart below gives the proper settings for cutting crown molding. (The numbers for the miter and bevel settings are very precise and are not easy to accurately set on your saw.) Since most rooms do not have angles of precisely 90°, you will have to fine tune your settings anyway.

PRETESTING WITH SCRAP MATERIAL IS EXTREMELY IMPORTANT!

INSTRUCTIONS FOR CUTTING CROWN MOLDING LAYING FLAT AND USING THE COMPOUND FEATURES

1. Molding should lay flat with broad back surface down on saw table (Fig. 17).
2. Top of molding against fence.
3. The settings below are for all standard (U.S.) crown molding with 52° and 38° angles.

	INSIDE CORNER	OUTSIDE CORNER
Left side	Bevel left 33.9° Miter table set at right 31.62° Save left end of cut	Bevel right 33.9° Miter table set at left 31.62° Save left end of cut
Right side	Bevel right 33.9° Miter table set at left 31.62° Save right end of cut	Bevel left 33.9° Miter table set at right 31.62° Save right end of cut

When setting bevel and miter angles for all compound miters, remember that:

The angles presented for crown moldings are very precise and difficult to set exactly. Since they can easily shift slightly and very few rooms have exactly square corners, all settings should be tested on scrap molding.

FIG. 17

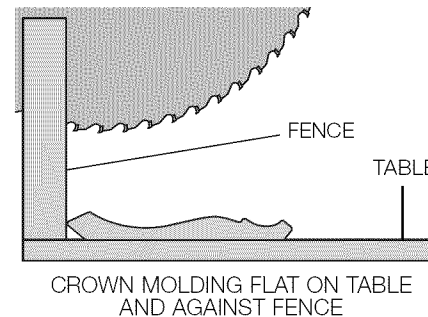
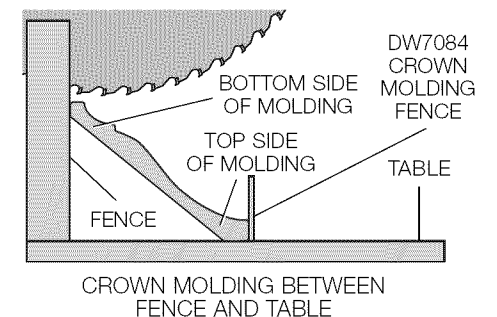


FIG. 18



PRETESTING WITH SCRAP MATERIAL IS EXTREMELY IMPORTANT!

ALTERNATIVE METHOD FOR CUTTING CROWN MOLDING

Place the molding on the table at an angle between the fence and the saw table, as shown in Figure 18. Use of the crown molding fence accessory (DW7084) is highly recommended because of its degree of accuracy and convenience (Fig. 1). The crown molding fence accessory is available for purchase from your local dealer.

The advantage to cutting crown molding using this method is that no bevel cut is required. Minute changes in the miter angle can be made without affecting the bevel angle. This way, when corners other than 90° are encountered, the saw can be quickly and easily adjusted for them. Use the crown molding fence accessory to maintain the angle at which the molding will be on the wall.

INSTRUCTIONS FOR CUTTING CROWN MOLDING ANGLED BETWEEN THE FENCE AND BASE OF THE SAW FOR ALL CUTS

1. Angle the molding so the bottom of the molding (part which goes against the wall when installed) is against the fence and the top of the molding is resting on the saw table, as shown in Figure 18.
2. The angled "flats" on the back of the molding must rest squarely on the fence and saw table.

	INSIDE CORNER	OUTSIDE CORNER
Left side	Miter right at 45° Save right side of cut	Miter left at 45° Save right side of cut
Right side	Miter left at 45° Save left side of cut	Miter right at 45° Save left side of cut

Special Cuts

NEVER MAKE ANY CUT UNLESS THE MATERIAL IS SECURED ON THE TABLE AND AGAINST THE FENCE.

ALUMINUM CUTTING (FIG. 19, 20)

ALWAYS USE THE APPROPRIATE SAW BLADE MADE ESPECIALLY FOR CUTTING ALUMINUM. These are available at your local DEWALT retailer or DEWALT service center. Certain workpieces, due to their size, shape or surface finish, may require the use of a clamp or fixture to prevent movement during the cut. Position the material so that you will be cutting the thinnest cross section, as shown in Figure 19. Figure 20 illustrates the wrong way to cut these extrusions.

Use a stick wax cutting lubricant when cutting aluminum. Apply the stick wax cutting lubricant directly to the saw blade before cutting. Never apply stick wax to a moving blade. The wax, available at most hardware stores and industrial mill supply houses, provides proper lubrication and keeps chips from adhering to the blade.

Be sure to properly secure workpiece.

Refer to **Saw Blades** under **Optional Accessories** for correct saw blade.

BOWED MATERIAL (FIG. 21, 22)

When cutting bowed material always position it as shown in Figure 21 and never like that shown in Figure 22. Positioning the material incorrectly will cause it to pinch the blade near the completion of the cut.

CUTTING PLASTIC PIPE OR OTHER ROUND MATERIAL

Plastic pipe can be easily cut with your saw. It should be cut just like wood and **CLAMPED OR HELD FIRMLY TO THE FENCE TO KEEP IT FROM ROLLING**. This is extremely important when making angle cuts.

CUTTING LARGE MATERIAL (FIG. 23)

Occasionally you will encounter a piece of wood a little too large to fit beneath the lower guard. If this occurs, simply place your right thumb on the upper side of the guard and roll the guard up just enough to clear the workpiece, as shown in Figure 23. Avoid doing this as much as possible, but if need be, the saw will operate properly and make the bigger cut. NEVER TIE, TAPE, OR OTHERWISE HOLD THE GUARD OPEN WHEN OPERATING THIS SAW.

SPECIAL SET-UP FOR WIDE CROSSCUTS (FIG. 24, 25)

Your saw can cut very wide (up to 16.1" [409 mm]) workpieces when a special set-up is used. To set the saw up for these workpieces, follow these steps:

1. Remove both left and right sliding fences from the saw and set aside. To remove them, unscrew the fence adjustment knobs several turns and slide each fence outward. Adjust and lock the miter control so that it is at 0° miter.
2. Make a platform using a piece of 1.5" (38 mm) thick particleboard or similar flat strong 1.5" thick wood to the dimensions: 14.5" x 26" (368 x 660 mm). The platform must be flat, otherwise the material could move during cutting and cause injury.

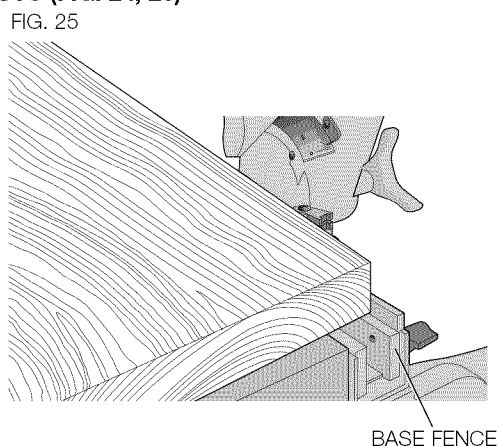
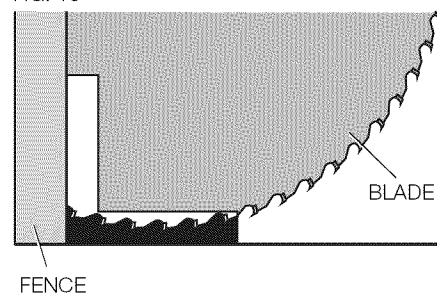
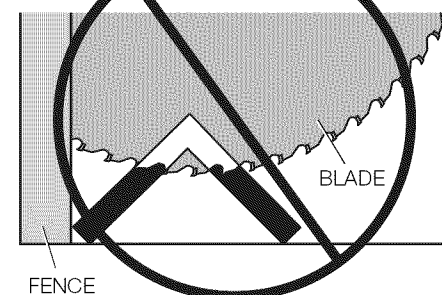


FIG. 19



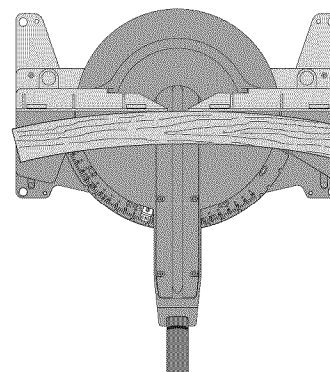
CORRECT

FIG. 20



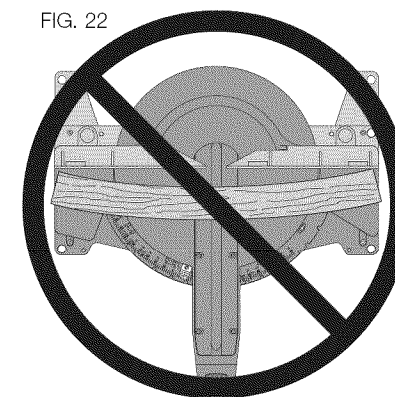
INCORRECT

FIG. 21



CORRECT

FIG. 22



INCORRECT

FIG. 23

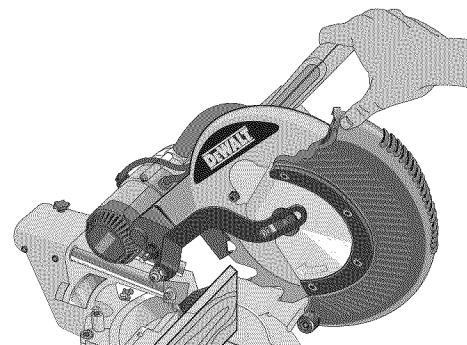
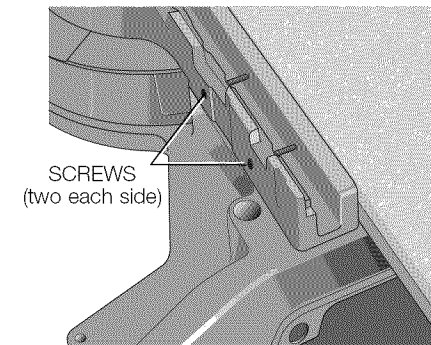


FIG. 24



- Mount the 14.5" x 26" (368 x 660 mm) platform to the saw using four 3" (76.2 mm) long wood screws through the holes in the base fence (Fig. 24). Four screws must be used to properly secure the material. When the special set-up is used, the platform will be cut into two pieces. Ensure the screws are tightened properly, otherwise material could loosen and cause injury. Ensure the platform is firmly flat on the table, against the fence, and centered evenly from left to right.

▲WARNING: Ensure the saw is mounted firmly to a stable flat surface. Failure to do so could cause the saw to be unstable and fall causing personal injury.

- Place the workpiece to be cut on top of the platform mounted to the table. Ensure the workpiece is firmly against the back of the base fence (Fig. 25).
- Secure the material before cutting. Cut slowly through the material using a out-down-and-back motion. Failure to clamp securely or cut slowly could result in the material coming loose and causing injury.

After several cuts are made at various miter angles other than 0°, the platform may weaken and not properly support the work. Install a new, unused platform to the saw after presetting the desired miter angle.

▲CAUTION: Continued use of a platform with several kerfs may cause loss of material control and possible injury.

MAINTENANCE

▲WARNING: To reduce the risk of injury, turn unit off and disconnect it from power source before installing and removing accessories, before adjusting or when making repairs. An accidental start-up can cause injury.

▲WARNING: To reduce the risk of serious personal injury, DO NOT touch the sharp points on the blade with fingers or hands while performing any maintenance.

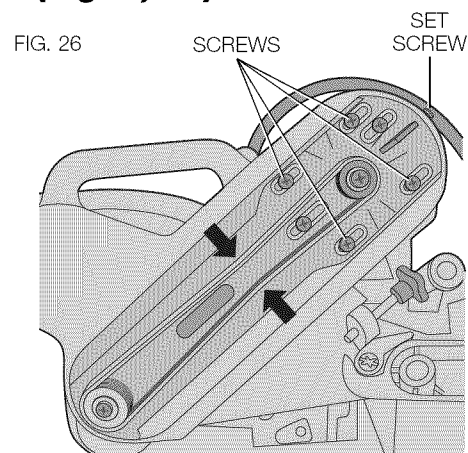
DO NOT use lubricants or cleaners (particularly spray or aerosol) in the vicinity of the plastic guard. The polycarbonate material used in the guard is subject to attack by certain chemicals.

- All bearings are sealed. They are lubricated for life and need no further maintenance.
- Periodically clean all dust and wood chips from around AND UNDER the base and the rotary table. Even though slots are provided to allow debris to pass through, some dust will accumulate.
- The brushes are designed to give you several years of use. If they ever need replacement follow the instructions under **Brushes** or return the tool to the nearest service center for repair.

Removing and Replacing Belt (Fig. 4, 26)

The belt is designed to last the life of the tool. However, abuse of the tool could cause the belt to fail.

If the blade does not turn when the motor is running, the belt has failed. To inspect or replace the belt, remove the belt cover screws. Remove the belt cover. Inspect the ribs of the belt for wear or failure. Check belt tension by squeezing the belt as shown in Figure 26. The belt halves should almost touch when squeezing firmly with the thumb and index finger. To adjust the tension, loosen, but do not remove, the four crosshead screws shown. Then rotate the set screw on the top of the motor plate casting until the proper tension is achieved. Tighten the four screws securely and replace the belt cover.



NOTICE: Overtightening the belt will cause premature motor failure.

Dust Duct Cleaning

Depending on your cutting environment, saw dust can clog the dust duct and may prevent dust from flowing away from the cutting area properly. With the saw unplugged and the saw head raised fully, low pressure air or a large diameter dowel rod can be used to clear the dust out of the dust duct.

Brushes

▲WARNING: To reduce the risk of injury, turn unit off and disconnect it from power source before installing and removing accessories, before adjusting or when making repairs. An accidental start-up can cause injury.

Inspect carbon brushes regularly by unplugging tool, removing the motor endcap (Fig. 4), lifting the brush spring and withdrawing the brush assembly. Keep brushes clean and sliding freely in their guides. Always replace a used brush in the same orientation in the holder as it was prior to its removal. If the brushes are worn down to approximately 1/2" (12.7 mm), the springs will no longer exert pressure and they must be replaced. Use only identical DEWALT brushes. Use of the correct grade of brush is essential for proper operation of electric brake. New brush assemblies are available at DEWALT service centers. The tool should be allowed to "run in" (run at no load) for 10 minutes before use to seat new brushes. The electric brake may be erratic in operation until the brushes are properly seated (worn in). Always replace the brush inspection cap after inspection or servicing the brushes.

While "running in" DO NOT TIE, TAPE, OR OTHERWISE LOCK THE TRIGGER SWITCH ON. HOLD BY HAND ONLY.

Cleaning

▲WARNING: Blow dirt and dust out of all air vents with clean, dry air at least once a week. To minimize the risk of eye injury, always wear ANSI Z87.1 approved eye protection when performing this.

▲WARNING: Never use solvents or other harsh chemicals for cleaning the non-metallic parts of the tool. These chemicals may weaken the plastic materials used in these parts. Use a cloth dampened only with water and mild soap. Never let any liquid get inside the tool; never immerse any part of the tool into a liquid.

Accessories

▲WARNING: Since accessories, other than those offered by DEWALT, have not been tested with this product, use of such accessories with this tool could be hazardous. To reduce the risk of injury, only DEWALT recommended accessories should be used with this product.

Recommended accessories for use with your tool are available at extra cost from your local dealer or authorized service center. If you need assistance in locating any accessory, please contact DEWALT Industrial Tool Co., 701 East Joppa Road, Baltimore, MD 21286, call 1-800-4-DEWALT (1-800-433-9258) or visit our website: www.dewalt.com.

Repairs

To assure product SAFETY and RELIABILITY, repairs, maintenance and adjustment (including brush inspection and replacement) should be performed by a DEWALT factory service center, a DEWALT authorized service center or other qualified service personnel. Always use identical replacement parts.

Register Online

Thank you for your purchase. Register your product now for:

- WARRANTY SERVICE:** Registering your product will help you obtain more efficient warranty service in case there is a problem with your product.
- CONFIRMATION OF OWNERSHIP:** In case of an insurance loss, such as fire, flood or theft, your registration of ownership will serve as your proof of purchase.

- **FOR YOUR SAFETY:** Registering your product will allow us to contact you in the unlikely event a safety notification is required under the Federal Consumer Safety Act. Register online at www.dewalt.com/register.

Three Year Limited Warranty

DEWALT will repair, without charge, any defects due to faulty materials or workmanship for three years from the date of purchase. This warranty does not cover part failure due to normal wear or tool abuse. For further detail of warranty coverage and warranty repair information, visit www.dewalt.com or call 1-800-4-DEWALT (1-800-433-9258). This warranty does not apply to accessories or damage caused where repairs have been made or attempted by others. This warranty gives you specific legal rights and you may have other rights which vary in certain states or provinces.

In addition to the warranty, DEWALT tools are covered by our:

1 YEAR FREE SERVICE

DEWALT will maintain the tool and replace worn parts caused by normal use, for free, any time during the first year after purchase.

90 DAY MONEY BACK GUARANTEE

If you are not completely satisfied with the performance of your DEWALT Power Tool, Laser, or Nailer for any reason, you can return it within 90 days from the date of purchase with a receipt for a full refund – no questions asked.

LATIN AMERICA: This warranty does not apply to products sold in Latin America. For products sold in Latin America, see country specific warranty information contained in the packaging, call the local company or see website for warranty information.

FREE WARNING LABEL REPLACEMENT: If your warning labels become illegible or are missing, call 1-800-4-DEWALT (1-800-433-9258) for a free replacement.

<p>WARNING FOR YOUR OWN SAFETY READ INSTRUCTION MANUAL BEFORE OPERATING MITER SAW. KEEP HANDS OUT OF PATH OF SAW BLADE. DO NOT OPERATE SAW WITHOUT GUARD IN PLACE. CHECK LOWER GUARD FOR PROPER CLOSING BEFORE EACH USE. ALWAYS TIGHTEN ADJUSTMENT KNOBS BEFORE USE. DO NOT PERFORM ANY OPERATION FREQUENTLY. NEVER REACH IN BACK OF SAW BLADE. NEVER CROSS ARMS IN FRONT OF BLADE. TURN OFF TOOL AND WAIT FOR SAW BLADE TO STOP BEFORE MOVING WORKPIECE. CHANGING SETTINGS OR MOVING HANDS, DISCONNECT POWER BEFORE CHANGING BLADE OR SERVICING. TO REDUCE THE RISK OF INJURY, RETURN CARTRIDGE TO THE FULL REAR POSITION AFTER EACH CROSSCUT OPERATION. THINK YOU CAN PREVENT ACCIDENTS.</p>	<p>ADVERTENCIA PARA SU PROPIA PROTECCIÓN, POR FAVOR LEA DETENIDAMENTE EL MANUAL DE INSTRUCCIONES ANTES DE PONER EN MARCHA LA SIERRA DE INGLETE. MANTENGA LAS MANOS FUERA DEL PASO DE LA HOJA. NO VAYA FUNCIONAR LA SIERRA SIN ANTES HABER INSTALADO LAS GUARDIAS. ASEGURESE QUE LA GUARDIA INFERIOR SE ENCUENTRE EN LA POSICIÓN DE CIERRE ANTES DE CADA APLICACIÓN. SIEMPRE APRIETE LAS PERILLAS DE AJUSTE ANTES DE ACCIONAR LA HERRAMIENTA. JAMÁS REALICE OPERACIONES FRECUENTES. JAMÁS ALCANCE POR DETRÁS DE LA HOJA. JAMÁS CRUCE LOS BRAZOS EN FRENTE DE LA HOJA. APAGUE LA HERRAMIENTA Y ESPERE QUE LA HOJA SE DETENGA POR COMPLETO ANTES DE RETIRAR LA PIEZA DE TRABAJO. ANTES DE AJUSTAR LA SIERRA O ANTES DE MOVER LAS MANOS, DESCONECTE LA HERRAMIENTA. ANTES DE PRESTARLE MANTENIMIENTO O ANTES DE CAMBIAR LA HOJA, A FIN DE REDUCIR EL RIESGO DE LESIONES PERSONALES, REGRESE EL CARRO COMPLETAMENTE PARA ATRÁS DESPUÉS DE CADA CORTE TRANSVERSAL. ¡USE EL SENTIDO COMÚN! ¡USTED PUEDE EVITAR LOS ACCIDENTES.</p>	<p>AVERTISSEMENT PAR MESURE DE SÉCURITÉ, LIRE LE GUIDE D'UTILISATION AVANT DE SE SERVIR DE LA SCIE À ONGLETS. ÉLOIGNER LES MAINS DE LA TRAJECTOIRE DE LA LAME. NE PAS UTILISER LA SCIE SANS LES PROTECTEURS EN PLACE. VÉRIFIER LA FERMETURE APPROPRIÉE DU PROTECTEUR INFÉRIEUR AVANT CHAQUE UTILISATION. TOUJOURS SERRER LES BOUTONS DE RÉGLAGE AVANT CHAQUE UTILISATION. NE PAS EFFECTUER DE TRAVAIL À MAIN LEVÉE. NE JAMAIS S'ÉTIRER VERS L'ARRIÈRE DE LA LAME DE LA SCIE. NE JAMAIS SE CROISER LES BRAS À L'AVANT DE LA LAME. METTRE L'OUTIL HORS TENSION ET ATTENDRE L'IMMOBILISATION COMPLÈTE DE LA LAME AVANT DE DÉPLACER LA PIÈCE À OUVRIER. DE MODIFIER LES RÉGLAGES DE LA SCIE OU DE DÉPLACER SES MAINS, DÉBRANCHER L'OUTIL AVANT DE REMPLACER LA LAME OU DE FAIRE L'ENTRETIEN DE LA SCIE. AFIN DE MINIMISER LES RISQUES DE BLESSURES, RETOURNER LE CHARIOT À SA POSITION ARRIÈRE COMPLÈTE APRÈS CHAQUE COUPE TRANSVERSALE. IL SUFFIT DE PENSER: ON PEUT PRÉVENIR LES ACCIDENTS.</p>
---	--	--

PROPERLY SECURE BRACKET WITH BOTH SCREWS BEFORE USE. ASEGURE LA MENSULA DEBIDAMENTE CON AMBOS TORNILLOS ANTES DE PONER EN MARCHA LA HERRAMIENTA. BIEN FIXER LE SUPPORT À L'ARRE DES DEUX VIS AVANT L'UTILISATION.

DWS782 12" (305mm) DOUBLE BEVEL SLIDING COMPOUND MITER SAW SER.

WARNING/ADVERTENCIA/AVERTISSEMENT

FOR YOUR OWN SAFETY, READ INSTRUCTION MANUAL BEFORE OPERATING MITER SAW. WHEN SERVICING, USE ONLY ORIGINAL REPLACEMENT PARTS. DO NOT EXPOSE TO RAIN OR USE IN DAMP LOCATIONS. ALWAYS USE PROPER EYE AND RESPIRATORY PROTECTION. PARA SU PROPIA SEGURIDAD, LEA DETENIDAMENTE EL MANUAL DE INSTRUCCIONES ANTES DE PONER EN MARCHA LA SIERRA DE INGLETE. A LA HORA DE PRESTAR MANTENIMIENTO, SE DEBERÁ UTILIZAR SOLAMENTE PIEZAS IDENTICAS DE REEMPLAZO. NO EXPOGA LA HERRAMIENTA A LA LLUVIA NI LA VAYA FUNCIONAR EN LOS LUGARES HÚMEDOS. SIEMPRE SE DEBERÁ LLEVAR LA PROTECCIÓN APROPIADA PARA LA VISTA Y PARA LAS VÍAS RESPIRATORIAS. PAR MESURE DE SÉCURITÉ, LIRE LE GUIDE D'UTILISATION AVANT DE SE SERVIR DE LA SCIE À ONGLETS. LORS DES TRAVAUX D'ENTRETIEN, UTILISER QUE DES PIÈCES DE RECHANGE IDENTIQUES. NE PAS EXPOSER L'OUTIL À LA PLUIE NI S'EN SERVIR DANS DES ENDROITS HUMIDES. TOUJOURS PORTER DE L'ÉQUIPEMENT DE PROTECTION OCULAIRE ET RESPIRATOIRE APPROPRIÉ.

DEWALT INDUSTRIAL TOOL CO. BALTIMORE MD, 21286 USA
FOR SERVICE INFORMATION, CALL 1-800-4-DEWALT www.DEWALT.com



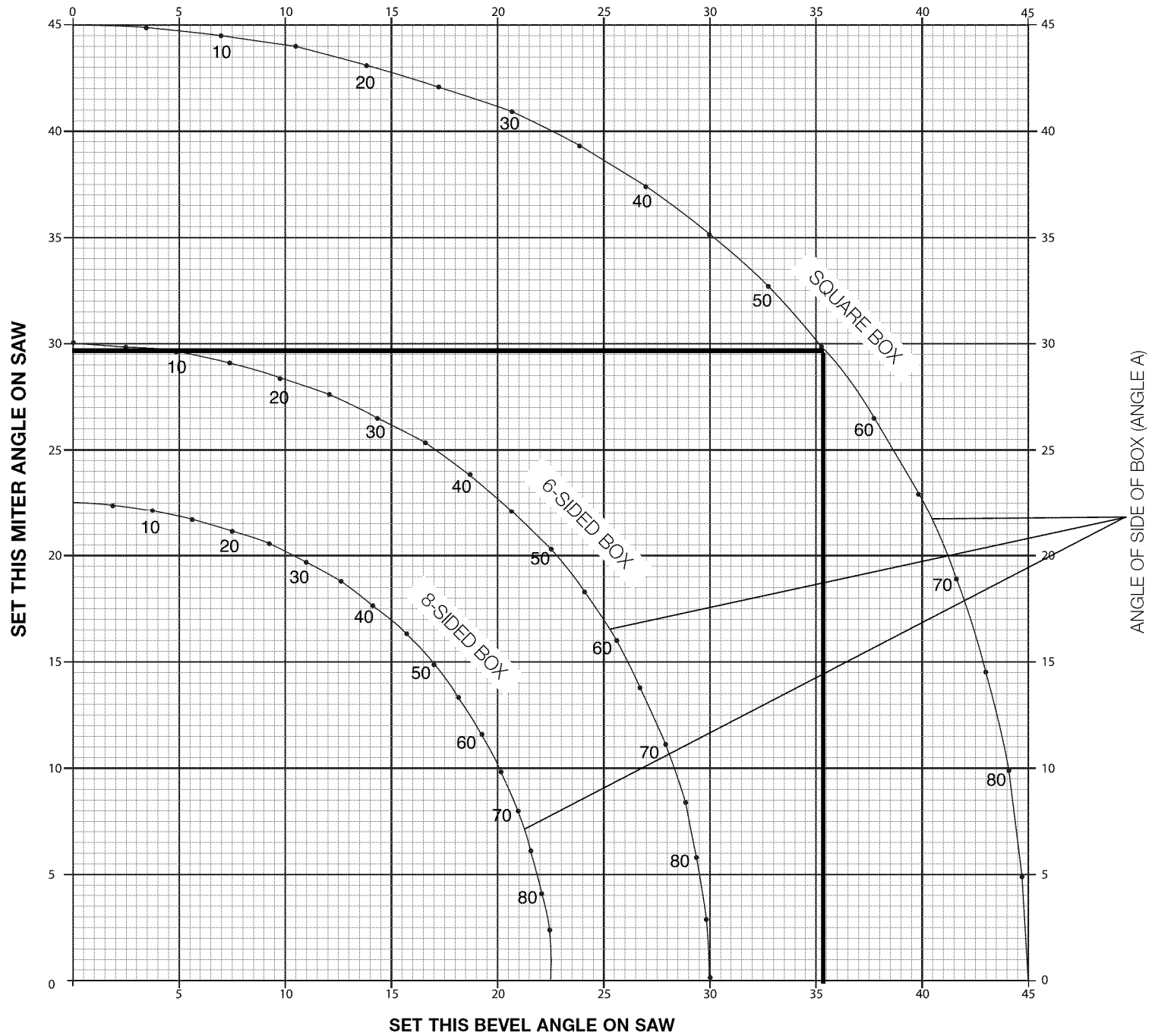
ALWAYS ADJUST FENCE PROPERLY BEFORE USE. CLAMP SMALL PIECES BEFORE CUTTING. SEE MANUAL. AJUSTE LA CUNA DEBIDAMENTE ANTES DE UTILIZAR LA HERRAMIENTA. ASEGURE LAS PIEZAS PEQUEÑAS ANTES DE CORTARLAS. CONSULTE EL MANUAL. TOUJOURS RÉGLER LE GUIRRE AVANT D'UTILISATION. FIXER LES PETITS OBJETS AVANT DE LES SCIER. CONSULTER LE GUIDE D'UTILISATION.

Troubleshooting Guide

BE SURE TO FOLLOW SAFETY RULES AND INSTRUCTIONS

TROUBLE!	WHAT'S WRONG?	WHAT TO DO
Saw will not start	1. Saw not plugged in	1. Plug in saw.
	2. Fuse blown or circuit breaker tripped	2. Replace fuse or reset circuit breaker.
	3. Cord damaged	3. Have cord replaced by authorized service center.
	4. Brushes worn out	4. Have brushes replaced by authorized service center or replace them yourself. Refer to Brushes .
Saw makes unsatisfactory cuts	1. Dull blade	1. Replace blade. Refer to Changing or Installing a New Saw Blade .
	2. Blade mounted backwards	2. Turn blade around. Refer to Changing or Installing a New Saw Blade .
	3. Gum or pitch on blade	3. Remove blade and clean with coarse steel wool and turpentine or household oven cleaner.
	4. Incorrect blade for work being done	4. Change the blade type. Refer to Saw Blades under Optional Accessories .
Blade does not come up to speed	1. Extension cord too light or too long	1. Replace with adequate size cord. Refer to Use Proper Extension Cord under Important Safety Instructions .
	2. Low house current	2. Contact your electric company.
Machine vibrates excessively	1. Saw not mounted securely to stand or work bench	1. Tighten all mounting hardware. Refer to Bench Mounting .
	2. Stand or bench on uneven floor	2. Reposition on flat level surface. Refer to Familiarization .
	3. Damaged saw blade	3. Replace blade. Refer to Changing or Installing a New Saw Blade .
Does not make accurate miter cuts	1. Miter scale not adjusted correctly	1. Check and adjust. Refer to Miter Scale Adjustment under Adjustments .
	2. Blade is not square to fence	2. Check and adjust. Refer to Miter Scale Adjustment under Adjustments .
	3. Blade is not perpendicular to table	3. Check and adjust fence. Refer to Bevel Square to Table Adjustment under Adjustments .
	4. Workpiece moving	4. Clamp workpiece securely to fence or glue 120 grit sandpaper to fence with rubber cement.
Material pinches blade	1. Cutting bowed material	1. Refer to Bowed Material under Special Cuts .

TABLE 1: COMPOUND MITER CUT
(POSITION WOOD WITH BROAD FLAT SIDE ON THE TABLE AND THE NARROW EDGE AGAINST THE FENCE)



Définitions : lignes directrices en matière de sécurité

Les définitions ci-dessous décrivent le niveau de danger pour chaque mot-indicateur employé. Lire le mode d'emploi et porter une attention particulière à ces symboles.

▲ DANGER : indique une situation dangereuse imminente qui, si elle n'est pas évitée, entraînera la mort ou des blessures graves.

▲ AVERTISSEMENT : indique une situation potentiellement dangereuse qui, si elle n'est pas évitée, pourrait entraîner la mort ou des blessures graves.

▲ ATTENTION : indique une situation potentiellement dangereuse qui, si elle n'est pas évitée, pourrait entraîner des blessures légères ou modérées.

AVIS : indique une pratique ne posant aucun risque de dommages corporels mais qui par contre, si rien n'est fait pour l'éviter, pourrait poser des risques de dommages matériels.

POUR TOUTE QUESTION OU REMARQUE AU SUJET DE CET OUTIL OU DE TOUT AUTRE OUTIL DEWALT, COMPOSEZ LE NUMÉRO SANS FRAIS : 1-800-4-DEWALT (1-800-433-9258).



AVERTISSEMENT : afin de réduire le risque de blessures, lire le mode d'emploi de l'outil.

Avertissements de sécurité généraux pour les outils électriques



AVERTISSEMENT ! Lire tous les avertissements de sécurité et toutes les directives. Le non-respect des avertissements et des directives pourrait se solder par un choc électrique, un incendie et/ou une blessure grave.

CONSERVER TOUS LES AVERTISSEMENTS ET TOUTES LES DIRECTIVES POUR UN USAGE ULTÉRIEUR

Double isolation

Afin de protéger l'utilisateur contre les décharges électriques, les outils à double isolation sont complètement recouverts de deux couches distinctes d'isolant électrique ou d'une simple épaisseur renforcée de matière isolante. Les outils comportant ce système d'isolation ne sont pas conçus pour être mis à la terre. L'outil est donc doté d'une prise à deux broches qui permet d'utiliser des rallonges sans avoir à se soucier de maintenir une connexion à la terre.

REMARQUE : le fait que cet outil soit muni d'une double isolation ne signifie pas que l'utilisateur peut cesser de respecter les consignes de sécurité qui s'imposent. L'isolation secondaire offre une protection contre tout dommage corporel pouvant résulter d'une défaillance électrique possible du système primaire d'isolation interne.

▲ ATTENTION : EN CAS DE RÉPARATION, UTILISER UNIQUEMENT DES PIÈCES DE RECHANGE IDENTIQUES. Réparer ou remplacer les cordons d'alimentation endommagés.

Fiches polarisées

Certains appareils comportent des fiches polarisées (c'est-à-dire qu'une lame est plus large que l'autre) afin de réduire le risque de choc électrique. Lorsqu'elle est présente, cette fiche ne se branche que d'une seule façon dans une prise de courant polarisée. Si la fiche ne s'insère pas totalement dans la prise de courant, l'inverser. Si elle ne s'insère toujours pas dans la prise, demander à un électricien compétent d'installer une fiche polarisée. Ne pas remplacer la fiche.

Entraînement

Moteur 120 Volt

Puissance d'entrée : 1 600

3 800 tr/min

Courroie trapézoïdale multiple

Frein électrique automatique

Moteur 15 ampères

Engrenages hélicoïdaux taillés

Roulements à rouleau

Lame en carbure

Consignes de sécurité pour tous les outils

Cette scie à onglets est compatible avec la lampe de travail et le laser DEWALT.

▲ AVERTISSEMENT : TOUJOURS utiliser une protection oculaire lors de l'utilisation de la scie à onglets pour réduire le risque de blessures aux yeux.

- **MAINTENIR LE PROTÈGE-LAME EN PLACE** et en état de fonctionnement.
- **RETIRER LES CLÉS À MOLETTE ET LES CLÉS DE RÉGLAGE.** S'habituer à vérifier si les clés à molette et les clés de réglage sont retirées de la broche avant de mettre l'outil sous tension. Des outils, des déchets de découpe et d'autres débris peuvent être projetés à grande vitesse, provoquant des blessures.
- **GARDER LA ZONE DE TRAVAIL PROPRE.** Les zones et établis encombrés sont souvent des causes d'accidents.
- **NE PAS UTILISER L'APPAREIL DANS UN ENVIRONNEMENT DANGEREUX.** L'utilisation d'outils électriques dans des endroits humides ou mouillés ou sous la pluie peut provoquer un choc électrique ou une électrocution. Tenir la zone de travail bien éclairée pour éviter de trébucher ou de mettre bras, mains et doigts en danger.
- **TENIR LES ENFANTS À L'ÉCART.** Tous les visiteurs doivent se trouver à une distance sûre de la zone de travail. Un atelier représente un environnement potentiellement dangereux.
- **S'ASSURER QUE L'ATELIER NE PRÉSENTE PAS DE DANGER POUR LES ENFANTS :** utiliser des cadenas, des interrupteurs principaux ou retirer les clés de démarrage. Le démarrage non autorisé d'un appareil par un enfant ou un visiteur pourrait se solder par des blessures.
- **NE PAS FORCER L'OUTIL.** Le travail sera mieux accompli et sera moins dangereux au rythme prévu pour l'appareil.
- **UTILISER L'OUTIL APPROPRIÉ.** Ne pas forcer un outil ou un accessoire pour effectuer un travail auquel il n'a pas été conçu. L'utilisation d'un outil ou d'un accessoire inapproprié pourrait se solder par des blessures corporelles.
- **PORTER LES VÊTEMENTS APPROPRIÉS.** Éviter vêtements amples, gants, cravates, bagues, bracelets ou autres bijoux qui pourraient se prendre dans les pièces mobiles. Il est recommandé de porter des chaussures antidérapantes. Couvrir ou attacher les cheveux longs.
- **TOUJOURS PORTER DES LUNETTES DE SÉCURITÉ.** Les lunettes ordinaires ne constituent PAS des lunettes de sécurité. Utiliser également un masque facial ou antipoussière si l'opération de découpe génère de la poussière. **TOUJOURS PORTER UN ÉQUIPEMENT DE SÉCURITÉ HOMOLOGUÉ :**
 - protection oculaire conforme à la norme ANSI Z87.1 (CAN/CSA Z94.3) ;
 - protection auditive conforme à la norme ANSI S12.6 (S3.19) ;
 - protection des voies respiratoires conforme aux normes NIOSH/OSHA/MSHA.
- **FIXER LA PIÈCE.** Utiliser des brides de fixation ou un étau pour maintenir la pièce sur la table et contre le guide. Faire de même lorsque le travail à effectuer exigera que la main de l'opérateur se trouve très proche de la lame (à moins de 152 mm [6 po]). Une telle pratique est plus sécuritaire, car l'opérateur peut utiliser ses deux mains pour faire fonctionner l'outil.
- **NE PAS TROP TENDRE LES BRAS.** Conserver son équilibre en tout temps. Une perte d'équilibre risque d'entraîner une blessure corporelle.
- **PRENDRE SOIN DES OUTILS.** S'assurer que les outils sont aiguisés et propres afin d'optimiser sécurité et performance. Suivre les consignes de graissage et de changement

d'accessoires. Les machines et outils mal entretenus peuvent s'endommager davantage et/ou provoquer des blessures.

- **ÉTEINDRE L'APPAREIL ET COUPER LE COURANT** avant d'installer ou de retirer des accessoires, avant de réaliser ou de modifier un réglage et lors de réparations ou de déplacements de l'appareil. Un démarrage accidentel peut provoquer des blessures. Ne pas toucher aux lames métalliques de la fiche lors du branchement ou du débranchement du cordon d'alimentation.
- **RÉDUIRE LE RISQUE DE DÉMARRAGE ACCIDENTEL.** S'assurer que l'interrupteur se trouve sur la position « ARRÊT » avant de brancher le cordon d'alimentation.
- **UTILISER UNE RALLONGE APPROPRIÉE.** S'assurer que la rallonge est en bon état. Lorsqu'une rallonge est utilisée, s'assurer d'utiliser un calibre suffisamment élevé pour assurer le transport du courant nécessaire au fonctionnement de l'appareil. Une rallonge de calibre inférieur causera une chute de tension de ligne et donc une perte de puissance et une surchauffe. Le tableau suivant indique le calibre approprié à utiliser selon la longueur de la rallonge et l'intensité nominale de la plaque signalétique. En cas de doute, utiliser le calibre supérieur suivant. Plus le numéro de calibre est petit, plus le cordon est de calibre élevé.

Calibre minimum pour rallonge						
Intensité nominale		Volts	Longueur totale du cordon en mètres (en pieds)			
			120 V	7,6 (25)	15,2 (50)	30,5 (100)
		240 V	15,2 (50)	30,5 (100)	61,0 (200)	91,4 (300)
Plus de	Pas plus de	AWG				
0	6		5,5 (18)	4,9 (16)	4,9 (16)	4,3 (14)
6	10		5,5 (18)	4,9 (16)	4,3 (14)	3,7 (12)
10	12		4,9 (16)	4,9 (16)	4,3 (14)	3,7 (12)
12	16		4,3 (14)	3,7 (12)	Non recommandé	

- **VÉRIFIER QUE LES PIÈCES NE SONT PAS ENDOMMAGÉES.** Avant toute utilisation ultérieure de l'outil, un protège-lame (ou une autre pièce) endommagé doit être soigneusement examiné afin de déterminer s'il fonctionnera correctement et remplira sa fonction prévue – vérifier l'alignement des pièces mobiles, la présence de grippage des pièces mobiles, de rupture de pièces, la fixation et tout problème pouvant nuire au fonctionnement de l'outil. Un protège-lame (ou toute autre pièce) endommagé doit être réparé et remplacé adéquatement. Ne pas utiliser l'appareil si l'interrupteur ne fonctionne pas.
- **UTILISER LES ACCESSOIRES RECOMMANDÉS.** N'utiliser que les accessoires conseillés par le fabricant pour le modèle de l'outil. Des accessoires qui conviennent à un outil pourraient être dangereux lorsqu'ils sont utilisés avec un autre outil. Une liste des accessoires recommandés se trouve dans le mode d'emploi. L'utilisation d'accessoires incorrects peut entraîner un risque de blessure corporelle.
- **NE JAMAIS SE TENIR SUR L'OUTIL.** Une blessure grave pourrait se produire en cas de basculement de l'outil ou de démarrage accidentel de l'outil de découpe.
- **NE JAMAIS LAISSER L'OUTIL FONCTIONNER SANS SURVEILLANCE. ÉTEINDRE L'APPAREIL.** Ne pas laisser l'outil tant qu'il n'est pas complètement arrêté. De graves blessures pourraient survenir.
- **NE PAS UTILISER D'OUTILS ÉLECTRIQUES À PROXIMITÉ DE LIQUIDES INFLAMMABLES OU DANS UNE ATMOSPHÈRE GAZEUSE OU EXPLOSIVE.** Les moteurs de ces outils peuvent provoquer des étincelles et enflammer des vapeurs.
- **ÊTRE VIGILANT, SURVEILLER LE TRAVAIL EFFECTUÉ ET FAIRE PREUVE DE JUGEMENT. NE PAS UTILISER L'APPAREIL EN CAS DE FATIGUE OU SOUS L'INFLUENCE DE DROGUES, D'ALCOOL OU DE MÉDICAMENTS.** En effet, un moment d'inattention en utilisant des outils électriques peut se solder par des blessures.

Règles de sécurité supplémentaires pour les scies à onglets

⚠AVERTISSEMENT : ne pas laisser une bonne connaissance de l'outil (acquise par l'utilisation fréquente de la scie) prendre préséance sur les règles de sécurité. Toujours se souvenir qu'une fraction de seconde d'imprudance est suffisante pour infliger de graves blessures.

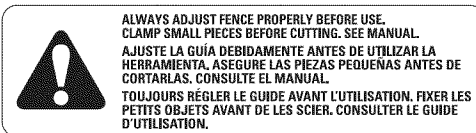
- **NE PAS FAIRE FONCTIONNER CET APPAREIL** avant qu'il ne soit entièrement assemblé et installé conformément aux directives. Un appareil mal assemblé peut provoquer des blessures graves.
- **DEMANDER CONSEIL** à un superviseur, à un instructeur ou à toute autre personne qualifiée si l'on ne maîtrise pas parfaitement l'utilisation de cet appareil. La connaissance est synonyme de sécurité.
- **STABILITÉ.** S'assurer que la scie à onglets est posée sur une surface portante fixe et ne risque pas de glisser ou de se déplacer durant son utilisation.
- **SUIVRE TOUS LES CODES DE CÂBLAGE** et les branchements électriques recommandés afin d'éviter les chocs électriques ou l'électrocution. Il faut protéger la ligne d'alimentation électrique avec un fusible à temporisation ou un disjoncteur d'au moins 15 ampères.
- **S'ASSURER** que la lame tourne dans le bon sens. Les dents de la lame doivent pointer dans le sens de rotation, comme il est indiqué sur la scie.
- **SERRER TOUTES LES POIGNÉES DE FIXATION,** les boutons et les leviers avant l'utilisation de la scie. Si les brides sont lâches, des pièces ou la pièce à travailler pourraient être projetées à grande vitesse.
- **S'ASSURER QUE** la lame au complet et les attaches de lame sont propres, que les côtés encastrés des attaches de lame sont appuyés sur la lame et que la vis de l'arbre est bien serrée. Un mécanisme de serrage de lame lâche ou mal installé risque d'endommager la scie et de provoquer des blessures corporelles.
- **UTILISER TOUJOURS UNE LAME TRANCHANTE.** Vérifier que la lame fonctionne bien dans l'axe et qu'elle ne vibre pas. Une lame émoussée ou une lame qui vibre peut endommager l'appareil et/ou provoquer des blessures graves.
- **NE PAS UTILISER UNE TENSION AUTRE QUE CELLE DÉSIGNÉE** pour la scie. Une tension autre risquerait d'entraîner une surchauffe, des dommages à la scie et des blessures corporelles.
- **NE PAS PLACER QUOI QUE CE SOIT CONTRE LE VENTILATEUR** pour retenir l'arbre moteur. Une telle pratique peut endommager l'outil et entraîner des blessures corporelles.
- **NE PAS FORCER L'ACTION DE COUPE.** Le calage partiel ou complet du moteur peut causer des dommages à l'appareil ou à la lame et/ou des blessures graves.
- **LAISSER LE MOTEUR ATTEINDRE SON PLEIN RÉGIME** avant de commencer la coupe. Commencer à couper trop tôt peut endommager l'appareil ou la lame et/ou provoquer des blessures graves.
- **NE JAMAIS COUPER DE MÉTAUX FERREUX** (métaux contenant du fer ou de l'acier) ni de la maçonnerie. En coupant l'un ou l'autre de ces matériaux, les pointes carburées peuvent se détacher de la lame, et ce, à grande vitesse. Cela peut provoquer des blessures graves.
- **NE PAS UTILISER DE MEULES ABRASIVES.** La chaleur excessive et les particules abrasives qu'elles produisent risquent d'endommager la scie et de causer des blessures corporelles.
- **AUCUNE PARTIE DU CORPS NE DOIT SE TROUVER DANS LA TRAJECTOIRE DE LA LAME DE LA SCIE.** Un tel positionnement risque d'entraîner des blessures corporelles.

- **NE JAMAIS APPLIQUER DE LUBRIFIANT SUR UNE LAME EN FONCTIONNEMENT.** L'application de lubrifiant pourrait amener l'opérateur à déplacer ses mains jusque sur la lame et ainsi se blesser gravement.
 - **IL NE FAUT PAS** placer une main à proximité de la lame lorsque la scie est branchée au bloc d'alimentation. Le fonctionnement inopiné de la lame risquerait d'entraîner des blessures graves.
 - **NE PAS EFFECTUER D'OPÉRATION À MAIN LEVÉE** (lorsque la pièce n'est soutenue ni par une table ni par un guide). Maintenir la pièce à travailler fermement contre le guide et la table. Les opérations à main levée sur une scie à onglet pourraient entraîner le rejet violent de la pièce posant ainsi des risques de dommages corporels graves.
 - **NE PAS PASSER LES MAINS AUTOUR DE LA LAME DE SCIE OU DERRIÈRE CELLE-CI.** Une lame peut provoquer des blessures graves.
 - **IL NE FAUT PAS PASSER LES MAINS SOUS LA SCIE** sauf si elle est hors tension et débranchée. Tout contact avec la lame de scie pourrait entraîner des blessures corporelles.
 - **FIXER L'APPAREIL SUR UNE SURFACE DE SUPPORT STABLE.** Les vibrations sont susceptibles de faire glisser, sautiller ou basculer l'appareil, ce qui peut provoquer des blessures graves.
 - **UTILISER UNIQUEMENT LES LAMES À TRONÇONNER** recommandées pour les scies à onglets. Pour des résultats optimaux, ne pas utiliser de lames à pointes de carbure avec un angle d'attaque supérieur à 7 degrés. Ne pas utiliser des lames à dents très espacées. Celles-ci peuvent dévier et faire contact avec le protège-lame et endommager ainsi l'appareil et/ou provoquer des blessures graves.
 - **UTILISER SEULEMENT DES LAMES DE DIMENSION ET DE TYPE APPROPRIÉS** prévues pour cet outil, et ce, pour éviter d'endommager l'appareil et/ou d'entraîner des blessures graves.
 - **INSPECTER LA LAME POUR REPÉRER DES FISSURES** ou d'autres dommages avant l'utilisation. Une lame fissurée ou endommagée peut se détacher et des fragments peuvent être projetés à grande vitesse, ce qui peut provoquer des blessures graves. Remplacer les lames fissurées ou endommagées immédiatement.
 - **NETTOYER LA LAME ET LES ATTACHES DE LAME** avant l'utilisation. Le nettoyage de la lame et des attaches de lame permet de détecter tout dommage à la lame ou aux attaches de lame. Une lame ou une attache de lame fissurée ou endommagée peut se détacher et des fragments peuvent être projetés à grande vitesse, ce qui peut provoquer des blessures graves.
 - **IL NE FAUT PAS** utiliser de graisse ni de produits nettoyants (en particulier de pulvérisateur ou d'aérosol) à proximité du protège-lame en plastique. Certains produits chimiques peuvent attaquer le matériau de polycarbonate dont il est constitué.
 - **TOUJOURS UTILISER LA PLAQUE DE TRAIT DE SCIE ET LA REMPLACER LORSQU'ELLE EST ENDOMMAGÉE.** L'accumulation de petits copeaux sous la scie pourrait nuire à la lame ou rendre la pièce instable lors de la découpe.
 - **UTILISER SEULEMENT LES ATTACHES DE LAME PRÉVUES POUR CET OUTIL** afin de prévenir tout dommage et/ou des blessures graves.
 - **DÉGAGER LES ÉVÉNEMENTS DU MOTEUR** de toute sciure ou de tout copeau. Des événements de moteur obstrués peuvent provoquer la surchauffe de l'appareil, ce qui l'endommagerait et provoquerait peut-être un court-circuit qui pourrait engendrer des blessures graves.
 - **TENIR LES BRAS, LES MAINS ET LES DOIGTS ÉLOIGNÉS DE LA LAME** afin d'éviter des coupures graves. Fixer solidement toutes les pièces qui exigeraient que la main soit à moins de 152 mm (6 po) de la lame de scie.
 - **NE JAMAIS VERROUILLER L'INTERRUPTEUR EN POSITION DE « MARCHÉ »**. Une telle pratique peut entraîner des blessures corporelles graves.
 - **ÉTEINDRE L'APPAREIL** et laisser la lame s'immobiliser complètement avant de relever le bras, de nettoyer la zone de la lame, d'enlever les débris de la trajectoire de la lame et avant l'entretien ou le réglage de l'outil. Une lame mobile peut provoquer des blessures graves.
 - **SOUTENIR CORRECTEMENT LES PIÈCES LONGUES OU LARGES.** La perte de contrôle de la pièce peut provoquer des blessures.
 - **NE JAMAIS CROISER LES BRAS DEVANT LA LAME** au moment d'utiliser l'outil. Toujours effectuer un fonctionnement à sec (non alimenté) avant de réaliser une coupe de finition. Ainsi, la trajectoire de la lame peut être vérifiée, ce qui permet d'éviter toute blessure corporelle grave.
 - **DES INFORMATIONS SUPPLÉMENTAIRES** (c.-à-d., une vidéo sur la sécurité), indiquant comment utiliser des outils électriques correctement et en toute sécurité, sont disponibles auprès du Power Tool Institute, 1300 Sumner Avenue, Cleveland, OH 44115-2851 É.-U. (www.powertoolinstitute.com). Des renseignements sont également offerts par le National Safety Council, 1121 Spring Lake Drive, Itasca, IL 60143-3201 É.-U. Se reporter à la norme ANSI O1.1 de l'American National Standards Institute concernant les exigences en matière de sécurité pour les appareils de travail du bois ainsi qu'à la réglementation OSHA 1910.213 du département du travail des É.-U. (Department of Labor).
- ⚠ **AVERTISSEMENT** : ne connectez pas l'appareil à une source d'alimentation électrique tant que vous n'avez pas complètement lu et compris les instructions.
- ⚠ **AVERTISSEMENT** : toujours porter une protection auditive appropriée conformément à la norme ANSI S12.6 (S3.19) lors de l'utilisation du produit. Dans certaines conditions et selon la durée d'utilisation, le bruit émis par ce produit pourrait contribuer à une perte auditive.
- ⚠ **AVERTISSEMENT** : NE JAMAIS EFFECTUER DE COUPE SI LE MATÉRIAU N'EST PAS MAINTENU EN PLACE SUR LA TABLE ET CONTRE LE GUIDE.
- ⚠ **AVERTISSEMENT** : les scies, meules, ponceuses, perceuses ou autres outils de construction peuvent produire des poussières contenant des produits chimiques reconnus par l'État californien pour causer cancers, malformations congénitales ou être nocifs au système reproducteur. Parmi ces produits chimiques, on retrouve :
- Le plomb dans les peintures à base de plomb ;
 - La silice cristallisée dans les briques et le ciment, ou autres produits de maçonnerie ; et
 - L'arsenic et le chrome dans le bois ayant subi un traitement chimique.
- Les risques reliés à l'exposition à ces poussières varient selon la fréquence à laquelle vous travaillez avec ce type de matériaux. Afin de réduire votre exposition à ces produits chimiques : travaillez dans un endroit bien ventilé et portez un équipement de sécurité approuvé comme un masque anti-poussières conçu spécialement pour filtrer les particules microscopiques.
- Évitez le contact prolongé avec les poussières produites par les activités de ponçage, sciage, meulage, perçage et autres activités de construction. Portez des vêtements de protection et lavez les parties du corps exposées avec une solution d'eau et de savon. Le fait de laisser la poussière pénétrer par la bouche et les yeux ou de la laisser reposer sur la peau, peut promouvoir l'absorption de produits chimiques nocifs.
- ⚠ **AVERTISSEMENT** : l'utilisation de cet outil peut produire ou propulser des poussières qui pourraient causer des problèmes respiratoires graves et permanents ou d'autres problèmes médicaux. Portez toujours un appareil respiratoire approuvé par la NIOSH/OSHA pour vous protéger de la poussière. Dirigez les particules à l'écart de votre visage et de votre corps. Pour plus de commodité et de sécurité, les étiquettes de sécurité suivantes sont apposées sur votre scie à onglet.
- SUR LE BOÎTIER DU MOTEUR :**
- ⚠ **AVERTISSEMENT** : POUR VOTRE SÉCURITÉ, VEUILLEZ LIRE LE MODE D'EMPLOI AVANT D'UTILISER LA SCIE À ONGLETS.
- EN CAS DE RÉPARATION, UTILISER UNIQUEMENT DES PIÈCES DE RECHANGE IDENTIQUES.**

**PROTÉGER DE LA PLUIE ET NE PAS UTILISER DANS DES ENDROITS HUMIDES.
PORTER SYSTÉMATIQUEMENT UN SYSTÈME DE PROTECTION OCULAIRE ET
DES VOIES RESPIRATOIRES ADÉQUATS.**

SUR LES GUIDES MOBILES :

**AJUSTEZ TOUJOURS
CORRECTEMENT LE GUIDE
AVANT UTILISATION. FIXEZ LES
PETITES PIÈCES AVANT DE LES
DÉCOUPER. VOIR LE MANUEL.**



SUR LE PARE-MAIN :

DANGER – RESTEZ À L'ÉCART DE LA LAME.

SUR LE PARE-MAIN SUPÉRIEUR :

**FIXEZ BIEN LE SUPPORT DE FIXATION AVEC LES DEUX VIS
AVANT D'UTILISER LE PRODUIT.**

SUR LA TABLE : (À 2 ENDROITS)

**⚠️ AVERTISSEMENT : POUR VOTRE SÉCURITÉ, PRIÈRE DE LIRE LE
MODE D'EMPLOI AVANT D'UTILISER LA SCIE À ONGLETS. GARDER
LES MAINS HORS DE LA TRAJECTOIRE DE LA LAME DE LA SCIE.
NE PAS UTILISER LA SCIE SANS QUE LES PARE-MAINS NE SOIENT
EN PLACE. VÉRIFIER, AVANT CHAQUE USAGE, QUE LE PARE-MAIN INFÉRIEUR SE
FERME BIEN. TOUJOURS BIEN SERRER LES RÉGLAGES AVANT UTILISATION.
EFFECTUER TOUTE OPÉRATION EN TENANT L'OUTIL DES DEUX MAINS. NE
JAMAIS PASSER LES MAINS À L'ARRIÈRE DE LA LAME DE LA SCIE. NE JAMAIS
PASSER LES BRAS DEVANT LA LAME. ÉTEINDRE L'OUTIL ET ATTENDRE
L'ARRÊT DE LA LAME DE LA SCIE AVANT DE DÉPLACER LA PIÈCE, DE
MODIFIER LES RÉGLAGES OU DE DÉPLACER LES MAINS. DÉBRANCHER LA
SCIE AVANT DE REMPLACER UNE LAME OU PROCÉDER À UNE RÉPARATION.
AFIN DE RÉDUIRE LES RISQUES DE BLESSURES, LAISSER LA SCIE REVENIR
EN POSITION COMPLÈTEMENT RELEVÉE APRÈS CHAQUE UTILISATION. IL
SUFFIT DE RÉFLÉCHIR! VOUS POUVEZ EMPÊCHER LES ACCIDENTS.**

**DANGER
PELIGRO**

KEEP AWAY
FROM BLADE
MANTENERS ALEJADO
DE LA HOJA
S'ÉLOIGNER DE LA LAME



SUR LE SOCLE : (À 2 ENDROITS)



Connexion électrique

Assurez-vous que votre alimentation est compatible avec l'inscription de la plaque signalétique. 120 volts, C.A. signifie que votre scie fonctionne en courant alternatif. L'interrupteur est susceptible de panne en cas d'utilisation de courant continu. Une diminution de tension de 10 pour cent ou plus cause une perte de puissance et une surchauffe. Tous les outils DEWALT sont testés en usine. Si cet outil ne fonctionne pas, vérifiez l'alimentation.

Accessoires

⚠️ AVERTISSEMENT : puisque les accessoires autres que ceux offerts par DEWALT n'ont pas été testés avec ce produit, l'utilisation de ceux-ci avec l'outil pourrait s'avérer dangereuse. Pour réduire le risque de blessures, utiliser exclusivement les accessoires DEWALT recommandés avec le présent produit.

Les accessoires recommandés pour cet outil sont vendus séparément au centre de service de votre région. Pour obtenir de l'aide concernant l'achat d'un accessoire, communiquer avec DEWALT Industrial Tool Co., 701 East Joppa Road, Baltimore, MD 21286 aux États-Unis; composer le 1 (800) 4-DEWALT (1-800-433-9258) ou visiter notre site Web : www.dewalt.com.

Accessoires facultatifs (fig. 1)

Les accessoires suivants, conçus pour votre scie, peuvent vous être utiles. Dans certains cas, d'autres supports d'ouvrage, butées réglables, fixations, etc. peuvent être plus appropriés. Faites attention lors du choix et de l'utilisation d'accessoires.

Support d'ouvrage télescopique : DW7080

Il est utilisé pour soutenir de longues pièces qui dépassent. Le support d'ouvrage est assemblé par l'utilisateur. La base de la scie a été conçue pour recevoir deux supports d'ouvrage, un de chaque côté.

Butée réglable : DW7051

Nécessite l'utilisation d'un support d'ouvrage (DW7080) (se reporter à la figure 1). Elle sert à effectuer des découpes répétitives de même longueur (comprise entre 0 et 107 cm [42 po]).

Bride de fixation : DW7082 (modèle semblable inclus)

Sert à fixer fermement la pièce sur la table à scier pour une découpe de précision.

Sac à poussière : DW7053

Équipé d'une fermeture à glissière pour un vidage facile, le sac à poussière capture la plus grande partie de la sciure produite.

Guide de moulures couronnées : DW7084

Sert pour la découpe de précision de moulures couronnées.

LAMES DE SCIE : TOUJOURS UTILISER DES LAMES DE SCIE DE 305 mm (12 po) AVEC UN ALÉSAGE CENTRAL DE SOIT 25,4 mm (1 po) SOIT 15,88 mm (5/8 po). LE RÉGIME DOIT ÊTRE AU MOINS DE 4 800 TR/MIN. Ne jamais utiliser de lames de diamètre inférieur. Le protège-lame ne serait pas adéquat. Utiliser uniquement des lames à tronçonner ! Ne pas utiliser de lames conçues pour un sciage rapide, des lames combinées ou des lames à crochets d'un angle supérieur à 7°.

DESCRIPTION DES LAMES		
APPLICATION	DIAMÈTRE	DENTS
Lames de scie de construction (<i>fin trait de scie avec côté anticollant</i>)		
Polyvalente	305 mm (12 po)	40
Tronçonnage fin	305 mm (12 po)	60
Lames de scie pour travail du bois (<i>fournissent des coupes propres et régulières</i>)		
Tronçonnage fin	305 mm (12 po)	80
Métaux non ferreux	305 mm (12 po)	96

REMARQUE : pour couper des métaux non ferreux, utiliser seulement des lames à dents TCG (broyeur de particules triple) conçues à cet effet.

Désemballage de votre scie

Vérifiez le contenu du carton de votre scie à onglet pour vérifier que toutes les pièces vous ont été livrées. En plus de ce mode d'emploi, le carton devrait contenir :

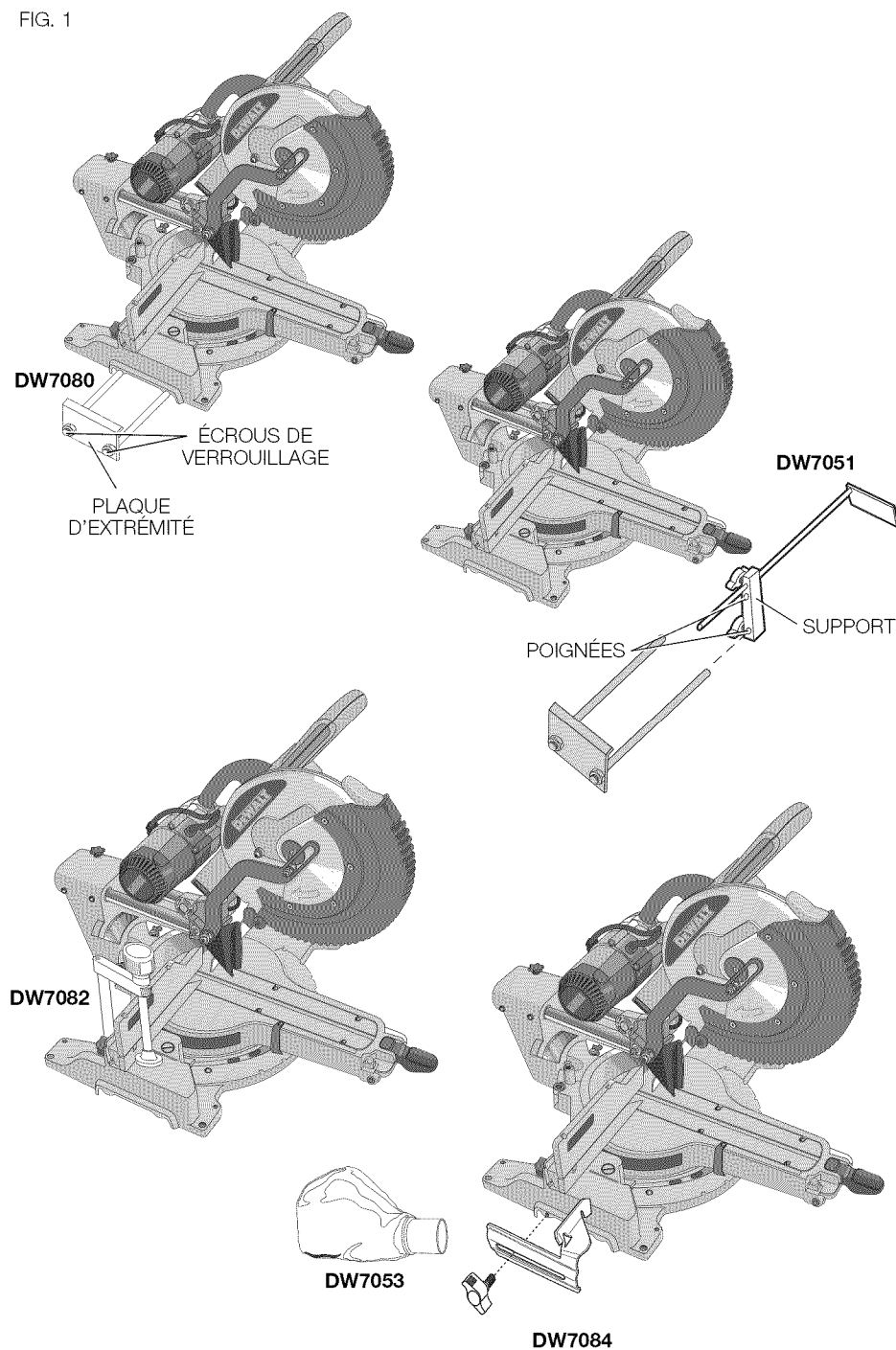
- 1 Scie à onglet DWS782
- 1 Lame de scie DEWALT de 305 mm (12 po) de diamètre
- Dans le sac :
 - 1 Clé de lame
 - 1 Sac à poussière DW7053
 - 1 Bride de fixation de matériel

Caractéristiques techniques

CAPACITÉ DE DÉCOUPE

Onglet gauche à 50°, Onglet droit à 60°
Biseau droit et gauche à 49°

FIG. 1



ANGLE	CAPACITÉ MAXIMALE DE COUPE		RÉSULTAT	
Onglet à 0°	Hauteur	112 mm (4,4 po)	Largeur	231 mm (9,1 po)
	Largeur	349 mm (13,75 po)	Hauteur	76 mm (3,0 po)
Onglet à 45°	Hauteur	112 mm (4,4 po)	Largeur	147 mm (5,8 po)
	Largeur	244 mm (9,6 po)	Hauteur	76 mm (3,0 po)
Biseau à 45° - gauche	Hauteur	79 mm (3,1 po)	Largeur	290 mm (11,4 po)
	Largeur	349 mm (13,75 po)	Hauteur	43 mm (1,7 po)
Biseau à 45° - droite	Hauteur	56 mm (2,2 po)	Largeur	290 mm (11,4 po)
	Largeur	349 mm (13,75 po)	Hauteur	28 mm (1,1 po)

Votre scie est capable de couper des moulures de plinthe à la verticale, de 20 mm (0,8 po) d'épaisseur par 171 mm (6,75 po) de hauteur pour un onglet droit ou gauche à 45°, lorsque le levier de verrouillage à glissière est utilisé (fig. 7).

REMARQUE : La scie est capable de découper de la manière suivante lorsqu'une procédure de configuration spéciale est suivie. Consulter **Découpes spéciales**.

onglet à 0°	Hauteur 38 mm (1,5 po)	Largeur 409 mm (16,1 po)
onglet à 45°	Hauteur 38 mm (1,5 po)	Largeur 297 mm (11,7 po)

Familiarisation

Votre scie à onglet est livrée entièrement assemblée dans le carton. Ouvrez la boîte pour en retirer la scie à l'aide de la poignée fonctionnelle de levage, comme illustré en figure 2.

Placez la scie sur une surface lisse et plane telle qu'un établi ou une table solide.

Examinez les figure 4 vous familiariser avec la scie et ses différentes pièces. La section concernant les réglages se référera à ces termes et vous devez savoir quelles sont les différentes pièces et où elles se trouvent.

ATTENTION : risques de pincement. Pour réduire tout risque de dommages corporels, maintenir le pouce sous la poignée de fonctionnement pour la rabaisser. Le pare-main inférieur s'élèvera alors que la poignée de fonctionnement sera abaissée, pouvant ainsi occasionner de pincements. La poignée de fonctionnement est placée près du pare-main pour des coupes particulières.

Appuyez légèrement sur la poignée de fonctionnement et tirez sur la goupille de blocage. Relâchez doucement la pression verticale et maintenez la poignée de fonctionnement tout en lui permettant de s'élever à son maximum. Utilisez la goupille de blocage pour transporter la scie d'un lieu à l'autre. Utilisez systématiquement la poignée de levage pour transporter la scie ou les indentations de prise illustrées en figure 4.

Montage sur établi

Les 4 pieds sont munis de trous pour faciliter le montage sur établi, tel qu'illustré à la figure 4 (deux trous de taille différente sont prévus afin d'accueillir des vis de différentes tailles. Utilisez l'un des trous, il n'est pas nécessaire d'utiliser les deux.) Assemblez toujours fermement votre scie sur une surface stable pour éviter tout mouvement. Pour améliorer la portabilité de

FIG. 2

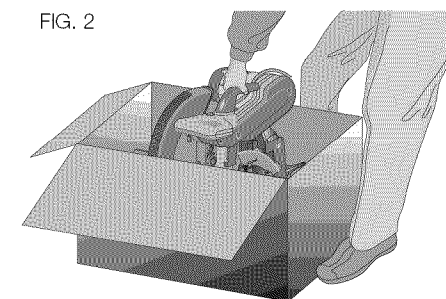
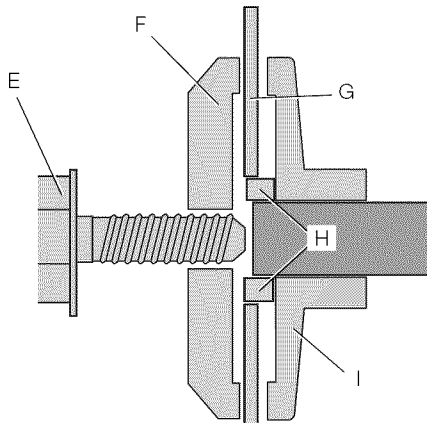
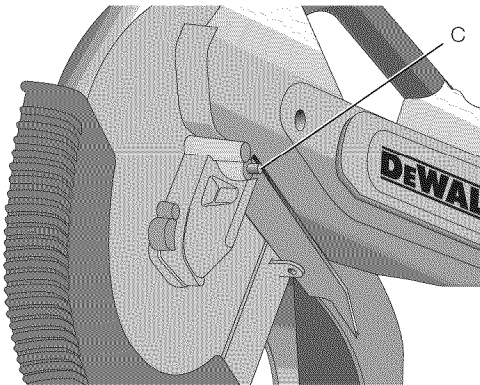
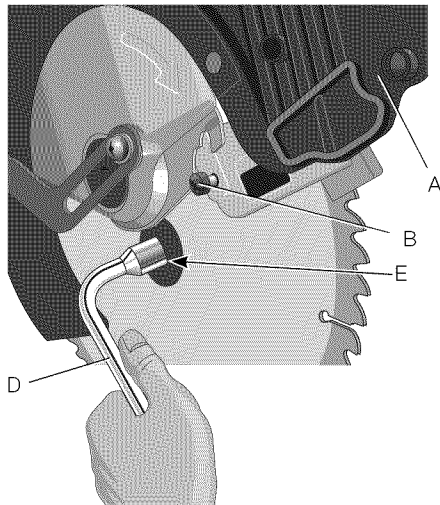


FIG. 3



l'outil, il peut être monté sur une pièce de contreplaqué de 12,7 mm (1/2 po) ou plus d'épaisseur, qui peut à son tour être fixée à votre support d'ouvrage ou déplacée vers un autre site de travail et fixée à nouveau.

REMARQUE : si vous avez décidé de monter votre scie sur une pièce de contreplaqué, assurez-vous que les vis de montage ne dépassent pas de la partie inférieure du bois. Le contreplaqué doit reposer à plat sur le support d'ouvrage. Lors de la fixation de la scie à toute surface de travail, ne la fixez que sur les brides de fixation où se situent les trous des vis de montage. L'agripper sur tout autre point interfèrera avec le bon fonctionnement de la scie.

ATTENTION : pour éviter tout grippage et manque de précision, assurez-vous que la surface de montage n'est pas tordue et ne présente pas d'autre défaut. Si la scie bascule sur la surface, placez une pièce de matériau de faible épaisseur sous l'un des pieds de la scie, jusqu'à ce que cette dernière soit fermement assise sur la surface de montage.

DIRECTIVES DE SÉCURITÉ IMPORTANTES

Changement ou pose d'une nouvelle lame de scie (fig. 3)

AVERTISSEMENT : pour réduire le risque de blessures, éteindre l'appareil et le débrancher avant d'installer ou de retirer tout accessoire et avant d'effectuer des réglages ou des réparations. Un démarrage accidentel peut provoquer des blessures.

ATTENTION :

- N'enfoncez jamais le bouton de verrouillage de la broche lorsque la lame est sous tension ou qu'elle continue de tourner après l'arrêt de la scie.
- Ne coupez pas de métal ferreux (contenant du fer ou de l'acier), un élément de maçonnerie ou du fibrociment avec cette scie à onglet.

Dépose de la lame (fig. 3)

1. Débranchez la scie.
2. Soulevez le bras jusqu'à la position supérieure, puis levez le pare-main (A) aussi haut que possible.
3. Desserrez la vis du support du pare-main (B) sans l'enlever de manière à ce que le support puisse être levé suffisamment haut pour accéder à la vis de la lame (E). Le pare-main inférieur demeurera levé en raison de la position de la vis du support de pare-main.
4. Enfoncez le bouton de verrouillage de la broche (C) tout en tournant la lame de scie manuellement de manière à engager le dispositif de verrouillage.
5. Maintenez le bouton enfoncé et utilisez l'autre main et la clé fournie (D) pour desserrer la vis de la lame. (Tournez dans le sens horaire, filets inversés.)

6. Enlever la vis (E), l'attache de lame extérieure (F), la lame (G) et l'adaptateur de lame (H), si utilisé. L'attache de lame de fixation intérieure (I) peuvent être laissés sur la broche.

REMARQUE : l'adaptateur de lame de 25,4 mm (1 po) (H) n'est pas utilisé pour les lames dotées d'un trou de lame de 15,88 mm (5/8 po).

Pose d'une lame (fig. 3)

1. Débranchez la scie.
2. Avec le bras relevé, le dispositif de protection inférieur ouvert sur son support, placer la lame sur la broche, sur l'adaptateur de lame (si une lame à trou de 25,4 mm [1 po] est utilisée), et contre l'attache de lame de fixation intérieure, les dents se trouvant au bas de la lame et pointant vers l'arrière de la scie.
3. Installez l'attache de lame extérieure sur la broche.
4. Posez la vis de la lame et, tout en engageant le bouton de verrouillage de la broche, serrez fermement la vis avec la clé fournie (tournez dans le sens antihoraire, filets inversés).

REMARQUE : lorsqu'une lame avec un alésage central de 15,88 mm (5/8 po) est utilisée, l'adaptateur de lame n'est pas utile et doit être rangé soigneusement pour future utilisation. L'adaptateur de lame n'est pas disponible avec tous les modèles.

5. Remettez le support de pare-main à sa position d'origine, puis serrez fermement la vis du support de pare-main afin de maintenir en place le support.

AVERTISSEMENT :

- Le support du pare-main doit être remis dans sa position originale et sa vis soigneusement serrée avant l'activation de la scie.
- Si vous négligez de faire, le pare-main risque d'entrer en contact avec la lame de scie tournante et ainsi causer des dommages à la scie et des blessures corporelles sérieuses

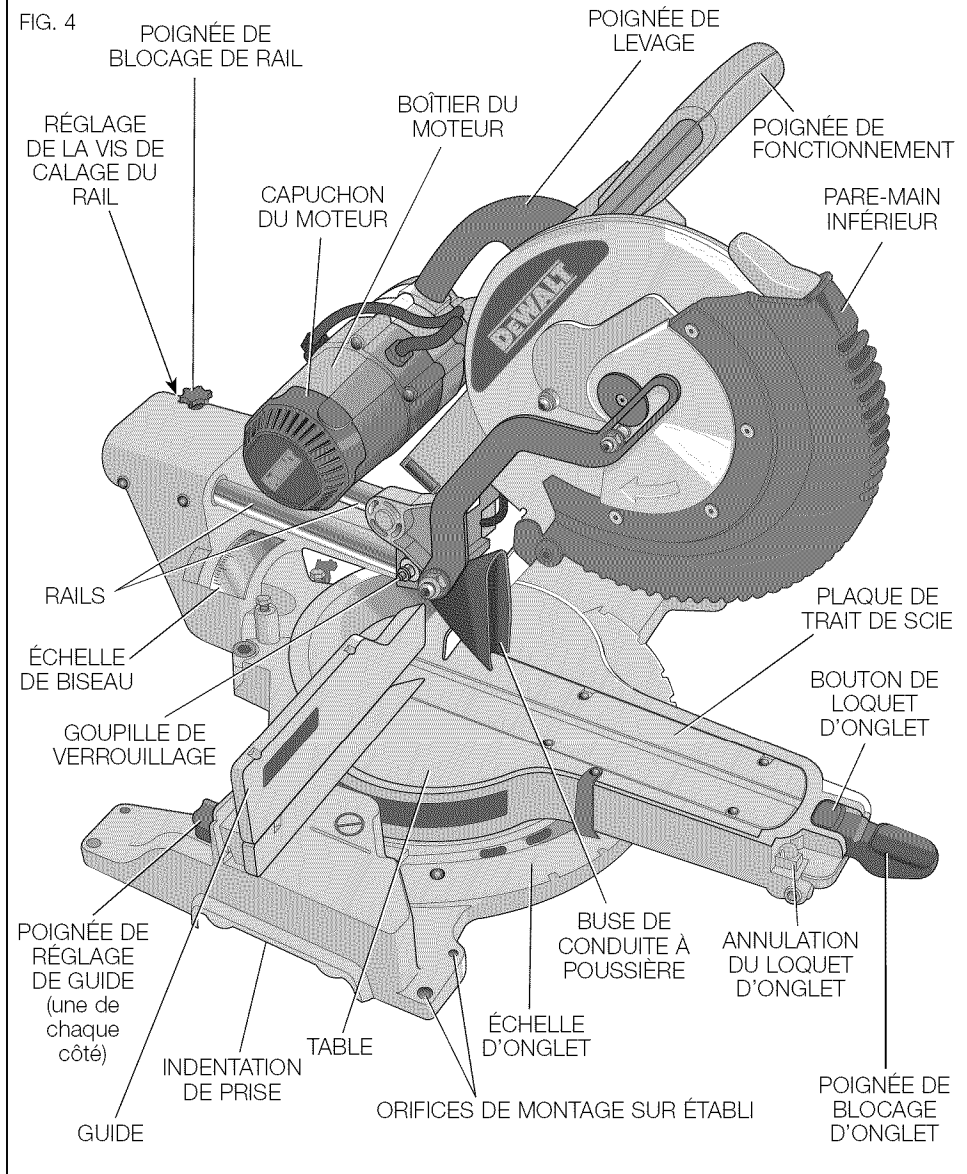
Transport de la scie

AVERTISSEMENT : pour réduire le risque de blessures, éteindre l'appareil et le débrancher avant d'installer ou de retirer tout accessoire et avant d'effectuer des réglages ou des réparations. Un démarrage accidentel peut provoquer des blessures.

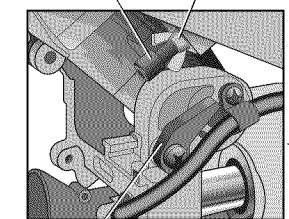
AVERTISSEMENT : pour réduire tout risque de dommages corporels graves, verrouiller SYSTÉMATIQUEMENT la molette de verrouillage de rail, la manette de verrouillage d'onglet, la manette de verrouillage de chanfrein, la goupille de blocage, et le bouton de réglage de guide, avant de transporter la scie.

Pour faciliter le déplacement de la scie à onglet d'un lieu à un autre, une poignée de levage a été incluse sur le dessus du bras de scie et des indentations de prise sur la base, comme illustré en figure 4.

FIG. 4



VIS DE RÉGLAGE DE PROFONDEUR



BUTÉE DE PROFONDEUR

POIGNÉE DE RÉGLAGE DE GUIDE (une de chaque côté)

CLÉ DE LAME

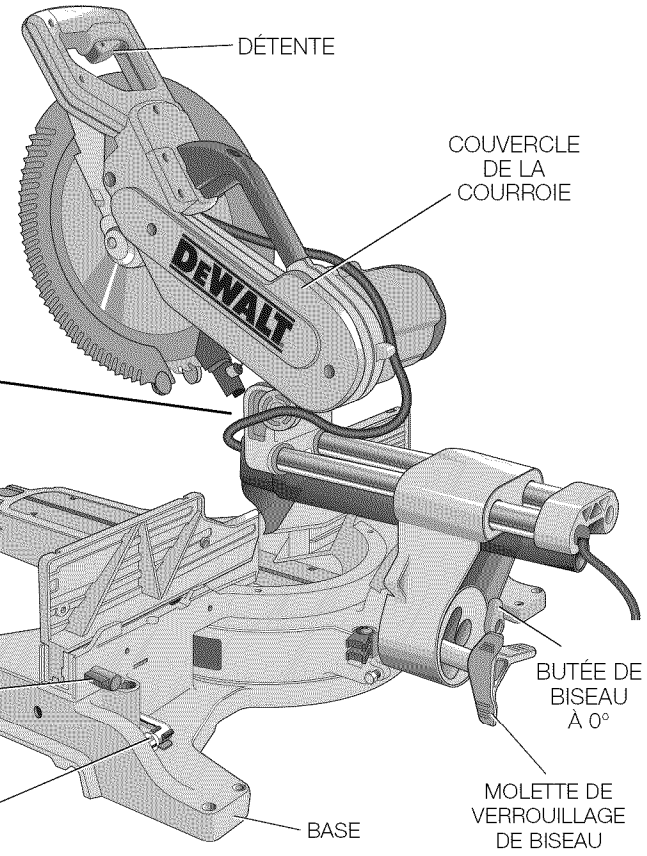


FIG. 5

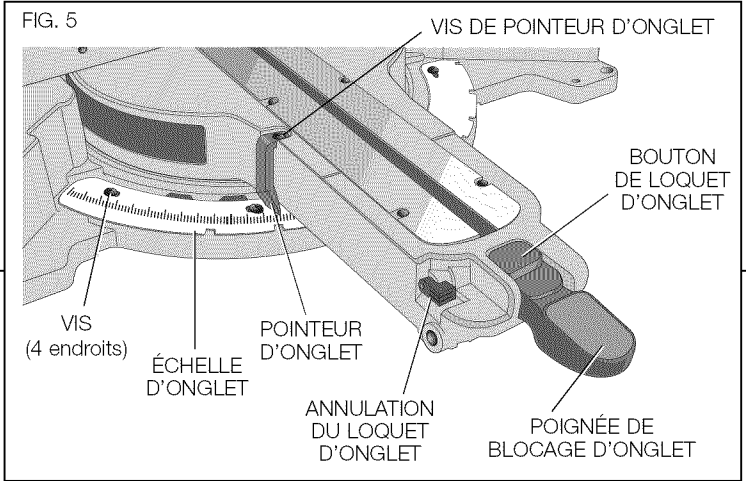


FIG. 6

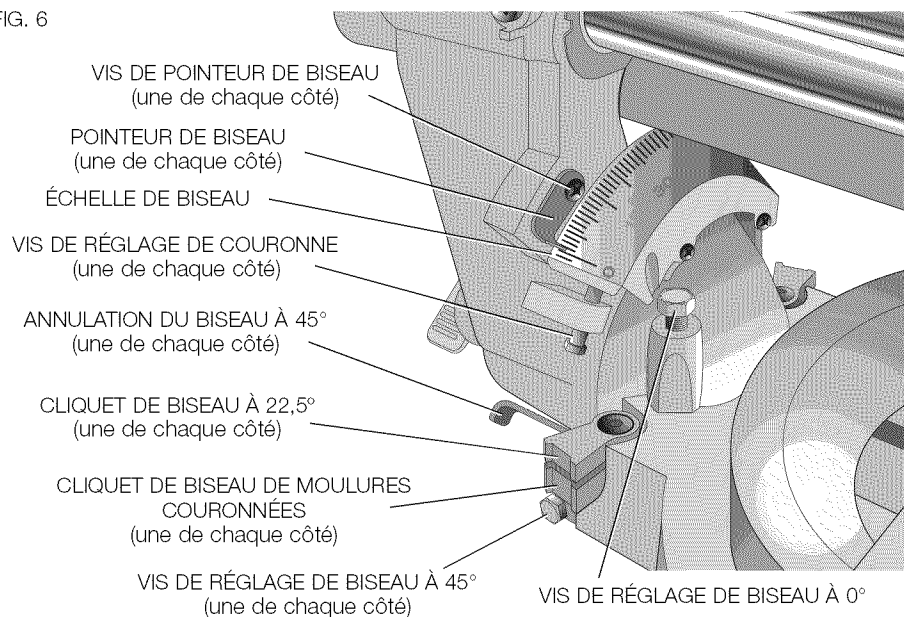


FIG. 7

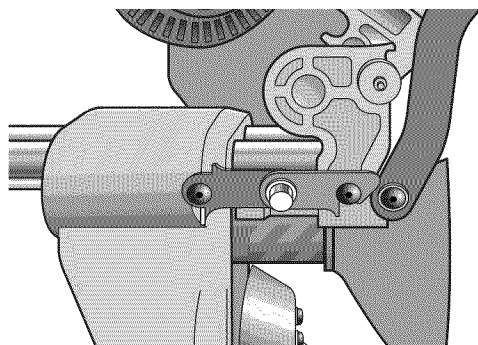
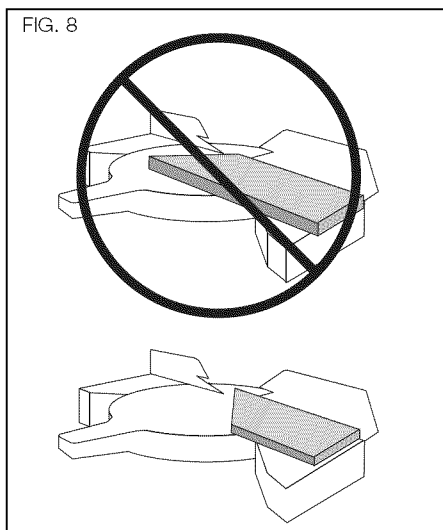


FIG. 8



CARACTÉRISTIQUES ET OPTIONS

⚠ AVERTISSEMENT : pour réduire le risque de blessures, éteindre l'appareil et le débrancher avant d'installer ou de retirer tout accessoire et avant d'effectuer des réglages ou des réparations. Un démarrage accidentel peut provoquer des blessures.

COMMANDES D'ONGLET (FIG. 5)

La poignée de blocage d'onglet et le bouton de loquet d'onglet permettent d'ajuster l'onglet de votre scie à 60° à droite et 50° à gauche. Pour ajuster l'onglet, soulevez le loquet d'onglet, puis appuyez sur le bouton de loquet d'onglet et ajustez l'angle d'onglet désiré sur l'échelle d'onglet. Abaissez la poignée de blocage d'onglet pour verrouiller l'angle d'onglet.

DÉTENTE (FIG. 4)

La détente met en marche et arrête la scie. Un trou est prévu dans l'interrupteur pour y insérer un cadenas et verrouiller la scie.

ANNULATION DU LOQUET D'ONGLET (FIG. 5)

L'annulation du loquet d'onglet permet de désactiver les butées habituelles d'angle de la scie. Pour les désactiver, poussez sur le bouton de loquet d'onglet et tournez le levier d'annulation du loquet d'onglet à la verticale.

MOLETTE DE VERROUILLAGE DE BISEAU (FIG. 4)

Le verrouillage de biseau vous permet de régler le biseau de la scie à 49° à gauche ou à droite. Pour régler le paramètre de biseau, tournez le bouton vers la gauche. La tête de scie ajuste facilement le biseau vers la gauche ou la droite une fois que la molette d'annulation de biseau à 0° est tirée. Pour la resserrer, tournez la molette de verrouillage de biseau vers la droite.

ANNULATION DU BISEAU À 0° (FIG. 4)

L'annulation de butée de biseau permet de régler le biseau de la scie vers la droite, au-delà du repère de 0°.

Une fois activée, la scie s'arrêtera automatiquement sur la butée à 0° lorsqu'elle sera amenée depuis la gauche. Pour passer au-delà de 0° à droite, tirez sur la molette de verrouillage de biseau. Une fois la molette relâchée, le mécanisme d'annulation sera réactivé. La molette de verrouillage de biseau peut être déverrouillée en la tournant à 180°. À 0°, le mécanisme d'annulation est verrouillé. Pour activer le mécanisme d'annulation, inclinez la scie légèrement vers la gauche.

ANNULATION DE BUTÉE DE BISEAU À 45° (FIG. 6)

Il y a deux leviers d'annulation de butée de biseau, un de chaque côté de la scie. Pour régler le biseau de scie, à gauche ou à droite, au-delà de 45°, poussez le levier arrière d'annulation du biseau à 45°. En position arrière, le biseau de scie pourra aller au-delà de ces butées. Lorsque les butées à 45° sont nécessaires, tirez le levier d'annulation du biseau à 45° vers l'avant.

CLIQUETS DE BISEAU DE MOULURES COURONNÉES (FIG. 6)

Pour découper à plat des moulures couronnées, votre scie est équipée pour régler avec précision et rapidité une butée de moulures couronnées, à gauche ou à droite (se reporter aux sections **Instruction pour la découpe de moulures couronnées à plat et en utilisant les onglets mixtes**). Le cliquet de biseau de moulures couronnées peut être tourné pour toucher la vis de réglage de moulure couronnée. La scie est réglée d'usine pour découper des moulures couronnées typiques en Amérique du Nord (52/38), mais peut être inversée pour des coupes atypiques (45/45). Pour inverser le cliquet de biseau de moulures couronnées, retirez la vis de fixation, le cliquet de biseau à 22,5° et le cliquet de biseau de moulures couronnées à 33,9°. Inversez le cliquet de biseau de moulures couronnées de façon à ce que l'inscription « 30° » soit sur le dessus. Revissez la vis pour fixer le cliquet de biseau à 22,5° et le cliquet de biseau de moulures couronnées. La précision de réglage ne sera pas affectée.

CLIQUETS DE BISEAU À 22,5° (FIG. 6)

Votre scie est équipée pour régler avec précision et rapidité un biseau à 22,5°, à gauche ou à droite. Le cliquet de biseau à 22,5° peut être tourné pour toucher la vis de réglage de moulure couronnée.

POIGNÉE DE BLOCAGE DE RAIL (FIG. 4)

La poignée de blocage de rail vous permet de verrouiller fermement la tête de scie pour l'empêcher de glisser sur les rails. C'est nécessaire pour effectuer certaines coupes ou pour transporter la scie.

BUTÉE DE PROFONDEUR (FIG. 4)

La butée de profondeur permet de limiter la profondeur de coupe de la lame. La butée est utile pour des applications comme le rainurage et les coupes verticales hautes. Tournez la butée de profondeur vers l'avant et ajustez la vis de réglage de profondeur sur la profondeur de coupe désirée. Pour arrimer le réglage, resserrez l'écrou à ailettes. Tournez la butée de profondeur vers l'arrière de la scie pour passer outre la fonctionnalité de butée de profondeur. Si la vis de réglage de profondeur est trop serrée pour la dévisser manuellement, utilisez la clé pour lame fournie avec la scie.

GOUPILLE DE BLOCAGE (FIG. 4)

⚠️ AVERTISSEMENT : la goupille de blocage ne doit être utilisée que pour transporter ou entreposer la scie. Ne JAMAIS utiliser la goupille de blocage pendant la découpe.

Pour verrouiller la tête de scie en position basse, poussez la tête de scie vers le bas, poussez sur la goupille de blocage puis relâchez la tête de scie. Cela maintiendra solidement la tête de scie en position basse pour déplacer la scie d'un lieu à l'autre. Pour la libérer, appuyez sur la tête de scie et retirez la goupille.

LEVIER DE VERROUILLAGE À GLISSIÈRE (FIG. 7)

Le levier de verrouillage à glissière permet de positionner la scie pour maximiser la découpe de moulure de base verticalement, comme illustré en figure 16.

FREIN ÉLECTRIQUE AUTOMATIQUE

Votre scie est équipée d'un frein de lame électrique automatique qui arrête la lame de la scie dans les 5 secondes qui suivent le relâchement de la détente. Cela n'est pas réglable.

Un délai peut parfois se produire entre le relâchement de la détente et l'engagement du frein. En de rares occasions, le frein peut ne pas s'engager du tout et la lame ralentira jusqu'à s'arrêter complètement.

Si un délai ou un « saut » se produit, allumez et éteignez la scie 4 ou 5 fois. Si le problème persiste, faites réparer l'outil par un centre de service agréé DEWALT.

Assurez-vous toujours que la lame s'est arrêtée avant de la retirer du trait de scie. Le frein n'est pas un remplacement pour les pare-mains. Pour assurer votre sécurité, concentrez-vous entièrement sur la scie.

FONCTIONNEMENT

⚠️ AVERTISSEMENT : pour réduire le risque de blessures, éteindre l'appareil et le débrancher avant d'installer ou de retirer tout accessoire et avant d'effectuer des réglages ou des réparations. Un démarrage accidentel peut provoquer des blessures.

⚠️ AVERTISSEMENT: toujours porter une protection oculaire. Tous les utilisateurs et spectateurs doivent porter une protection oculaire conforme à la norme ANSI Z87.1 (CAN/CSA Z94.3).

Branchez la scie sur une alimentation domestique standard en 60 Hz. Référez-vous à la plaque signalétique pour la tension. Assurez-vous que le cordon n'interférera pas avec votre travail.

Détente (fig. 4)

Pour mettre l'outil en marche, appuyez sur la détente. Pour arrêter l'outil, relâchez la détente.

Laissez la lame tourner à plein régime avant de commencer la découpe. Relâchez la détente et laissez le frein arrêter la lame avant de soulever la tête de scie. La détente ne peut être verrouillée en marche, mais un trou est prévu dans l'interrupteur pour y insérer un cadenas et verrouiller la scie à l'arrêt.

Découpe à l'aide de votre scie

Si la fonction de glissement n'est pas utilisée, s'assurer que la tête de la scie est reculée aussi loin que possible et que la poignée de blocage de rail est serrée. Cela permettra d'éviter que la scie glisse le long de ses rails quand la pièce de travail est engagée.

REMARQUE : même si cette scie peut découper le bois et de nombreux matériaux non ferreux, nous limiterons les explications détaillées à la découpe du bois. Les mêmes directives s'appliquent aux autres matériaux. **NE COUPEZ PAS À L'AIDE DE CETTE SCIE DE MATÉRIAU FERREUX (FER ET ACIER) OU D'ÉLÉMENT DE MAÇONNERIE.** N'utilisez pas de lame abrasive.

REMARQUE : se reporter au paragraphe **Activation du pare-main et visibilité** sous la section **Réglages** pour obtenir des informations importantes sur le pare-main inférieur avant la découpe.

COUPES TRANSVERSALES

Une coupe transversale est une coupe de bois effectuée au travers du fil à n'importe quel angle. Une coupe transversale droite s'effectue avec le bras d'onglet en position zéro degré. Réglez et verrouillez le bras d'onglet à zéro, maintenez fermement le bois en place sur la table et contre le guide. Après avoir serré la poignée de blocage de rail, mettez la scie en marche en appuyant sur la détente vers le bas comme illustré à la figure 4.

Lorsque la scie atteint son plein régime (en environ 1 seconde), baissez doucement et lentement le bras pour découper le bois. Laissez la lame s'arrêter complètement avant de relever le bras.

Lors de la découpe de toute pièce plus grande que 51 x 203 mm (2 x 8 po [ou 51 x 152 mm (2 x 6) avec un onglet à 45°]), utilisez un mouvement extérieur-bas-retour après avoir desserré la poignée de blocage de rail. Tirez la scie vers vous, abaissez la tête de scie vers la pièce et repoussez lentement la scie pour terminer la coupe. Ne laissez pas la scie entrer en contact avec le sommet de la pièce lorsque vous tirez dessus. La scie pourrait se déplacer rapidement vers vous et pourrait entraîner une blessure corporelle ou endommager votre pièce.

La découpe de plusieurs pièces n'est pas recommandée mais elle peut être effectuée en toute sécurité en s'assurant que chaque pièce est maintenue fermement en place contre la table et le guide.

REMARQUE : afin d'augmenter la capacité de coupe transversale avec des coups de scie réduits, la lame du DWS782 s'étend plus profondément dans la table. Il s'ensuit que la force de levage exercée sur la pièce durant la coupe peut être plus importante.

⚠️ AVERTISSEMENT : utilisez systématiquement une bride de fixation pour maintenir le contrôle de la pièce à travailler et réduire les risques de dommages matériels et corporels, si vos mains doivent se trouver dans 152 mm (6 po) de la lame pendant la découpe.

REMARQUE : la poignée de blocage de rail illustrée à la figure 4 doit être desserrée pour permettre à la scie de glisser le long de ses rails.

Les coupes transversales d'onglet sont effectuées avec le bras d'onglet réglé sur un angle autre que zéro. Cet angle est souvent à 45° pour faire des coins, mais il peut être ajusté différemment entre zéro et 50° à gauche ou 60° à droite. Effectuez la coupe comme décrit ci-dessus.

Si vous effectuez une coupe à onglet sur une pièce d'une largeur supérieure à 2 x 6, mais de longueur inférieure, placez systématiquement le côté le plus long le long du guide (fig. 8). Pour couper une pièce en suivant une ligne au crayon, essayer de faire correspondre le plus possible l'angle. Couper d'abord la pièce un peu plus longue puis mesurer de la ligne au crayon au bord coupé pour déterminer la direction de réglage de l'angle d'onglet puis couper de nouveau. Il faut un peu de pratique mais cette technique demeure toutefois très utilisée.

COUPES EN BISEAU

Une coupe en biseau est une coupe transversale effectuée alors que la lame de scie forme un angle avec le bois. Pour régler le biseau, desserrez le verrouillage de biseau (fig. 4), et déplacez la scie sur la droite ou sur la gauche comme désiré (déplacez le guide pour laisser un espace suffisant le cas échéant). Une fois l'angle de biseau désiré ajusté, resserrez fermement le verrouillage de biseau. Reportez-vous à la section **Caractéristiques et options** pour des instructions détaillées quant au dispositif à biseau.

Les angles de biseau peuvent être définis entre 49° à droite et 49° à gauche et peuvent être coupés avec l'arbre à onglet positionné entre 50° à gauche et 60° à droite. Dans le cas de certains angles extrêmes, il est possible de devoir retirer le guide de gauche ou de droite. Pour retirer le guide droit ou gauche, dévissez la poignée de réglage de guide de plusieurs tours puis enlevez-le.

REMARQUE : se reporter au paragraphe **Ajustement du guide** sous la section **Réglages** pour des informations importantes quant au réglage des guides pour certaines coupes en biseau.

QUALITÉ DE COUPE

La qualité de toute coupe dépend de plusieurs variables. Des paramètres tels que le matériau coupé, le type de lame, la dureté de la lame et la vitesse de coupe contribuent tous à la qualité de coupe.

Lorsque des coupes plus régulières sont souhaitées, notamment dans le cas de moules ou d'autres travaux de précision, une lame aiguisée (60 dents en carbure) et une vitesse de coupe plus faible et plus régulière produiront le résultat souhaité.

S'assurer que le matériau ne bougera ou ne glissera pas pendant la découpe; l'arrimer soigneusement en place. Attendre systématiquement l'arrêt complet de la lame avant de soulever le bras de scie.

Si de petites fibres de bois sont toujours projetées à l'arrière de la pièce, placez un morceau de ruban adhésif de carrossier sur le bois à l'endroit où la coupe sera effectuée. Sciez à travers le ruban adhésif et retirez-le soigneusement lorsque vous avez terminé.

Pour différentes applications de coupe, consultez la liste de lames de scie recommandées pour votre outil et sélectionnez celle qui s'adapte le mieux à vos besoins. Consulter **Lames de scie** sous **Accessoires facultatifs**.

POSITION DU CORPS ET DES MAINS (FIG. 9A, 9B)

Un positionnement adéquat de votre corps et de vos mains lors de l'utilisation de la scie à onglet rendra la coupe plus facile, plus précise et plus sûre. Ne placez jamais vos mains à proximité de la zone de coupe. Ne les placez pas à moins de 152 mm (6 po) de la lame. Maintenez fermement la pièce en place contre la table et le guide pendant l'opération de coupe. Gardez vos mains en position jusqu'au relâchement de la détente et à l'arrêt complet de la lame. EFFECTUEZ

TOUJOURS DES ESSAIS À BLANC (SANS ALIMENTATION) AVANT DE RÉALISER VOS COUPES AFIN DE VÉRIFIER LA TRAJECTOIRE DE LA LAME. NE CROISEZ PAS LES MAINS, TEL QU'ILLUSTRÉ À LA FIGURE 9B.

Gardez vos pieds ancrés au sol afin de maintenir votre équilibre. Lorsque vous déplacez le bras d'onglet vers la gauche ou la droite, suivez-le et tenez-vous légèrement sur le côté de la lame de la scie. Observez au travers des persiennes du pare-main lorsque vous suivez un trait tiré au crayon.

FIXATION DE LA PIÈCE

⚠ AVERTISSEMENT : pour réduire le risque de blessures, éteindre l'appareil et le débrancher avant d'installer ou de retirer tout accessoire et avant d'effectuer des réglages ou des réparations. Un démarrage accidentel peut provoquer des blessures.

⚠ AVERTISSEMENT : une pièce de travail qui est bloquée, équilibrée et fixée avant d'être coupée peut devenir déséquilibrée après la coupe. Une charge déséquilibrée risque de faire basculer la scie ou toute chose à laquelle la scie est fixée, comme une table ou un établi. Au moment de couper une pièce qui risque d'être déséquilibrée, s'assurer qu'elle est bien soutenue et que la scie est bien boulonnée à une surface stable. Sinon, il y aurait risque de blessures corporelles.

⚠ AVERTISSEMENT : le pied de la bride doit être encastré au-dessus de la base de la scie chaque fois que la bride est utilisée. Toujours serrer la pièce à la base de la scie et non à une autre partie de la zone de travail. S'assurer que le pied de la bride n'est pas serré au bord de la base de la scie.

⚠ ATTENTION : utilisez systématiquement une bride de fixation pour maintenir le contrôle de la pièce à travailler et réduire les risques de dommages matériels et corporels, si vos mains doivent se trouver dans 152 mm (6 po) de la lame pendant la découpe.

Si vous ne pouvez pas manuellement maintenir la pièce sur la table et contre le guide (à cause d'une forme irrégulière ou d'une autre raison) ou que votre main se trouverait à moins de 152 mm (6 po) de la lame, vous devez utiliser un pinceur de travail ou une autre fixation.

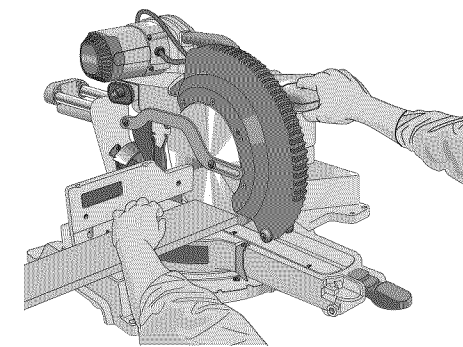
Utilisez la bride de fixation de matériel fournie avec votre scie. Pour acheter une bride de fixation, veuillez contacter votre détaillant local ou un centre de réparation DEWALT.

D'autres accessoires tels que pinces à ressort, serres à barre ou serre-joint en C peuvent être adaptées à certaines tailles et formes de matériaux. Prêtez attention lors de la sélection et de la pose de ces fixations. Prenez le temps d'effectuer un essai à blanc avant d'entamer la coupe. Les guides de gauche et de droite coulisent d'un côté à l'autre pour faciliter l'opération de pinçage.

INSTALLATION DE LA BRIDE

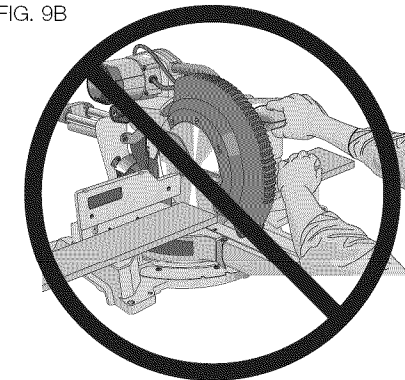
1. L'insérer dans le trou situé derrière le guide. La bride doit être face à l'arrière de la scie à onglets. La rainure logée

FIG. 9A



COUPE ADÉQUATE

FIG. 9B



COUPE INADÉQUATE

dans la tige de la bride doit être bien insérée dans la base. S'assurer que cette rainure est bien insérée dans la base de la scie à onglets. Si la rainure est visible, cela signifie que la bride est mal fixée.

2. Tourner la bride de 180° vers l'avant de la scie à onglets.
3. Desserrer la poignée pour monter ou descendre la bride, puis utiliser le bouton de réglage fin pour serrer fermement la pièce.

REMARQUE: placer la bride du côté opposé à la base pour le biseautage. TOUJOURS EFFECTUER DES MARCHES À SEC (SANS ALIMENTATION) AVANT DE RÉALISER VOS COUPES AFIN DE VÉRIFIER LA TRAJECTOIRE DE LA LAME. S'ASSURER QUE LA BRIDE N'OBSTRUE PAS LE MOUVEMENT DE LA SCIE OU DES DISPOSITIFS DE PROTECTION.

RÉGLAGES

⚠ AVERTISSEMENT : pour réduire le risque de blessures, éteindre l'appareil et le débrancher avant d'installer ou de retirer tout accessoire et avant d'effectuer des réglages ou des réparations. Un démarrage accidentel peut provoquer des blessures.

Votre scie à onglet a été parfaitement et précisément réglée en usine au moment de sa fabrication. Si en raison du transport, de la manutention, ou pour toute autre raison, un ajustement s'avérait nécessaire, suivez les instructions ci-après pour régler votre scie.

Une fois effectués, ces réglages devraient demeurer corrects. Prenez, dès à présent, un minimum de temps pour suivre soigneusement ces directives pour maintenir la précision dont votre scie est capable.

RÉGLAGE DE L'ÉCHELLE D'ONGLET (FIG. 5, 10)

Verrouillez la tête de scie en position basse. Déverrouillez la poignée de blocage d'onglet et faites pivoter le bras d'onglet jusqu'à ce que le bouton de loquet d'onglet s'enclenche sur la position d'onglet à 0°. Ne verrouillez pas la poignée de blocage d'onglet. Appliquez une équerre contre le guide de scie et la lame, comme illustré. (Ne pas mettre en contact l'équerre avec la pointe des dents de lame. Cela donnerait une mesure inexacte.) Si la lame n'est pas parfaitement perpendiculaire au guide, desserrez les quatre vis maintenant l'échelle d'onglet et déplacez la poignée de blocage d'onglet et l'échelle, vers la gauche ou la droite, jusqu'à ce que la lame soit perpendiculaire au guide (vérifiez avec l'équerre.) Resserrez les quatre vis. Ne faites pas attention aux indications données par le pointeur d'onglet à ce stade.

RÉGLAGE DU POINTEUR D'ONGLET (FIG. 5)

Déverrouillez la poignée de blocage d'onglet pour déplacer le bras d'onglet sur la position zéro. Alors que le loquet d'onglet est déverrouillé, laissez le verrou d'onglet s'enclencher en place en amenant le bras d'onglet sur zéro. Observez le pointeur d'onglet et l'échelle d'onglet illustrés en figure 5. Si le pointeur n'indique pas exactement zéro, desserrez la vis du pointeur d'onglet tout en maintenant le pointeur fixe, puis repositionnez le pointeur et resserrez la vis.

AJUSTEMENT D'UNE FAUSSE ÉQUERRE À LA TABLE (FIG. 4, 6, 11)

Pour aligner la lame perpendiculairement à la table, verrouillez le bras de scie en position basse avec la goupille de blocage. Placez une équerre contre la lame, en vous assurant que l'équerre ne soit pas sur une dent. Desserrez la molette de verrouillage de biseau et assurez-vous que le bras est fermement appuyé contre la butée de biseau à 0°. Tournez la vis de réglage du biseau à 0° à l'aide de la clé pour lame de 13 mm (1/2 po) jusqu'à ce que la lame forme un biseau de 0° avec la table, mesure effectuée à l'aide de l'équerre.

POINTEUR DE BISEAU (FIG. 6)

Si le pointeur de biseau n'indique pas zéro, desserrez les vis maintenant en place chacun des pointeurs de biseau et déplacez-les comme nécessaire. Assurez-vous que le biseau à 0° est correct et que les pointeurs de biseau sont bien réglés avant d'ajuster toute autre vis d'angle de biseau.

RÉGLAGE DE BUTÉE DE BISEAU À 45°, À DROITE ET À GAUCHE (FIG. 4, 6)

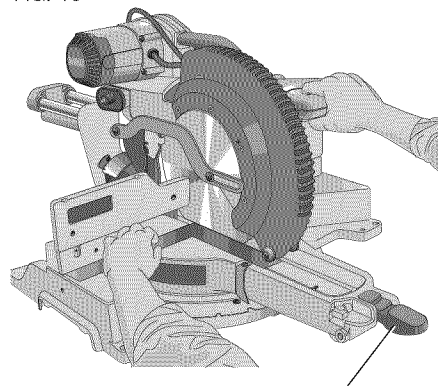
Pour ajuster l'angle de biseau droit à 45°, desserrez la molette de verrouillage de biseau et tirez sur la butée de biseau à 0° pour la désactiver. Lorsque la scie est complètement à droite, et que le pointeur de biseau n'indique pas exactement 45°, tournez la vis de réglage du biseau à 45° à l'aide de la clé pour lame de 13 mm (1/2 po) jusqu'à ce que le pointeur de biseau indique 45°.

Pour ajuster la butée de biseau gauche à 45°, desserrez d'abord la molette de verrouillage de biseau puis inclinez la tête vers la gauche. Si le pointeur de biseau n'indique pas exactement 45°, tournez la vis de réglage de biseau à 45° jusqu'à ce que le pointeur de biseau indique 45°.

RÉGLAGE DE LA BUTÉE DE BISEAU À 22,5° (OU 33,9°) (FIG. 4, 6)

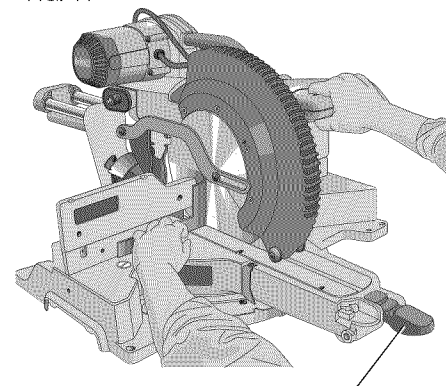
REMARQUE : régler les angles de biseau seulement après avoir effectué les réglages d'angle de biseau et de pointeur de biseau à 0°.

FIG. 10



POIGNÉE DE BLOCAGE D'ONGLET

FIG. 11



POIGNÉE DE BLOCAGE D'ONGLET

Pour ajuster l'angle de biseau gauche à 22,5°, faites basculer le cliquet de biseau gauche à 22,5°. Desserrez la molette de verrouillage de biseau puis inclinez la tête complètement vers la gauche. Si le pointeur de biseau n'indique pas exactement 22,5°, tournez la vis de réglage de couronne touchant le cliquet à l'aide d'une clé de 10 mm (7/16 po) jusqu'à ce que le pointeur de biseau indique 22,5°.

Pour ajuster l'angle de biseau droit à 22,5°, faites basculer le cliquet de biseau droit à 22,5°. Desserrez la molette de verrouillage de biseau et tirez sur la butée de biseau à 0° pour la désactiver. Lorsque la scie est complètement à droite, si le pointeur de biseau n'indique pas exactement 22,5°, tournez la vis de réglage de couronne touchant le cliquet à l'aide d'une clé de 10 mm (7/16 po) jusqu'à ce que le pointeur de biseau indique exactement 22,5°.

AJUSTEMENT DU GUIDE (FIG. 4)

Pour permettre d'ajuster la scie sur plusieurs positions de biseau, il pourra s'avérer nécessaire d'ajuster l'un des guides pour offrir un espacement suffisant. Pour régler chaque guide, desserrez la poignée de réglage de guide et poussez le guide vers l'extérieur. Faites un essai à vide avec la scie sans la mettre en marche pour vérifier si l'espace est suffisant. Ajustez le guide le plus près possible de la lame pour offrir un support maximum à la pièce à travailler, sans pour autant interférer avec le mouvement vertical du bras. Resserrez soigneusement la poignée de réglage de guide. N'oubliez pas de remettre le guide en place une fois les opérations de biseau terminées.

Pour certaines coupes, il pourra s'avérer nécessaire de rapprocher les guides de la lame. Pour ce, desserrez les molettes d'ajustement du guide de deux tours puis rapprochez les guides de la lame, au-delà des limites habituelles, puis resserrez les molettes d'ajustement du guide pour maintenir les guides dans cette position. Lorsque vous utilisez cette fonctionnalité, faites un passage à vide pour vous assurer que la lame n'entrera pas en contact avec les guides.

REMARQUE : dû à la sciure, les rails des guides pourront s'encrasser. Si c'est le cas, utiliser une brosse ou de l'air comprimé, faible intensité, pour nettoyer les rainures des guides.

ACTIVATION DU PARE-MAIN ET VISIBILITÉ (FIG. 4)

⚠ ATTENTION : risques de pincement. Pour réduire tout risque de dommages corporels, maintenir le pouce sous la poignée de fonctionnement pour la rabaisser. Le pare-main inférieur s'élèvera alors que la poignée de fonctionnement sera abaissée, et cela pourrait vous pincer.

Le pare-main inférieur de votre scie a été conçu pour découvrir automatiquement la lame lorsque le bras est abaissé et pour couvrir la lame lorsque le bras est relevé.

Le pare-main peut être élevé manuellement pour installer ou retirer les lames de scie ou pour inspecter la scie. **NE JAMAIS ÉLEVER LE PARE-MAIN INFÉRIEUR MANUELLEMENT SI LA LAME N'EST PAS À L'ARRÊT COMPLET.**

REMARQUE : certaines découpes spéciales de matériaux de grande taille requièrent de soulever manuellement le pare-main. Consulter **Découpe de grands matériaux** sous **Découpes spéciales**.

La partie frontale du pare-main est persiennée pour offrir de la visibilité pendant la découpe. Bien que les persiennes réduisent drastiquement les projections de débris, il s'agit d'ouvertures dans le pare-main; vous devez donc toujours porter des lunettes de sécurité lorsque vous regardez au travers des persiennes.

RÉGLAGE DES PLAQUES DE TRAIT (FIG. 4)

Pour ajuster les plaques de trait, desserrez les vis les maintenant en place. Ajustez les plaques de trait aussi près que possible sans qu'elles interfèrent avec le mouvement de la lame.

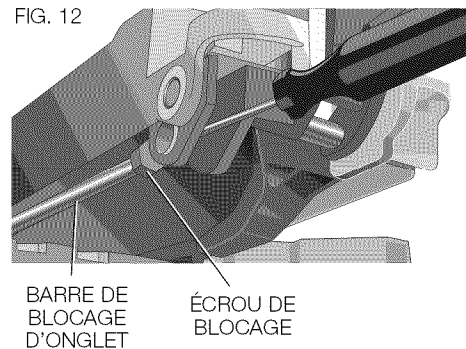
Si vous désirez une largeur de trait nulle, réglez les plaques de trait aussi près que possible l'une de l'autre. Elles peuvent alors être coupées lentement avec la lame pour laisser l'espace le plus réduit possible entre la lame et les plaques de trait.

RÉGLAGE DE LA GLISSIÈRE DE SÉCURITÉ (FIG. 4)

Vérifiez régulièrement les rails pour vous assurer de l'absence de jeu ou de dégagement. Il est possible de régler le rail de droite à l'aide de la vis de calage illustrée à la figure 4. Pour réduire le dégagement, utilisez une clé hexagonale de 4 mm et faites graduellement pivoter la vis de calage dans le sens horaire tout en faisant glisser la tête de vis en va et vient. Réduisez le jeu tout en maintenant une force de glissement minimale.

RÉGLAGE DU BLOCAGE D'ONGLET (FIG. 12)

La tige de blocage d'onglet doit être réglée si la table de scie peut bouger alors que la poignée de blocage d'onglet est verrouillée (vers le bas). Pour régler le blocage d'onglet, mettez la poignée de blocage d'onglet en position déverrouillée (vers le haut). À l'aide d'une clé ouverte de 13 mm (1/2 po), desserrez le contre-écrou sur la tige de blocage d'onglet (fig. 12). À l'aide d'un tournevis pour écrous à fente, serrez la tige de blocage d'onglet en tournant vers la droite, comme illustré en figure 12. Tournez la tige de verrouillage jusqu'à ce qu'elle soit bien serrée, puis tournez vers la gauche d'un tour. Pour vous assurer que le blocage d'onglet fonctionne correctement, reverrouillez le blocage d'onglet sur une mesure non crantée sur l'échelle d'onglet, par exemple : 34°, et assurez-vous que la table ne bougera pas. Resserrez le contre-écrou.



Soutien des pièces longues

⚠ AVERTISSEMENT : pour réduire le risque de blessures, éteindre l'appareil et le débrancher avant d'installer ou de retirer tout accessoire et avant d'effectuer des réglages ou des réparations. Un démarrage accidentel peut provoquer des blessures.

SOUTENEZ TOUJOURS LES PIÈCES LONGUES.

Ne jamais utiliser une personne pour remplacer une rallonge de table, comme soutien supplémentaire pour une pièce dont la longueur ou la largeur dépasse le banc de scie de base ou pour aider à alimenter, soutenir la pièce ou pour la tirer.

Pour des résultats optimaux, utilisez un support d'ouvrage télescopique DW7080 pour allonger la largeur de table de votre scie (vendu séparément chez votre détaillant). Soutenez les longues pièces à l'aide de tout moyen commode, par exemple un chevalet de sciage ou un appareil similaire, afin d'empêcher les extrémités de tomber.

Découpe de cadres, de coffrages et d'autres objets à quatre faces (fig. 13, 14)

Pour mieux comprendre comment façonner les éléments mentionnés ici, nous vous suggérons de commencer par des projets simples en utilisant des chutes de bois jusqu'à ce que vous soyez bien familiarisé avec votre outil.

Votre scie est l'outil parfait pour réaliser des coins à l'onglet comme celui illustré à la figure 13. Le diagramme A de la figure 14 illustre un assemblage réalisé à l'aide du réglage de biseau pour biseauter les arêtes des deux planches à 45° chacune afin de produire un coin à 90°. Pour réaliser cet assemblage, le bras d'onglet était bloqué à la position zéro et le réglage de biseau était bloqué à 45°. Le morceau de bois était positionné avec le large côté plat contre la table et l'arête étroite contre le guide. Il aurait également été possible de découper à l'onglet à droite et à gauche en maintenant la surface large contre le guide.

FIG. 13

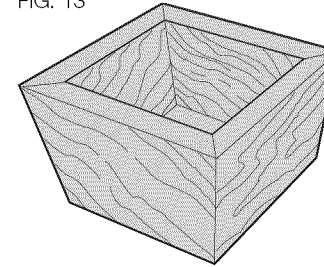
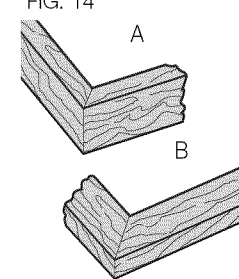


FIG. 14



Découpe de moulures de garnissage et d'autres cadres (fig. 14)

Le diagramme B de la figure 14 illustre un assemblage réalisé en réglant le bras d'onglet à 45° pour couper à l'onglet les deux planches afin de former un coin à 90°. Pour réaliser ce type d'assemblage, réglez le biseau sur zéro et le bras d'onglet sur 45°. Le morceau de bois était à nouveau positionné avec le large côté plat contre la table et l'arête étroite contre le guide.

Les deux diagrammes de la figure 14 correspondent à des objets à quatre côtés.

Lorsque le nombre de côtés change, les angles d'onglet et de biseau changent aussi. Le tableau ci-dessous indique les angles adéquats pour diverses formes.

- EXEMPLES -

NOMBRE DE CÔTÉS	ANGLE D'ONGLET OU DE BISEAU
4	45°
5	36°
6	30°
7	25,7°
8	22,5°
9	20°
10	18°

Le tableau suppose que tous les côtés sont de même longueur. Pour réaliser une forme qui n'apparaît pas dans le tableau, utilisez la formule suivante : 180° divisé par le nombre de côté donne l'angle d'onglet (si le matériau est coupé verticalement) ou de biseau (s'il est coupé à plat).

Découpe à onglet mixte (fig. 15)

Une coupe à onglet mixte est réalisée en utilisant simultanément un angle d'onglet et un angle de biseau. C'est le type de coupe utilisé pour fabriquer des cadres ou des boîtes dont les côtés sont inclinés, comme illustré dans la figure 15.

REMARQUE : si l'angle de coupe varie d'une coupe à l'autre, vérifiez que la molette de verrouillage de biseau et la poignée de blocage d'onglet sont bien verrouillées. Elles doivent être reverrouillées après tout changement d'onglet ou de biseau.

Le tableau en fin de manuel (Tableau 1) vous aidera à sélectionner les paramètres corrects de biseau ou d'onglet pour les coupes d'onglet mixtes courantes. Pour utiliser le tableau, sélectionnez l'angle A souhaité (fig. 15) pour votre projet et recherchez cet angle sur l'arc adéquat du tableau. Tracez un trait vertical à partir de ce point pour lire l'angle de biseau adéquat et un trait horizontal pour lire l'angle d'onglet adéquat.

Réglez votre scie sur les angles prescrits et effectuez quelques coupes d'essai. Entraînez-vous à assembler les pièces coupées jusqu'à maîtriser cette procédure.

Exemple : pour fabriquer une boîte à quatre côtés avec des angles extérieurs à 26° (Angle A, figure 15), utilisez l'arc supérieur droit. Trouvez la valeur 26° sur l'échelle de l'arc. Suivez la ligne horizontale intersectante jusqu'à l'un des deux axes pour obtenir le réglage de l'angle d'onglet pour votre scie (42°). Suivez de même la ligne verticale intersectante vers le bas ou vers le haut pour obtenir le réglage de l'angle de biseau pour la scie (18°). Essayez toujours les coupes sur des chutes de bois afin de vérifier les réglages de la scie.

Découpe de moulures de base (fig. 16)

EFFECTUEZ TOUJOURS UN ESSAI À BLANC SANS ALIMENTATION AVANT D'ENTAMER TOUTE COUPE.

Coupes droites à 90° :

Placez le bois contre le guide et maintenez-le en place comme illustré à la figure 16. Mettez la scie en marche, laissez la lame atteindre son plein régime et abaissez doucement le bras à travers la coupe.

DÉCOUPE DE MOULURE DE BASE DE 76 À 171 mm (3 à 6,75 po) DE HAUTEUR VERTICALEMENT CONTRE LE GUIDE

REMARQUE : utilisez le levier de verrouillage à glissière, illustré en figure 7, pour découper des moulures de base de 76 à 171 mm (3 à 6,75 po) de hauteur verticalement contre le guide. Placez le matériau comme illustré à la figure 16.

Toutes les coupes devraient être effectuées avec l'arrière de la moulure appuyé contre le guide et le bas de la moulure contre la table.

	COIN INTÉRIEUR	COIN EXTÉRIEUR
Côté gauche	Onglet gauche à 45° Conservez le côté gauche de la coupe	Onglet droit à 45° Conservez le côté gauche de la coupe
Côté droit	Onglet droit à 45° Conservez le côté droit de la coupe	Onglet gauche à 45° Conservez le côté droit de la coupe

Du matériel jusqu'à 171 mm (6,75 po) peut être coupé comme indiqué ci-dessus.

FIG. 15

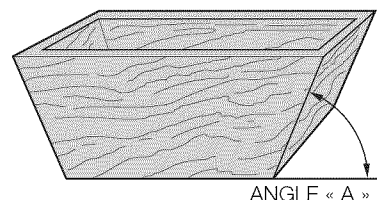
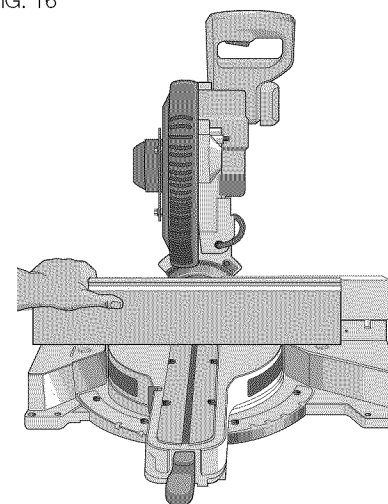


FIG. 16



Découpe de moulures couronnées

Votre scie à onglet est bien adaptée à la découpe des moulures couronnées. Afin de s'ajuster correctement, les moulures couronnées doivent être découpées à l'onglet avec une précision extrême.

Les deux surfaces plates d'un morceau de moulure couronnée donné sont à des angles dont la somme est exactement 90°. La majorité, mais non la totalité, des moulures couronnées ont un angle arrière supérieur (la section qui s'adapte à plat contre le plafond) de 52° et un angle arrière inférieur (la partie qui s'adapte à plat contre le mur) de 38°.

Votre scie à onglet comporte des points de loquet d'onglet prédéfinis à 31,62° à gauche et à droite pour découper des moulures couronnées à l'angle adéquat, et des cliquets de butée de biseau à 33,9° à gauche et à droite. Une marque est également présente sur l'échelle de biseau à 33,9°.

Le tableau suivante indique les paramètres appropriés pour la découpe de moulures couronnées. (Les paramètres d'onglet et de biseau sont très précis et ne sont pas facile à régler précisément sur votre scie). Comme les angles de la plupart de pièces ne sont pas exactement de 90°, il vous faudra dans tous les cas ajuster vos réglages.

IL EST EXTRÊMEMENT IMPORTANT D'EFFECTUER DES TESTS PRÉLIMINAIRES AVEC DES CHUTES DE BOIS!

INSTRUCTION POUR LA DÉCOUPE DE MOULURES COURONNÉES À PLAT ET EN UTILISANT LES ONGLETS MIXTES

1. Les moulures doivent reposer à plat, avec leur partie arrière large contre la table de scie (fig. 17).
2. Partie supérieure de la moulure contre le guide.
3. Les réglages ci-dessous s'appliquent aux moulures couronnées standard (É-U) avec des angles de 52° et 38°.

COIN INTÉRIEUR

Côté gauche Biseau gauche à 33,9°
Table d'onglet réglée à droite à 31,62°
Conservez le côté gauche de la coupe

Côté droit Biseau droit à 33,9°
Table d'onglet réglée à gauche à 31,62°
Conservez le côté droit de la coupe

COIN EXTÉRIEUR

Biseau droit à 33,9°
Table d'onglet réglée à gauche à 31,62°
Conservez le côté gauche de la coupe

Biseau gauche à 33,9°
Table d'onglet réglée à droite à 31,62°
Conservez le côté droit de la coupe

COIN INTÉRIEUR

Côté gauche Onglet droit à 45°
Conservez le côté droit de la coupe

Côté droit Onglet gauche à 45°
Conservez le côté gauche de la coupe

COIN EXTÉRIEUR

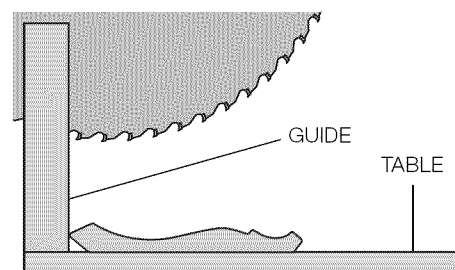
Onglet gauche à 45°
Conservez le côté droit de la coupe

Onglet droit à 45°
Conservez le côté gauche de la coupe

Lors du réglage d'onglet et de biseau pour tous les onglets mixtes, n'oubliez pas que :

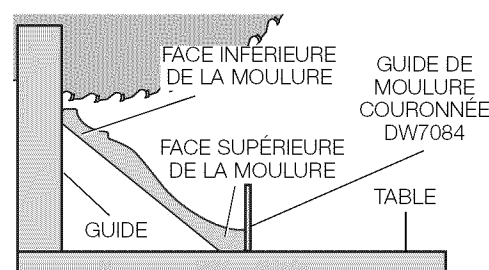
Les angles présentés pour les moulures couronnées sont très précis et difficiles à régler de manière exacte. Puisqu'ils peuvent facilement se décaler légèrement et que très peu de pièces présentent des angles exactement droits, tous les réglages doivent être testés auparavant sur des chutes de moulures.

FIG. 17



MOULURE COURONNÉE À PLAT SUR LA TABLE ET CONTRE LE GUIDE

FIG. 18



MOULURE COURONNÉE ENTRE GUIDE ET TABLE

IL EST EXTRÊMEMENT IMPORTANT D'EFFECTUER DES TESTS PRÉLIMINAIRES AVEC DES CHUTES DE BOIS!

MÉTHODE ALTERNATIVE DE DÉCOUPE DE MOULURES COURONNÉES

Placez la moulure sur la table en laissant un angle entre le guide et la table à scier, comme illustré à la figure 18. L'utilisation de l'accessoire de guide pour moulures couronnées (DW7084) est fortement recommandée en raison de son degré de précision et de commodité (fig. 1). Cet accessoire est disponible auprès de votre concessionnaire local.

Avec cette méthode de découpe de moulure couronnée, aucune coupe biseautée n'est requise. Des modifications minimes peuvent être apportées à l'angle d'onglet sans affecter l'angle de biseau. Ainsi, en cas de coins autres qu'à 90°, il est possible d'ajuster rapidement et facilement la scie en conséquence. Utilisez l'accessoire de guide pour moulures couronnées afin de conserver l'angle que formera la moulure avec le mur.

INSTRUCTIONS POUR DÉCOUPER DES MOULURES COURONNÉES OBLIQUES ENTRE LE GUIDE ET LA BASE DE LA SCIE POUR TOUTE COUPE

1. Orientez la moulure de façon à ce que le dessous (la partie qui sera contre le mur à l'installation) soit contre le guide et le dessus repose sur la table de scie, comme illustré en figure 18.
2. Les facettes angulaires à l'arrière de la moulure doivent reposer à angle droit contre le guide et la table de scie.

Découpes spéciales

N'EFFECTUEZ JAMAIS AUCUNE DÉCOUPE SI LE MATÉRIAU N'EST PAS MAINTENU EN PLACE SUR LA TABLE ET CONTRE LE GUIDE.

DÉCOUPE D'ALUMINIUM (FIG. 19, 20)

UTILISEZ TOUJOURS DES LAMES DE SCIE APPROPRIÉES SPÉCIALEMENT CONÇUES POUR LA DÉCOUPE D'ALUMINIUM. Elles sont disponibles auprès de votre revendeur DEWALT local ou d'un centre de service DEWALT. À cause de leur taille, de leur forme ou de l'aspect de leur surface, certaines pièces peuvent nécessiter l'utilisation de pinces ou de fixations pour éviter tout mouvement durant la découpe. Positionnez le matériel de telle sorte que vous couperez la section transversale la plus fine, tel qu'illustré à la figure 19. La figure 20 illustre la mauvaise manière de couper ces extrusions.

Utilisez un lubrifiant de coupe en cire en bâton lors de la découpe d'aluminium. Appliquez directement le lubrifiant de coupe en cire en bâton sur la lame de scie avant d'entamer l'opération de coupe. N'appliquez jamais de cire en bâton sur une lame en mouvement.

La cire est disponible auprès de la majorité des quincailleries et des magasins de fourniture en minoteries; elle apporte une lubrification adaptée et empêche les copeaux d'adhérer à la lame.

Veillez à bien fixer la pièce.

Consulter **Lames de scie** sous **Accessoires facultatifs** pour connaître les lames de scie appropriées.

MATÉRIAU ARQUÉ (FIG. 21, 22)

Lors de la découpe de matériau arqué, placez toujours ce dernier comme illustré à la figure 21 et jamais comme illustré à la figure 22. Si vous placez incorrectement le matériau, il pincera la lame un peu avant la fin de la coupe.

DÉCOUPE DE TUYAU EN PLASTIQUE OU D'AUTRE MATÉRIAU ROND

Il est facile de couper des tuyaux en plastique avec votre scie. Il faut les couper exactement de la même manière que du bois et les pincer ou **LES MAINTENIR FERMEMENT CONTRE LE GUIDE POUR LES EMPÊCHER DE ROULER**. Cela est extrêmement important lors de découpes en angle.

DÉCOUPE DE GRANDS MATÉRIAUX (FIG. 23)

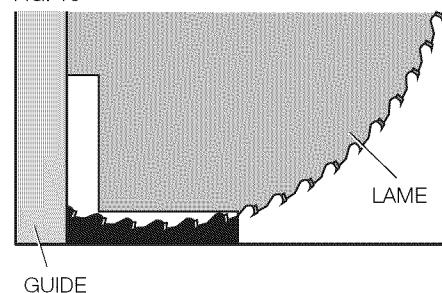
Occasionnellement, vous rencontrerez une pièce de bois un peu trop grande pour rentrer sous le pare-main inférieur. Si cela se produit, placez simplement votre pouce droit sur la partie supérieure du pare-main, puis remontez le pare-main juste assez pour libérer la pièce comme le montre la figure 23. Évitez de procéder ainsi autant que possible, mais s'il le faut, la scie fonctionnera bien et réalisera une plus grosse coupe. **NE JAMAIS ATTACHER, COLLER NI FIXER LE PARE-MAIN DE MANIÈRE À LE MAINTENIR OUVERT DURANT L'UTILISATION DE CETTE SCIE.**

CONFIGURATION SPÉCIALE POUR LES COUPES TRANSVERSALES LARGES (FIG. 24, 25)

Votre scie peut couper des pièces très larges (jusqu'à 409 mm [16,1 po]) en utilisant une configuration spéciale. Pour ce faire, suivez la procédure suivante :

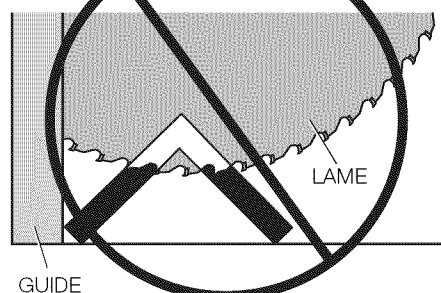
1. Retirez les deux guides coulissants, gauche et droit, de la scie et mettez-les de côté. Pour les enlever, dévissez les molettes d'ajustement du guide de plusieurs tours et faites glisser chaque guide vers l'extérieur. Ajustez et verrouillez la commande d'onglet sur l'onglet à 0°.

FIG. 19



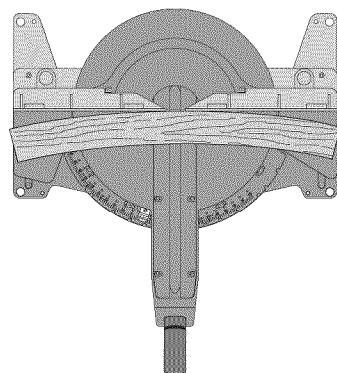
CORRECT

FIG. 20



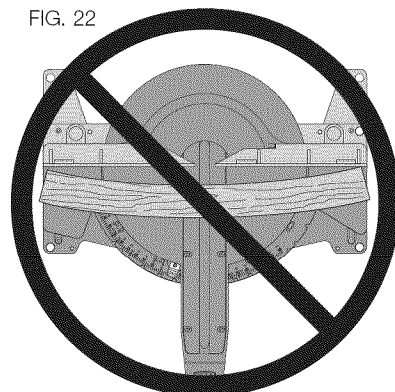
INCORRECT

FIG. 21



CORRECT

FIG. 22



INCORRECT

FIG. 23

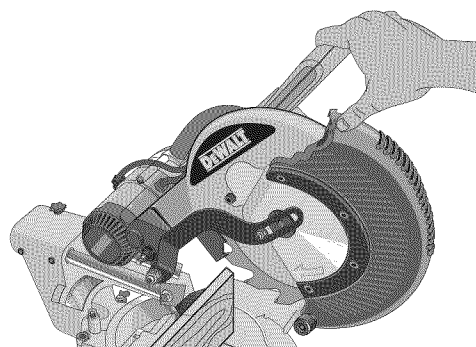
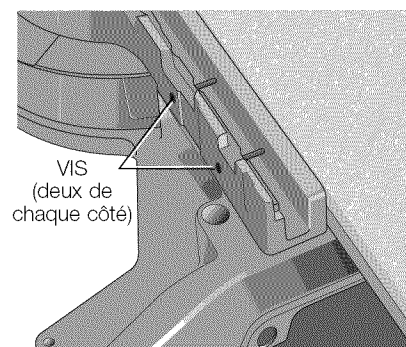


FIG. 24



VIS
(deux de
chaque côté)

2. Façonnez une plate-forme à l'aide d'une pièce de 38 mm (1,5 po) d'aggloméré épais ou d'un morceau de bois plat similaire de 38 mm d'épaisseur aux dimensions suivantes : 368 x 660 mm (14,5 x 26 po). La plate-forme doit être plane afin que le matériau ne puisse pas se déplacer durant la découpe et causer des blessures.
3. Montez la plate-forme de 368 x 660 mm (14,5 x 26 po) sur la scie en passant 4 vis à bois de 76,2 mm (3 po) de longueur au travers des trous du guide de la base (fig. 24). Il faut utiliser quatre vis pour fixer le matériau de manière adéquate. Lors de l'utilisation de cette configuration spéciale, la plate-forme sera coupée en deux morceaux. Assurez-vous que les vis sont bien serrées pour éviter que le matériau ne se desserre et puisse causer des blessures. Assurez-vous que la plate-forme est fermement à plat sur la table, contre le guide et centrée entre les bords gauche et droit.

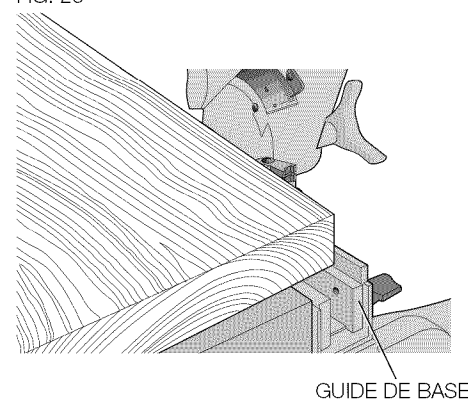
⚠AVERTISSEMENT : assurez-vous que la scie est fermement assemblée à une surface plane et stable. Si vous négligez de le faire, la scie pourrait devenir instable et tomber, en causant des blessures corporelles.

4. Placez la pièce à découper sur le dessus de la plate-forme fixée à la table. Assurez-vous que la pièce est fermement adossée contre l'arrière du guide de base (fig. 25).
5. Fixez le matériau avant de le couper. Coupez lentement à travers le matériau en utilisant un mouvement extérieur-bas-et-retour. Négliger de fixer la pièce de manière sûre ou de couper lentement pourrait desserrer le matériau et causer des blessures.

Après plusieurs coupes à différents angles d'onglet, autres que 0°, la plate-forme peut se fragiliser et ne plus soutenir correctement les pièces à travailler. Installez une nouvelle plate-forme jamais utilisée sur la scie après avoir pré-réglé l'angle d'onglet désiré.

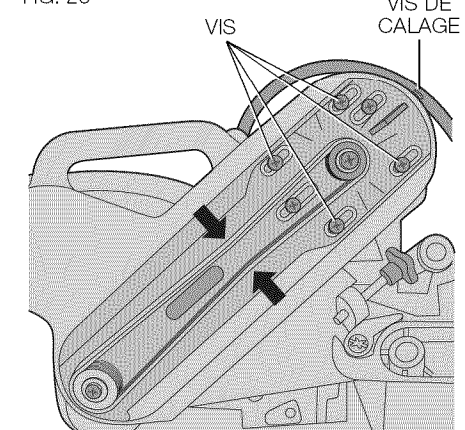
⚠ATTENTION : l'utilisation continue d'une plate-forme contenant plusieurs traits de scie peut entraîner une perte de maîtrise du matériel et des blessures possibles.

FIG. 25



GUIDE DE BASE

FIG. 26



VIS DE CALAGE

ENTRETIEN

⚠AVERTISSEMENT : pour réduire le risque de blessures, éteindre l'appareil et le débrancher avant d'installer ou de retirer tout accessoire et avant d'effectuer des réglages ou des réparations. Un démarrage accidentel peut provoquer des blessures.

⚠AVERTISSEMENT : pour réduire le risque de blessures corporelles graves, NE PAS toucher les pointes tranchantes de la lame avec les doigts ou les mains au moment d'effectuer l'entretien.

N'EMPLOYEZ pas les lubrifiants ou les décapants (en particulier jet ou aérosol) à proximité de la garde de plastique. La matière de polycarbonate employée dans la garde est sujette à l'attaque par certains produits chimiques.

- Tous les roulements sont scellés. Ils sont lubrifiés à vie et n'ont besoin d'aucun entretien supplémentaire.
- Retirez régulièrement toute la poussière et tous les copeaux de bois situés autour ET SOUS la base et la table rotative. Même si des emplacements sont prévus pour permettre l'évacuation de débris, de la poussière s'accumule.
- Les brosses sont conçues pour durer plusieurs années. Si elles ont besoin d'être remplacées, suivez les instructions sous **Brosses** ou retournez l'outil au centre de service le plus proche pour réparation.

Dépose et remplacement de la courroie (fig. 4, 26)

La courroie est conçue pour durer pendant toute la vie de l'outil. Une mauvaise utilisation de l'outil pourrait cependant entraîner une défaillance de courroie.

Si la lame ne tourne pas alors que le moteur fonctionne, la courroie est en panne. Pour inspecter ou remplacer la courroie, retirez les vis du couvercle de la courroie. Retirez le couvercle de la courroie. Inspectez les nervures de la courroie en recherchant des signes d'usure ou de panne. Vérifiez la tension de la courroie en la serrant comme illustré à la figure 26. Les moitiés de la courroie devraient presque se toucher si vous les serrez fermement entre le pouce et l'index. Pour ajuster la tension, desserrez, sans les retirer, les quatre vis en croix illustrées. Faites ensuite pivoter la vis de calage située au sommet du moulage de la plaque du moteur jusqu'à atteindre la tension adéquate. Révissez bien les quatre vis et remplacez le couvercle de la courroie.

AVIS : un serrage trop important de la courroie pourrait entraîner une panne de moteur prématurée.

Entretien de la conduite à poussière

Suivant l'environnement de coupe, la sciure pourrait boucher la conduite à poussière empêchant ainsi l'élimination correcte de la zone de coupe de la poussière. Alors que la scie est débranchée du secteur et sa tête complètement relevée, utilisez de l'air comprimé, faible intensité, ou une tige de large diamètre pour déboucher la conduite à poussière.

Brosses

AVERTISSEMENT : pour réduire tout risque de dommages corporels, éteindre l'outil et le débrancher avant de le déplacer, de changer les accessoires ou de réaliser des réglages.

Inspectez régulièrement les brosses en carbone : débranchez l'outil, enlevez le capuchon du moteur (fig. 4) soulevez le ressort de la brosse et retirez l'assemblage de la brosse. Assurez-vous que les brosses sont propres et qu'elles glissent librement dans leurs guides. Remplacez toujours dans son support une brosse utilisée dans le sens où elle se trouvait avant d'être retirée. Si les brosses sont usées jusqu'à approximativement 12,7 mm (1/2 po), les ressorts n'appliqueront plus assez de pression, et il faudra remplacer les brosses. N'utilisez que des brosses DEWALT identiques. Il est essentiel pour un fonctionnement correct du frein électrique d'utiliser le grade adéquat de brosse. De nouveaux assemblages de brosse sont disponibles auprès des centres de service DEWALT. Laissez l'outil « tourner à blanc » (tourner sans charge) pendant 10 minutes pour qu'une brosse neuve se positionne correctement. Le frein électrique peut ne pas fonctionner correctement tant que les brosses ne sont pas correctement positionnées (usées). Remplacez toujours le capuchon d'inspection de brosse après avoir inspecté ou réparé une brosse.

Lors d'un « fonctionnement à blanc », N'ATTACHEZ PAS, NE FIXEZ PAS AU MOYEN DE RUBAN ADHÉSIF ET NE VERROUILLEZ PAS D'UNE AUTRE MANIÈRE LA DÉTENTE EN POSITION MARCHÉ. NE LA TENEZ QU'À LA MAIN.

Nettoyage

AVERTISSEMENT : enlever les saletés et la poussière hors des événements au moyen d'air comprimé propre et sec, au moins une fois par semaine. Pour minimiser le risque de blessure aux yeux, toujours porter une protection oculaire conforme à la norme ANSI Z87.1 lors du nettoyage.

AVERTISSEMENT : ne jamais utiliser de solvants ni d'autres produits chimiques puissants pour nettoyer les pièces non métalliques de l'outil. Ces produits chimiques peuvent affaiblir les matériaux de plastique utilisés dans ces pièces. Utiliser un chiffon humecté uniquement d'eau et de savon doux. Ne jamais laisser de liquide pénétrer dans l'outil et n'immerger aucune partie de l'outil dans un liquide.

Accessoires

AVERTISSEMENT : puisque les accessoires autres que ceux offerts par DEWALT n'ont pas été testés avec ce produit, leur utilisation pourrait s'avérer dangereuse. Pour réduire le risque de blessures, utiliser exclusivement les accessoires DEWALT recommandés avec le présent produit.

Les accessoires recommandés pour cet outil sont vendus séparément au centre de service de votre région. Pour obtenir de l'aide concernant l'achat d'un accessoire, communiquer avec DEWALT Industrial Tool Co., 701 East Joppa Road, Baltimore, MD 21286 aux États-Unis; composer le 1 800 433-9258 (1 800 4-DEWALT) ou visiter notre site Web : www.dewalt.com.

Réparations

Pour assurer la SÉCURITÉ et la FIABILITÉ du produit, les réparations, l'entretien et les réglages doivent être réalisés (cela comprend l'inspection et le remplacement du balai) par un centre de réparation en usine DEWALT, un centre de réparation agréé DEWALT ou par d'autres techniciens qualifiés. Toujours utiliser des pièces de rechange identiques.

Registre en ligne

Merci pour votre achat. Enregistrez dès maintenant votre produit :

- **RÉPARATIONS SOUS GARANTIE :** cette carte remplie vous permettra de vous prévaloir du service de réparations sous garantie de façon plus efficace dans le cas d'un problème avec le produit.
- **CONFIRMATION DE PROPRIÉTÉ :** en cas de perte provoquée par un incendie, une inondation ou un vol, cette preuve de propriété vous servira de preuve auprès de votre compagnie d'assurances.
- **SÉCURITÉ :** l'enregistrement de votre produit nous permettra de communiquer avec vous dans l'éventualité peu probable de l'envoi d'un avis de sécurité régi par la loi fédérale américaine de la protection des consommateurs.

Registre en ligne à www.dewalt.com/register.

Garantie limitée de trois ans

DEWALT réparera, sans frais, tout produit défectueux causé par un défaut de matériel ou de fabrication pour une période de trois ans à compter de la date d'achat. La présente garantie ne couvre pas les pièces dont la défectuosité a été causée par une usure normale ou l'usage abusif de l'outil. Pour obtenir de plus amples renseignements sur les pièces ou les réparations couvertes par la présente garantie, visiter le site www.dewalt.com ou composer le 1 800 433-9258 (1 800 4-DEWALT). Cette garantie ne s'applique pas aux accessoires et ne vise pas les dommages causés par des réparations effectuées par un tiers. Cette garantie confère des droits légaux particuliers à l'acheteur, mais celui-ci pourrait aussi bénéficier d'autres droits variant d'un état ou d'une province à l'autre.

En plus de la présente garantie, les outils DEWALT sont couverts par notre :

CONTRAT D'ENTRETIEN GRATUIT D'UN AN

DEWALT entretiendra l'outil et remplacera les pièces usées au cours d'une utilisation normale et ce, gratuitement, pendant une période d'un an à compter de la date d'achat.

GARANTIE DE REMBOURSEMENT DE 90 JOURS

Si l'acheteur n'est pas entièrement satisfait, pour quelque raison que ce soit, du rendement de l'outil électrique, du laser ou de la cloueuse DEWALT, celui-ci peut le retourner, accompagné d'un reçu, dans les 90 jours à compter de la date d'achat pour obtenir un remboursement intégral, sans aucun problème.

AMÉRIQUE LATINE : cette garantie ne s'applique aux produits vendus en Amérique latine. Pour ceux-ci, veuillez consulter les informations relatives à la garantie spécifique présente dans l'emballage, appeler l'entreprise locale ou consulter le site Web pour les informations relatives à cette garantie.

REEMPLACEMENT GRATUIT DES ÉTIQUETTES D'AVERTISSEMENT : si les étiquettes d'avertissement deviennent illisibles ou sont manquantes, composer le 1 800 433-9258 (1 800 4-DeWALT) pour en obtenir le remplacement gratuit.

<p>WARNING FOR YOUR OWN SAFETY READ INSTRUCTION MANUAL BEFORE OPERATING MITER SAW. KEEP HANDS OUT OF PATH OF SAW BLADE. DO NOT OPERATE SAW WITHOUT GUARDS IN PLACE. CHECK LOWER GUARD FOR PROPER CLOSING BEFORE EACH USE. ALWAYS TIGHTEN ADJUSTMENT KNOBS BEFORE USE. DO NOT PERFORM ANY OPERATION FRESHMAN. NEVER REACH IN BACK OF SAW BLADE. NEVER CROSS ARMS IN FRONT OF BLADE. TURN OFF TOOL AND WAIT FOR SAW BLADE TO STOP BEFORE MOVING WORKPIECE. CHANGING SETTINGS OR MOVING HANDS. DISCONNECT POWER BEFORE CHANGING BLADE OR SERVICING. TO REDUCE THE RISK OF INJURY, RETURN CHARGING TO THE FULL REAR POSITION AFTER EACH CROSSCUT OPERATION. THANK! YOU CAN PREVENT ACCIDENTS.</p>	<p>ADVERTENCIA PARA SU PROPIA PROTECCIÓN, POR FAVOR LEA DETENIDAMENTE EL MANUAL DE INSTRUCCIONES ANTES DE PONER EN MARCHA LA SIERRA DE HIGIETE. MANTENGA LAS MANOS FUERA DEL PASO DE LA HOJA, NO HAGA FUNCIONAR LA SIERRA SIN ANTES HABER INSTALADO LAS GUARDIAS. ASEGURESE QUE LA GUARDIA INFERIOR SE ENCUENTRE EN LA POSICIÓN DE CIERRE ANTES DE CADA APLICACIÓN. SIEMPRE APRIETE LAS PERILLAS DE AJUSTE ANTES DE ACCIONAR LA HERRAMIENTA. JAMÁS REALICE OPERACIONES DE MANOS LIBRES. JAMÁS ALCANCE POR DETRAS DE LA HOJA. JAMÁS CRUCE LOS BRAZOS EN FRENTE DE LA HOJA. APAGUE LA HERRAMIENTA Y ESPERE QUE LA HOJA SE DETENGA POR COMPLETO ANTES DE RETORNAR LA PIEZA DE TRABAJO. ANTES DE AJUSTAR LA SIERRA O ANTES DE MOVER LAS MANOS, DESCONECTE LA HERRAMIENTA ANTES DE PRESTAR MANTENIMIENTO O ANTES DE CAMBIAR LA HOJA. A FIN DE REDUCIR EL RIESGO DE LESIONES PERSONALES, REGRESE EL CARRO COMPLETAMENTE PARA ATRÁS DESPUÉS DE CADA CORTE TRANSVERSAL. ¡USE EL SENTIDO COMÚN! ¡USTED PUEDE EVITAR LOS ACCIDENTES.</p>	<p>AVERTISSEMENT PAR MESURE DE SÉCURITÉ, LIRE LE GUIDE D'UTILISATION AVANT DE SE SERVIR DE LA SCIE À ONGULETS. ÉLOIGNER LES MAINS DE LA TRAJECTOIRE DE LA LAME. NE PAS UTILISER LA SCIE SANS LES PROTECTEURS EN PLACE. VÉRIFIER LA FERMETURE APPROPRIÉE DU PROTECTEUR INFÉRIEUR AVANT CHAQUE UTILISATION. TOUJOURS SERRER LES BOUTONS DE RÉGLAGE AVANT CHAQUE UTILISATION, NE PAS EFFECTUER DE TRAVAUX À MAINS LIBRES. NE JAMAIS S'ÉTIRER VERS L'ARRIÈRE DE LA LAME DE LA SCIE. NE JAMAIS SE CRUISEZ LES BRAS À L'AVANT DE LA LAME. METTRE L'OUTIL HORS TENSION ET ATTENDRE L'IMMOBILISATION COMPLÈTE DE LA LAME AVANT DE DÉPLACER LA PIÈCE À OUVRIER. NE MODIFIER LES RÉGLAGES DE LA SCIE QUI DE DÉPLACER SES MAINS. DÉBRANCHER L'OUTIL AVANT DE REMPLACER LA LAME OU DE FAIRE L'ENTRETIEN DE LA SCIE. AFIN DE MINIMISER LES RISQUES DE BLESSURES, RETOURNER LE CHARIOT À SA POSITION ARRIÈRE COMPLÈTE APRES CHAQUE COUPE TRANSVERSALE. IL SUFFIT DE PENSER! ON PEUT PRÉVENIR LES ACCIDENTS.</p>
--	---	--

PROPERLY SECURE BRACKET WITH BOTH SCREWS BEFORE USE. ASEGURE LA MENSULA DEBIDAMENTE CON AMBOS TORNILLOS ANTES DE PONER EN MARCHA LA HERRAMIENTA. BIEN FIXER LE SUPPORT À L'AIDE DES DEUX VIS AVANT L'UTILISATION.

DWS782 12" (305mm) DOUBLE BEVEL SLIDING COMPACT MITER SAW SER.



WARNING/ADVERTENCIA/AVERTISSEMENT
 FOR YOUR OWN SAFETY, READ INSTRUCTION MANUAL BEFORE OPERATING MITER SAW. WHEN SERVICING, USE ONLY IDENTICAL REPLACEMENT PARTS. DO NOT EXPOSE TO RAIN OR USE IN WET LOCATIONS. ALWAYS USE PROPER EYE AND RESPIRATORY PROTECTION.
 PARA SU PROPIA SEGURIDAD, LEA DETENIDAMENTE EL MANUAL DE INSTRUCCIONES ANTES DE PONER EN MARCHA LA SIERRA DE HIGIETE. A LA HORA DE PRESTAR MANTENIMIENTOS, SE DEBERÁ UTILIZAR SÓLAMENTE PIEZAS IDENTICAS DE REEMPLAZO, NO EXPONGA LA HERRAMIENTA A LA LLOVIA NI LA HAGA FUNCIONAR EN LOS LUGARES HÚMEDOS. SIEMPRE SE DEBERÁ LLEVAR LA PROTECCIÓN APROPIADA PARA LA VISTA Y PARA LAS VÍAS RESPIRATORIAS.
 PAR MESURE DE SÉCURITÉ, LIRE LE GUIDE D'UTILISATION AVANT DE SE SERVIR DE LA SCIE À ONGULETS. LORS DES TRAVAUX D'ENTRETIEN, N'UTILISER QUE DES PIÈCES DE RECHANGE IDENTIQUES. NE PAS EXPOSER L'OUTIL À LA PLUIE NI SE SERVIR DANS DES ENDROITS HUMIDES. TOUJOURS PORTER DE L'ÉQUIPEMENT DE PROTECTION OCULAIRE ET RESPIRATOIRE APPROPRIÉ.

ALWAYS ADJUST FRANGE PROPERLY BEFORE USE. CLEAN UP SMALL PICES BEFORE CUTTING. SEE MANUAL. AJUSTE LA GUÍA DEBIDAMENTE ANTES DE UTILIZAR LA HERRAMIENTA. ASEGURE LAS PIEZAS DE REEMPLAZO ANTES DE CORTARLAS. CONSULTE EL MANUAL. TOUJOURS RÉGLER LE GUIDE AVANT UTILISATION. VEJER LES PETITS ORJETZ AVANT DE LES SCIER, CONSULTEZ LE GUIDE D'UTILISATION.

DEWALT INDUSTRIAL TOOL CO., BALTIMORE MD, 21286 USA FOR SERVICE INFORMATION, CALL 1-800-4-DEWALT www.DEWALT.com

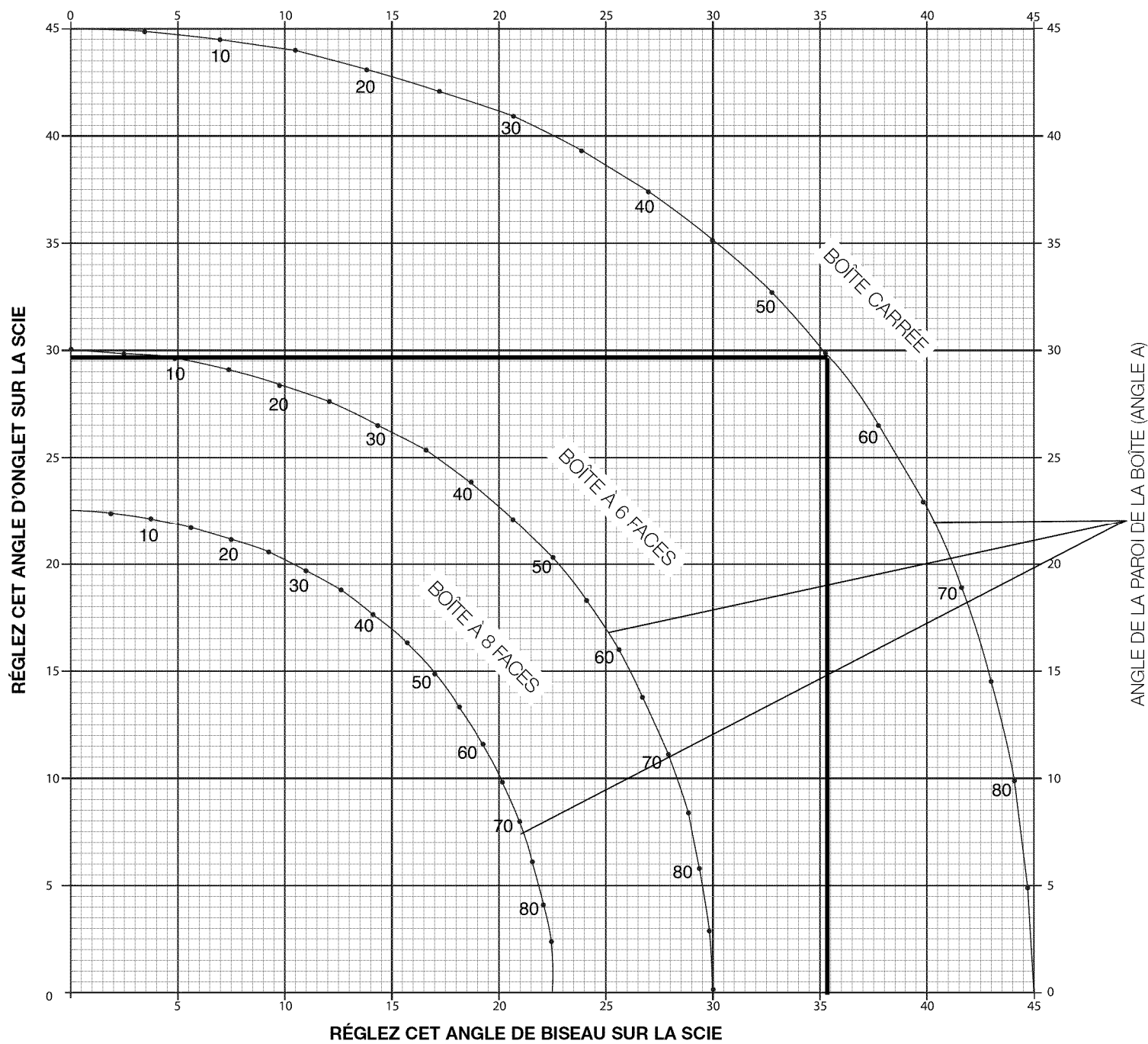
Guide de dépannage

VEILLEZ À SUIVRE LES RÈGLES ET CONSIGNES DE SÉCURITÉ

PROBLÈME !	QUEL EST LE PROBLÈME ?	QUE FAIRE...
La scie ne démarre pas	1. Scie non branchée	1. Branchez la scie.
	2. Fusible grillé ou disjoncteur déclenché	2. Remplacez le fusible ou réinitialisez le disjoncteur.
	3. Cordon endommagé	3. Faites remplacer le cordon par un centre de service agréé.
	4. Brosses usées	4. Faites remplacer les brosses par un centre de service agréé ou remplacez-les vous-même. Consulter Brosses .
Les découpes effectuées par la scie ne sont pas satisfaisantes	1. Lame émoussée	1. Remplacez la lame. Consulter Changement ou pose d'une nouvelle lame de scie .
	2. Lame montée à l'envers	2. Renversez la lame. Consulter Changement ou pose d'une nouvelle lame de scie .
	3. Gomme ou résine sur la lame	3. Retirez la lame et nettoyez avec de la laine d'acier grossière et de la térébenthine ou un nettoyant ménager pour four.
	4. Lame inadéquate pour le travail effectué	4. Changez de type de lame. Consulter Description Des Lames sous Accessoires facultatifs .
La lame n'atteint pas son plein régime	1. La rallonge est trop légère ou trop longue	1. Remplacez-la par une rallonge de taille adéquate. Consulter Calibre minimum pour rallonge sous Consignes de sécurité importantes .
	2. Courant domestique trop bas	2. Contactez votre fournisseur d'électricité.
La scie vibre démesurément	1. La scie n'est pas correctement fixée sur le tréteau ou l'établi	1. Vissez bien tout le matériel d'assemblage. Consulter Montage sur établi .
	2. Le tréteau ou l'établi est sur un sol irrégulier	2. Repositionnez-le sur une surface plane. Consulter Familiarisation .
	3. Lame de scie endommagée	3. Remplacez la lame. Consulter Changement ou pose d'une nouvelle lame de scie .
La scie ne coupe pas bien les onglets	1. L'échelle d'onglet n'est pas correctement réglée	1. Vérifiez et ajustez. Consulter Réglage de l'échelle d'onglet sous Réglages .
	2. La lame n'est pas d'équerre par rapport au guide	2. Vérifiez et ajustez. Consulter Réglage de l'échelle d'onglet sous Réglages .
	3. La lame n'est pas perpendiculaire à la table	2. Vérifiez et ajustez le guide. Consulter Ajustement d'une fausse équerre à la table sous Réglages .
	4. La pièce à découper se déplace	4. Fixez-la au guide ou collez du papier abrasif de calibre 120 sur le guide à l'aide de colle de caoutchouc
Le matériau pince la lame	1. Découpe de matériau arqué	1. Consulter Matériau arqué sous Découpes spéciales .

TABLEAU 1 COUPE À ONGLET MIXTE

(POSITIONNEZ LE MORCEAU DE BOIS AVEC LE LARGE CÔTÉ PLAT CONTRE LA TABLE ET L'ARÊTE ÉTROITE CONTRE LE GUIDE.)



Definiciones: Normas de seguridad

Las siguientes definiciones describen el nivel de gravedad de cada palabra de señal. Lea el manual y preste atención a estos símbolos.

⚠ PELIGRO: indica una situación de peligro inminente que, si no se evita, provocará la muerte o lesiones graves.

⚠ ADVERTENCIA: indica una situación de peligro potencial que, si no se evita, podría provocar la muerte o lesiones graves.

⚠ ATENCIÓN: indica una situación de peligro potencial que, si no se evita, posiblemente provocaría lesiones leves o moderadas.

AVISO: se refiere a una práctica **no relacionada a lesiones corporales** que de no evitarse puede resultar en **daños a la propiedad**.

SI TIENE ALGUNA DUDA O ALGÚN COMENTARIO SOBRE ÉSTA U OTRA HERRAMIENTA DEWALT, LLÁMENOS AL NÚMERO GRATUITO: 1-800-4-DEWALT (1-800-433-9258).



ADVERTENCIA: Para reducir el riesgo de lesiones, lea el manual de instrucciones.

Advertencias generales de seguridad para herramientas eléctricas



¡ADVERTENCIA! Lea todas las advertencias de seguridad e instrucciones. El incumplimiento de las advertencias e instrucciones puede provocar descargas eléctricas, incendios o lesiones graves.

CONSERVE TODAS LAS ADVERTENCIAS E INSTRUCCIONES PARA FUTURAS CONSULTAS

Doble aislamiento

Las herramientas con aislamiento doble se construyen en todas partes con dos capas separadas de aislamiento eléctrico, o una sola capa de aislamiento reforzado, entre el operador y el sistema eléctrico de la herramienta. Las herramientas fabricadas con este sistema de aislamiento no requieren conexión a tierra. En consecuencia, esta herramienta está equipada con un enchufe de dos conectores que le permite utilizar cables prolongadores sin tener que preocuparse por mantener la conexión a tierra.

NOTA: El aislamiento doble no implica que no se deban tomar las medidas de seguridad normales al operar esta herramienta. El sistema de aislamiento secundario supone una protección contra lesiones ocasionadas por una posible falla del aislamiento eléctrico primario dentro de la herramienta.

⚠ ATENCIÓN: AL REPARAR, SÓLO UTILICE PIEZAS DE REPUESTO IDÉNTICAS A LAS ORIGINALES. Repare o reemplace los cables dañados.

Enchufes polarizados

Los enchufes polarizados (una pata es más ancha que la otra) se utilizan en los equipos para reducir el riesgo de descarga eléctrica. Este enchufe se ajusta al tomacorriente polarizado de una sola manera. Si el enchufe no se ajusta totalmente al tomacorriente, invierta el enchufe. Si aun así no se ajusta bien, recurra a un electricista calificado para que instale un tomacorriente adecuado. No cambie el enchufe de ninguna manera.

Motor

Motor de 120 voltios

Potencia de entrada: 1 600W

3 800 rpm

Correa en V múltiple

Freno eléctrico automático

Motor de 15 amperios

Engranajes fresados helicoidales

Rodamientos de bolas

Hoja de carburo

Instrucciones de seguridad para todas las herramientas

⚠ ADVERTENCIA: Para reducir el riesgo de lesiones oculares, SIEMPRE utilice protección ocular al operar la sierra ingletadora.

- **MANTenga EL PROTECTOR INSTALADO ADECUADAMENTE** y en funcionamiento.
- **RETIRE LAS LLAVES DE AJUSTE Y LLAVES DE TUERCAS.** Acostúmbrase a verificar que se hayan retirado del eje las llaves de ajuste y las llaves de tuercas antes de encender la herramienta. Las herramientas, las piezas de descarte y otro tipo de desechos pueden salir despedidos a alta velocidad y provocar lesiones.
- **MANTenga LIMPIA EL ÁREA DE TRABAJO.** Los espacios y los bancos de trabajo abarrotados propician accidentes.
- **NO UTILICE LA MÁQUINA EN LUGARES PELIGROSOS.** El uso de herramientas eléctricas en lugares húmedos o mojados o bajo la lluvia puede provocar descargas eléctricas o electrocución. Mantenga su área de trabajo bien iluminada para evitar tropezones o poner en peligro brazos, manos y dedos.
- **MANTenga A LOS NIÑOS ALEJADOS.** Los visitantes deben mantenerse a una distancia segura del área de trabajo. Su taller es un lugar potencialmente peligroso.
- **PROCURE QUE SU TALLER SEA A PRUEBA DE NIÑOS;** coloque candados e interruptores maestros, o retire las llaves que accionan las herramientas. Si un niño o un visitante enciende una máquina sin autorización, podría producirle lesiones.
- **NO FUERCE LA HERRAMIENTA.** Funcionará mejor y será más segura si la utiliza a la velocidad para la que fue diseñada.
- **UTILICE LA HERRAMIENTA ADECUADA.** No fuerce la herramienta o los accesorios para realizar tareas para las que no fueron diseñados. Usar la herramienta o el accesorio incorrecto puede causar lesiones personales.
- **USE ROPA ADECUADA.** No lleve ropas sueltas, guantes, corbatas, anillos, brazaletes ni otras joyas que puedan engancharse en las piezas móviles. Se recomienda el uso de calzado antideslizante. Use una cofia para que el pelo largo quede contenido.
- **SIEMPRE USE LENTES DE SEGURIDAD.** Los anteojos de uso diario NO son lentes de seguridad. Utilice también máscaras faciales o para polvo si los cortes producen polvillo. **UTILICE SIEMPRE EQUIPOS DE SEGURIDAD CERTIFICADOS:**
 - Protección para los ojos según la norma ANSI Z87.1 (CAN/CSA Z94.3).
 - Protección auditiva según la norma ANSI S12.6 (S3.19).
 - Protección respiratoria según las normas NIOSH/OSHA/MSHA.
- **ASEGURE LA PIEZA DE TRABAJO.** Utilice abrazaderas o un tornillo de banco para sujetar la pieza de trabajo a la mesa y contra la guía, o si su mano corre peligro al estar cerca de la hoja (a menos de 152 mm [6"]). Es más seguro que utilizar su mano y puede entonces utilizar ambas manos para operar la herramienta.
- **NO SE ESTIRE.** Conserve el equilibrio y párese adecuadamente en todo momento. La pérdida del equilibrio podría provocar una lesión personal.
- **CONSERVE LAS HERRAMIENTAS ADECUADAMENTE.** Mantenga las herramientas afiladas y limpias para obtener el mejor y más seguro rendimiento. Siga las instrucciones para lubricar y cambiar los accesorios. Las herramientas y las máquinas que carecen de un mantenimiento adecuado pueden dañar aún más la herramienta o máquina o causar lesiones.
- **APAGUE LA MÁQUINA Y DESCONÉCTELA DE LA FUENTE DE ALIMENTACIÓN** antes de instalar o quitar los accesorios, antes de ajustar o cambiar las configuraciones, cuando haga reparaciones o cambie la máquina de lugar. Un arranque accidental podría causar lesiones. No toque las patas de metal del enchufe al enchufar o desenchufar el cable.
- **REDUZCA EL RIESGO DE ENCENDIDO ACCIDENTAL.** Asegúrese de que el interruptor esté en la posición "OFF" (de apagado) antes de enchufar el cable de alimentación.

- **UTILICE EL CABLE PROLONGADOR APROPIADO.** Asegúrese de que el cable prolongador esté en buenas condiciones. Cuando utilice un cable prolongador, cerciórese de que tenga la capacidad para conducir la corriente que su producto exige. Un cable de menor capacidad provocará una disminución en el voltaje de la línea, lo cual producirá una pérdida de potencia y sobrecalentamiento. La siguiente tabla muestra la medida correcta que debe utilizar según la longitud del cable y la capacidad nominal en amperios indicada en la placa. En caso de duda, utilice el calibre inmediatamente superior. Cuanto menor es el número de calibre, más grueso es el cable.

Calibre mínimo para juegos de cables						
Capacidad nominal en amperios		Voltios	Largo total del cable en metros (en pies)			
		120 V	7,6 (25)	15,2 (50)	30,5 (100)	45,7 (150)
		240 V	15,2 (50)	30,5 (100)	61,0 (200)	91,4 (300)
Desde	Hasta	AWG				
0	6		18	16	16	14
6	10		18	16	14	12
10	12		16	16	14	12
12	16		14	12	No recomendado	

- **VERIFIQUE QUE NO HAYA PIEZAS DAÑADAS.** Antes de volver a utilizar la herramienta, se deben controlar cuidadosamente las guardas o cualquier otra pieza dañada para asegurar el funcionamiento y el rendimiento apropiados de la herramienta en la aplicación deseada. Verifique la unidad para comprobar la alineación de las piezas móviles, si hay piezas dañadas, bloqueos o cualquier otra situación que pueda afectar el funcionamiento de la herramienta. Las guardas u otras piezas dañadas deben ser correctamente reparados o reemplazados. No utilice la herramienta si no puede encenderla o apagarla con el interruptor.
- **UTILICE ACCESORIOS RECOMENDADOS.** Utilice sólo accesorios recomendados por el fabricante para el modelo que posee. Los accesorios que pueden ser aptos para una herramienta, pueden convertirse en un factor de riesgo cuando se utilizan en otra herramienta. Consulte el manual de instrucciones para obtener información acerca de los accesorios recomendados. La utilización de accesorios inadecuados puede ocasionar lesiones personales.
- **NUNCA SE PARE SOBRE LA HERRAMIENTA.** Si la herramienta se cae o alguien toca accidentalmente el elemento cortante, podrían producirse lesiones graves.
- **NUNCA DEJE LA HERRAMIENTA EN FUNCIONAMIENTO Y SIN ATENCIÓN. DESCONECTE LA ENERGÍA.** No suelte la herramienta hasta que no se haya detenido por completo. Puede causar lesiones graves.
- **NO OPERE HERRAMIENTAS ELÉCTRICAS CERCA DE LÍQUIDOS INFLAMABLES O EN ATMÓSFERAS GASEOSAS O EXPLOSIVAS.** Los motores de estas herramientas originan chispas que pueden encender los vapores.
- **MANTÉNGASE ALERTA, PONGA ATENCIÓN EN LO QUE ESTÁ HACIENDO Y USE EL SENTIDO COMÚN. NO UTILICE LA MÁQUINA SI ESTÁ CANSADO O BAJO EL EFECTO DE DROGAS O ALCOHOL.** Un momento de descuido al operar una herramienta eléctrica puede provocar lesiones.

Normas de seguridad adicionales para las sierras ingletadoras

ADVERTENCIA: No ignore las reglas de seguridad por estar familiarizado con la herramienta (debido al uso frecuente de su sierra). Recuerde siempre que un descuido de una fracción de segundo es suficiente para causar lesiones graves.

- **NO OPERE ESTA MÁQUINA** hasta que no esté armada e instalada completamente, según las instrucciones. Una máquina montada de manera incorrecta puede provocar lesiones graves.

- **SOLICITE EL ASESORAMIENTO** de su supervisor, su instructor o alguna persona calificada si no está familiarizado con el funcionamiento de esta máquina. El conocimiento garantiza la seguridad.
- **ESTABILIDAD.** Cerciórese de que la sierra para cortar ingletes esté sujeta a una superficie de apoyo y que no se deslice o mueva durante el uso.
- **RESPETE TODOS LOS CÓDIGOS DE CABLEADO** y las conexiones eléctricas recomendadas para prevenir los riesgos de descargas eléctricas o electrocución. Proteja la línea de suministro eléctrico con al menos un disyuntor de 15 amperios o un fusible de acción retardada de 15 amperios.
- **ASEGÚRESE DE QUE LA** hoja gire en la dirección correcta. Los dientes de la hoja deben apuntar en la dirección de giro como lo indica la sierra.
- **AJUSTE TODOS LOS MANGOS DE FIJACIÓN,** perillas y palancas antes de operar la herramienta. Si hay abrazaderas flojas, las piezas o la pieza de trabajo pueden salir disparadas a alta velocidad.
- **ASEGÚRESE DE QUE** todas las hojas y abrazaderas de las hojas estén limpias, que los lados embutidos de las abrazaderas de las hojas estén contra la hoja y que el tornillo del mandril esté bien ajustado. Si la hoja está floja o no está bien ajustada, puede dañar la sierra y provocar lesiones personales.
- **SIEMPRE UTILICE UNA HOJA AFILADA.** Verifique que la hoja se mueva correctamente y sin vibrar. Una hoja sin filo o con vibración puede dañar la máquina o provocar lesiones graves.
- **NO OPERE CON NINGÚN VOLTAJE DIFERENTE DE AQUEL PARA EL QUE FUE DISEÑADA** la sierra. Se pueden producir sobrecalentamiento, daños a la herramienta y lesiones personales.
- **NO TRABE EL VENTILADOR CON OBJETOS** para detener el eje del motor. La herramienta puede resultar dañada y se pueden producir posibles lesiones personales.
- **NO FUERCE LA ACCIÓN DE CORTE.** La parada total o parcial del motor puede provocar daños a la máquina o la hoja, además de lesiones graves.
- **HAGA FUNCIONAR EL MOTOR A TODA VELOCIDAD** antes de comenzar a cortar. Si comienza a cortar demasiado pronto, puede dañar la máquina o la hoja, además de provocar lesiones graves.
- **NUNCA CORTE METALES FERROSOS** (que contengan hierro o acero) o mampostería. Estos materiales pueden hacer saltar las puntas de carburo de la hoja a gran velocidad y causar lesiones graves.
- **NO UTILICE DISCOS ABRASIVOS.** El calor en exceso y las partículas abrasivas que estos discos generan pueden dañar la sierra y producir lesiones personales.
- **NUNCA SE UBIQUE DE MODO QUE ALGUNA PARTE DEL CUERPO QUEDE EN LA MISMA LÍNEA QUE EL TRAYECTO DE LA HOJA DE LA SIERRA.** Se producirán lesiones graves.
- **NUNCA APLIQUE LUBRICANTE A UNA HOJA EN FUNCIONAMIENTO.** Al aplicar el lubricante, la mano podría entrar en contacto con la hoja y se pueden producir lesiones graves.
- **NO** coloque las manos en el área de la hoja mientras la sierra esté conectada a la fuente de alimentación. El accionamiento involuntario de la hoja puede provocar lesiones graves.
- **NO REALICE OPERACIONES A MANO ALZADA** (es decir, sin que la pieza de trabajo no esté soportada por la mesa y el reborde). Sostenga el trabajo firmemente contra el reborde y la mesa. Las operaciones a mano alzada en una sierra ingletadora podrían provocar que la pieza de trabajo sea lanzada a grandes velocidades y cause lesiones graves.
- **NUNCA SE ESTIRE ALREDEDOR O POR DETRÁS DE LA HOJA DE LA SIERRA.** Una hoja puede provocar lesiones graves.
- **NO INTENTE ALCANZAR OBJETOS DEBAJO DE LA SIERRA,** a menos que esté apagada y desenchufada. Si entra en contacto con la hoja puede sufrir lesiones personales.

- **FIJE LA MÁQUINA EN UNA SUPERFICIE DE APOYO ESTABLE.** La máquina podría deslizarse, moverse del lugar o volcarse debido a la vibración y causar lesiones graves.
- **UTILICE ÚNICAMENTE HOJAS PARA SIERRA DE CORTE TRANSVERSAL** que se recomiendan para el uso con sierra para cortar ingletes. Para conseguir los mejores resultados, no use hojas con punta de carburo con el ángulo de gancho superior a 7 grados. No utilice hojas con pasos profundos. Podrían entrar en contacto con la guarda y desviarla y de este modo dañar la máquina o provocar lesiones graves.
- **USE ÚNICAMENTE LAS HOJAS DEL TAMAÑO Y TIPO CORRECTOS** especificados para esta herramienta, a fin de prevenir daños a la máquina o lesiones graves.
- **REVISE QUE NO HAYA FISURAS EN LA HOJA** o cualquier otro daño antes de comenzar a trabajar. Es posible que una hoja con fisuras o dañada se parta; los pedazos pueden salir despedidos a alta velocidad y provocar lesiones graves. Reemplace las hojas con fisuras o dañadas inmediatamente.
- **LIMPIE LA HOJA Y LAS ABRAZADERAS DE DICHA HOJA** antes de comenzar a trabajar. La limpieza de la hoja y las abrazaderas de la hoja le permite verificar si la hoja o las abrazaderas se encuentran dañadas. Es posible que una hoja o abrazadera dañadas o con fisuras se partan y que los pedazos salgan despedidos a alta velocidad y provoquen lesiones graves.
- **NO utilice lubricantes o limpiadores** (especialmente pulverizadores o aerosoles) cerca de la guarda de plástico. El policarbonato utilizado para el protector puede ser corroído por ciertos productos químicos.
- **SIEMPRE UTILICE LA PLACA DE CORTE Y REEMPLÁCELA CUANDO ESTÉ DAÑADA.** La acumulación de astillas pequeñas debajo de la sierra puede interferir con la hoja de la sierra o provocar inestabilidad en la pieza de trabajo al realizar el corte.
- **UTILICE ÚNICAMENTE LAS ABRAZADERAS DE HOJA ESPECIFICADAS PARA ESTA HERRAMIENTA,** a fin de prevenir daños a la máquina o lesiones graves.
- **LIMPIE LAS RANURAS DE AIRE DEL MOTOR,** quite las astillas y el aserrín. Cuando las ranuras de aire del motor están tapadas, la máquina puede recalentarse y, por consiguiente, dañarse y generar un cortocircuito que podría provocar lesiones graves.
- **MANTENGA LOS BRAZOS, LAS MANOS Y LOS DEDOS LEJOS DE LA HOJA** para evitar cortes graves. Fije todas las piezas de trabajo que harían que la mano esté a 152 mm (6") de la hoja de la sierra.
- **NUNCA BLOQUEE EL INTERRUPTOR EN LA POSICIÓN "ON" (DE ENCENDIDO).** Puede causar lesiones personales graves.
- **APAGUE LA MÁQUINA** y deje que la hoja se detenga completamente antes de levantar el brazo y antes de limpiar el área de la hoja, eliminar los desechos en el trayecto de la hoja, antes de realizar reparaciones o ajustes en la herramienta. Una hoja en movimiento puede provocar lesiones graves.
- **APOYE ADECUADAMENTE PIEZAS DE TRABAJO LARGAS O ANCHAS.** La pérdida del control de la pieza de trabajo puede causar lesiones.
- **NUNCA CRUCE LOS BRAZOS FRENTE A LA HOJA** mientras la herramienta está en funcionamiento. Siempre ensaye con la máquina apagada antes de realizar un corte de acabado para que pueda inspeccionar el trayecto de la hoja o, de otro modo, puede sufrir lesiones personales graves.
- **ENCONTRARÁ INFORMACIÓN ADICIONAL** disponible acerca de la operación correcta y segura de herramientas eléctricas (por ejemplo: un vídeo de seguridad) en el Instituto de Herramientas Eléctricas (Power Tool Institute), 1300 Sumner Avenue, Cleveland, OH 44115-2851 (www.powertoolinstitute.com). Además, encontrará información disponible en el Consejo Nacional de Seguridad (National Safety Council), 1121 Spring Lake Drive, Itasca, IL 60143-3201. Remítase a los Requisitos de Seguridad 01.1 para las máquinas de carpintería del Instituto Estadounidense de Normas Nacionales (American National Standards Institute - ANSI) y a las normas OSHA 1910.213 del Departamento de Trabajo de los Estados Unidos.

⚠ADVERTENCIA: No conecte la unidad a la fuente de energía hasta no haber leído y comprendido todas las instrucciones.

⚠ADVERTENCIA: Durante el uso, use siempre protección auditiva adecuada que cumpla con la norma ANSI S12.6 (S3.19). En ciertas circunstancias y según el período de uso, el ruido de este producto puede contribuir a la pérdida de audición.

⚠ADVERTENCIA: NUNCA REALICE CORTES SIN QUE EL MATERIAL ESTÉ BIEN SUJETO A LA MESA Y CONTRA LA GUÍA.

⚠ADVERTENCIA: Algunas partículas de polvo generadas al lijar, serrar, esmerilar y taladrar con herramientas eléctricas, así como al realizar otras actividades de construcción, contienen químicos que el Estado de California sabe que pueden producir cáncer, defectos congénitos u otras afecciones reproductivas. Ejemplos de estos químicos son:

- plomo de algunas pinturas en base a plomo,
- polvo de sílice proveniente de ladrillos y cemento y otros productos de albañilería, y
- arsénico y cromo provenientes de madera tratada químicamente.

El riesgo derivado de estas exposiciones varía, según la frecuencia con la que se realice este tipo de trabajo. Para reducir la exposición a estos productos químicos: se recomienda trabajar en áreas bien ventiladas y usar equipos de seguridad aprobados, como las máscaras para polvo especialmente diseñadas para filtrar las partículas microscópicas.

• **Evite el contacto prolongado con las partículas de polvo originadas al lijar, aserrar, esmerilar, taladrar y realizar demás actividades de la construcción. Use indumentaria protectora y lave las áreas expuestas con agua y jabón.** Evite que el polvo entre en la boca y en los ojos o se deposite en la piel, para impedir la absorción de productos químicos nocivos.

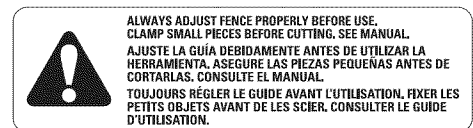
⚠ADVERTENCIA: El uso de esta herramienta puede generar o dispersar partículas de polvo, que pueden causar lesiones respiratorias permanentes y graves u otras lesiones. Use siempre protección respiratoria aprobada por NIOSH/OSHA (Instituto Nacional de Salud y Seguridad Ocupacional de EE.UU./Administración de la Salud y Seguridad Ocupacional de EE.UU.) apropiada para la exposición al polvo. Aloje las partículas de la cara y el cuerpo. Para su comodidad y seguridad, la herramienta incluye las siguientes etiquetas de advertencia.

EN LA CAJA DEL MOTOR:

⚠ADVERTENCIA: POR SU PROPIA SEGURIDAD, LEA EL MANUAL DE INSTRUCCIONES ANTES DE OPERAR LA SIERRA DE INGLETE. AL REPARAR, SÓLO UTILICE PIEZAS DE REPUESTO IDÉNTICAS. NO EXPONGA A LA LLUVIA NI UTILICE EN LUGARES HÚMEDOS. USE SIEMPRE PROTECCIÓN OCULAR Y RESPIRATORIA APROPIADA.

SOBRE LOS REBORDES MÓVILES:

SIEMPRE REGULE CORRECTAMENTE LA GUÍA ANTES DE UTILIZAR LA HERRAMIENTA. AJUSTE LAS PIEZAS PEQUEÑAS ANTES DE CORTAR. CONSULTE EL MANUAL.



EN EL PROTECTOR:

PELIGRO: MANTÉNGASE ALEJADO DE LA HOJA.

EN EL PROTECTOR SUPERIOR:

SUJETE EL SOPORTE CORRECTAMENTE CON AMBOS TORNILLOS ANTES DE USAR.

EN LA MESA: (2 LUGARES)

⚠ADVERTENCIA: POR SU PROPIA SEGURIDAD, LEA EL MANUAL DE INSTRUCCIONES ANTES DE OPERAR LA SIERRA INGLETADORA.



MANTENGA LAS MANOS ALEJADAS DEL TRAYECTO DE LA HOJA DE LA SIERRA. NO OPERE LA SIERRA SI LOS PROTECTORES NO ESTÁN ADECUADAMENTE INSTALADOS. VERIFIQUE QUE EL PROTECTOR INFERIOR CIERRE CORRECTAMENTE ANTES DE CADA USO. REALICE SIEMPRE LOS AJUSTES NECESARIOS ANTES DE UTILIZAR LA HERRAMIENTA. NO REALICE NINGUNA OPERACIÓN SIN UTILIZAR LAS MANOS. NUNCA SE ESTIRE PARA ALCANZAR ALGO DETRÁS DE LA HOJA DE LA SIERRA. NUNCA CRUCE LOS BRAZOS FRENTE A LA HOJA. APAGUE LA HERRAMIENTA Y ESPERE A QUE LA HOJA SE DETENGA POR COMPLETO ANTES DE RETIRAR LA PIEZA DE TRABAJO, CAMBIAR LOS AJUSTES O MOVER LAS MANOS. DESCONECTE LA HERRAMIENTA ANTES DE HACERLE EL MANTENIMIENTO O ANTES DE CAMBIAR LA HOJA. A FIN DE REDUCIR EL RIESGO DE LESIONES, REGRESE LA SIERRA A LA POSICIÓN VERTICAL DESPUÉS DE CADA OPERACIÓN. ¡PRESTE ATENCIÓN! PUEDE EVITAR ACCIDENTES.

EN BASE: (2 LUGARES)



Conexión eléctrica

Asegúrese de que el suministro de energía concuerde con lo marcado en la placa. 120 voltios, CA significa que la sierra funciona con corriente alterna. El interruptor puede fallar si se utiliza corriente directa. Un descenso en el voltaje del diez por ciento o más producirá una pérdida de potencia y sobrecalentamiento. Todas las herramientas DEWALT están probadas en fábrica. Si esta herramienta no funciona, revise el suministro de energía.

Accesorios

⚠ ADVERTENCIA: Debido a que no se han probado con este producto otros accesorios que no sean los que ofrece DEWALT, el uso de dichos accesorios podría ser peligroso. Para reducir el riesgo de lesiones, con este producto deben usarse sólo los accesorios DEWALT recomendados.

Los accesorios que se recomiendan para la herramienta están disponibles para la compra en su distribuidor local o en el centro de mantenimiento autorizado. Si necesita ayuda para localizar algún accesorio para su herramienta, comuníquese con DEWALT Industrial Tool Co., 701 East Joppa Road, Baltimore, MD 21286, llame al 1-800-4-DEWALT (1-800-433-9258) o visite nuestro sitio Web: www.dewalt.com.

Accesorios opcionales (Fig. 1)

Los siguientes accesorios, diseñados para su sierra, pueden resultar útiles. En algunos casos, pueden resultar más apropiados otros soportes para piezas de trabajo, topes longitudinales, abrazaderas, etc. obtenidos localmente. Sea cuidadoso al seleccionar y utilizar los accesorios.

Soporte de extensión para piezas de trabajo: DW7080

Se utiliza para apoyar piezas sobresalientes de gran longitud; el soporte para tarea es ensamblado por el usuario. Su base para la sierra está diseñada para aceptar dos soportes para tareas, uno a cada lado.

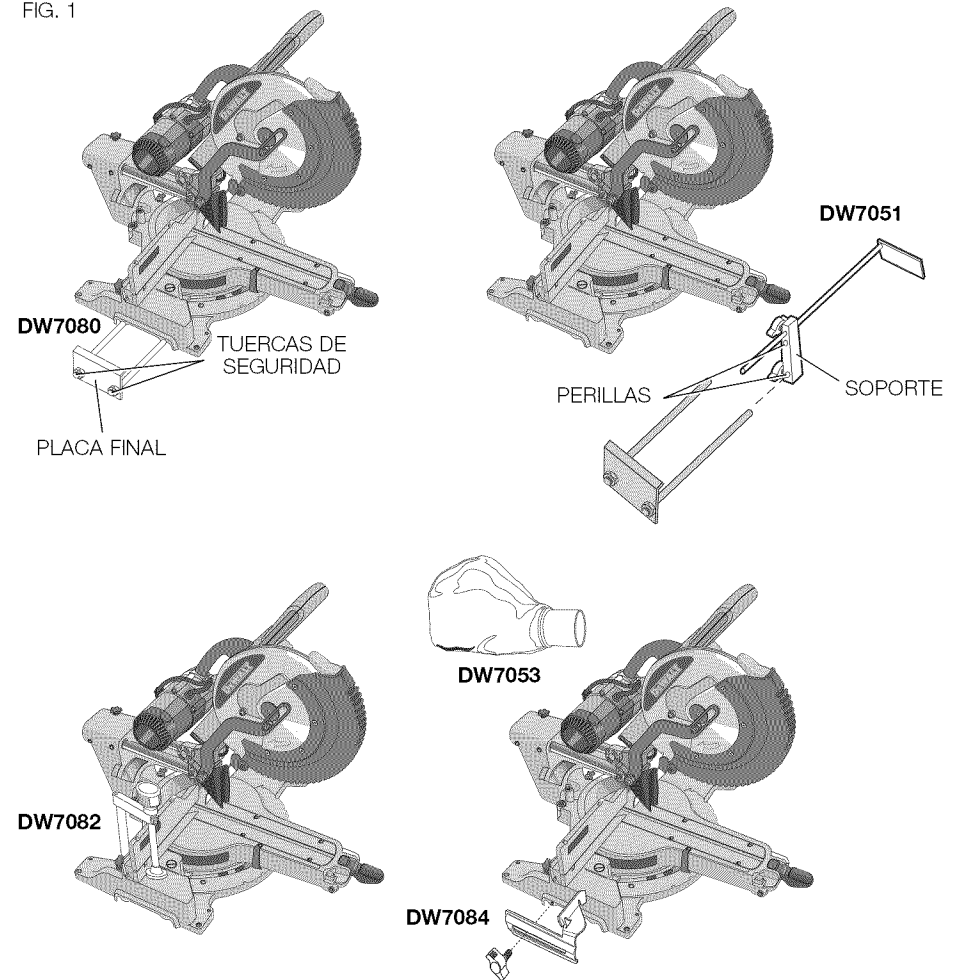
Tope longitudinal regulable: DW7051

Requiere el uso de un soporte de extensión para piezas de trabajo (DW7080) (refiérase a la Figura 1). Se utiliza para realizar cortes repetitivos de la misma longitud, de 0 cm a 107 cm (0" a 42").

Abrazadera: DW7082 (modelo similar incluido)

Se utiliza para sujetar firmemente la pieza de trabajo a la mesa de la sierra y así lograr cortes de precisión.

FIG. 1



Bolsa para polvo: DW7053

Equipada con cierre para permitir su práctico vaciado, la bolsa para polvo recoge la mayor parte del aserrín generado.

Reborde para molduras de corona: DW7084

Se utiliza para el corte preciso de molduras de corona.

HOJAS DE SIERRA: UTILICE SIEMPRE HOJAS DE SIERRA DE 305 mm (12 pulg.) CON ORIFICIOS DE MANDRIL DE 25,4 mm (1 pulg.) Ó 15,88 mm (5/8 pulg.). LA VELOCIDAD DEBE SER DE AL MENOS 4.800 rpm. Nunca use hojas de menor diámetro. No estarán adecuadamente protegidas. Sólo use hojas de corte transversal. No use hojas diseñadas para cortes longitudinales, hojas de combinación u hojas con ángulos de gancho superiores a 7°.

DESCRIPCIONES DE LAS HOJAS		
APLICACIÓN	DIÁMETRO	DIENTES
HOJAS DE SIERRA PARA LA CONSTRUCCIÓN <i>(ranura fina con borde antiadherente)</i>		
Propósito general	305 mm (12")	40
Excelentes cortes transversales	305 mm (12")	60
HOJAS DE SIERRA PARA CARPINTERÍA <i>(producen cortes limpios y parejos)</i>		
Excelentes cortes transversales	305 mm (12")	80
Metales no ferrosos	305 mm (12")	96

NOTA: Para el corte de metales no ferrosos, utilice sólo hojas de sierra con dientes TCG (Triple Chip Grind) diseñados para este propósito.

Desembalar la sierra

Controle el contenido de la caja de la sierra ingletadora para asegurarse de haber recibido todas las piezas. Además de este manual de instrucciones, la caja debe contener:

- 1 Sierra ingletadora DWS782
- 1 Hoja de sierra DEWALT de 305 mm (12") de diámetro
- En la bolsa:
 - 1 Llave de la hoja
 - 1 Bolsa para polvo DW7053
 - 1 Abrazadera para sujetar los materiales

Especificaciones

CAPACIDAD DE CORTE

50° de inglete izquierdo, 60° de inglete derecho
49° de bisel a izquierda y derecha

ÁNGULO	CAPACIDAD MÁXIMA DE CORTE		RESULTADO	
0° de inglete	Altura	112 mm (4,4")	Ancho	231 mm (9,1")
	Ancho	349 mm (13,75")	Altura	76 mm (3,0")
45° de inglete	Altura	112 mm (4,4")	Ancho	147 mm (5,8")
	Ancho	244 mm (9,6")	Altura	76 mm (3,0")
45° de bisel – izquierda	Altura	79 mm (3,1")	Ancho	290 mm (11,4")
	Ancho	349 mm (13,75")	Altura	43 mm (1,7")
45° de bisel – derecha	Altura	56 mm (2,2")	Ancho	290 mm (11,4")
	Ancho	349 mm (13,75")	Altura	28 mm (1,1")

Su sierra tiene capacidad para cortar molduras de base retenidas verticalmente de 20 mm (0,8 pulg.) de grosor por 171 mm (6,75 pulg.) de altura sobre un inglete a 45° derecho o izquierdo, al utilizar la palanca de bloqueo deslizante (Fig. 7).

NOTA: La sierra, con un procedimiento de configuración especial, puede cortar. Consulte **Cortes especiales**.

0° de inglete	1,5 (38 mm) de altura	16,1 (409 mm) de ancho
45° de inglete	1,5 (38 mm) de altura	11,7 (297 mm) de ancho

Familiarizarse con la herramienta

La sierra ingletadora viene completamente armada en la caja. Abra la caja y retire de ella la sierra utilizando el conveniente mango de elevación, como lo muestra la Figura 2.

Coloque la sierra sobre una superficie lisa y plana, como un banco de trabajo o una mesa fuerte.

Observe la Figura 4 para familiarizarse con la sierra y sus diversas piezas. En la sección de will ajustes se describen estas piezas, y es preciso que usted sepa cuáles son y en qué lugar se encuentran.

⚠ ATENCIÓN: Riesgo de pellizco. Para reducir el riesgo de lesión, mantenga el pulgar debajo de la agarradera de operación al halar la palanca hacia abajo. El protector inferior se moverá hacia arriba a medida que la agarradera de operación es halada hacia abajo, lo que podría provocar pellizcos. La agarradera de operación es colocada cerca del protector para cortes especiales.

Oprima ligeramente hacia abajo la agarradera de operación y saque el pestillo de seguridad. Disminuya levemente la presión hacia abajo y sostenga la agarradera de operación, permitiendo que se eleve a su altura máxima. Utilice el pestillo de seguridad al transportar la sierra de un sitio a otro. Utilice siempre el mango de elevación para el transporte de la sierra, o utilice los asideros que se muestran en la Figura 4.

Montaje en el banco de trabajo

Las cuatro patas tienen orificios para facilitar el montaje en el banco, como se muestra en la Figura 4. (Los orificios son de dos tamaños diferentes para adaptarse a distintos tamaños de tornillos. Utilice cualquiera de los dos orificios, no es necesario utilizar ambos.) Siempre monte la sierra firmemente en una superficie estable, para evitar movimientos. Para facilitar su transporte, se puede montar la herramienta a una pieza de madera contrachapada de 12,7 mm (1/2") de espesor o más, que puede a su vez fijarse al soporte de la pieza de trabajo o trasladarse a otros puestos de trabajo y volver a fijarse.

NOTA: Si elige montar la sierra a una pieza de madera contrachapada, asegúrese de que los tornillos de montaje no sobresalgan de la parte inferior de la madera. La madera contrachapada debe quedar bien estabilizada sobre el soporte de trabajo. Al sujetar la sierra a cualquier superficie de trabajo, utilice únicamente los refuerzos de sujeción donde se encuentran los orificios de los tornillos de montaje. La sujeción en cualquier otro punto interferirá con el correcto funcionamiento de la sierra.

⚠ ATENCIÓN: Para evitar bloqueos e imprecisiones, asegúrese de que la superficie de montaje no esté deformada o desnivelada. Si la sierra oscila sobre la superficie de trabajo, coloque un trozo delgado de material bajo una de las patas de la sierra para afirmarla sobre la superficie de montaje.

INSTRUCCIONES DE SEGURIDAD IMPORTANTES

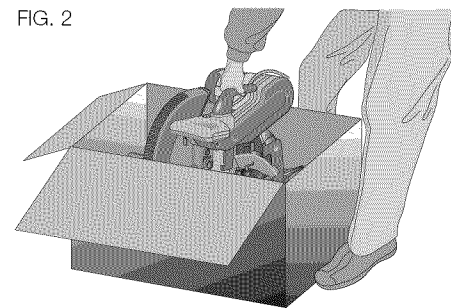
Cambio o instalación de una hoja de sierra nueva (Fig. 3)

⚠ ADVERTENCIA: Para reducir el riesgo de lesiones personales graves, apague la herramienta y desconéctela de la fuente de alimentación antes de instalar y retirar accesorios, ajustar o cambiar configuraciones o realizar reparaciones. Un arranque accidental podría causar lesiones.

⚠ ATENCIÓN:

- Nunca oprima el botón de bloqueo del eje mientras la hoja esté en funcionamiento o en marcha por inercia.

FIG. 2



- No utilice la sierra ingletadora para cortar metales ferrosos (que contengan hierro o acero), mampostería o productos de cemento de fibra.

Retiro de la hoja (Fig. 3)

1. Desenchufe la sierra.
2. Levante el brazo hasta la posición superior y levante el protector inferior (A) todo lo que sea posible.
3. Afloje, pero no retire el tornillo del soporte del protector (B) hasta que se pueda levantar suficientemente el soporte como para tener acceso al tornillo de la hoja (E). El protector inferior permanecerá levantado debido a la posición del tornillo del soporte del protector.
4. Oprima el botón de bloqueo del eje (C) mientras gira cuidadosamente la hoja de la sierra a mano hasta enganchar la traba.
5. Manteniendo el botón oprimido, utilice la otra mano y la llave proporcionada (D) para aflojar el tornillo de la hoja. (Gire en sentido de las agujas del reloj, roscas de mano izquierda)
6. Retire el tornillo de la hoja (E), abrazadera externa de la hoja (F), la hoja (G) y el adaptador de hoja (H), si se utiliza. La abrazadera interna de la hoja (I) pueden dejarse en el eje.

NOTA: El adaptador de hoja de 25,4 mm (1") (H) no se utiliza en las hojas que tienen un orificio de 15,88 mm (5/8").

Instalación de la hoja (Fig. 3)

1. Desenchufe la sierra.
2. Con el brazo levantado, el protector inferior abierto y el soporte del protector, coloque la hoja en el eje, sobre el adaptador de hoja (si utiliza una hoja con orificio de 25,4 mm [1"] de diámetro) y contra la abrazadera interna de la hoja, con los dientes de la parte inferior de la hoja apuntando hacia la parte trasera de la sierra.
3. Monte la arandela de sujeción externa sobre el eje.
4. Instale el tornillo de la hoja y, engancho el bloqueo del eje, ajuste el tornillo firmemente con la llave provista (gire en sentido contrario a las agujas del reloj, roscas de mano izquierda).

NOTA: Cuando se utilizan hojas con un diámetro del orificio del disco de 15,88 mm (5/8 pulg.), no se utilizará el adaptador de la hoja y debe conservarse en un lugar seguro para uso futuro. No todos los modelos disponen del adaptador de la hoja.

5. Vuelva a colocar el soporte del protector en su posición original y ajuste firmemente el tornillo del mismo para mantenerlo en lugar.

⚠ ADVERTENCIA:

- El soporte del protector debe ser devuelto a su posición original, y el tornillo del soporte del protector debe ser apretado antes de la activación de la sierra.
- Si no se cumple con esta indicación, el protector podría tocar la hoja de la sierra en rotación,

provocando daños a la sierra y lesiones personales graves.

Transporte de la sierra

⚠ **ADVERTENCIA:** Para reducir el riesgo de lesiones personales graves, apague la herramienta y desconéctela de la fuente de alimentación antes de instalar y retirar accesorios, ajustar o cambiar configuraciones o realizar reparaciones. Un arranque accidental podría causar lesiones.

⚠ **ADVERTENCIA:** Para reducir el riesgo de lesiones corporales graves, SIEMPRE bloquee la perilla de bloqueo de riel, la palanquita de bloqueo de inglete, la perilla de fijación de bisel, el pestillo de seguridad y las perillas de regulación del reborde antes de transportar la sierra.

Para llevar cómodamente la sierra ingletadora de un lugar a otro, se han incluido una agarradera de elevación en la parte superior del brazo de la sierra y asideros en la base, como se muestra en la Figura 4.

CARACTERÍSTICAS Y CONTROLES

⚠ **ADVERTENCIA:** Para reducir el riesgo de lesiones personales graves, apague la herramienta y desconéctela de la fuente de alimentación antes de instalar y retirar accesorios, ajustar o cambiar configuraciones o realizar reparaciones. Un arranque accidental podría causar lesiones.

CONTROL DEL INGLETE (FIG. 5)

La palanquita de bloqueo de inglete y el botón cerrojo de inglete le permiten hacer ingletes con su sierra a 60° a la derecha y 50° a la izquierda. Para poner en ángulo la sierra de inglete, levante la palanquita de bloqueo de inglete, empuje el botón cerrojo de inglete y ajuste el ángulo de inglete deseado en la escala de inglete. Empuje hacia abajo la palanquita de bloqueo de inglete para bloquear el ángulo de inglete.

INTERRUPTOR DE GATILLO (FIG. 4)

El interruptor disparador enciende y apaga su sierra. Se provee un orificio en el gatillo para la inserción de un candado a fin de bloquear la sierra.

PALANCA DE ANULACIÓN DEL CERROJO DE INGLETE (FIG. 5)

La palanca de anulación del cerrojo de inglete le permite anular los ángulos comunes de parada de su sierra. Para anular los ángulos comunes de parada, presione el botón cerrojo de inglete y de vuelta a la palanca de anulación del cerrojo de inglete a la posición vertical.

PERILLA DE FIJACIÓN DE BISEL (FIG. 4)

El bloqueo del bisel permite biselar la sierra 49° a la izquierda o a la derecha. Para fijar el ajuste de biselado, gire la perilla en sentido anti horario. La cabeza de la sierra queda sesgada con facilidad hacia la izquierda o hacia la

FIG. 3

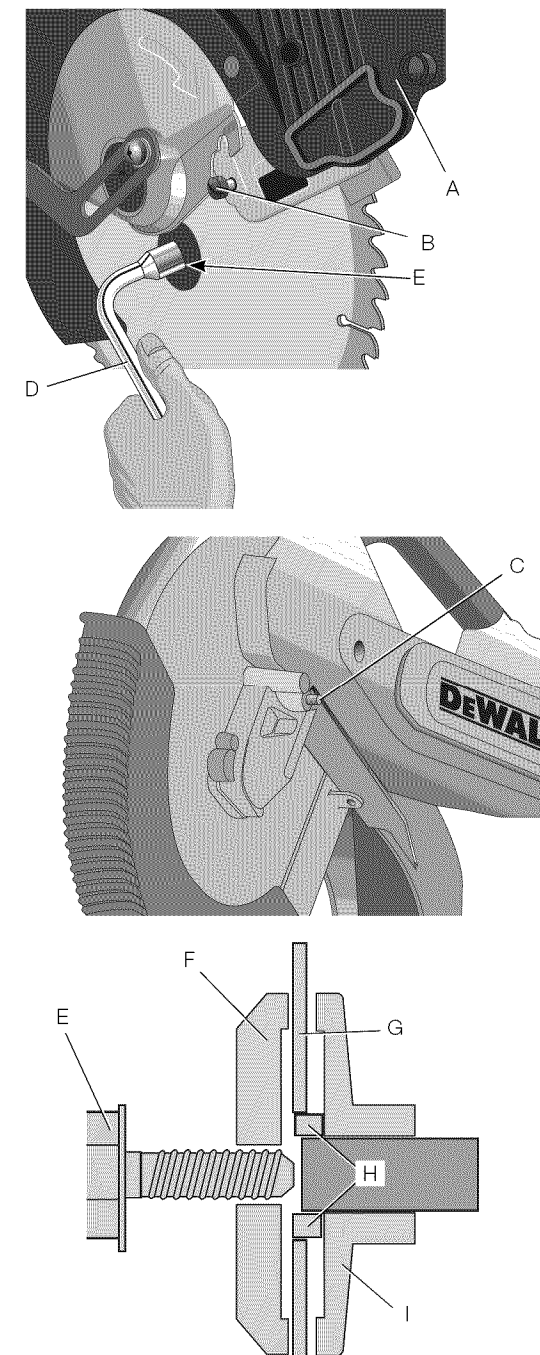


FIG. 4

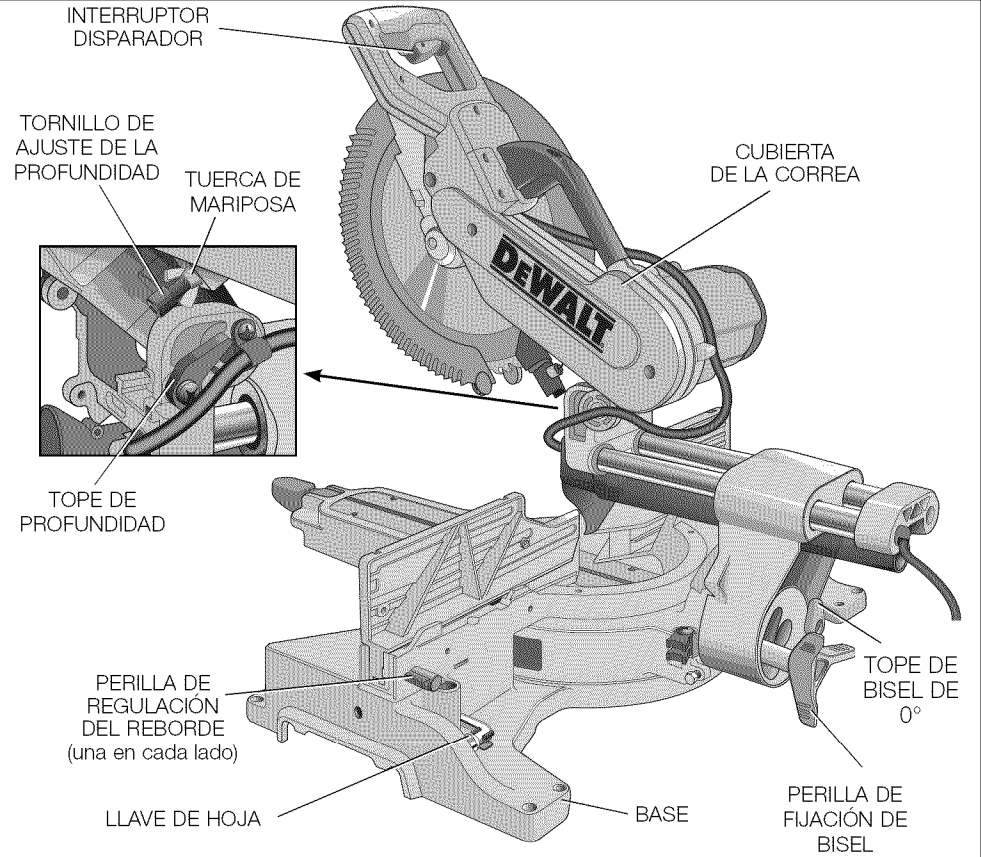
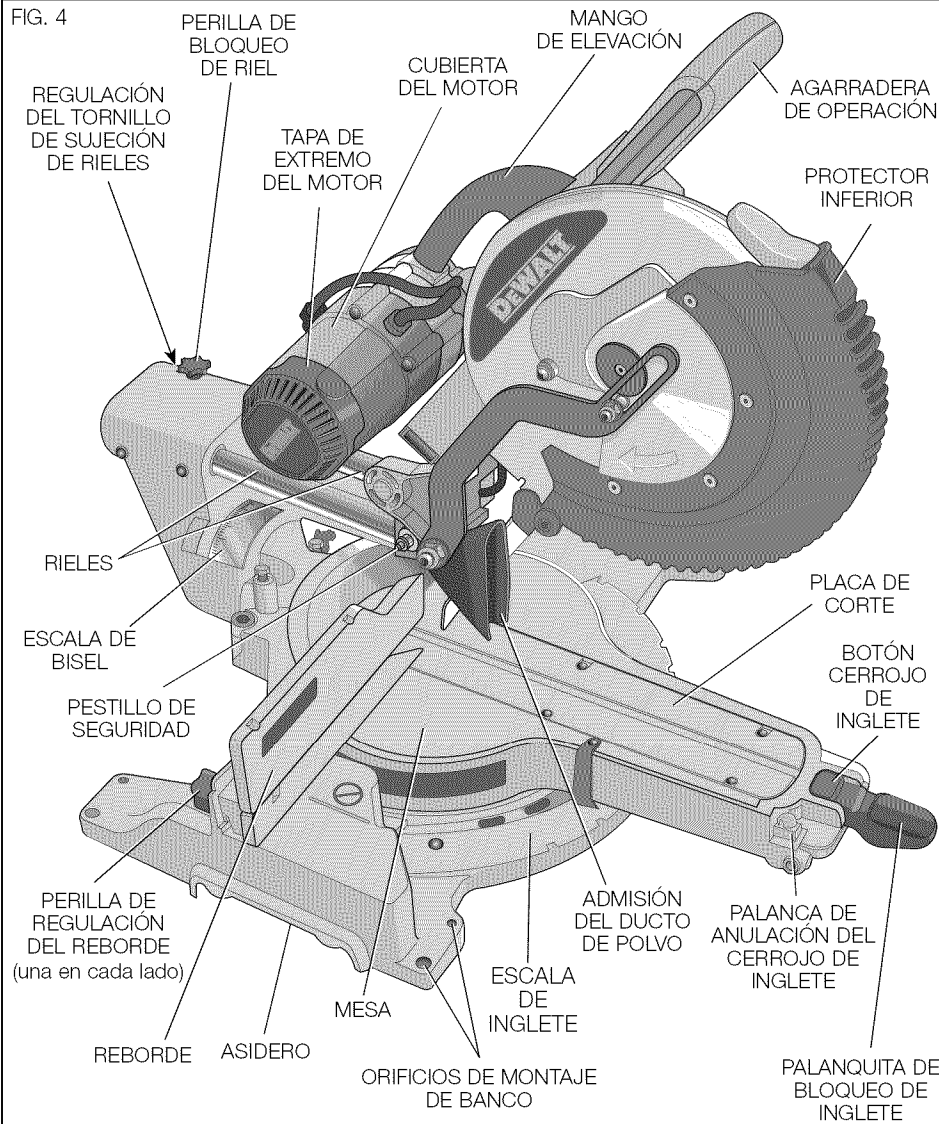


FIG. 5

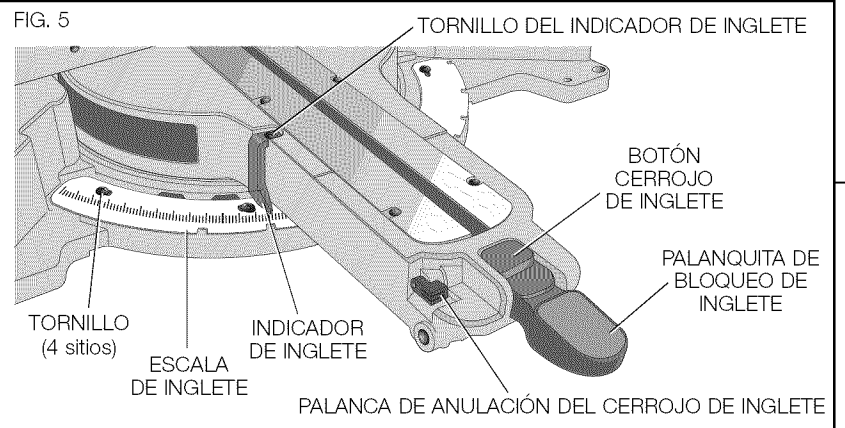


FIG. 6

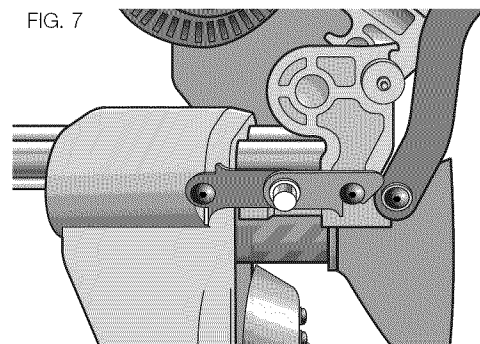
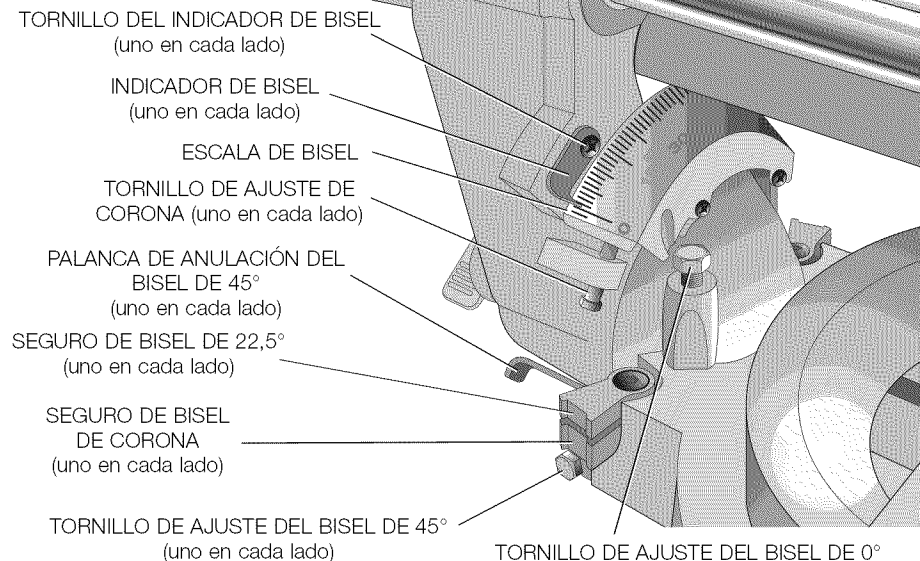


FIG. 7

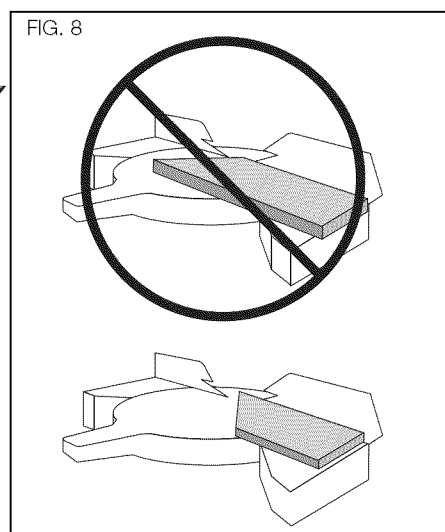


FIG. 8

derecha una vez que se hala la perilla de anulación del bisel de 0°. Para apretar, gire la perilla de fijación de bisel en sentido horario.

ANULACIÓN DEL BISEL DE 0° (FIG. 4)

La anulación del tope de bisel le permite sesgar la sierra a la derecha más allá de la marca de 0°.

Al ser engranada, la sierra se detendrá automáticamente en 0° al ser traída desde la izquierda. Para moverse temporalmente a la derecha más allá de 0°, tire de la perilla de fijación de bisel. Una vez que se suelta la perilla, se engranará la anulación nuevamente. La perilla de fijación de bisel puede ser bloqueada girando la perilla 180°.

Cuando esté a 0°, la anulación encaja en su lugar. Para operar la anulación, sesgue la sierra ligeramente hacia la izquierda.

ANULACIÓN DEL BISEL DE 45° (FIG. 6)

Existen dos palancas de anulación del tope de bisel, una a cada lado de la sierra. Para sesgar la sierra a la izquierda o a la derecha más de 45°, empuje la palanca de anulación de bisel de 45° hacia atrás. Cuando está en la posición hacia atrás, la sierra puede biselar más allá de estos toques. Cuando son necesarios los toques de 45°, tire hacia adelante de la palanca de anulación de bisel de 45°.

SEGUROS PARA BISELADO DE CORONAS (FIG. 6)

Al cortar molduras de corona en posición plana, la sierra está equipada para fijar con precisión y rápidamente un tope de corona, a la izquierda o a la derecha (refiérase a **Instrucciones para cortar molduras de corona en posición plana y usando las funciones compuestas**). El seguro para biselado de coronas se puede girar para que entre en contacto con el tornillo de ajuste de la corona. La sierra ha sido ajustada en fábrica para ser utilizada para las coronas típicas en América del Norte (52/38), pero se puede invertir para cortar coronas atípicas (45/45). Para reversar el seguro para biselado de coronas, retire el tornillo retenedor, el seguro para biselado a 22,5° y el seguro para biselado de coronas a 33,9°. De vuelta al seguro para biselado de coronas de tal modo que el texto a 30° quede mirando hacia arriba. Vuelva a fijar el tornillo para bloquear el seguro para biselado a 22,5° y el seguro para biselado de coronas. El ajuste de precisión no se verá afectado.

SEGUROS PARA BISELADO DE 22,5° (FIG. 6)

Su sierra está equipada para establecer con precisión y de forma rápida un bisel a 22,5°, a la izquierda o a la derecha. El seguro para biselado de 22,5° se puede girar para que entre en contacto con el tornillo de ajuste de la corona.

PERILLA DE BLOQUEO DE RIEL (FIG. 4)

La perilla de bloqueo de riel le permite bloquear con firmeza la cabeza de la sierra para evitar que se deslice sobre los rieles. Esto resulta necesario cuando se realizan determinados cortes o al transportar la sierra.

TOPE DE PROFUNDIDAD (FIG. 4)

El tope de profundidad permite limitar la profundidad de corte de la hoja. El tope es útil para aplicaciones tales como ranurado y cortes verticales altos. Gire el tope de profundidad hacia adelante y ajuste el tornillo de ajuste de la profundidad para fijar la profundidad de corte deseada. Para fijar el ajuste en forma segura, apriete la tuerca de mariposa. El girar el tope de profundidad en la parte trasera de la sierra pasará por alto la característica del tope de profundidad. Si el tornillo de ajuste de la profundidad está demasiado apretado para aflojarlo a mano, la llave proporcionada para la hoja puede ser usada para aflojar el tornillo.

CLAVIJA DE BLOQUEO (FIG. 4)

⚠️ ADVERTENCIA: El pestillo de seguridad debería ser utilizado ÚNICAMENTE al transportar o almacenar la sierra. NUNCA utilice el pestillo de seguridad para una operación de corte.

Para bloquear la cabeza de la sierra en la posición hacia abajo, empuje la cabeza de la sierra hacia abajo, empuje el pestillo de seguridad y suelte la cabeza de la sierra. Esto mantendrá con seguridad la cabeza de la sierra hacia abajo, para mover la sierra de un

lugar a otro. Para soltar, oprima la cabeza de la sierra hacia abajo y extraiga la clavija.

PALANCA DE BLOQUEO DESLIZANTE (FIG. 7)

La palanca de bloqueo deslizante coloca la sierra en una posición para maximizar el corte de molduras de base, cuando se corta verticalmente como se muestra en la Figura 16.

FRENO ELÉCTRICO AUTOMÁTICO

La sierra viene equipada con un freno eléctrico automático que detiene la hoja de la sierra dentro de los cinco segundos después de accionar el disparador. El freno no es regulable. En algunas ocasiones puede producirse un retraso en la activación del freno luego de accionar el disparador. En muy pocas ocasiones puede ocurrir que el freno no se active en absoluto, en cuyo caso la hoja seguirá su marcha por inercia hasta detenerse.

Si se producen retrasos o “saltos”, apague y encienda la sierra cuatro o cinco veces. Si el problema persiste, haga reparar la herramienta en un centro de servicio DEWALT autorizado.

Asegúrese siempre de que la hoja se haya detenido antes de retirarla de la ranura. El freno no sustituye a los protectores, ni tampoco garantiza su seguridad si usted no presta atención al utilizar la sierra.

OPERACIÓN

⚠ADVERTENCIA: Para reducir el riesgo de lesiones personales graves, apague la herramienta y desconéctela de la fuente de alimentación antes de instalar y retirar accesorios, ajustar o cambiar configuraciones o realizar reparaciones. Un arranque accidental podría causar lesiones.

⚠ADVERTENCIA: Siempre utilice protección para los ojos. Todos los usuarios y espectadores deben utilizar protección para los ojos conforme a las normas ANSI Z87.1 (CAN/CSA Z94.3).

Enchufe la sierra en cualquier fuente de alimentación doméstica de 60 Hz. Consulte el voltaje en la placa de la herramienta. Asegúrese de que el cable no interfiera con su trabajo.

Interruptor de gatillo (Fig. 4)

Para encender la sierra, apriete el interruptor disparador. Para apagar la herramienta, suelte el interruptor. Permita que la hoja gire a la velocidad máxima de funcionamiento antes de hacer el corte. Suelte el interruptor disparador y permita que el freno detenga la hoja antes de levantar la cabeza de la sierra. No hay ninguna disposición para bloquear el interruptor en encendido, pero hay un orificio en el gatillo para la inserción de un candado a fin de asegurar la sierra.

Cortes con la sierra

Si no se utiliza la función de deslizamiento, asegúrese de que la cabeza de la sierra esté lo más atrás posible y que la perilla

de bloqueo de riel esté ajustada. Esto evitará que la sierra se deslice por los rieles cuando la pieza esté colocada.

NOTA: Aunque esta sierra podrá cortar madera y materiales no ferrosos, limitaremos nuestra discusión en detalle solamente al corte de madera. Las mismas pautas se aplican a otros materiales. **NO CORTE MATERIALES FERROSOS (HIERRO Y ACERO) O MAMPOSTERÍA CON ESTA SIERRA.** No emplee hojas abrasivas.

NOTA: Consulte la sección de **Maniobra del protector y la visibilidad** en los **Ajustes** para obtener información importante acerca del protector inferior, antes de cortar.

CORTES TRANSVERSALES

Los cortes transversales se realizan cruzando la veta de la madera en cualquier ángulo. Los cortes transversales rectos se realizan con el brazo del inglete en la posición de cero grado. Fije y bloquee el brazo del inglete en cero, sostenga la madera firmemente sobre la mesa y contra el reborde. Con la perilla de bloqueo de riel apretada, encienda la sierra accionando el interruptor disparador que se muestra en la Figura 4.

Una vez que la sierra haya alcanzado velocidad (al cabo de 1 segundo), baje el brazo uniforme y lentamente para cortar a través de la madera. Espere a que la hoja se detenga por completo para levantar el brazo.

Cuando corte algún material más largo de 2 x 8 (51 x 203 mm [2 x 6 (51 x 152 mm) a 45° de inglete]), utilice un movimiento hacia afuera, hacia abajo y hacia atrás con la perilla de bloqueo de riel floja. Traiga la sierra hacia usted, baje la cabeza de la sierra en dirección a la pieza de trabajo y lentamente, empuje la sierra hacia atrás para completar el corte. No permita que la sierra toque la parte superior de la pieza de trabajo mientras la retira. La sierra podría correrse hacia usted, provocándole lesiones personales u ocasionando daños a la pieza de trabajo.

No se recomienda cortar muchas piezas, aunque es posible hacerlo en forma segura siempre que cada pieza esté sostenida firmemente contra la mesa y el reborde.

NOTA: Para brindar una mayor capacidad de cortes transversales con menor carrera, la hoja de la DWS782 se extiende más hacia el centro de la mesa. Como resultado, es posible obtener una mayor fuerza de elevación sobre la pieza de trabajo durante corte.

⚠ADVERTENCIA: Siempre use una abrazadera para el trabajo a fin de mantener el control y reducir el riesgo de dañar la pieza de trabajo y de lesiones personales, si es obligatorio que sus manos estén a no más de 152 mm (6 pulg.) de la hoja durante el corte.

NOTA: La perilla de bloqueo de riel que se muestra en la Figura 4 debe estar floja para permitir que la sierra se deslice a lo largo de los rieles.

Los cortes transversales a inglete se hacen con el brazo de los ingletes en un ángulo distinto de cero. Este ángulo suele ser de 45° para formar esquinas, pero se puede fijar en cualquier parte desde cero a 50° a la izquierda o 60° a

la derecha. Haga el corte como se describe anteriormente. Al realizar un corte a inglete en piezas de trabajo con una anchura mayor de 2 x 6 que son más cortas en longitud, coloque siempre el lado más largo contra el reborde (Fig. 8). Para cortar siguiendo una línea marcada con lápiz sobre la pieza de madera, haga coincidir el ángulo de la forma más precisa posible. Corte la madera con un largo un poco excesivo y mida la distancia desde la línea marcada con lápiz al borde del corte, para determinar en qué dirección se debe ajustar el ángulo del inglete; luego vuelva a realizar el corte. Este proceso requiere cierta práctica, pero es una técnica muy utilizada.

CORTES BISELADOS

Un corte en bisel es un corte transversal hecho con la hoja de la sierra inclinada en ángulo con relación a la madera. Con el fin de fijar el bisel, afloje el bloqueo del bisel (Fig. 4), y mueva la sierra hacia la izquierda o la derecha según se desee. (Es necesario mover el reborde para dejar espacio libre.) Una vez que ha sido fijado el ángulo de bisel deseado, apriete el bloqueo del bisel con firmeza. Refiérase a la sección **Características y controles** para obtener instrucciones detalladas sobre el sistema de biselado.

Los ángulos de bisel se pueden fijar desde 49° a la derecha a 49° a la izquierda y se pueden cortar con el brazo del inglete fijo entre 50° a la izquierda o 60° a la derecha. Es posible que haya que retirar el reborde lateral izquierdo o derecho para algunos ángulos extremos. Para quitar el reborde izquierdo o derecho, desenrosque varias vueltas de la perilla de regulación del reborde y retire el reborde.

NOTA: Consulte **Ajuste de reborde** en la sección **Ajustes** para obtener información importante sobre el ajuste de los rebordes para determinados cortes en bisel.

CALIDAD DEL CORTE

La uniformidad del corte depende de diferentes variables. El tipo de material a cortar, el tipo y filo de la hoja, y la velocidad del corte contribuyen a la calidad.

Cuando se necesitan cortes más uniformes para molduras u otros trabajos de precisión, se debe usar una hoja afilada (60 dientes de carburo) y una velocidad de corte más lenta para lograr los resultados deseados.

Asegúrese de que el material no se mueve o se arrastra durante el corte; sujételo firmemente en su lugar. Siempre permita que la hoja se detenga por completo antes de levantar el brazo de la sierra.

Si aun así se desprenden pequeñas fibras de la parte trasera de la pieza de trabajo, pegue un trozo de cinta adhesiva en la madera donde se realizará el corte. Corte con la sierra a través de la cinta y retirela con cuidado cuando termine.

Para diferentes aplicaciones de cortes, consulte la lista de hojas recomendadas para su sierra y elija la que más se adapte a sus necesidades. Consulte las **Hojas de sierra en Accesorios opcionales**.

POSICIÓN DEL CUERPO Y LAS MANOS (FIG. 9A, 9B)

La correcta posición del cuerpo y las manos mientras opera la sierra ingletadora ayudará a lograr cortes más fáciles, precisos y seguros. Nunca coloque las manos cerca del área de corte. No coloque las manos a menos de 152 mm (6") de distancia de la hoja. Sujete la pieza de trabajo fija a la mesa y al reborde mientras corta. Mantenga las manos en posición hasta que el disparador esté liberado y la hoja se haya detenido por completo. SIEMPRE ENSAYE (SIN CORRIENTE ELÉCTRICA) ANTES DE REALIZAR LOS CORTES, A FIN DE PODER CONTROLAR EL TRAYECTO DE LA HOJA. NO CRUCE LAS MANOS, COMO SE MUESTRA EN LA FIGURA 9B.

Mantenga ambos pies firmes sobre el piso y mantenga el equilibrio adecuado. Mientras usted mueve el brazo del inglete de izquierda a derecha, acompáñelo y párese al costado de la hoja de la sierra. Observe a través de las rejillas protectoras cuando siga una línea de lápiz.

SUJECIÓN DE LA PIEZA DE TRABAJO

⚠ADVERTENCIA: Para reducir el riesgo de lesiones personales graves, apague la herramienta y desconéctela de la fuente de alimentación antes de instalar y retirar accesorios, ajustar o cambiar configuraciones o realizar reparaciones. Un arranque accidental podría causar lesiones.

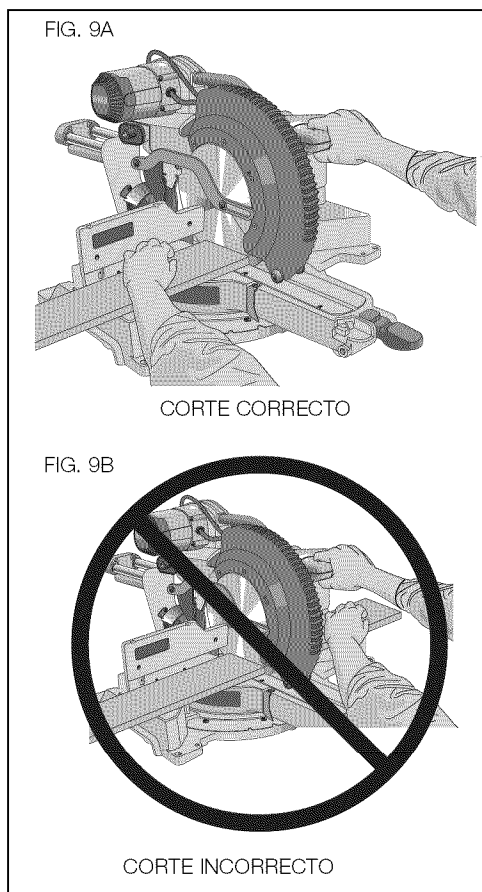
⚠ADVERTENCIA: Una pieza de trabajo que está sujeta con la abrazadera, equilibrada y asegurada antes de realizar un corte puede desequilibrarse después de finalizar el corte. Una carga desequilibrada puede inclinar la sierra o cualquier objeto en el que esté instalada dicha sierra, como una mesa o un banco de trabajo. Al realizar un corte que puede desequilibrarse, sostenga adecuadamente la pieza de trabajo y asegúrese de que la sierra esté atornillada con firmeza a una superficie estable. Pueden ocasionar lesiones personales.

⚠ADVERTENCIA: El pie de la abrazadera debe permanecer sujetado con la abrazadera por encima de la base de la sierra siempre que se utilice la abrazadera. Siempre sujete la pieza de trabajo con la abrazadera a la base de la sierra (no a cualquier otra pieza del área de trabajo). Asegúrese de que el pie de la abrazadera no esté sujetado al borde de la base de la sierra.

⚠ATENCIÓN: Siempre use una abrazadera para el trabajo a fin de mantener el control y reducir el riesgo de dañar la pieza de trabajo y de lesiones personales, si es obligatorio que sus manos estén a no más de 152 mm (6 pulg.) de la hoja durante el corte.

Si no puede sujetar la pieza de trabajo con la mano sobre la mesa y contra el reborde, (forma irregular, etc.), o si su mano quedara a menos de 152 mm (6") de la hoja, debe utilizar una abrazadera u otro tipo de sujeción.

Use la abrazadera para sujetar los materiales suministrada con su sierra. Para adquirir la abrazadera para sujetar los materiales, póngase en contacto con su distribuidor local o centro de servicio DEWALT.



También pueden ser apropiados otros accesorios, como las abrazaderas de resorte, las abrazaderas de barra o las abrazaderas en C, según los diferentes tamaños y formas del material. Sea cuidadoso al elegir y colocar estas abrazaderas. Tómese el tiempo para ensayar el corte con la sierra apagada antes de realizarlo. El reborde izquierdo o derecho se deslizará de lado a lado para facilitar la sujeción.

PARA INSTALAR LA ABRAZADERA

1. Introdúzcala en el orificio detrás de la guía. La abrazadera debe estar mirando hacia la parte posterior de la sierra ingletadora. La ranura en la barra de la abrazadera debe estar completamente dentro de la base. Asegúrese de que esta ranura esté completamente dentro de la base de la sierra ingletadora. Si la ranura está visible, la abrazadera no estará segura.
2. Gire la abrazadera 180° hacia el frente de la sierra ingletadora.

3. Suelte la perilla para ajustar la abrazadera hacia arriba o abajo, luego, utilice la perilla fina ajustable para sostener con firmeza la pieza de trabajo con la abrazadera.

NOTA: Coloque la abrazadera en el lado opuesto de la base al realizar el biselado. SIEMPRE ENSAYE ANTES DE REALIZAR LOS CORTES (SIN CORRIENTE ELÉCTRICA) PARA COMPROBAR EL TRAYECTO DE LA HOJA. ASEGÚRESE DE QUE LA ABRAZADERA NO INTERFIERA CON LA ACCIÓN DE LA SIERRA O LOS PROTECTORES.

AJUSTES

⚠ADVERTENCIA: Para reducir el riesgo de lesiones personales graves, apague la herramienta y desconéctela de la fuente de alimentación antes de instalar y retirar accesorios, ajustar o cambiar configuraciones o realizar reparaciones. Un arranque accidental podría causar lesiones.

Su sierra ingletadora es ajustada completa y exactamente en la fábrica en el momento de la fabricación. Si se requiere el reajuste debido al envío y manejo o por cualquier otro motivo, siga las instrucciones abajo para ajustar su sierra. Una vez realizados, estos ajustes deberían seguir siendo precisos. Tómese un poco de tiempo en este momento para seguir estas instrucciones cuidadosamente a fin de mantener la precisión para la que está capacitada su sierra.

AJUSTE DE LA ESCALA DE INGLETE (FIG. 5, 10)

Bloquee el brazo en la posición inferior. Desbloquee la palanquita de bloqueo de inglete y desplace el brazo de los ingletes hasta que el botón cerrojo de inglete la trabe en la posición de inglete de 0°. No bloquee la palanquita de bloqueo de inglete. Coloque una escuadra contra el reborde y la hoja de la sierra, como se muestra. (No toque las puntas de los dientes de la hoja con la escuadra. El hacerlo causará una medición imprecisa). Si la hoja de la sierra no está exactamente perpendicular al reborde, afloje los cuatro tornillos que sujetan la escala de inglete y mueva la palanquita de bloqueo de inglete y la escala a la izquierda o a la derecha hasta que la hoja quede perpendicular al reborde, según lo medido con la escuadra. Apriete de nuevo los cuatro tornillos. No preste atención a la lectura del indicador de inglete en este momento.

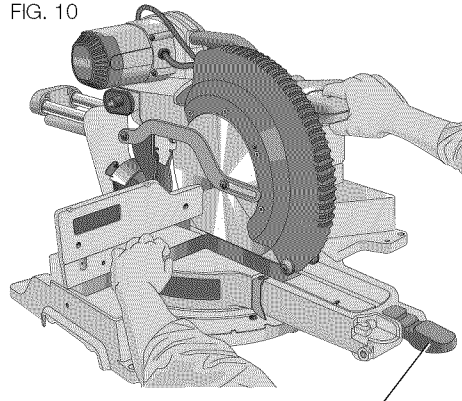
AJUSTE DEL INDICADOR DE INGLETE (FIG. 5)

Libere la palanquita de bloqueo de inglete para mover el brazo de los ingletes a la posición cero. Con la palanquita de bloqueo de inglete desbloqueada, permita que el seguro de inglete salte a su lugar a medida que usted gira el brazo de los ingletes a cero. Observe el indicador de inglete y la escala de inglete mostrados en la Figura 5. Si el indicador no señala exactamente cero, afloje el tornillo del indicador de inglete que mantiene el indicador en su lugar, cambie la posición del indicador y apriete el tornillo.

AJUSTE DE ESCUADRA DE BISEL A LA MESA (FIG. 4, 6, 11)

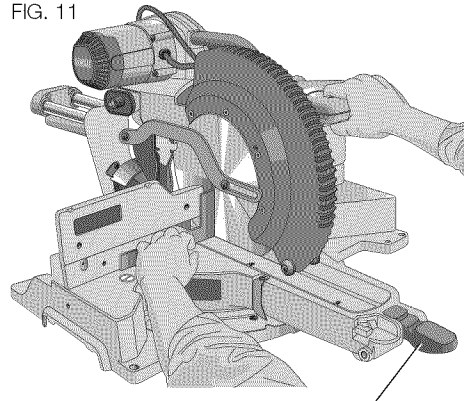
Para alinear la escuadra de la hoja con la mesa, bloquee el brazo en la posición hacia abajo con la clavija de bloqueo. Coloque una escuadra contra la hoja, asegurándose de que la escuadra no esté en la parte superior de un diente. Afloje la perilla de fijación de bisel y cerciórese de que el brazo quede firmemente contra el tope de bisel de 0°. Gire el tornillo de ajuste del bisel de 0° con la llave para la hoja de 1/2 pulg. (13 mm), lo necesario de tal modo que la hoja quede a un bisel de 0° con relación a la mesa, de acuerdo con lo medido con la escuadra.

FIG. 10



PALANQUITA DE BLOQUEO DE INGLETE

FIG. 11



PALANQUITA DE BLOQUEO DE INGLETE

INDICADORES DE BISEL (FIG. 6)

Si los indicadores de bisel no indican cero, afloje los tornillos que sostienen a cada indicador de bisel en su lugar y muévalos según sea necesario. Asegúrese de que el bisel de 0° es correcto y de que los indicadores de bisel estén fijados antes de ajustar otros tornillos de ángulo de bisel.

AJUSTE DE TOPE DE BISEL A 45° A LA DERECHA Y A LA IZQUIERDA (FIG. 4, 6)

Para ajustar el ángulo de bisel de 45° derecho, afloje la perilla de fijación de bisel y hale el tope de bisel de 0° para anular el tope de bisel de 0°. Cuando la sierra esté totalmente a la derecha, si el indicador de bisel no señala exactamente 45°, gire el tornillo de ajuste de 45° izquierdo con la llave para la hoja de 13 mm (1/2 pulg.) hasta que el indicador de bisel indique 45°.

Para ajustar el tope de bisel de 45°, afloje primero la perilla de fijación de bisel e incline el cabezal a la izquierda. Si el indicador de bisel no indica exactamente 45°, gire el tornillo de ajuste del bisel de 45° derecho hasta que el indicador de bisel lea 45°.

AJUSTE DEL TOPE DE BISEL A 22,5° (Ó 33,9°) (FIG. 4, 6)

NOTA: Ajuste los ángulos de bisel sólo después de realizar el ajuste de ángulo de bisel de 0° y el ajuste del indicador de bisel.

Para ajustar el ángulo de bisel de 22,5° izquierdo, saque el seguro para biselado de 22,5° izquierdo. Afloje la perilla de fijación de bisel e incline la cabeza completamente a la izquierda. Si el indicador de bisel no indica exactamente 22,5°, gire el tornillo de ajuste de corona en contacto con el seguro con una llave de 10 mm (7/16 pulg.), hasta que el indicador de bisel lea 22,5°.

Para ajustar el ángulo de bisel de 22,5° derecho, saque el seguro para biselado de 22,5° derecho. Afloje la perilla de fijación de bisel y hale el tope de bisel de 0° para anular el tope de bisel de 0°. Cuando la sierra esté totalmente a la derecha, si el indicador de bisel no señala exactamente 22,5°, gire el tornillo de ajuste de corona en contacto con el seguro con una llave para la hoja de 10 mm (7/16 pulg.) hasta que el indicador de bisel indique exactamente 22,5°.

AJUSTE DE REBORDE (FIG. 4)

A fin de que la sierra pueda biselar en muchas posiciones de biselado, uno de los rebordes podría necesitar ser ajustado para proporcionar espacio libre. Para ajustar cada reborde, afloje la perilla de regulación del reborde y deslice el reborde hacia el exterior. Ensaye una vez con la sierra apagada y revise el espacio libre. Ajuste el reborde para que quede lo más cerca posible de la hoja como resulte práctico para proporcione un apoyo máximo para la pieza de trabajo, sin interferir con el movimiento arriba y hacia abajo del brazo. Apriete firmemente la perilla de regulación del reborde. Al completar las operaciones de biselado, no se olvide de volver a colocar el reborde.

Para ciertos cortes, puede ser deseable acercar los rebordes a la hoja. Para utilizar esta función, devuelva dos vueltas las perillas de regulación del reborde y mueva los rebordes más cerca de la hoja, más allá del límite normal; a continuación, apriete las perillas de ajuste de cerco para mantener los cercos en esta ubicación. Al usar esta función, haga primero un corte en seco para asegurarse de que la hoja no haga contacto con los rebordes.

NOTA: Las pistas de los rebordes pueden quedar obstruidas con aserrín. Si usted nota que se están obstruyendo, utilice un cepillo o un poco de aire a baja presión para limpiar los surcos de guía.

MANIOBRA DEL PROTECTOR Y VISIBILIDAD (FIG. 4)

¡ATENCIÓN: *Riesgo de pellizco.* Para reducir el riesgo de lesión, mantenga el pulgar debajo de la agarradera de operación al halar la agarradera hacia abajo. El protector inferior se moverá hacia arriba a medida que la agarradera de operación es halada hacia abajo, lo que podría provocar pellizcos.

El protector inferior de su sierra ha sido diseñado para descubrir automáticamente la hoja cuando el brazo se baja y cubrir la hoja cuando el brazo se eleva.

El protector se puede levantar a mano al instalar o retirar hojas de sierra o para la inspección de la sierra. **NÓ LEVANTE EL PROTECTOR INFERIOR A MANO A MENOS QUE LA HOJA ESTÉ PARADA.**

NOTA: Algunos cortes especiales de materiales de gran tamaño requieren que el usuario eleve el protector. Consulte las **Corte de material de gran tamaño** en **Cortes especiales**.

La sección frontal del protector tiene rejillas que proporcionan visibilidad durante el corte. Si bien las rejillas reducen considerablemente los residuos volátiles, no dejan de ser aberturas en el protector, por lo que se debe usar anteojos de seguridad en todo momento al mirar por la rejilla.

AJUSTE DE LA PLACA DE CORTE (FIG. 4)

Para ajustar las placas de corte, afloje los tornillos que mantienen las placas de corte en su lugar. Ajuste de tal modo que las placas de corte estén lo más cerca posible sin interferir con el movimiento de la hoja.

Si se desea un ancho de línea de corte de cero, ajuste las placas de corte tan cerca una de la otra como sea posible. Ahora se pueden cortar lentamente con la hoja de la sierra para lograr la más pequeña posible brecha entre la hoja y las placas de corte.

AJUSTE DEL RIEL DE GUÍA (FIG. 4)

Controle periódicamente los rieles para asegurarse que no haya huelgos ni espacios. El riel derecho se puede regular con el tornillo de sujeción indicado en la Figura 4. Para reducir el espacio libre, utilice una llave hexagonal de 4 mm y gire gradualmente el tornillo de sujeción en el sentido de las agujas del reloj, al tiempo que desliza la cabeza de la sierra hacia adelante y hacia atrás. Reduzca los huelgos manteniendo una mínima fuerza de deslizamiento.

AJUSTE DEL BLOQUEO DE INGLETE (Fig. 12)

La varilla de bloqueo de inglete debe ajustarse si la mesa de la sierra se puede mover cuando la palanquita de bloqueo de inglete está bloqueada (abajo). Para ajustar el bloqueo del inglete, lleve la palanquita de bloqueo de inglete a la posición desbloqueada (arriba). Utilizando una llave fija de 13 mm (1/2 pulg.) afloje la tuerca de seguridad sobre la varilla de bloqueo de inglete (Fig. 12). Utilizando un destornillador de punta plana, ajuste la varilla de bloqueo de inglete girándola en sentido horario como se muestra en la Figura 12. Gire la varilla de bloqueo hasta que quede ajustada, luego gírela en sentido anti horario una vuelta. Para asegurarse de que el bloqueo de inglete esté funcionando correctamente, vuelva a bloquear el bloqueo de inglete a una medida sin muesca en la escala de inglete – por ejemplo, 34° – y cerciórese de que la mesa no gire. Apriete la tuerca de seguridad.

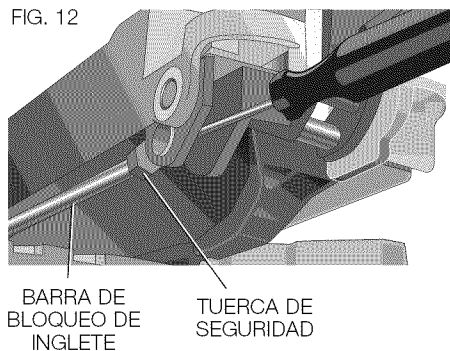


FIG. 12

Soporte de piezas largas

⚠ADVERTENCIA: Para reducir el riesgo de lesiones personales graves, apague la herramienta y desconéctela de la fuente de alimentación antes de instalar y retirar accesorios, ajustar o cambiar configuraciones o realizar reparaciones. Un arranque accidental podría causar lesiones.

SIEMPRE UTILICE SOPORTES PARA LAS PIEZAS LARGAS.

Nunca ponga a otra persona como extensión del banco, como punto de apoyo adicional para una pieza de trabajo que es más larga o ancha que el banco básico de la sierra ingletadora, o para que lo ayude a cargar, sostener o empujar la pieza de trabajo.

Para obtener los mejores resultados, utilice el soporte de extensión para piezas de trabajo DW7080 para ampliar el ancho de mesa de su sierra; está disponible en su distribuidor a un costo adicional. Utilice algún soporte conveniente para apoyar las piezas de trabajo largas, como los caballetes de aserrar u otro dispositivo similar, a fin de evitar que se caigan los extremos de la pieza.

Corte de marcos para fotos, cajas para exhibir objetos y otros elementos de cuatro lados (Fig. 13, 14)

Para comprender mejor cómo se fabrican los elementos aquí enumerados, le sugerimos que intente con algunos proyectos simples, usando madera de descarte, hasta que se acostumbre y domine a la sierra.

La sierra es la herramienta perfecta para cortar esquinas a inglete, como la que se muestra en la Figura 13. El esquema A de la Figura 14 muestra un empalme hecho con la regulación de bisel para biselar los bordes de dos placas a 45° cada una y obtener una esquina a 90°. Para hacer este empalme, el brazo del inglete se bloqueó en la posición cero y la regulación de bisel se bloqueó a 45°. La madera se ubicó con el lado plano ancho contra la mesa y el borde angosto contra el reborde. El corte también se podría haber hecho cortando a inglete de derecha a izquierda, con la superficie ancha contra el reborde.

FIG. 13

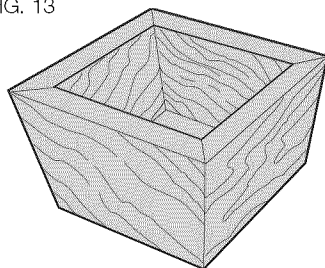
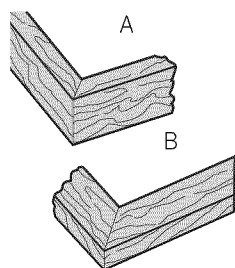


FIG. 14



Corte de molduras de terminación y otros marcos (Fig. 14)

El esquema B de la Figura 14 muestra un empalme realizado con la regulación del brazo de inglete a 45°, para cortar a inglete las dos placas a fin de formar una esquina a 90°. Para hacer este tipo de empalme, fije la regulación del bisel en cero y el brazo de inglete a 45°. Nuevamente, ubique la madera con el lado plano ancho sobre la mesa y el borde angosto contra el reborde.

Los dos esquemas de la Figura 14 corresponden a objetos de cuatro lados.

Si cambia la cantidad de lados, también cambian los ángulos de bisel e inglete. El siguiente cuadro presenta los ángulos adecuados para diferentes formas.

- EJEMPLOS -

NÚMERO DE LADOS	ÁNGULO DE INGLETE O BISEL
4	45°
5	36°
6	30°
7	25,7°
8	22,5°
9	20°
10	18°

En el cuadro se presupone que todos los lados tienen la misma longitud. Para las formas que no figuran en el cuadro, utilice la siguiente fórmula: Divida 180° por la cantidad de lados y obtendrá el ángulo de inglete (si el material se corta en forma vertical) o bisel (si el material se corta en posición plana).

Corte de ingletes compuestos (Fig. 15)

Los ingletes compuestos son cortes que se realizan utilizando un ángulo de inglete y un ángulo de bisel en forma simultánea. Este tipo de corte se utiliza para hacer marcos o cajas con lados inclinados, como el que se muestra en la Figura 15.

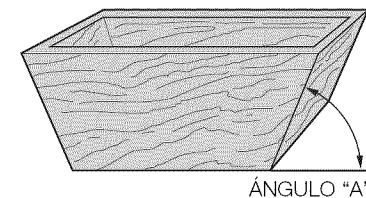
NOTA: Si el ángulo de corte varía de corte a corte, compruebe que la perilla de fijación de bisel y la palanquita de bloqueo de inglete estén bien bloqueadas. Estos deben ser bloqueados después de hacer cualquier cambio en bisel o inglete.

El gráfico al final de este manual (Tabla 1) le ayudará a seleccionar los ajustes de bisel o inglete adecuados para los cortes de ingletes compuestos más comunes. Para utilizar este cuadro, seleccione el ángulo deseado A (Fig. 15) del proyecto y ubique ese ángulo en el arco apropiado del cuadro. Desde ese punto, siga el cuadro en línea recta hacia abajo hasta encontrar el ángulo de bisel correcto y en línea perpendicular, para encontrar el ángulo de inglete correcto.

Fije la sierra en los ángulos indicados y efectúe algunos cortes de prueba. Practique empalmado las piezas cortadas hasta que se familiarice con este procedimiento y se sienta cómodo.

Ejemplo: Para hacer una caja de cuatro lados con ángulos exteriores de 26° (Ángulo A, Fig. 15), utilice el arco derecho superior. Busque 26° en la escala del arco. Siga la línea de intersección horizontal hacia cualquiera de los lados para obtener la regulación del ángulo de inglete en la sierra (42°). De la misma manera, siga la línea de intersección vertical hacia la parte superior o inferior para obtener la regulación de ángulo de bisel en la sierra (18°). Siempre pruebe los cortes sobre algunas piezas de madera de descarte para verificar las regulaciones de la sierra.

FIG. 15



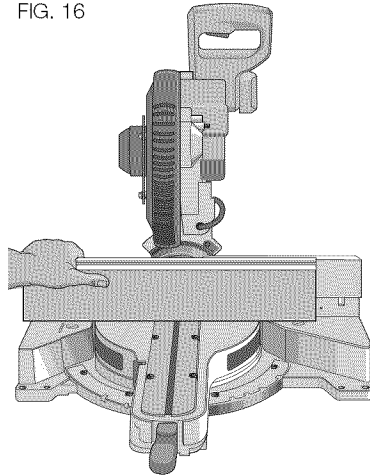
Corte de molduras de base (Fig. 16)

SIEMPRE ENSAYE CON LA SIERRA APAGADA ANTES DE REALIZAR CUALQUIER TIPO DE CORTE.

Cortes rectos de 90°:

Ubique la madera contra el reborde y sosténgala en posición, como se muestra en la Figura 16. Encienda la sierra, permita que la hoja alcance la velocidad máxima y baje el brazo suavemente a través del corte.

FIG. 16



CORTE DE MOLDURAS DE BASE DESDE 76 mm HASTA 171 mm (3 pulg. a 6,75 pulg.) DE ALTO VERTICALMENTE CONTRA EL REBORDE

NOTA: Utilice la palanca de bloqueo deslizante, mostrada en la Figura 7, al cortar molduras de base que midan desde 76 mm hasta 171 mm (3 pulg. hasta 6,75 pulg.) de alto verticalmente contra el reborde.

Ubique el material como se muestra en la Figura 16.

Todos los cortes deben realizarse con la parte posterior de la moldura contra el reborde y con la parte inferior de la moldura contra la mesa.

	ESQUINA INTERIOR	ESQUINA EXTERNA
Lado izquierdo	Inglete izquierdo a 45° Conservar el lado izquierdo del corte	Inglete derecho a 45° Conservar el lado izquierdo del corte
Lado derecho	Inglete derecho a 45° Conservar el lado derecho del corte	Inglete izquierdo a 45° Conservar el lado derecho del corte

Para cortar materiales de hasta 171 mm (6,75"), siga la descripción anterior.

Corte de molduras de corona

Su sierra ingletadora se adapta bien a la tarea de cortar molduras de corona. Para poder instalar adecuadamente las molduras de corona, los ingletes compuestos se deben regular con suma precisión.

Las dos superficies planas de una pieza de moldura de corona están en ángulos que, cuando se juntan, forman un ángulo de 90° exactos. La mayoría de las molduras de corona, aunque no todas, tienen un ángulo posterior superior (la sección que encaja plana contra el techo) a 52° y un ángulo posterior inferior (la parte que encaja plana contra la pared) a 38°.

La sierra ingletadora tiene puntos de cerrojo de inglete preestablecidos a 31,62° a la izquierda y derecha para cortes de molduras de corona del ángulo adecuado, y seguros de tope de bisel a 33,9° a la izquierda y derecha. También hay una marca en la escala de bisel a 33,9°. El cuadro siguiente presenta las regulaciones adecuadas para los cortes de molduras de corona. (Los números de las regulaciones de inglete y bisel son muy precisos y no son fáciles de regular con precisión en la sierra.) Dado que la mayoría de las habitaciones no tienen ángulos exactos a 90°, deberá afinar las regulaciones de todos los modos.

¡HACER PRUEBAS CON MATERIAL DE DESCARTE ES MUY IMPORTANTE!

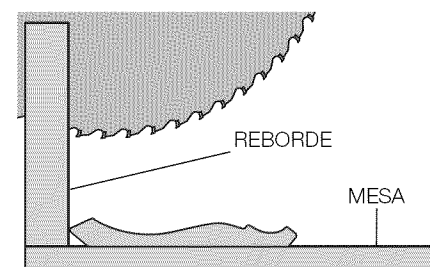
INSTRUCCIONES PARA CORTAR MOLDURAS DE CORONA EN POSICIÓN PLANA Y USANDO LAS FUNCIONES COMPUESTAS

1. La moldura debería quedar plana con la superficie trasera ancha hacia abajo sobre la mesa de la sierra (Fig. 17).
2. Parte superior de la moldura contra el reborde.
3. Los siguientes ajustes corresponden a las molduras de corona estándar (EE.UU.) con ángulos de 52° y 38°.

	ESQUINA INTERIOR	ESQUINA EXTERNA
Lado izquierdo	Bisel izquierdo 33,9° Mesa de inglete fijada a 31,62° derecho Conservar el extremo izquierdo del corte	Bisel derecho 33,9° Mesa de inglete fijada a 31,62° izquierdo Conservar el extremo izquierdo del corte
Lado derecho	Bisel derecho 33,9° Mesa de inglete fijada a 31,62° izquierdo Conservar el extremo derecho del corte	Bisel izquierdo 33,9° Mesa de inglete fijada a 31,62° derecho Conservar el extremo derecho del corte

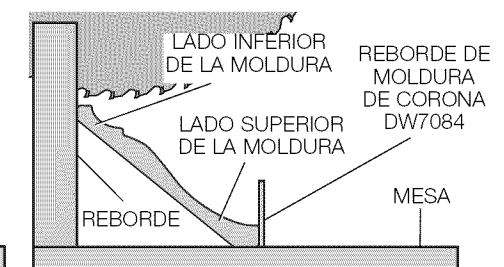
Cuando fije los ángulos de bisel e inglete para todos los ingletes compuestos, recuerde que: Los ángulos presentados para las molduras de corona son muy precisos y difíciles de fijar con exactitud. Dado que los ángulos se pueden alterar con facilidad, y dado que pocas habitaciones forman esquinas en escuadra exacta, todos los ajustes deben probarse en molduras de descarte.

FIG. 17



MOLDURA DE CORONA PLANA SOBRE LA MESA Y CONTRA EL REBORDE

FIG. 18



MOLDURA DE CORONA ENTRE REBORDE Y MESA

¡HACER PRUEBAS CON MATERIAL DE DESCARTE ES MUY IMPORTANTE!

MÉTODO ALTERNATIVO PARA CORTAR MOLDURAS DE CORONA

Coloque la moldura sobre la mesa en ángulo entre el reborde y la mesa de la sierra, como se muestra en la Figura 18. Se recomienda utilizar el accesorio de reborde para moldura (DW7084), por su grado de precisión y comodidad (Fig. 1). Puede comprar el accesorio de reborde para molduras de corona en el distribuidor de su localidad.

La ventaja de cortar molduras de corona con este método es que no requiere ningún corte biselado. Se pueden realizar cambios minuciosos en el ángulo del inglete sin afectar el ángulo de bisel. De esta forma, cuando se encuentran esquinas que no tienen 90°, la sierra se puede regular rápida y fácilmente. Utilice el accesorio de reborde para molduras de corona para mantener el ángulo en el que estará la moldura sobre la pared.

INSTRUCCIONES PARA CORTE DE MOLDURAS DE CORONA EN ÁNGULO ENTRE EL REBORDE Y LA BASE DE LA SIERRA PARA TODOS LOS CORTES

1. Disponga en ángulo la moldura de tal modo que la parte inferior de la moldura (la que va contra la pared cuando está instalada) esté contra el reborde y la parte superior de la moldura se apoye sobre la mesa de la sierra, como se muestra en la Figura 18.
2. Los "planos" en la parte posterior de la moldura deben descansar directamente sobre el reborde y la mesa de la sierra.

	ESQUINA INTERIOR	ESQUINA EXTERNA
Lado izquierdo	Inglete derecho a 45° Conservar el lado derecho del corte	Inglete izquierdo a 45° Conservar el lado derecho del corte
Lado derecho	Inglete izquierdo a 45° Conservar el lado izquierdo del corte	Inglete derecho a 45° Conservar el lado izquierdo del corte

Cortes especiales

NUNCA REALICE CORTES SIN QUE EL MATERIAL ESTÉ BIEN SUJETO A LA MESA Y CONTRA EL REBORDE.

CORTE DE ALUMINIO (FIG. 19, 20)

UTILICE SIEMPRE HOJAS DE SIERRA ADECUADAS, FABRICADAS ESPECÍFICAMENTE PARA CORTAR ALUMINIO. Las puede conseguir en el comercio minorista DEWALT de su localidad o en el centro de servicios DEWALT. Determinadas piezas de trabajo, debido a su tamaño, forma o acabado de superficie pueden requerir el uso de una abrazadera o sujeción para evitar movimientos durante el corte. Ubique al material de manera de cortar la sección más delgada, como se muestra en la Figura 19. La Figura 20 muestra la forma incorrecta de cortar estas extrusiones. Utilice un lubricante de corte de cera en barra cuando corte aluminio. Aplique el lubricante de corte de cera en barra directamente en la hoja de la sierra antes de cortar. Nunca aplique cera en barra en una hoja en movimiento.

La cera, disponible en la mayoría de las ferreterías y en los comercios de abastecimiento para talleres industriales, ofrece la lubricación adecuada y evita que las rebabas se adhieran a la hoja.

Asegúrese de sujetar bien la pieza de trabajo en forma adecuada.

Consulte las **Hojas para sierras** en **Accesorios opcionales** encontrará la hoja de sierra correcta.

MATERIAL CURVADO (FIG. 21, 22)

Cuando corte material curvado, siempre colóquelo como se muestra en la Figura 21 y nunca como se muestra en la Figura 22. La colocación incorrecta del material puede provocar que se pellizque la hoja cerca de la finalización del corte.

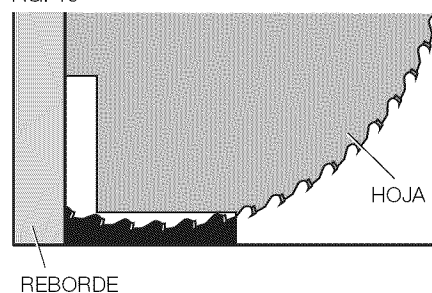
CORTES DE CAÑOS PLÁSTICOS U OTROS MATERIALES REDONDOS

Los caños de plástico se pueden cortar fácilmente con la sierra. Se cortan como madera y **SE SUJETAN O SOSTIENEN FIRMEMENTE AL REBORDE PARA EVITAR QUE RUEDEN.** Esto es muy importante cuando se realizan cortes en ángulo.

CORTE DE MATERIAL DE GRAN TAMAÑO (FIG. 23)

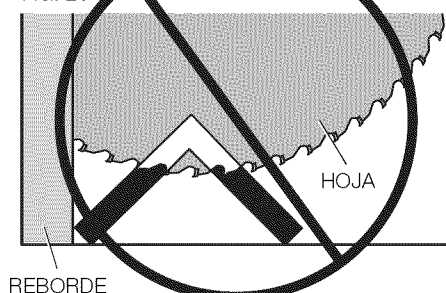
De vez en cuando se encontrará con un trozo de madera un poco grande para caber debajo del protector inferior. De ser así, simplemente coloque su pulgar derecho en la parte superior del protector y enróllelo hacia arriba lo suficiente para despejar la pieza de trabajo

FIG. 19



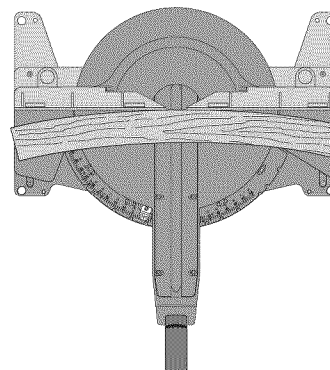
CORRECTO

FIG. 20



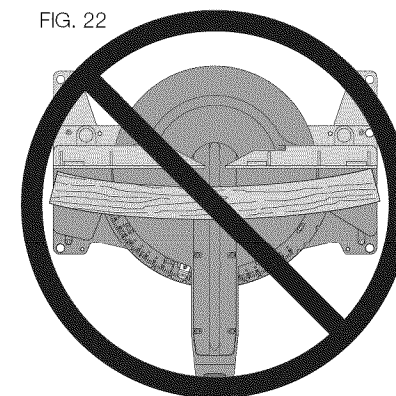
INCORRECTO

FIG. 21



CORRECTO

FIG. 22



INCORRECTO

FIG. 23

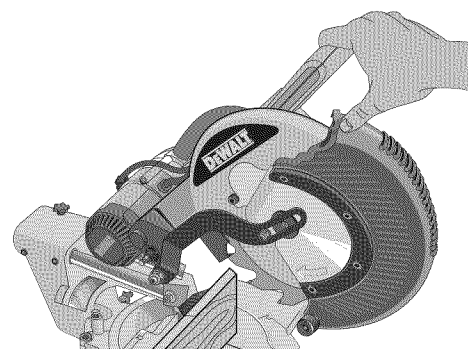
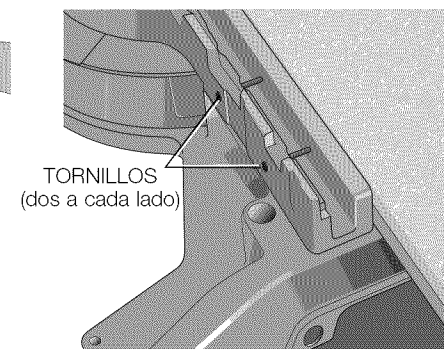


FIG. 24



según se muestra en la Figura 23. Evite hacer esto con demasiada frecuencia, pero si es necesario, la sierra funcionará correctamente y realizará el corte más grande. NUNCA ATE, COLOQUE CINTA O MANTENGA ABIERTO EL PROTECTOR MIENTRAS OPERA ESTA SIERRA.

CONFIGURACIÓN ESPECIAL PARA CORTES TRANSVERSALES ANCHOS (FIG. 24, 25)

La sierra puede cortar piezas de trabajo muy anchas (de hasta 409 mm [16,1"]]) cuando se utiliza una configuración especial. Para configurar la sierra para cortar estas piezas de trabajo, siga los siguientes pasos:

1. Retire de la sierra los dos rebordes correderos, izquierdo y derecho, y póngalos a un lado. Para quitarlos, desenrosque las perillas de regulación del reborde varias vueltas y deslice cada reborde hacia afuera. Ajuste y asegure el control de inglete para que quede a 0° de inglete.
2. Realice una plataforma usando una pieza de 38 mm (1,5") de espesor de una placa de partículas o madera espesa similar plana y fuerte de 38 mm, con las siguientes dimensiones: 368 x 660 mm (14,5" x 26"). La plataforma debe ser plana, de lo contrario el material se podría mover durante el corte y provocar lesiones.
3. Monte la plataforma de 368 x 660 mm en la sierra usando cuatro tornillos para madera de 76,2 mm (3") de largo a través de los orificios en el reborde de la base (Fig. 24). Se deben usar cuatro tornillos para sujetar adecuadamente el material. Cuando se utiliza la configuración especial, la plataforma se cortará en dos piezas. Asegúrese de que los tornillos estén ajustados adecuadamente, de lo contrario el material se aflojará y podría provocar lesiones. Asegúrese de que la plataforma sea plana y esté firme sobre la mesa, contra el reborde y centrada en forma pareja de izquierda a derecha.

⚠ADVERTENCIA: Asegúrese de que la sierra esté montada firmemente en una superficie plana estable. De lo contrario, la sierra quedaría inestable y se podría caer, provocando lesiones personales.

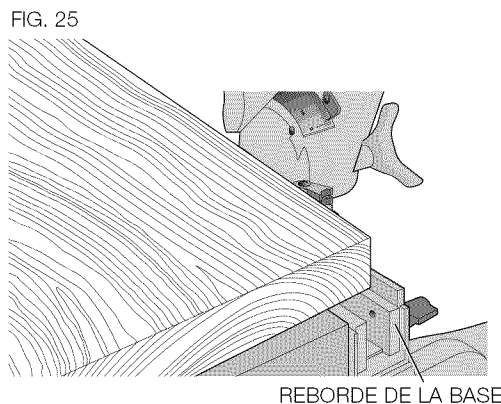
4. Coloque la pieza de trabajo a cortar en la parte de arriba de la plataforma montada sobre la mesa. Cerciórese de que la pieza de trabajo repose firmemente contra la parte de atrás del reborde de la base (Fig. 25).
5. Sujete el material antes de cortar. Corte el material lentamente, empleando un movimiento hacia fuera, abajo y hacia atrás. Si el material no está bien sujeto o si no se corta lentamente, se podría aflojar y provocar lesiones.

Después de que se hagan varios cortes en ángulos de inglete distintos de 0°, la plataforma se puede debilitar y no podría sustentar adecuadamente el trabajo. Instale una plataforma nueva, sin uso, a la sierra después de pre ajustar el ángulo de inglete deseado.

⚠ATENCIÓN: El uso continuado de una plataforma con varios cortes podría resultar en la pérdida del control del material y en posibles lesiones.

MANTENIMIENTO

⚠ADVERTENCIA: Para reducir el riesgo de lesiones personales graves, apague la herramienta y desconéctela de la fuente de alimentación antes de instalar y retirar accesorios, ajustar o cambiar configuraciones o realizar reparaciones. Un arranque accidental podría causar lesiones.



⚠ADVERTENCIA: Para reducir el riesgo de lesiones personales graves, NO toque las partes cortantes de la hoja con los dedos o las manos al realizar tareas de mantenimiento.

NO utilice los lubricantes o los limpiadores (particularmente aerosol o aerosol) en la vecindad del protector plástico. El material del polycarbonato usado en el protector está conforme a ataque al lado de ciertos productos químicos.

1. Todos los rodamientos están sellados. Están lubricados de por vida y no necesitan más mantenimiento.
2. Regularmente quite el polvo y las astillas de madera de alrededor Y DEBAJO de la base y la mesa giratoria. Si bien hay ranuras para permitir que pasen los residuos, siempre se acumula algo de polvo.
3. Los cepillos están diseñados para durar varios años. Si alguna vez los tiene que reemplazar, siga las instrucciones que se brindan en **Cepillos** o lleve la herramienta a reparar al centro de servicios más cercano.

Retiro y reemplazo de la correa (Fig. 4, 26)

La correa está diseñada para durar toda la vida útil de la herramienta. Sin embargo, el abuso de la herramienta podría provocar que falle la correa.

Si la hoja no se activa cuando el motor está funcionando, significa que la correa no funciona. Para inspeccionar o reemplazar la correa, retire los tornillos de la cubierta de la correa. Retire la cubierta de la correa. Inspeccione las costillas de la correa para ver si están desgastadas o fallan. Controle la tensión de la correa apretándola como se muestra en la Figura 26. Las mitades de la correa deberían casi tocarse cuando se las aprieta firmemente con el pulgar y el índice. Para ajustar la tensión afloje, pero no retire, los cuatro tornillos de cabeza de estrella mostrados. Luego rote el tornillo de sujeción que está en la parte superior de la placa del motor hasta lograr la tensión adecuada. Apriete los cuatro tornillos firmemente y reemplace la cubierta de la correa.

AVISO: Si la correa está excesivamente ajustada, puede provocar la falla prematura del motor.

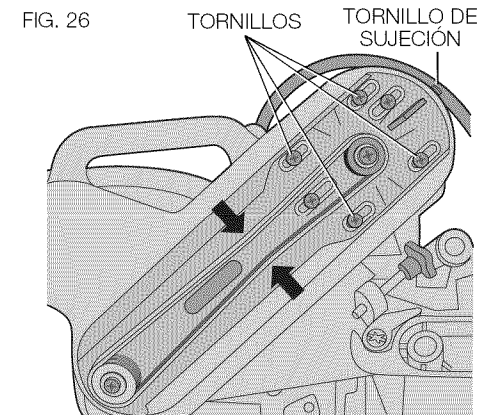
Limpieza del ducto de polvo

Dependiendo de su medio ambiente de corte, el aserrín puede obstruir el ducto de polvo, puede prevenir que el polvo fluya correctamente hacia fuera de la zona de corte. Con la sierra desconectada y la cabeza de la sierra en su posición más alta, se pueden utilizar aire de baja presión o una barra de pasador de gran diámetro para limpiar el polvo del ducto de polvo.

Cepillos

⚠ADVERTENCIA: Para reducir el riesgo de lesiones personales graves, apague la herramienta y desconéctela de la fuente de alimentación antes de instalar y retirar accesorios, ajustar o cambiar configuraciones o realizar reparaciones. Un arranque accidental podría causar lesiones.

Inspeccione regularmente los cepillos de carbono; para hacerlo, desenchufe la herramienta, quite la tapa de extremo del motor (Fig. 4), levante el resorte del cepillo y retire el montaje de cepillos. Mantenga los cepillos limpios de manera que puedan deslizarse cómodamente en sus guías. Al reemplazar un cepillo usado, observe la posición en la que se encuentra



en el soporte, a fin de colocar el nuevo cepillo en la misma posición. Si los cepillos están desgastados a aproximadamente 12,7 mm (1/2 pulg.), los resortes ya no ejercen presión y deben ser reemplazados. Utilice solamente cepillos DEWALT idénticos. Es fundamental utilizar cepillos de la calidad adecuada para que el freno eléctrico funcione correctamente. En los centros de servicio DEWALT podrá conseguir nuevos montajes de cepillos. Se debe dejar que la herramienta funcione a prueba (sin carga) durante diez minutos antes de utilizarla, para que los cepillos nuevos se asienten. El freno eléctrico puede presentar fallas en su funcionamiento hasta que los cepillos estén adecuadamente asentados (gastados). Vuelva a colocar la tapa de inspección de cepillos luego de inspeccionar o reparar los cepillos. Durante el funcionamiento "de prueba" NO ATE, ENCINTE O BLOQUEE EL INTERRUPTOR DISPARADOR. SOSTÉNGALO ÚNICAMENTE CON LA MANO.

Limpieza

▲ADVERTENCIA: Sople la suciedad y el polvo de todos los conductos de ventilación con aire seco, al menos una vez por semana. Para reducir el riesgo de lesiones, utilice siempre protección para los ojos aprobada ANSI Z87.1 al realizar esta tarea.

▲ADVERTENCIA: Nunca utilice solventes ni otros químicos abrasivos para limpiar las piezas no metálicas de la herramienta. Estos productos químicos pueden debilitar los materiales plásticos utilizados en estas piezas. Utilice un paño humedecido sólo con agua y jabón neutro. Nunca permita que penetre líquido dentro de la herramienta ni sumerja ninguna de las piezas en un líquido.

Accesorios

▲ADVERTENCIA: Debido a que no se han probado con este producto otros accesorios que no sean los que ofrece DEWALT, el uso de dichos accesorios con esta herramienta podría ser peligroso. Para reducir el riesgo de lesiones, con este producto deben usarse sólo los accesorios recomendados por DEWALT.

Los accesorios que se recomiendan para utilizar con la herramienta están disponibles a un costo adicional en su distribuidor local o en un centro de mantenimiento autorizado. Si necesita ayuda para localizar algún accesorio, póngase en contacto con DEWALT Industrial Tool Co., 701 East Joppa Road, Baltimore, MD 21286, llame al 1-800-4-DEWALT (1-800-433-9258) o visite nuestro sitio Web: www.dewalt.com.

Reparaciones

Para asegurar la SEGURIDAD y la CONFIABILIDAD del producto, las reparaciones, el mantenimiento y los ajustes deben (inclusive inspección y cambio de carbones) ser realizados en un centro de mantenimiento en la fábrica DEWALT, en un centro de mantenimiento autorizado DEWALT u por otro personal de mantenimiento calificado. Utilice siempre piezas de repuesto idénticas.

PARA REPARACIÓN Y SERVICIO DE SUS HERRAMIENTAS ELÉCTRICAS, FAVOR DE DIRIGIRSE AL CENTRO DE SERVICIO MÁS CERCANO

CULIACAN, SIN

Bldv.Emiliano Zapata 5400-1 Poniente
Col. San Rafael (667) 717 89 99

GUADALAJARA, JAL

Av. La Paz #1779 - Col. Americana Sector Juárez (33) 3825 6978

MEXICO, D.F.

Eje Central Lázaro Cárdenas No. 18
Local D, Col. Obrera (55) 5588 9377

MERIDA, YUC

Calle 63 #459-A - Col. Centro (999) 928 5038

MONTERREY, N.L.

Av. Francisco I. Madero 831 Poniente - Col. Centro (818) 375 23 13

PUEBLA, PUE

17 Norte #205 - Col. Centro (222) 246 3714

QUERETARO, QRO

Av. San Roque 274 - Col. San Gregorio (442) 2 17 63 14

SAN LUIS POTOSI, SLP

Av. Universidad 1525 - Col. San Luis (444) 814 2383

TORREON, COAH

Bldv. Independencia, 96 Pte. - Col. Centro (871) 716 5265

VERACRUZ, VER

Prolongación Díaz Mirón #4280 - Col. Remes (229) 921 7016

VILLAHERMOSA, TAB

Constitución 516-A - Col. Centro (993) 312 5111

PARA OTRAS LOCALIDADES:

Si se encuentra en México, por favor llame al (55) 5326 7100

Si se encuentra en U.S., por favor llame al
1-800-433-9258 (1-800 4-DEWALT)

Póliza de Garantía

IDENTIFICACIÓN DEL PRODUCTO:

Sello o firma del Distribuidor.

Nombre del producto: _____ Mod./Cat.: _____

Marca: _____ Núm. de serie: _____

(Datos para ser llenados por el distribuidor)

Fecha de compra y/o entrega del producto: _____

Nombre y domicilio del distribuidor donde se adquirió el producto: _____

Este producto está garantizado por un año a partir de la fecha de entrega, contra cualquier defecto en su funcionamiento, así como en materiales y mano de obra empleados para su fabricación. Nuestra garantía incluye la reparación o reposición del producto y/o componentes sin cargo alguno para el cliente, incluyendo mano de obra, así como los gastos de transportación razonablemente erogados derivados del cumplimiento de este certificado.

Para hacer efectiva esta garantía deberá presentar su herramienta y esta póliza sellada por el establecimiento comercial donde se adquirió el producto, de no contar con ésta, bastará la factura de compra.

EXCEPCIONES

Esta garantía no será válida en los siguientes casos:

- Cuando el producto se hubiese utilizado en condiciones distintas a las normales;
- Cuando el producto no hubiese sido operado de acuerdo con el instructivo de uso que se acompaña;
- Cuando el producto hubiese sido alterado o reparado por personas distintas a las enlistadas al final de este certificado.

Anexo encontrará una relación de sucursales de servicio de fábrica, centros de servicio autorizados y franquiciados en la República Mexicana, donde podrá hacer efectiva su garantía y adquirir partes, refacciones y accesorios originales.

Registro en línea

Gracias por su compra. Registre su producto ahora para:

- **SERVICIO EN GARANTÍA:** Si completa esta tarjeta, podrá obtener un servicio en garantía más eficiente, en caso de que exista un problema con su producto.
- **CONFIRMACIÓN DE PROPIEDAD:** En caso de una pérdida que cubra el seguro, como un incendio, una inundación o un robo, el registro de propiedad servirá como comprobante de compra.

- **PARA SU SEGURIDAD:** Si registra el producto, podremos comunicarnos con usted en el caso improbable que se deba enviar una notificación de seguridad conforme a la Federal Consumer Safety Act (Ley Federal de Seguridad de Productos para el Consumidor).

Registro en línea en www.dewalt.com/register.

Garantía limitada por tres años

DEWALT reparará, sin cargo, cualquier falla que surja de defectos en el material o la fabricación del producto, por hasta tres años a contar de la fecha de compra. Esta garantía no cubre fallas de las piezas causadas por su desgaste normal o abuso a la herramienta. Para mayores detalles sobre la cobertura de la garantía e información acerca de reparaciones realizadas bajo garantía, visítenos en www.dewalt.com o diríjase al centro de servicio más cercano. Esta garantía no aplica a accesorios o a daños causados por reparaciones realizadas o intentadas por terceros. Esta garantía le otorga derechos legales específicos, además de los cuales puede tener otros dependiendo del estado o la provincia en que se encuentre. Además de la garantía, las herramientas DEWALT están cubiertas por:

1 AÑO DE SERVICIO GRATUITO

DEWALT mantendrá la herramienta y reemplazará las piezas gastadas por su uso normal, sin cobro, en cualquier momento durante un año a contar de la fecha de compra. Los artículos gastados por la clavadora, tales como la unidad de hoja y retorno del impulsador, no están cubiertas.

GARANTÍA DE REEMBOLSO DE SU DINERO POR 90 DÍAS

Si no está completamente satisfecho con el desempeño de su máquina herramienta, láser o clavadora DEWALT, cualquiera sea el motivo, podrá devolverlo hasta 90 días de la fecha de compra con su recibo y obtener el reembolso completo de su dinero – sin necesidad de responder a ninguna pregunta.

AMÉRICA LATINA: Esta garantía no se aplica a los productos que se venden en América Latina. Para los productos que se venden en América Latina, debe consultar la información de la garantía específica del país que viene en el empaque, llamar a la compañía local o visitar el sitio Web a fin de obtener esa información.

REEMPLAZO GRATUITO DE LAS ETIQUETAS DE ADVERTENCIAS: Si sus etiquetas de advertencia se vuelven ilegibles o faltan, llame al 1-800-4-DEWALT (1-800-433-9258) para que se le reemplacen gratuitamente.

SOLAMENTE PARA PROPÓSITO DE MÉXICO:
 IMPORTADO POR: DEWALT INDUSTRIAL TOOL CO. S.A. DE C.V.
 AVENIDA ANTONIO DOVALI JAIME, # 70 TORRE B PISO 9
 COLONIA LA FE, SANTA FÉ
 CÓDIGO POSTAL : 01210
 DELEGACIÓN ALVARO OBREGÓN
 MÉXICO D.F.
 TEL. (52) 555-326-7100
 R.F.C.: BDE810626-1W7

Para servicio y ventas consulte
"HERRAMIENTAS ELECTRICAS"
 en la sección amarilla.



Especificaciones

DWS782

Tensión de alimentación :	120 V AC ~
Consumo de corriente :	15 A
Frecuencia de alimentación :	60 Hz
Potencia de entrada :	1 600W
Rotación sin carga:	3 800/min

WARNING FOR YOUR OWN SAFETY READ INSTRUCTION MANUAL BEFORE OPERATING MITER SAW. KEEP HANDS OUT OF PATH OF SAW BLADE. DO NOT OPERATE SAW WITHOUT GUARDS IN PLACE. CHECK LOWER GUARD FOR PROPER CLOSING BEFORE EACH USE. ALWAYS TESTER ADJUSTMENT BEFORE USE. DO NOT PERFORM ANY OPERATIONS FREQUENTLY. NEVER REACH IN BACK OF SAW BLADE. NEVER CROSS ARMS IN FRONT OF BLADE. TURN OFF TOOL AND WAIT FOR SAW BLADE TO STOP BEFORE MAKING NONPRESSURE CHANGES SETTINGS OR MOVING HANDS. DISCONNECT POWER BEFORE CHANGING BLADE OR SERVICING. TO REDUCE THE RISK OF INJURY, RETURN CHARGED TO THE FULL BEAM POSITION AFTER EACH CROSSCUT OPERATION. ALWAYS WEAR PROTECTIVE GEAR.

ADVERTENCIA PARA SU PROPIA PROTECCIÓN, POR FAVOR LEA DETENIDAMENTE EL MANUAL DE INSTRUCCIONES ANTES DE PONER EN MARCHA LA SIERRA DE INGLETE. MANTENGA LAS MANOS FUERA DEL CAMINO DE LA HOJA. NO HAGA FUNCIONAR LA SIERRA SIN ANTES HABER INSTALADO LAS CUBIERTAS. ASEGURESE QUE LA CUANCA INFERIOR SE ENCUENTRE EN LA POSICIÓN DE CERRAR ANTES DE CADA OPERACIÓN. NUNCA APUNTE LAS PUNTERAS DE AJUSTE ANTES DE ADOPTAR LA HERRAMIENTA. JAMÁS REALICE OPERACIONES DE MANOS LIBRES. JAMÁS ALCANCE POR DETRÁS DE LA HOJA. JAMÁS CRUCE LOS BRAZOS EN FRENTE DE LA HOJA. APAGUE LA HERRAMIENTA Y ESPERE QUE LA HOJA SE DETENGA POR COMPLETO ANTES DE RETORNAR LA PIEZA DE TRABAJO. ANTES DE AJUSTAR LA SIERRA O ANTES DE MOVER LAS MANOS, DESCONECTE LA HERRAMIENTA ANTES DE PRESTARLE MANTENIMIENTO O ANTES DE CAMBIAR LA HOJA. A FIN DE REDUCIR EL RIESGO DE LESIONES PERSONALES, REGrese EL CARGO COMPLETAMENTE PARA ATRÁS DESPUÉS DE CADA CORTE TRANSVERSAL. USE EL SUPORTE COMO ÚNICO PUNTO DE ENFERME LAS ACCIONES.

AVERTISSEMENT POUR MESURE DE SÉCURITÉ, LIRE LE GUIDE D'UTILISATION AVANT DE SE SERVIR DE LA SCIE À ONGLET. ÉLOIGNER LES MAINS DE LA TRAJECTOIRE DE LA LAME. NE PAS UTILISER LA SCIE SANS LES PROTÉCTEURS EN PLACE. VÉRIFIER LA FERMETURE APPROPRIÉE DU PROTÉCTEUR INFERIEUR AVANT CHAQUE UTILISATION. TOUJOURS S'OPPOSER LES DOIGTS VERS L'ARRIÈRE AVANT CHAQUE VERIFICATION. NE PAS EFFECTUER DE TRAVAIL À MAIN LIBRE. NE JAMAIS S'ÉTENDRE VERS L'ARRIÈRE DE LA LAME DE LA SCIE. NE JAMAIS SE CRUISEZ LES BRAS À L'AVANT DE LA SCIE. METTRE COUTRE VOS TENDRE ET ATTENDRE L'IMMOBILISATION COMPLÈTE DE LA LAME AVANT DE DÉPLACER LA PIÈCE À TRAVAIL. AVANT D'AJUSTER LES RÉGLAGES DE LA SCIE OU DE DÉPLACER LES MAINS, DÉBRANCHER L'OUTIL. AVANT DE REMPLACER LA LAME OU DE FAIRE L'ENTRETIEN DE LA SCIE, ARRÊTER L'APPAREIL ET RETOURNER LE CHARGÉ À SA POSITION ARRRIÈRE COMPLÈTE APRES CHAQUE COUPE TRANSVERSALE. S'APPUIER SUR LE PORTANT COMME SEUL POINT D'APPUI POUR LES ACCIONS.

PROPERLY SECURE BRACKET WITH BOTH SCREWS BEFORE USE. ASEGURE LA MENSULA DEBIDAMENTE CON AMBOS TORNILLOS ANTES DE PONER EN MARCHA LA HERRAMIENTA. BIEN FIXER LE SUPPORT À LA CLAVE DES DEUX VES AVANT UTILISATION.

DWS782 12" (305mm) DOUBLE BEVEL SLIDING COMPOUND MITER SAW. SER.

WARNING/ADVERTENCIA/AVERTISSEMENT FOR YOUR OWN SAFETY READ INSTRUCTION MANUAL BEFORE OPERATING MITER SAW. KEEP HANDS OUT OF PATH OF SAW BLADE. DO NOT OPERATE SAW WITHOUT GUARDS IN PLACE. CHECK LOWER GUARD FOR PROPER CLOSING BEFORE EACH USE. ALWAYS TESTER ADJUSTMENT BEFORE USE. DO NOT PERFORM ANY OPERATIONS FREQUENTLY. NEVER REACH IN BACK OF SAW BLADE. NEVER CROSS ARMS IN FRONT OF BLADE. TURN OFF TOOL AND WAIT FOR SAW BLADE TO STOP BEFORE MAKING NONPRESSURE CHANGES SETTINGS OR MOVING HANDS. DISCONNECT POWER BEFORE CHANGING BLADE OR SERVICING. TO REDUCE THE RISK OF INJURY, RETURN CHARGED TO THE FULL BEAM POSITION AFTER EACH CROSSCUT OPERATION. ALWAYS WEAR PROTECTIVE GEAR.

ADVERTENCIA PARA SU PROPIA PROTECCIÓN, POR FAVOR LEA DETENIDAMENTE EL MANUAL DE INSTRUCCIONES ANTES DE PONER EN MARCHA LA SIERRA DE INGLETE. MANTENGA LAS MANOS FUERA DEL CAMINO DE LA HOJA. NO HAGA FUNCIONAR LA SIERRA SIN ANTES HABER INSTALADO LAS CUBIERTAS. ASEGURESE QUE LA CUANCA INFERIOR SE ENCUENTRE EN LA POSICIÓN DE CERRAR ANTES DE CADA OPERACIÓN. NUNCA APUNTE LAS PUNTERAS DE AJUSTE ANTES DE ADOPTAR LA HERRAMIENTA. JAMÁS REALICE OPERACIONES DE MANOS LIBRES. JAMÁS ALCANCE POR DETRÁS DE LA HOJA. JAMÁS CRUCE LOS BRAZOS EN FRENTE DE LA HOJA. APAGUE LA HERRAMIENTA Y ESPERE QUE LA HOJA SE DETENGA POR COMPLETO ANTES DE RETORNAR LA PIEZA DE TRABAJO. ANTES DE AJUSTAR LA SIERRA O ANTES DE MOVER LAS MANOS, DESCONECTE LA HERRAMIENTA ANTES DE PRESTARLE MANTENIMIENTO O ANTES DE CAMBIAR LA HOJA. A FIN DE REDUCIR EL RIESGO DE LESIONES PERSONALES, REGrese EL CARGO COMPLETAMENTE PARA ATRÁS DESPUÉS DE CADA CORTE TRANSVERSAL. USE EL SUPORTE COMO ÚNICO PUNTO DE ENFERME LAS ACCIONES.

AVERTISSEMENT POUR MESURE DE SÉCURITÉ, LIRE LE GUIDE D'UTILISATION AVANT DE SE SERVIR DE LA SCIE À ONGLET. ÉLOIGNER LES MAINS DE LA TRAJECTOIRE DE LA LAME. NE PAS UTILISER LA SCIE SANS LES PROTÉCTEURS EN PLACE. VÉRIFIER LA FERMETURE APPROPRIÉE DU PROTÉCTEUR INFERIEUR AVANT CHAQUE UTILISATION. TOUJOURS S'OPPOSER LES DOIGTS VERS L'ARRIÈRE AVANT CHAQUE VERIFICATION. NE PAS EFFECTUER DE TRAVAIL À MAIN LIBRE. NE JAMAIS S'ÉTENDRE VERS L'ARRIÈRE DE LA LAME DE LA SCIE. METTRE COUTRE VOS TENDRE ET ATTENDRE L'IMMOBILISATION COMPLÈTE DE LA LAME AVANT DE DÉPLACER LA PIÈCE À TRAVAIL. AVANT D'AJUSTER LES RÉGLAGES DE LA SCIE OU DE DÉPLACER LES MAINS, DÉBRANCHER L'OUTIL. AVANT DE REMPLACER LA LAME OU DE FAIRE L'ENTRETIEN DE LA SCIE, ARRÊTER L'APPAREIL ET RETOURNER LE CHARGÉ À SA POSITION ARRRIÈRE COMPLÈTE APRES CHAQUE COUPE TRANSVERSALE. S'APPUIER SUR LE PORTANT COMME SEUL POINT D'APPUI POUR LES ACCIONS.

DEWALT INDUSTRIAL TOOL CO. DAYTON, OH, 45424 USA
 FOR SERVICE INFORMATION, CALL 1-800-4-DEWALT www.DEWALT.com

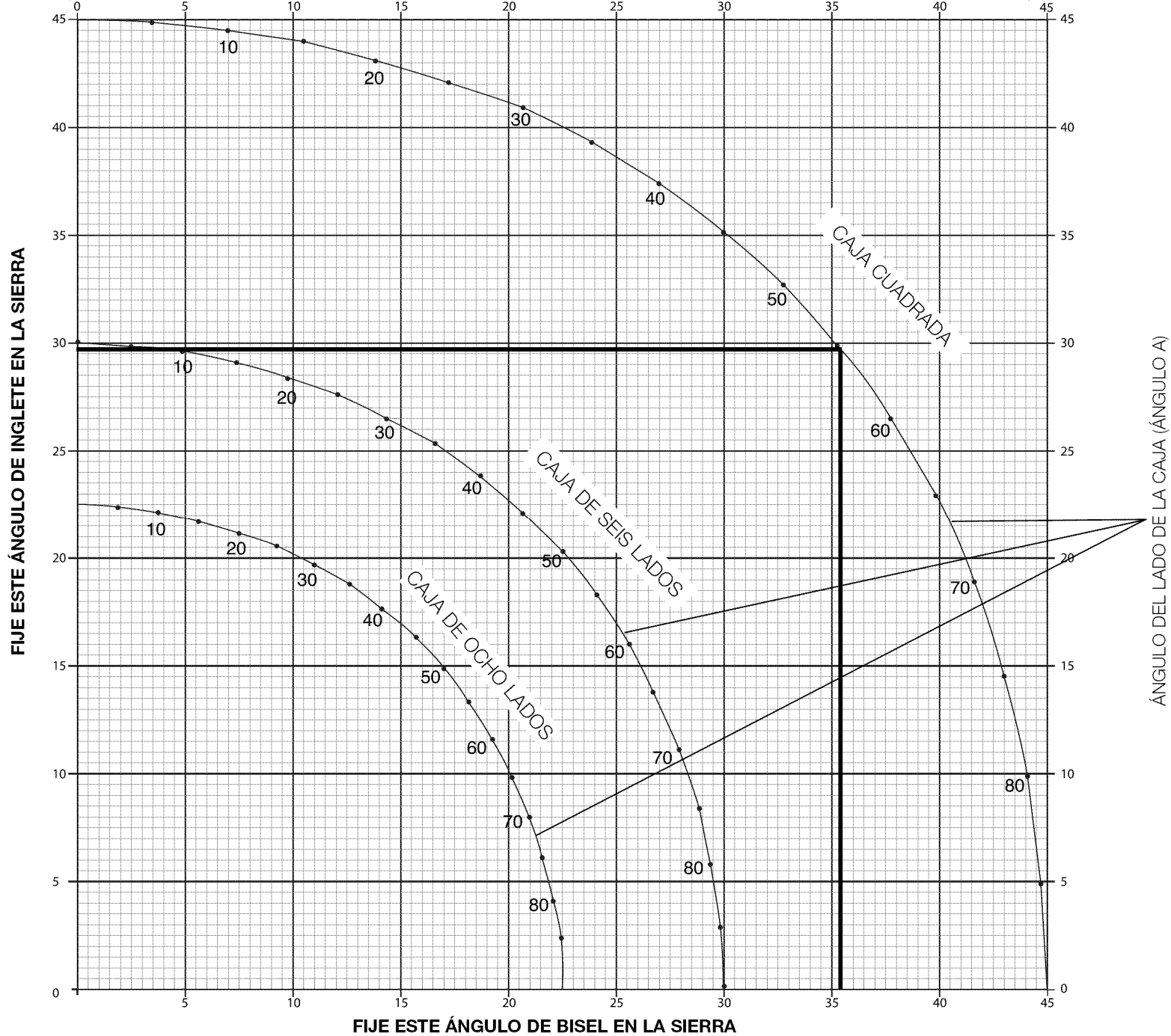
Español

Guía para solucionar problemas
ASEGÚRESE DE SEGUIR LAS REGLAS E INSTRUCCIONES DE SEGURIDAD

PROBLEMA	¿QUÉ SUCEDE?	QUÉ HACER...
La sierra no se enciende	<ol style="list-style-type: none"> 1. La sierra no está enchufada 2. Fusible quemado o interruptor automático activado 3. Cable dañado 4. Cepillos gastados 	<ol style="list-style-type: none"> 1. Enchufe la sierra. 2. Reemplace el fusible o reinicie el interruptor automático. 3. Haga cambiar el cable por el centro de mantenimiento autorizado. 4. Haga reemplazar los cepillos por el centro de mantenimiento autorizado o reemplácelos usted mismo como se indica en Cepillos.
La sierra realiza cortes no satisfactorios	<ol style="list-style-type: none"> 1. Hoja sin filo 2. Hoja montada al revés 3. Depósitos de goma o grumos de resina sobre la hoja 4. Hoja incorrecta para el trabajo que se realiza 	<ol style="list-style-type: none"> 1. Reemplace la hoja. Consulte Cambio o instalación de una hoja de sierra nueva. 2. Vire la hoja. Consulte Cambio o instalación de una hoja de sierra nueva. 3. Retire la hoja y límpiela con lana de acero gruesa y trementina, o limpiador de hornos caseros. 4. Cambie el tipo de hoja. Consulte Hojas de sierra en Accesorios opcionales.
La hoja no alcanza velocidad	<ol style="list-style-type: none"> 1. Cable prolongador demasiado liviano o demasiado largo 2. Baja corriente en el hogar 	<ol style="list-style-type: none"> 1. Reemplácelo por un cable de tamaño adecuado. Consulte las Calibre mínimo para juegos de cables en Instrucciones de seguridad importantes. 2. Comuníquese con la empresa de energía eléctrica.
La máquina vibra excesivamente	<ol style="list-style-type: none"> 1. La sierra no está montada firmemente en el soporte o banco de trabajo 2. El soporte o el banco están sobre un piso desparejo 3. Hoja de sierra dañada 	<ol style="list-style-type: none"> 1. Apriete todos los tornillos de montaje. Consulte Montaje en el banco de trabajo. 2. Reubique sobre una superficie de nivel plano. Consulte Familiarizarse con la herramienta. 3. Reemplace la hoja. Consulte Cambio o instalación de una hoja de sierra nueva.
No realiza cortes de inglete precisos	<ol style="list-style-type: none"> 1. La escala de inglete no está correctamente regulada 2. La hoja no está en escuadra con el reborde 3. La hoja no está perpendicular a la mesa 4. La pieza de trabajo se mueve 	<ol style="list-style-type: none"> 1. Verifique y regule. Consulte las Ajuste de la escala de inglete en Ajustes. 2. Verifique y regule. Consulte las Ajuste de la escala de inglete en Ajustes. 3. Verifique y ajuste el reborde. Consulte las Ajuste de reborde en Ajustes. 4. Sujete la pieza de trabajo al reborde o engome un papel de lija de 120 al reborde con cemento para caucho.
El material muerde la hoja	<ol style="list-style-type: none"> 1. Cortes de material curvado 	<ol style="list-style-type: none"> 1. Consulte las Material curvado en Cortes especiales.

TABLA 1: CORTE DE INGLETE COMPUESTO

(UBIQUE LA MADERA CON EL LADO PLANO ANCHO SOBRE LA MESA Y EL BORDE ANGOSTO CONTRA EL REBORDE)



DEWALT Industrial Tool Co., 701 East Joppa Road, Baltimore, MD 21286
(AUG13) Part No. N323659 DWS782 Copyright © 2013 DEWALT

The following are trademarks for one or more DEWALT power tools: the yellow and black color scheme; the “D” shaped air intake grill; the array of pyramids on the handgrip; the kit box configuration; and the array of lozenge-shaped humps on the surface of the tool.