

FRIGIDAIRE

Use & Care

TABLE OF CONTENTS

Important Safety Instructions.....	2	Features	8
Installation	4	Care and Cleaning	9
Door Reversal Instructions	4	Before you Call.....	10
Energy Saving Tips.....	7	Major Appliance Warranty	12
Temperature Controls	7		

Read and Save These Instructions

This Owner's Guide provides specific operating instructions for your model. Use your refrigerator only as instructed in this guide. These instructions are not meant to cover every possible condition and situation that may occur. Common sense and caution must be practiced when installing, operating, and maintaining any appliance.


Record Your Model and Serial Numbers

Record the model and serial numbers in the space provided below. The serial plate is located on the upper left wall inside the refrigerator.


Model Number: _____

Serial Number: _____

Purchase Date: _____




DANGER




DANGER Risk of fire or explosion. Flammable refrigerant used. Do not use mechanical devices to defrost refrigerator. Do not puncture refrigerant tubing.

DANGER Risk of fire or explosion. Flammable refrigerant used. To be repaired only by trained service personnel. Do not puncture refrigerant tubing.



CAUTION



CAUTION Risk of fire or explosion. Flammable refrigerant used. Consult repair manual/ owner's guide before attempting to service this product. All safety precautions must be followed.


CAUTION Risk of fire or explosion. Dispose of property in accordance with federal or local regulations. Flammable refrigerant used.

CAUTION- Risk of fire or explosion due to puncture of refrigerant tubing ; Follow handling instructions carefully. Flammable refrigerant used.

WARNING

Please read all instructions before using this refrigerator.

Definitions

 This is the safety alert symbol. It is used to alert you to potential personal injury hazards. Obey all safety messages that follow this symbol to avoid possible injury or death.

DANGER

DANGER indicates an imminently hazardous situation which, if not avoided, will result in death or serious injury.

WARNING

WARNING indicates a potentially hazardous situation which, if not avoided, could result in death or serious injury.

CAUTION

CAUTION indicates a potentially hazardous situation which, if not avoided, may result in minor or moderate injury.

IMPORTANT

IMPORTANT indicates installation, operation or maintenance information which is important but not hazard-related.

WARNING

For Your Safety

Do not store or use gasoline, or other flammable vapors and liquids in the vicinity of this or any other appliance. Read product labels for flammability and other warnings.

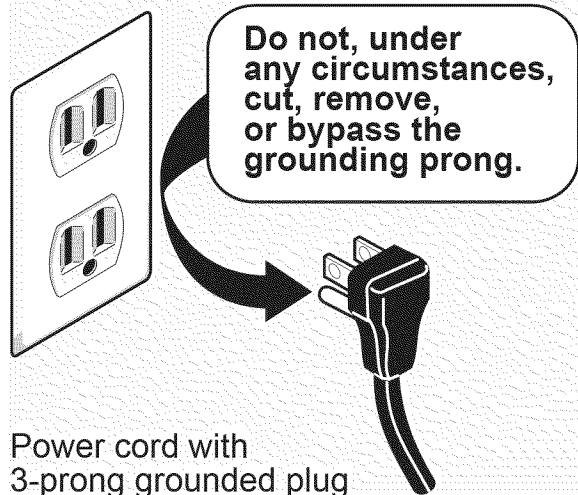
IMPORTANT SAFETY INSTRUCTIONS

WARNING

Electrical Information

- **The refrigerator must be plugged into its own dedicated 115 Volt, 60 Hz., 15 Amp, AC only electrical outlet.** The power cord of the appliance is equipped with a three-prong grounding plug for your protection against electrical shock hazards. It must be plugged directly into a properly grounded three prong receptacle. The receptacle must be installed in accordance with local codes and ordinances. Consult a qualified electrician. Avoid connecting refrigerator to a Ground Fault Interrupter (GFI) circuit. **Do not use an extension cord or adapter plug.**
- If the power cord is damaged, it should be replaced by an authorized service technician to prevent any risk.
- Never unplug the refrigerator by pulling on the power cord. Always grip the plug firmly, and pull straight out from the receptacle to prevent damaging the power cord.
- Unplug the refrigerator before cleaning and before replacing a light bulb to avoid electrical shock.
- Performance may be affected if the voltage varies by 10% or more. Operating the refrigerator with insufficient power can damage the compressor. Such damage is not covered under your warranty.
- Do not plug the unit into an electrical outlet controlled by a wall switch or pull cord to prevent the refrigerator from being turned off accidentally.

Grounding type
wall receptacle



WARNING

Child Safety

- Destroy carton, plastic bags, and any exterior wrapping material immediately after the refrigerator is unpacked. Children should never use these items to play. Cartons covered with rugs, bedspreads, plastic sheets or stretch wrap may become airtight chambers, and can quickly cause suffocation.
- Remove all staples from the carton. Staples can cause severe cuts, and destroy finishes if they come in contact with other appliances or furniture.
- An empty, discarded refrigerator is a very dangerous attraction to children.
- Remove the door(s) of any appliance that is not in use, even if it is being discarded.

WARNING

Proper Disposal of your Refrigerator

Risk of child entrapment

Child entrapment and suffocation are not problems of the past. Junked or abandoned refrigerators are still dangerous – even if they will sit for “just a few days”. If you are getting rid of your old refrigerator, please follow the instructions below to help prevent accidents.

We strongly encourage responsible appliance recycling/disposal methods. Check with your utility company or visit www.recyclemyoldfridge.com for more information on recycling your old refrigerator.

Before you throw away your old refrigerator:

- Remove doors.
- Leave shelves in place so children may not easily climb inside.
- Have refrigerant removed by a qualified service technician.

CAUTION

To avoid personal injury or property damage, handle tempered glass shelves carefully. Shelves may break suddenly if nicked, scratched, or exposed to sudden temperature change. Allow the glass shelves to stabilize to room temperature before cleaning. Do not wash in dishwasher.

INSTALLATION

This Use & Care Guide provides general operating instructions for your model. Use the refrigerator only as instructed in this Use & Care Guide. **Before starting the refrigerator, follow these important first steps.**

Location

- Choose a place that is near a grounded electrical outlet. Do Not use an extension cord or an adapter plug.
- For the most efficient operation, the refrigerator should be located where surrounding temperatures will not drop below 10° F (-12° C) or exceed 110° F (43° C). The Freeze Control Feature is designed to automatically maintain the selected interior refrigerator temperature within these boundaries.
- Allow space around the unit for good air circulation. Leave a 2 inch (50 mm) space on the back, 1 inch (20 mm) on the sides, and 12 inches (300 mm) above the refrigerator for adequate circulation.

NOTE

The exterior walls of the refrigerator may become quite warm as the compressor works to transfer heat from the inside. Temperatures as much as 30° F warmer than room temperature can be expected. For this reason it is particularly important in hotter climates to allow enough space for air circulation around your refrigerator.

Leveling

The refrigerator must have all bottom corners resting firmly on solid floor. The floor must be strong enough to support a fully loaded refrigerator. NOTE: It is very important for your refrigerator to be level in order to function properly. If the refrigerator is not leveled during installation, the door may be misaligned and not close or seal properly, causing cooling, frost, or moisture problems.

To Level Your Refrigerator:

After removing all interior and exterior packing materials, crating screws and wood base, use a carpenter's level to level the refrigerator from front-to-back. Adjust the plastic leveling feet in front, ½ bubble higher, so that the door closes easily when left halfway open.

DOOR REVERSAL INSTRUCTIONS

NOTE

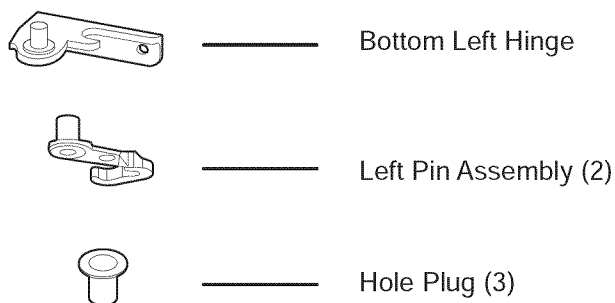
The direction in which your refrigerator doors open (door swing) can be reversed, from left to right or right to left, by moving the door hinges from one side to the other. Reversing the door swing should be performed by a qualified person.

IMPORTANT

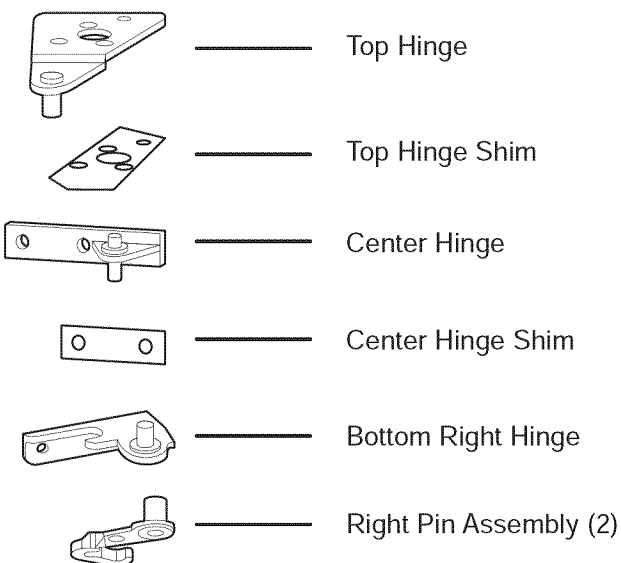
Before you begin, unplug the electrical power cord from the wall outlet. Remove any food from door shelves.

You should find a hinge kit packed inside your unit with the following parts that will be needed to reverse the doors:

Parts included with Hinge Kit (packed inside unit)



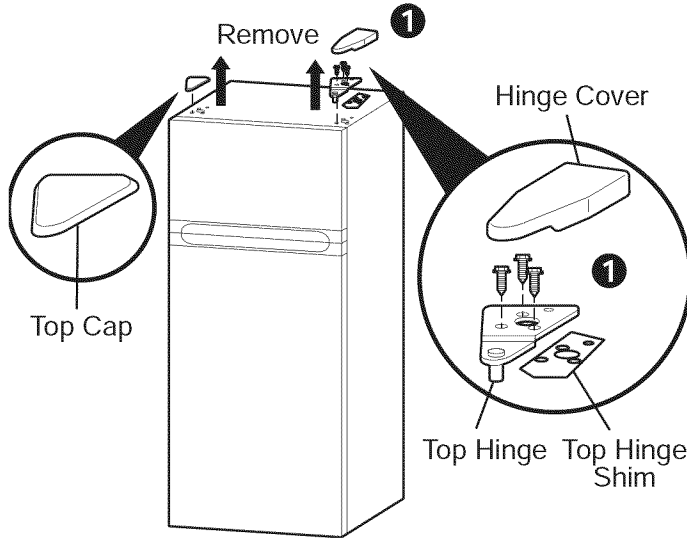
Door Parts



DOOR REVERSAL INSTRUCTIONS

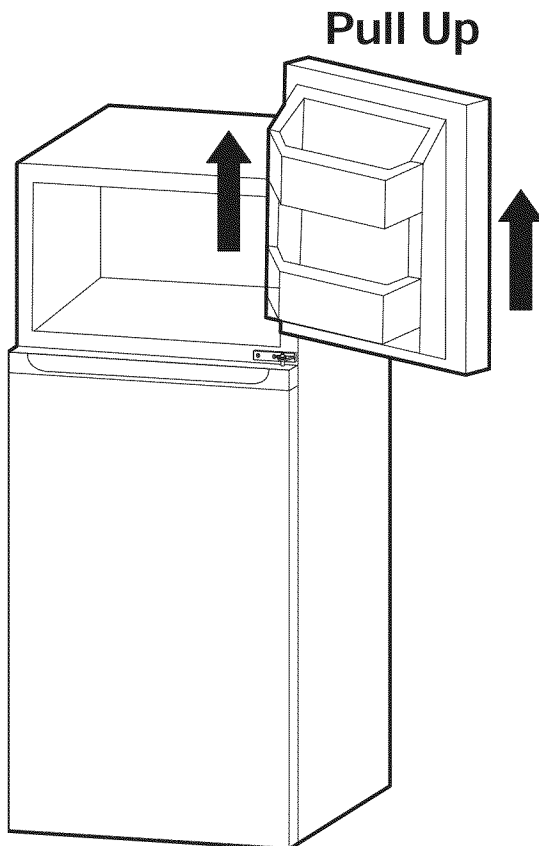
Step 1

Remove top hinge cover. Unscrew and remove the top hinge and top hinge shim. Keep the screws so they can be used on the opposite side.



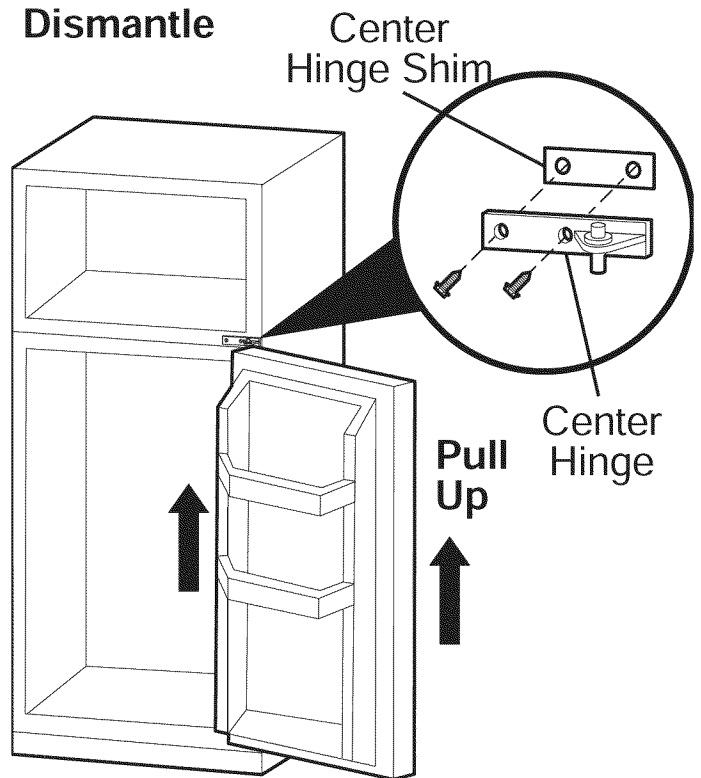
Step 2

Lift the freezer door up and away from the appliance.



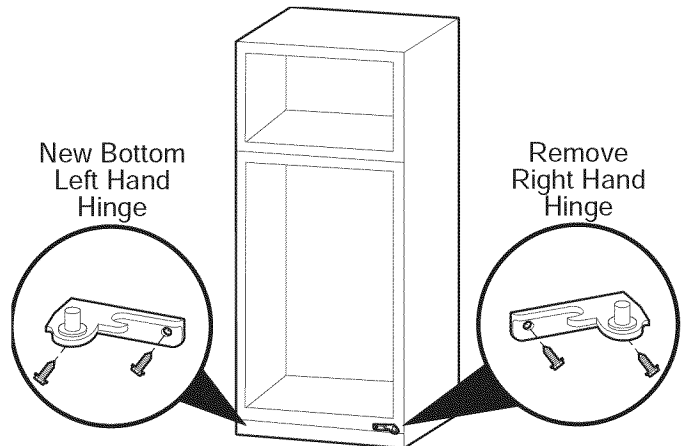
Step 3

Unscrew and remove the middle hinge and middle hinge shim. Save the screws. Lift the refrigerator door up and away from the appliance.



Step 4

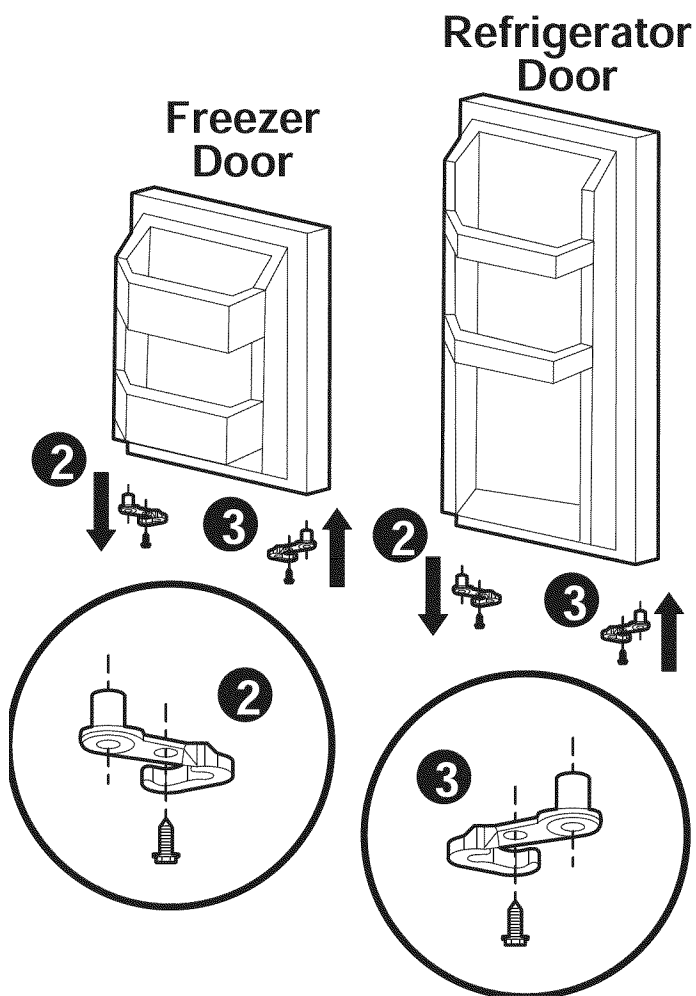
Unscrew and remove the bottom right hinge. Save the screws. Remove screw covers from opposite corner (left) and cover exposed holes (right). Attach new bottom left hinge with the screws removed from the opposite side.



DOOR REVERSAL INSTRUCTIONS

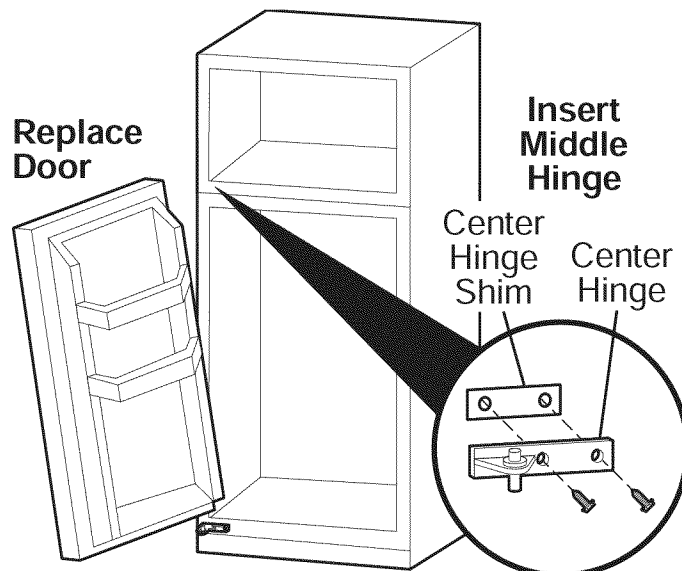
Step 5

Remove right pin assemblies from the bottom of the freezer and refrigerator doors. On the opposite side, attach the replacement pin assemblies (located in the plastic bag with the Use and Care Manual) with a screwdriver. Note: You must re-use the screws from the pin assemblies that are removed in this step when attaching the new assemblies.



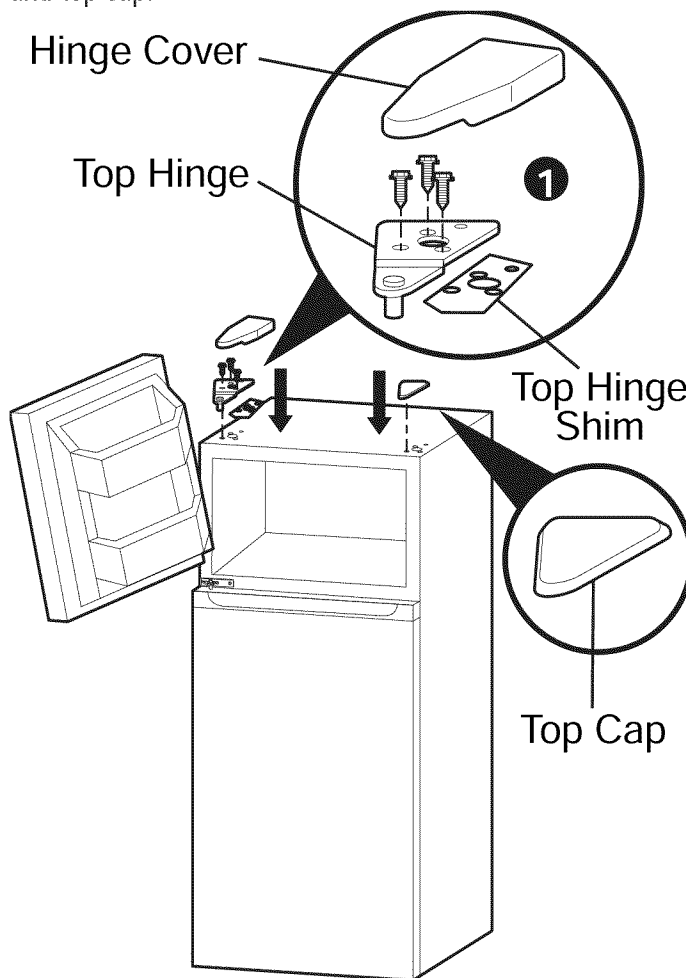
Step 6

Place the refrigerator door on the bottom left hinge. Ensure the door is aligned horizontally and vertically. Attach middle hinge to top (left) of refrigerator door, attach shim to the back of hinge, align with holes and affix to middle beam with reserved screws. Fasten with screwdriver (not included).



Step 7

Place the freezer door on the middle hinge. Ensure that the door is aligned horizontally and vertically, and that the gasket seals on all sides before attaching the top hinge. Attach the top hinge and shim and replace the hinge cover and top cap.



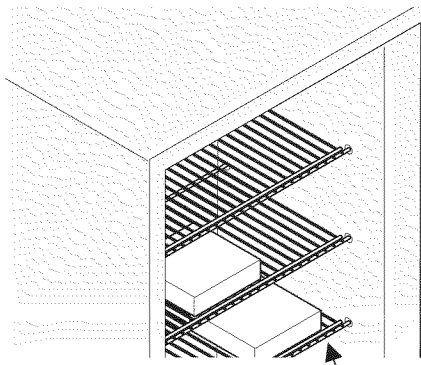
Cleaning

- Wash any removable parts of the refrigerator interior, and exterior with mild detergent and warm water. Wipe dry. Do not use harsh cleaners on these surfaces.
- Do not use razor blades or other sharp instruments, which can scratch the appliance surface when removing adhesive labels. Any glue left from the tape can be removed with a mixture of warm water and mild detergent, or touch the residue with the sticky side of tape already removed. Do not remove the serial plate.



CAUTION

To allow door to close and seal properly, **DO NOT** let food packages extend past the front of shelves.



- Install the refrigerator in the coolest part of a dry and ventilated room, out of direct sunlight and away from heating ducts or registers. Do not place the refrigerator next to heat-producing appliances such as a range, oven or dishwasher.
- Level the refrigerator so the doors close tightly.
- Do not overcrowd the refrigerator or block cold air vents. Doing so causes the refrigerator to run longer and use more energy. Shelves should not be lined with aluminum foil, wax paper or paper toweling. Liners interfere with cold air circulation, making the refrigerator less efficient.
- Wipe bottles and containers dry before placing them in the refrigerator. This cuts down on moisture build-up inside the unit.
- Organize the refrigerator to reduce door openings. Remove as many items as needed at one time and close the door as soon as possible.

Cool Down Period

For best performance, allow four hours for the refrigerator to cool down completely. The refrigerator will run continuously for the first several hours.

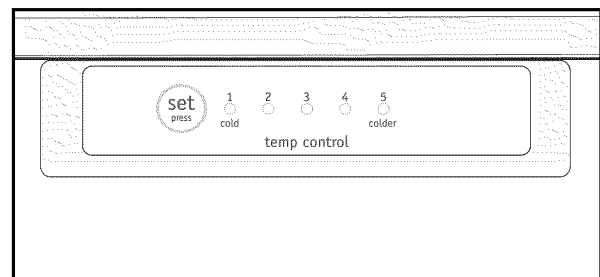
Temperature Control

The temperature control is located inside the refrigerator and in the freezer compartment on some models. The temperature is factory preset to provide satisfactory food storage temperatures. However, the temperature control is adjustable to provide a range of temperatures for your personal satisfaction.

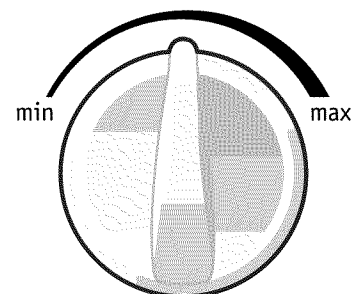
To adjust the temperature colder in the refrigerator compartment, press the SET button on the control panel so that the display light shifts to a higher number. "1" is the warmest setting and "5" is the coldest. To adjust the temperature colder in the freezer compartment, move the Freezer Control knob towards the maximum setting. After each movement of either control, allow 24 hours for the unit to adjust. If the unit is still not cold enough, repeat until desired temperature is achieved.

To adjust the temperature warmer in the refrigerator compartment, press the SET button on the control panel so that the display light shifts to a lower number. To adjust the temperature warmer in the freezer compartment, move the Freezer Control knob towards the minimum setting. After each movement of either control, allow 24 hours for the unit to adjust. If the unit is still not warm enough, repeat until desired temperature is achieved.

If more than one of the display windows remain lit at the same time, call the 1-800 number on the cover of this manual for service since this indicates a fault with the control system.

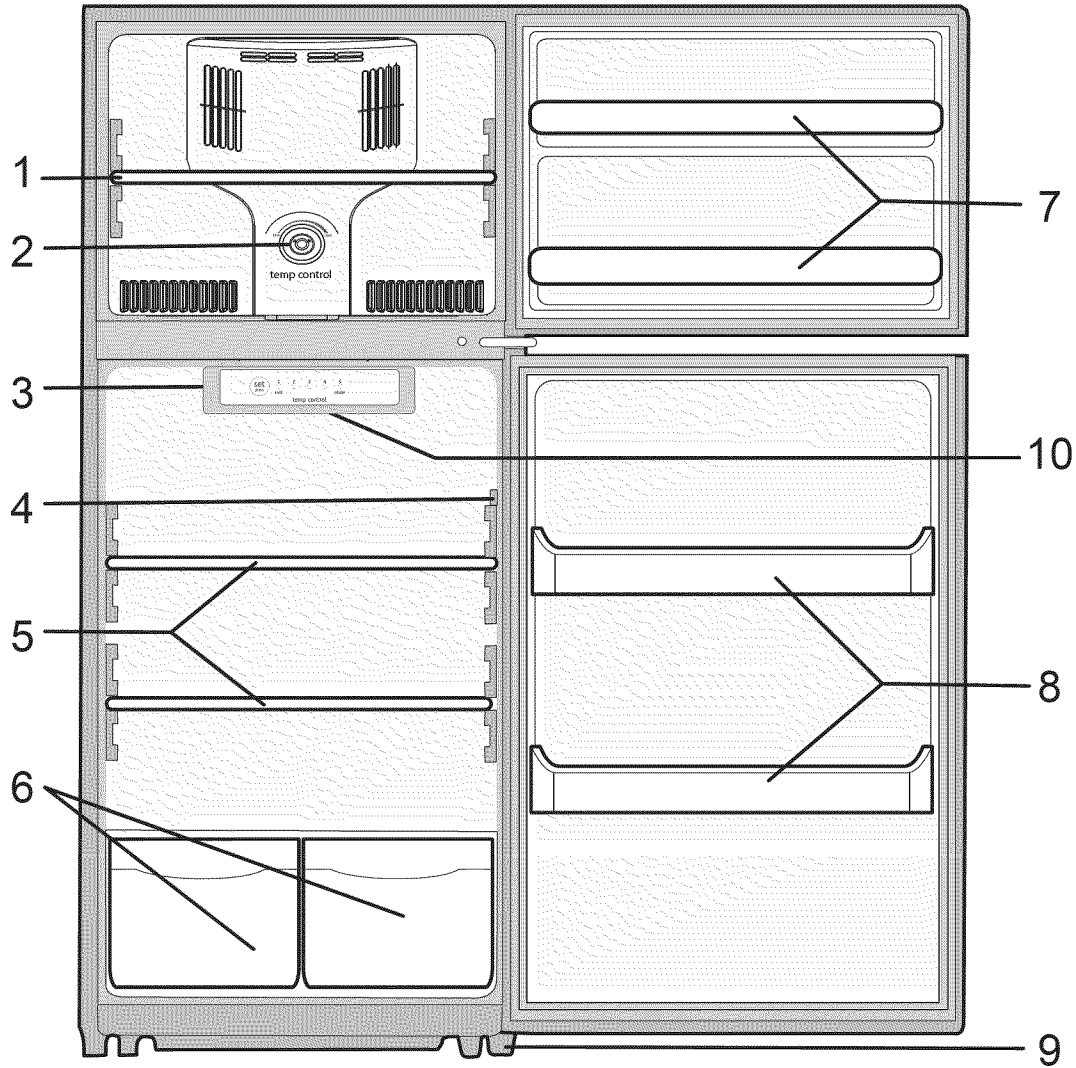


Temperature Control Panel



Freezer Control

FEATURES



1	Freezer Shelf	6	Crispers
2	Freezer Control	7	Freezer Door Bins
3	Refrigerator Control	8	Full-width Door Bins
4	Lamp Switch	9	Adjustable Front Feet
5	Glass Shelves	10	Interior Light (located in center of control housing)

Adjustable Interior Shelves

Multi-position adjustable interior shelves can be moved to any position for larger or smaller bottles. The shipping spacers that stabilize the shelves for shipping should be removed and discarded.

Slide-Out Crisper (some models)

A Slide-Out Basket (some models) located at the bottom of the refrigerator, provides separate storage space for items that are difficult to store on refrigerator shelves. To remove the bin, pull out and lift up.

Interior Light (some models)

The light comes on automatically when the door is opened. To replace the light bulb, turn the temperature control to OFF and unplug the electrical cord. Replace the old bulb with a bulb of the same wattage (15W max).

Automatic Defrost

This model is equipped with a defrost heater which is designed to cycle on automatically as needed.

Cleaning the Inside

Wash inside surfaces of the refrigerator with a solution of two tablespoons of baking soda in one quart (1.136 liters) warm water. Rinse and dry. Wring excess water out of the sponge or cloth when cleaning in the area of the controls, or any electrical parts.

Wash the removable parts with the baking soda solution mentioned above, or mild detergent and warm water. Rinse and dry. Never use metallic scouring pads, brushes, abrasive cleaners, or alkaline solutions on any surface. Do not wash removable parts in a dishwasher.

Cleaning the Outside

Wash the cabinet with warm water and mild liquid detergent. Rinse well and wipe dry with a clean soft cloth.



WARNING

If leaving the refrigerator door open while on vacation, make certain that children cannot get into the refrigerator and become entrapped.

Vacation and Moving Tips

Vacations:

If the refrigerator will not be used for several months:

- Remove all food and unplug the power cord.
- Clean and dry the interior thoroughly.
- Leave the refrigerator door open slightly, blocking it open if necessary, to prevent odor and mold growth.

Moving:

When moving the refrigerator, follow these guidelines to prevent damage:

- Disconnect the power cord plug from the wall outlet.
- Remove food and clean the refrigerator.
- Secure all loose items by taping them securely in place to prevent damage.
- In a moving vehicle, secure the refrigerator in an upright position to prevent movement. Also, protect the outside of the refrigerator with a blanket or similar item.

BEFORE YOU CALL

1-800-944-9044 (United States)

1-800-265-8352 (Canada)

Visit our web site at
www.frigidaire.com.

PROBLEM	CAUSE	CORRECTION
REFRIGERATOR OPERATION		
Refrigerator does not run.	<ul style="list-style-type: none"> Refrigerator is plugged into a circuit that has a ground fault interrupt. Temperature control is in the OFF position. Refrigerator may not be plugged in, or plug may be loose. House fuse blown or tripped circuit breaker. Power outage. 	<ul style="list-style-type: none"> Use another circuit. If you are unsure about the outlet, have it checked by a certified technician. See Temperature Controls section. Ensure plug is tightly pushed into outlet. Check/replace fuse with a 15 amp time-delay fuse. Reset circuit breaker. Check house lights. Call local Electric Company.
Refrigerator runs too much or too long.	<ul style="list-style-type: none"> Room or outside weather is hot. Refrigerator has recently been disconnected for a period of time. Large amounts of warm or hot food has been stored recently. Door is opened too frequently or too long. Refrigerator door may be slightly open. Temperature control is set too low. Refrigerator gasket is dirty, worn, cracked, or poorly fitted. 	<ul style="list-style-type: none"> It's normal for the Refrigerator to work harder under these conditions. It takes four hours for the Refrigerator to cool down completely. Warm food will cause Refrigerator to run more until the desired temperature is reached. Warm air entering the Refrigerator causes it to run more. Open doors less often. See "DOOR PROBLEMS" section. Turn control knob to a warmer setting. Allow several hours for the temperature to stabilize. Clean or change gasket. Leaks in the door seal will cause Refrigerator to run longer in order to maintain desired temperature.
Interior Refrigerator temperature is too cold.	<ul style="list-style-type: none"> Temperature control is set too low. 	<ul style="list-style-type: none"> Turn the control to a warmer setting. Allow several hours for the temperature to stabilize.
Interior Refrigerator temperature is too warm.	<ul style="list-style-type: none"> Temperature control is set too warm. Door is opened too frequently or too long. Door may not be seating properly. Large amounts of warm or hot food has been stored recently. Refrigerator has recently been disconnected for a period of time. 	<ul style="list-style-type: none"> Turn control to a colder setting. Allow several hours for the temperature to stabilize. Warm air entering the Refrigerator causes it to run more. Open doors less often. See "DOOR PROBLEMS" section. Warm food will cause Refrigerator to run more until the desired temperature is reached. It takes four hours for the Refrigerator to cool down completely.
Refrigerator external surface temperature is warm.	<ul style="list-style-type: none"> The external Refrigerator walls can be as much as 30° F warmer than room temperature. 	<ul style="list-style-type: none"> This is normal while the compressor works to transfer heat from inside the Refrigerator cabinet.
SOUND AND NOISE		
Louder sound levels when Refrigerator is on.	<ul style="list-style-type: none"> Modern refrigerators have increased storage capacity and more stable temperatures. They require a high efficiency compressor. 	<ul style="list-style-type: none"> This is normal. When the surrounding noise level is low, you might hear the compressor running while it cools the interior.

BEFORE YOU CALL (continued)

PROBLEM	CAUSE	CORRECTION
SOUND AND NOISE (continued)		
Longer sound levels when compressor comes on.	<ul style="list-style-type: none"> Refrigerator operates at higher pressures during the start of the ON cycle. 	<ul style="list-style-type: none"> This is normal. Sound will level off or disappear as Refrigerator continues to run.
Fan runs when room temperature is below 45° F.	<ul style="list-style-type: none"> Exterior thermostat has activated the heater or fan. 	<ul style="list-style-type: none"> This is normal.
Popping or cracking sound when compressor comes on.	<ul style="list-style-type: none"> Metal parts undergo expansion and contraction, as in hot water pipes. 	<ul style="list-style-type: none"> This is normal. Sound will level off or disappear as Refrigerator continues to run.
Boiling or gurgling sound, like water boiling.	<ul style="list-style-type: none"> Refrigerant (used to cool Refrigerator) is circulating throughout the system. 	<ul style="list-style-type: none"> This is normal.
Vibrating or rattling noise.	<ul style="list-style-type: none"> Refrigerator is not level. It rocks on the floor when it is moved slightly. 	<ul style="list-style-type: none"> Level the unit. Refer to leveling instructions in the "Installation" section.
Snapping sound.	<ul style="list-style-type: none"> Cold control turning the Refrigerator OFF and ON. 	<ul style="list-style-type: none"> This is normal.
WATER/MOISTURE/FROST INSIDE REFRIGERATOR		
Moisture forms on inside of Refrigerator walls.	<ul style="list-style-type: none"> Weather is hot and humid. Door may not be seating properly. Door is kept open too long, or opened too frequently. 	<ul style="list-style-type: none"> This is normal. See "DOOR PROBLEMS" section. Open the door less often.
WATER/MOISTURE/FROST OUTSIDE REFRIGERATOR		
Moisture forms on outside of Refrigerator.	<ul style="list-style-type: none"> Door may not be seating properly, causing the cold air from inside the refrigerator to meet warm moist air from outside. 	<ul style="list-style-type: none"> See "DOOR PROBLEMS" section.
ODOR IN REFRIGERATOR		
Odors in Refrigerator.	<ul style="list-style-type: none"> Interior needs to be cleaned. 	<ul style="list-style-type: none"> Clean interior with sponge, warm water, and baking soda.
DOOR PROBLEMS		
Door will not close.	<ul style="list-style-type: none"> Refrigerator is not level. It rocks on the floor when it is moved slightly. 	<ul style="list-style-type: none"> This condition may force the cabinet out of square and misalign the door. Refer to 'Leveling' in the "Installation" section.
LIGHT BULB IS NOT ON		
Light bulb is not on.	<ul style="list-style-type: none"> Light bulb is burnt out. No electric current is reaching the refrigerator. 	<ul style="list-style-type: none"> Follow instructions under "Interior Light" in the "FEATURES" section. See "Installation" section.

MAJOR APPLIANCE WARRANTY

Your appliance is covered by a one year limited warranty. For one year from your original date of purchase, Electrolux will pay all costs for repairing or replacing any parts of this appliance that prove to be defective in materials or workmanship when such appliance is installed, used and maintained in accordance with the provided instructions.

Exclusions **This warranty does not cover the following:**

1. Products with original serial numbers that have been removed, altered or cannot be readily determined.
2. Product that has been transferred from its original owner to another party or removed outside the USA or Canada.
3. Rust on the interior or exterior of the unit.
4. Products purchased "as-is" are not covered by this warranty.
5. Food loss due to any refrigerator or freezer failures.
6. Products used in a commercial setting.
7. Service calls which do not involve malfunction or defects in materials or workmanship, or for appliances not in ordinary household use or used other than in accordance with the provided instructions.
8. Service calls to correct the installation of your appliance or to instruct you how to use your appliance.
9. Expenses for making the appliance accessible for servicing, such as removal of trim, cupboards, shelves, etc., which are not a part of the appliance when it is shipped from the factory.
10. Service calls to repair or replace appliance light bulbs, air filters, water filters, other consumables, or knobs, handles, or other cosmetic parts.
11. Surcharges including, but not limited to, any after hour, weekend, or holiday service calls, tolls, ferry trip charges, or mileage expense for service calls to remote areas, including the state of Alaska.
12. Damages to the finish of appliance or home incurred during installation, including but not limited to floors, cabinets, walls, etc.
13. Damages caused by: services performed by unauthorized service companies; use of parts other than genuine Electrolux parts or parts obtained from persons other than authorized service companies; or external causes such as abuse, misuse, inadequate power supply, accidents, fires, or acts of God.

DISCLAIMER OF IMPLIED WARRANTIES; LIMITATION OF REMEDIES

CUSTOMER'S SOLE AND EXCLUSIVE REMEDY UNDER THIS LIMITED WARRANTY SHALL BE PRODUCT REPAIR OR REPLACEMENT AS PROVIDED HEREIN. CLAIMS BASED ON IMPLIED WARRANTIES, INCLUDING WARRANTIES OF MERCHANTABILITY OR FITNESS FOR A PARTICULAR PURPOSE, ARE LIMITED TO ONE YEAR OR THE SHORTEST PERIOD ALLOWED BY LAW, BUT NOT LESS THAN ONE YEAR. ELECTROLUX SHALL NOT BE LIABLE FOR CONSEQUENTIAL OR INCIDENTAL DAMAGES SUCH AS PROPERTY DAMAGE AND INCIDENTAL EXPENSES RESULTING FROM ANY BREACH OF THIS WRITTEN LIMITED WARRANTY OR ANY IMPLIED WARRANTY. SOME STATES AND PROVINCES DO NOT ALLOW THE EXCLUSION OR LIMITATION OF INCIDENTAL OR CONSEQUENTIAL DAMAGES, OR LIMITATIONS ON THE DURATION OF IMPLIED WARRANTIES, SO THESE LIMITATIONS OR EXCLUSIONS MAY NOT APPLY TO YOU. THIS WRITTEN WARRANTY GIVES YOU SPECIFIC LEGAL RIGHTS. YOU MAY ALSO HAVE OTHER RIGHTS THAT VARY FROM STATE TO STATE.

If You Need Service Keep your receipt, delivery slip, or some other appropriate payment record to establish the warranty period should service be required. If service is performed, it is in your best interest to obtain and keep all receipts. Service under this warranty must be obtained by contacting Electrolux at the addresses or phone numbers below.

This warranty only applies in the USA and Canada. In the USA, your appliance is warranted by Electrolux Major Appliances North America, a division of Electrolux Home Products, Inc. In Canada, your appliance is warranted by Electrolux Canada Corp. Electrolux authorizes no person to change or add to any obligations under this warranty. Obligations for service and parts under this warranty must be performed by Electrolux or an authorized service company. Product features or specifications as described or illustrated are subject to change without notice.

USA
1.800.944.9044
Frigidaire
10200 David Taylor Drive
Charlotte, NC 28262



Canada
1.800.265.8352
Electrolux Canada Corp.
5855 Terry Fox Way
Mississauga, Ontario, Canada
L5V 3E4

FRIGIDAIRE

uso y cuidado

ÍNDICE

Instrucciones importantes de seguridad.	2	Características	8
Instalación	4	Cuidado y limpieza	9
Door Reversal Instructions	4	Antes de solicitar servicio técnico	10
Consejos para el ahorro de energía	7	Garantía de los electrodomésticos grandes	12
Ajuste del control de temperatura	7		

INSTRUCCIONES IMPORTANTES DE SEGURIDAD

Lea y conserve estas instrucciones

Esta guía del propietario le brinda instrucciones específicas sobre el funcionamiento de su modelo. Use su refrigerador solamente como se indica en esta guía. Estas instrucciones no tienen por objeto cubrir todas las posibles condiciones y situaciones que se puedan presentar. Cuando se instale, opere o repare cualquier electrodoméstico, se debe tener cuidado y sentido común.

Anote los números de modelo y de serie

Anote los números de modelo y de serie en el espacio proporcionado a continuación. La placa de serie se encuentra en la parte superior de la pared izquierda en el interior del refrigerador.

Número de modelo: _____

Número de serie: _____

Fecha de compra: _____



PELIGRO



PELIGRO Peligro de incendio o explosión. Se ha utilizado un refrigerante inflamable. No utilice dispositivos mecánicos para descongelar el frigorífico. No perfore las tuberías del frigorífico.

PELIGRO Peligro de incendio o explosión. Se ha utilizado un refrigerante inflamable. Deberá repararlo únicamente personal de servicio cualificado. No perfore las tuberías del frigorífico.



ATENCIÓN



ATENCIÓN Riesgo de fuego o explosión. Se ha utilizado un refrigerante inflamable. Consulte el manual de reparación o la guía del usuario antes de revisar este producto. Siga todas las precauciones de seguridad.

ATENCIÓN Peligro de incendio o explosión debido al perforamiento de las tuberías del frigorífico. Siga las instrucciones de uso detenidamente. Se ha utilizado un refrigerante inflamable.

ATENCIÓN Peligro de incendio o explosión debido al perforamiento de las tuberías del frigorífico. Siga las instrucciones de uso detenidamente. Se ha utilizado un refrigerante inflamable.



ADVERTENCIA

Lea todas las instrucciones antes de usar este refrigerador.

Definiciones

! Este es el símbolo de alerta de seguridad. Se usa para alertar sobre peligros potenciales de lesiones personales. Obedezca todos los mensajes de seguridad que tengan este símbolo para evitar posibles lesiones personales o la muerte.



PELIGRO

PELIGRO indica una situación de peligro inminente que, si no se evita, podría causar lesiones graves o la muerte.



ADVERTENCIA

ADVERTENCIA indica una situación potencialmente peligrosa que, si no se evita, podría causar lesiones personales graves o la muerte.



PRECAUCIÓN

PRECAUCIÓN indica una situación potencialmente peligrosa que, si no se evita, podría causar lesiones personales leves o moderadas.



IMPORTANTE

IMPORTANTE indica información de instalación, funcionamiento o mantenimiento que es importante, pero que no está relacionada con la seguridad.

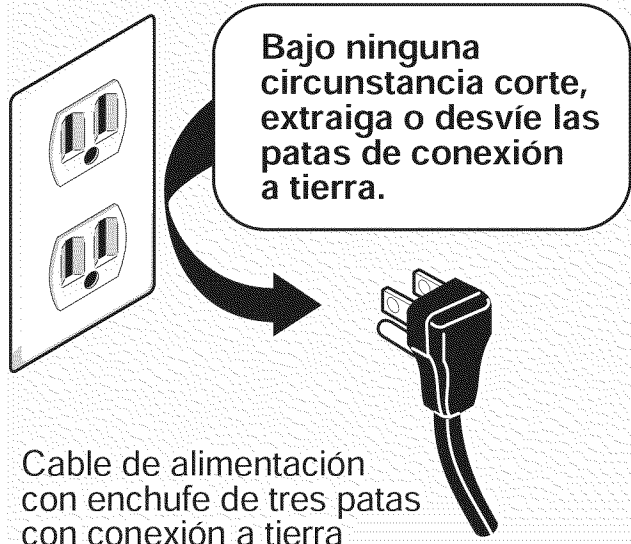
INSTRUCCIONES IMPORTANTES DE SEGURIDAD

ADVERTENCIA

Información eléctrica

- El refrigerador debe enchufarse en su propio y exclusivo tomacorriente eléctrico de 115 voltios, 60 Hz, 15 Amp, CA solamente. El cordón eléctrico está equipado con un enchufe de tres clavijas con conexión a tierra para su protección contra riesgos de choque eléctrico. Debe enchufarse directamente en un tomacorriente para tres clavijas debidamente puesto a tierra. El tomacorriente debe ser instalado de acuerdo con los códigos y reglamentos locales. Consulte a un electricista calificado. Evite conectar el refrigerador a un circuito de interruptor de falla de conexión a tierra (GFI). No use un cable de extensión ni un adaptador.
- Si se daña el cordón eléctrico, debe ser reemplazado por un técnico de servicio calificado, a fin de evitar cualquier riesgo.
- Nunca desenchufe el refrigerador tirando del cordón eléctrico. Siempre sujete firmemente el enchufe y tire en dirección recta hacia afuera del tomacorriente, para evitar dañar el cordón eléctrico.
- Desenchufe el refrigerador antes de la limpieza y antes de reemplazar una bombilla, para evitar sufrir un choque eléctrico.
- Una variación de voltaje de 10% o más puede afectar el rendimiento del refrigerador. Si el refrigerador funciona con energía insuficiente, se puede dañar el compresor. Este daño no está cubierto por la garantía.
- No enchufe el refrigerador a un tomacorriente controlado por un interruptor de pared o de cordón, pues el refrigerador puede apagarse accidentalmente.

Tomacorriente de pared con conexión a tierra



ADVERTENCIA

Seguridad de los niños

- Destruya la caja de cartón, las bolsas de plástico y cualquier material de empaque exterior inmediatamente después de que el refrigerador sea desempacado. Los niños nunca deben jugar con estos artículos. Las cajas de cartón cubiertas con alfombras, sábanas, láminas de plástico o envoltura de plástico pueden convertirse en cámaras herméticas y causar asfixia rápidamente.
- Retire todas las grapas de la caja de cartón. Las grapas pueden causar cortadas graves y dañar el acabado si entran en contacto con otros electrodomésticos o muebles.
- Las hieleras, refrigeradores y congeladores desechados son un atractivo peligroso para los niños.
- Retire la(s) puerta(s) de cualquier electrodoméstico que no esté en uso, incluso si se va a desechar.

ADVERTENCIA

Cómo desechar adecuadamente los refrigeradores

Riesgo de que los niños queden atrapados

Los riesgos de que los niños queden atrapados o sufran asfixia al jugar dentro de un refrigerador no son problemas del pasado. Los refrigeradores desechados o abandonados todavía son peligrosos, aun cuando se dejen abandonados "solo por algunos días". Si se va a deshacer de su refrigerador o congelador usado, siga las instrucciones a continuación para evitar accidentes. Recomendamos usar métodos de reciclaje y eliminación responsables. Consulte con su compañía eléctrica local o visite www.recyclemyoldfridge.com para obtener más información sobre cómo reciclar su refrigerador viejo.

Antes de deshacerse de su refrigerador/ congelador viejo:

- Retire las puertas.
- Deje las bandejas en su lugar, de modo que los niños no puedan entrar con facilidad en este espacio interior.
- Solicite a un técnico de servicio calificado que retire el refrigerante.

PRECAUCIÓN

Para evitar lesiones corporales o daños a la propiedad, manipule los estantes de vidrio templado con cuidado. Los estantes se pueden quebrar de repente si se ranuran, rayan o exponen a un cambio brusco de temperatura. Espere a que los estantes de vidrio se estabilicen a temperatura ambiente antes de limpiar. No los lave en un lavavajillas.

INSTALACIÓN

INSTRUCCIONES INVERSIÓN DE LA PUERTA

Esta Guía de uso y cuidado le proporciona instrucciones de funcionamiento generales sobre su modelo. Use su refrigerador solamente como en ella se indica. **Antes de encender el refrigerador, siga estos importantes primeros pasos.**

Ubicación

- Elija un lugar que esté cerca de un tomacorriente con conexión a tierra. No utilice un cordón de extensión ni un adaptador.
- Para un funcionamiento óptimo, instale el refrigerador en un lugar donde la temperatura ambiente no caiga por debajo de los 10° F (-12° C) o exceda los 110° F (43° C). La función Control de congelación está diseñada para mantener automáticamente la temperatura interior seleccionada del refrigerador dentro de estos límites.
- Deje espacio suficiente alrededor de la unidad para una circulación adecuada del aire. Deje un espacio de 2 pulgadas (50 mm) en la parte trasera, 1 pulgada (20 mm) en los costados y 12 pulgadas (300 mm) por encima del refrigerador para permitir la circulación adecuada del aire.

NOTA

Las paredes exteriores del refrigerador pueden calentarse a medida que el compresor trabaja para transferir el calor del interior. Pueden observarse temperaturas hasta 30° F (17° C) superiores a la temperatura ambiente. Por esta razón, es particularmente importante dejar suficiente espacio para que circule el aire alrededor del refrigerador, especialmente en climas cálidos.

Nivelación

Las cuatro esquinas inferiores del refrigerador deben estar apoyadas firmemente sobre piso estable. El piso debe ser suficientemente fuerte para sostener un refrigerador completamente cargado. **NOTA:** Es muy importante que su refrigerador esté nivelado para que funcione correctamente. Si no nivela el refrigerador durante su instalación, la puerta puede quedar mal alineada y no cerrar o sellar adecuadamente, lo que puede causar problemas de enfriamiento, escarcha o humedad.

Para nivelar su refrigerador:

Después de extraer todos los materiales de embalaje exterior e interior, después de desechar los tornillos y la base de madera, utilice un nivel de carpintero para nivelar el refrigerador desde adelante hacia atrás. Ajuste las patas de nivelación de plástico de adelante, ½ pestillo superior, de manera que la puerta cierre fácilmente cuando se deje abierta por la mitad.

NOTE

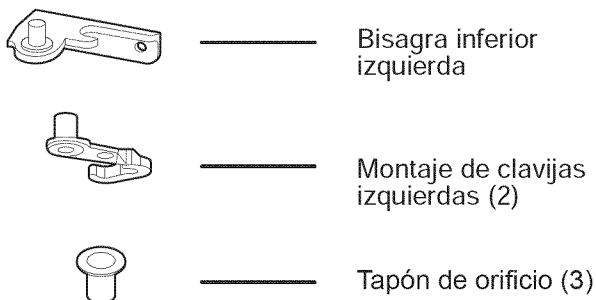
La dirección en la que se abre la puerta del refrigerador (giro de la puerta) puede ser invertida de izquierda a derecha o de derecha a izquierda cambiando las bisagras de la puerta de un lado al otro. La inversión de la dirección de apertura de la puerta debe ser realizada por una persona calificada.

IMPORTANT

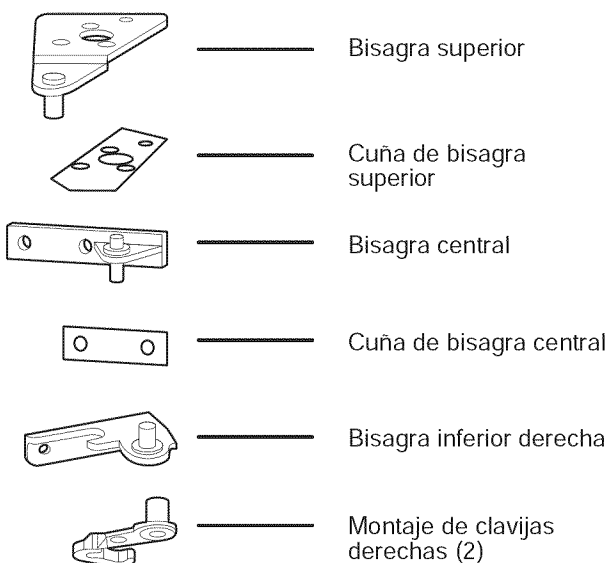
Antes de comenzar, gire el control de temperatura del refrigerador a la posición "0" y desenchufe el cordón eléctrico del tomacorriente. Retire los alimentos de los compartimientos de la puerta.

Dentro de su unidad encontrará un kit de bisagras con las siguientes piezas que será necesarias para invertir las puertas:

Piezas incluidas en el Kit de bisagras (dentro de la unidad)



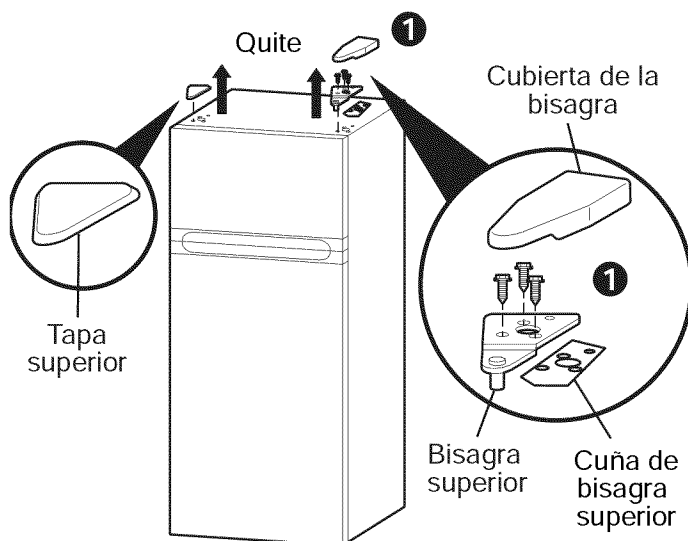
Piezas para puertas



INSTRUCCIONES INVERSIÓN DE LA PUERTA

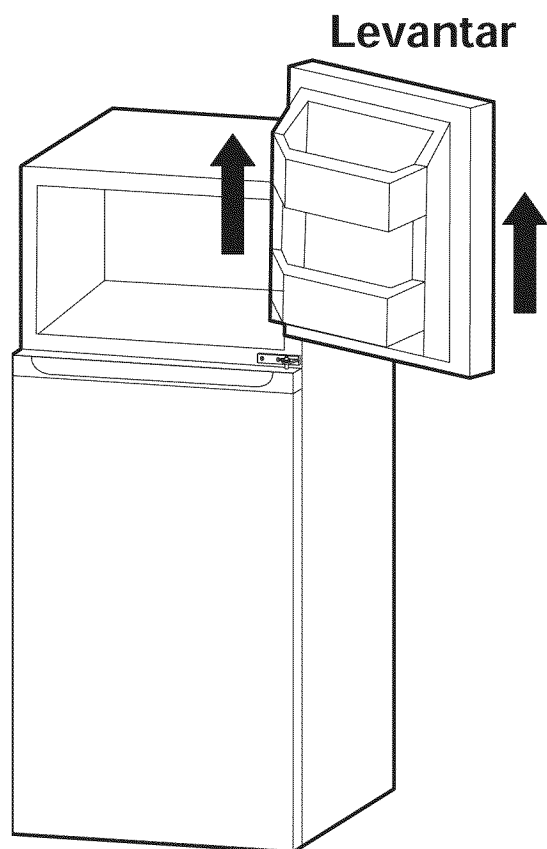
Paso 1

Quite la cubierta de la bisagra superior. Desatornille y quite la bisagra superior y la cuña de la bisagra superior. Conserve los tornillos de modo que pueda utilizarlos en el lado opuesto.



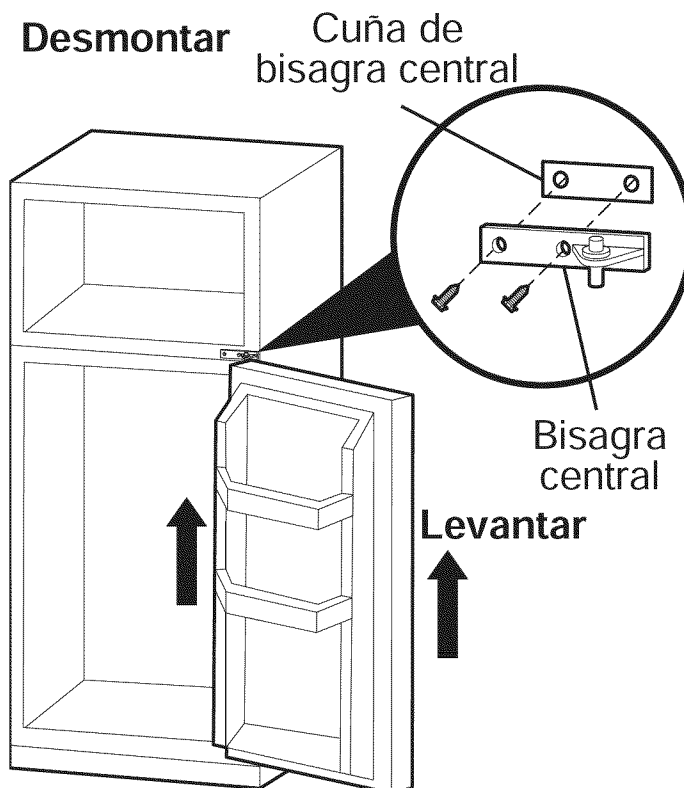
Paso 2

Levante la puerta del congelador y retírela del electrodoméstico.



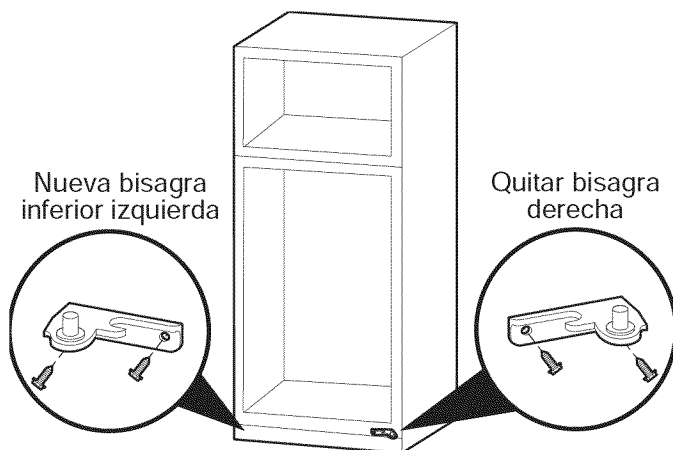
Paso 3

Desatornille y quite la bisagra intermedia y la cuña de la bisagra intermedia. Guarde los tornillos. Levante la puerta del refrigerador y retírela del electrodoméstico.



Paso 4

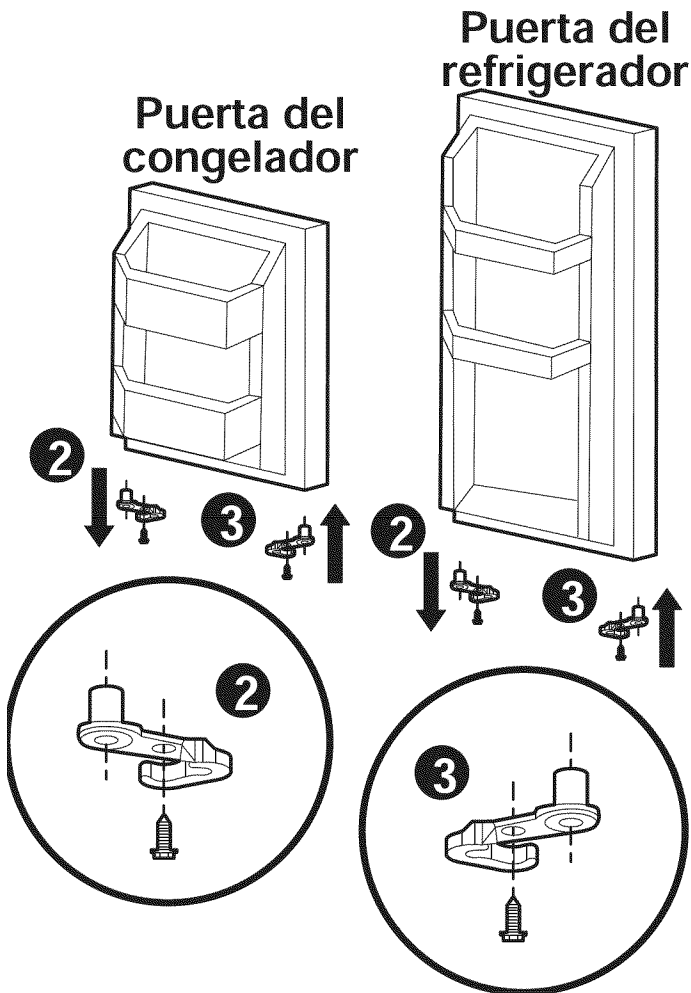
Desatornille y quite la bisagra inferior derecha. Guarde los tornillos. Quite las cubiertas de los tornillos de la esquina opuesta (izquierda) y cubra los orificios expuestos (derecha). Fija la nueva bisagra inferior izquierda con los tornillos que quitó del lado opuesto.



INSTRUCCIONES INVERSIÓN DE LA PUERTA

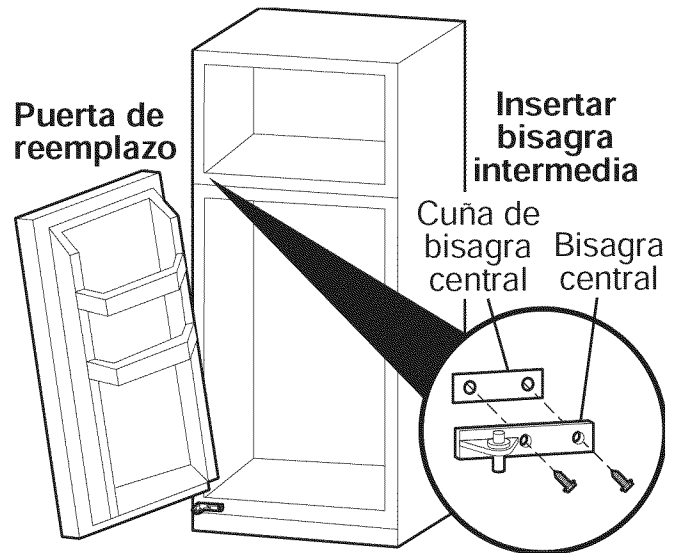
Paso 5

Extraiga los montajes de clavijas derechas de la parte inferior de las puertas del refrigerador y congelador. En el lado opuesto, acople los montajes de clavijas de reemplazo (ubicados en la bolsa de plástico con el Manual de uso y cuidado) con un destornillador. Nota: Debe volver a utilizar los tornillos de los montajes de clavijas que se extraen en este paso cuando se sujetan los nuevos montajes.



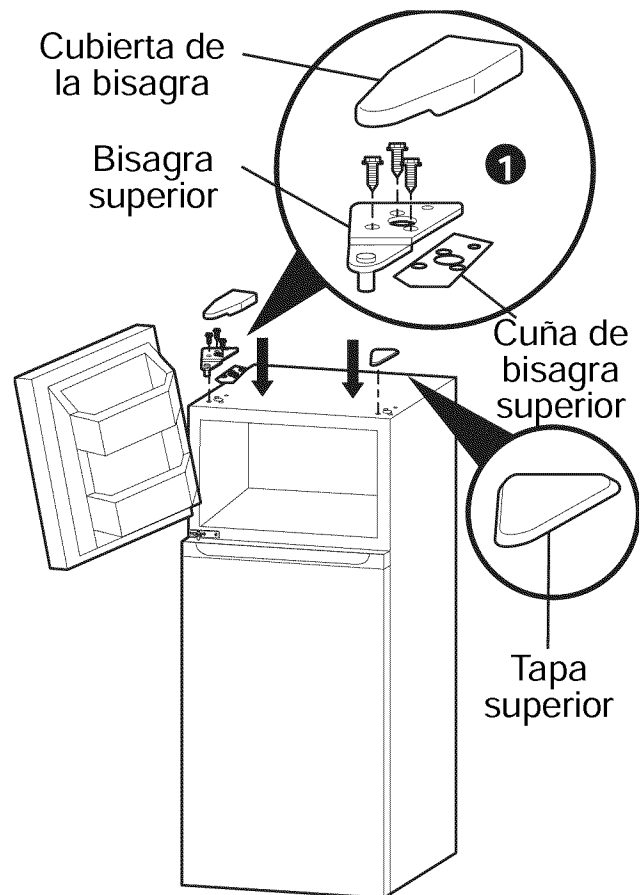
Paso 6

Coloque la puerta del refrigerador en la bisagra inferior izquierda. Asegúrese de que la puerta esté alineada horizontal y verticalmente. Fije la bisagra intermedia a la parte superior (izquierda) de la puerta del refrigerador, fije la cuña a la parte posterior de la bisagra, alinee con orificios y fije a la viga intermedia con los tornillos reservados. Ajuste con un destornillador (no incluido).



Paso 7

Coloque la puerta del congelador en la bisagra intermedia. Asegúrese de que la puerta esté alineada horizontal y verticalmente, y que la junta se selle en todos los lados antes de sujetar la bisagra superior. Sujete la bisagra superior y la cuña y vuelva a colocar la cubierta de la bisagra y la tapa superior.



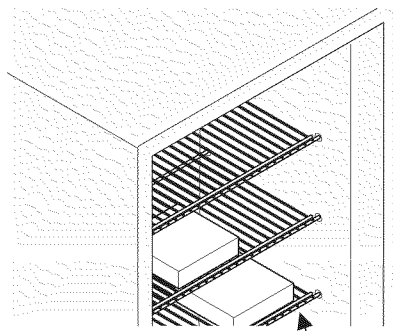
Limpieza

- Lave las piezas removibles del interior y exterior del refrigerador con un detergente suave y agua tibia. Séquelas. No utilice limpiadores abrasivos sobre estas superficies.
- No utilice hojas de afeitar ni otros instrumentos afilados que pueden rayar la superficie del electrodoméstico cuando retire las etiquetas adhesivas. Si queda algún residuo de pegamento de la cinta, puede eliminarlo usando una mezcla de agua tibia y detergente suave. También puede tocar el residuo con el lado adhesivo de la cinta que ya haya retirado. No retire la placa de serie.



PRECAUCIÓN

Para que la puerta cierre y selle adecuadamente, **NO** deje que los paquetes de comida sobresalgan del frente de las bandejas.



Frente de las bandejas

- Instale el refrigerador en la parte más fresca de la habitación, lejos de la luz directa del sol y de las tuberías o rejillas de la calefacción. No coloque el refrigerador cerca de los electrodomésticos que produzcan calor tales como una estufa, un horno o un lavavajillas.
- Nivele el refrigerador de manera que la puertas cierre herméticamente.
- No sobrecargue el refrigerador ni bloquee los tramos de ventilación. Si lo hace, el refrigerador funcionará por períodos más prolongados y consumirá más energía. No forre nunca las bandejas con papel de aluminio, papel de cera o toallas de papel, ya que si lo hace, interferirá con la circulación del aire frío y el funcionamiento del refrigerador será menos eficiente, lo cual puede provocar que los alimentos se echen a perder.
- Cubra los alimentos y seque los envases antes de colocarlos en el refrigerador. Esto reduce la acumulación de humedad dentro de la unidad.
- Organice el refrigerador a fin de reducir la apertura frecuente de la puerta. Saque tantos artículos como necesite de una sola vez y cierre la puerta tan pronto como sea posible.

Período de enfriamiento

Para un almacenamiento seguro de los alimentos, espere 4 horas hasta que el refrigerador se enfríe completamente. El refrigerador funcionará de manera continua durante las primeras horas.

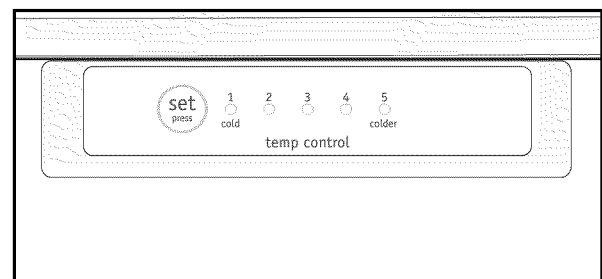
Control de temperatura

El control de temperatura se encuentra dentro del refrigerador y, en algunos modelos, dentro del congelador. La temperatura fue programada en la fábrica para ofrecer temperaturas satisfactorias para el almacenamiento de alimentos. Sin embargo, el control de temperatura es ajustable para ofrecer una mayor variedad de temperaturas para satisfacer sus necesidades personales.

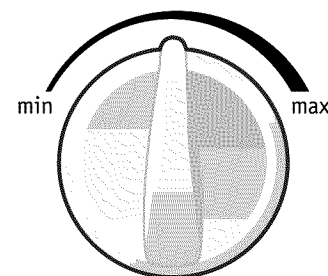
Para regular la temperatura en un nivel más frío en el compartimiento del refrigerador, presione(set) en la perilla de control del refrigerador hasta lograr una temperatura másbaja. Para regular la temperatura en un nivel más frío en el compartimiento del congelador, mueva la perilla de control del congelador hacia **MÁS FRÍO**. Después de cada movimiento, espere 24 horas para que la unidad se regule.

Si la unidad aún no está lo suficientemente fría, repita el procedimiento hasta alcanzar la temperatura deseada. Después de cada movimiento de la perilla de control, espere 24 horas para que la unidad se regule.

Para regular la temperatura en un nivel más cálido en el compartimiento del refrigerador, presione(set) en la perilla de control del refrigerador. Para regular la temperatura en un nivel más cálido en el compartimiento del congelador, mueva la perilla de control del congelador hacia **FRÍO**. Después de cada movimiento, espere 24 horas para que la unidad se regule. Si la unidad aún no está lo suficientemente cálida, repita el procedimiento hasta alcanzar la temperatura deseada. Después de cada movimiento de la perilla de control, espere 24 horas para que la unidad se regule.

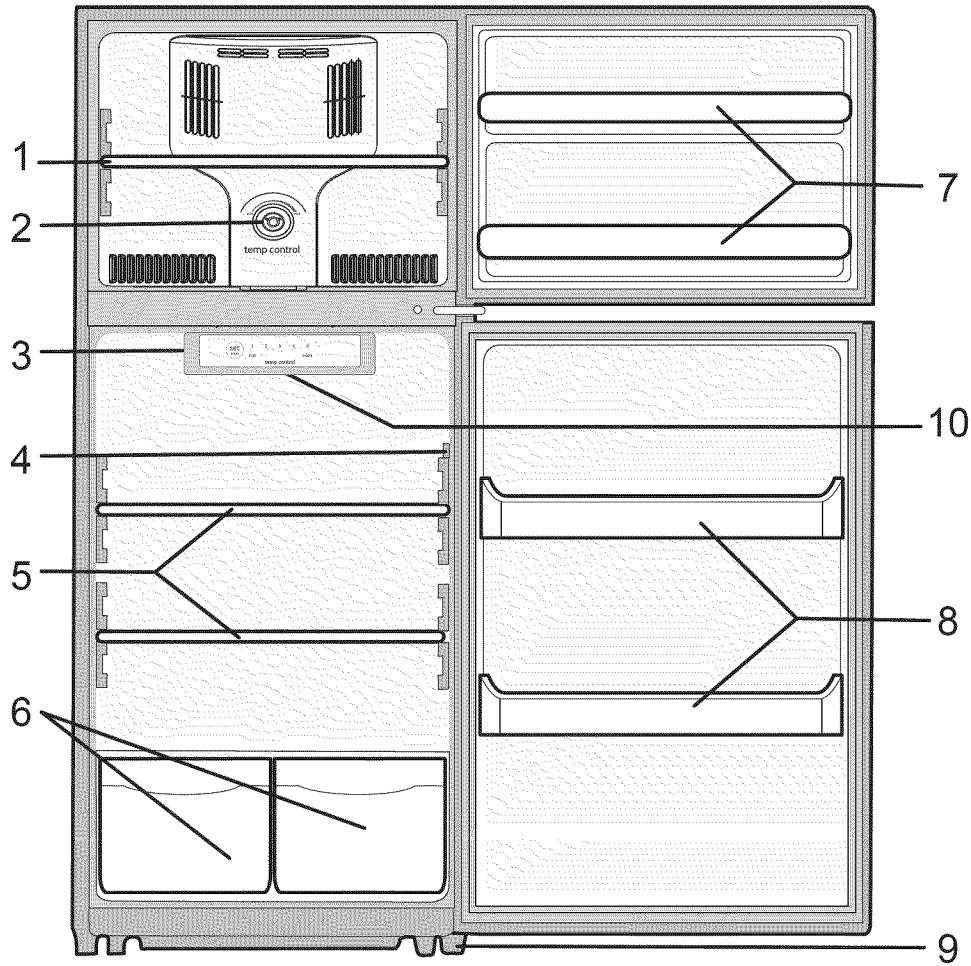


Panel De Control De La Temperatura



Control del congelador

CARACTERÍSTICAS



1	Estante del congelador	6	Cajones para frutas y verduras
2	Control del congelador	7	Compartimientos para puerta del congelador
3	Control del refrigerador	8	Compartimientos para puerta de ancho completo
4	Interruptor de la lámpara	9	Pies frontales ajustables
5	Estantes de vidrio	10	Luz interior (ubicada en el centro del compartimiento de control)

Bandejas interiores ajustables

Las bandejas interiores ajustables de varias posiciones pueden moverse a cualquier posición para ajustarse a paquetes grandes o pequeños. Los espaciadores de empaque que estabilizan las bandejas durante el envío deben ser retirados y desechados.

Cajón para verduras deslizante (algunos modelos)

Una cesta deslizante (disponible en algunos modelos), ubicada en la parte inferior del refrigerador, proporciona un espacio separado para el almacenamiento de artículos que son difíciles de almacenar en las bandejas del refrigerador. Para quitar la cajón, jale hacia afuera y levántela.

Luz interior (algunos modelos)

La luz se enciende automáticamente cuando se abre la puerta. Para reemplazar la bombilla, gire el control de temperatura a la posición "OFF" (apagado) y desenchufe el cordón eléctrico. Reemplace la bombilla usada con una bombilla de la misma potencia (15 máximo de vatio).

Descongelamiento automático

Este modelo viene con un calentador del descongelador diseñado para apagarse y encenderse automáticamente según sea necesario.

Limpieza del interior

Lave las superficies interiores del refrigerador con una solución de dos cucharadas de bicarbonato de sodio en un cuarto de galón (1 litro) de agua tibia. Enjuague y seque. Extraiga el exceso de agua de la esponja o paño cuando limpie el área de los controles o cualquier pieza eléctrica.

Lave las piezas removibles usando la solución de bicarbonato de sodio mencionada anteriormente o con detergente suave y agua tibia. Enjuague y seque. Nunca use esponjas metálicas para restregar, cepillos, limpiadores abrasivos o soluciones alcalinas en ninguna superficie. No lave ninguna pieza removible en el lavavajillas.

Limpieza del exterior

Lave el gabinete con agua tibia y detergente líquido suave. Enjuague bien y seque con un paño suave limpio. Vuelva a colocar las piezas removibles y los alimentos en el congelador.



ADVERTENCIA

Si deja la puerta del refrigerador abierta durante las vacaciones, cerciórese de que los niños no puedan meterse dentro y quedar atrapados.

Sugerencias para vacaciones y mudanzas

Vacaciones:

Si no se va a utilizar el refrigerador por algunos meses:

- Retire todos los alimentos del refrigerador y desenchufe el cordón eléctrico.
- Limpie y seque el interior del refrigerador completamente.
- Deje la puerta del refrigerador levemente abierta y bloquéela, de ser necesario, para evitar la acumulación de olores y de moho.

Mudanza:

Cuando mueva el refrigerador, siga las siguientes recomendaciones para evitar daños:

- Desconecte el enchufe del cordón eléctrico del tomacorriente.
- Retire los alimentos del refrigerador y límpielo.
- Asegure todos los artículos sueltos en su lugar con cinta adhesiva para evitar daños.
- En el vehículo de mudanza, asegure el refrigerador en posición vertical para evitar que se mueva. También proteja el exterior del refrigerador con una frazada u otro objeto similar.

ANTES DE SOLICITAR SERVICIO TÉCNICO

1-800-944-9044 (Estados Unidos)

1-800-265-8352 (Canadá)

Visite nuestro sitio en Internet:

www.frigidaire.com

PROBLEMA	CAUSA	SOLUCIÓN
REFRIGERADOR OPERATION		
El refrigerador no funciona.	<ul style="list-style-type: none"> El refrigerador está enchufado a un circuito de interruptor de falla de conexión a tierra. El control de la temperatura está en la posición 'OFF' (apagado). Es posible que el refrigerador no esté enchufado o que el enchufe esté flojo. Se quemó un fusible de la casa o se disparó el disyuntor. Interrupción de la energía eléctrica. 	<ul style="list-style-type: none"> Use otro circuito. Si no está seguro sobre el tomacorriente, hágalo revisar por un técnico certificado. Vea la sección control de temperatura. Asegúrese de que el enchufe esté firmemente colocado en el tomacorriente. Verifique o reemplace el fusible con un fusible de acción retardada de 15 amp. Restablezca el disyuntor. Verifique las luces del hogar. Llame a su compañía eléctrica.
El refrigerador funciona demasiado o por demasiado tiempo.	<ul style="list-style-type: none"> La temperatura de la habitación o del ambiente es caliente. El refrigerador fue desconectado recientemente por un periodo de tiempo. Se almacenaron grandes cantidades de alimentos tibios o calientes recientemente. Las puertas se abren con demasiada frecuencia o por demasiado tiempo. La puerta del refrigerador puede estar ligeramente abierta. El control de la temperatura está en un ajuste demasiado bajo. La junta del refrigerador está sucia, gastada, agrietada o mal ajustada. 	<ul style="list-style-type: none"> Es normal que el refrigerador funcione más bajo estas condiciones. Toma 4 horas para que el refrigerador se enfrie completamente. Los alimentos tibios harán que el refrigerador funcione más hasta que se alcance la temperatura deseada. El aire caliente que entra en el refrigerador lo hace funcionar más. Abra la puerta con menor frecuencia. Vea la sección "PROBLEMAS DE LA PUERTA". Gire la perilla a un ajuste más tibio. Espere varias horas hasta que la temperatura se estabilice. Limpie o cambie la junta. Los escapes en el sello de la puerta harán que el refrigerador funcione más para mantener la temperatura deseada.
La temperatura interna del refrigerador está demasiado fría.	<ul style="list-style-type: none"> El control de la temperatura está en un ajuste demasiado bajo. 	<ul style="list-style-type: none"> Gire el control a un ajuste más tibio. Espere varias horas hasta que la temperatura se estabilice.
La temperatura interna del refrigerador está demasiado tibia.	<ul style="list-style-type: none"> El control de la temperatura está en un ajuste demasiado tibio. La puerta se mantiene abierta demasiado tiempo o se abre con demasiada frecuencia. Es posible que la puerta no selle correctamente. Se almacenaron grandes cantidades de alimentos tibios o calientes recientemente. El refrigerador fue desconectado recientemente por un periodo de tiempo. 	<ul style="list-style-type: none"> Gire el control a un ajuste más frío. Espere varias horas hasta que la temperatura se estabilice. El aire caliente entra en el refrigerador cada vez que se abre la puerta. Abra la puerta con menor frecuencia. Vea la sección "PROBLEMAS DE LA PUERTA". Espere hasta que el refrigerador haya tenido la oportunidad de alcanzar la temperatura seleccionada. El refrigerador requiere 4 horas para enfriarse completamente.
La superficie exterior del refrigerador está tibia.	<ul style="list-style-type: none"> Los refrigeradores modernos han aumentado la capacidad de almacenamiento y la estabilidad de las temperaturas. Es por ello que requieren un compresor de alta eficiencia. 	<ul style="list-style-type: none"> Esto es normal mientras el compresor funciona para transferir el calor desde el interior del gabinete del refrigerador.

ANTES DE SOLICITAR SERVICIO TÉCNICO

PROBLEMA	CAUSA	SOLUCIÓN
SONIDOS Y RUIDOS		
Niveles de sonido más altos cuando el refrigerador está encendido.	<ul style="list-style-type: none"> Los refrigeradores modernos han aumentado la capacidad de almacenamiento y la estabilidad de las temperaturas. Es por ello que requieren un compresor de alta eficiencia. 	<ul style="list-style-type: none"> Esto es normal. Cuando el ruido del ambiente es bajo, es posible escuchar el compresor en funcionamiento mientras enfría el interior del refrigerador.
Niveles de sonido más altos cuando se enciende el compresor.	<ul style="list-style-type: none"> El refrigerador funciona a presiones mayores durante el inicio del ciclo de ENCENDIDO. 	<ul style="list-style-type: none"> Esto es normal.
El ventilador funciona cuando la temperatura ambiente es inferior a los 45° F (7° C).	<ul style="list-style-type: none"> El termostato exterior ha activado el calentador y el ventilador. 	<ul style="list-style-type: none"> Esto es normal.
Se escuchan ruidos de golpes o chasquidos cuando se enciende el compresor.	<ul style="list-style-type: none"> Las piezas de metal se expanden y contraen al igual que en las tuberías de agua caliente. 	<ul style="list-style-type: none"> Esto es normal. El sonido se estabilizará o desaparecerá a medida que el refrigerador siga funcionando.
Ruido burbujeante o gorgoteante, como de agua hirviente.	<ul style="list-style-type: none"> El refrigerante (usado para enfriar el refrigerador) circula a través del sistema. 	<ul style="list-style-type: none"> Esto es normal.
Ruido de vibración o traqueteo.	<ul style="list-style-type: none"> El refrigerador no está nivelado. Se balancea en el piso cuando se mueve ligeramente. El refrigerador está haciendo contacto con la pared. 	<ul style="list-style-type: none"> Nivele la unidad. Consulte el apartado "Nivelación" en la sección Primeros pasos. Nivele de nuevo o mueva ligeramente el refrigerador. Consulte el apartado "Nivelación" en la sección Primeros pasos.
Chasquidos.	<ul style="list-style-type: none"> El control de frío enciende y apaga el refrigerador. 	<ul style="list-style-type: none"> Esto es normal.
AGUA/HUMEDAD/ESCARCHA DENTRO DEL REFRIGERADOR		
Se acumula humedad dentro de las paredes interiores del refrigerador.	<ul style="list-style-type: none"> El ambiente es húmedo y caluroso. Es posible que la puerta no selle correctamente. La puerta se mantiene abierta demasiado tiempo o se abre con demasiada frecuencia. 	<ul style="list-style-type: none"> Esto es normal. Vea la sección "PROBLEMAS DE LA PUERTA". Abra la puerta con menor frecuencia.
AGUA/HUMEDAD/ESCARCHA EN EL EXTERIOR DEL REFRIGERADOR		
Se acumula humedad en el exterior del refrigerador.	<ul style="list-style-type: none"> Es posible que la puerta no selle correctamente, lo que hace que el aire frío del refrigerador encuentre con el aire tibio y húmedo de la habitación. 	<ul style="list-style-type: none"> Vea la sección "PROBLEMAS DE LA PUERTA".
OLORES EN EL REFRIGERADOR		
Olores en el refrigerador.	<ul style="list-style-type: none"> El interior del refrigerador debe ser limpiado. 	<ul style="list-style-type: none"> Limpie el interior con una esponja, con agua tibia y con bicarbonato de sodio.
PROBLEMAS DE LA PUERTA		
La puerta no cierra.	<ul style="list-style-type: none"> El refrigerador no está nivelado. Se balancea en el piso cuando se mueve ligeramente. 	<ul style="list-style-type: none"> Esta condición puede hacer que el gabinete se descuadre y la puerta quede fuera de alineación. Consulte el apartado "Nivelación" en la sección Primeros pasos.
LA BOMBILLA NO SE ENCIENDE		
La bombilla no se enciende.	<ul style="list-style-type: none"> Se quemó la bombilla. No llega corriente eléctrica al refrigerador. 	<ul style="list-style-type: none"> Siga las instrucciones bajo "Luz interior" en la sección Características del refrigerador. Vea la sección "FUNCIONAMIENTO DEL REFRIGERADOR".

GARANTÍA DE LOS ELECTRODOMÉSTICOS GRANDES

Su electrodoméstico está cubierto por una garantía limitada de un año. Durante un año a partir de la fecha original de compra, Electrolux cubrirá todos los costos de reparación o reemplazo de cualquier pieza de éste electrodoméstico que se encuentren defectuosas en materiales o mano de obra cuando el electrodoméstico se instala, utiliza y mantiene de acuerdo con las instrucciones proporcionadas.

Exclusiones Esta garantía no cubre lo siguiente:

1. Productos a los que se les quitaron o alteraron los números de serie originales o que no pueden determinarse con facilidad.
2. Productos que hayan sido transferidos del dueño original a un tercero o que no se encuentren en los EE.UU. o en Canadá.
3. Óxido en el interior o exterior de la unidad.
4. Los productos comprados "previamente usados o productos de muestra" no están cubiertos por esta garantía.
5. Pérdida de alimentos por fallas del refrigerador o congelador.
6. Productos utilizados para fines comerciales.
7. Las llamadas de servicio que no involucren el funcionamiento defectuoso ni los defectos de materiales o de mano de obra, o para electrodomésticos que no sean utilizados para uso normal del hogar o de acuerdo con las instrucciones proporcionadas.
8. Llamadas de servicio para corregir errores de instalación del electrodoméstico o para instruirlo sobre el uso del mismo.
9. Gastos para facilitar el acceso al electrodoméstico para el servicio, tales como la remoción de molduras, armarios, estantes, etc. que no eran parte del electrodoméstico cuando se envió de la fábrica.
10. Llamadas de servicio para reparar o reemplazar bombillas, filtros de aire, filtros de agua, otros consumibles, perillas, manijas u otras piezas decorativas.
11. Costos adicionales que incluyen, sin limitarse, cualquier llamada de servicio fuera de las horas de oficina, durante los fines de semana o días feriados, peajes, pasajes de transporte o millaje/kilometraje para llamadas de servicio en áreas remotas, incluyendo el estado de Alaska.
12. Daños al acabado del electrodoméstico o al hogar que hayan ocurrido durante la instalación, incluyendo, sin limitarse, los armarios, paredes, etc.
13. Daños causados por: servicio realizado por compañías de servicio no autorizadas, el uso de piezas que no sean piezas genuinas Electrolux o piezas obtenidas de personas que no pertenezcan a compañías de servicio autorizado, o causas externas como abuso, mal uso, suministro eléctrico inadecuado, accidentes, incendios, hechos fortuitos o desastres naturales.

RENUNCIA DE RESPONSABILIDAD DE GARANTÍAS IMPLÍCITAS; LIMITACIÓN DE ACCIONES LEGALES

LA ÚNICA Y EXCLUSIVA OPCIÓN DEL CLIENTE BAJO ESTA GARANTÍA LIMITADA ES LA REPARACIÓN O REEMPLAZO DEL PRODUCTO SEGÚN SE INDICA. LOS RECLAMOS BASADOS EN GARANTÍAS IMPLÍCITAS, INCLUYENDO LAS GARANTÍAS DE COMERCIALIZACIÓN O APTITUD DEL PRODUCTO PARA UN PROPÓSITO ESPECÍFICO, ESTÁN LIMITADOS A UN AÑO O AL PERÍODO MÍNIMO PERMITIDO POR LEY, PERO NUNCA MENOS DE UN AÑO. ELECTROLUX NO SERÁ RESPONSABLE POR DAÑOS CONSECUENTES O INCIDENTALES COMO POR EJEMPLO DAÑOS A LA PROPIEDAD Y GASTOS INCIDENTALES OCASIONADOS POR EL INCUMPLIMIENTO DE ESTA GARANTÍA ESCRITA O DE CUALQUIER GARANTÍA IMPLÍCITA. ALGUNOS ESTADOS Y PROVINCIAS NO PERMITEN LA EXCLUSIÓN O LIMITACIÓN DE DAÑOS INCIDENTALES O CONSECUENTES O LIMITACIONES EN LA DURACIÓN DE LAS GARANTÍAS IMPLÍCITAS, DE MANERA QUE PUEDE QUE ESTAS LIMITACIONES O EXCLUSIONES NO SE APLIQUEN EN SU CASO. ESTA GARANTÍA ESCRITA LE OTORGA DERECHOS LEGALES ESPECÍFICOS. ESO POSIBLE QUE TAMBIÉN TENGA OTROS DERECHOS QUE VARÍAN DE UN ESTADO A OTRO.

Si tiene que solicitar servicio técnico

Guarde su recibo, el comprobante de entrega o cualquier otro registro de pago adecuado para establecer el período de la garantía si llegara a requerir servicio. Si se realiza la reparación, le conviene obtener y conservar todos los recibos. El servicio realizado bajo esta garantía debe ser obtenido a través de Electrolux utilizando las direcciones o números que se indican abajo.

Esta garantía sólo se aplica en los Estados Unidos y Canadá. En los EE.UU., su electrodoméstico está garantizado por Electrolux Major Appliances North America, una división de Electrolux Home Products, Inc. En Canadá, su electrodoméstico está garantizado por Electrolux Canada Corp. Electrolux no autoriza a ninguna persona a cambiar o agregar ninguna obligación bajo esta garantía. Nuestras obligaciones de reparación y piezas bajo esta garantía deben ser realizadas por Electrolux o compañía de servicio autorizado. Las especificaciones o características del producto según se describen o ilustran están sujetas a cambio sin previo aviso.

EE. UU.
1.800.944.9044
Frigidaire
10200 David Taylor Drive
Charlotte, NC 28262



Electrolux

Canadá
1.800.265.8352
Electrolux Canada Corp.
5855 Terry Fox Way
Mississauga, Ontario, Canada
L5V 3E4