

CRAFTSMAN®

Product questions or problems?

1-888-331-4569

Customer Care Hot Line

Get answers to questions, troubleshoot problems,
order parts, or schedule repair service.

Para respuestas a preguntas o problemas, y ordenar
piezas o pedir servicio para la reparación de su equipo.

To help us help you, register your product at www.craftsman.com/registration

Para poderte ayudar mejor, registra tu producto en www.craftsman.com/registration

Join the Craftsman Club today!

CRAFTSMAN® CLUB

www.craftsman.com/signup

Receive exclusive member benefits including special pricing and offers,
project sharing, expert advice, and SHOP YOUR WAY REWARDS!

Como miembro exclusivo, recibe diversos beneficios como ofertas, precios especiales, proyectos
nuevos, consejos de expertos y nuestro programa de puntos SHOP YOUR WAY REWARDS!

© Registered Trademark / ™ Trademark of KCD IP, LLC in the United States, or Sears Brands, LLC in other countries
© Marca Registrada / ™ Marca de Fábrica de KCD IP, LLC en Estados Unidos, o Sears Brands, LLC in otros países

Operator's Manual

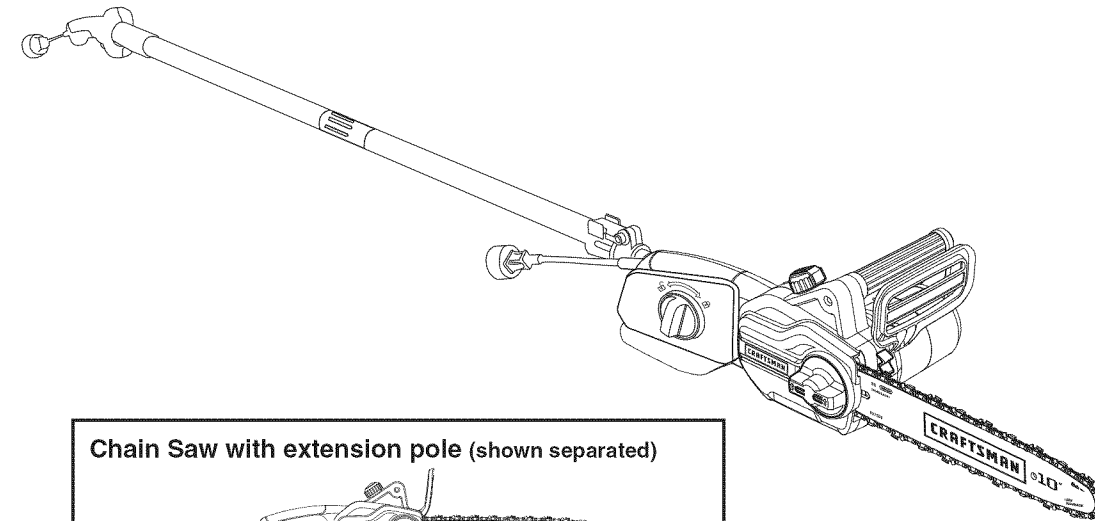
CRAFTSMAN®

9 Amp/1.5 Peak HP Motor

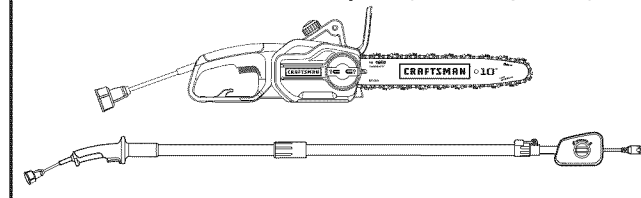
Electric

**Adjustable
Pole Saw/Chain Saw**

Model No. 172.43983 10-In. Bar



Chain Saw with extension pole (shown separated)



CAUTION: Read, understand and follow all
Safety Rules and Operating Instructions in this
Manual before using this product.

**Sears Brands Management Corporation,
Hoffman Estates, IL 60179 U.S.A.
www.craftsman.com**

- WARRANTY
- SAFETY
- UNPACKING
- ASSEMBLY
- OPERATION
- MAINTENANCE
- PARTS LIST
- ESPAÑOL

TABLE OF CONTENTS

Warranty.....	Page 2
Safety Symbols.....	Page 3
Safety Instructions.....	Pages 4 - 13
Unpacking.....	Page 13
Description.....	Pages 14 - 15
Assembly and Adjustments.....	Pages 16 - 20
Operation.....	Pages 20 - 27
Maintenance/Trouble Shooting.....	Pages 27 - 30
Parts Lists.....	Pages 31 - 33

CRAFTSMAN LIMITED WARRANTY

FOR TWO YEARS from the date of sale, this product is warranted against defects in material or workmanship.

WITH PROOF OF SALE, a defective product will be replaced free of charge.

For warranty coverage details or to obtain free replacement, visit the web site: www.craftsman.com

This warranty does not cover the bar and chain, which are expendable parts that can wear out from normal use within the warranty period.

This warranty is void if this product is ever used while providing commercial services or if rented to another person.

This warranty gives you specific legal rights, and you may also have other rights which vary from state to state.

Sears Brands Management Corporation, Hoffman Estates, IL 60179

NOTE: Chain and Bar Oil is not included. **BEFORE** using this Chain Saw, do not forget to purchase Craftsman Bar & Chain Oil, SAE30.

⚠ WARNING: Some dust particles created by lawn and garden tools contain chemicals known to the state of California to cause cancer, birth defects or other reproductive harm. Some examples of these chemicals are:

- Compounds in fertilizers, herbicides, pesticides, and insecticides.
- Arsenic and chromium from chemically treated lumber.

Your risk from these exposures varies, depending upon how often you do this type of work. To reduce your exposure to these chemicals:

- Work in a well-ventilated area
- Work with approved safety equipment, such as those dust masks that are specially designed to filter out microscopic particles.



**SAVE THESE INSTRUCTIONS!
READ ALL INSTRUCTIONS!**

SAFETY SYMBOLS

The purpose of safety symbols is to attract your attention to possible dangers. The safety symbols and the explanations with them deserve your careful attention and understanding. The symbol warnings do not, by themselves, eliminate any danger. The instructions and warnings they give are no substitutes for proper accident prevention measures.

⚠ WARNING: Be sure to read and understand all safety instructions in this manual, including all safety alert symbols such as **“DANGER,”** **“WARNING,”** and **“CAUTION”** before using this rotary tool. Failure to follow all instructions listed in this manual may result in electric shock, fire and/or serious personal injury.

SYMBOL SIGNAL MEANING

⚠ SAFETY ALERT SYMBOL: Indicates **DANGER, WARNING, OR CAUTION.** May be used in conjunction with other symbols or pictographs.

⚠ DANGER: Indicates a hazardous situation which, if not avoided, will result in death or serious injury. This signal word is to be limited to the most extreme situations. Always follow the safety precautions to reduce the risk of fire, electric shock, and personal injury.

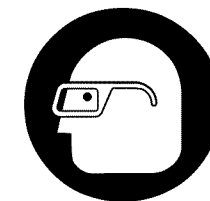
⚠ WARNING: Indicates a hazardous situation which, if not avoided, could result in death or serious injury. Always follow the safety precautions to reduce the risk of fire, electric shock, and personal injury.

⚠ CAUTION: Indicates a hazardous situation which, if not avoided, could result in minor or moderate injury.

Damage Prevention and Information Messages

These inform the user of important information and/or instructions that could lead to equipment or other property damage if they are not followed. Each message is preceded by the word **“NOTE,”** as in the example below:

NOTE: Equipment and/or property damage may result if these instructions are not followed.



⚠ WARNING: To ensure safety and reliability, all repairs should be performed by a qualified service technician.

⚠ WARNING: The operation of any power tools can result in foreign objects being thrown into your eyes, which can result in severe eye damage. Before beginning power tool operation, always wear safety goggles or safety glasses with side shield and a full face shield when needed. We recommend a Wide Vision Safety Mask for use over eyeglasses or standard safety glasses with side shields. Always use eye protection which is marked to comply with ANSI Z87.1 shields.

SAFETY INSTRUCTIONS

⚠ WARNING: If correctly used, this electric **Pole Saw/Chain Saw** is an efficient tool to use; if used improperly or without the due precautions it could become a dangerous tool. For pleasant and safe work, **ALWAYS** strictly comply with the safety rules that are contained in this manual.

⚠ WARNING: **BE SURE** to read and understand all instructions in this manual before using this electric **Pole Saw/Chain Saw**. Failure to follow all instructions listed below may result in electric shock, fire and/or serious personal injury.

⚠ WARNING: To avoid mistakes that could cause serious injury, **DO NOT** connect the **Pole Saw/Chain Saw** to the power source until the following instructions have been read and understood.

⚠ WARNING: Consider the work area environment. Use extreme caution when cutting small size brush and saplings because the slender material may catch the saw chain and be whipped toward you or pull you off balance. **DO NOT** operate a chain saw in a tree unless specifically trained to do so. When cutting a limb that is under tension be alert for spring back so that you will not be struck when the tension in the wood fibers is released.

GENERAL POWER TOOL SAFETY WARNINGS

⚠ WARNING: Read all safety warnings and instructions. Failure to follow the warnings and instructions may result in electric shock, fire and/or serious injury.

SAVE ALL WARNINGS AND INSTRUCTIONS FOR FUTURE REFERENCE.

The term power tool in the warnings refers to your electric (corded) power tool or battery-operated (cordless) power tool.

WORK AREA SAFETY

- **Avoid Dangerous Environment - Don't use appliances in damp or wet locations.**
- **Keep work area clean and well lit.** Cluttered or dark areas invite accidents.
- **Do not operate power tools in explosive atmospheres, such as in the presence of flammable liquids, gases or dust.** Power tools create sparks which may ignite the dust or fumes.
- **Keep children and bystanders away while operating a power tool.** Distractions can cause you to lose control.

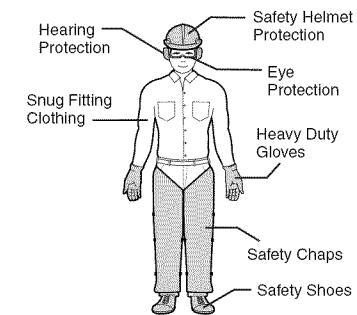
ELECTRICAL SAFETY

- **Power tool plugs must match the outlet.** Never modify the plug in any way. **Do not use any adapter plugs with grounded power tools.** Unmodified plugs and matching outlets will reduce risk of electric shock.
- **Avoid body contact with grounded surfaces such as pipes, radiators, ranges and refrigerators.** There is an increased risk of electric shock if your body is grounded.
- **Do not expose power tools to rain or wet conditions.** Water entering a power tool will increase the risk of electric shock.
- **Do Not Abuse Cord - Never carry appliance by cord or yank it to disconnect from receptacle. Keep cord from heat, oil, and sharp edges.**
Damaged or entangled cords increase the risk of electric shock.
- **When operating a power tool outdoors, use an extension cord suitable for outdoor use.** Use of a cord suitable for outdoor use reduces the risk of electric shock.
- **Operating a power tool in a damp location is unavoidable, use a ground fault circuit interrupter (GFCI) protected supply.** Use of an GFCI reduces the risk of electric shock.

SAFETY INSTRUCTIONS cont.

PERSONAL SAFETY

- **Stay alert, watch what you are doing and use common sense when operating a power tool. Do not use a power tool while you are tired or under the influence of drugs, alcohol or medication.** A moment of inattention while operating power tools may result in serious personal injury.
- **Use personal protective equipment. Always wear eye protection.** Protective equipment such as dust mask, non-skid safety shoes, hard hat, or hearing protection used for appropriate conditions will reduce personal injuries.
- **Avoid Unintentional Starting - Do not carry plugged-in appliance with finger on switch.** Be sure switch is off when plugging in.
- **Remove any adjusting key or wrench before turning the power tool on.** A wrench or a key left attached to a rotating part of the power tool may result in personal injury.
- **Do not overreach. Keep proper footing and balance at all times.** This enables better control of the power tool in unexpected situations.
- **Dress properly. Do not wear loose clothing or jewelry. Keep your hair, clothing and gloves away from moving parts.** Loose clothes, jewelry or long hair can be caught in moving parts.
- **If devices are provided for the connection of dust extraction and collection facilities, ensure these are connected and properly used.** Use of dust collection can reduce dust-related hazards.



POWER TOOL USE AND CARE

- **Don't grasp the exposed cutting blades or cutting edges when picking up or holding the appliance or power tool.**
- **Don't Force Appliance/Power Tool - It will do the job better and with less likelihood of a risk of injury at the rate for which it was designed.**
- **Do not use the power tool if the switch does not turn it on and off.** Any power tool that cannot be controlled with the switch is dangerous and must be repaired.
- **Disconnect the plug from the power source and/or the battery pack from the power tool before making any adjustments, changing accessories, or storing power tools.** Such preventive safety measures reduce the risk of starting the power tool accidentally.
- **Store idle power tools out of the reach of children and do not allow persons unfamiliar with the power tool or these instructions to operate the power tool.** Power tools are dangerous in the hands of untrained users.
- **Maintain power tools. Check for misalignment or binding of moving parts, breakage of parts and any other condition that may affect the power tools operation. If damaged, have the power tool repaired before use.** Many accidents are caused by poorly maintained power tools.
- **Maintain Appliance With Care -** Keep cutting edge sharp and clean for best performance and to reduce the risk of injury. Follow instructions for lubricating and changing accessories. Inspect appliance cord periodically, and if damaged, have it repaired by an authorized service facility. Inspect extension cords periodically and replace if damaged. Keep handles dry, clean, and free from oil and grease.
- **Use the power tool, accessories and tool bits etc., in accordance with these instructions and in the manner intended for the particular type of power tool, taking into account the working conditions and the work to be performed.** Use of the power tool for operations different from those intended could result in a hazardous situation.
- **USE ONLY chains that are recommended for this Chain Saw.** Chains that may be suitable for one Chain Saw may become hazardous when used on another Chain Saw.
- **Keep the pole saw/chain saw a sufficient distance away from electrical power lines.**


SERVICE

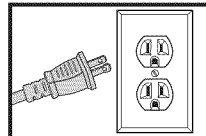
- **Have your power tool serviced by a qualified repair person using only identical replacement parts.** This will ensure that the safety of the power tool is maintained.

SAFETY INSTRUCTIONS cont.

ELECTRICAL SAFETY

⚠ WARNING: Do not permit fingers to touch the terminals of plug when installing or removing the extension cord from the plug.

1. **Double insulated tools are equipped with a polarized plug (one blade is wider than the other and will require the use of a polarized extension cord.** The Chain Saw's plug will fit into a polarized extension cord only one way. If the plug does not fit fully into the extension cord, reverse the plug. If the plug still does not fit, obtain a correct polarized extension cord. A polarized extension cord will require the use of a polarized wall outlet. This plug will fit into the polarized wall outlet only one way. If the plug does not fit fully into the wall outlet, reverse the plug. If the plug still does not fit, contact a qualified electrician to install the proper outlet. **Do not change or alter** the equipment plug, extension cord receptacle, or extension cord plug in any way.
2. Double insulation  eliminates the need for the three-wire grounded power cord and grounded power supply system. Applicable only to Class II (double-insulated) tools. This Chain Saw is a double insulated tool.



⚠ WARNING: GFCI (Ground Fault Circuit Interrupter) protection should be provided on all circuits or outlets to be used for electric chain saws and lawn and garden power tools. Receptacles are available having built-in GFCI protection and should be used for this measure of protection.

- Double insulation **DOES NOT** take the place of normal safety precautions when operating this tool.
- Guard against electric shock: Prevent body contact with grounded surfaces. For example: metal pipes, wire fences.

3. **BEFORE** plugging in the tool, **BE SURE** that the outlet voltage supplied is within the voltage marked on the tool's data plate. **DO NOT** use "AC only" rated tools with a DC power supply.
4. **DO NOT expose tools to rain or wet conditions or use electric tools in wet or damp locations.** Water entering an electric tool will increase the risk of electric shock.
5. **If operating an electric tool in damp locations is unavoidable, ALWAYS USE a Ground Fault Circuit Interrupter to supply power to your tool. ALWAYS WEAR electrician's rubber gloves and footwear in damp conditions.**
6. **To reduce the risk of electric shock,** use only with an extension cord intended for outdoor use, such as an extension cord of cord type: SW-A, SOW-A, STW-A, STOW-A, SJW-A, SJOW-A, SJTW-A. or SJTOW-A.
7. **INSPECT tool cords for damage.** Have damaged tool cords repaired at a Sears Service Center. **BE SURE** to stay constantly aware of the cord location and keep it well away from the cutting blade.
8. **DO NOT abuse the extension cord. NEVER use the cord to carry the tool by or to pull the plug from the outlet.** Keep cord away from heat, oil, sharp edges or moving parts. Replace damaged cords immediately. Damaged cords increase the risk of electric shock.

EXTENSION CORDS

Use a proper extension cord. ONLY use cords listed by Underwriters Laboratories (UL). Other extension cords can cause a drop in line voltage, resulting in a loss of power and overheating of tool.

For this tool an AWG (American Wire Gauge) size of a least 14-gauge is recommended for an extension cord of 25-ft. or less in length. Use 12-gauge for an extension cord of 50-ft. **Extension cords 100-ft. or longer are not recommended.**

SAFETY INSTRUCTIONS cont.

EXTENSION CORDS cont.

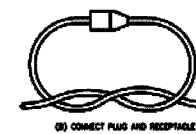
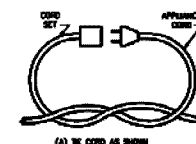
Remember, a **smaller wire gauge size has greater capacity than a larger number** (14-gauge wire has more capacity than 16-gauge wire; 12-gauge wire has more capacity than 14-gauge). When in doubt use the smaller number.

Minimum gauge for extension cords

Volts	Total length of cord in feet				
	25	50	100	150	
120V	25	50	100	150	
240V	50	100	200	300	
Ampere Rating		AWG			
More than	Not more than				
0 - 6	18	16	16	14	
6 - 10	18	16	14	12	
10 - 12	16	16	14	12	
12 - 16	14	12	Not recommended		

NOTE - Only the applicable parts of the Table need to be included. For instance, a 120-volt product need not include the 240-volt heading.

Method of securing extension cord



⚠ CAUTION: Keep the extension cord clear of the work area. Position the cord so that it will not get caught on bushes, hedges, tree trunks, lawnmowers or other obstructions while you are working with the Chain Saw.

⚠ WARNING: Check extension cords before each use. If damaged replace immediately. Never use tool with a damaged cord since touching the damaged area could cause electrical shock, resulting in serious injury.

SAFETY SYMBOLS FOR YOUR TOOL

The label on your tool may include the following symbols.

V.....Volts

A.....Amps

Hz.....Hertz

W.....Watts

min.....Minutes


~.....Alternating current


—.....Direct current


no.....No-load speed


.../min.....Revolutions or Strokes per minute


⚠.....Indicates danger, warning or caution. It means attention! Your safety is involved.

.....Tip contact may cause the guide bar to move suddenly upward and backwards, which may cause serious injury to user.

.....Contact of the guide bar tip with any object should be avoided.

.....Read and follow all safety precautions in the owner's manual. Failure to follow to instruction could result in serious injury to user.

.....Do not expose to rain.

.....Remove plug from mains immediately if the cable is damaged or cut.



.....Protective goggles/visor, helmet & hearing protection.



.....Gloves with saw protection.



.....Boots with saw protection, steel-toe cap and non-slip sole.



.....Wear dust mask.



.....Do not use one handed when operating the chain saw.



.....Always use two hands when operating the chain saw.



.....Class II construction, Double-Insulation. When servicing, use only identical replacement parts.



.....The chain saw kickback angle is 10°, with a chain stop.



.....Correct Direction of Cutting-Teeth.



.....Chain Stop



Warning of danger from overhead electric-power lines.

SAFETY INSTRUCTIONS cont.

SERVICE SAFETY

1. **If any part of this Pole Saw/Chain Saw is missing or should break, bend, or fail in any way; or should any electrical component fail to perform properly: SHUT OFF** the power switch and remove the power cord from the Chain Saw and have the missing, damaged or failed parts replaced **BEFORE** resuming operation.
2. **Tool service should be performed at a qualified service dealer or repair center.** Service or maintenance performed by unqualified personnel could result in a risk of injury.
3. **When servicing a tool, use only identical replacement parts. Follow instructions in the maintenance section of this manual.** Use of unauthorized parts or failure to follow maintenance instructions may create a risk of electric shock or injury.

SAFETY RULES FOR ELECTRIC POLE SAW/CHAIN SAWS

1. **KNOW your electric Pole Saw/Chain Saw. Read operator's manual carefully.** Learn the applications and limitations, as well as the specific potential hazards related to this tool. Following this rule will reduce the risk of electric shock, fire or serious injury.
2. **DO NOT** use the Pole Saw/Chain Saw without adequate lighting. **ALWAYS** make sure that you can see what you are cutting.
3. Use Chain Saw **ONLY** when wood is dry.
4. **ALWAYS** stand to the left of the Handle. Any debris thrown by the Chain Saw would be coming from the Blade Guard area on the right of the Chain Saw.
5. **ALWAYS** remove objects such as sticks and debris from the cutting path that could become entangled in, or thrown by the Chain Saw.
6. **DO NOT** start cutting until you have a clear work area, secure footing, especially if you are felling a tree, a retreat path. Keep work area clean.
7. **DO NOT** operate with one hand. Serious injury to the operator, helpers, or bystanders may result from one handed operation. A pole saw/chain saw is intended for two-handed use.
8. **DO NOT** operate pole saw/chain saw from a ladder or in a tree.
9. **MAKE SURE** the chain will not make contact with any object while starting the saw. **NEVER** start the saw when the guide bar is in a cut.
10. **DO NOT** force chain saw. It will do the job better and safer at the rate for which it was intended.
11. **DO NOT** put pressure on the saw, especially at the end of the cut. Doing so can cause you to lose control when the cut is completed.
12. **STOP** the saw before setting it down.
13. **Carry the chain saw by the front handle with the chain saw switched off and away from your body. When transporting or storing the chain saw always fit the guide bar cover.** Proper handling of the chain saw will reduce the likelihood of accidental contact with the moving saw chain.
14. Use the right tool, **CUT WOOD ONLY.** Don't use chain saw for purpose not intended; for example, don't use chain saw for cutting plastic, masonry, non-wood building materials.
15. **DO NOT** operate a pole saw/chain saw that is damaged, improperly adjusted, or not completely and securely assembled. Always replace bar, chain, hand guard, or other parts immediately if they become damaged, broken, or are otherwise removed.
16. **Tool service should be performed at a Sears Parts and Repair Center** or other qualified service dealer. Service or maintenance performed by unqualified personnel could result in a risk of injury.
17. **Keep all parts of the body away from the saw chain when the chain saw is operating. Before you start the chain saw, make sure the saw chain is not contacting anything.** A moment of inattention while operating chain saws may cause entanglement of your clothing or body with the saw chain.

SAFETY INSTRUCTIONS cont.

SAFETY RULES FOR ELECTRIC POLE SAW/CHAIN SAWS cont.

18. **Always hold the chain saw with your right hand on the rear handle and your left hand on the front handle.** Holding the chain saw with a reversed hand configuration increases the risk of personal injury and should never be done.
19. **Hold the power tool by insulated gripping surfaces only, because the saw chain may contact hidden wiring or its own cord.** Saw chains contacting a "live wire" may make exposed metal parts of the power tool "live" and could give the operator an electric shock.
20. Have all pole saw/chain saw service performed by a qualified service dealer or repair center except the items listed in the **MAINTENANCE** section of this manual.
21. **MAKE CERTAIN** saw chain stops moving when trigger switch is released.
22. **KEEP** the handles dry and clean and free from oil and grease.
23. **KEEP** oil cap and fasteners securely tightened.
24. Nonconforming replacement components or the removal of safety devices may cause damage to the unit and possible injury to the operator or bystanders. **Use only** Craftsman accessories and replacement parts as recommended. **Never** modify your saw.
25. **MAINTAIN** pole saw/chain saw with care.
26. **KEEP** unit sharp and clean for better and safer performance.
27. **FOLLOW INSTRUCTIONS** for lubricating and changing accessories.
28. **UNPLUG** the pole saw/chain saw from the power source when not in use, before servicing, and when changing accessories and attachments, such as saw chain and guard.
29. **CHECK FOR DAMAGED PARTS.** Before further use of the pole saw/chain saw, a guard or other part that is damaged should be carefully checked to determine that it will operate properly and perform its intended function. **CHECK** for alignment of moving parts, binding of moving parts, breakage of parts, mounting and any other conditions that may affect its operation. A guard or other part that is damaged should be properly repaired or replaced by a qualified service dealer or repair center unless otherwise indicated elsewhere in the operator's manual.
30. **WHEN NOT IN USE,** pole saw/chain saws should be stored in a dry, high or locked-up place out of the reach of children.
31. **WHEN STORING POLE SAW/CHAIN SAW,** unplug and use a bar sheath or carrying case.

⚠ WARNING: NEVER reach under the Chain Saw (chain area) until you have unplugged POLE SAW/Chain Saw and the Chain has come to a complete stop. The Chain Saw's chain will continue to rotate for a few seconds after it is switched off.

ADDITIONAL RULES FOR SAFE OPERATION

⚠ WARNING: BE SURE to read and understand all instructions. Failure to follow all instructions listed below may result in electric shock, fire and/or serious personal injury.

1. **ALWAYS wear safety goggles or safety glasses with side shields, and a full-face shield when using this Pole SawChain Saw.** We recommend a Wide Vision Safety Mask for use over eyeglasses or standard safety glasses with side-shield, available at Sears Stores or other Craftsman Outlets.
2. **PROTECT your lungs.** Wear a face mask, dust mask or respirator if the operation is dusty.
3. **PROTECT your hearing.** Wear appropriate personal hearing protection during use. Under some conditions noise from this product may contribute to hearing loss.

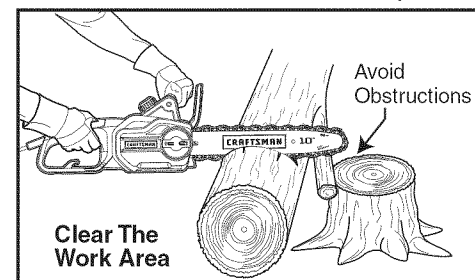
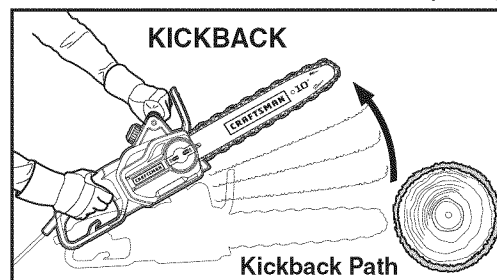
SAFETY INSTRUCTIONS cont.

ADDITIONAL RULES FOR SAFE OPERATION cont.

4. **Wear safety glasses and hearing protection. Further protective equipment for head, hands, legs and feet is recommended.** Adequate protective clothing will reduce personal injury by flying debris or accidental contact with the saw chain.
5. **ALL VISITORS AND BYSTANDERS MUST** wear the same safety equipment that the operator of the tool wears.
6. **ALWAYS check the tool for damaged parts.** Check for misalignment or binding of moving parts, breakage of parts, and any other condition that may affect the tool's operation. Before further use of the tool, a guard or other part that is damaged should be carefully checked to determine if it will operate properly and perform its intended function. A guard or other part that is damaged should be properly repaired or replaced at a qualified service dealer or repair center service dealer.
7. **Always keep proper footing and operate the chain saw only when standing on fixed, secure and level surface.** Slippery or unstable surfaces such as ladders may cause a loss of balance or control of the chain saw.
8. **Use extreme caution when cutting brush and saplings.** The slender material may catch the saw chain and be whipped toward you or pull you off balance.
9. **Follow instructions for lubricating, chain tensioning and changing accessories.** Improperly tensioned or lubricated chain may either break or increase the chance for kickback.
10. **Only use replacement bars and chains specified by the manufacturer.** Incorrect replacement bars and chains may cause chain breakage and/or kickback.
11. **Follow the manufacturer's sharpening and maintenance instructions for the saw chain.** Decreasing the depth gauge height can lead to increased kickback.

⚠ WARNING: Follow all safety rules to help prevent Kickback which can cause serious personal injury.

AVOID KICKBACK AND PULL-IN (Using Chain Saw with or without Pole)



1. **KICKBACK** is the backward, upward or sudden forward motion of the guide bar occurring when the saw chain near the upper tip of the guide bar contacts any object such as a log or branch, or when the wood closes in and pinches chain in the cut. Contacting a foreign object in the wood can also result in loss of chain saw control.
2. **ROTATIONAL KICKBACK** can occur when the moving chain contacts an object at the upper tip of the guide bar. This contact can cause the chain to dig into the object, which stops the chain for an instant. The result is a lightning fast, reverse reaction which kicks the guide bar up and back toward the operator.
3. **PINCH-KICKBACK** can occur when the wood closes in and pinches the moving saw chain in the cut along the top of the guide bar and the saw chain is suddenly stopped. This sudden stopping of the chain results in a reversal of the chain force used to cut wood and causes the saw to move in the opposite direction of the chain rotation. The saw is driven straight back toward the operator.

SAFETY INSTRUCTIONS cont.

ADDITIONAL RULES FOR SAFE OPERATION cont.

AVOID KICKBACK AND PULL-IN cont.

4. **PULL-IN** can occur when the moving chain contacts a foreign object in the wood in the cut along the bottom of the guide bar and the saw chain is suddenly stopped. This sudden stopping pulls the saw forward and away from the operator and could easily cause the operator to lose control of the saw.

CAUSES AND OPERATOR PREVENTION OF KICKBACK:

- Kickback may occur when the nose or tip of the guide bar touches an object, or when the wood closes in and pinches the saw chain in the cut.
- Tip contact in some cases may cause a sudden reverse reaction, kicking the guide bar up and back towards the operator.
- Pinching the saw chain along the top of the guide bar may push the guide bar rapidly back towards the operator.
- Either of these reactions may cause you to lose control of the saw which could result in serious personal injury.
- Do not rely exclusively upon the safety devices built into your saw.
- As a chain saw user, you should take several steps to keep your cutting jobs free from accident or injury.
- **Kickback is the result of tool misuse and/or incorrect operating procedures or conditions** and can be avoided by taking proper precautions as given below:
 - **Maintain a firm grip**, with thumbs and fingers encircling the chain saw handles, with both hands on the saw and position your body and arm to allow you to resist kickback forces. Kickback forces can be controlled by the operator, if proper precautions are taken.
 - **Do not let go of the chain saw.**
 - **Do not overreach and do not cut above shoulder height.** This helps prevent unintended tip contact and enables better control of the chain saw in unexpected situations.

AVOID PINCH-KICKBACK

1. Be extremely aware of situations or obstructions that can cause material to pinch the top of or otherwise stop the chain.
2. Do not cut more than one log at a time.
3. Do not twist the saw as the bar is withdrawn from an undercut when bucking.

AVOID PULL-IN

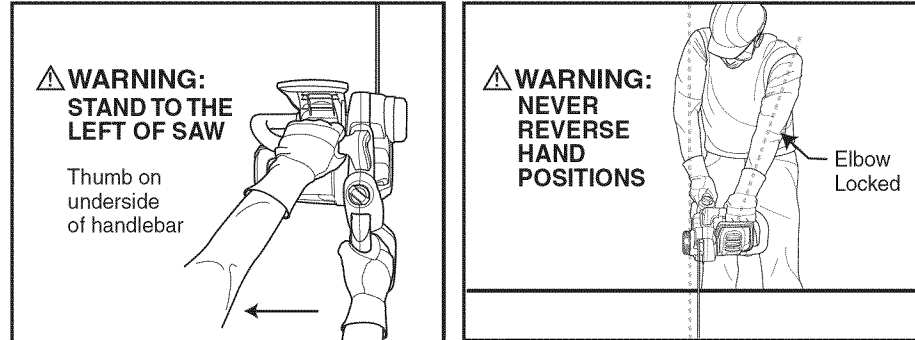
1. Always begin cutting with the saw at full speed and the saw housing against wood.
2. Use wedges made of plastic or wood. Never use metal to hold the cut open.

⚠ WARNING: Follow all safety rules to help prevent Kickback which can cause serious personal injury.

SAFETY INSTRUCTIONS cont.

ADDITIONAL RULES FOR SAFE OPERATION cont.

MAINTAIN CONTROL (When using Chain Saw without Pole)

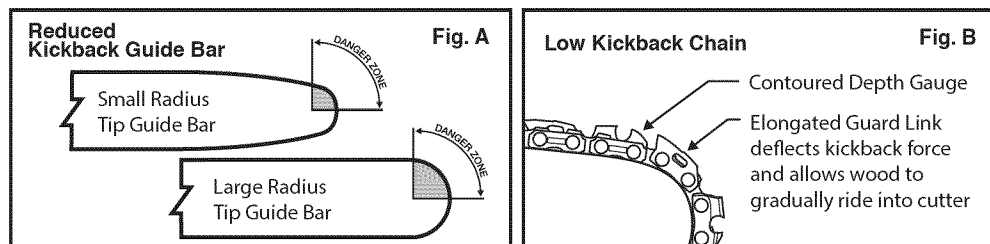


1. A good, firm grip on the saw with both hands will help you maintain control. Don't let go. Grip the rear handle with your right hand whether you are right or left handed. Wrap the fingers of your left hand over and around the front handlebar, and your left thumb under the front handlebar. Keep your left arm straight with the elbow locked.
2. Position your left hand on the front handlebar so it is in a straight line with your right hand on the rear handle when making bucking cuts. Stand slightly to the left side of the saw to keep your body from being in a direct line with the cutting chain.
3. Stand with your weight evenly balanced on both feet.
4. Do not overreach. You could be drawn or thrown off balance and lose control.
5. Do not cut above shoulder height. It is difficult to maintain control of saw above shoulder height.

KICKBACK SAFETY FEATURES

WARNING: The following features are included on your saw to help reduce hazard of kickback; however, such features will not totally eliminate this danger. Do not rely only on safety devices. Follow all safety rules to help avoid kickback and other forces which can result in serious injury.

1. **Hand Guard:** designed to reduce the chance of your left hand contacting the chain if your hand slips off the front handlebar.
2. **Position of Front and Rear Handle Bars AVOID KICKBACK:** designed with distance between handles and "in-line" with each other. The spread and "in-line" position of the hands provided by this design work together to give balance and resistance in controlling the pivot of the saw back toward the operator if kick back occurs.
3. **Reduced-Kickback Guide Bar:** designed with a small radius tip which reduces the size of the kickback danger zone on the bar tip, see Fig. A below. This type of bar has been demonstrated to significantly reduce the number and seriousness of kickbacks when tested in accordance with ANSI B175.1.



12

SAFETY INSTRUCTIONS cont.

ADDITIONAL RULES FOR SAFE OPERATION cont.

KICKBACK SAFETY FEATURES cont.

4. **Low Kickback Chain** has met kickback performance requirements when tested on the representative sample of these chain saws specified in ANSI B175.1. See Fig. B, pg.12.

UNPACKING

1. The **Chain Saw** comes fully assembled, including the **Chain/Chain Bar Assembly**.
2. Remove the **Chain Saw** from the carton. Inspect your Chain Saw.
3. Do not discard box or packing material until all parts are examined.
4. Remove **Plastic Protective Chain and Bar Cover** before use.

NOTE: Chain and Bar Oil is not included. **BEFORE** using this Chain Saw, do not forget to purchase Craftsman Bar & Chain Oil, SAE30.

WARNING: If any part of the Chain Saw is missing or damaged, do not connect the Chain Saw to the power source until the damaged part is repaired or replaced.

13

DESCRIPTION

KNOW YOUR CHAIN SAW

NOTE: Before attempting to use this product, familiarize yourself with all operating features and safety rules.

Your Chain Saw has a precision built electric motor and it should only be connected to a **120-volt, 60 Hz AC ONLY** power supply (normal household current). The electric Pole Saw/Chain Saw should always be used with a GFCI (Ground Fault Circuit Interrupter) outlet.

DO NOT operate this Pole Saw/Chain Saw on direct current (DC). The large voltage drop would cause a loss of power and the motor would overheat.

If the Chain Saw does not operate when plugged into correct 120-volt, 60 Hz AC ONLY outlet, check the power supply. The Chain Saw comes with an electric plug and should be plugged into a proper extension cord.

POLE SAW/CHAIN SAW FEATURES: TECHNICAL DATA:

- | | |
|---|---|
| • Power: 1.5 HP, 9 Amp motor. | • Voltage: 120V/60Hz |
| • Bar length: 10" | • Rated power: 1.5 HP, 9 Amp |
| • Automatic lubrication system | • Bar length: 10" |
| • Tool-less chain tension | • Oil tank capacity: 120ml |
| • Tool-less blade change | • Chain Speed: 8.5 m/s |
| • Oil tank with visible gauge | • Chain pitch: 3/8" |
| • Oregon® chain and bar | • Number of chain links: 40 |
| • Front bumper | • Chain gauge: 0.05" |
| • Weight 9.93 LBS
(when filled with oil) | • Saw chain type: Oregon®, 40pitches (91PX040X) |
| • Pole (with extension) | • Bar type: Oregon®, 10" (100SDEA041) |
| | • SAW: Weight (chain & bar included): 9.7 lbs |
| | • Protection class: □ / II |

POLE SAW/CHAIN SAW CALL-OUTS (See Figures 1 and 2 on page 15)

SAW List

- | | |
|---------------------------|--|
| 1. Rear Handle | 12. Chain Cover |
| 2. On/Off Switch | 13. Extension Cord Holder |
| 3. Lock-Off Button | 14. Rear Hand Guard |
| 4. Oil Level Window | 15. Drive Sprocket |
| 5. Oil Filler Cap | 16. Chain Direction Symbol |
| 6. Front Handle | 17. Oil Outlet |
| 7. Hand Guard | 18. Bar Clamp |
| 8. Bumper Spike | 19. Fastening Bar Bolt |
| 9. Guide Bar | 20. Bar Locating Tabs |
| 10. Chain | 21. Bar And Chain Storage/Transportation Cover |
| 11. Chain Tensioning Knob | 22. Bar Tensioning Plate |

POLE List

- | | |
|---------------------------|--------------------|
| 23. Extension pole handle | 27. Handle bracket |
| 24. Locking collar | 28. Knob |
| 25. Receptacle cord | 29. Clamping lever |
| 26. Inner pole | |

DESCRIPTION cont.

KNOW YOUR CHAIN SAW cont.

CHAIN SAW CALL-OUTS cont. (Figures 1 and 2)

Fig 1.

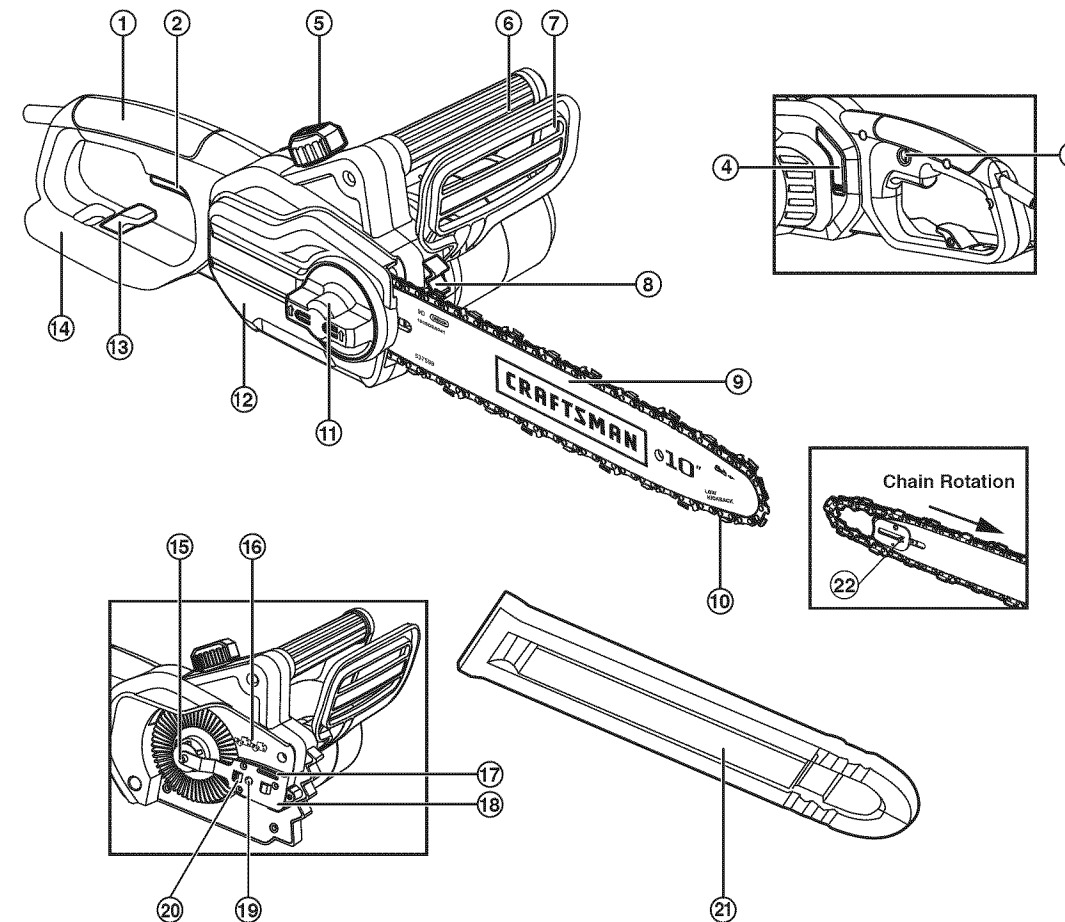
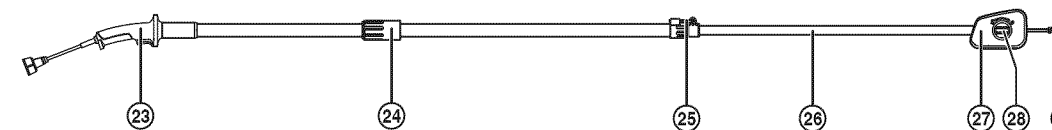


Fig 2.



ASSEMBLY & ADJUSTMENTS

INTENDED USE

The pole saw/chain saw is intended for wood: sawing of trees, tree trunks, branches, wooden beams, planks, etc. Cuts can be sawed with or across the grain. This product is not suitable for sawing mineral materials, plastics or non-wood building materials.

ASSEMBLY

⚠ WARNING: Do not connect the chain saw to extension cord and power source before it is completely assembled. Always use gloves when handling the chain.

CHAIN AND CHAIN BAR ASSEMBLY/REPLACEMENT

(See Figs. 3a, 3b, 3c, 3d, 3e and Pgs 14-15 for part reference)

1. Place the chain saw on any suitable flat surface.
2. Slide the Chain (10) in the slot around the Guide Bar (9). Ensure the Chain is in correct running direction by comparing it to the Chain Direction Symbol (16) found on the saw body. Ensure the Bar Tensioning Plate (22) is facing outwards. (Fig. 3a).
3. Fit the Chain onto the Drive Sprocket (15), so that the Fastening Bar Bolt (19) and the two Bar Locating Tabs (20) on the Bar Clamp (18) fit into the keyway of the opening on the Guide Bar (9), (See Fig. 3b).

Fig. 3a

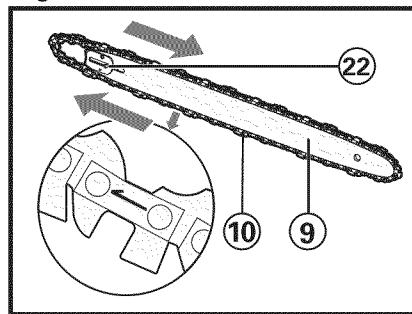
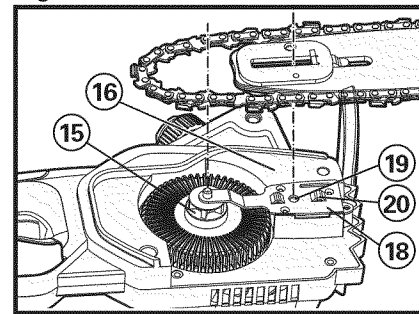


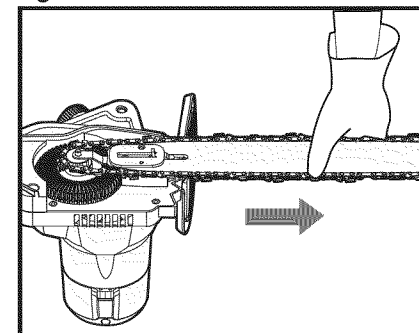
Fig. 3b



⚠ WARNING: The chain is not yet tensioned. Tensioning the chain applies as described under "TENSIONING CHAIN". The chain now needs to be inspected to make sure it is properly tensioned.

4. Check to make sure all parts are seated properly and hold chain and guide bar in a level position. (See Fig. 3c)
5. Fit the Chain Cover (12) (pg. 15, Fig. 1), and tighten the Chain Cover by turning the Chain Tensioning Knob (11) clockwise until it is tight. (pg. 15, Fig. 1),

Fig. 3c



16

ASSEMBLY & ADJUSTMENTS cont.

CHAIN AND CHAIN BAR ASSEMBLY/REPLACEMENT cont.

6. Press the cover plate firmly onto the machine and screw on the cover plate (12) with the locking knob (11). (See Fig. 3d)

NOTE: New saw chains will stretch. Check the chain tension frequently when first used and tighten when the Chain (10) becomes loose around the Guide Bar (9). (See Fig. 3e)

TENSIONING CHAIN/LOCKING KNOB

Always check the chain tension before use, after the first cuts and regularly during use. Upon initial operation, new chains can lengthen considerably.

⚠ WARNING: Unplug chain saw from power source before adjusting saw chain tension.

⚠ WARNING: Cutting edges on chain are sharp. Use protective gloves when handling chain.

⚠ WARNING: ALWAYS Maintain proper chain tension. A loose chain will increase the risk of kickback. A loose chain may jump out of guide bar groove. This may injure operator and damage chain. A loose chain will cause chain, chain bar, and sprocket to wear rapidly. The chain life of the saw chain mainly depends upon sufficient lubrication and correct tensioning. Avoid tensioning the chain if it is hot, as this will cause the chain to become over tensioned when it cools down.

1. Place the chain saw on any suitable flat surface.
2. Turn the Chain Tensioning Knob (11) clockwise until it is hand tight. The tension is automatically set while the Chain Tensioning Knob is being tightened. The ratchet mechanism prevents the chain tension from loosening.
3. Double check the tension set by the automatic Chain Tensioning Knob. The correct chain tension is reached when the Chain (10) can be raised approx. 0.12–0.24" (3-6mm) from the Guide Bar (9) in the center. This should be done by using one hand to raise the chain against the weight of the machine. (See Fig. 4)

4. The Chain will stretch from use and lose proper tension. To turn knob counter clockwise (3x), secure the chain cover, and retension the chain simply repeat steps 1 - 3 listed above.

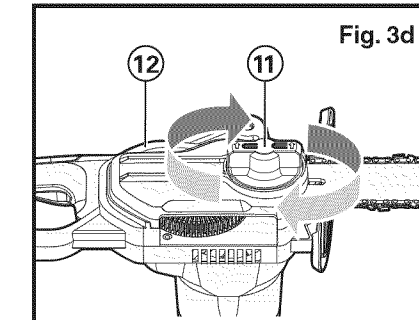
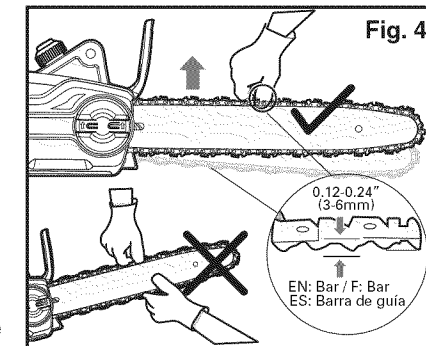
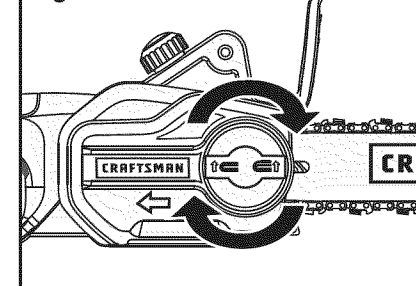


Fig. 3e



17

ASSEMBLY & ADJUSTMENTS cont.

LUBRICATION

CAUTION: The chain saw is **NOT** supplied filled with oil. It is essential to fill with oil before use. Never operate the chain saw without chain oil or at an empty oil tank level, as this will result in extensive damage to the product. Chain life and cutting capacity depends on optimum lubrication. Therefore, the chain is automatically oiled during operation via oil outlet

Filling oil tank: (See Figs. 5a and 5b)

1. Set chain saw on any suitable surface with oil filler cap facing upward.
2. Clean area around the Oil Filler Cap with cloth and unscrew the cap by turning it counter clockwise.
3. Add bar and chain oil (Craftsman Bar & Chain Oil, SAE30) until reservoir is full.
4. Avoid dirt or debris entering oil tank, re-screw oil filler cap and tighten.

Fig. 5a

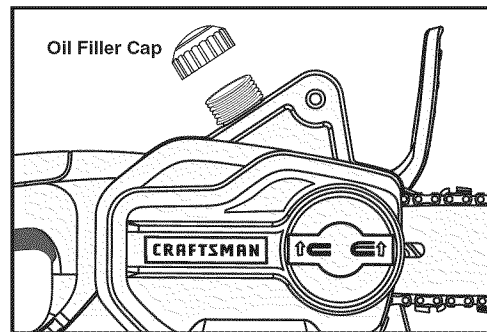
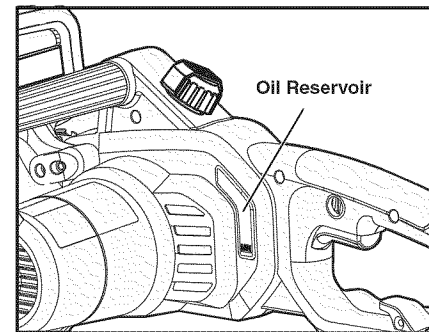


Fig. 5b



CAUTION: To allow venting of the oil reservoir, small breather channels are provided between the oil filler cap and the strainer. To prevent leakage, ensure machine is left in a horizontal position (oil filler cap uppermost) when not in use. It is important to use only the recommended oil to avoid damage to the chain saw. Never use recycled/old oil. Use of non approved oil will invalidate the warranty.

Checking the Automatic Oiler

Proper functioning of the automatic oiler can be checked by running the chain saw and pointing the tip of the Guide chain bar (7) towards a piece of cardboard or paper on the ground. If an increasing oil pattern develops on the cardboard, the automatic oiler is operating fine. If there is no oil pattern, despite a full oil reservoir, contact customer service agent or approved service agent.

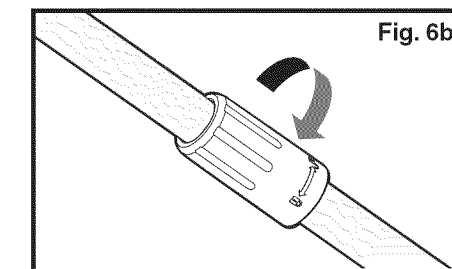
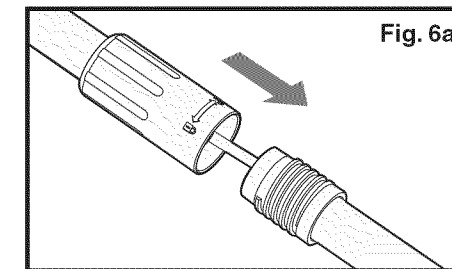
Caution: Do not touch the ground with the chain. Ensure safety clearance of 12".

ASSEMBLY & ADJUSTMENTS cont.

ASSEMBLING THE EXTENSION POLE

Align and insert the handle of extension pole into the shaft. Rotate the locking collar clockwise to lock. (See Figs. 6a and 6b)

Note: Make sure that the shaft is firmly locked in place.

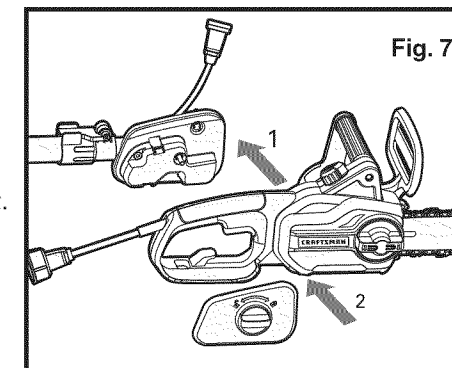


ASSEMBLING THE EXTENSION POLE TO THE MACHINE

1. Insert the pole bracket into the saw. (See Fig. 7)

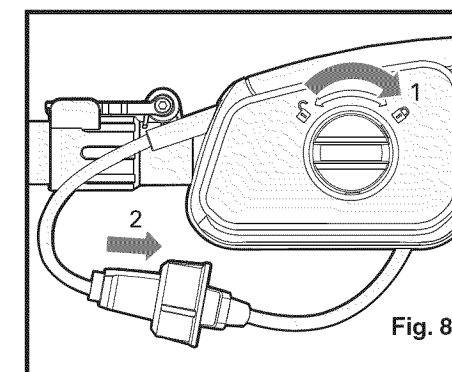
Note: Pole bracket holds trigger in "ON" position.

2. Slide the handle bracket onto clamping bolt.
3. Screw the knob tightly.
4. Plug saw power cord into receptacle cord at end of inner pole. (See Fig. 8)



WARNING: • Before attaching the power cord of the machine to the power cord of the Extension Pole, make sure that the tool is switched off and unplugged from the power supply. • When using this machine with the Extension Pole, make sure to first attach the power cord of the machine to the power cord of the extension pole, and then attach the power cord of the extension pole to power supply. • **ELECTROCUTION HAZARD:**

Never use the Saw or Extension Pole in an area with overhead power lines or where the branch being cut can come into contact with overhead power lines.



ASSEMBLY & ADJUSTMENTS cont.

ADJUSTING POLE LENGTH

The pole saw has a telescoping pole assembly that will extend from 89.7 inches (fully retracted) to 119.4 inches (fully extended).

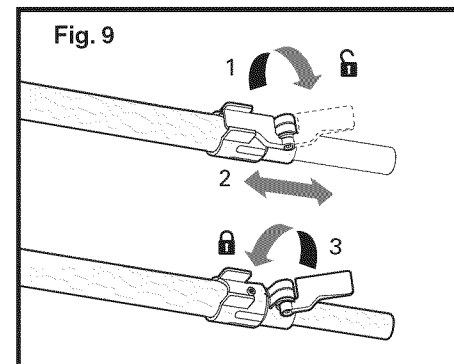
A cam levered collet is used to hold the pole in position at any extended length.

1. To extend the pole, loosen the clamping lever as shown in Fig. 9. Pole will slide freely.

2. Pull inner pole section out to desired length of extension.

Note: only extend pole to minimum length required to reach limb that is being cut.

3. To lock pole in position, tighten clamping lever as shown in Fig. 9.



OPERATION

POWER ON/OFF

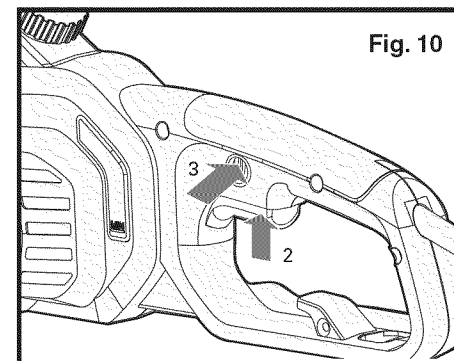
1. Switching on and off (See Fig. 10)

⚠ ATTENTION: Check the voltage and current supply: The voltage and current supply must comply with the ratings on the product plate.

For **switching on the tool**, press the Lock-off Button (3), then fully press the On/Off Switch (2) and hold in this position.

The Lock-Off Button can now be released.

For **switching off**, release the On/Off Switch.



OPERATION cont.

CUTTING WITH CHAINSAW

⚠ IMPORTANT: Be sure the oil reservoir is filled. Check the Oil Level Window (see Fig. 11) prior to starting and regularly during operation. Refill oil when oil level is low. A full oil tank will last approx. 12 minutes depending on sawing intensity and stops. Check recent replaced chain tension about every 10 minutes during operation.

1. **Connect saw to extension cord.**

Connect extension cord to power supply. (See Fig. 12)

2. Make sure section of log to be cut is not laying on the ground. This will keep the chain from touching the ground as it cuts through the log. Touching the ground while the Chain is moving is dangerous and will dull the Chain.

3. Use both hands to grip saw. Always use left hand to grip **Front Handle** and right hand to grip **Rear Handle**. Use a firm grip. Thumbs and fingers must wrap around saw handles (See Fig. 13).

4. Make sure your footing is firm. Keep shoulder width feet apart. Divide your weight evenly on both feet.

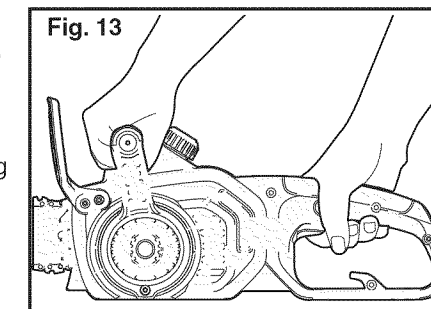
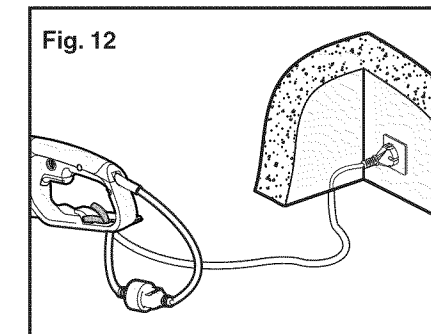
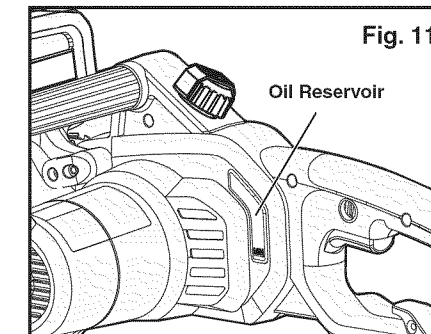
5. When ready to make a cut, push the Lock-off Button (3) completely in with the right thumb and squeeze the trigger. This will turn saw on. Releasing the trigger will turn the saw off. Make sure the saw is running at full speed before starting a cut.

6. When starting a cut, slowly place moving chain against the wood. Hold saw firmly in place to avoid possible bouncing or skating (sideways movement) of saw.

7. Guide the saw using light pressure and do not put excessive force on the saw. The motor will overload and can burn out. It will do the job better and safer at the rate for which it was intended.

8. Remove the saw from a cut with the saw running at full speed. Stop the saw by releasing the On/off Switch (2). Make sure the chain has stopped before setting the saw down.

9. Keep practicing on scrap logs in a secure working area until you get the hang of it and can saw with ease, using a fluid motion and a steady cutting rate.



OPERATION cont. CUTTING WITH CHAINSAW cont.

KICKBACK SAFETY DEVICES ON THIS SAW
(see also pages 10 and 11 for details)

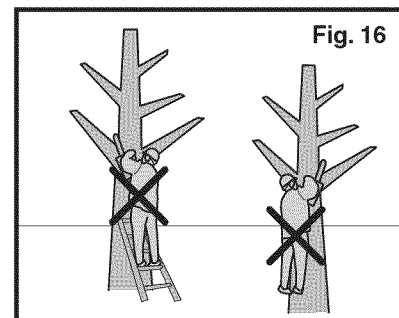
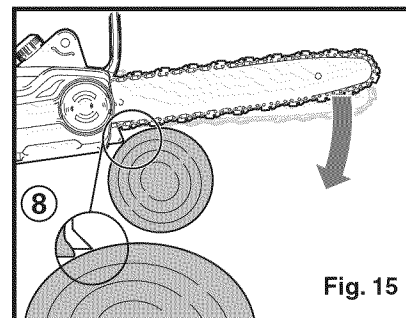
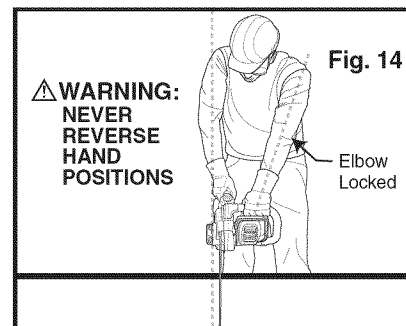
This saw has a low-kickback chain and reduced kickback Guide Bar. Both items reduce the chance of kickback. However, kickback can still occur with this saw.

The following steps will reduce the risk of kickback.

- Use both hands to grip saw while saw is running. Use firm grip. Thumbs and fingers must wrap around saw handles.
- Keep all safety items in place on saw. Make sure they work properly.
- Do not overreach or cut above shoulder height.
- Keep solid footing and balance at all times.
- Stand slightly to left side of saw. This keeps your body from being in direct line with chain.
- Do not let Guide Bar nose touch anything when chain is moving.
- Never try cutting through two logs at same time. Only cut one log at a time.
- Do not bury the Guide Bar nose or try plunge cut (boring into wood using Guide Bar nose).
- Watch for shifting of wood or other forces that may pinch chain.
- Use extreme caution when reentering a previous cut.
- Use only the low-kickback chain and Guide Bar (9) that were supplied with this chain saw.
- Never use a dull or loose chain. Keep chain sharp with proper tension.

HOW TO USE SAW SAFELY

1. Use the chain saw only with secure footing.
2. Hold the chain saw at the right-hand side of your body (See Fig. 14).
3. The Chain must be running at full speed before it makes contact with the wood.
4. Use the Bumper Spikes (8) to secure the saw onto the wood before starting to cut.
5. Use the Bumper Spikes as a leverage point while cutting. (See Fig. 15)
6. Do not operate the chain saw with arms fully extended, attempt to saw areas which are difficult to reach, or stand on a ladder while sawing (see Fig. 16).



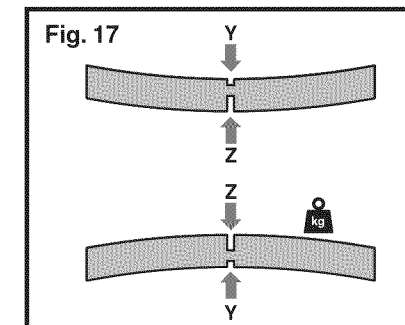
NOTE: Never use the chain saw above shoulder height

OPERATION cont. CUTTING WITH CHAINSAW cont.

CUTTING WOOD UNDER TENSION (See Fig. 17)

⚠ WARNING: When cutting a limb that is under tension, use extreme caution. Be alert for wood springing back. When wood tension is released, limb could spring back and strike operator causing severe injury or death.

When sawing logs supported on both ends, start the cut from above (Y) about 1/3 of the diameter into the log and then finish the cut (Z) from below, in order to avoid contact of the chain saw with the ground. When sawing logs supported on only one end, start the cut from below (Y) about 1/3 of the diameter into the log and finish the cut from above (Z) in order to avoid log splitting or jamming of the chain saw.



INSTRUCTIONS CONCERNING THE PROPER TECHNIQUES FOR BASIC FELLING, LIMBING, AND CROSS-CUTTING (see Figures A, B, C, D, E and F)

1. Felling a tree

When bucking and felling operations are being performed by two or more persons at the same time, the felling operations should be separated from the bucking operation by a distance of at least twice the height of the tree being felled. Trees should not be felled in a manner that would endanger any person, strike any utility line or cause any property damage. If the tree does make contact with any utility line, the company should be notified immediately. The chain saw operator should keep on the uphill side of the terrain as the tree is likely to roll or slide downhill after it is felled.

An escape path should be planned and cleared as necessary before cuts are started. The escape path should extend back and diagonally to the rear of the expected line of fall as illustrated in **Figure A. on pg. 24.**

Before felling is started, consider the natural lean of the tree, the location of larger branches and the wind direction to judge which way the tree will fall.

Remove dirt, stones, loose bark, nails, staples and wire from the tree.

2. Notching undercut

Make the notch 1/3 the diameter of the tree, perpendicular to the direction of falls as illustrated in **Figure A. on pg. 24.** Make the lower horizontal notching cut first. This will help to avoid pinching either the saw chin or the guide bar when the second notch is being made.

3. Felling back cut

Make the felling back cut at least 50 mm higher than the horizontal notching cut as illustrated in **Figure A. on pg. 24.** Keep the felling back cut parallel to the horizontal notching cut. Make the felling back cut so enough wood is left to act as a hinge. The hinge wood keeps the tree from twisting and falling in the wrong direction. Do not cut through the hinge.

OPERATION cont.

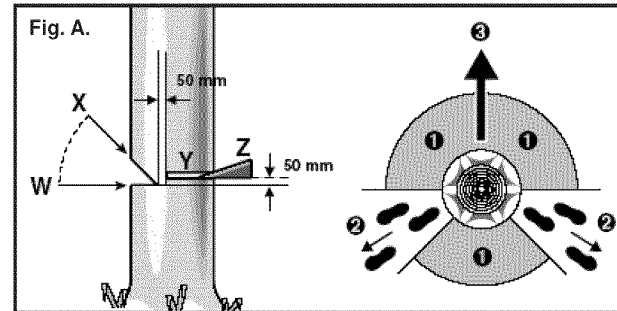
CUTTING WITH CHAINSAW cont.

INSTRUCTIONS CONCERNING THE PROPER TECHNIQUES FOR BASIC FELLING, LIMBING, AND CROSS-CUTTING (see Figures A, B, C, D, E and F) cont.

3. Felling back cut cont.

As the felling gets close to the hinge, the tree should begin to fall.

If there is any chance that the tree may not fall in desired direction or it may rock back and bind the saw chain, stop cutting before the felling back cut is complete and use wedges of wood, plastic or aluminium to open the cut and drop the tree along the desired line of fall.

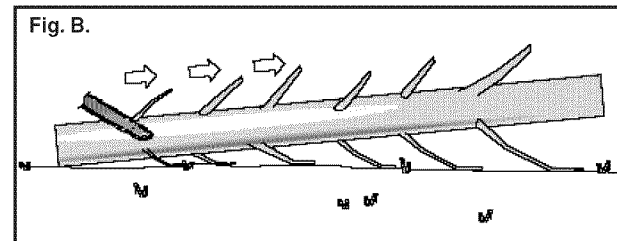


When the tree begins to fall remove the chain saw from the cut, stop the motor, put the chain saw down, then use the retreat path planned.

Be alert for overhead limbs falling and watch your footing.

4. Limbing a tree

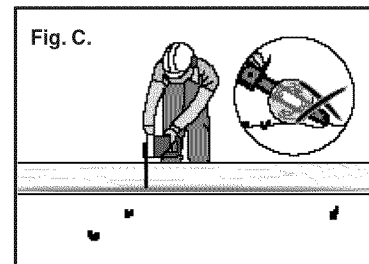
Limbing is removing the branches from a fallen tree. When limbing leave larger lower limbs to support the log off the ground. Remove the small limbs in one cut as illustrated in Fig. B. Branches under tension should be cut from the bottom up to avoid binding the chain saw.



5. Bucking a log

Bucking is cutting a log into lengths. It is important to make sure your footing is firm and your weight is evenly distributed on both feet. When possible, the log should be raised and supported by the use of limbs, logs or chocks.

Follow the simple directions for easy cutting. When the log is supported along its entire length as illustrated in Fig. C., it is cut from the top (overbuck).



OPERATION cont.

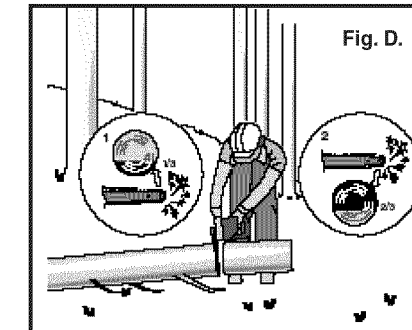
CUTTING WITH CHAINSAW cont.

INSTRUCTIONS CONCERNING THE PROPER TECHNIQUES FOR BASIC FELLING, LIMBING, AND CROSS-CUTTING (see Figures A, B, C, D, E and F) cont.

Bucking a log cont.

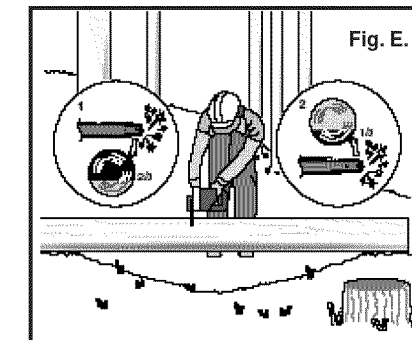
When the log is supported on one end, as illustrated in Fig. D., cut 1/3 the diameter from the underside (underbuck).

Then make the finished cut by overbucking to meet the first cut.



When the log is supported on both ends, as illustrated in Fig. E, cut 1/3 the diameter from the top (overbuck).

Then make the finished cut by underbucking the lower 2/3 to meet the first cut.

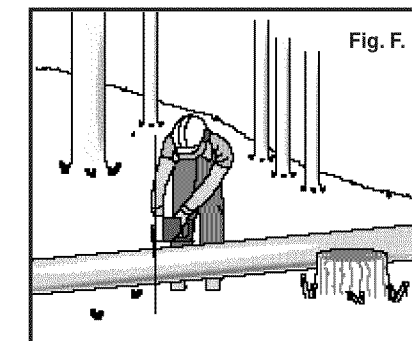


When bucking on a slope always stand on the uphill side of the log, as illustrated in Fig. F.

When "cutting through", to maintain complete control release the cutting pressure near the end of the cut without relaxing your grip on the chain saw handles. Don't let the chain contact the ground.

After completing the cut, wait for the saw chain to stop before you move the chain saw.

Always stop the motor before moving from tree to tree.

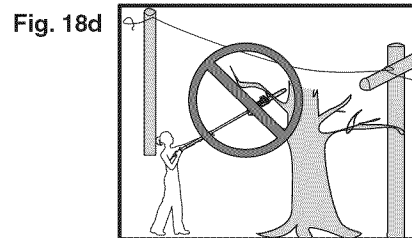
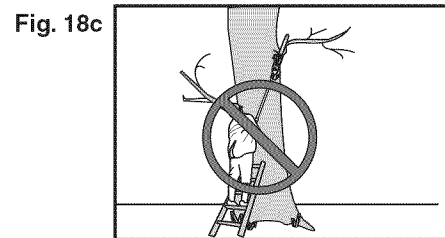
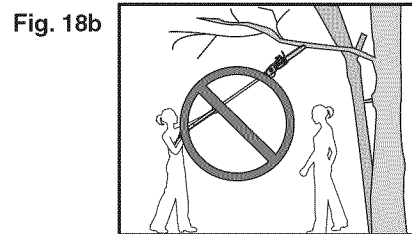
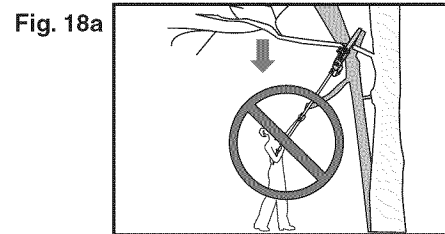


OPERATION FOR POLE SAW

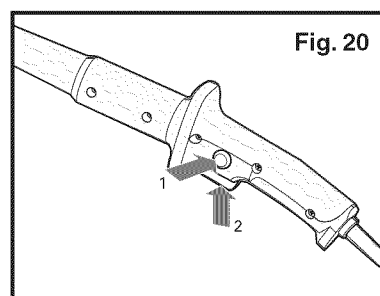
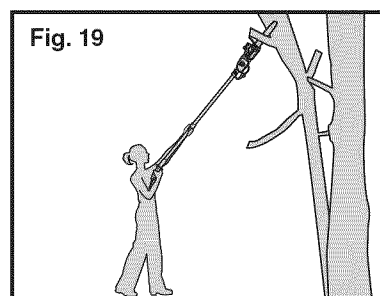
Cutting with extension pole

1. Connect saw to extension cord. Connect extension cord to power supply. Before cutting a high branch, consider all the same points detailed in the previous section but pay particular attention to the likely path of the falling branch.

⚠ WARNING: Do not stand directly below a branch being cut. Keep bystanders far away. Do not stand on a ladder or other type of unstable support while using the tool. Do not use the tool near cable, electrical power or telephone lines. Keep 10 ft (3m) away from all power lines. (See Figs. 18a, b, c, and d)



2. Use both hands to grip Pole Saw. Use only designated grip areas when operating Pole Saw (See Fig. 19). Use firm grip. Thumbs and fingers must wrap around Pole Saw handle and pole.
3. Make sure your footing is firm. Keep feet apart. Divide your weight evenly on both feet.
4. When ready to make a cut, press the Lock-off Button, then fully press the On/off Switch (See Fig. 20). This will turn Pole Saw on. Releasing On/off Switch will turn Pole Saw off. Make sure saw is running at full speed before starting a cut.
5. When starting a cut, place moving chain against wood. Hold Pole Saw firmly in place to avoid possible bouncing or skating (sideways movement) of saw.
6. Guide Pole Saw using light pressure. Do not force Pole Saw. The motor will overload and can burn out. It will do the job better and safer at the rate for which it was intended.
7. Remove Pole Saw from a cut with saw running at full speed. Stop Pole Saw by releasing trigger. Make sure chain has stopped before setting Pole Saw down.



26

OPERATION FOR POLE SAW cont.

TRIMMING A TREE (PRUNING)

⚠ WARNING: Avoid kickback. Kickback can result in severe injury or death. See Kickback, to avoid risk of kickback.

⚠ WARNING: Do not operate Pole Saw while: • in a tree • on a ladder or any other unstable surface • in any awkward position
YOU MAY LOSE CONTROL OF POLE SAW CAUSING SEVERE INJURY.

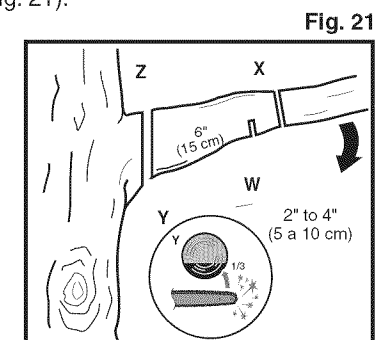
⚠ WARNING: Do not extend arms above shoulders when using Pole Saw.

⚠ CAUTION: Seek professional help if facing conditions beyond your ability.

Trimming a tree is the process of cutting limbs from a living tree. Make sure your footing is firm. Keep feet apart. Divide your weight evenly on both feet.

Follow directions below to trim a tree.

1. Make first cut six inches from tree trunk on underside of limb. Use top of guide bar to make this cut. Cut 1/3 through diameter of limb (See Fig. 21).
2. Move two to four inches farther out on limb. Make second cut from above limb. Continue cut until you cut limb off.
3. Make third cut as close to tree trunk as possible on underside of limb stub. Use top of guide bar to make this cut. Cut 1/3 through diameter of stub.
4. Make fourth cut directly above third cut. Cut down to meet third cut. This will remove limb stub.



SAW MAINTENANCE

Follow maintenance instructions in this manual. Proper cleaning of saw and chain and Guide Bar maintenance can reduce chances of kickback. Inspect and maintain saw after each use. This will increase the service life of your saw.

Note: Even with proper sharpening, risk of kickback can increase with each sharpening.

MAINTENANCE AND STORAGE OF CHAIN SAW

If the replacement of the supply cord is necessary, this has to be done by the manufacturer or his agent in order to avoid a safety hazard.

1. Unplug chain saw from power source
 - When not in use
 - Before moving from one place to another
 - Before servicing
 - Before changing accessories or attachments, such as saw chain and guard
2. Inspect chain saw before and after each use. Check saw closely if guard or other part has been damaged. Check for any damage that may affect operator safety or operation of saw. Check for alignment or binding of moving parts. Check for broken or damaged parts. Do not use chain saw if damage affects safety or operation. Have damage repaired by authorized service center.

27

MAINTENANCE AND STORAGE OF CHAIN SAW cont.

3. Maintain chain saw with care.
 - Never expose saw to rain.
 - Keep chain sharp, clean, and lubricated for better and safer performance.
 - Follow steps outlined in this manual to sharpen chain.
 - Keep handles dry, clean, and free of oil and grease.
 - Keep all screws and nuts tight.
 - Inspect power cord often. If damaged, have repaired by authorized service center.
 - Never carry chain saw by power cord.
 - Never yank power cord to unplug it.
 - Keep power cord from heat, oil, and sharp edges.
 - Inspect extension cords often and replace if damaged.
4. When servicing, use only identical replacement parts.
5. When not in use, always store chain saw
 - in a high or locked place, out of children's reach
 - in a dry place

BAR MAINTENANCE

To maximize bar life, the following bar maintenance is recommended.

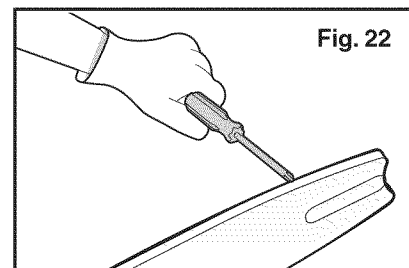
The bar rails that carry the chain should be cleaned before storing the tool or if the bar or chain appear to be dirty.

The rails should be cleaned every time the chain is removed.

Turn the bar over, top rail becoming bottom and bottom rail becoming top, around every 5 hours of use.

TO CLEAN THE BAR RAILS:

1. Remove chain cover and bar and chain. (see section ASSEMBLY)
2. Using a wire brush, screwdriver or similar tool, clear the residue from the inner groove of the bar. (See Fig. 22)
3. Make sure to clean oil passages thoroughly.



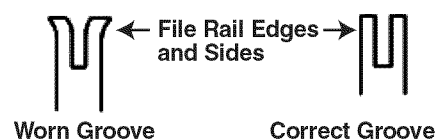
CONDITIONS WHICH REQUIRE GUIDE BAR MAINTENANCE

- Saw cuts to one side or at an angle.
 - Saw has to be forced through the cut.
 - Inadequate supply of oil to the bar and chain.
- Check the condition of the Guide Bar each time the chain is sharpened.

A worn Guide Bar will damage the chain and make cutting difficult. After each use, with unit disconnected from power source, clean all sawdust from the Guide Bar and sprocket hole.

Replace the Guide Bar when the groove is worn, the Guide Bar is bent or cracked, or when excess heating or burring of the rails occurs. If replacement is necessary, use only the Guide Bar specified for your saw in the repair parts list or on the decal located on the chain saw.

When rail top is uneven, use a flat file to restore square edges and sides.



MAINTENANCE AND STORAGE OF CHAIN SAW cont.

REPLACING BAR & CHAIN

Replace chain when cutters are too worn to sharpen or when chain stops. Only use replacement chain noted in this manual.

Always include new Drive Sprocket (call-out 15 on Fig.1), when replacing chain. This will maintain proper driving of chain.

Inspect Guide Bar before replacing chain.

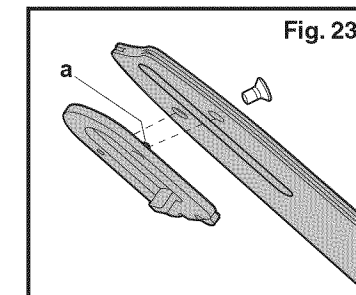
A worn or damaged Guide Bar is unsafe.

A worn or damaged Guide Bar will damage chain.

It will also make cutting harder.

Fit the Bar Tensioning Plate catch (call-out 22 on Fig.1) into the new bar by tightening the screw clockwise.

The catch protrude (a) must be fitted into the bar hole. (See Fig. 23)



SHARPENING SAW CHAIN

⚠ WARNING: Unplug chain saw from power source before servicing. Severe injury or death could occur from electrical shock or body contact with moving chain. Cutting edges on chain are sharp. Use protective gloves when handling chain.

Keep chain sharp. Your saw will cut faster and more safely.

A dull chain will cause undue sprocket, Guide Bar, chain, and motor wear.

If you must force chain into wood and cutting creates only sawdust with few large chips, chain is dull.

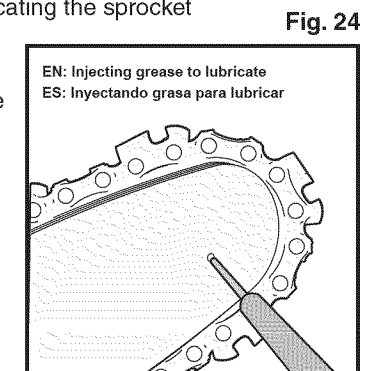
LUBRICATE SPROCKET

⚠ WARNING: Wear heavy duty gloves when performing any maintenance or service to this tool. Always unplug the tool before performing any service or maintenance on this tool.

Note:

It is not necessary to remove the chain or bar when lubricating the sprocket

1. Clean the bar and sprocket.
2. Using a grease gun, insert the tip of the gun into the lubrication hole and inject grease until it appears at the outside edge of the sprocket tip. (See Fig. 24)
3. To rotate the sprocket release the chain stop and pull the chain by hand until the ungreased side of the sprocket is in line with the grease hole. Repeat the lubrication procedure.



TROUBLE SHOOTING

The following table gives checks and actions that you can perform if your machine does not operate correctly. If these do not identify/remedy the problem, contact your service agent.

WARNING: Switch off and remove plug from mains before investigating fault.

SYMPTOM	POSSIBLE	CAUSE
Chain saw fails to operate	No power Mains socket faulty Extension cord damaged	Check power Use another socket Check cord, replace
Chain saw operates intermittently	Extension cord damaged Loose connection Internal wiring defective On/Off defective	Check cord, replace Contact service agent Contact service agent Contact service agent
Dry chain	No oil in reservoir Vent in oil filler cap clogged Oil passage clogged	Refill oil Clean cap Clean oil passage outlet
Chain/chain bar overheats	No oil in reservoir Vent in oil filler cap clogged Oil passage clogged Chain is over tensioned Dull chain	Refill oil Clean cap Clean oil passage outlet Adjust locking knob Sharpen chain or replace
Chain saw rips, vibrates, does not saw properly	Chain tension too loose Dull chain Chain worn out Chain teeth are facing in the wrong direction	Adjust locking knob Sharpen chain or replace Replace chain Reassemble with chain in correct direction

NEED MORE HELP?

You'll find the answer and more on managemyhome.com – for free!

- Find this and all your other product manuals online.
- Get answers from our team of home experts.
- Get a personalized maintenance plan for your home.
- Find information and tools to help with home projects.

manage my home

brought to you by Sears

PARTS LIST

The model number will be found on the nameplate of the Pole Saw/Chain Saw. Always mention the model number when requesting parts and service for your tool. To order parts, call 1-800-469-4663

9 Amp/1.5 Peak HP Motor Electric Adjustable Pole Saw/Chain Saw

Model No. 172.43983 10-In. Bar

Position No.	Parts No.	Part Description	Qty.
1	GCS250U-1	Protect Plate	1
2	GCS250U-2	Self tapping screw	15
3	GCS250U-3	Motor Cover	1
5	GCS250U-5	Tortile spring	2
6	GCS250U-6	Carbon Brush(pair)	1
7	GCS250U-7	Rear bracket	1
8	GCS250U-8	Stator	1
9	GCS250U-9	Left Housing	1
11	GCS250U-11	Bearing	1
12	GCS250U-12	Rotor	1
13	GCS250U-13	Ring	1
15	GCS250U-15	Oil Exit	2
16	GCS250U-16	Front Bracket Body	1
20	GCS250U-20	Tighten Bolt	1
22	GCS250U-22	Pinion	1
23	GCS250U-23	Washer	1
24	GCS250U-24	Retaining Ring	1
26	GCS250U-26	Oil Bottle Cap	1
28	GCS250U-28	Duck Bill	1
29	GCS250U-29	Oil Bottle	1
30	GCS250U-30	Big Gear	1
31	GCS250U-31	Bearing	2
32	GCS250U-32	Washer	1
33	GCS250U-33	Bar Spacer	1
34	GCS250U-34	Self Tapping Screw	3
35	GCS250U-35	E-ring	1
36	GCS250U-36	Self Tapping Screw	1
37	GCS250U-37	Guide Bar	1
38	GCS250U-38	Right Housing	1
39	GCS250U-39	Press Block	1
40	GCS250U-40	Saw Chain	1
41	GCS250U-41	Retaining Ring	1
42	GCS250U-42	Bush	1
43	GCS250U-43	Cam	1
44	GCS250U-44	self tapping screw	2
45	GCS250U-45	Flange	1
46	GCS250U-46	Chain Guard	1
47	GCS250U-47	Compression Spring	1
48	GCS250U-48	Tension Wheel	1
49	GCS250U-49	Bolt	1
50	GCS250U-50	Knob Body	1
51	GCS250U-51	Inner Wire	1
52	GCS250U-52	Inner Wire	1
53	GCS250U-53	Micro Piece	2
54	GCS250U-54	Cord & Plug	1
56	GCS250U-56	Blade Sheath	1
57	GCS250U-57	Switch	1
58	GCS250U-58	Bearing sleeve	1
59	GCS250U-59	self tapping screw	2
60	GCS250U-60	Self Tapping Screw	2
61	GCS250U-61	Washer	1
62	GCS250U-62	Ball Bearing	1
63	GCS250U-63	Spring washer	2
64	GCS250U-64	Washer	2

**9 Amp/1.5 Peak HP Motor
Electric
Adjustable Pole Saw/Chain Saw**

Model No. 172.43983 10-In. Bar

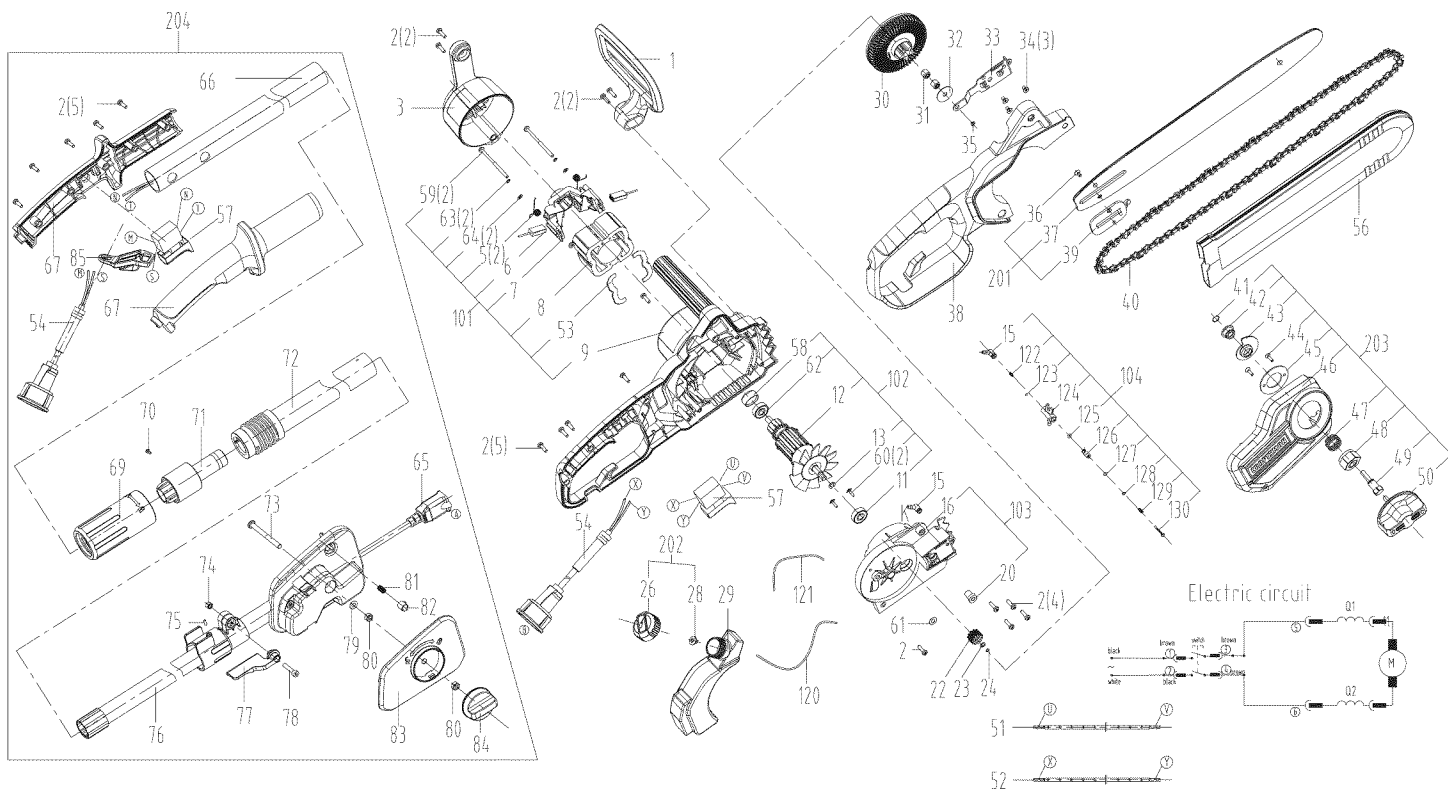
The model number will be found on the nameplate of the Pole Saw/Chain Saw. Always mention the model number when requesting parts and service for your tool. To order parts, call 1-800-469-4663

PARTS LIST

32

Position No.	Parts No.	Part Description	Qty.
65	GCS250U-65	Spring Wire	1
66	GCS250U-66	Telescope Tube I	1
67	GCS250U-67	Left/Right Pole Handle	1
69	GCS250U-69	Thread Sleeve	1
70	GCS250U-70	Screw	1
71	GCS250U-71	Safety Helmet B	1
72	GCS250U-72	Tube Assembly II	1
73	GCS250U-73	Nut	1
74	GCS250U-74	Nut	1
75	GCS250U-75	Spring Pin	1
76	GCS250U-76	Tube Assembly III	1
77	GCS250U-77	Lock Knob	1
78	GCS250U-78	Screw	1
79	GCS250U-79	Washer	1
80	GCS250U-80	Nut	2
81	GCS250U-81	Compression spring	1
82	GCS250U-82	Button	1
83	GCS250U-83	Handle Cover	1
84	GCS250U-84	Knob Body	1
85	GCS250U-85	Cable hook	1
101	GCS250U-101	Left Housing Assembly	1
102	GCS250U-102	Rotor Set	1
103	GCS250U-103	Front Bracket Assembly	1
104	GCS250U-104	Pump Set	1
120	GCS250U-120	Oil Tube I	1
121	GCS250U-121	Oil Tube II	1
122	GCS250U-122	Compression Spring	1

Position No.	Parts No.	Part Description	Qty.
123	GCS250U-123	Steel ball	1
124	GCS250U-124	Pump Housing	1
125	GCS250U-125	O Ring	1
126	GCS250U-126	Pump	1
127	GCS250U-127	O Ring	1
128	GCS250U-128	Washer	1
129	GCS250U-129	Compression Spring	1
130	GCS250U-130	Pump Rod	1
201	GCS250U-201	Guide Bar	1
202	GCS250U-202	Oil Bottle Cap Set	1
203	GCS250U-203	Clutch Cover Assembly	1
204	GCS250U-204	Extension Support	1



33

PARTS LIST

9 Amp/1.5 Peak HP Motor
Electric
Adjustable Pole Saw/Chain Saw
Model No. 172.43983 10-in. Bar

CRAFTSMAN®

Product questions or problems?

1-888-331-4569

Customer Care Hot Line

Get answers to questions, troubleshoot problems,
order parts, or schedule repair service.

Para respuestas a preguntas o problemas, y ordenar
piezas o pedir servicio para la reparación de su equipo.

To help us help you, register your product at www.craftsman.com/registration

Para poderte ayudar mejor, registra tu producto en www.craftsman.com/registration

Join the Craftsman Club today!

CRAFTSMAN® CLUB

www.craftsman.com/signup

Receive exclusive member benefits including special pricing and offers,
project sharing, expert advice, and SHOP YOUR WAY REWARDS!

Como miembro exclusivo, recibe diversos beneficios como ofertas, precios especiales, proyectos
nuevos, consejos de expertos y nuestro programa de puntos SHOP YOUR WAY REWARDS!

© Registered Trademark / ™ Trademark of KCD IP, LLC in the United States, or Sears Brands, LLC in other countries
© Marca Registrada / ™ Marca de Fábrica de KCD IP, LLC en Estados Unidos, o Sears Brands, LLC in otros países

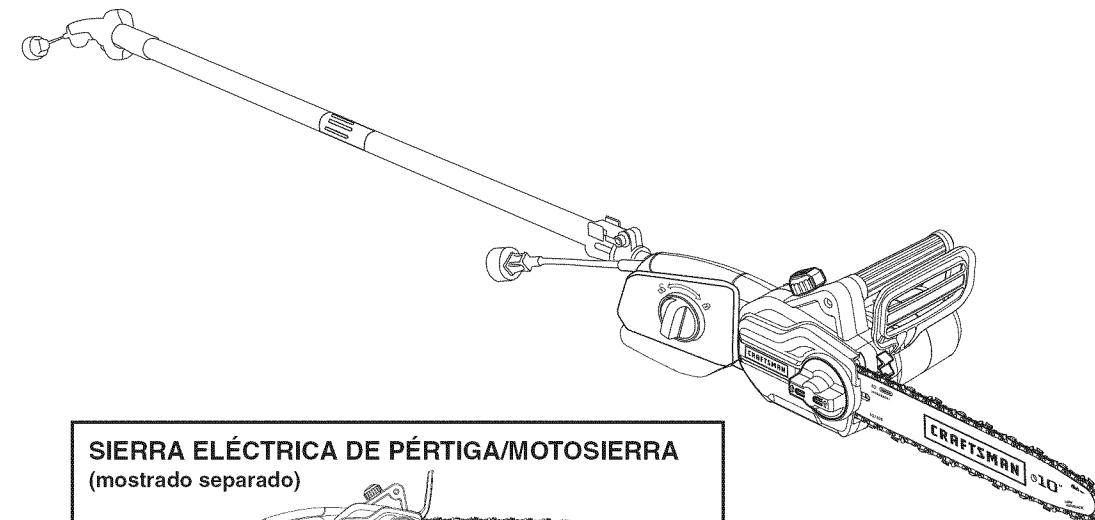
Manual del Usuario

CRAFTSMAN®

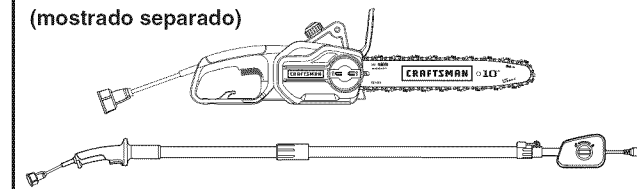
Motor de 9 Amp/1.5 Peak HP

**SIERRA ELÉCTRICA
AJUSTABLE DE PÉRTIGA / MOTOSIERRA**

Modelo No. 172.43983 Barra de 10-Pulg.



SIERRA ELÉCTRICA DE PÉRTIGA/MOTOSIERRA
(mostrado separado)



CUIDADO: Lea, entienda y siga todas las Reglas
de Seguridad e Instrucciones de Operación en este
Manual antes de usar este producto.

**Sears Brands Management Corporation,
Hoffman Estates, IL 60179 U.S.A.
www.craftsman.com**

- GARANTÍA
- SEGURIDAD
- DESEMPAQUETAR
- ENSAMBLAJE
- OPERACIÓN
- MANTENIMIENTO
- LISTA DE PIEZAS
- ESPAÑOL

ÍNDICE

Garantía.....	Pág. 2
Símbolos de Seguridad.....	Pág. 3
Instrucciones de Seguridad.....	Pág. 4 - 13
Desempacado.....	Pág. 13
Descripción.....	Pág. 14 - 15
Ensamblaje y Ajustes.....	Pág. 16 - 20
Operación.....	Pág. 20 - 27
Mantenimiento/Resolución De Problemas.....	Pág. 27 - 30

GARANTÍA LIMITADA DE CRAFTSMAN

DURANTE DOS AÑOS desde la fecha de venta, este producto está garantizado contra defectos de materiales o mano de obra. CON EL COMPROBANTE DE VENTA, un producto defectuoso será reemplazado gratis.

Para obtener más detalles de la garantía o saber cómo obtener un reemplazo gratis, visite la página web: www.craftsman.com

Esta garantía no cubre la barra ni la cadena ya que éstas son piezas que se desgastan con el uso normal durante el tiempo de garantía.

Esta garantía no será válida si el producto se usa de manera comercial o si se le alquila a otra persona.

Esta garantía le da derechos legales específicos y es posible que usted tenga otros derechos legales los cuales pueden variar de un estado a otro.

Sears Brands Management Corporation, Hoffman Estates, IL 60179

NOTA: No se incluye el aceite para la barra y cadena. ANTES de usar esta Sierra Eléctrica, no olvide comprar Aceite para Barra y Cadena, SAE30.

⚠ ADVERTENCIA: Algunas partículas de polvo creadas por las herramientas de césped y jardinería contienen sustancias químicas conocidas por el estado de California por producir cáncer, defectos al nacer o cualquier otra lesión de reproducción. Algunos ejemplos de estas sustancias químicas son:

- Compuestos en fertilizantes, herbicidas, pesticidas e insecticidas.
- Arsénico y cromo de madera tratada químicamente

Su riesgo por estas exposiciones varía, según la frecuencia con que realiza este tipo de trabajos. Para reducir su exposición a estas sustancias químicas:

- Trabaje en áreas con buena ventilación.
- Trabaje con equipos de seguridad aprobados, tales como mascarillas anti-polvo especialmente diseñadas para no dejar pasar las partículas microscópicas.



**¡GUARDE ESTAS INSTRUCCIONES!
¡LEA TODAS LAS INSTRUCCIONES!**

2

SÍMBOLOS DE SEGURIDAD

El propósito de los símbolos de seguridad es atraer su atención a posibles daños. Los símbolos de seguridad y la explicación sobre éstos merecen su atención y entendimiento. Los avisos del símbolo no evitan ningún daño por sí mismos. Las instrucciones y avisos que dan no sustituyen medidas apropiadas para prevenir accidentes.

⚠ ADVERTENCIA: Asegúrese de leer y entender todas las instrucciones de seguridad de este manual, incluyendo todos los símbolos de alerta como **“DANGER,” (PELIGRO), “WARNING,” (ADVERTENCIA) y “CAUTION” (PRECAUCIÓN)** antes de usar esta herramienta giratoria. El no seguir todas las instrucciones en este manual podría provocar una descarga eléctrica, incendios y/o lesiones graves.

SIGNIFICADO DE LOS SÍMBOLOS PARA LAS SEÑALES

⚠ SÍMBOLO DE ALERTA DE SEGURIDAD: Señales **DANGER (PELIGRO), WARNING (ADVERTENCIA), O CAUTION (PRECAUCIÓN)**. Pueden ser usados en conjunto con otros símbolos o imágenes.

⚠ PELIGRO: Indica una situación peligrosa que, de no evitarse, provocará la muerte o lesiones graves. Esta palabra de advertencia debe ser limitada a las circunstancias más extremas. Siempre siga las precauciones de seguridad para reducir el riesgo de incendio, descargas eléctricas, y lesiones graves.

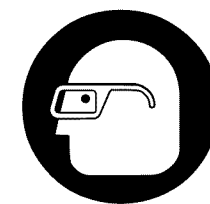
⚠ ADVERTENCIA: Indica una situación peligrosa que, de no evitarse, podría ocasionar la muerte o lesiones graves. Siempre siga las precauciones de seguridad para reducir el riesgo de incendio, descargas eléctricas, y lesiones graves.

⚠ PRECAUCIÓN: Indica una situación peligrosa que, de no evitarse, podría resultar en lesiones leves o moderadas.

Prevención de Daños y Mensajes de Información

Estos dan información importante al usuario y/o instrucciones que de no ser seguidas podrían provocar daños al equipo u otras propiedades. Cada mensaje es después de la palabra **“NOTE” (AVISO)**, como en el ejemplo de abajo:

AVISO: Puede provocar daños al equipo y/o a la propiedad si no se siguen las siguientes instrucciones.



⚠ ADVERTENCIA: Para garantizar la seguridad y confiabilidad, todas las reparaciones deben ser realizadas por un técnico de servicio calificado.

⚠ ADVERTENCIA: La operación de cualquier herramienta eléctrica puede causar que objetos extraños sean lanzados a sus ojos, lo cual puede causar daños graves en los ojos. Antes de iniciar la operación de cualquier herramienta, use siempre gafas de seguridad o gafas de seguridad con protección lateral, y use un protector de cara completo cuando sea necesario. Recomendamos una

Máscara de Seguridad de Visión Amplia para usarse sobre los anteojos o gafas de seguridad con protección lateral estándar. Siempre use protección ocular que cumpla con los requisitos de los protectores ANSI Z87.1

3

INSTRUCCIONES DE SEGURIDAD

⚠ ADVERTENCIA: Si se usa correctamente, esta Sierra de Pértiga/Motosierra es una herramienta eficiente; si se usa incorrectamente o sin las precauciones debidas esta herramienta podría ser peligrosa. Para trabajar de manera segura, **SIEMPRE** cumpla totalmente con las reglas de seguridad que están indicadas en este manual.

⚠ ADVERTENCIA: **ASEGÚRESE** de leer y entender todas las instrucciones contenidas en este manual antes de usar esta Sierra de Pértiga/Motosierra. El no seguir todas las instrucciones indicadas a continuación podría resultar en electrocución, incendio y/o heridas graves.

⚠ ADVERTENCIA: Para evitar errores que podrían resultar en heridas graves, **NO** conecte la Sierra de Pértiga/Motosierra a la corriente hasta después de leer y entender todas las siguientes instrucciones.

⚠ ADVERTENCIA: **Tome en consideración el área de trabajo.** Tenga mucho cuidado al cortar pequeños arbustos o árboles jóvenes ya que los pedazos delgados se pueden trabar en la cadena y ser lanzados en su dirección lo que puede hacer que pierda el equilibrio. **NO** opere una motosierra en un árbol a menos que usted tenga entrenamiento especial para hacerlo. Al cortar una rama que esté bajo tensión tenga cuidado de que no le vaya a golpear cuando se libere la tensión en las fibras de la madera.

ADVERTENCIAS DE SEGURIDAD GENERALES PARA HERRAMIENTAS ELÉCTRICAS

⚠ ADVERTENCIA: **Lea todas las advertencias e instrucciones de seguridad.** El no seguir todas las advertencias e instrucciones puede resultar en electrocución, incendio y/o heridas graves.

GUARDE TODAS LAS ADVERTENCIAS E INSTRUCCIONES PARA REFERENCIA FUTURA.

SEGURIDAD EN EL ÁREA DE TRABAJO

- Evite Ambientes Peligrosos – No use aparatos en lugares húmedos o mojados.
- Mantenga limpio y bien iluminado el área de trabajo. Lugares desordenados y oscuros pueden provocar accidentes.
- No use herramientas eléctricas en ambientes explosivos, por ejemplo cerca de líquidos inflamables, gases ni polvo. Las herramientas eléctricas crean chispas que pueden incendiar el polvo o gases.
- Mantenga a los niños y a otras personas alejadas cuando use una herramienta eléctrica. Las distracciones pueden hacer que pierda el control.

SEGURIDAD ELÉCTRICA

- El enchufe de las herramientas eléctricas debe ser compatible con el tomacorriente. Nunca modifique un enchufe de ninguna manera. No utilice adaptadores con herramientas eléctricas con conexión a tierra. Los enchufes y tomacorrientes no modificados reducen el riesgo de electrocución.
- Evite el contacto del cuerpo con superficies con conexión a tierra como tuberías, radiadores, estufas y refrigeradores. Existe un mayor riesgo de electrocución si su cuerpo está tocando tierra.
- No esponga la herramienta a la lluvia o a condiciones mojadas. Agua que entra en una herramienta eléctrica aumenta el riesgo de electrocución.
- No Abuse del Cable Eléctrico - Nunca transporte la herramienta por el cable, ni tire del cable para desconectarlo del tomacorriente. Mantenga el cable lejos del calor, aceite y puntas afiladas. Cables dañados o enredados aumentan el riesgo de electrocución.
- Al operar una herramienta eléctrica en exteriores, use un cable de extensión para uso en exteriores. El uso de un cable apropiado para exteriores reduce el riesgo de electrocución.
- Si es inevitable el uso de la herramienta eléctrica en un lugar húmedo, utilice un interruptor de circuito de falla a tierra (GFCI). El uso de un GFCI reduce el riesgo de electrocución.

INSTRUCCIONES DE SEGURIDAD cont.

SEGURIDAD PERSONAL

- Manténgase alerta, siempre mire bien lo que está haciendo y use el sentido común al operar una herramienta eléctrica. **NO** use una herramienta eléctrica cuando esté cansado o bajo la influencia de drogas, alcohol o algún medicamento. Un momento de distracción o falta de atención puede resultar en heridas graves.
- Usa equipo de protección necesario. Siempre use protección para los ojos. Equipo de protección como máscaras para el polvo, zapatos de seguridad con suela antideslizante, casco protector, o protección auditiva usado en las condiciones adecuadas reducirá las heridas personales.
- Evite el Encendido por Accidente - No cargue el aparato conectado a la corriente con el dedo en el interruptor. Asegure que el interruptor esté apagado mientras está conectado.
- Retire cualquier llave de ajuste o de tuerca antes de encender la herramienta eléctrica. Una herramienta o llave colocada en una pieza giratoria de la herramienta eléctrica puede resultar en lesiones personales.
- **NO** trate de estirarse. Mantenga sus pies firmes en todo momento para mantener el buen equilibrio. Esto permite un mejor control de la herramienta en situaciones inesperadas.
- Vístase de manera apropiada. **NO** use ropa ni joyas que le queden sueltas. Mantenga su pelo, ropa, y guantes fuera de las piezas en movimiento. La ropa suelta o el pelo largo se pueden atascar en las piezas en movimiento.
- Si se proporcionan dispositivos para conectar instalaciones que extraen y recogen el polvo, asegúrese de que estén conectados y se usen correctamente. Extraer el polvo puede reducir los peligros relacionados con el polvo.

USO Y CUIDADO DE LA HERRAMIENTA ELÉCTRICA

- No sujete las cuchillas o los fillos de corte expuestos al momento de recoger o cargar el aparato o la herramienta eléctrica.
- No fuerce el Aparato/Herramienta Eléctrica - Se hará el trabajo mejor y con menos probabilidad de lesiones si se usa a la velocidad para el que fue diseñado.
- No utilice la herramienta eléctrica si el interruptor no la enciende y apaga. Cualquier herramienta eléctrica que no pueda controlarse con el interruptor es peligrosa y debe ser reparada.
- Desconecte el enchufe de la fuente de alimentación y/o la batería de la herramienta eléctrica antes de realizar ajustes, cambiar accesorios o almacenar las herramientas eléctricas. Estas medidas de seguridad preventivas reducen el riesgo de encender la herramienta accidentalmente.
- Guarde las herramientas eléctricas que no estén en uso fuera del alcance de los niños y no permita que personas no familiarizadas con la herramienta o con estas instrucciones utilicen la herramienta eléctrica. Las herramientas eléctricas son peligrosas en manos de personas inexpertas.
- De mantenimiento a las herramientas eléctricas. Compruebe la desalineación o atoramiento de piezas, ruptura de piezas y cualquier otra condición que pueda afectar el funcionamiento de la herramienta en movimiento. Si está dañada, repare la herramienta antes de usarla. Muchos accidentes se deben a herramientas eléctricas con un mantenimiento deficiente.
- De Mantenimiento al Aparato Con Cuidado - Mantenga los bordes de corte afilados y limpios para un mejor desempeño y para reducir el riesgo de lesiones. Siga las instrucciones de lubricación y cambio de accesorios. Inspeccione el cable del aparato periódicamente, y si está dañado, repárelo en un centro de servicio autorizado. Inspeccione los cables de extensión periódicamente y reemplácelos si están dañados. Mantenga los mangos secos, limpios y libres de aceite y grasa.
- Utilice la herramienta eléctrica, los accesorios y las brocas, etc., de acuerdo con estas instrucciones y de la manera prevista para el tipo de herramienta eléctrica, teniendo en cuenta las condiciones de trabajo y la tarea a realizar. El uso de la herramienta eléctrica para operaciones diferentes a las indicadas, podrá resultar en una situación peligrosa.
- **UTILICE SOLAMENTE** las cadenas que se recomiendan para esta Motosierra. Las cadenas que pueden ser adecuadas para una Motosierra pueden volverse peligrosas cuando se utilizan en otra Motosierra.
- Mantenga la sierra de pértiga/motosierra a una distancia suficientemente lejos de las líneas del tendido eléctrico.

SERVICIO

- Asegúrese de darle mantenimiento a su herramienta eléctrica por un experto capacitado que utilice sólo piezas de repuesto idénticas. Esto asegurará que se mantenga la seguridad de la herramienta eléctrica.



INSTRUCCIONES DE SEGURIDAD cont.

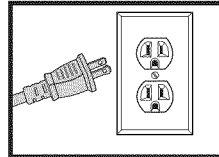
SEGURIDAD ELÉCTRICA

⚠ ADVERTENCIA: No permita que los dedos toquen los terminales del enchufe cuando conecte o desconecte el cable de extensión desde el enchufe.

1. Las herramientas con doble aislamiento están equipadas

con un enchufe polarizado (un contacto es más ancho que el otro y requieren el uso de un cable de extensión polarizado.) El enchufe de la Bordeadora entra en un cable de extensión polarizado de una sola manera. Si el enchufe no encaja completamente en el cable de extensión, invierta el enchufe. Si aún así el enchufe no encaja, obtenga un cable de extensión polarizado correcto.

Un cable de extensión polarizado requiere el uso del tomacorriente polarizado. Este enchufe encajará en el tomacorriente polarizado de una sola manera. Si el enchufe no encaja completamente en el tomacorriente, invierta el enchufe. Si aún así no entra, llame a un electricista calificado para que instale un tomacorriente adecuado. **No cambie ni altere** el equipo del enchufe, cavidad del cable de extensión o el enchufe del cable de extensión de ninguna manera.



2. El aislamiento doble elimina la necesidad de un cable de extensión con tierra y un sistema de corriente con cable a tierra. Esto solo aplica a las herramientas de Clase II (con aislamiento doble). Esta Sierra Eléctrica es una herramienta con aislamiento doble.

⚠ ADVERTENCIA: Todos los circuitos y los tomacorrientes que se utilizarán para las motosierras eléctricas y herramientas eléctricas de jardín y césped deberán tener protección de GFCI (Interruptor de Circuito de Falla a Tierra). Hay tomacorrientes con protección incorporada de GFCI y se deben utilizar para esta medida de protección.

- El doble aislamiento **NO TOMA** el lugar de las precauciones normales de seguridad cuando utilice esta herramienta.
- Protéjase contra descargas eléctricas: Evite el contacto del cuerpo con superficies conectadas a tierra. Por ejemplo: tubos de metal, cercas de alambre.

3. **ANTES** de conectar la herramienta, **ASEGÚRESE** de que el voltaje del tomacorriente se encuentre dentro del voltaje marcado en la placa de datos de la herramienta. **NO** utilice herramientas calificadas como "AC solamente" con una corriente DC.
4. **NO** esponga herramientas a la lluvia o a condiciones de humedad o use herramientas eléctricas en lugares húmedos o mojados. Si entra agua en una herramienta eléctrica aumentará el riesgo de descarga eléctrica.
5. Si es inevitable operar una herramienta eléctrica en lugares húmedos, siempre use un Interruptor de Circuito de Falla a Tierra para suministrar energía a la herramienta. Siempre use guantes de goma y calzado para electricistas en condiciones de humedad.
6. Para reducir el riesgo de descarga eléctrica, utilice únicamente un cable de extensión destinado a ser utilizado al aire libre, como por ejemplo un cable de extensión con cable tipo: **SW-A, SOW-A, STW-A, STOW-A, SJW-A, SJOW-A, SJTW-A. o SJTOW-A.**
7. **INSPECCIONE** los cables de la herramienta para ver si están dañados. Lleve los cables dañados de la herramienta a un Centro de Servicio Sears. **ASEGÚRESE** de mantenerse constantemente al tanto de la ubicación del cable y manténgalo bien alejado de la cuchilla de corte.
8. **NO** abuse del cable de extensión. **NUNCA** utilice el cable para transportar la herramienta ni para sacar el enchufe de la toma. Mantenga el cable lejos del calor, aceite, bordes afilados o piezas móviles. Reemplace inmediatamente los cables dañados. Los cables dañados

CABLES DE EXTENSIÓN

Utilice un cable de extensión adecuado. **SOLAMENTE** utilice cables listados por Underwriters Laboratories (UL).

Otros cables de extensión pueden causar una caída en el voltaje, lo que resulta en una pérdida de potencia y sobrecalentamiento de la herramienta.

Para esta herramienta se recomienda un tamaño AWG (American Wire Gauge) calibre 14 como mínimo para un cable de extensión de 25 pies o menos de longitud. Utilice calibre 12 para un cable de extensión de 50 pies. **No se recomiendan cables de extensión de 100 pies o más largos.**

INSTRUCCIONES DE SEGURIDAD cont.

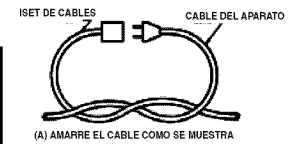
CABLES DE EXTENSIÓN cont.

Recuerde, un alambre con un tamaño de calibre más pequeño tiene mayor capacidad que un número mayor (el alambre de calibre 14 tiene mayor capacidad que el alambre de calibre 16, el alambre de calibre 12 tiene mayor capacidad que el de calibre 14). Si tiene dudas use el número más pequeño.

Voltios	longitud total de la cuerda en pies			
	25	50	100	150
120V			100	150
240V	50	100	200	300
Amperaje	AWG			
Más de	No más de			
0 - 6	18	16	16	14
6 - 10	18	16	14	12
10 - 12	16	16	14	12
12 - 16	14	12	No se recomienda	

Nota - Sólo las partes aplicables de la Tabla deben ser incluidas. Por ejemplo, un producto de 120 voltios no necesita incluir el encabezamiento de 240 voltios.

Método de asegurar el cable de extensión



⚠ PRECAUCIÓN: Mantenga el cable de extensión fuera del área de trabajo. Coloque el cable de manera que no quede atrapado en los arbustos, setos, troncos de árboles, cortadoras de césped u otras obstrucciones cuando usted esté trabajando con la Motosierra.

⚠ ADVERTENCIA: Inspeccione los cables de extensión antes de cada uso. Si están dañados reemplácelos de inmediato. Nunca utilice la herramienta con un cable dañado, ya que si toca la parte dañada puede producirse una descarga eléctrica, resultando en una lesión grave.

SÍMBOLOS DE SEGURIDAD PARA SU HERRAMIENTA

La etiqueta de su herramienta puede incluir los siguientes símbolos:

- V..... Voltios
- A..... Amperios
- H..... Hertz
- W..... Watts (Vatios)
- min..... Minutos
- ~..... Corriente Alterna
- ==..... Corriente Directa
- no..... Velocidad sin carga
- .../min..... Revoluciones o Golpes por minuto
- ⚠..... Indica peligro, advertencia o precaución. ¡Esto significa atención! Su seguridad está en juego.
- ⚠..... El contacto de la punta de la barra guía puede hacer que se mueva de manera súbita hacia arriba y atrás, lo que puede causar heridas graves al usuario.
- ⚠..... Se debe evitar el contacto de la punta de la barra guía con cualquier objeto.
- ⚠..... Lea y siga todas las precauciones de seguridad del manual de usuario. El no seguir las instrucciones puede resultar en heridas graves al usuario.
- ⚠..... No esponga a la lluvia.
- ⚠..... Quite el enchufe de la tubería inmediatamente si el cable se daña o cortó.
- ⚠..... Visera o gafas de protección, casco y protección para los oídos.
- ⚠..... Guantes con protección para sierras.
- ⚠..... Botas con protección para sierras, punteras de acero y suelas antideslizantes.
- ⚠..... Wear dust mask.
- ⚠..... No opere la sierra eléctrica con una sola mano.
- ⚠..... Siempre use las dos manos al operar la sierra eléctrica.
- ⚠..... Construcción Clase II, Aislamiento Doble. Solo use piezas idénticas al hacer cualquier reparación.
- ⚠..... El ángulo de reculada de la sierra eléctrica es de 10, con el paro de la cadena
- ⚠..... Dirección correcta de los dientes cortantes.
- ⚠..... Freno de la Cadena
- ⚠..... Cuidado del peligro de líneas de energía eléctrica de arriba.

INSTRUCCIONES DE SEGURIDAD cont.

SEGURIDAD AL REPARAR

1. Si cualquier pieza de esta Sierra de Pértiga/Motosierra falta, se rompe, se dobla, o falla en cualquier modo; o si cualquier componente eléctrico deja de funcionar correctamente: **APAGUE** el interruptor y retire el cable de la Motosierra de la corriente y repare las piezas dañadas ANTES de continuar usando.
2. La reparación de la herramienta se debe hacer en un centro de servicio capacitado o de reparación. Reparación o mantenimiento por parte de una persona no capacitada puede resultar en heridas.
3. Al reparar una herramienta, use solamente piezas idénticas. Siga las instrucciones en la sección de mantenimiento de este manual. El uso de piezas no autorizadas o el no seguir las instrucciones de mantenimiento puede crear un riesgo de electrocución o heridas graves.

REGLAS DE SEGURIDAD PARA LAS SIERRAS DE PÉRTIGA/MOTOSIERRAS

1. **CONOZCA su Sierra de Pértiga/Motosierra. Lea cuidadosamente el manual del usuario.** Conozca sus aplicaciones y limitaciones, al igual que los posibles peligros relacionados a esta herramienta. El seguir esta regla reducirá el riesgo de electrocución, incendio y herida grave.
2. **NO** use la Sierra de Pértiga/Motosierra sin luz adecuada. SIEMPRE asegúrese de ver bien lo que está cortando.
3. Use la Sierra Eléctrica **SOLAMENTE** cuando la madera esté seca.
4. **SIEMPRE** sitúese hacia el lado izquierdo del Mango. Cualquier escombros que sea lanzado por la Motosierra vendrá del lado del Protector de la Cuchilla al lado derecho de la Motosierra.
5. **SIEMPRE** retire objetos como palitos y escombros del área que se va a cortar ya que se pueden enredar o ser lanzados por la Motosierra.
6. **NO** empiece a cortar hasta que tenga libre el área de trabajo, los pies bien plantados, especialmente si está talando un árbol, y un área de salida. Mantenga limpio el área de trabajo.
7. **NO** opere la sierra con una sola mano. Esto puede ocasionar lesiones serias al operador, ayudantes, o cualquier otra persona que esté cerca. Una sierra de pértiga/motosierra se debe operar con las dos manos.
8. **NO** opere la sierra de pértiga/motosierra desde una escalera o en un árbol.
9. **ASEGÚRESE** de que la cadena no entre en contacto con ningún objeto al arrancarla. **NUNCA** encienda la sierra cuando la barra guía esté en un corte.
10. **NO** fuerce la motosierra. La sierra funcionará mejor y de manera más segura si trabaja a la velocidad para la cual fue diseñada.
11. **NO** ponga presión sobre la sierra, especialmente al final de un corte. Esto puede resultar en que pierda el control cuando termine el corte.
12. **DETENGA** la sierra antes de ponerla en el piso o sobre otra superficie.
13. **Lleve la motosierra por el mango delantero con la motosierra apagada y lejos de su cuerpo. Al transportar o almacenar la motosierra siempre adáptela a la cubierta de la barra guía.** El manejo adecuado de la motosierra reducirá la probabilidad de contacto accidental con la cadena en movimiento.
14. Use la herramienta apropiada, **PARA CORTAR MADERA SOLAMENTE.** No use la sierra para otro propósito; por ejemplo, no use la sierra para cortar plástico, albañilería, u otros materiales de construcción que no sean de madera.
15. **NO** opere una sierra de pértiga/motosierra que esté dañada, ajustada de manera inapropiada, o que no esté ensamblada completamente o de manera segura. Siempre cambie la barra, cadena, guardamano, u otras piezas inmediatamente si se dañan, rompen, o no están presentes.
16. **La reparación de la herramienta se debe hacer en un Centro de Piezas y Reparación de Sears** u otro centro de servicio capacitado. Reparación o mantenimiento por parte de una persona no capacitada puede resultar en heridas.
17. **Mantenga todas las partes del cuerpo lejos de la motosierra cuando el motor esté operando. Antes de encender la motosierra, asegúrese de que la cadena no esté tocando nada.** Un momento de distracción mientras opera una motosierra puede causar que su ropa o cuerpo se enrede con la cadena de la sierra.

INSTRUCCIONES DE SEGURIDAD cont.

REGLAS DE SEGURIDAD PARA LAS SIERRAS DE PÉRTIGA/MOTOSIERRAS cont.

18. **Siempre sujete el mango trasero de la motosierra con la mano derecha y el mango delantero con la mano izquierda.** El sujetar la motosierra con una configuración de manos invertida puede aumentar el riesgo de lesiones personales y nunca debe hacerse.
19. **Sujete la herramienta eléctrica solamente por las superficies aislantes, debido a que la cadena de la sierra puede ponerse en contacto con cables ocultos o con su propio cable.** Las cadenas de la sierra que hagan contacto con un "alambre vivo" pueden hacer que las partes metálicas expuestas de la herramienta eléctrica estén "vivas" y provoquen una descarga eléctrica que puede afectar al operador.
20. Todas las reparaciones de la sierra de pértiga/motosierra se deben hacer con un proveedor de servicio o un centro de reparaciones capacitado excepto para los artículos que se mencionan en la sección de **MANTENIMIENTO** de este manual.
21. **ASEGÚRESE** de que la cadena de la sierra se deje de mover cuando se libera el interruptor.
22. **MANTENGA** los mangos limpios y libres de aceite y grasa.
23. **MANTENGA** bien apretados la tapa del aceite y los tornillos.
24. El repuesto no apropiado de los componentes o la eliminación de los dispositivos de seguridad pueden dañar la unidad y posiblemente ocasionar lesiones al operador o a personas que estén cerca. Use solo los accesorios y repuestos Craftsman como se recomienda. Nunca modifique la sierra.
25. **MANTENGA** la sierra de pértiga/motosierra con cuidado.
26. **MANTENGA** la unidad afilada y limpia para un desempeño mejor y más seguro.
27. **SIGA LAS INSTRUCCIONES** para lubricar y cambiar los accesorios.
28. **DESENCHUFE** la sierra de pértiga/ motosierra de la corriente cuando no la esté usando, antes de repararla, y al cambiar los accesorios como las cadenas de la sierra o el protector.
29. **REVISE QUE NO TENGA PIEZAS DAÑADAS.** Antes de usar la sierra de pértiga/motosierra, se debe revisar el guardamano o cualquier otra pieza que esté dañada para determinar si funcionará correctamente. **REVISE** que las piezas en movimiento estén bien alineadas, que no estén dobladas, rotas, montadas o con cualquier otra condición que afecte su operación. Una cubierta o cualquier otra pieza que esté dañada se deben reparar correctamente o se deben cambiar en un proveedor de servicio o un centro de reparaciones capacitado a menos que se indique lo contrario en el manual del usuario.
30. **CUANDO NO ESTÉ EN USO,** la sierra de pértiga/motosierra se debe guardar en un lugar seco y alto o con seguro y fuera del alcance de los niños.
31. **AL GUARDAR LA SIERRA DE PÉRTIGA/MOTOSIERRA,** desconéctala y use una funda protectora para la barra o un estuche.

⚠ ADVERTENCIA: NUNCA coloque su mano bajo la Motosierra (en el área de la cadena) hasta que desconecte la sierra y la cadena se detenga completamente. La cadena de la sierra se sigue moviendo por unos segundos después de haberse apagado.

REGLAS ADICIONALES PARA UNA OPERACIÓN SEGURA

⚠ ADVERTENCIA: ASEGÚRESE de leer y entender todas las instrucciones. El no seguir todas las instrucciones que aparecen a continuación puede resultar en electrocución, incendio y/o lesiones graves.

1. **SIEMPRE** use gafas de protección o gafas de seguridad con protección lateral, y protección de cara completa al usar esta Sierra de Pértiga/Motosierra. Nosotros recomendamos una Careta Facial de Wide Vision Safety Mask para que se use sobre lentes o gafas estándar de seguridad con protección lateral, las cuales están disponibles en las tiendas de Sears u otras tiendas Craftsman Outlets.
2. **PROTEJA** sus pulmones. Use una máscara para la cara, máscara para el polvo o respirador si el trabajo libera mucho polvo.
3. **PROTEJA** sus oídos. Use protección apropiada para los oídos durante su uso. Bajo algunas condiciones el ruido de este producto puede contribuir a la pérdida de la audición.

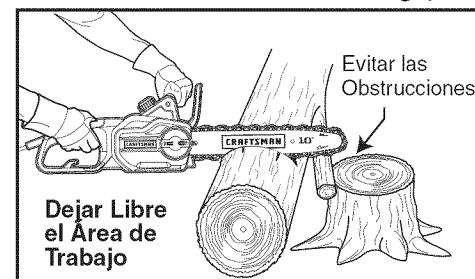
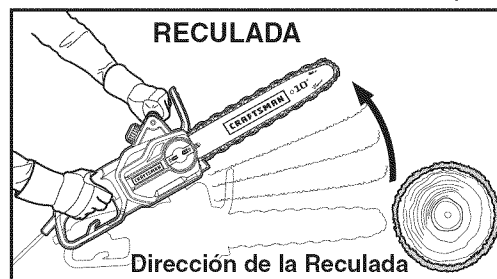
INSTRUCCIONES DE SEGURIDAD cont.

REGLAS ADICIONALES PARA UNA OPERACIÓN SEGURA cont.

- Use gafas de seguridad y protección auditiva. Se recomienda un equipo de protección adicional para la cabeza, las manos, las piernas y los pies. La ropa de protección adecuada reducirá lesiones personales por escombros voladores o contacto accidental con la cadena de la motosierra.
- TODAS LAS PERSONAS PRESENTES EN EL ÁREA DE TRABAJO DEBEN** usar el mismo equipo de seguridad que el operador de la herramienta.
- SIEMPRE REVISE que no hayan piezas dañadas.** Revise que las piezas en movimiento estén bien alineadas, que no estén dobladas, rotas, montadas o con cualquier otra condición que afecte su operación. Antes de seguir utilizando la herramienta, cualquier protector u otra pieza que esté dañada debe ser cuidadosamente evaluada para determinar si funcionará correctamente y realizará la función prevista. Un protector o cualquier otra pieza que esté dañada se deben reparar correctamente o se deben cambiar con un proveedor de servicio o un centro de reparaciones capacitado.
- Mantenga siempre los pies bien apoyados y opere la motosierra solamente cuando esté parado en superficies fijas, seguras y niveladas.** Las superficies resbaladizas o inestables tales como escaleras pueden causar una pérdida del equilibrio o el control de la motosierra.
- Tenga mucho cuidado al cortar arbustos y árboles jóvenes.** El material fino puede enredarse en la cadena y ser lanzado contra usted o hacerle perder el equilibrio.
- Siga las instrucciones para lubricar, verificar la tensión de la cadena y cambiar los accesorios.** Una cadena mal tensada o lubricada puede romperse o aumentar la posibilidad de reculadas.
- Utilice solamente barras y cadenas de repuesto especificadas por el fabricante.** Las barras y las cadenas de reemplazo incorrectas pueden romper la cadena y/o causar reculadas.
- Siga las instrucciones del fabricante para afilar y darle mantenimiento a la cadena de la motosierra.** Disminuir la altura del calibre de profundidad puede llevar a un aumento de reculadas.

⚠ ADVERTENCIA: Siga todas las reglas de seguridad para ayudar a evitar reculadas que pueden resultar en heridas graves.

EVITAR RECALADAS Y HALADAS (Usar la Motosierra con o sin la Pértiga)



- RECALADA** es el movimiento rápido hacia atrás, hacia arriba o hacia adelante cuando la cadena en la parte cercana de la punta de la barra guía entra en contacto con cualquier objeto como una rama, o cuando la madera pellizca la cadena al hacer un corte. El contacto con un objeto dentro de la madera también puede resultar en la pérdida del control de la cadena.
- RECALADA ROTATORIA** puede ocurrir cuando la cadena en movimiento entra en contacto en la parte superior de la barra guía. Este contacto puede hacer que la cadena se meta en el objeto, lo que hace que la cadena pare por un instante. El resultado es una reacción reversa muy rápida que hace que la barra guía se mueva hacia arriba y hacia atrás en dirección al usuario.
- RECALADA POR PELLIZCO** puede ocurrir cuando la madera pellizca la cadena en movimiento durante el corte en la parte superior de la barra guía y la cadena se para de repente. Esta parada súbita de la cadena resulta en una reversión de la fuerza cortante de la cadena y causa que la sierra se mueva en la dirección opuesta a la rotación de la cadena. La sierra es impulsada directamente en la dirección del usuario.

INSTRUCCIONES DE SEGURIDAD cont.

REGLAS ADICIONALES PARA UNA OPERACIÓN SEGURA cont.

EVITAR RECALADAS Y HALADAS cont.

- RECALADA QUE HALA** puede ocurrir cuando la cadena está en movimiento y entra en contacto con un objeto dentro de la madera al hacer un corte por la parte inferior de la barra guía y la cadena se detiene de repente. Esta parada súbita hala la sierra hacia adelante y en dirección opuesta al usuario y puede hacer que el usuario pierda el control de la sierra.

CAUSAS Y PREVENCIÓN DE RECALADAS PARA EL OPERADOR:

- La reculada puede ocurrir cuando la nariz o punta de la barra guía toca un objeto o cuando la madera se cierra y se atasca la cadena en el corte.
- El contacto de la punta en algunos casos puede causar una reacción inversa de repente, haciendo que la barra guía patee hacia arriba y atrás hacia el operador.
- Atrapar la cadena por la parte superior de la barra guía puede empujar la barra guía rápidamente hacia el operador.
- Cualquiera de estas dos reacciones pueden provocar la pérdida del control de la motosierra, resultando en lesiones personales graves.
- No confíe exclusivamente en los dispositivos de seguridad incorporados en la motosierra.
- Como usuario de una motosierra, debe tomar varias medidas para mantener sus trabajos de corte libres de accidentes o lesiones.
- La reculada es el resultado del mal uso de la herramienta y/o procedimientos o condiciones de operación incorrectos y se puede evitar tomando las precauciones que se indican a continuación:**
 - Agarre firmemente, con los pulgares y los dedos alrededor de los mangos de la motosierra, con ambas manos en la sierra, y posicione su cuerpo y el brazo para que pueda resistir las reculadas. Las reculadas pueden ser controladas por el operador, si se toman las precauciones adecuadas.
 - No suelte la motosierra.
 - No se estire demasiado y no corte por encima de la altura del hombro. Esto ayuda a prevenir un contacto de la punta no deseado y permite un mejor control de la motosierra en situaciones inesperadas.

EVITE QUE LA CADENA QUEDE PELLIZCADA

- Esté muy alerta de situaciones u obstrucciones que pueden pellizcar u detener la cadena por la parte superior.
- No corte más de un tronco a la vez.
- No gire la sierra al sacar la barra de un corte por debajo al tronzar.

EVITE QUE LE HALE

- Siempre empiece los cortes a toda velocidad y con la carcasa de la sierra contra la madera.
- Use cuñas de plástico o madera. Nunca use metal para mantener la madera abierta.

⚠ ADVERTENCIA: Siga todas las reglas de seguridad para ayudar a evitar las reculadas que pueden causar heridas graves.

INSTRUCCIONES DE SEGURIDAD cont.

REGLAS ADICIONALES PARA UNA OPERACION SEGURA cont.

MANTENER EL CONTROL (Cuando usa la Motosierra sin la Pértiga)

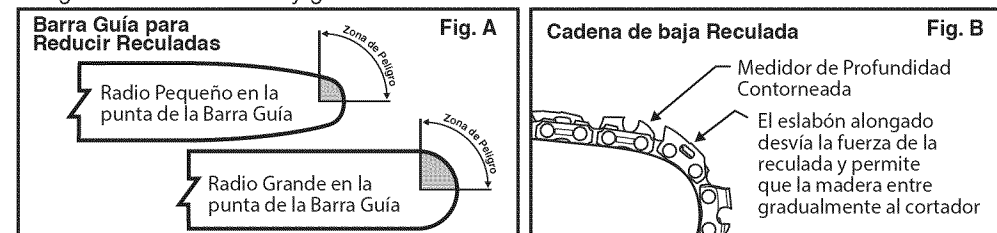


1. Agarre firmemente la sierra eléctrica con las dos manos para mantener el buen control. No suelte. Agarre el mango trasero con su mano derecha aunque usted sea zurdo. Coloque los dedos de su mano izquierda por encima y alrededor del mango delantero, y su pulgar izquierdo debajo del mango delantero. Mantenga su brazo izquierdo bien estirado y con el codo trabado.
2. Coloque su mano izquierda en el mango delantero de manera que quede en una línea recta con su mano derecha en el mango al hacer cortes tronzados. Sitúese ligeramente a la izquierda de la sierra para evitar que su cuerpo esté en una línea directa con la cadena cortante.
3. Párese con su peso bien equilibrado sobre los dos pies.
4. No se estire para tratar de alcanzar ya que puede perder su equilibrio y perder el control.
5. No corte por encima de sus hombros. Es muy difícil mantener control de una sierra eléctrica por encima del nivel de los hombros.

CARACTERÍSTICAS DE SEGURIDAD PARA LA RECLADA

⚠ ADVERTENCIA: Las siguientes características se incluyen en su sierra eléctrica para ayudar a reducir el peligro de las reculadas; no obstante, estas características no eliminan este peligro totalmente. No se confíe solamente en los dispositivos de seguridad. Siga todas las reglas de seguridad para ayudar a evitar la reculada y otras fuerzas, las cuales pueden resultar en lesiones serias.

1. **El Guardamanos:** está diseñado para reducir la posibilidad de que su mano izquierda entre en contacto con la cadena si su mano se resbala del mango delantero.
2. **La Posición del Mango Delantero y el Mango Trasero EVITAN LA RECLADA:** Estos están diseñados con una distancia entre sí y "en línea" el uno con el otro. Este diseño hace que la distancia y posición "en línea" de las manos provean un mejor equilibrio y resistencia al controlar el giro de la sierra hacia el usuario en caso de una reculada.
3. **Barra Guía Reduce la Reculada:** diseñada con una punta de pequeño radio para reducir el tamaño de la zona de peligro por la reculada en la punta de la barra, vea la **Figura A** a continuación. Este tipo de barra ha demostrado bajo pruebas que reduce de manera significativa la cantidad y gravedad de las reculadas en concordancia con ANSI B175.1.



12

INSTRUCCIONES DE SEGURIDAD cont.

REGLAS ADICIONALES PARA UNA OPERACION SEGURA cont.

CARACTERÍSTICAS DE SEGURIDAD PARA LA RECLADA cont.

4. La **Cadena de Baja Reculada** cumple con los requisitos de desempeño cuando se comprueba con una cantidad representativa de sierras eléctricas según lo especifica ANSI B175.1. Ver la Fig. B en la pág. 12.

DESEMPAQUETAR

1. La **Motosierra** viene completamente ensamblada, incluyendo la **Cadena/Barra de la Cadena**.
2. Retire la **Motosierra** del cartón. Inspeccione la Motosierra.
3. No deseche la caja ni los materiales de empaquetar hasta que no examine todas las piezas.
4. Retire el **Plástico Protector de la Cadena y la Cubierta de la Barra** antes de usar la sierra.

NOTA: No incluye el aceite de cadena y barra. **ANTES** de usar esta sierra, no se olvide de comprar aceite Craftsman Bar & Chain Oil, SAE30.

⚠ ADVERTENCIA: Si falta alguna pieza de la Sierra Eléctrica o si alguna pieza está dañada, no conecte la Sierra a la corriente hasta que reponga o reemplace la pieza que falta o está dañada.

13

DESCRIPCIÓN

CONOZCA SU SIERRA ELÉCTRICA

NOTA: Antes de intentar utilizar este producto, familiarícese con todas las características de funcionamiento y reglas de la seguridad.

Su Motosierra tiene un motor eléctrico fabricado a precisión que se debe conectar a una corriente de 120 voltios, 60 Hz AC únicamente (la corriente normal para uso doméstico). La Sierra Eléctrica de Pértiga/ Motosierra siempre se debe usar con un GFCI (Interruptor de Circuito de Falla a Tierra). NO opere este Sierra Eléctrica de Pértiga/ Motosierra con una corriente directa (DC). La caída del voltaje puede causar una pérdida en la corriente y que el motor se sobrecaliente. Si la Motosierra no funciona al conectarla a un tomacorriente apropiado de 120 voltios, 60 Hz AC, revise la fuente de energía. La Motosierra viene con un enchufe eléctrico y se debe conectar a un cable de extensión apropiado.

CARACTERÍSTICAS DE LA SIERRA ELÉCTRICA DE PÉRTIGA/MOTOSIERRA

- Potencia: 1.5 HP, motor de 9 Amp
- Largo de la barra: 10"
- Sistema de lubricación automática
- Tensión de cadena sin necesidad de herramientas
- Cambio de hoja sin necesidad de herramientas
- Tanque para el aceite con indicador visible
- Cadena y barra Oregon®
- Paragolpes delantero
- Peso 9.93 LBS (cuando está llena de aceite)
- Pértiga (con extensión)

DATOS TÉCNICOS:

- Voltaje: 120V/60Hz
- Potencia: 1.5 HP, 15 Amp
- Largo de la Barra: 10"
- Capacidad del Tanque de Aceite: 120ml
- Velocidad de la Cadena: 8.5 m/s
- Cadena de paso: 3/8"
- Cantidad de eslabones en la cadena: 40
- Calibre de la Cadena: 0.05"
- Tipo de cadena: Oregon®, 40pitches (91PX040X)
- Tipo de Barra: Oregon®, 10" (100SDEA041)
- MOTOSIERRA: Peso (incluyendo cadena y barra): 9.7 lbs
- Clase de Protección: □ / II

IMÁGENES DE LA SIERRA DE PÉRTIGA/MOTOSIERRA MENCIONADAS (Ver las Figuras 2 y 3 en la página 15)

SAW Lista

- | | |
|--------------------------------------|---|
| 1. Mango Trasero | 12. Cubierta de la Cadena |
| 2. Interruptor para Encender/Apagar | 13. Sostenedor del Cable de Extensión |
| 3. Botón para Poner/Quitar el Seguro | 14. Protector Trasero para la Mano |
| 4. Ventana del Nivel del Aceite | 15. Piñón o Rueda Dentada |
| 5. Tapa para el Aceite | 16. Símbolo de la Dirección de la Cadena |
| 6. Mango Delantero | 17. Salida del Aceite |
| 7. Protector para la Mano | 18. Barra de Sujeción |
| 8. Paragolpes con Pincho | 19. Tornillo de Sujeción para la Barra |
| 9. Barra Guía | 20. Pestañas para Ubicar la Barra |
| 10. Cadena | 21. Almacenamiento de la Barra y la Cadena/Cubierta de Transporte |
| 11. Perilla para Tensionar la Cadena | 22. Placa Tensora de la Barra |

PÉRTIGA Lista

- | | |
|--------------------------------------|-------------------------|
| 23. Mango de la pértiga de extensión | 27. Soporte del Mango |
| 24. Anillo tensor | 28. Perilla |
| 25. Cable Receptáculo | 29. Palanca de fijación |
| 26. Pértiga interior | |

DESCRIPCIÓN cont.

CONOZCA SU SIERRA ELÉCTRICA cont.

OTRAS IMÁGENES MENCIONADAS (Figuras 1 y 2)

Fig 1.

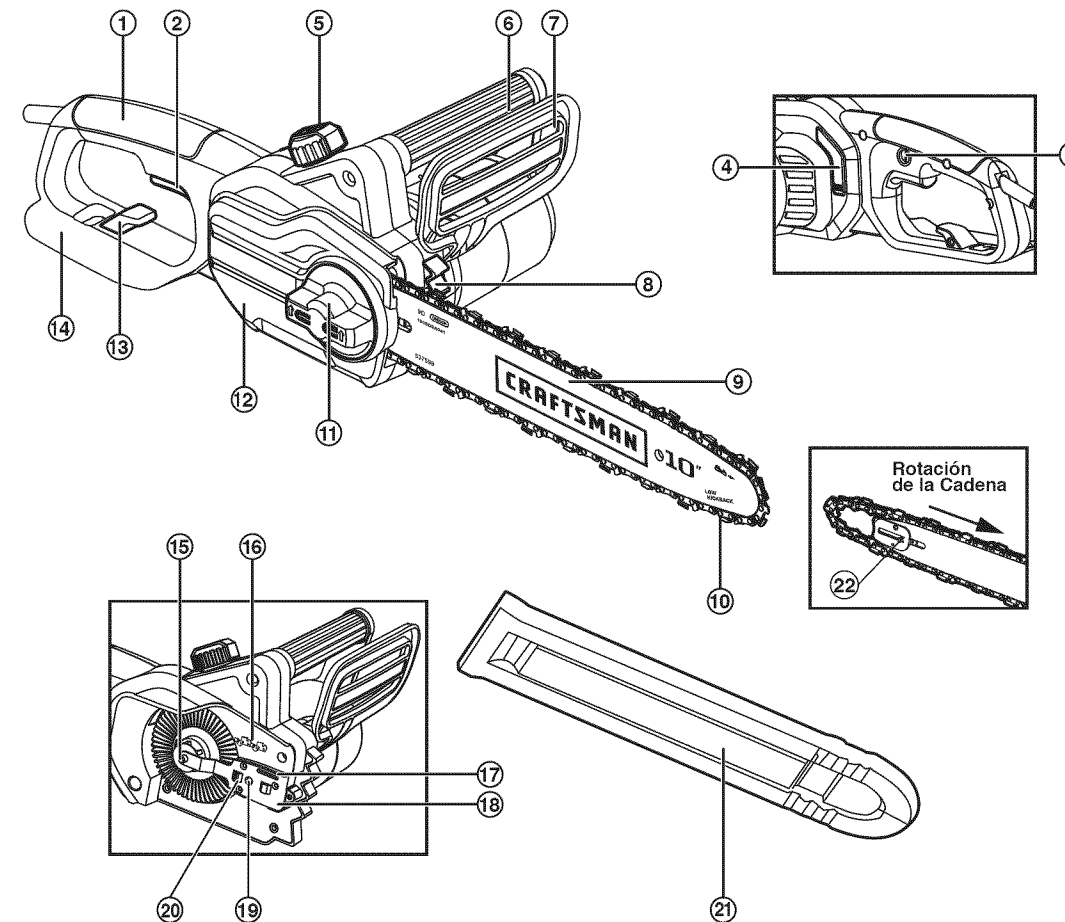
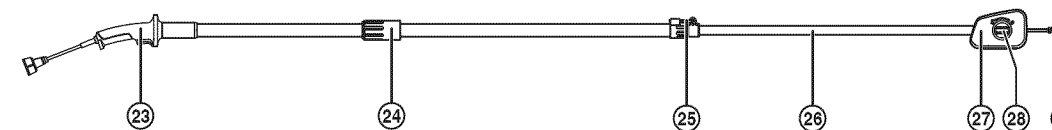


Fig 2.



ENSAMBLAJE Y AJUSTES

USO PREVISTO

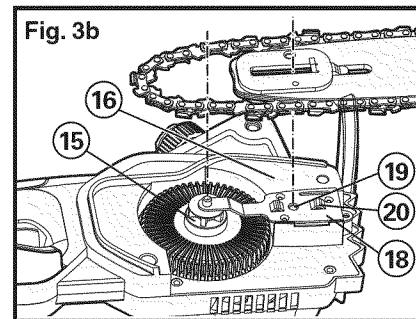
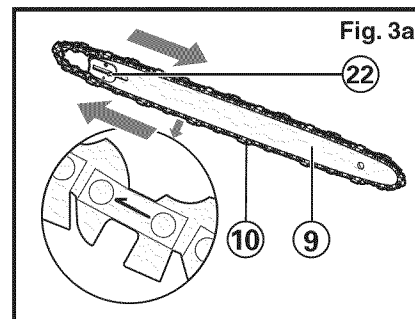
El uso previsto de esta sierra de pértiga/motosierra es para la madera: cortar árboles, troncos de árboles, ramas, vigas de maderas, tablas, etc. Los cortes se pueden hacer en la dirección de las fibras o en contra. Este producto no es apto para cortar materiales minerales, plásticos, o materiales de construcción que no sean de madera.

ENSAMBLAJE

⚠ ADVERTENCIA: No conecte la motosierra al cable de extensión ni a la corriente hasta que no esté correctamente ensamblada. Siempre use guantes apropiados al manejar la cadena.

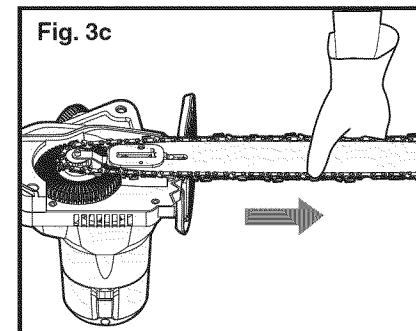
ENSAMBLAJE/CAMBIO DE LA CADENA Y BARRA DE LA CADENA (Ver las figuras 3a, 3b, 3c, 3d, 3e y páginas 14-15 para referencias de la pieza)

1. Coloque la motosierra en una superficie plana.
2. Deslice la Cadena (10) por la ranura alrededor de la Barra Guía (9). Asegúrese de que la Cadena esté en la dirección correcta al compararla con el Símbolo de la Dirección de la Cadena (16) en el cuerpo de la sierra. Asegúrese que la Placa Tensora de la Barra (22) esté mirando hacia afuera. (Fig. 3a).
3. Coloque la Cadena en el Piñón o Rueda Dentada (15), de modo que el Tornillo de Sujeción para la Barra (19) y las dos Pestañas para Ubicar la Barra (20) ubicadas en la Barra de Sujeción (18) encajen en la ranura de la apertura de la Barra Guía (9), (Ver la Fig. 3b).



⚠ ADVERTENCIA: Esta cadena aún no está tensionada. La tensión de la cadena se debe hacer según está descrito bajo "TENSIONAR LA CADENA". La cadena debe ahora ser inspeccionada para asegurar que esté correctamente tensada.

4. Revise para asegurar que todas las piezas estén bien instaladas y que la barra guía esté en una posición nivelada. (Ver la Fig. 3c)
5. Coloque la Cubierta de la Cadena (12) (pág. 15, Fig. 1), y ajuste la Cubierta de la Cadena girando la Perilla para Tensionar la Cadena (11) en dirección a las agujas del reloj hasta que quede ajustada. (pág. 15, Fig. 1)



16

ENSAMBLAJE Y AJUSTES cont.

ENSAMBLAJE/CAMBIO DE LA CADENA Y BARRA DE LA CADENA cont.

6. Ajuste bien la placa de la cubierta (12) en su lugar y sujétela con el tornillo de sujeción (11). (Ver la Fig. 3d)

NOTA: Las nuevas cadenas de sierra se estiran. Compruebe la tensión de la cadena con frecuencia cuando se use por primera vez y ajústela cuando la Cadena (10) se suelte alrededor de la Barra Guía (9). (Ver la fig. 3e)

TENSIONAR LA CADENA / TORNILLO DE SUJECIÓN
Siempre revise la tensión de la cadena antes de usar la motosierra, después de los primeros cortes y regularmente durante el uso. Después del primer uso, las cadenas nuevas se pueden alargar considerablemente.

⚠ ADVERTENCIA: Desconecte la motosierra de la corriente antes de ajustar la tensión de la cadena.

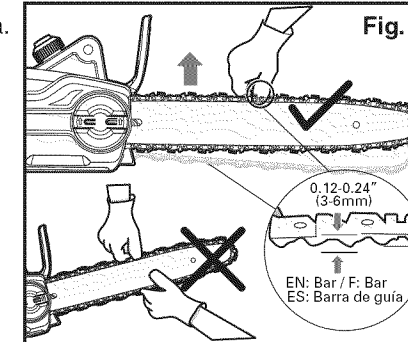
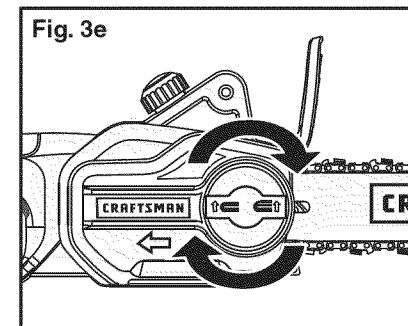
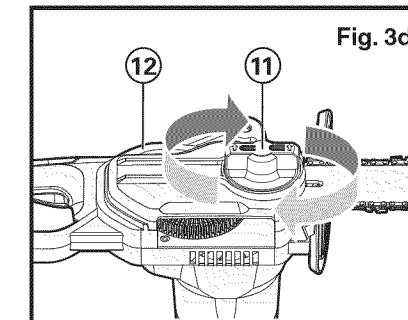
⚠ ADVERTENCIA: Los bordes de la cadena están afilados. Use guantes de protección al usar la cadena.

⚠ ADVERTENCIA: SIEMPRE Mantenga la cadena con la tensión apropiada. Una cadena suelta aumenta la probabilidad de una reculada. Una cadena suelta puede salirse de su ranura en la barra guía. Esto puede herir al operador y dañar la cadena. Una cadena suelta puede causar que la cadena, la barra de la cadena y el piñón se desgasten antes de tiempo. La vida de la cadena depende de la lubricación y la tensión apropiada. Evite tensionar la cadena cuando esté caliente, ya que esto hará que la cadena quede muy apretada cuando se enfríe y se encoja.

1. Coloque la motosierra sobre una superficie plana.
2. Gire la Perilla para Tensionar la Cadena (11) en dirección a las agujas del reloj hasta que quede apretada. La tensión se ajusta automáticamente mientras se aprieta la Perilla para Tensionar la Cadena. El mecanismo de trinquete evita que la tensión de la cadena se afloje.

3. Vuelva a comprobar la tensión establecida automáticamente por la Perilla para Tensionar la Cadena. La tensión correcta de la cadena se alcanza cuando la Cadena (10) pueda ser levantada aprox. 0.12 a 0.24" (3-6mm) de la Barra Guía (9) en el centro. Esto se debe usando la mano para levantar la cadena contra el peso de la máquina. (Ver la Fig. 4)

4. La Cadena se extenderá debido al uso y perderá la tensión adecuada. Para girar la perilla en dirección opuesta a las agujas del reloj (3x), asegure la cubierta de la cadena, y vuelva a tensar la cadena, simplemente repita los pasos del 1 al 3 arriba.



17

ENSAMBLAJE Y AJUSTES cont.

LUBRICACIÓN

⚠ CUIDADO: La motosierra NO viene con el tanque de aceite lleno. Es muy importante que se llene con aceite antes de usarse. Nunca opere la motosierra sin aceite de cadena o con el tanque de aceite vacío, ya que esto resultará en serios daños al producto. La vida de la cadena y la capacidad de corte dependen de la lubricación óptima. Por lo tanto, la cadena recibe aceite automáticamente durante el uso a través de una salida de aceite.

Llenar el tanque de aceite: (Ver las Fig.5a y 5b)

1. Coloque la motosierra sobre una superficie de manera que la tapa del tanque de aceite quede mirando hacia arriba.
2. Limpie el área alrededor de la tapa del tanque de aceite con un paño y, para desenroscarla, gire la tapa en dirección opuesta a las agujas del reloj.
3. Añada el aceite de cadena y barra hasta que el recipiente esté lleno.
4. Evite que escombros o basura entren en el tanque de aceite, enrosque la tapa otra vez y apriétela.

Fig. 5a

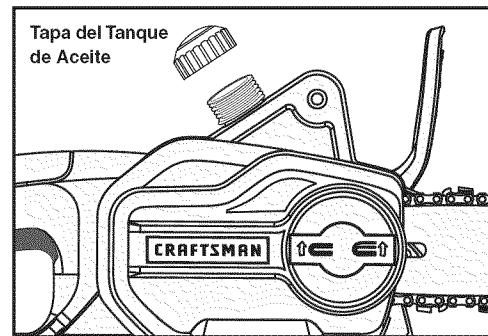
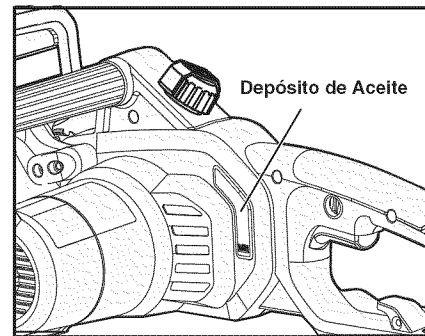


Fig. 5b



⚠ CUIDADO: Para permitir la ventilación del depósito de aceite, el tanque tiene unos pequeños canales entre la tapa y el colador. Para evitar derrames, asegúrese de que la máquina se quede en una posición horizontal (la tapa del tanque de aceite hacia arriba) cuando no esté en uso. Es muy importante usar el aceite recomendado solamente para evitar que la motosierra se dañe. Nunca use aceite reciclado o viejo. El uso de aceite no aprobado invalidará la garantía.

Revisando el Lubricador Automático

La función apropiada del lubricador automático se puede revisar al encender la cadena de la motosierra y apuntar la punta de la Barra Guía de la cadena hacia un pedazo de papel o cartón en el piso. Si se forma un patrón de aceite en incrementos en el cartón, entonces el lubricador automático está funcionando correctamente. Si no ve un patrón de aceite, aunque el depósito de aceite esté lleno, contacte a un agente de servicio al cliente o un agente de servicio apropiado.

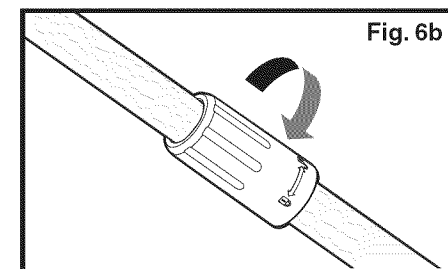
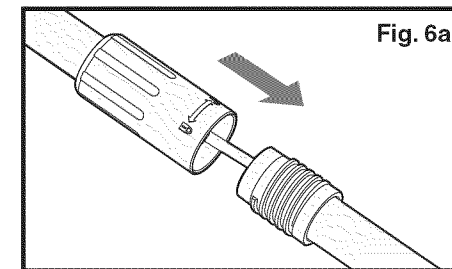
Cuidado: No toque el suelo con la cadena. Asegúrese de mantener una distancia segura de 12".

ENSAMBLAJE Y AJUSTES cont.

MONTAJE DE LA PÉRTIGA DE EXTENSIÓN

Alinee e inserte el mango de la pértiga de extensión en el eje. Gire el collar de bloqueo hacia la derecha para bloquear. (Ver las Figs. 6a y 6b)

Nota: Asegúrese de que el eje esté bien bloqueado en su lugar.

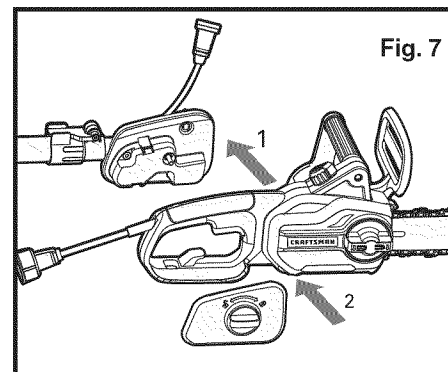


MONTAJE DE LA PÉRTIGA DE EXTENSIÓN A LA MÁQUINA

1. Inserte el soporte de la pértiga en la sierra. (Ver la fig. 7)

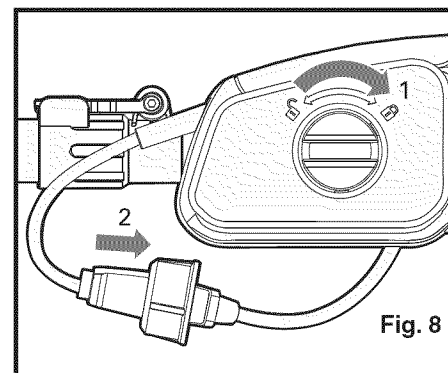
Nota: El soporte de la pértiga aguanta el gatillo en la posición de "ENCENDIDO".

2. Deslice el soporte del mango hacia el tornillo de fijación.
3. Atornille la perilla firmemente.
4. Conecte el cable de alimentación al receptáculo del cable en el extremo de la pértiga interior. (Ver la Fig. 8)



⚠ ADVERTENCIA: • Antes de conectar el cable de la máquina al cable de alimentación de la Pértiga de Extensión, asegúrese de que la herramienta esté apagada y desconectada de la toma de corriente. • Cuando use esta máquina con la Pértiga de Extensión, asegúrese de conectar primero el cable de alimentación de la máquina al cable de alimentación de la Pértiga de Extensión y, luego, conecte el cable de alimentación de la pértiga de extensión a la corriente.

• **PELIGRO DE ELECTROCUCIÓN:** Nunca use la Motosierra o la Pértiga de Extensión en un área con líneas de alta tensión o cuando la rama que se está cortando pueda entrar en contacto con líneas de alta tensión.



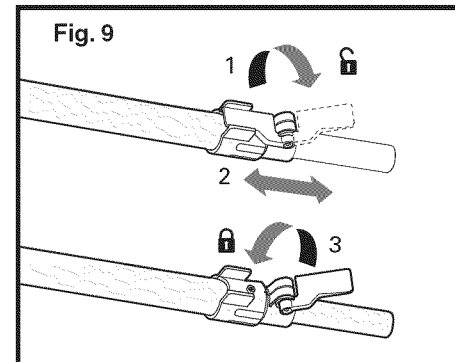
ENSAMBLAJE Y AJUSTES cont.

AJUSTANDO EL LARGO DE LA PÉRTIGA

La sierra de pértiga tiene un ensamblaje de pértiga telescópico, que se extenderá de 89.7 pulgadas (totalmente retraída) a 119.4 pulgadas (totalmente extendida).

Una pinza apalancada de leva se utiliza para mantener la pértiga en posición en cualquier longitud extendida.

1. Para extender la pértiga, afloje la palanca de sujeción como se muestra en la figura. 9. La Pértiga se deslizará libremente.
2. Tire de la sección interna de la pértiga a la longitud deseada de extensión.
Nota: extienda la pértiga solo a la longitud mínima requerida para alcanzar la extremidad que se está cortando.
3. Para bloquear la pértiga en posición, apriete la palanca de sujeción como se muestra en la Fig. 9.



OPERACIÓN

ENCENDIDO/APAGADO

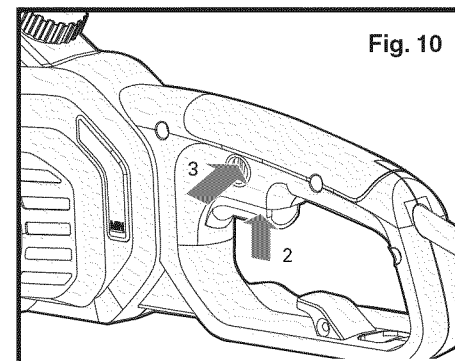
1. Encender y apagar (Ver la Fig. 10)

⚠ ATENCIÓN: Verifique la tensión y el suministro de corriente: El voltaje y la tensión de la corriente deben cumplir con las clasificaciones en la placa del producto.

Para **encender** la herramienta, presione el Botón para Poner/Quitar el Seguro (3), luego presione el Interruptor de Encendido/Apagado (2) y manténgalo en esta posición.

El Botón para Poner/Quitar el Seguro ahora se puede liberar.

Para **apagarla**, suelte el Interruptor de Encendido/Apagado.

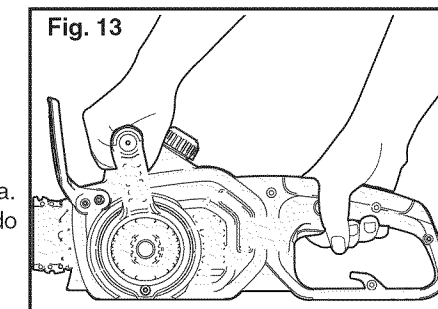
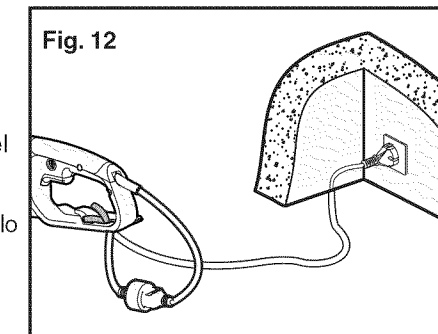
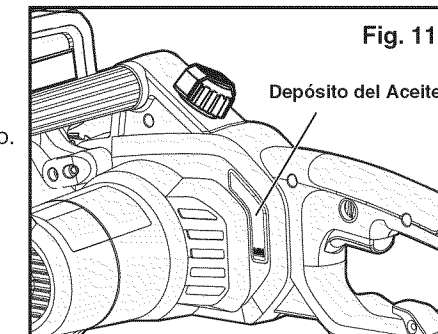


OPERACIÓN cont.

CORTAR CON LA MOTOSIERRA

⚠ IMPORTANTE: Asegúrese de que el depósito de aceite esté lleno. Compruebe la Ventana del Nivel del Aceite (ver la Fig. 11) antes de iniciar y, regularmente, durante la operación. Vuelva a llenar de aceite cuando el nivel de aceite esté bajo. Un tanque lleno de aceite durará aprox. 12 minutos dependiendo de la intensidad del corte y las paradas. Compruebe la tensión reemplazada recientemente de la cadena aproximadamente cada 10 minutos durante su operación.

1. **Conecte la sierra al cable de extensión.**
Conecte el cable de extensión a la corriente. (Ver la Fig. 12)
2. Asegúrese de que la sección del tronco a cortar no esté en el suelo. Esto evitará que la cadena toque el suelo, mientras corta a través del tronco. Tocar el suelo mientras la cadena se está moviendo, es peligroso y desafilará la Cadena.
3. Utilice las dos manos para agarrar la sierra. Siempre use la mano izquierda para agarrar el Mango Frontal y la mano derecha para agarrar el Mango Trasero. Utilice un agarre firme. Los pulgares y los dedos deben envolver los mangos de la sierra (Ver. la Fig. 13).
4. Asegúrese de tener los pies firmes. Mantenga los pies separados al ancho de los hombros. Divida su peso uniformemente en ambos pies.
5. Cuando esté listo para hacer un corte, empuje el Botón para Poner/Quitar el Seguro (3) por completo con el pulgar derecho y apriete el gatillo. Esto encenderá la sierra. Al soltar el gatillo se apaga la sierra. Asegúrese de que la sierra esté corriendo a toda velocidad antes de comenzar a cortar.
6. Al comenzar un corte, coloque lentamente la cadena en movimiento contra la madera. Sujete la sierra firmemente en su lugar para evitar un posible rebote o que patine la sierra (movimiento lateral).
7. Maneje la sierra con una presión ligera y no ponga demasiada fuerza sobre la sierra. El motor se sobrecargará y se puede quemar. Se hará el trabajo mejor y de forma más segura si se usa a la velocidad para la que fue diseñada.
8. Retire la sierra de un corte con la sierra corriendo a toda velocidad. Pare la sierra liberando el Interruptor de Encendido/Apagado (2). Asegúrese de que la cadena se ha detenido antes de soltar la sierra.
9. Siga practicando en troncos desechables en un lugar seguro para trabajar hasta que lo domine y pueda cortar con facilidad, con un movimiento fluido y a una velocidad de corte constante.



OPERACIÓN cont. CORTAR CON LA MOTOSIERRA cont.

DISPOSITIVOS DE SEGURIDAD PARA EVITAR RECALADAS CON ESTA SIERRA (ver también las páginas 10 y 11 para detalles)

Esta sierra tiene una cadena de baja reculada y una Barra Guía para reducir reculadas. Ambos elementos reducen la posibilidad de una reculada. Sin embargo, las reculadas aún pueden ocurrir con esta sierra. Los siguientes pasos ayudarán a reducir el riesgo de una reculada.

- Use ambas manos para agarrar la sierra mientras esté corriendo. Agárrela firmemente. Los pulgares y los dedos deben envolverse alrededor de los mangos de la sierra.
- Mantenga todos los elementos de seguridad en su lugar en la sierra. Asegúrese de que funcionen correctamente.
- No se estire ni corte por encima de la altura del hombro.
- Mantenga una postura sólida y un equilibrio firme en todo momento.
- Párese ligeramente al lado izquierdo de la sierra. Esto evita que su cuerpo esté en línea directa con la cadena.
- No permita que la nariz de la Barra Guía toque nada cuando la cadena se está moviendo.
- Nunca trate de cortar dos troncos al mismo tiempo. Corte solamente un tronco a la vez.
- No entierre la nariz de la Barra Guía o trate de cortar por penetración (clavando en la madera usando la nariz de la Barra Guía).
- Tenga cuidado con el desplazamiento de la madera u otras fuerzas que pueden pellizcar la cadena.
- Tenga mucho cuidado cuando vuelva a entrar a un corte ya hecho.
- Utilice solamente la cadena de baja reculada y la Barra Guía (9) que se provee con esta motosierra.
- Nunca use una cadena desafilada o suelta. Mantenga la cadena afilada con la tensión adecuada.

CÓMO USAR LA SIERRA DE FORMA SEGURA

1. Utilice la motosierra solamente cuando tenga los pies bien plantados.
2. Sujete la motosierra en el lado derecho de su cuerpo (Ver la Fig. 14).
3. La Cadena debe estar en marcha a toda velocidad antes de que haga contacto con la madera.
4. Utilice los Paragolpes con Pincho (8) para asegurar la sierra a la madera antes de empezar a cortar.
5. Utilice los Paragolpes con Pincho como un punto de apoyo durante el corte. (Ver la Fig. 15)
6. No opere la motosierra con los brazos totalmente extendidos, no intente cortar en áreas difíciles de acceder, o de pie en una escalera, mientras está cortando.

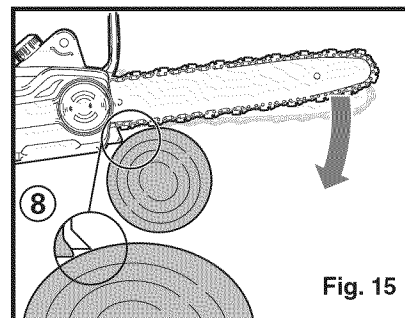


Fig. 15

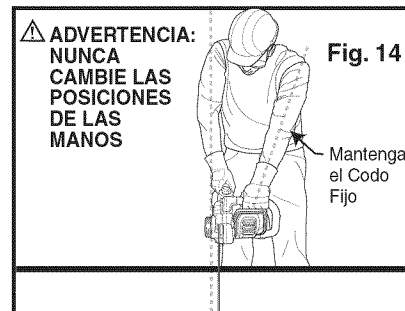


Fig. 14

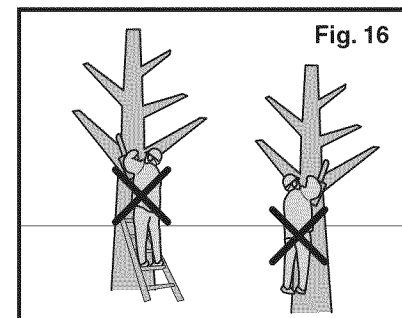


Fig. 16

NOTA: No utilice nunca la motosierra por encima de los hombros.

OPERACIÓN cont. CORTAR CON LA MOTOSIERRA cont.

CORTAR MADERA BAJO TENSIÓN (Ver la Fig. 17)

⚠ ADVERTENCIA: Cuando corte una rama que esté bajo tensión, tenga mucho cuidado. Está alerta de que la madera podría saltar hacia atrás. Cuando se libera la tensión de la madera, la rama puede rebotar y golpear al operador causando lesiones graves o la muerte.

Al cortar troncos apoyados por ambos extremos, inicie el corte desde arriba (Y) de aproximadamente 1/3 del diámetro del tronco y luego termine el corte (Z) desde abajo, con el fin de evitar el contacto de la cadena de la sierra con el suelo. Al aserrar troncos apoyados en un solo extremo, inicie el corte desde abajo (Y) aproximadamente 1/3 del diámetro del tronco y termine el corte desde arriba (Z) con el fin de evitar dividir el tronco o atascar la cadena de la sierra.

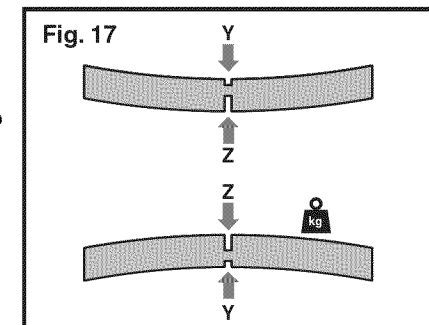


Fig. 17

INSTRUCCIONES RELACIONADAS A LAS TÉCNICAS ADECUADAS PARA TALAR, DESRAMAR, Y HACER CORTES TRANSVERSALES BÁSICOS (ver las Figuras A, B, C, D, E y F)

1. Para talar un árbol

Cuando las operaciones de tronzar y talar se llevan a cabo por dos o más personas al mismo tiempo, las operaciones de talar deberían separarse de la operación de tronzar por una distancia de por lo menos dos veces la altura del árbol que está siendo talado. Los árboles no deben ser talados de manera que ponga en peligro a cualquier persona, entren en contacto con cualquier línea de servicio público o causen daños a la propiedad. Si el árbol hace contacto con cualquier línea de servicio público, la empresa debe ser notificada de inmediato.

El operador de la motosierra debe mantenerse en el lado cuesta arriba del terreno ya que es probable que el árbol ruede o se deslice cuesta abajo después de caer. Una ruta de escape debe ser planeada y despejada como sea necesario antes de que se inicien los cortes.

La ruta de escape debe extenderse hacia atrás y en diagonal hacia la parte posterior de la línea donde se espera la caída, como se ilustra en la Figura A. pág. 24. Antes de iniciar el corte, considere la inclinación natural del árbol, la ubicación de las ramas más grandes y la dirección del viento para considerar la dirección de la caída del árbol.

Elimine la suciedad, piedras, cortezas sueltas, clavos, grapas y alambres del árbol.

2. Corte de dirección

Haga el corte de 1/3 del diámetro del árbol, perpendicular a la dirección de la caída como se ilustra en la Figura A. en la pág. 24. Haga el corte horizontal inferior primero.

Esto ayudará a evitar que se pellizque la cadena de la sierra o la barra guía cuando se está haciendo el segundo corte.

3. Corte de caída

Haga el corte de caída por lo menos 50 mm (2 pulgadas) por encima del corte de dirección horizontal como se ilustra en la Figura A en la pág. 24. Mantenga el corte de caída paralelo al corte de dirección horizontal. Haga el corte de caída de modo que suficiente madera se deje para actuar como una bisagra. La bisagra de madera evita que el árbol se tuerza y se caiga en la dirección contraria. No corte a través de la bisagra.

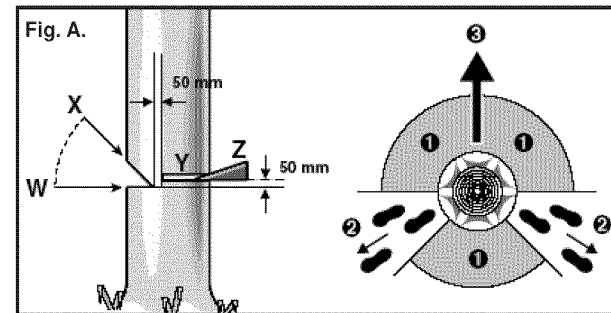
OPERACIÓN cont.**CORTAR CON LA MOTOSIERRA cont.**

INSTRUCCIONES RELACIONADAS A LAS TÉCNICAS ADECUADAS PARA TALAR, DESRAMAR, Y HACER CORTES TRANSVERSALES BÁSICOS (ver las Figuras A, B, C, D, E y F) cont.

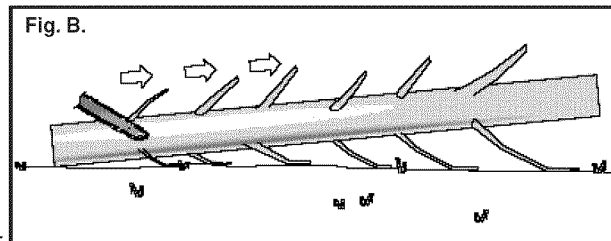
3. Corte de caída cont.

A medida que la tala se acerca a la bisagra, el árbol comenzará a caer. Si hay alguna posibilidad de que el árbol pueda no caer en la dirección deseada o pueda mecarse hacia atrás y enlazar la cadena de la sierra, deje de cortar antes de que el corte de caída sea completado y utilice cuñas de madera, plástico o aluminio para abrir el corte y dejar caer el árbol a lo largo de la línea de caída deseada.

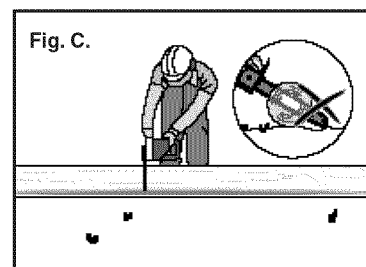
Cuando el árbol empiece a caer quite la motosierra del corte, detenga el motor, suelte la motosierra, y luego utilice la zona de retiro planeada. Esté alerta en cuanto a ramas que puedan caer sobre su cabeza y observe bien donde pisa.

**4. CORTAR LAS RAMAS DE UN ÁRBOL**

Este es el proceso de cortar las ramas de un árbol caído. Al cortar las ramas, deje las ramas más grandes y bajas para lo último ya que ayudan a apoyar al árbol en el piso. Retire las ramas pequeñas con un corte según está ilustrado en la Fig. B. Las ramas que están bajo tensión se deben cortar de abajo hacia arriba para evitar que la sierra quede atrapada.

**5. TRONZADO DE UN TRONCO**

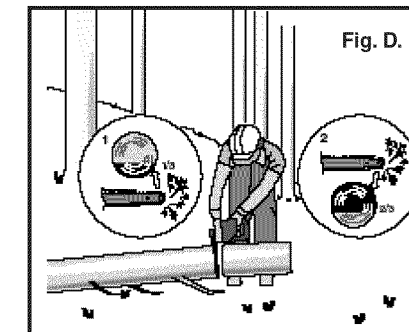
Tronzar es cortar un tronco en trozos largos. Es muy importante asegurarse de que sus pies estén bien plantados y que su peso esté bien distribuido en ambos pies. Siempre que sea posible, el tronco se debe levantar y apoyar sobre ramas, troncos o cuñas. Siga las instrucciones sencillas para cortar fácilmente. Cuando el tronco esté apoyado a todo lo largo, según está ilustrado en la Fig. C, se debe cortar desde arriba (overbuck).

**OPERACIÓN cont.****CORTAR CON LA MOTOSIERRA cont.**

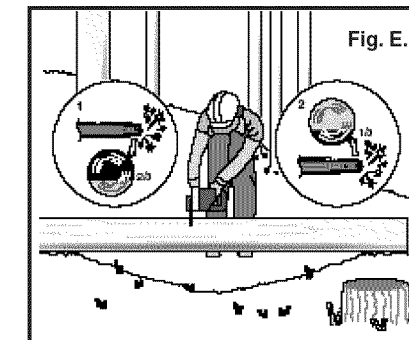
INSTRUCCIONES RELACIONADAS A LAS TÉCNICAS ADECUADAS PARA TALAR, DESRAMAR, Y HACER CORTES TRANSVERSALES BÁSICOS (ver las Figuras A, B, C, D, E y F) cont.

TRONZADO DE UN TRONCO cont.

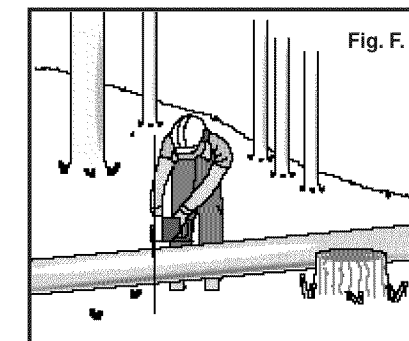
Cuando el tronco esté apoyado por un solo lado, según está ilustrado en la Fig. D, corte 1/3 del diámetro desde abajo (underbuck). Luego haga el último corte desde arriba hasta unirse con el corte de abajo.



Cuando el tronco esté apoyado por ambos lados, según está ilustrado en la Fig. E, se debe cortar 1/3 del diámetro desde arriba (overbuck). Luego se debe terminar el corte 2/3 desde abajo hasta unirse con el primer corte.



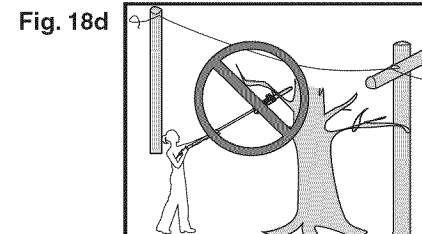
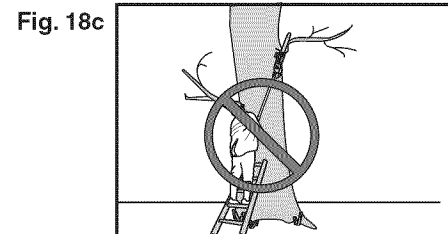
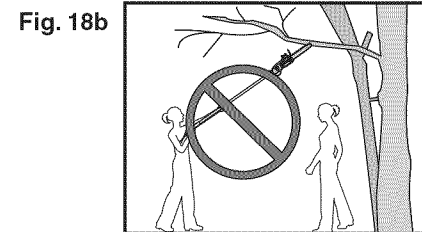
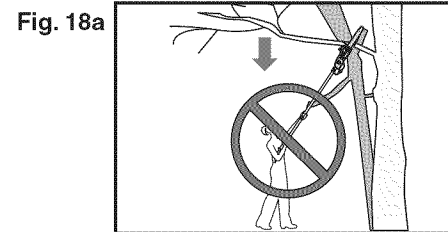
Al trabajar en una pendiente, trabaje desde la parte cuesta arriba del tronco según está ilustrado en la Fig. F. Al terminar un corte, para mantener un buen control libere la presión del corte hacia el final del corte sin relajar su agarre en los mangos de la motosierra. No deje que la cadena entre en contacto con el suelo. Después de completar el corte, espere a que la cadena de la sierra pare antes de mover la motosierra. Siempre detenga el motor antes de moverse de un árbol a otro.



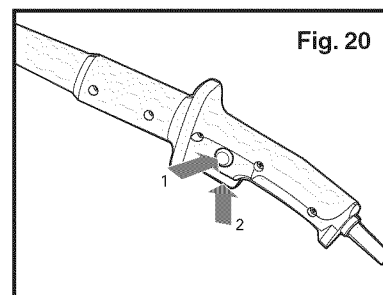
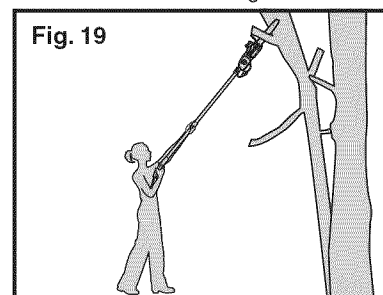
OPERACIÓN DE LA SIERRA DE PÉRTIGA Cortar con la pértiga de extensión

1. Conecte la sierra al cable de extensión. Conecte el cable de extensión a la corriente. Antes de cortar una rama alta, considere todos los mismos puntos que se detallan en la sección anterior, pero preste especial atención a la posible trayectoria de la rama en caída.

⚠ ADVERTENCIA: No se pare directamente debajo de una rama que se esté cortando. Mantenga a las personas lejos. No se pare sobre una escalera o cualquier otro tipo de soporte inestable mientras esté usando la herramienta. No utilice la herramienta cerca de cables, energía eléctrica o líneas telefónicas. Mantenga 10 pies (3 metros) de distancia de todas las líneas eléctricas. (Ver las figuras 18a, b, c, y d)



- Utilice las dos manos para agarrar la Sierra de Pértiga. Utilice solamente las zonas de agarre designadas cuando se opera la Sierra de Pértiga (Ver la Fig. 19). Agárrela firmemente. Los pulgares y los dedos deben envolverse alrededor del mango y la pértiga de la Sierra de Pértiga.
- Asegúrese de que sus pies estén firmes. Mantenga los pies separados. Divida su peso uniformemente en ambos pies.
- Cuando esté listo para hacer un corte, pulse el Botón para Poner/Quitar el Seguro, y luego pulse completamente el Interruptor de Encendido/Apagado (Ver la Fig. 20). Esto encenderá la Sierra de Pértiga. Liberar el Interruptor de Encendido/Apagado apagará la Sierra de Pértiga. Asegúrese de que la sierra está funcionando a toda velocidad antes de comenzar a cortar.
- Al comenzar un corte, coloque la cadena en movimiento contra la madera. Sujete la Sierra de Pértiga firmemente en su lugar para evitar posibles rebotes o que patine (movimiento lateral) la sierra.
- Guíe la Sierra de Pértiga ejerciendo una ligera presión. No fuerce la Sierra de Pértiga. El motor se sobrecargará y se puede quemar. Se hará el trabajo mejor y más seguro a la velocidad para la que está destinada.
- Retire la Sierra de Pértiga de un corte con la sierra corriendo a toda velocidad. Detenga la Sierra de Pértiga soltando el gatillo. Asegúrese de que la cadena se haya detenido antes de soltar la Sierra de Pértiga.



26

OPERACIÓN DE LA SIERRA DE PÉRTIGA

RECORTAR UN ÁRBOL (PODAR)

⚠ ADVERTENCIA: Evite una reculada. Las reculadas pueden resultar en lesiones graves o la muerte. Ver Reculadas, para evitar el riesgo de una reculada.

⚠ ADVERTENCIA: No opere la Sierra de Pértiga: • en un árbol • sobre una escalera o cualquier otra superficie inestable • en cualquier posición incómoda **USTED PUEDE PERDER EL CONTROL DE LA SIERRA DE PÉRTIGA CAUSANDO LESIONES GRAVES.**

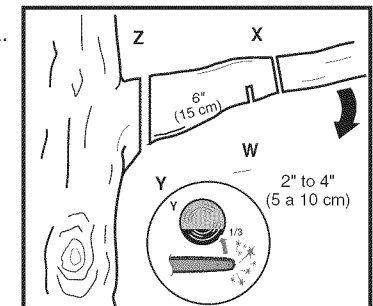
⚠ ADVERTENCIA: No extienda los brazos por encima de los hombros al usar la Sierra de Pértiga.

⚠ CUIDADO: Busque ayuda profesional si enfrenta condiciones más allá de su capacidad.

Recortar un árbol es el proceso de cortar ramas de un árbol vivo. Asegúrese de tener los pies firmes. Mantenga los pies separados. Divida su peso uniformemente en ambos pies.

Siga las instrucciones de abajo para recortar un árbol.

- Haga el primer corte a seis centímetros del tronco del árbol en la parte inferior de la rama. Utilice la parte superior de la barra guía para hacer este corte. Corte 1/3 del diámetro de la rama (Ver la Fig. 21).
- Muévase de dos a cuatro pulgadas más lejos de la rama. Haga un segundo corte desde arriba de la rama. Continúe cortando hasta que corte por completo el extremo de la rama.
- Haga un tercer corte lo más cerca posible al tronco del árbol en la parte inferior del extremo de la rama. Utilice la parte superior de la barra guía para hacer este corte. Corte 1/3 a través del diámetro del extremo de la rama.
- Haga un cuarto corte directamente encima del tercer corte. Corte hasta abajo hasta llegar al tercer corte. Esto eliminará el extremo de la rama.



MANTENIMIENTO DE LA SIERRA

Siga las instrucciones de mantenimiento de este manual. La limpieza adecuada de la sierra y de la cadena, y el mantenimiento de la Barra Guía puede reducir las posibilidades de reculadas. Inspeccione y dele mantenimiento a la sierra después de cada uso. Esto aumentará la vida útil de la sierra.

Nota: Incluso al afilarse adecuadamente, el riesgo de reculadas aumenta cada vez que se afila.

MANTENIMIENTO Y ALMACENAMIENTO DE LA MOTOSIERRA

Si es necesaria la sustitución del cable de alimentación, esto tiene que ser hecho por el fabricante o su representante con el fin de evitar un peligro para la seguridad.

- Desconecte la motosierra de la corriente
 - Cuando no esté en uso
 - Antes de moverla de un lugar a otro
 - Antes de darle mantenimiento
 - Antes de cambiar accesorios o complementos, tales como cadena de la sierra y el protector
- Inspeccione la motosierra antes y después de cada uso. Verifique la sierra de cerca para ver si el protector u otra parte han sido dañadas. Compruebe si hay cualquier daño que pueda afectar la seguridad del operador o el funcionamiento de la sierra. Verifique la alineación o el atoramiento de las piezas móviles. Compruebe si hay piezas rotas o dañadas.
 - No utilice la motosierra si el daño afecta a la seguridad o el funcionamiento.
 - Repare el daño en un centro de servicio autorizado.

27

MANTENIMIENTO Y ALMACENAMIENTO DE LA MOTOSIERRA cont.

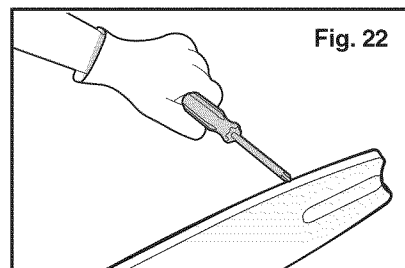
- Mantener la motosierra con cuidado.
 - Nunca exponga la sierra a la lluvia.
 - Mantenga la cadena afilada, limpia y lubricada para un desempeño mejor y más seguro.
 - Siga los pasos descritos en este manual para afilar la cadena.
 - Mantenga los mangos secos, limpios y libres de aceite y grasa.
 - Mantenga todos los tornillos y tuercas apretados.
 - Inspeccione el cable de alimentación a menudo. Si está dañado, llévelo a reparar a un centro de servicio autorizado.
 - Nunca cargue la motosierra por el cable de alimentación.
 - Nunca tire del cable de alimentación para desconectarlo.
 - Mantenga el cable de alimentación lejos del calor, aceite y bordes afilados.
 - Inspeccione los cables de extensión a menudo y reemplácelos si están dañados.
- Al dar mantenimiento, use sólo piezas de repuesto idénticas.
- Cuando no esté en uso, siempre guarde la motosierra
 - en un lugar alto o bajo llave, fuera del alcance de los niños
 - en un lugar seco

MANTENIMIENTO DE LA BARRA

Para maximizar la vida de la barra, se recomienda el siguiente mantenimiento de la barra. Los rieles de la barra que llevan la cadena se deben limpiar antes de almacenar la máquina o si la barra o la cadena parecen estar sucios. Los rieles deben limpiarse cada vez que se quite la cadena. Invierta la barra, convirtiendo el riel superior en la parte inferior y el riel inferior en la parte superior, cada 5 horas de uso aproximadamente.

PARA LIMPIAR LOS RIELES DE LA BARRA:

- Retire la tapa de la cadena, la barra y la cadena. (ver sección de ENSAMBLAJE)
- Usando un cepillo de alambre, un destornillador o una herramienta similar, limpie el residuo de la ranura interior de la barra. (Ver la Fig. 22)
- Asegúrese de limpiar los conductos de aceite completamente.



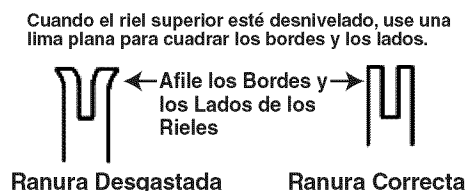
CONDICIONES QUE REQUIEREN EL MANTENIMIENTO DE LA BARRA GUÍA

- La sierra corta hacia un lado o en ángulo.
- La sierra tiene que ser forzada a través del corte.
- Cantidad inadecuada de lubricante para la barra y la cadena.

Revise el estado de la Barra Guía cada vez que se afile la cadena.

Una Barra Guía desgastada dañará la cadena y dificultará el corte. Después de cada uso, con la unidad desconectada de la corriente, limpie todo el aserrín de la Barra Guía y del orificio del engranaje.

Sustituya la Barra Guía cuando la ranura esté gastada, torcida o resquebrajada, o si se produce un calentamiento excesivo o formación de protuberancias en los rieles. Si es necesario cambiarla, use solamente la Barra Guía especificada para su sierra en la lista de las piezas de reparación o en la etiqueta ubicada en la motosierra.



MANTENIMIENTO Y ALMACENAMIENTO DE LA MOTOSIERRA cont.

REEMPLAZO DE LA BARRA Y LA CADENA

Reemplace la cadena cuando los cortadores estén demasiado desgastados para afilar o cuando se pare la cadena.

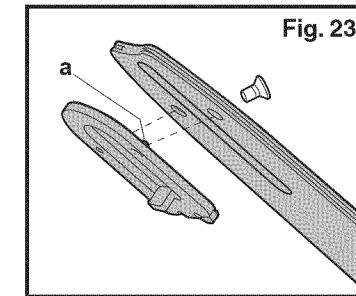
Sólo utilice la cadena de repuesto señalada en este manual.

Incluya siempre un Piñón o Rueda Dentada nueva (llamado 15 en la Fig. 1), al cambiar la cadena.

Esto mantendrá el manejo adecuado de la cadena. Inspeccione la Barra Guía antes de sustituir la cadena. Una Barra Guía desgastada o dañada no es segura. Una Barra Guía desgastada o dañada dañará la cadena. También hará más difícil el cortar.

Ajuste el Plato para Tensionar la Barra (llamado 22 en la Fig. 1) a la nueva barra apretando el tornillo en dirección a las agujas del reloj.

La pieza catch protrude (a) debe ser colocada en el agujero de la barra. (Ver la Fig. 23)



AFILAR LA CADENA DE LA SIERRA

ADVERTENCIA: Desconecte la motosierra de la corriente antes de darle mantenimiento. Lesiones graves o la muerte pueden ocurrir por descargas eléctricas o el contacto del cuerpo con la cadena en movimiento. Los bordes de corte en la cadena son afilados. Use guantes de protección al manipular la cadena.

Mantenga la cadena afilada. Su sierra cortará más rápido y de forma más segura. Una cadena sin filo causará el desgaste indebido del piñón, la barra guía, la cadena y el motor. Si tiene que forzar la cadena en la madera y el corte crea sólo aserrín con algunas fichas grandes, la cadena está desafilada.

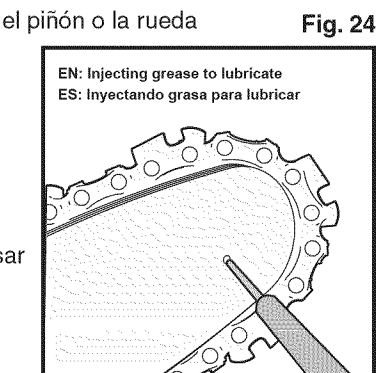
LUBRICAR EL PIÑÓN

ADVERTENCIA: Use guantes de trabajo al realizar cualquier tipo de mantenimiento o servicio a esta herramienta. Desconecte siempre la herramienta antes de darle cualquier servicio o mantenimiento.

Nota:

No es necesario quitar la cadena o la barra para lubricar el piñón o la rueda dentada.

- Limpie la barra y el piñón.
- Usando una pistola de engrase, inserte la punta de la pistola en el orificio de lubricación e inyecte la grasa hasta que salga por el borde exterior del piñón. (Ver la Fig. 24)
- Para girar el piñón, libere la parada de la cadena y tire de la cadena con la mano hasta que el lado sin engrasar de la rueda dentada esté en línea con el agujero de la grasa. Repita el procedimiento de lubricación.



SOLUCIÓN DE PROBLEMAS

La siguiente tabla muestra los controles y las acciones que puede realizar si su equipo no funciona correctamente. Si no se identifica/remedia el problema, póngase en contacto con su agente de servicio.

ADVERTENCIA: Apague y desconecte el enchufe de la corriente antes de investigar averías.

SÍNTOMA	POSIBLE	CAUSA
La sierra no funciona	No hay corriente El enchufe principal está roto El cable de extensión está dañado	Revise la fuente de energía Use otro enchufe Revise/cambie el cable
La sierra funciona de manera intermitente	El cable de extensión está dañado Conexión floja El cableado interno está defectuoso Encendido/apagado defectuoso	Revise/cambie el cable Contacte a un agente de servicio Contacte a un agente de servicio Contacte a un agente de servicio
La cadena está seca	No hay aceite en el depósito Rejilla dentro de la tapa del tanque de aceite está obstruida El conducto de aceite está obstruido	Rellene el aceite Limpie la Tapa Limpie el conducto de aceite
La cadena/barra de la cadena se sobrecalienta	No hay aceite en el depósito Rejilla dentro de la tapa del tanque de aceite está obstruida El conducto de aceite está obstruido La cadena está sobre tensionada La cadena no tiene filo	Rellene el aceite Limpie la tapa Limpie el conducto del aceite Ajuste el tornillo de sujeción Afile la cadena o cámbiela
La cadena se rasga, vibra, no corta de la manera apropiada	La tensión de la cadena está muy floja La cadena no tiene filo La cadena está desgastada Los dientes de la cadena están en la dirección incorrecta	Ajuste el tornillo de sujeción Afile la cadena o cámbiela Cambie la cadena Ensamble con la cadena en la dirección correcta

¿NECESITA MÁS AYUDA?

Encontrará respuestas y más en managemyhome.com - ¡gratis!

- Encuentre éste y todos nuestros manuales de producto en Internet.
- Obtenga respuestas de nuestro equipo de expertos de casa.
- Obtenga un plan de mantenimiento personalizado para su casa.
- Encuentre información y herramientas útiles para proyectos del hogar.

dirige  casa
traído a ti por Sears