

THANK YOU for purchasing this high-quality product. If you should experience a problem not covered in TROUBLESHOOTING, please visit our website at www.kitchenaid.ca for additional information. If you still need assistance, call us at 1-800-807-6777.

You will need your model and serial number located on the oven frame behind the top right side of the oven door.

Table of Contents

RANGE SAFETY	2
The Anti-Tip Bracket	2
FEATURE GUIDE	4
COOKTOP USE	6
Cookware	8
Home Canning	8
OVEN USE	9
Electronic Oven Controls	9
Sabbath Mode	10
Aluminum Foil.....	10
Positioning Racks and Bakeware	11
Split Oven Rack (on some models)	11
Oven Vent.....	12
Baking and Roasting.....	12
Broiling	12
Convection Cooking	12
EasyConvect™ Conversion.....	13
Proofing Bread	13
Cook Time.....	14
RANGE CARE	14
Clean Cycle	14
General Cleaning.....	15
Oven Light.....	16
Appliance Outlets (on some models).....	16
TROUBLESHOOTING	17
ACCESSORIES	18
WARRANTY	19

RANGE SAFETY

Your safety and the safety of others are very important.

We have provided many important safety messages in this manual and on your appliance. Always read and obey all safety messages.



This is the safety alert symbol.

This symbol alerts you to potential hazards that can kill or hurt you and others.

All safety messages will follow the safety alert symbol and either the word "DANGER" or "WARNING."

These words mean:

⚠ DANGER

You can be killed or seriously injured if you don't immediately follow instructions.

⚠ WARNING

You can be killed or seriously injured if you don't follow instructions.

All safety messages will tell you what the potential hazard is, tell you how to reduce the chance of injury, and tell you what can happen if the instructions are not followed.

The Anti-Tip Bracket

The range will not tip during normal use. However, the range can tip if you apply too much force or weight to the open door without having the anti-tip bracket fastened down properly.



⚠ WARNING

Tip Over Hazard

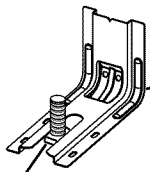
A child or adult can tip the range and be killed.

Verify the anti-tip bracket has been properly installed and engaged per installation instructions.

Re-engage anti-tip bracket if range is moved.

Do not operate range without anti-tip bracket installed and engaged.

Failure to follow these instructions can result in death or serious burns to children and adults.



Anti-Tip Bracket

Range Foot

To verify the anti-tip bracket is installed and engaged:

- Slide range forward.
- Look for the anti-tip bracket securely attached to floor or wall.
- Slide range back so rear range foot is under anti-tip bracket.
- See installation instructions for details.

IMPORTANT SAFETY INSTRUCTIONS

WARNING: To reduce the risk of fire, electrical shock, injury to persons, or damage when using the range, follow basic precautions, including the following:

- **WARNING:** TO REDUCE THE RISK OF TIPPING OF THE RANGE, THE RANGE MUST BE SECURED BY PROPERLY INSTALLED ANTI-TIP DEVICES. TO CHECK IF THE DEVICES ARE INSTALLED PROPERLY, SLIDE RANGE FORWARD, LOOK FOR ANTI-TIP BRACKET SECURELY ATTACHED TO FLOOR OR WALL, AND SLIDE RANGE BACK SO REAR RANGE FOOT IS UNDER ANTI-TIP BRACKET.
- **CAUTION:** Do not store items of interest to children in cabinets above a range or on the backguard of a range – children climbing on the range to reach items could be seriously injured.
- Proper Installation – Be sure the range is properly installed and grounded by a qualified technician.
- Never Use the Range for Warming or Heating the Room.
- Do Not Leave Children Alone – Children should not be left alone or unattended in area where the range is in use. They should never be allowed to sit or stand on any part of the range.
- Wear Proper Apparel – Loose-fitting or hanging garments should never be worn while using the range.
- User Servicing – Do not repair or replace any part of the range unless specifically recommended in the manual. All other servicing should be referred to a qualified technician.
- Storage in or on the Range – Flammable materials should not be stored in an oven or near surface units.
- Do Not Use Water on Grease Fires – Smother fire or flame or use dry chemical or foam-type extinguisher.
- Use Only Dry Potholders – Moist or damp potholders on hot surfaces may result in burns from steam. Do not let potholder touch hot heating elements. Do not use a towel or other bulky cloth.
- DO NOT TOUCH SURFACE UNITS OR AREAS NEAR UNITS – Surface units may be hot even though they are dark in color. Areas near surface units may become hot enough to cause burns. During and after use, do not touch, or let clothing or other flammable materials contact surface units or areas near units until they have had sufficient time to cool. Among those areas are the cooktop and surfaces facing the cooktop.
- Use Proper Pan Size – The range is equipped with one or more surface units of different size. Select utensils having flat bottoms large enough to cover the surface unit heating element. The use of undersized utensils will expose a portion of the heating element to direct contact and may result in ignition of clothing. Proper relationship of utensil to burner will also improve efficiency.
- Never Leave Surface Units Unattended at High Heat Settings – Boilover causes smoking and greasy spillovers that may ignite.
- Make Sure Reflector Pans or Drip Bowls Are in Place – Absence of these pans or bowls during cooking may subject wiring or components underneath to damage.

- Protective Liners – Do not use aluminum foil to line surface unit drip bowls or oven bottoms, except as suggested in the manual. Improper installation of these liners may result in a risk of electric shock, or fire.
- Glazed Cooking Utensils – Only certain types of glass, glass/ceramic, ceramic, earthenware, or other glazed utensils are suitable for range-top service without breaking due to the sudden change in temperature.
- Utensil Handles Should Be Turned Inward and Not Extend Over Adjacent Surface Units – To reduce the risk of burns, ignition of flammable materials, and spillage due to unintentional contact with the utensil, the handle of a utensil should be positioned so that it is turned inward, and does not extend over adjacent surface units.
- Do Not Soak Removable Heating Elements – Heating elements should never be immersed in water.
- Do Not Cook on Broken Cooktop – If cooktop should break, cleaning solutions and spillovers may penetrate the broken cooktop and create a risk of electric shock. Contact a qualified technician immediately.
- Clean Cooktop With Caution – If a wet sponge or cloth is used to wipe spills on a hot cooking area, be careful to avoid steam burn. Some cleaners can produce noxious fumes if applied to a hot surface.
- Use Care When Opening Door – Let hot air or steam escape before removing or replacing food.
- Do Not Heat Unopened Food Containers – Build-up of pressure may cause container to burst and result in injury.
- Keep Oven Vent Ducts Unobstructed.
- Placement of Oven Racks – Always place oven racks in desired location while oven is cool. If rack must be moved while oven is hot, do not let potholder contact hot heating element in oven.
- DO NOT TOUCH HEATING ELEMENTS OR INTERIOR SURFACES OF OVEN – Heating elements may be hot even though they are dark in color. Interior surfaces of an oven become hot enough to cause burns. During and after use, do not touch, or let clothing or other flammable materials contact heating elements or interior surfaces of oven until they have had sufficient time to cool. Other surfaces of the appliance may become hot enough to cause burns – among these surfaces are oven vent openings and surfaces near these openings, oven doors, and windows of oven doors.

For self-cleaning ranges –

- Do Not Clean Door Gasket – The door gasket is essential for a good seal. Care should be taken not to rub, damage, or move the gasket.
- Do Not Use Oven Cleaners – No commercial oven cleaner or oven liner protective coating of any kind should be used in or around any part of the oven.
- Clean Only Parts Listed in Manual.
- Before Self-Cleaning the Oven – Remove broiler pan and other utensils.

For units with ventilating hood –

- Clean Ventilating Hoods Frequently – Grease should not be allowed to accumulate on hood or filter.
- When flambeing foods under the hood, turn the fan on.

SAVE THESE INSTRUCTIONS

FEATURE GUIDE

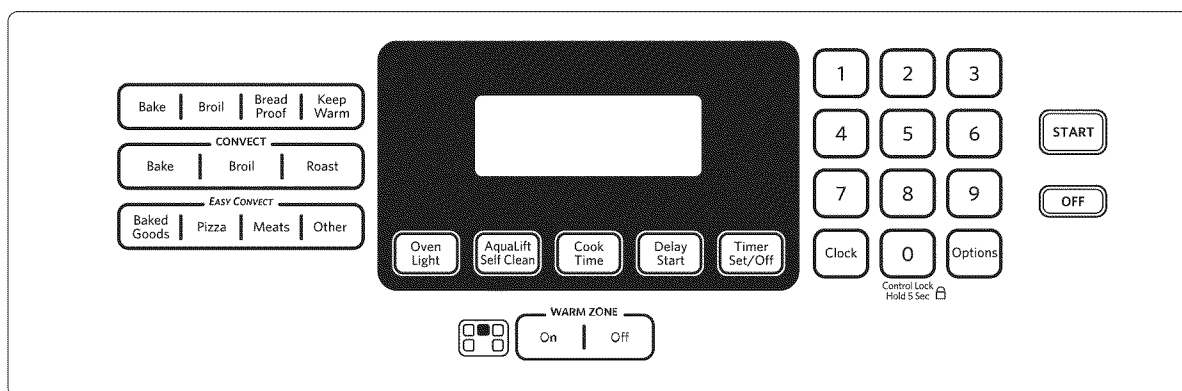
This manual covers several models. Your model may have some or all of the items listed. Refer to this manual or the Customer Service section of our website at www.kitchenaid.ca for more detailed instructions.

⚠ WARNING

Food Poisoning Hazard

Do not let food sit in oven more than one hour before or after cooking.

Doing so can result in food poisoning or sickness.



KEYPAD	FEATURE	INSTRUCTIONS
CLOCK	Clock	This clock can use a 12- or 24-hour cycle. See "Electronic Oven Controls" section. <ol style="list-style-type: none"> 1. Press CLOCK. 2. Press "3" for AM or "6" for PM. 3. Press the number keypads to set the time of day. 4. Press START.
OVEN LIGHT	Oven cavity light	While the oven door is closed, press the OVEN LIGHT keypad to turn the light on and off. The oven light will come on when the oven door is opened.
TIMER (Set/Off)	Oven timer	The Timer can be set in hours or minutes up to 9 hours and 59 minutes. <ol style="list-style-type: none"> 1. Press TIMER. 2. Press the number keypads to set the length of time in hr-min-min. Leading zeroes do not have to be entered. For example, for 2 minutes, enter "2." 3. Press TIMER to begin the countdown. If enabled, end-of-cycle tones will sound at end of countdown. 4. Press TIMER to cancel the Timer and return to the time of day. Do not press the Off keypad because the oven will turn off.
START	Cooking start	The Start pad begins any oven function. If Start is not pressed within 2 minutes after pressing a keypad, the function is canceled and the time of day is displayed.
OFF	Range function	The Off keypad stops any oven function except the Clock, Timer and Control Lock.
BAKE	Baking and roasting	<ol style="list-style-type: none"> 1. Press BAKE. 2. Press the number keypads to set a temperature other than 350°F (175°C) in 5° increments between 170°F and 500°F (75°C and 260°C). 3. Press START. 4. To change the temperature, repeat Step 2. Press START for the change to take effect. 5. Press OFF when finished.
BROIL	Broiling	<ol style="list-style-type: none"> 1. Press BROIL. 2. Select the broiling temperature by pressing 1 - high (500°F [260°C]), 2 - medium (450°F [232°C]) or 3 - low (400°F [204°C]). 3. Press START and allow the oven to preheat for 5 minutes. 4. Position the cookware in the oven and leave the door open 6" (15 cm) at the broil stop position. 5. Press OFF when finished.

KEYPAD	FEATURE	INSTRUCTIONS
CONVECT BAKE	Convection cooking	<ol style="list-style-type: none"> 1. Press CONVECT BAKE. 2. Press the number keypads to set a temperature other than 350°F (177°C) in 5° increments between 170°F and 500°F (77°C and 260°C). 3. Press START. 4. To change the temperature, repeat Step 2. Press START for the change to take effect. 5. Press OFF when finished.
CONVECT ROAST	Convection cooking	<ol style="list-style-type: none"> 1. Press CONVECT ROAST. 2. Press the number keypads to set a temperature other than 325°F (163°C) in 5° increments between 170°F and 500°F (77°C and 260°C). 3. Press START. 4. To change the temperature, repeat Step 2. Press START for the change to take effect. 5. Press OFF when finished.
CONVECT BROIL	Convection cooking	<ol style="list-style-type: none"> 1. Press CONVECT BROIL. 2. Press the number keypads to set a temperature other than 325°F (163°C) in 5° increments between 170°F and 500°F (77°C and 260°C). 3. Press START. 4. To change the temperature, repeat Step 2. Press START for the change to take effect. 5. Press OFF when finished.
EASYCONVECT™ CONVERSION	Recipe conversion for convection cooking	<p>NOTE: For best results, preheat your oven to the desired temperature prior to using EasyConvect™ Conversion. After preheating is complete, press the OFF key before using EasyConvect™ Conversion.</p> <ol style="list-style-type: none"> 1. Press the appropriate EasyConvect™ key (MEATS, PIZZA, BAKED GOODS or OTHER). 2. Press the number pads to enter the standard cook temperature then press START. 3. Press the number pads to enter the standard cook time then press START. 4. Place food in the oven at the appropriate time. Check food for doneness before the stop time is reached. If food will not be done when stop time is reached, add more cooking time before time elapses. See “Cook Time” section. At the end of the stop time, the oven will automatically turn off. 5. Press OFF when finished. <p>Refer to the “EasyConvect™ Conversion” section for more information</p>
BREAD PROOF	Proofing bread	<ol style="list-style-type: none"> 1. Press BREAD PROOF until the desired proof is displayed (“Standrd” or “Rapid”). NOTE: “Rapid” operates at a slightly higher temperature for second rise of formed dough. 2. Press START. Let the dough rise until nearly doubled in size. Proofing time may vary depending on dough type and quantity. 3. Press OFF when finished proofing. <p>Refer to the “Proofing Bread” section for more information.</p>
KEEP WARM	Hold warm	<p>Food must be at serving temperature before placing it in the warmed oven.</p> <ol style="list-style-type: none"> 1. Press KEEP WARM. 2. Set temperature between 145°F (63°C) and 190°F (88°C) using the number keypads. The default temperature is 170°F (77°C). 3. Press START. 4. Press OFF when finished.
DELAY START	Delayed start	The Delay Start keypad is used to enter the starting time for an oven function with a delayed start.
COOK TIME	Timed cooking	<p>Cook Time allows the oven to be set to turn on at a certain time of day, cook for a set length of time, and/or shut off automatically. Delay Start should not be used for foods such as breads and cakes because they may not bake properly.</p> <p>To set a Timed Cook or a Delayed Timed Cook, see “Cook Time” section.</p>
WARM ZONE ON/OFF	Warming zone	<p>Press WARM ZONE ON to select the warming element on the cooktop, then press START.</p> <p>Press WARM ZONE OFF to turn off the warming element.</p>
AQUALIFT SELF CLEAN	AquaLift™ self-clean cycle	See the “Clean Cycle” section.

KEYPAD	FEATURE	INSTRUCTIONS
CONTROL LOCK hold 3 sec.	Oven control lockout	No keypads will function with the controls locked. <ol style="list-style-type: none"> 1. Check that the oven and the Timer are off. 2. Press and hold the "0" keypad for 3 seconds. 3. If enabled, a tone will sound, and "CONTROL LOCKED" will be displayed. 4. Repeat to unlock.
OPTIONS	Oven use functions	Enables you to personalize the audible tones and oven operation to suit your needs. See the "Oven Use" section.

COOKTOP USE

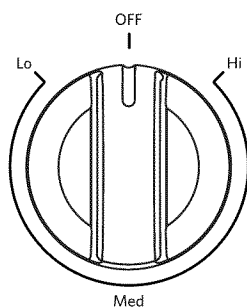
⚠ WARNING



Fire Hazard

Turn off all controls when done cooking.

Failure to do so can result in death or fire.



The control knobs can be set to anywhere between HI and LO. Push in and turn to setting.

REMEMBER: When range is in use, the entire cooktop area may become hot.

Ceramic Glass

The surface cooking area will glow red when an element is on. Some parts of the surface cooking area may not glow red when an element is on. This is normal operation. It will also randomly cycle off and back on again, even while on High, to keep the cooktop from extreme temperatures.

It is normal for the surface of ceramic glass to appear to change color when surface cooking areas are hot. As the glass cools, it will return to its original color.

Clean the cooktop after each use to help avoid scratches, pitting, abrasions and to condition the glass surface. Ceramic glass cooktop cleaner and a cooktop scraper are also recommended for stubborn soils. Do not use abrasive cleaners, cleaning pads or harsh chemicals for cleaning. The Cooktop Care Kit Part Number 31605 contains all of the items needed to clean and condition your ceramic glass cooktop. Refer to the "Range Care" section for additional information.

IMPORTANT: To avoid permanent damage to the cooktop surface and to make soils easier to remove, clean the cooktop after each use to remove all soils.

- Cooktops with an Even-Heat™ Ultra element provide the best speed to boil and simmering performance for large pans. For pans 10" (25.4 cm) and larger use the Even-Heat™ Ultra element at the "Ultra Hi" setting for fastest boiling performance. For best low heat performance on pans 10" (25.4 cm) and larger use the Even-Heat™ Ultra element at the "Even Heat Simmer" setting.
- For cooktops with two dual elements in the front positions, the fastest boiling performance for pots 10" (25.4 cm) and larger will be on the larger dual element with both elements on "Dual Hi." For best low heat performance on pans 10" (25.4 cm) and larger, use the smaller dual element set at "Single Lo."
- For best melting performance with small pans, use the Even-Heat™ element.
- Use flat-bottomed cookware for best heat conduction and energy efficiency. Cookware with rounded, warped, ribbed or dented bottoms could cause uneven heating and poor cooking results.
- Determine flatness by placing the straight edge of a ruler across the bottom of the cookware. While you rotate the ruler, no space or light should be visible between it and the cookware.
- Cookware designed with slightly indented bottoms or small expansion channels can be used.
- Make sure the bottoms of pots and pans are clean and dry before using them. Residue and water can leave deposits when heated.
- Avoid storing jars or cans above the cooktop. Dropping a heavy or hard object onto the cooktop could crack the cooktop.
- To avoid damage to the cooktop, do not leave a hot lid on the cooktop. As the cooktop cools, air can become trapped between the lid and the cooktop, and the ceramic glass could break when the lid is removed.
- For foods containing sugar in any form, clean up all spills and soils as soon as possible. Allow the cooktop to cool down slightly. Then, while wearing oven mitts, remove the spills using a scraper while the surface is still warm. If sugary spills are allowed to cool down, they can adhere to the cooktop and can cause pitting and permanent marks.
- To avoid scratches, do not slide cookware or bakeware across the cooktop. Aluminum or copper bottoms and rough finishes on cookware or bakeware could leave scratches or marks on the cooktop.
- Do not cook popcorn in prepackaged aluminum containers on the cooktop. They could leave aluminum marks that cannot be removed completely.
- To avoid damage to the cooktop, do not allow objects that could melt, such as plastic or aluminum foil, to touch any part of the entire cooktop.
- To avoid damage to the cooktop, do not use the cooktop as a cutting board.
- To avoid damage to the cooktop, do not cook foods directly on the cooktop.

Cooktop On Indicator Light

The Cooktop On indicator light is located on the console panel. When any control knob on the console panel is turned on, the Cooktop On indicator light will glow.

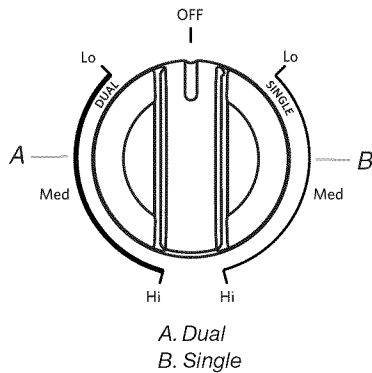
Hot Surface Indicator Light

On ceramic glass models, the Hot Surface indicator light is located on the console panel.

The Hot Surface indicator light will glow as long as any surface cooking area is too hot to touch, even after the surface cooking area is turned off.

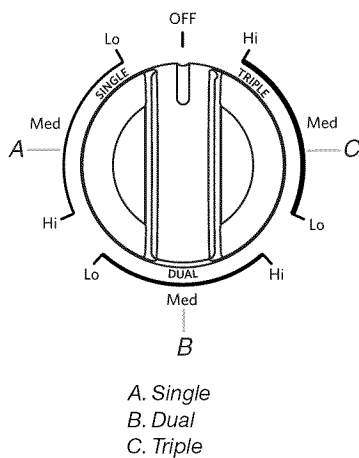
Dual-Size Cooking Element (on some models)

The Dual-Size Cooking Element offers flexibility depending on the size of the cookware. Single size can be used in the same way as a regular element. The dual size combines both the single and outer element and is recommended for larger size cookware.



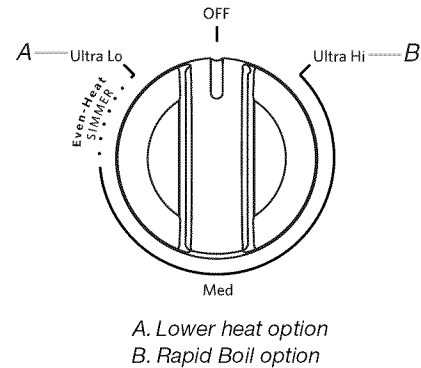
Triple Zone Element (on some models)

The Triple Zone Element offers flexibility depending on the size of the cookware. Single size can be used in the same way as a regular element. The dual and triple sizes combine single, dual and outer elements and are recommended for larger size cookware, large quantities of food, and home canning.



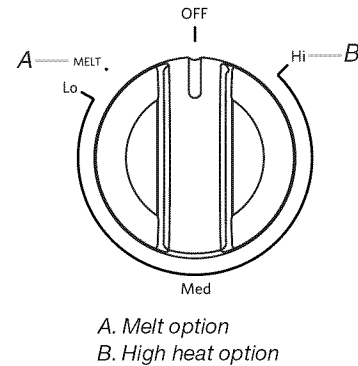
Even-Heat™ Ultra Element (on some models)

The Even-Heat™ Ultra Element offers additional cooking flexibility. The Even-Heat™ Ultra Element can be used to boil liquids faster. The lowest setting can be used to prepare sauces and to keep foods at a low temperature. Use cookware appropriate in size for the Even-Heat™ Ultra Element.



Even-Heat™ Element

The Even-Heat™ Cooking element offers flexibility due to a wide range of settings between High and Melt. The High heat option can be used to boil small amounts of liquid quickly. To reduce the power setting, turn the knob clockwise. The Melt setting is designed for delicate foods that require low heat, such as when melting chocolate or holding sauces. Use cookware appropriate in size for the Even-Heat™ element.



Warm Zone Element

⚠ WARNING

Food Poisoning Hazard

Do not let food sit for more than one hour before or after cooking.

Doing so can result in food poisoning or sickness.

Use the Cooktop Warm Zone element to keep cooked foods warm. One hour is the recommended maximum time to maintain food quality.

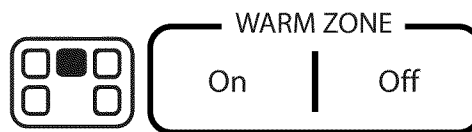
Do not use it to heat cold foods.

The Warm Zone element can be used alone or when any of the other surface cooking areas are being used.

The Warm Zone element area will not glow red when cycling on. However, the Element On light will glow while the Cooktop Warm Zone element is in use.

- Use only cookware recommended for oven and cooktop use.
- Cover all foods with a lid or aluminum foil. When warming baked goods, allow a small opening in the cover for moisture to escape.

- To avoid damage to the cooktop, do not use plastic wrap to cover food because the plastic wrap may melt.
- Use pot holders or oven mitts to remove food.



To Use:

1. To turn on, press WARM ZONE ON and then START.
2. To turn off, press WARM ZONE OFF.

Cookware

IMPORTANT: Do not leave empty cookware on a hot surface cooking area, element or surface burner.

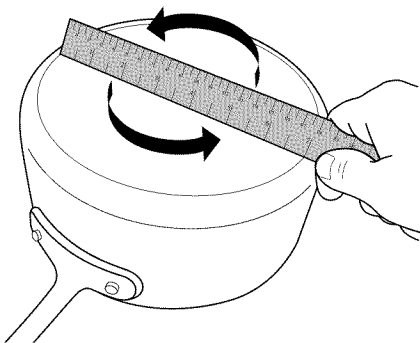
Ideal cookware should have a flat bottom, straight sides and a well-fitting lid, and the material should be of medium-to-heavy thickness.

Rough finishes may scratch the cooktop. Aluminum and copper may be used as a core or base in cookware. However, when used as a base they can leave permanent marks on the surfaces.

Cookware material is a factor in how quickly and evenly heat is transferred, which affects cooking results. A nonstick finish has the same characteristics as its base material. For example, aluminum cookware with a nonstick finish will take on the properties of aluminum.

Cookware with nonstick surfaces should not be used under the broiler.

Check for flatness by placing the straight edge of a ruler across the bottom of the cookware. While you rotate the ruler, no space or light should be visible between it and the cookware.

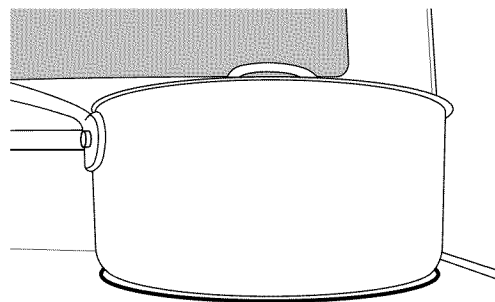


Use the following chart as a guide for cookware material characteristics.

COOKWARE	CHARACTERISTICS
Aluminum	<ul style="list-style-type: none"> ■ Heats quickly and evenly. ■ Suitable for all types of cooking. ■ Medium or heavy thickness is best for most cooking tasks. ■ May leave aluminum residues, which may be diminished if cleaned immediately after cooking.
Cast iron	<ul style="list-style-type: none"> ■ Heats slowly and evenly. ■ Good for browning and frying. ■ Maintains heat for slow cooking. ■ Rough edges or burrs may scratch the cooktop.

COOKWARE	CHARACTERISTICS
Ceramic or Ceramic glass	<ul style="list-style-type: none"> ■ Follow manufacturer's instructions. ■ Heats slowly, but unevenly. ■ Ideal results on low to medium heat settings. ■ May scratch the cooktop.
Copper	<ul style="list-style-type: none"> ■ Heats very quickly and evenly. ■ May leave copper residues, which may be diminished if cleaned immediately after cooking ■ Can leave a permanent stain or bond to the cooktop if overheated.
Earthenware	<ul style="list-style-type: none"> ■ Follow manufacturer's instructions. ■ Use on low heat settings. ■ May scratch the cooktop.
Porcelain enamel-on-steel or cast iron	<ul style="list-style-type: none"> ■ See stainless steel or cast iron. ■ Porcelain enamel bakeware without the metal base may bond to the cooktop if overheated.
Stainless steel	<ul style="list-style-type: none"> ■ Heats quickly, but unevenly. ■ A core or base of aluminum or copper on stainless steel provides even heating.

Use flat-bottomed cookware for best cooking results and energy efficiency. The cookware should be about the same size as the cooking area outlined on the cooktop. Cookware should not extend more than 1/2" (1.3 cm) outside the area.



Home Canning

Canning can be performed on a glass smooth top cooking surface. When canning for long periods, alternate the use of surface cooking areas or elements between batches. This allows time for the most recently used areas to cool.

- Center the canner on the largest surface cooking area or element. On electric cooktops, canners should not extend more than 1/2" (1.3 cm) beyond the surface cooking area or element.

- Do not place canner on 2 surface cooking areas or elements at the same time.
- On ceramic glass models, use only flat-bottomed canners to avoid damage to the cooktop and elements.
- For more information, contact your local agricultural extension office, or refer to published home canning guides. Companies that manufacture home canning products can also offer assistance.

OVEN USE

Odors and smoke are normal when the oven is used the first few times, or when it is heavily soiled.

IMPORTANT: The health of some birds is extremely sensitive to the fumes given off. Exposure to the fumes may result in death to certain birds. Always move birds to another closed and well-ventilated room.

Electronic Oven Controls

Control Display

The display will flash when powered up or after a power loss. Press OFF to clear. When oven is not in use, the time of day is displayed.

Tones

Tones are audible signals, indicating the following:

One tone

- Valid pad press
- Oven is preheated (long tone)
- Function has been entered
- Reminder (on some models), repeating each minute after the end-of-cycle tones

Three tones

- Invalid pad press

Four tones

- End of cycle

Use the Options key to change the tone settings.

Options

Many features of the oven control can be adjusted to meet your personal needs. These changes are made using the Options key.

Use the Options key to scroll through the features that can be changed. Each press of the Options key will advance the display to the next setting. After selecting the feature to be changed, the control will prompt you for the required input. After the setting is saved by pressing Start, the control will exit Options and display the time of day. Details of all of the feature changes are explained in the following sections.

Press OFF to exit Options.

Clock Time of Day

This clock can use a 12- or 24-hour cycle. To adjust, see "12/24 Hour Clock" in this section.

Check that the oven and Timer are off.

To Change Time of Day:

1. Press OPTIONS once. After 3 seconds, "SET CLOCK-PUSH START TO CHANGE" will be displayed.
2. Press START to display the current setting.
3. Press "3" for AM or "6" for PM.
4. Press the number keypads to set the time of day.
5. Press START.
6. Press OFF to exit.

Fahrenheit and Celsius

The temperature is preset at Fahrenheit, but can be changed to Celsius.

To change:

1. Press OPTIONS until "TEMP UNIT" is displayed.
2. Press START to display the current setting.
3. Press the "3" keypad to adjust the setting.
4. Press START to save the setting.
5. Press OFF to exit.

Audible Tones Disable

Turns off all tones, including the end of cycle tone and key press tones. Reminder tones are still active when all tones are disabled.

1. Press OPTIONS until "ALL SOUNDS" is displayed.
2. Press START to display the current setting.
3. Press the "3" keypad to adjust the setting.
4. Press START to save the setting.
5. Press OFF to exit.

Tone Pitch (Volume)

Sets the pitch of the tone to either high or low.

1. Press OPTIONS until "TONE PITCH" is displayed.
2. Press START to display the current setting.
3. Press the "3" keypad to adjust the setting.
4. Press START to save the setting.
5. Press OFF to exit.

End of Cycle Tone

Activates or turns off the tones that sound at the end of a cycle.

1. Press OPTIONS until "CYCLE TONE END" is displayed.
2. Press START to display the current setting.
3. Press the "3" keypad to adjust the setting.
4. Press START to save the setting.
5. Press OFF to exit.

Key Press Tones

Activates or turns off the tones when a keypad is pressed.

1. Press OPTIONS until "KEY PRESS TONE" is displayed.
2. Press START to display the current setting.
3. Press the "3" keypad to adjust the setting.
4. Press START to save the setting.
5. Press OFF to exit.

Reminder Tones Disable

Turns off the short repeating tone that sounds every 1 minute after the end of cycle tones.

1. Press OPTIONS until "REMINDER TONE" is displayed.
2. Press START to display the current setting.
3. Press the "3" keypad to adjust the setting.
4. Press START to save the setting.
5. Press OFF to exit.

12/24 Hour Clock

1. Press OPTIONS until "12/24 HR" is displayed.
2. Press START to display the current setting.
3. Press the "3" keypad to adjust the setting.
4. Press START to save the setting.
5. Press OFF to exit.

Demo Mode

IMPORTANT: This feature is intended for use on the sales floor with 120 V power connection and permits the control features to be demonstrated without heating elements or burners turning on. If this feature is activated, the oven will not work.

1. Press OPTIONS until "DEMO MODE" is displayed.
2. Press START to display the current setting.
3. Press the "3" keypad to adjust the setting.
4. Press START to save the setting.
5. Press OFF to exit.

12-Hour Shutoff

The oven control is set to automatically shut off the oven 12 hours after the oven initiates a cook or clean function. This will not interfere with any timed or delay cook functions.

1. Press OPTIONS until "12-HR SHUT-OFF" is displayed.
2. Press START to display the current setting.
3. Press the "3" keypad to adjust the setting.
4. Press START to save the setting.
5. Press OFF to exit.

Sabbath Mode

The Sabbath Mode sets the oven to remain on in a bake setting until turned off.

When the Sabbath Mode is set, only the Bake cycle will operate. All other cooking and cleaning cycles are disabled. No tones will sound, and the displays will not indicate temperature changes.

When the oven door is opened or closed, the oven light will not turn on or off and the heating elements will not turn on or off immediately.

To Enable Sabbath Mode Capability (one time only):

1. Open oven door.
2. Press 7-8-9-6.
"SABBATH ON" or "SABBATH OFF" will appear in the display. If "SABBATH ON" is displayed, Sabbath Mode is enabled. Continue with Step 4. If "SABBATH OFF" is displayed, continue with Step 3.
3. Press START to change the displayed status.
4. Close oven door and press OFF. Sabbath Mode can be activated for baking.

NOTE: To disable the Sabbath Mode, repeat steps 1 - 4 to change the status from "SABBATH ON" to "SABBATH OFF."

Aluminum Foil

IMPORTANT: To avoid permanent damage to the oven bottom finish, do not line the oven bottom with any type of foil or liner.

Languages - Scrolling Display Text

Language options are English, Spanish and French.

1. Press OPTIONS until "LANGUAGE" is displayed.
2. Press START to display the current setting.
3. Press the "3" keypad to adjust the setting.
4. Press START to save the setting.
5. Press OFF to exit.

Oven Temperature Offset Control

IMPORTANT: Do not use a thermometer to measure oven temperature because opening the oven door may cause element or burner cycling to give incorrect readings.

The oven provides accurate temperatures; however, it may cook faster or slower than your previous oven, so the temperature can be adjusted to personalize it for your cooking needs. It can be changed in Fahrenheit or Celsius.

To Adjust Oven Temperature:

1. Press OPTIONS until "TEMP OFFSET" is displayed.
2. Press START to display the current setting.
3. Press the "3" keypad to increase the temperature in 5°F (3°C) increments, or press the "6" keypad to decrease the temperature in 5°F (3°C) increments. The range is from -30°F to +30°F (-18°C to +18°C).
4. Press START to save the setting.
5. Press OFF to exit.

To Activate Sabbath Mode:

1. Press BAKE.
2. Press the number keypad to set a temperature other than 350°F (177°C).
3. Press START.
For timed cooking in Sabbath Mode, press COOK TIME, then the number keypad to set the desired cook time.
4. Press OPTIONS, then press "7." "SAb" will appear in the display.

To Adjust Temperature (when Sabbath Mode is running):

1. Press the number keypad as instructed by the scrolling text to select the new temperature.
NOTE: The temperature adjustment will not appear on the display. The scrolling text will be shown on the display as it was before the keypad was pressed.
2. Press START.

To Deactivate Sabbath Mode:

Press OPTIONS, then press "7" to return to regular baking or press OFF to turn off the range.

Positioning Racks and Bakeware

IMPORTANT: To avoid permanent damage to the porcelain finish, do not place food or bakeware directly on the oven door or bottom.

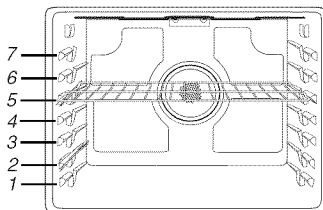
Bakeware

To cook food evenly, hot air must be able to circulate. Allow 2" (5 cm) of space around bakeware and oven walls. Make sure that no bakeware piece is directly over another.

Racks

- Position racks before turning on the oven.
- Do not move racks with bakeware on them.
- Make sure racks are level.

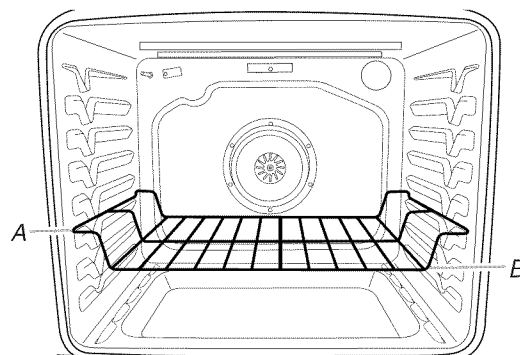
To move a rack, pull it out to the stop position, raise the front edge, and then lift out. Use the following illustration and charts as a guide.



The oven has 7 positions for a flat rack, as shown in the previous illustration and the following table.

Flat Rack Position*	Type of Food
7	Broiling/searing meats, hamburgers, steaks
6	Broiled meats, poultry, fish
3 or 4	Most baked goods, casseroles
2	Roasted meats
1	Large roasts or poultry

*If your model has a Max Capacity Rack, the recessed ends must be placed in the rack position above the desired position of the food. See the following illustration.



A. Ends of rack in position 3
B. Food in position 2

IMPORTANT: These rack positions are for flat racks. If a Max Capacity Rack is used, the rack position must be adjusted as shown in the previous figure.

Multiple Rack Cooking

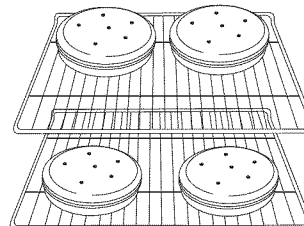
2-rack: Use rack positions 2 and 5 for regular baking.

2-rack (convection only): Use rack positions 2 and 5.

3-rack (true convection only): Use rack positions 2, 4 and 6.

Best Performance on 2 Racks

For best results when baking cakes on 2 racks, use racks 2 and 5 with the Bake function. Place the cakes on the racks as shown. For best results baking 2 racks of cookies, use racks 2 and 5 with Convection Bake.

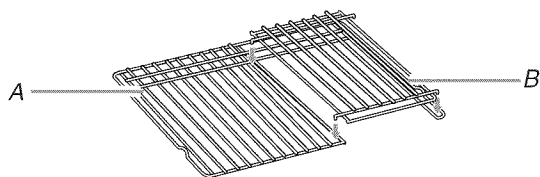


Split Oven Rack (on some models)

Split-Rack with Removable Insert

The split-rack with removable insert is a space maximizer. When the two are attached, they make a full rack. The insert can also be removed to provide room for large items such as a turkey and casseroles. Do not place more than 25 lbs (11.3 kg) on the split-rack.

The insert can also be used on the counter as a cooling rack.

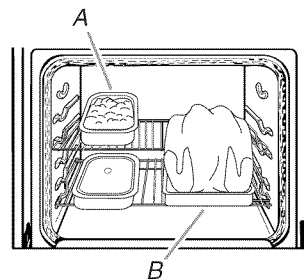


A. Split-rack
B. Removable insert

If you would like to purchase a split-oven rack, one may be ordered. See "Accessories" section to order.

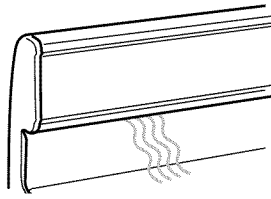
To Use Racks:

1. Place a full rack in the lower section of the oven and position the split-rack above it.
2. Place large items on the right side of the full rack.
3. Place deeper, covered dishes on the left side of the full rack.
4. Place shallow dishes on the split-rack.
5. When finished cooking, slowly remove items.



A. Place shallow dishes on the split-rack.
B. Large item placed on the right side of full-rack

Oven Vent



The oven vent releases hot air and moisture from the oven, and should not be blocked or covered. Blocking or covering the oven vent will cause poor air circulation, affecting cooking and cleaning results. Do not set plastics, paper or other items that could melt or burn near the oven vent.

Baking and Roasting

Temperature Management System

The oven control regulates the oven heat levels during preheat and bake to maintain a precise temperature range for optimal cooking results. The bake and broil elements or burners cycle on and off in intervals. On convection range models, the fan and convection element may run while preheating and may be cycled on and off for short intervals during Bake to provide the best results. This feature is automatically activated when the oven is in use.

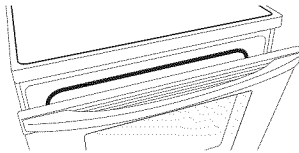
Before baking and roasting, position racks according to “Positioning Racks and Bakeware” section. When roasting, it is not necessary to wait for the oven preheat cycle to end before putting food in unless it is recommended in the recipe.

Preheating

When Start is pressed, the oven will begin preheating. Once 100°F (38°C) is reached, the display temperature will increase as the actual temperature of the oven increases. When the preheat temperature is reached, a tone will sound, and the selected temperature will appear on the display. The time necessary to preheat the oven to 350°F (177°C) is approximately 15 minutes, depending on the model. Factors that have an impact on preheat times are: room temperature, starting oven temperature, and the number of oven racks. Unused oven racks can be removed prior to preheating your oven to reduce preheat time.

Broiling

Leave the door open 6" (15 cm) at the broil stop position to ensure proper broiling temperature. Preheat the oven for 5 minutes before putting food in unless recommended otherwise in the recipe. Position food on grid in a broiler pan, then place it in the center of the oven rack.



NOTE: Odors and smoke are normal the first few times the oven is used or if the oven is heavily soiled.

Changing the temperature when broiling allows more precise control when cooking. The lower the broil setting, the slower the cooking. Thicker cuts and unevenly shaped pieces of meat, fish and poultry may cook better at lower broil settings. Use racks 6 or 7 for broiling. Refer to the “Positioning Racks and Bakeware” section for more information.

On lower settings, the broil element will cycle on and off to maintain the proper temperature.

- For best results, use a broiler pan and grid. It is designed to drain juices and help avoid spatter and smoke.

If you would like to purchase a broiler pan, one may be ordered. Please refer to the “Accessories” section for more information.

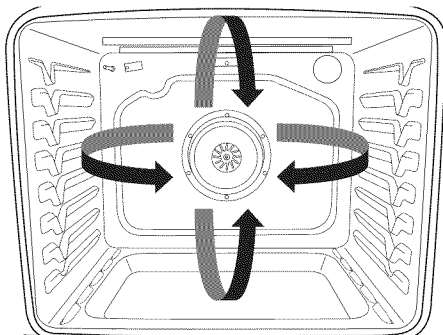
Convection Cooking

In a convection oven, the fan-circulated hot air continually distributes heat more evenly than the natural movement of air in a standard thermal oven. This movement of hot air helps maintain a consistent temperature throughout the oven, cooking foods more evenly, crisping surfaces while sealing in moisture and yielding crustier breads.

During convection cooking, the bake, broil and convection (true convection only) elements and the convection fan cycle on and off in intervals to maintain the oven temperature, while the fan circulates the hot air.

If the oven door is opened during convection cooking, the fan will turn off immediately. It will come back on when the oven door is closed.

NOTE: The oven door must be closed for convection broiling.

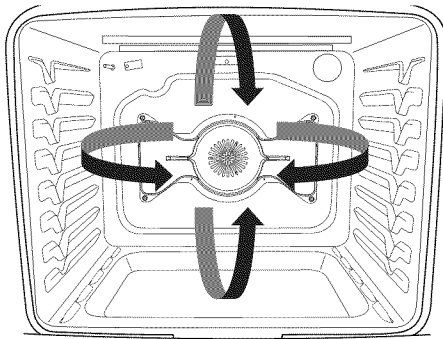


Position the racks according to the “Positioning Racks and Bakeware” section before starting convection cooking.

With convection cooking, most foods can be cooked at a lower temperature or at a shorter time. These adjustments can be made using the following chart or by using the EasyConvect™ Conversion feature on your range.

SETTING	GUIDELINES
CONVECT BAKE	Reduce the standard baking temperature 25°F (15°C)
CONVECT ROAST	Use standard recipe temperature. Cooking time may be reduced by 15-30% with Convection Roast so the food should be checked for doneness early.
CONVECT BROIL	Use standard recipe temperature. Cooking time may be reduced so the food should be checked for doneness early.

**Bow Tie True Convection with T.H.E.™ Element
(on some models)**



True convection adds an electric element around the convection fan to enhance the cooking performance. This feature enables three-rack baking in your range. Use the following Convection Options chart as a guide.

Convection Options

SETTING	FOODS
CONVECT BAKE	Single or multiple-rack baking for cookies, biscuits, breads, casseroles, tarts, tortes.
CONVECT BROIL	Thicker cuts or unevenly shaped pieces of meat, fish or poultry.
CONVECT ROAST	Whole chicken or turkey, vegetables, pork roasts, beef roasts.

EasyConvect™ Conversion

Convection cooking temperatures and times can differ from those of standard cooking. Depending upon the selected category, EasyConvect™ conversion automatically reduces the standard recipe temperature and/or time you input for convection cooking.

Foods are grouped into 4 general categories. Choose the category most appropriate for the food to be cooked. Use the following chart as a guide.

SETTING	FOODS
MEATS	Chicken: whole and pieces Meat loaf, Roasts: pork, beef and ham (Turkey and large poultry are not included because their cook time varies.)
BAKED GOODS	Biscuits, Breads: quick and yeast Cakes and Cookies Casseroles
PIZZA	Fresh pizza, Frozen pizza
OTHER	Frozen convenience foods: french fries, nuggets, fish sticks, lasagna

To Use:

NOTE: For best results, preheat your oven to the desired temperature prior to using Easy Convect™ Conversion. After preheating is complete, press the OFF key before using EasyConvect™ Conversion.

1. Press the EASY CONVECT pad for the desired option (MEATS, BAKED GOODS, PIZZA or OTHER).
2. Press number pads to enter standard cook temperature then press START.
3. Press number pads to enter standard cook time then press START.
4. Place the food in the oven.
Check food for doneness before the stop time is reached. If food will not be done when the stop time is reached, add more cooking time before time elapses (see “Cook Time” section). At the end of the stop time, the oven will automatically turn off.
5. Press OFF when finished.
6. Remove food from the oven.

Proofing Bread

Proofing bread prepares the dough for baking by activating the yeast. Follow the recipe directions as a guide. Standard Proof should be used for fresh dough, thawed dough, and for the first and second rise. Rapid Proof (on some models) operates at a slightly higher temperature than Standard Proof, and it can be used for the second rise of formed dough.

To Proof:

Before first proofing, place the dough in a lightly greased bowl and cover loosely with wax paper, coated with shortening. Place on rack guide 2 and close the oven door.

NOTE: If the temperature of the oven is greater than 100°F (38°C), “oven cooling” will be displayed until the temperature is less than 100°F (38°C).

1. Press BREAD PROOF until the desired proof is displayed (“Standard” or “Rapid”).
2. Press START.
Let the dough rise until nearly doubled in size. Proofing time may vary depending on dough type and quantity.
3. Press OFF when finished proofing.

Before second proofing, shape the dough, place it in baking pan(s) and cover loosely. Follow the same placement and control steps above. Before baking, remove the cover.

NOTE: If the oven temperature is greater than 100°F (38°C), the display will indicate “oven cooling” until the temperature is below 100°F (38°C).

Cook Time

⚠ WARNING

Food Poisoning Hazard

Do not let food sit in oven more than one hour before or after cooking.

Doing so can result in food poisoning or sickness.

To Set a Timed Cook:

1. Press BAKE, CONVECT BAKE, or CONVECT ROAST.
2. Press the number keypads to enter a temperature other than the one displayed.
3. Press COOK TIME. The cook time oven indicator light will light up.
4. Press the number keypads to enter the length of time to cook.
5. Press START. The display will count down the time. When the time ends, the oven will shut off automatically.
The temperature and/or time setting can be changed at any time by repeating steps 2 - 3.
6. Press OFF to clear the display.

NOTE: The time setting for any timed cooking function, including EasyConvect™ Conversion, can be adjusted by following the previous steps 3 - 5.

To Set a Delayed Timed Cook:

1. Press BAKE, CONVECT BAKE, or CONVECT ROAST.
2. Press the number keypads to enter a temperature other than the one displayed.
3. Press COOK TIME. The cook time oven indicator light will light up.
4. Press number keypads to enter the length of time to cook.
5. Press DELAY START. The start time/delay oven indicator light will light up.
6. Press number keypads to enter the number of hours and/or minutes you want to delay the start time.
7. Press START.

When the start time is reached, the oven will automatically turn on. The temperature and/or time settings can be changed any time after pressing Start by repeating steps 2 - 7. When resetting the time and temperature, it is necessary to press Start between steps 4 and 5 to continue making changes.

When the set cook time ends, the oven will shut off automatically.

8. Press OFF to clear the display.

RANGE CARE

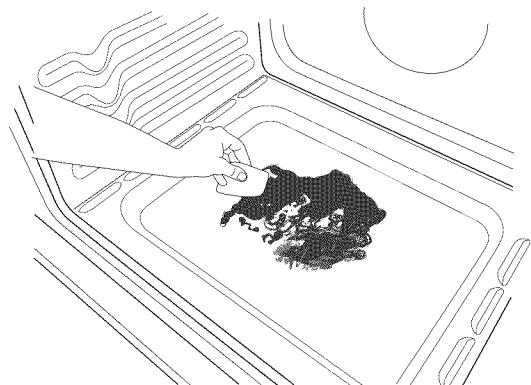
AquaLift™ technology

AquaLift™ Technology is an innovative cleaning solution that utilizes heat and water to release baked-on spills from the oven in less than 1 hour. This new cleaning technology is a low-heat, odor-free alternative to traditional self-cleaning options.

Allow the oven to cool to room temperature before using the Clean cycle. If your oven cavity is above 200°F (93°C), "OVEN COOLING" will appear in the display, and the Clean cycle will not be activated until the oven cavity cools down.

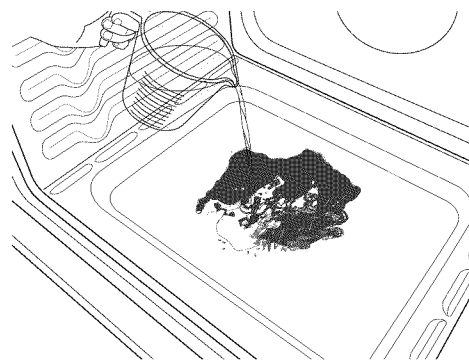
To Clean:

1. Remove all racks and accessories from the oven cavity and wipe excess soil. Use a plastic scraper to remove easily-removed soils.



Clean Cycle

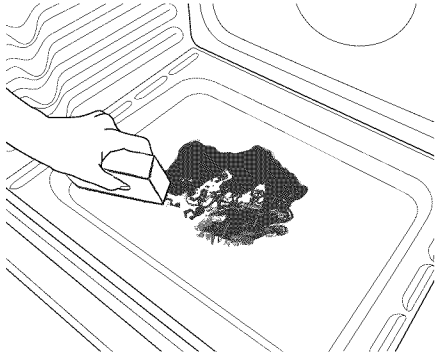
2. Pour 2 cups (16 oz [500 mL]) of distilled or filtered water onto the bottom of the empty oven and close the oven door.



IMPORTANT: Do not use chemicals or other additives with the water. Do not open the oven door during the Clean cycle. The water on the oven bottom is hot.

3. Press CLEAN and then START on the oven control panel.
4. Allow 40 minutes for cleaning and cool down. A beep will sound when the Clean cycle is complete.
5. Press OFF at the end of the cycle. OFF may be pressed at any time to stop the Clean cycle.

6. Remove the residual water and loosened soils with a sponge or cloth immediately after the Clean cycle is complete. Much of the initial 2 cups (16 oz [500 mL]) of water will remain in the oven after the cycle is completed. If additional soils remain, leave a small amount of water in the oven bottom to assist with the cleaning.



7. If any soils remain, remove them with a non-scratch scrubbing sponge or plastic scraper. Additional Clean cycles may be run to help remove the stubborn soils.

IMPORTANT: Do not use oven cleaners. The use of chemicals, including commercial oven cleaners or metal scouring pads, may cause permanent damage to the porcelain surface of the oven interior.

NOTES:

- The range should be level to ensure that the entire surface of the bottom of the oven cavity is covered by water at the beginning of the Clean cycle.
- For best results, use distilled or filtered water. Tap water may leave mineral deposits on the oven bottom.
- Before removing the residual water and loosened soils at the end of the Clean cycle, insert a cloth or paper towel between the lower edge of the oven door and the front frame to keep water from spilling onto the front of the range and the floor.
- Soil baked on through several cooking cycles will be more difficult to remove with the Clean cycle.
- Nonabrasive scrub sponges or eraser style cleaning pads (without cleaners) can be effective for cleaning the oven cavity walls, oven door and oven bottom for difficult soils. For best results, moisten the pads and sponges before use.
- Run an additional Clean cycle for stubborn soils.
- affresh® Kitchen and Appliance Cleaner and affresh® Cooktop Cleaner may be used to clean the oven bottom, walls and door when the oven has finished the cycle and returned to room temperature. If affresh® Cooktop Cleaner is used, wiping out the oven with distilled water is recommended as well. Refer to the “Accessories” section for information on ordering.
- Additional AquaLift™ Technology Cleaning Kits may be obtained by ordering Part Number W10423113RP. See the “Accessories” section for more information.
- For assistance with AquaLift™ Technology, call 1-877-258-0808, or visit our website at <http://whr.pl/aqualift>.

General Cleaning

IMPORTANT: Before cleaning, make sure all controls are off and the oven and cooktop are cool. Always follow label instructions on cleaning products. For additional information, you can visit the Customer Care section of our website at www.kitchenaid.ca.

Soap, water and a soft cloth or sponge are suggested first unless otherwise noted.

EXTERIOR PORCELAIN ENAMEL SURFACES (on some models)

Food spills containing acids, such as vinegar and tomato, should be cleaned as soon as the entire range is cool. These spills may affect the finish.

Cleaning Method:

- Glass cleaner, mild liquid cleaner or nonabrasive scrubbing pad:
Gently clean around the model and serial number plate because scrubbing may remove numbers.
- affresh® Kitchen and Appliance Cleaner Part Number W10355010 (not included):
See the “Accessories” section for more information.

STAINLESS STEEL (on some models)

NOTE: To avoid damage to stainless steel surfaces, do not use soap-filled scouring pads, abrasive cleaners, Cooktop Cleaner, steel-wool pads, gritty washcloths or abrasive paper towels. Damage may occur to stainless steel surfaces, even with one-time or limited use.

Cleaning Method:

Rub in direction of grain to avoid damaging.

- affresh® Stainless Steel Cleaner Part Number W10355016 (not included):
See the “Accessories” section for more information.

Liquid detergent or all-purpose cleaner:

Rinse with clean water and dry with soft, lint-free cloth.

METALLIC PAINT (on some models)

Do not use abrasive cleaners, cleaners with bleach, rust removers, ammonia or sodium hydroxide (lye) because paint surface may stain.

CERAMIC GLASS (on some models)

Cleaning Method:

Use affresh® Cooktop Cleaner Part Number W10355051 with Cooktop Scraper Part Number WA906B to clean and remove stains from the cooktop. Use Cooktop Protectant Part Number 31463B regularly to avoid stain buildup, pitting and scratching, while conditioning the cooktop for easier future cleaning. These can be ordered as accessories. See the “Accessories” section for more information. The Cooktop Scraper uses razor blades. Store razor blades out of the reach of children.

Do not use steel wool, abrasive powder cleansers, chlorine bleach, rust remover or ammonia because damage may occur.

Light to moderate soil

- Can be cleaned with damp paper towels or sponge. Light stains should be addressed with cleaner and cleaning pad.

Sugary spills (jellies, candy, syrup)

- Clean with cooktop scraper and cooktop cleaner. Scrape off sugary spills while the cooktop is still warm. You may want to wear oven mitts while cleaning the cooktop.

Heavy soil, dark streaks, specks and discoloration

- Clean with Cooktop Cleaner or nonabrasive cleaner and cleaning pad.

Burned-on soil

- Clean with Cooktop Cleaner, Cleaning Pad and Cooktop Scraper.

Metal marks from aluminum and copper

- Clean with Cooktop Cleaner and Cleaning Pad as soon as cooktop has cooled down. The marks will not totally disappear, but after many cleanings they will become less noticeable.

Tiny scratches and abrasions

- Use Cooktop Cleaner and Cleaning Pad for scratches. Scratches and abrasions do not affect cooking performance, and after many cleanings they will become less noticeable.

COOKTOP CONTROLS

To avoid damage to the cooktop controls, do not use steel wool, abrasive cleansers or oven cleaner.

To avoid damage, do not soak knobs.

When replacing knobs, make sure knobs are in the OFF position.

On some models, do not remove seals under knobs.

Cleaning Method:

- Soap and water:
Pull knobs straight away from control panel to remove.

CONTROL PANEL AND OVEN DOOR EXTERIOR

To avoid damage to the control panel, do not use abrasive cleaners, steel-wool pads, gritty washcloths or abrasive paper towels.

Cleaning Method:

- Glass cleaner and soft cloth or sponge:
Apply glass cleaner to soft cloth or sponge, not directly on panel.
- affresh® Kitchen and Appliance Cleaner Part Number W10355010 (not included):
See the “Accessories” section for more information.

OVEN RACKS

Cleaning Method:

- Steel-wool pad
- For racks that have discolored and are harder to slide, a light coating of vegetable oil applied to the rack guides will help them slide.

STORAGE DRAWER OR WARMING DRAWER (on some models)

Check that storage drawer or warming drawer is cool and empty before cleaning.

Cleaning Method:

- Mild detergent

OVEN CAVITY

Use AquaLift™ Technology regularly to clean oven spills.

Do not use oven cleaners.

Food spills should be cleaned when oven cools. At high temperatures, foods react with porcelain and staining, etching, pitting or faint white spots can result.

Cleaning Method:

- Clean cycle: See “Clean Cycle” first.

Oven Light

The oven light is a standard 40-watt appliance bulb. Before replacing, make sure the oven and cooktop are cool and the control knobs are in the off position.

To Replace:

1. Unplug range or disconnect power.

2. Turn the glass bulb cover in the back of the oven counterclockwise to remove.
3. Turn bulb counterclockwise to remove from socket.
4. Replace bulb, then bulb cover by turning clockwise.
5. Plug in range or reconnect power.

Appliance Outlets (on some models)

The 120-volt appliance outlet located on the control console may be used to run portable appliances placed on countertops beside the range.

The outlet operates independently and is not affected by range control settings.

NOTE: Do not place portable appliances on the cooktop. Damage to the portable appliance could result if the cooktop is hot.

Appliance Outlet Circuit Breaker:

The circuit breaker for the appliance outlet on your range is located next to the outlet. It is rated for 12 amps.

If the circuit breaker trips, it can be reset by pressing the switch. A delay of several minutes may be required for the circuit breaker to cool before it will reset.

TROUBLESHOOTING

First try the solutions suggested here or visit our website and reference the Customer Service section to possibly avoid the cost of a service call.

www.kitchenaid.ca

Operation

PROBLEM	POSSIBLE CAUSES	SOLUTIONS
Nothing will operate	Power supply cord is unplugged.	Plug into a grounded outlet.
	Household fuse is blown or a circuit breaker is tripped.	Replace the fuse or reset the circuit breaker. If the problem continues, call an electrician.
	Range is in Sabbath Mode.	See "Sabbath Mode" section.
Cooktop will not operate	The control knob is set incorrectly.	Push in knob before turning to a setting.
	The range is in Demo Mode.	Demo Mode will deactivate the Warm Zone element. See "Demo Mode" in the "Electronic Oven Controls" section.
Excessive heat around cookware on cooktop	Cookware that is not the proper size	Use cookware about the same size as the surface cooking area, element or surface burner. Cookware should not extend more than ½" (1.3 cm) outside the cooking area.
Cooktop cooking results not what expected	Control knob set to incorrect heat level	See "Cooktop Use" section.
	Range is not level.	Level the range. See the Installation Instructions.
Oven will not operate	The electronic oven control was set incorrectly.	See "Electronic Oven Controls" section.
	Delay Start was set.	See "Cook Time" section.
	The oven control lockout is set.	See the control lock keypad feature in the "Feature Guide" section.
	The range is in Demo Mode.	Demo Mode will deactivate all heating elements. See "Demo Mode" in the "Electronic Oven Controls" section.
"FEATURE NOT AVAILABLE" is displayed when trying to use the Control Lock function.	A cooktop or oven function is active, including the timer or timed cooking features, or the oven is hot or a cooktop hot surface indicator is lit.	Ensure that all cooktop and oven functions are off, and that the cooktop and oven are cool. If this does not work, call for service. See cover for contact information.
Convection fan not working	Oven door is open.	Close oven door. See "Convection Cooking" section.
Oven temperature too high or too low	Oven temperature calibration needs adjustment	See "Oven Temperature Offset Control" in the "Electronic Oven Controls" section.
	Temperature has been changed to Fahrenheit or Celsius.	See "Fahrenheit and Celsius" in the "Electronic Oven Controls" section.
Oven indicator lights flash	Needs service (oven indicator lights are flashing)	See "Control Display" in the "Electronic Oven Controls" section. If the indicator light(s) keeps flashing, call for service. See cover for contact information.
Display shows messages	Power failure (display shows flashing time)	Clear the display. On some models, reset the clock, if needed. See "Clock" keypad feature in the "Feature Guide" section.
	Error code (display shows letter followed by number)	Press the OFF keypad to clear the display. See "Control Display" in the "Electronic Oven Controls" section. If it reappears, call for service. See cover for contact information.
Mineral deposits are left on the oven bottom after the Clean cycle	Tap water was used in the Clean cycle.	Use distilled or filtered water in the Clean cycle. To remove deposits, use a cloth soaked with vinegar. Then use a cloth dampened with water to thoroughly remove any vinegar residue.
	Range is not level.	Mineral deposits will collect on dry areas of the oven bottom during the Clean cycle. Level the range. See the Installation Instructions. To remove deposits, use a cloth soaked with vinegar. Then use a cloth dampened with water to thoroughly remove any vinegar residue.

PROBLEM	POSSIBLE CAUSES	SOLUTIONS
Oven cooking results not what expected	Range is not level.	Level the range. See the Installation Instructions.
	The temperature set was incorrect.	Double-check the recipe in a reliable cookbook.
	Oven temperature is calibrated incorrectly.	See "Oven Temperature Control" in the "Electronic Oven Controls" section.
	Oven was not preheated.	See "Baking and Roasting" section.
	Racks were positioned improperly.	See "Positioning Racks and Bakeware" section.
	Not enough air circulation around bakeware	See "Positioning Racks and Bakeware" section.
	Batter distributed unevenly in pan	Check that batter is level in the pan.
	Darker browning of food caused by dull or dark bakeware	Lower oven temperature 25°F (15°C) or move rack to a higher position in the oven.
	Lighter browning of food caused by shiny or light colored bakeware	Move rack to a lower position in the oven.
	Incorrect length of cooking time was used.	Adjust cooking time.
	Oven door was not closed.	Be sure that the bakeware does not keep the door from closing.
	Oven door was opened during cooking.	Oven peeking releases oven heat and can result in longer cooking times.
	Rack is too close to bake burner, making baked items too brown on bottom.	Move rack to higher position in the oven.
Pie crusts browning too quickly	Use aluminum foil to cover the edge of the crust and/or reduce baking temperature.	
Temperature scale was changed from Fahrenheit to Celsius.	Foods are overdone or burnt even at low temperatures. See "Fahrenheit and Celsius" in the "Electronic Oven Controls" section.	

ACCESSORIES

For accessories, you can visit our website at www.kitchenaid.com/cookingaccessories or call us at **1-800-807-6777**

Cooktop Care Kit

(ceramic glass models)
(includes cleaner, protectant, scraper, and applicator pads)
Order Part Number 31605B

Cooktop Protectant

(ceramic glass models)
Order Part Number 31463B

affresh® Stainless Steel Cleaning Wipes

(stainless steel models)
Order Part Number W10355049

affresh® Cooktop Cleaner

(ceramic glass models)
Order Part Number W10355051

affresh® Stainless Steel Cleaner

(stainless steel models)
Order Part Number W10355016

affresh® Kitchen and Appliance Cleaner

Order Part Number W10355010

AquaLift™ Technology Oven Cleaning Kit

Order Part Number W10423113RP

Cooktop Scraper

(ceramic glass models)
Order Part Number WA906B

Granite Cleaner and Polish

Order Part Number W10275756

Gas Grate and Drip Pan Cleaner

Order Part Number 31617A

Gourmet Griddle

Order Part Number 4396096RB

Split Oven Rack

Order Part Number W10205524

Max Capacity Rack

Order Part Number W10289145

Porcelain Broiler Pan and Grid

Order Part Number 4396923

Premium Broil Pan and Roasting Rack

Order Part Number W10123240
www.kitchenaid.com/broilerpan

KITCHENAID® ELECTRIC RANGE WARRANTY

LIMITED WARRANTY

For one year from the date of purchase, when this major appliance is operated and maintained according to instructions attached to or furnished with the product, KitchenAid brand of Whirlpool Corporation or Whirlpool Canada LP (hereafter "KitchenAid") will pay for Factory Specified Parts and repair labor to correct defects in materials or workmanship. Service must be provided by a KitchenAid designated service company. This limited warranty is valid only in the United States or Canada and applies only when the major appliance is used in the country in which it was purchased. Outside the 50 United States and Canada, this limited warranty does not apply. Proof of original purchase date is required to obtain service under this limited warranty.

SECOND THROUGH FIFTH YEAR LIMITED WARRANTY ON CERTAIN COMPONENT PARTS

In the second through fifth years from the date of purchase, when this appliance is operated and maintained according to instructions attached to or furnished with the product, KitchenAid will pay for Factory Specified Parts for the following components if defective in materials or workmanship:

- Electric element
- Solid state touch control system parts
- Any cracking of the rubber seal between the ceramic glass cooktop and porcelain edge
- Any cracking due to thermal shock of the ceramic glass cooktop
- Surface unit elements

ITEMS EXCLUDED FROM WARRANTY

This limited warranty does not cover:

1. Service calls to correct the installation of your major appliance, to instruct you on how to use your major appliance, to replace or repair house fuses, or to correct house wiring or plumbing.
2. Service calls to repair or replace appliance light bulbs, air filters or water filters. Consumable parts are excluded from warranty coverage.
3. Repairs when your major appliance is used for other than normal, single-family household use or when it is used in a manner that is contrary to published user or operator instructions and/or installation instructions.
4. Damage resulting from accident, alteration, misuse, abuse, fire, flood, acts of God, improper installation, installation not in accordance with electrical or plumbing codes, or use of consumables or cleaning products not approved by KitchenAid.
5. Cosmetic damage, including scratches, dents, chips or other damage to the finish of your major appliance, unless such damage results from defects in materials or workmanship and is reported to KitchenAid within 30 days from the date of purchase.
6. Costs associated with the removal from your home of your major appliance for repairs. This major appliance is designed to be repaired in the home and only in-home service is covered by this warranty.
7. Repairs to parts or systems resulting from unauthorized modifications made to the appliance.
8. Expenses for travel and transportation for product service if your major appliance is located in a remote area where service by an authorized KitchenAid servicer is not available.
9. The removal and reinstallation of your major appliance if it is installed in an inaccessible location or is not installed in accordance with published installation instructions.
10. Major appliances with original model/serial numbers that have been removed, altered or cannot be easily determined. This warranty is void if the factory applied serial number has been altered or removed from your major appliance.

The cost of repair or replacement under these excluded circumstances shall be borne by the customer.

DISCLAIMER OF IMPLIED WARRANTIES; LIMITATION OF REMEDIES

CUSTOMER'S SOLE AND EXCLUSIVE REMEDY UNDER THIS LIMITED WARRANTY SHALL BE PRODUCT REPAIR AS PROVIDED HEREIN. IMPLIED WARRANTIES, INCLUDING WARRANTIES OF MERCHANTABILITY OR FITNESS FOR A PARTICULAR PURPOSE, ARE LIMITED TO ONE YEAR OR THE SHORTEST PERIOD ALLOWED BY LAW. KITCHENAID SHALL NOT BE LIABLE FOR INCIDENTAL OR CONSEQUENTIAL DAMAGES. SOME STATES AND PROVINCES DO NOT ALLOW THE EXCLUSION OR LIMITATION OF INCIDENTAL OR CONSEQUENTIAL DAMAGES, OR LIMITATIONS ON THE DURATION OF IMPLIED WARRANTIES OF MERCHANTABILITY OR FITNESS, SO THESE EXCLUSIONS OR LIMITATIONS MAY NOT APPLY TO YOU. THIS WARRANTY GIVES YOU SPECIFIC LEGAL RIGHTS, AND YOU MAY ALSO HAVE OTHER RIGHTS WHICH VARY FROM STATE TO STATE OR PROVINCE TO PROVINCE.

If outside the 50 United States and Canada, contact your authorized KitchenAid dealer to determine if another warranty applies. 9/07

For additional product information, visit www.kitchenaid.ca.

If you do not have access to the Internet and you need assistance using your product or you would like to schedule service, you may contact KitchenAid at the number below.

Have your complete model number ready. You can find your model number and serial number on the label, located on the oven frame behind the top right side of the oven door.

For assistance or service in Canada, call 1-800-807-6777.

If you need further assistance, you can write to KitchenAid with any questions or concerns at the address below:

Customer eXperience Centre
KitchenAid Canada
200 - 6750 Century Ave.
Mississauga, Ontario L5N 0B7

Please include a daytime phone number in your correspondence.

Please keep this User Instructions and model number information for future reference.

MERCI d'avoir acheté ce produit de grande qualité. Si vous rencontrez un problème non abordé à la section DÉPANNAGE, veuillez visiter notre site Web à www.kitchenaid.ca pour obtenir des informations supplémentaires. Si vous avez toujours besoin d'aide, composez le 1-800-807-6777.

Vous aurez besoin des numéros de modèle et de série situés sur le châssis du four, derrière la partie supérieure droite de la porte du four.

Table des matières

SÉCURITÉ DE LA CUISINIÈRE	22
La bride antibasculement.....	22
GUIDE DES CARACTÉRISTIQUES	25
UTILISATION DE LA TABLE DE CUISSON	27
Ustensiles de cuisson	29
Mise en conserve à la maison.....	30
UTILISATION DU FOUR	30
Commandes électroniques du four	30
Mode Sabbat.....	32
Papier d'aluminium.....	32
Positionnement des grilles et des ustensiles de cuisson au four.....	33
Grille de four en deux pièces (sur certains modèles).....	33
Évent du four	34
Cuisson au four et rôtissage	34
Cuisson au gril	34
Cuisson par convection	35
Conversion EasyConvect™	35
Levée du pain	36
Durée de cuisson.....	36
ENTRETIEN DE LA CUISINIÈRE	37
Programme de nettoyage	37
Nettoyage général	38
Lampe du four	39
Prises pour appareils électroménagers (sur certains modèles)	39
DÉPANNAGE	39
ACCESSOIRES	41
GARANTIE	42

SÉCURITÉ DE LA CUISINIÈRE

Votre sécurité et celle des autres est très importante.

Nous donnons de nombreux messages de sécurité importants dans ce manuel et sur votre appareil ménager. Assurez-vous de toujours lire tous les messages de sécurité et de vous y conformer.



Voici le symbole d'alerte de sécurité.

Ce symbole d'alerte de sécurité vous signale les dangers potentiels de décès et de blessures graves à vous et à d'autres.

Tous les messages de sécurité suivront le symbole d'alerte de sécurité et le mot "DANGER" ou "AVERTISSEMENT". Ces mots signifient :

⚠ DANGER

Risque possible de décès ou de blessure grave si vous ne suivez pas immédiatement les instructions.

⚠ AVERTISSEMENT

Risque possible de décès ou de blessure grave si vous ne suivez pas les instructions.

Tous les messages de sécurité vous diront quel est le danger potentiel et vous disent comment réduire le risque de blessure et ce qui peut se produire en cas de non-respect des instructions.

La bride antibasculement

Dans les conditions de service normales, la cuisinière ne bascule pas. Elle peut cependant basculer si une force ou un poids excessif est appliqué(e) sur la porte ouverte alors que la bride antibasculement n'est pas convenablement fixée.

⚠ AVERTISSEMENT

Risque de basculement

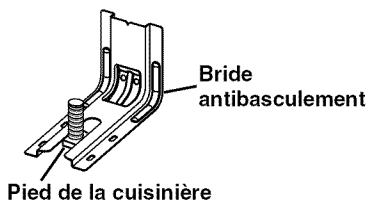
Un enfant ou une personne adulte peut faire basculer la cuisinière, ce qui peut causer un décès.

Vérifier que la bride antibasculement est bien installée et engagée, conformément aux instructions d'installation.

Réengager la bride antibasculement si la cuisinière a été déplacée.

Ne pas faire fonctionner la cuisinière si la bride antibasculement n'est pas installée et engagée.

Le non-respect de ces instructions peut causer un décès ou des brûlures graves aux enfants et aux adultes.



Pour vérifier que la bride antibasculement est bien installée et engagée :

- Faire glisser la cuisinière vers l'avant.
- Vérifier que la bride antibasculement est bien fixée au plancher ou au mur.
- Faire de nouveau glisser la cuisinière vers l'arrière de sorte que le pied de la cuisinière se trouve sous la bride antibasculement.
- Voir les instructions d'installation pour plus de détails.

IMPORTANTES INSTRUCTIONS DE SÉCURITÉ

AVERTISSEMENT : Pour réduire le risque d'incendie, de choc électrique, de blessures ou de dommages lors de l'utilisation de la cuisinière, il convient d'observer certaines précautions élémentaires dont les suivantes :

- **AVERTISSEMENT :** POUR MINIMISER LE RISQUE DE BASCULEMENT DE LA CUISINIÈRE, ELLE DOIT ÊTRE BIEN IMMOBILISÉE PAR DES DISPOSITIFS ANTIBASCULEMENT CORRECTEMENT INSTALLÉS. POUR VÉRIFIER SI LES DISPOSITIFS SONT CORRECTEMENT INSTALLÉS, GLISSER LA CUISINIÈRE VERS L'AVANT ET VÉRIFIER SI LA BRIDE ANTIBASCULEMENT EST BIEN FIXÉE AU PLANCHER OU AU MUR, ET GLISSER LA CUISINIÈRE VERS L'ARRIÈRE POUR QUE LE PIED ARRIÈRE DE LA CUISINIÈRE SOIT SOUS LA BRIDE ANTIBASCULEMENT.
- **MISE EN GARDE :** Ne pas remiser dans des armoires au-dessus de la cuisinière ou sur le dossier d'une cuisinière, des objets que des enfants pourraient vouloir atteindre. Les enfants pourraient se brûler ou se blesser en grimant sur la cuisinière.
- Installation appropriée – S'assurer que la cuisinière est correctement installée et reliée à la terre par un technicien qualifié.
- Ne jamais utiliser la cuisinière pour réchauffer ou chauffer la pièce.
- Ne pas laisser les enfants seuls – Les enfants ne doivent pas être laissés seuls ou sans surveillance dans la pièce où la cuisinière est en service. Ne jamais laisser les enfants s'asseoir ou se tenir sur une partie quelconque de la cuisinière.
- Porter des vêtements appropriés – Des vêtements amples ou détachés ne doivent jamais être portés pendant l'utilisation de la cuisinière.
- Entretien par l'utilisateur – Ne pas réparer ni remplacer toute pièce de la cuisinière si ce n'est pas spécifiquement recommandé dans le manuel. Toute autre opération d'entretien ou de réparation doit être confiée à un technicien qualifié.
- Remisage dans ou sur la cuisinière – Des matériaux inflammables ne doivent pas être remisés dans un four ou près des éléments de surface.
- Ne pas utiliser d'eau pour éteindre un feu de graisse – Éteindre le feu ou les flammes ou utiliser un extincteur à produits chimiques secs, ou un extincteur à mousse.
- N'utiliser que des mitaines sèches de four – Des mitaines de four mouillées ou humides sur des surfaces chaudes peuvent provoquer des brûlures provenant de la vapeur. Ne pas laisser les mitaines de four toucher les éléments chauffants. Ne pas utiliser une serviette ou un tissu épais.

- **NE PAS TOUCHER LES ÉLÉMENTS DE SURFACE OU L'ESPACE PRÈS DES ÉLÉMENTS** – Les éléments de surface peuvent être chauds même lorsqu'ils ont une teinte foncée. Les endroits près des éléments de surface peuvent devenir assez chauds pour causer des brûlures. Pendant et après l'utilisation, ne pas toucher les éléments chauffants et ne pas laisser les vêtements ou autres matériaux inflammables entrer en contact avec ces éléments de surface ou les endroits près des éléments, avant qu'ils soient suffisamment refroidis. Ces endroits comprennent la table de cuisson et les surfaces près de la table de la cuisson.
- Utiliser des ustensiles de dimension appropriée – La cuisinière est munie d'un ou de plusieurs éléments chauffants de différentes grandeurs. Choisir les ustensiles qui ont un fond plat assez grand pour couvrir l'élément chauffant de la surface de cuisson. L'utilisation d'ustensiles trop petits exposera une partie de l'élément chauffant, ce qui peut provoquer l'inflammation des vêtements. L'utilisation d'un récipient de dimension correcte améliore aussi l'efficacité de la cuisson.
- Ne jamais laisser les éléments de la table de cuisson sans surveillance alors qu'ils chauffent à la puissance maximale. Il pourrait en résulter une ébullition qui cause de la fumée et des renversements de corps gras qui peuvent s'enflammer.
- S'assurer que les cuvettes réfléchissantes ou les bols de renversement sont en place – L'absence de ces cuvettes ou bols au cours de la cuisson peut causer des dommages aux fils ou aux composants en dessous des éléments.
- Garnissages protecteurs – Ne pas recouvrir les cuvettes ou le fond du four de papier d'aluminium sauf tel que suggéré dans le manuel. L'installation incorrecte de papier d'aluminium ou d'autre matériau peut causer un risque de choc électrique ou d'incendie.
- Ustensiles de cuisson vitrifiés – Seulement certains types d'ustensiles de verre, vitrocéramique, céramique, faïence ou autres surfaces vitrifiées conviennent pour le service sur une table de cuisson, sans bris attribuables aux changements soudains de température.
- Les poignées des ustensiles doivent être tournées vers l'intérieur et non vers le dessus des éléments adjacents – Pour réduire le risque de brûlures, d'inflammation de produits inflammables et de renversements dus à l'entrechoquement non intentionnel des ustensiles, la poignée d'un ustensile doit être positionnée de sorte qu'elle est tournée vers l'intérieur et non au-dessus des éléments de surface adjacents.
- Ne pas tremper les éléments de chauffage amovibles – Les éléments de chauffage ne doivent jamais être immergés dans l'eau.
- Ne pas faire cuire sur une table de cuisson endommagée – Si la table de cuisson est brisée, les solutions de nettoyage et les renversements peuvent pénétrer dans la table de cuisson brisée et créer un risque d'un choc électrique. Contacter immédiatement un technicien qualifié.

CONSERVEZ CES INSTRUCTIONS

IMPORTANTES INSTRUCTIONS DE SÉCURITÉ

- Nettoyer la table de cuisson avec prudence – Si une éponge ou un chiffon mouillé est utilisé pour essuyer les renversements sur une surface de cuisson chaude, éviter les brûlures causées par la vapeur chaude. Certains nettoyants peuvent produire des émanations désagréables lorsqu'ils sont utilisés sur une surface chaude.
- Exercer une grande prudence lors de l'ouverture de la porte – Laisser l'air chaud ou la vapeur s'échapper avant d'enlever ou de replacer un plat.
- Ne pas faire chauffer des contenants fermés – L'accumulation de pression peut causer une explosion du contenant et des blessures.
- Ne jamais obstruer les ouvertures des événements.
- Positionnement des grilles du four – Toujours placer les grilles du four en position désirée pendant que le four est froid. Si la grille doit être déplacée pendant que le four est chaud, ne pas laisser les mitaines de four toucher l'élément chaud du four.
- **NE PAS TOUCHER LES ÉLÉMENTS CHAUFFANTS OU LES SURFACES INTÉRIEURES DU FOUR** – Les éléments chauffants peuvent être chauds même s'ils ont une teinte foncée. Les surfaces intérieures d'un four deviennent assez chaudes pour causer des brûlures. Pendant et après l'utilisation, ne pas toucher ou laisser des vêtements ou autres matériaux inflammables venir en contact avec les éléments chauds ou les surfaces intérieures chaudes du four avant qu'ils aient eu assez de temps pour refroidir. D'autres surfaces de l'appareil peuvent devenir assez chaudes pour causer des brûlures. Ces surfaces comprennent les ouvertures de l'évent du four et les surfaces près de ces ouvertures, les portes du four, et les hublots des portes du four.

Pour les cuisinières avec programme d'autonettoyage –

- Ne pas nettoyer le joint de la porte – Le joint de la porte est essentiel pour l'étanchéité. Veiller à ne pas froter, endommager ou déplacer le joint.
- Ne pas utiliser des produits commerciaux de nettoyage du four – On ne doit pas utiliser un produit commercial de nettoyage de four ou un enduit de protection des surfaces internes du four quel qu'en soit le type, sur les surfaces du four ou les surfaces voisines.
- Nettoyer uniquement les pièces indiquées dans le manuel.
- Avant d'exécuter le programme d'autonettoyage du four – Ôter la lèchefrite et son plat et les autres ustensiles.

Pour les appareils avec hotte de ventilation –

- Nettoyer les hottes de ventilation fréquemment – La graisse ne doit pas s'accumuler sur la hotte ou le filtre.
- Lorsque vous flambez des aliments sous la hotte, mettre le ventilateur en marche.

CONSERVEZ CES INSTRUCTIONS

GUIDE DES CARACTÉRISTIQUES

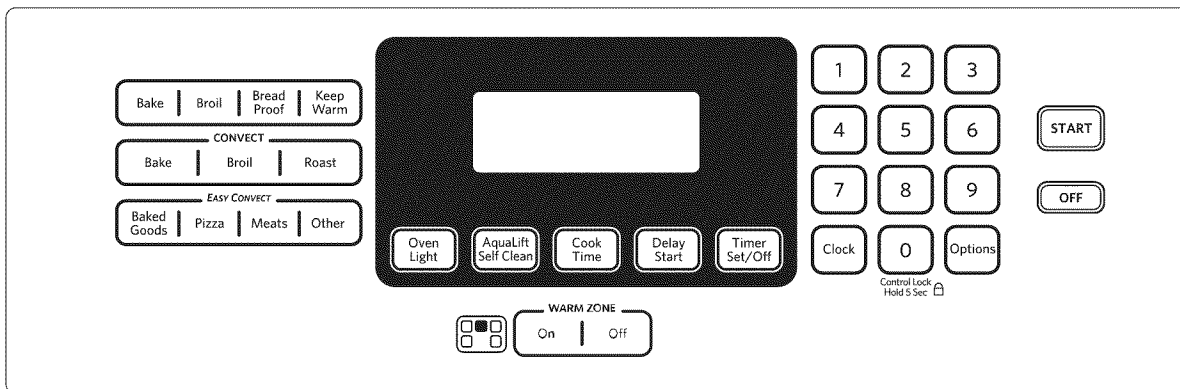
Ce manuel couvre différents modèles. Le modèle que vous avez peut comporter toutes les caractéristiques énumérées ou seulement certaines d'entre elles. Consulter ce manuel ou la section d'aide à la clientèle sur www.kitchenaid.ca pour des instructions plus détaillées.

⚠ AVERTISSEMENT

Risque d'empoisonnement alimentaire

Ne pas laisser des aliments dans un four plus d'une heure avant ou après la cuisson.

Le non-respect de cette instruction peut causer un empoisonnement alimentaire ou une maladie.



TOUCHE	CARACTÉRISTIQUE	INSTRUCTIONS
CLOCK (horloge)	Horloge	<p>Cette horloge peut utiliser un programme de 12 ou 24 heures. Voir la section "Commandes électroniques du four".</p> <ol style="list-style-type: none"> Appuyer sur CLOCK (horloge). Appuyer sur "3" pour AM (heure du matin) ou "6" pour PM (heure de l'après-midi). Appuyer sur les touches numériques pour régler l'heure du jour. Appuyer sur START (mise en marche).
OVEN LIGHT (lampe du four)	Lampe de la cavité du four	<p>Alors que la porte du four est fermée, appuyer sur la touche OVEN LIGHT (lampe du four) pour allumer ou éteindre la lampe. La lampe du four s'allume à l'ouverture de la porte.</p>
TIMER (minuterie) (Set/Off [réglage/arrêt])	Minuterie du four	<p>La minuterie peut être réglée en heures ou en minutes jusqu'à concurrence de 9 heures et 59 minutes.</p> <ol style="list-style-type: none"> Appuyer sur TIMER (minuterie). Appuyer sur les touches numériques pour régler la durée en hr-min-min. Les zéros de gauche peuvent ne pas être entrés. Entrer "2" pour 2 minutes par exemple. Appuyer sur TIMER (minuterie) pour commencer le compte à rebours. Si activés, les signaux sonores de fin de programme retentissent à la fin du compte à rebours. Appuyer sur TIMER (minuterie) pour annuler la minuterie et revenir à l'heure du jour. Ne pas appuyer sur la touche Off (arrêt), sinon le four s'éteindra.
START (mise en marche)	Démarrage de la cuisson	<p>La touche Start met en marche n'importe quelle fonction du four. Si, après avoir appuyé sur une touche, on n'appuie pas sur Start dans les 2 minutes qui suivent, la fonction est annulée et l'heure s'affiche.</p>
OFF (arrêt)	Fonction de la cuisinière	<p>La touche Off (arrêt) désactive toutes les fonctions du four à l'exception de l'horloge, de la minuterie et du verrouillage des commandes.</p>
BAKE (cuisson au four)	Cuisson au four et rôtissage	<ol style="list-style-type: none"> Appuyer sur BAKE (cuisson au four). Appuyer sur les touches numériques pour régler une température autre que 350°F (175°C) par tranches de 5°, entre 170°F et 500°F (75°C et 260°C). Appuyer sur START (mise en marche). Pour modifier la température, répéter l'étape 2. Appuyer sur START (mise en marche) pour que le changement puisse s'effectuer. Appuyer sur OFF (arrêt) après avoir terminé.

TOUCHE	CARACTÉRISTIQUE	INSTRUCTIONS
BROIL (cuisson au grill)	Cuisson au grill	<ol style="list-style-type: none"> Appuyer sur BROIL (cuisson au grill). Sélectionner la température de cuisson au grill en appuyant sur 1 - élevée (500°F [260°C]), 2 - moyenne (450°F [232°C]) ou 3 - basse (400°F [204°C]). Appuyer sur START (mise en marche), et laisser le four préchauffer pendant 5 minutes. Placer les ustensiles de cuisine dans le four et laisser la porte ouverte à la position de butée de cuisson au grill à 6" (15 cm). Appuyer sur OFF (arrêt) après avoir terminé.
CONVECT BAKE (cuisson au four par convection)	Cuisson par convection	<ol style="list-style-type: none"> Appuyer sur CONVECT BAKE (cuisson au four par convection). Appuyer sur les touches numériques pour régler une température autre que 350°F (177°C) par tranches de 5°, entre 170°F et 500°F (77°C et 260°C). Appuyer sur START (mise en marche). Pour modifier la température, répéter l'étape 2. Appuyer sur START (mise en marche) pour que le changement puisse s'effectuer. Appuyer sur OFF (arrêt) après avoir terminé.
CONVECT ROAST (rôtissage par convection)	Cuisson par convection	<ol style="list-style-type: none"> Appuyer sur CONVECT ROAST (rôtissage par convection). Appuyer sur les touches numériques pour régler une température autre que 325°F (163°C) par tranches de 5°, entre 170°F et 500°F (77°C et 260°C). Appuyer sur START (mise en marche). Pour modifier la température, répéter l'étape 2. Appuyer sur START (mise en marche) pour que le changement puisse s'effectuer. Appuyer sur OFF (arrêt) après avoir terminé.
CONVECT BROIL (cuisson au grill par convection)	Cuisson par convection	<ol style="list-style-type: none"> Appuyer sur CONVECT BROIL (cuisson au grill par convection). Appuyer sur les touches numériques pour régler une température autre que 325°F (163°C) par tranches de 5°, entre 170°F et 500°F (77°C et 260°C). Appuyer sur START (mise en marche). Pour modifier la température, répéter l'étape 2. Appuyer sur START (mise en marche) pour que le changement puisse s'effectuer. Appuyer sur OFF (arrêt) après avoir terminé.
EASYCONVECT™ CONVERSION (conversion Easyconvect™)	Conversion de recette pour cuisson par convection	<p>REMARQUE : Pour de meilleurs résultats, préchauffer le four à la température requise avant d'utiliser la conversion EasyConvect™. Une fois le préchauffage terminé, appuyer sur la touche OFF (arrêt) avant d'utiliser la conversion EasyConvect™.</p> <ol style="list-style-type: none"> Appuyer sur la touche EasyConvect™ adéquate (MEATS [viandes], PIZZA, BAKED GOODS [produits de boulangerie] ou OTHER [autre]). Appuyer sur les touches numériques pour entrer la température de cuisson standard puis appuyer sur START (mise en marche). Appuyer sur les touches numériques pour entrer une durée de cuisson standard puis appuyer sur START (mise en marche). Placer les aliments dans le four au moment opportun. Contrôler le degré de cuisson des aliments avant que l'heure de fin ne soit atteinte. Si les aliments ne sont pas cuits une fois la durée de cuisson écoulée, prolonger la cuisson avant que la cuisson ne soit terminée. Voir la section "Durée de cuisson". Une fois la durée écoulée, le four s'éteint automatiquement. Appuyer sur OFF (arrêt) après avoir terminé. Consulter la section "Conversion EasyConvect™" pour plus d'informations.
BREAD PROOF (levée du pain)	Levée du pain	<ol style="list-style-type: none"> Appuyer sur BREAD PROOF (levée du pain) jusqu'à ce que le type de levée souhaité s'affiche ("Standrd" ou "Rapid"). REMARQUE : "Rapid" fonctionne à une température légèrement supérieure pour la deuxième levée d'une pâte pré-moulée. Appuyer sur START (mise en marche). Laisser la pâte lever jusqu'à ce qu'elle ait presque doublé de volume. La durée de levée du pain peut varier en fonction du type de pâte et de la quantité. Appuyer sur OFF (arrêt) après avoir terminé la levée. Consulter la section "Levée du pain" pour plus d'informations.
KEEP WARM (garder au chaud)	Maintien au chaud	<p>Les aliments doivent être à la température de service avant d'être placés dans le four chauffé.</p> <ol style="list-style-type: none"> Appuyer sur KEEP WARM (maintien au chaud). Régler la température entre 145°F (63°C) et 190°F (88°C) en utilisant les touches numériques. La température par défaut est 170° (77°C). Appuyer sur START (mise en marche). Appuyer sur OFF (arrêt) après avoir terminé.

TOUCHE	CARACTÉRISTIQUE	INSTRUCTIONS
DELAY START (mise en marche différée)	Mise en marche différée	La touche Delay start (mise en marche différée) sert à entrer l'heure de mise en marche pour un four équipé de mise en marche différée.
COOK TIME (durée de cuisson)	Cuisson minutée	La fonction de durée de cuisson permet d'allumer le four à une certaine heure de la journée, d'effectuer une cuisson pendant une durée déterminée et/ou d'éteindre le four automatiquement. La mise en marche différée ne doit pas être utilisée pour les aliments tels que pains et gâteaux, car ils risquent de ne pas bien cuire. Pour régler une cuisson minutée ou une cuisson minutée différée, voir la section "Durée de cuisson".
WARM ZONE (zone de maintien au chaud)	Zone de maintien au chaud	Appuyer sur WARM ZONE ON (zone de maintien au chaud activée) pour sélectionner l'élément de maintien au chaud sur la table de cuisson, puis appuyer sur START (mise en marche).
ON/OFF (marche/arrêt)		Appuyer sur WARM ZONE OFF (zone de maintien au chaud désactivée) pour éteindre l'élément de maintien au chaud.
AQUALIFT SELF CLEAN (autonettoyage Aqualift)	Programme d'autonettoyage AquaLift™	Voir la section "Programme de nettoyage".
CONTROL LOCK (commandes verrouillées) appuyer pendant 3 sec.	Verrouillage des commandes du four	Aucune touche ne fonctionne lorsque les commandes sont verrouillées. <ol style="list-style-type: none"> 1. Vérifier que le four et la minuterie sont éteints. 2. Appuyer sur la touche "0" pendant 3 secondes. 3. Si cette fonction est activée, un signal sonore retentit et "TABLEAU DE COMMANDE VERROUILLÉ" s'affiche. 4. Répéter pour déverrouiller.
OPTIONS	Fonctions d'utilisation du four	Permet de personnaliser les signaux sonores audibles et le fonctionnement du four pour convenir à vos besoins. Voir la section "Utilisation du four".

UTILISATION DE LA TABLE DE CUISSON

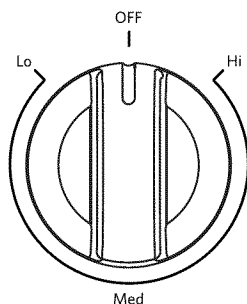
⚠ AVERTISSEMENT



Risque d'incendie

Fermer tous les réglages lorsque la cuisson est terminée.

Le non-respect de cette instruction peut causer un décès ou un incendie.



Les boutons de commande peuvent être réglés à n'importe quelle position entre HI (élevée) et LO (basse). Pousser et tourner le bouton au réglage.

N'OUBLIEZ PAS : Lors de l'utilisation de la cuisinière, toute la surface de la table de cuisson peut devenir chaude.

Vitrocéramique

La surface de cuisson rougeoie lorsqu'un élément est allumé. Il est possible que certaines zones de la surface de cuisson ne rougeoient pas lorsqu'un élément est allumé. Ceci est normal. Il fonctionne également par intermittence et de façon aléatoire (même en position élevée) afin de protéger la table de cuisson contre des températures extrêmes.

Il est normal que la surface en vitrocéramique semble changer de couleur lorsque les zones de cuisson à la surface sont chaudes. Lorsque le verre refroidit, il revient à sa couleur originale.

Nettoyer la table de cuisson après chaque utilisation afin d'éviter les égratignures, les piqûres et l'abrasion et pour entretenir la surface de verre. Un nettoyeur pour table de cuisson en vitrocéramique et un grattoir de table de cuisson sont aussi recommandés pour les saletés tenaces. Ne pas utiliser des produits de nettoyage abrasifs, des tampons de nettoyage ou des produits chimiques agressifs. La trousse d'entretien de la table de cuisson (pièce n° 31605) contient tous les articles nécessaires pour nettoyer et entretenir votre table de cuisson en vitrocéramique. Consulter la section "Entretien de la cuisinière" pour plus de renseignements.

IMPORTANT : Pour éviter d'endommager la surface de la table de cuisson de façon permanente et pour faciliter l'élimination des saletés, nettoyer la table de cuisson après chaque utilisation pour éliminer toutes les saletés.

- Les tables de cuisson équipées d'un élément Even-Heat™ Ultra présentent la meilleure performance de mijotage pour les grandes casseroles et de vitesse d'ébullition des aliments. Pour des poêles de 10" (25,4 cm) ou plus, utiliser l'élément Even-Heat™ Ultra au réglage "Ultra High" (ultra-haut) pour obtenir la vitesse d'ébullition maximale. Pour une performance idéale au réglage de chaleur faible avec des poêles de 10" (25,4 cm) ou plus, utiliser l'élément Even-Heat™ Ultra au réglage "Even Heat Simmer" (mijotage avec chauffage uniforme).

- Pour les tables de cuisson comportant deux éléments doubles à l'avant, la meilleure performance d'ébullition pour les aliments placés dans des casseroles de 10" (25,4 cm) et plus est donnée par le plus grand des éléments doubles, au réglage "Dual Hi" (double/élevé). La meilleure performance de cuisson à petit feu pour les aliments placés dans des casseroles de 10" (25,4 cm) et plus est donnée par le plus petit des éléments doubles, au réglage "Single Lo" (simple/faible).
- Pour une performance idéale lorsque l'on fait fondre les aliments avec les petites poêles, utiliser l'élément Even-Heat™.
- Utiliser des ustensiles de cuisson à fond plat pour une meilleure conduction de la chaleur et une meilleure utilisation de l'énergie. Les ustensiles de cuisson à fond arrondi, déformé, cannelé ou bosselé pourraient causer un chauffage inégal et de mauvais résultats de cuisson.
- Vérifier que le récipient est plat en plaçant le bord plat d'une règle en travers du fond du récipient. Lorsque l'on fait tourner la règle, aucun espace ni aucune lumière ne devraient être visibles entre celle-ci et le récipient.
- Les ustensiles de cuisson à fond légèrement cannelé ou à petites stries permettant l'expansion peuvent être utilisés.
- S'assurer que les fonds des casseroles et poêles sont propres et secs avant de les utiliser. Les résidus et l'eau peuvent laisser des dépôts quand ils sont chauffés.
- Ne pas ranger de bocaux ou de boîtes de conserve au-dessus de la table de cuisson. La chute d'un objet lourd ou dur sur la table de cuisson pourrait la fêler.
- Afin d'éviter d'endommager la table de cuisson, ne pas laisser un couvercle chaud sur la table de cuisson. Lorsque la table de cuisson refroidit, de l'air peut s'accumuler entre le couvercle et la table de cuisson, et la vitrocéramique pourrait se casser lorsqu'on enlève le couvercle.
- Nettoyer dès que possible tous les renversements et toutes les saletés des aliments contenant du sucre sous n'importe quelle forme. Laisser la table de cuisson refroidir légèrement. Ensuite, tout en portant des mitaines de four, nettoyer les renversements avec un grattoir tandis que la surface est encore tiède. Si on laisse le sucre refroidir sur la table de cuisson, il se peut que celui-ci adhère à la surface et entraîne de la corrosion et des marques permanentes.
- Afin d'éviter toute égratignure, ne pas faire glisser d'ustensiles de cuisson sur la table de cuisson. Les fonds en aluminium ou en cuivre et les finis rugueux des ustensiles de cuisson pourraient laisser des égratignures ou des marques sur la table de cuisson.
- Ne pas faire cuire sur la table de cuisson du maïs soufflé dans des récipients préemballés en aluminium. Ils pourraient laisser des marques d'aluminium qui ne peuvent être complètement enlevées.
- Afin d'éviter d'endommager la table de cuisson, ne pas laisser des objets qui pourraient fondre, comme du plastique ou du papier d'aluminium, toucher une partie quelconque de la table de cuisson.
- Afin d'éviter d'endommager la table de cuisson, ne pas l'utiliser en guise de planche à découper.
- Afin d'éviter d'endommager la table de cuisson, ne pas faire cuire d'aliments directement sur la table de cuisson.

Témoin lumineux d'allumage de la table de cuisson

Le témoin lumineux d'allumage de la table de cuisson se trouve sur le panneau de la console. Lorsque le bouton de commande sur le panneau de la console est activé, le témoin lumineux d'allumage de la table de cuisson s'allume.

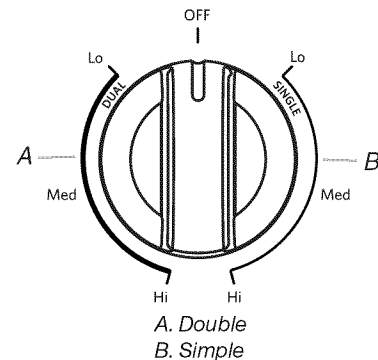
Témoin lumineux de surface chaude

Sur les modèles en vitrocéramique, le témoin lumineux de surface chaude se trouve sur le panneau de la console.

Le témoin de surface chaude reste allumé tant qu'une surface de cuisson est trop chaude pour être touchée, même après que la surface de cuisson soit éteinte.

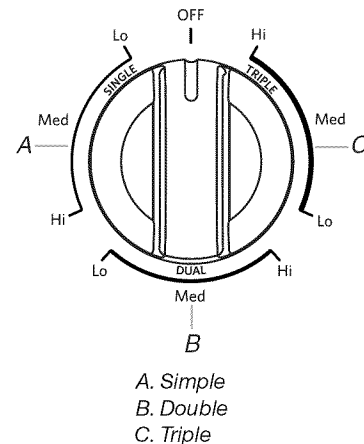
Élément de cuisson à double zone (sur certains modèles)

L'élément de cuisson à double zone offre une grande souplesse d'utilisation en fonction de la taille des ustensiles de cuisson. La dimension simple peut être utilisée de la même manière qu'un élément ordinaire. La dimension double combine l'élément simple et l'élément externe; elle est recommandée pour les ustensiles de cuisson de plus grande dimension.



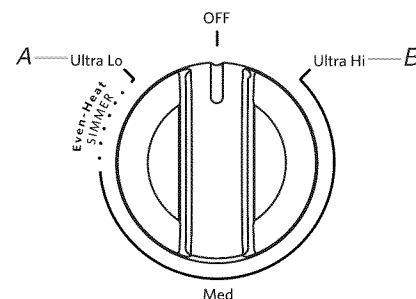
Élément à triple zone (sur certains modèles)

L'élément à triple zone offre une grande souplesse d'utilisation en fonction de la taille des ustensiles de cuisson. La dimension simple peut être utilisée de la même manière qu'un élément ordinaire. La dimension double et la dimension triple combinent l'élément simple, l'élément double et l'élément externe; leur utilisation est recommandée pour les ustensiles de cuisson de plus grande dimension, pour les grandes quantités de nourriture et la préparation de conserves à la maison.



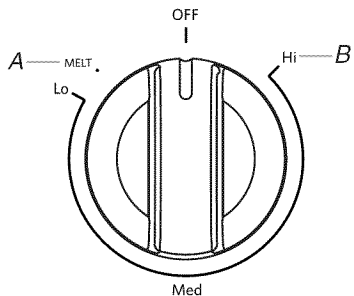
Élément Even-Heat™ Ultra (sur certains modèles)

L'élément Even-Heat™ Ultra offre une plus grande flexibilité de cuisson. L'élément Even-Heat™ Ultra peut être utilisé pour porter plus rapidement des liquides à ébullition. Le réglage le plus faible peut être utilisé pour préparer des sauces ou de conserver des aliments à basse température. Utiliser des ustensiles de cuisson de taille appropriée pour l'élément Even-Heat™ Ultra.



Élément Even-Heat™

L'élément de cuisson Even-Heat™ offre plus de flexibilité grâce à une grande gamme de réglages entre High (élevé) et Melt (faire fondre). L'option High heat (chaleur élevée) peut être utilisée pour faire bouillir de petites quantités de liquide rapidement. Pour réduire le réglage du niveau de puissance, tourner le bouton dans le sens horaire. Le réglage Melt (faire fondre) a été conçu pour des aliments délicats qui nécessitent une température basse, comme pour faire fondre du chocolat ou préserver la tenue des sauces. Utiliser des ustensiles de cuisson de taille appropriée pour l'élément Even-Heat™.



A. Option Melt (faire fondre)
B. Option de chaleur élevée

Élément zone de maintien au chaud

⚠ AVERTISSEMENT

Risque d'empoisonnement alimentaire

Ne pas laisser des aliments reposer plus d'une heure avant ou après la cuisson.

Le non-respect de cette instruction peut causer un empoisonnement alimentaire ou une maladie.

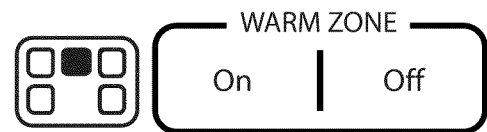
Utiliser l'élément de zone de maintien au chaud de la table de cuisson pour garder au chaud les aliments cuits. La durée maximale recommandée pour maintenir la qualité des aliments est de une heure.

Ne pas l'utiliser pour chauffer des aliments froids.

L'élément de zone de maintien au chaud peut être utilisé seul ou lorsque n'importe quelle autre surface de cuisson est utilisée.

La zone de l'élément de maintien au chaud ne rougeie pas lorsque l'élément s'allume (pendant l'allumage/l'extinction par intermittence). Cependant, le témoin "Element On" (élément activé) s'allume lorsque l'élément de zone de maintien au chaud est utilisé.

- N'utiliser que les ustensiles de cuisson recommandés pour une utilisation avec le four et la table de cuisson.
- Couvrir tous les aliments avec un couvercle ou du papier d'aluminium. Lors du réchauffage de produits de boulangerie, prévoir une petite ouverture pour laisser l'humidité s'échapper.
- Pour éviter d'endommager la table de cuisson, ne pas utiliser de pellicule de plastique pour couvrir les aliments, car le plastique risque de fondre.
- Utiliser des mitaines de four ou des poignées pour retirer les aliments.



Utilisation :

1. Pour le mettre en marche, appuyer sur WARM ZONE ON (zone de maintien au chaud activée), puis sur START (mise en marche).
2. Pour l'éteindre, appuyer sur WARM ZONE OFF (zone de maintien au chaud désactivée).

Ustensiles de cuisson

IMPORTANT : Ne pas laisser d'ustensile de cuisson vide sur une surface de cuisson, un élément ou un brûleur de surface chauds.

Les ustensiles de cuisson idéals doivent avoir un fond plat, des parois droites, un couvercle qui ferme hermétiquement et le matériau doit être d'épaisseur moyenne à forte.

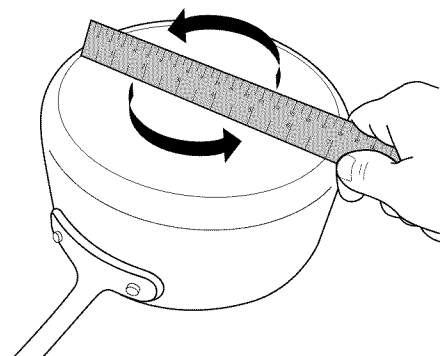
Les finis rugueux peuvent égratigner la table de cuisson.

L'aluminium et le cuivre peuvent être utilisés comme fond ou base d'un ustensile de cuisson. Toutefois, lorsqu'ils sont utilisés comme base, ils peuvent laisser des marques permanentes sur les grilles.

Le matériau d'un ustensile a une influence sur la rapidité et l'uniformité de la transmission de la chaleur, lesquelles contribuent aux résultats de cuisson. Un fini antiadhésif a les mêmes caractéristiques que son matériau de base. Par exemple, un ustensile de cuisson en aluminium avec un fini antiadhésif aura les propriétés de l'aluminium.

Les ustensiles de cuisson avec surface antiadhésive ne doivent pas être utilisés sous le gril.

Vérifier que le récipient est plat en plaçant le bord plat d'une règle en travers du fond du récipient. Lorsque l'on fait tourner la règle, aucun espace ni aucune lumière ne devraient être visibles entre celle-ci et le récipient.

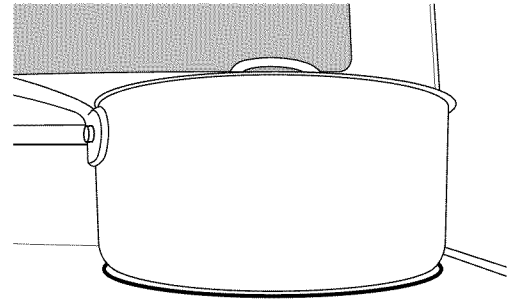


Utiliser le tableau suivant comme guide pour les caractéristiques du matériau d'ustensile de cuisson.

USTENSILE	CARACTÉRISTIQUES
Aluminium	<ul style="list-style-type: none"> ■ Chauffe rapidement et uniformément. ■ Convient à tous les genres de cuisson. ■ L'épaisseur moyenne ou forte convient le mieux pour la plupart des tâches de cuisson. ■ Peut laisser des résidus d'aluminium. Pour en réduire la quantité, les nettoyer immédiatement après la cuisson.
Fonte	<ul style="list-style-type: none"> ■ Chauffe lentement et uniformément. ■ Convient pour le brunissage et la friture. ■ Maintient la chaleur pour une cuisson lente. ■ Des rebords anguleux ou mal poncés peuvent érafler la table de cuisson.
Céramique ou vitrocéramique	<ul style="list-style-type: none"> ■ Suivre les instructions du fabricant. ■ Chauffe lentement, mais inégalement. ■ Les meilleurs résultats sont obtenus sur les réglages de chaleur basse à moyenne. ■ Peut érafler la table de cuisson.
Cuivre	<ul style="list-style-type: none"> ■ Chauffe très rapidement et uniformément. ■ Peut laisser des résidus de cuivre. Pour en réduire la quantité, les nettoyer immédiatement après la cuisson. ■ Peut laisser une tache indélébile ou adhérer à la table de cuisson en cas de surchauffe du matériau.

USTENSILE	CARACTÉRISTIQUES
Terre cuite	<ul style="list-style-type: none"> ■ Suivre les instructions du fabricant. ■ Utiliser des réglages de température basse. ■ Peut érafler la table de cuisson.
Acier émaillé en porcelaine ou fonte émaillée	<ul style="list-style-type: none"> ■ Voir acier inoxydable ou fonte. ■ Les ustensiles de cuisson au four en émail vitrifié dépourvus d'une base métallique peuvent adhérer à la table de cuisson en cas de surchauffe du matériau.
Acier inoxydable	<ul style="list-style-type: none"> ■ Chauffe rapidement, mais inégalement. ■ Un fond ou une base d'aluminium ou de cuivre sur l'acier inoxydable procure un chauffage uniforme.

Utiliser des ustensiles de cuisson à fond plat pour obtenir de meilleurs résultats de cuisson et une meilleure utilisation de l'énergie. Les ustensiles de cuisson doivent avoir la même taille que la zone de cuisson indiquée sur la table de cuisson. L'ustensile de cuisson ne doit pas dépasser de plus de 1/2" (1,3 cm) hors de la zone de cuisson.



Mise en conserve à la maison

La mise en conserve peut se faire sur une surface de cuisson lisse en verre. Lors de la préparation de conserves pendant de longues périodes, alterner l'utilisation des surfaces de cuisson ou des éléments entre les quantités préparées. Ceci permet aux dernières surfaces utilisées de refroidir.

- Centrer l'autoclave sur la plus grande surface de cuisson ou sur le plus grand élément. Sur les tables de cuisson électriques, l'autoclave ne doit pas dépasser de plus de 1/2" (1,3 cm) hors de la surface de cuisson ou l'élément de cuisson.

- Ne pas placer l'autoclave sur deux surfaces de cuisson ou deux éléments à la fois.
- Sur les modèles en vitrocéramique, utiliser seulement des autoclaves à fond plat pour éviter d'endommager la table de cuisson et les éléments.
- Pour plus de renseignements, contacter votre bureau de développement agricole local, ou consulter les guides de mise en conserve à la maison. Les compagnies qui fabriquent des produits pour la préparation de conserves peuvent aussi offrir de l'aide.

UTILISATION DU FOUR

Des odeurs et de la fumée sont normales lorsque le four est utilisé les premières fois, ou lorsqu'il est très sale.

IMPORTANT : La santé de certains oiseaux est très sensible aux émanations de fumée. L'exposition aux émanations peut entraîner la mort de certains oiseaux. Toujours déplacer les oiseaux dans une autre pièce fermée et bien aérée.

Commandes électroniques du four

Affichage des commandes

L'affichage clignote lorsqu'il est mis en marche ou après une coupure de courant. Appuyer sur OFF (arrêt) pour effacer. Lorsque le four n'est pas en marche, l'heure du jour est affichée.

Signaux sonores

Les signaux sonores indiquent ce qui suit :

Un seul signal sonore

- Appui sur une touche valide
- Four préchauffé (signal sonore long)
- Fonction entrée
- Rappel (sur certains modèles), signal se répétant à intervalles d'une minute après les signaux sonores de fin de programme

Trois signaux sonores

- Appui sur une touche non valide

Quatre signaux sonores

- Fin de programme

Appuyer sur la touche OPTIONS pour modifier les réglages des signaux sonores.

Options

De nombreuses caractéristiques du module de commande du four peuvent être ajustées pour répondre à vos besoins. On effectue ces changements à l'aide de la touche OPTIONS.

Utiliser la touche OPTIONS pour faire défiler les caractéristiques qui peuvent être modifiées. L'affichage passe au réglage suivant à chaque pression supplémentaire sur OPTIONS. Après avoir sélectionné la caractéristique à modifier, le tableau de commande demande à l'utilisateur d'effectuer la manœuvre nécessaire. Une fois que l'on a sauvegardé le réglage en appuyant sur Start (mise en marche), le tableau de commande quitte "Options" et affiche l'heure. Les sections suivantes détaillent toutes les modifications de caractéristiques.

Appuyer sur OFF (arrêt) pour sortir du mode Options.

Heure du jour de l'horloge

Cette horloge peut utiliser un programme de 12 ou 24 heures. Pour la régler, voir "Horloge 12/24 heures" dans cette section.

Vérifier que le four et la minuterie sont éteints.

Pour changer l'heure du jour :

1. Appuyer une fois sur OPTIONS. Après 3 secondes, "SET CLOCK-PUSH START TO CHANGE" (réglage de l'horloge - appuyer sur Start pour modifier) sera affiché.
2. Appuyer sur START (mise en marche) pour afficher le réglage actuel.
3. Appuyer sur "3" pour AM (heure du matin) ou "6" pour PM (heure de l'après-midi).
4. Appuyer sur les touches numériques pour régler l'heure du jour.
5. Appuyer sur START (mise en marche).
6. Appuyer sur OFF (arrêt) pour sortir.

Fahrenheit et Celsius

Le four est pré-réglé pour un affichage de la température en degrés Fahrenheit, mais on peut le commuter en degrés Celsius.

Pour modifier :

1. Appuyer sur OPTIONS jusqu'à ce que "TEMP UNIT" (unité de température) s'affiche.
2. Appuyer sur START (mise en marche) pour afficher le réglage actuel.
3. Appuyer sur la touche "3" pour modifier le réglage.
4. Appuyer sur START (mise en marche) pour enregistrer le réglage.
5. Appuyer sur OFF (arrêt) pour sortir.

Désactivation des signaux sonores

Désactive tous les signaux sonores, y compris le signal sonore de fin de programme et les signaux sonores d'appui sur une touche. Les signaux sonores de rappel restent actifs lorsque tous les sons sont désactivés.

1. Appuyer sur OPTIONS jusqu'à ce que "ALL SOUNDS" (tous les signaux) s'affiche.
2. Appuyer sur START (mise en marche) pour afficher le réglage actuel.
3. Appuyer sur la touche "3" pour modifier le réglage.
4. Appuyer sur START (mise en marche) pour enregistrer le réglage.
5. Appuyer sur OFF (arrêt) pour sortir.

Timbre des signaux sonores (Volume)

Règle le timbre du signal sonore à bas ou élevé.

1. Appuyer sur OPTIONS jusqu'à ce que "TONE PITCH" (tonalité) s'affiche.
2. Appuyer sur START (mise en marche) pour afficher le réglage actuel.
3. Appuyer sur la touche "3" pour modifier le réglage.
4. Appuyer sur START (mise en marche) pour enregistrer le réglage.
5. Appuyer sur OFF (arrêt) pour sortir.

Signal sonore de fin de programme

Active ou désactive les signaux sonores qui retentissent à la fin d'un programme.

1. Appuyer sur OPTIONS jusqu'à ce que "CYCLE TONE END" (fin du signal de programme) s'affiche.
2. Appuyer sur START (mise en marche) pour afficher le réglage actuel.
3. Appuyer sur la touche "3" pour modifier le réglage.
4. Appuyer sur START (mise en marche) pour enregistrer le réglage.
5. Appuyer sur OFF (arrêt) pour sortir.

Signaux sonores d'appui sur une touche

Active ou désactive les signaux sonores lorsqu'on appuie sur une touche.

1. Appuyer sur OPTIONS jusqu'à ce que "KEY PRESS TONE" (signal de pression sur une touche) s'affiche.
2. Appuyer sur START (mise en marche) pour afficher le réglage actuel.
3. Appuyer sur la touche "3" pour modifier le réglage.
4. Appuyer sur START (mise en marche) pour enregistrer le réglage.
5. Appuyer sur OFF (arrêt) pour sortir.

Désactivation des signaux sonores de rappel

Désactive les courts signaux sonores qui retentissent toutes les minutes après les signaux sonores de fin de programme.

1. Appuyer sur OPTIONS jusqu'à ce que "REMINDER TONE" (signal de rappel) s'affiche.
2. Appuyer sur START (mise en marche) pour afficher le réglage actuel.
3. Appuyer sur la touche "3" pour modifier le réglage.
4. Appuyer sur START (mise en marche) pour enregistrer le réglage.
5. Appuyer sur OFF (arrêt) pour sortir.

Horloge 12/24 heures

1. Appuyer sur OPTIONS jusqu'à ce que "12/24 HR" s'affiche.
2. Appuyer sur START (mise en marche) pour afficher le réglage actuel.
3. Appuyer sur la touche "3" pour modifier le réglage.
4. Appuyer sur START (mise en marche) pour enregistrer le réglage.
5. Appuyer sur OFF (arrêt) pour sortir.

Mode démo

IMPORTANT : Ce mode est conçu pour le personnel de vente en rayon avec une alimentation de 120 V et permet de présenter le fonctionnement des caractéristiques du tableau de commande sans pour autant activer les éléments de chauffage. Si cette caractéristique est activée, le four ne fonctionnera pas.

1. Appuyer sur OPTIONS jusqu'à ce que "DEMO MODE" (mode de démonstration) s'affiche.

2. Appuyer sur START (mise en marche) pour afficher le réglage actuel.
3. Appuyer sur la touche "3" pour modifier le réglage.
4. Appuyer sur START (mise en marche) pour enregistrer le réglage.
5. Appuyer sur OFF (arrêt) pour sortir.

Arrêt au bout de 12 heures

La commande du four est réglée pour éteindre le four automatiquement 12 heures après que le four a activé une fonction de cuisson ou de nettoyage. Ceci ne perturbera aucune fonction de cuisson minutée ou différée.

1. Appuyer sur OPTIONS jusqu'à ce que "12-HR SHUT-OFF" (arrêt au bout de 12 heures) s'affiche.
2. Appuyer sur START (mise en marche) pour afficher le réglage actuel.
3. Appuyer sur la touche "3" pour modifier le réglage.
4. Appuyer sur START (mise en marche) pour enregistrer le réglage.
5. Appuyer sur OFF (arrêt) pour sortir.

Langues - Menu d'affichage déroulant

Les options de langues sont l'anglais, l'espagnol et le français.

1. Appuyer sur OPTIONS jusqu'à ce que "LANGUAGE" (langue) s'affiche.
2. Appuyer sur START (mise en marche) pour afficher le réglage actuel.

3. Appuyer sur la touche "3" pour modifier le réglage.
4. Appuyer sur START (mise en marche) pour enregistrer le réglage.
5. Appuyer sur OFF (arrêt) pour sortir.

Commande de décalage de température du four

IMPORTANT : Ne pas utiliser de thermomètre pour mesurer la température du four car l'ouverture de la porte du four peut provoquer des mesures incorrectes de l'élément à fonctionnement par intermittence.

Le four fournit des températures précises; toutefois, il peut cuire plus rapidement ou plus lentement que votre four précédent, c'est pourquoi la température peut être ajustée à vos besoins de cuisson. Elle peut être modifiée en degrés Fahrenheit ou Celsius.

Ajustement de la température du four :

1. Appuyer sur OPTIONS jusqu'à ce que "TEMP OFFSET" (écart de température) s'affiche.
2. Appuyer sur START (mise en marche) pour afficher le réglage actuel.
3. Appuyer sur la touche "3" pour augmenter la température par tranches de 5°F (3°C), ou appuyer sur la touche "6" pour diminuer la température par tranches de 5°F (3°C). La plage de température doit se situer entre -30°F et +30°F (-18°C à 18°C).
4. Appuyer sur START (mise en marche) pour enregistrer le réglage.
5. Appuyer sur OFF (arrêt) pour sortir.

Mode Sabbat

Le mode Sabbat permet au four de rester sur un réglage de cuisson au four jusqu'à ce qu'on l'éteigne.

Lorsque le mode Sabbat est activé, seul le programme Bake (cuisson au four) fonctionnera. Tous les autres programmes de cuisson et de nettoyage sont désactivés. Aucun signal sonore ne retentit et l'afficheur n'indique pas les messages ou les changements de température.

Lorsque la porte du four est ouverte ou fermée, la lampe du four ne s'allume ou ne s'éteint pas et les éléments de chauffage ne s'allument ou ne s'éteignent pas immédiatement.

Activation du mode Sabbat (une seule fois) :

1. Ouvrir la porte du four.
2. Appuyer sur 7-8-9-6.
"SABBATH ON" (mode Sabbat activé) ou "SABBATH OFF" (mode Sabbat désactivé) apparaît sur l'affichage. Si "SABBATH ON" s'affiche, cela signifie que le mode Sabbat est activé. Passer à l'étape 4. Si "SABBATH OFF" s'affiche, passer à l'étape 3.
3. Appuyer sur START pour changer l'état affiché.
4. Fermer la porte du four et appuyer sur OFF (arrêt). Le mode Sabbat peut être utilisé pour la cuisson au four.

REMARQUE : Pour désactiver le mode Sabbat, répéter les étapes 1 à 4 pour changer l'état de "SABBATH ON" (mode Sabbat activé) à "SABBATH OFF" (mode Sabbat désactivé).

Activation du mode Sabbat :

1. Appuyer sur BAKE (cuisson au four).
2. Appuyer sur les touches numériques pour entrer une température autre que 350°F (177°C).
3. Appuyer sur START (mise en marche).
Pour une cuisson minutée au mode Sabbat, appuyer sur COOK TIME (durée de cuisson), puis sur les touches numériques pour régler la durée de cuisson désirée.
4. Appuyer sur OPTIONS, puis sur "7". "SAb" apparaît sur l'affichage.

Réglage de la température (lorsque le mode Sabbat fonctionne) :

1. Appuyer sur les touches numériques comme indiqué par le texte déroulant afin de sélectionner la nouvelle température.
REMARQUE : Aucune température n'apparaît sur l'affichage. L'afficheur présente le même texte déroulant que celui qui était affiché avant que l'on appuie sur la touche.
2. Appuyer sur START (mise en marche).

Désactivation du mode Sabbat :

Appuyer sur OPTIONS, puis sur "7" pour revenir à la cuisson au four traditionnelle ou appuyer sur OFF pour éteindre la cuisinière.

Papier d'aluminium

IMPORTANT : Pour éviter des dommages permanents au fini du fond du four, ne pas recouvrir le fond du four avec du papier d'aluminium ou un revêtement quelconque.

Pour assurer une bonne circulation de l'air et des résultats de cuisson optimaux, ne pas recouvrir la grille entière de papier d'aluminium.

Positionnement des grilles et des ustensiles de cuisson au four

IMPORTANT : Afin d'éviter des dommages permanents au fini en porcelaine, ne pas placer d'aliments ou d'ustensiles de cuisson au four directement sur la porte ou sur le fond du four.

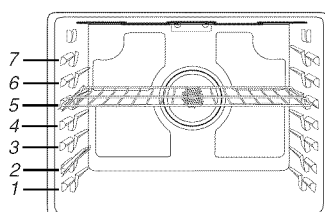
Ustensiles de cuisson au four

L'air chaud doit pouvoir circuler autour de l'aliment pour le cuire uniformément. Laisser 2" (5 cm) entre les ustensiles de cuisson et les parois du four. S'assurer qu'aucun ustensile de cuisson ne se trouve directement au-dessus d'un autre.

Grilles

- Placer les grilles avant d'allumer le four.
- Ne pas déplacer les grilles lorsque des ustensiles de cuisson se trouvent dessus.
- S'assurer que les grilles sont d'aplomb.

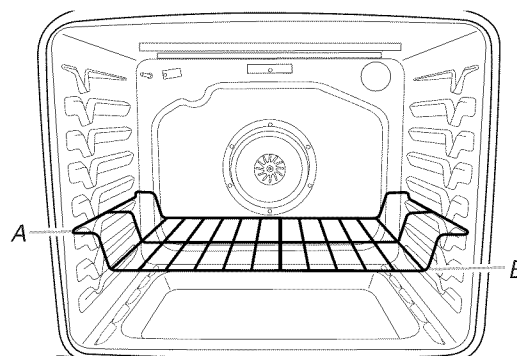
Pour déplacer une grille, la tirer jusqu'à la butée d'arrêt, soulever le rebord avant puis la retirer. Se servir de l'illustration et du tableau suivants comme guide.



Le four a 7 positions pour une grille plate, comme indiquées dans l'illustration précédente et le tableau suivant.

Position de la grille plate*	Type d'aliment
7	Cuire au grill/faire flamber les viandes, les hamburgers, les steaks
6	Viandes grillées, volaille grillée, poisson grillé
3 ou 4	La plupart des produits de boulangerie, mets en sauce
2	Viandes rôties
1	Gros rôtis ou volaille rôtie

*Si votre modèle possède une grille de four à capacité maximale, les extrémités encastées doivent être placées dans la position de grille au dessus de la position souhaitée pour les aliments. Voir l'illustration suivante.



A. Extrémités de la grille en position 3
B. Aliments en position 2

IMPORTANT : Ces positions de grille sont pour les grilles plates. Si une grille de four à capacité maximale est utilisée, la position de la grille doit être ajustée comme dans la figure précédente.

Cuisson sur plusieurs grilles

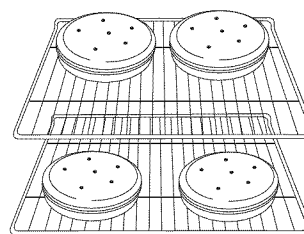
Cuisson sur 2 grilles : Utiliser les positions de grille 2 et 5 pour la cuisson ordinaire.

Cuisson sur 2 grilles (par convection uniquement) : Utiliser les positions de grille 2 et 5.

Cuisson sur 3 grilles (par convection uniquement) : Utiliser les positions de grille 2, 4 et 6.

Performance idéale sur 2 grilles

Pour des résultats optimaux lors de la cuisson au four de gâteaux sur 2 grilles, utiliser les grilles 2 et 5 avec la fonction de cuisson au four. Placer les gâteaux sur les grilles comme indiqué. Pour des résultats optimaux lors de la cuisson au four de biscuits sur 2 grilles, utiliser les grilles 2 et 5 avec la fonction de cuisson au four par convection.

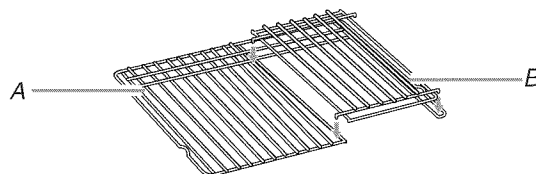


Grille de four en deux pièces (sur certains modèles)

Grille en deux pièces à section amovible

La grille en deux pièces à section amovible maximise l'espace. Lorsque les deux pièces sont reliées, elles forment une grille pleine largeur. La section amovible peut également être enlevée pour faire de la place pour des gros aliments tels qu'une dinde ou des mets en sauce. Ne pas placer plus de 25 lb (11,3 kg) sur la grille en deux pièces.

La section amovible peut aussi servir de grille de refroidissement sur un comptoir.

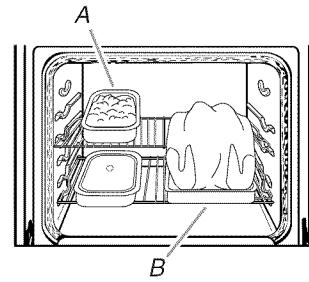


A. Grille en deux pièces
B. Section amovible

Il est possible de commander une grille en deux pièces. Voir la section "Accessoires" pour placer une commande.

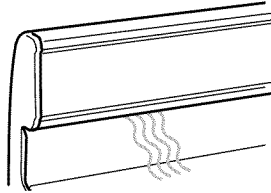
Utilisation des grilles :

1. Placer une grille pleine largeur dans la section inférieure du four et placer la grille en deux pièces au-dessus.
2. Placer les gros aliments sur le côté droit de la grille pleine largeur.
3. Placer les plats couverts plus profonds sur le côté gauche de la grille pleine largeur.
4. Placer les plats peu profonds sur la grille en deux pièces.
5. À la fin de la cuisson, retirer les aliments avec précaution.



- A. Placer les plats peu profonds sur la grille en deux pièces
B. Gros article placé sur le côté droit de la grille pleine largeur

Évent du four



L'évent du four permet l'évacuation de l'air chaud et de l'humidité du four et ne doit pas être obstrué ou couvert. Le fait d'obstruer ou de couvrir l'évent nuit à la circulation adéquate de l'air et affecte les résultats de cuisson et de nettoyage. Ne pas placer près de l'évent du four des produits en plastique, en papier ou d'autres articles qui pourraient fondre ou brûler.

Cuisson au four et rôtissage

Système de gestion de la température

Le module de commande du four contrôle les niveaux de chaleur dans le four durant le préchauffage et la cuisson afin de maintenir une gamme précise de températures pour des résultats de cuisson optimaux. Les éléments de cuisson au four et au gril ou brûleurs s'allument et s'éteignent par intermittence. Pour les modèles de cuisinières à convection, le ventilateur et l'élément de convection peuvent fonctionner pendant le préchauffage et s'allumer et s'éteindre par intermittence pendant de courts intervalles durant la cuisson au four afin de fournir de meilleurs résultats de cuisson. Cette caractéristique est activée automatiquement lorsque le four est utilisé.

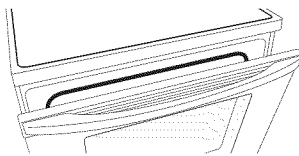
Avant la cuisson au four et le rôtissage, placer les grilles comme indiqué à la section "Positionnement des grilles et des ustensiles de cuisson au four". Lors du rôtissage, il n'est pas nécessaire d'attendre la fin du préchauffage du four avant d'y placer la nourriture, sauf si la recette le recommande.

Préchauffage

Lorsque l'on appuie sur Start (mise en marche), le four commence à préchauffer. Une fois que la température de 100°F (38°C) est atteinte, la température affichée augmente au fur et à mesure de l'augmentation de la température réelle du four. Lorsque la température de préchauffage est atteinte, un signal sonore est émis et la température sélectionnée apparaît sur l'affichage. La durée nécessaire pour préchauffer le four à 350°F (177°C) est d'environ 15 minutes, selon le modèle. Certains facteurs peuvent avoir un impact sur la durée de préchauffage : la température ambiante, la température de départ du four et le nombre de grilles installées. Pour réduire la durée de préchauffage, on peut retirer les grilles inutilisées avant de préchauffer le four.

Cuisson au gril

Laisser la porte ouverte à la position de butée du gril à 6" (15 cm) pour assurer une température de cuisson au gril adéquate. Préchauffer le four pendant 5 minutes avant d'y placer des aliments, à moins que la recette ne recommande autre chose. Placer l'aliment sur la grille de la lèchefrite, puis placer celle-ci au centre de la grille du four.



REMARQUE : Des odeurs et de la fumée sont normales lorsque le four est utilisé les premières fois, ou lorsqu'il est très sale.

Le changement de température lors de la cuisson au gril permet un contrôle plus précis de la cuisson. Plus le réglage du gril est bas, plus la cuisson est lente. Les morceaux épais et de forme irrégulière de viande, de poisson et de volaille cuisent mieux à des réglages de gril plus bas. Utiliser les grilles 6 ou 7 pour la cuisson au gril. Consulter la section "Positionnement des grilles et ustensiles de cuisson au four" pour plus d'informations.

Lors de la cuisson au gril en utilisant un réglage bas ou moyen, l'élément de cuisson s'allume et s'éteint par intermittence afin de maintenir une température adéquate.

- Pour de meilleurs résultats, utiliser une lèchefrite et une grille. La lèchefrite est conçue pour laisser s'écouler les jus et aider à éviter les éclaboussures et la fumée.

Il est possible de commander une lèchefrite. Consulter la section "Accessoires" pour plus d'informations.

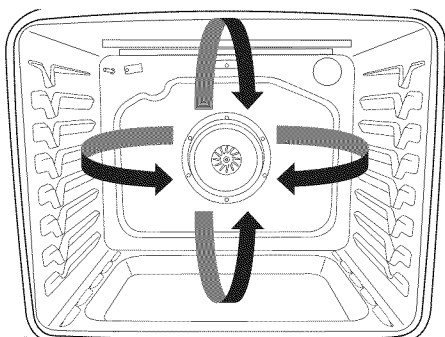
Cuisson par convection

Dans un four à convection, l'air chaud que fait circuler le ventilateur distribue la chaleur de façon continue et plus uniformément que le mouvement naturel de l'air dans un four thermique standard. Ce déplacement de l'air chaud aide à maintenir une température constante dans tout le four, ce qui permet de cuire les aliments plus uniformément, de faire croustiller la surface des aliments tout en conservant leur humidité naturelle et de donner des pains plus croustillants.

Durant la cuisson par convection, les brûleurs de cuisson au four et de cuisson au gril, l'élément de convection (convection véritable uniquement) et le ventilateur s'allument et s'éteignent par intermittence pour maintenir la température du four tandis que le ventilateur fait circuler l'air chaud.

Si la porte du four est ouverte durant la cuisson par convection, le ventilateur s'éteint immédiatement. Il s'allume à nouveau lorsque la porte du four est fermée.

REMARQUE : La porte du four doit être fermée pour la cuisson au gril par convection.



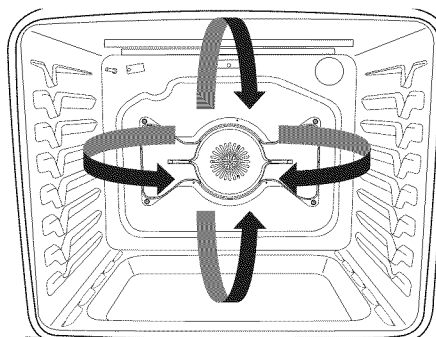
Avant de lancer une cuisson par convection, positionner les grilles tel qu'indiqué à la section "Positionnement des grilles et des ustensiles de cuisson au four".

La cuisson à convection permet de cuire la majorité des aliments à une température plus basse ou moins longtemps. Ces réglages peuvent être effectués à l'aide du tableau suivant ou en utilisant la caractéristique de conversion EasyConvect™ de la cuisinière.

RÉGLAGE	INSTRUCTIONS
CONVECT BAKE (cuisson au four par convection)	Réduire la température de cuisson au four standard de 25°F (15°C).
CONVECT ROAST (rôtissage par convection)	Utiliser une température de recette standard. La durée de cuisson peut être réduite de 15 à 30 % avec la fonction de rôtissage par convection; il faut donc contrôler le degré de cuisson des aliments tôt au cours de la cuisson.

RÉGLAGE	INSTRUCTIONS
CONVECT BROIL (cuisson au gril par convection)	Utiliser une température de recette standard. La durée de cuisson peut être réduite; il faut donc contrôler le degré de cuisson des aliments tôt au cours de la cuisson.

Convection véritable cordon bleu avec élément T.H.E.™ (sur certains modèles)



La convection véritable active un élément électrique autour du ventilateur de convection pour améliorer la performance de cuisson. Cette caractéristique permet de cuire les aliments au four sur trois grilles. Utiliser le tableau des options de convection suivant comme guide.

Options de cuisson par convection

RÉGLAGE	ALIMENTS
CONVECT BAKE (cuisson au four par convection)	Cuisson au four sur une ou plusieurs grilles pour les biscuits, pains, mets en sauce, tartes et tourtes.
CONVECT BROIL (cuisson au gril par convection)	Des morceaux plus épais ou inégaux de viande, de poisson ou de volaille.
CONVECT ROAST (rôtissage par convection)	Poulets ou dindes entiers, légumes, rôtis de porc, rôtis de bœuf.

Conversion EasyConvect™

Les températures et durées de cuisson par convection peuvent différer de celles d'une cuisson standard. Selon la catégorie sélectionnée, la conversion EasyConvect™ réduit automatiquement la température et/ou durée de cuisson des recettes standard pour la cuisson par convection.

Les aliments sont regroupés en 4 grandes catégories. Choisir la catégorie qui correspond le mieux à l'aliment qui doit être cuit. Utiliser le tableau suivant comme guide.

RÉGLAGE	ALIMENTS
MEATS (viandes)	Poulet : entier et en morceaux Pain de viande, rôtis : porc, bœuf et jambon (Les dindes et les grosses volailles ne sont pas mentionnées car leur durée de cuisson est variable.)
BAKED GOODS (aliments cuits)	Biscuits, pains : à cuisson rapide, à levure Gâteaux et biscuits Mets en sauce
PIZZA	Pizza fraîche, pizza surgelée

RÉGLAGE	ALIMENTS
OTHER (autres)	Plats cuisinés surgelés : frites, pépites, bâtonnets de poisson, lasagnes

Utilisation :

REMARQUE : Pour de meilleurs résultats, préchauffer le four à la température requise avant d'utiliser la conversion EasyConvect™. Une fois le préchauffage terminé, appuyer sur la touche OFF (arrêt) avant d'utiliser la conversion EasyConvect™.

1. Appuyer sur EASY CONVECT (convection facile) jusqu'à ce que l'option souhaitée apparaisse (MEATS [viandes], BAKED GOODS [aliments cuits], PIZZA ou OTHER [autre]).

2. Appuyer sur les touches numériques pour entrer la température de cuisson standard puis appuyer sur START.
3. Appuyer sur les touches numériques pour entrer la température de cuisson standard puis appuyer sur START.
4. Placer les aliments dans le four.
Contrôler le degré de cuisson des aliments avant que l'heure de fin de cuisson ne soit atteinte. Si les aliments ne sont pas cuits une fois la durée de cuisson écoulée, prolonger la cuisson avant que la cuisson ne soit terminée (voir la section "Durée de cuisson"). Une fois la durée écoulée, le four s'éteint automatiquement.
5. Appuyer sur OFF (arrêt) après avoir terminé.
6. Retirer les aliments du four.

Levée du pain

La levée du pain prépare la pâte pour la cuisson en activant la levure. Suivre les instructions de la recette comme guide. La levée standard doit être utilisée pour les pâtes fraîches, les pâtes surgelées et pour la première et la deuxième levée. La levée rapide (sur certains modèles) s'effectue à une température légèrement plus élevée que la température de levée standard, et peut être utilisée pour la deuxième levée des pâtes moulées.

Pour faire lever la pâte :

Avant la première levée de pain, placer la pâte dans un saladier légèrement graissé et couvrir sans serrer avec du papier ciré recouvert de shortening. Placer sur la glissière de grille 2 et fermer la porte du four.

REMARQUE : Si la température du four est supérieure à 100°F (38°C), "oven cooling" (refroidissement du four) s'affiche jusqu'à ce que la température soit inférieure à 100°F (38°C).

1. Appuyer sur BREAD PROOF (levée pain) jusqu'à ce que le type de levée souhaité s'affiche ("Standard" ou "Rapid").
2. Appuyer sur START (mise en marche).
Laisser la pâte lever jusqu'à ce qu'elle ait presque doublé de volume. La durée de levée du pain peut varier en fonction du type de pâte et de la quantité.
3. Appuyer sur OFF (arrêt) après avoir terminé la levée.

Avant la seconde levée, mettre la pâte en forme, la placer sur la ou les plaques de cuisson et couvrir partiellement. Reprendre le même positionnement et vérifier que les étapes ci-dessus ont bien été suivies. Avant la cuisson au four, retirer la pellicule protectrice.

REMARQUE : Si la température du four est supérieure à 100°F (38°C), l'affichage indique "oven cooling" (refroidissement du four) jusqu'à ce que la température soit inférieure à 100°F (38°C).

Durée de cuisson

AVERTISSEMENT

Risque d'empoisonnement alimentaire

Ne pas laisser des aliments reposer plus d'une heure avant ou après la cuisson.

Le non-respect de cette instruction peut causer un empoisonnement alimentaire ou une maladie.

Réglage d'une cuisson minutée :

1. Appuyer sur BAKE (cuisson au four), CONVECT BAKE (cuisson au four par convection) ou CONVECT ROAST (rôtissage par convection).
2. Appuyer sur les touches numériques pour entrer une température autre que celle qui est affichée.
3. Appuyer sur COOK TIME (durée de cuisson). Le témoin lumineux de la durée de cuisson du four s'allume.
4. Appuyer sur les touches numériques pour entrer la durée de cuisson.
5. Appuyer sur START (mise en marche). L'affichage présente le compte à rebours de la durée. Lorsque la durée est écoulée, le four s'éteint automatiquement.
La température et/ou la durée peut/peuvent être ajusté(es) en tout temps en répétant les étapes 2 et 3.
6. Appuyer sur OFF (arrêt) pour effacer l'affichage.

REMARQUE : Le réglage de durée de cuisson pour une fonction de cuisson minutée, y compris la fonction de conversion EasyConvect™, peut être ajusté en suivant les étapes précédentes de 3 à 5.

Réglage d'une cuisson minutée différée :

1. Appuyer sur BAKE (cuisson au four), CONVECT BAKE (cuisson au four par convection) ou CONVECT ROAST (rôtissage par convection).
2. Appuyer sur les touches numériques pour entrer une température autre que celle qui est affichée.
3. Appuyer sur COOK TIME (durée de cuisson). Le témoin lumineux de la durée de cuisson du four s'allume.
4. Appuyer sur les touches numériques pour entrer la durée de cuisson.
5. Appuyer sur DELAY START (mise en marche différée). Le témoin lumineux de l'heure de mise en marche/mise en marche différée du four s'allume.
6. Appuyer sur les touches numériques pour entrer le nombre d'heures et/ou de minutes dont on souhaite différer l'heure de mise en marche.
7. Appuyer sur START (mise en marche).

Lorsque l'heure de mise en marche est atteinte, le four s'allume automatiquement. Les réglages de température et/ou de durée peuvent être modifiés en tout temps après avoir appuyé sur Start (mise en marche) en répétant les étapes 2 à 7. Lorsqu'on réinitialise la durée et la température, on doit appuyer sur Start (mise en marche) à mi-chemin entre les étapes 4 et 5 pour pouvoir continuer à effectuer des changements.

Lorsque la durée de cuisson réglée s'achève, le four s'éteint automatiquement.

8. Appuyer sur OFF (arrêt) pour effacer l'affichage.

ENTRETIEN DE LA CUISINIÈRE

Programme de nettoyage

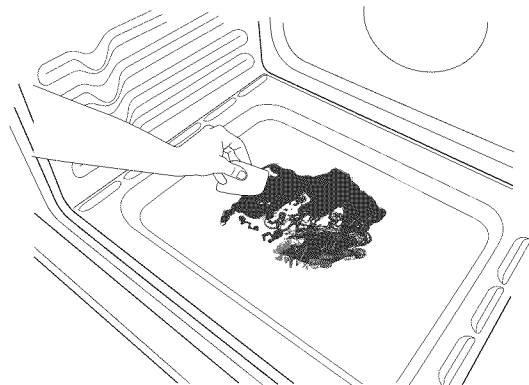


La technologie AquaLift™ est une solution de nettoyage novatrice qui utilise la chaleur et l'eau pour débarrasser le four des produits renversés cuits en moins d'une heure. Cette nouvelle technologie de nettoyage est une alternative à basse température et sans odeurs aux options traditionnelles de nettoyage automatique.

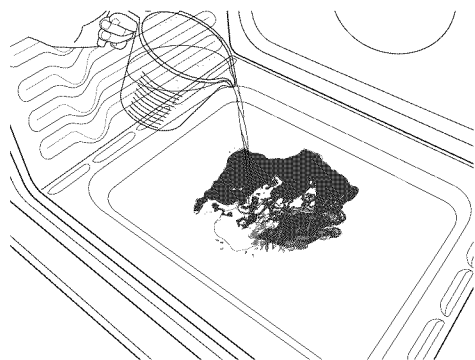
Laisser le four refroidir et atteindre la température ambiante avant d'utiliser le programme de nettoyage. Si la température de la cavité du four est supérieure à 200°F (93°C), "OVEN COOLING" (refroidissement du four) apparaît sur l'afficheur et le programme de nettoyage ne s'activera pas avant que la cavité ait refroidi.

Nettoyage :

1. Retirer toutes les grilles et tous les accessoires de la cavité du four et essuyer l'excès de saleté. Utiliser une spatule en plastique pour enlever les saletés faciles à enlever.



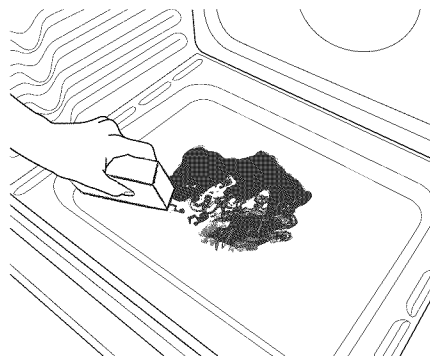
2. Verser 2 tasses (16 oz [500 mL]) d'eau distillée ou filtrée dans le fond du four vide et fermer la porte du four.



IMPORTANT : Ne pas utiliser des produits chimiques ou d'autres additifs avec l'eau. Ne pas ouvrir la porte du four au cours du programme de lavage. L'eau au fond du four est chaude.

3. Appuyer sur CLEAN (nettoyage) et ensuite sur START (mise en marche) sur le tableau de commande du four.
4. Accorder 40 minutes pour le nettoyage et le refroidissement. Un signal sonore vous avertit lorsque le programme de nettoyage est terminé.
5. Appuyer sur OFF (arrêt) à la fin du programme. On peut appuyer sur OFF à tout moment pour arrêter le programme de nettoyage.

6. Enlever l'eau résiduelle et les saletés délogées avec une éponge ou un chiffon immédiatement après la fin du programme de nettoyage. La plupart de l'eau initiale contenue dans 2 tasses (16 oz [500 mL]) restera dans le four après la fin du programme de nettoyage. S'il reste encore des saletés, laisser une petite quantité d'eau dans le fond du four pour faciliter le nettoyage.



7. S'il reste des saletés, les enlever avec une éponge à gratter douce ou une spatule en plastique. Des programmes de nettoyage supplémentaires peuvent être lancés pour aider à se débarrasser des saletés tenaces.

IMPORTANT : Ne pas utiliser de nettoyeurs à four. L'utilisation de produits chimiques, y compris les nettoyeurs à four qu'on trouve sur le marché, ou des spatules métalliques, pourrait causer des dommages permanents à la surface en porcelaine qui se trouve à l'intérieur du four.

REMARQUES :

- La cuisinière doit être alignée de façon à s'assurer que la surface du fond de la cavité du four est couverte par l'eau au début du programme de nettoyage.
- Pour des résultats optimaux, utiliser de l'eau distillée ou filtrée. L'eau du robinet pourrait laisser des dépôts minéraux sur le fond du four.
- Avant d'enlever l'eau résiduelle et les saletés délogées à la fin du programme de nettoyage, insérer un chiffon ou un essuie-tout entre l'extrémité inférieure de la porte du four et l'avant du châssis, afin d'empêcher l'eau de se déverser sur le devant de la cuisinière et le plancher.
- Les saletés cuites à travers plusieurs programmes de cuisson seront plus difficiles à enlever avec le programme de nettoyage.
- Les éponges à gratter non abrasives ou les tampons nettoyeurs en gomme (sans nettoyeurs) peuvent être efficaces pour le nettoyage des parois de la cavité du four, de la porte du four et du fond du four pour les saletés difficiles. Pour de meilleurs résultats, mouiller les tampons et les éponges avant de les utiliser.
- Exécuter un programme de nettoyage supplémentaire pour les saletés tenaces.
- Le nettoyant pour cuisine et appareils ménagers affresh® et le nettoyant pour table de cuisson affresh® peuvent être utilisés pour nettoyer le fond du four, ses parois et sa porte lorsque le four a terminé le programme de nettoyage et que sa température est redevenue ambiante. Si on utilise le nettoyant pour table de cuisson affresh®, il est aussi recommandé d'essuyer le four avec de l'eau distillée. Consulter la section "Accessoires" pour obtenir des renseignements sur la commande.
- Des ensembles de nettoyage technologique AquaLift™ supplémentaires peuvent être obtenus en commandant la pièce numéro W10423113RP. Voir la section "Accessoires" pour plus d'informations.
- Pour obtenir de l'aide concernant la technologie AquaLift™, appeler le 1-877-258-0808 ou visiter notre site Web <http://whr.pl/aqualift>.

Nettoyage général

IMPORTANT : Avant le nettoyage, s'assurer que toutes les commandes sont éteintes et que le four et la table de cuisson sont froids. Toujours suivre les instructions figurant sur les étiquettes des produits de nettoyage. Pour des informations complémentaires, vous pouvez consulter la section Service à la clientèle de notre site Web sur www.kitchenaid.ca.

Du savon, de l'eau et un chiffon doux ou une éponge sont recommandés sauf indication contraire.

SURFACES EXTERNES EN ÉMAIL VITRIFIÉ (sur certains modèles)

Les renversements d'aliments contenant des produits acides, tels que vinaigre et tomates, doivent être nettoyés dès que la cuisinière a refroidi. Ces renversements peuvent affecter le fini.

Méthode de nettoyage :

- Nettoyant à vitre, nettoyant doux liquide ou tampon à récurer non abrasif :
Nettoyer doucement autour de la plaque signalétique car le frottement pourrait en effacer les chiffres.
- Nettoyant pour cuisine et appareils électroménagers affresh® - Pièce numéro W10355010 (non inclus) :
Voir la section "Accessoires" pour plus de renseignements.

ACIER INOXYDABLE (sur certains modèles)

REMARQUE : Afin d'éviter d'endommager les surfaces en acier inoxydable, ne pas utiliser de tampons à récurer savonneux, de nettoyeurs abrasifs, de nettoyeurs pour table de cuisson, de tampons en laine d'acier, de chiffons de lavage rudes ou essuie-tout abrasifs. Les surfaces en acier inoxydables pourraient subir des dommages, même pour une seule utilisation ou en cas d'utilisation limitée.

Méthode de nettoyage :

Frotter dans la direction du grain pour éviter les dommages.

- Nettoyant pour acier inoxydable affresh® - Pièce n° W10355016 (non inclus) :
Voir la section "Accessoires" pour plus de renseignements.

Détergent liquide ou nettoyant tout-usage :

Rincer à l'eau propre et sécher avec un chiffon doux sans charpie.

PEINTURE MÉTALLIQUE (sur certains modèles)

Ne pas utiliser de nettoyeurs abrasifs, de nettoyeurs avec agent de blanchiment, de produits anti-rouille, d'ammoniaque ou d'hydroxyde de sodium (soude) car la surface peinte pourrait se tacher.

VITROCÉRAMIQUE (sur certains modèles)

Méthode de nettoyage :

Utiliser le nettoyant pour table de cuisson affresh® pièce numéro W10355051 et le grattoir pour table de cuisson pièce numéro WA906B pour nettoyer et éliminer les taches de la table de cuisson. Utiliser régulièrement le protecteur de table de cuisson pièce numéro 31463B afin d'éviter toute accumulation de taches, égratignures, piqûres et éraflures dans le but d'entretenir la table de cuisson et ainsi faciliter les nettoyages ultérieurs. Ces articles peuvent être commandés comme accessoires. Voir la section "Accessoires" pour plus de renseignements. Le grattoir pour table de cuisson utilise des lames de rasoir. Ranger les lames de rasoir dans un endroit hors de portée des enfants.

Ne pas utiliser de laine d'acier, de nettoyeurs abrasifs, d'agent de blanchiment au chlore, de produit anti-rouille ou d'ammoniaque car ces produits peuvent endommager la surface.

Souillure légère à modérée

- Nettoyer avec des essuie-tout ou une éponge propre et humide. Pour nettoyer de petites taches, on doit utiliser le nettoyant et le tampon à récurer.

Renversements de matières sucrées (gelées, confiseries, sirop)

- Nettoyer avec le grattoir pour table de cuisson et le nettoyant pour table de cuisson. Gratter les renversements de matières sucrées lorsque la table de cuisson est encore chaude. Il est suggéré de porter des mitaines de four pour nettoyer la table de cuisson.

Souillure épaisse, rayures foncées, piqûres et décoloration

- Nettoyer à l'aide du nettoyant pour table de cuisson ou d'un nettoyant non abrasif et du tampon à récurer.

Aliments brûlés ayant attaché

- Nettoyer à l'aide du tampon à récurer, du nettoyant et du grattoir pour table de cuisson.

Marques métalliques provenant de l'aluminium et du cuivre

- Nettoyer à l'aide du nettoyant pour table de cuisson et du tampon à récurer dès que la table de cuisson a refroidi. Les marques ne disparaîtront pas totalement, mais après plusieurs nettoyages, elles deviendront moins apparentes.

Petites éraflures et abrasions

- Utiliser le nettoyant pour table de cuisson et du tampon à récurer pour les éraflures. Les éraflures et les abrasions n'affectent pas la performance de cuisson et après plusieurs nettoyages, elles deviendront moins apparentes.

COMMANDES DE LA TABLE DE CUISSON

Afin d'éviter d'endommager les commandes de la table de cuisson, ne pas utiliser de laine d'acier, de nettoyeurs abrasifs ou de nettoyant pour four.

Afin d'éviter tout dommage, ne pas immerger les boutons de commande.

Lors de la réinstallation des boutons, s'assurer que chaque bouton est à la position OFF (arrêt).

Sur certains modèles, ne pas enlever les joints sous les boutons.

Méthode de nettoyage :

- Savon et eau :
Tirer les boutons directement hors du tableau de commande pour les enlever.

TABLEAU DE COMMANDE ET EXTÉRIEUR DE LA PORTE DU FOUR

Afin d'éviter d'endommager le tableau de commande, ne pas utiliser de nettoyeurs abrasifs, de tampons en laine d'acier, de chiffons de lavage rugueux ou d'essuie-tout abrasifs.

Méthode de nettoyage :

- Nettoyant à vitre et chiffon doux ou éponge :
Appliquer le nettoyant à vitre sur un chiffon doux ou une éponge, et non pas directement sur le tableau.
- Nettoyant pour cuisine et appareils électroménagers affresh® - Pièce numéro W10355010 (non inclus) :
Voir la section "Accessoires" pour plus de renseignements.

GRILLES DU FOUR

Méthode de nettoyage :

- Tampon en laine d'acier
- Si les grilles sont ternies et glissent difficilement, appliquer une légère couche d'huile végétale sur les glissières pour faciliter le glissement des grilles.

TIROIR DE REMISAGE OU TIROIR-RÉCHAUD (sur certains modèles)

Vérifier que le tiroir de remisage ou le tiroir-réchaud est vide et froid avant de procéder au nettoyage.

Méthode de nettoyage :

- Détergent doux

CAVITÉ DU FOUR

Utiliser régulièrement la technologie AquaLift™ pour nettoyer les renversements dans le four.

Ne pas utiliser de nettoyeurs à four.

Les renversements alimentaires doivent être nettoyés lorsque le four a refroidi. À des températures élevées, les aliments réagissent avec la porcelaine et cette réaction peut entraîner la formation de taches, d'un film de silice, de piqûres ou de légères taches blanches.

Méthode de nettoyage :

- Programme de nettoyage : Voir d'abord "Programme de nettoyage".

Lampe du four

La lampe du four est une ampoule standard de 40 watts pour appareil électroménager. Avant le remplacement, s'assurer que le four et la table de cuisson sont froids et que les boutons de commande sont à la position d'arrêt.

Remplacement :

1. Débrancher la cuisinière ou déconnecter la source de courant électrique.

2. Tourner le couvercle en verre de l'ampoule à l'arrière du four dans le sens antihoraire et l'enlever.
3. Tourner l'ampoule dans le sens antihoraire pour l'enlever de la douille.
4. Remplacer l'ampoule et replacer le couvercle de l'ampoule en le tournant dans le sens horaire.
5. Brancher la cuisinière ou reconnecter la source de courant électrique.

Prises pour appareils électroménagers (sur certains modèles)

La prise de 120 V pour appareils électroménagers située sur la console de commande peut être utilisée pour des appareils électroménagers portatifs placés sur le comptoir à côté de la cuisinière.

La prise fonctionne indépendamment et n'est pas affectée par les réglages des commandes de la cuisinière.

REMARQUE : Ne pas placer d'appareils électroménagers portatifs sur la table de cuisson. L'appareil électroménager portatif risque d'être endommagé si la table de cuisson est chaude.

Disjoncteur de prise pour appareil électroménager :

Le disjoncteur de prise pour appareil électroménager de votre cuisinière est situé à côté de la prise. Son intensité nominale est de 12 ampères.

Si le disjoncteur s'ouvre, il peut être réenclenché en appuyant sur le commutateur. Il est possible que quelques minutes s'écoulent avant que le disjoncteur ne soit refroidi et puisse se réenclencher.

DÉPANNAGE

Essayer d'abord les solutions suggérées ici ou consulter notre site Web et la section service à la clientèle pour tenter d'éviter le coût d'une visite de service.

www.kitchenaid.ca

Fonctionnement

PROBLÈME	CAUSES POSSIBLES	SOLUTIONS
Rien ne fonctionne	Le cordon d'alimentation électrique est débranché.	Brancher sur une prise reliée à la terre.
	Un fusible domestique est grillé ou le disjoncteur est ouvert.	Remplacer le fusible ou réenclencher le disjoncteur. Si le problème persiste, appeler un électricien.
	La cuisinière est en mode Sabbath.	Voir la section "Mode Sabbath".
La table de cuisson ne fonctionne pas	Le bouton de commande est mal réglé.	Enfoncer le bouton avant de le tourner à un réglage.
	La cuisinière est en mode de démonstration.	Le mode de démonstration va désactiver l'élément de la zone de maintien au chaud. Voir "Mode de démonstration" dans la section "Commandes électroniques du four".
Chaleur excessive autour des ustensiles de cuisson sur la table de cuisson	Ustensiles de cuisson n'ayant pas la bonne taille	Utiliser un ustensile de cuisson à peu près de la même dimension que la surface de cuisson, l'élément ou le brûleur de surface. L'ustensile de cuisson ne doit pas dépasser de plus de 1/2" (1,3 cm) hors de la zone de cuisson.
Les résultats de cuisson ne sont pas les résultats prévus	Le bouton de commande est réglé sur un niveau de chaleur incorrect.	Voir la section "Utilisation de la table de cuisson".
	La cuisinière n'est pas d'aplomb.	Régler l'aplomb de la cuisinière. Voir les instructions d'installation.

PROBLEME	CAUSES POSSIBLES	SOLUTIONS
Le four ne fonctionne pas	La commande électronique du four est mal réglée.	Voir la section "Commandes électroniques du four".
	Delay Start (mise en marche différée) est réglée.	Voir la section "Cuisson minutée".
	Le verrouillage des commandes du four est réglé.	Voir la caractéristique de la touche de verrouillage des commandes à la section "Guide des caractéristiques".
	La cuisinière est en mode de démonstration.	Le mode démonstration désactivera tous les éléments chauffants. Voir "Mode de démonstration" dans la section "Commandes électroniques du four".
"FEATURE NOT AVAILABLE" (caractéristique non disponible) s'affiche si l'on essaie d'utiliser la fonction de verrouillage des commandes.	Une fonction du four ou de la table de cuisson est active (y compris les caractéristiques de minuterie ou de cuisson minutée, le four est chaud ou un témoin de surface de table de cuisson chaude est allumé.	Vérifier que toutes les fonctions du four et de la table de cuisson sont désactivées, et que le four et la table de cuisson sont froids. Si cela ne fonctionne pas, contacter un réparateur. Voir la page de couverture pour savoir qui contacter.
Le ventilateur de convection ne fonctionne pas	La porte est ouverte.	Fermer la porte du four. Voir la section "Cuisson par convection".
La température du four est trop élevée ou trop basse	Il faut ajuster le calibrage de la température du four.	Voir "Commande de température du four" dans la section "Commandes électroniques du four".
	La température a été changée en Fahrenheit ou Celsius.	Voir "Fahrenheit et Celsius" dans la section "Commandes électroniques du four".
Les témoins lumineux du four clignotent	Maintenance nécessaire (les témoins lumineux du four clignotent)	Voir "Affichage de commande" dans la section "Commandes électroniques du four". Si le(s) témoin(s) lumineux clignote(nt) toujours, faire un appel de service. Voir la page de couverture pour des renseignements de contact.
Des messages s'affichent	Panne de courant (l'afficheur indique une heure clignotante)	Effacer l'affichage. Sur certains modèles, régler de nouveau l'horloge au besoin. Voir la caractéristique de touche "Horloge" à la section "Guide des caractéristiques".
	Code d'erreur (l'afficheur indique une lettre suivie d'un numéro)	Appuyer sur la touche OFF (arrêt) pour effacer l'affichage. Voir "Affichage de commande" dans la section "Commandes électroniques du four". S'il réapparaît, faire un appel de service. Voir la page de couverture pour des renseignements de contact.
Il y a des dépôts minéraux au fond du four après le programme de nettoyage	L'eau du robinet a été utilisée durant le programme de nettoyage.	Utiliser de l'eau distillée ou filtrée pour le programme de nettoyage. Utiliser un chiffon imbibé de vinaigre pour enlever les dépôts. Utiliser ensuite un chiffon humidifié pour complètement enlever tout résidu de vinaigre.
	La cuisinière n'est pas d'aplomb.	Les dépôts minéraux s'accumulent sur les surfaces sèches du fond du four durant le programme de nettoyage. Régler l'aplomb de la cuisinière. Voir les instructions d'installation. Utiliser un chiffon imbibé de vinaigre pour enlever les dépôts. Utiliser ensuite un chiffon humidifié pour complètement enlever tout résidu de vinaigre.

PROBLEME	CAUSES POSSIBLES	SOLUTIONS
Les résultats de cuisson au four ne sont pas les résultats prévus	La cuisinière n'est pas d'aplomb.	Régler l'aplomb de la cuisinière. Voir les instructions d'installation.
	Le réglage de température était incorrect.	Vérifier la recette dans un livre de recettes fiable.
	La température du four est mal calibrée.	Voir "Commande de température du four" dans la section "Commandes électroniques du four".
	Le four n'a pas été préchauffé.	Voir la section "Cuisson au four et rôtissage".
	Les grilles ont été positionnées de façon inappropriée.	Voir la section "Positionnement des grilles et ustensiles de cuisson au four".
	La circulation d'air est insuffisante autour des ustensiles de cuisson.	Voir la section "Positionnement des grilles et ustensiles de cuisson au four".
	Le mélange est distribué de façon inégale dans la casserole	Vérifier que la pâte est répartie uniformément dans le plat.
	Brunissage plus foncé des aliments à cause d'ustensiles de cuisson plus ternes ou plus foncés.	Diminuer la température du four de 25°F (15°C), ou déplacer la grille plus haut dans le four.
	Brunissage moins prononcé des aliments à cause d'ustensiles de cuisson brillants ou plus clairs	Déplacer la grille à une position moins élevée dans le four.
	Une durée de cuisson incorrecte a été utilisée.	Ajuster la durée de cuisson.
	La porte du four n'a pas été fermée.	Vérifier que les ustensiles de cuisson n'empêchent pas la porte de se fermer.
	La porte du four a été ouverte durant la cuisson.	L'ouverture de la porte pour vérifier la cuisson laisse la chaleur du four s'échapper et peut nécessiter des durées de cuisson plus longues.
	La grille est trop proche du brûleur de cuisson, ce qui fait que les éléments cuits au four sont trop bruns à la base.	Déplacer la grille à une position plus élevée dans le four.
Les croûtes de tarte brunissent trop tôt.	Utiliser du papier d'aluminium pour couvrir le bord de la croûte et/ou réduire la température de cuisson du four.	
L'échelle de température a été changée de Fahrenheit à Celsius.	Les aliments sont trop cuits ou brûlés même aux basses températures. Voir "Fahrenheit et Celsius" dans la section "Commandes électroniques du four".	

ACCESSOIRES

Pour les accessoires, consulter notre site Web www.kitchenaid.com/cookingaccessories ou nous contacter au 1-800-807-6777

Ensemble d'entretien de la table de cuisson

(modèles avec vitrocéramique)
(comprend le nettoyeur, le protecteur, le grattoir et les tampons d'application)
Commander la pièce numéro 31605B

Protecteur de table de cuisson

(modèles avec vitrocéramique)
Commander la pièce numéro 31463B

Chiffons pour acier inoxydable affresh®

(modèles en acier inoxydable)
Commander la pièce numéro W10355049

Nettoyeur pour table de cuisson affresh®

(modèles avec vitrocéramique)
Commander la pièce numéro W10355051

Nettoyeur pour acier inoxydable affresh®

(modèles en acier inoxydable)
Commander la pièce numéro W10355016

Nettoyeur pour cuisine et appareils électroménagers affresh®

Commander la pièce numéro W10355010

Ensemble de nettoyage pour four à technologie AquaLift™

Commander la pièce numéro W10423113RP

Grattoir pour table de cuisson

(modèles avec vitrocéramique)
Commander la pièce numéro WA906B

Nettoyeur et poli pour granite

Commander la pièce numéro W10275756

Nettoyeur pour plateau d'égouttement et grille de cuisinière à gaz

Commander la pièce numéro 31617A

Plaque à frire Gourmet

Commander la pièce numéro 4396096RB

Grille de four en deux pièces

Commander la pièce numéro W10205524

Grille à capacité maximale

Commander la pièce numéro W10289145

Lèchefrite et grille en porcelaine

Commander la pièce numéro 4396923

Lèchefrite et grille de rôtissage de qualité supérieure

Commander la pièce numéro W10123240
www.kitchenaid.com/broilerpan

GARANTIE DE LA CUISINIÈRE ÉLECTRIQUE KITCHENAID®

GARANTIE LIMITÉE

Pendant un an à compter de la date d'achat, lorsque ce gros appareil ménager est utilisé et entretenu conformément aux instructions jointes à ou fournies avec le produit, la marque KitchenAid de Whirlpool Corporation ou Whirlpool Canada LP (ci-après désignées "KitchenAid") paiera pour les pièces spécifiées par l'usine et la main-d'œuvre pour corriger les vices de matériaux ou de fabrication. Le service doit être fourni par une compagnie de service désignée par KitchenAid. Cette garantie limitée est valide uniquement aux États-Unis ou au Canada et s'applique exclusivement lorsque l'appareil est utilisé dans le pays où il a été acheté. À l'extérieur du Canada et des 50 États des États-Unis, cette garantie limitée ne s'applique pas. Une preuve de la date d'achat original est exigée pour obtenir un service dans le cadre de la présente garantie limitée.

GARANTIE LIMITÉE DE LA DEUXIÈME À LA CINQUIÈME ANNÉE INCLUSIVEMENT SUR CERTAINS COMPOSANTS

De la deuxième à la cinquième année inclusivement à compter de la date d'achat, lorsque cet appareil ménager est utilisé et entretenu conformément aux instructions jointes à ou fournies avec le produit, KitchenAid paiera pour les pièces spécifiées par l'usine pour les composants suivants, en cas de vices de matériaux ou de fabrication :

- Éléments électriques
- Pièces du système de commande à semi-conducteurs
- Toute fissuration du joint d'étanchéité en caoutchouc entre la table de cuisson en vitrocéramique et le bord en porcelaine
- Toute fissuration de la table de cuisson en vitrocéramique due à un choc thermique
- Éléments de l'unité de surface

ARTICLES EXCLUS DE LA GARANTIE

La présente garantie limitée ne couvre pas :

1. Les visites de service pour rectifier l'installation du gros appareil ménager, montrer à l'utilisateur comment utiliser l'appareil, remplacer ou réparer des fusibles ou rectifier le câblage ou la plomberie du domicile.
2. Les visites de service pour réparer ou remplacer les ampoules électriques de l'appareil, les filtres à air ou les filtres à eau. Les pièces consommables ne sont pas couvertes par la garantie.
3. Les réparations lorsque le gros appareil ménager est utilisé à des fins autres que l'usage unifamilial normal ou lorsque les instructions d'installation et/ou les instructions de l'opérateur ou de l'utilisateur fournies ne sont pas respectées.
4. Les dommages imputables à : accident, modification, usage impropre ou abusif, incendie, inondation, actes de Dieu, installation fautive ou installation non conforme aux codes d'électricité ou de plomberie, ou l'utilisation de pièces consommables ou de produits nettoyants non approuvés par KitchenAid.
5. Les défauts apparents, notamment les éraflures, les bosses, fissures ou tout autre dommage au fini du gros appareil ménager, à moins que ces dommages soient dus à des vices de matériaux ou de fabrication et soient signalés à KitchenAid dans les 30 jours suivant la date d'achat.
6. Les coûts associés au transport du gros appareil ménager du domicile pour réparation. Ce gros appareil ménager est conçu pour être réparé à domicile et seul le service à domicile est couvert par la présente garantie.
7. Les réparations aux pièces ou systèmes résultant d'une modification non autorisée faite à l'appareil.
8. Les frais de transport pour le service d'un produit si votre gros appareil est situé dans une région éloignée où un service d'entretien KitchenAid autorisé n'est pas disponible.
9. La dépose et la réinstallation de votre gros appareil si celui-ci est installé dans un endroit inaccessible ou n'est pas installé conformément aux instructions d'installation fournies.
10. Les gros appareils ménagers dont les numéros de série et de modèle originaux ont été enlevés, modifiés ou qui ne peuvent pas être facilement identifiés. La présente garantie est nulle si le numéro de série d'usine a été modifié ou enlevé du gros appareil ménager.

Le coût d'une réparation ou d'un remplacement dans le cadre de ces circonstances exclues est à la charge du client.

CLAUDE D'EXONÉRATION DE RESPONSABILITÉ AU TITRE DES GARANTIES IMPLICITES; LIMITATION DES RECOURS

LE SEUL ET EXCLUSIF RECOURS DU CLIENT DANS LE CADRE DE LA PRÉSENTE GARANTIE LIMITÉE CONSISTE EN LA RÉPARATION PRÉVUE CI-DESSUS. LES GARANTIES IMPLICITES, Y COMPRIS LES GARANTIES APPLICABLES DE QUALITÉ MARCHANDE ET D'APTITUDE À UN USAGE PARTICULIER, SONT LIMITÉES À UN AN OU À LA PLUS COURTE PÉRIODE AUTORISÉE PAR LA LOI. KITCHENAID N'ASSUME AUCUNE RESPONSABILITÉ POUR LES DOMMAGES FORTUITS OU INDIRECTS. CERTAINES JURIDICTIONS NE PERMETTENT PAS L'EXCLUSION OU LA LIMITATION DES DOMMAGES FORTUITS OU INDIRECTS, OU LES LIMITATIONS DE LA DURÉE DES GARANTIES IMPLICITES DE QUALITÉ MARCHANDE OU D'APTITUDE À UN USAGE PARTICULIER, DE SORTE QUE CES EXCLUSIONS OU LIMITATIONS PEUVENT NE PAS S'APPLIQUER DANS VOTRE CAS. CETTE GARANTIE VOUS CONFÈRE DES DROITS JURIDIQUES SPÉCIFIQUES ET VOUS POUVEZ ÉGALEMENT JOUIR D'AUTRES DROITS QUI PEUVENT VARIER D'UNE JURIDICTION À UNE AUTRE.

Si vous résidez à l'extérieur du Canada et des 50 États des États-Unis, contactez votre marchand KitchenAid autorisé pour déterminer si une autre garantie s'applique.

2/09

Pour des informations supplémentaires sur le produit, visiter www.kitchenaid.ca

Si vous n'avez pas accès à Internet et que vous nécessitez une assistance pendant l'utilisation du produit ou que vous souhaitez prendre un rendez-vous, vous pouvez contacter KitchenAid au numéro ci-dessous.

Préparez votre numéro de modèle au complet. Vous trouverez les numéros de modèle et de série sur l'étiquette située sur le châssis du four, derrière la partie supérieure droite de la porte du four.

Pour assistance ou service au Canada, composez le 1-800-807-6777.

Si vous avez besoin de plus d'assistance, vous pouvez écrire à KitchenAid en soumettant toute question ou problème à l'adresse suivante :

Centre pour l'eXpérience de la clientèle
KitchenAid Canada
200 - 6750 Century Ave.
Mississauga, Ontario L5N 0B7

Dans votre correspondance, veuillez indiquer un numéro de téléphone où l'on peut vous joindre dans la journée.

Veuillez conserver le manuel de l'utilisateur et le numéro de modèle pour référence ultérieure.

