



## Compact Refrigerator

Model 94443

4.4 cu. ft. Capacity

### Read This Manual!

It will tell you how to operate and care for your refrigerator. It also offers tips on how to get the best and lowest cost performance.

If you prefer installing your own parts, use the attached parts list to find the correct part number. Do not use the illustration number. In the space provided below record the model and serial number of your refrigerator. This can be found on the rear of the refrigerator printed on the model number plate.

This information will be required when calling for parts or service.

Model No. \_\_\_\_\_ Serial No. \_\_\_\_\_

### Full One Year Warranty on Refrigerator

For one year from the date of purchase, when this refrigerator is operated and maintained in accordance with the provided owner's manual, Sears will repair it, free of charge, if found defective in material or workmanship.

### Full Five Year Warranty on Sealed Refrigeration System

For five years from the date of purchase, when this refrigerator is operated and maintained in accordance with the provided owner's manual, Sears will repair the sealed system (consisting of refrigerant, connecting tubing and compressor motor), free of charge, if found defective in material or workmanship.

The above warranty coverage applies only to a refrigerator which is used for food storage and private household purposes.

**Warranty service is available by contacting the nearest Sears Service Center throughout the United States.**

This warranty applies only while this product is operated in the United States. This warranty gives you specific rights and you may also have other rights which vary from state to state.

SEARS, ROEBUCK AND CO.,  
D/817WA, HOFFMAN ESTATES, IL 60179

### Installation

Remove all packing material and tape from the unit. Inspect the unit thoroughly. Notify Sears immediately if the unit has any damaged or missing parts.

Install the unit on a strong level, floor or counter. Avoid any direct sunlight, heat source or moisture.

Let air circulate freely around the refrigerator. Keep the back of the unit at least 4 inches away from the wall. Provide at least 1 inch of space between the top of the unit and any surface above it.



**CAUTION:** If you turn off the cold control, allow at least three minutes before restarting to avoid blowing fuses or tripping your circuit breaker.

### Electrical

120 Volts, 60 Hz (60 cycles AC), 15 amps.

### Electrical Grounding

Your refrigerator comes with a three-prong plug and must be inserted into a three-prong, grounded wall outlet. Do not use an extension cord.



**WARNING:** Unless the above grounding methods is followed, you are not protected against severe or lethal shock in the event of a short circuit in refrigerator wiring or electrical components.

### Things to Remember

1. When resetting your refrigerator to a new temperature, allow 24 hours for it to reach the new setting.
2. The motor will start and stop often. It must do so in order to maintain the selected temperature.
3. Keep your refrigerator level.
4. Always unplug the refrigerator before cleaning or servicing.

**NOTE:** Please remove the protective film on the door and cabinet before usage.

---

**Sears, Roebuck and Co., Hoffman Estates, IL 60179 U.S.A.**

---

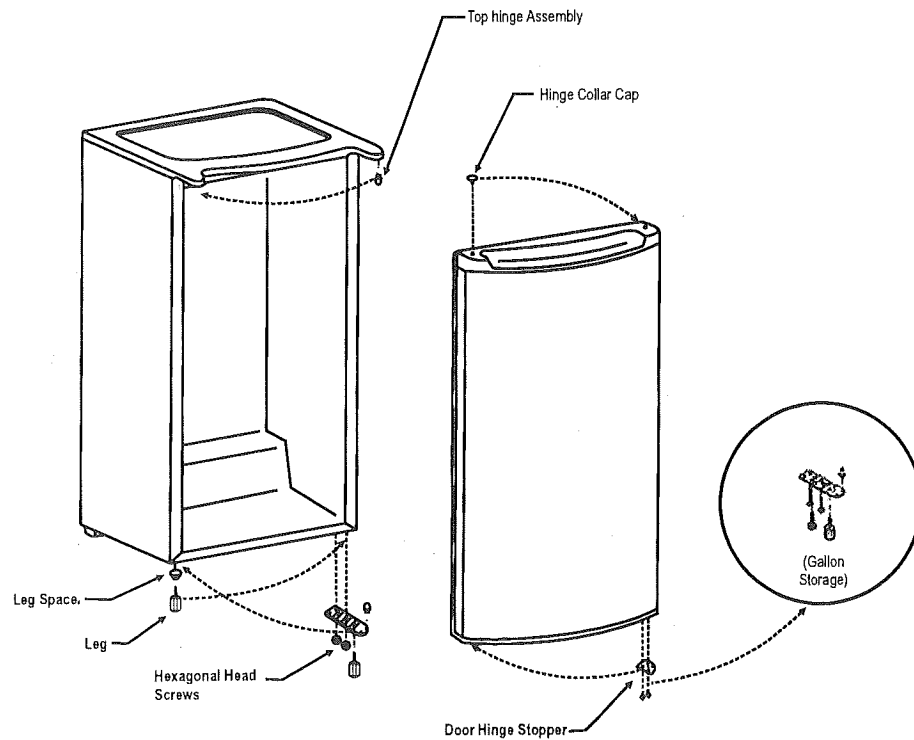
Part No. 303035  
(SR4433SSDL)

Part No. 8336460148900  
Sears, Roebuck and Co., U.S.A.

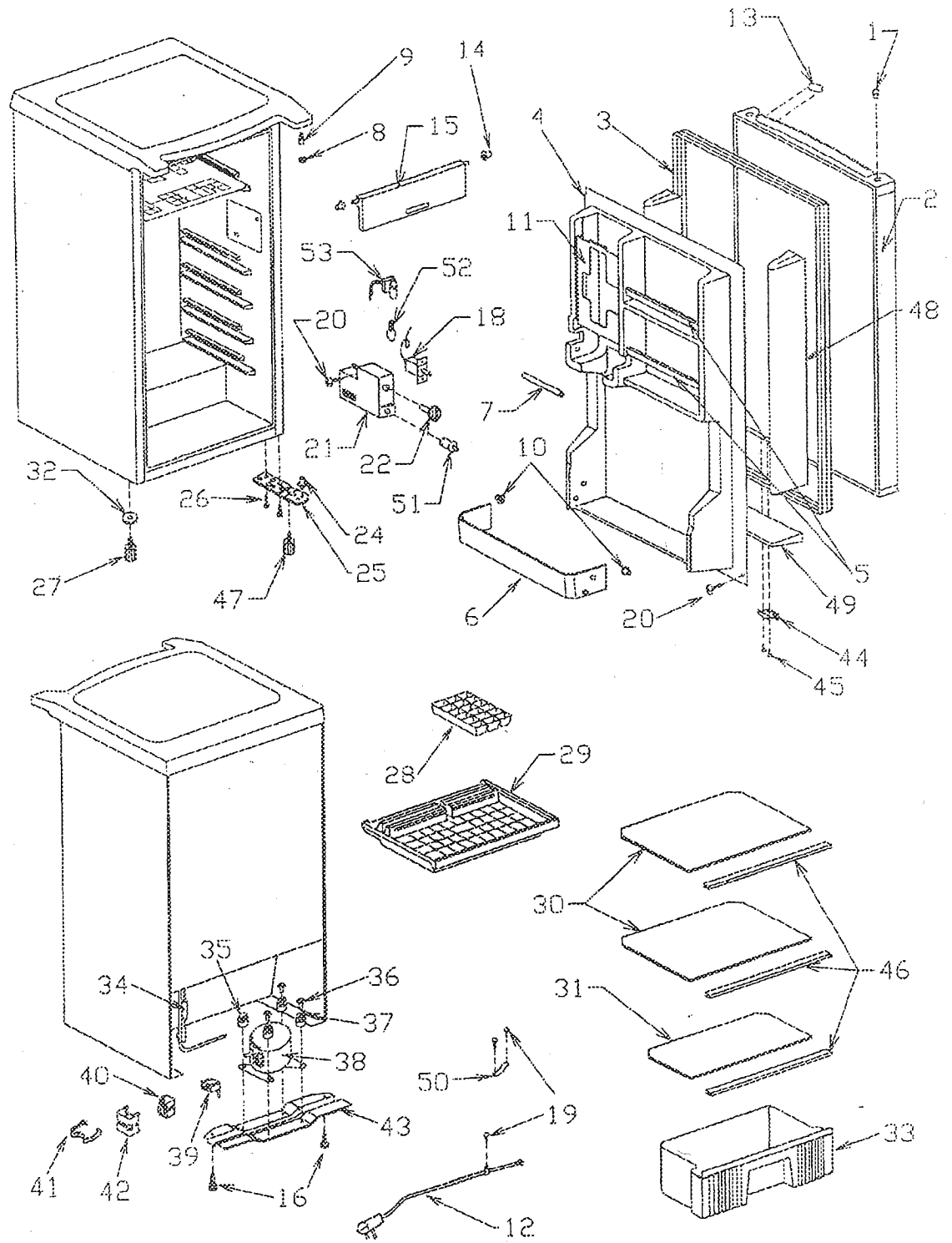
# HOW TO TRANSFER THE DOOR HINGE LOCATION OF A REVERSIBLE DOOR

For your convenience, this door can be reversed by changing the position of the door hinge assembly.

1. Gently lay the refrigerator on its back.
2. Unscrew the leg at opening side and set aside. *\*There may be a screw next to the leg; if so unscrew it. Otherwise unable to attach the hinge.*
3. Unscrew two screws (some models have 3 screws) at the bottom hinge, remove the leg, a hinge and a shaft.
4. Unscrew two screws at the bottom of the door and remove the door stopper, then transfer them to the other side.
5. Pull the door toward you, and set it at the side. (We recommended putting the door on a blanket to avoid scratches.)
6. Remove the shaft carefully from the top table as using the screwdriver and relocate it to the other side.
7. Remove the hinge collar cap from the door cap, and then relocate it to the other side.
8. Reattach the door to the refrigerator cabinet toward the shaft at the top table and the bottom of the door hole has to meet with the shaft at the bottom hinge.
9. Reattach the hinge with two screws (some models have 3 screws), the leg and also the shaft with the hinge.
10. Now your door has been reversed. The following points should be checked.
  - A. Make sure the door is on straight.
  - B. Make sure that there is no space between the door gasket and the refrigerator unit itself when the door is closed.
  - C. Make sure that the gasket on the hinge side is not caught between the door and the unit when the door is opened or closed. (If the door is forced closed when the gasket is caught, the gasket may be damaged.)When checking the above points, if it is discovered that the door is not installed properly (this is apt to happen at the first try), loosen the screws holding the lower hinge, straighten the door and tighten the screws slowly with the socket wrench. After making sure that the door is installed correctly, tighten all the screws holding the hinge. If they are not tightened, the door may slip out of position or there may be an opening between the door and the unit.
11. Stand the unit back in the upright position.  
Wait 3 hours before plug in the power cord.



(STAINLESS LOOK) Model: 564.94443500



# Get fixed, at your home or ours!

## Your Home

For repair-in your home-of all major brand appliances, lawn and garden equipment, or heating and cooling system, **no matter who made it, no matter who sold it!**

For the replacement parts, accessories and owner's manuals that you need to do-it-yourself.

For Sears professional installation of home appliances and items like garage door openers and water heaters.

**1-800-4-MY-HOME®** (1-800-469-4663)

Call anytime, day or night (U.S.A. and Canada)

[www.sears.com](http://www.sears.com) [www.sears.ca](http://www.sears.ca)

---

## Our Home

For repair of carry-in items like vacuums, lawn equipment, and electronics, call or go on-line for the location of your nearest **Sears Parts & Repair Center.**

**1-800-488-1222**

Call anytime, day or night (U.S.A. only)

[www.sears.com](http://www.sears.com)

---

To purchase a protection agreement on a product serviced by Sears:

**1-800-827-6655** (U.S.A.)

**1-800-361-6665** (Canada)

---

Para pedir servicio de reparación a domicilio, y para ordenar piezas:

**1-888-SU-HOGAR<sup>SM</sup>**  
(1-888-784-6427)

Au Canada pour service en français:

**1-888-LE-FOYER<sup>M C</sup>**  
[www.sears.ca](http://www.sears.ca)

# SEARS

® Registered Trademark/™ Trademark/SM Service Mark of Sears, Roebuck and Co.

® Marca Registrada/™ Marca de Fábrica/SM Marca de Servicio de Sears, Roebuck and Co.

® Marque commerce/™ Marque déposée de Sears, Roebuck and Co.