

## Operator's Manual



<i>Model No.</i>	<i>Description</i>
------------------	--------------------

7800580	NXT22875E
---------	-----------

7800696	NXT22875EFCA
---------	--------------

**Thank You** for purchasing this quality-built Snapper mower. We're pleased that you placed your confidence in the Snapper brand. When operated and maintained according to the instructions in this manual, your Snapper mower will provide many years of dependable service.

**This manual contains** safety information to make you aware of the hazards and risks associated with the machine and how to avoid them. This machine is designed and intended only for finish cutting of established lawns and is not intended for any other purpose. It is important that you read and understand these instructions thoroughly before attempting to start or operate this equipment. **Save these original instructions for future reference.**

**Date of Purchase** \_\_\_\_\_

**Retailer** \_\_\_\_\_

**Retailer's Phone Number** \_\_\_\_\_

**Equipment**

Model Number \_\_\_\_\_

Serial Number \_\_\_\_\_

**Engine**


Model \_\_\_\_\_ Type \_\_\_\_\_ Code \_\_\_\_\_

Not for  
Reproduction


# Table of Contents

<b>Operator Safety .....</b>	<b>4</b>
Safety Instructions .....	4
Safety and Operation Decals .....	6
<b>Features and Controls.....</b>	<b>8</b>
<b>Operation.....</b>	<b>9</b>
Before Starting .....	9
Fuel Recommendations.....	9
Starting the Mower .....	10
Propelling the Mower .....	10
Handle Height Adjustment .....	10
Cutting Height Adjustment.....	11
Mulching Operation .....	11
Installing the Discharge Deflector .....	11
Installing the Grass Bag.....	12
Charging the Battery .....	13
Maintenance Reminder .....	14
<b>Maintenance.....</b>	<b>15</b>
Maintenance Chart.....	15
Change Engine Oil.....	16
Service Air Filter .....	16
Check Safety Interlock System.....	17
Clean Debris Off Mower.....	17
Drive Control Adjustment .....	18
Storage Procedure .....	18
<b>Troubleshooting.....</b>	<b>19</b>
<b>Warranties .....</b>	<b>20</b>
<b>Slope Guide.....</b>	<b>23</b>


Not for  
Reproduction




### WARNING




It is a violation of California Public Resource Code, Section 4442, to use or operate the engine on any forest-covered, brush-covered, or grass-covered land unless the exhaust system is equipped with a spark arrester, as defined in Section 4442, maintained in effective working order. Other states or federal jurisdictions may have similar laws. Contact the original equipment manufacturer, retailer, or dealer to obtain a spark arrester designed for the exhaust system installed on this engine.




### WARNING



Battery posts, terminals and related accessories contain lead and lead compounds, chemicals known to the State of California to cause cancer and birth defects or other reproductive harm. Wash hands after handling.



### WARNING



Engine exhaust, some of its constituents, and certain vehicle components contain or emit chemicals known to the State of California to cause cancer or other reproductive harm.

## Operator Safety

---



**WARNING:** This powerful cutting machine is capable of amputating hands and feet and can throw objects that can cause injury and damage! Failure to comply with the following SAFETY instructions could result in serious injury or death to the operator or other persons. The owner of the machine must understand these instructions and must allow only persons who understand these instructions to operate machine. Each person operating the machine must be of sound mind and body and must not be under the influence of any substance, which might impair vision, dexterity or judgment. If you have any questions pertaining to your machine which your dealer cannot answer to your satisfaction, contact Customer Service (1-800-317-7833 or [www.snapper.com](http://www.snapper.com)).

### PROTECTION FOR CHILDREN

Tragic accidents can occur if the operator is not alert to the presence of children. Children are often attracted to the machine and the mowing activity. Never assume that children will remain where you last saw them.

1. KEEP children out of the mowing area and under the watchful care of a responsible adult other than the operator.
2. DO NOT allow children in yard when machine is operated and turn machine OFF if anyone enters the area.
3. DO NOT allow pre-teenage children to operate machine.
4. ALLOW only responsible adults & teenagers with mature judgment under close adult supervision to operate machine.
5. DO NOT pull mower backwards unless absolutely necessary. LOOK and SEE behind and down for children, pets and hazards before and while backing.
6. USE EXTRA CARE when approaching blind corners, shrubs, trees, or other objects that may obscure vision.

### SLOPE OPERATION

1. Slopes are a major factor related to slip and fall accidents, which can result in severe injury. All slopes require extra caution. If you feel uneasy on a slope, DO NOT mow it.
2. Mow across slopes, never up-and-down. Exercise extreme CAUTION when changing directions on slopes. DO NOT mow steep slopes or other areas where stability or traction is in doubt. Refer to the Slope Guide at the back of this manual.
3. Use extra care with grass catchers or other attachments; these affect the handling and the stability of the machine.

### PREPARATION

1. Read, understand, and follow instructions and warnings in this manual and on the mower, engine and attachments. Know the controls and the proper use of the mower before starting.
2. Only mature, responsible persons shall operate the machine and only after proper instruction.
3. Data indicates that operators age 60 and above, are involved in a large percentage of mower-related injuries. These operators should evaluate their ability to operate the mower safely enough to protect themselves and others from serious injury.
4. Handle fuel with extra care. Fuels are flammable and vapors are explosive. Use only an approved fuel container. DO NOT remove fuel cap or add fuel with engine running.

### PREPARATION

#### (Continued From Previous Column)

- Add fuel outdoors only with engine stopped and cool. Clean spilled fuel and oil from machine. DO NOT smoke.
5. Check the area to be mowed and remove all objects such as toys, wire, rocks, limbs and other objects that could cause injury if thrown by blade or interfere with mowing. Also note the location of holes, stumps, and other possible hazards.
  6. Keep people and pets out of the mowing area. Immediately, STOP Blade, Stop engine and Stop mower if anyone enters the area.
  7. Check shields, deflectors, switches, blade controls and other safety devices frequently for proper operation and location.
  8. Make sure all safety decals are clearly legible. Replace if damaged.
  9. Protect yourself when mowing and wear safety glasses, long pants and substantial footwear. DO NOT mow barefooted or with sandals.
  10. Know how to STOP blade and engine quickly in preparation for emergencies.
  11. Use extra care when loading or unloading the machine into a trailer or truck.
  12. Check grass catcher components frequently for signs of wear or deterioration and replace as needed to prevent injury from thrown objects going through weak or torn spots.

### SAFE HANDLING OF GASOLINE

To avoid personal injury or property damage, use extreme care in handling gasoline. Gasoline is extremely flammable and the vapors are explosive.

1. Extinguish all cigarettes, cigars, pipes and other sources of ignition.
2. Use only an approved fuel container.
3. DO NOT remove fuel cap or add fuel with the engine running. Allow the engine to cool before refueling.
4. DO NOT refuel the machine indoors.
5. DO NOT store the machine or fuel container inside where there is an open flame, spark or pilot light such as on a water heater or other appliances.
6. DO NOT fill fuel containers inside a vehicle or on a truck or trailer bed with a plastic liner. Always place the containers on the ground away from the vehicle before filling.

## SAFE HANDLING OF GASOLINE (Continued From Previous Page)

7. Remove gas-powered equipment from the vehicle or trailer and refuel it on the ground. If this is not possible, then refuel equipment using a portable container, rather than a gasoline dispenser nozzle.
8. DO NOT start gas powered equipment in enclosed vehicles or trailers.
9. Keep the nozzle in contact with the rim of the fuel tank or container opening at all times until fueling is complete. DO NOT use a nozzle lock-open device
10. If fuel is spilled on clothing, change clothing immediately.
11. DO NOT overfill a fuel tank. Replace fuel cap and tighten securely.

## OPERATION

1. DO NOT put hands or feet near or under rotating parts. Keep clear of discharge area while engine is running.
2. STOP engine when crossing gravel drives, walks, or roads, and under any conditions where thrown objects might be a hazard.
3. Mow only in daylight or good artificial light.
4. DO NOT operate mower while under the influence of alcohol or drugs.
5. After striking a foreign object or if mower vibrates abnormally, STOP the engine, disconnect and secure spark plug wire. Inspect the mower for any damage and repair the damage before starting.
6. DO NOT mow near drop offs, ditches or embankments. Operator could lose footing or balance.
7. STAY ALERT for holes and other hidden hazards. Tall grass can hide obstacles. Keep away from ditches, wash-outs, culverts, fences and protruding objects.
8. DO NOT mow on wet grass. Always be sure of your footing. Keep a firm hold on the handle and walk, never run. Slipping could cause injury.
9. ALWAYS stay behind handle when engine (motor) is running.
10. DO NOT leave the machine with the engine running. STOP BLADE and STOP ENGINE before leaving the operators position for any reason.
11. Before cleaning, repairing or inspecting make certain engine, blade and all moving parts have STOPPED. Disconnect and secure spark plug wire away from plug to prevent accidental starting.
12. STOP engine and wait until the blade comes to complete STOP before removing grass bag and/or clearing grass.
13. DO NOT operate mower without the entire grass catcher, rear guard, or other safety devices in place and working. DO NOT point discharge at people, passing cars, windows or doors.

## OPERATION

### (Continued From Previous Column)

14. DO NOT discharge material against a wall or obstruction. Material may ricochet back towards the operator.
15. Slow down before turning.
16. Watch out for traffic when near or crossing roadways.
17. DO NOT operate engine in enclosed areas. Engine exhaust gases contain carbon monoxide, a deadly poison.
18. Only use accessories approved by the manufacturer. See manufacturer's instructions for proper operation and installation of accessories.

## MAINTENANCE AND STORAGE

1. DO NOT store mower or fuel container inside where fumes may reach an open flame, spark or pilot light such as in a water heater, furnace, clothes dryer or other gas appliance. Allow engine to cool before storing machine in an enclosure. Store fuel container out of reach of children in a well ventilated, unoccupied building.
2. Keep mower and engine free of grass, leaves or excess grease to reduce fire hazard and engine overheating.
3. When draining fuel tank, drain fuel into an approved container outdoors and away from open flame.
4. Keep all bolts, especially blade bolts, nuts and screws properly tight. Check that all cotter pins are in proper position.
5. Always provide adequate ventilation when running engine. Engine exhaust gases contain carbon monoxide, a deadly poison.
6. Service engine and make adjustments only when engine is stopped. Removed spark plug wire from spark plug and secure wire away from spark plug to prevent accidental starting.
7. DO NOT change engine governor speed settings or overspeed engine.
8. Check grass bag assembly frequently for wear or deterioration to avoid thrown objects and exposure to moving parts. Replace with new bag if loose seams or tears are evident. Replace slider or bag adapter if broken or cracked.
9. Mower blades are sharp and can cut. Wrap the blades or wear heavy leather gloves and use CAUTION when handling them.
10. DO NOT test for spark by grounding spark plug next to spark plug hole; spark plug could ignite gas exiting engine.
11. Have machine serviced by an authorized dealer at least once a year and have the dealer install any new safety devices.
12. Use only factory authorized replacement parts or like parts when making repairs.

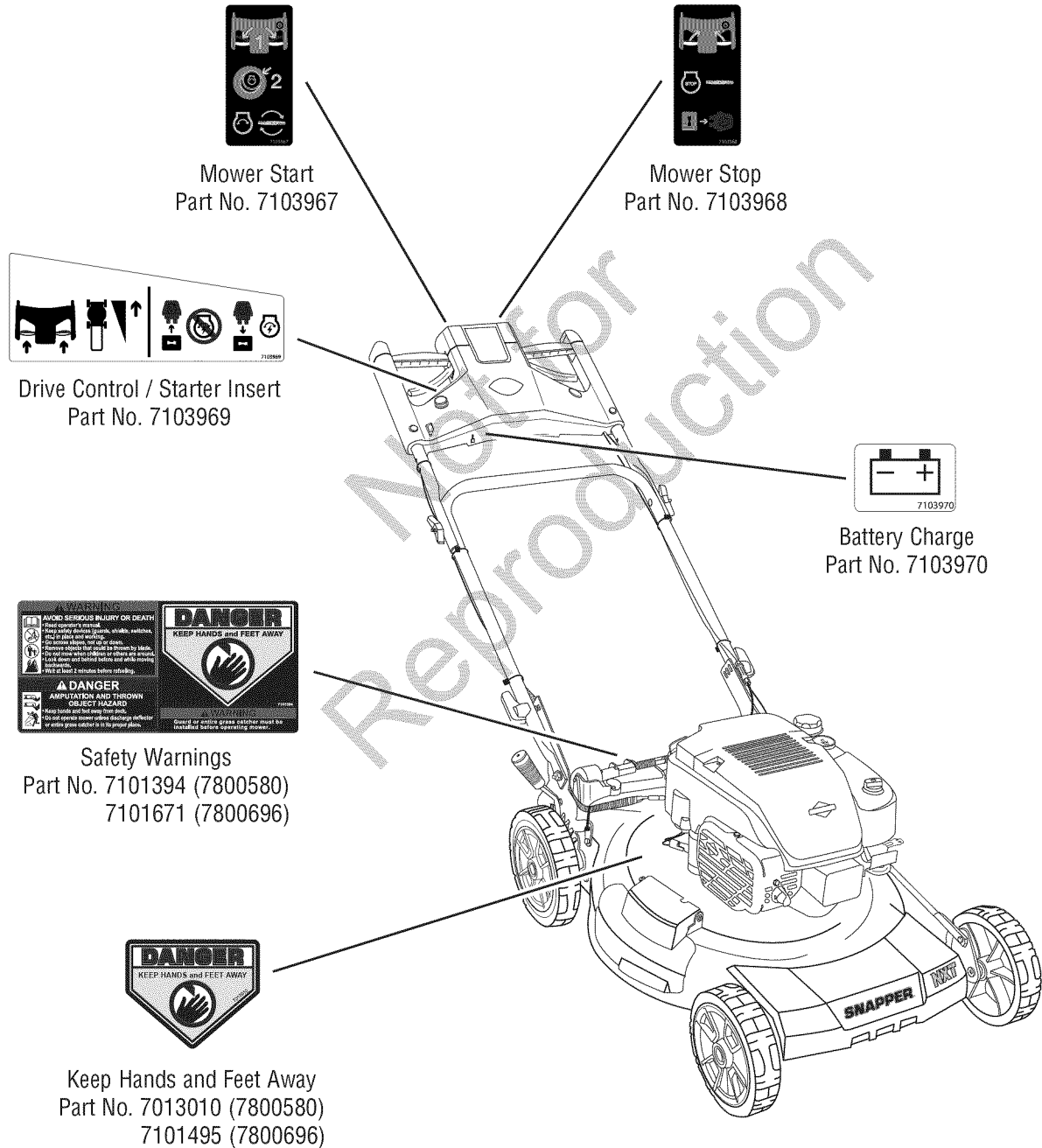
# Operator Safety

## Safety and Operation Decals

Reading this manual and the safety instructions it contains will provide the basic knowledge necessary to operate this mower safely and effectively. However, several safety and operation decals have also been placed on the mower as a reminder of this important information during operation.

The decals noted below are located on the mower. The safety warnings and operation instructions they contain should be carefully read, understood, and followed. **Not following these important warnings and instructions can result in serious bodily injury or death.**





If any of these decals are lost or damaged, replace them immediately. Contact your dealer for replacement decals.





## Explanation of Safety Decals



### A. WARNING: Avoid Serious Injury or Death

-  Read the operator's manual before attempting to operate the mower.
-  Mow across slopes, not up or down.
-  To avoid injury to others, do not mow when others, especially children, are around.
-  To reduce the potential for fire, wait at least 2 minutes before refueling.

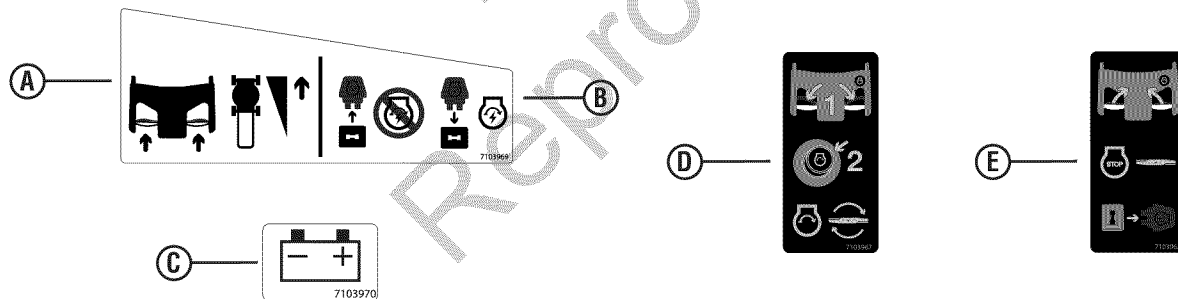
### B. DANGER: Amputation and Thrown Object Hazard.

-  To avoid serious injury or death, keep hands and feet away from the mower deck at all times during operation.
-  To avoid injury from thrown objects, do not operate the mower unless all mulching, discharge, or bagging components are in their proper place.

### C. DANGER: Keep Hands and Feet Away.

- D. WARNING: Guard or Entire Grass Catcher Must Be Installed Before Operating Mower.

## Explanation of Operation Decals



### A. Drive Control

- Push drive control forward to propel mower. Push the drive control further forward to increase ground speed.

### B. Starter Insert

- Remove starter insert to prevent mower from being started.
- Install starter insert to enable starting of mower.

### C. Battery Charge

- Indicates location of battery charge port.

### D. Mower Start

1. Squeeze blade control against drive control, and pull drive control all the way back.
  2. Push start button.
- Engine will start.

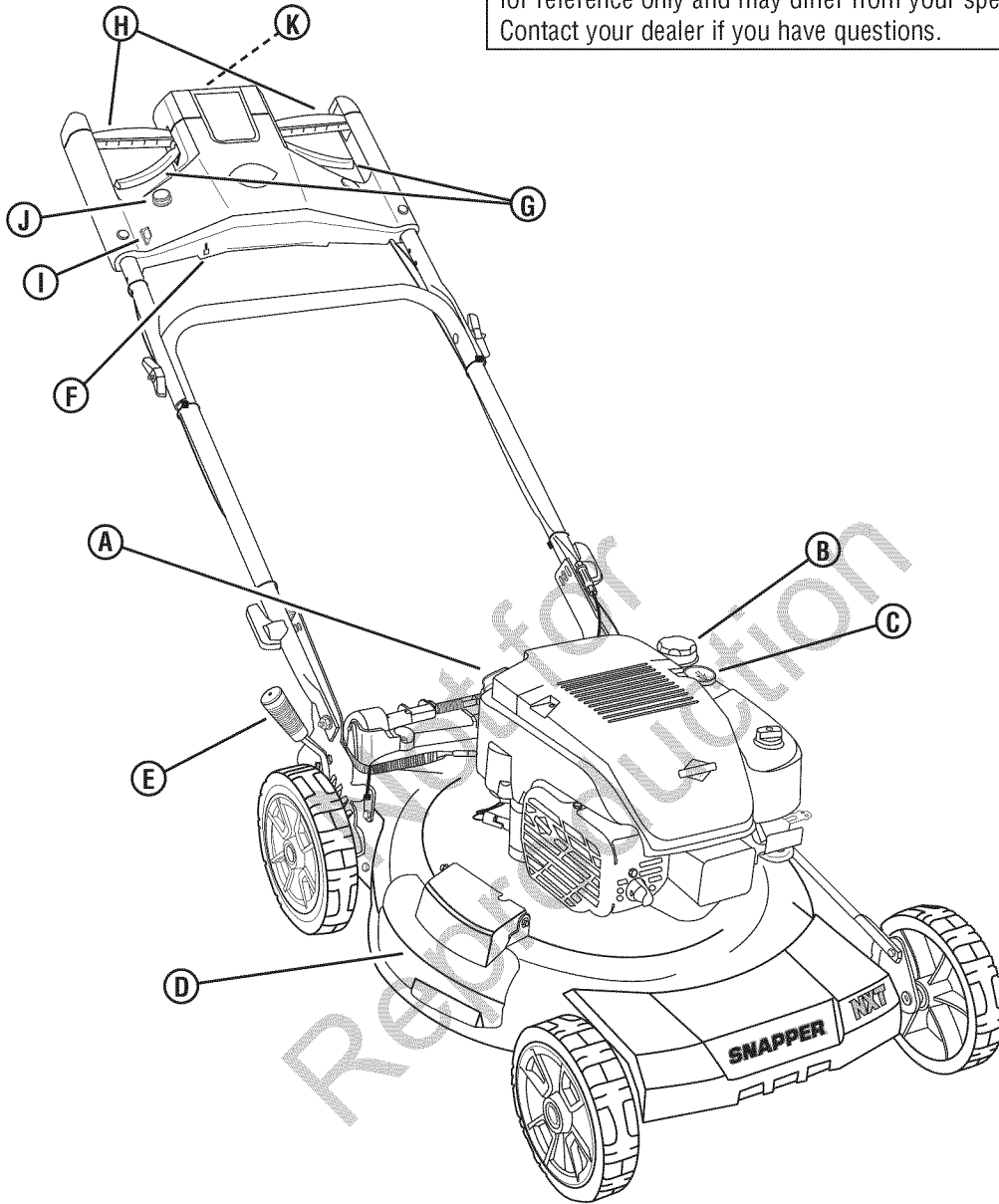
### E. Mower Stop

- Release blade control.
- Engine will stop.
- Remove starter insert to prevent mower from being started.

# Features and Controls

**IMPORTANT**

The figures and illustrations in this manual are provided for reference only and may differ from your specific model. Contact your dealer if you have questions.



- A. Oil Fill Cap and Dipstick
- B. Fuel Filler Cap
- C. Fuel Gauge
- D. Mulching Cover
- E. Cutting Height Adjust Lever

- F. Battery Charge Port
- G. Blade Control (2)
- H. Drive Control (2)
- I. Starter Insert
- J. Start Button
- K. Maintenance Reminder



## Before Starting

1. Check the guards, deflectors, grass bag, and covers to make sure all are in place and securely tightened.
2. Check the blade control (**A, Figure 1**) and drive control (**B**) to insure they work freely.

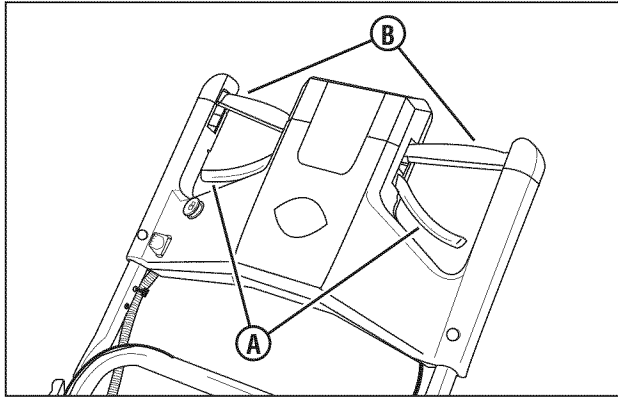


Figure 1: Mower controls

3. Check the cutting height. Adjust to the desired height. Refer to the section entitled 'Cutting Height Adjustment'.
4. Check the engine oil:
  - Make sure the mower is on a level surface.
  - Clean the oil fill area of any debris.
  - Remove the dipstick (**A, Figure 2**) and wipe with a clean cloth.
  - Insert and tighten the dipstick.
  - Remove the dipstick and check the oil level. It should be at the top of the full indicator (**B**) on the dipstick.
  - If low, add oil (Briggs & Stratton warranty-certified SAE30 lawnmower oil is recommended) slowly into the engine oil fill. **Do not overfill.** After adding oil, wait one minute and recheck the oil level.
  - Replace and tighten the dipstick.

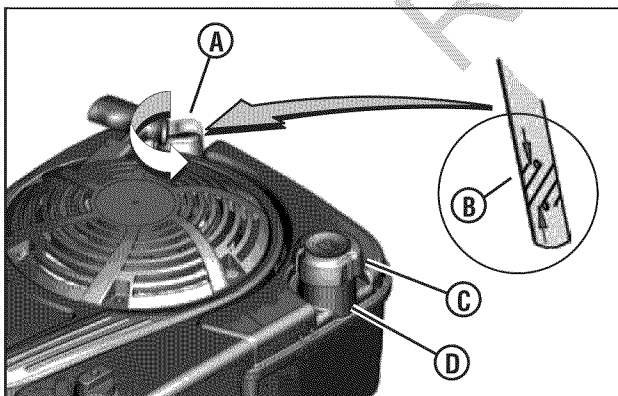


Figure 2: Oil and fuel fill

5. Add fuel to the tank:
  - Make sure the mower is outside, where fumes can safely dissipate.
  - Remove the fuel fill cap (**C, Figure 2**).
  - Fill the tank with fuel. Refer to the section entitled 'Fuel Recommendations'. To allow for expansion of the fuel, do not fill above the bottom of the filler neck (**D**).
  - Reinstall the fuel fill cap.
6. Clean the exterior surfaces of the cutting deck and engine of any accumulation of spilled fuel, dirt, grass, oil, etc. Keep the engine air intake screen and cooling fins clear at all times.
7. Charge the battery. Refer to the section entitled "Charging the Battery".

## Fuel Recommendations

### Fuel must meet these requirements:

- Clean, fresh, unleaded gasoline with
- A minimum of 87 octane / 87AKI (90 RON).
- Gasoline with up to 10% ethanol (gasahol) or up to 15% MTBE (methyl tertiary butyl ether) is acceptable.
- **CAUTION:** DO NOT use unapproved gasoline, such as E85. Do not mix oil in gasoline or modify the engine to run on alternative fuels. This will damage the engine components and **void the engine warranty.**

The engine on this equipment is certified to operate on gasoline. The emissions control system for this engine is EM (Engine Modifications).

### High Altitude

At altitudes over 5,000 feet (1524 meters), a minimum 85 octane/85 AKI (89 RON) gasoline is acceptable. To remain emissions compliant, high altitude adjustment is required. Operation without this adjustment will cause decreased performance, increased fuel consumption, and increased emissions.

Operation of the engine at altitudes below 2,500 feet (762 meters) with the high altitude kit is not recommended.

## Operation

### Starting the Mower

The engine on this mower is equipped with a ReadyStart® system, which features a temperature-controlled automatic choke. It does not have a manual choke or a primer.

1. Plug the starter insert (A, Figure 3) into the connection slot in the control console.
2. Squeeze the blade control (B) against the drive control (C).
3. Pull the drive control all the way back to the neutral position.

**NOTE:** The blade control and drive control can be operated from either side.

4. Push the start button (D) to start the engine.
5. To stop the engine (and blade), release the blade control.
6. After the engine starts, allow a brief warm-up until the engine runs smooth before beginning mower operation.

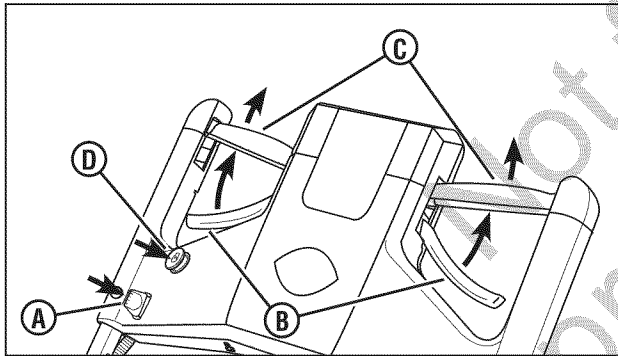


Figure 3: Starting the mower

### Propelling the Mower

1. Start the engine.
2. Begin slowly pushing the drive control (A, Figure 4) forward to propel the mower. Forward speed can be increased by pushing the drive control further forward.

**NOTE:** The drive control can be operated from either side.

**IMPORTANT:** Upon initial use, the drive control may have to be adjusted. Refer to the section entitled "Drive Control Adjustment".

### Stopping the Mower

1. Stop forward motion of the mower by pulling the drive control all the way back.
2. Stop the engine and blade by releasing the blade control.
3. Remove the starter insert from the control console.

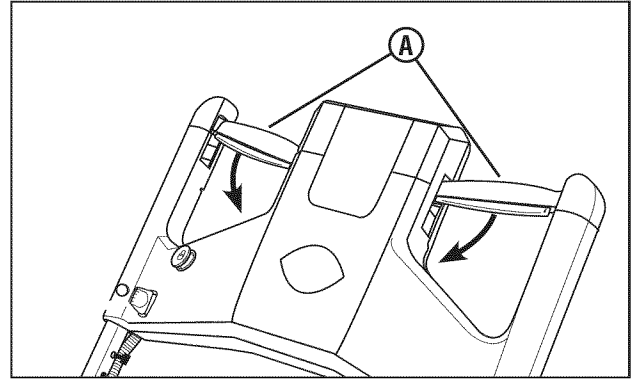


Figure 4: Propelling the mower

**WARNING**  
To prevent unauthorized starting, always remove the starter insert when leaving the mower unattended.

### Handle Height Adjustment

**WARNING**  
DO NOT attempt any maintenance, adjustments or service with engine and blade running. STOP engine and blade. Remove starter insert. Disconnect spark plug wire and secure away from spark plug. Engine and components are HOT. Avoid serious burns, allow sufficient time for all components to cool.

For greater operator comfort, the height of the mower handle can be adjusted.

1. Remove the knobs and carriage bolts securing the lower handle (A, Figure 5) to the mounting brackets (B).
2. Align the holes in the handle assembly with one of the three handle height adjustment holes in the mounting bracket.
3. Replace the removed hardware, tightening securely.

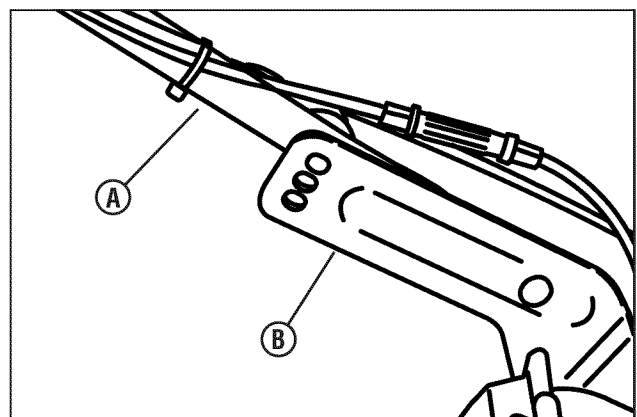


Figure 5: Adjusting the handle height

## Cutting Height Adjustment



### WARNING



DO NOT attempt any maintenance, adjustments or service with engine and blade running. STOP engine and blade. Remove starter insert. Disconnect spark plug wire and secure away from spark plug. Engine and components are HOT. Avoid serious burns, allow sufficient time for all components to cool.

Pull the cutting height adjust lever (**A**, **Figure 6**) outward, and move to the desired cutting height. The highest cutting position is Notch 9, and the lowest cutting position is Notch 1 (**Figure 7**). The lever will set all wheels to the same cutting height.

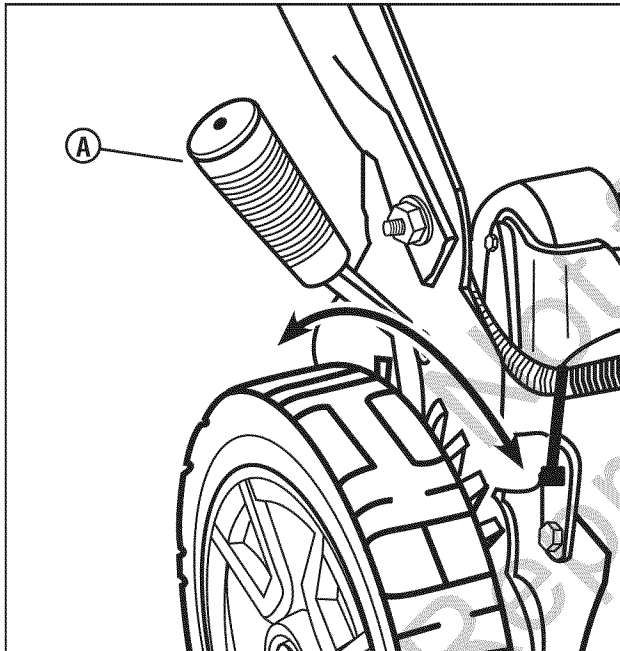


Figure 6: Adjusting cutting height

## Mulching Operation

For best mulching results, cut up to a maximum of 1/3 of grass length and recycle ONLY when grass is dry.

1. Make sure the discharge deflector and grass bag are removed, and the mulching plug is installed.
2. Set the cutting height adjust lever in the highest cutting position (Notch 9).
3. Proceed mowing slowly. Gradually lower the cutting height to obtain the best combination of cutting and mulching performance. Cutting too much grass in one pass, or cutting wet heavy grass may cause clumping or plugging of the mower deck.

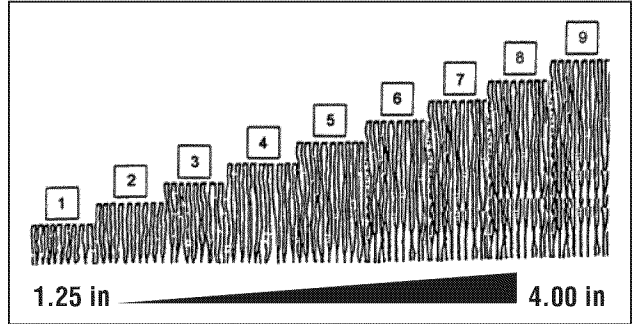


Figure 7: Cutting height settings (approximate)

## Installing the Discharge Deflector



### WARNING



DO NOT attempt any maintenance, adjustments or service with engine and blade running. STOP engine and blade. Remove starter insert. Disconnect spark plug wire and secure away from spark plug. Engine and components are HOT. Avoid serious burns, allow sufficient time for all components to cool.

1. Raise the mulching cover (**A**, **Figure 8**).
2. Install the deflector (**B**) to the deck under the mulching cover, making sure that the locking tabs on the deck (**C**) go through the slots in the deflector (**B**).
3. Lower the mulching cover against the deflector.

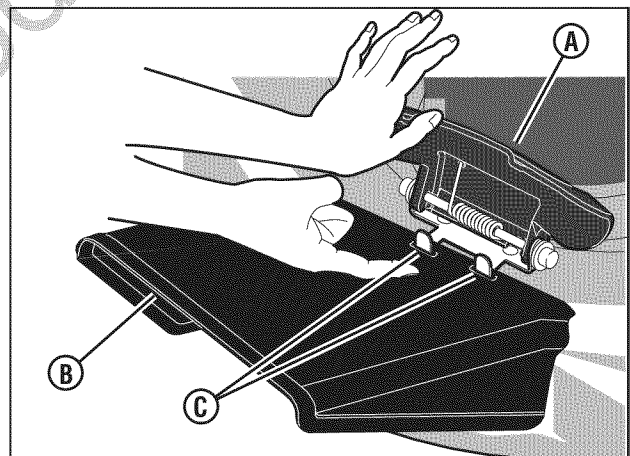


Figure 8: Installing the discharge deflector

## Operation

### Installing the Grass Bag



#### WARNING



DO NOT attempt any maintenance, adjustments or service with engine and blade running. STOP engine and blade. Remove starter insert. Disconnect spark plug wire and secure away from spark plug. Engine and components are HOT. Avoid serious burns, allow sufficient time for all components to cool.

**Important:** The mulching plug must be removed only when bagging is desired, and must be replaced as soon as bagging operations are completed.

1. Raise the rear discharge door (A, Figure 9).
2. Remove the mulching plug (B) from the rear discharge chute.

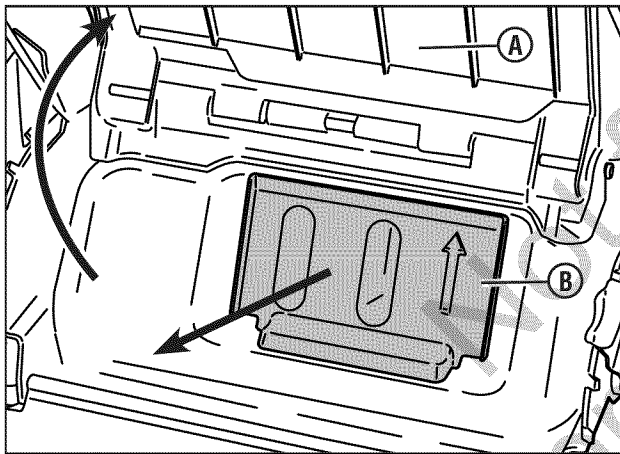


Figure 9: Removing the mulching plug

3. Holding the grass bag handle (A, Figure 10), install the grass bag onto the mower, making sure that the grass bag hooks (B) are hooked onto the rear door pivot rod (C).

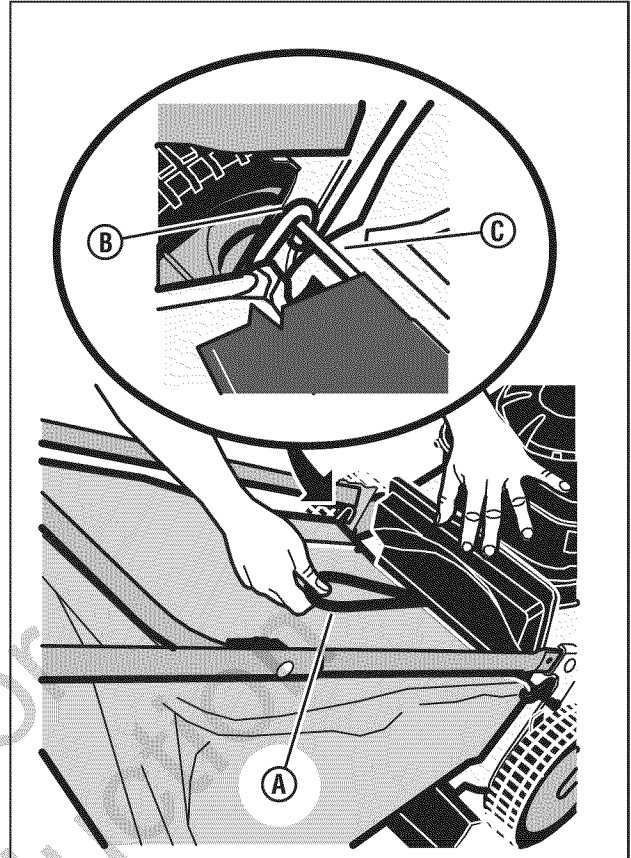


Figure 10: Installing the grass bag



#### WARNING



Grass Catcher bags are made of woven fabric, and are subject to deterioration and wear during normal usage. Check condition of bag before each use. Immediately replace worn or damaged catcher bags with only bags recommended by the manufacturer. The grass catcher is optional equipment on some models.

## Charging the Battery

The battery in this mower is sealed and maintenance free, and requires no service other than charging. If the battery will not accept a charge, bring the mower to an authorized service center for service.

1. Using the supplied charger, plug the charger connector into the battery charge port (**A, Figure 11**). Plug the charger into a wall outlet and charge the battery for 12-24 hours. (Longer periods will not damage the battery.)

**Important:** Use only the charger supplied with the mower to charge the battery. Using a different charger may damage the battery and/or mower.

2. When charging is complete, unplug and store the charger.

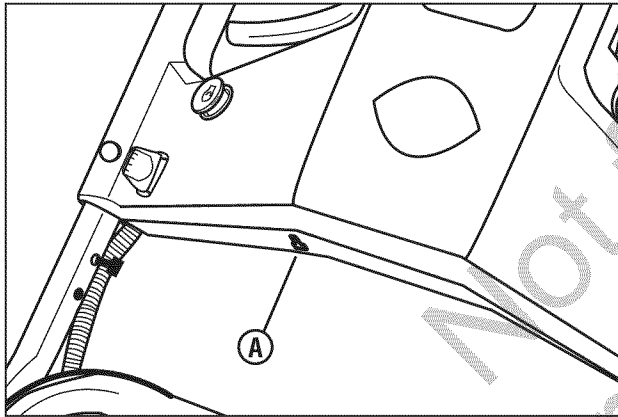


Figure 11: Battery charge port



### WARNING



Keep all sparks, flame and fire away from area when charging the battery. Never use "BOOST" chargers on the battery.

## Operation

### Maintenance Reminder

The maintenance reminder (**A, Figure 12**) provides timely reminders of important maintenance items. It has six display modes:

#### Total Hours

Displays total hours mower has been operated. This is the default screen.

#### Trip Hours

To display:

Press the 'Mode' button (**B**) until the 'Trip Hours' screen is displayed.

To reset:

Press and hold the 'Reset' button (**C**) for more than 3 seconds.

#### Clock

To display:

Press the 'Mode' button until the 'Clock' screen is displayed.

To set:

1. Press and hold the 'Mode' button for more than 3 seconds. The hour display will flash.
2. Press the 'Reset' button to set the correct hour.
3. Press the 'Mode' button. The minutes display will flash.
4. Press the 'Reset' button to set the correct minutes.
5. Press and hold the 'Mode' button for more than 3 seconds to save the set time.

#### Change Oil

The 'Change Oil' icon (**D**) will appear after the first 5 hours (total hours) of operation, then after every 25 hours of operation thereafter. This indicates it is time to change the oil. Be sure to follow the procedures outlined in this manual.

To reset:

1. Press the 'Mode' button until the 'Change Oil' screen is displayed. (The icon will flash.)
2. Press and hold the 'Reset' button for more than 3 seconds.

*NOTE:* If not reset, the 'Change Oil' icon will automatically disappear after 3 operating hours.

#### Spark Plug

The 'Spark Plug' icon (**E**) will appear every 50 hours (total hours) of operation. This indicates it is time to change the spark plug. Be sure to follow the procedures outlined in this manual.

To reset:

1. Press the 'Mode' button until the 'Spark Plug' screen is displayed. (The icon will flash.)
2. Press and hold the 'Reset' button for more than 3 seconds.

*NOTE:* If not reset, the 'Spark Plug' icon will automatically disappear after 3 operating hours.

#### Air Filter

The 'Air Filter' icon (**F**) will appear every 50 hours (total hours) of operation. This indicates it is time to change the air filter. Be sure to follow the procedures outlined in this manual.

To reset:

1. Press the 'Mode' button until the 'Air Filter' screen is displayed. (The icon will flash.)
2. Press and hold the 'Reset' button for more than 3 seconds.

*NOTE:* If not reset, the 'Air Filter' icon will automatically disappear after 3 operating hours.

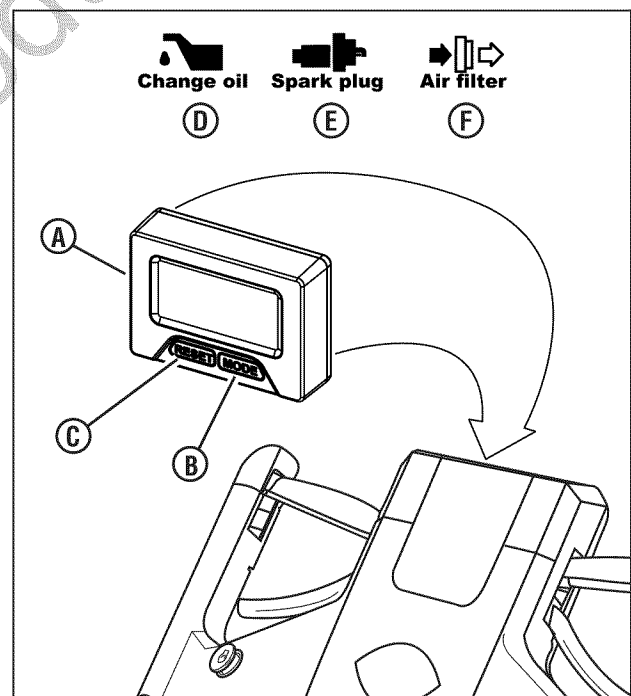




Figure 12: Maintenance reminder

## Maintenance Chart

 <b>WARNING</b> 
<p>DO NOT attempt any maintenance, adjustments or service with engine and blade running. STOP engine and blade. Remove the starter insert. Disconnect spark plug wire and secure away from spark plug. Engine and components are HOT. Avoid serious burns, allow sufficient time for all components to cool. Wear heavy leather gloves when handling or working around cutting blades. Blades are extremely sharp and can cause severe injury.</p>

MOWER
<b>Every 8 Hours or Daily</b>
Check safety interlock system
Clean debris off mower
<b>Every 25 Hours or Annually *</b>
Check mower for loose hardware
<b>See Dealer Annually to</b>
Lubricate mower
Check mower blade **
Check mower blade stopping time
Check drive belt
Clean battery and cables

\* Whichever comes first

\*\*Check blade more often in regions with sandy soils or high dust conditions.

### Emissions Control

Maintenance, replacement, or repair of the emissions control devices and systems may be performed by any non-road engine repair establishment or individual. However, to obtain “no charge” emissions control service, the work must be performed by a factory authorized dealer. See the Emissions Warranty.

ENGINE
<b>First 5 Hours</b>
Change engine oil
<b>Every 8 Hours or Daily</b>
Check engine oil level
<b>Every 25 Hours or Annually *</b>
Clean engine air filter and pre-cleaner (if equipped) **
<b>Every 50 Hours or Annually *</b>
Change engine oil
Replace oil filter (if equipped)
<b>Annually</b>
Replace air filter
Replace pre-cleaner (if equipped)
<b>See Dealer Annually to</b>
Inspect muffler and spark arrester (if equipped)
Replace spark plug
Replace fuel filter (if equipped)
Clean engine air cooling system

\* Whichever comes first

\*\*Clean more often in dusty conditions or when airborne debris is present.

## Maintenance

### Change Engine Oil



#### WARNING



DO NOT attempt any maintenance, adjustments or service with engine and blade running. STOP engine and blade. Remove starter insert. Disconnect spark plug wire and secure away from spark plug. Engine and components are HOT. Avoid serious burns, allow sufficient time for all components to cool.

1. Drain the fuel tank completely.
2. Remove the dipstick (A, Figure 13), then turn the mower on its side. Allow the oil to drain from the oil fill tube into an appropriate container. Dispose of used oil properly.
3. Place the mower upright, then fill the engine with engine oil to the 'full' mark on the dipstick. Briggs & Stratton warranty-certified SAE30 lawnmower oil is recommended. **Do not overfill.**

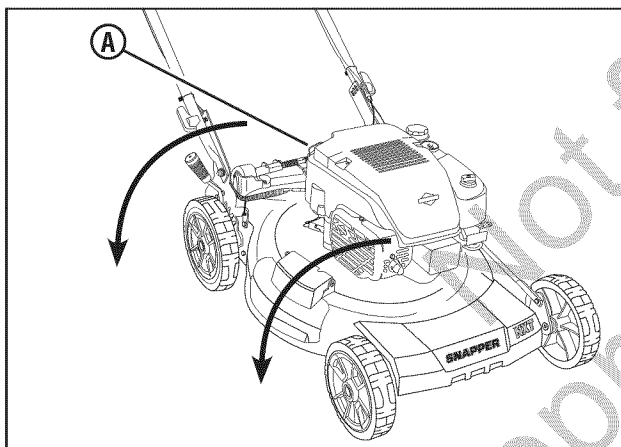


Figure 13: Draining the engine oil

### Service Air Filter



#### WARNING



Never start or run the engine with the air cleaner assembly (if equipped) or the air filter (if equipped) removed.

*NOTE:* Do not use pressurized air or solvents to clean the filter. Pressurized air can damage the filter and solvents will dissolve the filter.

1. Remove the fastener (A, Figure 14) and the air filter cover (B).
2. Remove the pre-cleaner (C) and the filter (D).
3. To loosen debris, gently tap the filter on a hard surface. If the filter is excessively dirty, replace with a new filter.
4. Wash the pre-cleaner in liquid detergent and water. Then allow it to thoroughly air dry. Do not oil the pre-cleaner.
5. Assemble the dry pre-cleaner to the filter.
6. Install the filter and pre-cleaner into the base (E). Make sure filter fits securely in the base.
7. Install air filter cover and secure with fastener. Make sure the fastener is tight.

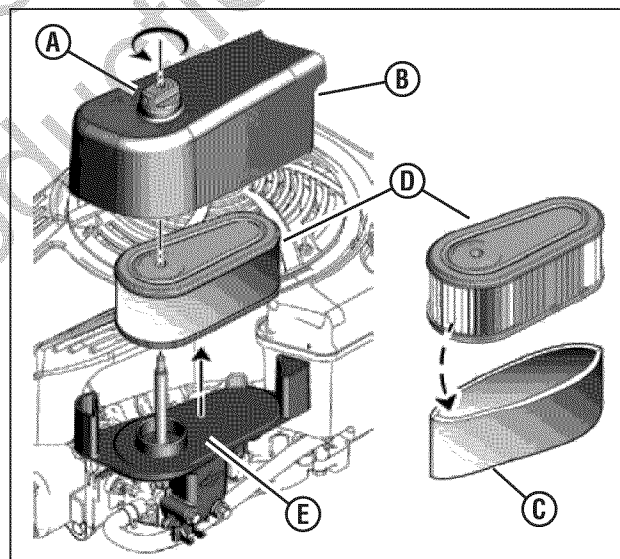


Figure 14: Air filter and pre-cleaner



### Check Safety Interlock System

1. Start the mower.
2. Release the blade control. **The engine must stop within 3 seconds.**

If the engine does not stop, **do not use the mower**. Bring the mower to an authorized dealer for service.

### Clean Debris Off Mower



#### WARNING



DO NOT attempt any maintenance, adjustments or service with engine and blade running. STOP engine and blade. Remove starter insert. Disconnect spark plug wire and secure away from spark plug. Engine and components are HOT. Avoid serious burns, allow sufficient time for all components to cool. Wear heavy leather gloves when handling or working around cutting blades. Blades are extremely sharp and can cause severe injury.

1. Clean dirt and debris from the top of the mower deck.
2. Clean any debris buildup on or around the engine, etc.

While cleaning, check components for wear or damage. Replace worn or damaged components immediately.

### Washout Port



#### WARNING



- Use appropriate eye protection.
- Keep people and pets out of the area.
- Stay behind the handle while the engine is running.
- Do not attempt mowing operations while using the washout port.
- Do not attempt to look under or reach under the mower deck for any reason while using the washout port. Serious injury can result.

The washout port allows hands-free cleaning of the underside of the mower deck. To use the washout port:

1. Be sure the grass bag and side discharge deflector are removed.
2. Set the height of cut to the lowest position.
3. Move the mower to a level, paved surface.
4. Stop the engine.
5. Connect the male end of a standard garden hose to the washout port connector (**A, Figure 15**).
6. Turn on the water supply to the garden hose.
7. Start the engine and run until no more debris emerges from under the mower deck.
8. Stop the engine.
9. Turn off the water supply to the garden hose.
10. Disconnect the garden hose from the washout port connector.

11. Start the engine and run for 2-3 minutes, to allow the underside of the mower deck to dry.

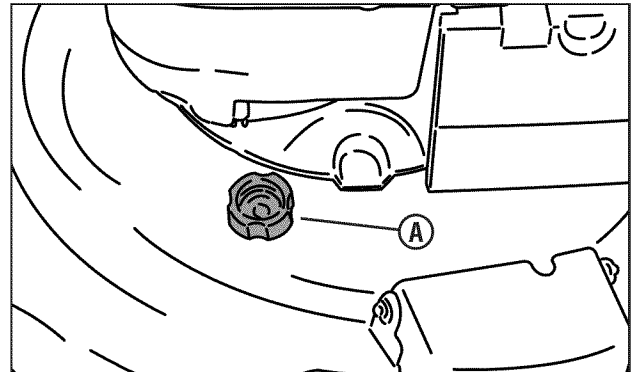


Figure 15: Washout port

# Maintenance

## Drive Control Adjustment



### WARNING



DO NOT attempt any maintenance, adjustments or service with engine and blade running. STOP engine and blade. Remove starter insert. Disconnect spark plug wire and secure away from spark plug. Engine and components are HOT. Avoid serious burns, allow sufficient time for all components to cool.

The drive control (**A, Figure 16**) should engage the transmission when the control is pushed forward, and should disengage the transmission when pulled all the way back.

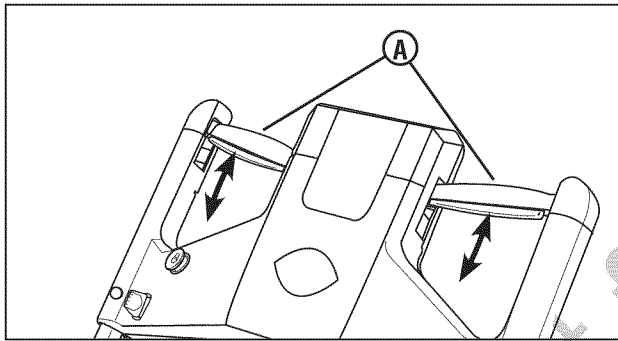


Figure 16: Drive control

If the transmission does not engage or disengage, adjustment may be performed as follows:

- If the transmission does not engage, rotate the turnbuckle (**A, Figure 17**) one-half turn to move the ferrules (**B**) out from the turnbuckle. Check and repeat as needed.
- If the transmission does not disengage, rotate the turnbuckle one-half turn to move the ferrules in toward the turnbuckle. Check and repeat as needed.

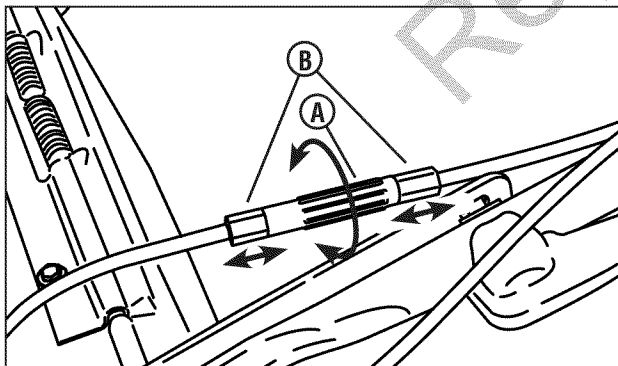


Figure 17: Adjusting the drive cable

**Caution:** Incorrect adjustment can cause premature wear and/or damage to the wheel drive components.

## Storage Procedure



### WARNING



DO NOT attempt any maintenance, adjustments or service with engine and blade running. STOP engine and blade. Remove starter insert. Disconnect spark plug wire and secure away from spark plug. Engine and components are HOT. Avoid serious burns, allow sufficient time for all components to cool. Wear heavy leather gloves when handling or working around cutting blades. Blades are extremely sharp and can cause severe injury.

Prepare the mower for “end of season” storage as follows:

1. Disconnect the spark plug wire and secure away from the spark plug.
2. Drain the fuel tank and let the engine run until all fuel is out of the carburetor.

*NOTE:* If using a fuel stabilizer, there is no need to drain the fuel tank. Refer to the section entitled ‘Fuel System’.

3. Use a brush or compressed air to remove loose debris, then use a damp cloth to wipe down the unit.
4. Tilt the mower up on its rear wheels and inspect the underside of the deck. (Do not tilt the mower with the spark plug or carburetor down.) Scrape away stubborn accumulation of grass with a putty knife and/or wire brush.
5. Lubricate all exposed metal with a light coating of oil to prevent corrosion.
6. Carefully fold the handles, flexing the control cables to prevent cable damage.
7. Store the mower in a shed or other dry area, protected from weather.

## Fuel System

Fuel can become stale when stored over 30 days. Stale fuel causes acid and gum deposits to form in the fuel system or on essential carburetor parts. To keep fuel fresh, use Briggs & Stratton FRESH START® fuel stabilizer, available as a liquid additive or a drip concentrate cartridge.

There is no need to drain gasoline from the engine if a fuel stabilizer is added according to instructions. Run the engine for 2 minutes to circulate the stabilizer throughout the fuel system. The engine and fuel can then be stored up to 24 months.

If gasoline in the engine has not been treated with a fuel stabilizer, it must be drained into an approved container. Run the engine until it stops from lack of fuel. The use of a fuel stabilizer in the storage container is recommended to maintain freshness.

## Troubleshooting

PROBLEM	PROBABLE CAUSE	CORRECTIVE ACTION
Engine Will Not Start	1. Fuel tank empty.	1. Fill fuel tank with fresh fuel.
	2. Starter insert not installed.	2. Install starter insert into control console.
	3. Spark plug wire disconnected.	3. Place spark plug wire onto spark plug.
	4. Wiring harness disconnected.	4. Connect wiring harness.
	5. Battery dead.	5. Charge or replace battery.
Engine Stalls or Loses Power After Running	1. Blade control is released or is not being held securely against drive control.	1. Blade control should be held securely against drive control at all times during operation.
	2. Fuel tank empty.	2. Fill with fuel to proper level.
	3. Engine pre-cleaner and/or air cleaner dirty.	3. Clean or replace precleaner and/or air cleaner.
	4. Spark plug fouled or gap set improperly.	4. Service spark plug.
	5. Water, debris or stale fuel in fuel system.	5. Drain and clean fuel system.
Excessive Vibration	1. Damaged, out of balance or bent mower blade.	1. Contact authorized dealer.
	2. Loose blade components.	2. Contact authorized dealer.
	3. Loose or missing air lift (if equipped).	3. Contact authorized dealer.
	4. Lumpy or frayed belt.	4. Contact authorized dealer.
Mower Will Not Move/ Loss Of Traction	1. Build-up of debris on or around drive components.	1. Clean debris.
	2. Transmission cable adjustment required.	2. Adjust transmission cable.
	3. Drive belt requires replacement.	3. Contact authorized dealer.
	4. Damaged transmission.	4. Contact authorized dealer.
Cutting Grass Improperly	1. Cutting height too low or high.	1. Adjust cutting height.
	2. Forward speed too fast.	2. Adjust to a slower speed.
	3. Cutting blade dull or damaged.	3. Contact authorized dealer.
Poor Grass Discharge	1. Forward speed too fast.	1. Adjust to a slower speed.
	2. Grass is wet.	2. Mow when grass is dry.
	3. Excessively worn or damaged blade.	3. Contact authorized dealer.
	4. Build up of grass clippings and debris under deck.	4. Clean deck.
	5. Improper blade installed on deck.	5. Contact authorized dealer.
	6. Blade installed improperly on deck.	6. Contact authorized dealer.
Oil Leaking	1. Loose dipstick.	1. Make sure dipstick/oil filler cap is securely in place.
	2. Loose drain plug.	2. Check and tighten drain plug.
	3. Oil level is overfilled.	3. Drain excess oil.
	4. Damaged oil seals.	4. Contact authorized dealer.

# Warranties

## BRIGGS & STRATTON POWER PRODUCTS GROUP, L.L.C. OWNER WARRANTY POLICY

### LIMITED WARRANTY

Briggs & Stratton Power Products Group, LLC will repair and/or replace, free of charge, any part(s) of the equipment that is defective in material or workmanship or both. Briggs & Stratton Corporation will repair and/or replace, free of charge, any part(s) of the Briggs and Stratton engine\* (if equipped) that is defective in material or workmanship or both. Transportation charges on product submitted for repair or replacement under this warranty must be borne by purchaser. This warranty is effective for the time periods and subject to the conditions stated below. For warranty service, find the nearest Authorized Service Dealer using our dealer locator at [www.BriggsandStratton.com](http://www.BriggsandStratton.com) or [www.Snapper.com](http://www.Snapper.com).

There is no other express warranty. Implied warranties, including those of merchantability and fitness for a particular purpose, are limited to one year from purchase or to the extent permitted by law. Liability for incidental or consequential damages are excluded to the extent exclusion is permitted by law.

Some states or countries do not allow limitations on how long an implied warranty lasts, and some states or countries do not allow the exclusion or limitation of incidental or consequential damages, so the above limitation and exclusion may not apply to you. This warranty gives you specific legal rights and you may also have other rights which vary from state to state or country to country.

### WARRANTY PERIOD

Item	Consumer Use	Commercial Use:
Equipment	2 Years	90 Days
Engine*	2 Years	90 Days
Battery	1 Year	1 Year

The warranty period begins on the date of purchase by the first retail consumer or commercial end user, and continues for the period of time stated above. "Consumer use" means personal residential household use by a retail consumer. "Commercial use" means all other uses, including use for commercial, income producing or rental purposes. Once product has experienced commercial use, it shall thereafter be considered as commercial use for purposes of this warranty.

No warranty registration is necessary to obtain warranty on Briggs & Stratton products. Save your proof of purchase receipt. If you do not provide proof of the initial purchase date at the time warranty service is requested, the manufacturing date of the product will be used to determine warranty eligibility.

### ABOUT YOUR WARRANTY

We welcome warranty repair and apologize to you for being inconvenienced. Warranty service is available only through servicing dealers authorized by Briggs & Stratton or BSPPG, LLC.

Most warranty repairs are handled routinely, but sometimes requests for warranty service may not be appropriate. This warranty only covers defects in materials or workmanship. It does not cover damage caused by improper use or abuse, improper maintenance or repair, normal wear and tear, or stale or unapproved fuel.

**Improper Use and Abuse** - The proper, intended use of this product is described in the Operator's Manual. Using the product in a way not described in the Operator's Manual or using the product after it has been damaged will void your warranty. Warranty is not allowed if the serial number on the product has been removed or the product has been altered or modified in any way, or if the product has evidence of abuse such as impact damage, or water/chemical corrosion damage.

**Improper Maintenance or Repair** - This product must be maintained according to the procedures and schedules provided in the Operator's Manual, and serviced or repaired using genuine Briggs & Stratton parts. Damage caused by lack of maintenance or use of non-original parts is not covered by warranty.

**Normal Wear** - Like all mechanical devices, your unit is subject to wear even when properly maintained. This warranty does not cover repairs when normal use has exhausted the life of a part or the equipment. Maintenance and wear items such as filters, belts, cutting blades, and brake pads (engine brake pads are covered) are not covered by warranty due to wear characteristics alone, unless the cause is due to defects in material or workmanship.

**Stale Fuel** - In order to function correctly, this product requires fresh fuel that conforms to the criteria specified in the Operator's Manual. Damage caused by stale fuel (carburetor leaks, clogged fuel tubes, sticking valves, etc) is not covered by warranty.

\* Applies to Briggs and Stratton engines only. Warranty coverage of non-Briggs and Stratton engines is provided by the engine manufacturer.

## California, U.S. EPA, and Briggs & Stratton Corporation Emissions Control Warranty Statement Your Warranty Rights And Obligations

April 2011

The California Air Resources Board, U.S. EPA, and Briggs & Stratton (B&S) are pleased to explain the emissions control system warranty on your Model Year 2011-2012 engine/equipment. In California, new small off-road engines and large spark ignited engines less than or equal to 1.0 liter must be designed, built, and equipped to meet the State's stringent anti-smog standards. B&S must warrant the emissions control system on your engine/equipment for the periods of time listed below provided there has been no abuse, neglect, or improper maintenance of your engine or equipment.

Your emissions control system may include parts such as the carburetor or fuel injection system, fuel tank, ignition system, and catalytic converter. Also included may be hoses, belts, connectors, sensors, and other emissions-related assemblies.

Where a warrantable condition exists, B&S will repair your engine/equipment at no cost to you including diagnosis, parts, and labor.

### Manufacturer's Warranty Coverage:

Small off-road engines and large spark ignited engines less than or equal to 1.0 liter are warranted for two years. If any emissions-related part on your engine/equipment is defective, the part will be repaired or replaced by B&S.

### Owner's Warranty Responsibilities:

- As the engine/equipment owner, you are responsible for the performance of the required maintenance listed in your owner's manual. B&S recommends that you retain all receipts covering maintenance on your engine/equipment, but B&S cannot deny warranty solely for the lack of receipts or your failure to ensure the performance of all scheduled maintenance.
- As the engine/equipment owner, you should however be aware that B&S may deny you warranty coverage if your engine/equipment or a part has failed due to abuse, neglect, improper maintenance, or unapproved modifications.
- You are responsible for presenting your engine/equipment to a B&S distribution center, servicing dealer, or other equivalent entity, as applicable, as soon as a problem exists. The warranty repairs should be completed in a reasonable amount of time, not to exceed 30 days. If you have any questions regarding your warranty rights and responsibilities, you should contact B&S at (414) 259-5262.

## Briggs & Stratton Emissions Control Warranty Provisions

The following are specific provisions relative to your Emissions Control Warranty Coverage. It is in addition to the B&S engine warranty for non-regulated engines found in the Operator's Manual.

### 1. Warranted Emissions Parts

Coverage under this warranty extends only to the parts listed below (the emissions control systems parts) to the extent these parts were present on the B&S engine and/or B&S supplied fuel system.

- Fuel Metering System**
  - Cold start enrichment system (soft choke)
  - Carburetor and internal parts
  - Fuel pump
  - Fuel line, fuel line fittings, clamps
  - Fuel tank, cap and tether
  - Carbon canister
- Air Induction System**
  - Air cleaner
  - Intake manifold
  - Purge and vent line
- Ignition System**
  - Spark plug(s)
  - Magneto ignition system
- Catalyst System**
  - Catalytic converter
  - Exhaust manifold
  - Air injection system or pulse valve
- Miscellaneous Items Used in Above Systems**
  - Vacuum, temperature, position, time sensitive valves and switches
  - Connectors and assemblies

### 2. Length of Coverage

For a period of two years from date of original purchase, B&S warrants to the original purchaser and each subsequent purchaser that the engine is designed, built, and equipped so as to conform with all applicable regulations adopted by the Air Resources Board; that it is free from defects in material and workmanship that could cause the failure of a warranted part; and that it is identical in all material respects to the engine described in the manufacturer's application for certification. The warranty period begins on the date the engine is originally purchased.

The warranty on emissions-related parts is as follows:

- Any warranted part that is not scheduled for replacement as required maintenance in the owner's manual supplied, is warranted for the warranty period stated above. If any such part fails during the period of warranty coverage, the part will be repaired or replaced by B&S at no charge to the owner. Any such part repaired or replaced under the warranty will be warranted for the remaining warranty period.
- Any warranted part that is scheduled only for regular inspection in the owner's manual supplied, is warranted for the warranty period stated above. Any such part repaired or replaced under warranty will be warranted for the remaining warranty period.
- Any warranted part that is scheduled for replacement as required maintenance in the owner's manual supplied, is warranted for the period of time prior to the first scheduled replacement point for that part. If the part fails prior to the first scheduled replacement, the part will be repaired or replaced by B&S at no charge to the owner. Any such part repaired or replaced under warranty will be warranted for the remainder of the period prior to the first scheduled replacement point for the part.
- Add on or modified parts that are not exempted by the Air Resources Board may not be used. The use of any non exempted add on or modified parts by the owner will be grounds for disallowing a warranty claim. The manufacturer will not be liable to warrant failures of warranted parts caused by the use of a non exempted add on or modified part.

### 3. Consequential Coverage

Coverage shall extend to the failure of any engine components caused by the failure of any warranted emissions parts.

### 4. Claims and Coverage Exclusions

Warranty claims shall be filed according to the provisions of the B&S engine warranty policy. Warranty coverage does not apply to failures of emissions parts that are not original equipment B&S parts or to parts that fail due to abuse, neglect, or improper maintenance as set forth in the B&S engine warranty policy. B&S is not liable for warranty coverage of failures of emissions parts caused by the use of add-on or modified parts.

## Look For Relevant Emissions Durability Period and Air Index Information On Your Small Off-Road Engine Emissions Label

Engines that are certified to meet the California Air Resources Board (CARB) small off-road Emissions Standard must display information regarding the Emissions Durability Period and the Air Index. Briggs & Stratton makes this information available to the consumer on our emissions labels. The engine emissions label will indicate certification information.

The **Emissions Durability Period** describes the number of hours of actual running time for which the engine is certified to be emissions compliant, assuming proper maintenance in accordance with the Operating & Maintenance Instructions. The following categories are used:

#### Moderate:

Engine is certified to be emissions compliant for 125 hours of actual engine running time.

#### Intermediate:

Engine is certified to be emissions compliant for 250 hours of actual engine running time.

#### Extended:

Engine is certified to be emissions compliant for 500 hours of actual engine running time. For example, a typical walk-behind lawn mower is used 20 to 25 hours per year.

Therefore, the **Emissions Durability Period** of an engine with an **intermediate** rating would equate to 10 to 12 years.

Briggs & Stratton engines are certified to meet the United States Environmental Protection Agency (USEPA) Phase 2 or Phase 3 emissions standards. The Emissions Compliance Period referred to on the Emissions Compliance label indicates the number of operating hours for which the engine has been shown to meet Federal emissions requirements.

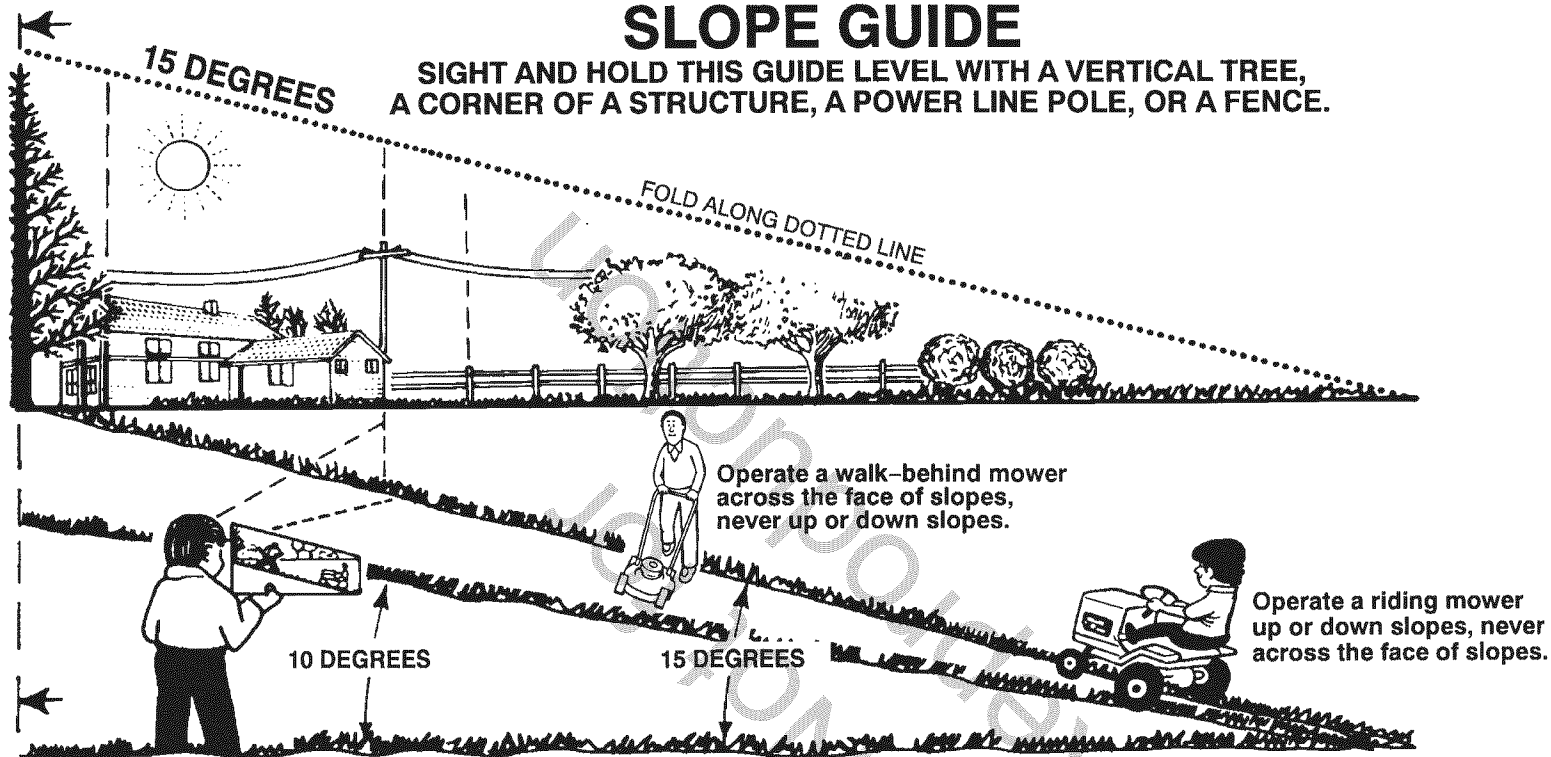
For engines less than 225 cc displacement.

Category C = 125 hours, Category B = 250 hours, Category A = 500 hours

For engines of 225 cc or more displacement.

Category C = 250 hours, Category B = 500 hours, Category A = 1000 hours



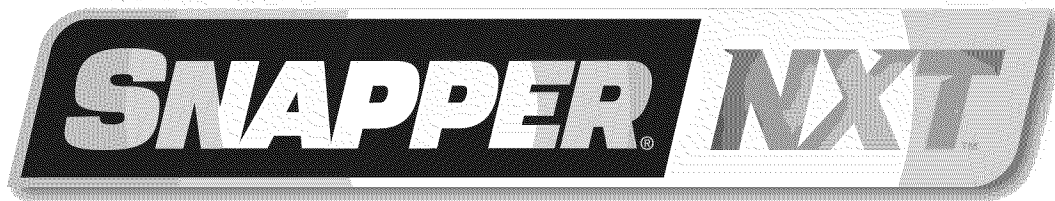


On a riding mower to determine if a slope is safe to mow: (1) disengage the blade(s), (2) put the unit in reverse, and (3) try to back straight up the slope. If you can back up the slope, it is generally safe to mow. However, if you do not feel safe, or if you are not completely sure, use this guide and do not mow a slope that is greater than 15 degrees. If the riding mower is used with a pull-behind or rear mounted attachment, do not operate the unit on a slope that is greater than 10 degrees.

A 15 degree slope is a hill that increases in height at approximately 2.5 feet in 10 feet.  
 A 10 degree slope is a hill that increases in height at approximately 1.7 feet in 10 feet.



Use extreme care at all times, and avoid sudden turns or maneuvers. Follow other instructions in this manual for safety in mowing on slopes. Operate a riding mower up or down slopes, never across the face of slopes. Operate a walk-behind mower across the face of slopes, never up or down slopes. Use extra care when operating on or near slopes and obstructions.



---

## Specifications

### Mower

Deck Size (in)	22
Height of Cut (in)	1.25 - 4
Transmission Type	Variable Speed/Gear
Ground Speed (mph)	0 - 4.2
Blade Torque (ft-lbs)	40

### Engine

Gross Engine Power * (ft-lbs)	8.75
Engine Displacement (cc)	190
Fuel Tank Capacity (qt)	1.2
Oil Capacity (oz)	18 - 20
Spark Plug Gap (in)	0.020
Spark Plug Torque (in-lbs)	180

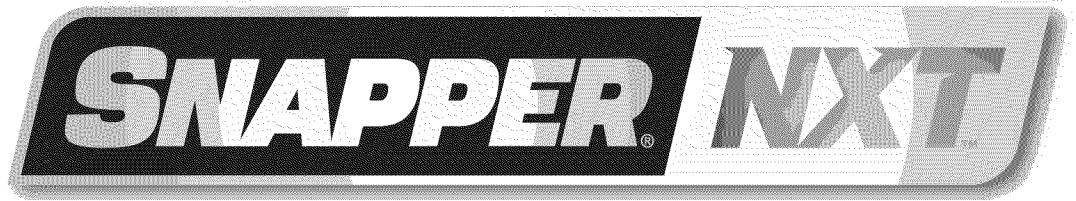
---

**\* Power Ratings:** The gross power rating for individual gas engine models is labeled in accordance with SAE (Society of Automotive Engineers) code J1940 (Small Engine Power & Torque Rating Procedure), and rating performance has been obtained and corrected in accordance with SAE J1995 (Revision 2002-05). Torque values are derived at 3060 RPM; horsepower values are derived at 3600 RPM. The gross power curves can be viewed at [www.BRIGGSandSTRATTON.COM](http://www.BRIGGSandSTRATTON.COM). Net power values are taken with exhaust and air cleaner installed whereas gross power values are collected without these attachments. Actual gross engine power will be higher than net engine power and is affected by, among other things, ambient operating conditions and engine-to-engine variability. Given the wide array of products on which engines are placed, the gas engine may not develop the rated gross power when used in a given piece of power equipment. This difference is due to a variety of factors including, but not limited to, the variety of engine components (air cleaner, exhaust, charging, cooling, carburetor, fuel pump, etc.), application limitations, ambient operating conditions (temperature, humidity, altitude), and engine-to-engine variability. Due to manufacturing and capacity limitations, Briggs & Stratton may substitute an engine of higher rated power for this Series engine.

**SNAPPER**

1-800-317-7833  
[www.snapper.com](http://www.snapper.com)





*Manual del usuario*



<i>Nº de modelo</i>	<i>Descripción</i>
7800580	NXT22875E
7800696	NXT22875EFCA

**Gracias** por haber adquirido este cortacésped Snapper de alta calidad. Le agradecemos la confianza que Vd. ha depositado en la marca Snapper. Si se maneja y se realiza el mantenimiento adecuado tal y como se indica en este manual, su cortacésped Snapper le proporcionará años de funcionamiento fiable.

**Este manual contiene** información de seguridad para avisarle de los peligros y riesgos asociados con el dispositivo y sobre el modo de evitarlos. Esta máquina está diseñada y concebida únicamente para el corte final de césped asentado y no para cualquier otro propósito. Es importante que lea y comprenda estas instrucciones con detenimiento antes de proceder a arrancar o hacer funcionar este equipo.

**Conserve estas instrucciones originales para consultarlas en el futuro.**

**Fecha de compra** \_\_\_\_\_

**Minorista** \_\_\_\_\_

**Número de teléfono del vendedor minorista** \_\_\_\_\_

**Equipo**

Número de modelo \_\_\_\_\_

Número de serie \_\_\_\_\_

**Motor**

Modelo \_\_\_\_\_ Tipo \_\_\_\_\_ Código \_\_\_\_\_

Not for  
Reproduction

# Índice

<b>Seguridad del usuario .....</b>	<b>4</b>
Instrucciones de seguridad .....	4
Etiquetas transparentes de seguridad y funcionamiento .....	6
<b>Características y mandos.....</b>	<b>8</b>
<b>Operación .....</b>	<b>9</b>
Antes de empezar.....	9
Recomendaciones sobre combustible.....	9
Encendido del cortacésped .....	10
Propulsión del cortacésped .....	10
Ajuste de altura del mango .....	10
Ajuste de altura de corte .....	11
Funcionamiento de la desmenuzadora.....	11
Instalación del deflector de descarga.....	11
Instalación de la bolsa de césped .....	12
Carga de la batería.....	13
Recordatorio de mantenimiento .....	14
<b>Mantenimiento .....</b>	<b>15</b>
Tabla de mantenimiento.....	15
Cambiar el aceite del motor.....	16
Haga el mantenimiento del filtro de aire .....	16
Revisar el sistema de bloqueo de seguridad.....	17
Limpieza de los desechos del cortacésped .....	17
Ajuste del control de la transmisión .....	18
Procedimiento de almacenamiento .....	18
<b>Solución de problemas .....</b>	<b>19</b>
<b>Garantías.....</b>	<b>20</b>
<b>Guía de inclinaciones.....</b>	<b>23</b>



## ADVERTENCIA



Constituye una infracción del artículo 4442 del California Public Resource Code utilizar u operar el motor en la proximidades de terrenos boscosos o de rastrojo o que estén cubiertos de hierba a menos que el sistema de escape esté equipado con un dispositivo antichispas, tal y como se define en la Sección 4442, que además se mantenga en un buen estado de funcionamiento. Otros estados o jurisdicciones federales pueden tener normas legales similares. Póngase en contacto con el fabricante original del equipo, el vendedor o el distribuidor para obtener un dispositivo antichispas para el sistema de escape instalado en este motor.



## ADVERTENCIA



Los bornes, las terminales de la batería y los accesorios de la misma contienen plomo y compuestos de plomo, productos químicos que el Estado de California reconoce causar cáncer, defectos de nacimiento y otras lesiones genéticas. Lávese las manos después de manejar la batería o sus accesorios.



## ADVERTENCIA



El tubo de escape del motor, algunos de sus componentes y ciertos componentes del vehículo contienen o emiten productos químicos que el Estado de California reconoce causar cáncer u otras lesiones genéticas.

# Seguridad del usuario



**ADVERTENCIA:** Esta potente máquina cortacésped puede llegar a amputar manos y pies y puede lanzar objetos que pueden causar lesiones y daños. El no cumplimiento de las siguientes instrucciones de SEGURIDAD puede resultar en lesiones graves o muerte al usuario u otras personas. El propietario de la máquina deberá comprender estas instrucciones y permitirá utilizar la máquina únicamente a personas que comprendan estas instrucciones. Todas las personas que manejen esta máquina deberán estar sanas mental y físicamente y no deberán hallarse bajo la influencia de ningún tipo de sustancias que puedan deteriorar sus capacidades visuales, su destreza o su capacidad de juicio. Si tiene alguna pregunta relativa a su máquina que su distribuidor no pueda responder a su satisfacción, póngase en contacto con el Departamento de Atención al Cliente (1-800-317-7833 o [www.snapper.com](http://www.snapper.com)).

## PROTEJA A LOS NIÑOS

Pueden ocurrir accidentes trágicos si el operador no está atento a la presencia de niños. Los niños suelen sentirse atraídos por la unidad y por la actividad del cortacésped. Nunca dé por hecho que los niños vayan a permanecer en el último lugar en el que los vio.

1. MANTENGA a los niños fuera de la zona en la que va a cortar el césped y vigilados por un adulto que se responsabilice de ellos, aparte del usuario de la máquina.
2. NO PERMITA que los niños permanezcan en la zona cuando esté funcionando la máquina y DESCONÉCTELA si cualquier persona entra en la zona.
3. NO PERMITA que los niños con edad inferior a la debida utilicen la máquina.
4. PERMITA ÚNICAMENTE que adultos responsables y adolescentes con madura capacidad de juicio y bajo la cercana supervisión de un adulto utilicen la máquina.
5. NO RETROCEDA con el cortacésped a menos que sea absolutamente necesario. COMPRUEBE que no haya ningún niño, mascota u objeto peligroso detrás o debajo de la máquina antes y durante la marcha atrás.
6. TENGA ESPECIAL CUIDADO al acercarse a esquinas ciegas, arbustos, árboles u otros objetos que puedan obstaculizar la visión.

## FUNCIONAMIENTO EN PENDIENTES

1. Las pendientes son un factor principal en los accidentes por deslizamientos caídas, que pueden resultar en graves lesiones. Las pendientes de toda clase exigen la mayor precaución. Si no se siente seguro sobre una pendiente, no utilice el cortacésped sobre ella.
2. En las pendientes, utilice el cortacésped a lo ancho, nunca de arriba a abajo. Tenga extremo cuidado cuando cambie de dirección en pendientes. NO UTILICE el cortacésped en pendientes pronunciado ni en otras zonas en que la estabilidad o la capacidad de tracción sean inciertas. Consulte la Guía para Pendientes que encontrará en la parte trasera de este manual.
3. Tenga especial cuidado con los recogedores de hierba u otros accesorios: afectan a la conducción y a la estabilidad de la máquina.

## PREPARACIÓN

1. Lea, entienda y siga las instrucciones y advertencias contenidas en este manual y sobre el cortacésped, el motor y los elementos adjuntos. Debe conocer los controles y la forma de utilización del cortacésped adecuada antes de empezar.
2. Solamente deberán manejar la máquina personas maduras y responsables y después de haber sido debidamente instruidas.
3. Los datos indican que los usuarios de 60 o más años están implicados en un amplio porcentaje de las lesiones relacionadas con el uso de cortacéspedes. Estos usuarios deberán evaluar su capacidad de manejar la máquina con seguridad antes de manejarla para protegerse a sí mismos y a los demás de lesiones.
4. Manipule el carburante con especial precaución. Los carburantes son inflamables y sus vapores son explosivos. Utilice solamente un recipiente homologado para el carburante. NO retire la tapa del carburante ni añada carburante con el motor funcionando.

## REPARACIÓN

### (Continuación de la columna previa)

- Añada carburante únicamente en exteriores y con el motor parado y frío. Limpie el combustible y aceite derramados sobre la máquina. NO fume.
5. Compruebe la zona en la que va a cortar el césped y retire todos los objetos como juguetes, cables, piedras, ramas y otros elementos que puedan causar lesiones si son lanzados por la cuchilla o interfieren con el funcionamiento del cortacésped. Tenga en cuenta también la ubicación de agujeros, troncos cortados y otros posibles peligros.
  6. Mantenga a personas y animales domésticos fuera de la zona de corte. DETENGA de forma inmediata la cuchilla, el motor y el cortacésped si cualquier persona entra en la zona.
  7. Compruebe con frecuencia el funcionamiento y la ubicación de protecciones, deflectores, interruptores, controles de la cuchilla y otros dispositivos de seguridad.
  8. Asegúrese de que todas las etiquetas de seguridad se leen con claridad. Sustitúyalas por otras si están dañadas.
  9. Protéjase cuando corte el césped y use gafas protectoras, pantalones largos y calzado consistente. NO CORTE el césped con los pies desnudos o con sandalias.
  10. Debe saber como DETENER la cuchilla y el motor con rapidez ante cualquier emergencia.
  11. Tenga especial cuidado cuando cargue o descargue la máquina de camiones o furgonetas.
  12. Compruebe con frecuencia los componentes del recogedor de hierba en busca de signos de desgaste o deterioro y repóngalos según sea necesario para evitar lesiones producidas por el lanzamiento de objetos a través de puntos débiles o desgarrados.

## MANIPULACIÓN SEGURA DE LA GASOLINA

Para evitar lesiones personales o daños en los bienes, tenga especial cuidado cuando manipule gasolina. La gasolina es extremadamente inflamable y sus vapores son explosivos.

1. Apague todos los cigarrillos, puros, pipas y cualquier otra fuente de ignición
2. Utilice solamente un recipiente homologado para el carburante.
3. NO retire la tapa del carburante ni añada carburante con el motor en funcionamiento. Deje que el motor se enfríe antes de reponer el combustible.
4. NO ponga carburante en la máquina en espacios interiores.
5. NO guarde la máquina ni el recipiente de carburante en lugares en los que haya llamas, chispas o luces pilotos como las de los calentadores de agua u otros dispositivos.
6. NO llene recipientes de carburante en el interior de vehículos o sobre un camión o trailer con revestimientos de plástico. Coloque siempre los recipientes sobre el suelo y apartados del vehículo, antes de llenarlos.

## MANIPULACIÓN SEGURA DE LA GASOLINA

### (Continuación de la página anterior)

7. Retire del vehículo o camión del equipamiento que se alimente de gasolina y reponga el carburante sobre el suelo. Si esto no fuese posible, reponga el carburante del equipo utilizando un contenedor portátil y no con boquillas dosificadoras de gasolina.
8. NO encienda equipos alimentados por gas dentro de vehículos o camiones cerrados.
9. Mantenga la boquilla en contacto con el borde de la boca del tanque o recipiente de combustible en todo momento y hasta haber completado el llenado. NO use un dispositivo con la boquilla abierta.
10. Si se derrama carburante sobre la ropa, cámbiese de inmediato.
11. NO llene demasiado el tanque de combustible. Vuelva a colocar la tapa del depósito y ajústela firmemente.

## FUNCIONAMIENTO

1. NO coloque las manos o pies cerca o debajo de piezas giratorias. Mantenga despejada la zona de descarga mientras el motor esté en marcha.
2. DETENGA el motor cuando atraviese zonas, paseos o caminos de grava o en cualquier situación en que puedan lanzarse objetos que constituyan un peligro.
3. Utilice el cortacésped únicamente en horas de luz o con suficiente luz artificial.
4. NO utilice la unidad cuando se halle bajo los efectos del alcohol o de drogas.
5. Si golpea un objeto extraño o el cortacésped vibra de forma anormal, DETENGA el motor y desconecte y asegure el cable de la bujía. Inspeccione el cortacésped en busca de posibles daños y, si es el caso, repárelos antes de volver a arrancarlo.
6. NO utilice el cortacésped cerca de bajadas, zanjas o terraplenes. El operador podría dejar de hacer pie o perder el equilibrio.
7. MANTÉNGASE ALERTA por si hubiese agujeros u otros peligros ocultos. La hierba alta puede ocultar obstáculos. Manténgase lejos de cunetas, desniveles, alcantarillas, vallas y objetos que sobresalgan.
8. NO utilice el cortacésped sobre hierba húmeda. Cerciórese siempre de hacer pie. Mantenga asido con fuerza el mango y avance lentamente, sin correr. Perder el pie puede causar accidentes que produzcan lesiones.
9. Manténgase siempre detrás del mango cuando el motor esté en funcionamiento.
10. NO abandone la máquina con el motor en marcha. DETENGA LA CUCHILLA y PARE EL MOTOR antes de abandonar por cualquier razón el puesto de operador.
11. Antes de limpiar, reparar o inspeccionar, cerciórese de que se hayan DETENIDO el motor, la cuchilla y todas las partes móviles. Desconecte y asegure el cable de la bujía lejos del conector para evitar arranques accidentales.
12. DETENGA el motor y espere hasta que la cuchilla que completamente DETENIDA antes de retirar la bolsa de hierba y/o retirar la hierba.
13. NO haga funcionar el cortacésped sin el recogedor de hierba, sin los protectores colocados en la protección de descarga, y sin que la protección posterior u otros dispositivos de seguridad estén en su lugar y en funcionamiento. NO apunte la descarga hacia personas, coches que pasen, ventanas o puertas.

## FUNCIONAMIENTO

### (Continuación de la columna previa)

14. NO descargue materiales contra paredes u obstáculos. Los materiales puede rebotar hacia el usuario.
15. Reduzca la velocidad antes de realizar giros.
16. Tenga cuidado con el tráfico cuando esté cerca una calzada o la esté cruzando.
17. NO haga funcionar el motor en zonas cerradas. Los gases del tubo de escape del motor contienen monóxido de carbono, un veneno letal.
18. Utilice únicamente accesorios aprobados por el fabricante. Consulte las instrucciones del fabricante para obtener información sobre el funcionamiento y la instalación de accesorios.

## MANTENIMIENTO Y ALMACENAMIENTO

1. NO almacene el cortacésped ni el contenedor de combustible en interiores en que los humos puedan alcanzar llamas expuestas, chispas o luces piloto como las de los calentadores de agua, hornos u otros dispositivos que utilicen combustibles. Deje que el motor se enfríe antes de guardar la máquina en un lugar cerrado. Almacene el contenedor de combustible fuera del alcance de los niños en una construcción ventilada desocupada.
2. Mantenga el cortacésped y su motor libre de hierba, hojas o exceso de grasa para reducir el riesgo de incendio y el sobrecalentamiento del motor.
3. Cuando drene el depósito del carburante, vacíe el carburante en un contenedor homologado y hágalo en espacios exteriores y lejos de llamas abiertas.
4. Mantenga precedentemente ajustados todos los pernos, especialmente los pernos de la cuchilla, tuercas y tornillos. Compruebe que todos los pernos de seguridad estén en la posición adecuada.
5. Procure que haya siempre la ventilación adecuada antes de poner el motor en funcionamiento. Los gases del tubo de escape del motor contienen monóxido de carbono, un veneno letal.
6. Repare o ajuste el motor solamente cuando no esté funcionando. Retire el cable de la bujía de la bujía y asegúrelo lejos de la bujía para evitar el arranque accidental.
7. NO cambie los ajustes de velocidad del regulador del motor ni le de velocidad de más al motor.
8. Compruebe la junta de la bolsa de hierba por si tuviese desgastes o signos de deterioro para evitar que salgan despedidos objetos y la exposición de partes móviles. Sustitúyala por una nueva bolsa si aparecen costuras sueltas o desgarramientos. Sustituya el dispositivo deslizando o el adaptador de la bolsa si aparece roto o agrietado.
9. Las cuchillas del cortacésped son afiladas y pueden producir cortes. Envuelva las cuchillas o utilice guantes de cuero resistentes y extreme la PRECAUCIÓN cuando las manipule.
10. NO compruebe la existencia de chispas basando la bujía junto al orificio de la bujía; la chispa podrá hacer que se quemé la gasolina que salga del motor.
11. Realice el mantenimiento de la máquina a través de un distribuidor al menos una vez al año y haga que el distribuidor le instale todos los dispositivos de seguridad nuevos.
12. Solamente debe utilizar piezas de repuesto autorizadas por la fábrica o piezas de repuesto similares en el momento de realizar reparaciones.

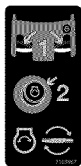
# Seguridad del usuario

## Etiquetas transparentes de seguridad y funcionamiento

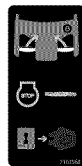
La lectura de este manual y las instrucciones de seguridad que contiene le proporcionarán todo lo que necesita saber para manejar este cortacésped de un modo seguro y eficaz. Sin embargo, el cortacésped también tiene pegadas etiquetas de seguridad y funcionamiento que sirven para recordarle información importante durante el funcionamiento.

Las etiquetas incluidas a continuación están pegadas en el cortacésped. Las advertencias de seguridad y las instrucciones de funcionamiento que incluyen deben leerse, entenderse y respetarse cuidadosamente. **Si no se siguen estas importantes advertencias e instrucciones pueden producirse lesiones físicas graves o la muerte.**

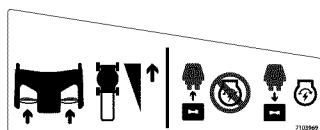
Si alguna de estas etiquetas transparentes se perdiese o dañase, sustitúyala inmediatamente. Póngase en contacto con su agente para obtener pegatinas de sustitución.



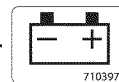
Arranque del cortacésped  
Nº Pieza 7103967



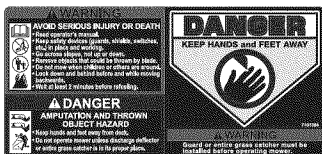
Detención del cortacésped  
Nº Pieza 7103968



Control de transmisión/Llave de acceso  
Nº Pieza 7103969



Carga de la batería  
Nº Pieza 7103970

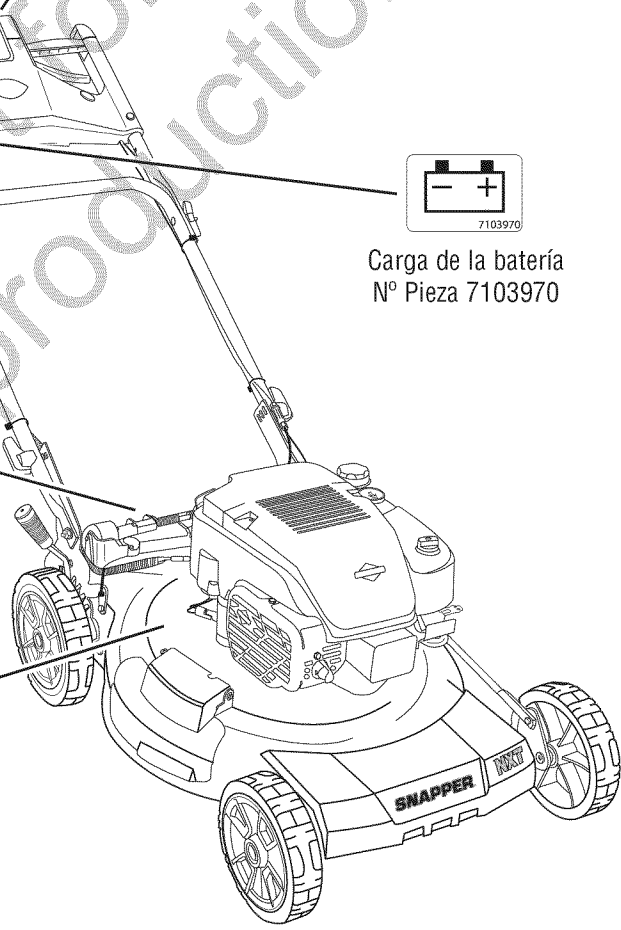


Advertencias de seguridad  
Nº Pieza 7101394 (7800580)  
7101671 (7800696)



Mantenga alejados manos y pies  
Nº Pieza 7013010 (7800580)  
7101495 (7800696)

Reproduction



## Explicación del significado de las etiquetas de seguridad



A. ADVERTENCIA: Evite la muerte o lesiones graves



Lea el manual del usuario antes de intentar usar el cortacésped.



En las pendientes, utilice el cortacésped a lo ancho, nunca de arriba a abajo.



Para evitar que se produzcan lesiones en las personas de alrededor, no corte el césped cuando los niños u otras personas estén en los alrededores.



Para reducir el riesgo de incendio, espere al menos 2 minutos antes de reponer el combustible.

PELIGRO: Riesgo de amputaciones y de lanzamiento de objetos.



Para evitar lesiones graves o la muerte, mantenga las manos y los pies alejados de la cubierta del cortacésped en todo momento durante el funcionamiento.

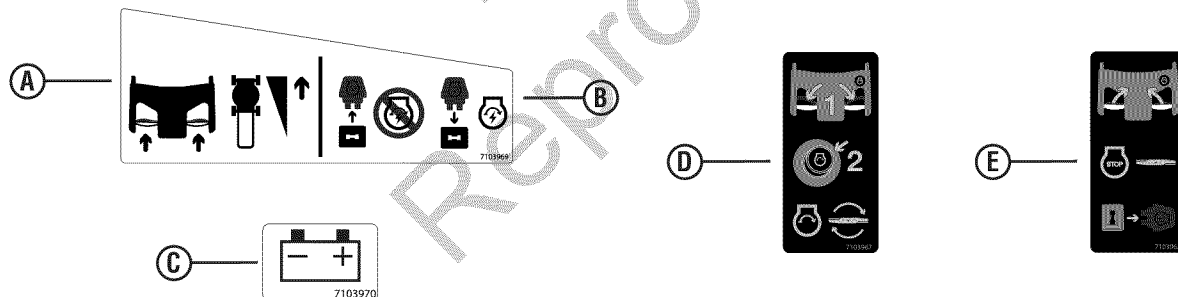


Para evitar lesiones provocadas por los objetos que pueden salir despedidos, no use el cortacésped a menos que todos los componentes de la trituradora, el dispositivo de descarga o la bolsa estén situados correctamente.

C. PELIGRO: Mantenga alejados manos y pies.

D. ADVERTENCIA: Se debe instalar el protector o recogedor de hierba antes de poner en funcionamiento el cortacésped.

## Explicación del significado de las etiquetas de funcionamiento



A. Control de transmisión

- Oprima el control de transmisión hacia delante para propulsar al cortacésped. Presione el control de transmisión más hacia delante para aumentar la velocidad de avance.

B. Llave de acceso

- Quite la llave de acceso para evitar que el cortacésped arranque.
- Instale la llave de acceso para activar el arranque del cortacésped.

C. Carga de la batería

- Indica la ubicación del puerto de carga de la batería.

D. Arranque del cortacésped

1. Apriete el control de la cuchilla contra el control de transmisión y tire del control de transmisión totalmente hacia atrás.
2. Oprima el botón de arranque.
  - El motor arrancará.

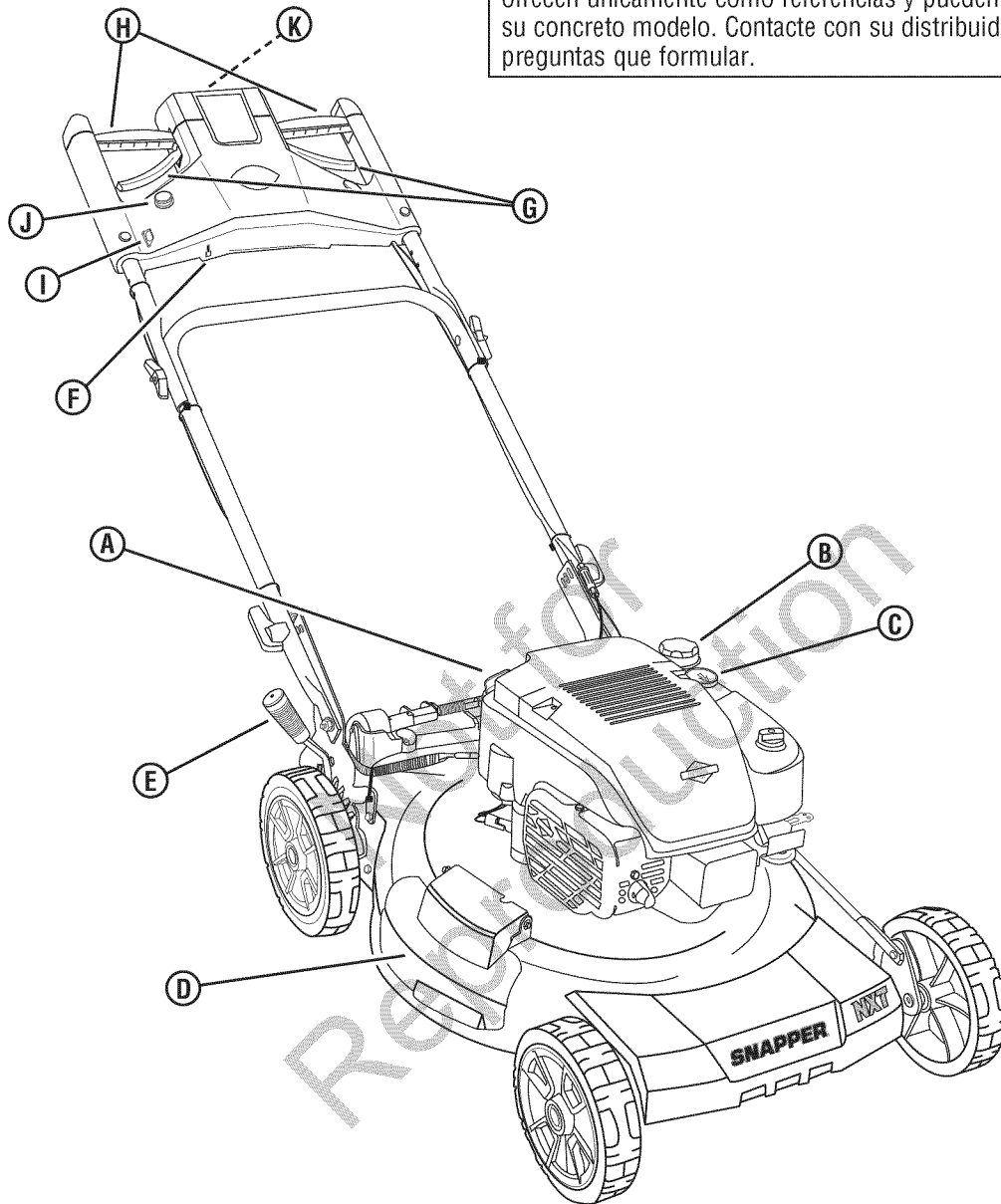
E. Detención del cortacésped

- Libere el control de la cuchilla.
- El motor se detendrá.
- Quite la llave de acceso para evitar que el cortacésped arranque.

## Características y mandos

### IMPORTANTE

Los dibujos e ilustraciones contenidas en este manual se ofrecen únicamente como referencias y pueden diferir de su concreto modelo. Contacte con su distribuidor si tiene preguntas que formular.



- A. Tapa del depósito del aceite y varilla indicadora
- B. Tapa del depósito de combustible
- C. Indicador de combustible
- D. Tapa de la desmenuzadora
- E. Palanca de ajuste de altura de corte

- F. Puerto de carga de la batería
- G. Control de cuchillas (2)
- H. Control de transmisión (2)
- I. Llave de acceso
- J. Botón de arranque
- K. Recordatorio de mantenimiento



## Antes de empezar

1. Compruebe que todas las protecciones, los deflatores, la bolsa para la hierba y las cubiertas estén en su lugar y sujetas.
2. Revise el control de la cuchilla (**A, Figura 1**) y el control de transmisión (**B**) para asegurarse de que funcionan sin ningún tipo de obstrucción.

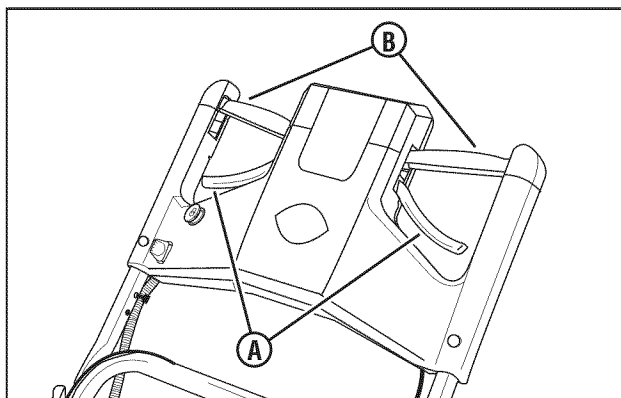


Figura 1: Controles del cortacésped

3. Revise la altura de corte. Ajuste la altura deseada. Consulte la sección titulada "Ajuste de altura de corte".
4. Compruebe el aceite en el motor:
  - Asegúrese de que el cortacésped se encuentre en una superficie nivelada.
  - Limpie cualquier suciedad que exista en el área de llenado del aceite.
  - Saque la varilla de nivel de aceite (**A, Figura 2**) y límpiela con un paño limpio.
  - Inserte y apriete la varilla de nivel de aceite.
  - Saque la varilla y compruebe el nivel del aceite. Debe estar en la parte superior del indicador de lleno (**B**) de la varilla.
  - Si el nivel es bajo, añada aceite (se recomienda aceite para cortacéspedes SAE30 con certificado de garantía Briggs & Stratton SAE30) lentamente al depósito del aceite del motor. **No llene el depósito en exceso.** Después de añadir aceite, espere un minuto y luego vuelva a revisar el nivel de aceite.
  - Vuelva a meter y apriete la varilla de nivel de aceite.

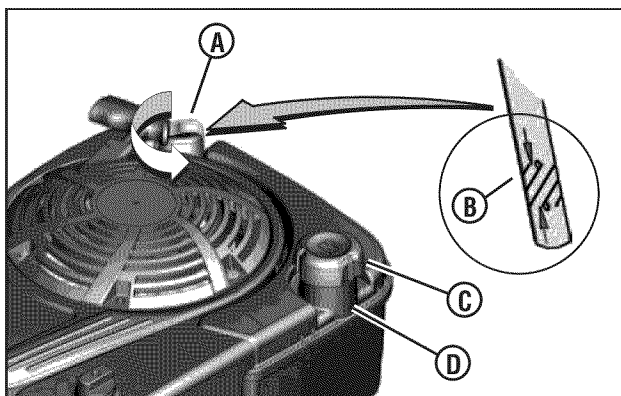


Figura 2: Llenado de aceite y combustible

5. Añada combustible al depósito:
  - Asegúrese de que el cortacésped esté al aire libre, donde los humos puedan dispersarse de un modo seguro.
  - Retire la tapa del depósito de combustible (**C, Figura 2**).
  - Llene el depósito con combustible. Consulte la sección titulada "Recomendaciones sobre combustible". Para permitir que el combustible se expanda, no lleve el depósito por encima de la parte inferior del cuello del tanque de combustible (**D**).
  - Vuelva a instalar la tapa del tanque de combustible.
6. Limpie la acumulación de combustible derramado, suciedad, hierba, aceite, etc. que pueda haber en las superficies exteriores de la cubierta de corte y del motor. Mantenga la rejilla de entrada de aire del motor y las aletas de refrigeración limpias en todo momento.
7. Cargue la batería. Consulte la sección titulada "Carga de la batería".

## Recomendaciones sobre combustible

### El combustible debe cumplir estos requisitos:

- Gasolina nueva y sin plomo con
- Un mínimo de 87 octanos/87AKI (90 RON).
- La gasolina con un máximo del 10% de etanol (gasohol) o un máximo del 15% de MTBE (acetato de metiléter de propilenglicol).
- **PRECAUCIÓN:** NO utilice gasolinas no homologadas, como es el caso de E85. No haga mezclas con las gasolina ni realice modificaciones en el motor para hacerlo funcionar con otros combustibles. Hacer tal cosa dañaría los componentes del motor y **anularía la garantía del motor.**

El motor de este equipo está certificado para funcionar con gasolina. El sistema de control de emisiones para este motor es EM (Modificaciones de motores).

### Altitudes altas

A altitudes superiores a los 1524 metros (5.000 pies), es aceptable una gasolina de 85 octanos/85 AKI (89 RON). Para respetar los límites sobre emisiones, se necesitan realizar ajustes en el caso de altitudes altas. El funcionamiento sin este ajuste supondrá una pérdida de rendimiento, un mayor consumo de combustible y unas mayores emisiones. No se recomienda hacer funcionar el motor con el kit para altitudes altas a altitudes inferiores a los 762 metros (2.500 pies).

## Operación

### Encendido del cortacésped

El motor de este cortacésped está equipado con un sistema ReadyStart®, que incorpora un estrangulador automático controlado por temperatura. No dispone de un estrangulador manual o un cebador.

1. Enchufe la llave de acceso (A, Figura 3) en la ranura de conexión de la consola de control.
2. Apriete el control de la cuchilla (B) contra el control de transmisión (C).
3. Tire del control de transmisión totalmente hacia atrás hasta llevarlo a la posición de punto muerto.

**NOTA:** El control de la cuchilla y el control de transmisión pueden manejarse desde cualquier lado.

4. Oprima el botón de arranque (D) para arrancar el motor.
5. Para detener el motor (y la cuchilla), libere el control de la cuchilla.
6. Después de que arranque el motor, espere un poco a que se caliente hasta que el motor funcione de manera suave antes de poner en funcionamiento el cortacésped.

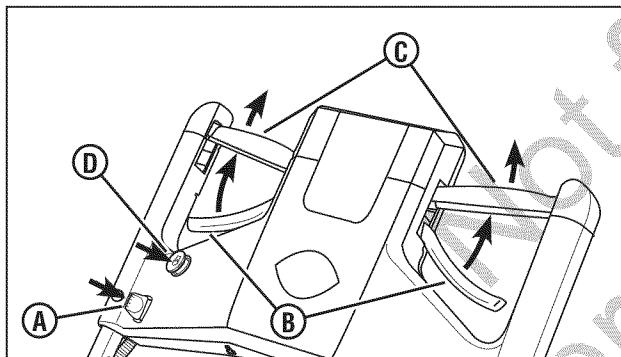


Figura 3: Encendido del cortacésped

### Propulsión del cortacésped

1. Arranque el motor.
2. Comience oprimiendo lentamente el control de transmisión (A, Figura 4) hacia delante para propulsar el cortacésped. La velocidad de desplazamiento puede aumentarse oprimiendo el control de transmisión más hacia delante.

**NOTA:** El control de transmisión puede manejarse desde cualquier lado.

**IMPORTANTE:** Después del uso inicial, es posible que necesite ajustarse el control de la transmisión. Consulte la sección titulada "Ajuste del control de la transmisión".

### Detención del cortacésped

1. Detenga el movimiento de avance del cortacésped tirando del control de transmisión totalmente hacia atrás.
2. Para detener el motor (y la cuchilla), libere el control de la cuchilla.
3. Quite la llave de acceso de la consola de control.

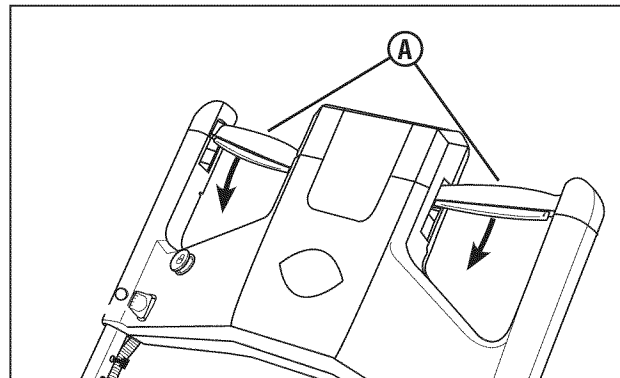


Figura 4: Propulsión del cortacésped

**⚠ ADVERTENCIA ⚠**  
Para evitar un arranque no autorizado, siempre quite la llave de acceso cuando deja el cortacésped sin vigilar.

### Ajuste de altura del mango

**⚠ ADVERTENCIA ⚠**  
NO intente realizar ningún tipo de mantenimiento o ajuste con el motor y la cuchilla en funcionamiento. DETENGA el motor y la cuchilla. Quite la llave de acceso. Desconecte el cable de la bujía y manténgalo alejado de la bujía. El motor y los componentes están CALIENTES. Para evitar quemaduras graves, espere suficiente tiempo a que todos los componentes se enfríen.

Para que el usuario goce de una mayor comodidad, la altura del mango del cortacésped puede ajustarse.

1. Retire las perillas y los pernos de cabeza de hongo asegurando la manilla inferior (A, Figura 5) hacia los soportes de montaje (B).
2. Alinee los orificios del conjunto de la manilla con uno de los tres orificios de ajuste de altura de la manilla en el soporte de montaje.
3. Vuelva colocar la pieza metálica retirada y ajústela firmemente.

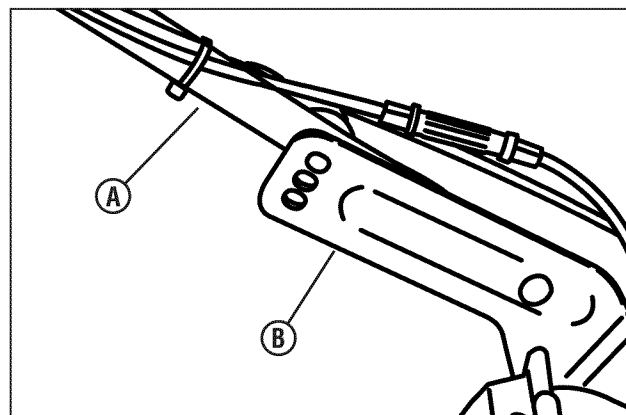


Figura 5: Ajuste de la altura del mango

## Ajuste de altura de corte

**⚠ ADVERTENCIA ⚠**  
 NO intente realizar ningún tipo de mantenimiento o ajuste con el motor y la cuchilla en funcionamiento. **DETEGA** el motor y la cuchilla. Quite la llave de acceso. Desconecte el cable de la bujía y manténgalo alejado de la bujía. El motor y los componentes están **CALIENTES**. Para evitar quemaduras graves, espere suficiente tiempo a que todos los componentes se enfríen.

Tire de la palanca de ajuste de la altura de corte (**A**, **Figura 6**) hacia fuera y muévala hasta la altura de corte deseada. La posición de corte más alta es la Muesca 1 (**Figura 7**). La palanca fijará todas las ruedas en la misma altura de corte.

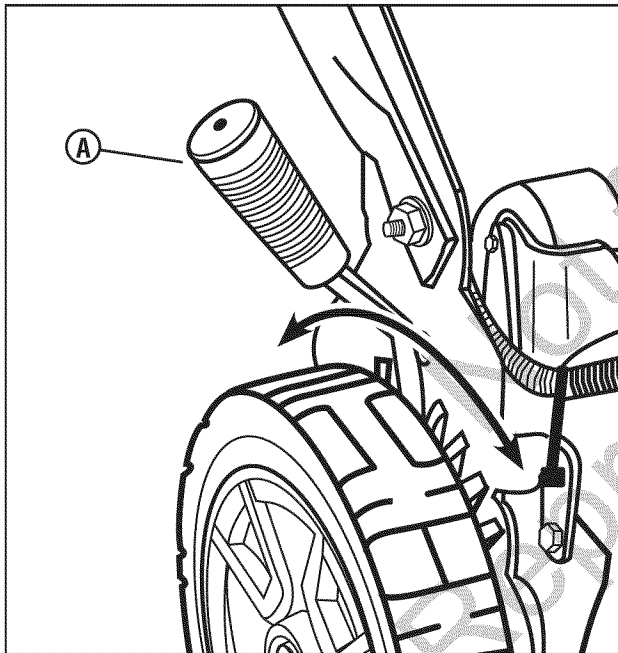


Figura 6: Ajuste de altura de corte

## Funcionamiento de la desmenuzadora

Para obtener los mejores resultados de la desmenuzadora, corte hasta un máximo de 1/3 de la altura de la hierba y recicle **SÓLO** cuando la hierba esté seca.

1. Asegúrese de que el deflector de descarga y la bolsa para hierba estén quitados y que el tapón de cubrición de suelos esté instalado.
2. Fije la palanca de ajuste de la altura de corte en la posición de corte más alta (Muesca 9).
3. Comience a cortar el césped lentamente. Baje gradualmente la altura de corte para obtener la mejor combinación de rendimiento de corte y triturado. Si corta demasiada hierba en una pasada, o corta césped muy húmedo, la cubierta del cortacésped puede atascarse.

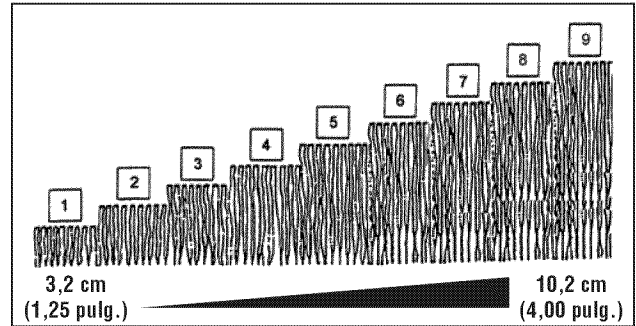


Figura 7: Valores de altura de corte (aproximados)

## Instalación del deflector de descarga

**⚠ ADVERTENCIA ⚠**  
 NO intente realizar ningún tipo de mantenimiento o ajuste con el motor y la cuchilla en funcionamiento. **DETEGA** el motor y la cuchilla. Quite la llave de acceso. Desconecte el cable de la bujía y manténgalo alejado de la bujía. El motor y los componentes están **CALIENTES**. Para evitar quemaduras graves, espere suficiente tiempo a que todos los componentes se enfríen.

1. Levante la tapa de la desmenuzadora (**A**, **Figura 8**).
2. Instale el deflector (**B**) en la cubierta debajo de la cubierta de la desmenuzadora, asegurándose de que las lengüetas de bloqueo de la cubierta (**C**) pasen por las ranuras del deflector (**B**).
3. Baje la tapa de la trituradora contra el deflector.

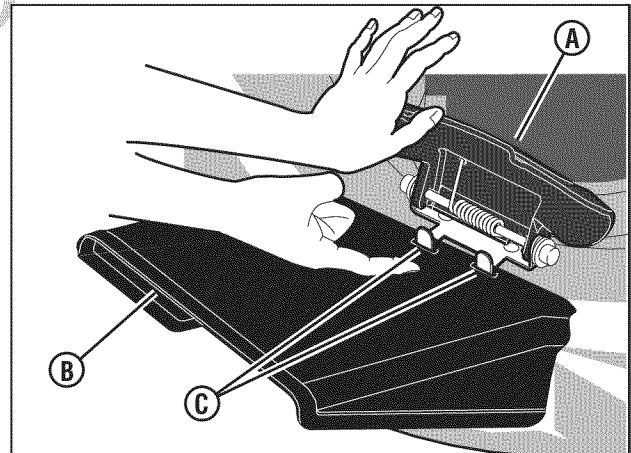


Figura 8: Instalación del deflector de descarga

## Operación

### Instalación de la bolsa de césped



#### ADVERTENCIA



NO intente realizar ningún tipo de mantenimiento o ajuste con el motor y la cuchilla en funcionamiento. DETENGA el motor y la cuchilla. Quite la llave de acceso. Desconecte el cable de la bujía y manténgalo alejado de la bujía. El motor y los componentes están CALIENTES. Para evitar quemaduras graves, espere suficiente tiempo a que todos los componentes se enfríen.

**Importante:** El tapón de cubrición de suelos debe quitarse únicamente cuando se desee la aspiración del césped para meterlo en la bolsa y debe volver a colocarse tan pronto como finalice esta operación.

1. Levante la puerta de descarga posterior (**A**, **Figura 9**).
2. Quite el tapón de cubrición de suelos (**B**) del conducto de descarga trasero.

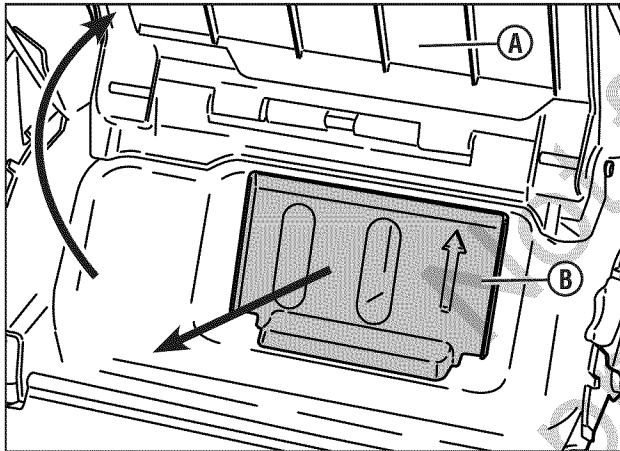


Figura 9: Extracción del tapón de cubrición

3. Agarrando el mango de la bolsa para hierba (**A**, **Figura 10**), instale la bolsa para hierba en el cortacésped asegurándose de que los ganchos de la bolsa (**B**) estén enganchados en la varilla del eje de la puerta posterior (**C**).

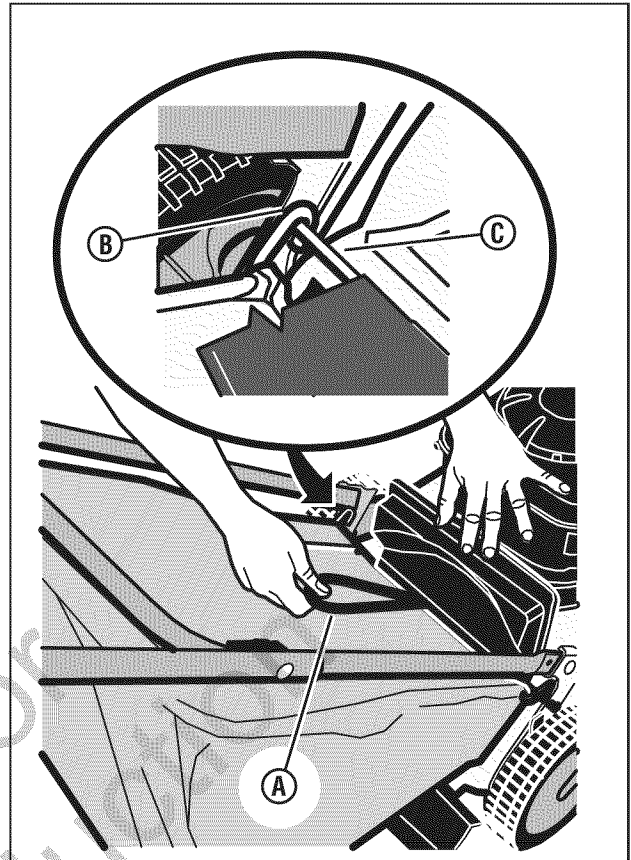


Figura 10: Instalación de la bolsa de césped



#### ADVERTENCIA



Las bolsas del receptor de césped están fabricadas con tela tejida y están sometidas al deterioro y el desgaste durante su uso normal. Revise el estado de la bolsa antes de usarla. Sustituya inmediatamente las bolsas del receptor que estén desgastadas o dañadas con bolsas exclusivamente recomendadas por el fabricante. El receptor de césped es un equipo opcional en algunos modelos.

## Carga de la batería

La batería de este cortacésped está sellada y no necesita ningún tipo de mantenimiento distinto de la carga. Si la batería no acepta ninguna carga, lleve el cortacésped a un centro de mantenimiento autorizado para que sea reparada.

1. Con la ayuda del cargador suministrado, enchufe el conector del cargador en el puerto de carga de la batería (**A, Figura 11**). Enchufe el cargador en un tomacorriente y cargue la batería durante 12-24 horas. (Si la tiene cargando durante más tiempo, la batería resultará dañada.)

**Importante:** Use solamente el cargador suministrado con el cortacésped para cambiar la batería. Si utiliza un cargador diferente, ello puede dañar la batería y/o el cortacésped.

2. Una vez se haya completado la carga, desenchufe y guarde el cargador.

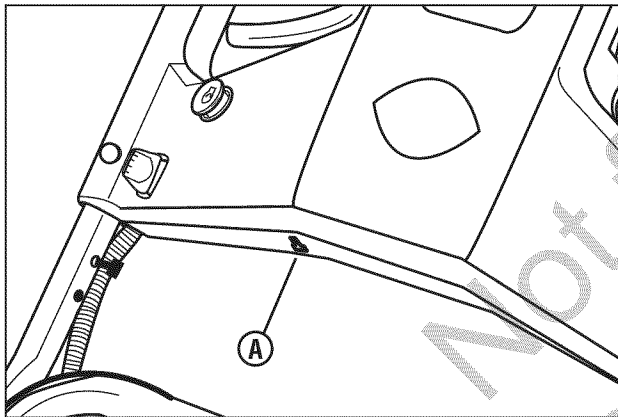


Figura 11: Puerto de carga de la batería

	<b>ADVERTENCIA</b>	
<p>Mantenga cualquier chispa, llama o fuego alejados del área donde se realiza la carga de la batería. Nunca use cargadores "AUMENTADORES" con la batería.</p>		

# Operación

## Recordatorio de mantenimiento

El recordatorio de mantenimiento (**A**, **Figura 12**) le recuerda en el momento justo cuándo debe realizar operaciones de mantenimiento importante. Dispone de seis modos de visualización:

### Horas totales

Muestra las horas totales que ha trabajado el cortacésped. Ésta es la pantalla predeterminada.

### Horas de desactivación

Para visualizar:

Presione el botón "Mode" (Modo) (**B**) hasta que aparezca la pantalla "Trip Hours" (Horas de desactivación).

Para restablecer:

Presione y mantenga presionado el botón "Reset" (Restablecer) (**C**) durante más de 3 segundos.

### Reloj

Para visualizar:

Presione el botón "Mode" (Modo) hasta que aparezca la pantalla "Clock" (Reloj).

Para ajustar:

1. Presione y mantenga presionado el botón "Mode" (Modo) durante más de 3 segundos. La pantalla de la hora pardeará.
2. Presione el botón "Reset" (Restablecer) para ajustar la hora correcta.
3. Presione el botón "Mode" (Modo). La pantalla de los minutos pardeará.
4. Presione el botón "Reset" (Restablecer) para ajustar los minutos correctos.
5. Presione y mantenga presionado el botón "Mode" (Modo) durante más de 3 segundos para guardar el tiempo ajustado.

### Cambiar el aceite

El icono "Change Oil" (Cambiar aceite) (**D**) aparecerá después de las primeras 5 horas (horas totales) de funcionamiento y después cada 25 horas de funcionamiento. Esto indica que es el momento de cambiar el aceite. Asegúrese de seguir los procedimientos descritos en este manual.

Para restablecer:

1. Presione el botón "Mode" (Modo) hasta que aparezca la pantalla "Change Oil" (Cambiar aceite). (El icono parpadeará.)
2. Presione y mantenga presionado el botón "Reset" (Restablecer) durante más de 3 segundos.

*NOTA:* Si no se restablece, el icono "Change Oil" (Cambiar aceite) desaparecerá automáticamente después de 3 horas de funcionamiento.

### Bujía

El icono "Spark Plug" (Bujía) (**E**) aparecerá cada 50 horas (horas totales) de funcionamiento. Esto indica que es el momento de cambiar la bujía. Asegúrese de seguir los procedimientos descritos en este manual.

Para restablecer:

1. Presione el botón "Mode" (Modo) hasta que aparezca la pantalla "Spark Plug" (Bujía). (El icono parpadeará.)
2. Presione y mantenga presionado el botón "Reset" (Restablecer) durante más de 3 segundos.

*NOTA:* Si no se restablece, el icono "Spark Plug" (Bujía) desaparecerá automáticamente después de 3 horas de funcionamiento.

### Filtro de aire

El icono "Air Filter" (Filtro del aire) (**F**) aparecerá cada 50 horas (horas totales) de funcionamiento. Esto indica que es el momento de cambiar el filtro del aire. Asegúrese de seguir los procedimientos descritos en este manual.

Para restablecer:

1. Presione el botón "Mode" (Modo) hasta que aparezca la pantalla "Air Filter" (Filtro del aire). (El icono parpadeará.)
2. Presione y mantenga presionado el botón "Reset" (Restablecer) durante más de 3 segundos.

*NOTA:* Si no se restablece, el icono "Air Filter" (Filtro del aire) desaparecerá automáticamente después de 3 horas de funcionamiento.

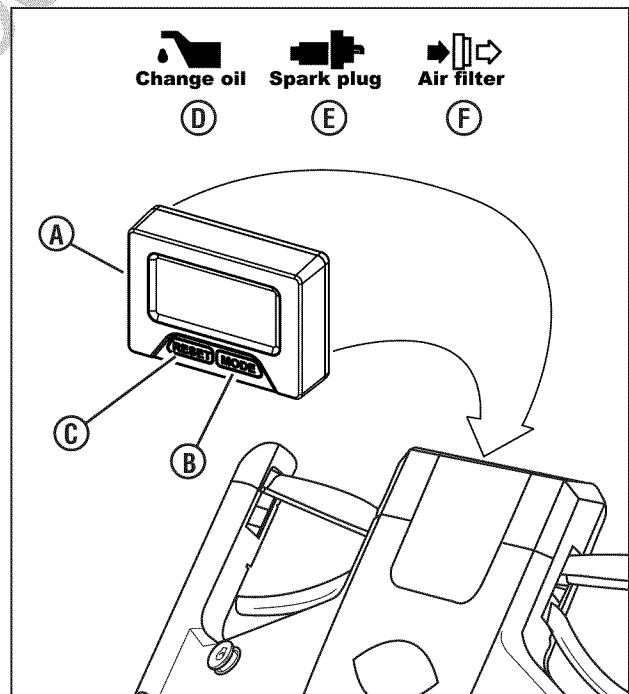


Figura 12: Recordatorio de mantenimiento

## Tabla de mantenimiento



### ADVERTENCIA



NO intente realizar ningún tipo de mantenimiento o ajuste con el motor y la cuchilla en funcionamiento. DETENGA el motor y la cuchilla. Quite la llave de acceso. Desconecte el cable de la bujía y manténgalo alejado de la bujía. El motor y los componentes están CALIENTES. Para evitar quemaduras graves, espere suficiente tiempo a que todos los componentes se enfríen. Lleve guantes de piel gruesos cuando manipule o trabaje cerca de las cuchillas. Las cuchillas están extremadamente afiladas y pueden ocasionar heridas graves.

CORTACÉSPED
<b>Cada 8 horas o diariamente</b>
Revisar el sistema de bloqueo de seguridad
Limpiar los desechos del cortacésped
<b>Cada 25 horas o anualmente *</b>
Revisar cortacésped por si tuviesen piezas sueltas
<b>Consulte al distribuidor cada año para</b>
Lubricar el cortacésped
Revisar la cuchilla del cortacésped **
Comprobar el tiempo de detención de las cuchillas de la segadora
Revisar la correa de transmisión
Limpiar la batería y el cableado

\* Lo que ocurra en primer lugar

\*\*Revise la cuchilla más a menudo en regiones que tengan suelos arenosos y en condiciones en las que exista mucho polvo.

### Control de emisiones

El mantenimiento, sustitución o reparación de los dispositivos y sistemas de control de emisiones puede ser realizado por cualquier establecimiento o especialista en reparación de motores que no sean de carretera. Sin embargo, para conseguir un servicio de control de emisiones "sin costo", un distribuidor autorizado de fábrica debe realizar el trabajo. Consulte la garantía sobre emisiones.

MOTOR
<b>Primeras 5 horas</b>
Cambiar el aceite del motor
<b>Cada 8 horas o diariamente</b>
Comprobar el nivel de aceite del motor
<b>Cada 25 horas o anualmente *</b>
Limpiar el filtro y el depurador de aire del motor (si lo tiene) **
<b>Cada 50 horas o anualmente *</b>
Cambiar el aceite del motor
Reemplazar el filtro de aceite (si lo tiene)
<b>Anualmente</b>
Sustituir el filtro de aire
Reemplazar el filtro de aceite (si lo tiene)
<b>Consulte al distribuidor cada año para</b>
Inspeccionar el silenciador y la pantalla antichispas (si lo tiene)
Sustituir la bujía
Reemplazar el filtro del combustible (si lo tiene)
Limpiar el sistema de refrigeración de aire del motor

\* Lo que ocurra en primer lugar

\*\*En condiciones en las que exista polvo o suciedad en forma de partículas en suspensión, limpiar más a menudo.

## Mantenimiento

### Cambiar el aceite del motor



#### ADVERTENCIA



NO intente realizar ningún tipo de mantenimiento o ajuste con el motor y la cuchilla en funcionamiento. DETENGA el motor y la cuchilla. Quite la llave de acceso. Desconecte el cable de la bujía y manténgalo alejado de la bujía. El motor y los componentes están CALIENTES. Para evitar quemaduras graves, espere suficiente tiempo a que todos los componentes se enfríen.

1. Drene completamente el depósito.
2. Saque la varilla del aceite (**A, Figura 13**) y luego incline el cortacésped sobre su lado. Espere a que el aceite salga del tubo del aceite y se vierta sobre un contenedor apropiado. Deshágase del aceite usado correctamente.
3. Coloque recto el cortacésped y llene el motor con aceite para motor hasta la marca que indica "lleno" de la varilla. Se recomienda usar aceite para cortacésped SAE30 con certificado de garantía Briggs & Stratton. **No llene el depósito en exceso.**

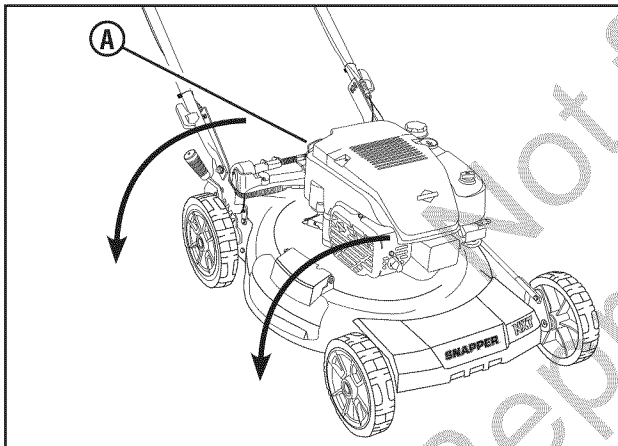


Figura 13: Drenaje del aceite del motor

### Haga el mantenimiento del filtro de aire



#### ADVERTENCIA



Nunca arranque o haga funcionar el motor con el conjunto del filtro de aire (si lo tiene) o el filtro de aire (si lo tiene) quitados.

**NOTA:** No utilice aire presurizado o disolventes para limpiar el filtro. El aire presurizado puede dañar el filtro y los disolventes lo disolverán.

1. Quite el sujetador (**A, Figura 14**) y la tapa del filtro del aire (**B**).
2. Quite el depurador (**C**) y el filtro (**D**).
3. Para quitar en lo posible la suciedad, golpee suavemente el filtro contra una superficie dura. Si el filtro está excesivamente sucio, reemplácelo con uno nuevo.
4. Lave el depurador con detergente líquido y agua. Luego espere a que se seque completamente con el aire. No lubrique el depurador.
5. Monte el depurador seco en el filtro.
6. Instale el filtro y el depurador en la base (**E**). Asegúrese de que el filtro se adapte de un modo seguro en la base.
7. Instale la tapa del filtro del aire y sujétela con el sujetador. Asegúrese de que el sujetador esté ajustado.

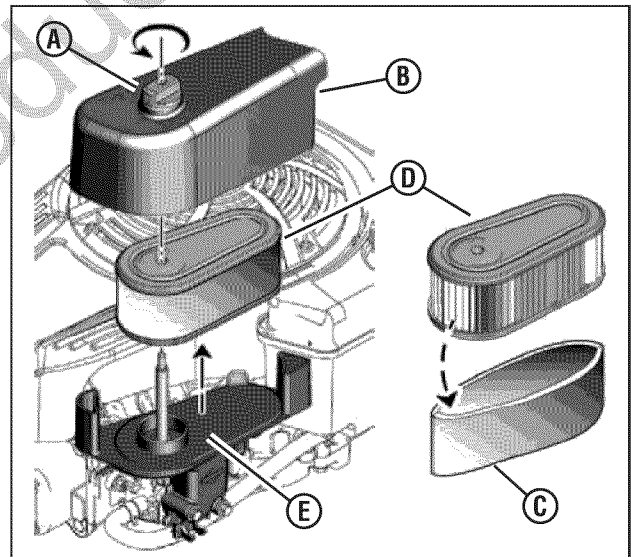


Figura 14: Filtro del aire y depurador



### Revisar el sistema de bloqueo de seguridad

1. Arranque el cortacésped.
2. Suelte el control de la cuchilla. **El motor debe detenerse en 3 segundos.**

Si el motor no se detiene, **no utilice el cortacésped**. Lleve el cortacésped a un centro de servicio técnico autorizado para realizar en él operaciones de mantenimiento y reparación.

### Limpieza de los desechos del cortacésped



#### ADVERTENCIA



NO intente realizar ningún tipo de mantenimiento o ajuste con el motor y la cuchilla en funcionamiento. **DETENGA** el motor y la cuchilla. Quite la llave de acceso. Desconecte el cable de la bujía y manténgalo alejado de la bujía. El motor y los componentes están **CALIENTES**. Para evitar quemaduras graves, espere suficiente tiempo a que todos los componentes se enfríen. Lleve guantes de piel gruesos cuando manipule o trabaje cerca de las cuchillas. Las cuchillas están extremadamente afiladas y pueden ocasionar heridas graves.

1. Elimine la suciedad y posibles desechos de la parte superior de la cubierta del cortacésped.
2. Limpie cualquier acumulación de suciedad que haya en o alrededor del motor, etc.

Mientras realiza la limpieza, revise los componentes por si estuviesen desgastados o dañados. Sustituya inmediatamente los componentes gastados o dañados.

### Puerto de deslave



#### ADVERTENCIA



- Use una protección ocular adecuada.
- Mantenga a las personas y los animales domésticos lejos de la zona de trabajo.
- Manténgase detrás del mango mientras el motor esté funcionando.
- No intente realizar operaciones de corte mientras se usa el puerto de deslave.
- No intente mirar o tocar la parte inferior de la cubierta del cortacésped bajo ninguna circunstancia mientras se usa el puerto de deslave. Pueden producirse lesiones graves.

El puerto de deslave le permite limpiar la parte inferior de la cubierta del cortacésped. Para usar el puerto de deslave:

1. Asegúrese de que la bolsa para hierba y el deflector de descarga lateral estén quitados.
2. Ajuste la altura de corte hasta la posición más baja.
3. Mueva el cortacésped hasta una superficie nivelada y pavimentada.
4. Detenga el motor.

5. Conecte el extremo macho de una manguera estándar con el conector del puerto de deslave (**A, Figura 15**).
6. Sitúe en posición ON el suministro de agua para la manguera.
7. Arranque el motor y deje que funcione hasta que no salga más suciedad de debajo de la cubierta del cortacésped.
8. Detenga el motor.
9. Sitúe en posición OFF el suministro de agua para la manguera.
10. Desconecte la manguera del conector del puerto de deslave.

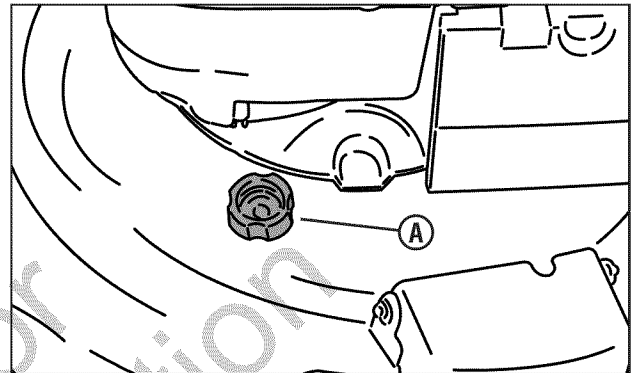


Figura 15: Puerto de deslave

11. Arranque el motor y deje que funcione durante 2-3 minutos para permitir que se seque la parte inferior de la cubierta del cortacésped.

# Mantenimiento

## Ajuste del control de la transmisión



### ADVERTENCIA



NO intente realizar ningún tipo de mantenimiento o ajuste con el motor y la cuchilla en funcionamiento. **DETENGA** el motor y la cuchilla. Quite la llave de acceso. Desconecte el cable de la bujía y manténgalo alejado de la bujía. El motor y los componentes están **CALIENTES**. Para evitar quemaduras graves, espere suficiente tiempo a que todos los componentes se enfríen.

El control de la transmisión (**A, Figura 16**) debe acoplar la transmisión cuando el control se empuje hacia delante y debe desacoplar la transmisión cuando se tire de él totalmente hacia atrás.

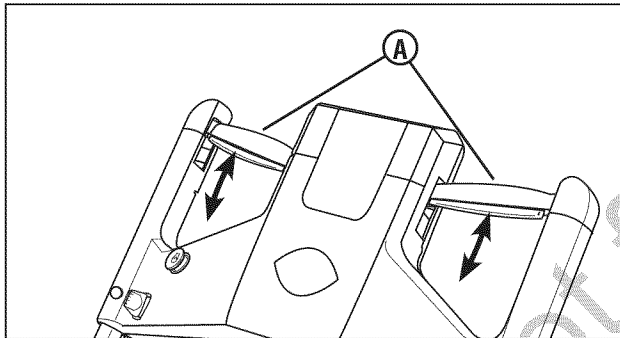


Figura 16: Control de transmisión

Si la transmisión no se acopla o desacopla, puede ajustarse de la siguiente manera:

- Si la transmisión no se acopla, gire el tensor (**A, Figura 17**) media vuelta para sacar las férulas (**B**) del tensor. Revise y repita esta operación cuantas veces sea necesaria.
- Si la transmisión no se desacopla, gire el tensor media vuelta para meter las férulas en el tensor. Revise y repita esta operación cuantas veces sea necesaria.

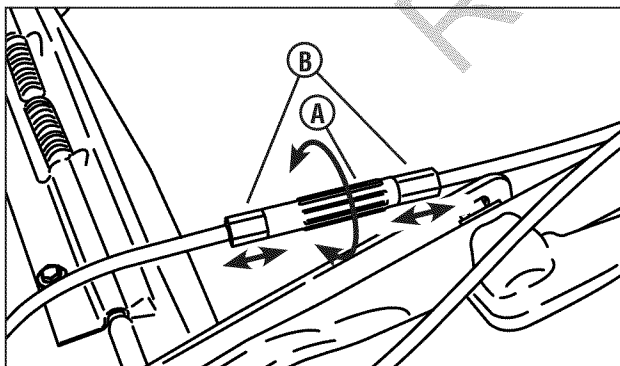


Figura 17: Ajuste del cable de guiado

**Precaución:** Un ajuste incorrecto puede ocasionar el desgaste prematuro y/o daños en los componentes de las ruedas motrices.

## Procedimiento de almacenamiento



### ADVERTENCIA



NO intente realizar ningún tipo de mantenimiento o ajuste con el motor y la cuchilla en funcionamiento. **DETENGA** el motor y la cuchilla. Quite la llave de acceso. Desconecte el cable de la bujía y manténgalo alejado de la bujía. El motor y los componentes están **CALIENTES**. Para evitar quemaduras graves, espere suficiente tiempo a que todos los componentes se enfríen. Lleve guantes de piel gruesos cuando manipule o trabaje cerca de las cuchillas. Las cuchillas están extremadamente afiladas y pueden ocasionar heridas graves.

Prepare el cortacésped para su almacenamiento de “fin de temporada” de la siguiente manera:

1. Desconecte el cable de la bujía y manténgalo alejado de la bujía.
2. Drene el tanque de combustible y deje que el motor funcione hasta que el carburador se vacíe de combustible.

**NOTA:** Si se utiliza un estabilizador de combustible, no es necesario drenar el tanque de combustible. Consulte la sección titulada “Sistema de combustible”.

3. Use un cepillo o aire comprimido para quitar la suciedad que quede suelta y luego use un paño humedecido para limpiar la unidad.
4. Inclíne el cortacésped hacia arriba sobre sus ruedas traseras e inspeccione la parte inferior de la cubierta. (No incline el cortacésped con la bujía o el carburador hacia abajo.) Rasque las incrustaciones de hierba más difíciles de limpiar con una espátula y/o un cepillo de alambre.
5. Lubrique todo el metal expuesto con una capa delgada de aceite para impedir la corrosión.
6. Doble cuidadosamente los mangos, flexionando los cables de control para impedir que el cable resulte dañado.
7. Almacene el cortacésped en un cobertizo u otra área seca que esté protegido contra las inclemencias del tiempo.

### Sistema de combustible

El combustible puede deteriorarse si se almacena durante más de 30 días. El combustible deteriorado hace que se creen depósitos de ácidos y resina en el sistema de combustible o en componentes esenciales del carburador. Para mantener el combustible en buenas condiciones, use el estabilizador de combustible **FRESH START®** de Briggs & Stratton, disponible como aditivo líquido o en forma de cartucho concentrado por goteo.

No es necesario drenar la gasolina del motor si se añade un estabilizador de combustible de acuerdo con las instrucciones. Haga funcionar el motor durante 2 minutos para que el estabilizador circule por el sistema de combustible. De este modo, el motor y el combustible pueden almacenarse hasta 24 meses.

Si la gasolina del motor no se ha tratado con un estabilizador de combustible, debe drenarse en un contenedor aprobado para tal fin. Haga funcionar el motor hasta que se detenga debido a la falta de combustible. Es recomendable usar un estabilizador de combustible en el contenedor de almacenamiento para mantener el combustible en buen estado.

## Solución de problemas

PROBLEMA	CAUSA PROBABLE	ACCIÓN CORRECTIVA
El motor no arranca	1. El tanque de combustible está vacío.	1. Llene el depósito de combustible con combustible en buen estado.
	2. La llave de acceso no está instalada.	2. Instale la llave de acceso en la consola de control.
	3. El cable de la bujía está desconectado.	3. Conecte el cable de la bujía en la bujía.
	4. El cableado está desconectado.	4. Conecte el cableado.
	5. La batería está agotada.	5. Cargue o sustituya la batería.
El motor se para o pierde fuerza tras comenzar a funcionar	1. Se ha soltado el control de la cuchilla o no está bien sujeto en el control de la transmisión.	1. El control de la cuchilla debe sujetarse de manera segura en el control de la transmisión en todo momento durante el funcionamiento.
	2. El tanque de combustible está vacío.	2. Llene con combustible hasta el nivel correcto.
	3. El depurador del motor y/o filtro de aire están sucios.	3. Limpie o sustituya el depurador y/o filtro del aire.
	4. La bujía está dañada o mal colocada.	4. Repare la bujía.
	5. El sistema de combustible contiene agua, suciedad o combustible en mal estado.	5. Drene y limpie el sistema de combustible.
Vibraciones excesivas	1. Dañado, sin equilibrio o cuchilla del cortacésped doblada.	1. Póngase en contacto con un distribuidor autorizado.
	2. Componentes de la cuchilla sueltos.	2. Póngase en contacto con un distribuidor autorizado.
	3. Elevador por aire (si se tiene) suelto o falta.	3. Póngase en contacto con un distribuidor autorizado.
	4. Cinta llena o deshilachada.	4. Póngase en contacto con un distribuidor autorizado.
El cortacésped no se mueve/pérdida de tracción	1. Acumulación de suciedad en o alrededor de los componentes de impulsión.	1. Limpie la suciedad.
	2. Se necesita ajustar el cable de transmisión.	2. Ajuste el cable de transmisión.
	3. Se necesita reemplazar la correa de transmisión.	3. Póngase en contacto con un distribuidor autorizado.
	4. Transmisión dañada.	4. Póngase en contacto con un distribuidor autorizado.
La hierba no se corta correctamente	1. La altura de corte es demasiado alta o baja.	1. Ajuste la altura de corte.
	2. La velocidad de avance es demasiado rápida.	2. Ajústela con una velocidad más lenta.
	3. Cuchilla de corte desafilada o dañada.	3. Póngase en contacto con un distribuidor autorizado.
Descarga de hierba insuficiente	1. La velocidad de avance es demasiado rápida.	1. Ajústela con una velocidad más lenta.
	2. La hierba está húmeda.	2. Córtelea cuando esté seca.
	3. Cuchilla de corte demasiado desgastada o dañada.	3. Póngase en contacto con un distribuidor autorizado.
	4. Acumulación de hierba cortada y suciedad debajo de la cubierta.	4. Limpie la cubierta.
	5. Cuchilla instalada de manera incorrecta en la cubierta.	5. Póngase en contacto con un distribuidor autorizado.
	6. Cuchilla instalada de manera incorrecta en la cubierta.	6. Póngase en contacto con un distribuidor autorizado.
Pérdida de aceite	1. Varilla de aceite suelta.	1. Asegúrese de que la varilla del aceite/tapa del tanque de aceite esté sujeta de manera segura en su lugar.
	2. Tapón de desagüe suelto.	2. Revise y apriete el tapón de desagüe.
	3. Ha rebosado el nivel del aceite.	3. Drene el exceso de lubricante.
	4. Sellados de aceite dañados.	4. Póngase en contacto con un distribuidor autorizado.

# Garantías

## BRIGGS & STRATTON POWER PRODUCTS GROUP, L.L.C. PÓLIZA DE GARANTÍA DEL PROPIETARIO

### GARANTÍA LIMITADA

Briggs & Stratton Power Products Group, LLC reparará y/o reemplazará, sin cargo, cualquier pieza del equipo que esté defectuosa en material o fabricación o ambos. Briggs & Stratton Corporation reparará y/o reemplazará, sin cargo, cualquier pieza del motor\* de Briggs and Stratton (si está equipado con éste) que esté defectuosa en material o fabricación o ambos. El comprador debe cubrir los gastos de transporte del producto que se envíe para reparación o reemplazo según esta garantía. Esta garantía está tiene vigencia durante los períodos señalados y está sujeta a las condiciones que se establecen más adelante. Para el servicio de garantía, busque el distribuidor de servicio autorizado más cercano usando el mapa localizador de distribuidores en [www.BriggsandStratton.com](http://www.BriggsandStratton.com) o [www.Snapper.com](http://www.Snapper.com).

No existe otra garantía expresa. Las garantías implícitas, inclusive aquellas de comerciabilidad y de idoneidad para un propósito en particular se limitan a un año a partir de la fecha de compra o hasta los límites permitidos por la ley. La responsabilidad por daños directos o emergentes está excluida según lo permita la ley.

Algunos estados o países no permiten limitaciones sobre la duración de una garantía implícita y algunos estados o países no permiten la exclusión o limitación de daños directos o indirectos, por lo que puede que la limitación y exclusión anterior no se aplique a usted. Esta garantía le otorga derechos legales específicos y también podría ejercer otros derechos que varían según el estado o el país.

### PERÍODO DE LA GARANTÍA

Elemento	Uso de consumo	Uso comercial:
Equipo	2 años	90 días
Motor*	2 años	90 días
Batería	1 año	1 año

El período de garantía comienza en la fecha de compra por el primer usuario final de consumo minorista o comercial, y continúa durante el período de tiempo que se indica anteriormente. "Uso de consumo" significa uso doméstico residencial personal por un consumidor minorista. "Uso comercial" significa todos los otros usos, lo que incluye el uso para propósitos comerciales, generar ingresos o alquiler. Una vez que el producto se haya usado para fines comerciales, de ahí en adelante se considerará como para uso comercial a efectos de esta garantía.

No es necesario registrar la garantía para obtener el servicio de garantía para productos Briggs & Stratton. Guarde el recibo del comprobante de la compra. Si no proporciona un comprobante de la fecha de compra inicial en el momento en que se solicite el servicio de garantía, se usará la fecha de fabricación del producto para determinar si tiene derecho a la garantía.

### ACERCA DE LA GARANTÍA

Aceptamos las reparaciones por el servicio de garantía y nos disculpamos por las molestias. El servicio de garantía se encuentra disponible solamente a través de concesionarios de servicio autorizados por Briggs & Stratton o BSPPG, LLC.

La mayoría de las reparaciones por el servicio de garantía se gestionan de manera rutinaria, aunque en ocasiones puede que las solicitudes de servicio de garantía no sean adecuadas. Esta garantía solamente cubre defectos de material o fabricación. No cubre los daños ocasionados por un uso incorrecto o un mal uso, un mantenimiento o unas reparaciones inadecuadas, el desgaste y la rotura propios del uso, o el uso de un combustible en mal estado o no aprobado.

**Uso no adecuado y mal uso** - El uso correcto y para el que se ha concebido este equipo se describe en el manual del usuario. Si el producto no se usa de la manera que se describe en el manual del usuario o si el producto se usa después de que haya resultado dañado, quedará anulada la garantía. La garantía queda anulada si se ha borrado el número de serie del producto o el producto ha sido modificado de alguna manera, o si el producto presenta indicios de haber sido usado incorrectamente, por ejemplo, daños producidos por un impacto, o daños producidos por corrosión química/agua.

**Reparación o mantenimiento incorrectos** - Este producto debe mantenerse de acuerdo con los procedimientos y el calendario que se proporcionan en el manual del usuario, y debe ser reparado usando para ello piezas originales de Briggs & Stratton. La garantía no cubre los daños ocasionados por la falta de mantenimiento o el uso de piezas no originales.

**Desgaste normal** - Como otros dispositivos mecánicos, su unidad está sujeta a un desgaste incluso si se realiza en ella un mantenimiento correcto. Esta garantía no cubre las reparaciones cuando el uso normal ha agotado la vida útil de una pieza o del equipo. Las piezas que sufren desgaste y que deben someterse a programas de mantenimiento tales como los filtros, las correas, las cuchillas de corte y las zapatas del freno (las zapatas del freno del motor están cubiertas por la garantía) no están cubiertas por la garantía debido a que únicamente pueden desgastarse, a menos que el origen del desgaste sean defectos en el material o en la fabricación.

**Combustible en mal estado** - Para que este producto funcione correctamente, se necesita combustible fresco (reciente) que cumpla los criterios especificados en el manual del usuario. Los daños ocasionados por el combustible viejo (en mal estado), como fugas en el carburador, tubos de combustible obstruidos, válvulas obstruidas, etc. no están cubiertos por la garantía.

\* Esto sólo se aplica a los motores de Briggs and Stratton. La cobertura de la garantía de los motores no fabricados por Briggs and Stratton la ofrece el fabricante del motor.

## Declaración de Garantía sobre Control de Emisiones de California, U.S. EPA, y Briggs & Stratton Corporation Sus Derechos y Obligaciones bajo la Garantía

Abril 2011

La Junta de Recursos Ambientales de California (CARB), la U.S. EPA y Briggs & Stratton (B&S) se complacen en explicarles la garantía del sistema de control de emisiones en su motor/equipo Modelo 2011-2012. En California, los motores pequeños todo terreno y los motores grandes con encendido por chispa de menos que o igual a 1,0 litros nuevos deben ser diseñados, fabricados y equipados para cumplir los estrictos estándares anti-smog del Estado. B&S debe garantizar el sistema de control de emisiones en su motor/equipo por el período de tiempo listado abajo, teniendo en cuenta que no haya habido abuso, negligencia o mantenimiento incorrecto en su motor o equipo.

Su sistema de control de emisiones incluye partes tales como: el carburador o sistema de inyección de combustible, el tanque de combustible, el sistema de encendido y el convertidor catalítico. También puede incluir mangueras, correas, conectores y otros conjuntos relacionados con el sistema de control de emisiones.

Siempre que exista una condición de garantía, B&S reparará su motor/equipo sin ningún costo para usted incluyendo el diagnóstico, las partes y la mano de obra.

### Cobertura de la garantía del fabricante:

Los motores pequeños todo terreno y los motores grandes con encendido por chispa de menos que o igual a 1,0 litros se garantizan durante un período de dos (2) años. Si alguna de las partes relacionadas con emisiones en su motor/equipo se encuentra defectuosa, la parte será reparada o reemplazada por B&S.

### Responsabilidades del Propietario de la Garantía:

- Como propietario del motor/equipo, usted es responsable de que se lleve a cabo el mantenimiento requerido el cual se indica en su manual del propietario. B&S le recomienda guardar todos sus recibos que cubran el mantenimiento en su motor/equipo, pero B&S no solo puede negar la garantía por la falta de recibos sino por su omisión al asegurar la realización de todo el mantenimiento programado.
- Como propietario del motor/equipo, usted tiene que darse cuenta que B&S puede negarle la cobertura de la garantía si su motor/equipo o una de sus partes ha fallado debido a abuso, negligencia, mantenimiento incorrecto o modificaciones no aprobadas.
- Usted tiene la responsabilidad de llevar su motor/equipo a un centro de distribución de B&S, concesionario de servicio, o entidad equivalente, según el caso, tan pronto como exista un problema. Las reparaciones bajo garantía deben realizarse dentro de un período razonable, no superior a 30 días. Si usted tiene alguna pregunta sobre sus derechos y responsabilidades en cuanto a garantía, debe ponerse en contacto con B&S al (414) 259-5262.

## Provisiones de la Garantía del Sistema de Control de Emisiones de Briggs & Stratton Corporation

Las siguientes son provisiones específicas relativas a la Cobertura de la Garantía del Sistema de Control de Emisiones. Es un agregado a la garantía del motor B&S para los motores no-regulados que figuran en el Manual del Operador.

### 1. Partes relacionadas con emisión garantizadas

La cobertura bajo esta garantía se extiende únicamente a las partes listadas abajo (partes de los sistemas de control de emisiones) en el grado en que estas partes estaban presentes en el motor B&S y/o el sistema de combustible suministrado por B&S.

- Sistema de Medición de Combustible**
  - Sistema de Enriquecimiento de Arranque en Frío (estrangulación suave)
  - Carburador y Partes Internas
  - Bomba de Combustible
  - Tubo de combustible, aditamentos tubo de combustible, abrazaderas
  - Tanque de combustible, cubierta y correa de sujeción
  - Filtro de carbón
- Sistema de Inducción de Aire**
  - Filtro de Aire
  - Múltiple de Admisión
  - Manguera de purga y ventilación
- Sistema de Encendido**
  - Bujía(s)
  - Sistema de Encendido con Magneto
- Sistema Catalizador**
  - Convertidor Catalítico
  - Múltiple de Escape
  - Sistema de Inyección de Aire o Válvula de Pulsación
- Items Varios Usados en los Sistemas Anteriores**
  - Vacío, Temperatura, Posición, Válvulas Sensitivas de Tiempo y Suiches
  - Conectores y Conjuntos

### 2. Duración de la Cobertura

Durante un período de dos (2) años a partir de la fecha original de compra, B&S garantiza al comprador original y a cada comprador subsiguiente que el motor ha sido diseñado, construido y equipado de manera que cumpla con todas las normas adoptadas por la Junta de Recursos Ambientales de California (CARB); que está libre de defectos de materiales y mano de obra que podrían causar la falla de una pieza garantizada; y que es idéntico en todos los aspectos importantes al motor descrito en la solicitud para certificación del fabricante. El período de garantía comienza en la fecha de la compra original del motor.

La garantía sobre las partes relacionadas con las emisiones es la siguiente:

- Cualquier parte garantizada la cual no esté programada para cambio de acuerdo con el mantenimiento requerido en el manual del propietario está garantizada durante el período de garantía antes mencionado. Si una parte tal falla durante el período de cobertura de la garantía, la pieza será reparada o sustituida por B&S sin costo alguno para el propietario. Cualquier parte reparada o sustituida de acuerdo con la garantía, estará garantizada por el resto del período de la garantía.
  - Cualquier parte garantizada que esté programada únicamente para la inspección periódica en el manual del propietario suministrado está garantizada durante el período de garantía antes mencionado. Cualquier parte reparada o sustituida de acuerdo con la garantía, estará garantizada por el resto del período de la garantía.
  - Cualquier parte garantizada la cual esté programada para cambio de acuerdo con el mantenimiento requerido en el manual del propietario suministrado está garantizada por el período previo al primer punto de reemplazo programado para esa parte. Si la parte falla antes del primer reemplazo programado, la pieza será reparada o sustituida por B&S sin costo alguno para el propietario. Cualquier pieza reparada o sustituida de acuerdo con la garantía, se garantizará por el resto del período con anterioridad al primer punto de reemplazo programado para esa pieza.
  - Las partes adicionales o modificadas que no estén exentas por la Junta de Recursos Ambientales no pueden ser utilizadas. El uso de cualquier accesorio no exento o de partes modificadas por el propietario será motivo para desestimar una reclamación de garantía. El fabricante no se hace responsable por las fallas de partes garantizadas causadas por la utilización de un accesorio no exento o una parte modificada.
3. Cobertura Consecuente
- La cobertura se extenderá hasta la falla de cualquiera de los componentes del motor ocasionada por la falla de cualesquier partes relacionadas con emisión que se encuentren bajo garantía.
4. Reclamos y Exclusiones de la Cobertura

Los reclamos de la garantía se completarán de acuerdo con las provisiones de la política sobre garantía del motor B&S. La cobertura de la garantía estará excluida para fallas de las partes relacionadas con emisiones que no sean partes originales B&S o para partes que fallen debido a abuso, negligencia o mantenimiento incorrecto según se establece en la política de garantía del motor B&S. B&S no se hace responsable de cubrir fallas de partes relacionadas con emisiones ocasionadas por el uso de partes adicionales o partes modificadas.

## Busque el Período de Durabilidad de Emisiones y la Información del Índice de Aire Pertinentes en la Etiqueta de Emisiones de su Motor Pequeño Todo Terreno

Los motores que son certificados porque cumplen con las Normas de Emisiones para motores pequeños todo terreno de la Junta de Recursos Ambientales de California (CARB) deben mostrar la información referente al Período de Durabilidad de Emisiones y al Índice de Aire. Briggs & Stratton hace que esta información esté disponible para el consumidor en nuestras etiquetas de emisiones. La etiqueta de emisiones del motor indicará la información de certificación.

El **Período de Durabilidad de Emisiones** describe el número de horas del tiempo real de operación para el cual el motor tiene certificación de conformidad de emisiones, asumiendo un mantenimiento apropiado de acuerdo con las Instrucciones de Mantenimiento y Operación. Se utilizan las siguientes categorías:

#### Moderado:

El motor tiene certificación de conformidad de emisiones por 125 horas del tiempo real de operación del motor.

#### Intermedio:

El motor tiene certificación de conformidad de emisiones por 250 horas del tiempo real de operación del motor.

#### Extendido:

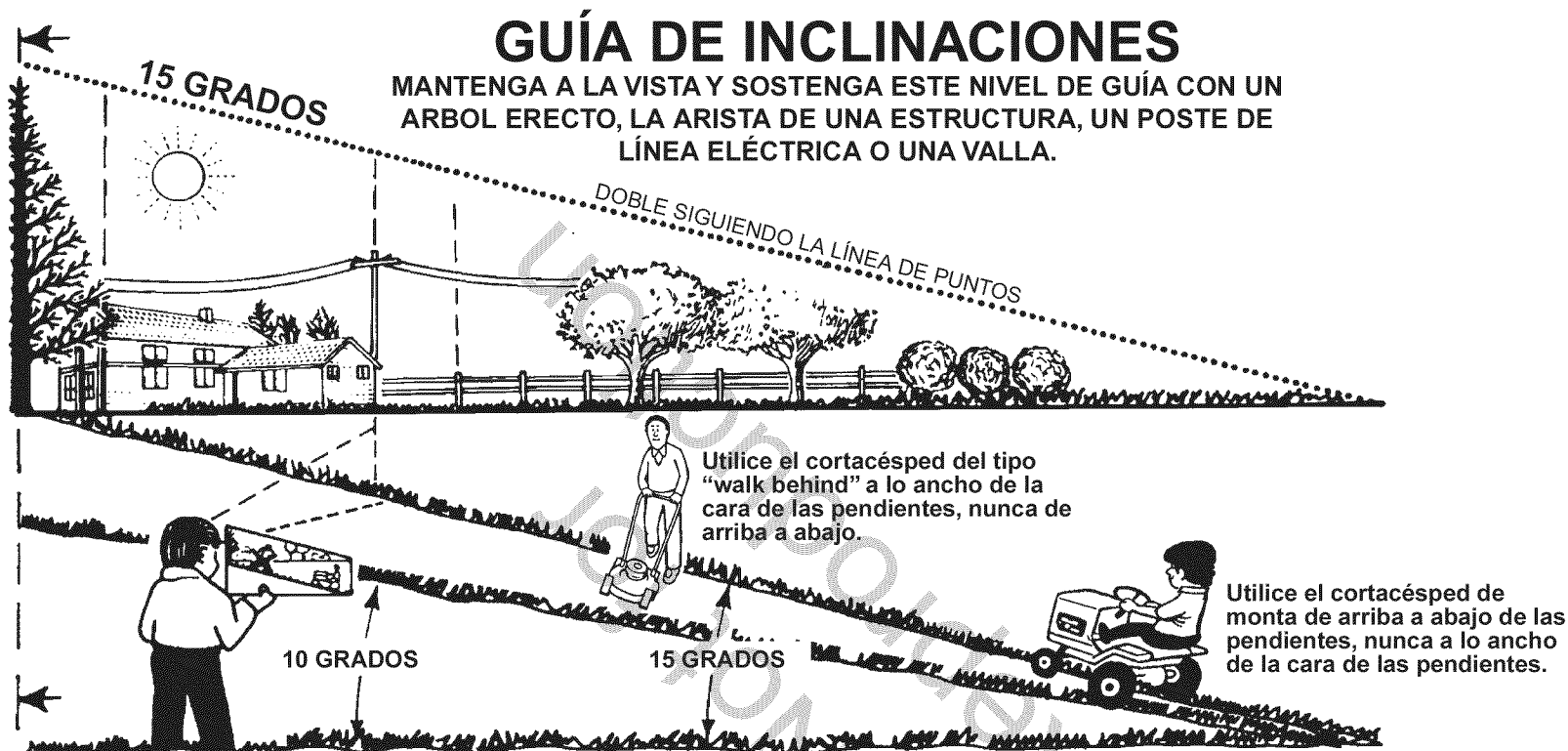
El motor tiene certificación de conformidad de emisiones por 500 horas del tiempo real de operación del motor. Por ejemplo, una máquina cotaespéd típica de arrastrar es usada de 20 a 25 horas por año. Por lo tanto, el **Período de Durabilidad de Emisiones** de un motor con una **clasificación intermedia** debería ser equivalente de 10 a 12 años.

Se certifica que los motores Briggs & Stratton cumplen con las normas de emisiones Fase 2 o Fase 3 de la Agencia de Protección Ambiental de los Estados Unidos (USEPA). El Período de Conformidad de Emisiones al cual se refiere la Etiqueta de Conformidad de Emisiones indica el número de horas de operación para las cuales el motor ha demostrado que cumple con los requerimientos Federales sobre emisiones.

Para motores con un desplazamiento inferior a 225 cc.  
Categoría C = 125 horas, Categoría B = 250 horas, Categoría A = 500 horas

Para motores con un desplazamiento de 225 cc o superior.  
Categoría C = 250 horas, Categoría B = 500 horas, Categoría A = 1000 horas



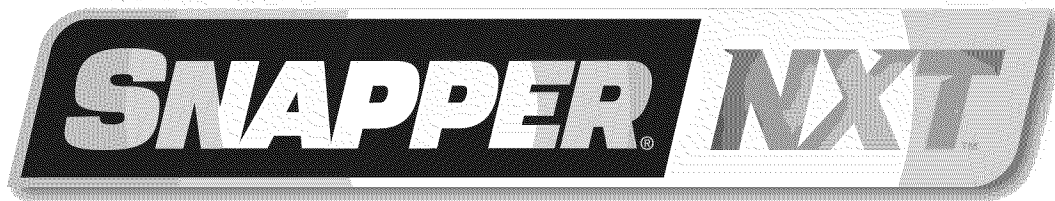


En un cortacésped de monta, para determinar si una pendiente puede ser cortada con seguridad: (1) desacople la(s) cuchilla(s), (2) ponga la unidad en sentido contrario, y (3) intente retroceder pendiente arriba. Si Vd. puede remontar la pendiente, será por lo general seguro cortar la hierba. Sin embargo, si no se siente completamente seguro, siga esta guía y no corte la hierba en pendientes cuya inclinación sea mayor de 15 grados. Si el cortacésped de monta se utiliza con un accesorio montado "pull-behind" o posterior, no utilice la unidad en pendientes cuya inclinación sea superior a 10 grados.

Una pendiente de 15% grados es la propia de una colina que incrementa su altura en aproximadamente 0,6 m cada 3,05 m.  
Una pendiente de 10% grados es la propia de una colina que incrementa su altura en aproximadamente 0,5 m cada 3,05 m.



Emplee la mayor precaución en todo momento y evite giros y maniobras bruscas. Siga el resto de instrucciones de este manual en pro de la seguridad cuando corte la hierba en pendientes. Utilice el cortacésped de monta de arriba a abajo de la pendiente y nunca a lo ancho de su cara. Utilice el cortacésped del tipo "walk-behind" a lo ancho de la cara de las pendientes, nunca de arriba a abajo de ésta. Emplee una precaución especial cuando trabaje en pendientes u obturaciones, o cerca de ellas.



---

## Especificaciones

### Cortacésped

Dimensiones de la cubierta (cm/pulg.)	55,9/22
Altura de corte (cm/pulg.)	3,2 - 10,2/1,25 - 4
Tipo de transmisión	Velocidad/piñón variable
Velocidad de desplazamiento (kph/mpg)	0 - 6,8/0 - 4,2
Torsión de cuchilla (Nm/ft-lbs)	54,2/40

### Motor

Potencia bruta del motor * (ft-lbs)	8,75
Desplazamiento del motor (cc)	190
Capacidad del depósito de combustible (l/cuartos de galones)	1,14/1,2
Capacidad de aceite (l/oz)	0,53 - 0,59/18 - 20
Abertura de la bujía (mm/pulg.)	0,5/0,020
Torsión de bujía (Nm/pulg.-lbs)	20,3/180

---

**\* Clasificación de la potencia del motor:** La clasificación de potencia bruta para el modelo de motor de gasolina individual está etiquetada de acuerdo con el código J1940 (Small Engine Power & Torque Rating Procedure) de la SAE (Society of Automotive Engineers), y la clasificación de rendimiento ha sido obtenida y corregida de conformidad con SAE J1995 (Revisión 2002-05). Los valores de torsión se derivan a 3060 RPM. Los valores de los caballos de fuerza se derivan a 3600 RPM. Las curvas de potencia bruta se pueden ver en [www.BRIGGSandSTRATTON.COM](http://www.BRIGGSandSTRATTON.COM). Los valores de potencia neta se obtienen con el filtro de aire y la ventilación instalados mientras que los valores de la potencia bruta se reúnen sin estos accesorios instalados. La potencia bruta efectiva del motor será superior a la de la potencia del motor y se verá afectada por, entre otros elementos, las condiciones ambientales de funcionamiento y variabilidad entre motores. Dado el amplio conjunto de productos en que se colocan los motores, el motor de gasolina no desarrollará la potencia bruta clasificada cuando se utilice en un componente de equipamiento de motor determinado. Estas diferencias son debidas a una amplia variedad de factores, incluidos, sin exclusión de otros, diferentes componentes del motor (limpiadores de aire, tubos de escape, carga, refrigeración, carburador, bomba de combustible, etc.), limitaciones de aplicación, condiciones ambientales de funcionamiento (temperatura, humedad, altitud) y la variabilidad entre motores. Debido a las limitaciones de fabricación y capacidad, Briggs & Stratton podrá sustituir una mayor potencia clasificada para este motor de serie.

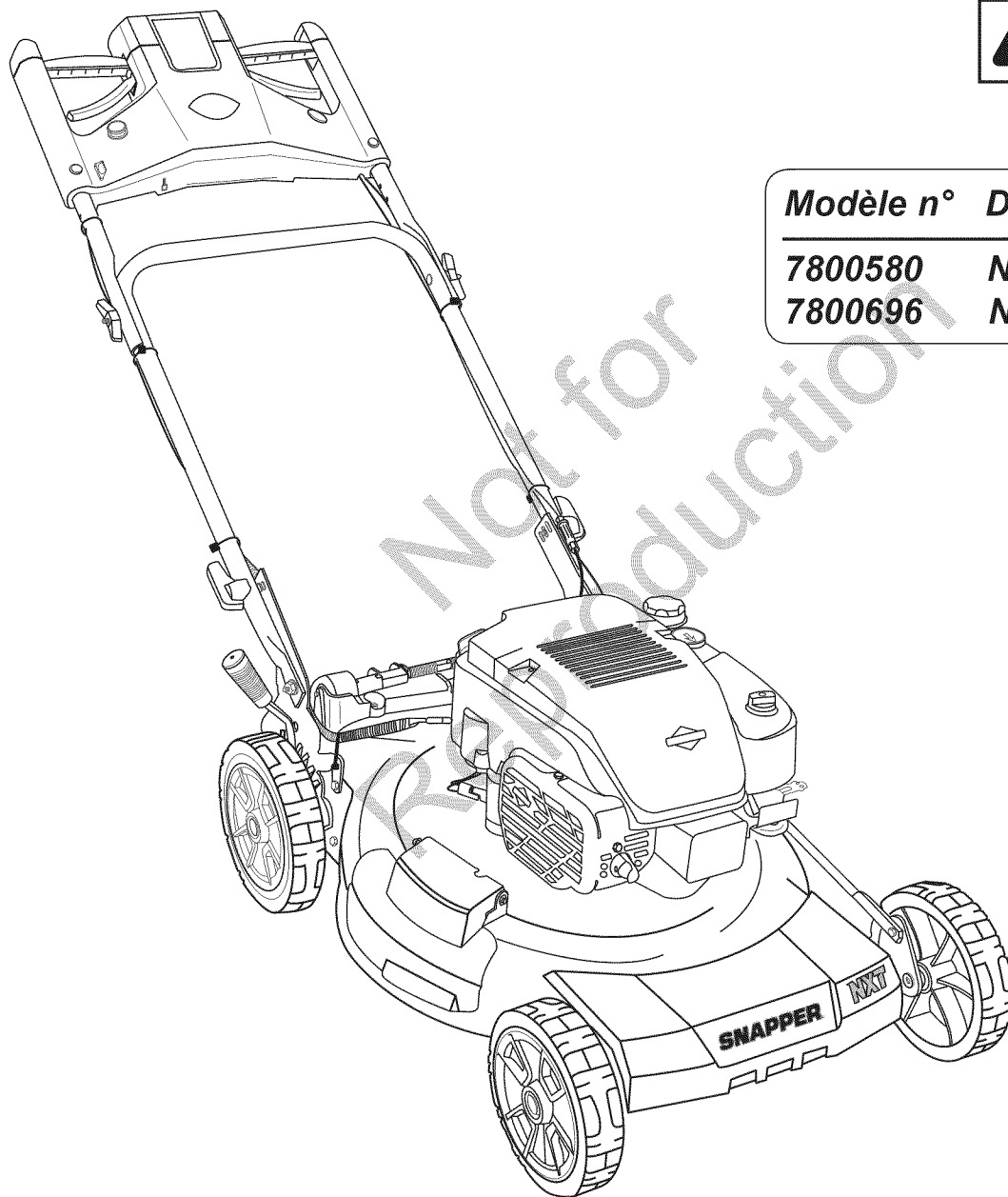
**SNAPPER**

1-800-317-7833  
[www.snapper.com](http://www.snapper.com)





## Manuel d'utilisation



<i>Modèle n°</i>	<i>Description</i>
7800580	NXT22875E
7800696	NXT22875EFCA

**Merci** d'avoir acheté cette tondeuse de qualité Snapper. Nous sommes heureux que vous ayez placé votre confiance dans la marque Snapper. Lorsque utilisée et entretenue selon les instructions de ce manuel, votre tondeuse Snapper fournira de nombreuses années de service fiable.

**Ce manuel contient** des mesures de sécurité pour vous mettre au courant des risques et des dangers liés à la tondeuse et comment les éviter. Cette machine est conçue et destinée uniquement à la coupe de finition de pelouses et ne doit pas être utilisée à d'autres fins. Il est important de lire et de comprendre complètement ces instructions avant d'essayer de mettre en marche ou de faire fonctionner cet équipement. **Conservez ces instructions d'origine pour référence future.**

**Date d'achat** \_\_\_\_\_

**Distributeur** \_\_\_\_\_

**Numéro de téléphone du distributeur** \_\_\_\_\_

**Équipement**

Numéro de modèle \_\_\_\_\_

Numéro de série \_\_\_\_\_

**Moteur**

Modèle \_\_\_\_\_ Type \_\_\_\_\_ Code \_\_\_\_\_

Not for  
Reproduction

# Table des matières

<b>Sécurité de l'opérateur</b> .....	<b>4</b>
Consignes de sécurité .....	4
Autocollants de fonctionnement et de sécurité.....	6
<b>Caractéristiques et commandes</b> .....	<b>8</b>
<b>Fonctionnement</b> .....	<b>9</b>
Avant de démarrer.....	9
Recommandations de carburant.....	9
Démarrage de la tondeuse .....	10
Propulsion de la tondeuse .....	10
Réglage de la hauteur de la poignée .....	10
Réglage de la hauteur de coupe.....	11
Fonctionnement de la déchiqueteuse.....	11
Installation du déflecteur de décharge.....	11
Installation du sac à herbe.....	12
Recharge de la batterie.....	13
Aide-mémoire d'entretien.....	14
<b>Entretien</b> .....	<b>15</b>
Tableau d'entretien.....	15
Changement de l'huile moteur.....	16
Entretien du filtre à air.....	16
Contrôler le système de verrouillage de sécurité.....	17
Nettoyage de la tondeuse.....	17
Réglage de la commande d'entraînement.....	18
Procédure d'entreposage.....	18
<b>Dépannage</b> .....	<b>19</b>
<b>Garanties</b> .....	<b>20</b>
<b>Guide de pente</b> .....	<b>23</b>



## AVERTISSEMENT



L'utilisation ou faire fonctionner un moteur sur un terrain forestier, broussailleux ou herbeux est une violation du code des ressources publiques de la Californie, section 4442, à moins que le système d'échappement ne soit équipé d'un pare-étincelles, tel que défini dans la section 4442 et entretenu en bon état de fonctionnement. D'autres provinces ou juridictions fédérales peuvent avoir des lois similaires. Contactez le fabricant d'équipement d'origine, le distributeur ou le concessionnaire afin d'obtenir un pare-étincelles conçu pour le système d'échappement installé sur ce moteur.



## AVERTISSEMENT



Les poteaux, les bornes de batterie et les accessoires relatifs contiennent du plomb et des composants de plomb, ces produits chimiques reconnus par l'État de Californie, pour provoquer le cancer, les malformations foetales ou autres problèmes de reproduction. Laver les mains après la manipulation.



## AVERTISSEMENT



L'échappement du moteur, certains de ses constituants, et certains composants de véhicule contiennent ou émettent des produits chimiques connus dans l'état de Californie pour provoquer le cancer ou d'autre problème de reproduction.

# Sécurité de l'opérateur



**AVERTISSEMENT** : Cette puissante tondeuse peut provoquer l'amputation des mains et des pieds ainsi que projeter des objets pouvant endommager la machine ou entraîner de graves blessures! Le fait de ne pas se conformer aux consignes de SÉCURITÉ suivantes peut avoir comme conséquence de graves blessures, voire la mort de l'opérateur ou d'autres personnes. Le propriétaire de la machine doit comprendre ces instructions et permettre uniquement aux personnes qui les comprennent d'opérer la machine. Toute personne utilisant cette machine doit être saine d'esprit et de corps et ne doit pas être sous l'influence d'une substance quelconque pouvant modifier sa vision, sa dextérité ou sa capacité de jugement. Si vous avez des questions concernant votre machine que votre concessionnaire ne peut pas répondre à votre satisfaction, veuillez appeler le service à la clientèle (1-800-317-7833 ou [www.snapper.com](http://www.snapper.com)).

## PROTECTION DES ENFANTS

Les accidents tragiques peuvent survenir si l'opérateur n'est pas attentif à la présence des enfants. Les enfants sont souvent attirés par la machine et l'activité de tonte. Ne jamais supposer que les enfants resteront là où ils ont été vus pour la dernière fois.

1. Éloigner les enfants de la zone à tondre et les laisser sous la stricte vigilance d'un adulte autre que l'opérateur.
2. NE PAS permettre que les enfants restent sur le terrain lorsque la machine est en marche et mettre la machine en ARRÊT si quelqu'un pénètre dans la zone.
3. NE PAS permettre aux adolescents de faire fonctionner la machine.
4. Permettre uniquement aux adultes et aux adolescents matures sous la supervision d'un adulte de faire fonctionner la machine.
5. NE PAS tirer la tondeuse vers l'arrière à moins que cela soit absolument nécessaire. REGARDER bien autour de vous ainsi que près de la machine pour vérifier la présence d'enfants, animaux domestiques et objets dangereux en faisant une marche arrière.
6. Faire preuve d'UNE EXTREME PRUDENCE à l'approche d'angles morts, d'arbustes, d'arbres et d'autres objets susceptibles de masquer la vision.

## FONCTIONNEMENT EN PENTE

1. Les pentes sont un des principaux facteurs liés aux accidents de glissades et de chutes lesquels peuvent entraîner de graves blessures. Faire preuve de prudence supplémentaire sur toutes les pentes. Si vous ne vous sentez pas à l'aise sur une pente, NE LA TONDEZ PAS.
2. Tondre les pentes de biais, jamais de haut vers le bas. Faire preuve d'une extrême PRUDENCE lors des changements de direction sur les pentes. NE PAS tondre sur des pentes abruptes ni toutes autres surfaces sur lesquelles la stabilité ou la traction peuvent être mises en doute. Se référer au guide de pente à la fin de ce manuel.
3. Faire preuve d'extrême prudence lors de l'utilisation des sacs à herbe ou autres accessoires ; ceux-ci affectent la manipulation et la stabilité de la machine.

## PRÉPARATION

1. Lire, comprendre et suivre toutes les instructions et les avertissements figurant dans ce manuel, sur la machine, le moteur et les accessoires. Bien connaître les commandes et l'utilisation appropriée de l'équipement avant le démarrage.
2. Seulement les personnes responsables, matures pourront utiliser la machine et seulement après la lecture des instructions appropriées.
3. Les données indiquent que les opérateurs, âgés de 60 ans et plus, sont impliqués dans un fort pourcentage des blessures associées au matériel de tonte. Ces utilisateurs doivent évaluer leur capacité à faire fonctionner la machine de manière suffisamment sûre pour se protéger et protéger autrui de toute blessure grave.
4. Manipuler le carburant avec un soin extrême. Les carburants sont inflammables et les vapeurs sont explosives. Utiliser uniquement un bidon à essence homologué. NE PAS retirer le bouchon d'essence ni ajouter du carburant lorsque le moteur est en marche.

## PRÉPARATION

### (Suite de la colonne précédente)

- Ajouter le carburant seulement à l'extérieur après l'arrêt et le refroidissement du moteur. Essuyer les éclaboussures de carburant ou d'huile sur la machine. NE PAS fumer.
5. Vérifier et retirer de la zone à tondre les objets tels que les pierres, jouets, câbles, etc., qui pourraient être aspirés, puis projetés par les lames causant des graves blessures. Également, repérer les emplacements de trous, de souches et de tout autre danger possible.
  6. Garder les animaux et les personnes hors de la zone de tonte. ARRÊTER immédiatement les lames, arrêter le moteur et arrêter la tondeuse si quelqu'un pénètre la zone.
  7. Vérifier fréquemment l'emplacement et l'état des protecteurs, défecteurs, interrupteurs, commandes de lame ainsi que les autres dispositifs de sécurité pour assurer le fonctionnement approprié.
  8. S'assurer que toutes les étiquettes de sécurité sont clairement lisibles. Remplacer si elles sont endommagées.
  9. Se protéger lors de la tonte avec des lunettes de protection, des pantalons longs et des chaussures résistantes. NE PAS tondre pieds nus ni en sandales.
  10. Savoir comment ARRÊTER rapidement les lames et le moteur afin d'être prêt en cas d'urgence.
  11. Faire très attention lors du chargement ou du déchargement de la machine sur une remorque ou un camion.
  12. Vérifier fréquemment les composants du sac à herbe pour tout signe d'usure ou de détérioration et remplacer au besoin pour éviter la projection des objets passant par les points faibles ou usés causant des graves blessures.

## MANIPULATION SÉCURITAIRE DE L'ESSENCE

- Afin d'éviter les graves blessures ainsi que le dommage matériel, manipuler l'essence avec un soin extrême. L'essence et ses vapeurs sont extrêmement inflammables et explosives.
1. Éteindre cigarettes, cigares, pipes et autres sources d'ignition.
  2. Utiliser uniquement un bidon à essence homologué.
  3. NE PAS retirer le bouchon d'essence ni ajouter du carburant lorsque le moteur est en marche. Permettre au moteur de refroidir avant de faire le plein.
  4. NE PAS faire le plein lorsque la machine est à l'intérieur.
  5. NE PAS entreposer la machine ou le bidon à essence à l'intérieur où il y a une flamme nue, une étincelle ou une veilleuse, comme près d'un chauffe-eau ou de tout autre appareil ménager.
  6. NE PAS remplir les bidons à l'intérieur d'un véhicule, d'un camion ou d'une remorque avec une bâche en plastique. Toujours placer les bidons sur le sol, éloignés de tout véhicule, avant de les remplir.

## MANIPULATION SÉCURITAIRE DE L'ESSENCE (Suite de la page précédente)

7. Retirer tout équipement à essence du véhicule ou de la remorque et faire le plein au sol. Quand cela n'est pas possible, faire le plein avec un bidon portable plutôt qu'avec un distributeur d'essence.
8. NE PAS démarrer un équipement à essence dans un véhicule ou une remorque enfermé.
9. Toujours garder le pistolet distributeur en contact avec l'embouchure du réservoir d'essence ou du bidon jusqu'à la fin du remplissage. NE PAS utiliser de dispositif à ouverture bloquée
10. En cas d'éclaboussures d'essence sur les vêtements, les changer immédiatement.
11. NE PAS trop remplir le réservoir de carburant. Remettre le bouchon d'essence en place et bien serrer.

## FONCTIONNEMENT

1. NE PAS placer les mains ou les pieds près ou sous les pièces en rotation. Se tenir loin de la zone de d'éjection lorsque le moteur est en marche.
2. ARRÊTER le moteur en traversant les voies d'accès, les trottoirs ou les routes ou sous toute autre condition où des objets projetés pourraient causer un danger.
3. Tondre uniquement le jour ou sous un bon éclairage artificiel.
4. NE PAS utiliser la tondeuse sous l'influence de l'alcool ou de drogues.
5. Après avoir heurté un objet ou si la tondeuse vibre de façon anormale, ARRÊTER le moteur, débrancher et sécuriser le câble de la bougie d'allumage. Contrôlez si la tondeuse a été endommagée et la réparer avant de la remettre en marche.
6. NE PAS tondre près des pentes, des fossés ou des talus. L'opérateur pourrait perdre pied ou son équilibre.
7. FAIRE ATTENTION aux trous et autres obstacles dangereux. L'herbe haute peut cacher des obstacles. Rester loin des fossés, des lavages, des buses, des barrières et des objets saillants.
8. NE PAS tondre sur l'herbe mouillée. Toujours assurer son équilibre. Tenir fermement la poignée et marcher, ne jamais courir. Les glissades peuvent être source de blessures.
9. TOUJOURS se tenir derrière la poignée lorsque le moteur est en marche.
10. NE PAS laisser la machine avec le moteur en marche. ARRÊTER LA LAME et LE MOTEUR avant de quitter le siège de l'opérateur, quelle qu'en soit la raison.
11. Avant de nettoyer, de réparer ou de vérifier, s'assurer que le moteur, la lame et toutes pièces mobiles sont ARRÊTÉS. Débrancher et fixer le câble de la bougie d'allumage loin de la bougie afin de prévenir un démarrage accidentel.
12. ARRÊTER le moteur et attendre jusqu'à ce que la lame soit complètement ARRÊTÉE avant d'enlever le sac à herbe et / ou avant de dégager l'herbe.
13. NE PAS faire fonctionner la tondeuse sans le sac à herbe au complet ou sans les protections d'éjection et arrière ou tout autre dispositif de sécurité en place et fonctionnel. NE PAS diriger le point de décharge vers des gens, des voitures passantes, des fenêtres ou des portes.

## FONCTIONNEMENT (Suite de la colonne précédente)

14. NE PAS décharger le matériau contre un mur ou une obstruction. Le matériau risque de ricocher vers l'opérateur.
15. Ralentir avant de tourner.
16. Surveiller la circulation lors de l'utilisation à proximité des routes ou en les traversant.
17. NE PAS faire fonctionner le moteur dans des endroits enfermés. Les gaz d'échappement du moteur contiennent du monoxyde de carbone, un gaz mortel.
18. Utiliser uniquement les accessoires agréés par le fabricant de la machine. Veuillez consulter les instructions du fabricant afin de connaître le moyen adéquat de faire fonctionner et d'installer les accessoires.

## ENTRETIEN ET ENTREPOSAGE

1. NE PAS remiser la machine ou le bidon de carburant dans un espace où les fumées peuvent atteindre une flamme nue, une étincelle ou une veilleuse, comme près d'un chauffe-eau, une chaudière, un sèche-linge ou tout autre appareil à gaz. Laisser le moteur refroidir avant d'entreposer la machine dans un endroit clos. Entreposer le bidon à essence hors de la portée des enfants dans un bâtiment non-occupé et bien aéré.
2. Enlever le gazon, les feuilles et tout excès de graisse du moteur afin d'éviter les incendies et la surchauffe de ce dernier.
3. Lors de la vidange du réservoir de carburant, vidanger le carburant dans un bidon homologué à l'extérieur et loin d'une flamme nue.
4. Bien serrer tous les boulons, spécialement les boulons des lames, les écrous et les vis. Vérifier que toutes les goupilles fendues soient en bonne position.
5. Contrôler que le moteur soit bien aéré lors de son fonctionnement. Les gaz d'échappement du moteur contiennent du monoxyde de carbone, un gaz mortel.
6. Effectuer les travaux de réparations et les réglages nécessaires uniquement lorsque le moteur est arrêté. Enlever le câble de la bougie de cette dernière et le placer dans un endroit éloigné de la bougie afin d'empêcher tout démarrage accidentel.
7. NE PAS modifier les paramètres du régulateur de vitesse du moteur ni atteindre la vitesse de pointe du moteur.
8. Vérifier le sac à herbe fréquemment afin de voir s'il est usé ou détérioré et éviter que des objets ne soient projetés et exposés aux pièces en mouvement. Remplacer par un sac à herbe neuf, si les coutures sont défectueuses ou en cas de déchirures. Remplacer la glissière ou l'adaptateur du sac s'il est cassé ou fêlé.
9. Les lames de la tondeuse sont tranchantes et peuvent couper. Enrober les lames ou porter des gants en cuir lourd, et faire ATTENTION en les manipulant.
10. NE PAS tester l'étincelle en reliant la bougie d'allumage à la terre près du puits de la bougie ; la bougie pourrait enflammer les gaz sortant du moteur.
11. Les travaux de réparations de la machine doivent être faits par un concessionnaire agréé au moins une fois par année qui doit installer tout dispositif de sécurité nouveau.
12. Utilisez uniquement des pièces de rechange d'origine homologuées ou similaires lors de réparations.

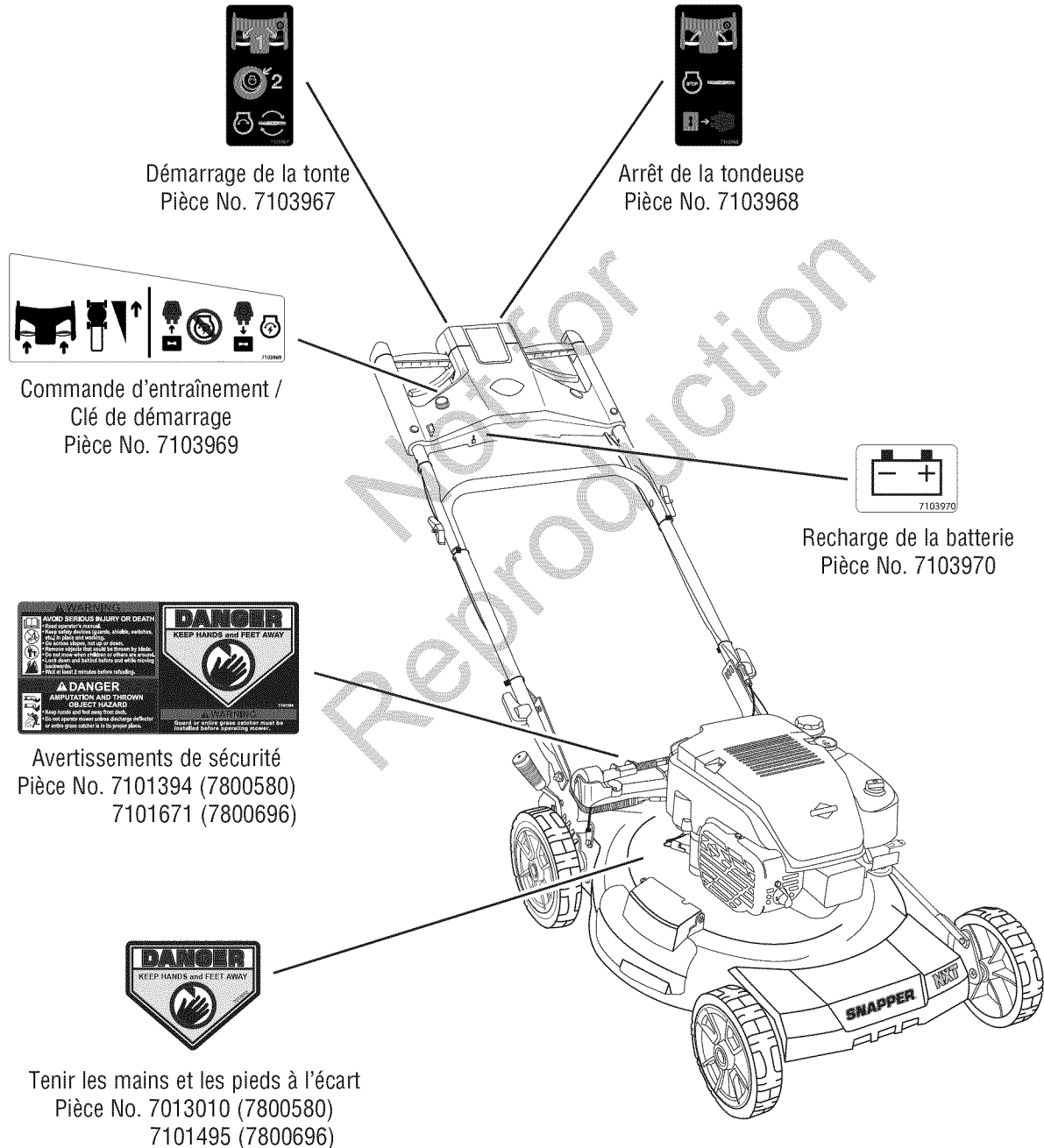
# Sécurité de l'opérateur

## Autocollants de fonctionnement et de sécurité

La lecture de ce manuel et des consignes de sécurité qu'il contient fournira les connaissances de base nécessaires pour utiliser cette tondeuse en toute sécurité et efficacement. Toutefois, plusieurs autocollants de fonctionnement et de sécurité ont également été apposés sur la tondeuse à titre de rappel pour cette importante information pendant le fonctionnement.

Les autocollants identifiés ci-dessous se trouvent sur la tondeuse. Les avertissements de sécurité et les instructions de fonctionnement qu'ils contiennent doivent être lus, compris et suivis. **Ne pas suivre ces avertissements et ces instructions peuvent entraîner de graves blessures, voire la mort.**

Si l'un de ces autocollants est perdu ou endommagé, le remplacer immédiatement. Contacter le concessionnaire pour le remplacement des autocollants.



## Explications des autocollants de sécurité



### A. AVERTISSEMENT : Éviter les blessures sévères ou la mort



Lire le manuel d'utilisation avant de faire fonctionner la tondeuse.



Tondre les pentes de biais, ne pas les monter ni les descendre.



Ne pas tondre lorsqu'il y a des personnes, particulièrement des enfants, aux alentours afin d'éviter de les blesser.



Pour réduire les risques d'incendie, attendre au moins deux (2) minutes avant de faire le plein d'essence.

### B. DANGER : Risques d'objets projetés et d'amputation.



Pour éviter des blessures sévères ou la mort, garder les mains et les pieds à l'écart du plateau de la tondeuse en tout temps lors de son utilisation.

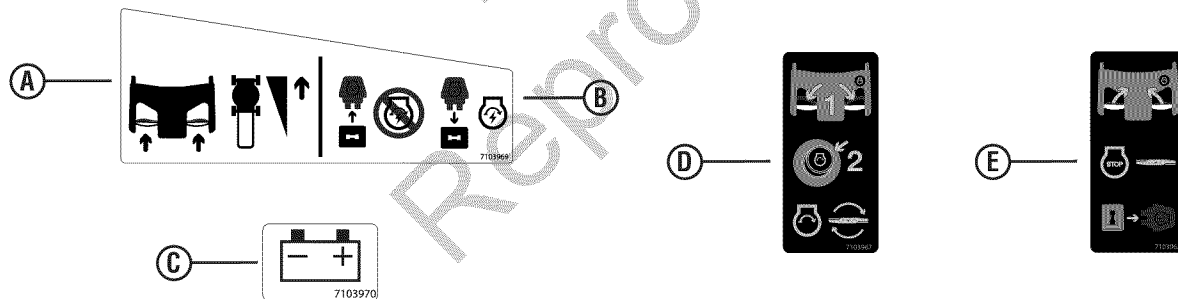


Pour éviter des blessures provoquées par la projection d'objets, ne pas utiliser la tondeuse à moins que tous les composants de déchetage, de décharge et d'ensachage soient correctement en place.

### C. DANGER : Tenir les mains et les pieds à l'écart.

D. AVERTISSEMENT : Le protecteur ou l'ensemble complet du sac à herbe doit être installé avant l'utilisation de la tondeuse.

## Explications des autocollants de fonctionnement



### A. Commande d'entraînement

- Pousser la commande d'entraînement vers l'avant pour propulser la tondeuse. Pousser la commande d'entraînement plus loin vers l'avant pour augmenter la vitesse au sol.

### B. Clé de démarrage

- Retirer la clé de démarrage afin d'empêcher le démarrage de la tondeuse.
- Insérer la clé de démarrage pour permettre le démarrage de la tondeuse.

### C. Recharge de la batterie

- Indique l'emplacement du point d'accès de recharge de la batterie.

### D. Démarrage de la tonte

1. Serrer la commande de lame contre la commande d'entraînement et tirer celle-ci complètement vers l'arrière.
2. Appuyer sur le bouton de démarrage.
  - Le moteur démarrera.

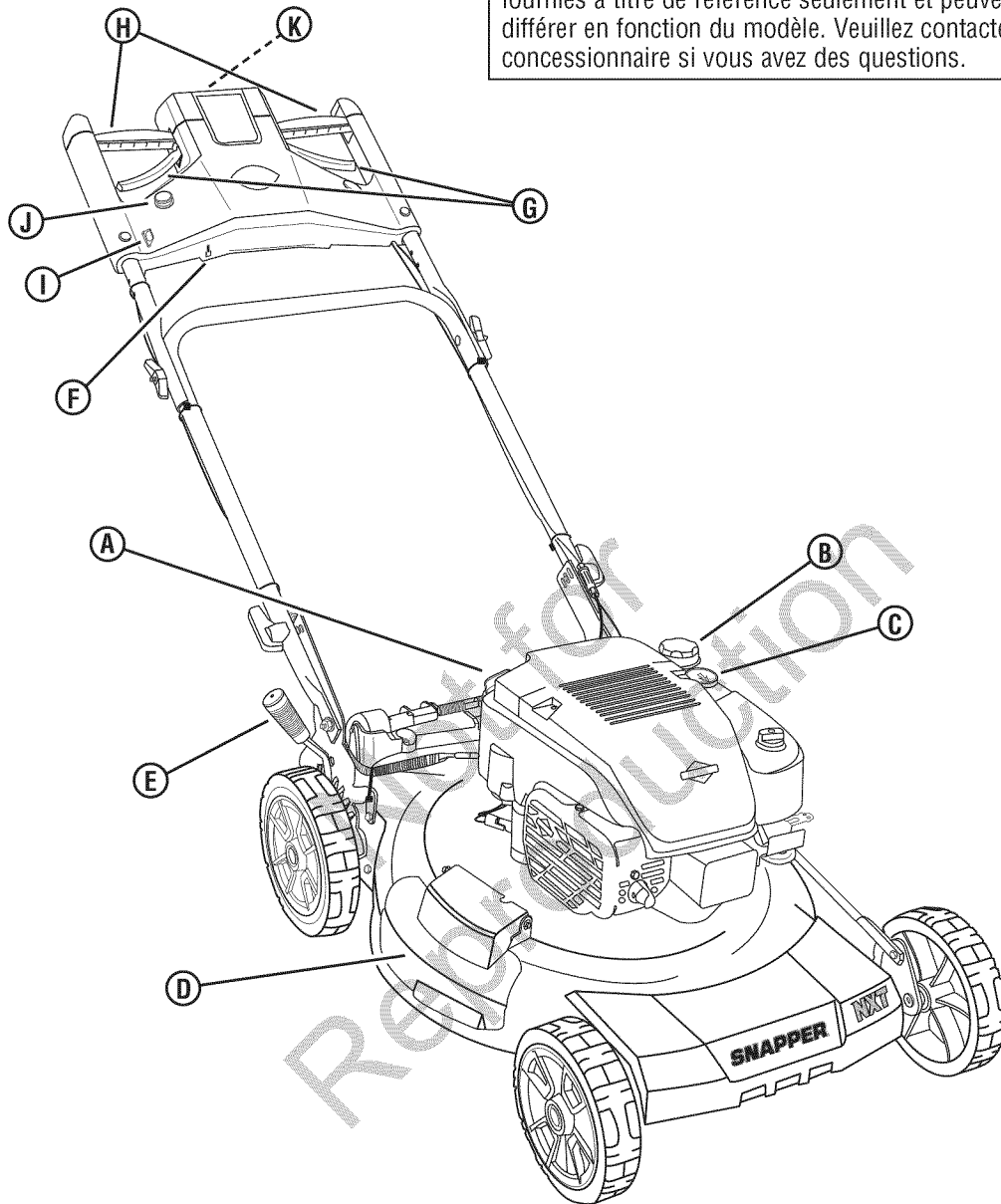
### E. Arrêt de la tonte

- Relâcher la commande de lame.
- Le moteur s'arrêtera.
- Retirer la clé de démarrage afin d'empêcher le démarrage de la tondeuse.

## Caractéristiques et commandes

### IMPORTANT

Les figures et les illustrations dans ce manuel sont fournies à titre de référence seulement et peuvent différer en fonction du modèle. Veuillez contacter votre concessionnaire si vous avez des questions.



- A. Bouchon de remplissage d'huile et jauge d'huile
- B. Bouchon de remplissage de carburant
- C. Jauge de carburant
- D. Couvercle de la déchiqueteuse
- E. Levier de réglage de la hauteur de coupe

- F. Point d'accès de recharge de la batterie
- G. Commande de lame (2)
- H. Commande d'entraînement (2)
- I. Clé de démarrage
- J. Bouton de démarrage
- K. Aide-mémoire d'entretien



## Avant de démarrer

1. Vérifier à ce que les protecteurs, déflecteurs, sac à herbe et les couvercles soient tous en place et serrer fermement.
2. Vérifier la commande de lame (**A, Figure 1**) et la commande d'entraînement (**B**) afin de s'assurer qu'ils fonctionnent librement.

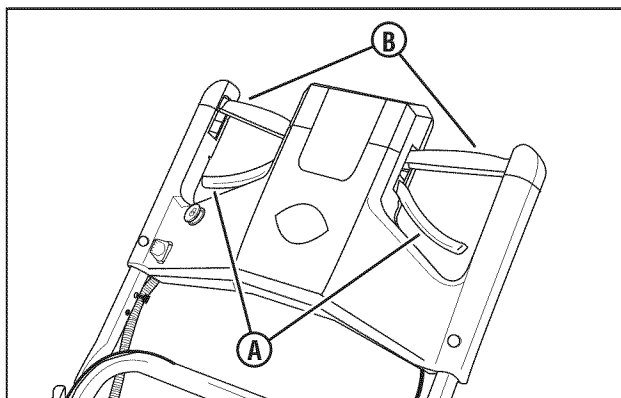


Figure 1 : Commandes de tonte

3. Vérifier la hauteur de coupe. Régler à la hauteur désirée. Se référer à la section intitulée « Réglage de la hauteur de coupe ».
4. Vérifier l'huile moteur :
  - S'assurer que la tondeuse est sur une surface plane.
  - Nettoyer la zone de remplissage d'huile de tout débris.
  - Retirer la jauge d'huile (**A, Figure 2**) et essuyer avec un chiffon propre.
  - Insérer et serrer la jauge d'huile.
  - Retirer la jauge d'huile et vérifier le niveau d'huile. Il devrait être au niveau de l'indicateur de plein (**B**) sur la jauge d'huile.
  - Si le niveau est bas, ajouter l'huile (l'huile Briggs & Stratton SAE30 certifiée pour tondeuses est recommandée) lentement dans le trou de remplissage du moteur. **Ne pas trop remplir.** Après avoir ajouté l'huile, attendre une (1) minute et vérifier de nouveau le niveau d'huile.
  - Replacer et serrer la jauge d'huile.

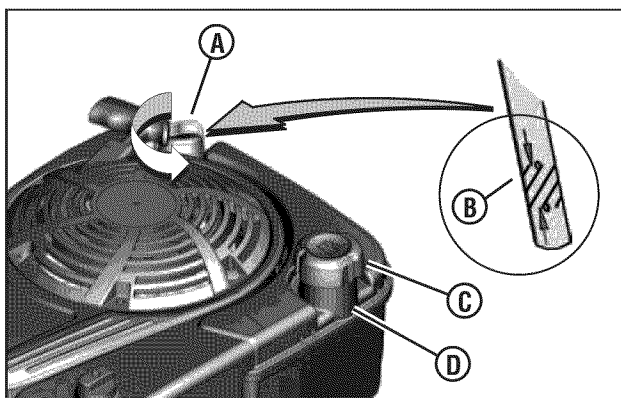


Figure 2 : Remplissage de carburant et d'huile

5. Ajouter le carburant dans le réservoir :
  - S'assurer que la tondeuse est à l'extérieur, où les vapeurs peuvent se dissiper en toute sécurité.
  - Enlever le bouchon de remplissage de carburant (**C, Figure 2**).
  - Remplir le réservoir avec du carburant. Se référer à la section intitulée « Recommandations de carburant ». Afin de permettre l'expansion du carburant, ne pas remplir au-dessus du goulot de remplissage (**D**).
  - Remettre le bouchon de remplissage de carburant.
6. Nettoyer les surfaces extérieures du moteur et du plateau de coupe de tout déversement de carburant ou d'huile et de toute accumulation de saleté, d'herbe, etc. L'admission d'air du moteur et les ailettes de refroidissement doivent être propres en tout temps.
7. Recharge de la batterie. Se référer à la section intitulée « Recharge de la batterie ».

## Recommandations de carburant

### Le carburant doit satisfaire à ces exigences :

- Essence sans plomb, propre et neuf avec
- Un octane minimum de 87 / 87AKI (90 RON).
- Essence ayant jusqu'à 10 % d'éthanol (gasahol) ou jusqu'à 15 % MTBE (éther méthylique du tert-butanol) est acceptable.
- **ATTENTION : NE PAS** utiliser de l'essence non homologuée, tel que E85. Ne pas mélanger l'huile à l'essence ni altérer le moteur pour qu'il puisse fonctionner avec d'autres carburants. Ceci endommagera les composants du moteur et **annuler la garantie du moteur.**

Le moteur sur cet équipement est homologué afin de fonctionner avec de l'essence. Le système de contrôle des émissions pour ce moteur est EM (Engine modifications).

### Haute altitude

À des altitudes dépassant 1 524 mètres (5 000 pieds), un octane minimal de 85 / 85 AKI (89 RON) est acceptable. Afin de se conformer aux émissions, il faut faire un réglage pour haute altitude. L'utilisation sans ce réglage diminuera la performance, augmentera la consommation de carburant ainsi que les émissions de gaz. L'utilisation du moteur à des altitudes en-dessous de 762 mètres (2 500 pieds) avec l'ensemble pour haute altitude n'est pas recommandé.

## Fonctionnement

### Démarrage de la tondeuse

Le moteur sur cette tondeuse est équipée du système ReadyStart<sup>®</sup>, lequel comporte un étrangleur automatique thermorégulé. Il n'est pas équipé d'un étrangleur manuel ni d'un amorceur.

1. Insérer la clé de démarrage (A, Figure 3) dans la fente de connexion sur la console de commande.
2. Serrer la commande de lame (B) contre la commande d'entraînement (C).
3. Tirer la commande d'entraînement complètement vers l'arrière à la position neutre.

**REMARQUE :** La commande de lame et la commande d'entraînement peuvent être actionnées d'un côté comme de l'autre.

4. Pousser le bouton de démarrage (D) pour démarrer le moteur.
5. Pour arrêter le moteur (et la lame), relâcher la commande de lame.
6. Après le démarrage du moteur, attendre que le moteur soit réchauffé et que le moteur tourne rondement avant de commencer la tonte.

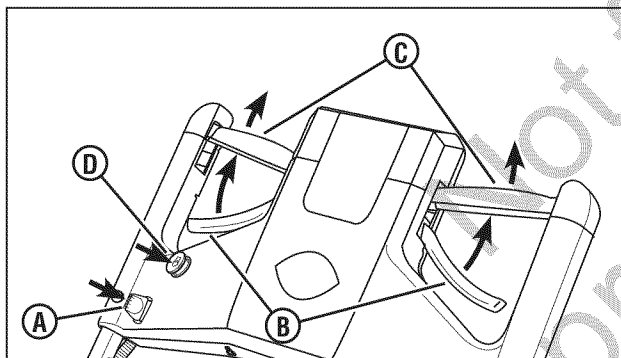


Figure 3 : Démarrage de la tondeuse

### Propulsion de la tondeuse

1. Démarrer le moteur.
2. Pousser lentement la commande d'entraînement (A, Figure 4) vers l'avant pour propulser la tondeuse. On augmente la vitesse en poussant plus loin la commande d'entraînement.

**REMARQUE :** La commande d'entraînement peut être actionnée d'un côté comme de l'autre.

**IMPORTANT :** Lors de la première utilisation, la commande d'entraînement peut nécessiter un réglage. Se reporter à la section intitulée « Réglage de la commande d'entraînement ».

### Arrêt de la tondeuse

1. Arrêter la propulsion de la tondeuse en tirant la commande d'entraînement complètement vers l'arrière.
2. Arrêter le moteur et la lame en relâchant la commande de lame.
3. Retirer la clé de démarrage de la console de commande.

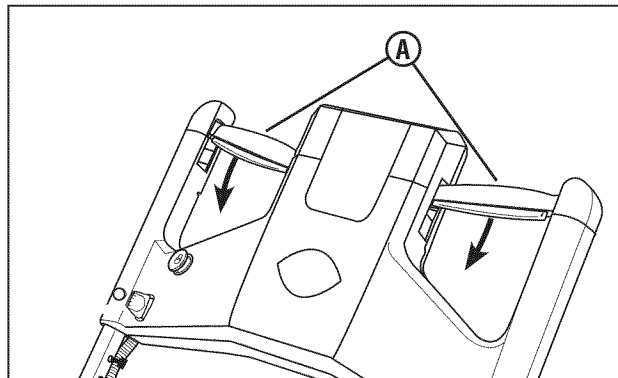


Figure 4 : Propulsion de la tondeuse

**AVERTISSEMENT**  
Afin de prévenir le démarrage non autorisé, toujours retirer la clé de démarrage lorsque la tondeuse est sans surveillance.

### Réglage de la hauteur de la poignée

**AVERTISSEMENT**  
NE PAS effectuer d'entretien, de réglage ou de réparations lorsque le moteur et la lame sont en marche. ARRÊTER la lame et le moteur. Retirer la clé de démarrage. Débrancher et fixer le câble de la bougie d'allumage loin de la bougie. Le moteur et les composants sont CHAUDS. Éviter les brûlures graves, allouer suffisamment de temps pour permettre à tous les composants de refroidir.

On peut ajuster la hauteur de la poignée pour augmenter le confort de l'opérateur.

1. Déposer les manettes qui maintiennent le bas du poignée (A, Figure 5) sur les supports de fixation (B).
2. Aligner les trous de fixation du poignée avec l'un des trois trous de réglage de hauteur dans les supports de fixation.
3. Remonter la visserie déposée précédemment et bien serrer.

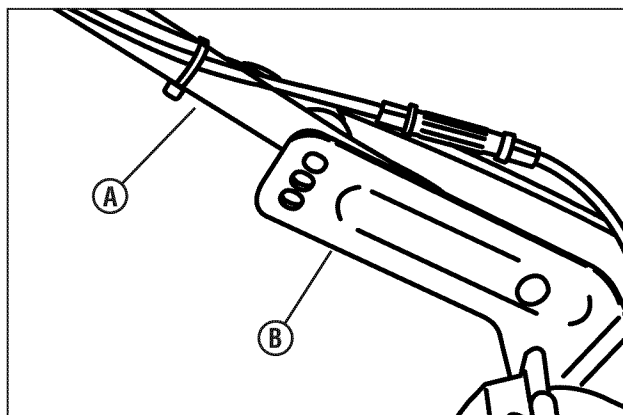


Figure 5 : Réglage de la hauteur de la poignée

## Réglage de la hauteur de coupe

### ⚠ AVERTISSEMENT ⚠

NE PAS effectuer d'entretien, de réglage ou de réparations lorsque le moteur et la lame sont en marche. ARRÊTER la lame et le moteur. Retirer la clé de démarrage. Débrancher et fixer le câble de la bougie d'allumage loin de la bougie. Le moteur et les composants sont CHAUDS. Éviter les brûlures graves, allouer suffisamment de temps pour permettre à tous les composants de refroidir.

Tirer le levier de réglage de la hauteur de coupe (**A**, **Figure 6**) vers l'extérieur et déplacer à la hauteur de coupe désirée. La position la plus élevée est au cran 9 et la position la plus basse est au cran 1 (**Figure 7**). Le levier réglera toutes les roues à la même hauteur de coupe.

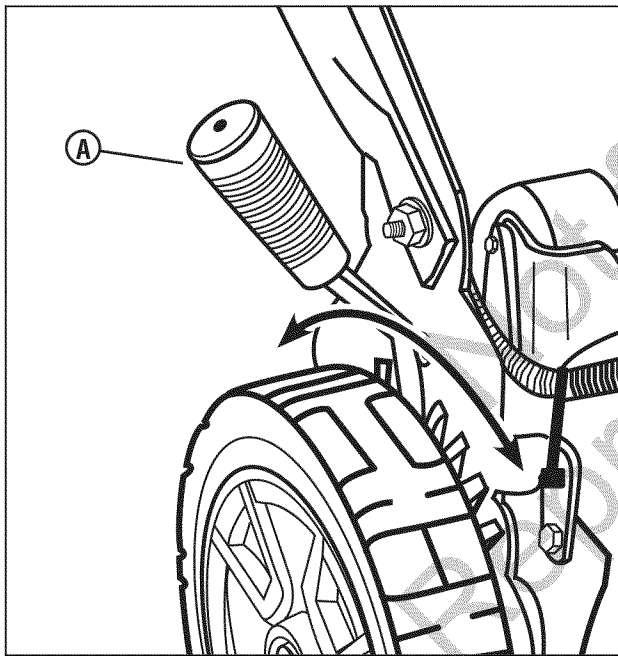


Figure 6 : Réglage de la hauteur de coupe

## Fonctionnement de la déchiqueteuse

Pour des meilleurs résultats de déchiquetage, couper l'herbe jusqu'à un 1/3 au maximum de sa longueur et recycler **UNIQUEMENT** lorsque l'herbe est sec.

1. S'assurer que le déflecteur de décharge ainsi que le sac à herbe soient enlevés et le bouchon de déchiquetage est installé.
2. Régler le levier de hauteur de coupe à la position la plus élevée (Cran 9).
3. Procéder lentement à la tonte. Abaisser graduellement la hauteur de coupe afin d'obtenir la meilleure combinaison de performance de coupe et de déchiquetage. Tondre trop d'herbe en une seule étape, ou couper l'herbe mouillée et lourde peut entraîner l'agglutination et l'obturation du plateau de la tondeuse.

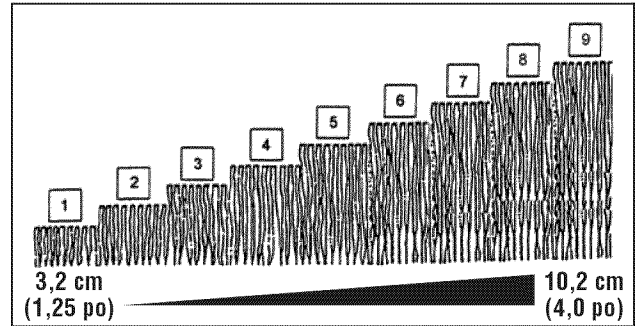


Figure 7 : Réglage de la hauteur de coupe (approximatif)

## Installation du déflecteur de décharge

### ⚠ AVERTISSEMENT ⚠

NE PAS effectuer d'entretien, de réglage ou de réparations lorsque le moteur et la lame sont en marche. ARRÊTER la lame et le moteur. Retirer la clé de démarrage. Débrancher et fixer le câble de la bougie d'allumage loin de la bougie. Le moteur et les composants sont CHAUDS. Éviter les brûlures graves, allouer suffisamment de temps pour permettre à tous les composants de refroidir.

1. Soulever le couvercle de déchiquetage (**A**, **Figure 8**).
2. Installer le déflecteur (**B**) au plateau sous le couvercle de déchiquetage en s'assurant que les onglets de verrouillage sur le plateau (**C**) passent à travers des fentes dans le déflecteur (**B**).
3. Abaisser le couvercle de déchiquetage contre le déflecteur.

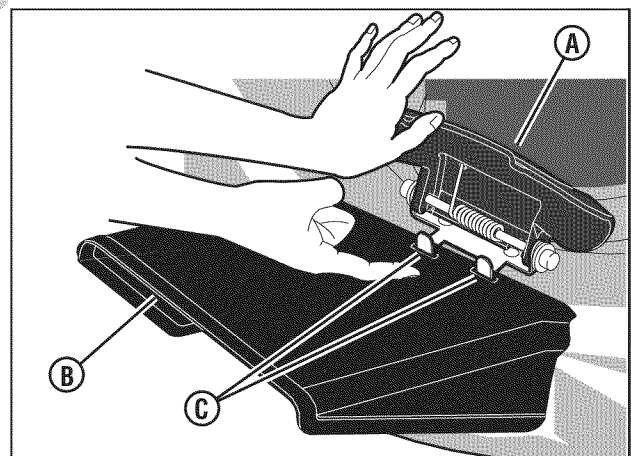


Figure 8 : Installation du déflecteur d'éjection

## Fonctionnement

### Installation du sac à herbe



#### AVERTISSEMENT



NE PAS effectuer d'entretien, de réglage ou de réparations lorsque le moteur et la lame sont en marche. ARRÊTER la lame et le moteur. Retirer la clé de démarrage. Débrancher et fixer le câble de la bougie d'allumage loin de la bougie. Le moteur et les composants sont CHAUDS. Éviter les brûlures graves, allouer suffisamment de temps pour permettre à tous les composants de refroidir.

**Important :** Le bouchon de déchetage doit être retiré uniquement lorsque l'ensachage est désiré et doit être remplacé dès que l'ensachage est terminé.

1. Soulever la porte d'éjection arrière (**A**, Figure 9).
2. Enlever le bouchon de déchetage (**B**) du conduit d'éjection arrière.

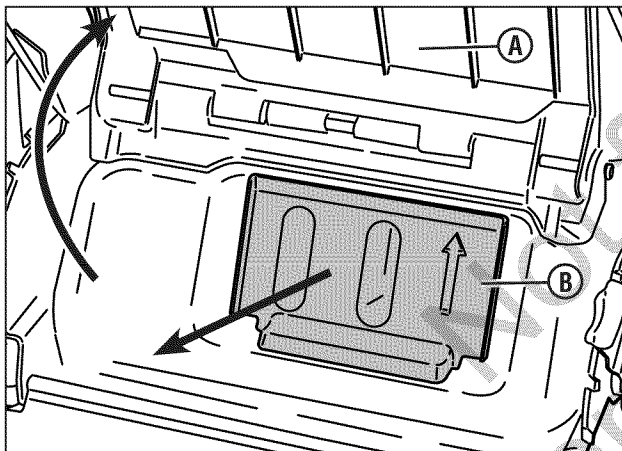


Figure 9 : Dépose du bouchon de déchetage

3. En tenant la poignée du sac à herbe (**A**, Figure 10), installer le sac à herbe sur la tondeuse en s'assurant que les crochets du sac à herbe (**B**) sont accrochés sur la tige de pivot de la porte arrière (**C**).



Figure 10 : Installation du sac à herbe



#### AVERTISSEMENT



Les sacs à herbes sont fabriqués de tissu tissé et sont sujet à la détérioration et à l'usure pendant une utilisation normale. Vérifier l'état du sac avant chaque utilisation. Remplacer immédiatement les sacs usés ou endommagés uniquement avec des sacs recommandés par le fabricant. Le sac à herbe est un équipement en option sur certains modèles.

### Recharge de la batterie

La batterie dans cette tondeuse est scellée et sans entretien et ne requière aucun entretien autre que la recharge. Si la batterie n'accepte pas la recharge, apporter la tondeuse à un centre de réparations agréé afin de la faire réparer.

1. À l'aide du chargeur fourni, brancher le connecteur du chargeur dans le point d'accès de recharge de la batterie (**A, Figure 11**). Brancher le chargeur dans une prise murale et recharger la batterie pendant 12 à 24 heures. (Des périodes plus longues n'endommageront pas la batterie.)

**Important :** Utiliser uniquement le chargeur fourni avec la tondeuse pour recharger la batterie. L'utilisation d'un autre chargeur peut endommager la batterie et / ou la tondeuse.

2. Lorsque la recharge est terminée, débrancher et ranger le chargeur.

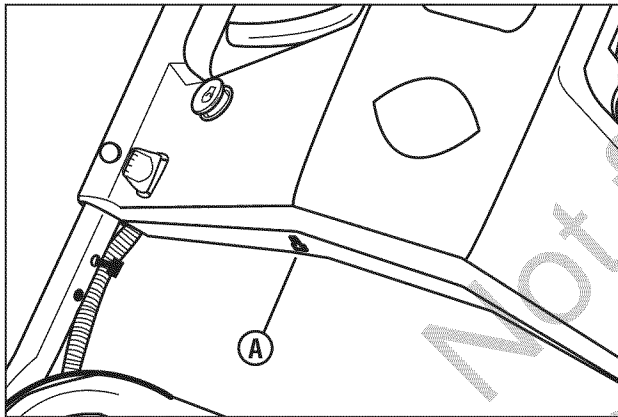


Figure 11 : Point d'accès de recharge de la batterie



#### AVERTISSEMENT



Tenir la batterie éloignée du feu, d'une flamme nue et des étincelles pendant sa recharge. Ne jamais utiliser un survolteur sur la batterie.

## Fonctionnement

### Aide-mémoire d'entretien

L'aide-mémoire d'entretien (**A**, **Figure 12**) fournit des rappels opportuns des points d'entretien importants. Il est pourvu de six (6) modes d'affichage :

#### Total des heures

Affiche le total des heures de fonctionnement de la tondeuse. Ceci est l'écran par défaut.

#### Heures de parcours

Pour afficher :

Appuyer sur le bouton « Mode » (**B**) jusqu'à ce que l'écran « Heures de parcours » (Trip hours) s'affiche.

Pour réinitialiser :

Appuyer et maintenir le bouton « Reset » (Réinitialisation) (**C**) pendant plus de 3 secondes.

#### Horloge

Pour afficher :

Appuyer sur le bouton « Mode » jusqu'à ce que l'écran « Clock » (Horloge) s'affiche.

Pour régler :

1. Appuyer et maintenir le bouton « Mode » pendant plus de 3 secondes. L'affichage heure clignotera.
2. Appuyer sur le bouton « Reset » (Réinitialisation) pour programmer l'heure.
3. Appuyer sur le bouton « Mode ». L'affichage minutes clignotera.
4. Appuyer sur le bouton « Reset » (Réinitialisation) pour programmer les minutes.
5. Appuyer et maintenir le bouton « Mode » pendant plus de 3 secondes pour sauvegarder la programmation.

#### Changer l'huile

L'icône « Change Oil » (Changer l'huile) (**D**) apparaîtra après les premières 5 heures (total des heures) de fonctionnement, par la suite à toutes les 25 heures de fonctionnement. Ceci indique qu'il est temps de changer l'huile. Il faut suivre les procédures décrites dans ce manuel.

Pour réinitialiser :

1. Appuyer sur le bouton « Mode » jusqu'à ce que l'écran « Change Oil » (Changer l'huile) s'affiche. (L'icône clignotera.)
2. Appuyer et maintenir le bouton « Reset » (Réinitialisation) pendant plus de 3 secondes.

*REMARQUE* : S'il n'est pas réinitialisé, l'icône « Change Oil » (Changer l'huile) disparaîtra automatiquement après 3 heures de fonctionnement.

#### Bougie d'allumage

L'icône « Spark Plug » (Bougie d'allumage) (**E**) apparaîtra toutes les 50 heures (total des heures) de fonctionnement. Ceci indique qu'il est temps de changer la bougie d'allumage. Il faut suivre les procédures décrites dans ce manuel.

Pour réinitialiser :

1. Appuyer sur le bouton « Mode » jusqu'à ce que l'écran « Spark Plug » (Bougie d'allumage) s'affiche. (L'icône clignotera.)
2. Appuyer et maintenir le bouton « Reset » (Réinitialisation) pendant plus de 3 secondes.

*REMARQUE* : S'il n'est pas réinitialisé, l'icône « Spark Plug » (Bougie d'allumage) disparaîtra automatiquement après 3 heures de fonctionnement.

#### Filtre à air

L'icône « Air Filter » (Filtre à air) (**F**) apparaîtra toutes les 50 heures (total des heures) de fonctionnement. Ceci indique qu'il est temps de changer le filtre à air. Il faut suivre les procédures décrites dans ce manuel.

Pour réinitialiser :

1. Appuyer sur le bouton « Mode » jusqu'à ce que l'écran « Air filter » (Filtre à air) s'affiche. (L'icône clignotera.)
2. Appuyer et maintenir le bouton « Reset » (Réinitialisation) pendant plus de 3 secondes.

*REMARQUE* : S'il n'est pas réinitialisé, l'icône « Air Filter » (Filtre à air) disparaîtra automatiquement après 3 heures de fonctionnement.

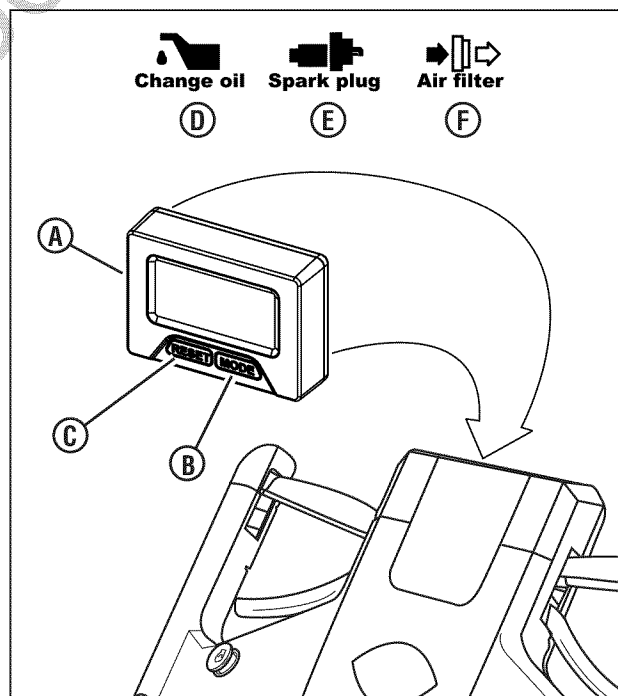


Figure 12 : Aide-mémoire d'entretien

## Tableau d'entretien

**⚠ AVERTISSEMENT ⚠**

NE PAS effectuer d'entretien, de réglage ou de réparations lorsque le moteur et la lame sont en marche. ARRÊTER la lame et le moteur. Retirer la clé de démarrage. Débrancher et fixer le câble de la bougie d'allumage loin de la bougie. Le moteur et les composants sont CHAUDS. Éviter les brûlures graves, allouer suffisamment de temps pour permettre à tous les composants de refroidir. Porter des gants en cuir épais lors de travaux à proximité des lames de coupe ou lors de leur manipulation. Les lames sont extrêmement tranchantes et peuvent causer de graves blessures.

### Système de contrôle des émissions

L'entretien, le remplacement ou la réparation du système de contrôle des émissions et de ses dispositifs peuvent être effectué par tout établissement de réparations de moteur hors route ou par un individu. Toutefois, pour obtenir un entretien du système de contrôle des émissions « sans frais », le travail doit être effectué par un concessionnaire agréé par le fabricant. Voir la garantie du système de contrôle des émissions.

TONDEUSE
<b>Toutes les 8 heures ou quotidiennement</b>
Vérification de système de verrouillage de sécurité
Nettoyage des débris sur la tondeuse
<b>À toutes les 25 heures ou annuellement *</b>
Vérifier le serrage de la visserie de la tondeuse
<b>Prendre rendez-vous chaque année avec le concessionnaire pour</b>
Lubrifier la tondeuse
Vérifier les lames de la tondeuse **
Vérifier le temps d'arrêt des lames de la tondeuse
Vérifier la courroie d'entraînement
Nettoyer la batterie et les câbles

\* Selon la première éventualité

\*\*Vérifier plus fréquemment la lame dans les régions ayant un sol sablonneux ou dont les conditions sont poussiéreuses.

MOTEUR
<b>Première 5 heures</b>
Changer l'huile moteur
<b>Toutes les 8 heures ou quotidiennement</b>
Vérifier le niveau d'huile moteur
<b>À toutes les 25 heures ou annuellement *</b>
Nettoyer le filtre à air et le préfiltre (si équipé) **
<b>À toutes les 50 heures ou annuellement *</b>
Changer l'huile moteur
Remplacer le filtre à huile (si équipé)
<b>Annuellement</b>
Changer le filtre à air
Remplace le préfiltre (si équipé)
<b>Prendre rendez-vous chaque année avec le concessionnaire pour</b>
Contrôler le silencieux et le pare-étincelles (si équipé)
Remplacer la bougie d'allumage
Remplacer le filtre à carburant (si équipé)
Nettoyer le système de refroidissement du moteur

\* Selon la première éventualité

\*\*Nettoyer plus fréquemment lorsque les conditions sont poussiéreuses ou en présence de débris atmosphériques.

## Entretien

### Changement de l'huile moteur



#### AVERTISSEMENT



NE PAS effectuer d'entretien, de réglage ou de réparations lorsque le moteur et la lame sont en marche. ARRÊTER la lame et le moteur. Retirer la clé de démarrage. Débrancher et fixer le câble de la bougie d'allumage loin de la bougie. Le moteur et les composants sont CHAUDS. Éviter les brûlures graves, allouer suffisamment de temps pour permettre à tous les composants de refroidir.

1. Vidanger complètement le réservoir de carburant.
2. Enlever la jauge d'huile (A, Figure 13), puis basculer la tondeuse sur son côté. Permettre à l'huile de se vider du tube de remplissage d'huile dans un récipient approprié. Jeter l'huile usée de façon appropriée.
3. Mettre la tondeuse debout et remplir le moteur d'huile moteur jusqu'à l'indicateur « full » sur la jauge d'huile. L'huile certifiée pour tondeuses Briggs & Stratton SAE30 est recommandée. **Ne pas trop remplir.**

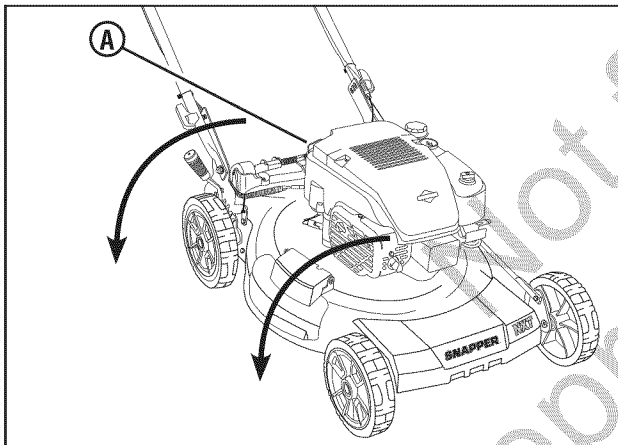


Figure 13 : Vidange de l'huile moteur

### Entretien du filtre à air



#### AVERTISSEMENT



Si le filtre à air ou l'ensemble de filtrage (si équipé) est enlevé (si équipé), ne pas faire fonctionner le moteur.

*REMARQUE :* Ne pas utiliser l'air sous pression ni des solvants pour nettoyer le filtre. L'air sous pression peut endommager le filtre et les solvants peuvent dissoudre le filtre.

1. Enlever la fixation (A, Figure 14) et le couvercle du filtre à air (B).
2. Enlever le préfiltre (C) et le filtre (D).
3. Pour déloger les débris, frapper doucement le filtre sur une surface dure. Si le filtre est très sale, remplacer par un filtre neuf.
4. Laver le préfiltre au détergent liquide et à l'eau. Puis laisser sécher complètement à l'air libre. Ne pas lubrifier le préfiltre.
5. Assembler le préfiltre séché au filtre.
6. Installer le filtre et le préfiltre dans la base (E). S'assurer que le filtre est bien placé dans la base.
7. Installer le couvercle du filtre à air et le fixer avec la fixation. S'assurer que la fixation est fermement serrée.

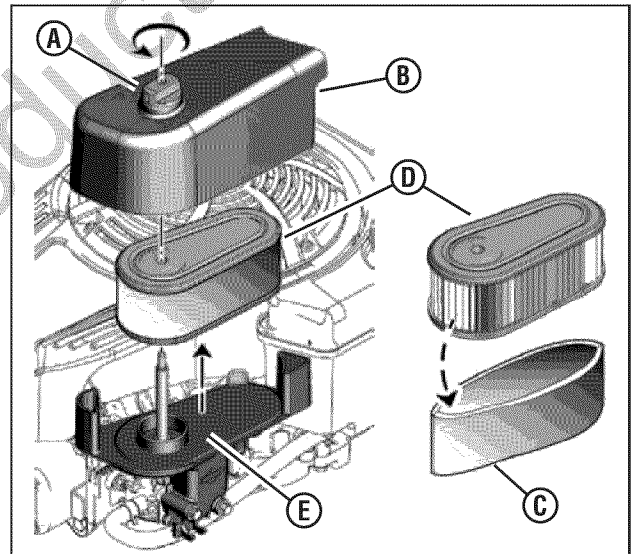


Figure 14 : Filtre à air et préfiltre



## Contrôler le système de verrouillage de sécurité

1. Démarrer la tondeuse.
2. Relâcher la commande des lames. **Le moteur doit s'arrêter dans les 3 secondes.**

Si le moteur ne s'arrête pas, **ne pas utiliser la tondeuse.** Apporter la tondeuse à un concessionnaire agréé pour réparation.

## Nettoyage de la tondeuse



### AVERTISSEMENT



NE PAS effectuer d'entretien, de réglage ou de réparations lorsque le moteur et la lame sont en marche. ARRÊTER la lame et le moteur. Retirer la clé de démarrage. Débrancher et fixer le câble de la bougie d'allumage loin de la bougie. Le moteur et les composants sont CHAUDS. Éviter les brûlures graves, allouer suffisamment de temps pour permettre à tous les composants de refroidir. Porter des gants en cuir épais lors de travaux à proximité des lames de coupe ou lors de leur manipulation. Les lames sont extrêmement tranchantes et peuvent causer de graves blessures.

1. Nettoyer saletés et débris sur le dessus du plateau de la tondeuse.
2. Nettoyer toute accumulation de débris sur et autour du moteur, etc.

Pendant le nettoyage, vérifier les composants pour usure et dommage. Remplacer les composants usés et endommagés immédiatement.

## Point d'accès de rinçage



### AVERTISSEMENT



- Porter des lunettes de protection appropriées.
- Maintenir les personnes et les animaux hors de la zone.
- Rester derrière la poignée lorsque le moteur est en marche.
- Ne pas effectuer de tonte pendant l'utilisation du point d'accès de rinçage.
- Ne pas tenter de regarder sous le plateau de la tondeuse ni d'aller dessous pour quelque raison que ce soit pendant l'utilisation du point d'accès de rinçage. De graves blessures peuvent en résulter.

Le point d'accès de rinçage permet de nettoyer le dessous du plateau de la tondeuse sans les mains. Pour utiliser le point d'accès de rinçage :

1. S'assurer que le sac à herbe et le déflecteur d'éjection de côté sont enlevés.
2. Régler la hauteur de coupe à la plus basse position.
3. Déplacer la tondeuse sur une surface pavée et plane.
4. Arrêter le moteur.
5. Raccorder l'extrémité mâle d'un boyau d'arrosage standard au point d'accès de rinçage (**A, Figure 15**).

6. Ouvrir l'alimentation en eau au boyau d'arrosage.
7. Démarrer le moteur et laisser fonctionner jusqu'à ce qu'il n'y a plus aucun débris sortant du dessous du plateau de la tondeuse.
8. Arrêter le moteur.
9. Fermer l'alimentation en eau au boyau d'arrosage.
10. Retirer le boyau d'arrosage du point d'accès de rinçage.
11. Démarrer le moteur et laisser fonctionner pendant 2 à 3 minutes afin de permettre au dessous du plateau de sécher.

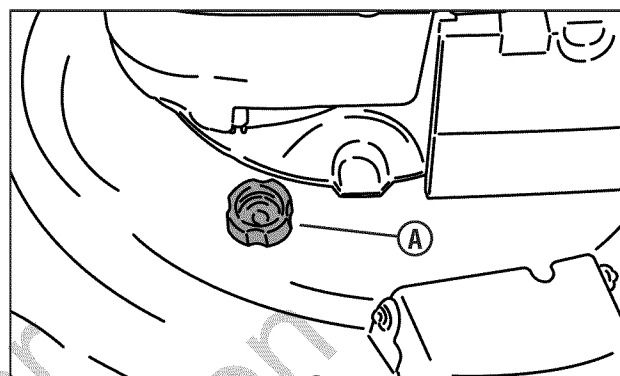


Figure 15 : Point d'accès de rinçage

## Entretien

### Réglage de la commande d'entraînement



#### AVERTISSEMENT



NE PAS effectuer d'entretien, de réglage ou de réparations lorsque le moteur et la lame sont en marche. ARRÊTER la lame et le moteur. Retirer la clé de démarrage. Débrancher et fixer le câble de la bougie d'allumage loin de la bougie. Le moteur et les composants sont CHAUDS. Éviter les brûlures graves, allouer suffisamment de temps pour permettre à tous les composants de refroidir.

La commande d'entraînement (**A, Figure 16**) devrait embrayer la transmission lorsque la commande est poussée vers l'avant, et devrait désembrayer la transmission lorsqu'elle est tirée complètement vers l'arrière.

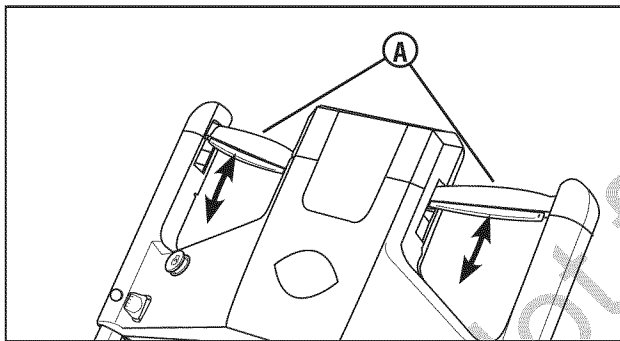


Figure 16 : Commande d'entraînement

Si la transmission ne s'embraye ou ne se désembraye pas, un réglage peut être effectué comme suit :

- Si la transmission ne s'embraye pas, tourner le tendeur (**A, Figure 17**) un demi tour pour déplacer les bagues d'extrémité (**B**) hors du tendeur. Vérifier et répéter au besoin.
- Si la transmission ne se désembraye pas, tourner le tendeur un demi tour pour déplacer les bagues d'extrémité vers le tendeur. Vérifier et répéter au besoin.

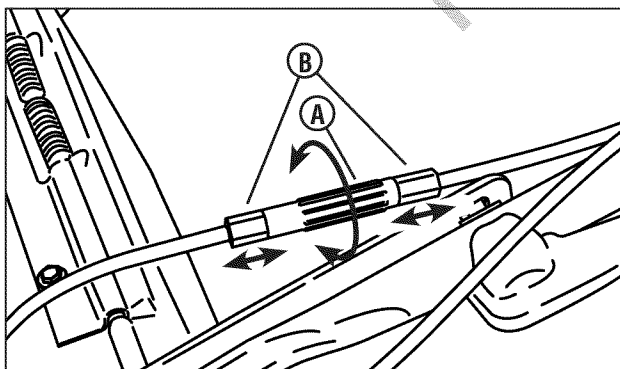


Figure 17 : Réglage du câble d'entraînement

**Avertissement :** Un réglage incorrect peut causer une usure prématurée et / ou des dommages aux composants d'entraînement.

### Procédure pour l'entreposage



#### AVERTISSEMENT



NE PAS effectuer d'entretien, de réglage ou de réparations lorsque le moteur et la lame sont en marche. ARRÊTER la lame et le moteur. Retirer la clé de démarrage. Débrancher et fixer le câble de la bougie d'allumage loin de la bougie. Le moteur et les composants sont CHAUDS. Éviter les brûlures graves, allouer suffisamment de temps pour permettre à tous les composants de refroidir. Porter des gants en cuir épais lors de travaux à proximité des lames de coupe ou lors de leur manipulation. Les lames sont extrêmement tranchantes et peuvent causer de graves blessures.

Préparer la tondeuse pour l'entreposage de « fin de saison » comme suit :

1. Débrancher et fixer le câble de la bougie d'allumage loin de la bougie.
2. Vidanger le réservoir de carburant et laisser le moteur fonctionner jusqu'à ce qu'il n'y a plus d'essence dans le carburateur.

**REMARQUE :** Si un stabilisateur de carburant est utilisé, il n'y a aucun besoin de vidanger le réservoir de carburant. Se référer à la section intitulée « Système d'alimentation ».

3. Utiliser une brosse ou de l'air comprimé pour déloger les débris, puis utiliser un chiffon humide pour essuyer l'appareil.
4. Basculer la tondeuse sur ses roues arrière et vérifier le dessous du plateau. (Ne pas basculer la tondeuse si la bougie d'allumage ou le carburateur sont retirés.) Gratter les accumulations tenaces d'herbe avec un couteau à mastic et / ou une brosse métallique.
5. Lubrifier toutes les parties métalliques exposées avec une légère couche d'huile afin de prévenir la corrosion.
6. Plier soigneusement la poignée en fléchissant les câbles de commande afin de prévenir les dommages à ceux-ci.
7. Entreposer la tondeuse dans une remise ou tout autre endroit sec et protégé contre les intempéries.

### Système d'alimentation

Le carburant peut s'éventer s'il est entreposé plus de 30 jours. Le carburant éventé provoque des dépôts acides qui se forment dans le système d'alimentation ou sur les pièces essentielles du carburateur. Pour garder le carburant frais, utiliser le stabilisateur de carburant Briggs & Stratton FRESH START®, disponible comme additif liquide ou en goutte concentrée sous forme de cartouche.

Il n'est pas nécessaire de vidanger l'essence du moteur si un stabilisateur de carburant est ajouté conformément aux directives. Faire fonctionner le moteur pendant 2 minutes pour faire circuler le stabilisateur dans le circuit du système d'alimentation. Le moteur et le carburant peuvent alors être entreposés jusqu'à 24 mois.

Si l'essence dans le moteur n'a pas été traitée avec un stabilisateur de carburant, elle doit être vidangée dans un récipient homologué. Faire fonctionner le moteur jusqu'à ce qu'il s'arrête à cause du manque de carburant. L'utilisation d'un stabilisateur de carburant dans un récipient d'entreposage est recommandé afin de maintenir la fraîcheur.

PROBLÈME	CAUSE PROBABLE	MESURES CORRECTIVES
Le moteur ne démarre pas	1. Le réservoir de carburant est vide.	1. Remplir de carburant frais le réservoir.
	2. La clé de démarrage n'est pas insérée.	2. Insérer la clé de démarrage dans la console de commande.
	3. Le câble de la bougie d'allumage est débranché.	3. Brancher le câble de bougie sur la bougie d'allumage.
	4. Faisceau de câbles débranché.	4. Brancher le faisceau de câbles.
	5. La batterie est morte.	5. Recharger ou remplacer la batterie.
Le moteur cale ou perd de la puissance après avoir fonctionné	1. La commande de lame est relâchée ou elle n'est pas tenue fermement contre la commande d'entraînement.	1. La commande de lame doit être tenue fermement contre la commande d'entraînement en tout temps lors de l'utilisation.
	2. Le réservoir de carburant est vide.	2. Remplir de carburant à un niveau approprié.
	3. Le préfiltre et / ou le filtre à air sont sales.	3. Nettoyer ou remplacer le préfiltre et / ou le filtre à air.
	4. La bougie d'allumage est noyée ou l'écartement de la bougie est mal réglé.	4. Entretien la bougie d'allumage.
	5. Eau, débris ou carburant éventé dans le système d'alimentation.	5. Vidanger et nettoyer le système d'alimentation.
Vibration excessive	1. Lame de la tondeuse endommagée, déséquilibrée ou déformée.	1. Prendre contact avec un concessionnaire agréé.
	2. Composants de lame desserrés.	2. Prendre contact avec un concessionnaire agréé.
	3. Air-lift desserré ou manquant (si équipé).	3. Prendre contact avec un concessionnaire agréé.
	4. Courroie bosselée ou effilochée.	4. Prendre contact avec un concessionnaire agréé.
La tondeuse n'avance pas / Perte de traction	1. Accumulation de débris sur ou autour des composants d'entraînement.	1. Nettoyer les débris.
	2. Réglage du câble de la transmission requis.	2. Régler le câble de la transmission.
	3. La courroie d'entraînement doit être remplacée.	3. Prendre contact avec un concessionnaire agréé.
	4. Transmission endommagée.	4. Prendre contact avec un concessionnaire agréé.
Mauvaise coupe de l'herbe	1. La hauteur de coupe est trop basse ou trop élevée.	1. Régler la hauteur de coupe.
	2. Vitesse au sol trop rapide.	2. Régler à une vitesse plus lente.
	3. Lame de coupe émoussée ou endommagée.	3. Prendre contact avec un concessionnaire agréé.
Éjection faible de l'herbe	1. Vitesse au sol trop rapide.	1. Régler à une vitesse plus lente.
	2. L'herbe est mouillée.	2. Tondre lorsque l'herbe est sèche.
	3. Lame très usée ou endommagée.	3. Prendre contact avec un concessionnaire agréé.
	4. Accumulation d'herbe coupée ou de débris sous le plateau.	4. Nettoyer le plateau.
	5. Mauvaise lame installée sur le plateau.	5. Prendre contact avec un concessionnaire agréé.
	6. Lame mal installée sur le plateau.	6. Prendre contact avec un concessionnaire agréé.
Fuite d'huile	1. Jauge d'huile desserrée.	1. S'assurer que la jauge d'huile / bouchon de remplissage est bien serrée en place.
	2. Bouchon de vidange desserré.	2. Vérifier et serrer le bouchon de vidange.
	3. Le niveau d'huile est trop élevé.	3. Vider l'excès d'huile.
	4. Joint d'étanchéité endommagés.	4. Prendre contact avec un concessionnaire agréé.

# Garanties

## BRIGGS & STRATTON POWER PRODUCTS GROUP, L.L.C. POLITIQUE DE GARANTIE DU PROPRIÉTAIRE

### GARANTIE LIMITÉE

Si une pièce de cet équipement présente un vice de matériau ou de fabrication, Briggs & Stratton Power Products Group, LLC s'engage à la réparer ou la remplacer gratuitement. Si une pièce du moteur Briggs et Stratton (si équipé) présente un vice de matériau ou de fabrication, Briggs & Stratton Corporation s'engage à la réparer ou la remplacer gratuitement. Les frais de transport du produit à réparer ou remplacer seront, au titre de cette garantie, réglés par l'acheteur. Cette garantie est en vigueur pour les périodes de temps et conformément aux conditions stipulées ci-dessous. Pour obtenir le service de garantie, veuillez vous adresser au distributeur autorisé le plus proche dont vous trouverez les coordonnées sur [www.BriggsandStratton.com](http://www.BriggsandStratton.com) ou [www.Snapper.com](http://www.Snapper.com).

Il n'y a aucune autre garantie explicite. Les garanties implicites, y compris celles de qualité marchande et d'adaptation à un emploi particulier, sont limitées à une année à partir de la date d'acquisition ou conformément à ce qui est prévu par la loi. La responsabilité juridique pour les dommages consécutifs ou indirects est exclue dans la mesure où l'exclusion est autorisée par la loi.

Certains États ou pays ne permettent pas les limitations de durée de la garantie implicite. Certains États ou pays n'autorisent pas l'exclusion ou la limitation des dommages consécutifs ou indirects. Dans ce cas, la limitation ci-dessus ne s'applique pas à votre cas. La présente garantie vous offre des droits juridiques spécifiques et il se peut que vous ayez d'autres droits qui varient d'une juridiction à une autre, ou de pays à pays.

### PÉRIODE DE GARANTIE

Article	Usage domestique	Usage commercial :
Équipement	2 Ans	90 Jours
Moteur*	2 Ans	90 Jours
Batterie	1 An	1 An

La garantie commence à la date d'acquisition du produit par le consommateur au détail ou commercial final, et continue tout au long de la période indiquée ci-dessus. « Usage domestique » signifie que le produit sera utilisé par un consommateur au détail dans un but privé. « Usage commercial » indique toutes les autres utilisations possibles, y compris commerciales, génératrices de revenus ou locatives. Une fois que le produit a été utilisé dans un but commercial, il sera considéré comme d'utilisation commerciale dans le cadre de cette garantie.

Aucun enregistrement de la garantie n'est nécessaire pour obtenir la garantie des produits de marque Briggs & Stratton. Veuillez garder le reçu de votre achat. Si vous ne pouvez pas fournir la preuve de l'achat au moment de faire une demande se rapportant à la garantie, la date de fabrication du produit sera utilisée pour déterminer l'admissibilité à la garantie.

Nous sommes totalement disponibles à réaliser des réparations dans le cadre de la garantie et nous nous prions d'accepter nos excuses.

### À PROPOS DE VOTRE GARANTIE

anticipées pour les désagréments éventuels. Le service de garantie est offert uniquement par l'intermédiaire des distributeurs autorisés par Briggs & Stratton ou BSPPG, LLC.

La plupart des réparations sous garantie sont traitées normalement mais parfois, les demandes sous garantie peuvent ne pas être pertinentes. Cette garantie couvre uniquement les vices de matériau ou de fabrication. Elle ne couvre pas des dommages causés par une mauvaise utilisation ou des abus, un mauvais entretien ou une réparation incorrecte, une usure normale ou l'utilisation de carburant vicié ou non approuvé.

**Mauvaise utilisation et abus** - Une bonne utilisation, telle que prévue, du produit est décrite dans le manuel de l'opérateur. L'utilisation de la machine de façon autre que celle décrite dans le manuel d'utilisation ou son utilisation après qu'elle ait été endommagée annulera la garantie. Vous ne pourrez vous prévaloir de la garantie si le numéro de série sur la machine a été supprimé ou si la machine a été modifiée d'une manière quelconque, ou si elle présente des preuves d'abus, tel que coups, corrosion par l'eau ou des produits chimiques.

**Mauvais entretien ou réparation** - Cette machine doit être entretenue conformément aux procédures et aux intervalles indiqués dans le manuel de l'opérateur, l'entretien et les réparations doivent être effectués avec des pièces d'origine Briggs & Stratton. Les dommages causés par le manque d'entretien ou l'utilisation de pièces n'étant pas d'origine ne sont pas couverts par la garantie.

**Usure normale** - Comme tout équipement mécanique, malgré un bon entretien, le vôtre est sujet à une usure. La présente garantie ne couvre pas les réparations lorsque la durée de vie de la machine s'est achevée après une utilisation normale. Les articles d'entretien et d'usure, tels que filtres, courroies, lames et plaquettes de freins (les plaquettes de frein moteur sont couvertes) ne sont pas couverts par la garantie, uniquement en raison de leur caractéristique d'usure, à moins que la cause soit due à des vices du matériel ou de fabrication.

**Carburant éventé** - Afin de fonctionner correctement, cette machine doit être alimentée avec un carburant propre conforme au critère précisé dans le manuel de l'opérateur. Les dommages causés par le carburant éventé (fuites de carburateur, conduites du système d'alimentation obstruées, soupapes collantes, etc.) ne sont pas couverts par la garantie.

\* Concerne les moteurs Briggs et Stratton seulement. La couverture pour les moteurs autres que Briggs et Stratton est offerte par le fabricant du moteur.

## Déclaration de garantie du système de contrôle des émissions de l'État de Californie, de l'U.S. EPA et de Briggs & Stratton Corporation Droits et obligations du propriétaire au titre de la garantie

avril 2011

Le California Air Resources Board (CARB), l'U.S. EPA et Briggs & Stratton (B&S) ont le plaisir de vous expliquer la garantie du système de contrôle des émissions pour votre moteur/équipement fabriqué 2011-2012. En Californie, les petits moteurs à usage non routier et les gros moteurs à explosion d'un litre ou moins, neufs, doivent être conçus, fabriqués et équipés pour répondre aux normes sévères anti-effet de serre de l'État. B&S doit garantir le système de contrôle des émissions de votre moteur/équipement pendant les durées indiquées ci-après, en supposant que le moteur ou l'équipement n'ait pas fait l'objet d'abus, de négligence ou d'un mauvais entretien.

Le système de contrôle des émissions peut comprendre des pièces comme le carburateur ou le système d'injection de carburant, le réservoir de carburant, le système d'allumage et le convertisseur catalytique. Des durites, des courroies, des connecteurs, des capteurs et d'autres assemblages impliqués dans les émissions peuvent aussi en faire partie.

Si la condition de garantie est remplie, B&S réparera gratuitement votre moteur/équipement y compris le diagnostic, les pièces et la main-d'œuvre.

### Couverture de la garantie du fabricant:

Les petits moteurs à usage non routier et les gros moteurs à explosion d'un litre ou moins sont garantis pendant une période de deux (2) ans. Si une pièce liée aux émissions de votre moteur/équipement est défectueuse, Briggs & Stratton la réparera ou la remplacera.

### Responsabilités du propriétaire au titre de la garantie:

- En tant que propriétaire d'un moteur/équipement, vous êtes responsable de l'entretien nécessaire indiqué dans le manuel d'utilisation. B&S recommande de conserver toutes les factures de maintenance de votre moteur/équipement mais B&S ne peut renier la garantie uniquement à cause de l'absence de factures ou parce que tous les entretiens n'ont pas été effectués en temps prévu.
- En tant que propriétaire d'un moteur/équipement, vous devez néanmoins savoir que B&S peut refuser d'appliquer la garantie si la défectuosité de votre moteur/équipement ou d'une partie de celui-ci est due à un abus, une négligence, un entretien non correct ou des modifications non approuvées.
- Vous avez la responsabilité de confier votre moteur/équipement à un centre de distribution, un Réparateur Agréé ou toute entité équivalente de B&S, selon la solution applicable, dès que le problème apparaît. Les réparations effectuées sous garantie doivent l'être en un temps raisonnable qui ne doit pas excéder trente (30) jours. Si vous avez des questions concernant vos droits et vos responsabilités au titre de la garantie, contactez B&S au (414) 259-5262.

## Dispositions de la garantie du système de contrôle des émissions de Briggs & Stratton

Suivent les dispositions particulières de la couverture de la garantie du système de contrôle des émissions. Elles viennent en complément de la garantie des moteurs B&S pour les moteurs non réglementés qui se trouve dans le manuel d'utilisation.

### 1. Pièces relatives au contrôle des émissions garanties

La couverture au titre de cette garantie ne s'étend qu'aux pièces énumérées ci-dessous (celles du système de contrôle des émissions) dans la mesure où ces pièces étaient présentes sur le moteur B&S et/ou le circuit d'alimentation prévu par B&S.

- Système de dosage du carburant
  - Système d'enrichissement pour démarrages à froid (starter)
  - Carburateur et pièces internes
  - Pompe à carburant
  - Durite et raccords de carburant, colliers
  - Réservoir de carburant, bouchon et câble d'attache
  - Réservoir à charbon activé
- Système d'admission d'air
  - Filtre à air
  - Collecteur d'admission
  - Conduite de vidange et de mise à l'air
- Système d'allumage
  - Bougie(s)
  - Système d'allumage par volant magnétique
- Système catalytique
  - Convertisseur catalytique
  - Collecteur d'échappement
  - Système d'injection d'air ou soupape d'impulsion
- Pièces diverses utilisées dans les systèmes ci-dessus
  - Soupapes et contacteurs de dépression, de température, de position et de durée
  - Raccords et assemblages

### 2. Durée de la couverture

Pendant une période de deux (2) ans à compter de la date de l'achat initial, B&S garantit à l'acheteur initial et à chaque acheteur suivant que le moteur est conçu, fabriqué et équipé de manière à être en conformité avec toutes les réglementations applicables adoptées par l'Air Resources Board, qu'il est exempt de tout défaut de matière ou de construction susceptible d'entraîner la défaillance d'une pièce garantie et qu'il est matériellement identique en tous points au moteur décrit dans la demande de certification du fabricant. La période de garantie démarre à la date de l'achat initial du moteur.

La garantie sur les pièces liées aux émissions est comme suit:

- Toute pièce garantie dont le remplacement n'est pas prévu dans le cadre de la maintenance obligatoire indiquée dans le manuel d'utilisation fourni est garantie pendant la période susmentionnée. Si cette pièce se révélait être défectueuse au cours de la période de garantie, elle serait réparée ou remplacée par B&S sans aucun frais pour le propriétaire. La pièce ainsi réparée ou remplacée sera garantie pour la période restante.
- Toute pièce garantie dont seule une inspection régulière est prévue dans le manuel d'utilisation fourni est garantie pendant la période susmentionnée. La pièce réparée ou remplacée dans le cadre de la garantie sera garantie pour la période restante.
- Toute pièce garantie dont le remplacement est prévu dans le cadre de la maintenance obligatoire indiquée dans le manuel d'utilisation fourni est garantie pendant la période précédant le premier remplacement prévu de cette pièce. Si cette pièce se révélait être défectueuse avant le premier remplacement prévu, elle serait réparée ou remplacée par B&S sans aucun frais pour le propriétaire. La pièce ainsi réparée ou remplacée sera garantie pour la période restante précédant le premier remplacement prévu de ladite pièce.
- Les pièces ajoutées ou modifiées qui ne sont pas exemptées par l'Air Resources Board ne peuvent être utilisées. L'utilisation par le propriétaire de pièces ajoutées ou modifiées non exemptées sera un motif de rejet de toute réclamation. Le fabricant ne peut en aucun cas être tenu de garantir les défaillances de pièces garanties dues à l'utilisation de pièces non exemptées ajoutées ou modifiées.

### 3. Couverture des conséquences

La présente couverture s'étend à la défaillance de tout composant du moteur due à la défaillance d'une pièce liée aux émissions garantie.

### 4. Réclamations et exclusions de garantie

Les réclamations sous garantie seront présentées selon les dispositions de la police de garantie des moteurs de B&S. La garantie ne couvre pas les défaillances de pièces liées aux émissions qui ne sont pas des pièces B&S d'origine ou les défaillances de pièces qui ont fait l'objet d'abus, de négligence ou d'un mauvais entretien ainsi qu'indiqué dans la police de garantie des moteurs de B&S. B&S n'est pas tenu de couvrir la garantie des défaillances des pièces liées aux émissions dues à l'utilisation de pièces rajoutées ou modifiées.

## Consultez les informations sur la période de durabilité des émissions et l'indice d'air sur l'étiquette d'émissions du petit moteur à usage non routier

Les moteurs qui sont certifiés conformes à la norme d'émissions relatives aux petits moteurs à usage non routier du California Air Resources Board (CARB) doivent afficher l'information concernant la période de durabilité des émissions et l'indice d'air. Cette information est indiquée sur les étiquettes apposées sur les moteurs par Briggs & Stratton. L'étiquette du moteur indique les informations de certification.

La **période de durabilité des émissions** indique le nombre d'heures d'utilisation normale pour lequel le moteur est certifié conforme aux normes d'émissions sous réserve d'un entretien approprié tel qu'indiqué dans le manuel d'utilisation et d'entretien. Les catégories suivantes sont utilisées:

#### Modéré:

le moteur est certifié conforme pour 125 heures d'utilisation normale.

#### Intermédiaire:

le moteur est certifié conforme pour 250 heures d'utilisation normale.

#### Étendu:

le moteur est certifié conforme pour 500 heures d'utilisation normale. Par exemple, une tondeuse à conducteur marchant classique est utilisée 20 à 25 heures par an. Par conséquent, la **période de durabilité des émissions** d'un moteur de catégorie **intermédiaire** équivaudrait à une douzaine d'années.

Les moteurs Briggs & Stratton sont certifiés conformes aux normes environnementales d'émissions de la United States Environmental Protection Agency (U.S. EPA) Phase 2 ou Phase 3. La période de conformité d'émissions mentionnée sur les étiquettes indique le nombre d'heures d'utilisation pour lequel le moteur est en conformité avec les normes fédérales.

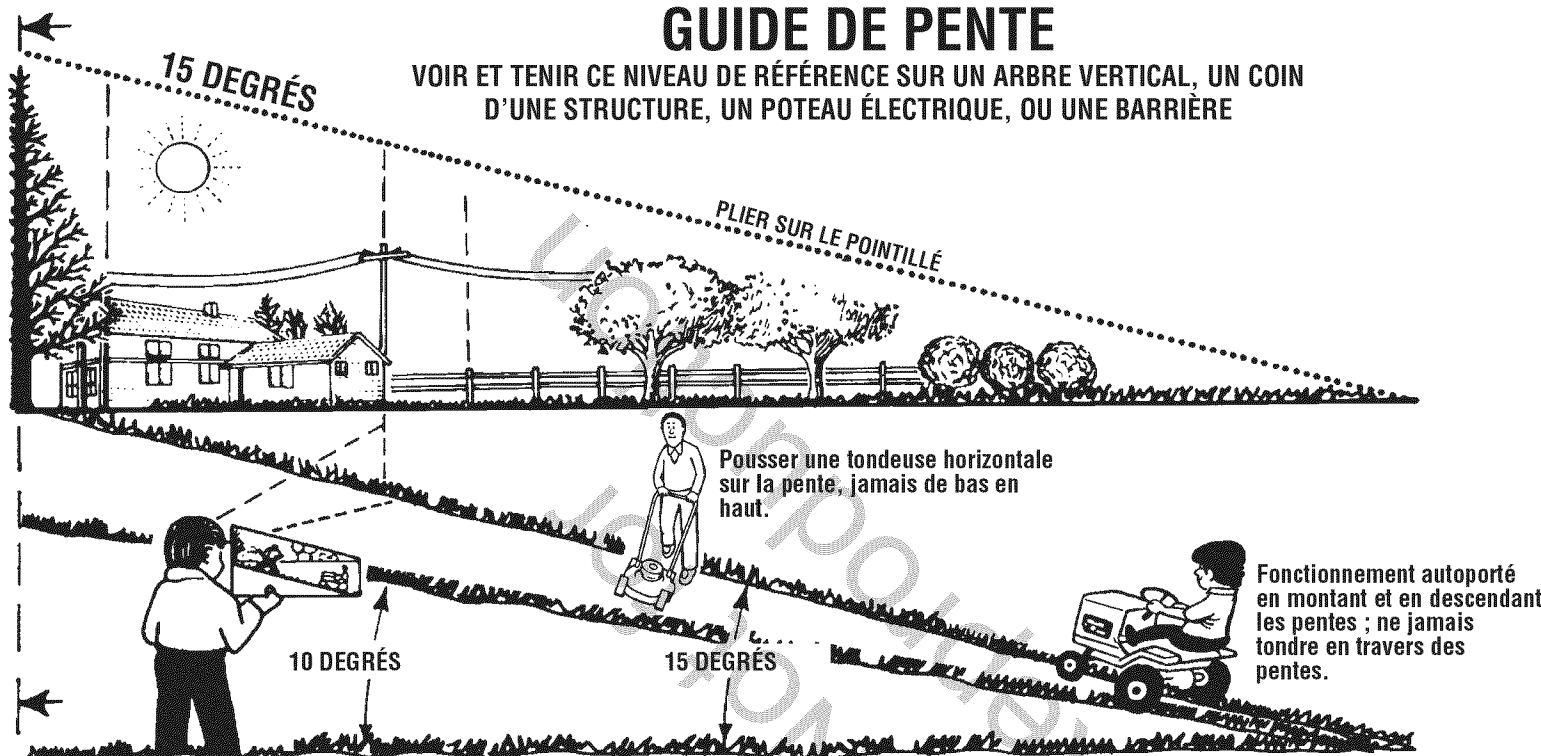
Pour les moteurs de cylindrée inférieure à 225 cm<sup>3</sup>.

Catégorie C = 125 heures, catégorie B = 250 heures et catégorie A = 500 heures.

Pour les moteurs de plus de 225 cm<sup>3</sup>.

Catégorie C = 250 heures, catégorie B = 500 heures et catégorie A = 1000 heures.





Avec une tondeuse autoportée, pour déterminer si une pente peut être tondue : (1) désengager la (les) lame(s), (2) embrayer l'unité en marche arrière, (3) essayer de prendre la pente en marche arrière et de rester bien droit. Si vous pouvez reculer sur la pente, c'est qu'elle est généralement sécuritaire. Toutefois, si vous ne vous sentez pas en sécurité ou si vous n'êtes pas complètement certain, utiliser ce guide et ne pas tondre une pente supérieure à 15 degrés. Si la tondeuse autoportée est utilisée avec un accessoire tracté ou fixé à l'arrière, ne pas conduire l'unité sur une pente ayant une pente supérieure à 10 degrés.

Une pente de 15 degrés est une pente qui augmente verticalement de 76,2 cm (2,5 pi) pour une base horizontale de 304,8 cm (10 pi) approximativement.  
 Une pente de 10 degrés est une pente qui augmente verticalement de 51,8 cm (1,7 pi) pour une base horizontale de 304,8 cm (10 pi) approximativement.



Soyez prudent en tout temps et évitez les virages et les manoeuvres brusques. Suivre les autres directives de ce manuel pour tondre sécuritairement sur les pentes. Fonctionnement autoporté en montant et en descendant les pentes ; ne jamais tondre en travers des pentes. Pousser une tondeuse horizontale sur la pente, jamais de bas en haut. Soyez toujours prudent lorsque vous tondez près des pentes ou des obstacles.



---

## Spécifications

### Tondeuse

Dimension du plateau (cm/po)	55,9/22
Hauteur de coupe (cm/po)	3,2 - 10,2/1,25 - 4
Type de transmission	Vitesse/engrenage variable
Vitesse au sol (kmh/mph)	0 - 6,8/0 - 4,2
Couple de serrage de la lame (Nm/pi-lb)	54,2/40

### Moteur

Puissance brute du moteur * (pi-lb)	8,75
Cylindrée (cc)	190
Capacité du réservoir de carburant (l/pt)	1,14/1,2
Capacité d'huile (l/oz)	0,53 - 0,59/18 - 20
Écartement de la bougie d'allumage (mm/po)	0,5/0,020
Couple de serrage de la bougie d'allumage (Nm/po-lb)	20,3/180

---

**\* Puissance nominales :** Les étiquettes de puissance nominale brute pour les modèles de moteurs à essence individuels répondent au code J1940 (Small Engine Power & Torque Rating Procedure) de la SAE (Society of Automotive Engineers) ; et la performance nominale a été obtenue et corrigée conformément à SAE J1995 (Révision 2002-05). Les valeurs de couple sont dérivées à 3 060 tr/min ; les valeurs de puissance sont dérivées à 3 600 tr/min. Les courbes de puissance brute peuvent être consultées sur le site [www.BRIGGSandSTRATTON.COM](http://www.BRIGGSandSTRATTON.COM). Les valeurs données pour la puissance nette sont mesurées avec l'échappement ou le filtre à air installé tandis que les valeurs données pour la puissance brute sont recueillies sans ces accessoires. La puissance brute du moteur sera plus élevée que la puissance nette du moteur et elle affectée, entre autres, par les conditions atmosphériques de fonctionnement et les variations entre les moteurs. Étant donné la gamme étendue de produits sur lesquels les moteurs sont placés, il se peut que le moteur à essence ne développe pas la puissance nominale brute quand il est utilisé sous une version spécifique d'alimentation électrique. Cette différence est due à différents facteurs, y compris, mais sans toutefois s'y limiter, la diversité des composants du moteur (filtre à air, échappement, chargement, refroidissement, carburateur, pompe à carburant, etc.), la limite des applications, les conditions atmosphériques de fonctionnement (température, humidité, altitude) et les variations entre les moteurs. En raison des limites de fabrication et de capacité, Briggs & Stratton peut substituer un moteur d'une puissance nominale supérieure pour le moteur de cette série.

**SNAPPER**

1-800-317-7833  
[www.snapper.com](http://www.snapper.com)