

Use & Care Guide  
Manual de Uso y Cuidado  
Guide d'Utilisation et d'Entretien  
English / Español / Français

Models/Modelos/Modèles: 795.7105\*

# Kenmore Elite®

## Bottom Freezer Refrigerator

### Congelador Inferior Refrigerador

### Congélateur Inférieur Réfrigérateur

\* = color number, número de color, le numéro de la couleur

P/N MFL63264232  
Sears Brands Management Corporation  
Hoffman Estates, IL 60179 U.S.A.  
[www.kenmore.com](http://www.kenmore.com)  
[www.sears.com](http://www.sears.com)

Sears Canada Inc.  
Toronto, Ontario, Canada M5B 2B8  
[www.sears.ca](http://www.sears.ca)



# TABLE OF CONTENTS

<b>English Version</b>	<b>2</b>	Removing Humidity Controlled Crisper	25
<b>Spanish Version</b>	<b>48</b>	Temperature Controlled Pantry Drawer	25
<b>French Version</b>	<b>94</b>	Modular Door Bin	26
<b>Warranty</b>	<b>3</b>	Dairy Bin	26
<b>Protection Agreements</b>	<b>4</b>	<b>► Freezer Section</b>	
<b>Safety Instructions</b>	<b>5–7</b>	Extra Ice Bin	26
<b>Grounding Requirements</b>	<b>7</b>	Durabase	27
<b>Parts And Features</b>	<b>8</b>	Durabase Divider	27
<b>Refrigerator Installation</b>	<b>9–17</b>	PullOut Drawer	27
Unpacking Your Refrigerator	9	<b>Filter</b>	<b>28-31</b>
Installation	10	<b>Care And Cleaning</b>	<b>32–33</b>
Removing And Replacing Your Refrigerator Handles And Doors	11–16	General Cleaning Tips	32
Leveling And Door Alignment	17	Outside	32
Base Cover	17	Inside Walls	32
<b>Using Your Refrigerator</b>	<b>18–27</b>	Door Liner And Gaskets	32
Setting The Controls	18-19	Plastic Parts	32
In-Door Ice Bin	20	Condenser Coils	32
Adjusting Control Settings	21	Light Bulb Replacement	32–33
Food Storage Guide	22	Power Interruptions	33
Storing Frozen Food	22-23	When You Go On Vacation	33
<b>► Refrigerator Section</b>		When You Move	33
Water Dispenser	23	<b>About The Automatic Icemaker</b>	<b>34-35</b>
Refrigerator Shelves	24	<b>Connecting The Water Line</b>	<b>36–38</b>
Humidity Controlled Crisper	25	<b>Troubleshooting Guide</b>	<b>39–45</b>



## BOTTOM FREEZER REFRIGERATOR WARRANTY

### Kenmore Elite Limited Warranty

When installed, operated and maintained according to all instructions supplied with the product, if any non-consumable part of this appliance other than the sealed refrigerant system fails due to a defect in material and workmanship within one year from the date of purchase, call 1-800-4-MY-HOME® to arrange for free repair.

This coverage applies for only 90 days from the date of purchase if this appliance is ever used for other than private family purposes.

If the sealed refrigerant system is defective within five years from the purchase date, call 1-800-4-MY-HOME® to arrange for free repair. This coverage applies for only one year from the date of purchase if this appliance is ever used for other than private family purposes.

### **This warranty covers only defects in material and workmanship. Sears will NOT pay for:**

1. Expendable items that can wear out from normal use, including but not limited to filters, belts, light bulbs, and bags.
2. A service technician to instruct the user in correct product installation, operation or maintenance.
3. A service technician to clean or maintain this product.
4. Damage to or failure of this product if it is not installed, operated or maintained according to the all instructions supplied with the product.
5. Damage to or failure of this product resulting from accident, abuse, misuse or use for other than its intended purpose.
6. Damage to or failure of this product caused by the use of detergents, cleaners, chemicals or utensils other than those recommended in all instructions supplied with the product.
7. Damage to or failure of parts or systems resulting from unauthorized modifications made to this product.

### **Disclaimer of implied warranties; limitation of remedies**

Customer's sole and exclusive remedy under this limited warranty shall be product repair as provided herein. Implied warranties, including warranties of merchantability or fitness for a particular purpose, are limited to one year or the shortest period allowed by law. Sears shall not be liable for incidental or consequential damages. Some states and provinces do not allow the exclusion or limitation of incidental or consequential damages, or limitation on the duration of implied warranties of merchantability or fitness, so these exclusions or limitations may not apply to you.

This warranty applies only while this appliance is used in the United States or Canada.

This warranty gives you specific legal rights, and you may also have other rights which vary from state to state.

**Sears Brands Management Corporation, Hoffman Estates, IL 60179**

**Sears Canada Inc., Toronto, Ontario, Canada M5B 2B8**

## PROTECTION AGREEMENTS

### Master Protection Agreements

Congratulations on making a smart purchase. Your new Kenmore® product is designed and manufactured for years of dependable operation. But like all products, it may require preventive maintenance or repair from time to time. That's when having a Master Protection Agreement can save you money and aggravation.

The Master Protection Agreement also helps extend the life of your new product. Here's what the Agreement\* includes:

- ✓ **Parts and labor** needed to help keep products operating properly **under normal use**, not just defects. Our coverage goes **well beyond the product warranty**. No deductibles, no functional failure excluded from coverage— **real protection**.
- ✓ **Expert service** by a force of more than **10,000 authorized Sears service technicians**, which means someone you can trust will be working on your product.
- ✓ **Unlimited service calls and nationwide service**, as often as you want us, whenever you want us.
- ✓ **"No-lemon"** guarantee – replacement of your covered product if four or more product failures occur within twelve months.
- ✓ **Product replacement** if your covered product can't be fixed.
- ✓ **Annual Preventive Maintenance Check** at your request – no extra charge.
- ✓ **Fast help by phone** – we call it **Rapid Resolution** – phone support from a Sears representative on all products. Think of us as a "talking owner's manual."

- ✓ **Power surge protection** against electrical damage due to power fluctuations.
- ✓ **\$250 Food Loss Protection** annually for any food spoilage that is the result of mechanical failure of any covered refrigerator or freezer.
- ✓ **Rental reimbursement** if repair of your covered product takes longer than promised.
- ✓ **10% discount** off the regular price of any non-covered repair service and related installed parts.

Once you purchase the Agreement, a simple phone call is all that it takes for you to schedule service. You can call anytime day or night, or schedule a service appointment online.

The Master Protection Agreement is a risk free purchase. If you cancel for any reason during the product warranty period, we will provide a full refund. Or, a prorated refund anytime after the product warranty period expires. Purchase your Master Protection Agreement today!

**Some limitations and exclusions apply.**

**For prices and additional information in the U.S.A. call 1-800-827-6655**

**\* Coverage in Canada varies on some items. For full details call Sears Canada at 1-800-361-6665.**

### Sears Installation Service

For Sears professional installation of home appliances, garage door openers, water heaters, and other major home items, in the U.S.A. or **Canada call 1-800-4-MY-HOME®**.

## PRODUCT RECORD

In the space below, record the date of purchase, model and serial number of your product. You will find the model and serial number printed on an identification label located on the right-hand side of the refrigerator compartment. Have these items of information available whenever you contact Sears concerning your product.

Model No. \_\_\_\_\_

Date of Purchase \_\_\_\_\_

Serial No. \_\_\_\_\_

Save these instructions and attach your sales receipt for future reference.

# IMPORTANT SAFETY INSTRUCTIONS

## BASIC SAFETY PRECAUTIONS

This guide contains many important safety messages. Always **read and obey** all safety messages.



This is the safety alert symbol. It alerts you to safety messages that inform you of hazards that can kill or hurt you or others, or cause damage to the product.

All safety messages will be preceded by the safety alert symbol and the hazard signal word DANGER, WARNING, or CAUTION. These words mean:



**DANGER**

You **will** be killed or seriously injured if you do not follow instructions.



**WARNING**

You **can** be killed or seriously injured if you do not follow instructions.



**CAUTION**

Indicates an imminently hazardous situation which, if not avoided, **may** result in minor or moderate injury, or product damage only.

All safety messages will identify the hazard, tell you how to reduce the chance of injury, and tell you what can happen if the instructions are not followed.

## **WARNING**

**To reduce the risk of fire, electric shock, or personal injury when using your product, basic safety precautions should be followed, including the following.**

**Read all instructions before using this appliance.**

- NEVER unplug your refrigerator by pulling on the power cord. Always grip the plug firmly and pull it straight out from the outlet.
- Repair or replace immediately all electric service cords that have become frayed or otherwise damaged. Do not use a cord that shows cracks or abrasion damage along its length or at either the plug or connector end.
- Do not modify or extend the power cord length. It could cause electric shock or fire.
- When moving your refrigerator away from the wall, be careful not to roll over or damage the power cord.

- DO NOT store or use gasoline or other flammable vapors and liquids in the vicinity of this or any other appliance.
- DO NOT allow children to climb, stand, or hang on the refrigerator doors or shelves in the refrigerator. They could damage the refrigerator and seriously injure themselves.
- Keep fingers out of pinch point areas; clearances between the doors and cabinet are necessarily small. Be careful closing doors when children are in the area.
- Unplug your refrigerator before cleaning or making any repairs.

**NOTE:** We strongly recommend that any servicing be performed by a qualified individual.

## SAVE THESE INSTRUCTIONS

## ⚠ WARNING

- Before replacing a burned-out light bulb, **unplug** the refrigerator or turn off power at the circuit breaker or fuse box in order to avoid contact with a live wire filament. (A burned-out light bulb may break when being replaced.)

**NOTE:** Some models have LED interior lighting and service should be performed by a qualified technician.

**NOTE:** Setting either or both controls to the OFF position does not remove power to the light circuit.

- When you are finished, reconnect the refrigerator to the electrical source and reset the controls. (Thermostat, Refrigerator Control, and or Freezer Control, depending on the model) to the desired setting.
- This refrigerator must be properly installed in accordance with the **Attention Installer Instructions** that were taped to the front of the refrigerator.
- After your refrigerator is in operation, do not touch the cold surfaces in the freezer compartment when hands are damp or wet. Skin may adhere to the extremely cold surfaces.

- In refrigerators with automatic icemakers, avoid contact with the moving parts of the ejector mechanism, or with the heating element that releases the cubes. **DO NOT** place fingers or hands on the automatic icemaking mechanism while the refrigerator is plugged in.
- **DO NOT** refreeze frozen foods which have thawed completely. The United States Department of Agriculture in Home and Garden Bulletin No. 69 says:

...You may safely refreeze frozen foods that have thawed if they still contain ice crystals or if they are still cold—below 4°C.

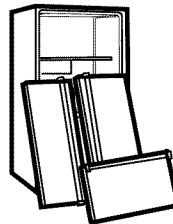
...Thawed ground meats, poultry or fish that have any off-odor or off-color should not be refrozen and should not be eaten. Thawed ice cream should be discarded. If the odor or color of any food is poor or questionable, dispose of it. The food may be dangerous to eat.

Even partial thawing and refreezing reduces the eating quality of foods, particularly fruits, vegetables and prepared foods. The eating quality of red meats is affected less than that of many other foods. Use refrozen foods as soon as possible to save as much of their quality as you can.

## SAVE THESE INSTRUCTIONS

## ⚠ DANGER: RISK OF CHILD ENTRAPMENT

Junked or abandoned refrigerators are dangerous...even if they will sit for just a few days. If you are getting rid of your old refrigerator, please follow the instructions at right to help prevent accidents (Child entrapment and suffocation).



### BEFORE YOU THROW AWAY YOUR OLD REFRIGERATOR OR FREEZER

- Take off the doors.
- Leave the shelves in place so that children may not easily climb inside.

## CFC DISPOSAL

Your old refrigerator may have a cooling system that used CFCs (chlorofluorocarbons). CFCs are believed to harm stratospheric ozone.

If you are throwing away your old refrigerator, make sure the CFC refrigerant is removed for proper disposal by a qualified servicer. If you intentionally release this CFC refrigerant, you can be subject to fines and imprisonment under provisions of environmental legislation.

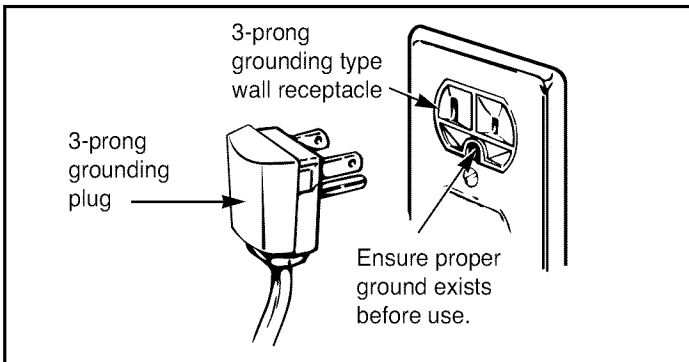
## GROUNDING REQUIREMENTS

**IMPORTANT:** Please read carefully.  
**TO CONNECT ELECTRICITY**

### **⚠ WARNING**

#### **Electrical Shock Hazard**

**FOR PERSONAL SAFETY**, this appliance must be properly grounded. Have the wall outlet and the circuit checked by a qualified electrician to make sure the outlet is properly grounded.



### **RECOMMENDED GROUNDING METHOD**

The refrigerator should always be plugged into its own individual properly grounded electrical outlet rated for 115 Volts, 60 Hz, AC only, and fused at 15 or 20 amperes. This provides the best performance and also prevents overloading house wiring circuits which could cause a fire hazard from overheated wires. It is recommended that a separate circuit serving only this appliance be provided.

Use a receptacle which cannot be turned off with a switch or pull chain. Do not use an extension cord.

Where a standard two-prong wall outlet is encountered, it is your personal responsibility and obligation to have it replaced with a properly grounded three-prong wall outlet.

**Do not, under any circumstances, cut or remove the third (ground) prong from the power cord.**

**Do not use an adapter plug.**

**NOTE:** Before performing any type of installation, cleaning, or removing a light bulb, disconnect the refrigerator from the electrical source.

**NOTE:** Some models have LED interior lighting and service should be performed by a qualified technician.

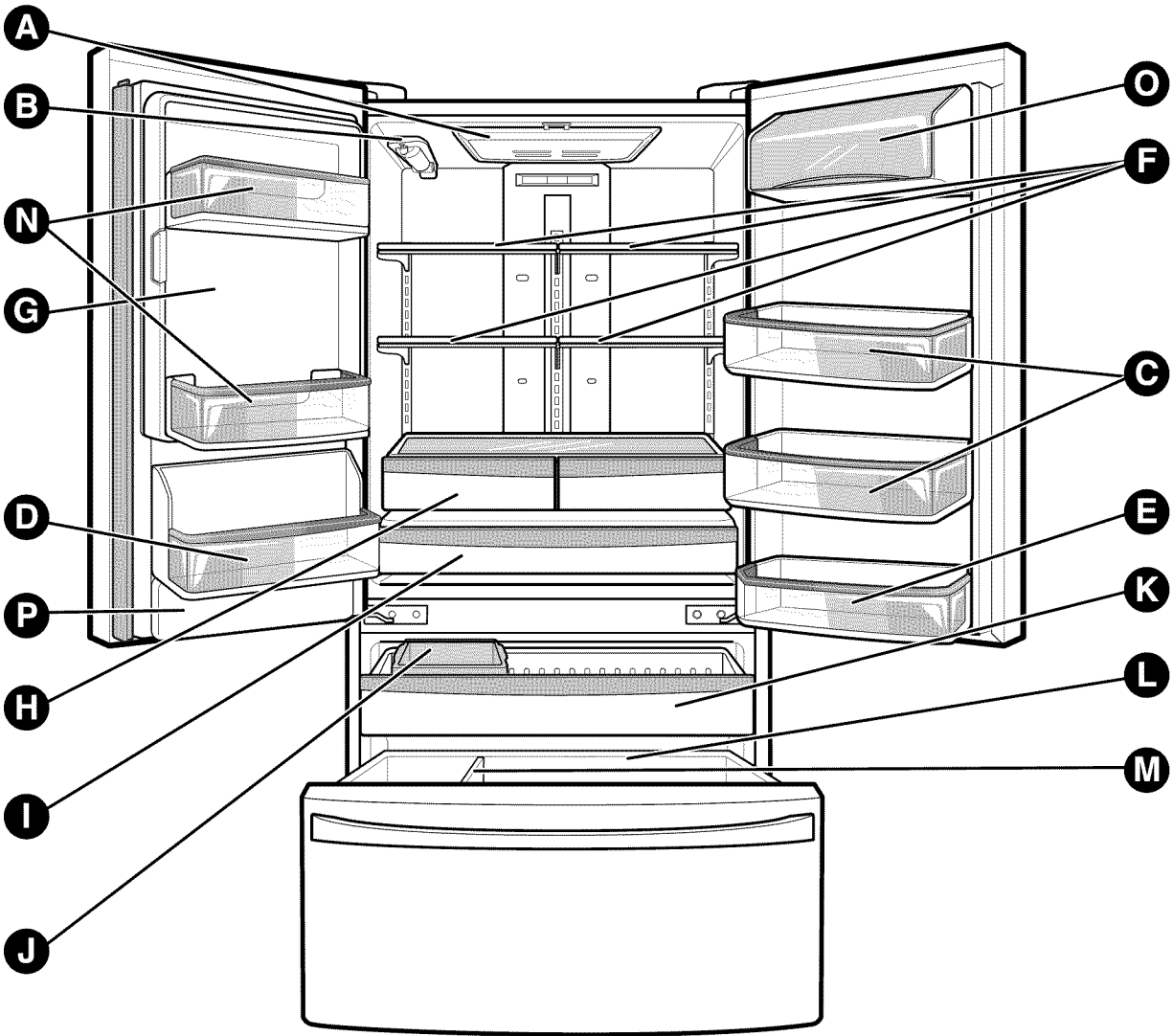
When you are finished, reconnect the refrigerator to the electrical source and reset the control (Thermostat, Refrigerator Control, or Freezer Control, depending on the model) to the desired setting.

### **USE OF EXTENSION CORDS**

**Because of potential safety hazards under certain conditions, we strongly recommend against the use of an extension cord.** However, if you still elect to use an extension cord, it is absolutely necessary that it be a UL-listed (USA), 3-wire grounding type appliance extension cord having a grounding type plug and outlet, and that the electrical rating of the cord be 15 amperes (minimum) and 120 volts.

Use of an extension cord will increase the clearance needed for the back of the refrigerator.

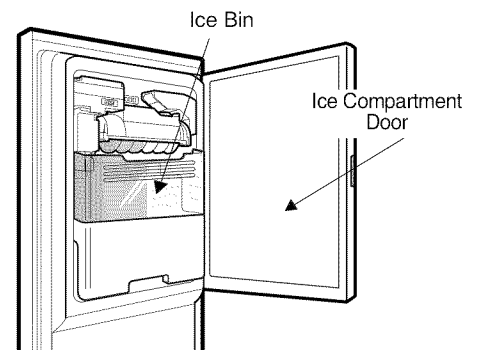
## PARTS AND FEATURES



Use this page to become more familiar with the parts and features. Page references are included for your convenience.

**NOTE:** This guide covers several different models. The refrigerator you have purchased may have some or all of the items listed below. The locations of the features shown below may not match your model.

- |  |   |
|--|---|
| <ul style="list-style-type: none"> <li><b>A</b> Refrigerator Light (p. 32)</li> <li><b>B</b> Filter (Inside) (p. 28)</li> <li><b>C</b> Modular Door Bins (p. 26)</li> <li><b>D</b> Fixed Door Bin</li> <li><b>E</b> Fixed Door Bin</li> <li><b>F</b> Refrigerator Shelves (p. 24)</li> <li><b>G</b> Ice Room (p. 20)<br/>(Ice Maker and Ice Bin)</li> <li><b>H</b> Humidity Controlled Crisper (p. 25)</li> <li><b>I</b> Temperature Controlled<br/>Pantry Drawer (p. 25)</li> </ul> | <ul style="list-style-type: none"> <li><b>J</b> Extra Ice Bin (p. 26)</li> <li><b>K</b> Pullout Drawer (p. 27)</li> <li><b>L</b> Durabase (p. 27)</li> <li><b>M</b> Divider (p. 27)</li> <li><b>N</b> Door Bins</li> <li><b>O</b> Dairy Bin (p. 26)</li> <li><b>P</b> Water Tank Cover</li> </ul> |
|--|---|





# REFRIGERATOR INSTALLATION

## WARNING

### Excessive Weight Hazard

Use two or more people to move and install refrigerator. Failure to do so can result in back or other injury.

## UNPACKING YOUR REFRIGERATOR

Remove tape and any temporary labels from your refrigerator before using. Do not remove any warning-type labels, the model and serial number label, or the Tech Sheet that is located under the front of the refrigerator, behind the base cover.

To remove any remaining tape or glue, rub the area briskly with your thumb. Tape or glue residue can also be easily removed by rubbing a small amount of liquid dish soap over the adhesive with your fingers. Wipe with warm water and dry.

Do not use sharp instruments, rubbing alcohol, flammable fluids, or abrasive cleaners to remove tape or glue. These products can damage the surface of your refrigerator. For more information, see the **Important Safety Instructions** section.

Refrigerator shelves are installed in the shipping position.

Please reinstall shelves according to your individual storage needs.

## WARNING

### When Moving Your Refrigerator:

Your refrigerator is heavy. When moving the refrigerator for cleaning or service, be sure to protect the floor. Always pull the refrigerator straight out when moving it. Do not wiggle or walk the refrigerator when trying to move it, as floor damage could occur.

## WARNING

### Explosion Hazard

Keep flammable materials and vapors, such as gasoline, away from refrigerator.



Failure to do so can result in death, explosion, or fire.

- To reduce the risk of electric shock, do not install the refrigerator in a wet or damp area.
- Select a place where a water supply can be easily connected for the automatic icemaker.

**▲ CAUTION:** Avoid placing the unit near heat sources, direct sunlight or moisture.

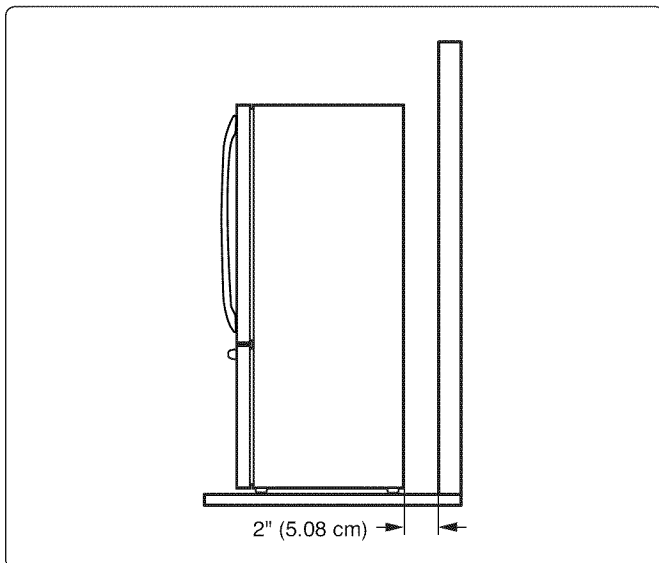
# REFRIGERATOR INSTALLATION

## INSTALLATION

- To minimize noise and vibration, the refrigerator **MUST** be installed on a solidly constructed floor.
  - Carpeting and soft tile surfaces are not recommended.
  - Never install the refrigerator on a platform or weakly supported structure.
1. To avoid vibration, the unit must be leveled. If required, adjust the leveling legs to compensate for unevenness of the floor. The front should be slightly higher than the rear to aid in door closing. Leveling legs can be turned easily by tipping the cabinet slightly. Turn the leveling legs clockwise (  ) to raise the unit, counterclockwise (  ) to lower it. (See Leveling and Alignment: on page 17.)
  2. Install this appliance in an area where the temperature is between 55°F (13°C) and 110°F (43°C.) If the temperature around the appliance is too low or high, cooling ability may be adversely affected.
  3. Too small a distance from adjacent items may result in lowered freezing capability and increased electricity consumption charges. Allow at least 24 inches (61 cm) in front of the refrigerator to open the doors.

## PRIOR TO USE

1. Clean your refrigerator thoroughly and wipe off all dust accumulated during shipping.
2. Install accessories such as ice cube bin, drawers, shelves, etc., in their proper places. They are packed together to prevent possible damage during shipment.
3. Let your refrigerator run for at least 2 or 3 hours before putting food in it. Check the flow of cold air in the freezer compartment to ensure proper cooling. Your refrigerator is now ready for use.



# REFRIGERATOR INSTALLATION

**NOTE:** Removing the doors is always recommended when it is necessary to move the refrigerator through a narrow opening. If it is necessary to remove the handles, follow the directions below.

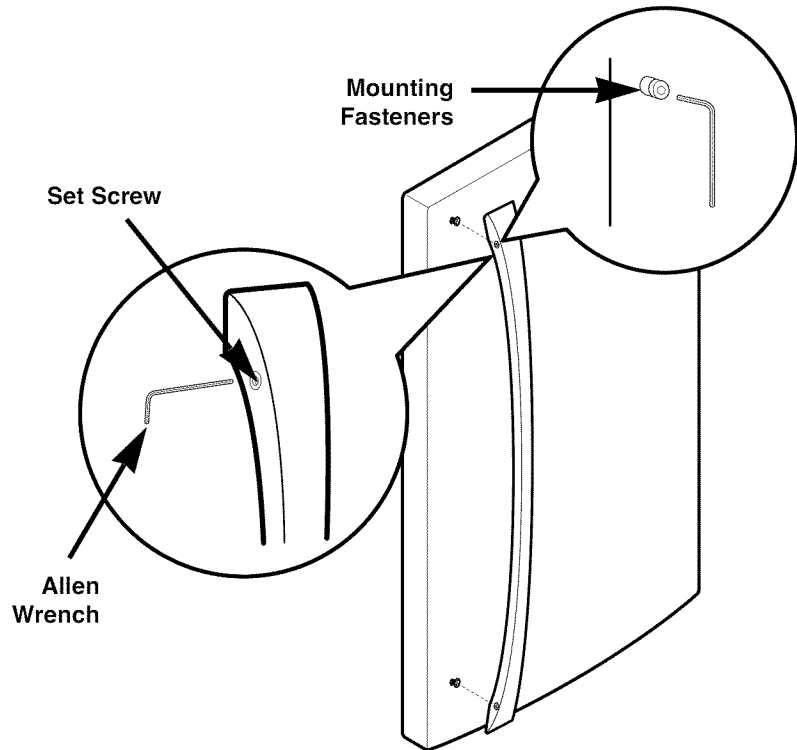
## HOW TO REMOVE DOOR HANDLES

**NOTE:** Handle appearance may vary from illustrations on this page.

### 1. Removing Refrigerator Handle

- Loosen the set screws with a 3/32" (2.5mm) Allen wrench and remove the handle.

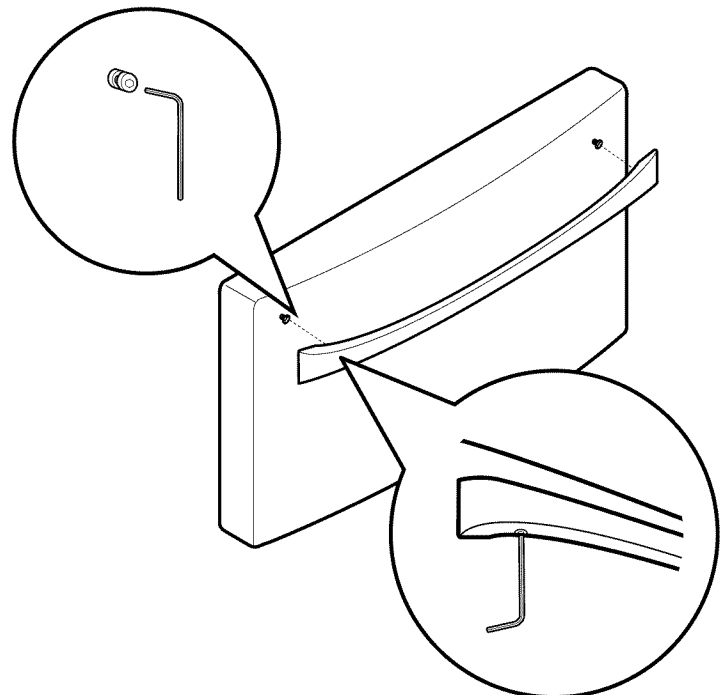
**NOTE:** If the handle mounting fasteners need to be tightened or removed, use a 1/4" (6.4mm) Allen wrench.



### 2. Removing Freezer Drawer Handle

- Loosen the set screws located on the lower side of the handle with a 1/8" (3.1mm) Allen wrench and remove the handle.

**NOTE:** If the handle mounting fasteners need to be tightened or removed, use a 1/4" (6.4mm) Allen wrench.



# REFRIGERATOR INSTALLATION

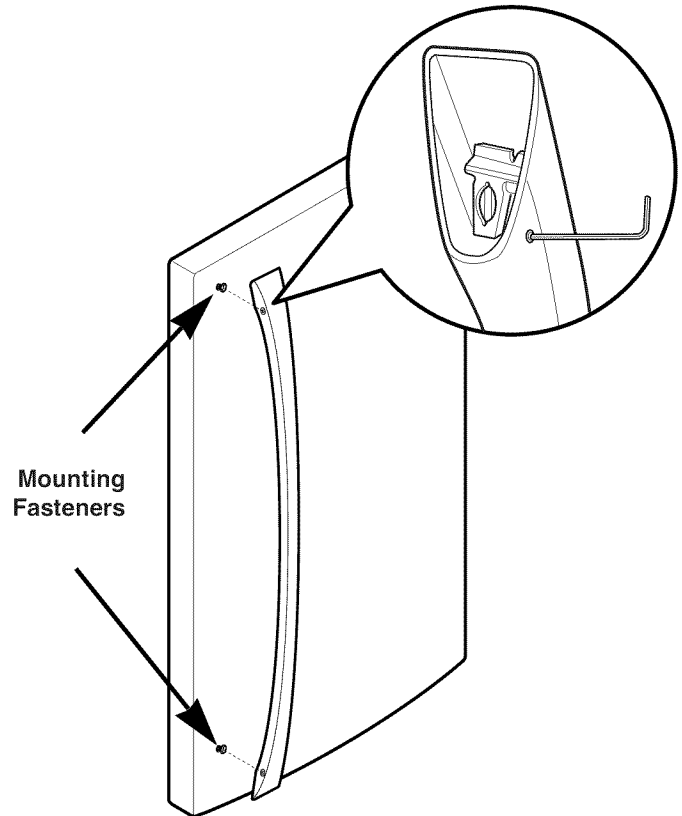
## HOW TO REPLACE DOOR HANDLES

**NOTE:** Handle appearance may vary from illustrations on this page.

### 1. Replacing Refrigerator Door Handle

- Place the handle on the door, fitting it over the mounting fasteners and tighten the set screws with a 3/32" (2.5mm) Allen wrench.

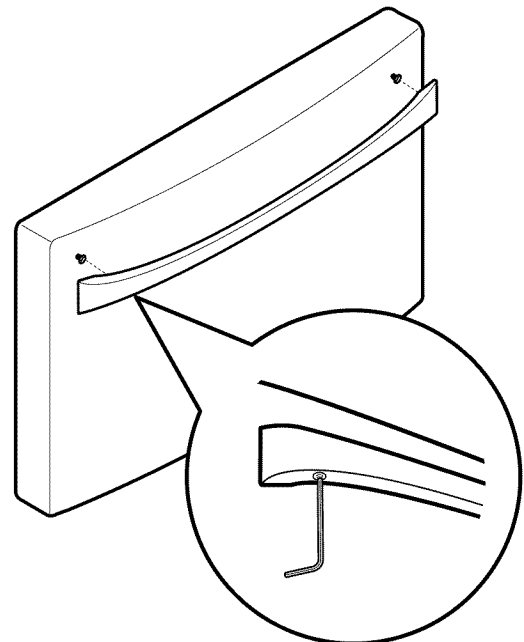
**NOTE:** If the handle mounting fasteners need to be tightened or removed use a 1/4" (6.4mm) Allen wrench.



### 2. Replacing Freezer Drawer Handle

- Place the handle on the door, fitting it over the mounting fasteners and tighten the set screws on the bottom of the handle with a 1/8" (3.1 mm) Allen wrench.

**NOTE:** If the handle mounting fasteners need to be tightened or removed use a 1/4" (6.4mm) Allen wrench.



## **⚠ WARNING**

When the customer takes apart the handle or assemble it from a refrigerator, please be cautious of following things.

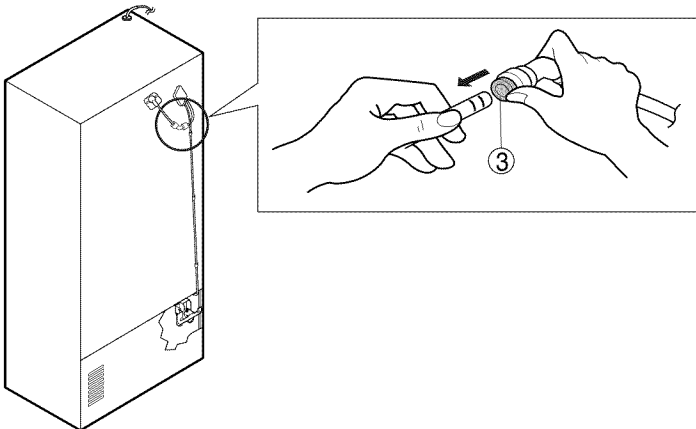
- Hold the handle with your own hand to make sure not to drop the handle to the floor or instep while taking apart the handle from a refrigerator.
- Do not swing the handle towards people or animals after taking apart the handle.
- Insert the bracket hole of the handle into the stopper bolt of the door exactly, and then assemble the set screws to fix the handle.
- Check if there's any gap between the door and handle after fixing the handle.

# REFRIGERATOR INSTALLATION

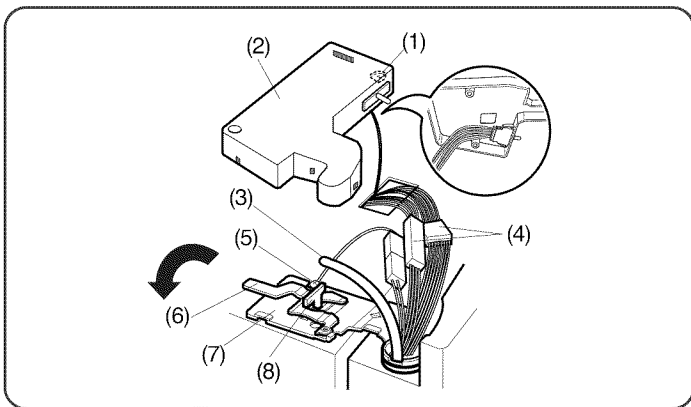
## REMOVING AND REPLACING REFRIGERATOR DOORS

### To remove the left refrigerator door:

On the back of the refrigerator, press back on the release ring of the fitting (see 3 in figure below) and pull out the water tube in the direction of the arrow.



**▲ CAUTION:** Before you begin, remove food and bins from the doors.



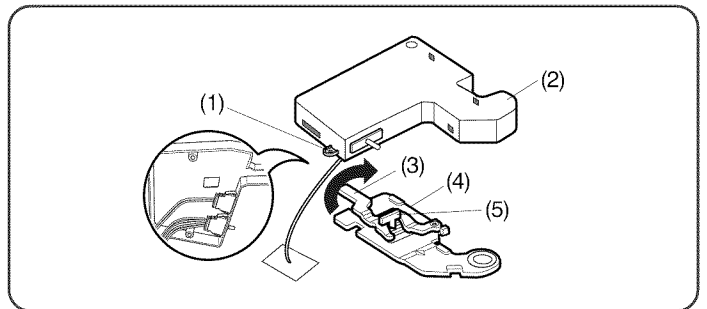
1. Open the door. Remove the top hinge cover screw (1).  
Remove the top hinge cover (2).
2. Use a flat-head screwdriver to pry back the hooks (not shown) on the front underside of the cover (2). Lift up the cover.
3. Remove the cover. Pull out the tube (3).
4. Disconnect all the wire harnesses (4).
5. Remove the grounding screw (5).

6. Rotate hinge lever (6) counterclockwise. Lift the top hinge (7) free of the hinge lever latch (8).

**▲ CAUTION:** When lifting the hinge free of the latch, be careful that the door does not fall forward.

7. Lift the door from the middle hinge pin and remove the door.
8. Place the door, inside facing up, on a nonscratching surface.

### To remove the right refrigerator door:



1. Open the door. Remove the top hinge cover screw (1). Lift up the cover (2).
2. Remove the cover.
3. Rotate the hinge lever (3) clockwise. Lift the top hinge (4) free of the hinge lever latch (5).

**▲ CAUTION:** When lifting the hinge free of the latch, be careful that the door does not fall forward.

## ▲ WARNING

### Electrical Shock Hazard

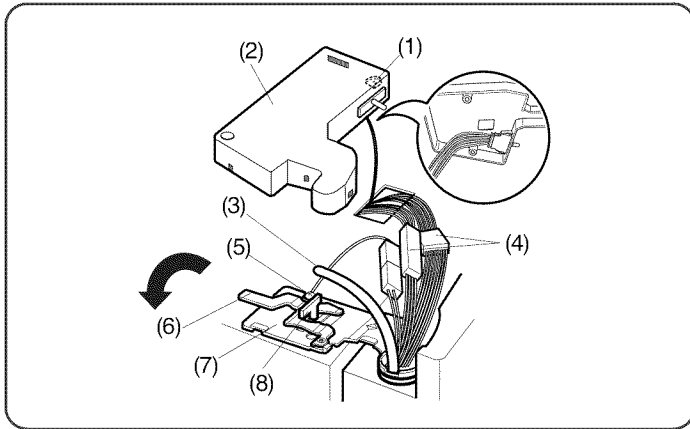
- Disconnect electrical supply to the refrigerator before installing. Failure to do so could result in death or serious injury.
- Do not put hands or feet or other objects into the air vents, base cover, or bottom of the refrigerator. You may be injured or receive an electrical shock.
- Be careful when you work with the hinge, base cover, and stopper. You may be injured.

# REFRIGERATOR INSTALLATION

## Reinstalling the Refrigerator Door

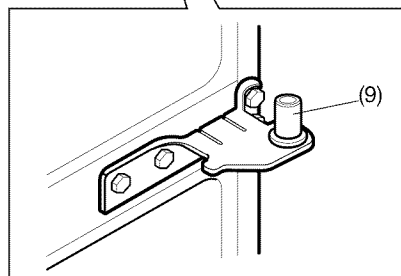
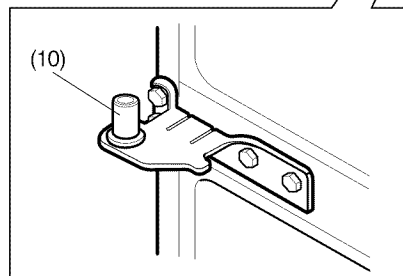
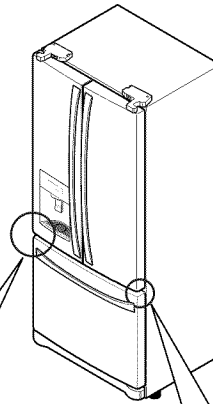
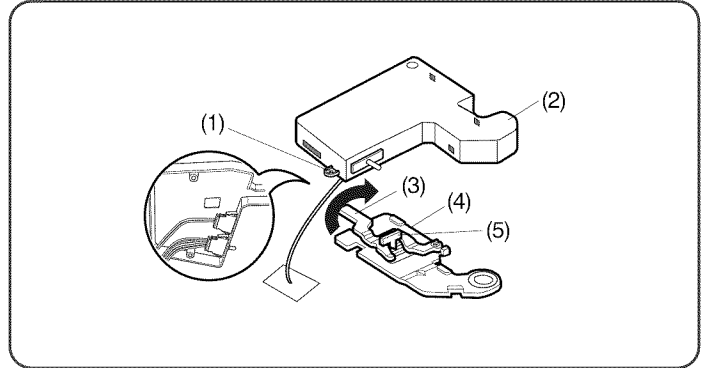
### ► Left Door

1. Lower the door onto middle hinge pin (10).
2. Fit top hinge (7) over hinge lever latch (8) and into place. Rotate lever (6) clockwise to secure hinge.
3. Install the grounding screw (5) and connect the two wire harnesses (4).
4. Push the water supply tube into the hole on the top case and pull it out on the backplate.
5. Insert the water supply tube (3) into the connector tube until you see only one scale mark. (Fully insert the tube over 5/8" (15 mm)).
6. Hook tab on door switch side of cover (2) under edge of wire opening in cabinet top. Position cover into place. Insert and tighten cover screw (1).

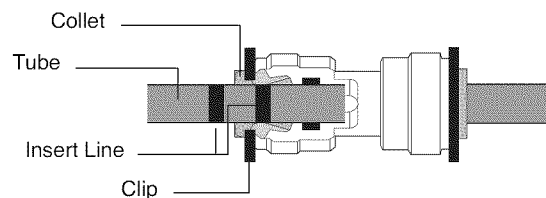


### ► Right Door

1. Lower the door onto middle hinge pin (9).
2. Fit top hinge (4) over hinge lever latch (5) and into place. Rotate lever (3) counterclockwise to secure hinge.
3. Hook tab on switch side of corner under edge of wire opening in cabinet top. Position cover (2) into place. Insert and tighten cover screw (1).



## ⚠ CAUTION



After inserting, pull the tube to make sure that it is secure and reinsert the clip.

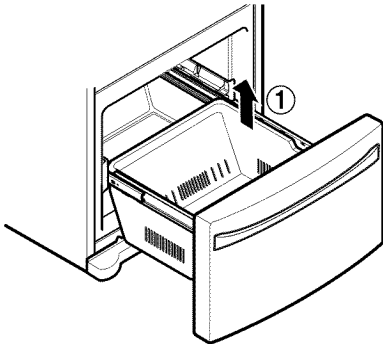
## REFRIGERATOR INSTALLATION

### HOW TO REMOVE AND INSTALL THE FREEZER DRAWER

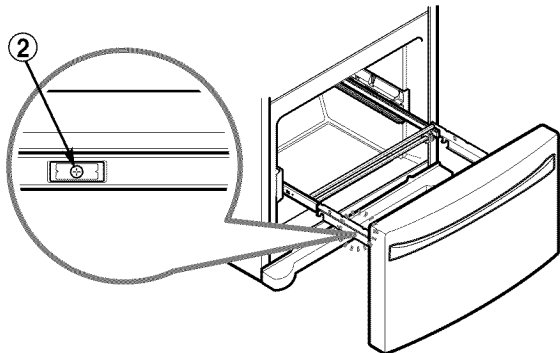
**IMPORTANT:** To avoid possible injury or product or property damage, you will need two people to perform the following instructions.

#### 1. Removing Freezer Drawer

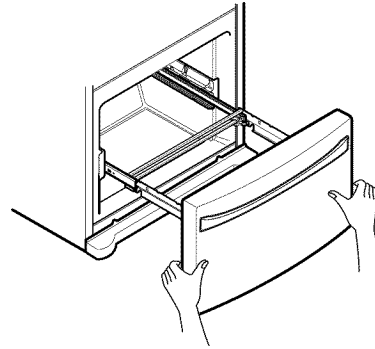
- Pull the drawer open to full extension. Remove the lower basket ① by lifting basket from rail system.



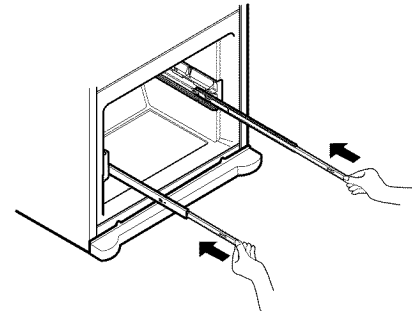
- Remove the screws ② of the rail on both sides.



- With both hands, hold both sides of the door and pull it up to separate it from the rails.



- ▲ **CAUTION:** When you remove the drawer, do not hold the handle. The handle may come off and it could cause personal injury.



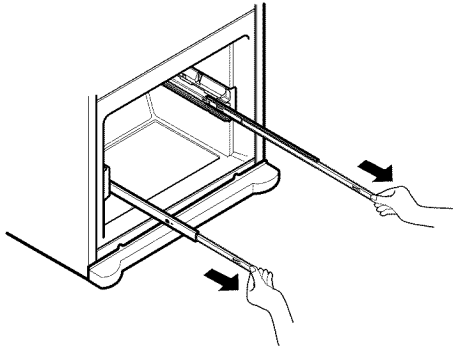
- With both hands, hold each rail and push it in to allow both rails to slide in simultaneously.

## REFRIGERATOR INSTALLATION

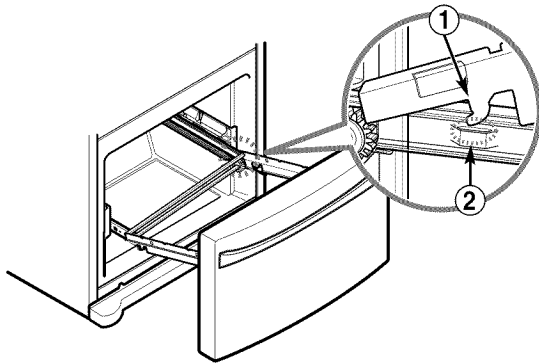
### HOW TO REMOVE AND INSTALL THE FREEZER DRAWER (cont.)

#### 2. Installing Freezer Drawer

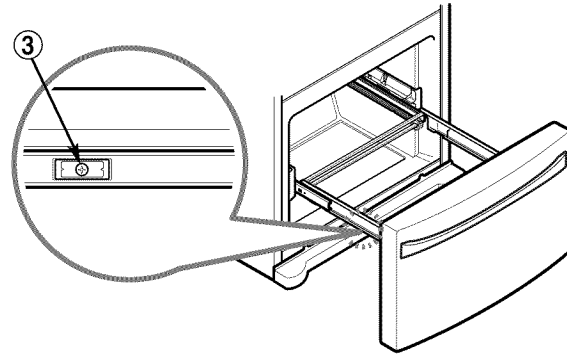
- With both hands, pull out each rail simultaneously until both rails are fully extended.



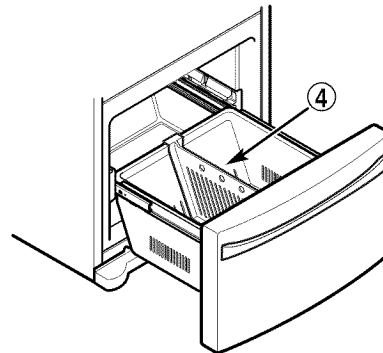
- Hook door supports ① into rail tabs ②.



- Lower door into final position and tighten the screws ③.



- With the drawer pulled out to full extension, insert the lower basket ④ in the rail assembly.



- ▲ **WARNING:** If the Durabase divider is removed, there is enough open space for children or pets to crawl inside.
- ▲ **WARNING:** To prevent accidental child and pet entrapment or suffocation risk, DO NOT allow them to touch or go near the freezer drawer.
- ▲ **WARNING:** DO NOT step or sit down on freezer drawer.



# REFRIGERATOR INSTALLATION

## LEVELING AND DOOR ALIGNMENT

### Leveling

After installing, secure the stability of the product with the leveling legs.

Your refrigerator has two front leveling legs—one on the right and one on the left. Adjust legs to alter tilt from front-to-back or side-to-side. If your refrigerator seems unsteady or you want the doors to close easier, adjust the refrigerator's tilt using the instructions below:

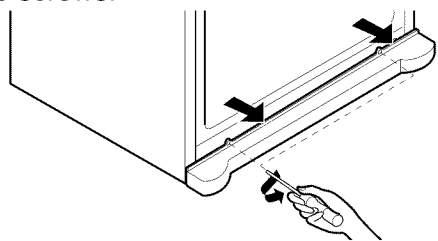
1. Plug the refrigerator's power cord into a 3-prong grounded outlet. Move the refrigerator into its final position. Remove the base cover.

#### To remove the base cover

- 1) Open the Freezer Drawer. (Drawer not shown for clarity.)
- 2) Once the drawer is open and there is sufficient clearance, remove screws on the top of the cover.

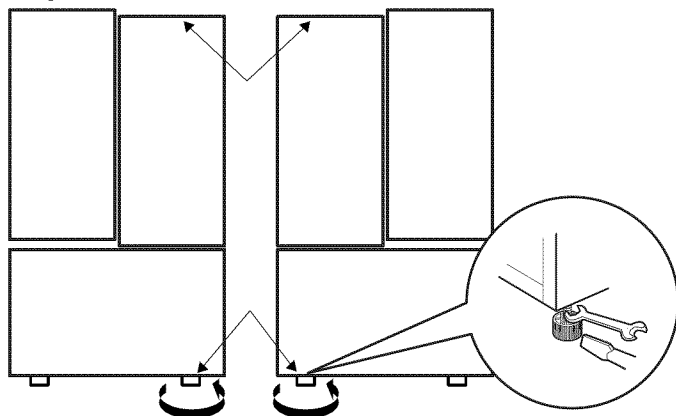
#### To replace base cover:

- Place cover into position and insert and tighten the screws.



2. Turn the leveling leg clockwise to raise that side of the refrigerator or counterclockwise to lower it. It may take several turns of the leveling leg to adjust the tilt of the refrigerator.

**NOTE:** Having someone push backward against the top of the refrigerator takes some weight off the leveling legs. This makes it easier to adjust the legs.



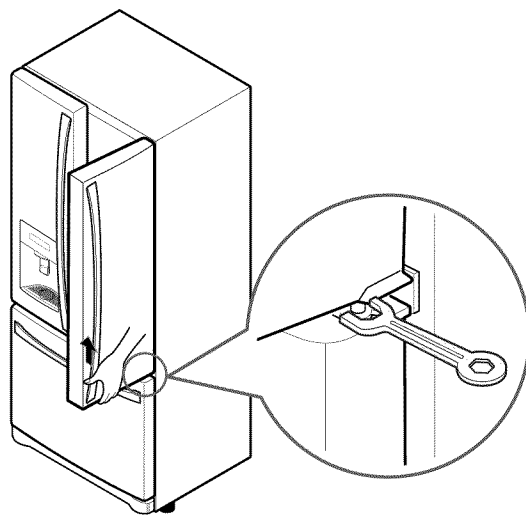
3. Open both doors again and check to make sure that they close easily. If not, tilt the refrigerator slightly more to the rear by turning both leveling legs clockwise. It may take several more turns, and you should turn both leveling legs the same amount.
4. Re-adjust if necessary.
5. Replace the base cover.

**NOTE:** Your new refrigerator is uniquely designed with two fresh food doors. Either door can be opened or closed independently of one another. You may have to exert slight pressure on doors to get them to close completely.

### Door Alignment

If the space between your doors is uneven, follow the instructions below to align the doors:

Use the wrench (Included with the Use & Care Guide) to adjust the nut in the door hinge to adjust the height. (counterclockwise to raise or clockwise to lower the height.)



Level the refrigerator by using an 11/16 inch (18mm) wrench or a flat blade screwdriver. Turn the leveling legs (counterclockwise) to raise or (clockwise) to lower the height of the front of the refrigerator.

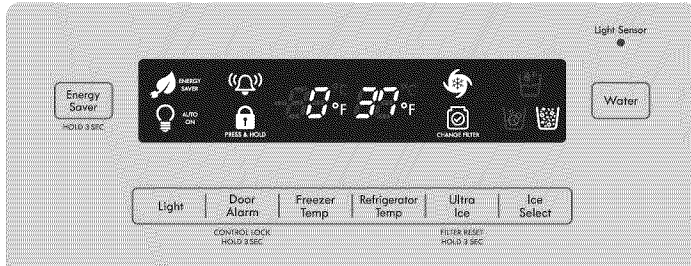
**NOTE:** The front of the refrigerator should be slightly higher than the back.

# USING YOUR REFRIGERATOR

## SETTING THE CONTROLS

### Temperature

- The refrigerator control is preset at 37°F (3°C) and the freezer control is preset at 0°F (-18°C). These are the recommended temperature settings for normal use and conditions. Wait 24 hours for the refrigerator and freezer to reach these temperatures.

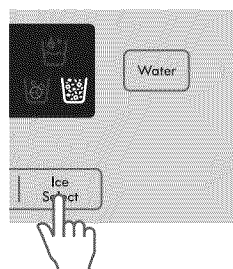
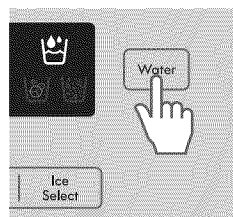


- **The Refrigerator Temp Control range is from 33°F to 46°F (1°C to 8°C).** The lower the number setting, the colder the refrigerator compartment will become.
- **The Freezer Temp Control range is from -6°F to 8°F (-21°C to -13°C).** The lower the number setting, the colder the freezer compartment will become.

**NOTE:** When changing control settings, wait 24 hours before making additional adjustments. After 24 hours, adjust the compartments temperatures as desired.


### Dispenser

- When you press the Water button, the Water icon will light up.
- When you press the Ice Select button, either the cube or crushed ice icon will light up.
- Some dripping may occur after dispensing. It is recommended to hold your cup beneath the dispenser for a few seconds after dispensing to catch all of the drops.




- ▲ **CAUTION:** The control display is operated by touch. Excessive moisture on the display may cause a malfunction. Please keep display clean and dry.
- ▲ **WARNING:** The dispenser will not work if any door is left open.

### Ultra Ice

- When you touch the Ultra Ice button, the graphic [  ] will light up in the display and will remain on for 24 hours. It will automatically shut off after 24 hours have passed. You can stop this function manually by touching the button one more time.
- This function increases both icemaking and freezing capabilities.

### Filter Reset

- When the water filter indicator (  ) turns on, you have to change the water filter. After changing the filter, press and hold the Ultra Ice (Filter Reset) button for 3 seconds to turn the indicator light off. You need to change the water filter approximately every 6 months.

### Light / Light Sensor


- If the light is set to "Auto" mode, dispenser light will automatically turn on and off according to the brightness of the room as detected by the light sensor.

### Energy Saver

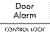


- Press and hold the Energy Saver button for at least 3 seconds to activate or deactivate the function.
- This function deactivates heaters used to reduce excess exterior moisture and is recommended for increased energy savings.
- The energy saving function is also recommended for periods of time when the doors will not be opened, such as vacations.

# USING YOUR REFRIGERATOR


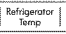
## Door Alarm

- When power is connected to the refrigerator, the door alarm is initially set to “ON” (ON) and the door alarm display will show “ON” (ON).  
When you press the  button, the display will change to “OFF” (OFF) and the door alarm function will be deactivated.
- When either the refrigerator or the freezer door is left open for more than 60 seconds, the alarm tone will sound to let you know the door is open.
- When you close the door, the door alarm will stop.

## Lock

- When power is initially connected to the refrigerator, the Lock function is off.
- If you want to activate the Lock function to lock other buttons, press and hold the  button for 3 seconds or more. The  sign will be displayed and the Lock function is now enabled.
- When the Lock function is activated no other buttons will work. The dispenser pad is also deactivated.
- To disable the Lock function, press and hold the  button for 3 seconds or more.

## Temperature Mode (°F <-> °C)

- If you want to convert °F to °C or vice versa, press and hold the  button and  button at the same time for 5 seconds or more.

## ⚠ CAUTION

### Demo Mode (Retail Stores)

The Demo Mode disables all cooling in the refrigerator and freezer sections to conserve energy while on display in a retail store.

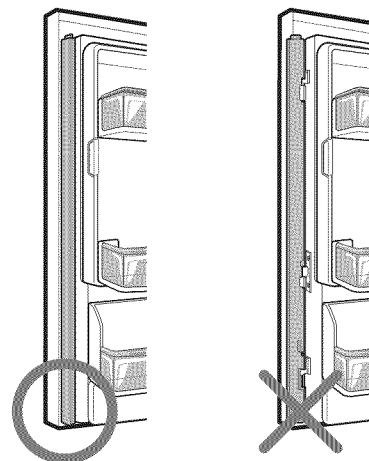
#### 1. To activate:

With the refrigerator door opened, press and hold the Refrigerator Temp and Ultra Ice buttons at the same time for 5 seconds. The control panel will beep to confirm that the Demo Mode is activated.

#### 2. To deactivate:

With the refrigerator door opened, press and hold the Refrigerator Temp and Ultra Ice buttons at the same time for 5 seconds. The control panel will beep to confirm that the Demo Mode is deactivated.

## Caution When Closing the Door



## ⚠ CAUTION

To reduce the risk of door scratches and breaking the door mullion, please make sure that the refrigerator door mullion is always folded in.

If moisture gathers on the refrigerator door mullion at any point, turn off the Energy Saver mode until the issue is resolved.

## USING YOUR REFRIGERATOR

### IN-DOOR ICE BIN

#### ▲ CAUTION

Keep hands and tools out of the ice compartment door and dispenser chute. Damage or personal injury may result.

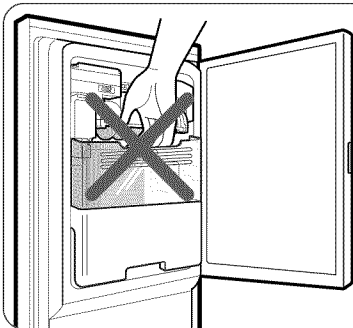
The icemaker will stop producing ice when the ice bin is full. If you need more ice, empty the ice bin into the extra ice bin in the freezer compartment.

During use, the ice can become uneven causing the icemaker to misread the amount of ice cubes and stop producing ice. Shaking the ice bin to level the ice within it can reduce this problem.

**NOTE:** Storing cans or other items in the ice bin will damage the icemaker.

Keep the ice compartment door closed tightly. If the ice compartment door is not closed tightly, the cold air in the ice bin will freeze food in the refrigerator compartment. This could also cause the icemaker to not produce ice.

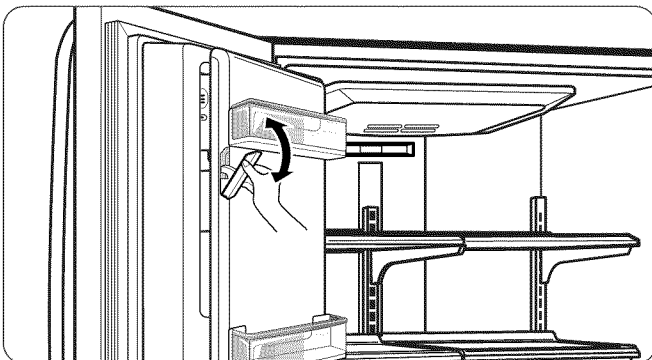
**NOTE:** If the On/Off switch on the icemaker is set to Off (O) for an extended time, the ice compartment will gradually warm up to the temperature of the refrigerator compartment. To prevent ice cubes from melting and leaking from the dispenser, ALWAYS empty the ice bin when the icemaker is set to Off (O) for more than a few hours.



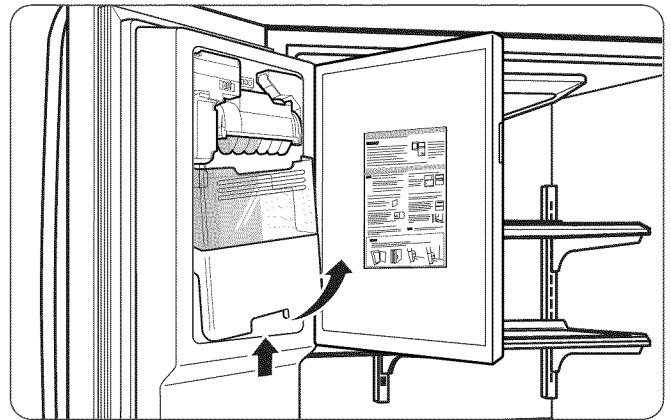
#### ▲ CAUTION

When handling the ice bin, keep hands away from the blade area to avoid personal injury.

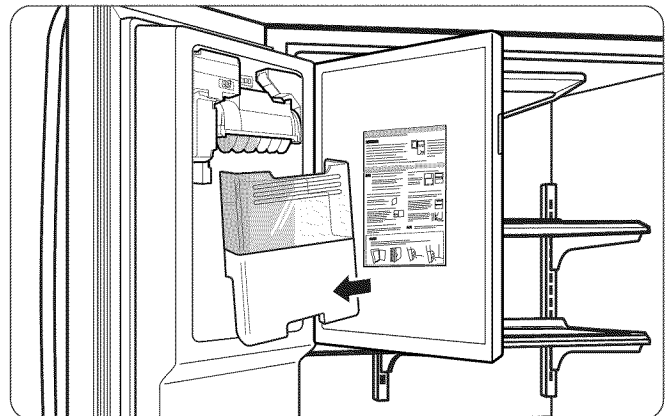
1. Pull or push the door handle to open or close the Ice Compartment.



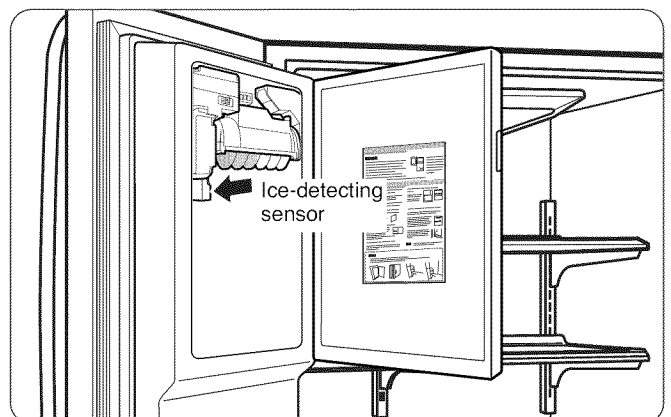
2. To remove the in-door ice bin, grip the front handle, slightly lift the lower part, and slowly pull out the bin as shown.



3. To reinstall the in-door ice bin, slightly slant the bin during replacement to avoid contact with the icemaker.



4. Avoid touching the Ice-detecting sensor when replacing the ice bin. See the label on the ice compartment door for details.



# USING YOUR REFRIGERATOR

## ADJUSTING CONTROL SETTINGS

Give the refrigerator time to cool down completely before making final adjustments. It is best to wait 24 hours before doing this. The initial settings mentioned in SETTING THE CONTROLS section should be correct for normal household refrigerator use. The controls are set correctly when milk or juice is as cold as you like and when ice cream is firm.

The refrigerator control functions as the thermostat for the entire appliance (refrigerator and freezer sections). The colder the setting, the longer the compressor will run to keep the temperature colder. The freezer control adjusts the cold air flow from the freezer to the refrigerator. Setting the freezer control to a lower temperature keeps more cold air in the freezer compartment to make it colder.

If you need to adjust temperatures in the refrigerator or freezer, start by adjusting the refrigerator and allow 24 hours for the temperatures to stabilize. If it is still too warm or too cold, then adjust the freezer control.

**Always remember to wait at least 24 hours between adjustments.**

CONDITION/ REASON:	RECOMMENDED ADJUSTMENT:
■ REFRIGERATOR section too warm – Door opened often – Large amount of food added – Room temperature very warm	Set REFRIGERATOR control one degree lower C or two degrees lower F, wait 24 hours, then re-check
■ FREEZER section too warm/ice not made fast enough – Door opened often – Large amount of food added – Very cold (below 55 °F) room temperature (Compressor does not cycle often enough). – Heavy ice usage – Air vents blocked by items	Set FREEZER control one degree lower C or two degrees lower F, wait 24 hours, then re-check  Move items out of airstream
■ REFRIGERATOR section too cold – Controls not set correctly for your conditions	Set REFRIGERATOR control one degree higher C or two degrees higher F, wait 24 hours, then re-check
■ FREEZER section too cold – Controls not set correctly for your conditions	Set FREEZER control one degree higher C or two degrees higher F, wait 24 hours, then re-check

# USING YOUR REFRIGERATOR

## FOOD STORAGE GUIDE

Wrap or store food in the refrigerator in airtight and moisture-proof material unless otherwise noted. This prevents food odor and taste transfer throughout the refrigerator. For dated products, check date code to ensure freshness.

Items	How to
<b>Butter or margarine</b>	▶ Keep opened butter in a covered dish or closed compartment. When storing an extra supply, wrap in freezer packaging and freeze.
<b>Cheese</b>	▶ Store in the original wrapping until you are ready to use it. Once opened, rewrap tightly in plastic wrap or aluminum foil.
<b>Milk</b>	▶ Wipe milk cartons. For best storage, place milk on interior shelf, not on door shelf.
<b>Eggs</b>	▶ Store in original carton on interior shelf, not on door shelf.
<b>Fruit</b>	▶ Wash, let dry, and store in refrigerator in plastic bags or in the crisper. Do not wash or hull berries until you are ready to use them. Sort and keep berries in their original container in a crisper, or store in a closed and sealed paper bag on a refrigerator shelf.
<b>Leafy vegetables</b>	▶ Remove store wrapping and trim or tear off bruised and discolored areas. Wash in cold water and drain. Place in plastic bag or plastic container and store in crisper.
<b>Vegetables with skins (carrots, peppers)</b>	▶ Place in plastic bags or plastic container and store in crisper.
<b>Fish</b>	▶ Use fresh fish and shellfish the same day purchased.
<b>Leftovers</b>	▶ Cover leftovers with plastic wrap or aluminum foil. Plastic containers with tight lids can also be used.

## STORING FROZEN FOOD

**NOTE:** For further information about preparing food for freezing or food storage times, check a freezer guide or a reliable cookbook.

### Packaging

Successful freezing depends on correct packaging. When you close and seal the package, it must not allow air or moisture in or out. If it does, you could have food odor and taste transfer throughout the refrigerator and also dry out frozen food.

### Packaging recommendations:

- Rigid plastic containers with tight-fitting lids
- Straight-sided canning/freezing jars
- Heavy-duty aluminum foil
- Plastic-coated paper
- Non-permeable plastic wraps
- Specified freezer-grade self-sealing plastic bags

Follow package or container instructions for proper freezing methods.

### Do not use

- Bread wrappers
- Containers without tight lids
- Wax paper or wax-coated freezer wrap
- Thin, semi-permeable wrap

**▲ CAUTION:** Do not keep beverage cans or plastic food containers in the freezer compartment. They may break or burst if they freeze.

# USING YOUR REFRIGERATOR

## Freezing

Your freezer will not quick-freeze any large quantity of food. Do not put more unfrozen food into the freezer than will freeze within 24 hours (no more than 2 to 3 lbs of food per cubic foot of freezer space). Leave enough space in the freezer for air to circulate around packages. Be careful to leave enough room at the front so the door can close tightly.

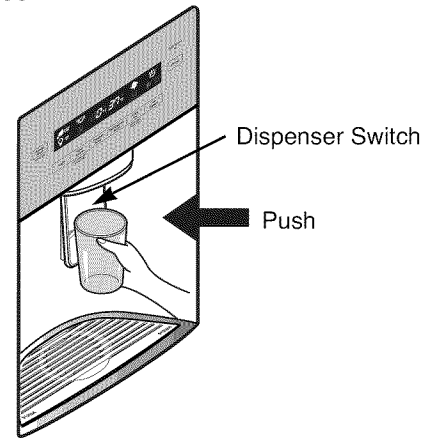
Storage times will vary according to the quality and type of food, the type of packaging or wrap used (airtight and moisture-proof) and the storage temperature. Ice crystals inside a sealed package are normal. This simply means that moisture in the food and air inside the package have condensed, creating ice crystals.

**NOTE:** Allow hot foods to cool at room temperature for 30 minutes, then package and freeze. Cooling hot foods before freezing saves energy.

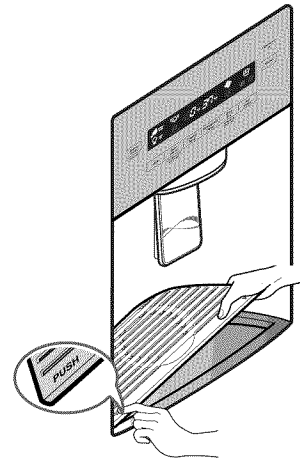
## REFRIGERATOR SECTION

### WATER DISPENSER

To dispense cold water, push on the dispenser switch with a glass.

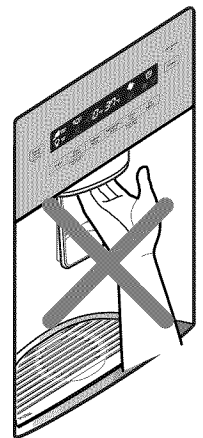


Press down on either of the front corners to remove the tray.



**▲ WARNING:** Do not put your fingers up the ice chute opening. Doing so can result in severe injury.

**▲ CAUTION:** Do not dispense ice into fine china or crystal glasses. China or crystal can break.



# USING YOUR REFRIGERATOR

## REFRIGERATOR SHELVES

The shelves in your refrigerator are adjustable to meet your individual storage needs. Your model may have glass or wire shelves.

Storing similar food items together in your refrigerator and adjusting the shelves to fit different heights of items will make finding the exact item you want easier; it will also reduce the amount of time the refrigerator door is open, saving energy.

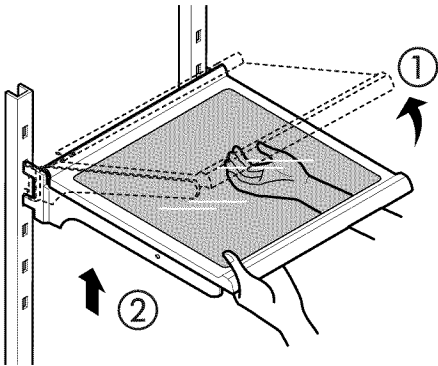
**IMPORTANT:** Do not clean glass shelves with warm water while they are cold. Shelves may break if exposed to sudden temperature changes or impact, such as bumping. For your protection, glass shelves are made with tempered glass, which will shatter into small pebble-sized pieces.

**NOTE:** Glass shelves are heavy. Use special care when removing them to avoid dropping them.

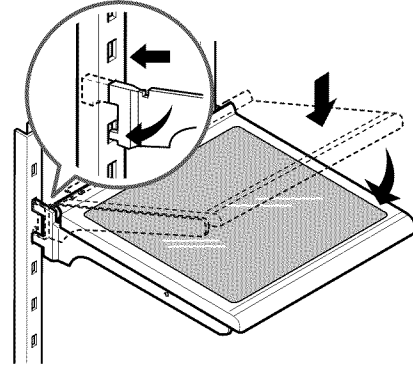
### Adjusting Shelves

Remove shelves from the shipping position and replace shelves in the position you want.

- **To remove a shelf**—Tilt up the front of the shelf in the direction of ① and lift it in the direction of ②. Pull the shelf out.



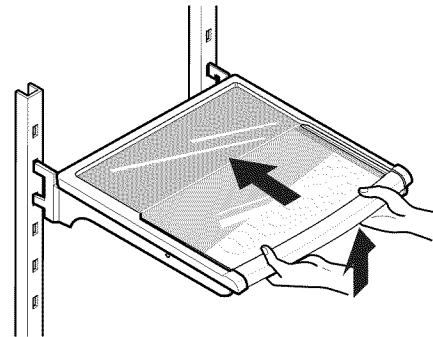
- **To reinstall a shelf**—Tilt the front of the shelf up and guide the shelf hooks into the slots at a desired height. Then lower the front of the shelf so that the hooks drop into the slots.



- ▲ **CAUTION:** Make sure that shelves are level from one side to the other. Failure to do so may result in the shelf falling or spilling food.

### Folding Shelf

You can store taller items such as a gallon container or bottles by simply pushing the front half of shelf underneath back half of shelf. Pull toward you to return to a full shelf.





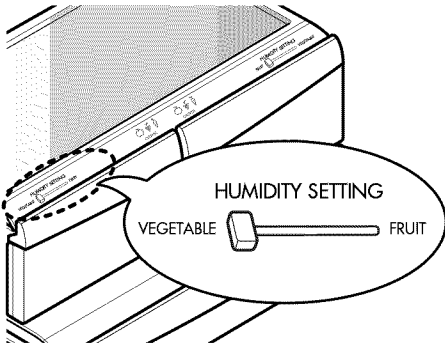
# USING YOUR REFRIGERATOR

## HUMIDITY CONTROLLED CRISPER

The crispers provide fresher-tasting fruit and vegetables by letting you easily control humidity inside the drawer.

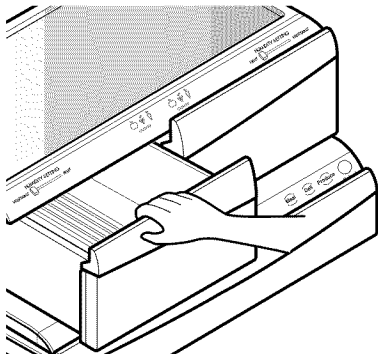
You can control the amount of humidity in the moisture-sealed crispers. Adjust the control to any setting between **VEGETABLE** and **FRUIT**.

- **VEGETABLE** keeps moist air in the crisper for best storage of fresh, leafy vegetables.
- **FRUIT** lets moist air out of the crisper for best storage of fruits.



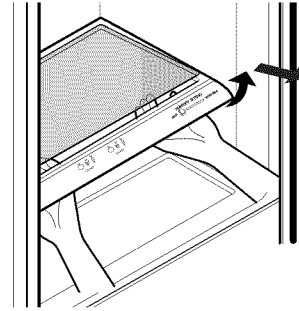
## REMOVING HUMIDITY CONTROLLED CRISPER

1. To remove, pull the drawer out to full extension.
2. Lift the front of the crisper up, then pull it straight out.
3. To install, slightly tilt up the front and insert the drawer into the frame and push it back into place.



## To remove the glass

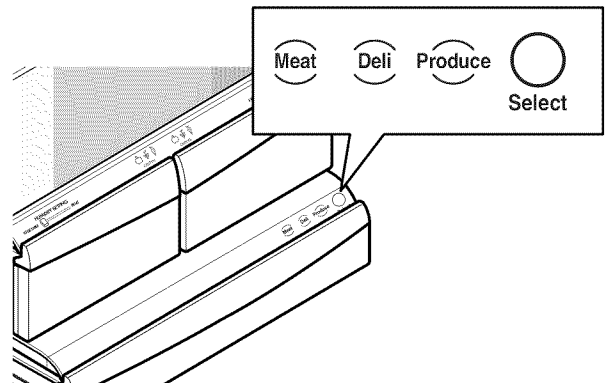
1. Lift up the glass under the crisper cover.
2. Pull the glass up and out.



## TEMPERATURE CONTROLLED PANTRY DRAWER

The **Temperature Controlled Pantry Drawer** provides storage space with a variable temperature control, that can keep the compartment colder than the refrigerator section. This drawer can be used for large party trays, deli items, and beverages. (This drawer should not be used for vegetables that require high humidity).

Press the **Select** button to choose between Meats, Deli, and Produce.

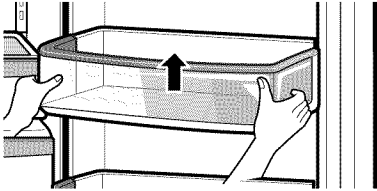


# USING YOUR REFRIGERATOR

## MODULAR DOOR BIN

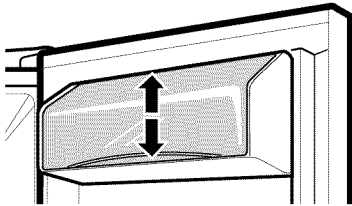
The door bins are removable for easy cleaning and adjusting.

1. To remove the bin, simply lift the bin up and pull straight out.
2. To replace the bin, slide it in above the desired support button and push down until it snaps into place.



## DAIRY BIN

1. To remove the dairy bin, simply lift it and pull straight out.
2. To replace the dairy bin, slide it into place and push down until it stops.

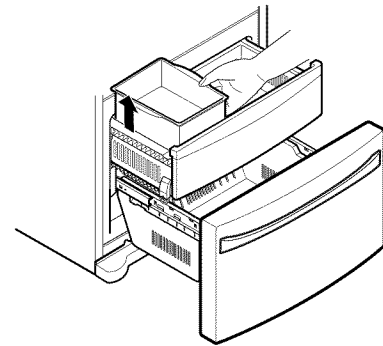
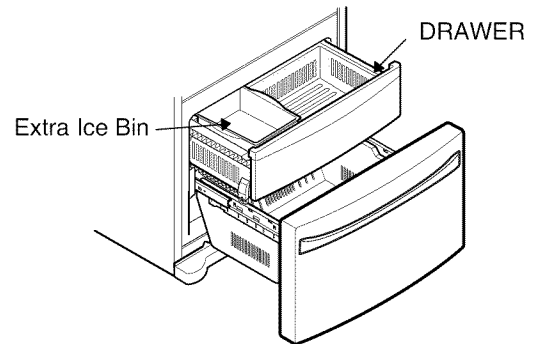


**NOTE:** The dairy bin will only fit in the top space on the right-hand door.

## FREEZER SECTION

### EXTRA ICE BIN

1. To remove the ice bin from the upper drawer, pull out the drawer as far as possible.
2. Gently lift and pull out the ice bin.
3. To install, pull out the drawer as much as possible and set the ice bin in its correct position, then push in the drawer.

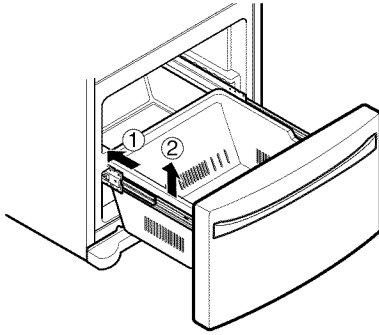


**▲ CAUTION:** Pinch hazard! Keep hands and feet clear of the bottom of the door when opening and closing.

## USING YOUR REFRIGERATOR

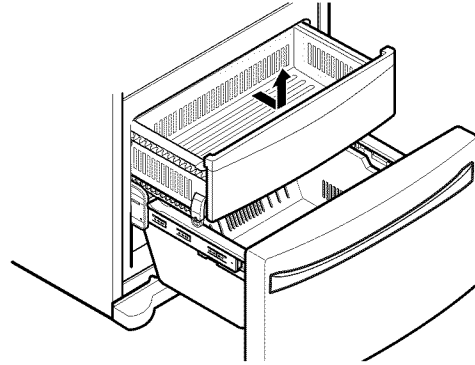
### DURABASE

1. To remove the Durabase, push it to the back as much as possible. Tilt up the front of the Durabase and pull straight out.
2. To install, insert the Durabase in rail assembly.

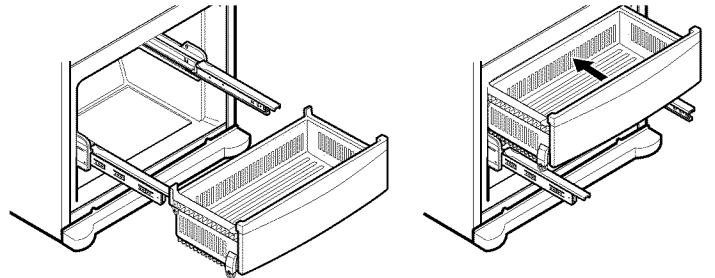


### PULLOUT DRAWER

1. To remove, pull the drawer out to full extension. Lift the front of the drawer up, then pull it straight out.

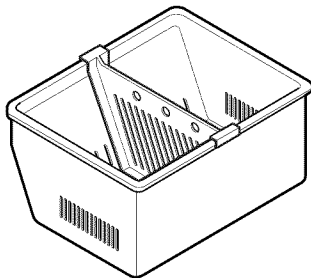


2. To install, slightly tilt up the front and insert the drawer into the frame and push it back into place.



### DURABASE DIVIDER

The Durabase divider allows you to organize the Durabase area into sections.



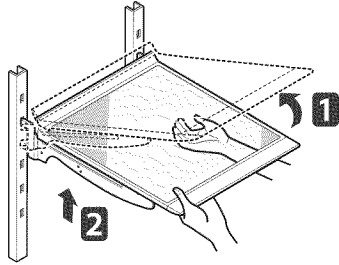
- ▲ WARNING:** If the Durabase divider is removed, there is enough open space for children or pets to crawl inside. To prevent accidental child and pet entrapment or suffocation risk, **DO NOT** allow them to touch or go near the freezer drawer.


## FILTER

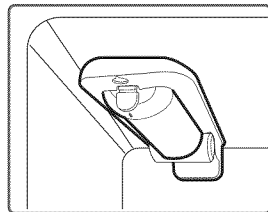
### Before Replacing the Water Filter:

If the top shelf, located below the water filter, is in the highest position, it will need to be removed prior to replacing the water filter.

To remove any shelf—Tilt up the front of the shelf in the direction of **1** and lift it in the direction of **2**. Pull the shelf out.



It is recommended that you replace the filter approximately every 6 months, when the water filter indicator (  ) turns on, or when the ice and water dispenser noticeably decreases output.

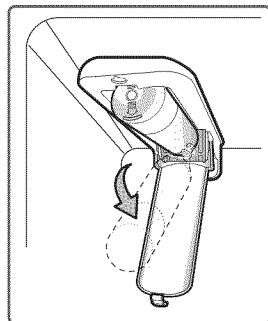
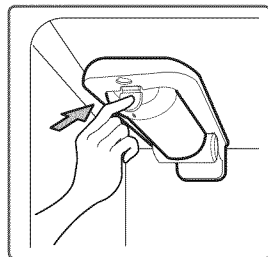


### 1. Remove the old filter.

- Press the push button to open the filter cover.

**NOTE:** Replacing the filter causes a small amount of water (around 1 oz. or 25 cc) to drain. Place a cup under the filter hole to catch any waste.

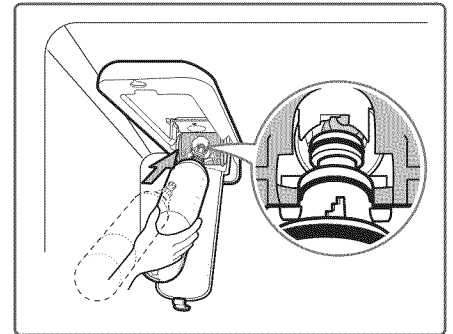
- Pull the filter downward and pull out.



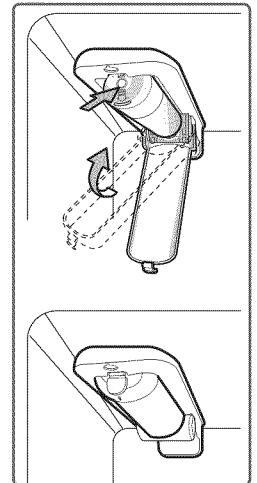
### 2. Replace with a new filter.

- Take the new filter out of its packaging and remove the protective cover from the o-rings.

With filter "tabs" in the horizontal position, push the new filter into the manifold hole until it stops.



- Firmly lock in the filter. The cover will click back into place.

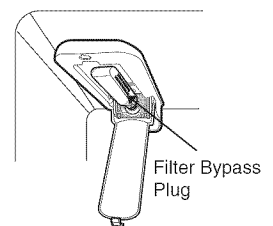


3. After replacing the filter, flush 2.5 gallons through filter before use (flush for approximately 5 minutes) and check the filter for leaks. To reset the water filter status display and indicator light, press and hold the Ultra Ice (Filter Reset) button for at least 3 seconds.

### 4. Filter Bypass Plug

Keep the filter bypass plug. You **MUST** use the filter bypass plug when a replacement filter cartridge is not available.

**CAUTION:** DO NOT operate refrigerator without filter or filter plug installed.



**NOTE:** To purchase replacement water filter, visit your Sears store or 1-800-4MY-HOME. Also visit us on the web at [www.sears.com/partsdirect](http://www.sears.com/partsdirect).

# FILTER

## Performance Data Sheet

**Model: LG ADQ36006102-S**

Use Replacement Filter: ADQ36006102

The concentration of the indicated substances in water entering the system was reduced to a concentration less than or equal to the permissible limit for water leaving the system as specified in NSF/ANSI Standard 42 and Standard 53.



System tested and certified by NSF International against NSF/ANSI Standard 42 and Standard 53 for the reduction of substances listed below.

Contaminant Reduction	Average Influent	NSF specified Challenge Concentration	Avg % Reduction	Average Product Water Concentration	Max Permissible Product Water Concentration	NSF Reduction Requirements	NSF Test Report
Chlorine Taste and Odor	2.1 mg/L	2.0 mg/L $\pm$ 10%	97.2%	0.06 mg/L	N/A	$\geq$ 50%	J-00049247
Nominal Particulate Class I, , $\geq$ 0.5 to < 1.0 $\mu$ m	5,600,000 pts/mL	At least 10,000 particles/mL	98.7%	73,000 pts/ml	N/A	$\geq$ 85%	J-00049282
Asbestos	190 MFL	10 <sup>7</sup> to 10 <sup>8</sup> MFL; fibers greater than 10 $\mu$ m in length	>99%	< 1MLF	N/A	$\geq$ 99%	J-0004928
Atrazine	0.0094 mg/L	0.009 mg/L $\pm$ 10%	94.7%	0.00005 mg/L	0.003 mg/L	N/A	J-00049293
Benzene	0.016 mg/L	0.015 mg/L $\pm$ 10%	96.7%	0.005 mg/L	0.005 mg/L	N/A	J-00049300
Carbofuran	0.08 mg/L	0.08 mg/L $\pm$ 10%	98.1%	0.002 mg/L	0.04 mg/L	N/A	J-00049294
Lindane	0.002 mg/L	0.002 mg/L $\pm$ 10%	98.2%	0.00004 mg/L	0.0002 mg/L	N/A	J-00051975
P-Dichlorobenzene	0.22 mg/L	0.225 mg/L $\pm$ 10%	99.8%	0.0005 mg/L	0.075 mg/L	N/A	J-00049298
Toxaphene	0.014 mg/L	0.015 mg/L $\pm$ 10%	93%	0.001 mg/L	0.003 mg/L	N/A	J-00049302
2,4-D	0.213 mg/L	0.210 mg/L $\pm$ 10%	95.2%	0.009 mg/L	0.07 mg/L	N/A	J-00049284
Lead pH @6.5	0.150 mg/L	0.15 mg/L $\pm$ 10%	>99.3%	0.001 mg/L	0.010 mg/L	N/A	J-00051974
Lead pH @8.5	0.150 mg/L	0.15 mg/L $\pm$ 10%	>99.3%	0.001 mg/L	0.010 mg/L	N/A	J-00049277
Mercury @ pH 6.5	0.0059 mg/L	0.006 mg/L $\pm$ 10%	96.1	0.0002 mg/L	0.002 mg/L	N/A	J-00053886
Mercury @ pH 8.5	0.0058 mg/L	0.006 mg/L $\pm$ 10%	90.1	0.0006 mg/L	0.002 mg/L	N/A	J-00051972
Cyst*	120,000 cysts/L	Minimum 50,000 cysts/L	99.99%	<1 cyst/L	N/A	$\geq$ 99.95%	J-00049281

\* Based on the use of *Cryptosporidium parvum* oocysts

## FILTER

Application Guidelines/Water Supply Parameters	
Service Flow	0.5 gpm (1.9 lpm)
Water Supply	Potable Water
Water Pressure	20 -120 psi (138 - 827 kPa)
Water Temperature	33°F - 100°F (0.6°C - 38°C)

It is essential that the manufacturer's recommended installation, maintenance and filter replacement requirements be carried out for the product to perform as advertised.

**Note:** While the testing was performed under standard laboratory conditions, actual performance may vary.

Replacement Filter: ADQ36006102

For estimated costs of replacement elements please call 1-800-469-4663 or visit our website at [www.sears.com/partsdirect](http://www.sears.com/partsdirect)

3M is a trademark of 3M Company.  
NSF is a trademark of NSF International.  
© 2009 3M Company. All rights reserved.

### WARNING

**To reduce the risk associated with ingestion of contaminants: Do not use with water that is microbiologically unsafe or of unknown quality without adequate disinfection before and after the system.** Systems certified for cyst reduction may be used on disinfected water that may contain filterable cysts. EPA Establishment Number 10350-MN-005

### CAUTION

**To reduce the risk associated with property damage due to water leakage:**

- **Read and follow** Use Instructions before installation and use of this system.
- Installation and use **MUST** comply with all state and local plumbing codes.
- **Do not** install if water pressure exceeds 120 psi (827 kPa). Contact a plumbing professional if you are uncertain how to check your water pressure.
- **Do not** install where water hammer conditions may occur. If water hammer conditions exist you must install a water hammer arrester. Contact a plumbing professional if you are uncertain how to check for this condition.
- **Do not** install on hot water supply lines. The maximum operating water temperature of this filter system is 100°F (38°C).
- **Protect filter from freezing.** Drain filter when temperatures drop below 40°F (4.4°C).
- The disposable filter must be replaced every 6 months or more often depending on useage.

**FILTER**

State of California  
Department of Public Health  
Water Treatment Device  
Certificate Number  
09 - 2019

Date Issued: December 15, 2009

**Trademark/Model Designation**

ADQ36006102-S

**Replacement Elements**

ADQ36006102

**Manufacturer:** Sears Brands Management Corporation

The water treatment device(s) listed on this certificate have met the testing requirements pursuant to Section 116830 of the Health and Safety Code for the following health related contaminants:

**Microbiological Contaminants and Turbidity**

Cysts

**Inorganic/Radiological Contaminants**

Asbestos

Lead

Mercury

**Organic Contaminants**

2,4-D Reduction

Atrazine

Benzene

Carbofuran

Lindane

p-Dichlorobenzene

Toxaphene

**Rated Service Capacity:** 200 gal

**Rated Service Flow:** 0.5 gpm

**Conditions of Certification:**

## CARE AND CLEANING

### **WARNING**



#### **Explosion Hazard**

Use non-flammable cleaner. Failure to do so can result in death, explosion, or fire.

Both the refrigerator and freezer sections defrost automatically. However, clean both sections about once a month to prevent odors. Wipe up spills immediately.

### **GENERAL CLEANING TIPS**

- Unplug refrigerator or disconnect power.
- Remove all removable parts, such as shelves, crispers, etc. Refer to sections in Using Your Refrigerator for removal instructions.
- Use a clean sponge or soft cloth and a mild detergent in warm water. Do not use abrasive or harsh cleaners.
- Hand wash, rinse and dry all surfaces thoroughly.
- Plug in refrigerator or reconnect power.

### **OUTSIDE**

Waxing external painted metal surfaces helps provide rust protection. Do not wax plastic parts. Wax painted metal surfaces at least twice a year using appliance wax (or auto paste wax). Apply wax with a clean, soft cloth.

For products with a stainless steel exterior, use a clean sponge or soft cloth and a mild detergent in warm water. Do not use abrasive or harsh cleaners. Dry thoroughly with a soft cloth. Do not use appliance wax, bleach, or other products containing chlorine on stainless steel.

### **INSIDE WALLS (allow freezer to warm up so the cloth will not stick)**

To help remove odors, you can wash the inside of the refrigerator with a mixture of baking soda and warm water. Mix 2 tablespoons baking soda to 1 quart of water (26 g soda to 1 liter water.) Be sure the baking soda is completely dissolved so it does not scratch the surfaces of the refrigerator.

**CAUTION:** While cleaning the inside, do not spray water.

### **DOOR LINERS AND GASKETS**

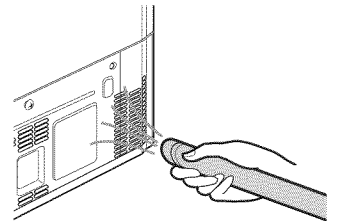
Do not use cleaning waxes, concentrated detergents, bleaches, or cleaners containing petroleum on plastic refrigerator parts.

### **PLASTIC PARTS (covers and panels)**

Do not use window sprays, abrasive cleansers, or flammable fluids. These can scratch or damage the material.

### **CONDENSER COILS**

Use a vacuum cleaner with an attachment to clean the condenser cover and vents.



### **LIGHT BULB REPLACEMENT**

#### **WARNING**

#### **Electrical Shock Hazard**

Before replacing a Light Bulb, either unplug the refrigerator or turn off power at the circuit breaker or fuse box.

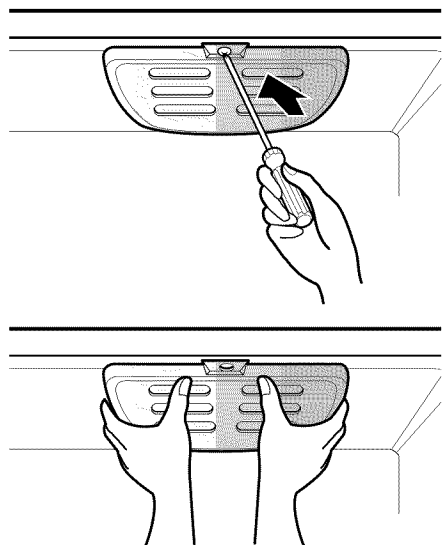
**NOTE:** Refrigerator light is LED interior lighting and service should only be performed by a qualified technician.



## CARE AND CLEANING

### Change Freezer Compartment Light Bulb

1. Unplug refrigerator power cord from outlet.
2. Remove the screw using a Phillips screwdriver.
3. Grasp the light cover, pull the cover downward.
4. Make sure the bulb is cool to the touch.  
Rotate the bulb counterclockwise to remove.
5. Replace with a new 60-watt appliance bulb.
6. Insert tabs on back of cover into slots in freezer ceiling. Push cover up to snap front into place.
7. Tighten the screw using a Phillips screwdriver.



**▲ CAUTION:** DO NOT place fingers inside of cover. Lamp may be hot.

- When you are finished, reconnect the refrigerator to the electrical source and reset the controls.

### POWER INTERRUPTIONS

1. If the power will be out for 24 hours or less, keep all refrigerator doors closed to help foods stay cold and frozen.
2. If the power will be out for more than 24 hours, remove all frozen food and store it in a frozen food locker.

### WHEN YOU GO ON VACATION

**If you choose to leave the refrigerator on while you are away**, follow these steps to prepare your refrigerator before you leave.

1. Use up any perishables and freeze other items.
2. Turn off icemaker and empty the ice bin.

**If you choose to turn the refrigerator off before you leave**, follow these steps.

1. Remove all food from the refrigerator.
2. Clean refrigerator, wipe it and dry well.
3. Tape rubber or wood blocks to the tops of both doors to prop them open far enough for air to get in. This stops odor and mold from building up.

### WHEN YOU MOVE

When you are moving your refrigerator to a new home, follow these steps to prepare it for the move.

1. Remove all food from the refrigerator and pack all frozen food in dry ice.
2. Unplug the refrigerator.
3. Clean, wipe and dry thoroughly.
4. Take out all removable parts, wrap them well and tape them together so they do not shift and rattle during the move. Refer to sections in **Using your Refrigerator** for removable instructions.
5. Depending on the model, raise the front of the refrigerator so it rolls more easily OR screw in the leveling legs all the way so they do not scrape the floor. See the **Door Closing** section.
6. Tape the doors shut and tape the power cord to the refrigerator cabinet.

When you get to your new home, put everything back and refer to the **Installing Your Refrigerator** section for preparation instructions.

## ABOUT THE AUTOMATIC ICEMAKER

### AUTOMATIC ICEMAKER

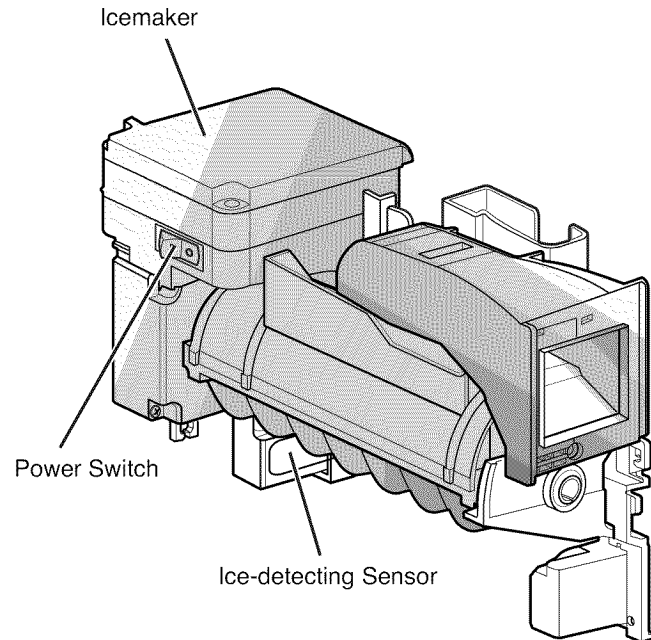
Ice is made in the automatic icemaker and sent to the dispenser. The icemaker will produce 70~210 cubes in a 24-hour period, depending on freezer compartment temperature, room temperature, number of door openings and other operating conditions.

- It takes about 12 to 24 hours for a newly installed refrigerator to make ice.
- Icemaking stops when the ice storage bin is full.
- To turn off the automatic icemaker, set the icemaker switch to OFF(O). To turn on the automatic icemaker, set the switch to ON(I).
- The water pressure must be between 20 and 120psi on models without a water filter and between 40 and 120 psi on models with a water filter to produce the normal amount and size of ice cubes.

### **⚠ WARNING**

#### **Personal Injury Hazard**

**DO NOT** place fingers or hands on the automatic icemaking mechanism while the refrigerator is plugged in.



## ABOUT THE AUTOMATIC ICEMAKER

### ▲ CAUTIONS

- The first ice and water may include particles or odor from the water supply line or the water tank.
- Throw away the first few batches of ice.
- This is also necessary if the refrigerator has not been used for a long time.
- Never store beverage cans or other foods in the ice bin for the purpose of rapid cooling. Doing so may damage the icemaker or the containers may burst.
- If discolored ice is dispensed, check the water filter and water supply. If the problem continues, contact Sears or other qualified service center. Do not use the ice or water until the problem is corrected.
- Keep children away from the dispenser. Children may play with or damage the controls.
- The ice passage may also become blocked with frost if only crushed ice is used. Remove the frost that accumulates.
- Never use thin crystal glass or crockery to collect ice. Such glasses or containers may break, and glass fragments could be in the ice.
- Dispense ice into a glass before filling it with water or other beverages. Splashing may occur if ice is dispensed into a glass that already contains liquid.
- Never use a glass that is exceptionally narrow or deep. Ice may jam in the ice passage and refrigerator performance may be affected.
- Keep the glass at a proper distance from the ice outlet. A glass held too close to the outlet may prevent ice from dispensing.
- To avoid personal injury, keep hands out of the ice door and passage.
- Never remove the dispenser cover.
- If you find ice or water dispensed unexpectedly, turn off the water supply and contact Sears Home Service at **1-800-4 MY HOME**.

### WHEN YOU SHOULD SET THE ICEMAKER POWER SWITCH TO OFF (O)

- When the water supply will be shut off for several hours.
- When the ice bin is removed for more than a minute or two.
- When the refrigerator will not be used for several days.

**NOTE:** Ice Bin should be emptied when the icemaker on/off switch is turned to the Off (O) position.

### NORMAL SOUNDS YOU MAY HEAR

- The icemaker water valve will buzz as the icemaker fills with water. If the power switch is in the **On (I)** position, it will buzz even if it has not yet been hooked up to water. To stop the buzzing, move the power switch to **Off (O)**.

**NOTE:** Keeping the power switch in the **On (I)** position before the water line is connected can damage the icemaker.

- You will hear the sound of cubes dropping into the bin and water running in the pipes as the icemaker refills.

### PREPARING FOR VACATION

Set the icemaker power switch to **Off (O)** and shut off the water supply to the refrigerator.

**NOTE:** Ice Bin should be emptied anytime the icemaker on/off switch is turned to the **Off (O)** position.

If the ambient temperature will drop below freezing, have a qualified servicer drain the water supply system to prevent serious property damage due to flooding from ruptured water lines or connections.

# CONNECTING THE WATER LINE

## BEFORE YOU BEGIN

This water line installation is not warranted by the refrigerator or icemaker manufacturer or retailer. Follow these instructions carefully to minimize the risk of expensive water damage.

Water hammer (water banging in the pipes) in house plumbing can cause damage to refrigerator parts and lead to water leakage or flooding. Call a qualified plumber to correct water hammer before installing the water supply line to the refrigerator.

To prevent burns and product damage, do not hook up the water line to the hot water line.

If you use your refrigerator before connecting the water line, make sure the icemaker power switch is in the **O (off)** position.

Do not install the icemaker tubing in areas where temperatures fall below freezing.

When using any electrical device (such as a power drill) during installation, be sure the device is double-insulated or grounded in a manner to prevent the hazard of electric shock, or is battery-powered.

If a **reverse osmosis water filtration system** is connected to your cold water supply, this water line installation is not warranted by the refrigerator or icemaker manufacturer or retailer. Follow next instructions carefully to minimize the risk of expensive water damage.

If a **reverse osmosis water filtration system** is connected to your cold water supply, the water pressure to the reverse osmosis system needs to be a minimum of 40 to 60 psi (2.8 kgf/cm<sup>2</sup> ~ 4.2 kgf/cm<sup>2</sup>, less than 2.0~3.0sec to fill a cup of 7oz capacity).

If the water pressure from the reverse osmosis system is less than 21 psi (1.5 kgf/cm<sup>2</sup>, more than 4.0sec to fill a cup of 7oz capacity):

Check to see whether the sediment filter in the reverse osmosis system is blocked. Replace the filter if necessary.

Allow the storage tank on the reverse osmosis system to refill after heavy usage.

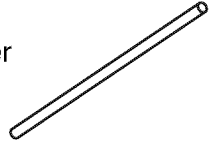
If the issue about water pressure from reverse osmosis remains, call a licensed, qualified plumber.

All installations must be in accordance with local plumbing code requirements.

**NOTE:** Wear eye protection.

## WHAT YOU WILL NEED

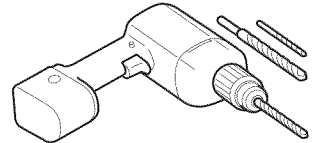
- **Copper Tubing**, 1/4" outer diameter to connect the refrigerator to the water supply. Be sure both ends of the tubing are cut square.



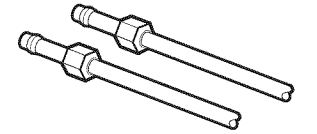
To determine how much tubing you need, measure the distance from the water valve on the back of the refrigerator to the water supply pipe. Then add 8 feet (2.4 m). Be sure there is sufficient extra tubing (about 8 feet [2.4 m] coiled into 3 turns of about 10" [25 cm] diameter) to allow the refrigerator to move out from the wall after installation.

- **A cold water supply.** The water pressure must be between 20 and 120 p.s.i. on models without a water filter and between 40 and 120 p.s.i. on models with a water filter.

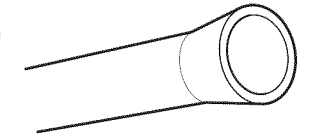
- **Power drill.**
- **1/2" or adjustable wrench.**
- **Straight- and Phillips-blade screwdriver.**



- **Two 1/4" outer diameter compression nuts and 2 ferrules (sleeves)** to connect the copper tubing to the shutoff valve and the refrigerator water valve.

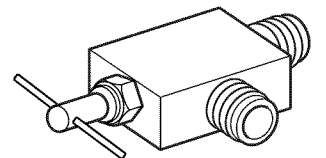


- If your existing copper water line has a flared fitting at the end, you will need an **adapter** (available at plumbing supply stores) to connect the water line to the refrigerator OR you can cut off the flared fitting with a tube cutter and then use a compression fitting.



- **Shutoff valve to connect to the cold water line.**

The shutoff valve should have a water inlet with a minimum inside diameter of 5/32" at the point of connection to the COLD WATER LINE. Saddle-type shutoff valves are included in many water supply kits. Before purchasing, make sure a saddle-type valve complies with your local plumbing codes.



**NOTE:** Self Piercing Saddle Type Water Valve should not be used.

# CONNECTING THE WATER LINE

## INSTALLATION INSTRUCTIONS

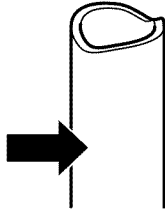
Install the shutoff valve on the nearest frequently used drinking water line.

### 1. SHUT OFF THE MAIN WATER SUPPLY

Turn on the nearest faucet to relieve the pressure on the line.

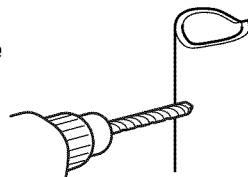
### 2. CHOOSE THE VALVE LOCATION

Choose a location for the valve that is easily accessible. It is best to connect into the side of a vertical water pipe. When it is necessary to connect into a horizontal water pipe, make the connection to the top or side, rather than at the bottom, to avoid drawing off any sediment from the water pipe.



### 3. DRILL THE HOLE FOR THE VALVE

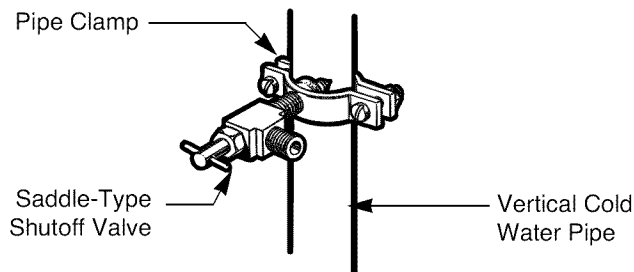
Drill a 1/4" hole in the water pipe using a sharp bit. Remove any burrs resulting from drilling the hole in the pipe. Take care not to allow water to drain into the drill. Failure to drill a 1/4" hole may result in reduced ice production or smaller cubes.



**NOTE:** The hookup line cannot be white, plastic tubing. Licensed plumbers must use only copper tubing NDA tubing #49595 or 49599 or Cross Link Polyethylene(PEX) tubing.

### 4. FASTEN THE SHUTOFF VALVE

Fasten the shutoff valve to the cold water pipe with the pipe clamp.

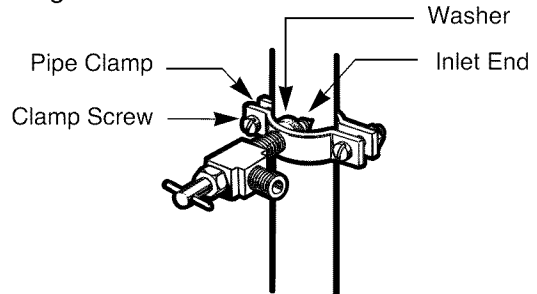


**NOTE:** Commonwealth of Massachusetts Plumbing Codes 248CMR shall be adhered to. Saddle valves are illegal and use is not permitted in Massachusetts. Consult with your licensed plumber.

### 5. TIGHTEN THE PIPE CLAMP

Tighten the clamp screws until the sealing washer begins to swell.

**NOTE:** Do not overtighten or you may crush the tubing.



### 6. ROUTE THE TUBING

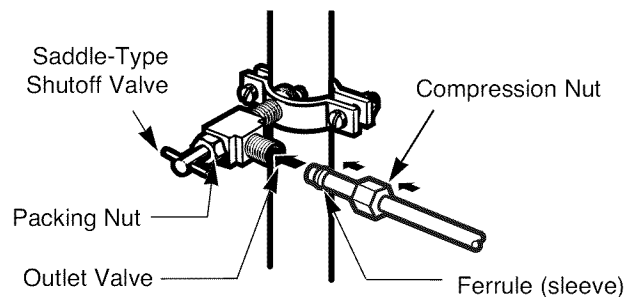
Route the tubing between the cold water line and the refrigerator.

Route the tubing through a hole drilled in the wall or floor (behind the refrigerator or adjacent base cabinet) as close to the wall as possible.

**NOTE:** Be sure there is sufficient extra tubing (about 8 feet coiled into 3 turns of about 10" diameter) to allow the refrigerator to move out from the wall after installation.

### 7. CONNECT THE TUBING TO THE VALVE

Place the compression nut and ferrule (sleeve) for copper tubing onto the end of the tubing and connect it to the shutoff valve. Make sure the tubing is fully inserted into the valve. Tighten the compression nut securely.



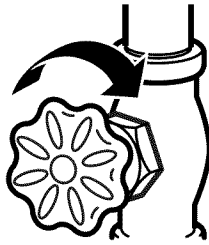
**NOTE:** Commonwealth of Massachusetts Plumbing Codes 248CMR shall be adhered to. Saddle valves are illegal and use is not permitted in Massachusetts. Consult with your licensed plumber.

## CONNECTING THE WATER LINE

### 8. FLUSH OUT THE TUBING

Turn the main water supply on and flush out the tubing until the water is clear.

Shut the water off at the water valve after about one quart of water has been flushed through the tubing.



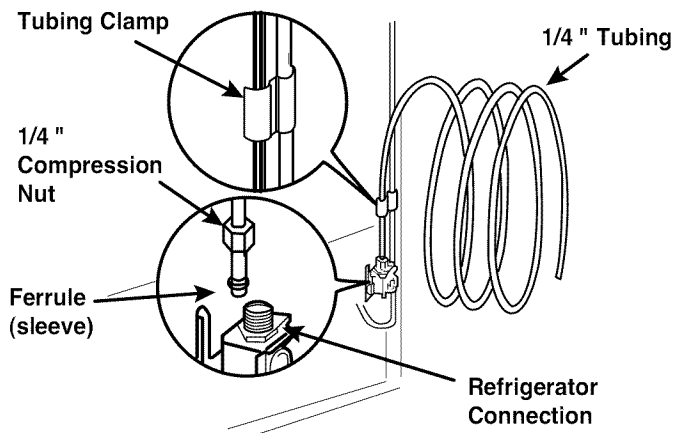
### 9. CONNECT THE TUBING TO THE REFRIGERATOR

#### NOTE:

• Before making the connection to the refrigerator, be sure the refrigerator power cord is not plugged into the wall outlet.

1. Remove the plastic flexible cap from the water valve.
2. Place the compression nut and ferrule (sleeve) onto the end of the tubing as shown.
3. Insert the end of the copper tubing into the connection as far as possible. While holding the tubing, tighten the fitting.

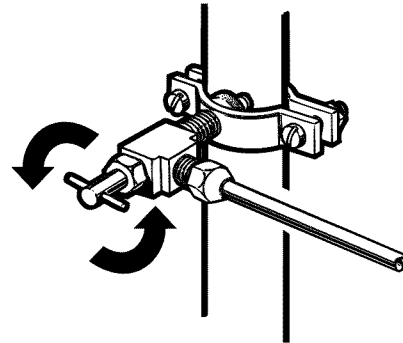
**▲ CAUTION:** Check to see if leaks occur at water line connections.



**▲ CAUTION:** Check to see if water dripping occurs at water line connections.

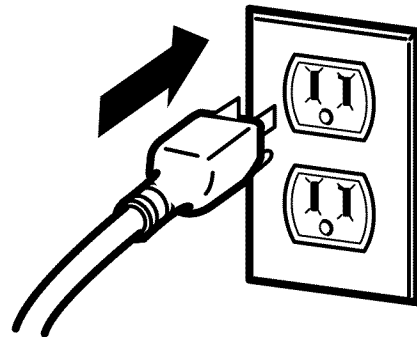
### 10. TURN THE WATER ON AT THE SHUTOFF VALVE

Tighten any connections that leak.



### 11. PLUG IN THE REFRIGERATOR

Arrange the coil of tubing so that it does not vibrate against the back of the refrigerator or against the wall. Push the refrigerator back to the wall.



### 12. START THE ICEMAKER

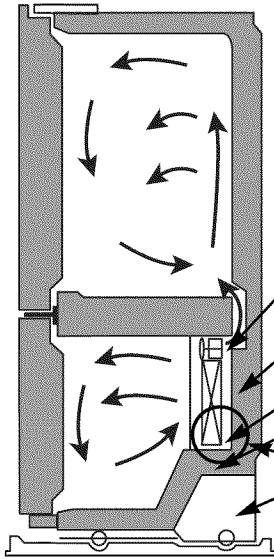
Set the icemaker power switch to the **On (I)** position.

**NOTE:** A newly installed refrigerator may take several hours to start producing ice.

## TROUBLESHOOTING GUIDE

### UNDERSTANDING SOUNDS YOU MAY HEAR

Your new refrigerator may make sounds that your old one did not make. Because the sounds are new to you, you might be concerned about them. Most of the new sounds are normal. Hard surfaces, like the floor, walls and cabinets, can make the sounds seem louder than they actually are. The following list describes the kinds of sounds and what may be making them.




- A clicking noise may come from the electronic control switching the cooling system on and off.
- Rattling noises may come from the flow of refrigerant, the water line, or items stored on top of the refrigerator.
- Your refrigerator is designed to run more efficiently to keep your food items at the desired temperature. The high efficiency compressor may cause your new refrigerator to run longer than your old one, but is still more energy efficient than previous models. While running, you may hear a pulsating or high-pitched sound, this is normal.
- You may hear the evaporator fan motor circulating the air through the refrigerator and freezer compartments.
- As each cycle ends, you may hear a gurgling sound due to the refrigerant flowing in your refrigerator.
- Contraction and expansion of the inside walls may cause a popping noise.
- Water dripping on the defrost heater during a defrost cycle may cause a sizzling sound.
- You may hear air being forced over the condenser by the condenser fan.
- You may hear water running into the drain pan during the defrost cycle.
- You can hear the noise occurring from the ice compartment fan in the freezer or the left side of the refrigerator when doors are open.

### REFRIGERATOR DOES NOT OPERATE

**Check if...**

**Then...**

The power supply cord is unplugged.	Firmly plug the cord into a live outlet with proper voltage.
A household fuse has blown or circuit breaker tripped.	Replace the fuse or reset the circuit breaker. Check that the house circuit is not overloaded.
Refrigerator is in the defrost cycle.	Wait about 30 minutes for defrost cycle to end.
Refrigerator is in Store salesfloor Demonstration mode. <div style="text-align: center; margin-top: 10px;">  </div>	The refrigerator control has been put into the store Demo (Demonstration) Mode. The Demonstration Mode disables the cooling system, only lamps and display work normally. To disable open one door, then press <b>Ultra Ice</b> and <b>Refrigerator Temp</b> buttons at the same time for 5 seconds. You will see the previous value setting you had on display when Demo Mode is deactivated.

## TROUBLESHOOTING GUIDE

### LIGHTS DO NOT WORK

**Check if...**

**Then...**

The power supply cord is unplugged.	Firmly plug the cord into a live outlet with proper voltage.
Light bulb is loose in the socket.	Unplug the refrigerator. Gently remove the bulb and reinsert. Then plug in refrigerator and reset the refrigerator control.
Light bulb has burned out.	Replace with an appliance bulb of the same wattage, size and shape available at your local hardware store. (See the <b>Changing the Light Bulb(s)</b> section on pages 32-33.) Unplug the refrigerator prior to replacement.

### VIBRATION OR RATTLING NOISE

**Check if...**

**Then...**

The refrigerator is not resting solidly on the floor.	Floor is weak or uneven or leveling legs need adjusting. See <b>Installation</b> section on pages 9 and 17.
---	---

### COMPRESSOR MOTOR SEEMS TO RUN TOO MUCH

**Check if...**

**Then...**

The refrigerator that was replaced was an older model.	Modern refrigerators with more storage space require more operating time. <b>Even though this refrigerator may run more than your older one it will still use less energy.</b>
The room temperature is hotter than normal.	The motor will run longer under warm conditions. At normal room temperatures, expect your motor to run about 40% to 80% of the time. Under warmer conditions, expect it to run even more often.
The door is opened often or a large amount of food has just been added.	Adding food and opening the door warms the refrigerator. It is normal for the refrigerator to run longer in order to cool the refrigerator back down. See the <b>Food Storage Guide</b> section on page 22. In order to conserve energy, try to get everything you need out of the refrigerator at once, keep food organized so it is easy to find and close the door as soon as the food is removed.
The refrigerator was recently plugged in and the refrigerator control was set correctly.	The refrigerator will take up to 24 hours to cool completely.
The refrigerator control is not set correctly for the surrounding conditions.	See the <b>Adjusting Control Settings</b> section on page 21.
The doors are not closed completely.	Push the doors firmly shut. If they will not shut all the way, see <b>Doors will not close completely</b> below.
The back cover is dirty.	A dirty back cover prevents air transfer and makes the motor work harder. Clean the back cover. Refer to the <b>Care and Cleaning</b> section on page 32-33.



## TROUBLESHOOTING GUIDE

### DOORS WILL NOT CLOSE COMPLETELY

Check if...	Then...
The refrigerator is not level.	See <b>Leveling and Door Alignment</b> section on page 17.
Food packages are blocking the door open.	Rearrange food containers to clear door and door shelves.
The ice bin, crisper cover, pans, shelves, door bins or baskets are out of position.	Push bins all the way in and put crisper cover, pans, shelves and baskets into their correct positions. See the <b>Using Your Refrigerator</b> section on pages 18–27.
The gaskets are sticking.	Clean the gaskets and the surfaces that they touch. Rub a thin coat of appliance polish or kitchen wax on the gaskets after cleaning.
The refrigerator wobbles or seems unstable.	Level the refrigerator. Refer to the <b>Leveling and Door Alignment</b> section on page 17.
The doors were removed during product installation and not properly replaced.	Remove and replace the doors according to the <b>Removing and Replacing Refrigerator handles and doors</b> section on pages 11–16, or call a qualified service technician.

### FROST OR ICE CRYSTALS ON FROZEN FOOD

Check if...	Then...
The door is not closing properly.	See <b>Doors will not close completely</b> above.
The door is opened often.	When the door is opened, warm, humid air is allowed in the freezer, resulting in frost.

### ICE HAS BAD TASTE OR ODOR

Check if...	Then...
The icemaker was recently installed.	Discard the first few batches of ice to avoid discolored or bad tasting ice.
The ice has been stored for too long.	Throw away old ice and make a new supply.
The food has not been wrapped tightly in either compartment.	Rewrap foods since odors may migrate to the ice if food is not wrapped properly.
The water supply contains minerals such as sulfur.	A filter may need to be installed to eliminate taste and odor problems.
The interior of refrigerator needs cleaning.	See <b>Care and Cleaning</b> section on pages 32-33.
Ice storage bin needs cleaning.	Empty and wash bin. Discard old cubes.

### THERE IS WATER IN THE DEFROST DRAIN PAN

Check if...	Then...
The refrigerator is defrosting.	The water will evaporate. It is normal for water to drip into the defrost pan.
It is more humid than normal.	Expect that the water in the defrost pan will take longer to evaporate. This is normal when it is hot or humid.

## TROUBLESHOOTING GUIDE

### THE REFRIGERATOR SEEMS TO MAKE TOO MUCH NOISE

Check if...

Then...

The sounds may be normal for your refrigerator.	Refer to the <b>Understanding Sounds You May Hear</b> section on page 39.
---	---

### THE ICEMAKER IS NOT PRODUCING ICE OR NOT ENOUGH ICE

Check if...

Then...


<b>New installation.</b>	Wait 24 hours after ice maker installation for ice production to begin. Wait 72 hours for full ice production.
<b>The refrigerator is not connected to a water supply or the supply shutoff valve is not turned on.</b>	Connect refrigerator to the water supply and turn water shutoff valve fully open.
<b>Reverse osmosis water filtration system is connected to your cold water supply.</b>	Reverse osmosis filtration systems can reduce the water pressure below the minimum amount (40 psi) and result in icemaker issues.
<b>Kink in the water source line.</b>	A kink in the line can reduce water flow. Straighten the water source line.
<b>Large amount of ice recently has been removed.</b>	Allow 24 hours for ice maker to produce more ice. <b>NOTE:</b> An extra ice bucket is provided in the freezer section for additional storage.
<b>The icemaker is not turned on.</b>	Locate the icemaker on/off switch and confirm it is in the On (I) position.
<b>There is something on the ice-detecting sensor.</b>	Foreign substances or frost on the ice-detecting sensor can interrupt ice production. Make sure the sensor area is clean at all times for proper operation.
<b>The temperature setting for the freezer is too warm.</b>	Below 0°F is the recommended temperature for the freezer compartment for normal ice production. If the freezer temperature is warmer, ice production will be affected.
<b>The doors are opened often.</b>	If the doors of the unit are opened often, the cold air will escape which will prevent the unit from maintaining the set temperature. Lowering the temperature can help, as well as not opening the doors as frequently.
<b>The doors are not closing properly.</b>	If the doors are not properly closed, ice production will be affected.
<b>The ice compartment door is not closing properly.</b>	If the ice compartment door is not properly closed, ice production will be affected. Make sure ice compartment door is closed for proper operation.
<b>Ultra Ice is not selected.</b>	With this option, the cold air in the compartment is increased as is ice production.

## TROUBLESHOOTING GUIDE

### NOT DISPENSING ICE

Check if...

Then...

<b>All the doors are not closed completely.</b>	Ice will not dispense if any of the refrigerator doors are left open.
<b>The dispenser display is locked.</b>	Press and hold the Lock (  ) for 3 seconds to unlock the control panel and dispenser.
<b>Ice is not selected on the dispenser.</b>	The dispenser can be set for ice or water. Make certain that the control panel is set for the proper operation. Press the dispenser button on the control panel to cycle through the ice and water options.
<b>The ice dispenser is not used often.</b>	Infrequent use of the ice dispenser will cause the cubes to stick together over time, which will prevent them from properly dispensing. Check the ice bin for ice cubes clumping/sticking together. If they are, break up the ice cubes to allow for proper operation.
<b>Ice bin is not installed correctly.</b>	Be sure to install the ice bin firmly into position.
<b>New installation.</b>	Wait 24 hours after ice maker installation for ice production to begin. Wait 72 hours for full ice production.
<b>Ice cubes are stuck in the delivery chute.</b>	Use a plastic utensil to clear the delivery chute.
<b>The ice dispenser is stalling while dispensing “crushed” ice.</b>	Change the ice button from “crushed” to “cubed”. If cubed ice dispenses correctly, depress the button for “crushed” ice and begin dispensing again.

### DISPENSING WARM WATER


Check if...

Then...

<b>New installation.</b>	Allow 24 hours after installation for the water supply to cool completely.
<b>The water dispenser has been recently used.</b>	The unit has its own water tank inside. The water storage capacity is 12 oz. (345 ml) of cold water.
<b>The refrigerator is connected to a hot water line.</b>	Make sure the refrigerator is connected to a cold water pipe.

## TROUBLESHOOTING GUIDE

### NOT DISPENSING WATER

Check if...	Then...
The dispenser panel is locked.	Press and hold the Lock (  ) for 3 seconds to unlock the control panel and dispenser.
New installation.	Flush and fill the water system.
Refrigerator or freezer doors are not closed properly.	Water will not dispense if any of the refrigerator doors are left open.
The refrigerator is not connected to a water supply or the supply shutoff valve is not turned on.	Connect refrigerator to the water supply and turn water shutoff valve fully open.
The water pressure is less than 40 psi.	The water pressure to the home affects the flow from the dispenser.
Home filter or reverse osmosis system is used.	This can decrease water pressure. It is recommended not to connect the supply line to a reverse osmosis system for optimal operation.
The dispenser is not set for water dispensing.	The dispenser can be set for ice or water. Make certain that the control panel is set for the proper operation. Press the dispenser button on the control panel to cycle through the ice and water options.
Water filter needs to be changed.	The filter should be changed every 6 months or more often depending on usage. The filter can become blocked over time with foreign particles and reduce the water pressure.

### THE DOORS ARE DIFFICULT TO OPEN

Check if...	Then...
The gaskets are dirty or sticky.	Clean gaskets and the surfaces that they touch. Rub a thin coat of appliance polish or kitchen wax on the gaskets after cleaning.
The door is reopened within a short time after having been opened.	When you open the door, warmer air enters the refrigerator. As the warm air cools, it can create a vacuum. If the door is hard to open, wait 5 minutes to allow the air pressure to equalize, then see if it opens more easily.

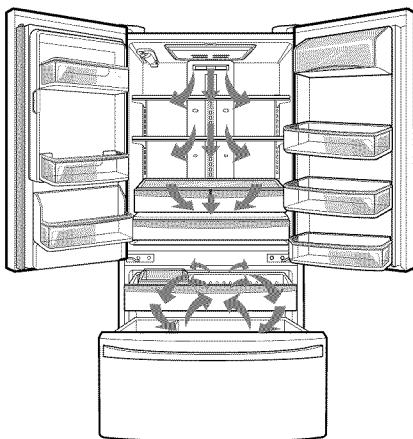
## TROUBLESHOOTING GUIDE

### TEMPERATURE IS TOO WARM OR THERE IS INTERIOR MOISTURE BUILDUP

Check if...	Then...
The air vents are blocked. Cold air circulates from the freezer to the fresh food section and back again through air vents in the wall dividing the two sections.	Locate air vents by using your hand to sense airflow and move all packages that block vents and restrict airflow. (See air flow diagram below).
The doors are opened often.	When the door is opened, warm humid air is allowed into the refrigerator. The more the door is opened, the faster the humidity builds up, and the more warm air the refrigerator must cool. In order to keep the refrigerator cool, try to get everything you need out of the refrigerator at once, keep food organized so it is easy to find and close the door as soon as the food is removed.
The control is not set correctly for the surrounding conditions.	Refer to the <b>Setting the Controls</b> section on page 18. Wait 24 hours for temperatures to stabilize or even out. If the temperature is too cold or too warm, change the setting one increment at a time.
A large amount of food has just been added to the refrigerator or freezer.	Adding food warms the refrigerator. It can take a few hours for the refrigerator to return to normal temperature.
The food is not packaged correctly.	Wrap food tightly and wipe off damp containers prior to storing in the refrigerator to avoid moisture accumulation. If necessary, repackage food according to the guidelines in the <b>Food Storage Guide</b> section on page 22.
The doors are not closing completely.	See <b>Doors will not close completely</b> on page 41.
The weather is humid.	In humid weather, air carries moisture into the refrigerator when the doors are opened.
A self-defrost cycle was completed.	It is normal for droplets to form on the back wall after the refrigerator self-defrosts.

### THE INTERIOR OF THE REFRIGERATOR IS COVERED WITH DUST OR SOOT

Check if...	Then...
The refrigerator is located near a fire source, such as a fireplace, chimney or candle.	Make sure that the refrigerator is not located near a fire source, such as a fireplace, chimney or candle.







# ÍNDICE

<b>Versión en Inglés</b>	<b>48</b>	Para retirar el recipiente para hortalizas	71
<b>Garantía</b>	<b>49</b>	Compartimento Pantry De Temperatura Controlada	71
<b>Contrato Maestro De Protección</b>	<b>50</b>	Canastas Ajustables	72
<b>Mensajes De Seguridad</b>	<b>51-53</b>	Recipiente Para Lácteos	72
<b>Requerimientos De Conexión A Tierra</b>	<b>53</b>	<b>► SECCIÓN CONGELADOR</b>	
<b>Partes Y Características</b>	<b>54</b>	Depósito de hielo extra	72
<b>Instalación Del Refrigerador</b>	<b>55-63</b>	Durabase	73
Desempacando El Refrigerador	55	Divisor De La Durabase	73
Instalación	56	Cajón Extraíble	73
Cómo Quitar Y Volver a Colocar Las Jaladeras De La Puerta, Del Cajón	57-62	<b>FILTRO de Agua</b>	<b>74-77</b>
Nivelación Y Alineación De La Puerta	63	<b>Cuidado Y Limpieza</b>	<b>78-79</b>
Cubierta de la base	63	Consejos Generales De Limpieza	78
<b>Usando Su Refrigerador</b>	<b>64-73</b>	Parte Exterior	78
Configuración de controles	64-65	Paredes Internas	78
Charola para hielo en la puerta	66	Revestimientos Y Empaques De La Puerta	78
Ajuste De Los Controles	67	Partes Plásticas	78
Guía De Almacenamiento De Alimentos	68	Bobinas Del Condensador	78
Como Guardar Alimentos Congelados	68-69	Reemplazo Del Foco	78-79
<b>► SECCIÓN REFRIGERADOR</b>		Apagones	79
Dispensador Del Agua	69	Cuando Ud. Salga De Vacaciones	79
Anaqueles Del Refrigerador	70	Cuando ud. Se cambie de casa	79
Control de la humedad del recipiente para hortalizas firmes	71	<b>Acerca De La Fábrica De Hielo</b>	<b>80-81</b>
		<b>Conexión De La Línea De Agua</b>	<b>82-84</b>
		<b>Guía Para Localización De Problemas</b>	<b>85-91</b>





## GARANTIA DEL FRIGORIFICO CON CONGELADOR INFERIOR

### Garantía limitada de Kenmore Elite

Si, tras ser instalado, usado y mantenido según todas las instrucciones incluidas con el producto, cualquier pieza no consumible de este electrodoméstico distinta al sistema de refrigerante estanco, sufriera averías debidas a defectos de material y mano de obra dentro del período de un año a partir de la fecha de compra, llame al 1-800-4-MY-HOME® para solicitar su reparación gratuita.

Esta cobertura será efectiva únicamente durante 90 días a partir de la fecha de compra, si este electrodoméstico es usado en alguna ocasión para fines distintos al del uso familiar privado.

Si el sistema de refrigeración estanco resultase defectuoso en un plazo de cinco años a partir de la fecha de compra, llame al 1-800-4-MY-HOME® para solicitar su reparación gratuita. Esta cobertura será efectiva únicamente durante un año a partir de la fecha de compra, si este electrodoméstico es usado en alguna ocasión para fines distintos al del uso familiar privado.

### Esta garantía cubre únicamente los defectos de material y mano de obra. Sears NO cubrirá:

1. Elementos consumibles que puedan desgastarse debido al uso normal. Incluyendo, aunque no limitado a, filtros, correas, focos y bolsas.
2. Un técnico de servicio para mostrar al usuario la instalación, funcionamiento o mantenimiento correctos del producto.
3. Un técnico de servicio para realizar labores de limpieza o mantenimiento del producto.
4. Daños o averías en caso de no acatar todas las instrucciones de instalación, funcionamiento o mantenimiento incluidas con el producto.
5. Daños o averías en caso de accidente, abuso, uso inadecuado o uso con propósitos distintos a los fines para los que fue diseñado.
6. Daños o averías en caso de usar detergentes, limpiadores, sustancias químicas o utensilios distintos a los recomendados en las instrucciones incluidas con el producto.
7. Daños o averías en las piezas o sistemas provocados por modificaciones del producto no autorizadas.

### Exención de responsabilidad de garantías implícitas; limitación de soluciones

El único y exclusivo recurso del cliente bajo esta garantía limitada será la reparación del producto como se ha mencionado. Las garantías implícitas, incluyendo garantías de comerciabilidad o idoneidad para un fin concreto, están limitadas a un año o el período de tiempo más reducido permitido por la ley. Sears no será responsable de los daños incidentales o derivados. Ciertos estados y provincias no permiten exclusiones o limitaciones de daños incidentales o derivados, o limitaciones en relación a la duración de las garantías implícitas de comerciabilidad o idoneidad, de tal forma que estas limitaciones o excepciones pueden no ser pertinentes para usted.

Esta garantía será aplicable únicamente mientras este electrodoméstico sea usado dentro de los Estados Unidos o Canadá.

Esta garantía le otorga unos derechos legales específicos, e incluso puede conferirle otros derechos, distintos dependiendo del estado en que se encuentre.

**Sears Brands Management Corporation, Hoffman Estates, IL 60179**

**Sears Canadá Inc., Toronto, Ontario, Canadá M5B 2B8**

## CONTRATO MAESTRO DE PROTECCION

### Contratos de protección maestra

Felicitaciones por su compra inteligente. Su nuevo producto Kenmore® está diseñado y fabricado para muchos años de operación confiable. Sin embargo, al igual que todos los productos, puede requerir de mantenimiento o reparación preventivas de vez en cuando. Es ahí cuando el contrato de protección maestra le puede ahorrar dinero y molestias.

El Contrato de protección maestra también le ayuda a ampliar la vida de su nuevo producto. Lo siguiente es lo que se incluye en el contrato\*:

- Piezas y mano de obra** necesaria para ayudar a mantener los productos en funcionamiento adecuado **bajo un uso normal**, no sólo defectos. Nuestra cobertura va **mucho más allá de la garantía del producto**. Sin franquicia, ni falla funcional excluidos de la cobertura: **protección real**.
- Servicio experto** otorgado por un grupo de más de 10.000 técnicos de reparación autorizados de Sears, lo que significa que alguien en quien usted confía trabajará con su producto.
- Servicio ilimitado a domicilio en toda la nación**, cuantas veces quiera, cuando lo necesite.
- Garantía contra productos defectuosos:** reposición de su producto cubierto si ocurren cuatro o más fallas del producto dentro de doce meses.
- Reposición del producto** si el producto cubierto no puede repararse.
- Revisión anual de mantenimiento preventivo** a su solicitud: sin cargo adicional.
- Ayuda telefónica rápida** -lo llamamos **resolución rápida**- asistencia telefónica de parte de un técnico Sears sobre todos los productos. Piense en nosotros como un "manual de usuario que habla".

- Protección contra descargas eléctricas** para daños debido a fluctuaciones eléctricas.
- Protección por pérdida de alimentos de \$250** anualmente por alimentos que se han echado a perder por un mal funcionamiento de refrigeradores o freezers cubiertos por la garantía.
- Reembolso por alquiler** si la reparación del producto cubierto toma más tiempo del prometido.
- 10% de descuento** del precio común de cualquier reparación no cubierta y piezas instaladas relacionadas.

Una vez que adquiera el contrato, sólo necesita realizar una llamada telefónica para programar el servicio. Puede llamar a cualquier hora del día o de la noche, o programar la cita del servicio por Internet.

El Contrato de protección maestra es una compra libre de riesgo. Si la cancela por cualquier razón durante el período de garantía del producto, le reintegraremos el dinero en su totalidad. O un reintegro prorrateado después de que expire la garantía del producto. ¡Adquiera el Contrato de protección maestra hoy mismo!

**Existen ciertas limitaciones y exclusiones.**

**Para precios e información adicional, llame al 1-800-827-6655.+**

**\* La cobertura en Canadá es diferente en algunos ítems. Para más detalles llame a Sears Canadá al 1-800-361-6665.**

**Servicio de instalación de Sears**

Para la instalación profesional garantizada de Sears de electrodomésticos, dispositivos para abrir puertas de garaje, calentadores de agua y otros aparatos importantes para el hogar, en los EE.UU. o Canadá llame al **1-800-4-MY-HOME®**.

## REGISTRO DEL PRODUCTO

En el espacio inferior, registre la fecha de compra, modelo y número de serie de su producto. Usted encontrará el modelo y número de serie impresos en una etiqueta de identificación localizada en el lado derecho adentro del refrigerador. Tenga estos datos a la mano cada vez que contacte a Sears para algo relacionado con su producto.

Modelo. \_\_\_\_\_

Fecha de Compra \_\_\_\_\_

No. de Serie \_\_\_\_\_

Guarde estas instrucciones y anexe su recibo de compra para futuras referencias.

## INFORMACIÓN IMPORTANTE SOBRE SEGURIDAD.

### PRECAUCIONES BÁSICAS DE SEGURIDAD.

Esta guía contiene muchos mensajes importantes sobre la seguridad. **Lea y obedezca** siempre todos mensajes de seguridad.



Este es el símbolo de Alerta de seguridad. Sirve para alertarle sobre la presencia de mensajes de seguridad que le informan acerca de peligros potenciales que pueden ocasionar la muerte o lesiones tanto a usted como a otras personas, o que pueden ocasionar daños al producto.

Todos los mensajes de seguridad estarán precedidos por un símbolo de alerta de seguridad y la señal de PELIGRO, ADVERTENCIA o CUIDADO. Estas palabras significan:



**PELIGRO**

Si no sigue las instrucciones, Ud. **sufrirá** lesiones graves o muerte.



**ADVERTENCIA**

Si no sigue las instrucciones, usted **puede** morir o sufrir lesiones graves.



**CUIDADO**

Indica una situación de riesgo inminente, que si no se evita, **puede** resultar en lesiones leves o moderadas, o sólo en daños al producto.

Todos los mensajes de seguridad le dirán el peligro potencial, le dirán cómo reducir las posibilidades de sufrir una lesión y lo que puede suceder si no se siguen las instrucciones.

## ⚠️ ADVERTENCIA

**Para reducir el riesgo de incendio, choque eléctrico o lesiones personales al utilizar el producto, las precauciones básicas de seguridad deben seguirse, incluyendo los siguientes.**

**Lea todas las instrucciones antes de utilizar este aparato.**

- NUNCA desconecte a su refrigerador jalando del cable de alimentación. Siempre agarre el enchufe firmemente y jálelo derecho hacia afuera del tomacorriente.
- Repare o reemplace inmediatamente todas las extensiones de alimentación eléctrica que se hayan desgastado o dañado de alguna manera. No utilice una extensión que tenga grietas o arañazos en algún lugar a lo largo del cable, o en el extremo donde está su enchufe o su tomacorriente.
- No modifique o extienda el cable de alimentación. Esto podría causar un corto circuito o un fuego.
- Cuando aparte su refrigerador de la pared, evite enrollar o dañar el cable de alimentación.

- NO almacene ni use gasolina u otros líquidos o vapores combustibles cerca de éste ni de cualquier otro aparato electrodoméstico.
- NO permita que los niños escalen, se paren o se cuelguen de las puertas o estantes del refrigerador. Ellos podrían dañar al refrigerador y lastimarse gravemente.
- Mantenga sus dedos alejados de los puntos de pellizco; por necesidad, el espacio entre las puertas y el gabinete es pequeño. Tenga cuidado al cerrar las puertas cuando hay niños en el área.
- Desconecte el refrigerador antes de limpiarlo o de hacer cualquier reparación.  
**NOTA:** Recomendamos encarecidamente que cualquier servicio de mantenimiento debe ser realizado por una persona calificada.

## GUARDE ESTAS INSTRUCCIONES

## ⚠️ ADVERTENCIA

• Antes de cambiar una bombilla quemada, desconecte el refrigerador o apague la energía eléctrica en el cortacircuito o en la caja de fusibles, para evitar un contacto con un filamento de alambre que tenga voltaje. (Es posible que una bombilla quemada se rompa al tratar de cambiarla.)

**NOTA:** Algunos modelos tienen un bombillo LED por esta razón solo un técnico calificado debería reparar la unidad.

**NOTA:** Poniendo uno o ambos controles en la posición de OFF (APAGADO) no elimina la electricidad del circuito de iluminación.

- Cuando haya terminado, reconecte la refrigeradora a la fuente de energía y ajuste los controles a la temperatura deseada. (Control del Termostato del Refrigerador y/o congelador, dependiendo del modelo)
- Este refrigerador debe ser instalado correctamente de acuerdo con **Atención Instrucciones para el Instalador** que se aseguraron con cinta adhesiva al frente del refrigerador.
- No toque las superficies frías del compartimento congelador con las manos mojadas o húmedas, después de que su refrigerador esté funcionando. La piel se puede adherir a las superficies extremadamente frías.

- En los refrigeradores que tienen fábricas automáticas de hielo, evite el contacto con las partes móviles del mecanismo expulsor y con el elemento calefactor que libera a los cubitos. Cuando el refrigerador esté conectado, NO ponga los dedos ni las manos en el mecanismo automático de hacer hielo.
- NO vuelva a congelar los alimentos que se hayan descongelado totalmente. El Departamento de Agricultura de Estados Unidos en su Boletín No. 69 de Hogar y Jardín dice:

...Usted puede volver a congelar sin peligro, los alimentos congelados que se hayan descongelado, siempre y cuando ellos todavía contengan cristales de hielo, o si continúan fríos — a menos de 40°F (4°C).

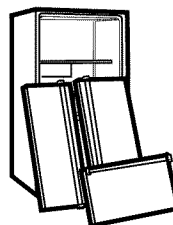
...La carne molida, aves o pescado que tengan un mal olor, o un mal color no deben volver a ser congelados y no deben ser consumidos. Los helados que se hayan descongelado deben ser desechados. Si el olor o el color de algún alimento es malo o dudoso, deséchelo. Puede ser peligroso consumir ese alimento.

Hasta un descongelamiento parcial seguido de volver a congelar los alimentos reduce su calidad, especialmente la de las frutas, hortalizas y alimentos preparados. La calidad de las carnes rojas se afecta menos que la de muchos otros alimentos. Para poder salvar lo más que se pueda de su calidad, consuma los alimentos que se hayan vuelto a congelar, tan pronto como sea posible.

## GUARDE ESTAS INSTRUCCIONES

### ⚠️ PELIGRO: LOS NIÑOS PUEDEN QUEDAR ATRAPADOS

Refrigeradores que no estén en operación o abandonados son peligrosos ... aun así cuando solo sea por unos días. Si necesita deshechar su refrigerador, por favor siga las instrucciones a la derecha para prevenir cualquier accidente (Niños se pueden quedar encerrados y asfixiarse).



#### ANTES DE TIRAR SU REFRIGERADOR O CONGELADOR VIEJO

- Retire las puertas.
- Deje los estantes en su sitio para que los niños no puedan meterse adentro fácilmente.

## CÓMO DESECHAR CFCs

Es posible que su refrigerador viejo tenga un sistema de refrigeración que utilizaba CFCs (clorofluorocarbonos). Se cree que los CFCs hacen daño al ozono de la estratósfera.

Si usted va a deshacerse de su refrigerador viejo, asegúrese de que el refrigerante CFC sea retirado por una persona de mantenimiento calificada. Si libera intencionalmente el refrigerante CFC, Ud. puede estar sujeto a multas o prisión, según lo previsto en la legislación ambiental vigente.

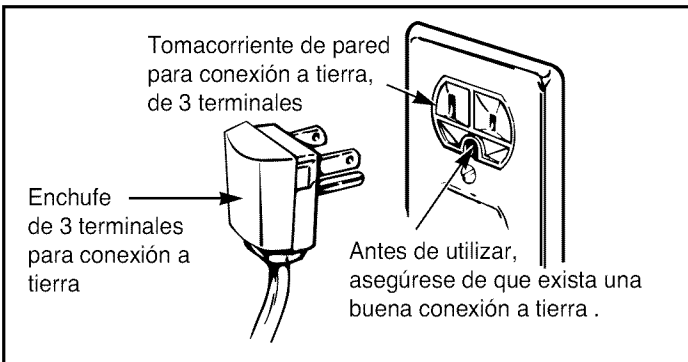
## REQUERIMIENTOS DE CONEXIÓN A TIERRA

**IMPORTANTE:** Favor de leer con cuidado.  
**CONEXIÓN ELÉCTRICA**

### ⚠ **ADVERTENCIA**

#### **Riesgo de Choque Eléctrico**

**PARA LA SEGURIDAD PERSONAL**, este aparato debe estar conectado a tierra correctamente. Haga revisar el circuito y el tomacorriente de pared por un electricista calificado, para asegurarse de que el tomacorriente este conectado a tierra correctamente.



### **MÉTODO DE CONEXIÓN A TIERRA RECOMENDADO**

Su refrigerador debe estar siempre enchufado en su propio tomacorriente, que debe estar conectado correctamente a tierra. El circuito eléctrico debe ser de 115 voltios AC, 60 Hz, con fusibles de 15 A 20 amperios. Esto brinda el mejor desempeño y evita que se produzcan sobrecargas en los circuitos eléctricos de la casa, los cuales podrían ocasionar riesgos de incendio debido a un sobrecalentamiento de los cables. Se recomienda proveer un circuito separado, sólo para este producto. Use un receptáculo que no pueda ser desconectado por medio de un interruptor de pared o de cadena. No utilice un cable de extensión. Cuando se encuentre un tomacorriente de pared de dos terminales, es su responsabilidad y obligación personal hacerlo reemplazar con un tomacorriente de pared que éste correctamente conectado a tierra.

**Bajo ninguna circunstancia se debe cortar ni quitar el tercer terminada (tierra) del cable de alimentación.**

**No utilice un adaptador de corriente.**

**NOTA:** Atención: Antes de instalar, limpiar o cambiar el bombillo de la unidad, desconecte el refrigerador de la fuente de electricidad.

**NOTA:** Algunos modelos tienen un bombillo LED por esta razón solo un técnico calificado debería reparar la unidad.

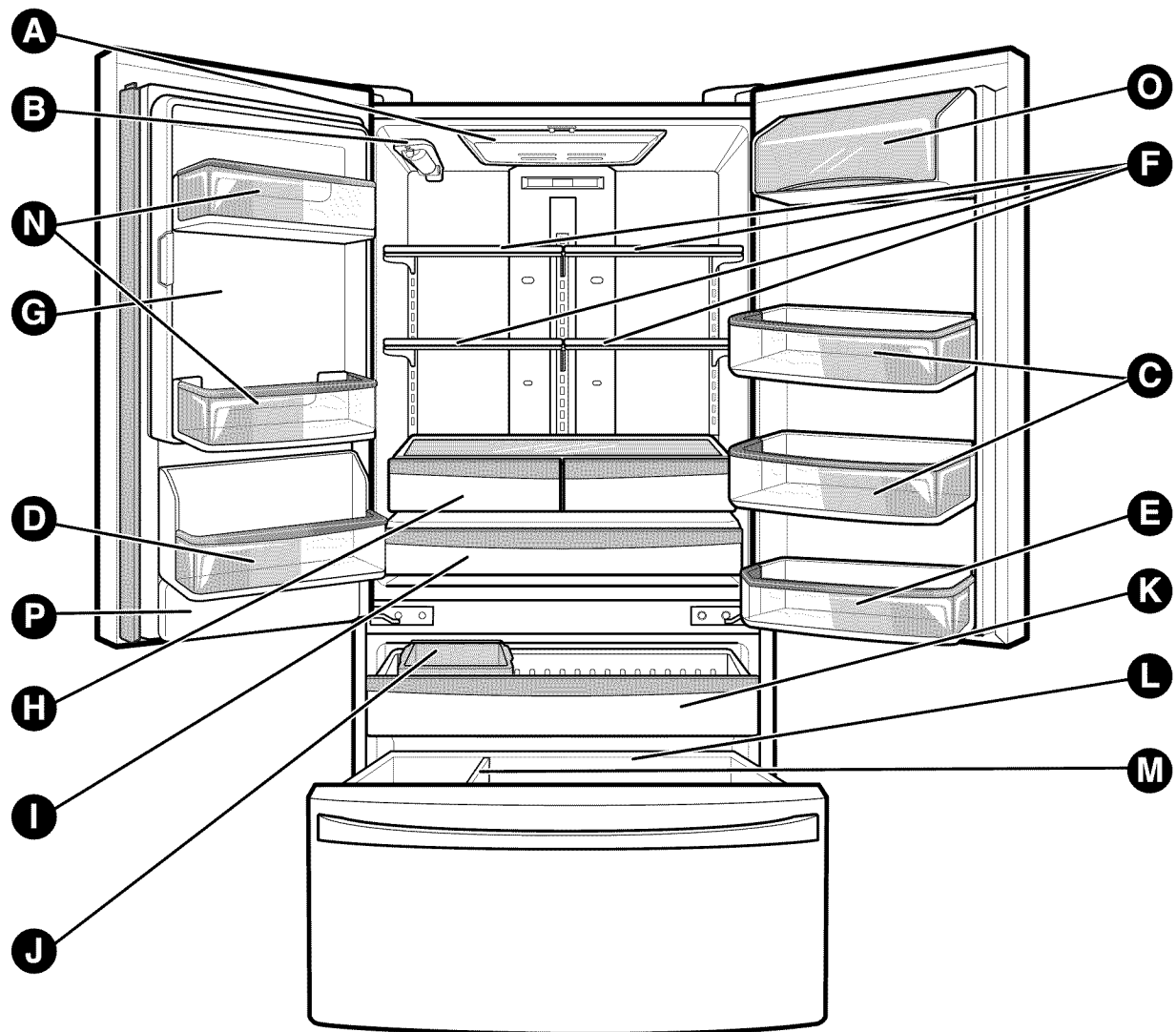
Cuando haya terminado, reconecte la refrigeradora a la fuente de energía y ajuste los controles a la temperatura deseada. (Control del Termostato del Refrigerador y/o congelador, dependiendo del modelo)

### **USO DE CABLES DE EXTENSIÓN**

**Debido a potenciales riesgos de seguridad, nosotros le recomendamos encarecidamente que no utilice cables de extensión.** Sin embargo, si usted todavía elige utilizar un cable de extensión, es absolutamente necesario que utilice un cable de extensión que se encuentre en la lista UL (Estados Unidos), de 3 conductores con conexión a tierra, apropiado para aparatos electrodomésticos, que tenga un enchufe y un tomacorriente para conexión a tierra, y que la capacidad eléctrica del cable sea de 15 amperios (mínimo) y 120 voltios.

El uso de un cable de extensión aumentará el espacio libre necesario en la parte de atrás de su refrigerador.

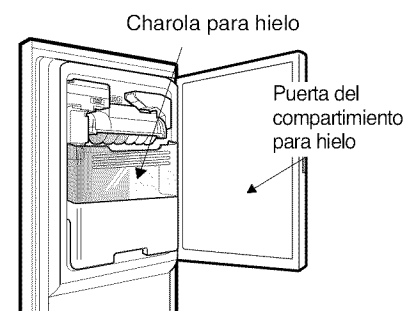
## PARTES Y CARACTERÍSTICAS



Use esta sección para familiarizarse más con las partes y características.

**NOTA:** Esta guía cubre varios modelos diferentes. Es posible que el refrigerador que usted ha comprado tenga algunas o todas las partes que aparecen en la siguiente lista. Es posible que la posición de algunas de las características que se muestran a continuación no coincida con la de su modelo.

- A** Luz de refrigerador (p. 78)
- B** Filtro (Interno) (p. 74)
- C** Depósito con puertas modulares (p. 72)
- D** Depósito para puerta fijo
- E** Depósito para puerta fijo
- F** Anaqueles del refrigerador (p. 70)
- G** Heladera (pág. 66)  
(Máquina de hielo y charola)
- H** Cajones super frescos con  
compartimientos inclinables (p. 71)
- I** Compartimento pantry  
de temperatura controlada (p. 71)
- J** Depósito de hielo extra (p. 72)
- K** Cajón extraíble (p. 73)
- L** Durabase (p. 73)
- M** Divisor de la durabase (p. 73)
- N** Charolas de la puerta
- O** Compartimento de Lácteos (p. 72)
- P** Cubierta del depósito de agua.



## INSTALACIÓN DEL REFRIGERADOR

### **ADVERTENCIA**

#### **Peligro por Exceso de Peso**

Use dos o más personas para mover e instalar el refrigerador. Si no lo hace así, puede resultar en lesión de la espalda o de otro tipo.

### **DESEMPACANDO EL REFRIGERADOR**

Antes de usarlo, retire la cinta y cualesquier etiquetas temporales de su refrigerador. No retire ninguna de las etiquetas de aviso, la etiqueta del modelo y número de serie o la hoja técnica situada bajo el frente del frigorífico, detrás de la tapa de la base.

Para quitar cualquier cinta o pegamento remanente, frote rápido el área con su dedo. El residuo de cinta o pegamento puede ser removido fácilmente frotando una pequeña cantidad de jabón líquido para vajillas sobre el adhesivo con sus dedos. Enjuague con agua tibia y seque.

No use instrumentos afilados, alcohol, ni fluidos inflamables o limpiadores abrasivos para remover la cinta o pegamento. Estos productos pueden dañar la superficie de su refrigerador. Para más información, vea la sección **Instrucciones de Seguridad Importantes**.

Los estantes del refrigerador están instalados en la posición para transporte.

Favor de reinstalar los anaqueles de acuerdo a sus necesidades individuales de almacenamiento.

### **ADVERTENCIA**

#### **Cuando Mueva su Refrigerador:**

Su refrigerador es pesado. Cuando mueva el refrigerador para su limpieza o servicio, asegúrese de proteger el piso. Mantenga siempre de pie el refrigerador al moverlo. No menee ni haga caminar al refrigerador cuando trate de moverlo, puesto que podría ocurrir daño al piso.

### **ADVERTENCIA**



#### **Peligro de Explosión**

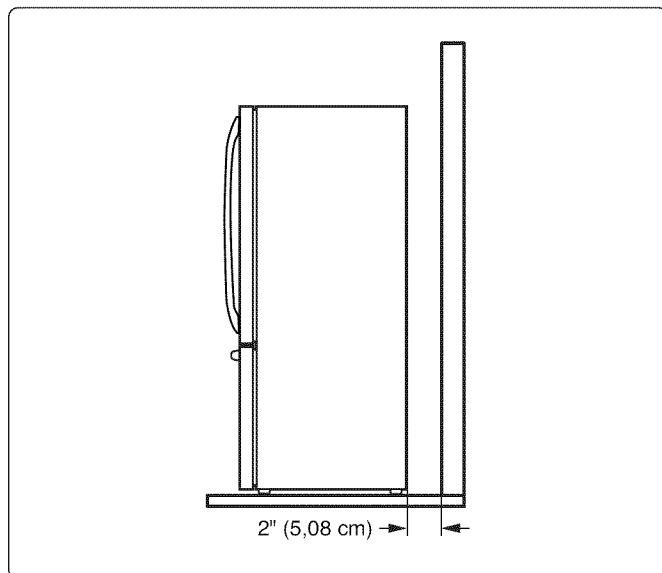
Mantenga los materiales y vapores inflamables, tales como gasolina, lejos del refrigerador. Una falla en hacer esto, puede resultar en muerte, explosión o incendio.

- Para reducir el riesgo de una descarga eléctrica, no instale el refrigerador en un área que este húmeda o mojada.
  - Seleccione un lugar donde la fábrica de hielo pueda ser conectada con facilidad a una línea de agua.
- ▲ CUIDADO:** Evite colocar la unidad cerca de fuentes de calor, luz directa del sol o humedad.

# INSTALACIÓN DEL REFRIGERADOR

## INSTALACIÓN

- Para minimizar el ruido y la vibración, el refrigerador tiene que ser instalado solo sobre un piso sólido.
  - No recomendamos instalar la unidad sobre alfombras u otras superficies.
  - Nunca instale el refrigerador sobre una plataforma o alguna estructura que no tenga el soporte adecuado.
1. Para evitar la vibración la unidad debe estar nivelada. Si se requiere, ajuste los tornillos de nivelación para compensar el desnivel del piso. El frente debería ser ligeramente más alto que la parte posterior para ayudar a cerrar la puerta. Los tornillos de nivelación pueden ser girados con facilidad inclinando ligeramente el gabinete. Gire los tornillos de nivelación en el sentido de las manecillas del reloj (  ) para elevar la unidad, en el sentido contrario al de las manecillas del reloj (  ) para bajarlo.  
(Véase, Nivelación y alineación: en la página 63.)
  2. Instale este aparato en un área donde la temperatura esté entre 55°F (13°C) y 110°F (43°C). Si la temperatura alrededor del aparato es demasiado baja o alta, la capacidad para enfriar puede ser afectada adversamente.
  3. Si la distancia entre la unidad y las paredes es menos de la recomendada, puede disminuir la eficiencia del enfriamiento dentro de la unidad e incrementar el consumo de energía. La unidad debe tener al frente un espacio libre de por lo menos 24 pulgadas (61cm) para poder abrir las puertas.



## ANTES DEL USO

1. Limpie a fondo su refrigerador y retire todo el polvo acumulado durante su transporte.
2. Instale los accesorios tales como bandeja para cubos de hielo, cajones, estantes, etc., en sus lugares apropiados. Estos vienen empacados juntos para evitar posible daño durante el transporte.
3. Permita que su refrigerador funcione por al menos 2 ó 3 horas antes de colocar alimentos en él. Verifique el flujo de aire frío en el compartimiento del congelador para asegurar un enfriamiento apropiado.



# INSTALACIÓN DEL REFRIGERADOR

**NOTA:** Es recomendable desmontar siempre las puertas cuando sea necesario desplazar el refrigerador a través de un hueco estrecho. Si fuese necesario desmontar los tiradores, siga las direcciones indicadas a continuación.

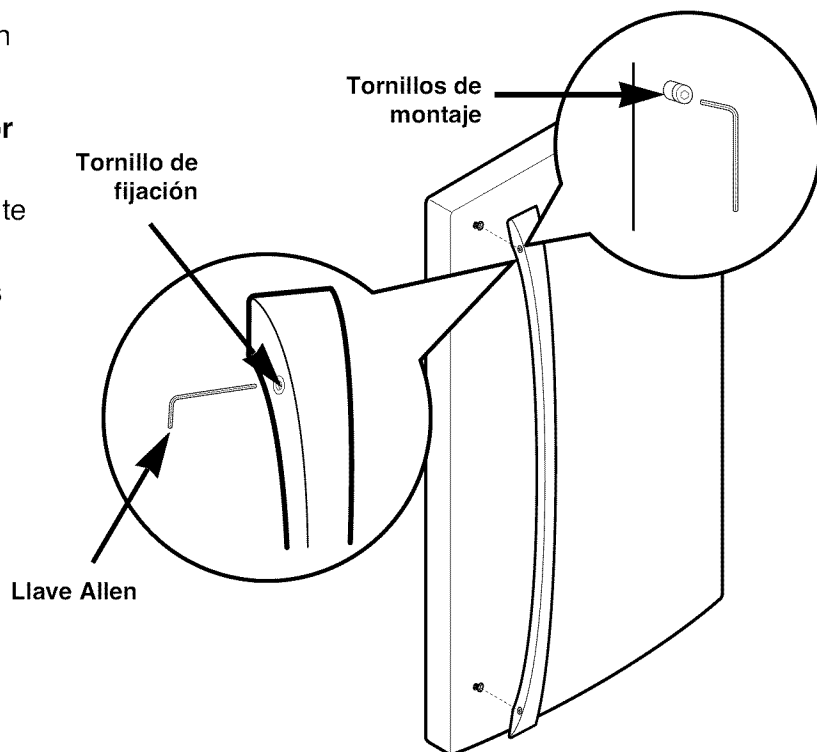
## CÓMO QUITAR LAS JALADERAS DE LA PUERTA

**NOTA:** La apariencia de la jaladera puede ser diferente a las que aparecen en las figuras de esta página.

### 1. Para quitar la jaladera del refrigerador

- Afloje los tornillos con ayuda de una llave Allen de 3/32" (2,5mm) y desmonte el tirador.

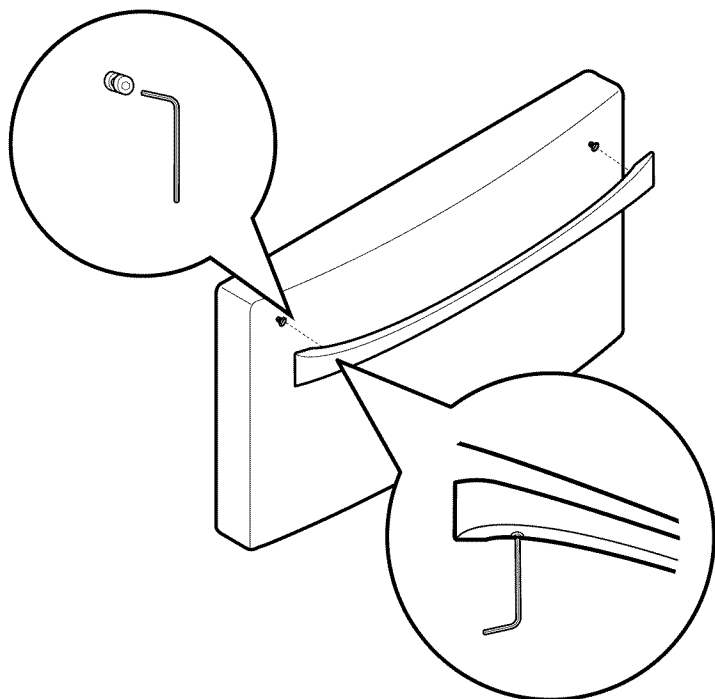
**NOTA:** Para ajustar o retirar los tornillos de montaje de la manija utilice una llave Allen de 1/4" (6,4mm).



### 2. Para quitar la jaladera del Cajón del congelador

- Afloje los tornillos situados en la parte inferior del tirador con ayuda de una llave Allen de 1/8" (3,1mm) y desmóntelo.

**NOTA:** Para ajustar o retirar los tornillos de montaje de la manija utilice una llave Allen de 1/4" (6,4mm).



# INSTALACIÓN DEL REFRIGERADOR

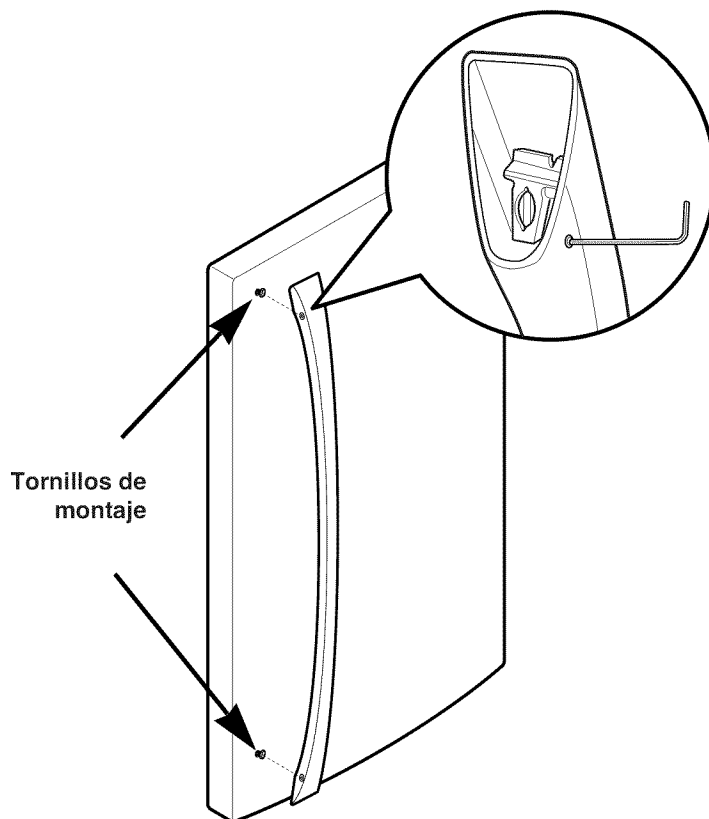
## CÓMO VOLVER A INSTALAR LAS JALADERAS DE LA PUERTA

**NOTA:** La apariencia de la jaladera puede ser diferente a las que aparecen en las figuras de esta página.

### 1. Para volver a instalar la jaladera de la puerta del refrigerador

- Coloque el asa de la puerta, situándola encima de las piezas de fijación y apriete los tornillos con una llave Allen de 3/32" (2,5mm).

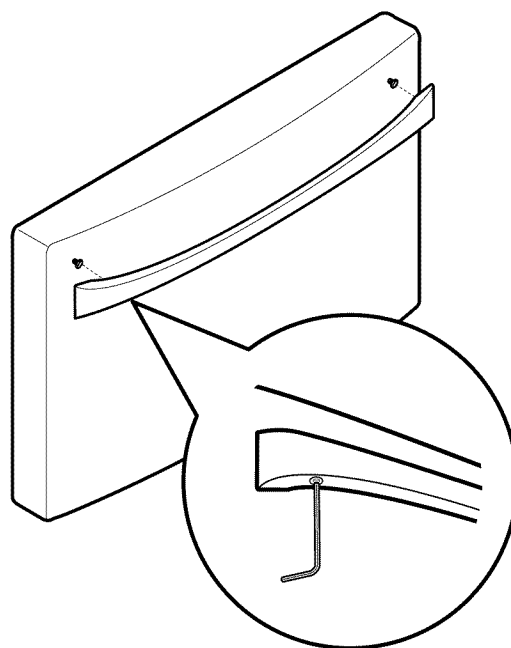
**NOTA:** Para ajustar o retirar los tornillos de montaje de la manija utilice una llave Allen de 1/4" (6,4mm).



### 2. Para volver a instalar la jaladera de la puerta del cajón del congelador

- Coloque el asa en la puerta, situándolo por encima de las piezas de fijación y apriete los tornillos de la parte inferior del asa con un llave Allen de 1/8" (3,1 mm).

**NOTA:** Para ajustar o retirar los tornillos de montaje de la manija utilice una llave Allen de 1/4" (6,4mm).



## **⚠ ADVERTENCIA**

Cuando el cliente retira el tirador o lo ensambla a la nevera, por favor, tenga cuidado con lo siguiente.

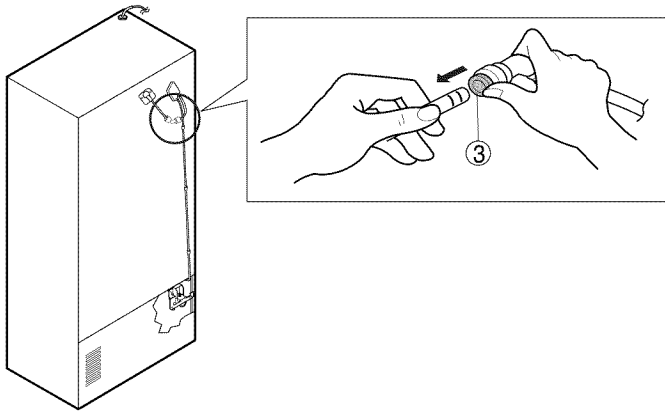
- Sostenga el tirador con su propia mano a fin de asegurarse de no dejarlo caer en el suelo o de pisarlo cuando lo retire de una nevera.
- No balance el tirador en dirección de las personas o animales tras haberlo retirado.
- Introduzca el orificio del soporte del tirador exactamente en el perno tapón de la puerta, y ensamble el conjunto de tornillos para fijar el tirador.
- Compruebe si existe un espacio entre la puerta y el tirador tras fijar este último.

# INSTALACIÓN DEL REFRIGERADOR

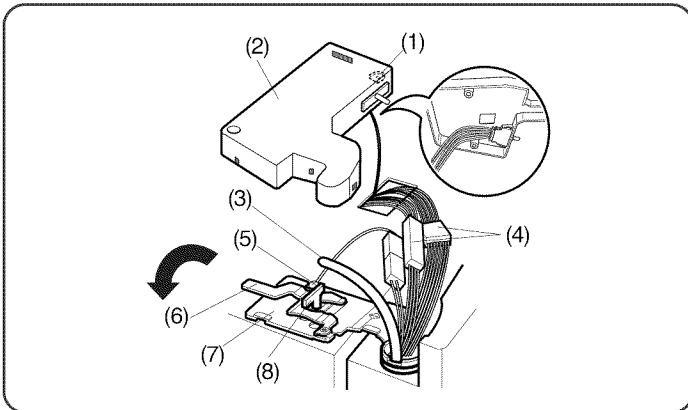
## CÓMO QUITAR Y VOLVER A COLOCAR LAS PUERTAS DEL REFRIGERADOR

### Para remover la puerta izquierda del refrigerador:

En la parte trasera del frigorífico, tire del anillo de fijación (véase figura 3 a continuación) y suelte el tubo del agua en la dirección de la flecha.



**▲ CUIDADO:** Antes de empezar, quite la comida y las bandejas de las puertas.



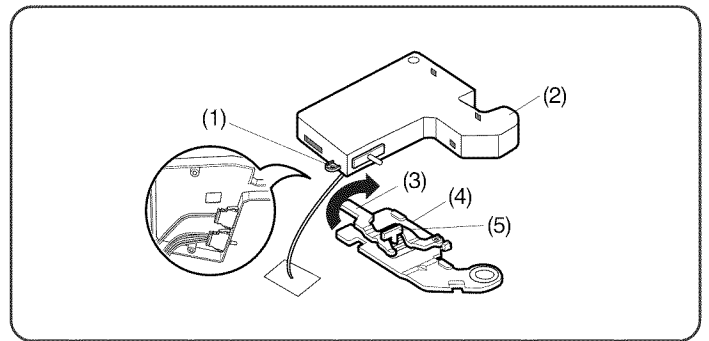
1. Abra la puerta. Remueva el tornillo de la cubierta del la bisagra superior (1).
2. Utilice un desatornillador de cabeza plana para palanquear hacia atrás los ganchos (no se muestran) en la superficie inferior delantera de la cubierta (2). Tire hacia arriba la cubierta (2).
3. Quite la cubierta. Hale el tubo (3).
4. Desconecte los todos los arneses de cables (4).
5. Remueva el tornillo de "Tierra" (5).

6. Gire la palanca de al bisagra (6) en el sentido contrario a las agujas del reloj. Levante la bisagra superior (7) liberándola del cierre de la palanca de la bisagra (8).

**▲ CUIDADO:** Al levantar la bisagra y liberándola del cierre, tenga cuidado que la puerta no se caiga hacia adelante .

7. Levante la puerta para liberarla del perno de la bisagra del medio.
8. Coloque la puerta, con la parte interna mirando hacia arriba, en una superficie lisa para evitar rallarla.

### Para remover la puerta derecha del refrigerador:



1. Abra la puerta. Remueva el tornillo de la cubierta del la bisagra superior (1). Levante la cubierta (2).
2. Remueva la cubierta.
3. Gire la palanca de la bisagra (3) en el sentido de las agujas del reloj. Levante la bisagra superior (4) liberándola del cierre de la palanca de la bisagra (5).

**▲ CUIDADO:** Al levantar la bisagra y liberándola del cierre, tenga cuidado que la puerta no se caiga hacia adelante .

## ⚠ ADVERTENCIA

### Riesgo de Choque Eléctrico

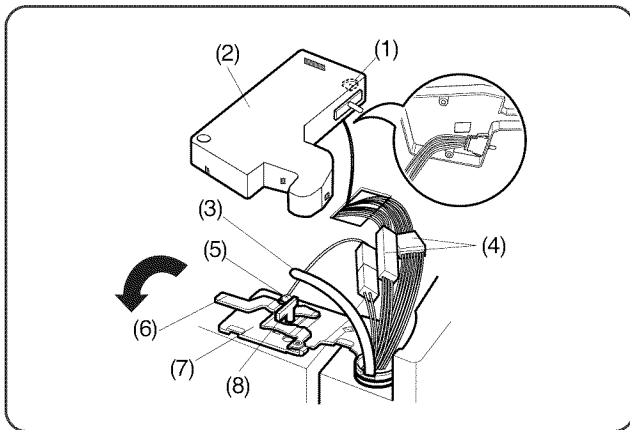
- Desconecte el suministro eléctrico al refrigerador antes de instalar. El no hacerlo puede dar como resultado una lesión seria o la muerte.
- No coloque las manos, los pies u otros objetos en las salidas de aire, la tapa de la base o la parte inferior del frigorífico. Usted podría lesionarse o recibir un choque eléctrico .
- Tenga cuidado durante el trabajo con las bisagras, la tapa de la base y los topes. Podría lesionarse .

# INSTALACIÓN DEL REFRIGERADOR

## Como volver a colocar las puertas del refrigerador

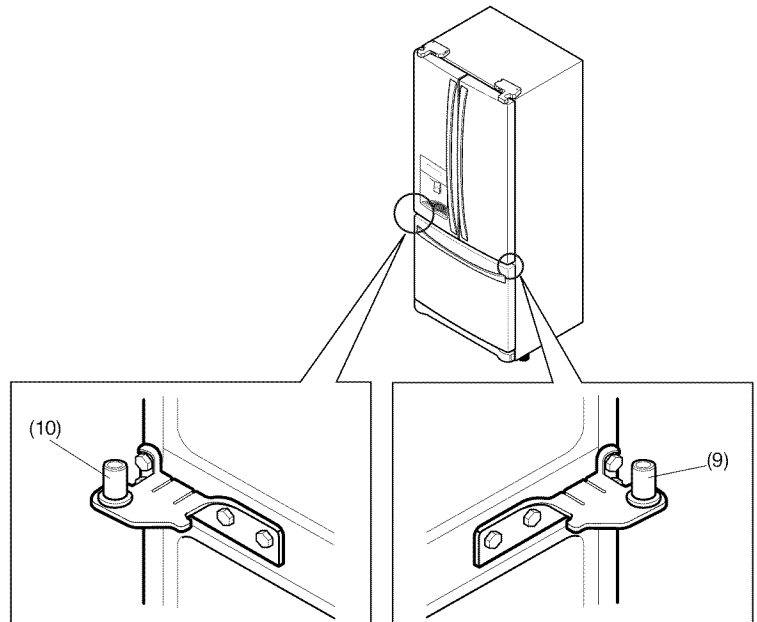
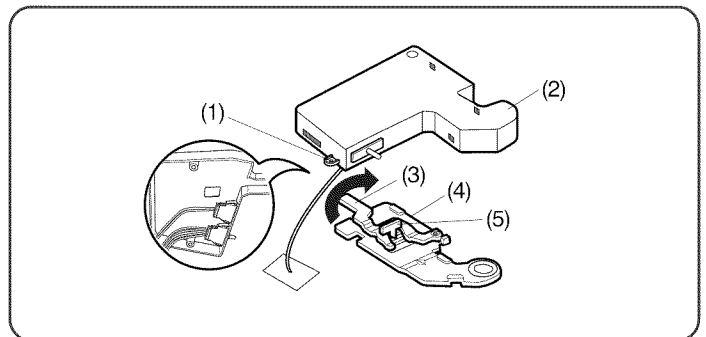
### ► Puerta izquierda

1. Baj e la puerta sobre el pasador de la bisagra del medio (10).
2. Coloque la bisagra superior (7) sobre la retención de la palanca de la bisagra (8) hasta que quede en su puesto. Haga girar la palanca en la dirección de las manecillas del reloj para asegurar la bisagra (6).
3. Instale el tornillo de tierra (5) y conecte los dos arneses (4)
4. Presione el tubo de la línea del agua dentro del orificio de la montura superior y colóquelo en la placa trasera.
5. Inserte la manguera de agua (3) en la tubería hasta que sólo se vea la marca graduada. (Inserte el tubo completamente, 5/8" (15 mm)).
6. Enganche la lengüeta de la cubierta del lado de la puerta (2) bajo el filo de la abertura para los alambres, en la parte superior del gabinete. Coloque la cubierta en su puesto. Inserte y ajuste el tornillo de la cubierta (1).

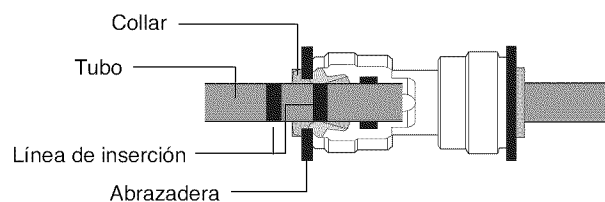


### ► Puerta derecha

1. Baj e la puerta sobre el pasador de la bisagra del medio (9).
2. Coloque la bisagra superior (4) sobre la retención de la palanca de la bisagra (5) hasta que quede en su puesto. Haga girar la palanca en la dirección contraria a las manecillas del reloj para asegurar la bisagra (3).
3. Enganche la lengüeta de la cubierta del lado de la puerta bajo el filo de la abertura para los alambres, en la parte superior del gabinete. Coloque la cubierta (2) en su puesto. Inserte y ajuste el tornillo de la cubierta (1).



## ⚠ CUIDADO



Tras introducirlo, tire del tubo hasta asegurarlo de forma segura y ensamblar el clip.

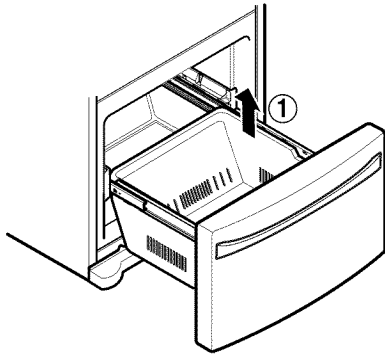
## INSTALACIÓN DEL REFRIGERADOR

### CÓMO DESMONTAR E INSTALAR EL CAJÓN DE LA HELADERA

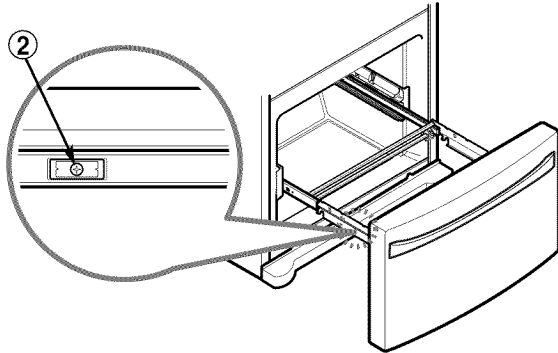
**IMPORTANTE:** Para evitar una posible lesión, daño al producto o a la propiedad, Ud. necesitará dos personas para ejecutar las instrucciones siguientes

#### 1. Extraiga el Cajón de la Heladera

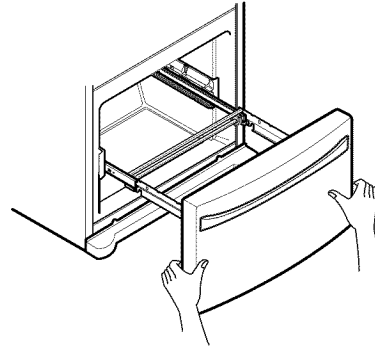
- Jale el cajón abierto al máximo. Retire la canasta inferior ① levantándola del sistema de rieles.



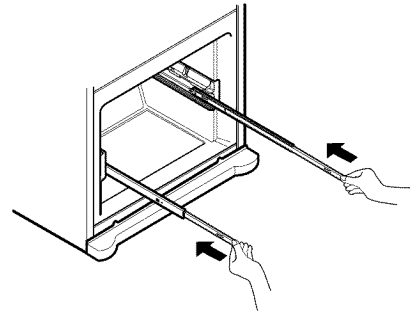
- Retire los tornillos ② de ambos lados de la guía.



- Con ambas manos, sujete los dos lados de la puerta y tire hacia arriba para separarla .



- ▲ **CUIDADO:** Cuando Ud. quite el cajón, no sostenga la agarradera. Si se sale, podría causar lesiones personales.



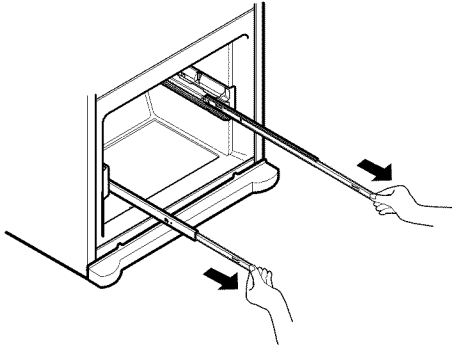
- Con las dos manos, sujete la barra central y empújela hacia dentro de forma que ambos rieles se deslicen de forma simultánea.

## INSTALACIÓN DEL REFRIGERADOR

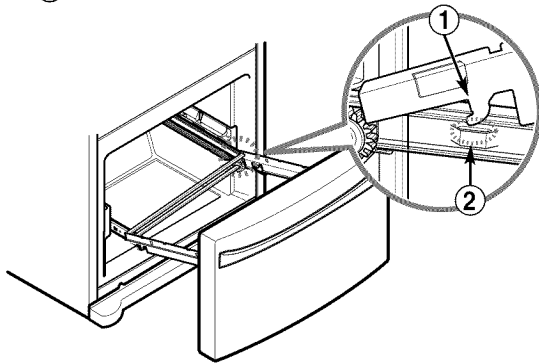
### CÓMO DESMONTAR E INSTALAR EL CAJÓN DE LA HELADERA (cont.)

#### 2. Instalación del Cajón de la Heladera

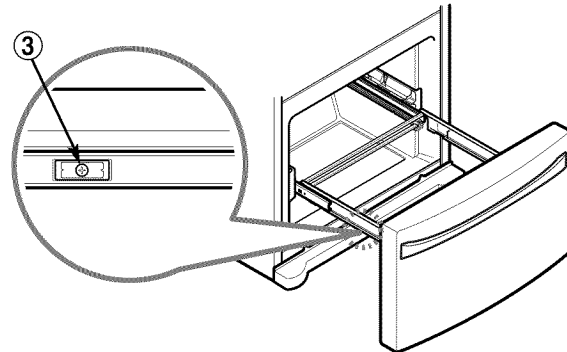
- Con ambas manos, tire hacia afuera cada riel de forma simultánea hasta que ambos rieles se hayan extendido en su totalidad.



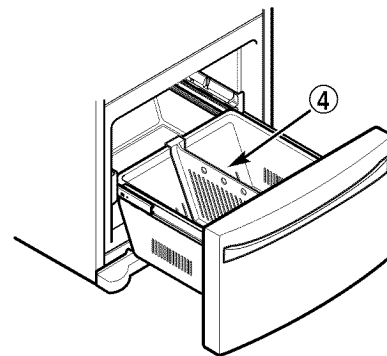
- Monte el conector de la puerta ① a la percha de la guía ②.



- Empuje hacia abajo y monte el conector de la puerta apretando los tornillos ③.



- Con el cajón extraído en toda su extensión, inserte la canasta inferior ④ en el ensamble del riel hasta que no se mueva hacia adelante.



▲ **ADVERTENCIA:** Si se retira el divisor Durabase, hay espacio suficiente para que los niños o mascotas se introduzcan en su interior.

▲ **ADVERTENCIA:** Para evitar que los niños o mascotas puedan quedar atrapados o sufrir asfixia, NO permita que toquen o se acerquen al cajón del congelador.

▲ **ADVERTENCIA:** NO se pare ni se sientan en cajón del congelado.

# INSTALACIÓN DEL REFRIGERADOR

## NIVELACIÓN Y ALINEACIÓN DE LA PUERTA

### Nivelación

Tras la instalación, asegure la estabilidad del producto con las patas de nivelado.

Su refrigerador tiene dos tornillos de nivelación al frente -uno a la derecha y uno a la izquierda. Si su refrigerador parece inestable o si quiere que las puertas cierren más fácilmente, ajuste la inclinación del refrigerador usando las siguientes instrucciones:

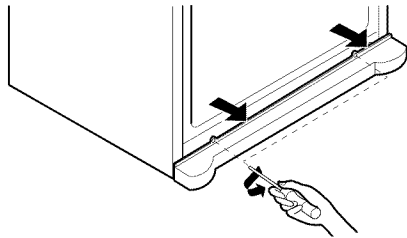
1. Conecte el cable de alimentación del refrigerador a una entrada de tres espigas que esté conectada a tierra. Mueva el refrigerador a su posición final.

#### Para remover la cubierta de la base:

- 1) Abra la gaveta del refrigerador (La gaveta no se muestra por claridad)
- 2) Una vez que el cajón está abierto y no hay suficiente espacio libre, saque los tornillos en la parte superior de la cubierta.

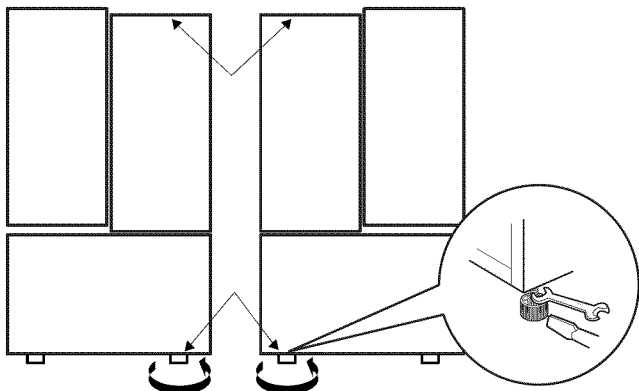
#### Para reemplazar la cubierta de la base:

- Coloque la cubierta en su posición, encaje y apriete los tornillos.



2. Gire el tornillo de nivelación en el sentido de las manecillas del reloj para elevar ese lado del refrigerador o en el sentido contrario a las manecillas del reloj para bajarlo. Puede requerir varias vueltas de los tornillos de nivelación para ajustar la inclinación del refrigerador.

**NOTA:** Hacer que alguien empuje contra la parte superior del refrigerador quita algo del peso aplicado a los tornillos de nivelación. Esto hace más fácil ajustarlos.



3. Abra ambas puertas otra vez, para asegurarse que cierren fácilmente. Si no, incline el refrigerador un poco más hacia atrás girando ambos tornillos en el sentido de las manecillas del reloj. Puede requerir varias vueltas más, y usted debería hacer girar la misma cantidad a ambos tornillos niveladores.

4. Reajuste si fuera necesario.

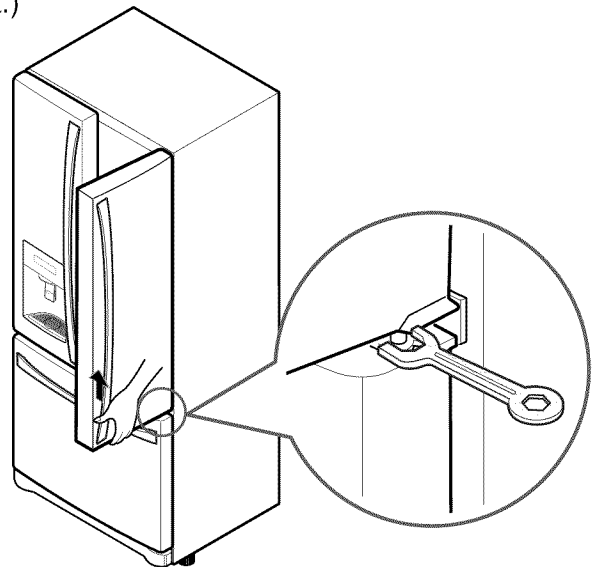
5. Reemplazar la cubierta de la base

**NOTA:** Su nuevo refrigerador está diseñado de una forma única con dos puertas para alimentos frescos. Cualquiera de las puertas puede ser abierta o cerrada independientemente de la otra. Debe ejercer una ligera presión sobre la puerta para lograr cerrarla completamente.

### Alineación de la Puerta

Si el espacio entre sus puertas es desigual, siga las instrucciones a continuación para alinear las puertas:

Utilice la llave (incluida con el Guía para el Uso y Cuidado) para ajustar el tuerca de la bisagra de la puerta y así graduar su altura. (En sentido antihorario para subir, o sentido horario para bajar la altura.)



Nivele la unidad usando una llave de 11/16 inch (18mm) o un destornillador plano. Gire los pies de la unidad (En sentido antihorario) para elevarla o (Sentido horario) para bajarla.

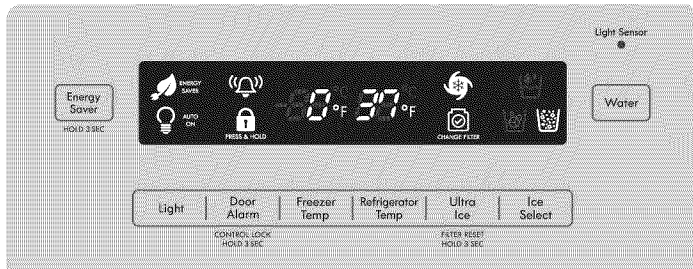
**NOTA:** El frente del refrigerador debe estar levemente inclinado hacia atrás.

# USANDO SU REFRIGERADOR

## CONFIGURACIÓN DE CONTROLES

### Temperatura

- El control del frigorífico está preestablecido en 37° F (3° C) y el del congelador en 0° F (-18° C). Estos son los ajustes de temperatura recomendados para un uso y condiciones normales. Espere 24 horas para que el frigorífico y el congelador alcancen éstas temperaturas.

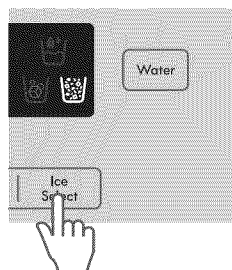
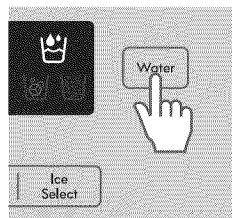


- **El rango de control de temperatura del frigorífico está entre 33°F y 46°F (1°C y 8°C).** Cuanto menor sea el número ajustado, más frío estará el compartimento del frigorífico.
- **El rango de control de temperatura del congelador está entre 6°F y 8°F (-21°C y -13°C).** Cuanto menor sea el número de ajuste, la más fría del congelador se convertirá.

**NOTA:** al cambiar los ajustes de control, espere 24 horas antes de realizar ajustes adicionales. Tras 24 horas, ajuste las temperaturas que desee en los compartimentos.

### Dispensación


- Al pulsar el botón de Agua, se iluminará el icono de dicha función.
- Cuando presiona el botón de selección de hielo, se encenderá el icono de los cubos de hielo o del hielo picado.
- Pueden producirse algún goteo durante la dispensación. Se recomienda mantener el vaso debajo del dispensador unos segundos tras la dispensación, para recoger todas las gotas.




**⚠ CUIDADO:** Elimine la humedad antes de utilizar el botón de pantalla, ya que su funcionamiento está basado en un método de detección de presión que puede ralentizar o activar otros botones en presencia de humedad en la superficie del botón.

**⚠ ADVERTENCIA:** El dispensador no funcionará si se deja abierta alguna puerta.

### Ultra Ice

- Cuando toque el botón Ultra Ice, se iluminará el gráfico [  ] en el display y permanecerá encendido durante 24 horas. Se apagará automáticamente después de 24 horas. O puede cesar manual mente la función presionando el botón una vez más.
- Esta función incrementa las capacidades de congelación y elaboración de hielo.

### Puesta a cero del filtro

- o Cuando el indicador del filtro de agua (  ) se ilumina, es necesario cambiar el filtro de agua. Tras cambiar el filtro, mantenga pulsado el botón Ultra Ice (puesta a cero del filtro) durante 3 segundos para apagar el indicador luminoso. Deberá cambiar el filtro del agua cada 6 meses aproximadamente.

### Luz / Sensor de luz


- Si se selecciona el modo "Auto", la luz del dispensador se encenderá y apagará automáticamente, según la intensidad de la luz en la habitación detectada por el sensor de luz.

### Ahorro de Energía (Energy Saver)




- Mantenga pulsado durante un mínimo de tres segundos el botón de ahorro de energía (Energy Saver) para activar o desactivar la función.
- Esta función desactiva los calentadores utilizados para reducir el exceso de humedad interior y se recomienda para un mayor ahorro de energía.
- También se recomienda la función de ahorro de energía para períodos de tiempo en que las puertas permanezcan abiertas, por ejemplo, en vacaciones.



## Alarma de puerta

- Cuando el frigorífico se conecta a la alimentación eléctrica, la alarma de la puerta se pone inicialmente en "ON" (ON) y el display de la alarma mostrará "ON" (ON). Cuando pulse el botón , el display cambiará a "OFF" (OFF) y se desactivará la función de alarma de la puerta.
- Cuando la puerta del refrigerador o el congelador permanezca abierta más de 60 segundos, el tono de alarma le indicará que la puerta permanece abierta.
- Cuando cierre la puerta, dejará de sonar la alarma.

## Bloquear

- Al conectar inicialmente el frigorífico al suministro eléctrico, la función Bloqueo se apagará.
- Si desea activar la función Bloqueo a fin de bloquear otros botones, mantenga presionado el botón  durante 3 segundos o más. La señal  se mostrará, y la función Bloqueo estará habilitada.
- Con la función de bloqueo activada, no funciona ningún otro botón. También se desactiva el pulsador del dispensador.
- Mantenga presionado el botón  durante 3 segundos o más para deshabilitar la función Bloqueo.

## Modo de temperatura (°F<->°C)

- Si desea convertir °F a °C o viceversa, mantenga pulsados los botones  y  al mismo tiempo durante un mínimo de 5 segundos.

## ⚠ CUIDADO

### Modo de demostración (almacenes minoristas)

El modo de demostración desactiva las secciones de refrigerador y el congelador para ahorrar energía mientras el aparato permanece expuesto en un comercio.

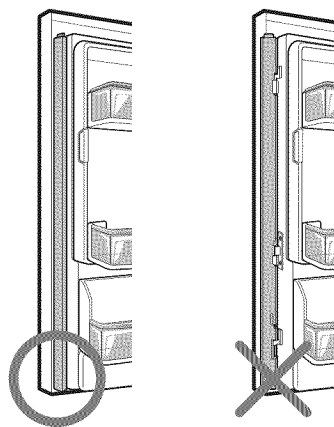
#### 1. Para activarlo:

Con la puerta del refrigerador abierta, mantenga pulsados los botones Refrigerator Temp y Ultra Ice durante 5 segundos. El panel de control emitirá una señal acústica para confirmar que el modo de demostración está activo.

#### 2. Para desactivarlo:

Con la puerta del refrigerador abierta, mantenga pulsados los botones Refrigerator Temp y Ultra Ice durante 5 segundos. El panel de control emitirá una señal acústica para confirmar que el modo de demostración se ha desactivado.

## Tenga cuidado al cerrar la puerta



## ⚠ CUIDADO:

Para reducir el riesgo de rasguños y roturas del parteluz de la puerta, asegúrese de mantenerlo siempre plegado.

Si se acumula humedad en el parteluz de la puerta del refrigerador, apague el modo de ahorro de energía hasta que se solucione el problema.

# USANDO SU REFRIGERADOR

## CHAROLA PARA HIELO EN LA PUERTA

### ▲ CUIDADO

Mantenga las manos y las herramientas aparte de la puerta del compartimiento para hielo y la rampa del dispensador. Se pueden producir daños o lesiones.

La máquina de hielo dejará de producir hielo cuando la charola para hielo esté llena. Si necesita más hielo, vacíe el recipiente del hielo en el recipiente de hielo extra del compartimiento del congelador.

Durante el uso, el hielo puede perder uniformidad y hacer que se produzca una lectura incorrecta de la cantidad de cubitos de hielo y reducirse la producción de hielo.

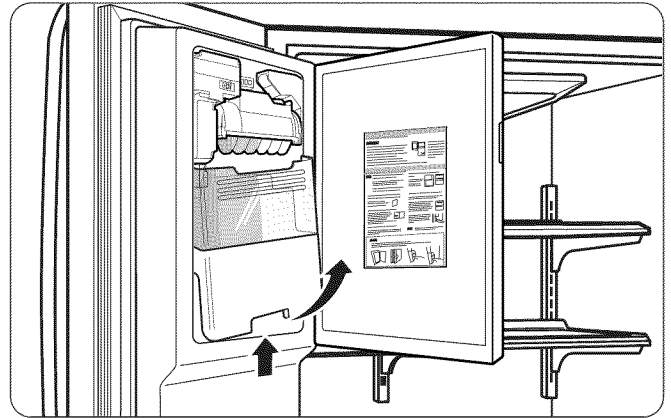
Agite el recipiente del hielo para nivelar el hielo en su interior y reducir el problema.

**NOTA:** Si guarda latas u otros objetos en el recipiente del hielo dañará la máquina de hielo.

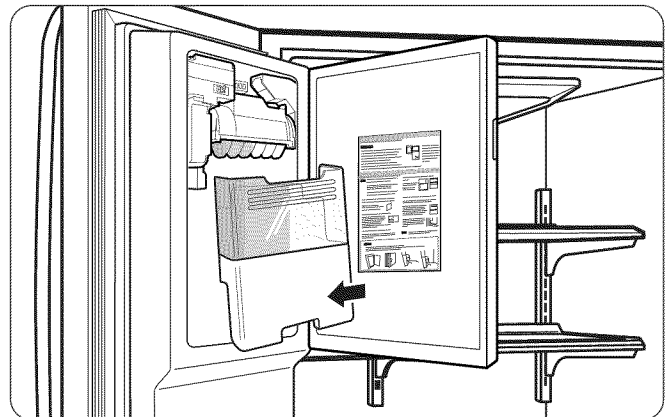
Mantenga bien cerrada la puerta del compartimiento para hielo. Si no se cierra bien la puerta del compartimiento para hielo, el aire frío en la charola para hielo congelará la comida en el compartimiento del refrigerador. Esto también puede provocar que la máquina para hielo no produzca hielo.

**NOTA:** Si el interruptor de encendido de la cubitera está en la posición Off (O) durante mucho tiempo, el compartimiento de hielo se calentará gradualmente hasta la temperatura del compartimiento del frigorífico. Para evitar que los cubitos de hielo se derritan y goteen desde el dispensador, vacíe SIEMPRE el depósito de hielo cuando se vaya a apagar la cubitera durante un largo tiempo.

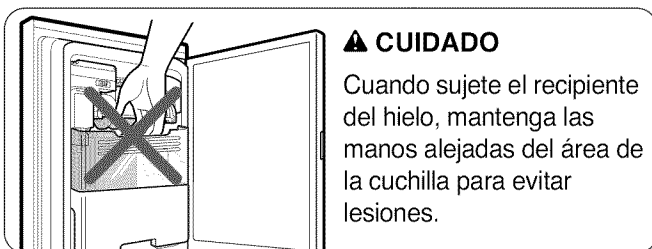
2. Para sacar la charola para hielo de la puerta, sujete la manija del frente, levante ligeramente la parte inferior, y lentamente jale la charola como se muestra.



3. Para volver a colocar la charola para hielo en la puerta, incline ligeramente la charola para evitar el contacto con la máquina para hielo.



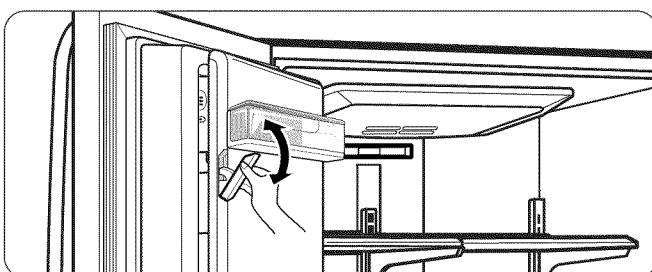
4. Evite tocar el sensor de la cubitera al volver a colocar el depósito de hielo. Consulte la etiqueta de la puerta del compartimiento de hielo para conocer más detalles.



### ▲ CUIDADO

Cuando sujete el recipiente del hielo, mantenga las manos alejadas del área de la cuchilla para evitar lesiones.

1. Tire o empuje el asa de la puerta para abrir o cerrar el recipiente del hielo.



# USANDO SU REFRIGERADOR

## AJUSTE DE LOS CONTROLES

Conceda al refrigerador tiempo suficiente para enfriarse completamente antes de realizar los ajustes finales. La mejor opción es esperar 24 horas antes de hacer esto. Los ajustes iniciales indicados en la sección AJUSTE DE CONTROLES deberían ser correctos para el uso doméstico habitual de un refrigerador. Los controles serán correctos cuando la leche o zumos estén tan fríos como usted desea y el helado se mantenga firme.

El control del refrigerador funciona como si fuera el termostato de todo el aparato (secciones del refrigerador y congelador). Cuanto más frío el ajuste, más tiempo el compresor trabaja para mantener la temperatura más fría. El control del congelador ajusta el flujo de aire frío desde el congelador al refrigerador. Ajustar el control del congelador a una temperatura más baja mantiene más aire frío en el compartimiento del congelador para hacerlo más frío.

Si usted necesita ajustar las temperaturas en el refrigerador o en el congelador, comience por ajustar la del refrigerador.

Si necesita ajustar las temperaturas del refrigerador o el congelador, comience ajustando el refrigerador, y deje transcurrir 24 horas para que se establezcan las temperaturas.

Si la temperatura sigue siendo demasiado alta o baja, ajuste el control del congelador.

**Recuerde siempre esperar al menos 24 horas entre ajustes.**

CONDICIÓN/RAZÓN:	AJUSTE RECOMENDADO:
<ul style="list-style-type: none"><li>■ Sección del REFRIGERADOR demasiado abrigada</li><li>– Puerta abierta con frecuencia</li><li>– Gran cantidad de alimentos agregados</li><li>– Temperatura de la habitación muy caliente</li></ul>	Baje el control del REFRIGERADOR un grado C (Centígrado) o dos grados F (Fahrenheit), espere 24 horas y vuelva a comprobar
<ul style="list-style-type: none"><li>■ Sección del CONGELADOR demasiado abrigada/se demora mucho en hacer hielo</li><li>– Puerta abierta con frecuencia</li><li>– Gran cantidad de alimentos agregados</li><li>– Temperatura ambiente muy fría (menos de 55 °F) (el compresor funciona con la frecuencia suficiente).</li><li>– Uso de hielo muy frecuente</li><li>– Rejillas de aire bloqueadas por artículos</li></ul>	Baje el control de la heladera un grado C (Centígrado) o dos grados F (Fahrenheit), espere 24 horas y vuelva a comprobar  Mueva los artículos fuera de la corriente de aire
<ul style="list-style-type: none"><li>■ Sección de REFRIGERADOR demasiado fría</li><li>– Controles no fijados correctamente para sus condiciones</li></ul>	Suba el control del REFRIGERADOR un grado C (Centígrado) o dos grados F (Fahrenheit), espere 24 horas y vuelva a comprobar
<ul style="list-style-type: none"><li>■ Sección del CONGELADOR demasiado fría</li><li>– Controles no fijados correctamente para sus condiciones</li></ul>	Suba el control de la heladera un grado C (Centígrado) o dos grados F (Fahrenheit), espere 24 horas y vuelva a comprobar

# USANDO SU REFRIGERADOR

## GUÍA DE ALMACENAMIENTO DE ALIMENTOS

Envuelva o almacene alimentos en el refrigerador en materiales herméticos y a prueba de humedad a menos que se indique de otra forma. Esto evita que el olor y el sabor de los alimentos se transfieran por todo el refrigerador. Para productos fechados, verifique el código de fecha para asegurar la frescura.

Items	How to
<b>Mantequilla o Margarina</b>	► Mantenga la mantequilla abierta en un plato cubierto o en un compartimiento cerrado. Al guardar una cantidad extra, envuélvala en empaques para congelar y congele.
<b>Queso</b>	► Almacene en el empaque original hasta que Ud. esté listo para usarlo. Una vez abierto, vuelva a envolver herméticamente en envoltura plástica u hoja de aluminio.
<b>Leche</b>	► Limpie las cajas de leche. Para mejor almacenamiento, coloque la leche en un anaquel interior, no en el anaquel de la puerta.
<b>Huevos</b>	► Guarde el cartón original en una percha interior, no en una percha de la puerta.
<b>Frutas</b>	► Lave, deje secar, y guarde en el refrigerador en bolsas de plástico o en el recipiente para hortalizas frescas. No lave ni quite la cáscara a las bayas (fresas y similares) hasta que Ud. esté listo para usarlas. Ordenar y guardar las bayas en su envase original para matener el sabor, o almacenar en una bolsa de papel cerrado y sellado en un estante del refrigerador.
<b>Hortalizas de Hoja</b>	► Retire la envoltura de la tienda y corte o arranque las áreas maltratadas y descoloridas. Lave en agua fría y deje secar. Coloque en bolsa de plástico o recipiente de plástico y guarde en un recipiente para hortalizas frescas.
<b>Pescado</b>	► Use el pescado y marisco fresco el mismo día que lo compró.
<b>Hortalizas con cascara (zanahorias, pimientos)</b>	► Coloque en bolsas de plástico o recipiente de plástico y guarde en un recipiente para hortalizas frescas.
<b>Sobras</b>	► Cubra las sobras con envoltura plástica u hoja de aluminio. También se pueden usar contenedores plásticos con tapas herméticas.

## COMO GUARDAR ALIMENTOS CONGELADOS

**NOTA:** Para mayor información sobre preparación de alimentos para congelar o sobre tiempos de almacenaje de alimentos, verifique una guía de congelación o un libro de cocina confiable.

### Empacado

La congelación exitosa depende del empaque correcto. Cuando Ud. cierre y selle el paquete, éste no debe permitir que pase aire o humedad hacia adentro o afuera. Si lo hace, podría tener transferencias de olor y sabor de la comida por todo el refrigerador y también se puede secar la comida congelada.

### Recomendaciones de empaque:

- Contenedores de plástico rígido con tapas de cierre hermético.
  - Jarras para enlatar/congelar de paredes verticales rectas
  - Papel aluminio de uso pesado
  - Papel recubierto con plástico
  - Envolturas de plástico no permeable
  - Bolsas de plástico auto-sellantes con especificación de tipo para congelador
- Siga las instrucciones del recipiente o del empaque para los métodos de congelación apropiados.

### No use:

- Envolturas para pan
  - Recipientes sin tapas herméticas
  - Envoltura para congelador recubierta de cera o papel encerado
  - Envoltura delgada semipermeable
- ▲ CUIDADO:** No guarde bebidas en lata ni recipientes de plástico para alimentos en el compartimento de la heladera. Pueden romperse o explotar si se congelan.

# USANDO SU REFRIGERADOR

## Congelación

Su congelador no congelará rápidamente cualquier cantidad grande de alimentos. No coloque más alimentos sin congelar en el congelador que los que se podrán congelar en un plazo de 24 horas (no más de 2 a 3 libras de alimentos por pie cúbico de espacio en el congelador). Deje suficiente espacio en el congelador para que el aire circule alrededor de los paquetes. Tenga cuidado de dejar espacio suficiente al frente de manera que la puerta pueda cerrar herméticamente.

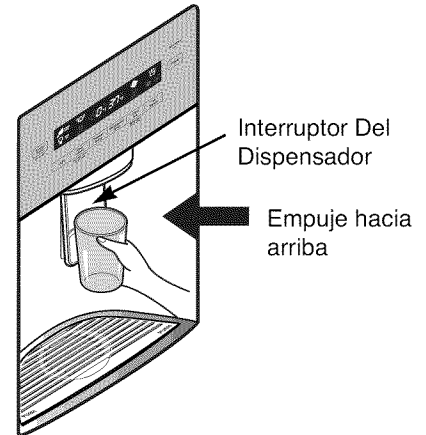
Los tiempos de guardado variarán de acuerdo con la calidad y tipo de alimento, el tipo de empaque o envoltura usados (a prueba de humedad y hermético al aire) y la temperatura de almacenamiento. Los cristales de hielo dentro de un paquete sellado son normales. Esto simplemente significa que la humedad del alimento y del aire dentro del paquete se ha condensado, creando cristales de hielo.

**NOTA:** Permita que los alimentos calientes se enfríen a la temperatura de la habitación durante unos 30 minutos, luego empaque y congele. Enfriar los alimentos calientes antes de congelar ahorra energía.

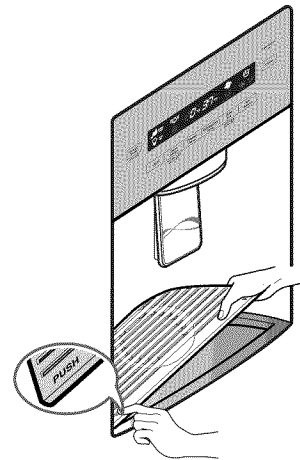
## SECCIÓN REFRIGERADOR

### DISPENSADOR DEL AGUA

Para dispensar agua fría, presione el interruptor del dispensador con un vaso.

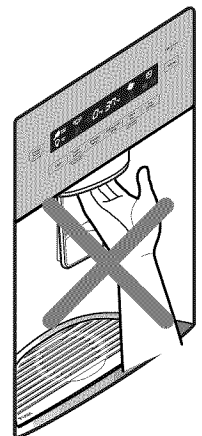


Pulse cualquiera de las esquinas de la parte frontal para extraer la bandeja.



**⚠ ADVERTENCIA:** no introduzca los dedos en el interior de la apertura del conducto de hielo. Hacerlo podría ocasionarle graves lesiones.

**⚠ CUIDADO:** No dispense hielo en copas de cristal fino o porcelana. Las copas o la porcelana pueden romperse.



# USANDO SU REFRIGERADOR

## ANAQUELES DEL REFRIGERADOR

Los anaqueles de su refrigerador son ajustables para satisfacer sus necesidades individuales de almacenamiento. Su modelo puede tener anaqueles de cristal o de alambre.

Guardar artículos de alimentos similares juntos en su refrigerador y ajustar los anaqueles para adaptarlos a las diferentes alturas de los artículos hará más fácil que Ud. encuentre el artículo exacto que quiere, reducirá también el tiempo que la puerta del refrigerador esté abierta, ahorrando energía.

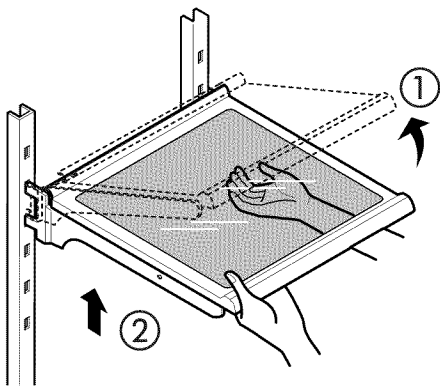
**IMPORTANTE:** No limpie los estantes de cristal con agua caliente mientras están fríos. Los anaqueles se pueden romper si son expuestos a cambios de temperatura repentinos o a impactos, tales como golpes. Para su protección, los anaqueles de cristal son fabricados con vidrio templado, el cual se romperá en pedazos del tamaño de un guijarro.

**NOTA:** Los anaqueles de cristal son pesados. Tenga especial cuidado al retirarlos para evitar dejarlos caer.

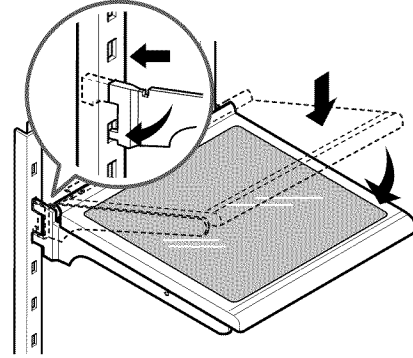
### Ajuste de los Anaqueles

Retire los anaqueles de la posición de embarque y vuelva a colocarlos en la posición que Ud. desee.

- **Para retirar un anaquel**—Incline hacia arriba el frente del anaquel en la dirección de ① y levántelo en la dirección de ②. Jale el anaquel hacia afuera.



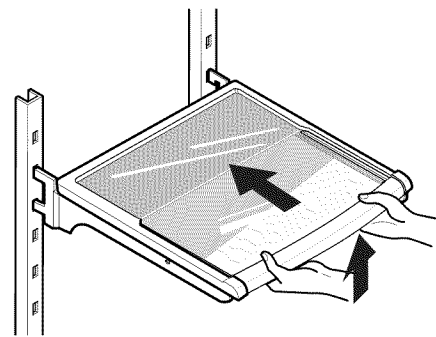
- **Para volver a colocar un anaquel**—Incline el frente del anaquel hacia arriba y guíe los ganchos del anaquel dentro de las ranuras a una altura deseada. Luego baje el frente del anaquel de forma que los ganchos encajen dentro de las ranuras.



- ⚠ **CUIDADO:** Asegúrese de que los anaqueles estén nivelados de un lado al otro. La falla en hacer esto puede resultar en la caída del anaquel o en derrames de los alimentos.

### Estante plegable

Puede guardar artículos de tamaño mayor como recipientes o botellas con sólo pulsar en la parte frontal del estante. Tire hacia usted para que el estante retome su tamaño y posición habitual.



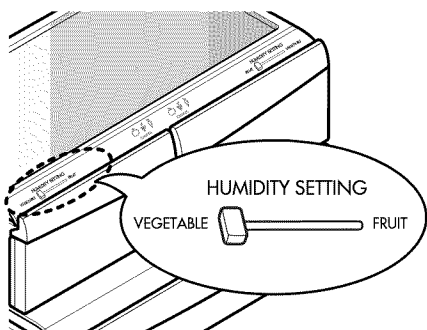
## USANDO SU REFRIGERADOR

### CONTROL DE LA HUMEDAD DEL RECIPIENTE PARA HORTALIZAS FIRMES

Ud. puede controlar la cantidad de humedad en estos recipientes de humedad sellada.

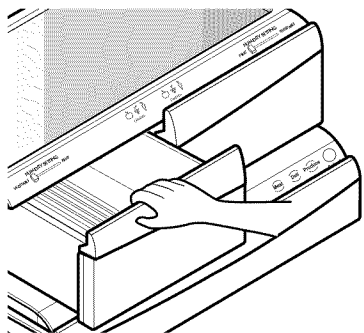
Guarde los vegetales o frutas que requieran más o menos humedad en accesorios separados. Ajuste el control a alguna selección entre **VEGETABLE** y **FRUIT**.

- **VEGETABLE** mantiene aire húmedo en el accesorio para mejor almacenamiento de hortalizas de hoja, frescos.
- **FRUIT** permite que el aire húmedo salga del accesorio para un mejor almacenamiento de frutas.



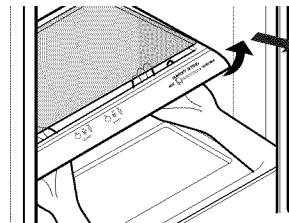
### PARA RETIRAR EL RECIPIENTE PARA HORTALIZAS

1. Para retirar, jale el cajón hacia fuera a toda su extensión.
2. Levante el frente del recipiente, luego jálalo derecho hacia afuera.
3. Para instalar, incline hacia arriba ligeramente el frente e inserte el cajón en el bastidor y empuje hacia atrás para que quede en su lugar.



### Para quitar el vidrio:

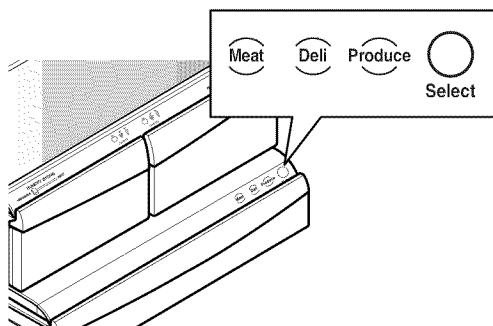
1. Levante el vidrio después de haber insertado un dedo en el agujero situado debajo de la cubierta del cajón.
2. Levante el vidrio y sáquelo.



### COMPARTIMENTO PANTRY DE TEMPERATURA CONTROLADA

El **compartimento Pantry de temperatura controlada** proporciona un espacio de almacenamiento con un control variable de temperatura, que puede mantenerse a una temperatura inferior a la del compartimento del refrigerador. Este compartimento puede usarse para almacenar bandejas grandes para fiestas, delicatessen y bebidas. (Este compartimento no debe usarse para almacenar verduras que requieran una humedad elevada).

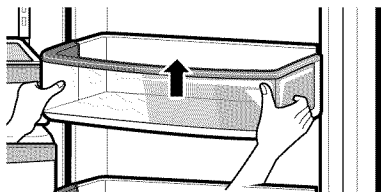
Pulse el botón de Selección para escoger entre las opciones Carne, Delicatessen y Alimentos frescos.



## CANASTAS AJUSTABLES

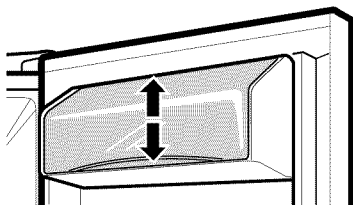
Los recipientes de la puerta son desmontables para una limpieza y ajuste sencillos.

1. Para sacar el recipiente, simplemente levántelo hacia arriba y jale hacia afuera.
2. Para colocar la bandeja, deslícela por encima del botón de apoyo deseado y presione hacia abajo, hasta que quede encajada en su posición.



## RECIPIENTE PARA LÁCTEOS

1. Para quitar el recipiente de lácteos, sólo levántelo y sáquelo.
2. Para volver a colocarlo, deslícelo en su lugar y presiónelo hacia abajo hasta que se detenga.

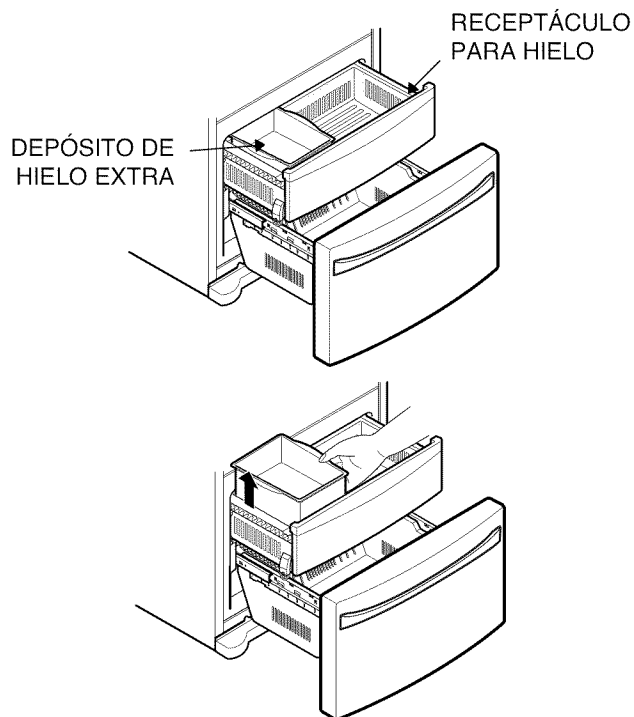


**NOTA:** El compartimento para lácteos sólo podrá instalarse en el espacio superior de la puerta derecha.

## SECCIÓN CONGELADOR

### DEPÓSITO DE HIELO EXTRA

1. Para extraer el depósito de hielo del cajón superior, tire del cajón hacia fuera tanto como sea posible.
2. Levante y extraiga con cuidado el receptáculo para hielo.
3. Para reinstalar, extraiga el cajón tanto como sea posible y coloque el receptáculo para hielo en la posición correcta. A continuación, empuje hacia dentro el cajón.



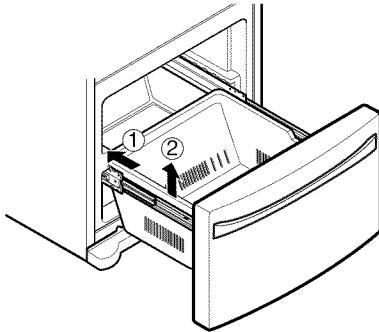
**⚠ CUIDADO:** Peligro de pellizco! Mantenga manos y pies lejos de la base de la puerta cuando la abra y cierra.



## USANDO SU REFRIGERADOR

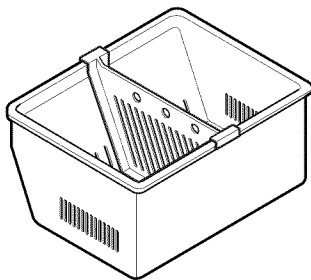
### DURABASE

1. Para quitar el Durabase, empuja a la parte de atrás tanto como sea posible. Incline el frente de la Durabase hacia arriba y jale recto hacia afuera.
2. Para instalar, inserte la Durabase en el ensamble de los rieles.



### DIVISOR DE LA DURABASE

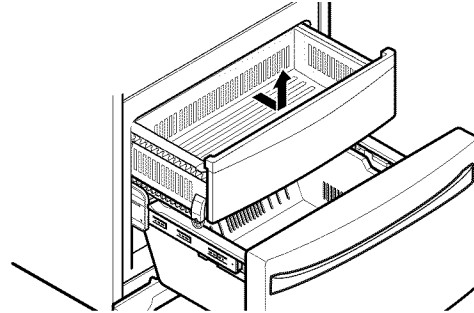
El divisor de la Durabase le permite organizar el área de la Durabase en secciones.



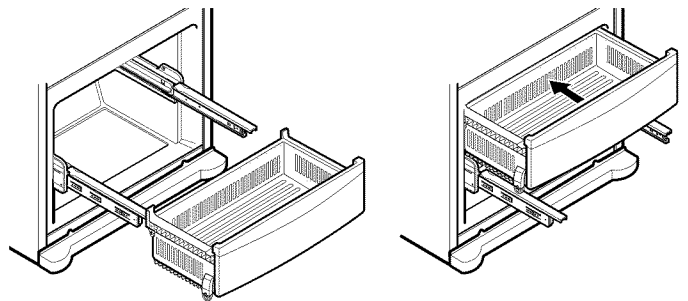
- ▲ ADVERTENCIA:** Si retira el divisor Durabase, creará suficiente espacio como para que los niños, o mascotas, se introduzcan en el electrodoméstico.
- Para evitar que los niños o mascotas puedan quedar atrapados o sufrir asfixia, NO permita que toquen o se acerquen al cajón del congelador.

### CAJÓN EXTRAÍBLE

1. Para retirar, jale el cajón hacia fuera a toda su extensión. Levante el frente del cajón, luego jálelo hacia fuera.



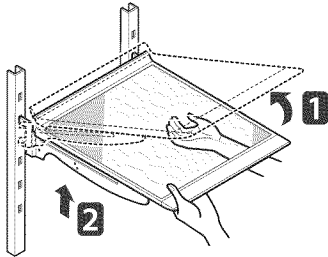
2. Para instalar, incline hacia arriba ligeramente el frente e inserte el cajón en el bastidor y empuje hacia atrás para que quede en su lugar.




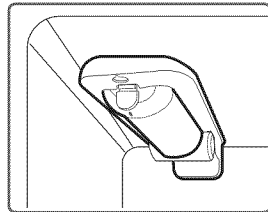
## FILTRO DE AGUA

### Avant de remplacer le filtre à eau :

Si la clayette supérieure située sous le filtre à haut est placée en position la plus haute, vous devrez la retirer avant de remplacer le filtre à eau. Pour retirer une clayette—Inclinez l'avant de l'étagère dans la direction de **1** et soulevez-la dans la direction de **2**. Tirez sur l'étagère pour la retirer.



Se recomienda sustituir el filtro aproximadamente cada 6 meses, cuando se ilumine el indicador del filtro (  ) o cuando se reduzca sensiblemente el rendimiento del dispensador de hielo y agua.

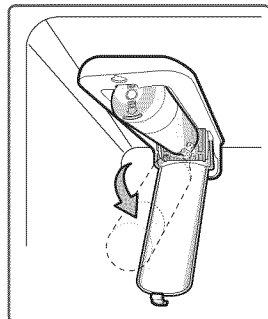
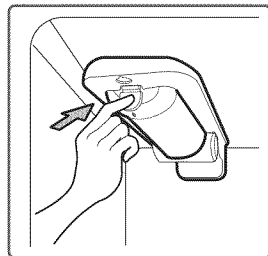


### 1. Retire el filtro usado.

- Presione el botón para abrir la cubierta del filtro.

**NOTA:** Cuando se cambia el filtro, se pierde una pequeña cantidad de agua (alrededor de 1 oz o 25 cc). Coloque una taza bajo el orificio del filtro para recoger los residuos.

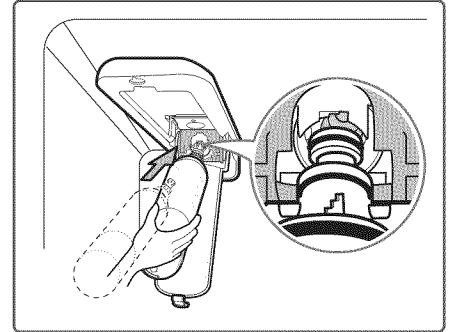
- Tire del filtro hacia abajo y extráigalo.



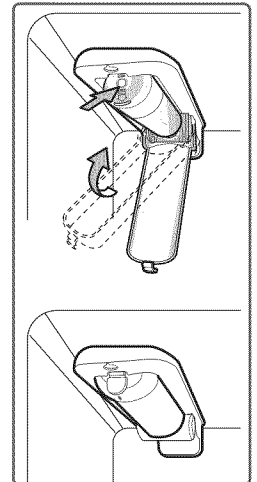
### 2. Coloque un filtro nuevo.

- Saque el filtro del envase y retire la tapa protectora de las juntas tóricas.

Con las "pestañas" del filtro en posición horizontal, empuje el nuevo filtro en el orificio del colector hasta que haga tope.



- Empuje el filtro con fuerza. La cubierta volverá a su sitio con un clic.

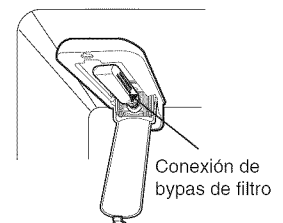


3. Tras cambiar el filtro, filtre cuatro litros de agua antes de la utilización (aproximadamente 5 minutos) y compruebe que no haya fugas en el filtro. Para poner a cero el estado del filtro de agua y la luz indicadora, mantenga pulsado el botón Ultra Ice (puesta a cero del filtro) durante un mínimo de 3 segundos.

### 4. Conexión de bypas de filtro

Guarde el tapón del bypas del filtro. **DEBE** utilizar el tapón del bypass del filtro cuando no disponga del cartucho de filtro de repuesto.

- ⚠ CUIDADO:** NO utilice el frigorífico sin el filtro o el tapón del filtro colocados.



**NOTA:** Para comprar el remplazo del filtro de agua visite su tienda Sears o llame al 1-800-4MY-HOME. También puede visitar nuestra página web en [www.sears.com/partsdirect](http://www.sears.com/partsdirect).

# FILTRO DE AGUA

## Hoja de datos de rendimiento

**Modelo: LG ADQ36006102-S**

Uso del filtro de sustitución: ADQ36006102

La concentración de las sustancias indicadas en el agua que entra en el sistema se redujo a una concentración menor o igual al límite permisible para el agua de salida según las especificaciones de los estándares NSF/ANSI 42 y 53.



Sistema probado y certificado por NSF International según los estándares NSF/ANSI 42 y 53 para la reducción de las sustancias siguientes.

Reducción de contaminantes	Influyente medio	Concentración objetivo especificada por NSF	% de reducción media	Concentración media de producto en agua	Concentración máxima permisible de producto en agua	Requisitos de reducción NSF	Informe de prueba de NSF
Olor y sabor de cloro	2,1 mg/L	2,0 mg/L $\pm$ 10%	97,2%	0,06 mg/L	N/A	$\geq$ 50%	J-00049247
Partículas nominales clase I, $\geq$ 0,5 a $<$ 1,0 $\mu$ m	5,600,000 pts/mL	Al menos 10,000 partículas/mL	98,7%	73,000 pts/ml	N/A	$\geq$ 85%	J-00049282
Asbestos	190 MFL	De $10^7$ a $10^8$ MFL; fibras mayor a 10 $\mu$ m de longitud	$>$ 99%	$<$ 1MLF	N/A	$\geq$ 99%	J-0004928
Atracina	0,0094 mg/L	0,009 mg/L $\pm$ 10%	94,7%	0,00005 mg/L	0,003 mg/L	N/A	J-00049293
Benceno	0,016 mg/L	0,015 mg/L $\pm$ 10%	96,7%	0,005 mg/L	0,005 mg/L	N/A	J-00049300
Carbofuran	0,08 mg/L	0,08 mg/L $\pm$ 10%	98,1%	0,002 mg/L	0,04 mg/L	N/A	J-00049294
Lindano	0,002 mg/L	0,002 mg/L $\pm$ 10%	98,2%	0,00004 mg/L	0,0002 mg/L	N/A	J-00051975
P-Diclorobenceno	0,22 mg/L	0,225 mg/L $\pm$ 10%	99,8%	0,0005 mg/L	0,075 mg/L	N/A	J-00049298
Toxafeno	0,014 mg/L	0,015 mg/L $\pm$ 10%	93%	0,001 mg/L	0,003 mg/L	N/A	J-00049302
2,4-D	0,213 mg/L	0,210 mg/L $\pm$ 10%	95,2%	0,009 mg/L	0,07 mg/L	N/A	J-00049284
Plomo pH @ 6,5	0,150 mg/L	0,15 mg/L $\pm$ 10%	$>$ 99,3%	0,001 mg/L	0,010 mg/L	N/A	J-00051974
Plomo pH @ 8,5	0,150 mg/L	0,15 mg/L $\pm$ 10%	$>$ 99,3%	0,001 mg/L	0,010 mg/L	N/A	J-00049277
Mercurio @ pH 6,5	0,0059 mg/L	0,006 mg/L $\pm$ 10%	96,1	0,0002 mg/L	0,002 mg/L	N/A	J-00053886
Mercurio @ pH 8,5	0,0058 mg/L	0,006 mg/L $\pm$ 10%	90,1	0,0006 mg/L	0,002 mg/L	N/A	J-00051972
Bacterias*	120,000 bacterias/L	Mínimo de 50,000 bacterias/L	99,99%	$<$ 1 bacterias/L	N/A	$\geq$ 99,95%	J-00049281

\* Basado en el uso de *Cryptosporidium parvum* oocysts.

# FILTRO DE AGUA

Guías de Uso/Parámetros de Suministro de Agua	
Flujo de servicio	1.9 l/m (0.5 g/m)
Suministro de agua	Agua potable
Presión de agua	20 -120 psi (138 - 827 kPa)
Temperatura del agua	0.6°C - 38°C (33°F - 100°F)

Es indispensable que se realicen la instalación recomendada por el fabricante, el mantenimiento y los requerimientos de remplazo del filtro para que el producto se desempeñe adecuadamente.

**Nota:** Mientras que las pruebas se realizaron en condiciones estándar de laboratorio, el desempeño real puede variar.

Cambio del filtro: ADQ36006102

Favor de llamar para verificar los costos estimados de las partes de remplazo al 1-800-469-4663 o visite nuestro sitio de Internet en [www.sears.com/partsdirect](http://www.sears.com/partsdirect)

3M es una marca comercial de 3M Company.  
NSF es una marca comercial de NSF International.  
© 2009 3M Company. Reservados todos los derechos.

## **ADVERTENCIA**

**Para reducir el riesgo asociado con la ingestión de contaminantes: No use agua que no es microbiológicamente segura o de calidad desconocida sin haberle desinfectado adecuadamente antes y después del sistema.**

Se pueden usar sistemas certificados para la reducción de quistes en agua desinfectada que pueda contener quistes filtrables. Número de establecimiento EPA 10350-MN-005

## **CUIDADO**

**Para reducir el riesgo asociado con daños a la propiedad debido a fugas de agua:**

- **Lea y siga.** Use las Instrucciones antes de la instalación y del uso de este sistema.
- La instalación y el uso **DEBEN** cumplir con todos los códigos de plomería estatales y locales.
- **No** instale si la presión del agua excede las 120 psi (827 kPa). Contrate a un plomero profesional si no tiene la seguridad de cómo verificar la presión del agua.
- **No** instale donde puedan darse condiciones de golpe de agua. Si existen condiciones de golpe de agua usted debe instalar un bloqueador de golpe de agua. Contrate a un plomero profesional si no tiene la seguridad de cómo verificar la presión del agua.
- No instale en líneas de suministro de agua caliente. La temperatura máxima del agua de operación de este sistema de filtrado es de 38°C (100°F).
- **Evite la congelación del filtro.** Drene el filtro cuando la temperatura caiga por debajo de 4.4°C (40°F).
- Cambie el filtro desechable cada 6 meses, o con mayor frecuencia, dependiendo del uso.

# FILTRO DE AGUA

State of California  
Department of Public Health  
Water Treatment Device  
Certificate Number  
09 - 2019

Date Issued: December 15, 2009

---

---

**Trademark/Model Designation**

ADQ36006102-S

**Replacement Elements**

ADQ36006102

---

**Manufacturer:** Sears Brands Management Corporation

---

The water treatment device(s) listed on this certificate have met the testing requirements pursuant to Section 116830 of the Health and Safety Code for the following health related contaminants:

**Microbiological Contaminants and Turbidity**

Cysts

**Inorganic/Radiological Contaminants**

Asbestos

Lead

Mercury

**Organic Contaminants**

2,4-D Reduction

Atrazine

Benzene

Carbofuran

Lindane

p-Dichlorobenzene

Toxaphene

---

**Rated Service Capacity:** 200 gal

**Rated Service Flow:** 0.5 gpm

---

**Conditions of Certification:**

### **! ADVERTENCIA**



#### **Riesgo de Explosión**

Use un limpiador no inflamable.  
La falla en hacer esto puede resultar en muerte, explosión, o incendio.

Tanto las secciones del refrigerador y congelador descongelan automáticamente. Sin embargo, limpie ambas secciones aproximadamente una vez al mes para evitar olores. Seque los derrames inmediatamente.

### **CONSEJOS GENERALES DE LIMPIEZA**

- Desenchufe el refrigerador o desconecte la corriente.
- Retire todas las partes removibles, tales como anaqueles, recipientes, etc. Consulte las secciones en Usando Su Refrigerador para ver las instrucciones sobre cómo retirar.
- Use una esponja para limpiar o paño suave y un detergente ligero en agua tibia. No use limpiadores abrasivos o fuertes.
- Lave a mano, enjuague y seque toda la superficie a fondo.
- Enchufe el refrigerador o reconecte la corriente.

### **PARTE EXTERIOR**

Encerar las superficies de metal pintadas del exterior ayuda a suministrar protección contra la corrosión. No aplique cera a las partes plásticas. Encere las superficies de metal pintadas al menos dos veces por año usando cera para electrodomésticos (o cera en pasta para automóviles). Aplique la cera con un paño suave y limpio.

Para productos con un exterior de acero inoxidable, use una esponja limpia o un paño suave y un detergente ligero en agua tibia. No use limpiadores fuertes o abrasivos. Seque a fondo con un paño suave.

Ne pas utiliser de cire pour appareils, de décolorant, ou d'autres produits contenant du chlore sur l'acier inoxydable.

### **PAREDES INTERNAS (deje que el congelador se caliente para que el paño no se quede pegado)**

Para ayudar a remover los olores dentro del Refrigerador, puede lavar el interior de la unidad con una mezcla de bicarbonato de sodio y agua tibia. Mezcle 2 cucharadas de bicarbonato de sodio a un cuarto de de agua (26g de bicarbonato a 1 litro de agua) Asegurese que el bicarbonato de sodio este disuelto completamente para que no raye la superficie.

**! CUIDADO:** No rocíe agua al limpiar el interior.

### **REVESTIMIENTOS Y EMPAQUES DE LA PUERTA**

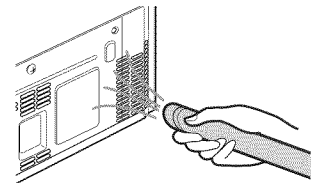
En las partes de plástico del refrigerador no use ceras limpiadoras, detergentes concentrados, blanqueadores, o limpiadores que contengan petróleo.

### **PARTES PLÁSTICAS (cubiertas y paneles)**

No use sprays limpiadores de ventanas, limpiadores abrasivos, ni fluidos inflamables. Estos pueden rayar o dañar el material.

### **BOBINAS DEL CONDENSADOR**

Utilice una aspiradora con un accesorio para limpiar la cubierta del condensador y las aberturas.



### **REEMPLAZO DEL FOCO**

### **! ADVERTENCIA**

#### **Peligro de Choque Eléctrico**

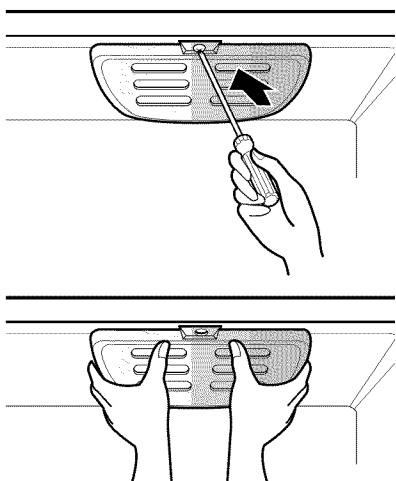
Antes de sustituir una lámpara, desenchufe el refrigerador o corte la alimentación eléctrica en el disyuntor o la caja de fusibles.

**NOTA:** La luz del refrigerador está compuesta de LEDs interiores, que deberán ser sustituidos por un técnico cualificado.

## CUIDADO Y LIMPIEZA

### Cambio de la lámpara del compartimento del congelador

1. Desconecte el cable de alimentación del refrigerador del tomacorriente.
2. Sujete la tapa y tire de ella hacia abajo.
3. Sujete la cubierta de la lámpara y empújela hacia abajo.
4. Asegúrese que el foco está frío al tacto. Gire la lámpara en sentido antihorario para retirarla.
5. Sustitúyalo por otro nuevo de 60 vatios especial para electrodomésticos.
6. Introduzca las lengüetas de la parte posterior de la tapa en las ranuras del techo de la heladera. Presione la tapa hasta escuchar un chasquido que indique su correcta instalación.
7. Apriete el tornillo con un destornillador Phillips.



**▲ CUIDADO:** NO coloque los dedos dentro de la cubierta. El foco puede estar caliente.

- Cuando usted haya terminado, reconecte el refrigerador a la fuente eléctrica y reinicia los controles.

### APAGONES

Si la electricidad se va, llame a la compañía de electricidad y pregunte cuánto tiempo estará fuera de servicio.

1. Si no habrá energía por 24 horas o menos, mantenga ambas puertas del refrigerador cerradas para ayudar a que los alimentos se mantengan fríos y congelados.
2. Si la alimentación eléctrica va a estar desconectada más de 24 horas, retire todos los alimentos congelados y guárdelos en una cámara frigorífica.

### CUANDO UD. SALGA DE VACACIONES

Si usted prefiere dejar el refrigerador encendido mientras está fuera, antes de salir, siga estos pasos para preparar su refrigerador.

1. Use todos los alimentos perecederos y congele todos los otros artículos.
2. Apague la máquina de hielo y vacíe su depósito.

Si usted decide apagar el refrigerador antes de salir, siga estos pasos.

1. Retire todos los alimentos del refrigerador.
2. Limpie el refrigerador, enjuáguelo y séquelo bien.
3. Coloque con cinta bloques de caucho o de madera en las partes superiores de ambas puertas para mantenerlas suficientemente abiertas y permitir que entre el aire. Esto evita que se acumule el olor y el moho.

### CUANDO UD. SE CAMBIE DE CASA

Cuando usted vaya a mover su refrigerador a una nueva casa, siga estos pasos para prepararse a la mudanza

1. Retire todos los alimentos del refrigerador y empaque todos los alimentos congelados en hielo seco.
2. Desconecte el refrigerador.
3. Limpie, enjuague y seque completamente.
4. Saque todas las partes removibles, envuélvalas bien y póngales cinta adhesiva para que no se dispersen y pierdan durante la mudanza. Refiérase a las secciones en **Usando Su Refrigerador** para ver instrucciones sobre partes removibles.
5. Dependiendo del modelo, eleve el frente del refrigerador de forma que ruede más fácilmente. O atornille las patas de nivelación completamente para que no rayen el piso. Vea la sección **Cómo Cerrar la Puerta**.
6. Coloque cinta para cerrar las puertas y coloque cinta al cable de alimentación que va al gabinete del refrigerador.

Cuando usted llegue a su nueva casa, saque todo, y consulte la sección **Instalando Su Refrigerador** para ver las instrucciones de preparación.

## ACERCA DE LA FÁBRICA DE HIELO

### MÁQUINA AUTOMÁTICA PARA HACER HIELO

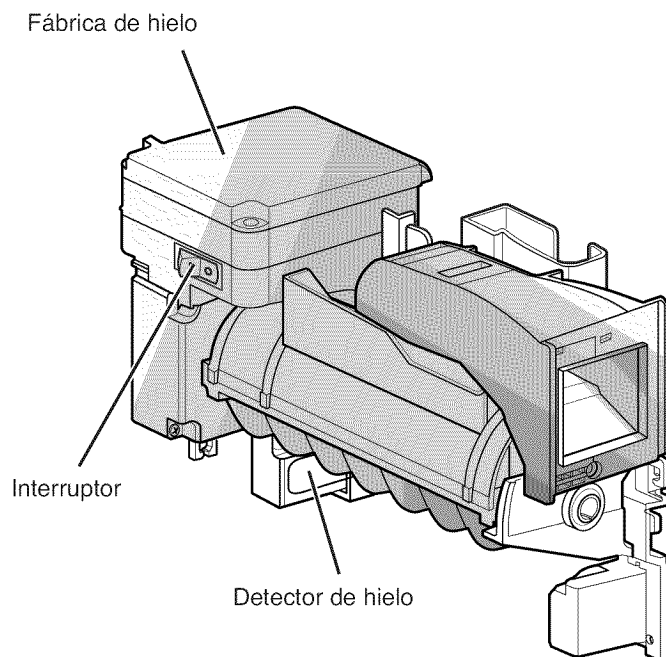
El hielo se hace en la cubitera automática y se envía al dispensador. El dispensador de hielo producirá 70~210 cubitos en un periodo de tiempo de 24 horas, en función de la temperatura del congelador, de la temperatura ambiente, del número de puerta abiertas y otras condiciones de funcionamiento.

- Un refrigerador recién instalado tarda 12–24 horas en hacer hielo.
- La fabricación de hielo se detiene cuando el recipiente de almacenamiento de hielo se llena.
- Para apagar la máquina automática de cubitos de hielo, coloque el interruptor en OFF(O). Para encender la máquina automática de cubitos de hielo, coloque el interruptor en ON(I).
- La presión del agua debe situarse entre 20 y 120 psi en modelos sin filtro de agua y entre 40 y 120 psi en los modelos con filtro de agua para producir la cantidad normal de agua y cubitos de hielo.

### ⚠ ADVERTENCIA

#### Peligro de Lesión Personal

NO coloque los dedos o manos en el mecanismo automático para hacer hielos mientras el refrigerador esté conectado.





## ACERCA DE LA FÁBRICA DE HIELO

### ▲ PRECAUCIONES

- Cuando se utiliza por primera vez, el hielo y el agua pueden incluir partículas u olores provenientes de la línea de suministro de agua o del tanque de agua.
- Deseche los primeros cubitos de hielo.
- Esto también es necesario si el refrigerador no ha sido usado durante un largo período.
- Nunca almacene latas de bebidas u otros alimentos en la charola para hielo con el propósito de que se enfríen más rápido.
- Si se obtiene hielo descolorido, verifique el filtro de agua y el suministro de agua. Si el problema continúa, póngase en contacto con Sears o un servicio técnico autorizado. No consuma el hielo o el agua hasta corregir el problema.
- Mantenga a los niños alejados del dispensador. Los niños pueden jugar con él o dañar los controles.
- El paso de hielo también puede bloquearse con escarcha si sólo se utiliza hielo triturado. Retire la escarcha que se acumula.
- Nunca utilice vasos de cristal delgado o vajilla de loza para recoger hielo. Dichos recipientes pueden romperse, y los fragmentos de vidrio pueden caer en el hielo.
- Recoja el hielo en un vaso antes de llenarlo con agua u otras bebidas. Pueden provocarse salpicaduras si se sirve hielo en un vaso que ya contiene líquido.
- Nunca utilice un vaso demasiado angosto o profundo. El hielo puede trabarse en el paso del hielo y puede afectar el funcionamiento del refrigerador.
- Mantenga el vaso a una distancia prudencial de la salida del hielo. Si sostiene el vaso demasiado cerca puede bloquear la salida del hielo.
- Para evitar lesiones personales, mantenga las manos lejos de la puerta y del paso del hielo.
- No retire nunca la cubierta del dispensador.
- Si se dispensan agua o hielo de forma imprevista, cierre el suministro de agua y póngase en contacto con el servicio de atención al cliente de Sears en el número **1-800-4 MY-HOME**.

### CUANDO DEBERÍA AJUSTAR EL CONMUTADOR DE ENCENDIDO DE LA FÁBRICA DE HIELO A OFF (O)

- Cuando el suministro de agua será cortado por varias horas.
- Cuando se retira el recipiente del hielo durante más de uno o dos minutos.
- Cuando el refrigerador no será usado por varios días.

**NOTA:** El recipiente del hielo se vaciará cuando el interruptor de encendido/apagado de la máquina de hielo esté en la posición **Off (O)**.

### SONIDOS NORMALES QUE USTED PUEDE ESCUCHAR

- La válvula de la fábrica de hielo producirá un zumbido mientras el productor de hielo se llene con agua. Si el conmutador de energía está en la posición **On (I)**, producirá el zumbido aún si no ha sido conectado al agua. Para detener el sonido, mueva el conmutador de encendido a **Off (O)**.
- **NOTA:** Mantener el conmutador de encendido en la posición **On (I)** antes de que la línea de agua sea conectada puede dañar la fábrica de hielo.
- Usted escuchará el sonido de los cubos cayendo en el recipiente y el agua corriendo en los tubos conforme la fábrica de hielo se recargue.

### PREPARÁNDOSE PARA SALIR DE VACACIONES

Ponga el conmutador de energía de la fábrica de hielo en **Off (O)** y corte el suministro de agua al refrigerador.

**NOTA:** el depósito de hielo debe vaciarse cada vez que el interruptor on/off de la máquina de hielo pase a la posición **Off (O)**.

Si la temperatura ambiente baja más allá del punto de congelación, haga que un técnico de servicio calificado drene el sistema de suministro de agua para prevenir serios daños a la propiedad debido a la inundación desde líneas o conexiones de agua rotas.

# CONEXIÓN DE LA LÍNEA DE AGUA

## ANTES DE COMENZAR

Esta instalación de línea de agua no es garantizado por el fabricante de el refrigerador o el fabricante de la máquina de hacer hielo o por el detallista. Siga estas instrucciones con cuidado para minimizar el riesgo de daños onerosos por el agua.

El martillo de agua (golpes del agua en los tubos) en la plomería de la casa puede ocasionar daños a las partes del refrigerador y conducir a fugas de agua o inundación. Llame a un plomero calificado para corregir el martillo de agua antes de instalar la línea de suministro de agua para el refrigerador.

Para evitar daños al producto y quemaduras, no conecte la línea de agua a la línea de agua caliente.

Si usted usa el refrigerador antes de conectar la línea de agua, asegúrese de que el conmutador de encendido de la fábrica de hielo esté en la posición **O (apagado)**.

No instale los tubos de la fábrica de hielo en áreas donde las temperaturas sean menores al punto de congelación.

Al usar cualquier dispositivo eléctrico (tal como un taladro eléctrico), durante la instalación, asegúrese de que el dispositivo esté doblemente aislado o conectado a tierra para que evite el peligro de choque eléctrico, o que sea operado por baterías.

Si un **sistema de ósmosis inversa de agua de filtración está conectado al suministro de agua fría**, esta instalación de línea de agua no es garantizada por el fabricante de el refrigerador o el fabricante de la máquina de hacer hielo o por el detallista. Siga estas instrucciones con cuidado para minimizar el riesgo de caros daños por agua.

Si se conecta un **sistema de filtración de agua por ósmosis inversa al suministro de agua fría**, la presión del agua al sistema de ósmosis inversa debe tener un mínimo de 40 a 60 psi (2.8 kgf/cm<sup>2</sup> ~ 4.2 kgf/cm<sup>2</sup>, menos de 2.0~3.0 seg en llenar una taza de 19cl.).

Si la presión de agua del sistema de ósmosis inversa es menor a 21 psi (1.5 kgf/cm<sup>2</sup>, más de 4.0 seg. en llenar una taza de 19cl.).

Compruebe que el filtro de sedimentos del sistema de ósmosis inversa no está bloqueado. Cambie el filtro si es necesario.

Tras un uso severo del depósito de almacenamiento, deje que vuelva a llenarse antes de usarlo.

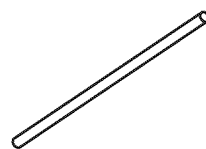
Si continúa el problema de la presión del agua en el sistema de osmosis inversa, llame a un fontanero cualificado.

Todas las instalaciones deben estar de acuerdo con los requerimientos del código de plomería local.

**NOTA:** Use protección para los ojos.

## LO QUE UD. NECESITARÁ

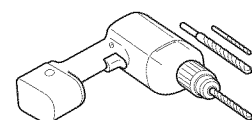
- **Tubería de Cobre**, 1/4" de diámetro exterior para conectar el refrigerador al suministro de agua. Asegúrese de que ambos extremos de la tubería sean cortados perpendicularmente.



Para determinar cuanta tubería usted necesita, mida la distancia desde la válvula de agua en la parte posterior del refrigerador al tubo de suministro de agua. Luego agregue ocho pies (2.4 m). Asegúrese de que haya suficiente tubería extra (unos 8 pies (2.4 m) enrollados en 3 vueltas de 10" (25 cm de diámetro) para permitir que el refrigerador pueda ser movido de la pared después de su instalación.

- **Un suministro de agua fría.** La presión de agua debe estar entre 20 y 120 p.s.i. en modelos sin filtro de agua y entre 40 y 120 p.s.i. en modelos con filtro de agua.

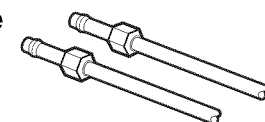
- **Taladro eléctrico.**



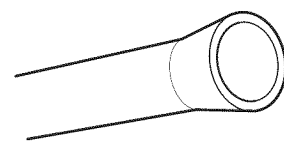
- **Llave de 1/2" o aj. ajustable.**

- **Desarmador plano y Phillips.**

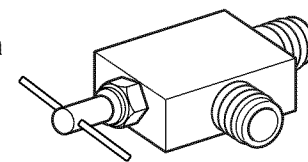
- **Dos tuercas de compresión de diámetro exterior de 1/4" y 2 casquillos (mangos)** para conectar la tubería de cobre a la válvula de cierre y a la válvula de agua del refrigerador.



- Si su línea de agua de cobre existente tiene una conexión acampanada en el extremo, usted necesitará un **adaptador** (disponible en las tiendas de suministro de plomería) para conectar la línea de agua al refrigerador O usted puede cortar la conexión acampanada con un cortador de tubería y luego usar una conexión de compresión.



- **Válvula de cierre para conectar a la línea de agua fría.** Esta válvula de cierre debería tener una entrada de agua con un mínimo de diámetro interior de 5/32" en el punto de conexión a la LÍNEA DE AGUA FRÍA. Las válvulas de cierre del tipo silla son incluidas en muchos juegos de suministro para el agua. Antes de comprar, asegúrese de que una válvula del tipo silla cumpla con sus códigos de plomería locales.



Las válvulas de cierre del tipo silla son incluidas en muchos juegos de suministro para el agua. Antes de comprar, asegúrese de que una válvula del tipo silla cumpla con sus códigos de plomería locales.

**NOTA:** no debería utilizarse la válvula de agua auto-perforada de asiento.

# CONEXIÓN DE LA LÍNEA DE AGUA

## INSTRUCCIONES DE INSTALACIÓN

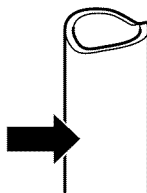
Instale la válvula de cierre en la línea de agua potable usada más frecuentemente y más próxima.

### 1. CORTE DEL SUMINISTRO PRINCIPAL DE AGUA

Abra la llave más próxima para liberar la presión en la línea.

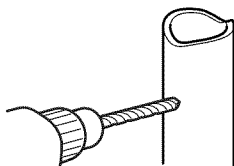
### 2. ELIJA LA UBICACIÓN DE LA VÁLVULA

Elija una ubicación para la válvula que sea fácilmente accesible. Es mejor conectar dentro del lado de un tubo de agua vertical. Cuando sea necesario conectar dentro de un tubo de agua horizontal, haga la conexión en la parte superior o lateral, más que en la base, para evitar la aspiración de cualquier sedimento del tubo de agua.



### 3. PERFORACIÓN DEL AGUJERO PARA LA VÁLVULA

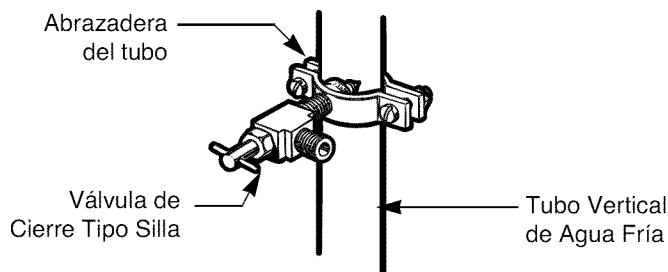
Taladre un agujero de 1/4" en la tubería de agua usando una broca filosa. Limpie cualquier polvillo resultante de la perforación del agujero en la tubería. Cuide de no permitir que el agua moje el taladro. El no hacer un agujero de 1/4" puede resultar en una producción disminuida de hielo o en cubos más pequeños.



**NOTA:** La línea de conexión no puede ser de plástico blanco. Los técnicos en fontanería sólo deben emplear tuberías de cobre, tuberías NDA n° 49595 ó 49599, o tuberías de polietileno reticulado (PEX).

### 4. INSTALE LA VÁLVULA DE CIERRE

Asegure la válvula de cierre al tubo de agua fría con la abrazadera del tubo.

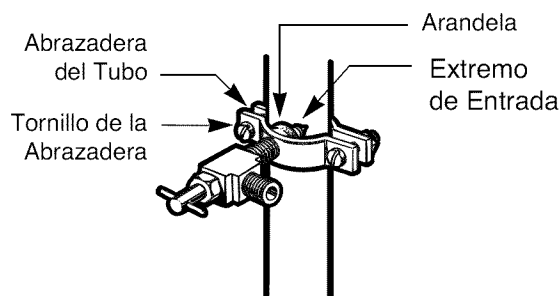


**NOTA:** Conforme a los Códigos de Plomería de la Commonwealth of Massachusetts 248CMR. Las válvulas de silla son ilegales y el uso no es permitido en Massachusetts. Consulte con su plomero autorizado.

### 5. APRIETE LA ABRAZADERA DEL TUBO

Apriete los tornillos de la abrazadera hasta que la arandela de sellamiento comience a engrosar.

**NOTA:** No apriete de más o Ud. puede aplastar la tubería.



### 6. ENRUTE LA TUBERÍA

Dirija la tubería entre la línea de agua fría y el refrigerador.

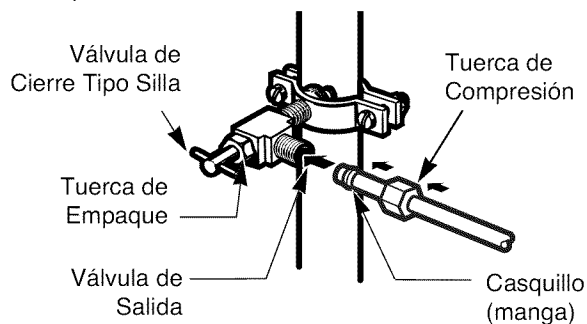
Dirija la tubería a través de un agujero perforado en la pared o en el piso (detrás del refrigerador o del gabinete de base adyacente) tan cerca de la pared como sea posible.

**NOTA:** Asegúrese de que haya suficiente tubería extra (unos 8 pies enrollados en 3 vueltas de unas 10" de diámetro) para que el refrigerador se pueda mover lejos de la pared después de la instalación.

### 7. CONECTE LA TUBERÍA A LA VÁLVULA

Coloque la tuerca de compresión y el casquillo (manga) para la tubería de cobre en el extremo de la tubería y conéctelo a la válvula de cierre.

Asegúrese de que la tubería esté completamente insertada en la válvula. Apriete la tuerca de compresión firmemente.



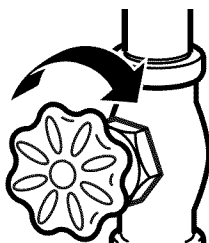
**NOTA:** Conforme a los Códigos de Plomería de la Commonwealth of Massachusetts 248CMR. Las válvulas de silla son ilegales y el uso no es permitido en Massachusetts. Consulte con su plomero autorizado.

## CONEXIÓN DE LA LÍNEA DE AGUA

### 8. ENJUAGUE LA TUBERÍA

Abra el suministro de agua principal y deje correr el agua en la tubería hasta que el agua esté clara.

Cierre el suministro de agua en la válvula de agua después de que aproximadamente un cuarto de agua haya recorrido a través de la tubería.



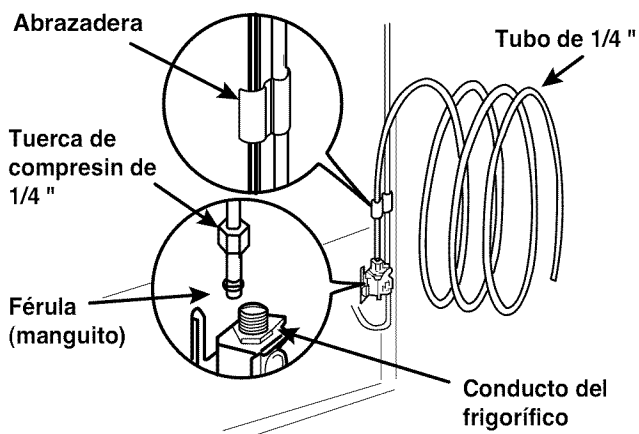
### 9. CONECTAR LA TUBERÍA AL REFRIGERADOR

#### NOTA:

• Antes de hacer la conexión al refrigerador, asegúrese de que el cable eléctrica del refrigerador está desconectada de la toma eléctrica.

1. Retire la cubierta de plástico flexible de la válvula de agua.
2. Coloque la tuerca de compresión y la férula (manguito) en el extremo del tubo como se muestra.
3. Introduzca el extremo del tubo de cobre en el conducto hasta donde sea posible. Apriete la abrazadera mientras sujeta el tubo.

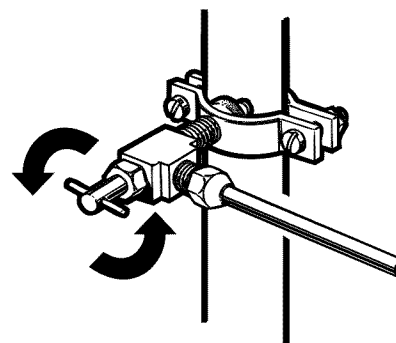
▲ **PRECAUCIÓN:** Controle si la unidad pierde agua en las juntas de la tubería de agua.



▲ **PRECAUCIÓN:** Controle si la unidad pierde agua en las juntas de la tubería de agua.

### 10. ABRA EL AGUA EN LA VÁLVULA DE CIERRE

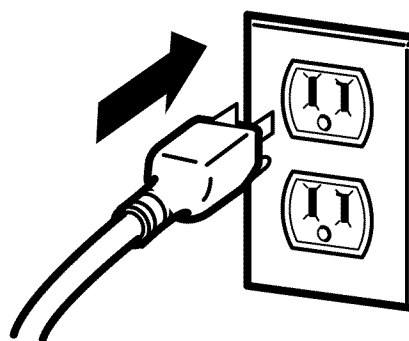
Apriete cualquier conexión que tenga goteo.



### 11. CONECTE EL REFRIGERADOR

Coloque el rollo de tubería de forma que no vibre contra el respaldo del refrigerador o contra la pared.

Empuje el refrigerador hacia la pared.



### 12. INICIAR LA MÁQUINA DE HACER HIELO

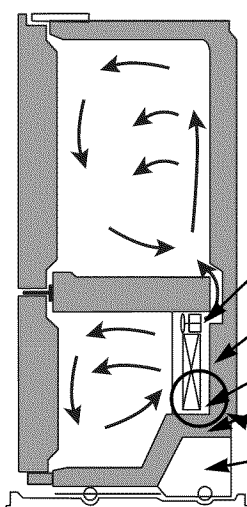
Configure el interruptor de la máquina de hacer hielo en la posición **On (I)**.

**NOTA:** Pueden ser necesarias varias horas hasta que un frigorífico recién instalado comience a producir hielo.

## GUÍA PARA LOCALIZACIÓN DE PROBLEMAS

### ENTENDIENDO LOS SONIDOS QUE UD. PUEDE OÍR

Su nuevo refrigerador puede hacer sonidos que su aparato anterior no hacía. Puesto que los sonidos son nuevos para usted, podría estar preocupado sobre ellos. La mayoría de los nuevos sonidos son normales. Las superficies duras, como el piso, paredes y gabinetes, pueden hacer que los sonidos parezcan más fuertes de lo que realmente son. La siguiente lista describe los tipos de sonidos y lo que puede hacerlos.




- Oirá un sonido de un clic del control electrónico durante el encendido y apagado del sistema de refrigeración.
- Los ruidos de cascabeles pueden provenir del flujo del refrigerante, de la línea de agua, o de artículos guardados en la parte superior del refrigerador.
- Su refrigerador está diseñado para funcionar más eficientemente para guardar alimentos a la temperatura deseada. El compresor de alta eficiencia puede hacer con que su nuevo refrigerador funcione más ya que el anterior, pero es aún más eficiente de energía que los modelos anteriores. Mientras se ejecuta, puede escuchar un vibrante o sonido agudo, esto es normal.
- Usted puede oír el motor del ventilador del evaporador circulando el aire en el refrigerador y los compartimentos del congelador.
- Conforme cada ciclo termine, usted puede oír un sonido de gorgoteo debido al refrigerante que fluye en su refrigerador.
- La contracción y expansión de las paredes interiores puede causar un sonido de ¡pop!.
- El goteo de agua en el calentador del descongelador durante un ciclo de descongelamiento puede causar un sonido de chirrido.
- Usted puede oír el aire que está siendo forzado sobre el condensador por el ventilador del condensador.
- Usted puede oír el agua que corre a la bandeja de drenado durante el ciclo de descongelamiento.
- Puede oírse un sonido procedente del ventilador del compartimento del hielo del congelador o del lado izquierdo del frigorífico cuando se abren las puertas.

### EL REFRIGERADOR NO FUNCIONA

Verifique si...

Luego...

El cable de suministro de energía está desconectado.	Conecte firmemente el cable en un receptáculo que funcione con el voltaje apropiado.
Un fusible de la casa se ha fundido o el interruptor de circuito se disparó.	Reemplace el fusible o reinicie el interruptor de circuito. Compruebe que el circuito de la vivienda no esté sobrecargado.
El refrigerador está en el ciclo de descongelar.	Espere unos 30 minutos para que el ciclo de descongelamiento termine.
El frigorífico está en el modo de demostración para ventas. 	El control del frigorífico se ha establecido en el modo Demo (Demostración) para exposición en tiendas. El modo de demostración desactiva el sistema de refrigeración, funcionando con normalidad únicamente las luces y la pantalla de visualización. Para desactivarlo, abra una puerta y presione simultáneamente los botones <b>Ultra Ice</b> y <b>Refrigerator Temp</b> durante 5 segundos. Al desactivar el modo Demo, podrá ver su ajuste de valores previo en la pantalla de visualización.

## GUÍA PARA LOCALIZACIÓN DE PROBLEMAS

### LAS LUCES NO FUNCIONAN

#### Verifique si...

#### Luego...

El cable de suministro de energía está desconectado.	Conecte firmemente el cable en un receptáculo que funcione con el voltaje apropiado.
El foco de la luz está flojo en la boquilla.	Desenchufe el frigorífico. Retire suavemente el foco y reinsértelo. Luego conecte el refrigerador y reinicie el control del refrigerador.
El foco de la luz se ha quemado.	Reemplace con un foco para electrodomésticos de los mismos vatios, tamaño y forma disponible en su ferretería local. (Vea la sección <b>Cómo Cambiar los Focos</b> en las páginas 78-79). Desenchufe el frigorífico antes de la sustitución.

### VIBRATION OR RATTLING NOISE

#### Verifique si...

#### Luego...

El refrigerador no está descansando sólidamente sobre el piso.	El piso está débil o desnivelado o las patas de nivelación necesitan ajuste. Vea la sección <b>Instalación</b> en la páginas 56, 63.
--	--

### EL COMPRESOR PARECE FUNCIONAR DEMASIADO

#### Verifique si...

#### Luego...

El refrigerador que fue reemplazado era un modelo más viejo.	Los refrigeradores modernos con más espacio de almacenamiento requieren más tiempo para operación. <b>Aunque el este frigorífico puede funcionar más que el que usted tenía anteriormente, utiliza menos energía.</b>
La temperatura de la habitación es más calurosa que lo normal.	El motor funcionará más tiempo bajo condiciones de calor. A temperaturas de habitación normales, espere que su motor funcione entre 40 y 80% del tiempo. Bajo condiciones de más calor, espere que funcione con más frecuencia.
La puerta está abierta con frecuencia o una gran cantidad de alimento ha sido agregada.	Agregar alimentos y abrir la puerta calienta el refrigerador. Es normal para el refrigerador funcionar más tiempo con objeto de enfriar el refrigerador a la temperatura anterior. Vea a la sección <b>Guía de Almacenamiento de Alimentos</b> en la página 68. Con objeto de conservar la energía, trate de obtener todo lo que usted necesita del refrigerador de una sola vez, mantenga el alimento organizado de forma que sea fácil de encontrar y cierre la puerta tan pronto como el alimento sea retirado.
El refrigerador fue recientemente conectado y el control del refrigerador estaba ajustado correctamente.	El refrigerador tarda unas 24 horas en enfriarse completamente.
El control del refrigerador no está correctamente ajustado para las condiciones prevaletientes.	Vea la sección <b>Ajuste de Controles</b> en la página 67.
Las puertas no están cerradas por completo.	Empuje las puertas firmemente para que cierren bien. Si no cierran completamente, vea Las puertas no cerrarán completamente a continuación.
La cubierta trasera está sucia.	Una tapa trasera sucia evita la transferencia de aire y hace que el motor trabaje más. Limpie la cubierta trasera. Consulte la sección <b>Cuidado y Limpieza</b> en la página 78-79.

## GUÍA PARA LOCALIZACIÓN DE PROBLEMAS

### LAS PUERTAS NO CIERRAN COMPLETAMENTE

Verifique si...

Luego...

El refrigerador no está nivelado.	Vea <b>Nivelación y Alineamiento de la Puerta</b> en la página 63.
Los paquetes de alimentos están bloqueando la apertura de la puerta.	Vuelva a colocar los recipientes de alimentos para liberar la puerta y los compartimentos de la puerta.
El recipiente del hielo, la cubierta del recipiente, charolas, anaqueles, compartimentos de la puerta o canastas están fuera de su lugar.	Coloque todos los recipientes bien adentro y ponga la cubierta del recipiente, cazuelas, anaqueles y canastas en sus posiciones correctas. Use la sección <b>Usando Su Refrigerador</b> en las páginas 64-68.
Los empaques están pegajosos.	Limpie las juntas y las superficies con las que hacen contacto. Aplique una fina capa de cera abrillantadora o de cocina en las juntas tras su limpieza.
El refrigerador se bambolea o parece inestable.	Nivele el refrigerador. Refiérase a la sección <b>Nivelación y Alineamiento de Puerta</b> en la página 63.
Las puertas fueron retiradas durante la instalación del producto y no fueron colocadas nuevamente en su lugar apropiadamente.	Retire y reemplace las puertas de acuerdo a la sección <b>Cómo Retirar la Puerta del Refrigerador y Cómo Volver a Colocar Puertas y Jaladeras del Refrigerador</b> en las páginas 57-62, o llame a un técnico de servicio calificado.

### CRISTALES DE ESCARCHA O HIELO EN ALIMENTOS CONGELADOS

Verifique si...

Luego...

La puerta no está cerrando adecuadamente.	Vea <b>Las puertas no cerrarán completamente</b> arriba.
La puerta es abierta con frecuencia.	Cuando la puerta es abierta, se permite el aire húmedo, caliente en el congelador, resultante en escarcha.

### MAL OLOR O SABOR DEL HIELO

Verifique si...

Luego...

La fábrica de hielo fue instalada recientemente.	Deseche los primeros cubitos de hielo para evitar el hielo decolorado o de mal sabor.
El hielo ha estado almacenado demasiado tiempo.	Tire el hielo viejo y haga nuevo.
El alimento no ha sido envuelto herméticamente en algún compartimiento	Vuelva a envolver los alimentos puesto que los olores pueden migrar al hielo si el alimento no está bien envuelto.
El suministro de agua contiene minerales tales como azufre.	Puede ser necesario instalar un filtro (o reemplazarlo) para eliminar el problema de olor y sabor.
El interior del refrigerador necesita limpieza.	Vea la sección <b>Cuidado y Limpieza</b> en las páginas 78-79.
El recipiente de almacenaje de hielo necesita limpieza.	Vacíe y lave el recipiente. Tire los hielos viejos.

### HAY AGUA EN LA CHAROLA DE DRENADO DEL DESCONGELADOR

Verifique si...

Luego...

La temperatura del congelador es suficientemente fría para producir hielo.	El agua se evaporará. Es normal que el agua gotee en la charola de descongelamiento.
Se dejó abierta la puerta.	Espere que el agua en la charola de descongelamiento se tardará más en evaporar. Esto es normal cuando hace calor o humedad.

## GUÍA PARA LOCALIZACIÓN DE PROBLEMAS

### EL REFRIGERADOR PARECE HACER DEMASIADO RUIDO

Verifique si...

Luego...

Los sonidos pueden ser normales para su refrigerador.	Refiérase a la sección <b>Entendiendo los Sonidos que Usted Puede Oír</b> en la página 85.
---	--

### LA MÁQUINA PARA HIELO NO PRODUCE HIELO O NO PRODUCE SUFICIENTE HIELO.

Verifique si...

Luego...

Nueva instalación.	Espere 24 horas después de la instalación de la máquina de hielo para que se inicie la producción de hielo. Espere 72 horas para plena producción de hielo.
El frigorífico no está conectado a una toma de agua o la llave de paso no está abierta.	Conecte el frigorífico a la toma de agua y abra completamente la llave de paso.
El sistema de filtración de agua por ósmosis inversa está conectado al suministro de agua fría.	Los sistemas de filtración de ósmosis inversa pueden reducir la presión del agua por debajo de la cantidad mínima (40 psi) y causar problemas en la producción de hielo.
Doblez en la línea de suministro de agua.	Un doblez en la línea puede reducir el flujo de agua. Enderece la línea de suministro de agua.
Se ha sacado una gran cantidad de hielo recientemente.	Espere 24 horas para que la máquina de hielo produzca más hielo. <b>NOTA:</b> Se incluye un recipiente de hielo extra en la sección del congelador para poder almacenar más hielo.
La cubitera no está encendida.	Localice el interruptor on/off de la máquina de hielo y confirme que esté en la posición On (I).
Hay algo en el sensor de la cubitera.	Las sustancias extrañas o la escarcha en el sensor de detección de hielo pueden interrumpir la producción de hielo. Asegúrese de que el área del sensor esté limpia en todo momento para garantizar un correcto funcionamiento.
La temperatura seleccionada para el congelador es demasiado alta.	La temperatura recomendada para que el compartimento del congelador fabrique hielo con normalidad será inferior a 0°F. Si la temperatura del congelador es más alta, se verá afectada la producción de hielo.
Se abren frecuentemente las puertas.	Si se abren frecuentemente las puertas de la unidad, el aire frío se escapará, lo que impedirá que la unidad mantenga la temperatura establecida. Puede ayudar bajar la temperatura, así como no abrir la puerta tan frecuentemente.
No se han cerrado las puertas correctamente.	Si no se han cerrado las puertas correctamente, se verá afectada la producción de hielo.
La puerta del compartimento de hielo no está bien cerrada.	Si no se ha cerrado la puerta del compartimento del hielo correctamente, se verá afectada la producción de hielo. Asegúrese de cerrar correctamente la puerta del compartimento del hielo.
No se ha seleccionado la opción Ultra Ice.	Con esta opción, aumenta el aire frío en el compartimento, así como la producción de hielo.




## GUÍA PARA LOCALIZACIÓN DE PROBLEMAS

### NO DISPENSA HIELO

Verifique si...

Luego...

<b>Todas las puertas están completamente cerradas.</b>	No se dispensará hielo si alguna de las puertas del frigorífico permanece abierta.
<b>El display del dispensador está bloqueado.</b>	Mantenga pulsado Lock (  ) durante 3 segundos para desbloquear el panel de control y el dispensador.
<b>No se ha seleccionado hielo en el dispensador.</b>	El suministro puede establecerse para hielo o para agua. Asegúrese de que el panel de control está establecido en la operación adecuada. Presione el botón de suministro en el panel de control para ciclar entre las opciones de hielo y de agua. Una vez establecido en hielo, suministrará hielo. Si en agua, suministrará agua.
<b>No se usa el dispensador de hielo con frecuencia.</b>	El uso poco frecuente del suministro de hielo provocará que con el tiempo los cubos se peguen juntos, lo que impedirá un suministro adecuado. Verifique si hay cubos de hielo acumulándose y pegándose juntos en la charola para hielos. Compruebe si hay cubitos atascados en el recipiente del hielo. En caso afirmativo, rompa los cubitos de hielo para permitir un correcto funcionamiento.
<b>El depósito de hielo no está correctamente instalado.</b>	Instale el recipiente del hielo correctamente en su posición.
<b>Nueva instalación.</b>	Espere 24 horas después de la instalación de la máquina de hielo para que inicie la producción de hielo. Espere 72 horas para una plena producción de hielo.
<b>Los cubitos de hielo se atascan en el conducto.</b>	Use un utensilio de plástico para limpiar la rampa de suministro.
<b>El suministro de hielo se está atorando mientras suministra hielo picado.</b>	Cambie el botón de hielo de “crushed” (picado) a “cubes” (cubos). Si se suministran cubos adecuadamente, presione el botón para hielo picado y empiece a suministrar nuevamente.

### DISPENSACIÓN DE AGUA TEMPLADA

Verifique si...

Luego...


<b>Nueva instalación.</b>	Deje transcurrir 24 horas después de la instalación para que el suministro de agua se enfríe completamente.
<b>Se ha utilizado recientemente el dispensador de agua.</b>	La unidad tiene su propio depósito de agua en el interior. La capacidad de almacenaje de agua es de 12 oz. (345 ml) de agua fría.
<b>El frigorífico se ha conectado a una toma de agua caliente.</b>	Asegúrese que el refrigerador esté conectado a una tubería de agua fría.

## GUÍA PARA LOCALIZACIÓN DE PROBLEMAS

### NO SE DISPENSA AGUA

Verifique si...

Luego...

<b>El panel del dispensador está bloqueado.</b>	Mantenga pulsado Lock (  ) durante 3 segundos para desbloquear el panel de control y el dispensador.
<b>Nueva instalación.</b>	Enjuague y llene el sistema de agua.
<b>Las puertas del refrigerador o congelador no se han cerrado correctamente.</b>	No se dispensará agua si alguna de las puertas del frigorífico permanece abierta.
<b>El frigorífico no está conectado a una toma de agua o la llave de paso no está abierta.</b>	Conecte el frigorífico a la toma de agua y abra completamente la llave de paso.
<b>La presión del agua es inferior a 40 psi.</b>	La presión del agua de la vivienda afecta al flujo del dispensador.
<b>Se usa un filtro doméstico o un sistema de ósmosis inversa.</b>	Esto puede reducir la presión del agua. Se recomienda no conectar la toma de agua a un sistema de ósmosis inversa para lograr un funcionamiento óptimo.
<b>No se ha ajustado el dispensador para que dispense agua.</b>	El dispensador se puede ajustar para hielo o agua. Asegúrese de seleccionar la opción correcta en el panel de control. Pulse el botón del dispensador del panel de control para elegir las opciones de hielo y agua.
<b>Es necesario cambiar el filtro del agua.</b>	Cambie el filtro cada 6 meses, o con mayor frecuencia, dependiendo del uso. El filtro puede obstruirse con el tiempo debido a la acumulación de partículas extrañas y reducir la presión del agua.

### LAS PUERTAS ABREN CON DIFICULTAD

Verifique si...

Luego...

Los empaques están sucios o pegajosos.	Limpie los empaques y las superficies que tocan. Frote un paño delgado de pulimento para aparatos domésticos o cera de cocina en los empaques después de limpiar.
La puerta es reabierta en un corto tiempo después de haber sido abierta	Cuando usted abre la puerta, el aire más caliente entra al refrigerador. Conforme el aire caliente se enfría, puede crear un vacío. Si es difícil abrir la puerta, espere 5 minutos para permitir que la presión del aire se iguale, luego vea si se abre más fácilmente.

## GUÍA PARA LOCALIZACIÓN DE PROBLEMAS

### LA TEMPERATURA ES DEMASIADO CALIENTE O HAY ACUMULACIÓN DE HUMEDAD

**Verifique si...**

**Luego...**

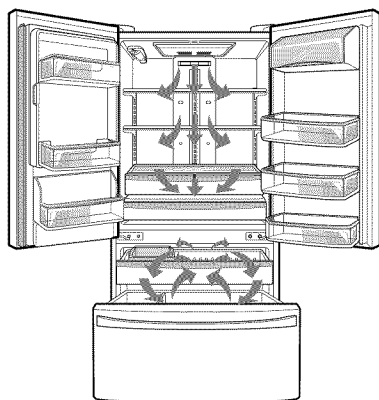
Las ventilas de aire están bloqueadas. El aire frío circula desde el congelador a la sección de frutas frescas y de regreso a través de los ventilas de aire que dividen las 2 Secciones.	Ubique las ventilaciones de aire usando su mano para sentir el flujo de aire y mueva todos los paquetes que bloqueen las ventilas y restrinjan el flujo de aire. (véase esquema de flujo de aire más adelante).
Las puertas son abiertas con frecuencia.	Cuando la puerta es abierta, se permite la entrada de aire húmedo tibio en el refrigerador. Entre más se abre la puerta, más rápidamente la humedad se deposita, y más aire tibio tiene que enfriar el refrigerador. Con objeto de mantener frío el refrigerador, trate de sacar todo lo que necesita del refrigerador a la vez, mantenga el alimento organizado de manera que sea fácil de encontrar y cierre la puerta tan pronto como el alimento sea retirado.
El control no está actualmente fijado para las condiciones del lugar.	Refiérase a la sección <b>Configurando los Controles</b> en la página 64. Espere 24 horas para que se estabilicen las temperaturas. Si la temperatura es demasiado alta o demasiado baja, cambie el ajuste un incremento cada vez.
Una gran cantidad de alimento ha sido apenas agregado al refrigerador o congelador.	Añadir alimentos calienta el refrigerador. Puede tomarle varias horas para que regrese a la temperatura normal.
El alimento no está empacado correctamente.	Envuelva los alimentos herméticamente y seque los recipientes húmedos antes de almacenarlos en el refrigerador para evitar acumulación de humedad. Si es necesario, vuelva a empacar los alimentos de acuerdo a los lineamientos en la sección <b>Guía de Almacenamiento de Alimentos</b> en la página 68.
Las puertas no están cerrando completamente.	Vea <b>Las puertas no cierran completamente</b> en la página 87.
El clima es húmedo.	En clima húmedo, el aire transporta humedad al refrigerador cuando las puertas están abiertas.
Un ciclo de auto-descongelación se terminó.	Es normal que se formen gotas en la pared trasera después de que el refrigerador se auto-descongele.

### EL INTERIOR DEL FRIGORÍFICO ESTÁ CUBIERTO DE POLVO U HOLLÍN

**Verifique si...**

**Luego...**

El frigorífico se encuentra cerca de un fuego, por ejemplo, una chimenea o similar.	Asegúrese de que el frigorífico no se encuentre cerca de un fuego, por ejemplo, una chimenea o similar.
---	---







## TABLE DES MATIÈRES

<b>Version en français</b>	<b>94</b>	Modular Door Bin (Casiers Modulaires de Porte)	118
<b>Garantie</b>	<b>95</b>	Compartiment à produits laitiers	118
<b>Accords De Protection</b>	<b>96</b>	<b>► COMPARTIMENT CONGÉLATEUR</b>	
<b>Mesures de sécurité</b>	<b>97-99</b>	Bac a glace supplementaire	118
<b>Spécifications pour la mise à la terre</b>	<b>99</b>	Durabase	119
<b>Composants et fonctions</b>	<b>100</b>	Cloison du Durabase	119
<b>Installation du réfrigérateur</b>	<b>101-109</b>	Tiroir de dégagement	119
Déballage du réfrigérateur	101	<b>FILTRE à eau</b>	<b>120-123</b>
Installation	102	<b>Entretien et nettoyage</b>	<b>124-125</b>
Extraction et réinstallation des portes et des poignées de votre réfrigérateur	103-108	Conseils pour le nettoyage général	124
Nivellement et alignement de la porte	109	Extérieur	124
Couvercle de la base	109	Parois intérieures	124
<b>Utilisation de votre réfrigérateur</b>	<b>110-119</b>	Contre-porte et paniers de la porte	124
Réglage des commandes	110-111	Pièces en plastique	124
Bac à glaçons intérieur	112	Serpentin	124
Réglage de la configuration des commandes	113	Remplacement d'éclairage	124-125
Guide pour le stockage d'aliments	114	Pannes d'électricité	125
Stockage d'aliments congelés	114-115	Si vous partez en vacances	125
<b>► COMPARTIMENT RÉFRIGÉRATEUR</b>		Quand vous déménagez	125
Distributeur de l'eau	115	<b>À propos de la machine à glaçons automatique</b>	<b>126-127</b>
Les tablettes du réfrigérateur	116	<b>Connexion du conduit d'eau</b>	<b>128-130</b>
Contrôle d'humidité des bacs à légumes	117	<b>Guide de dépannage</b>	<b>131-137</b>
Enlèvement des bacs a legumes	117		
Tiroir garde-manger a temperature controlee	117		



## GARANTIE RÉFRIGÉRATEUR CONGÉLATEUR EN BAS

### Garantie limitée de Kenmore Elite

En cas d'installation, d'utilisation et d'entretien conformes à l'ensemble des instructions fournies avec le produit, si l'une des pièces non consommables autre que le système réfrigérant scellé connaît une défaillance due à un défaut matériel ou de fabrication dans l'année suivant la date d'achat, appelez le 1-800-4-MY-HOME® pour obtenir une réparation gratuite.

Cette garantie n'est valable que 90 jours à partir de la date d'achat si cet appareil est utilisé à des fins autres que domestiques.

Si le système réfrigérant scellé s'avère défectueux dans les cinq ans suivant la date d'achat, appelez le 1-800-4-MY-HOME® pour obtenir une réparation gratuite. Cette garantie n'est valable qu'un an à partir de la date d'achat si cet appareil est utilisé à des fins autres que domestiques.

### **Cette garantie couvre uniquement les défauts matériels et de fabrication. Sears ne prendra PAS en charge :**

1. Les éléments consommables qui peuvent s'user dans des conditions d'utilisation normales, y compris et sans s'y limiter les filtres, les courroies, les ampoules et les sacs ;
2. L'intervention d'un technicien concernant l'installation, l'utilisation et l'entretien corrects du produit ;
3. L'intervention d'un technicien concernant le nettoyage ou l'entretien du produit ;
4. L'endommagement ou la panne du produit en cas d'installation, d'utilisation ou d'entretien non conformes à l'ensemble des instructions fournies avec le produit ;
5. L'endommagement ou la panne du produit suite à un accident, une utilisation abusive, une mauvaise utilisation ou une utilisation à des fins autres que celles prévues ;
6. L'endommagement ou la panne du produit suite à l'utilisation de détergents, produits nettoyants, produits chimiques ou outils autres que ceux recommandés dans les instructions fournies avec le produit ;
7. L'endommagement ou la panne du produit suite à l'apport de modifications non autorisées au produit.

### **Clause d'exonération de responsabilité au titre des garanties implicites ; limitation des recours**

Le recours unique et exclusif du client dans le cadre de la présente garantie limitée consiste en la réparation du produit prévue ci-dessus. Les garanties implicites, y compris les garanties applicables de qualité marchande et d'aptitude à un usage particulier, sont limitées à un an ou à la plus courte période autorisée par la loi. Sears n'assume aucune responsabilité pour les dommages fortuits ou indirects. Certaines juridictions ne permettent pas l'exclusion ou la limitation des dommages fortuits ou Indirects, ou les limitations de la durée des garanties implicites de qualité marchande ou d'aptitude à un usage particulier, de sorte que ces exclusions ou limitations peuvent ne pas s'appliquer dans votre cas.

Cette garantie ne s'applique que si l'appareil est utilisé aux Etats-Unis ou au Canada.

Cette garantie vous confère des droits juridiques spécifiques et vous pouvez également jouir d'autres droits qui peuvent varier d'une juridiction à une autre.

**Sears Brands Management Corporation, Hoffman Estates, IL 60179**

**Sears Canada Inc., Toronto, Ontario, Canada M5B 2B8**

## ACCORDS DE PROTECTION

### Contrat de protection supérieure

Nous vous félicitons d'avoir fait un excellent achat. Votre produit Kenmore est conçu et fabriqué pour vous donner des années de fonctionnement fiable. Cependant, comme tout produit, il peut nécessiter un entretien préventif ou des réparations de temps en temps.

C'est alors que votre Contrat de protection supérieure peut vous faire économiser de l'argent et des énervements. Le Contrat de protection supérieure vous aide également à prolonger la vie de votre nouveau produit. Voici ce que couvre ce contrat de garantie :

- Les pièces et la main-d'oeuvre nécessaires pour que votre appareil continue à bien fonctionner à un usage normal, et pas juste les vices de pièces et de main-d'oeuvre. Notre couverture dépasse largement la garantie du produit. Pas de franchise, pas de panne fonctionnelle exclues de notre couverture – une protection réelle.
- Un service expert par une force de plus de 10 000 techniciens de service Sears autorisés, ce qui signifie que la personne qui s'occupera de votre appareil sera pleinement qualifiée.
- Un nombre illimité d'appels de service et un service national, aussi souvent que vous le désirez, partout où vous le désirez.
- Une garantie "pas citron" – nous remplacerons le produit couvert si quatre pannes ou plus se produisent pendant les premiers douze mois.
- Le remplacement du produit si le produit couvert ne peut être réparé.
- Une vérification d'entretien préventif chaque année si vous la demandez – gratuitement.
- Une aide rapide par téléphone – un soutien par téléphone d'un représentant de Sears pour tous nos produits. Vous pouvez nous considérer comme un manuel parlant du propriétaire.

- Une protection contre les sautes de puissance en cas de dommage électrique dû à des fluctuations de puissance électrique.
- 250 \$ de protection en cas de perte d'aliments chaque année, pour toute perte d'aliments si cette perte est due à une panne mécanique de tout réfrigérateur ou congélateur couvert.
- Le remboursement d'une location si la réparation de votre produit couvert prend plus de temps que prévu.
- 10% d'escompte sur le prix normal de toute réparation non couverte et de toutes les pièces installées connexes.

Quand vous aurez souscrit à ce contrat, il vous suffira de donner un simple coup de téléphone pour obtenir notre service. Vous pouvez appeler n'importe quand, jour et nuit, ou obtenir un rendez-vous en ligne à l'Internet.

Le Contrat de garantie supérieure est un achat sans risque. Vous pouvez l'annuler pour n'importe quelle raison pendant la période de garantie du produit, et nous vous rembourserons complètement. Ou bien, nous vous rembourserons proportionnellement au temps restant après l'expiration de la garantie. Achetez aujourd'hui votre contrat de garantie supérieure!

**Certaines limites et exclusions s'appliquent.**

**Pour obtenir les prix et des renseignements additionnels, aux États-Unis, appelez le 1-800-827-6655.**

**\* La couverture au Canada varie sur certains articles. Pour de plus amples renseignements, appelez au Canada le 1-800-361-6665.**

#### Service d'installation Sears

Pour une installation professionnelle d'un appareil électroménager, d'un mécanisme d'ouverture de porte de garage, d'un appareil de chauffage d'eau ou de tout article ménager majeur de Sears, aux États-Unis ou au Canada, appelez le **1-800-4-MY-HOME®**.

## ENREGISTREMENT DU PRODUIT

Dans l'espace ci-dessous, noter la date d'achat, les numéros de modèle et de série du produit. Les numéros de modèle et de série sont imprimés sur la plaque signalétique du côté droit du compartiment du réfrigérateur. Avoir ces informations disponibles au moment de communiquer avec Sears concernant ce produit.

N° de modèle \_\_\_\_\_

Date d'achat \_\_\_\_\_

N° de série \_\_\_\_\_

Conserver ces instructions et la facture à des fins de références.



# INSTRUCTIONS DE SÉCURITÉ IMPORTANTES

## PRÉCAUTIONS DE SÉCURITÉ DE BASE

Ce manuel contient plusieurs messages de sécurité importants. Lisez et obéissez toujours tous les messages de sécurité.



Celui-ci est le symbole d'un avis de sécurité. Il vous avertit sur des messages de sécurité vous signalant des risques de mort ou de blessures pour vous ou pour d'autres personnes ou bien sur des risques d'endommager le produit.

Tous les messages de sécurité seront précédés du symbole d'avertissement et des mots DANGER, AVERTISSEMENT ou ATTENTION. Ces mots indiquent :

 **DANGER**

Vous **serez** mort ou gravement blessé si vous ne suivez pas ces instructions.

 **AVERTISSEMENT**

Vous **pouvez** être mort ou gravement blessé si vous ne suivez pas ces instructions.

 **ATTENTION**

Signale des situations dangereuses, sinon interdites, **pouvant** provoquer des blessures peu importantes ou endommager uniquement le produit.

Tous les messages de sécurité identifient le risque, vous disent comment réduire les chances de vous blesser et vous racontent ce qui se passe si les instructions ne sont pas respectées.

## AVERTISSEMENT

**Pour réduire tout risque d'incendie, de décharge électrique (électrocution) ou de blessure en utilisant votre produit, vous devez respecter les précautions de sécurité d'usage, y compris ce qui suit.**

**Lisez toutes les instructions avant d'utiliser cet appareil.**

- Ne débranchez JAMAIS votre réfrigérateur en tirant du câble d'alimentation. Saisissez toujours fermement la fiche et bien la débrancher de la prise de courant.
- Réparez ou remplacez immédiatement tout cordon d'alimentation devenu effiloché ou endommagé d'une autre manière. N'utilisez pas de cordons montrant des fissures ou des marques d'abrasion dans sa longueur ou dans la fiche ou l'extrémité du connecteur.
- Ne pas prolonger ou modifier la longueur du câble d'alimentation. Cela risquerait d'entraîner un choc électrique ou un incendie.
- Lorsque vous éloignez l'appareil du mur, assurez-vous de ne pas le faire rouler sur le cordon d'alimentation ou de ne pas l'abîmer autrement.

- N'emmagasinez ni n'utilisez de l'essence ou d'autres liquides ou gaz inflammables près de cet appareil ou de n'importe quel autre appareil.
- Ne permettez pas aux enfants de grimper, s'asseoir, se mettre debout ni de se pendre à la porte centrale du réfrigérateur. Ils pourraient abîmer le réfrigérateur et subir des blessures graves.
- Maintenez vos doigts loin des zones des points de pincement; les espaces entre les portes et le boîtier étant nécessairement minuscules. Veillez à fermer les portes lorsqu'il y a des enfants dans les alentours.
- Débranchez votre réfrigérateur avant de procéder à toute opération de nettoyage ou réparation.  
**REMARQUE:** Nous recommandons vivement que toute réparation soit effectuée par une personne qualifiée.

## CONSERVER CES INSTRUCTIONS

## ⚠ AVERTISSEMENT

- Avant de remplacer une ampoule d'éclairage brûlée, débranchez le réfrigérateur ou déplacez le disjoncteur ou le fusible sur la position arrêt afin d'éviter le contact avec le filament d'un fil sous tension. (Une ampoule d'éclairage brûlée peut se casser lorsqu'elle est remplacée.)  
**REMARQUE:** Certains modèles sont dotés d'un éclairage intérieur DEL. L'entretien ne devrait être réalisé que par un technicien qualifié.  
**REMARQUE:** Même si vous réglez un interrupteur ou les deux interrupteurs sur la position Arrêt, cela ne met pas le circuit de la lampe hors tension.
- Une fois terminé, rebrancher le réfrigérateur et reconfigurer les commandes (thermostat, commande du réfrigérateur et/ou commande du congélateur, selon le modèle) au réglage désiré.
- Ce réfrigérateur doit être correctement installé en respectant les Instructions pour l'installateur qui sont collées sur la façade du réfrigérateur.
- Dès que votre réfrigérateur est en marche, ne touchez pas aux surfaces froides du compartiment du congélateur si vos mains sont humides ou mouillées. Votre peau pourrait s'adhérer à ces surfaces extrêmement froides.
- Évitez le contact avec les pièces mobiles du mécanisme d'éjection ou avec l'élément chauffant qui libère les glaçons dans les réfrigérateurs à machine à glaçons automatique. Ne placez pas vos doigts ou vos mains dans le mécanisme automatique de la machine à glaçons alors que le réfrigérateur est branché.

- Ne congelez pas de nouveau les aliments qui se sont complètement dégelés. Le Ministère de l'Agriculture des États-Unis dit, dans son bulletin n° 69:

...Vous pouvez, en toute sécurité, congeler de nouveau des aliments congelés qui se sont dégelés s'ils contiennent encore des cristaux de glace ou qu'ils sont encore froids—au-dessous de 40°F (4°C).

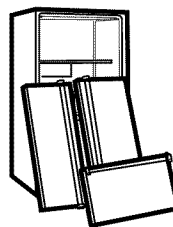
...La viande hachée, la volaille ou le poisson dégelés ayant une odeur ou une couleur anormales ne doivent être ni congelés de nouveau ni mangés. La crème glacée fondue doit être jetée. Si l'odeur ou la couleur d'un aliment quelconque est mauvaise ou douteuse, en débarrassez-vous.

Il pourrait être dangereux de manger de tels aliments. Même une décongélation partielle et une nouvelle congélation réduisent la qualité pour la consommation des aliments, notamment des fruits, des légumes et des plats préparés. La qualité pour la consommation des viandes rouges est moins affectée que celle de la plupart des autres aliments. Utilisez les aliments recongelés dès que possible afin de préserver autant que possible leur qualité.

## CONSERVER CES INSTRUCTIONS

### ⚠ DANGER: RISQUE POUR LES ENFANTS DE RESTER ENFERMÉS À L'INTÉRIEUR DU RÉFRIGÉRATEUR

Les réfrigérateurs mis au rebut ou abandonnés sont dangereux... même s'ils ne restent sur place que pendant quelques jours. Si vous vous débarrassez de votre ancien réfrigérateur, veuillez suivre les instructions figurant à droite afin de prévenir tout accident (emprisonnement et suffocation d'un enfant).



#### AVANT DE VOUS DEBARRASSER DE VOTRE VIEUX REFRIGERATEUR OU CONGELATEUR

- Enlevez les portes.
- Laissez les tablettes à sa place pour que les enfants ne puissent pas y grimper aisément.

## ÉLIMINATION DU CFC

Votre vieux réfrigérateur peut avoir un système de réfrigération employant du CFC (chlorofluorocarbure). Les réfrigérants CFC seraient nocifs pour l'ozone stratosphérique.

Si vous jetez votre vieux réfrigérateur, veillez à enlever le réfrigérant CFC pour une élimination appropriée par un technicien qualifié. Si vous libérez intentionnellement ce réfrigérant CFC, vous pouvez être soumis à des amendes et à des peines d'emprisonnement suivant les dispositions de la législation en matière d'environnement.

## SPÉCIFICATIONS POUR LA MISE À LA TERRE

**IMPORTANT:** Veuillez lire attentivement cette section.

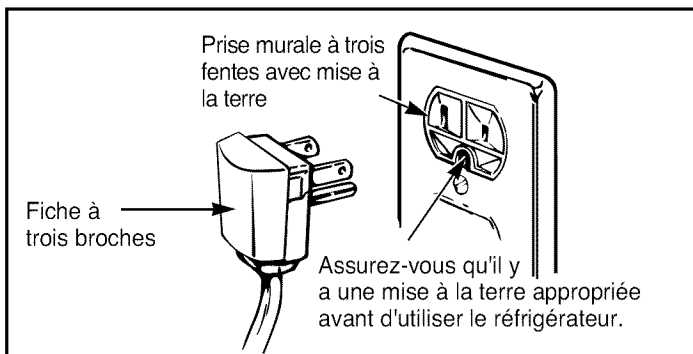
### POUR LA MISE SOUS TENSION DE CET APPAREIL

#### **⚠ AVERTISSEMENT**

##### **Risque de choc électrique**

**POUR LA SÉCURITÉ DES PERSONNES**, cet appareil doit être correctement mis à la terre.

Demandez à un électricien qualifié de vérifier la prise murale ainsi que le circuit pour vous assurer que la prise murale est correctement mise à la terre.



### MÉTHODE DE MISE À LA TERRE RECOMMANDÉE

Le réfrigérateur doit être toujours branché sur une prise de courant correctement reliée à la terre et dédiée, classée pour 115 V, 60 Hz, uniquement à c.a. et munie d'un fusible de 15 ou 20 ampères. Ceci assure la meilleure performance et prévient aussi la surchauffe des circuits électriques de l'installation, évitant le risque d'incendie par surchauffe des câbles. Il est recommandé d'utiliser un circuit séparé pour cet appareil. Utilisez une prise de courant qui ne puisse pas être éteinte par un interrupteur ou une chaînette. N'employez pas de rallonges.

Si la prise murale n'a que deux fentes, c'est votre responsabilité et votre obligation personnelles de la faire remplacer par une prise murale à trois encoches correctement reliée à la terre.

**Ne coupez ni n'enlevez la broche de mise à la terre de la fiche du cordon d'alimentation dans aucune circonstance.**

**Ne pas utiliser d'adaptateur.**

**REMARQUE :** Avant de réaliser la moindre installation, d'effectuer un nettoyage ou de procéder au remplacement d'une ampoule, débrancher le réfrigérateur.

**REMARQUE :** Certains modèles sont dotés d'un éclairage intérieur DEL. L'entretien ne devrait être réalisé que par un technicien qualifié.

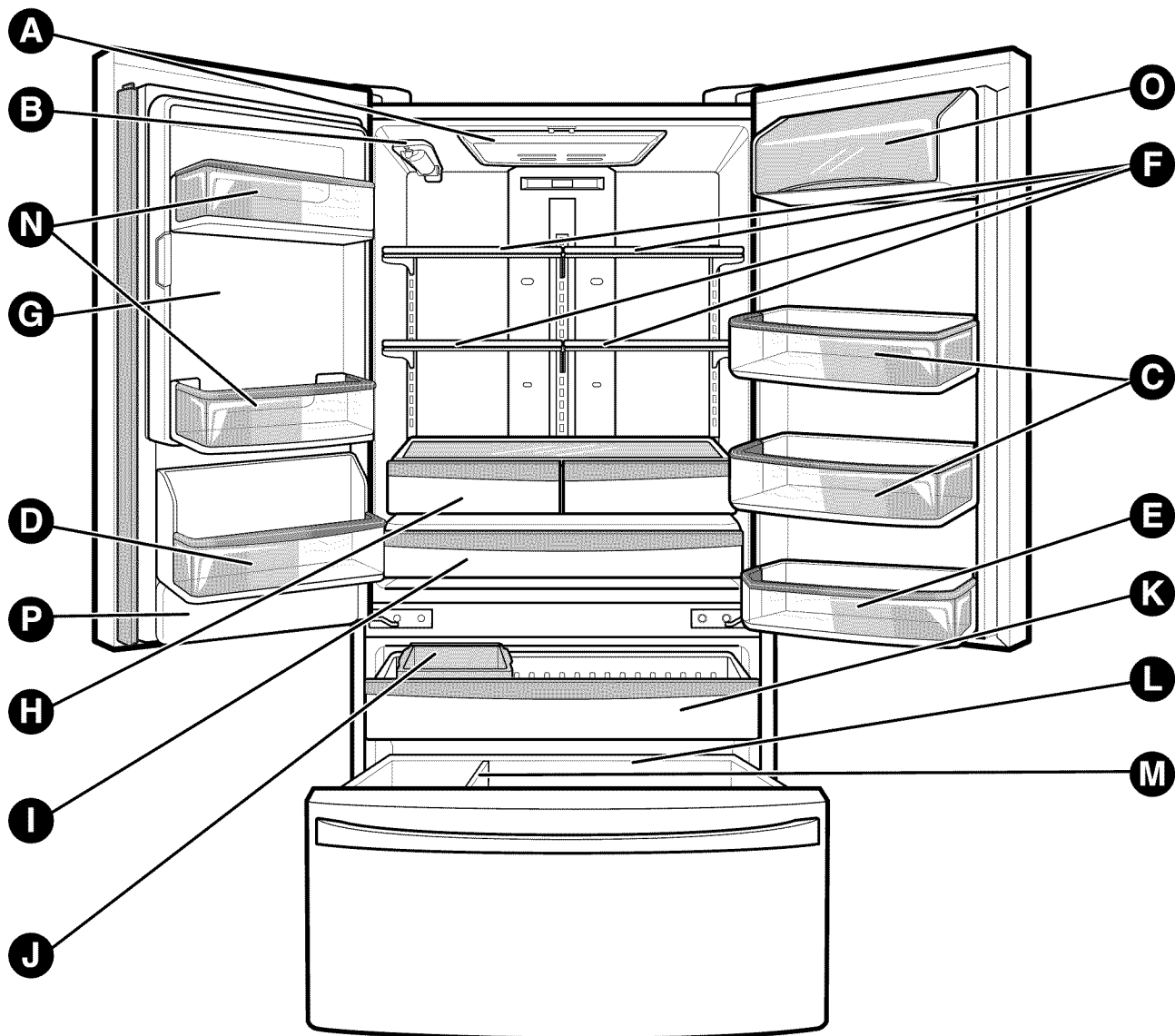
Une fois terminé, rebrancher le réfrigérateur et reconfigurer les commandes (thermostat, commande du réfrigérateur et/ou commande du congélateur, selon le modèle) au réglage désiré.

### UTILISATION DE RALLONGES

**En raison des risques potentiels pour la sécurité, nous décourageons vivement l'utilisation d'une rallonge. Cependant,** si vous voulez quand même utiliser une rallonge, il vous faut absolument employer une rallonge trifilaire, certifiée UL (États-Unis), avec une fiche et une prise murale pour mise à la terre, classée 15 ampères minimum, pour 120V.

L'utilisation d'une rallonge augmentera l'espace libre requis pour la partie arrière du réfrigérateur.

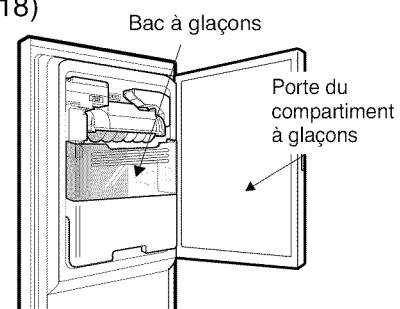
## COMPOSANTS ET FONCTIONS



Utilisez cette page pour vous familiariser avec les composants et les fonctions de l'unité.

**REMARQUE:** Ce manuel couvre plusieurs modèles différents. Le réfrigérateur que vous avez acheté peut avoir certains ou tous les éléments listés ci-dessous. L'emplacement des fonctions montré ci-dessous pourrait ne pas coïncider avec celui de votre modèle.

- |  |  |
|--|--|
| <b>A</b> Lumière du réfrigérateur (p. 124)                                     | <b>J</b> Bac à glace supplémentaire (p. 118)       |
| <b>B</b> Filtre à eau (Intérieur) (p. 120)                                     | <b>K</b> Tiroir de dégagement (p. 119)             |
| <b>C</b> Bacs modulables de porte (p. 118)                                     | <b>L</b> Durabase (p. 119)                         |
| <b>D</b> Casier de porte fixe  | <b>M</b> Cloison du durabase (p. 119)              |
| <b>E</b> Casier de porte fixe  | <b>N</b> Balconnets                                |
| <b>F</b> Les tablettes du réfrigérateur (p. 116)                               | <b>O</b> Compartiment à produits laitiers (p. 118) |
| <b>G</b> Compartiment Glaçons (p. 112)<br>(Machine à glaçons et bac à glaçons) | <b>P</b> Couvercle du réservoir d'eau              |
| <b>H</b> Bac à légumes (p. 117)  |  |
| <b>I</b> Tiroir garde-manger à température contrôlée (p. 117)                  |  |



## INSTALLATION DU RÉFRIGÉRATEUR

### **AVERTISSEMENT**

#### **Risque de poids excessif**

Faites appel à deux ou plus personnes pour déplacer et installer le réfrigérateur.

Autrement, vous risquez de vous faire mal au dos ou de subir d'autres blessures.

### **DÉBALLAGE DE VOTRE RÉFRIGÉRATEUR**

Enlevez le ruban adhésif et tout autre étiquette temporaire de votre réfrigérateur avant de l'utiliser. Ne pas retirer les étiquettes de type avertissement, de modèle, de numéro de série et non plus la fiche technique se trouvant sous l'avant du réfrigérateur derrière le capot principal.

Pour retirer tout reste de ruban adhésif ou de colle, frottez rapidement la zone avec votre pouce. Les restes de ruban adhésif ou de colle peuvent être également enlevés en frottant une petite quantité de savon liquide à vaisselle sur l'adhésif avec vos doigts.

Nettoyez-le avec de l'eau tiède et séchez-le.

N'employez pas d'instruments tranchants, alcool à brûler, substances inflammables ni des détergents abrasifs pour enlever le ruban adhésif ou la colle. Ces produits peuvent endommager la surface de votre réfrigérateur. Pour plus d'information, reportez-vous à la section **Instructions de sécurité importantes**.

Les tablettes du réfrigérateur sont installées dans la position prévue pour le transport de l'unité.

Veuillez réinstaller les tablettes suivant vos besoins personnels de stockage.

### **AVERTISSEMENT**

#### **Si vous déplacez votre réfrigérateur:**

Votre réfrigérateur est lourd. Si vous le déplacez pour effectuer des opérations de nettoyage ou des réparations, assurez-vous de protéger le plancher.

Tirez toujours du réfrigérateur tout droit pour le déplacer. N'essayez de déplacer le réfrigérateur en le balançant ni en le faisant faire de petits pas, car le plancher pourrait en résulter endommagé.

### **AVERTISSEMENT**

#### **Risque d'explosion**

Maintenez les matériaux et les gaz inflammables, tels que l'essence, loin du réfrigérateur.



Autrement, vous risquez de provoquer des morts, une explosion ou un incendie.

- Pour réduire le risque de choc électrique, ne pas installer le réfrigérateur dans un endroit humide.
  - Choisir un emplacement situé à proximité d'une source d'alimentation en eau afin de pouvoir raccorder facilement la machine à glaçons automatique.
- ▲ ATTENTION:** Evitez de ranger l'unité près de sources de chaleur ou à un endroit où elle serait exposée à la lumière directe du soleil ou à l'humidité.

# INSTALLATION DU RÉFRIGÉRATEUR

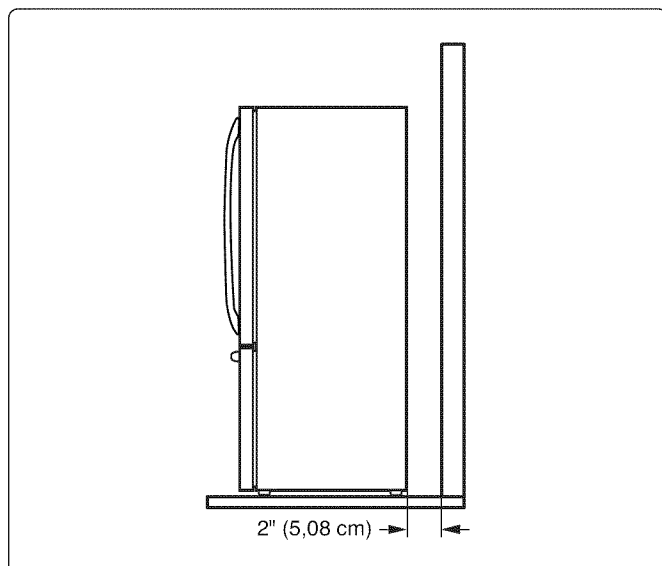
## INSTALLATION

- Pour minimiser les nuisances sonores et les vibrations, le réfrigérateur DOIT être installé sur un plancher de construction solide.
- Il n'est pas recommandé de l'installer sur une moquette ou sur une surface en carreaux souples.
- Ne jamais installer le réfrigérateur sur une plateforme ou une structure ne pouvant pas supporter son poids.

1. Afin d'éviter des vibrations, l'unité doit être nivelée. Réglez les vis de réglage pour compenser les irrégularités du plancher, si besoin. La façade du réfrigérateur doit être légèrement plus haute que la partie arrière afin de rendre plus facile la fermeture de la porte. Vous pouvez facilement faire tourner les vis de réglage en inclinant légèrement le boîtier. Faites tourner les vis de réglage dans le sens des aiguilles d'une montre (  ) pour rehausser l'unité, et dans le sens contraire des aiguilles d'une montre (  ) pour l'abaisser.

(Cf. mise à niveau et alignement : Page 109.)

2. Installez cet appareil à un endroit où la température reste entre 13°C et 43°C. Si la température de la pièce où se trouve l'appareil est trop froide ou trop chaude, elle pourrait nuire à la capacité de refroidissement du réfrigérateur.
3. Un dégagement trop petit peut entraîner une baisse de la capacité de congélation et une augmentation de la consommation électrique. Prévoir également un espace de dégagement d'au moins 24 po (61 cm) devant le réfrigérateur afin de pouvoir ouvrir les portes.



## AVANT UTILISATION

1. Nettoyez complètement votre réfrigérateur et enlevez toute la poussière accumulée pendant le transport de l'unité.
2. Installez les accessoires tels que le bac à glace, les tiroirs, les tablettes, etc., à leur place. Ils ont été emballés ensemble afin de prévenir de possibles dommages pendant le transport de l'unité.
3. Faites marcher votre réfrigérateur pendant 2 ou 3 heures minimum avant d'y ranger des aliments. Vérifiez le flux d'air refroidi dans le compartiment du congélateur pour garantir un refroidissement approprié. Votre réfrigérateur est maintenant prêt pour être utilisé.

# INSTALLATION DU RÉFRIGÉRATEUR

**REMARQUE :** Il est toujours recommandé de démonter les portes si vous passez le réfrigérateur dans une ouverture étroite. S'il est nécessaire de démonter les poignées, procédez comme suit.

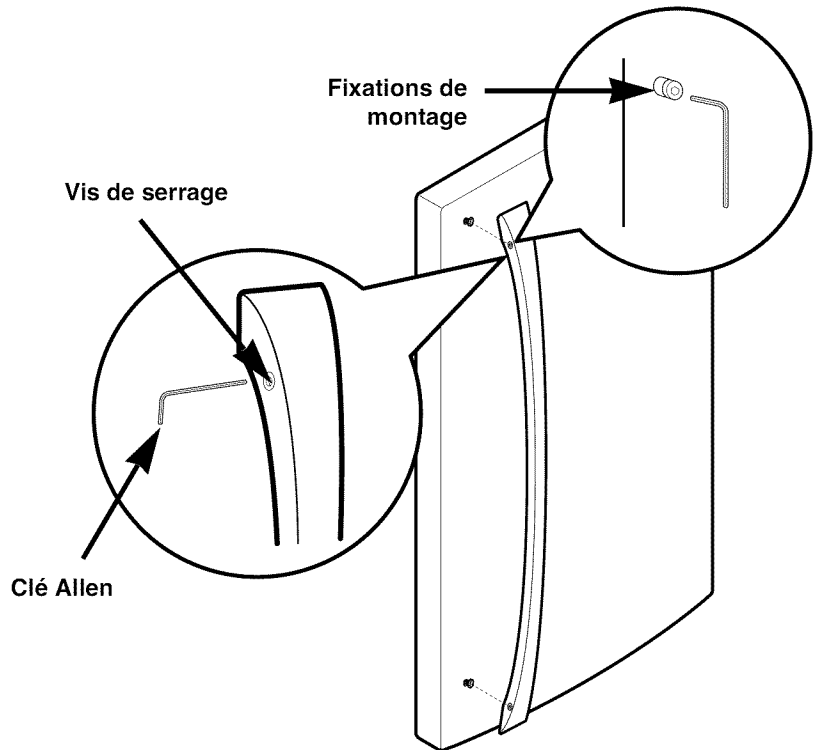
## COMMENT ENLEVER LES POIGNÉES DE LA PORTE / DU TIROIR

**REMARQUE:** L'aspect de la poignée peut varier par rapport aux illustrations dans cette page.

### 1. Enlever la poignée du réfrigérateur

- Desserrez les vis pression avec une clef Allen de 3/32 po (2,5 mm) et retirez la poignée.

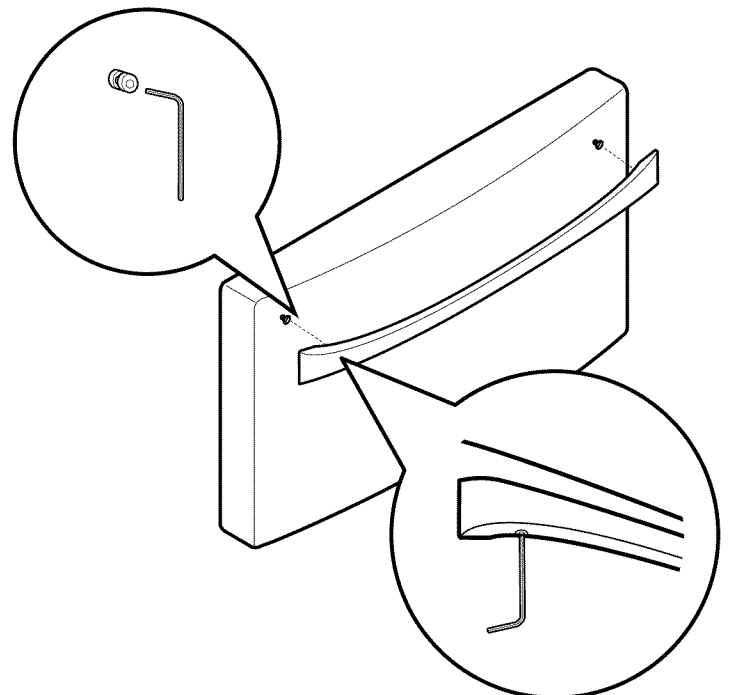
**NOTE:** Si vous devez resserrer ou enlever les fixations de montage de la poignée, utilisez la clé Allen de 1/4 po (6,4mm).



### 2. Enlever la poignée du tiroir du congélateur

- Desserrez les vis pression situées sur la partie inférieure de la poignée avec une clef Allen de 1/8 po (3,1 mm) et retirez la poignée.

**NOTE:** Si vous devez resserrer ou enlever les fixations de montage de la poignée, utilisez la clé Allen de 1/4 po (6,4mm).



# INSTALLATION DU RÉFRIGÉRATEUR

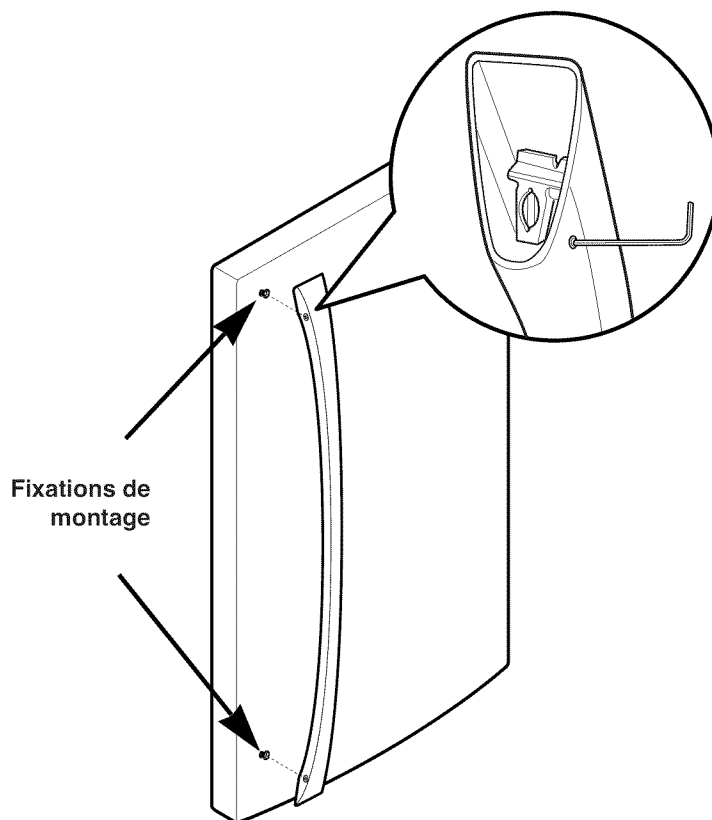
## COMMENT RÉINSTALLER LES POIGNÉES DE LA PORTE / DU TIROIR

**REMARQUE:** L'aspect de la poignée peut varier par rapport aux illustrations dans cette page.

### 1. Réinstaller la poignée de la porte du réfrigérateur

- Installer la poignée sur la porte, la monter par dessus les fixations et visser les visser avec une clé Allen de 3/32 po (2,5 mm).

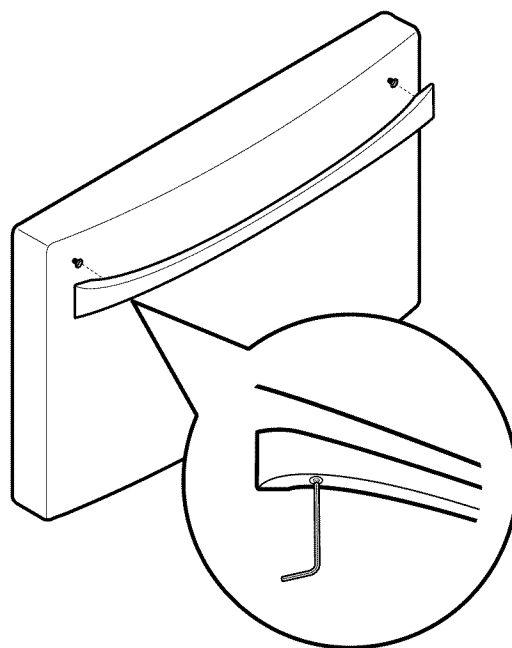
**NOTE:** Si vous devez resserrer ou enlever les fixations de montage de la poignée, utilisez la clé Allen de 1/4 po (6,4mm).



### 2. Réinstaller la poignée du tiroir du congélateur

- Mettre la poignée sur la porte, en l'installant par dessus les fixations et en vissant les vis en bas de la poignée avec une clé Allen de 1/8 po (3,1 mm).

**NOTE:** Si vous devez resserrer ou enlever les fixations de montage de la poignée, utilisez la clé Allen de 1/4 po (6,4mm).



## **⚠ AVERTISSEMENT**

Lorsque vous retirez ou installez la poignée du réfrigérateur, prenez les précautions suivantes.

- Tenez fermement la poignée dans votre main pour qu'elle ne tombe pas par terre lorsque vous la retirez du réfrigérateur.
- Ne lancez pas la poignée vers des personnes ou des animaux après l'avoir enlevée.
- Alignez exactement les trous de la plaque de la poignée sur l'axe de butée de la porte, puis vissez les vis pour fixer la poignée.
- Assurez-vous qu'il n'y a pas d'espace entre la porte et la poignée après avoir fixé cette dernière.

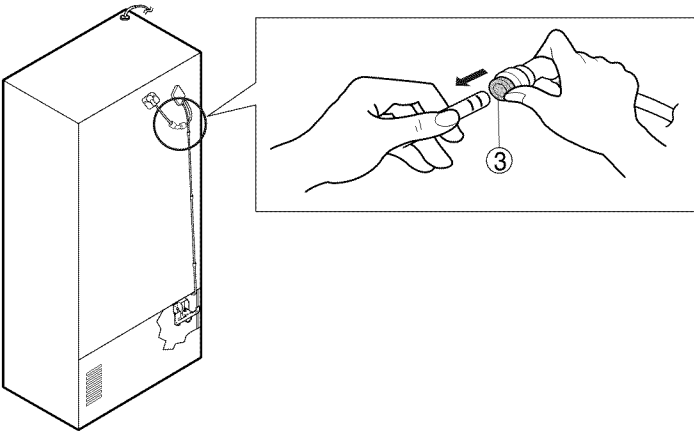


## INSTALLATION DU RÉFRIGÉRATEUR

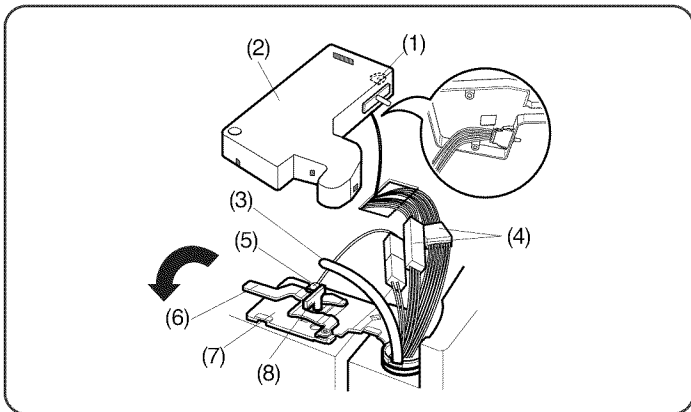
### EXTRACTION ET RÉINSTALLATION DES PORTES DU RÉFRIGÉRATEUR

#### Pour enlever la porte gauche du réfrigérateur :

A l'arrière du réfrigérateur, appuyer sur le joint pour libérer le raccord (figure 3 ci-dessous) et retirer le tube d'amenée d'eau dans la direction de la flèche.



**▲ ATTENTION:** Avant de commencer, ôter les aliments et les balconnets des portes.



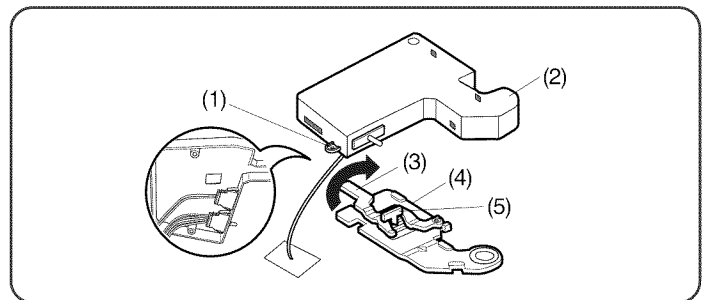
1. Ouvrir la porte. Ôter la vis servant à maintenir en place le couvercle de la charnière supérieure (1).
2. Faire levier sur les crochets (non illustrés) en insérant un tournevis à lame plate sous la face avant du couvercle (2). Soulever ce dernier.
3. Enlever le couvercle. Tirer sur le tube (3).
4. Déconnecter tous les faisceaux de câbles (4).
5. Ôter la vis de mise à la terre (5).

6. Faites pivoter le levier de la charnière (6) dans le sens contraire des aiguilles d'une montre. Soulever la charnière supérieure (7) pour la dégager du loquet (8) permettant de l'immobiliser.

**▲ ATTENTION:** Au moment de soulever la charnière pour la dégager du loquet, veiller à ce que la porte ne tombe pas vers l'avant.

7. Soulever la porte pour la dégager de la fiche du milieu. Enlever la porte.
8. Placer la porte, face intérieure dirigée vers le haut, sur une surface ne risquant pas de la rayer.

#### Pour enlever la porte droite du réfrigérateur :



1. Ouvrir la porte. Ôter la vis servant à maintenir en place le couvercle de la charnière supérieure (1). Soulever le couvercle (2).
2. Ôter le couvercle.
3. Faites pivoter le levier de la charnière (3) dans le sens des aiguilles d'une montre. Soulever la charnière supérieure (4) pour la dégager du loquet (5) permettant de l'immobiliser.

**▲ ATTENTION:** Au moment de soulever la charnière pour la dégager du loquet, veiller à ce que la porte ne tombe pas vers l'avant.

## ▲ AVERTISSEMENT

### Risque de choc électrique

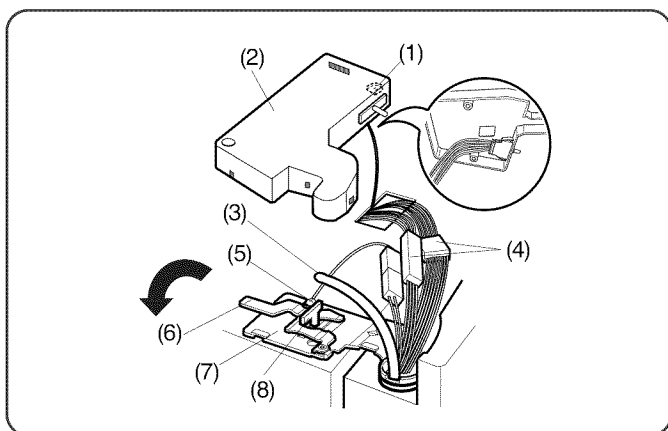
- Déconnecter l'alimentation électrique du réfrigérateur avant d'installer ce dernier. Le non-respect de cette consigne pourrait entraîner un décès ou une blessure grave.
- Ne pas mettre ses mains ou ses pieds ou un objet dans les aérations, le capot principal ou en bas du réfrigérateur. Vous pourriez être blessé ou recevoir un choc électrique.
- Faire attention à la charnière, au capot et à la butée. Vous pourriez vous blesser.

# INSTALLATION DU RÉFRIGÉRATEUR

## Réinstallation des portes du réfrigérateur

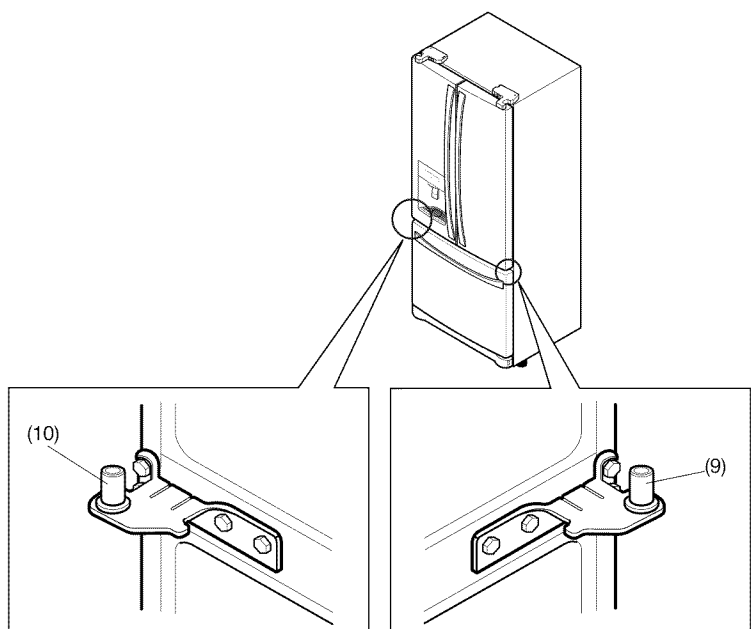
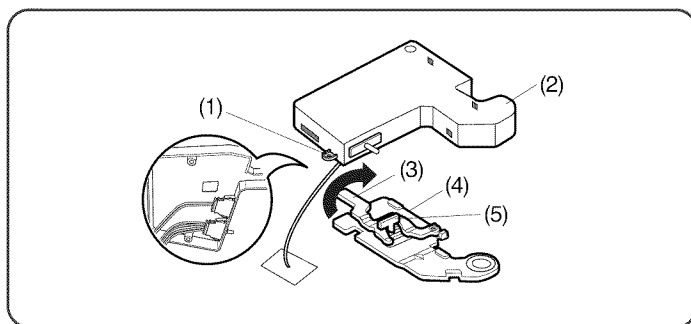
### ► Porte gauche

1. Abaissez la porte sur l'axe de la charnière centrale (10).
2. Encastrez la charnière supérieure (7) sur le verrou du levier de la charnière (8) et à sa place. Faites tourner le levier (6) dans le sens des aiguilles d'une montre pour fixer la charnière.
3. Installez la vis de mise à la terre (5) et raccordez les deux faisceaux (4).
4. Poussez le tube d'alimentation en eau dans le trou situé sur le dessus de la carrosserie et le tirer jusqu'à la plaque arrière.
5. Insérez le tuyau d'arrivée d'eau (3) à l'intérieur du tube de raccordement jusqu'à ce que vous voyez la marque d'un cran. (Enfoncez complètement le tube sur 5/8" (15mm)).
6. Accrochez la languette sur le couvercle (2), du côté de l'interrupteur de la porte, sous l'extrémité de l'ouverture destinée au câble dans la partie supérieure du boîtier. Rangez le couvercle à sa place. Insérez et serrez la vis du couvercle (1).

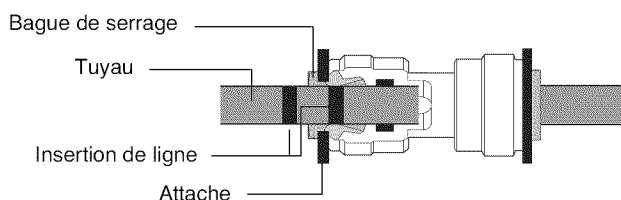


### ► Porte droite

1. Abaissez la porte sur l'axe de la charnière centrale (9).
2. Encastrez la charnière supérieure (4) sur le verrou du levier de la charnière (5) et à sa place. Faites tourner le levier (3) dans le sens contraire des aiguilles d'une montre pour fixer la charnière.
3. Accrochez la languette sur le couvercle (2), du côté de l'interrupteur de la porte, sous l'extrémité de l'ouverture destinée au câble dans la partie supérieure du boîtier. Rangez le couvercle à sa place. Insérez et serrez la vis du couvercle (1).



## ⚠ ATTENTION



Après insertion, tirez sur la conduite pour vous assurer qu'elle est correctement maintenue et montez la pince.

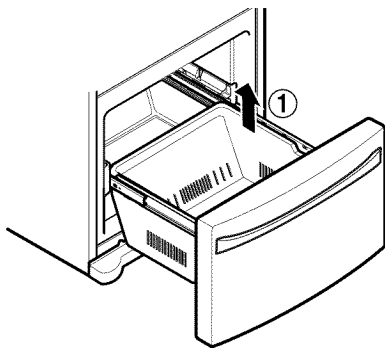
## INSTALLATION DU RÉFRIGÉRATEUR

### COMMENT ENLEVER ET INSTALLER LE TIROIR DU CONGÉLATEUR

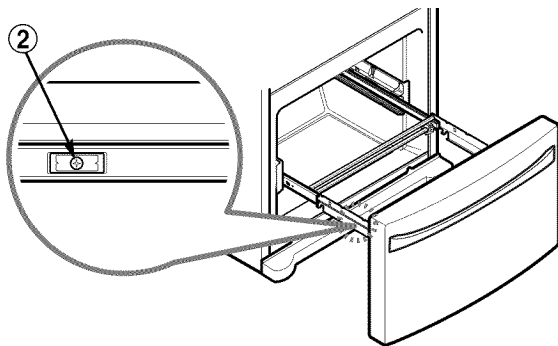
**IMPORTANT:** Afin d'éviter de possibles blessures, des dommages au produit ou d'autres dommages matériels, il faut deux personnes pour suivre les instructions suivantes.

#### 1. Démonter le tiroir du congélateur

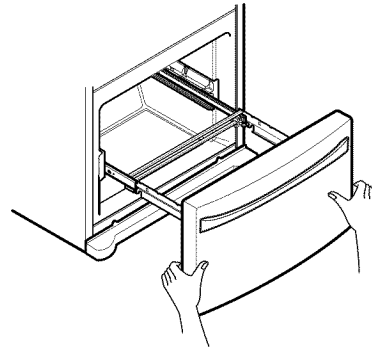
- Tirez du tiroir pour l'ouvrir dans toute sa longueur. Enlevez le panier inférieur (1) en le soulevant du système de guidage.



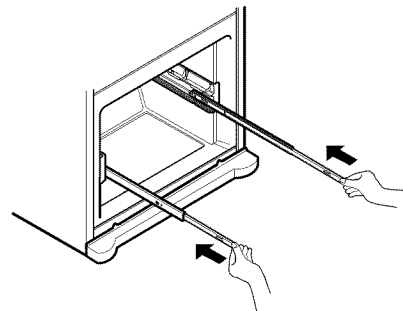
- Retirez les vis(2) du rail des deux côtés.



- Avec les deux mains, maintenez les deux côtés de la porte et tirez pour les séparer.



- ▲ **ATTENTION:** Lorsque vous enlevez le tiroir, ne saisissez pas la poignée. Si elle est enlevée, vous pourriez subir des blessures.



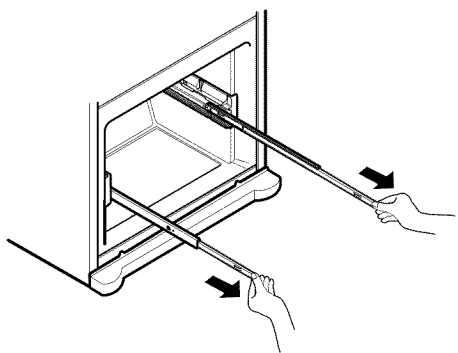
- Avec un rail dans chaque main, poussez les rails simultanément pour les insérer.

## INSTALLATION DU RÉFRIGÉRATEUR

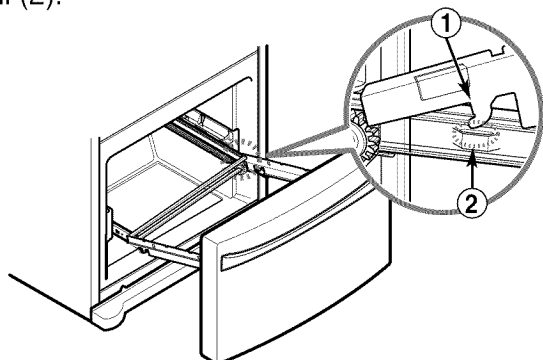
### COMMENT ENLEVER ET INSTALLER LE TIROIR DU CONGÉLATEUR (suite)

#### 2. Installer le tiroir du congélateur

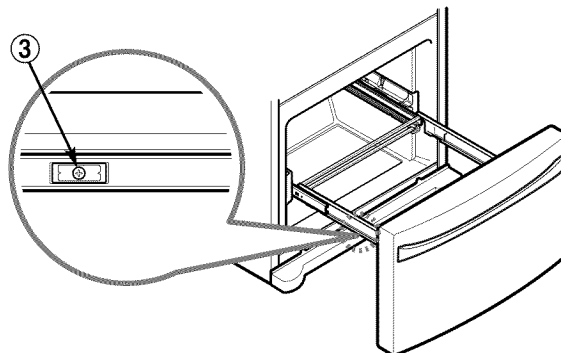
- Avec un rail dans chaque main, tirez simultanément les rails jusqu'à ce qu'ils soient complètement étendus.



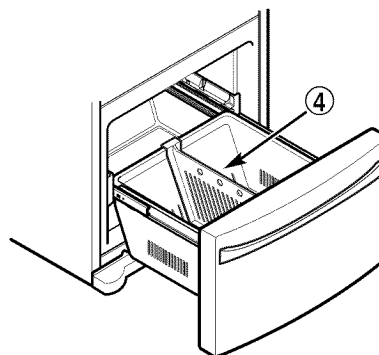
- Montez le connecteur de la porte (1) sur le bras du rail (2).



- Poussez vers le bas et fixez le connecteur de la porte en serrant les vis(3).



- Avec le tiroir étendu à son extension totale, insérez le panier inférieur (4) dans le système de guidage jusqu'à ce qu'il ne se déplace pas en avant.



**▲ AVERTISSEMENT:** Si la cloison de répartition Durabase est retirée, il y a alors suffisamment de place pour que des enfants ou des animaux domestiques puissent y pénétrer à l'intérieur.

**▲ AVERTISSEMENT:** Afin de prévenir des risques de suffocation ou d'empêcher de coincer un animal domestique ou un enfant, NE PAS les laisser toucher ou s'approcher du tiroir.

**▲ AVERTISSEMENT:** NE MONTEZ ni vous asseyez sur le tiroir du congélateur.

# INSTALLATION DU RÉFRIGÉRATEUR

## NIVELLEMENT ET ALIGNEMENT DE LA PORTE

### Nivellement

Après l'installation, assurez la stabilité du produit avec les pieds de mise à niveau.

Votre réfrigérateur a deux vis de réglage avant – l'une à gauche et l'autre à droite. Si votre réfrigérateur semble instable ou que vous voulez que les portes se ferment plus facilement, réglez l'inclinaison du réfrigérateur en suivant les instructions ci-dessous:

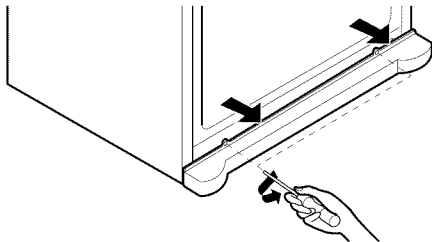
1. Branchez le cordon d'alimentation du réfrigérateur sur une prise à trois fentes avec mise à la terre. Déplacez le réfrigérateur vers sa position finale.

### Pour retirer le couvercle de la base

- 1) Ouvrez le tiroir du congélateur. (Tiroir non représenté pour davantage de clarté.)
- 2) Une fois le tiroir ouvert et l'espace suffisant, déposez les vis sur le haut du capot.

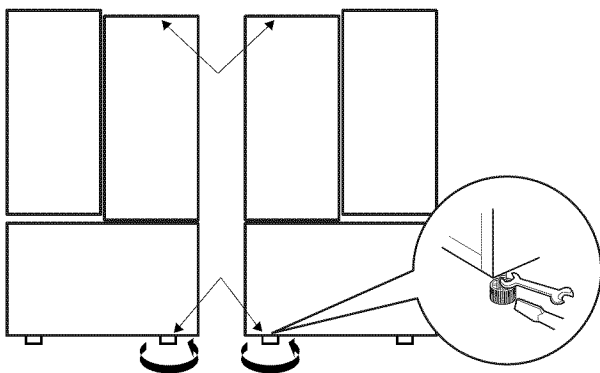
### Pour remplacer le couvercle de la base

- Positionnez le couvercle, insérez-le puis serrez les vis.



2. Faites tourner la vis de réglage dans le sens des aiguilles d'une montre pour rehausser ce côté du réfrigérateur ou dans le sens contraire des aiguilles d'une montre pour le faire descendre. Il peut être nécessaire de faire tourner la vis de réglage plusieurs fois pour régler l'inclinaison du réfrigérateur.

**REMARQUE:** Si vous demandez à quelqu'un de faire pression contre la partie supérieure du réfrigérateur cela diminue le poids sur les vis de réglage, ce qui rend le réglage des vis plus facile.



3. Ouvrez encore une fois les deux portes et examinez-les pour vérifier qu'elles se ferment facilement. Autrement, inclinez légèrement le réfrigérateur plus vers l'arrière en faisant tourner les deux vis de réglage dans le sens des aiguilles d'une montre. Il peut être nécessaire de faire tourner la vis de réglage plusieurs fois et vous devez faire tourner les deux vis de réglage le même nombre de fois.

4. Réglez-les de nouveau si besoin.

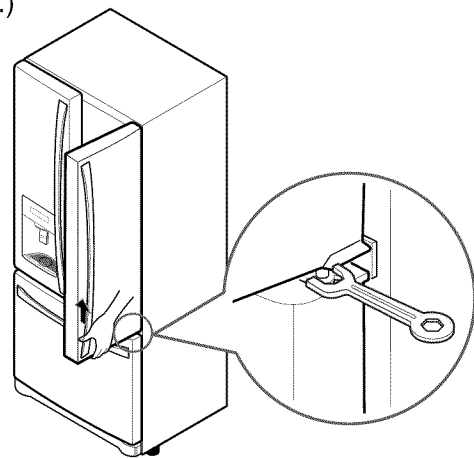
5. Remplacez le couvercle de la base.

**REMARQUE:** Votre nouveau réfrigérateur est conçu d'une manière unique avec deux portes pour aliments frais. Chaque porte peut être ouverte ou fermée indépendamment de l'autre. Vous aurez peut-être besoin d'exercer une légère pression sur les portes pour les fermer complètement.

### Alignement de la porte

Si l'espace entre les portes est irrégulier, suivez les instructions ci-dessous pour aligner les portes:

Utilisez une clé (rattachée au Guide d'Utilisation et d'Entretien) pour ajuster le nut dans la charnière de la porte pour ajuster la hauteur. (Sens anti-horaire pour rehausser ou Sens horaire pour baisser la hauteur.)



Mettez le réfrigérateur à niveau en utilisant une clé de 18 mm (11/16 po) ou un tournevis à lame plate. Tournez les pieds de mise à niveau (Sens anti-horaire) dans le sens inverse des aiguilles d'une montre pour élever - ou (Sens horaire) dans le sens des aiguilles d'une montre pour abaisser - la partie avant du réfrigérateur.

**REMARQUE :** La partie avant du réfrigérateur devrait être légèrement plus élevée que la partie arrière.

# UTILISATION DE VOTRE RÉFRIGÉRATEUR

## RÉGLAGE DES COMMANDES

### Température

- La température du réfrigérateur est préréglée sur 3 °C et la température du congélateur sur -18 °C. Il s'agit des réglages de température recommandés dans des conditions d'utilisation normales. Patientez 24 heures pour que le réfrigérateur et le congélateur atteignent ces températures.

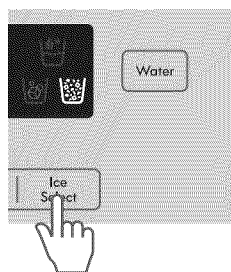
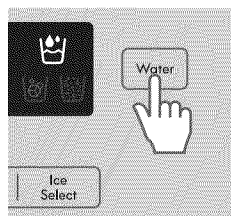


- **La température du réfrigérateur peut être réglée entre 1 et 8 °C.** Plus le réglage est bas, plus le compartiment du réfrigérateur est froid.
- **La température du congélateur peut être réglée entre -21 et -13 °C.** Plus le nombre est petit, plus le compartiment de congélation devient froid.

**REMARQUE :** Lorsque vous modifiez les réglages, patientez 24 heures avant de les modifier à nouveau. Après 24 heures, réglez les températures des compartiments comme vous le souhaitez.

### Distributeur


- Lorsque vous appuyez sur le bouton Water (Eau), l'icône Water s'allume.
- Lorsque vous appuyez sur la touche Ice Select, l'icône de glaçon ou l'icône de glace pillée s'allume.
- Après distribution, des gouttes peuvent couler. Il est conseillé de mettre une tasse en-dessous du distributeur pendant quelques secondes après distribution pour recevoir les gouttes.




**⚠ ATTENTION:** Éliminez l'humidité avant d'utiliser la touche d'affichage car le fonctionnement de la touche est basé sur le procédé d'activation par pression, et si la surface de la touche est affectée par l'humidité, ceci peut ralentir l'activation de la touche ou bien activer une touche autre que celle désirée.

**⚠ AVERTISSEMENT:** Le distributeur ne fonctionnera pas si une porte est ouverte.

### Ultra Ice [PLUS DE GLACE]

- Lorsque vous touchez au bouton Ultra Ice (  ), le dessin s'allume et reste allumé pendant 24 heures. Il s'éteint automatiquement une fois ces 24 heures passées. Ou bien, vous pouvez annuler cette fonction en appuyant de nouveau sur la touche Ultra Ice.
- Cette fonction augmente aussi bien la capacité de production de glace que celle de congélation.

### Réinitialisation du Filtre

- Lorsque le voyant du filtre d'eau s'allume (  ) il vous faut changer le filtre. Après avoir changé le filtre tenir appuyé le bouton Ultra Ice (réinitialisation du filtre) pendant 3 secondes pour éteindre le voyant indicateur. Le changement du filtre à eau doit s'effectuer environ tous les 6 mois.

### Lumière / Capteur de lumière





- Si le voyant est sur le mode « Auto », celui du distributeur s'allumera et s'éteindra automatiquement en fonction de la luminosité de la pièce telle que détectée par le capteur de luminosité.

### Économie d'énergie (Energy Saver)

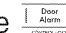


- Tenir appuyé le bouton Energy Saver pendant au moins 3 secondes pour activer et désactiver la fonction.
- Cette fonction coupe le chauffage utilisé pour évacuer l'humidité extérieur en trop et est conseillée pour faire des économies d'énergie.
- Cette fonction est conseillée lors des moments où les portes ne sont pas ouvertes.

# UTILISATION DE VOTRE RÉFRIGÉRATEUR



## Alarme de porte

- Lorsque le frigo est branché, l'alarme de porte se met automatiquement sur  (ON) et l'affichage indique  (ON). Lorsque vous appuyez sur le  bouton l'affichage passera sur  (OFF) et la fonction d'alarme de la porte sera coupée.
- Lorsque la porte du réfrigérateur ou du congélateur sont ouvertes pendant plus de 60 secondes, l'alarme retentira pour vous avertir que la porte est ouverte.
- Lorsque vous fermez la porte, l'alarme s'arrête.

## Verrouillage

- Lorsque le réfrigérateur est mis sous tension pour la première fois, la fonction de verrouillage est réglée sur OFF [désactivée].
- Si vous souhaitez activer la fonction de verrouillage pour bloquer d'autres touches, appuyez sans relâcher pendant 3 secondes ou plus sur la touche  . L'indicateur  s'affiche pour indiquer que la fonction de verrouillage est activée.
- Lorsque la fonction Lock est activée, aucun boutons ne marchent. Les touches du distributeur sont également désactivées.
- Pour désactiver la fonction de verrouillage, appuyez sans relâcher pendant 3 secondes ou plus sur la touche  .

## Mode de température (°F < - >°C)

- Si vous désirez convertir de °F en °C et vice et versa, tenir appuyé les boutons  et  en même temps pendant 5 secondes ou davantage.

## ⚠ ATTENTION

### Mode démo (détaillants)

Le mode Démo (display mode) coupe le refroidissement du frigo et du congélateur afin d'économiser l'énergie alors que l'appareil est en exposition dans un magasin.

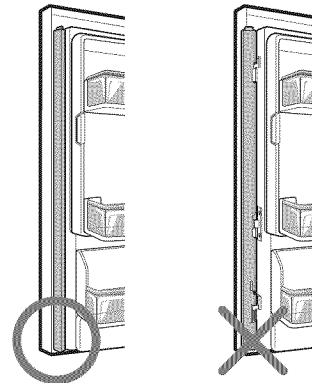
#### 1. Pour allumer :

La porte du frigo étant ouverte, tenir appuyé les boutons Refrigerator Temp et Ultra Ice en même temps pendant 5 secondes. Le tableau émettra une sonnerie pour avertir que le mode Démo est activé.

#### 2. Pour éteindre :

La porte du frigo étant ouverte, tenir appuyé les boutons Refrigerator Temp et Ultra Ice en même temps pendant 5 secondes. Le tableau émettra une sonnerie pour avertir que le mode Démo est désactivé.

### Attention lors de la fermeture de la porte



## ⚠ ATTENTION

Afin d'éviter de rayer et d'endommager la cloison de la porte, s'assure que la cloison soit replié à l'intérieur.

En cas d'accumulation d'humidité sur la cloison, couper le mode Energy Saver jusqu'à résolution du problème.

# UTILISATION DE VOTRE RÉFRIGÉRATEUR

## BAC À GLAÇONS INTÉRIEUR

### ▲ ATTENTION

Gardez vos mains et vos outils éloignés de la porte du compartiment à glaçons et de la goulotte du distributeur. Des blessures ou dégâts peuvent en découler.

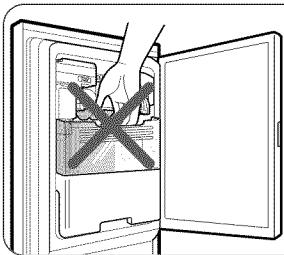
La machine à glaçons s'arrête de fabriquer des glaçons lorsque le bac à glaçons est plein. Si vous avez besoin de plus de glace, vider le container à glace dans le compartiment du congélateur.

En cours de service, le niveau de la glace peut ne pas être parfaitement droit et l'appareil à cubes de glace peut se tromper sur la quantité de cubes et arrêter la production de glace.

**REMARQUE :** Ne pas stocker de cannettes ou autre chose dans le container car cela endommagera l'appareil à cubes de glace.

Veillez à garder la porte du compartiment à glaçons correctement fermée. Si la porte du compartiment à glaçons n'est pas correctement fermée, l'air froid du bac à glaçons risque de geler les aliments qui se trouvent dans le compartiment réfrigérateur. Ceci peut aussi empêcher la machine à glaçons de fonctionner.

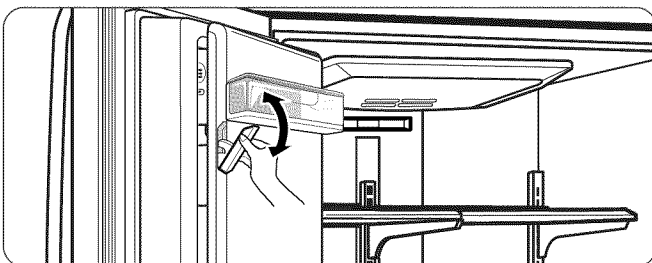
**REMARQUE :** si le commutateur On/Off de la machine à glaçons est sur Off (O) pendant une période prolongée, le compartiment à glaçons va progressivement se réchauffer pour atteindre la température du compartiment réfrigérateur. Pour éviter que des glaçons ne fondent et ne s'écoulent du distributeur, pensez à TOUJOURS vider le récipient à glaçons si la machine à glaçons est sur Off (O) depuis de longues heures.



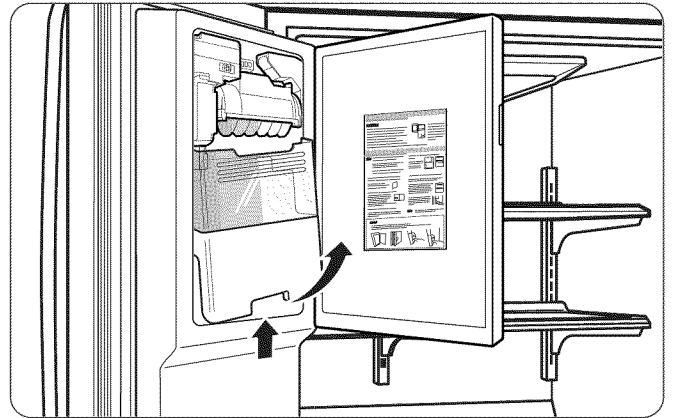
### ▲ ATTENTION

Lorsque vous manipulez le container, conservez vos mains loin des lames afin d'éviter de vous blesser.

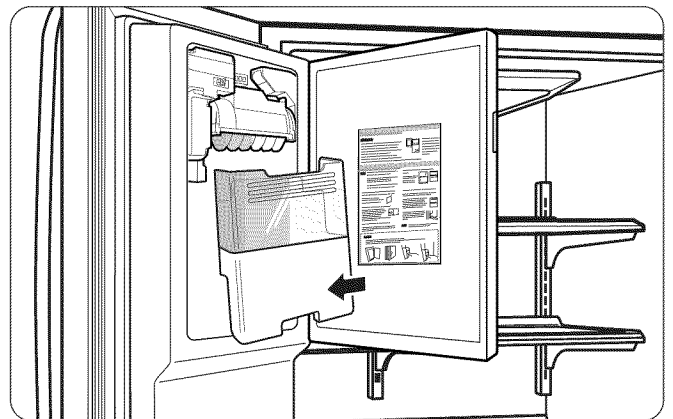
1. Tirer ou pousser sur la poignée de la porte pour ouvrir ou fermer le compartiment à glaçons.



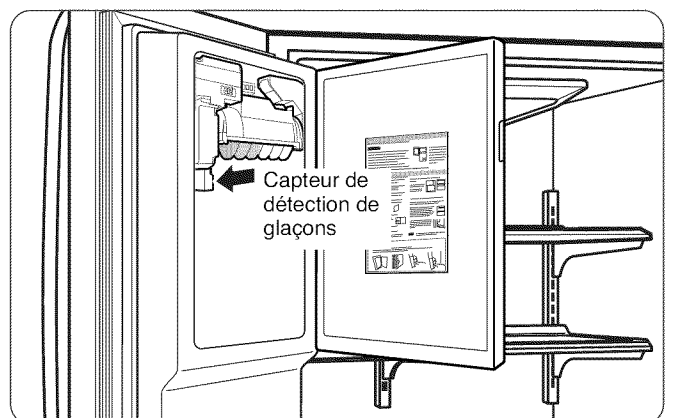
2. Pour retirer le bac à glaçons intérieur, saisissez la poignée avant, soulevez légèrement la partie inférieure et tirez lentement pour sortir le bac, comme indiqué ci-dessous.



3. Pour réinstaller le bac à glaçons intérieur, inclinez légèrement le bac de façon à ne pas heurter la machine à glaçons.



4. Évitez de toucher le capteur de détection de glaçons lorsque vous replacez le récipient à glaçons. Pour plus d'informations, reportez-vous à l'étiquette située sur la porte du compartiment à glaçons.





# UTILISATION DE VOTRE RÉFRIGÉRATEUR

## RÉGLAGE DE LA CONFIGURATION DES COMMANDES

Laissez le réfrigérateur refroidir complètement avant de terminer les réglages. Il est préférable d'attendre 24 heures. Les réglages initiaux indiqués dans la partie REGLER LES CONSIGNES doivent être corrects pour un fonctionnement domestique normal du réfrigérateur. Les consignes sont correctement réglées lorsque le lait ou les jus de fruits sont à la température qui vous convient, et lorsque la glace est à l'état solide.

La commande du réfrigérateur fonctionne comme un thermostat pour l'appareil tout entier (compartiments réfrigérateur et congélateur). Plus le réglage est sur froid, plus le compresseur mettra du temps à maintenir la température plus froide. La commande du congélateur règle le flux d'air refroidi du congélateur au réfrigérateur. Régler la commande du congélateur à une température plus froide maintient plus frais l'air dans le compartiment du congélateur pour le refroidir encore plus.

Si vous devez régler les températures du frigo ou du congélateur, commencer par le réfrigérateur et laisser passer 24 heures pour que les températures se stabilisent. Si la température est trop chaude ou trop froide, régler alors le bouton du congélateur.

**Rappelez-vous toujours d'attendre au moins 24 heures entre deux réglages.**

CONDITION/ CAUSE:	RÉGLAGE RECOMMANDÉ:
■ RÉFRIGÉRATEUR trop chaud. – Ouverture fréquente de la porte. – Grande quantité d'aliments ajoutée. – Température ambiante trop chaude.	Réglez la consigne du réfrigérateur un degré °C ou deux degrés °F plus bas, attendez 24 heures, puis contrôlez à nouveau.
■ CONGÉLATEUR trop chaud / production de glace insuffisamment rapide. – Ouverture fréquente de la porte. – Grande quantité d'aliments ajoutée. – Température de pièce très froide (< 55°F) - le compresseur ne s'allume pas assez souvent. – Utilisation intense de glace. – Grilles d'aération obstruées par des éléments.	Réglez la consigne du congélateur un degré °C ou deux degrés °F plus bas, attendez 24 heures, puis contrôlez à nouveau.  Déplacez les éléments hors du courant d'air.
■ RÉFRIGÉRATEUR trop froid. – Commandes incorrectement réglées pour les conditions de fonctionnement actuelles.	Réglez la consigne du réfrigérateur d'un degré °C ou de deux degrés °F plus élevés, attendez 24 heures, puis contrôlez à nouveau.
■ CONGÉLATEUR trop froid. – Commandes incorrectement réglées pour les conditions de fonctionnement actuelles.	Réglez la consigne du congélateur d'un degré °C ou de deux degrés °F plus élevés, attendez 24 heures, puis contrôlez à nouveau.

# UTILISATION DE VOTRE RÉFRIGÉRATEUR

## GUIDE POUR LE STOCKAGE D'ALIMENTS

Pour ranger les aliments dans le réfrigérateur, enveloppez-les ou rangez-les dans des récipients étanches et imperméables à l'air, sauf indication contraire. Ceci évite le transfert de l'odeur et du goût des aliments à travers le réfrigérateur. Pour les produits datés, vérifiez le code de la date pour garantir leur fraîcheur.

Élément	Comment faire
Beurre ou margarine	► Maintenez le beurre ouvert dans un récipient ou un compartiment fermé. Si vous rangez un stock de réserve, enveloppez-le dans un emballage pour congélation et congelez-le.
Fromage	► Stockez-le dans son emballage original jusqu'à son utilisation. Après l'avoir ouvert, enveloppez-le de nouveau hermétiquement dans une pellicule plastique ou du papier aluminium.
Lait	► Nettoyez les cartons à lait. Pour un meilleur stockage, rangez le lait sur une tablette intérieure, non pas sur une tablette de porte.
Oeufs	► Rangez les oeufs dans leur emballage d'origine de l'étagère intérieure, pas dans l'étagère de la porte.
Fruits	► Lavez-les, laissez-les sécher et rangez-les dans des sacs de plastique ou dans le bac à légumes à l'intérieur du réfrigérateur. Ne lavez ni n'épluchez le raisin jusqu'à ce vous soyez prêt à l'utiliser. Triez et conservez les baies avec leur emballage d'origine dans le bac à légumes, ou stockez-les dans un sac en papier fermé et scellé sur une étagère du réfrigérateur.
Légumes-feuille	► Enlevez l'emballage employé pour leur stockage et coupez légèrement ou jetez les zones meurtries et décolorées. Lavez-les avec de l'eau froide et égouttez-les. Placez-les dans des sacs en plastique ou des conteneurs en plastique et rangez-les dans le bac à légumes.
Légumes avec peau (carottes, poivrons)	► Placez-les dans des sacs en plastique ou dans des récipients en plastique et rangez-les dans le bac à légumes.
Poisson	► Utilisez le poisson frais et les crustacés et mollusques le même jour où vous les avez achetés.
Restes	► Couvrez les restes avec du film plastique ou du papier aluminium. Vous pouvez également utiliser des récipients en plastique munis de couvercles hermétiques.

## STOCKAGE D'ALIMENTS CONGELÉS

**REMARQUE:** Pour tout renseignement supplémentaire concernant la préparation d'aliments pour sa congélation ou les temps de stockage des aliments, vérifiez le mode d'emploi du congélateur ou un livre de cuisine fiable.

### Emballage

Une congélation réussie dépend d'un emballage correct. Si vous fermez et scellez l'emballage, il ne doit pas permettre l'entrée ou la sortie d'air ou d'humidité. Si cela arrive, il pourrait y avoir un transfert de l'odeur et du goût des aliments à travers le réfrigérateur ainsi qu'une déshumidification des aliments congelés.

### Emballages recommandés:

- Des contenants en plastique rigide avec couvercles hermétiques;
- des boîtes/récipients pour congélation cylindriques;
- des feuilles d'aluminium très résistantes;
- du papier plastifié;
- de la pellicule plastique imperméable;
- des sacs de plastique refermables spécifiées pour congélation.

Suivez les instructions figurant sur l'emballage ou le récipient pour appliquer des méthodes de congélation appropriées.

### N'employez pas de:

- sacs de pain;
- contenants n'ayant pas de couvercles hermétiques;
- papier ciré ou papier paraffiné pour congélation;
- film plastique mince, semi-perméable.

**▲ ATTENTION:** Ne gardez pas de boîtes de boisson ou de récipients d'aliments de plastique dans le compartiment de congélateur. Ils peuvent casser ou éclater en gelant.

# UTILISATION DE VOTRE RÉFRIGÉRATEUR

## Congélation

Votre congélateur ne congèlera pas rapidement une grande quantité d'aliments. Ne rangez pas plus d'aliments décongelés dans le congélateur que la quantité qu'il peut congeler dans 24 heures (pas plus de 2 à 3 livres d'aliments par pied cube d'espace dans le congélateur). Laissez suffisamment d'espace dans le congélateur pour que l'air circule autour des emballages. Veillez à laisser suffisamment d'espace devant l'unité de telle façon que la porte ferme hermétiquement.

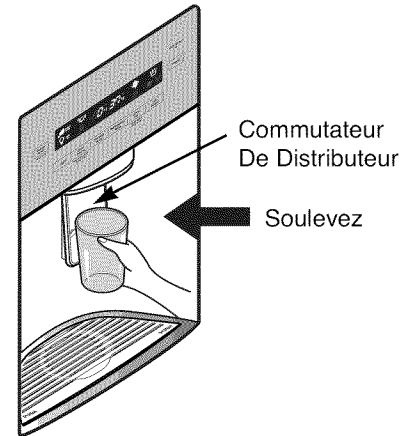
Les temps de stockage varieront en fonction de la qualité et du type d'aliment, du type d'emballage ou de couverture utilisé (imperméable à l'air et étanche) ainsi que de la température de stockage. La présence de cristaux de glace à l'intérieur d'un emballage scellé est normale. Ceci signifie tout simplement que l'humidité dans les aliments et l'air à l'intérieur de l'emballage s'est condensée, formant ainsi des cristaux de glace.

**REMARQUE:** Laissez les aliments chauds refroidir à la température ambiante pendant 30 minutes, puis emballez-les et congélez-les. Faire refroidir les aliments chauds avant de les congeler économise de l'énergie.

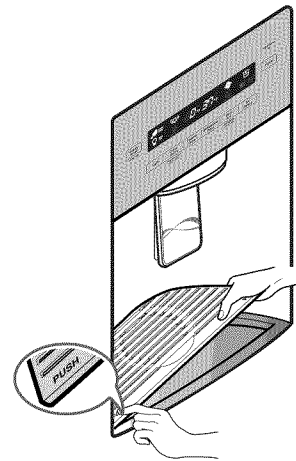
## COMPARTIMENT RÉFRIGÉRATEUR

### DISTRIBUTEUR DE L'EAU

Pour faire couler de l'eau, appuyer sur l'interrupteur languette avec le verre.

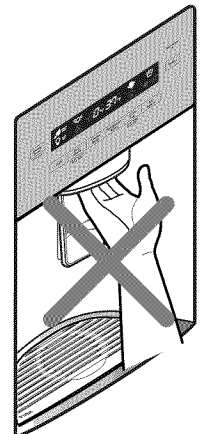


Appuyez sur l'un des coins avant pour retirer le plateau.



**▲ AVERTISSEMENT:** N'insérez pas vos doigts dans le distributeur, à l'endroit de la chute des glaçons. Vous pourriez sérieusement vous blesser.

**▲ ATTENTION:** Ne pas mettre la glace dans une tasse en cristal fin ou en porcelaine. La tasse et la porcelaine peuvent casser.



# UTILISATION DE VOTRE RÉFRIGÉRATEUR

## LES TABLETTES DU RÉFRIGÉRATEUR

Les tablettes de votre réfrigérateur sont réglables pour s'adapter à vos besoins de stockage. Votre modèle peut avoir de tablettes de verre ou de clayettes métalliques.

Si vous stockez des produits alimentaires similaires dans le même compartiment de votre réfrigérateur et si vous réglez les tablettes selon les différentes hauteurs des produits, vous pourrez trouver le produit voulu plus facilement. Cela contribuera aussi à réduire la quantité de temps que la porte du réfrigérateur restera ouverte, ce qui vous permettra de faire des économies d'énergie.

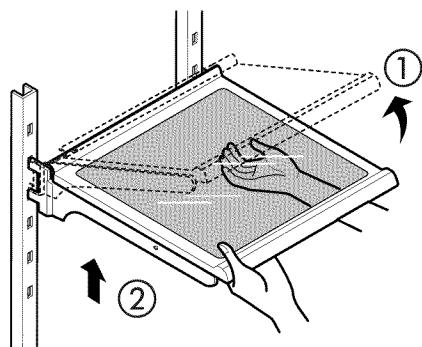
**IMPORTANT:** Ne nettoyez pas les étagères en verre avec de l'eau chaude si celles-ci sont froides. Les tablettes pourraient se briser si elles sont soumises à des changements de température brusques ou des impacts, tels que des coups. Pour votre sécurité, les tablettes de verre sont fabriquées en verre trempé, lequel se brisera, le cas échéant, dans de très petits morceaux.

**REMARQUE:** Les tablettes de verre sont lourdes. Si vous les enlevez, ayez beaucoup de soin de ne pas les laisser tomber.

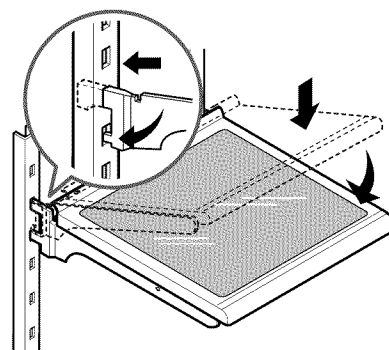
### Réglage des tablettes

Enlevez les tablettes de leur position originelle et replacez-les selon votre préférence.

- **Pour enlever une tablette**—Inclinez le front de la tablette dans le sens ① et tirez-le dans le sens ②. Retirez la tablette.



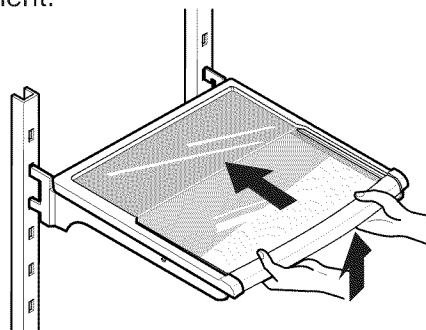
- **Pour replacer une tablette**—Inclinez le front de la tablette et insérez les crochets de la tablette dans les rainures à la hauteur désirée. Puis, abaissez le front de la tablette pour que les crochets s'insèrent complètement dans les rainures respectives.



- ▲ **ATTENTION:** Assurez-vous que les tablettes sont au même niveau des deux côtés. Autrement, la tablette ou les aliments y contenus peuvent tomber.

### Tablette pliante

Vous pouvez ranger des articles plus petits tel qu'un conteneur de bouteilles en poussant sur la moitié avant de la tablette en-dessous de la moitié arrière de la tablette. Tirer vers vous pour la rétablir complètement.



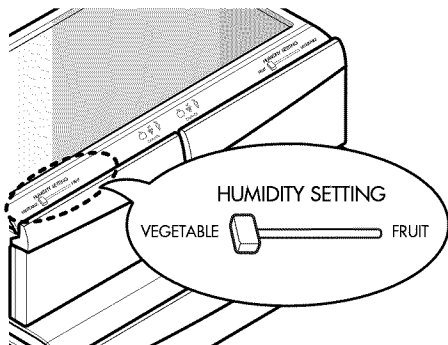
# UTILISATION DE VOTRE RÉFRIGÉRATEUR

## CONTRÔLE D'HUMIDITÉ DES BACS À LÉGUMES

Vous pouvez contrôler le pourcentage d'humidité dans les bacs à légumes fraîcheur.

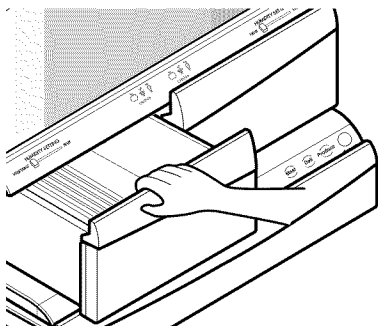
Le stockage des légumes et des fruits exige plus ou moins d'humidité dans chaque bac à légumes. Réglez le contrôle entre **VEGETABLE** et **FRUIT**.

- **VEGETABLE** Garde l'air humide dans le bac à légumes pour un meilleur stockage des légumes frais et feuillus.
- **FRUIT** Enlève l'air humide du bac à légumes pour un meilleur stockage des fruits.



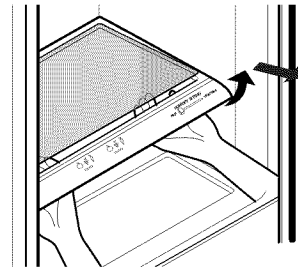
## ENLEVEMENT DES BACS A LEGUMES

1. Pour l'enlever, ouvrez complètement le tiroir.
2. Levez le front du bac à légumes et retirez-le.
3. Pour le replacer, inclinez à peine le front du bac à légumes, introduisez le tiroir dans le cadre et poussez-le jusqu'à la position originelle.



## Pour enlever le verre:

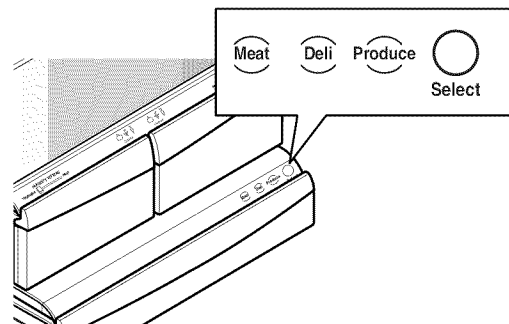
1. Insérez un doigt dans le trou qui se trouve au-dessous du couvercle du bac à légumes, puis soulevez le verre.
2. Tirez du verre en dehors vers le haut.



## TIROIR GARDE-MANGER A TEMPERATURE CONTROLEE

Le tiroir garde-manger à température contrôlée est un espace de stockage à la température réglable qui permet d'obtenir une température plus basse que celle du réfrigérateur. Ce tiroir peut être utilisé pour des plateaux d'amuse-bouche, des plats de traiteur et des boissons, par exemple. Ce tiroir ne doit pas être utilisé pour les légumes qui nécessitent une humidité importante.

Appuyez sur le bouton **Select** (Sélection) pour choisir entre Meats (Viandes), Deli (Traiteur) et Produce (Fruits et légumes).

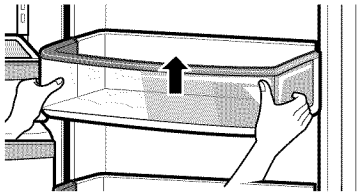


# UTILISATION DE VOTRE RÉFRIGÉRATEUR

## MODULAR DOOR BIN [CASIERS MODULAIRES DE PORTE]

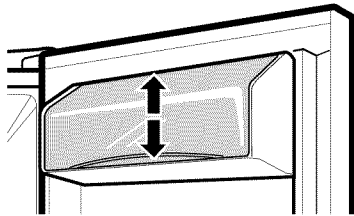
Les balconnets de la porte sont démontables pour vous permettre de le nettoyer et de les régler facilement.

1. Pour démonter un bac, simplement tirez-le vers le haut et retirez-le.
2. Pour remettre le container, le faire glisser au-dessus du bouton de soutien et appuyer vers le bas jusqu'à ce qu'il s'emboîte.



## COMPARTIMENT À PRODUITS LAITIERS

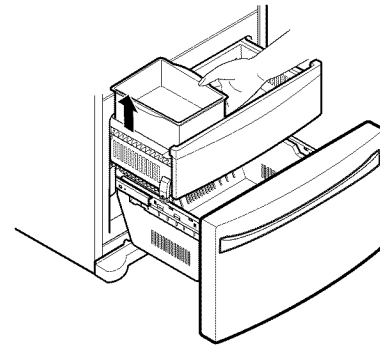
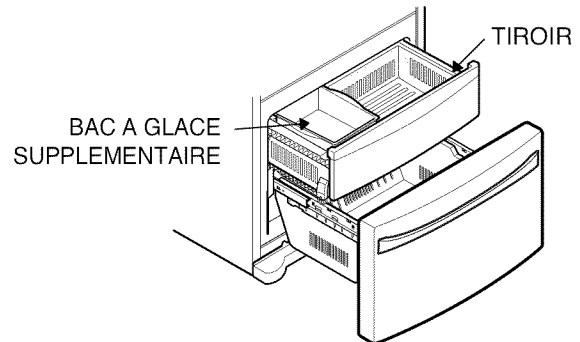
1. Pour enlever le balconnet des produits laitiers, vous n'avez qu'à le soulever et le tirer en ligne droite.
2. Pour le replacer, glissez-le en place et poussez par en bas jusqu'à ce qu'il s'immobilise.



**REMARQUE :** Le balconnet des produits laitiers ne peut se placer que dans la zone supérieure de la contre-porte de droite.

## COMPARTIMENT CONGÉLATEUR BAC A GLACE SUPPLEMENTAIRE

1. Pour séparer le bac à glace, tirez le tiroir le plus possible vers l'extérieur.
2. Soulevez doucement et retirez le bac à glace.
3. Pour réinstaller, tirez le tiroir autant que possible, mettez le bac à glace en position correcte puis repoussez le tiroir.

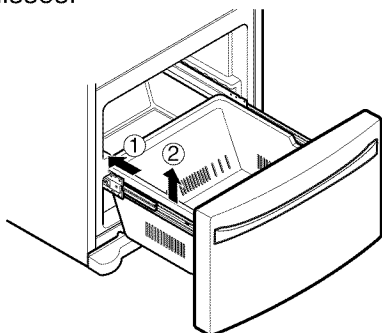


**▲ ATTENTION:** Risque de coincement ! Gardez les mains et les pieds à l'écart du bas de la porte lors de l'ouverture et de la fermeture.

## UTILISATION DE VOTRE RÉFRIGÉRATEUR

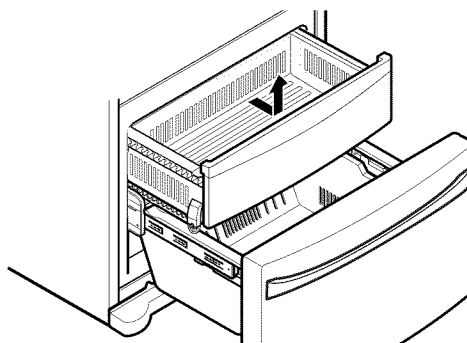
### DURABASE

1. Pour déposer le Durabase, poussez-le autant que possible vers l'arrière. Inclinez le front du Durabase et retirez-le.
2. Pour le réinstaller, introduisez le Durabase dans les coulisses.

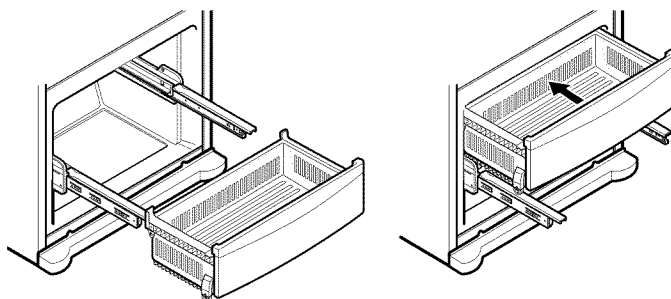


### TIROIR DE DEGAGEMENT

1. Pour l'enlever, ouvrez complètement le tiroir. Soulevez la partie avant du tiroir, puis tirez le tiroir vers l'extérieur pour le sortir.

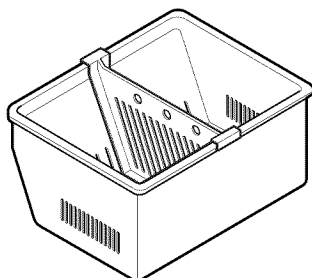


2. Pour le replacer, inclinez à peine le front du bac à légumes, introduisez le tiroir dans le cadre et poussez-le jusqu'à la position originelle.



### CLOISON DU DURABASE

La cloison du Durabase vous permet d'organiser l'espace du Durabase dans deux secteurs.



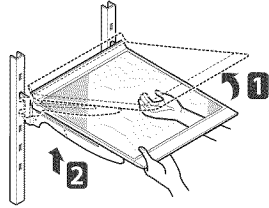
**▲ AVERTISSEMENT:** Si le séparateur Durabase est retiré, il y a suffisamment d'espace ouvert à l'intérieur pour qu'un enfant ou des animaux se glissent à l'intérieur. Afin de prévenir des risques de suffocation ou d'empêcher de coincer un animal domestique ou un enfant, NE PAS les laisser toucher ou s'approcher du tiroir.


## FILTRE A EAU

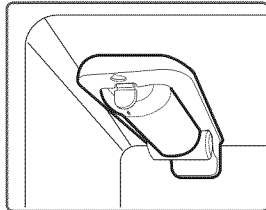
### Antes de sustituir el filtro de agua:

Si el estante superior, situado debajo del filtro de agua, está en la posición más alta, se necesitará retirar el mismo antes de sustituir el filtro de agua.

Para retirar cualquier estante - incline la parte delantera del estante en dirección de **1** y levántelo en la dirección de **2**. Saque el estante.

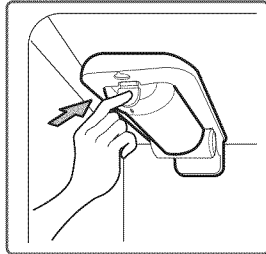


Il est conseillé de remplacer le filtre environ tous les 6 mois lorsque l'indicateur de filtre à eau (  ) s'allume ou que il y a une baisse sensible de la production d'eau ou de glaçons.



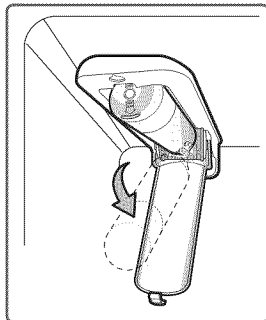
### 1. Retirer le filtre usagé.

- Appuyez sur le poussoir pour ouvrir le couvercle du filtre.



**REMARQUE :** Une petite quantité d'eau (environ 1 oz ou 25 cc) se drainera lors du remplacement du filtre.

Placez un bol sous le trou du filtre pour récupérer les déchets.

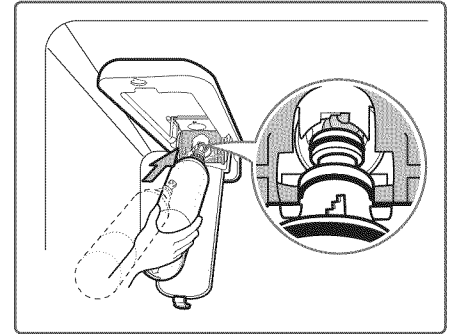


- Tirer sur le filtre vers le bas et retirer.

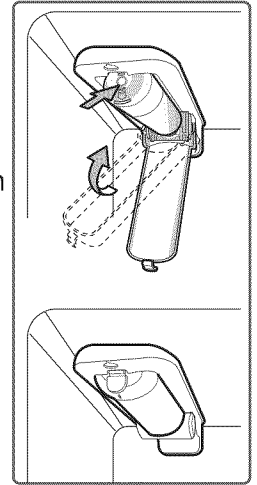
### 2. Remettre un filtre neuf.

- Retirer le filtre neuf de son emballage ainsi que la protection des joints toriques. Les « oreilles » du filtre se trouvant à l'horizontale, enfoncer le nouveau filtre dans le

trou du collecteur jusqu'à ce qu'il touche au fond.



- Firmly lock in the filter. Mettre correctement le filtre en position définitive. Le capot se remet en place, vous devez entendre un clic.

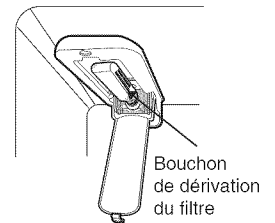


3. Une fois remplacé, faire couler environ 11 litres d'eau par le filtre avant utilisation (faire couler pendant environ 5 minutes pour rincer) et vérifier qu'il n'y ait pas de fuites. Pour réinitialiser l'affichage du statut du filtre à eau et le voyant indicateur, tenir appuyé le bouton Ultra Ice (réinitialisation du filtre) pendant au moins 3 secondes.

### 4. Bouchon de dérivation du filtre

Conservez le bouchon de dérivation du filtre. Vous devez utiliser l'élément auxiliaire du filtre en cas d'absence d'une cartouche.

- ⚠ ATTENTION: NE PAS FAIRE** fonctionner le réfrigérateur sans filtre ou élément auxiliaire installé.



**REMARQUE :** Pour vous procurer une cartouche de filtre de rechange, adressez-vous à votre revendeur Sears ou appelez le 1-800-4MY-HOME. Vous pouvez également vous rendre que le site Internet [www.sears.com/partsdirect](http://www.sears.com/partsdirect).



# FILTRE À EAU

## Fiche technique des performances

**Modèle : LG ADQ36006102-S**

Utiliser un filtre de rechange : ADQ36006102

La concentration des substances indiquées présentes dans l'eau entrant dans le circuit a été réduite à une concentration inférieure ou égale à la limite autorisée pour l'eau quittant le circuit, selon les spécifications NSF/ANSI Normes 42 et Norme 53.



Circuit testé et certifié par NSF International au regard des spécifications NSF/ANSI Norme 42 et Norme 53 pour la diminution des substances répertoriées ci-dessous.

Diminution des contaminants	Influent moyen	Concentration souhaitée et spécifiée par NSF	% Diminution moy.	Concentration moyenne d'eau dans le produit	Concentration d'eau maximale permise dans le produit	Exigences NSF de diminution	Rapport de test NSF
Goût et odeur de chlore	2,1 mg/L	2,0 mg/L ± 10%	97,2%	0,06 mg/L	N/D	≥ 50%	J-00049247
Particules nominales Classe I, ≥0,5 à < 1,0 µm	5 600 000 pts/mL	Au moins 10 000 particules/mL	98,7%	73 000 pts/mL	N/D	≥85%	J-00049282
Amiante	190 MFL	10 <sup>7</sup> à 10 <sup>8</sup> MFL; longueur des fibres supérieures à 10 µm	>99%	< 1MLF	N/D	≥99%	J-0004928
Atrazine	0,0094 mg/L	0,009 mg/L ± 10%	94,7%	0,00005 mg/L	0,003 mg/L	N/D	J-00049293
Benzène	0,016 mg/L	0,015 mg/L ± 10%	96,7%	0,005 mg/L	0,005 mg/L	N/D	J-00049300
Carbofuran	0,08 mg/L	0,08 mg/L ± 10%	98,1%	0,002 mg/L	0,04 mg/L	N/D	J-00049294
Lindane	0,002 mg/L	0,002 mg/L ± 10%	98,2%	0,00004 mg/L	0,0002 mg/L	N/D	J-00051975
P-dichlorobenzène	0,22 mg/L	0,225 mg/L ± 10%	99,8%	0,0005 mg/L	0,075 mg/L	N/D	J-00049298
Toxaphène	0,014 mg/L	0,015 mg/L ± 10%	93%	0,001 mg/L	0,003 mg/L	N/D	J-00049302
2,4-D	0,213 mg/L	0,210 mg/L ± 10%	95,2%	0,009 mg/L	0,07 mg/L	N/D	J-00049284
Plomb pH @ 6,5	0,150 mg/L	0,15 mg/L ± 10%	>99,3%	0,001 mg/L	0,010 mg/L	N/D	J-00051974
Plomb pH @ 8,5	0,150 mg/L	0,15 mg/L ± 10%	>99,3%	0,001 mg/L	0,010 mg/L	N/D	J-00049277
Mercure @ pH 6,5	0,0059 mg/L	0,006 mg/L ± 10%	96,1	0,0002 mg/L	0,002 mg/L	N/D	J-00053886
Mercure @ pH 8,5	0,0058 mg/L	0,006 mg/L ± 10%	90,1	0,0006 mg/L	0,002 mg/L	N/D	J-00051972
Sporocyste*	120 000 sporocyste /L	50 000 sporocyste /L minimum	99,99%	<1 sporocyste /L	N/D	≥99,95%	J-00049281

\* Basé sur l'utilisation des oocystes *Cryptosporidium parvum*.

## FILTRE À EAU

Spécifications de l'alimentation d'eau	
Débit d'utilisation	1,9 l/min
Alimentation en eau	Eau potable
Pression de l'eau	138 à 827 kPa
Température de l'eau	0,6°C à 38°C

Il est essentiel de suivre les recommandations du fabricant relatives à l'installation, à l'entretien et au remplacement du filtre pour assurer à l'appareil un fonctionnement conforme aux performances annoncées.

**Remarque :** Les tests ont été effectués dans des conditions de laboratoire et les performances peuvent être différentes en situation d'utilisation réelle.

Filtre de rechange : ADQ36006102

Pour connaître le tarif des éléments de rechange (consommables), appelez le 1-800-469-4663 ou visitez notre site Web : [www.sears.com/partsdirect](http://www.sears.com/partsdirect)

3M est une marque commerciale de 3M Company.  
NSF est une marque commerciale de NSF International.  
© 2009 3M Company. Tous droits réservés

### AVERTISSEMENT

**Pour réduire les risques liés à l'ingestion de contaminants : N'utilisez pas cet appareil avec une eau dont la qualité microbiologique n'est pas sûre ou est inconnue sans procéder à une désinfection appropriée en amont et en aval du système.** Système d'utilisation avant d'installer et d'utiliser cet appareil remplacement du filtre pour assurer à l'appareil un fonctionnement conforme Numéro EPA : 10350-MN-005

### ATTENTION

**Pour réduire les risques de dégâts des biens immobiliers causés par les fuites d'eau :**

- **Lisez et suivez** les Instructions d'utilisation avant d'installer et d'utiliser cet appareil.
- L'installation et l'utilisation **DOIVENT** être conformes aux normes locales en matière de plomberie.
- **N'installez pas** l'appareil si la pression d'alimentation en eau est supérieure à 827 kPa. Si vous n'êtes pas sûr de savoir comment vérifier la pression d'alimentation en eau, adressez-vous à un plombier professionnel.
- **Ne raccordez pas** l'appareil à un circuit d'alimentation en eau dans lequel des coups de bélier peuvent se produire. Dans le cas où des coups de bélier se produisent dans le circuit d'alimentation en eau, vous devez installer un dispositif antibélier. Si vous n'êtes pas sûr de savoir comment vérifier ce problème, adressez-vous à un plombier professionnel.
- **Ne raccordez pas** l'appareil à un circuit d'alimentation en eau chaude. La température maximale de fonctionnement du filtre de l'appareil est de 38°C.
- **Protégez le filtre du gel.** Vidangez le filtre lorsque la température descend en dessous de 4,4°C.
- Le filtre jetable doit être remplacé tous les 6 mois ou davantage en fonction de l'usage.

# FILTRE À EAU

State of California  
Department of Public Health  
Water Treatment Device  
Certificate Number  
09 - 2019

Date Issued: December 15, 2009

---

---

**Trademark/Model Designation**

ADQ36006102-S

**Replacement Elements**

ADQ36006102

---

**Manufacturer:** Sears Brands Management Corporation

---

The water treatment device(s) listed on this certificate have met the testing requirements pursuant to Section 116830 of the Health and Safety Code for the following health related contaminants:

**Microbiological Contaminants and Turbidity**

Cysts

**Inorganic/Radiological Contaminants**

Asbestos

Lead

Mercury

**Organic Contaminants**

2,4-D Reduction

Atrazine

Benzene

Carbofuran

Lindane

p-Dichlorobenzene

Toxaphene

---

**Rated Service Capacity:** 200 gal

**Rated Service Flow:** 0.5 gpm

---

**Conditions of Certification:**

### **! AVERTISSEMENT**



#### **Risque d'explosion**

Utilisez des nettoyeurs ininflammables. Autrement, vous risquez de provoquer un incendie, une explosion, voire la mort.

Le réfrigérateur et le congélateur se décongèlent automatiquement. Pourtant, nettoyez ces deux compartiments au moins une fois par mois afin d'éviter les odeurs. Essayez les déversements immédiatement.

### **CONSEILS GÉNÉRAUX DE NETTOYAGE**

- Débranchez le réfrigérateur ou coupez l'alimentation.
- Démontez toutes les pièces démontables, telles que tablettes, bacs, etc. Adressez-vous aux sections pertinentes de Utilisation de votre réfrigérateur pour lire les instructions de démontage.
- Utilisez une éponge propre ou un tissu doux et du détergent neutre avec de l'eau tiède. N'utilisez pas des nettoyeurs abrasifs ou corrosifs.
- Lavez à la main, rincez et asséchez toutes les surfaces au complet.
- Branchez le réfrigérateur ou reconnectez l'alimentation.

### **EXTÉRIEUR**

Les surfaces extérieures en métal peint encaustiqué aident à prévenir la rouille. Ne cirez pas les pièces en plastique. Cirez les surfaces en métal peint au moins deux fois par an avec de la cire pour des appareils ménagers (ou cire auto luisante). Appliquez la cire avec un tissu propre et doux. Pour les produits ayant des surfaces extérieures en acier inoxydable, utilisez une éponge propre ou un tissu doux et un détergent neutre avec de l'eau tiède. N'utilisez pas des nettoyeurs abrasifs ou corrosifs. Asséchez complètement avec un tissu doux.

No utilice cera para electrodomésticos, lejía u otros productos que contengan color sobre acero inoxidable.

**INTÉRIEUR (permettez au congélateur de se réchauffer un peu pour éviter que le tissu se colle aux parois)**

Pour favoriser l'élimination des odeurs, laver l'intérieur du réfrigérateur avec un mélange d'eau tiède et de bicarbonate de soude. Mélanger deux cuillères à soupe de bicarbonate de soude dans un litre d'eau (26 g de bicarbonate de soude dans un litre d'eau). Veiller à ce que le bicarbonate de soude soit complètement dissous de manière à ne pas rayer les surfaces du réfrigérateur.

**! ATTENTION:** En nettoyant l'intérieur, n'aspergez pas d'eau.

### **COMPARTIMENTS CONTRE-PORTE ET JOINTS DES PORTES**

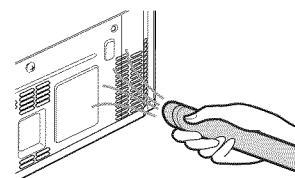
N'utilisez pas de cires nettoyantes, de détergents concentrés, de lessives ni de nettoyeurs contenant du pétrole dans les pièces en plastique du réfrigérateur.

### **PIÈCES EN PLASTIQUE**

N'utilisez pas de nettoyeurs de fenêtres, d'abrasifs ni de fluides inflammables. Ceux-ci peuvent égratigner ou endommager les matériaux.

### **SERPENTINS DE CONDENSATION**

Utilisez un aspirateur muni de l'élément approprié pour nettoyer le capot et les prises d'aération.



### **REMPACEMENT DE L'AMPOULE D'ÉCLAIRAGE**

#### **! AVERTISSEMENT**

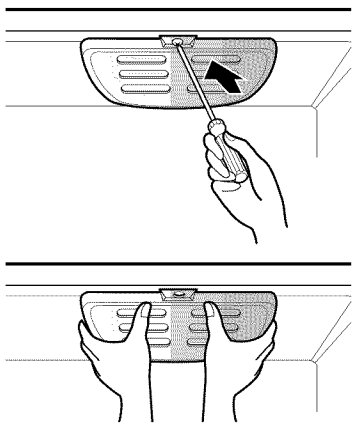
##### **Risque de choc électrique**

Si vous remplacez l'ampoule, débrancher le réfrigérateur ou couper le courant.

**REMARQUE :** La lumière du réfrigérateur est une LED et seul un technicien qualifié devrait s'en occuper.

### Remplacer l'ampoule du compartiment du congélateur

1. Débranchez le cordon d'alimentation du réfrigérateur de la prise secteur.
2. Retirer la vis à l'aide d'un tournevis cruciforme.
3. Attraper la capot et le tirer vers le bas.
4. Vérifiez que l'ampoule n'est pas trop chaude au toucher. Faire pivoter l'ampoule dans le sens inverse des aiguilles d'une montre.
5. Remplacez-la par une ampoule neuve similaire de 60 watts.
6. Insérez les attaches situées à l'arrière du couvercle dans les fentes correspondantes de la paroi supérieure du compartiment congélateur. Poussez vers le haut sur l'avant du couvercle pour le cliquer en place.
7. Remettre la vis à l'aide d'un tournevis cruciforme.



**▲ ATTENTION:** N'INTRODUISEZ PAS les doigts à l'intérieur du couvercle. L'ampoule peut être chaude.

- Une fois terminé, rebrancher le réfrigérateur et reconfigurer les commandes.

### COUPURE D'ÉNERGIE

S'il y a une coupure d'énergie, appelez la compagnie d'énergie et demandez combien de temps durera la coupure.

1. Si l'énergie est coupée pendant 24 heures ou moins, gardez les portes du réfrigérateur bien fermées pour éviter que les aliments se réchauffent et se décongèlent.
2. En cas de coupure de courant pendant plus de 24 heures, retirer tous les aliments congelés et les ranger dans un compartiment à froid pour les aliments.

### QUAND VOUS PARTEZ EN VACANCES

Si vous choisissez de laisser le réfrigérateur en fonctionnement pendant votre absence, suivez ces instructions afin de préparer votre réfrigérateur avant de partir.

1. Consommez tous les produits périssables et congelez le reste.
2. Eteignez la machine à glaçons et videz le bac à glace.

Si vous choisissez d'éteindre le réfrigérateur pendant votre absence, suivez ces instructions.

1. Retirez tous les aliments du réfrigérateur.
2. Nettoyez le réfrigérateur, essuyez-le et asséchez-le au complet.
3. Utilisez du ruban adhésif ou un morceau de bois pour empêcher les portes de se fermer. L'entrée d'air évitera que les odeurs et la moisissure se produisent.

### QUAND VOUS DÉMENAGEZ

Quand vous déménagez votre réfrigérateur à une nouvelle maison, suivez ces instructions pour le préparer au déménagement.

1. Retirez tous les aliments du réfrigérateur et stockez tous les aliments surgelés avec de la glace sèche.
  2. Débranchez le réfrigérateur.
  3. Nettoyez-le, essuyez-le et séchez-le au complet.
  4. Démontez toutes les pièces démontables, emballez-les correctement et rangez-les toutes ensemble pour éviter qu'elles bougent et se brisent pendant le déménagement. Adressez-vous aux sections pertinentes de **Utilisation de votre réfrigérateur** pour lire les instructions de démontage.
  5. Selon le modèle, levez le front du réfrigérateur pour qu'il roule plus facilement OU vissez-le aux pattes de nivellement pour éviter d'égratigner le plancher. Lisez la section **Fermeture de la porte**.
  6. Fermez les portes et assurez-les avec du ruban adhésif et collez le cordon d'alimentation au réfrigérateur avec du ruban adhésif.
- Une fois arrivé dans votre nouvelle maison, réinstallez tout suivant les instructions de la section **Installation de votre réfrigérateur**.

## À PROPOS DE LA MACHINE À GLAÇONS AUTOMATIQUE

### MACHINE À GLAÇONS AUTOMATIQUE

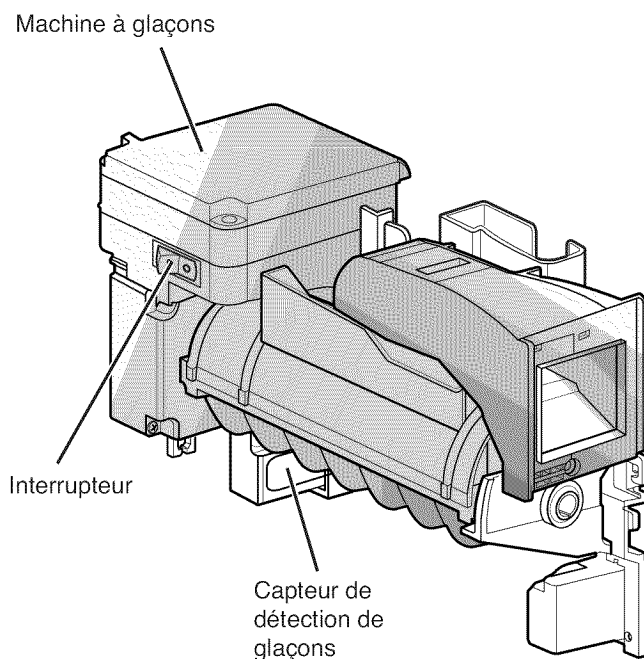
Les glaçons sont fabriqués automatiquement par la machine à glaçons, puis envoyés dans le distributeur. La fabrication de glace produit entre 70 et 210 glaçons par période de 24 heures en fonction de la température du compartiment congélateur, de la température ambiante, du nombre d'ouvertures de la porte et d'autres conditions de fonctionnement.

- Un réfrigérateur nouvellement installé prend de 12 à 24 heures pour produire de la glace.
- La production de glace cesse lorsque le bac à glace est plein.
- Pour éteindre cet appareil automatique à glaçons, mettre l'interrupteur sur OFF(O). Pour allumer cet appareil automatique à glaçons, mettre l'interrupteur sur ON(I).
- La pression de l'eau doit se situer entre 20 et 120 psi sur les modèles sans filtre à eau et entre 40 et 120 psi sur les modèles en ayant un pour que l'appareil soit capable de générer la quantité normale de glaçons.

### ⚠ AVERTISSEMENT

#### Risque de blessures personnelles

NE PLACEZ PAS les doigts ni les mains dans le mécanisme de fabrication de glace automatique quand le réfrigérateur est branché.



## À PROPOS DE LA MACHINE À GLAÇONS AUTOMATIQUE

### ▲ MISES EN GARDE

- La première production de glace et d'eau peut contenir des particules ou des odeurs provenant de la conduite d'eau ou du réservoir.
- Jeter les premiers lots de glaçons.
- Cette précaution s'impose également si le réfrigérateur n'a pas servi depuis longtemps.
- Ne placez jamais de cannettes de boisson ou d'autres aliments dans le bac à glaçons, par exemple dans le but de les refroidir rapidement.
- Si la couleur de la glace est douteuse, vérifiez le filtre à eau et l'alimentation d'eau. Si le problème persiste, contactez Sears ou un centre de SVA. N'utilisez pas de glace ni d'eau tant que le problème n'est pas corrigé.
- Gardez les enfants à l'écart du distributeur. Ils pourraient jouer avec les commandes et les endommager.
- Le givre peut aussi obstruer le passage de la glace si l'on utilise uniquement de la glace broyée. Enlevez le givre qui s'accumule à cet endroit.
- N'utilisez jamais de la verrerie de cristal ou de la vaisselle fragiles pour recueillir la glace. Ces contenants sont susceptibles de se briser et des éclats peuvent se retrouver dans la glace.
- Mettez d'abord la glace dans le verre avant de le remplir d'eau ou d'une autre boisson. La glace risque de vous éclabousser si du liquide s'y trouve déjà.
- N'utilisez jamais un verre très étroit ou profond. La glace peut se coincer, obstruer le passage et affecter le fonctionnement du réfrigérateur.
- Gardez le verre à une distance suffisante du bec verseur. Une distance trop courte peut empêcher la glace de tomber.
- Pour prévenir les blessures corporelles, gardez les mains à l'écart de la porte et du passage de la glace.
- Ne jamais retirer le capot du distributeur.
- Si l'eau ou les glaçons ne sortent pas normalement, coupez l'arrivée d'eau et contactez le Sears Home Service (SAV domestique) au **1-800-4 MY HOME**.

### QUAND VOUS DEVEZ METTRE L'INTERRUPTEUR DE LA MACHINE À GLAÇONS EN OFF (O)

- Lorsque l'approvisionnement d'eau sera coupée pendant plusieurs heures.
- Lorsque le container à glaçons est enlevé pendant plus d'une minute ou deux.
- Lorsque le réfrigérateur ne sera pas utilisé pendant plusieurs jours.

**REMARQUE:** Il faut vider le container à glaçons lorsque l'appareil à cubes de glace est éteint (position Off (O)).

### BRUITS NORMAUX QUE VOUS POUVEZ ENTENDRE

- La vanne à eau de la machine à glaçons bourdonnera lorsque la machine se remplit d'eau. Si l'interrupteur est en position **On (I)**, elle bourdonnera même si elle n'a pas encore été raccordée à l'eau. Pour arrêter le bourdonnement, mettez l'interrupteur en **Off (O)**.
- **REMARQUE:** Si vous gardez l'interrupteur en position **On (I)** avant de raccorder le conduit d'eau, vous pouvez endommager la machine à glaçons.
- Vous entendrez le bruit des cubes tombant dans le bac et de l'eau coulant dans les tuyaux lors du remplissage de la machine à glaçons.

### PRÉPARATION POUR LES VACANCES

Mettez l'interrupteur de la machine à glaçons en **Off (O)** et coupez l'approvisionnement d'eau du réfrigérateur.

**REMARQUE:** Le bac à glaçons doit toujours être vidé lorsque le bouton marche/arrêt de la machine à glace est sur la position **Off (O)**.

Si la température ambiante tombe au-dessous du niveau de congélation, contactez un technicien qualifié pour drainer le système d'approvisionnement d'eau, afin d'éviter des dommages matériels graves à cause d'un conduit ou d'un raccordement d'eau brisé.

## RACCORDEMENT DU CONDUIT D'EAU

### AVANT DE COMMENCER

Cette arrivée d'eau n'est pas garantie par le fabricant ou le revendeur du réfrigérateur ou de la machine à glaçons. Suivez ces instructions avec soin pour minimiser le risque de dommages coûteux.

Le martèlement de l'eau (les coups de l'eau à l'intérieur des tuyaux) à l'intérieur de la tuyauterie de la maison peut endommager les pièces du réfrigérateur et provoquer des fuites ou des inondations. Contactez un plombier qualifié pour corriger le martèlement de l'eau avant d'installer le conduit d'approvisionnement d'eau au réfrigérateur.

Pour éviter de brûler ou d'endommager le produit, ne raccordez pas le conduit d'eau au conduit d'eau chaude.

Si vous utilisez votre réfrigérateur avant de raccorder le conduit d'eau, assurez-vous que l'interrupteur est en position **O (off)**.

N'installez pas la tuyauterie de la machine à glaçons dans des secteurs où les températures tombent au-dessous du niveau de congélation.

Si vous utilisez un dispositif électrique (tel qu'une perceuse) lors de l'installation, assurez-vous que le dispositif aura une double isolation ou sera mis à la terre de façon à réduire le risque de choc électrique ou sera alimenté à piles.

Si un **système de filtration d'eau par osmose inverse** est raccordé à votre alimentation d'eau froide, cette arrivée d'eau n'est pas garantie par le fabricant le revendeur du réfrigérateur ou de la machine à glaçons. Veuillez suivre attentivement les instructions suivantes pour réduire les risques de dégâts causés par l'eau, pouvant s'avérer coûteux.

Si un **système de filtration d'eau à osmose inverse** est connecté à votre canalisation d'eau froide, la pression d'eau de ce système doit être d'au moins 40 à 60 psi (2,8 kgf/cm<sup>2</sup> ~ 4,2 kgf/cm<sup>2</sup>, c'est-à-dire qu'il faut moins de 2 ou 3 secondes pour remplir un verre d'une capacité de 20 cl).

Si la pression d'eau du système à osmose inverse est inférieure à 21 psi (1,5 kgf/cm<sup>2</sup>, c'est-à-dire qu'il faut plus de 4 secondes pour remplir un verre d'une capacité de 20 cl) :

Vérifiez que le filtre à sédiments du système à osmose inverse n'est pas bouché. Remplacez le filtre si nécessaire.

Laissez le réservoir de stockage du système à osmose inverse le temps qu'il se remplisse à nouveau après un usage intensif.

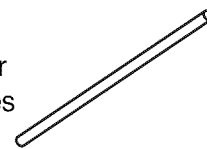
Si le problème de pression d'eau du système à osmose inverse persiste, faites appel à un plombier qualifié et agréé.

Toutes les installations doivent être conformes aux contraintes des codes de plomberie locaux.

**REMARQUE:** Utilisez des protecteurs pour les yeux.

### CE DONT VOUS AVEZ BESOIN

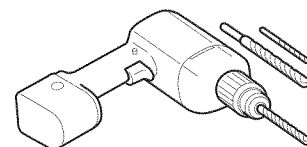
- **Tuyau de cuivre**, de 1/4 de diamètre extérieur pour raccorder le réfrigérateur à la source d'eau. Assurez-vous que les deux extrémités du tuyau ont une coupe carrée.



Pour déterminer la longueur du tuyau à utiliser, mesurez la distance entre la vanne à eau à la partie arrière du réfrigérateur et le conduit d'approvisionnement d'eau et ajoutez-le 8 pieds (2,4 m). Assurez-vous qu'il y a une section de tuyau supplémentaire (environ 8 pieds [2,4 m] bouclée dans 3 coudes d'un diamètre d'environ 10. [25 cm]) pour permettre la séparation du réfrigérateur du mur après l'installation.

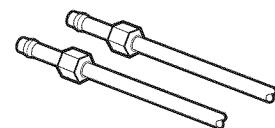
- **Une source d'eau froide.** La pression d'eau doit être entre 20 et 120 p.s.i. pour les modèles sans filtre à eau et entre 40 et 120 p.s.i. pour les modèles avec filtre à eau.

- **Perceuse.**
- **1/2. ou clé de serrage réglable.**

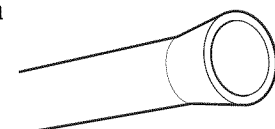


- **Tournevis courant et cruciforme.**

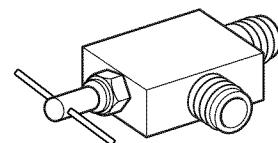
- **Deux écrous de serrage d'un diamètre extérieur de 1/4. et viroles (manches)** pour raccorder le tuyau de cuivre à la vanne de sectionnement et à la vanne à eau du réfrigérateur.



- Si votre conduit d'eau en cuivre a les extrémités évasées, vous aurez besoin d'un **adaptateur** (disponible dans les magasins d'articles de plomberie) pour raccorder le conduit d'eau au réfrigérateur OU vous pouvez couper le bout évasé avec un coupeur de tuyaux et utiliser un dispositif de serrage.



- **La vanne de sectionnement pour raccorder le conduit d'eau froide.** La vanne de sectionnement doit avoir une entrée d'eau avec un diamètre intérieur minimal de 5/32. au point raccordement au CONDUIT D'EAU FROIDE. Les vannes de sectionnement du type étrier sont incluses dans plusieurs kits d'approvisionnement d'eau. Avant d'en acheter, assurez-vous qu'une vanne du type étrier est conforme aux codes de plomberie locaux.



**REMARQUE:** On ne doit pas utiliser de vanne à eau à sellette auto perforante.



## RACCORDEMENT DU CONDUIT D'EAU

### INSTRUCTIONS D'INSTALLATION

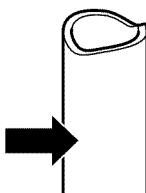
Installez la vanne de sectionnement dans le conduit d'eau potable plus fréquemment utilisé.

#### 1. COUPEZ L'APPROVISIONNEMENT D'EAU PRINCIPAL

Fermez la vanne la plus proche pour soulager la pression du conduit.

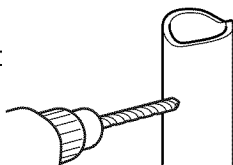
#### 2. CHOISISSEZ L'EMPLACEMENT DE LA VANNE

Choisissez un emplacement facilement accessible pour la vanne. Il est mieux de la placer dans un tuyau d'eau vertical. S'il est nécessaire de la placer dans un tuyau d'eau horizontal, installez-la dans la partie supérieure ou sur le côté, plutôt que dans la partie inférieure, pour éviter les sédiments du tuyau d'eau.



#### 3. PERCEZ UN TROU POUR LA VANNE

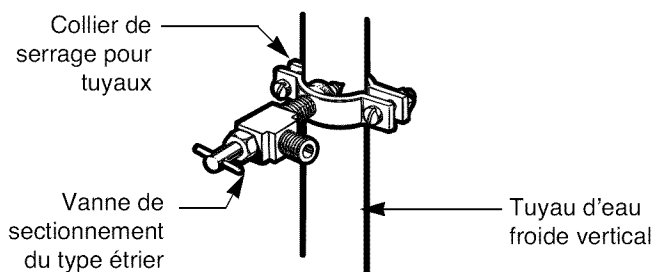
Percez un trou de 1/4 po dans la conduite d'eau en utilisant un foret bien affuté. Enlever les bavures résultant du perçage. Bien faire attention de ne pas laisser l'eau couler dans la perceuse. Le fait de ne pas percer de trou de 1/4 po pourrait entraîner une baisse de la production de glaçons ou une production de glaçons plus petits.



**REMARQUE :** La conduite de raccordement ne peut pas être un tube en plastique blanc. Les plombiers agréés ne doivent utiliser que des tuyaux en cuivre NDA n° 49595 ou 49599 ou des tuyaux en polyéthylène réticulés (PEX).

#### 4. SERREZ LA VANNE DE SECTIONNEMENT

Serrez la vanne de sectionnement au tuyau d'eau froide avec un collier de serrage pour tuyaux.

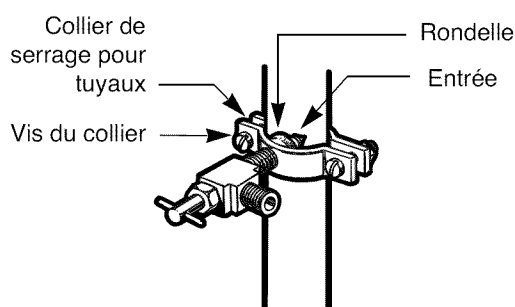


**REMARQUE:** Les Codes de plomberie de l'état de Massachusetts 248CMR doivent être respectés. Les vannes du type étrier sont illégales et leur utilisation est interdite dans le Massachusetts. Consultez avec un plombier agréé.

#### 5. SERREZ LE COLLIER DE SERRAGE POUR TUYAUX

Serrez les vis du collier de serrage jusqu'à ce que la rondelle d'étanchéité commence à se dilater.

**REMARQUE:** Ne serrez pas en excès ou vous risquez d'endommager la tuyauterie.



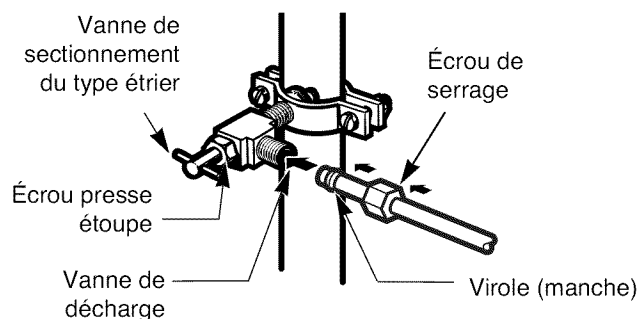
#### 6. ACHÉMINÉZ LA TUYAUTERIE

Acheminez la tuyauterie entre le conduit d'eau froide et le réfrigérateur. Acheminez la tuyauterie à travers le trou percé dans le mur ou le plancher (derrière le réfrigérateur ou près de sa base) aussi proche que possible.

**REMARQUE:** Assurez-vous qu'il y a une section de tuyau supplémentaire (environ 8 pieds [2,4 m] bouclée dans 3 coudes d'un diamètre d'environ 10. [25 cm]) pour permettre la séparation du réfrigérateur du mur après l'installation.

#### 7. RACCORDEZ LA TUYAUTERIE À LA VANNE

Placez l'écrou de serrage et la virole (manche) pour le tuyau de cuivre dans le bout du tuyau et raccordez-le à la vanne de sectionnement. Assurez-vous que la tuyauterie est complètement introduite dans la vanne. Serrez l'écrou de fortement.



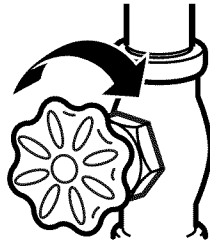
**REMARQUE:** Les Codes de plomberie de l'état de Massachusetts 248CMR doivent être respectés. Les vannes du type étrier sont illégales et leur utilisation est interdite dans le Massachusetts. Consultez avec un plombier agréé.

## RACCORDEMENT DU CONDUIT D'EAU

### 8. LAVAGE DE LA TUYAUTERIE

Ouvrez l'approvisionnement principal d'eau et laissez couler l'eau jusqu'à ce que l'eau soit propre.

Fermez le passage d'eau avec la vanne après avoir laissé s'écouler environ un quart d'eau dans la tuyauterie.



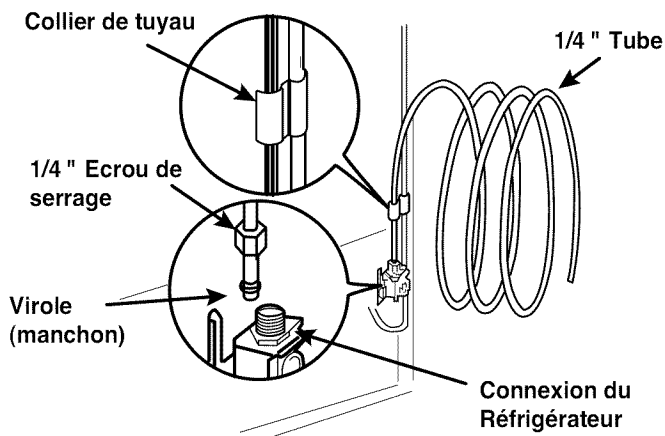
### 9. RACCORDEMENT DU TUYAU AU RÉFRIGÉRATEUR

#### REMARQUE:

• Avant de raccorder la conduite d'eau au réfrigérateur, vérifiez que le cordon d'alimentation du réfrigérateur n'est pas banché sur la prise secteur.

1. Enlevez la bague en plastique flexible du robinet d'adduction d'eau.
2. Placez l'écrou de serraer et la virole (manchon) à extrémité du tuyau comme indiqué sur la figure.
3. Placez extré du tube de cuivre dans la connexion aussi loin que possible. Tout en fixant la tuyauterie, serrez le connecteur.

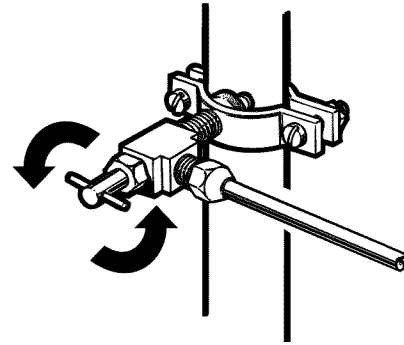
▲ **ATTENTION:** Vérifiez l'absence d'écoulement d'eau au niveau des raccords des canalisations.



▲ **ATTENTION:** Vérifiez l'absence d'écoulement d'eau au niveau des raccords des canalisations.

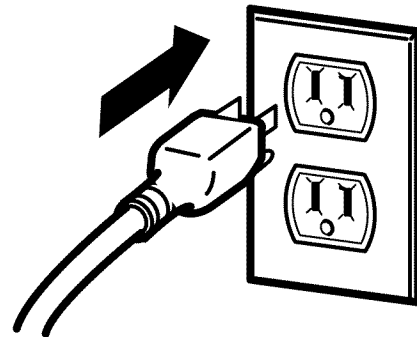
### 10. SECTIONNEMENT DE L'EAU

Serrez tous les raccords présentant des fuites.



### 11. BRANCHEZ LE RÉFRIGÉRATEUR

Placez le serpentin de la tuyauterie pour qu'il ne vibre pas contre la partie arrière du réfrigérateur ou contre le mur. Rapprochez le réfrigérateur au mur.



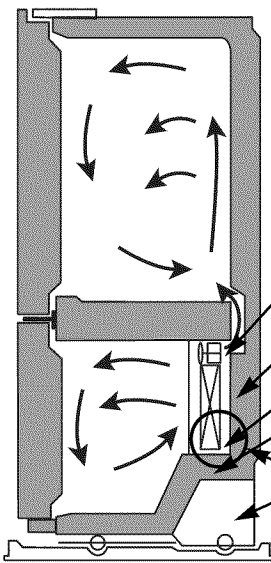
### 12. DÉMARREZ LA MACHINE À GLAÇONS

Réglez l'interrupteur de la machine à glaçons dans la position **ON (I)**.

**REMARQUE:** un réfrigérateur nouvellement installé peut nécessiter plusieurs heures avant de pouvoir faire de la glace.

## BRUITS NORMAUX QUE VOUS POUVEZ ENTENDRE

Votre nouveau réfrigérateur peut faire des bruits que votre ancien réfrigérateur ne faisait pas. Puisque ces bruits seront nouveaux pour vous, vous pouvez vous en préoccuper. La plupart de ces nouveaux bruits sont normaux. Les surfaces dures, comme le plancher, les murs et les armoires peuvent augmenter la résonance des bruits. La liste suivante décrit les types de bruits et ce qui les provoque.

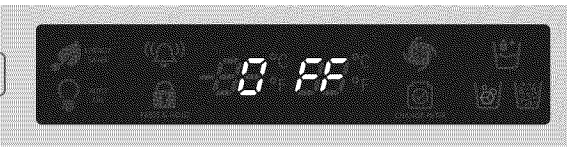


- Un « clic » sonore peut se faire entendre lorsque le circuit de refroidissement s'éteint ou s'allume.
- Des crépitements peuvent provenir du flux du réfrigérant, du conduit d'eau ou des produits placés sur le réfrigérateur.
- Votre réfrigérateur est dessiné pour fonctionner plus efficacement afin de conserver vos aliments à la température désirée. Le compresseur hautement efficace peut permettre à votre nouveau réfrigérateur de fonctionner plus longtemps que l'ancien, tout en étant plus économe que les modèles antérieurs. Lors de son fonctionnement, vous pouvez entendre un son modulé ou un son aigu, ceci est normal.
- Il est possible que vous entendiez le moteur du ventilateur de l'évaporateur faisant circuler l'air à travers les compartiments réfrigérateur et congélateur.
- À la fin de chaque cycle, il est possible que vous entendiez un bruit de glouglou produit par la circulation du réfrigérant dans votre réfrigérateur.
- La contraction et l'expansion des parois intérieures peuvent provoquer des bruits d'éclatement.
- L'égouttement d'eau dans le radiateur de décongélation pendant le cycle de décongélation peut provoquer un bruit de grésillement.
- Il est possible que vous entendiez l'air soufflé par le ventilateur du condensateur, traversant le condensateur.
- Il est possible que vous entendiez l'écoulement d'eau vers le bac de drainage pendant le cycle de décongélation.
- Vous pouvez entendre le bruit provenant du ventilateur du compartiment à glaçons du congélateur ou du côté gauche du réfrigérateur lorsque les portes sont ouvertes.

## LE RÉFRIGÉRATEUR NE FONCTIONNE PAS

Vérifiez si...

Alors...

Le cordon d'alimentation est débranché.	Branchez correctement le cordon à une prise ayant le voltage approprié.
Un fusible a sauté ou le disjoncteur a coupé le courant.	Remplacez le fusible ou réinitialiser le disjoncteur. Vérifier que le circuit domestique ne soit pas surchargé.
Le réfrigérateur est en cycle de décongélation.	Attendez environ 30 minutes jusqu'à la fin du cycle de décongélation.
Le réfrigérateur est en mode Démonstration dans un magasin. 	Le réfrigérateur est passé en mode Démo (Démonstration). Le mode Démonstration désactive le système de refroidissement ; seuls l'éclairage et l'écran fonctionnent normalement. Pour le désactiver, ouvrez une porte puis appuyez simultanément sur les boutons <b>Ultra Ice</b> et <b>Refrigerator Temp</b> pendant 5 secondes. Vous verrez s'afficher les réglages précédemment enregistrés lorsque le mode Démo est désactivé.

## GUIDE DE DÉPANNAGE

### L'ÉCLAIRAGE NE FONCTIONNE PAS

Vérifiez si...	Alors...
Le cordon d'alimentation est débranché.	Branchez correctement le cordon à une prise ayant le voltage approprié.
L'ampoule d'éclairage n'est pas bien serrée.	Débrancher le frigo. Remplacez l'ampoule. Branchez le réfrigérateur et réinitialisez la commande du réfrigérateur.
L'ampoule d'éclairage est grillée.	Remplacez l'ampoule grillée par une autre du même voltage, dimension et forme disponible dans le magasin spécialisé de votre région. (Lisez la section <b>Changement de l'ampoule d'éclairage</b> aux pages 124-125.) Débrancher le frigo avant remplacement.

### VIBRATIONS OU CRÉPITEMENTS

Vérifiez si...	Alors...
Le réfrigérateur est solidement appuyé sur le plancher.	Le plancher n'est pas assez solide ou égal ou les pattes de nivellement ont besoin d'un nouveau réglage. Lisez la section <b>Installation</b> aux pages 101, 109.

### LE MOTEUR DU COMPRESSEUR SEMBLE NE PAS FONCTIONNER ASSEZ LONGTEMPS

Vérifiez si...	Alors...
Le réfrigérateur remplacé était un modèle plus ancien.	Les réfrigérateurs modernes, ayant un espace de stockage plus grand, demandent une période de fonctionnement plus longue. <b>Même si ce réfrigérateur peut fonctionner plus longtemps que votre ancien, il consommera malgré tout moins d'énergie.</b>
La température ambiante est plus haute que la température normale.	Le moteur fonctionnera plus longtemps dans des conditions plus chaudes. Dans des températures ambiantes normales, le moteur devrait fonctionner environ 40% à 80% du temps. Dans des conditions plus chaudes, il devrait peut-être fonctionner encore plus longtemps.
La porte a été souvent ouverte ou une grande quantité d'aliments a été ajoutée.	Le fait d'introduire des aliments et d'ouvrir la porte réchauffe le réfrigérateur. Il est normal que le réfrigérateur fonctionne plus longtemps pour pouvoir réfrigérer davantage. Lisez la section <b>Guide pour le stockage d'aliments</b> à la page 114. Pour faire des économies d'énergie, essayez de sortir du réfrigérateur tout dont vous avez besoin en une seule fois, gardez les aliments de façon ordonnée pour qu'il soit plus facile de les trouver et fermez la porte aussitôt possible.
Le réfrigérateur vient d'être branché et la commande du réfrigérateur est réglée correctement.	Le réfrigérateur tardera 24 heures à réfrigérer complètement.
La commande du réfrigérateur n'est pas réglée correctement selon les conditions environnantes.	Lisez la section <b>Réglage de la configuration des commandes</b> à la page 113.
Les portes ne sont pas bien fermées.	Fermez les portes correctement. Si vous ne pouvez pas les fermer complètement, lisez Les portes ne ferment pas à la fin de ce manuel.
Le capot arrière est sale.	Un capot arrière sale peut nuire à l'aération et le moteur travaillera beaucoup plus. Nettoyez le capot arrière. Reportez-vous à la section <b>Entretien et nettoyage</b> des pages 124 et 125.

## GUIDE DE DÉPANNAGE

### LES PORTES NE FERMENT PAS COMPLÈTEMENT

Vérifiez si...

Alors...

Le réfrigérateur n'est pas nivelé.	Lisez <b>Nivellement et alignement de la porte</b> à la page 109.
Il y a des aliments qui empêchent de bien fermer la porte.	Réordonnez les aliments et les tablettes.
Le bac à glace, le couvercle du bac à légumes, les tiroirs, les tablettes, les balconnets de la porte ou les paniers sont mal placés.	Fermez les bacs correctement et placez le couvercle du bac à légumes, les tiroirs, les tablettes et les paniers correctement. Lisez la section <b>Utilisation de votre Réfrigérateur</b> aux pages 110-119.
Les joints sont collés.	Nettoyez les joints et les surfaces avec lesquels elles entrent en contact. Passer une fine couche de cire ou de brillant (polish) pour appareils domestiques sur les joints après nettoyage.
Le réfrigérateur se balance ou semble instable.	Mettez le réfrigérateur à niveau. Lisez la section <b>Nivellement et alignement de la porte</b> à la page 109.
Les portes ont été enlevées pendant l'installation du produit et mal réinstallées.	Retirez et remplacez les portes suivant les sections de <b>Poignées et portes Démontage et remplacement du réfrigérateur</b> aux pages 103-108 ou contactez un technicien qualifié.

### IL Y A DES CRISTAUX DE GLACE OU DU GIVRE DANS LES ALIMENTS SURGELÉS

Vérifiez si...

Alors...

La porte n'est pas bien fermée.	Lisez <b>Les portes ne ferment pas complètement</b> en haut.
La porte est ouverte souvent.	Si la porte est ouverte, de l'air humide et chaud entre dans le congélateur, ce qui produit la décongélation.

### LA GLACE DEGAGE UNE MAUVAISE ODEUR OU A UN MAUVAIS GOUT

Vérifiez si...

Alors...

La machine à glaçons vient d'être installée.	Jeter les premiers lots de glace pour éviter d'obtenir de la glace décolorée ou ayant un mauvais goût.
La glace a été longtemps stockée.	Jetez les vieux glaçons et remplissez le compartiment avec de l'eau fraîche.
Les aliments n'ont pas été bien enveloppés dans leurs compartiments.	Emballez les aliments de nouveau pour éviter que leur odeur se transmette aux glaçons.
L'eau contient des minéraux, tels que le sulfure.	Il peut être nécessaire un filtre à eau (ou de le remplacer) afin d'éliminer les mauvaises odeurs et goûts.
L'intérieur du réfrigérateur a besoin de nettoyage.	Lisez la section <b>Entretien et nettoyage</b> aux pages 124-125.
Le bac à glace a besoin de nettoyage.	Videz et nettoyez le bac. N'utilisez pas les vieux glaçons.

### IL Y A DE L'EAU DANS LE BAC DE DRAINAGE DE DÉCONGÉLATION

Vérifiez si...

Alors...

Le réfrigérateur est en décongélation.	L'eau sera évaporée. Il est normal que de l'eau tombe dans le bac de décongélation.
Il est plus humide que d'habitude.	Il est normal que l'eau du bac de décongélation tarde plus longtemps à être évaporée. Cela est normal lorsqu'il fait chaud ou humide.

## GUIDE DE DÉPANNAGE

### IL SEMBLE QUE LE RÉFRIGÉRATEUR FAIT BEAUCOUP DE BRUIT

Vérifiez si...

Alors...

Les bruits sont normaux dans votre réfrigérateur.	Lisez la section <b>Bruits normaux que vous pouvez entendre</b> à la page 131.
---	--

### LA MACHINE À GLAÇONS NE PRODUIT PAS OU PAS ASSEZ DE GLAÇONS

Vérifiez si...

Alors...


Installation récente.	Attendez 24 heures après l'installation de l'appareil avant de commencer à produire des glaçons. Attendez 72 heures avant d'obtenir le niveau maximum de production de glaçons.
Le réfrigérateur n'est pas raccordé à l'amenée d'eau ou le robinet de coupure de l'eau est fermé.	Raccorder la réfrigérateur à l'amenée d'eau et ouvrir complètement le robinet d'eau.
Le système de filtrage de l'eau par osmose inverse est raccordé à la conduite d'alimentation en eau froide.	Les systèmes de filtration par osmose inverse peuvent faire chuter la pression d'eau en-dessous de la quantité minimale (40 psi) et entraîner des problèmes au niveau de l'appareil à cubes de glace.
Étranglement dans la conduite d'alimentation en eau.	Un étranglement de la conduite d'alimentation peut réduire le débit d'eau. Redressez la conduite d'alimentation.
Une grande quantité de glaçons a été retirée récemment.	Attendez 24 heures afin que la machine à glaçons puisse produire plus de glaçons. <b>Remarque :</b> Un réceptacle à glace supplémentaire vous est donné et se trouve dans le congélateur pour un surplus de stockage.
La machine à glaçons n'est pas en marche.	Repérer l'interrupteur On/Off et vérifier qu'il soit en position On (I).
Il y a quelque chose sur le capteur du détecteur de glaçons.	Les substances étrangères ou le gel pouvant se trouver sur le capteur de détection de la glace peuvent interrompre la production. Vous assurer que la zone du capteur soit tout le temps propre pour que tout fonctionne parfaitement.
Le réglage de la température est trop élevé pour le congélateur.	Il faut que la température soit inférieure à 0°F pour obtenir une production de glace dans le compartiment à glaçons. Si la température est plus élevée, la production en sera affectée.
Les portes sont restées ouvertes.	Le fait de régler la température à une valeur plus basse, ou d'ouvrir les portes moins souvent peut aider à atteindre la température souhaitée.
Les portes ne sont pas bien fermées.	Si les portes ne sont pas bien fermées, la production de glace en sera affectée.
La porte du compartiment à glaçons n'est fermée correctement.	Si la porte du compartiment à glace n'est pas bien fermée, la production de glace en sera affectée. S'assurer que la porte du compartiment à glace soit bien fermée pour que l'appareil fonctionne correctement.
Ice Plus n'est pas sélectionné.	Cette fonction permet d'abaisser rapidement la température du compartiment et d'accélérer la production de glaçons.

## GUIDE DE DÉPANNAGE

### AUCUNE DISTRIBUTION DE GLACE

Vérifiez si...

Alors...

<b>Toutes les portes ne sont pas fermées complètement.</b>	La glace ne sortira pas si les portes du réfrigérateur sont ouvertes.
<b>L'afficheur est verrouillé.</b>	Tenir appuyer le bouton (  ) pendant 3 secondes pour débloquer l'afficheur et le distributeur.
<b>Ice n'est pas sélectionné sur le distributeur.</b>	Le distributeur peut être réglé pour distribuer des glaçons ou de l'eau. Vérifiez sur le panneau de commande que le mode souhaité est activé. Appuyez de manière répétée sur la touche de distribution du panneau de commande pour commuter entre les options de distribution d'eau et de glaçons. Lorsque l'option de distribution est réglée sur "glaçons", vous devez obtenir des glaçons. Lorsque cette option est réglée sur "eau", vous devez obtenir de l'eau.
<b>Le distributeur n'est pas souvent utilisé.</b>	Lorsque le distributeur de glaçons est utilisé peu souvent, les glaçons qui se trouvent dans le bac à glaçons peuvent coller les uns aux autres et empêcher le distributeur de fonctionner correctement. Vérifier dans le container que les glaçons ne soient pas collés. Le cas échéant, les séparer pour que tout fonctionne bien.
<b>Le récipient à glaçons n'est pas installé correctement.</b>	S'assure que le container à glaçons soient bien mis en place.
<b>Installation récente.</b>	Attendez 24 heures après l'installation de l'appareil avant de commencer à produire des glaçons. Attendez 72 heures avant d'obtenir le niveau maximum de production de glaçons.
<b>Les glaçons sont coincés dans la goulotte de distribution.</b>	Dégagez la goulotte du distributeur à l'aide d'un ustensile en plastique.
<b>Le distributeur de glaçons se bloque pendant la distribution de glace pilée.</b>	Mettez le sélecteur de glaçons de la position "glace pilée" sur la position "glaçons". Si la distribution de glaçons s'effectue normalement, repassez en mode "glace pilée" et réessayez.

### DISTRIBUTION D'EAU CHAUDE

Vérifiez si...

Alors...


<b>Installation récente.</b>	Attendez 24 heures après l'installation de l'appareil avant de commencer à produire de l'eau froide.
<b>Le distributeur a été récemment utilisé.</b>	L'unité possède son propre réservoir intérieur d'eau. Le capacité de stockage de l'eau est de 12 oz. (345 ml) d'eau froide.
<b>Le réfrigérateur est raccordé à une conduite d'eau chaude.</b>	Vérifiez que le réfrigérateur est raccordé à une canalisation d'eau froide.

## GUIDE DE DÉPANNAGE

### AUCUNE DISTRIBUTION D'EAU

Vérifiez si...

Alors...

<b>L'afficheur du distributeur est verrouillé.</b>	Tenir appuyer le bouton (  ) pendant 3 secondes pour débloquer l'afficheur et le distributeur.
<b>Installation récente.</b>	Nettoyez le système d'eau en faisant circuler l'eau puis remplissez-le.
<b>Les portes du congélateur ou du réfrigérateur ne sont pas bien fermées.</b>	L'eau ne sortira pas si les portes du réfrigérateur sont ouvertes.
<b>Le réfrigérateur n'est pas raccordé à l'amenée d'eau ou le robinet de coupure de l'eau est fermé.</b>	Raccorder le réfrigérateur à l'amenée d'eau et ouvrir complètement le robinet d'eau.
<b>La pression d'eau est inférieure à 20 psi.</b>	La pression de l'eau amenée dans la maison peut affecter le débit du distributeur.
<b>Un système domestique de filtrage de l'eau ou d'osmose inverse est utilisé.</b>	Ceci peut faire chuter la pression d'eau. Il n'est pas recommandé de raccorder la conduite d'eau à un système par osmose inverse si l'on veut que l'appareil fonctionne correctement.
<b>Le distributeur n'est pas réglé pour distribuer l'eau.</b>	Le distributeur peut être réglé pour la glace ou l'eau. S'assurer que le tableau soit bien réglé. Appuyer sur le bouton du distributeur sur le tableau pour passer des options < glace > à < eau >.
<b>Le filtre à eau doit être remplacé.</b>	Il faut remplacer le filtre tous les 6 mois ou davantage en fonction de l'usage. Le filtre peut se boucher au bon d'un moment, des particules étrangères s'y accumulant et la pression d'eau chuter.

### IL EST TRÈS DIFFICILE D'OUVRIER LES PORTES

Vérifiez si...

Alors...

Les joints sont sales ou collants.	Nettoyez les joints et leurs surfaces de contact. Appliquez une fine couche de cire dans les joints après le nettoyage.
Vous voulez rouvrir la porte peu de temps après l'avoir ouverte.	Lorsque vous ouvrez la porte, de l'air chaud entre dans le réfrigérateur. Le refroidissement brusque de l'air chaud crée un vide. S'il est difficile d'ouvrir la porte, attendez 5 minutes pour permettre que la pression d'air s'équilibre et essayez alors de l'ouvrir plus facilement.



## GUIDE DE DÉPANNAGE

### LA TEMPÉRATURE EST TRÈS CHAUDE OU IL Y A DE L'HUMIDITÉ INTÉRIEURE

Vérifiez si...

Alors...

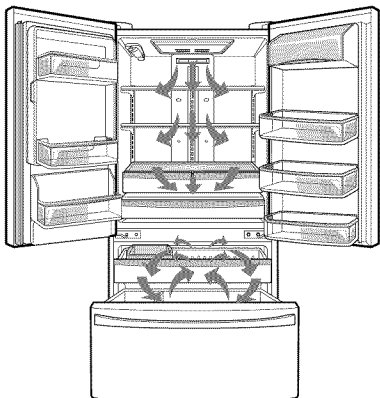
Les conduits de ventilation d'air sont bloqués. L'air circule du congélateur à la section des aliments frais et revient à travers les conduits de ventilation de la cloison divisant les deux sections.	Sentez le flux d'air des conduits de ventilation avec votre main et déplacez tous les aliments qui bloquent les conduits de ventilation et réduisent le flux d'air. (Cf. diagramme de débit d'eau ci-dessous).
Les portes sont ouvertes souvent.	Si la porte est ouverte, de l'air chaud entre dans le réfrigérateur. Plus de temps la porte est ouverte, plus d'humidité y entrera et plus d'air chaud le réfrigérateur devra refroidir. Pour garder le réfrigérateur froid, essayez de sortir du réfrigérateur tout ce dont vous avez besoin en une seule fois, gardez les aliments de façon ordonnée pour qu'il soit plus facile de les trouver et fermez la porte aussitôt possible.
La commande n'est pas réglée correctement selon les conditions environnantes.	Lisez la section <b>Configurations des commandes</b> à la page 110. Patienter 24 heures que les températures se stabilisent ou s'équilibrent. En cas de température trop froide ou trop chaude, modifier le réglage d'une unité à chaque fois.
Une grande quantité d'aliments vient d'être introduite dans le réfrigérateur ou dans le congélateur.	Quand vous introduisez des aliments chauds dans le réfrigérateur, il est possible que le réfrigérateur tarde quelques heures pour reprendre la température normale.
Les aliments ne sont pas bien emballés.	Emballer les aliments correctement et essuyez bien les compartiments avant de les stocker dans le réfrigérateur pour éviter l'accumulation d'humidité. S'il est nécessaire, remballer les aliments suivant les instructions de la section <b>Guide pour le stockage d'aliments</b> à la page 114.
Les portes ne sont pas bien fermées.	Lisez <b>Les portes ne ferment pas complètement</b> à la page 133.
Le temps est humide.	Dans un climat humide, l'air transporte de l'humidité vers le réfrigérateur lorsque les portes sont ouvertes.
Un cycle de décongélation automatique vient de se compléter.	La formation de gouttelettes d'eau sur la paroi arrière est normale après la décongélation du réfrigérateur.

### L'INTÉRIEUR DU RÉFRIGÉRATEUR EST COUVERT DE POUSSIÈRE OU DE SUIE.

Vérifiez si...

Alors...

Le réfrigérateur est placé près d'une flamme ou d'un feu, comme une cheminée, un poêle à bois ou une bougie.	Contrôlez et déplacez le cas échéant le réfrigérateur pour qu'il ne soit pas à proximité d'une flamme ou d'un feu (cheminée, un poêle à bois ou une bougie).
--	--







# Get it fixed, at your home or ours!

## Your Home

For troubleshooting, product manuals and home solutions advice:



[www.managemylife.com](http://www.managemylife.com)

For repair – **in your home** – of **all** major brand appliances, lawn and garden equipment, or heating and cooling systems, **no matter who made it, no matter who sold it!**

For the replacement parts, accessories and owner's manuals that you need to do-it-yourself.

For Sears professional installation of home appliances and items like garage door openers and water heaters.

**1-800-4-MY-HOME<sup>®</sup>** (1-800-469-4663)

Call anytime, day or night (U.S.A. and Canada)

[www.sears.com](http://www.sears.com)      [www.sears.ca](http://www.sears.ca)

## Our Home

For repair of carry-in items like vacuums, lawn equipment, and electronics, call anytime for the location of your nearest

**Sears Parts & Repair Service Center**

**1-800-488-1222** (U.S.A.)      **1-800-469-4663** (Canada)

[www.sears.com](http://www.sears.com)      [www.sears.ca](http://www.sears.ca)

To purchase a protection agreement on a product serviced by Sears:

**1-800-827-6655** (U.S.A.)      **1-800-361-6665** (Canada)

Para pedir servicio de reparación a domicilio, y para ordenar piezas:

**1-888-SU-HOGAR<sup>®</sup>**

(1-888-784-6427)

[www.sears.com](http://www.sears.com)

Au Canada pour service en français:

**1-800-LE-FOYER<sup>MC</sup>**

(1-800-533-6937)

[www.sears.ca](http://www.sears.ca)

# Sears

® Registered Trademark / <sup>TM</sup> Trademark of KCD IP, LLC in the United States, or Sears Brands, LLC in other countries

© Marca Registrada / <sup>TM</sup> Marca de Fábrica de KCD IP, LLC en Estados Unidos, o Sears Brands, LLC in otros países

<sup>MC</sup> Marque de commerce / <sup>MD</sup> Marque déposée de Sears Brands, LLC