

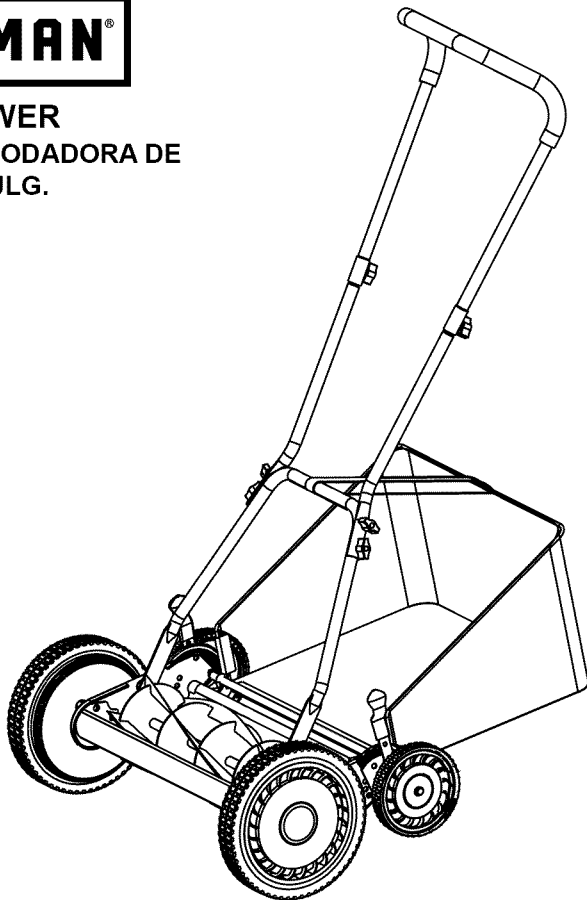
OPERATOR'S MANUAL MANUEL DEL OPERADOR

CRAFTSMAN®

18 in. REEL MOWER
450 mm (18 pulg.) PODADORA DE
CARRETE DE 18 PULG.

Model No.
138.37671

Número de modelo
138.37671



⚠ WARNING: To reduce the risk of injury, the user must read and understand the operator's manual before using this product.

⚠ ADVERTENCIA: Para reducir el riesgo de lesiones, el usuario debe leer y comprender el manual del operador antes de usar este producto.

Customer Help Line: 1-888-266-7096
Teléfono de atención al consumidor: 1-888-266-7096

Sears Brands Management Corporation, Hoffman Estates, IL 60179 USA
Visit the Craftsman web page: www.craftsman.com
Visite el sitio web de Craftsman: www.craftsman.com

**Save this manual for future reference
Guarde este manual para futuras consulta**

TABLE OF CONTENTS / ÍNDICE DE CONTENIDO

ENGLISH

■ Warranty.....	2
■ Introduction.....	2
■ Safety Information.....	3-4
■ Symbols.....	5-6
■ Features.....	6
■ Assembly.....	7
■ Operation.....	8
■ Care and maintenance.....	9
■ Illustrated parts list.....	10-12

ESPAÑOL

■ Garantía.....	Sección de Inglés pág. 2
■ Introducción.....	Sección de Inglés pág. 2
■ Información sobre seguridad.....	3-4
■ Símbolos.....	5-6
■ Características.....	6
■ Armado.....	7
■ Funcionamiento.....	8
■ Cuidado y mantenimiento.....	9
■ Figura numeras (ilustraciones).....	i-iv

CRAFTSMAN® TWO YEAR LIMITED WARRANTY

FOR TWO YEARS from the date of purchase this power tool is warranted against any defects in material or workmanship. With proof of purchase, a defective product will be replaced free of charge.

For warranty coverage details to obtain free replacement, visit the web page: www.craftsman.com/warranty

This warranty does not cover the blades or rear bag, which are expendable parts that can wear out from normal use within the warranty period.

This warranty is void if this product is ever used while providing commercial services or if rented to another person.

This warranty gives you specific legal rights, and you may also have other rights which vary from state to state.

Sears Brands Management Corporation, Hoffman Estates, IL 60179

* * *

GARANTÍA DE CUATRO AÑOS CRAFTSMAN®

DURANTE CUATRO AÑOS a partir de la fecha de adquisición, esta herramienta eléctrica cuenta con garantía frente a defectos de material o mano de obra. Adjuntando la prueba de compra, se reemplazará gratuitamente el producto defectuoso.

Para detalles sobre la cobertura de la garantía para el reemplazo gratuito, visite la página web: www.craftsman.com/warranty

Esta garantía no cubre las hojas o bolsa trasera, que son piezas consumibles que pueden desgastarse con el uso normal durante el período de garantía.

Esta garantía se anula si se utiliza este producto durante la prestación de servicios comerciales o si se alquila a otra persona.

Esta garantía le otorga derechos legales específicos y también puede tener otros derechos que varían de estado a estado.

Sears Brands Management Corporation, Hoffman Estates, IL 60179

INTRODUCTION / INTRODUCCIÓN

This tool has many features for making its use more pleasant and enjoyable. Safety, performance, and dependability have been given top priority in the design of this product making it easy to maintain and operate.

* * *

Esta herramienta ofrece numerosas características para hacer más agradable y placentero su uso. En el diseño de este producto se ha conferido prioridad a la seguridad, el desempeño y la fiabilidad, por lo cual se facilita su manejo y mantenimiento.

SAFETY INFORMATION

IMPORTANT SAFETY INSTRUCTIONS

⚠ IMPORTANT! READ AND UNDERSTAND ALL INSTRUCTIONS. Failure to follow all instructions listed below may result in electric shock, fire, and/or serious personal injury.

- Do not operate power tools in explosive atmospheres, such as in the presence of flammable liquids, gases, or dust. Power tools create sparks which may ignite the dust or fumes.
- Avoid body contact with grounded surfaces such as pipes, radiators, ranges, and refrigerators. There is an increased risk of electric shock if your body is grounded.
- Never allow children to operate the equipment. This is not a toy. Never allow adults to operate the equipment without proper instruction.
- Keep all bystanders, children, and pets at least 50 ft. away.
- Always wear safety glasses with side shields. Everyday glasses have only impact resistant lenses. They are NOT safety glasses. Following this rule will reduce the risk of eye injury. Use face mask if operation is dusty.
- Wear eye protection with side shields which are marked to comply with ANSI Z87.1 when operating this product.
- Do not expose to rain; store indoors.
- Use only as described in this manual. Use only identical manufacturer's replacement parts and accessories. Use of any other parts may create a hazard or cause product damage.
- Secure long hair so it is above shoulder level to prevent entanglement in any moving parts.
- Wear heavy long pants, boots, and gloves. Avoid loose garments or jewelry that could get caught in moving parts of the machine.
- Keep firm footing and balance. Do not overreach. Overreaching can result in loss of balance.
- Do not operate the equipment while barefoot or when wearing sandals or similar lightweight footwear. Wear protective footwear that will protect your feet and improve your footing on slippery surfaces.
- Never place hands, fingers or feet inside the reel. Although a motor does not power this mower, when the wheels turn the reel spins and can cut.
- Never mow when grass is wet as it can be slippery.
- Do not use the reel mower while barefoot or while wearing sandals.
- Walk behind, never run, while using reel mower.

■ Always make sure of your footing when using this reel mower.

■ Never intentionally strike or hit trees, fences, etc. This can cause injuries or severely damage the reel mower mechanisms.

■ Make sure your reel mower is in a safe operating condition. Do not attempt to operate this reel mower if damaged. Contact customer service or have the reel mower repaired by a qualified repair service provider before using.

■ Do not force tool. Use the correct tool for your application. The correct tool will do the job better and safer at the rate for which it is designed.

SPECIFIC SAFETY RULES FOR REEL MOWER

⚠ WARNING! This symbol points out important safety instructions, which if not followed, could endanger the personal safety and/or property of yourself and others. Read and follow all instructions in this manual before attempting to operate this machine. Failure to comply with these instructions may result in personal injury.

⚠ DANGER! This machine was built to be operated according to the rules for safe operation in this manual. As with any type of power equipment, carelessness or error on the part of the operator can result in serious injury. This machine is capable of amputating hands and feet and throwing objects. Failure to observe the following safety instructions could result in serious injury or death.

⚠ WARNING! When using reel mowers, basic safety precautions should always be followed to reduce the risk of fire, electric shock, and personal injury.

GENERAL OPERATION

Use of this reel mower should be restricted to individuals who have read, understood and will follow the warnings and instructions that are printed in this manual and on the reel mower.

■ Carefully read all instructions on the reel mower and in the manual before attempting to assemble and operate the reel mower. Keep this manual in a safe place for future reference, and consult it regularly.

■ In order to avoid contact with the blade or injury caused by a thrown object, stay in the operating zone behind the handles, and keep children and bystanders at least 50 ft.(15 m) away from the mower while it is in operation. Stop the motor immediately if someone enters the mowing area.

SAFETY INFORMATION

- Thoroughly inspect the area where the reel mower is to be used. Remove all stones, sticks, wire, toys, and other objects that could be tripped over or thrown by the blade. Thrown objects can cause serious personal injury.
- Plan your mowing pattern in such a way as to avoid discharging material toward roads, sidewalks, bystanders, etc.
- Always wear a face mask or a dust mask when operating the mower in a dusty environment.
- Dress properly. Do not wear loose clothing or jewelry that can get caught in moving parts. The wearing of protective gloves and safety footwear is recommended.
- Do not use the reel mower for any job except that for which it is intended. Do not force the reel mower.
- Avoid dangerous environments. Do not operate the mower in the rain or in wet or damp grass.
- Mow only in daylight or in good artificial light. Do not rush a mowing job.
- Stop machine if anyone enters the area.
- Do not pull machine backward unless absolutely necessary. Always look down and behind before and while moving backward.
- Never leave a running machine unattended.
- Operate machine only in daylight or good artificial light.

WARNING! (PROPOSITION 65)

Some dust created by power sanding, sawing, grinding, drilling and other construction activities contains chemicals known to the state of California to cause cancer, birth defects or other reproductive harm. Some examples of these chemicals are:

- Lead from lead-based paints,
- Crystalline silica from bricks and cement and other masonry products, and
- Arsenic and chromium from chemically-treated lumber.

Your risk from these exposures varies, depending on how often you do this type of work. To reduce your exposure to these chemical: work in a well ventilated area, and work with approved safety equipment, such as those dust masks that are specially designed to filter out microscopic particles.

CHILD SAFETY







Tragic accidents can occur if the operator is not aware of the presence of children.

- Keep children out of the mowing area and under the watchful care of a responsible adult.
- Do not allow children under the age of 14 to operate this reel mower. Children who are 14 years of age and older must read and understand the operating instructions and safety rules in this manual and must be trained and supervised by a parent.
- Stay alert, and stop the reel mower off if a child or any other person enters the mowing area.
- Look behind and down for small children before and while moving backwards.
- Use extreme care when approaching blind corners, doorways, shrubs, trees, or other objects that may obscure your view of a child who may run into the path of the reel mower.

SAVE THESE INSTRUCTIONS




SYMBOLS

Some of the following symbols may be used on this product. Please study them and learn their meaning. Proper interpretation of these symbols will allow you to operate the product better and safer.

SYMBOL	NAME	DESIGNATION/EXPLANATION
	Read The Operator's Manual	To reduce the risk of injury user must read and understand operator's manual before using this product.
	Eye and Head Protection	Always wear eye protection with side shields that are marked to comply with ANSI Z87.1.
	Ricochet	Thrown objects can ricochet and result in personal injury or property damage.
	Sharp Blade	Danger – Keep hands and feet away from blade.
	Operating on a slope	Do not mow a slope that has an angle of greater than 15°.
	Keep Bystanders Away	Keep all bystanders at least 50 ft. away.

SYMBOLS

The following signal words and meanings are intended to explain the levels of risk associated with this product.

SYMBOL	SIGNAL	MEANING
	DANGER	Indicates an imminently hazardous situation, which, if not avoided, will result in death or serious injury.
	WARNING	Indicates a potentially hazardous situation, which, if not avoided, could result in death or serious injury.
	CAUTION	Indicates a potentially hazardous situation, which, if not avoided, may result in minor or moderate injury.
	CAUTION	(Without Safety Alert Symbol) Indicates a situation that may result in property damage.

FEATURES

PRODUCT SPECIFICATIONS

Cutting path	18" (45 cm)
Height adjustments	1 3/8 - 2 1/2" (3.5-6.4 cm)
Number of blades	5 Helical blades
Weight	28 lbs (12.7 kg)

KNOW YOUR LAWN MOWER

See Figure 1.

The safe use of this product requires an understanding of the information on the product and in this operator's manual as well as a knowledge of the project you are attempting. Before use of this product, familiarize yourself with all operating features and safety rules.

REAR BAG

The rear bag prevents grass clippings from being scattered across your lawn as you mow.

HEIGHT ADJUSTMENT KNOB

The height adjustment knob provides cutting height adjustments.

ASSEMBLY

UNPACKING


Before attempting to assemble, empty carton and compare parts with parts list below.


- Carefully remove the product and any accessories from the box.
- Inspect the parts to make sure no breakage or damage occurred during shipping.
- Do not discard the packing material until all parts are examined.
- If any parts are damaged or missing, please call 1-888-266-7096 for assistance.
- Be sure to tighten the lock nuts when assembled to prevent the handle from rocking.

PACKING LIST

See *Figure 2*.

- 1-Top handle
- 2-Center handle pieces
- 1-Lower handle
- 6-Knobs
- 6-Carriage bolts
- 1-Reel mower body
- 1-Rear bag

 **WARNING!** Do not allow familiarity with this product to make you careless. Remember that a careless fraction of a second is sufficient to inflict serious injury.

 **WARNING!** Do not use any attachments or accessories not recommended by the manufacturer of this product. The use of attachments or accessories not recommended can result in serious personal injury.

ASSEMBLING THE HANDLE

See *Figure 3-4*.

NOTE: Do not completely tighten bolts until assembly is complete.

- Insert the two center handle pieces (2) into the left and right side of the top handle (1) and secure with two carriage bolts (5) and knobs (6) provided. (Fig. 3)
- Attach the top handle subassembly previously assembled, to the lower handle subassembly using four carriage bolts (5) and knobs (6) provided. (Fig. 4)

- Tighten all the knobs on the joints of the handle assembly.

ATTACHING THE HANDLE TO THE MOWER BASE

See *Figure 5*.

- Align holes (1) at the lower end of each handle arm with posts (2) extending from the mower base side plates.
- Slide lower ends of handle arms onto posts.

ATTACH THE REAR BAG

See *Figure 6-8*.

- Take out all components in the packing (Fig. 6).
- Place the hooks on the rear bag onto the roller shaft. Secured the bag to the lower handle using the belt supplied. (Fig. 7).
- Adjust strap for proper height so the bag does not rub the ground while mowing or transporting. (Fig. 8).

OPERATION

CUTTING HEIGHT ADJUSTMENT

See Figure 9.

- The cutting height of the mower adjusts from 1 3/8 - 2 1/2" (3.5-6.4 cm) with 9 positions for adjustment height by moving the height adjustment levers to the required position.
- To achieve the lowest cutting position, one at a time, move the adjustment levers on both sides, located next to the rear wheels, up to the highest position.
- To achieve the highest cutting position, move the adjustment levers on both sides to their lowest position.
- Other cutting heights are achieved by moving the adjustment levers to any stop between the highest and lowest positions.


NOTE: The two adjustment levers **MUST** be set to the same position (height).

For best performance, align the edge of the cutting blades to overlap the previously cut path. This will ensure no grass is missed during the process.

NOTE: Do not use wheels as a reference point for grass cut line.


MOWER BLADE ADJUSTMENTS

See Figure 10.

 **WARNING!** Blades are extremely sharp. To avoid injury, do not touch blades when making adjustments.

NOTE: Blades are factory adjusted.


- Misalignment can occur, often caused by blades being too loose or too tight. This can cause an uneven cut or difficulty pushing the mower.
- Each end of the cutting bar is adjusted separately. To move the cutting bar closer to the blades, turn the adjustment screw clockwise.
- To move the cutting bar away from the blades turn the adjustment screw counterclockwise.
- In order to perform this adjustment you must first loosen the upper lock nut located between the front and rear radial wheels.

 **CAUTION!** Adjusting the screws for blade adjustments is a very sensitive procedure. A sixteenth of a turn is considered a major adjustment. Before tightening one adjustment screw, make sure to loosen the opposite screw an equal amount.

CHECKING THE ADJUSTMENT

See Figure 11.


- Turn mower upside down.
- Insert a piece of paper between cutting bar and reel blades, and slowly turn wheel by hand.
- Each blade should cut across the paper in a continuous line. If there are missed spots in the cut, it is necessary to make further adjustments. See Mower Blade Adjustments.

 **CAUTION!** Do not overtighten adjustment screws, as this could damage cutting bar. Both screws must be tight on final adjustment.


CARE AND MAINTENANCE

- Minimum care is required to ensure smooth operation of your mower.
- To avoid damage to mower or cutting blades, keep area to be mowed free from debris.
- For best results, regularly apply lubricant to mower's cutting surfaces, cutting reel axle shaft and wheels.

SHARPENING THE CUTTING BLADES

 **WARNING!** Do not place hands in the mower near blades. If grass cuttings are compacted in the blade area, remove using a wood or plastic cleaning tool appropriate for the cleaning of the blades.

- Spread a thin layer of lapping compound, available at most hardware stores, onto the front edge of the reel blades.
- Adjust the cutting bar so that the blade has light but firm contact across the full width of the cutting bar.
- Turn the reel blades until the front edge of the cutting bar blade is polished.

 **CAUTION!** Do not overtighten the adjusting screws, as this could damage the cutting bar. Tighten both screws during final adjustment.

NOTE: Clean any grinding compound or debris from the cutting bar blade, reel blade, pinions, and pawls.

NOTE: Use industrial or valve lapping compound between 100 and 240 grit. Lubricate the axle and pinion with a light film of wheel bearing grease.

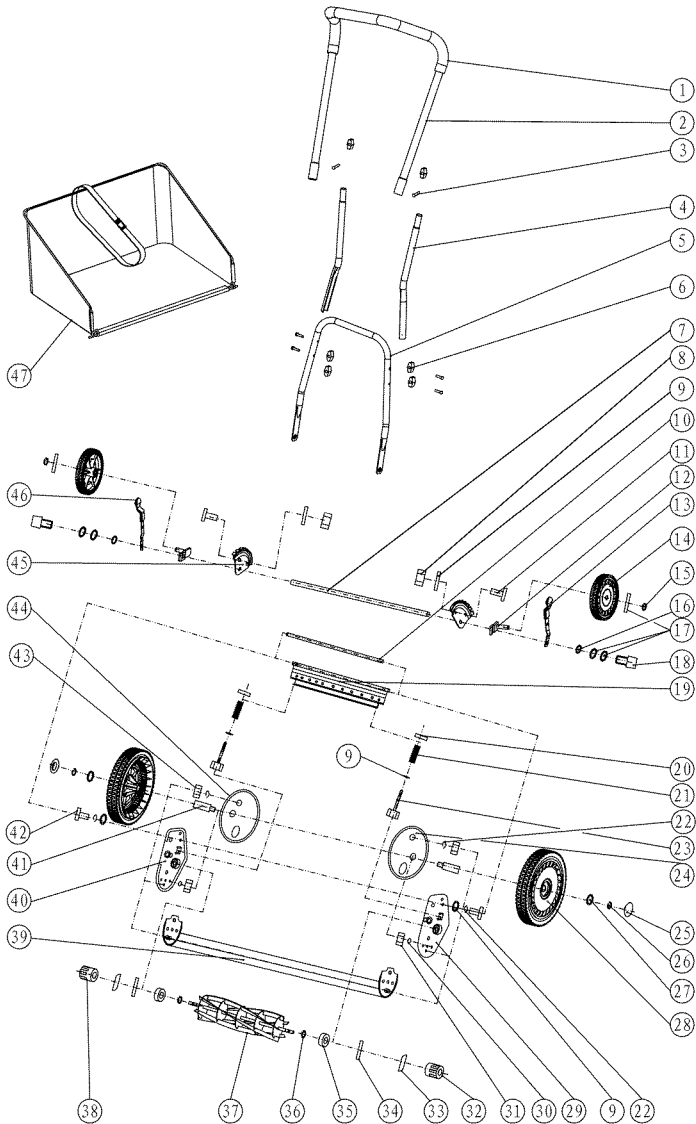
CLEANING AND STORAGE

- Clean the exterior of the machine thoroughly using a soft brush and cloth before storing. Do not use water, solvents or polishes.
- Turn the mower on its side to clean the blade area.
- Store the mower in a dry place. Do not place other objects on top of the mower during storage.

CRAFTSMAN 18in. REEL MOWER – MODEL NUMBER 138.37671

The model number will be found on a label attached to the motor housing.

TO PURCHASE REPLACEMENT PARTS, CALL 1-800-469-4663



CRAFTSMAN 18in. REEL MOWER – MODEL NUMBER 138.37671

The model number will be found on a label attached to the motor housing.

TO PURCHASE REPLACEMENT PARTS, CALL 1-800-469-4663

ITEM NO.	PART NO.	DESCRIPTION	QTY
1	N-1	Soft grip	1
2	N-2	Top handle	1
3	N-3	Bolt	6
4	N-4	Middle handle	2
5	N-5	Bottom handle	1
6	N-6	Knob	6
7	N-7	Rear shaft	1
8	N-8	Lock nut M8	2
9	N-9	Washer	6
10	N-10	Cutting bar pivot rod	1
11	N-11	Bolt	2
12	N-12	Rear bracket	2
13	N-13	Adjustment handle (L)	1
14	N-14	Rear wheel	2
15	N-15	C-clip	2
16	N-16	Wave spring	2
17	N-17	Washer	6
18	N-18	Bolt	2
19	N-19	Cutting bar assy.	1
20	N-20	Blade adjustment nut	2
21	N-21	Blade adjustment spring	2
22	N-22	Spring washer	4
23	N-23	Blade adjustment bolt	2
24	N-24	Supporting plate (L)	1
25	N-25	Wheel cover	2
26	N-26	C-clip	2
27	N-27	Washer	2
28	N-28	Wheel assy.	2
29	N-29	Supporting assy.(L)	1
30	N-30	Spring washer	2
31	N-31	Lock nut M10	2
32	N-32	Gear (L)	1
33	N-33	Pin	2
34	N-34	Washer	2
35	N-35	Ball bearing	2
36	N-36	C-clip	2
37	N-37	Cylinder-blade assy.	1
38	N-38	Gear (R)	1

CRAFTSMAN 18in. REEL MOWER – MODEL NUMBER 138.37671

The model number will be found on a label attached to the motor housing.

TO PURCHASE REPLACEMENT PARTS, CALL 1-800-469-4663

ITEM NO.	PART NO.	DESCRIPTION	QTY
39	N-39	Cover assy.	1
40	N-40	Supporting assy. (R)	1
41	N-41	Wheel shaft	2
42	N-42	Bolt	2
43	N-43	Nut M8	2
44	N-44	Supporting plate (R)	1
45	N-45	Adjustment bracket	2
46	N-46	Adjustment handle (R)	1
47	N-47	Grass bag	1

See this section for all of the figures referenced in the operator's manual.

Consulte esta sección para ver todas las figuras a las que se hace referencia en el manual del operador.

Fig. 1

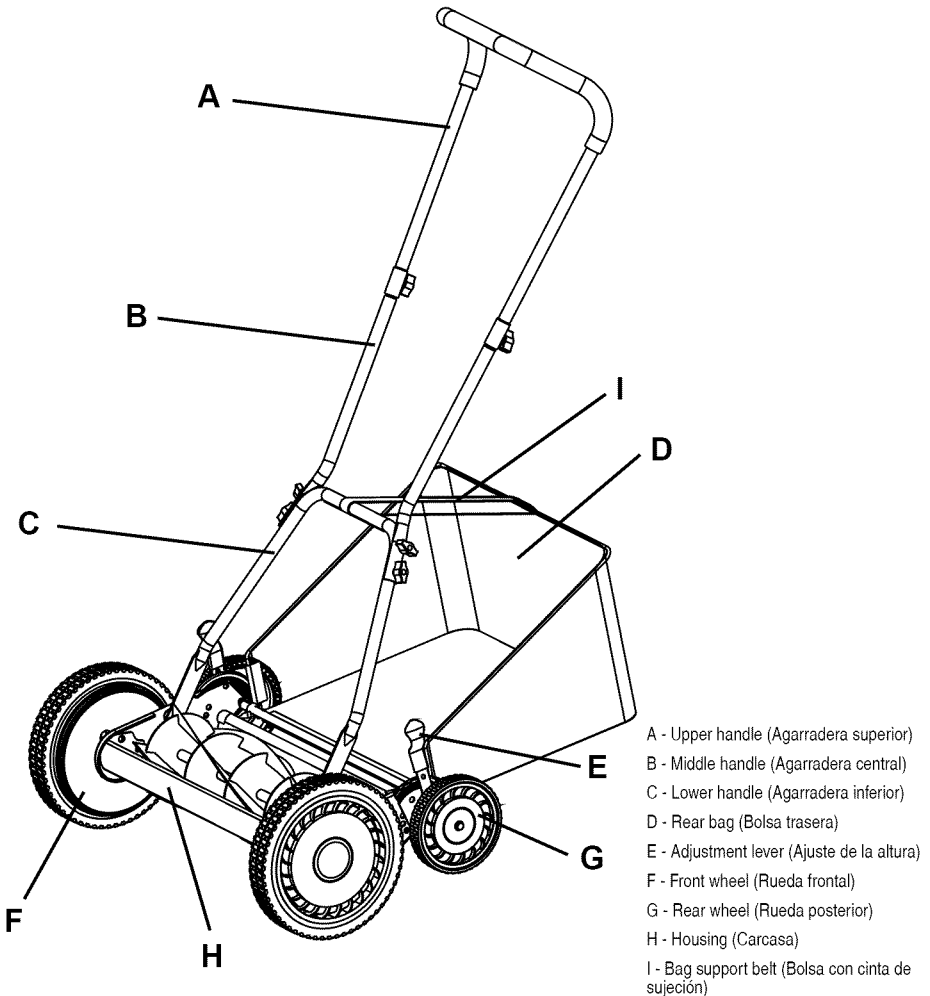
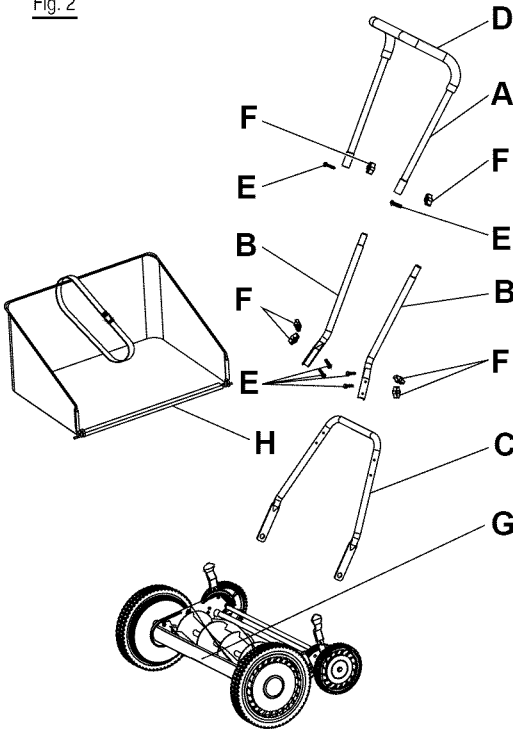


Fig. 2



- A - Top handle (Agarradera superior)
- B - Center handle pieces (Piezas centrales de la agarradera)
- C - Lower handle (Agarradera inferior)
- D - Foam grip (Asidero de espuma)
- E - Carriage bolts (Pernos de soporte)
- F - Knobs (Perilla)
- G - Reel mower body (Cuerpo de la podadora de carrete)
- H - Rear bag (Bolsa trasera)

Fig. 3

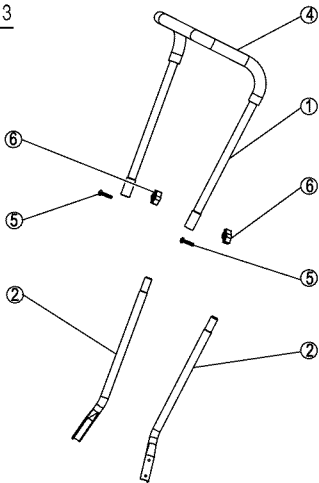


Fig. 4

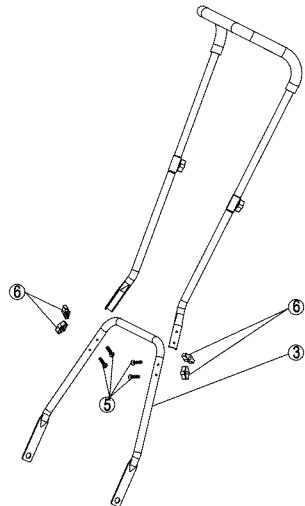


Fig. 5

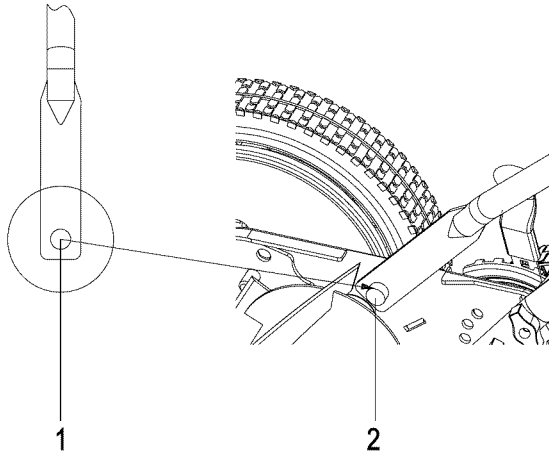


Fig. 6

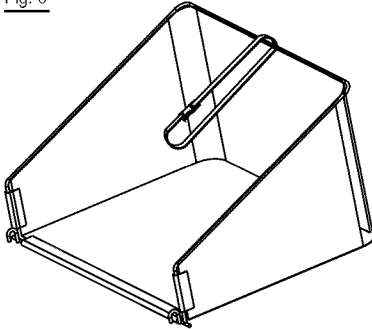


Fig. 7

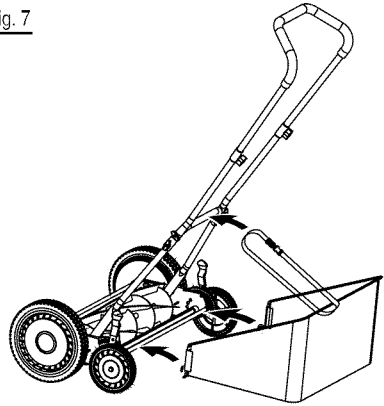


Fig. 8

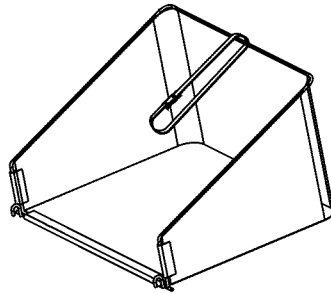
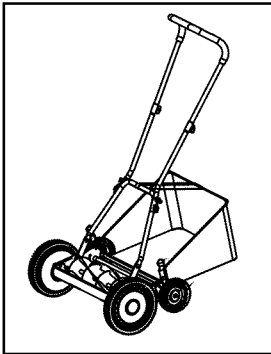
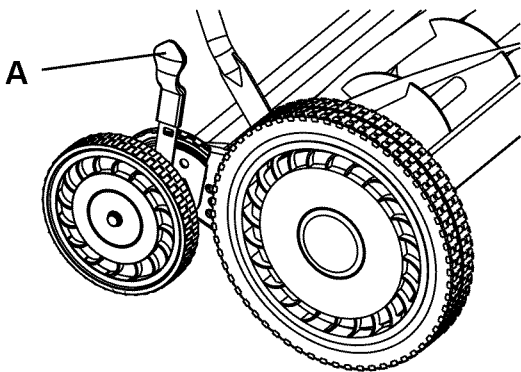
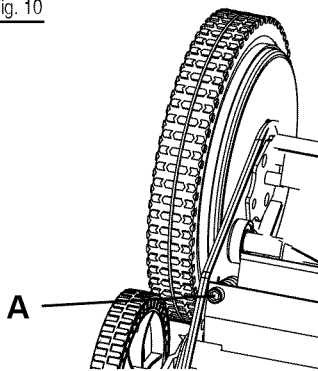


Fig. 9



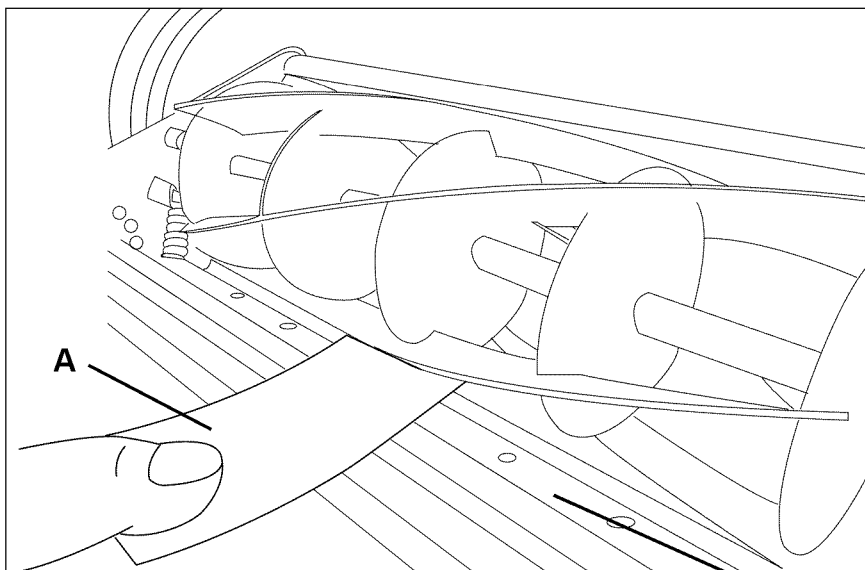
A - Height adjustment lever (Ajuste de la altura)

Fig. 10



A - Adjustment screw (Tornillo de ajuste)

Fig. 11



A - Paper (Papel)

B - Cutting bar (Barra de corte)

INFORMACIÓN DE SEGURIDAD

INSTRUCCIONES IMPORTANTES DE SEGURIDAD



¡IMPORTANTE!

LEA Y COMPRENDA TODAS LAS INSTRUCCIONES. No seguir las instrucciones que se enumeran a continuación puede resultar en descarga eléctrica, incendio y/o lesiones personales graves.

- No utilice herramientas eléctricas en atmósferas en las que exista riesgo de explosión, como por ejemplo en presencia de líquidos inflamables, gases o polvo. Las herramientas eléctricas producen chispas que podrían encender el polvo o humo.

- Evite el contacto del cuerpo con superficies conectadas a tierra como tubos, radiadores, extractores o refrigeradores. Existe un gran riesgo de descarga eléctrica si su cuerpo tiene contacto a tierra.

- Nunca permita que los niños utilicen el equipamiento. Nunca permita que adultos utilicen el equipamiento sin la instrucción adecuada.

- Mantenga a los transeúntes, niños y mascotas al menos a 15 m de distancia.

- Utilice siempre gafas de seguridad con protecciones laterales. Las gafas comunes sólo poseen lentes con resistencia al impacto. Éstas NO son gafas de seguridad. Seguir esta norma puede reducir el riesgo de lesiones oculares. Utilice una máscara si va a utilizar en condiciones de polvo.

- Siempre use protección ocular con protección lateral con la marca de cumplimiento de la norma ANSI Z87.1

- No lo exponga a la lluvia, almacene bajo techo.

- Utilícelo sólo como se describe en este manual. Use sólo partes y accesorios de repuesto idénticos a los del fabricante. El uso de cualquier otra parte podría causar peligro o daños al producto.

- Mantenga el cabello, las ropas holgadas, los dedos y todas las partes del cuerpo lejos de las aberturas y partes en movimiento.

- Utilice pantalones largos y pesados, botas y guantes. Evite usar ropa holgada o joyas ya que éstas podrían atraparse en las partes en movimiento de la máquina.

- Mantenga un apoyo de pies y un equilibrio adecuados. No se extienda demasiado. Hacerlo puede causar pérdida de equilibrio.

- No utilice el equipamiento a pies descalzos o si lleva sandalias u otro tipo de zapato liviano similar. Use calzado de seguridad que proteja sus pies y mejore su equilibrio en superficies resbaladizas.

- Nunca coloque las manos, los dedos o los pies dentro del cilindro. Aún cuando esta podadora no tiene un motor que la accione, cuando las ruedas dan vueltas el cilindro gira y puede cortar.

- Nunca siegue cuando el césped este mojado, ya que puede estar resbaloso.

- No use la podadora de cilindro mientras usted tenga los pies descalzos o cuando este usando sandalias.

- Mientras éste usando la podadora de cilindro camine detrás de ella, nunca corra. Siempre afirme su pisada cuando este usando esta podadora de cilindro.

- Nunca golpee o choque intencionalmente con árboles, cercas, etc. Esto puede causar lesiones o dañar severamente a la podadora de cilindro.

- Compruebe que su podadora de cilindro este en condiciones seguras de funcionamiento. No intente poner en funcionamiento esta podadora de cilindro si esta dañada. Póngase en contacto con el servicio al cliente o, antes de usarla, haga que se la repare un técnico calificado en servicios de reparación.

- No fuerce las herramientas. Utilice la herramienta adecuada para su aplicación. La herramienta apropiada realizará un trabajo mejor y más seguro al ritmo para la que fue diseñada.

NORMAS ESPECÍFICAS DE SEGURIDAD PARA LA PODADORA



¡ADVERTENCIA!

estos símbolos indican importantes instrucciones de seguridad que, si no las sigue, podría poner en peligro su propia seguridad y propiedad y la de otros. Lea y siga todas las instrucciones en este manual antes de intentar usar esta máquina. El no cumplir con estas instrucciones podría ocasionar lesiones personales.



¡PELIGRO!

esta maquina se diseñó para funcionar de acuerdo con las normas de uso seguro que contiene este manual. Como sucede con cualquier tipo de equipo electromecánico, un descuido o error del operador pueden ocasionar lesiones graves. Esta máquina puede amputar extremidades y arrojar objetos. El incumplimiento de las siguientes instrucciones de seguridad podría provocar lesiones graves o la muerte.



¡ADVERTENCIA!

cuando utilice podadoras eléctricas, tome siempre precauciones de seguridad básicas para reducir el riesgo de incendios, descargas eléctricas y lesiones personales.

FUNCIONAMIENTO GENERAL

Solo aquellas personas que leyeron, comprendieron y que seguirán las advertencias e instrucciones impresas en este manual y sobre la podadora deben utilizarla.

INFORMACIÓN DE SEGURIDAD

■ Lea atentamente todas las instrucciones en la podadora y este manual antes de intentar ensamblar y usar la podadora. Guarde el manual en un lugar seguro y consúltelo regularmente en el futuro.

■ Para evitar el contacto con la cuchilla o lesiones ocasionadas por un objeto lanzado, permanezca en la zona de operación detrás de la podadora y mantenga tanto a niños como transeúntes a al menos 15 m (50 pies) de distancia si está funcionando. Detenga el motor de inmediato si alguien entra en el área de poda.

■ Inspeccione minuciosamente el área donde se utilizará la podadora. Elimine piedras, palos, cables, juguetes y otros objetos con los que alguien se pueda tropezar o que la cuchilla pueda lanzar. Los objetos que lance la podadora pueden ocasionar lesiones personales graves.

■ Establezca su patrón de poda de tal manera que evite descargar material del lado de calles, aceras, transeúntes, etc.

■ Siempre utilice un máscara si usa la podadora en condiciones de polvo.

■ Use ropa adecuada. No use ropa holgada o joyas que pueden atraparse en las partes en movimiento. Se recomienda el uso de guantes de protección y calzado de seguridad.

■ No use la podadora en tareas diferentes para la que fue diseñada. No fuerce la podadora.

■ No ponga las manos ni los pies cerca de piezas rotatorias o debajo de la plataforma de corte. El contacto con las cuchillas puede producir la amputación de manos y pies.

■ Corte el césped solamente con luz de día o una buena luz artificial. No apresure el trabajo de poda.

■ Detenga la máquina si alguien entra en el área.

■ No tire la podadora hacia atrás a menos que sea absolutamente necesario. Siempre mire hacia abajo y hacia atrás antes de moverla hacia atrás.

■ Nunca deje de supervisar una máquina en funcionamiento.

■ Use la máquina solamente con luz de día o una buena luz artificial.

ADVERTENCIA (PROPUESTA 65)

Algo del polvo provocado por las lijás, sierras, trituradoras y taladros eléctricos, y otras actividades de construcción. Contiene químicos reconocidos como causantes de cáncer y defectos congénitos u otros daños en el aparato reproductivo. Algunos ejemplos de estos químicos son:

- plomo de pinturas con base de plomo
- sílice cristalina de ladrillos, cemento y otros productos de mampostería
- arsénico y cromo de madera tratada con químicos

El riesgo que corre a la exposición de estos químicos varía dependiendo de la frecuencia con que realiza estos tipos de trabajos. Para reducir la exposición a estos químicos: trabaje en un área bien ventilada y con el equipamiento de seguridad aprobado, como por ejemplo máscaras especialmente diseñadas para filtrar las partículas microscópicas.

SEGURIDAD DE LOS NIÑOS

Pueden ocurrir accidentes trágicos si el operador no está atento a la presencia de niños.

■ Mantenga a los niños fuera del área de trabajo y bajo estricta vigilancia de un adulto responsable.

■ No permita que niños menores de 14 años usen esta podadora. Los niños de 14 años o más deben leer y comprender las instrucciones de funcionamiento y las normas de seguridad en este manual, además de ser entrenados y supervisados por sus padres.

■ Esté alerta y detenga el cortacésped helicoidal si un niño o cualquier otra persona ingresan al área de trabajo.







■ Antes y mientras se está moviendo hacia atrás, mire hacia abajo y atrás y verifique que no haya niños.

■ Tenga extremo cuidado cuando se acerque a esquinas ciegas, entradas de puertas, arbustos, árboles u otros objetos que puedan bloquearle la vista de un niño que pudiera correr hacia la podadora.

GUARDAR ESTAS INSTRUCCIONES




SÍMBOLOS

Es posible que se empleen en este producto algunos de los siguientes símbolos. Le suplicamos estudiarlos y aprender su significado. Una correcta interpretación de estos símbolos le permitirá utilizar mejor y de manera más segura el producto.

SÍMBOLO	NOMBRE	DENOMINACIÓN/EXPLICACIÓN
	Lea el manual del operador	Para reducir el riesgo de lesiones, el usuario debe leer y comprender el manual del operador antes de usar este producto.
	Protección ocular	Siempre use protección ocular con protección lateral con la marca de cumplimiento de la norma ANSI Z87.1
	Rebote	Cualquier objeto lanzado puede rebotar y producir lesiones personales o daños físicos.
	Hoja Afilada	Peligro – Para evitar una lesión grave, no toque la hoja que corta la cuerda.
	Funcionamiento en terrenos inclinados.	No corte la grama en terrenos inclinados mayores de 15°.
	Mantenga alejadas a las personas presentes	Mantenga a los circunstantes a una distancia mínima de 15 m (50 pies).

SÍMBOLOS

Las siguientes palabras de señalización y sus significados tienen el objeto de explicar los niveles de riesgo relacionados con este producto.

SÍMBOLO	SEÑAL	SIGNIFICADO
	PELIGRO	Indica una situación peligrosa inminente, la cual, si no se evita, causará la muerte o lesiones serias.
	ADVERTENCIA	Indica una situación peligrosa posible, la cual, si no se evita, podría causar la muerte o lesiones serias.
	PRECAUCIÓN	Indica una situación potencialmente peligrosa la cual, si no se evita, puede causar lesiones leves o moderadas.
	PRECAUCIÓN	(Sin el símbolo de alerta de seguridad) Indica una situación que puede producir daños materiales.

CARACTERÍSTICAS

ESPECIFICACIONES DEL PRODUCTO

Senda de corte	18 pulg. (45 cm)
Ajustadores de altura	1 3/8 - 2 1/2 pulg. (3,5-6,4 cm)
Número de cuchillas	5 helicoidales
Peso	28 lbs (12,7 kg)

FAMILIARÍCESE CON SU PODADORA DE PASTO

Veá la figura 1.

Para usar este producto con la debida seguridad se debe comprender la información indicada en el producto mismo y en este manual, y se debe comprender también el trabajo que intenta realizar. Antes de usar este producto, familiarícese con todas las características de funcionamiento y normas de seguridad del mismo.

BOLSA TRASERA

La bolsa trasera impide que los recortes de césped se dispersen por el pasto mientras lo poda.

PERILLA DE AJUSTE DE ALTURA

La perilla de ajuste de altura brinda ajustes de la altura de corte.

ARMADO

DESEMPAQUETADO

Antes de intentar el ensamblaje, vacíe la caja de cartón y compruebe que tiene todas las piezas que aparecen en la siguiente lista.

- Saque cuidadosamente las piezas de la caja.
- Revise las piezas cuidadosamente para asegurarse de que no han sucedido quebraduras o daños durante el envío.
- No deseche el material de embalaje hasta haber examinado todas las piezas.
- Si hay alguna pieza dañada o perdida, sírvase llamar al 1-888-266-7096 para recibir ayuda.
- Para evitar que la manija oscile, asegúrese de apretar la tuerca de inmovilización al ensamblar la manija.

LISTA DE EMPAQUETADO

Consulte la figura 2.

- 1-agarradera superior
- 2-piezas centrales de la agarradera
- 1-agarradera inferior
- 6-perilla
- 6-pernos de soporte
- 1-cuerpo de la podadora de carrete
- 1-bolsa



ADVERTENCIA!

No permita que su familiarización con este producto le vuelva descuidado. Tenga presente que un descuido de un instante es suficiente para infligir una lesión grave.



ADVERTENCIA!

No utilice ningún aditamento o accesorio no recomendado por el fabricante de este producto. El empleo de aditamentos o accesorios no recomendados podría causar lesiones serias.

ENSAMBLE DE LA MANIJA

Consulte las figuras 3-4.

NOTA: No apriete completamente los pernos hasta terminar de ensamblar.

- Introduzca las dos piezas del mango centrales (2) a la izquierda y a la derecha del mango superior (1) y asegúrelas con los dos pernos con cabeza de hongo (5) y las perillas (6) suministrados. (Fig. 3)
- Acople el subconjunto del mango superior previamente montado al subconjunto del mango

inferior utilizando los cuatro pernos con cabeza de hongo (5) y las perillas (6) suministrados. (Fig. 4)

- Apriete todas las perillas en las juntas del conjunto del mango.

CÓMO UNIR LA AGARRADERA A LA BASE DE LA PODADORA

Consulte la figura 5.

■ Alinee los agujeros (1) en la parte inferior de cada brazo de agarradera con los postes cortos (2) que se extienden desde las placas laterales de la base de la podadora.

- Inserte la parte inferior de los brazos de las agarraderas en los postes.

COLOQUE LA BOLSA TRASERA

Consulte las figuras 6-8.

- Saque todos los componentes en el embalaje. (Fig. 6)
- Coloque los ganchos en la bolsa trasera del eje rodante. Asegure la bolsa al mango inferior utilizando la correa suministrada. (Fig. 7)
- Ajustar la correa para lo que la altura adecuada Bolsa de no frotar el suelo mientras que el césped o el transporte. (Fig. 8)

FUNCIONAMIENTO

CÓMO AJUSTAR LA ALTURA DE CORTE

Consulte la figura 9.

■ La altura de corte de la podadoras puede ajustarse entre 35 mm y 64 mm llevando las palancas para ajuste de la altura a la posición requerida.

■ Para obtener la posición de corte más baja, lleve a la posición más alta, una por una, las palancas para ajuste en ambos lados, las cuales se encuentran a la par de las ruedas trasera.

■ Para obtener la posición de corte más alta, lleve las palancas para ajuste en ambos lados a la posición más baja.

■ Las otras alturas de corte se obtienen llevando las palancas para ajuste a cualquiera de los escalones entre las posiciones más alta y más baja.

Para un mejor desempeño, alinee el borde de las hojas de corte para solapar la ruta previamente cortado. Esto asegurará sin hierba se pierde durante el proceso.

NOTA: Ambas palancas para ajuste deben colocarse en la misma posición (altura).

CÓMO AJUSTAR LA CUCHILLA DE LA PODADORA

Consulte la figura 10.

ADVERTENCIA! Las cuchillas son extremadamente filosas. Para evitar lesiones, no toque las cuchillas al hacer el ajuste.

NOTA: Las cuchillas se ajustan en fábrica.

■ A menudo las hojas muy flojas o muy apretadas pueden producir desalineamiento. Esto puede originar un corte desparejo o que la podadora sea difícil de empujar.

■ Cada extremo de la barra de corte puede ser ajustado por separado.

■ La hoja en la barra de corte, ubicada debajo del carrete, se puede hacer oscilar. Las dos tuercas de ajuste, en la parte superior, alejan la barra de corte si se les da vuelta en sentido anti-horario o la aproximan se les da vuelta en sentido horario.

■ Para realizar este ajuste usted debe aflojar la contratuerca, ubicada entre las ruedas radiales delanteras y traseras.

PRECAUCIÓN! El ajuste de los tornillos para los ajustes de la cuchilla es un procedimiento muy sensible. Una vuelta de 1/16 ciclo se considera un ajuste mayor. Antes de apretar un tornillo de ajuste, asegúrese de aflojar el tornillo opuesto en la misma medida.

COMO VERIFICAR LOS AJUSTES

Consulte la figura 11.

■ Coloque la podadora boca arriba.

■ Coloque una hoja de papel entre la barra para corte y las hojas del carrete y gire la rueda cuidadosamente con la mano para hacer girar el carrete.


■ Cada hoja debe cortar el papel en una línea continua. Si no se pierden puntos en el corte, es necesario realizar más ajustes. Ver Cómo Ajustar la Cuchilla de la Podadora.

PRECAUCIÓN! No apriete demasiado los tornillos de ajuste, ya que eso pudiera dañar la barra cortadora. Ambos tornillos deben apretarse en el ajuste final.


CUIDADO Y MANTENIMIENTO

- Se requiere de un cuidado mínimo para asegurar un funcionamiento sin dificultades de su podadora.
- Para evitar daños a la podadora o a las cuchillas cortadoras, mantenga el área que se va a podar libre de desechos.
- Para mejores resultados aplique, con regularidad, aceite o lubricante a las superficies cortadoras de la podadora, al árbol del eje del cilindro cortador y a las ruedas.

AFINAMIENTO DE LAS CUCHILLAS DE CORTAR

 **ADVERTENCIA!** No ponga las manos en la podadora, cerca de las cuchillas. Si hay césped cortado y compactado en el área de la cuchilla, quítelo con una herramienta de limpieza de madera o plástica que sea la adecuada para la limpieza de las cuchillas.

- Aplique una capa delgada de compuesto, disponible en la mayoría de las ferreterías, para pulir en el eje delantero de las cuchillas del cilindro.
- Ajuste la barra de cortar de forma tal que la cuchilla haga un contacto leve pero firme a todo lo ancho de la barra de corte.
- Dé vueltas hacia atrás a las cuchillas del cilindro hasta que el eje delantero de la cuchilla de la barra cortadora esté pulido.

 **PRECAUCIÓN!** No apriete demasiado los tornillos de ajuste, ya que eso podría dañar la barra cortadora. Apriete firmemente ambos tornillos durante el ajuste final.

NOTA: Limpie cualquier partícula del compuesto o restos de la cuchilla de la barra cortadora, cuchilla del cilindro, piñones y trinquetes.

NOTA: Use un compuesto industrial para pulir o para válvulas, entre 100 y 240 de granalla. Lubrique el eje y el piñón con una película ligera de grasa para cojinetes de ruedas.

ALMACENAMIENTO

- Limpie muy bien la parte externa de la máquina con una brocha suave y con tela, antes de guardarla. No use agua, disolventes o pulimentos.
- Coloque la podadora de lado, para limpiar el área de la cuchilla.
- Guarde la podadora en un lugar seco. No coloque encima de la podadora otros objetos cuando la tenga almacenada.

CRAFTSMAN®