

# C1 / C3 UPRIGHT LIFECYCLE® EXERCISE BIKES

Owner's Manual

8974901 REV B-3



*LifeFitness*  
WHAT WE LIVE FOR

## CORPORATE HEADQUARTERS

5100 River Road  
Schiller Park, Illinois 60176 • U.S.A.  
847.288.3300 • FAX: 847.288.3703  
Service phone number: 800.351.3737 (toll-free within U.S.A., Canada)  
Global Website: [www.lifefitness.com](http://www.lifefitness.com)

## INTERNATIONAL OFFICES

### AMERICAS

#### North America Life Fitness Inc.

5100 N River Road  
Schiller Park, IL 60176 U.S.A  
Telephone: (847) 288 3300  
Fax: (847) 288 3703  
Service Telephone: (800) 351 3737  
Service Email: [customersupport@lifefitness.com](mailto:customersupport@lifefitness.com)  
Sales/Marketing Email:  
[consumerproducts@lifefitness.com](mailto:consumerproducts@lifefitness.com)  
Operating Hours: 7:00 am-6:00 pm (CST)

#### Brazil Life Fitness Brasil

Av. Cidade Jardim, 900  
Jd. Paulistano  
São Paulo, SP 01454-000  
BRAZIL  
SAC: 0800 773 8282  
Telephone: +55 (11) 3095 5200  
Fax: +55 (11) 3095 5201  
Service Email: [suporte@lifefitness.com.br](mailto:suporte@lifefitness.com.br)  
Sales/Marketing Email: [lifefitness@lifefitness.com.br](mailto:lifefitness@lifefitness.com.br)  
Service Operating Hours:  
9:00 - 17:00 (BRT) (Monday-Friday)  
Store Operating Hours:  
9:00 -20:00 (BRT) (Monday-Friday)  
10:00 - 16:00 (BRT) (Saturday)

#### Latin America & Caribbean\* Life Fitness Inc.

5100 N River Road  
Schiller Park, IL 60176 U.S.A  
Telephone: (847) 288 3300  
Fax: (847) 288 3703  
Service Email: [customersupport@lifefitness.com](mailto:customersupport@lifefitness.com)  
Sales/Marketing Email: [commercialsales@lifefitness.com](mailto:commercialsales@lifefitness.com)  
Operating Hours: 7:00am-6:00pm (CST)

### EUROPE, MIDDLE EAST, & AFRICA (EMEA)

#### Netherlands & Luxemburg Life Fitness Atlantic BV

Bijdorplein 25-31  
2992 LB Barendrecht  
THE NETHERLANDS  
Telephone: (+31) 180 646 666  
Fax: (+31) 180 646 699  
Service Email: [service.benelux@lifefitness.com](mailto:service.benelux@lifefitness.com)  
Sales/Marketing Email:  
[marketing.benelux@lifefitness.com](mailto:marketing.benelux@lifefitness.com)  
Operating Hours: 9.00h-17.00h (CET)

#### United Kingdom & Ireland Life Fitness UK LTD

Queen Adelaide  
Ely, Cambs, CB7 4UB  
Telephone: General Office (+44) 1353.666017  
Customer Support (+44) 1353.665507  
Fax: (+44) 1353.666018  
Service Email: [uk.support@lifefitness.com](mailto:uk.support@lifefitness.com)  
Sales/Marketing Email: [life@lifefitness.com](mailto:life@lifefitness.com)  
Operating Hours:

General Office: 9.00am - 5.00pm (GMT)  
Customer Support: 8.30am - 5.00pm (GMT)

#### Germany & Switzerland Life Fitness Europe GMBH

Siemensstraße 3  
85716 Unterschleißheim  
GERMANY  
Telephone: (+49) 89.31 77 51.0 (Germany)  
(+41) 0848 000 901 (Switzerland)  
Fax: (+49) 89.31 77 51.99 (Germany)  
(+41) 043 818 07 20 (Switzerland)  
Service Email: [kundendienst@lifefitness.com](mailto:kundendienst@lifefitness.com)  
Sales/Marketing Email: [kundenberatung@lifefitness.com](mailto:kundenberatung@lifefitness.com)  
Operating Hours: 08.30 -16.30h (CET)

#### Austria Life Fitness Austria

Vertriebs G.m.b.H.  
Dückerstraße 7-9/3/36  
1220 Vienna  
AUSTRIA  
Telephone: (+43) 1.61.57.198  
Fax: (+43) 1.61.57.198.20  
Service Email: [kundendienst@lifefitness.com](mailto:kundendienst@lifefitness.com)  
Marketing/Sales Email: [kundenberatung@lifefitness.com](mailto:kundenberatung@lifefitness.com)  
Operating Hours: 08:30-16:30.h (MEZ)

#### Spain Life Fitness IBERIA

C/Frederic Mompou 5,1ª<sup>a</sup>  
08960 Sant Just Desvern Barcelona  
SPAIN  
Telephone: (+34) 93.672.4660  
Fax: (+34) 93.672.4670  
Service Email: [info.iberia@lifefitness.com](mailto:info.iberia@lifefitness.com)  
Sales/Marketing Email: [info.iberia@lifefitness.com](mailto:info.iberia@lifefitness.com)  
Operating Hours:  
9.00h-18.00h (Monday-Thursday)  
8.30h-15.00h (Friday)

#### Belgium Life Fitness Benelux NV

Parc Industriel de Petit-Rechain  
4800 Verviers  
BELGIUM  
Telephone: (+32) 87 300 942  
Fax: (+32) 87 300 943  
Service Email: [service.benelux@lifefitness.com](mailto:service.benelux@lifefitness.com)  
Sales/Marketing Email:  
[marketing.benelux@lifefitness.com](mailto:marketing.benelux@lifefitness.com)  
Operating Hours: 9.00h -17.00h (CET)

#### Italy Life Fitness Europe GmbH

Siemensstraße 3  
85716 Unterschleißheim  
GERMANY  
Telephone: (+39) 02-55378611  
Service: 800438836 (In Italy)  
Fax: (+39) 02-55378699  
Service Email: [assistentatecnica@lifefitness.com](mailto:assistentatecnica@lifefitness.com)  
Sales/Marketing Email: [info@lifefitnessitalia.com](mailto:info@lifefitnessitalia.com)  
Operating Hours: 08:30 - 16:30h (CET)

#### All Other EMEA countries & Distributor Business C-EMEA\*

Bijdorplein 25-31  
2992 LB Barendrecht  
THE NETHERLANDS  
Telephone: (+31) 180 646 644  
Fax: (+31) 180 646 699  
Service Email: [service.db.cemea@lifefitness.com](mailto:service.db.cemea@lifefitness.com)  
Sales/Marketing Email:  
[marketing.db.cemea@lifefitness.com](mailto:marketing.db.cemea@lifefitness.com)  
Operating Hours: 9.00h-17.00h (CET)

### ASIA PACIFIC (AP)

#### Japan Life Fitness Japan

Nippon Brunswick Bldg., #8F  
5-27-7 Sendagaya  
Shibuya-Ku, Tokyo  
Japan 151-0051  
Telephone: (+81) 3.3359.4309  
Fax: (+81) 3.3359.4307  
Service Email: [service@lifefitnessjapan.com](mailto:service@lifefitnessjapan.com)  
Sales/Marketing Email: [sales@lifefitnessjapan.com](mailto:sales@lifefitnessjapan.com)  
Operating Hours: 9.00h-17.00h (JAPAN)

#### China and Hong Kong Life Fitness Asia Pacific LTD

Room 2610, Miramar Tower  
132 Nathan Road  
Tsimshatsui, Kowloon  
HONG KONG  
Telephone: (+852) 2891.6677  
Fax: (+852) 2575.6001  
Service Email: [HongKongEnquiry@lifefitness.com](mailto:HongKongEnquiry@lifefitness.com)  
Sales/Marketing Email: [ChinaEnquiry@lifefitness.com](mailto:ChinaEnquiry@lifefitness.com)  
Operating Hours: 9.00h-18.00h

#### All Other Asia Pacific countries & distributor business Asia Pacific\*

Room 2610, Miramar Tower  
132 Nathan Road  
Tsimshatsui, Kowloon  
HONG KONG  
Telephone: (+852) 2891.6677  
Fax: (+852) 2575.6001  
Service Email: [HongKongEnquiry@lifefitness.com](mailto:HongKongEnquiry@lifefitness.com)  
Sales/Marketing Email: [ChinaEnquiry@lifefitness.com](mailto:ChinaEnquiry@lifefitness.com)  
Operating Hours: 9.00h-18.00h

## FCC Warning - Possible Radio / Television Interference

**Note:** *This equipment has been tested and found to comply with the limits for a Class B digital device, pursuant to part 15 of the FCC rules. These limits are designed to provide reasonable protection against harmful interference in a residential installation. This equipment generates, uses and can radiate radio frequency energy, and if not installed and used in accordance with the user manual, may cause harmful interference to radio communications. However, there is no guarantee that the interference will not occur in a particular installation. If this equipment does cause harmful interference to radio or television reception, which can be determined by turning the equipment off and on, the user is encouraged to try to correct the interference by one or more of the following measures:*

- Reorient or relocate the receiving antenna.
- Increase the separation between the equipment and the receiver.
- Connect the equipment into an outlet on a circuit different from that to which the receiver is connected.
- Consult the dealer or an experienced radio/TV technician for help.

Class HB (Home): Domestic use. Class B is not suitable for therapeutic purposes.



**CAUTION: Any changes or modifications to this equipment could void the product warranty.**

Any service, other than cleaning or user maintenance, must be performed by an authorized service representative. There are no user-serviceable parts.

# TABLE OF CONTENTS

1.	Important Safety Instructions	.5
2.	C1 / C3 Upright Lifecycle <sup>®</sup> Exercise Bike Overview	.7
3.	Assembly	.8
3.1	Tools & Hardware	.8
3.2	Packaging	.10
3.3	Assemble the Rear Stabilizer	.10
3.4	Assemble the Monocolumn	.10
3.5	Connect Wiring / Attach Cover	.11
3.6	Assemble the Seat and Seat Post	.11
3.7	Accessory Trays and Console	.12
3.8	Assemble the Handlebar	.13
3.9	Pedals	.14
3.10	C1 Water Bottle Holder and Bracket	.14
4.	Initial Setup	.15
5.	Main Features	.17
5.1	Accessories	.17
5.2	Contact Heart Rate	.17
6.	Service and Product Maintenance	.18
6.1	Troubleshooting	.18
6.2	Preventive Maintenance Tips	.20
6.3	Preventive Maintenance Schedule	.21
6.4.	How to Obtain Product Service	.21
7	Specifications	.22
8.	Warranty Information	.23

This Operation Manual describes the functions of the following product:

Life Fitness Upright Lifecycle<sup>®</sup> Exercise Bike Models:

**C1 / C3**

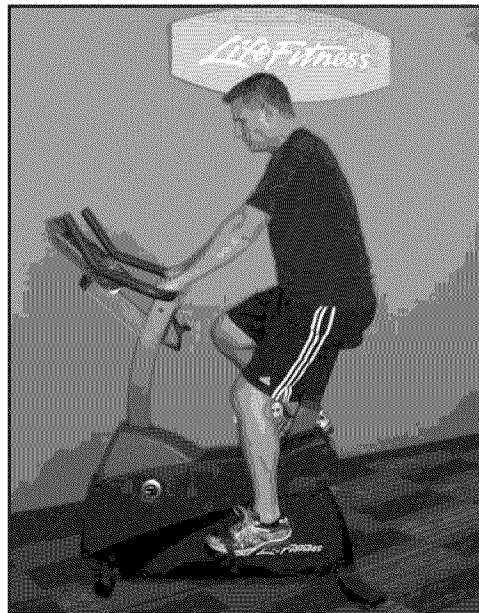
Thank you for purchasing a Life Fitness bike. Before using this product please read this user manual in its entirety to ensure that you have the knowledge to safely and properly operate all of the features on your bike. We hope you achieve the product experience on your bike that you expect, but if you do have any service issues please go to the *How to Obtain Product Service* section which will provide information on obtaining domestic and international product service. See *Specifications* in this manual for product specific features.

Statement of Purpose: The Life Fitness Lifecycle exercise bike is a machine that simulates the movements of riding a bicycle at various speeds and levels of resistance.



**CAUTION:** Health-related injuries may result from incorrect or excessive use of exercise equipment. The manufacturer **STRONGLY** recommends seeing a physician for a complete medical exam before undertaking an exercise program, particularly if the user has a family history of high blood pressure or heart disease; or is over the age of 45; or smokes, has high cholesterol, is obese, or has not exercised regularly in the past year. The manufacturer also recommends consulting a fitness professional on the correct use of this product.

If, at any time while exercising, the user experiences faintness, dizziness, pain, or shortness of breath, he or she must stop immediately.



# 1 IMPORTANT SAFETY INSTRUCTIONS

**WARNING:** Read all instructions before using the Life Fitness Lifecycle exercise bike. Save these Instructions.

**WARNING:** Heart rate monitoring systems may be inaccurate. Over exercising may result in serious injury or death. If you feel faint stop exercising immediately.

**DANGER:** To reduce the risk of electrical shock, always unplug this Life Fitness product before cleaning or attempting any maintenance activity.



**SAFETY WARNING:** The safety of the product can be maintained only if it is examined regularly for damage and wear. See Preventive Maintenance section for details.



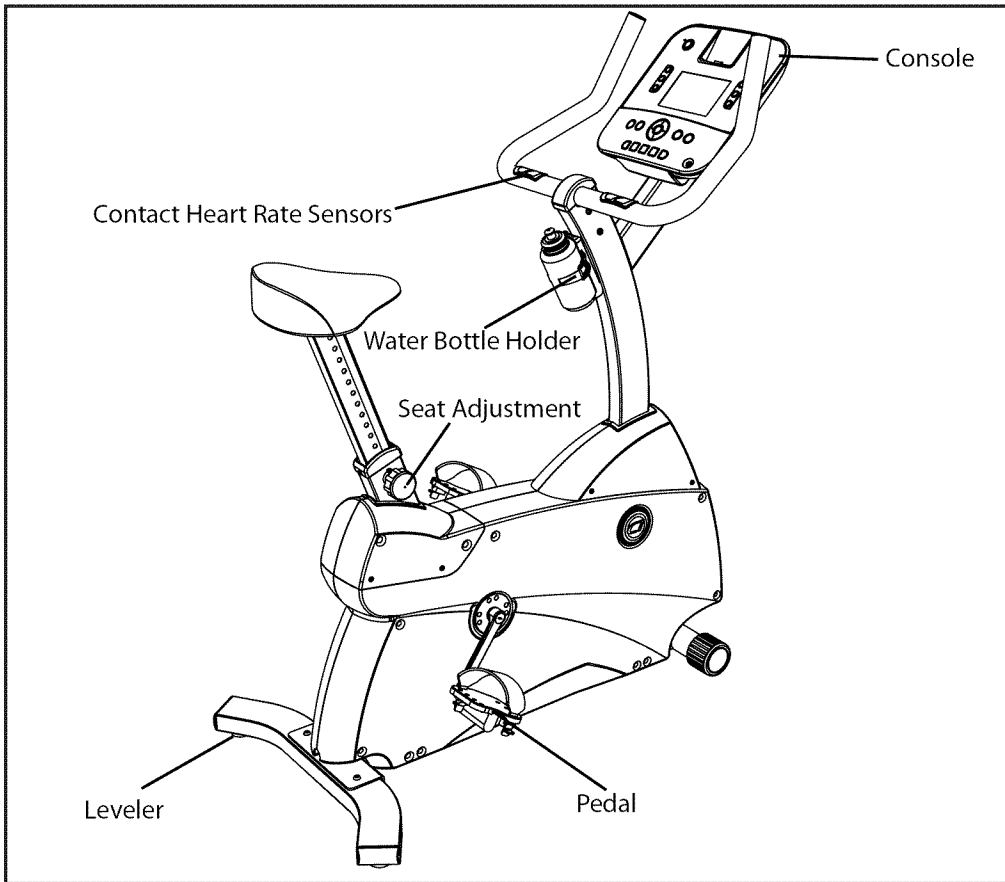
**The heart rate hand pulse sensors provide an approximate heart rate value. The sensors are not medical devices and should not be used in any type of medical application.**

- Before using this product, it is essential to read this ENTIRE operation manual and ALL instructions. The exercise bike is intended for use solely in the manner described in this manual.
- Always follow the console instructions for proper operation.
- This appliance is not intended for use by persons (including children) with reduced physical, sensory or mental capabilities, or lack of experience and knowledge, unless they have been given supervision or instruction concerning use of the appliance by a person responsible for their safety.
- Children should be supervised to ensure that they do not play with the appliance.
- Never insert objects into any openings in this product. If an object should drop inside, turn off the power, unplug the power cord from the outlet and carefully retrieve it. If the item cannot be reached, contact Life Fitness Customer Support Services.
- Never place liquids of any type directly on the unit, except in an accessory tray. Containers with lids are recommended.
- Do not use the exercise bike outdoors, near swimming pools or in areas of high humidity.
- Keep all loose clothing, shoelaces, and towels away from the bike pedals.
- Keep the area around the Lifecycle clear of any obstructions, including walls and furniture.
- Use caution when mounting or dismounting the Lifecycle.
- Never operate a Life Fitness product if it has been dropped, damaged, or even partially immersed in water. Contact Life Fitness Customer Support Services.
- Keep the power cord away from heated surfaces. Do not pull the equipment by the power cord or use the power cord as a handle.
- Do not run the power cord on the floor under or along side of the Lifecycle.
- Wear shoes with rubber or high-traction soles. Do not use shoes with heels, leather soles, cleats or spikes. Do not use the Lifecycle in bare feet.
- Do not tip the Lifecycle on its side during operation.
- Keep hands and feet away from all moving parts.
- To ensure proper functioning of this product, do not install attachments or accessories that are not provided or recommended by Life Fitness.

- Use this product in a well-ventilated area.
- Use this product on a solid, level surface.
- Make sure that all components are fastened securely.
- An appliance should never be left unattended when plugged in. Unplug from outlet when not in use, and before putting on or taking off parts.
- Do not operate under blanket or pillow. Excessive heating can occur and cause fire, electric shock, or injury to persons.
- Never operate this appliance if it has a damaged cord or plug, if it is not working properly, if it has been dropped or damaged, or dropped into water. Contact Life Fitness Customer Support Services.
- Never operate the appliance with the air openings blocked. Keep the air openings free of lint, hair, and the like.
- To disconnect, turn all controls to the off position, then remove plug from outlet.
- Allow LCD consoles to “normalize” with respect to temperature for one hour before plugging the unit in and/or using.

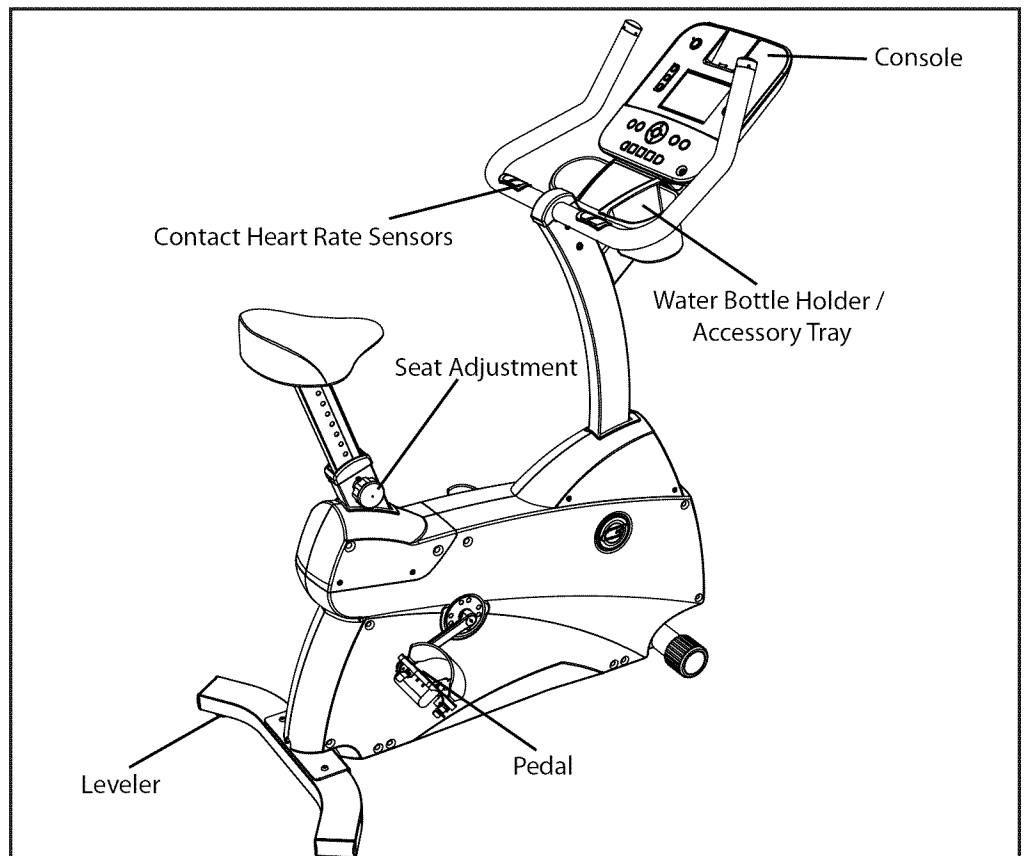
**SAVE THESE INSTRUCTIONS FOR HOUSEHOLD USE.**

# 2 C1 / C3 UPRIGHT LIFECYCLE<sup>®</sup> EXERCISE BIKE OVERVIEW



**C1 with  
Track Console**

**C3 with  
Track Console**





# 3 ASSEMBLY

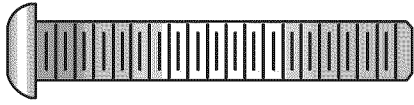
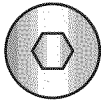
## 3.1 TOOLS & HARDWARE

Identify the following components after unpacking your Lifecycle.

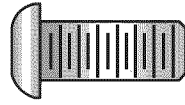
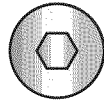
Item	Quantity		Description
	C1	C3	
1	2	2	50mm Button Head Screw
2	2	2	20mm Button Head Screw
3	2	2	100mm Hex Head Bolt
4	5	5	Thick Flat Washer - 16mm O.D.
5	2	2	60mm Hex Head Bolt
6	6	4	12mm Small Head Phillips Screw
7	4	4	Flat Washer - 12mm O.D.
8	3	3	Nylock Nut ( <i>on seat</i> )
9	3	3	Flat Washer ( <i>on seat</i> )
10	2	2	8mm Phillips Screw
11	2	2	6mm Phillips Screw
12	1	1	6mm Phillips Screw w/ Locking Compound
13	0	2	8mm Phillips Screw
14	4	4	15mm Button Head Screw
15	4	4	Flat Washer - 18mm O.D.
16	4	4	12mm Self-Tapping Screw

**Tools Needed for Assembly:**

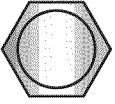
- Metric Wrench Set
- Metric Allen Wrench Set
- Phillips Screwdriver



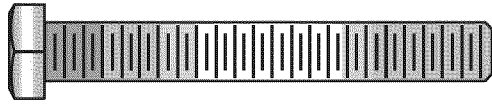
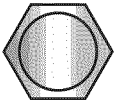
50mm Button Head Screw



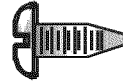
20mm Button Head Screw



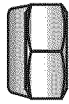
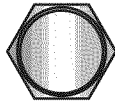
100mm Hex Head Bolt



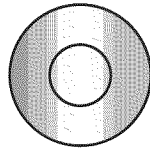
60mm Hex Head Bolt



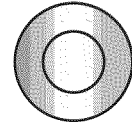
12mm Self-Tapping Screw



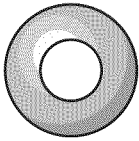
Nylock Nut (*on seat*)



Flat Washer (*on seat*)



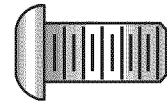
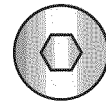
Thick Flat Washer -16mm O.D.



Flat Washer -18mm O.D.



Flat Washer -12mm O.D.



15mm Button Head Screw



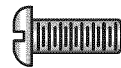
6mm Phillips Screw with Locking Compound



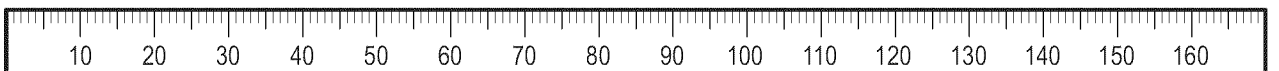
8mm Phillips Screw



6mm Phillips Screw



12mm Small Head Phillips Screw



## 3.2 PACKAGING

**Parts:** None

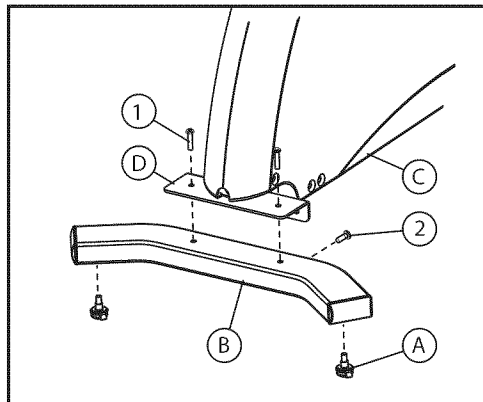
Remove all packaging and place main components to the side of the box. Break box down in each of the four corners.

## 3.3 ASSEMBLE THE REAR STABILIZER

**Parts:** Hardware Bag #1 (2, 50mm Button Head Screws)  
(2, 20mm Button Head Screws)

**Tools:** 5mm Hex Head Wrench

Locate and install the two LEVELER FEET (A) to the bottom of the REAR STABILIZER (B). With the bends facing rearward, attach the REAR STABILIZER (B) to the BASE UNIT (C) using two 50mm BUTTON HEAD SCREWS (1) from the top of the REAR STABILIZER BRACKET (D) and two 20mm BUTTON HEAD SCREWS (2) from the front side of the REAR STABILIZER BRACKET. Tighten the SCREWS securely.



## 3.4 ASSEMBLE THE MONOCOLUMN

**Parts:** Hardware Bag #2 (2, 100mm Hex Head Bolts)  
(5, Thick Flat Washers)  
(2, 60mm Hex Head Bolts)

**Tools:** 13mm Socket Wrench

Locate the MONOCOLUMN (E). Slide the MONOCOLUMN COVER (F) onto the MONOCOLUMN as shown. Slide the MONOCOLUMN COVER up to the CONSOLE SUPPORT (G).

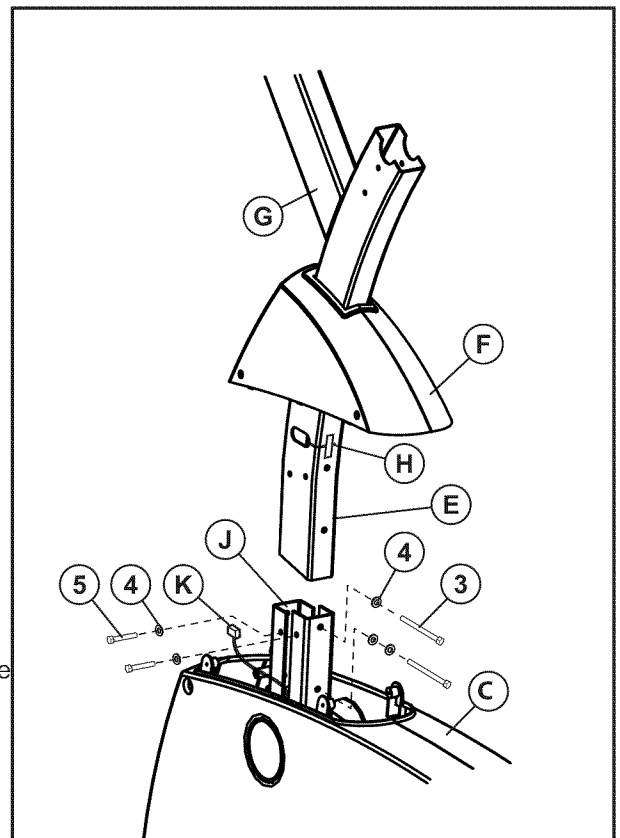
**Note:** A plastic zip-tie has been included to keep the MONOCOLUMN COVER (F) from falling during assembly.

**Note:** The MONOCOLUMN COVER (F) must slide over the WIRE TIE (H) taped to the front of the MONOCOLUMN (E).

With the CONSOLE SUPPORT (G) facing the front of the unit as shown, slide the MONOCOLUMN (E) into the MONOCOLUMN BRACKET (J) of the BASE UNIT (C).

Slide the MONOCOLUMN down until it is fully seated. Secure the MONOCOLUMN to the MONOCOLUMN BRACKET using two 100mm HEX HEAD BOLTS (3) and three THICK FLAT WASHERS (4) (as shown) from the rear side of the MONOCOLUMN. Use two 60mm HEX HEAD BOLTS (5) and two THICK FLAT WASHERS (4) from the user left side of the MONOCOLUMN BRACKET. Tighten the BOLTS securely.

**CAUTION:** Be careful not to pinch the WIRE (K) leading from the MONOCOLUMN BRACKET (J) when inserting the MONOCOLUMN (E) into the MONOCOLUMN BRACKET.



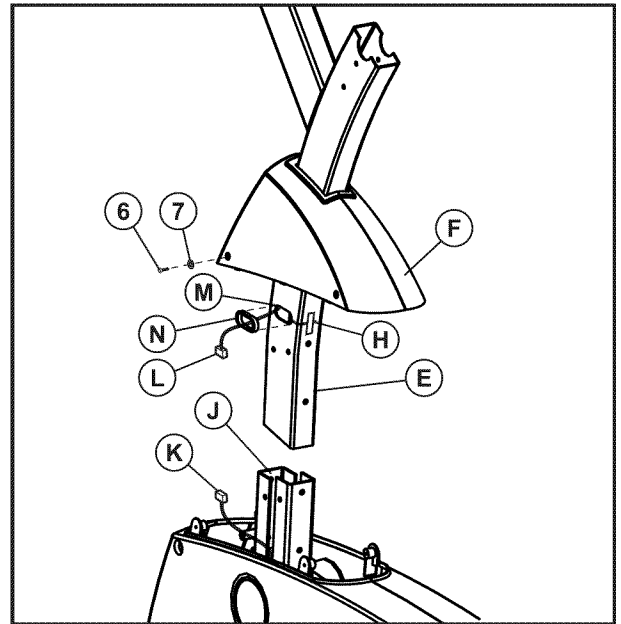
### 3.5 CONNECT WIRING / ATTACH COVER

**Parts:** Hardware Bag #3 (4, 12mm Phillips Screws)  
(4, Flat Washers)

**Tools:** Phillips Screwdriver

Detach the WIRE TIE (H) attached to the front of the MONOCOLUMN (E). Carefully pull the CONSOLE WIRE (L) through the SIDE ACCESS HOLE (M) of the MONOCOLUMN (E). Feed the CONSOLE WIRE through the GROMMET (N) as shown and insert the GROMMET into the SIDE ACCESS HOLE.

Connect the WIRE (K) leading from the MONOCOLUMN BRACKET (J) to the corresponding CONSOLE WIRE (L) from the SIDE ACCESS HOLE (M) of the MONOCOLUMN (E). Slide the MONOCOLUMN COVER (F) downward to meet the MAIN SHROUDS. Secure the MONOCOLUMN COVER to the MAIN SHROUDS using four 12mm PHILLIPS SCREWS (6) and matching FLAT WASHERS (7). Tighten the SCREWS securely. Do not overtighten the SCREWS.



### 3.6 ASSEMBLE THE SEAT AND SEAT POST

**Parts:** Hardware Bag #4 (3, Nylock Nuts)  
(3, Flat Washers)  
(2, 8mm Phillips Screws)  
(1, 6mm Phillips Screw with Locking Compound)  
(2, 6mm Phillips Screws)

**Tools:** 13mm Socket Wrench, Phillips Screwdriver

Locate the SEAT (O) and SEAT POST (P). Remove the three NYLOCK NUTS (8) and FLAT WASHERS (9) from the threaded studs on the bottom of the SEAT. Align the threaded studs of the SEAT with the mounting holes in the SEAT POST MOUNTING PLATE (Q). Secure the seat to the SEAT POST MOUNTING PLATE using the three previously removed NYLOCK NUTS and FLAT WASHERS. Tighten the NUTS securely.

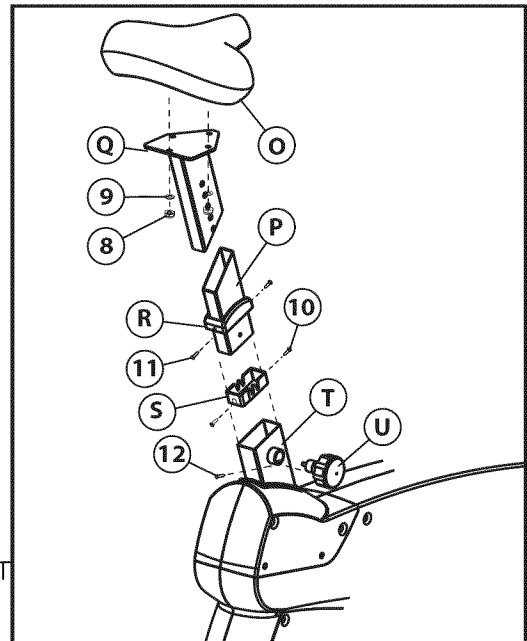
Locate the SEAT POST CAP (R). With the curved side facing upward toward the SEAT (O) and the inside notch aligned with the SEAT POST (P) adjustment decal, slide the SEAT POST CAP over the SEAT POST

Locate and slide the SEAT POST SPACER (S) over the end of the SEAT POST (P). Be sure the locking tabs fully engage the holes located at the bottom of the SEAT POST. Secure the SEAT POST SPACER using two 8 mm PHILLIPS SCREWS (10).

With the nose of the SEAT (O) facing forward, insert the SEAT POST (P) into the SEAT POST SUPPORT (T).

Slide the SEAT POST CAP (R) downward to meet the top of the SEAT POST SUPPORT (T). Secure the SEAT POST CAP to the SEAT POST SUPPORT using two 6mm PHILLIPS SCREWS (11). Tighten the SCREWS securely. Do not overtighten the SCREWS.

Begin inserting the SEAT ADJUSTMENT KNOB (U). Lift upward on the SEAT (O) and SEAT POST (P) until the SEAT POST locks into a position. Tighten the SEAT ADJUSTMENT KNOB fully. Insert the 6mm PHILLIPS SCREW W/LOCKING COMPOUND (12) and tighten securely.



### 3.7 ACCESSORY TRAYS & CONSOLE

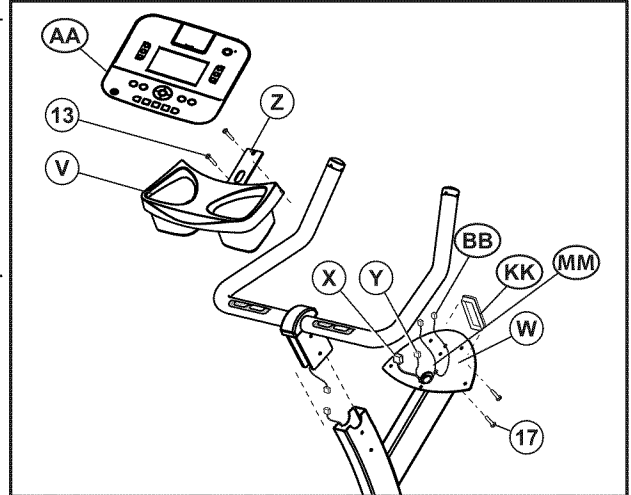
**Parts:** Hardware Bag #5 (2, 8mm Phillips Screws)  
(4, 12mm Self-Tapping Screws)

**Tools:** Phillips Screwdriver

**C3 Only:** Locate the ACCESSORY TRAY (V). Position the ACCESSORY TRAY near the top of the MONOCOLUMN (E) at the DISPLAY CONSOLE BRACKET (W). While holding the CONSOLE WIRE (X) and HEART RATE WIRE (Y), cut the wire tie securing the CONSOLE WIRES to the DISPLAY CONSOLE BRACKET. Feed the CONSOLE WIRES through the center hole of the ACCESSORY TRAY MOUNTING BRACKET (Z). Secure the ACCESSORY TRAY to the DISPLAY CONSOLE BRACKET using two 8mm PHILLIPS SCREWS (13). Tighten the SCREWS securely.

**CAUTION:** Be careful not to pinch the CONSOLE WIRE (X) and HEART RATE WIRE (Y) when securing the ACCESSORY TRAY (V) to the DISPLAY CONSOLE BRACKET (W).

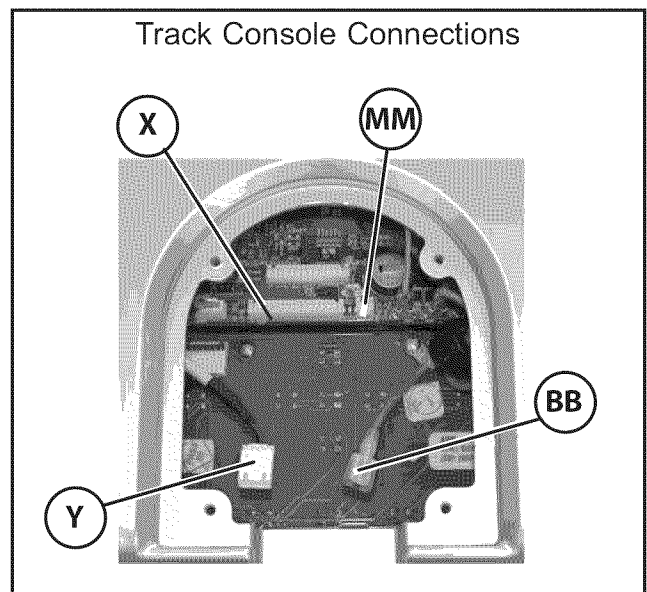
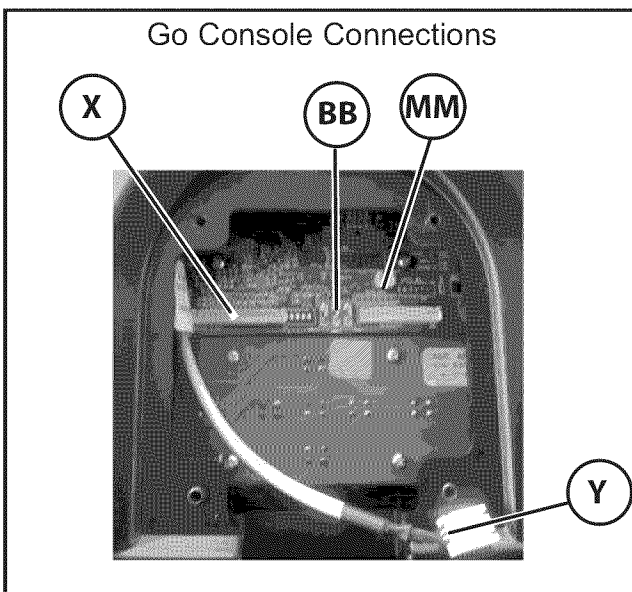
**Note:** Be careful not to let the CONSOLE WIRE (X) and HEART RATE WIRE (Y) fall into the DISPLAY CONSOLE BRACKET (W).



Remove the DISPLAY CONSOLE (AA) from its shipping carton. Position the DISPLAY CONSOLE above the ACCESSORY TRAY (V). Connect the CONSOLE WIRE 15-pin connector (X), HEART RATE WIRE 4-pin connector (Y), SUPPLEMENTAL POWER WIRE 2-pin connector (MM), and GROUND WIRE single spade (BB) (Green) to the corresponding CONNECTORS located on the back of the DISPLAY CONSOLE. Secure the DISPLAY CONSOLE to the DISPLAY CONSOLE BRACKET (W) using four 12mm SELF TAPPING SCREWS (17). Tighten the SCREWS securely. Do not over-tighten the SCREWS.

**C1 Only:** Remove the DISPLAY CONSOLE (AA) from its shipping carton. While holding the CONSOLE WIRE (X) and HEART RATE WIRE (Y), cut the wire tie securing the CONSOLE WIRE to the DISPLAY CONSOLE BRACKET (W). Position the DISPLAY CONSOLE above the DISPLAY CONSOLE BRACKET. Connect the CONSOLE WIRE 15-pin connector (X), HEART RATE WIRE 4-pin connector (Y), and GROUND WIRE single spade (BB) (Green) to the corresponding CONNECTORS located on the back of the DISPLAY CONSOLE. Secure the DISPLAY CONSOLE to the DISPLAY CONSOLE BRACKET using four 12mm SELF TAPPING SCREWS (17). Tighten the SCREWS securely. Do not over-tighten the SCREWS.

**Note:** Be careful not to let the CONSOLE WIRE (X) and HEART RATE WIRE (Y) fall into the DISPLAY CONSOLE BRACKET (W).



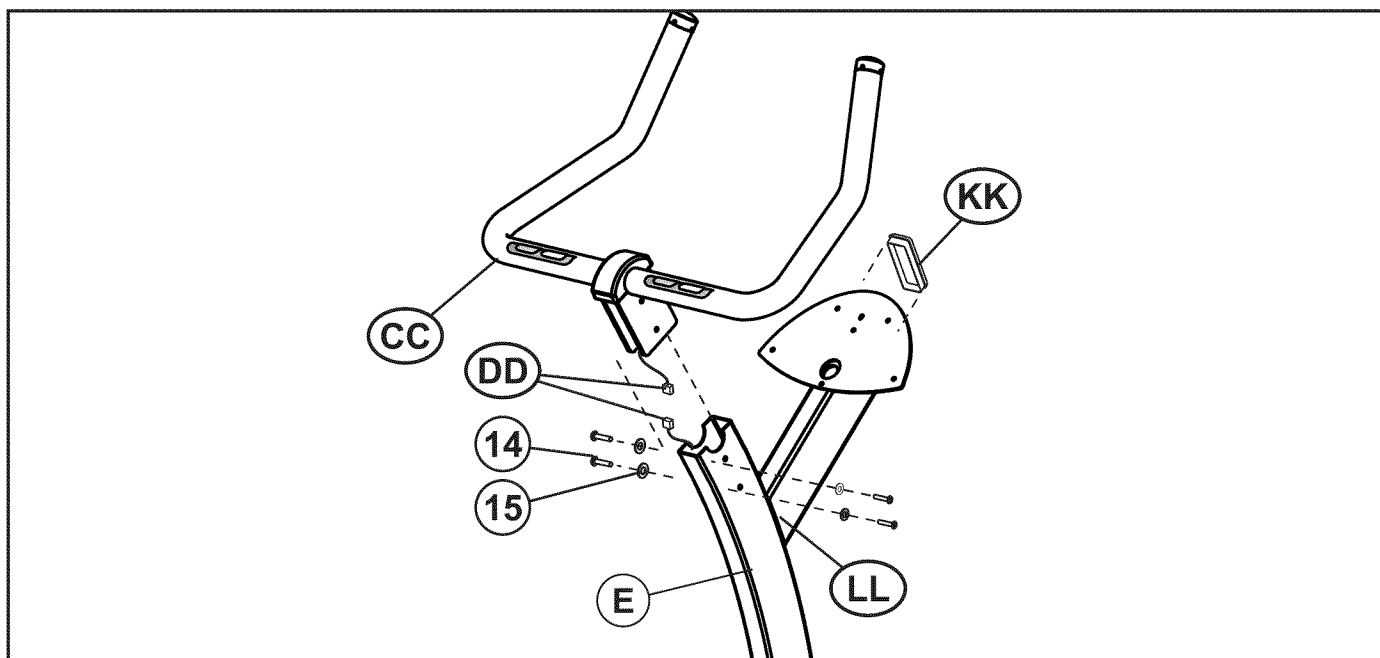
### 3.8 ASSEMBLE THE HANDLEBAR

**Parts:** Hardware Bag #6 (4, 15mm Button Head Screws)  
(4, Flat Washers)

**Tools:** 5mm Hex Head Wrench

Locate the HANDLEBAR ASSEMBLY (CC). With the handlebars facing forward, position the HANDLEBAR ASSEMBLY near the top of the MONOCOLUMN (E). Connect the WIRES (DD) leading from the HANDLEBAR ASSEMBLY and the MONOCOLUMN. Slide the HANDLEBAR ASSEMBLY fully into the MONOCOLUMN. Secure the HANDLEBAR ASSEMBLY to the MONOCOLUMN using four 15 mm BUTTON HEAD SCREWS (14) and matching FLAT WASHERS (15). Tighten the SCREWS securely.

**CAUTION** Be careful not to pinch the WIRES (DD) when sliding the HANDLEBAR ASSEMBLY (CC) into the MONOCOLUMN (E). Insert the ENDCAP (KK) into the CONSOLE BRACKET TUBE (LL).



### 3.9 PEDALS

**Tools:** 15mm Open End Wrench

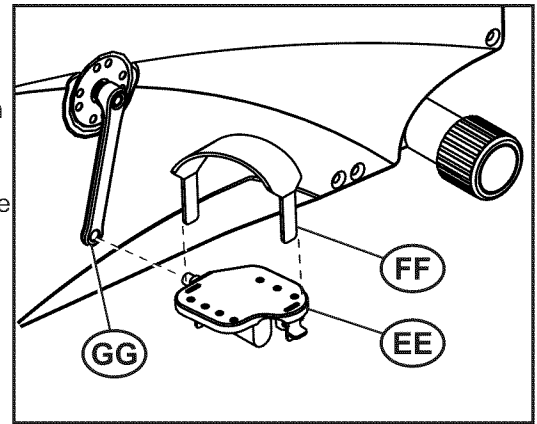
Locate the RIGHT PEDAL (EE) (marked with an "R") and PEDAL STRAP (FF) (marked with an "R"). With the side of the PEDAL STRAP marked with an "R" facing upward, slide the slotted end of the PEDAL STRAP through the left slot in the PEDAL. Fasten one of the slots onto the tab located under the left slot of the PEDAL. Bend the PEDAL STRAP upward and slide the remaining end of the PEDAL STRAP through the right slot in the PEDAL and into the strap adjustment clip.

The PEDAL STRAP should securely engage the strap adjustment clip.

Install the RIGHT PEDAL (EE) to the USER RIGHT CRANK ARM (GG). Repeat for the LEFT PEDAL (marked with an "L") and PEDAL STRAP (marked with an "L").

**Note:** The LEFT PEDAL has reverse threads.

**Note:** Pedals need to be securely tightened or clicking may occur.

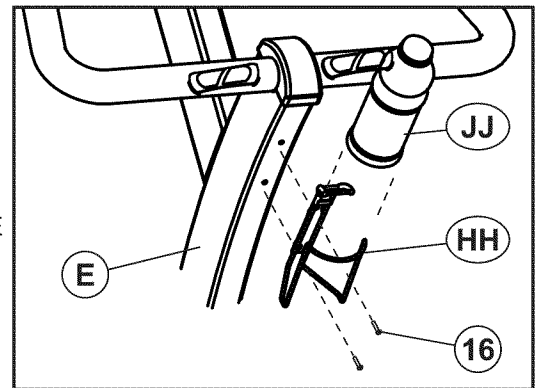


### 3.10 C1 WATER BOTTLE HOLDER & BRACKET

**Parts:** Hardware Bag #5 (2, 12mm Small Head Phillips Screws)

**Tools:** Phillips Screwdriver

Locate the WATER BOTTLE BRACKET (HH). Secure the WATER BOTTLE BRACKET to the underside of the MONOCOLUMN (E) using two 12 mm SMALL HEAD PHILLIPS SCREWS (16). Tighten the screws securely. Insert the WATER BOTTLE (JJ) into the WATER BOTTLE BRACKET.



# 4 INITIAL SETUP

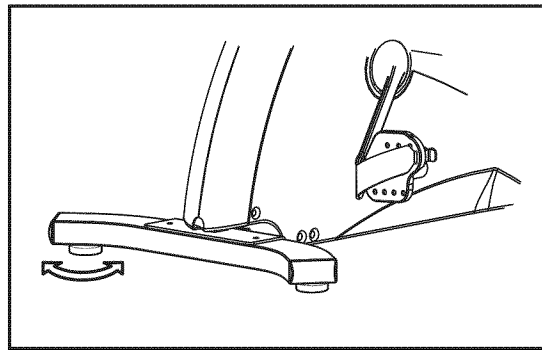
Read the entire User Manual before setting up the Lifecycle exercise bike.

## WHERE TO PLACE THE EXERCISE BIKE

Following all safety instructions in Section 1.1, move the bike to the location in which it will be used. See Section 7, *Specifications*, for the dimensions of the footprint. Allow a distance of 4 feet (120 centimeters) between the bike and other objects or surfaces on either side.

## HOW TO STABILIZE THE EXERCISE BIKE

After placing the bike in position, check the unit's stability by attempting to rock it in all directions. Any slight rocking indicates that the unit must be leveled. Determine which foot is not resting completely on the floor. Loosen the jam nut with an open-end 17mm wrench, and rotate the stabilizing foot to lower it. Verify that the bike is stable, and repeat the adjustment as necessary until the unit no longer rocks. Lock the adjustment by tightening the jam nut against the stabilizer bar.

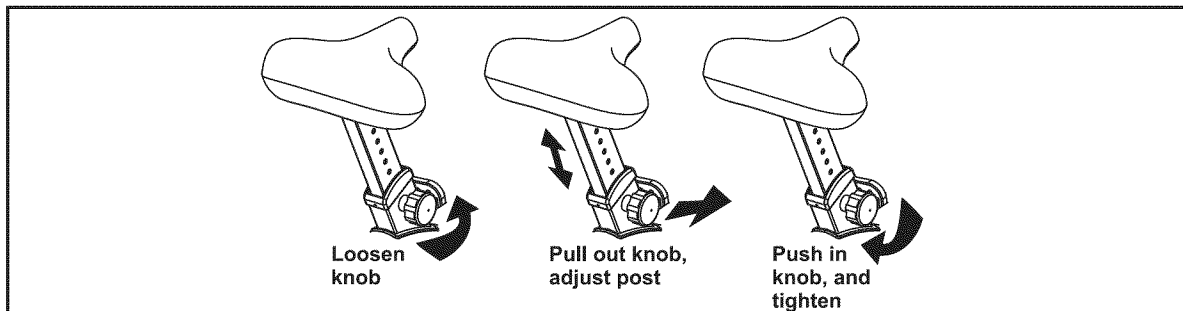


## HOW TO ADJUST THE SEAT TO ENSURE CORRECT BIOMECHANICAL POSITIONING

Proper seat positioning minimizes unnecessary leg muscle fatigue. To determine whether or not the seat requires adjustment, sit on it and place the balls of the feet on the pedals. The knee should bend slightly when the pedal is at the furthest point in its rotation, relative to the body. The user should be able to pedal without locking the knees or shifting in the seat.

**Adjusting the seat:** The bike post features a vertical locking pin seat adjustment system, which makes it easy and safe to change the height of the seat quickly. To raise the seat, first get off the bike. Hold the seat, turn the spring-loaded knob on the right of the seat post once counter-clockwise to loosen it, and pull out the knob to unlock the post from its present position. Pull the seat upward to the desired height, and release the knob to let it lock into place. Turn the knob once clockwise to tighten it. Test and re-adjust the seat height as necessary.

To lower the seat, first get off the bike. Hold the seat, turn the spring-loaded knob on the right of the seat post once counterclockwise to loosen it, and pull out the knob to unlock the post from its present position. Let the seat slide down to the desired height, and release the knob to let it lock into place. Turn the knob once clockwise to tighten it. Test and re-adjust the seat height as necessary.



**CAUTION :** When using the height adjustment mechanism to change the height of a partially raised seat, hold the seat to prevent it from falling on the hand.

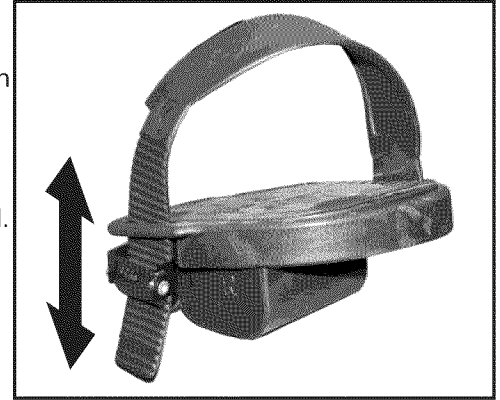
**CAUTION:** Do not attempt to lock the seat at a position higher than the minimum insertion depth marked on the seat post.



## HOW TO ADJUST THE PEDAL STRAPS

The bike pedal safety straps keep the user's shoes on the pedals during a workout. The straps should fit comfortably, but they also should be tight enough to prevent shoes from slipping at any point in the pedaling rotation. Before working out, the user should test and adjust the tightness of the straps.

The straps can be adjusted to fit a variety of shoe sizes. Each strap is held in place by a spring-loaded clip that is connected to the outer edge of each pedal. To tighten a strap, simply pull the loose end of the strap down. It automatically locks into place with each pull. To loosen a strap, press down on the top of the clip and pull the strap up. Release the clip to lock the strap into place. Test the adjustment, and change if necessary.



## STARTING UP THE BIKE

See Section 7, *Specifications*, for power requirements. Insert the AC adapter into an electrical outlet that has been properly installed and grounded in accordance with all local codes and ordinances.

Insert the power adapter jack into the barrel plug on the bottom of the exercise bike. Then insert the power supply into the wall outlet. Make sure the cord is routed so that it doesn't bind and will not be walked on.

Check that the console lights up. If not, recheck the plug and wall connections and make sure the wall outlet has power.

Once the unit's power is on, the console display lights up, making it possible to select a workout. When using a self-powered unit, start pedaling to light up the console.

**Note:** For customers outside the United States, please use your country specific transformer to power the unit.

**Note:** The C3 can be self-powered if using a Go Console. The PAUSE time is limited to 30 seconds. Workout data will be cleared after 30 seconds of inactivity. Extend the PAUSE time by plugging the power supply in to the Go Console.

# 5 MAIN FEATURES

## 5.1 ACCESSORIES

Two accessory trays (A) are mounted above the handlebars on the C3 to provide storage for items such as water bottles, personal stereos, and cell phones. A Water Bottle Holder (B) is located on the monocolumn of the C1.

Additionally, an integrated Reading Rack (C) for supporting a book or magazine is located at the base of the console.

## 5.2 CONTACT HEART RATE

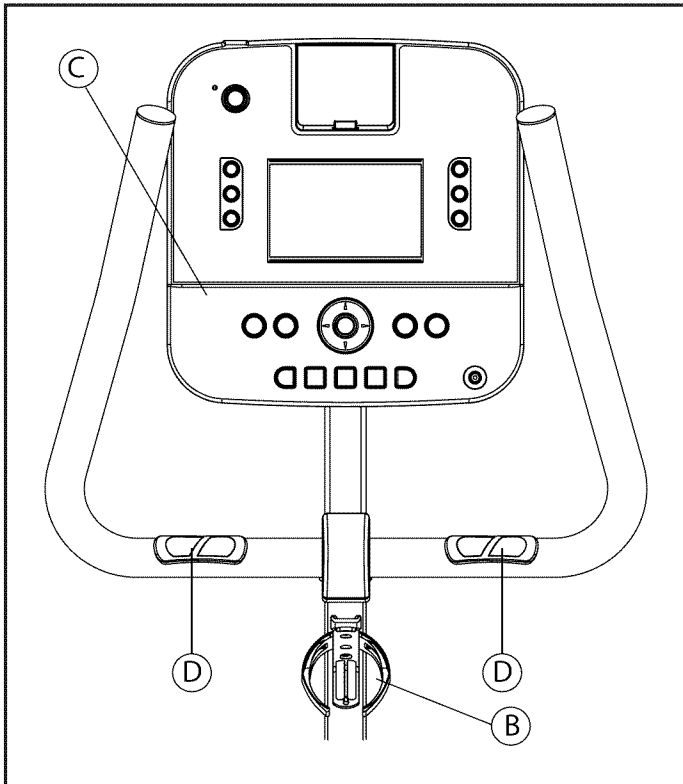
The hand pulse sensors (D) are a built-in heart rate monitoring system on the stationary handlebar. During a workout grasp the hand pulse sensors to monitor your heart rate. We recommend using the heart rate chest strap included with your console during workouts and using the hand pulse sensors to only occasionally monitor your heart rate when not using the chest strap. In addition, to utilize heart rate controlled workouts the chest strap must be used. For the most accurate reading, use a comfortable grip. The console will show a heart rate reading after 15 to 20 seconds.

Hand pulse sensors can work differently with different body types. With some individuals it can be very difficult to extract a heart rate reading. Follow the below tips to improve the heart rate reading.

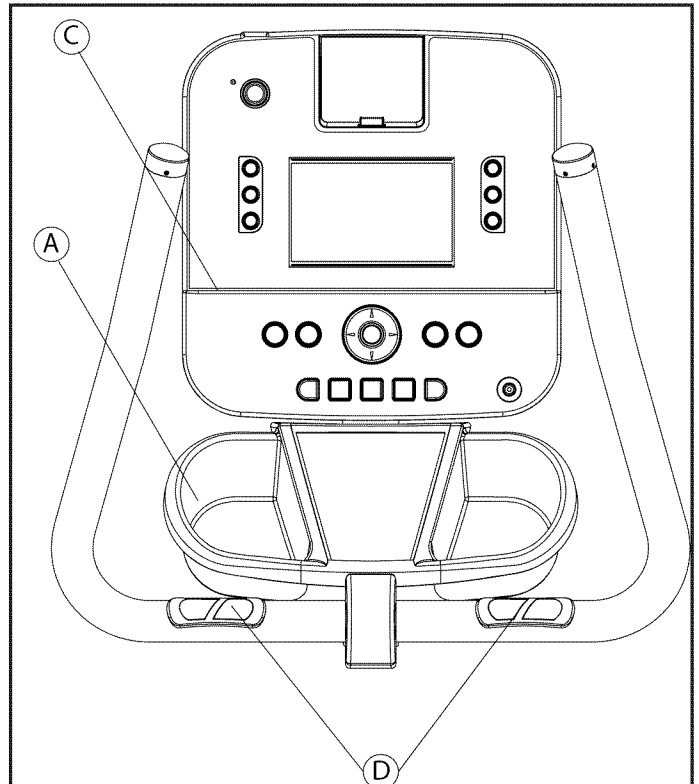
- Remove your hands from the heart rate sensors and wait for the heart rate display to clear. Grasp sensors again.
- Make sure hands are fully contacting the sensors.
- Dry hands periodically during use.
- Limit movement.
- Clean hand pulse sensors.

**Note:** The heart rate hand pulse sensors provide an approximate heart rate value. The sensors are not medical devices and should not be used in any type of medical application.

**C1 with Track Console**



**C3 with Track Console**



# 6 SERVICE & PRODUCT MAINTENANCE

## 6.1 TROUBLESHOOTING

Problem	Cause / Solution
No power.	Check to see that the power cord is fully plugged into the back of the Lifecycle exercise bike and into the wall. Make sure the power cord is fully seated into the back of the Lifecycle exercise bike.
	You may be in "Energy Saver Mode". Press the "Energy Saver" button to see if the console turns on.
	Verify that all customer assembly connections are working properly. Unplug and re-plug each connection to verify. Look to see if any cables were pinched during assembly.
Clicking noise while pedaling.	Use the wrench that was included with the Lifecycle exercise bike to ensure the pedals are assembled as tight as possible.
Hear noise as speed increases.	It is normal for any mechanical device to become louder as speed increases.
Can't feel a resistance change at the beginning levels.	The resistance curve of the Lifecycle exercise bike is designed so that you can feel a greater difference in resistance at higher levels.
Wireless heart rate is not working.	<p>Potential reasons for the wireless heart rate not to work properly include:</p> <ol style="list-style-type: none"> <li>1. The wireless heart rate is turned OFF in the Settings Menu. Enter the Settings Menu and verify that WIRELESS HR is turned ON.</li> <li>2. There is poor contact between the telemetry heart rate strap and the skin.</li> <li>3. There is electrical interference from electrical appliances with the telemetry heart rate strap from fluorescent lights, kitchen appliances, etc. Move the Lifecycle exercise bike to a different location or move electrical appliances away from the Lifecycle exercise bike.</li> <li>4. The battery in the Heart Rate Telemetry Strap needs to be replaced. The battery is a CR2032 (3V).</li> </ol>

Problem	Cause / Solution
<p>"OFF" is displayed in the LEVEL window on the console.</p>	<p>Turn the unit off and then on again.</p>
	<p>If power cycling the product did not work, there is a problem with the resistance system. Contact Customer Support Services for assistance.</p>
<p>The contact heart rate sensors are not reading my heart rate correctly.</p>	<p>Be sure to grasp the sensors firmly and keep hands still. If heart rate seems substantially higher or lower than expected, remove hands from sensors until heart rate disappears.</p>
	<p>Tips for contact heart rate:</p> <ol style="list-style-type: none"> <li>1. Dry hands to prevent slipping on the sensors.</li> <li>2. Apply hands to all four sensors (two in each hand).</li> <li>3. Grasp sensors firmly.</li> <li>4. Apply constant pressure to the sensors.</li> <li>5. May need to wait longer for heart rate to display.</li> </ol> <p><b>Note:</b> The heart rate hand pulse sensors provide an approximate heart rate value. The sensors are not medical devices and should not be used in any type of medical application.</p>
<p>Bike seat and post seem loose.</p>	<p>Be sure to tighten the seat adjustment knob after adjusting the seat height.</p>
<p>iPod is not recognized. <b>Note:</b> Applies to Track Console only.</p>	<p>This is displayed if your version of the iPod Player is not supported by the bike. It may also be displayed if the connector on the bike or iPod is damaged.</p>
<p>iPod is not charging while in Energy Saver mode. <b>Note:</b> Applies to Track Console only.</p>	<p>Your iPod will not charge if the bike enters Energy Saver mode. This is normal.</p>
<p>"Low Battery" message is displayed on the console. <b>Note:</b> Applies to Track Console only.</p>	<p>The console has an internal battery that keeps the real time clock functioning if the bike is unplugged. This real time clock is only needed if you use the Life Fitness "Virtual Trainer" website. You do not need to replace the battery if you do not use the website. Contact Customer Service for guidance on how to change the battery. The battery is a CR1632 (3V).</p>
<p>When I try to save a workout on the USB stick I receive the following message: UNABLE TO SAVE SEE MANUAL. <b>Note:</b> Applies to Track Console only.</p>	<p>The console may not have recognized the USB stick. Try unplugging the USB stick and plugging it back in. The USB stick may be full. The USB stick may not be compatible with the product. Try using a different USB stick.</p>

## 6.2 PREVENTIVE MAINTENANCE TIPS

The Life Fitness Lifecycle exercise bike is backed by the engineering excellence and reliability of Life Fitness and is one of the most rugged and trouble-free pieces of exercise equipment on the market today.

**Note:** *Safety of the equipment can be maintained only if the equipment is examined regularly for damage or wear. Keep the equipment out of use until the defective parts are required or replaced. Pay special attention to parts that are subject to wear, as outlined below.*

The following preventive maintenance tips will keep the Life Fitness exercise bike operating at peak performance:

- Locate the Life Fitness Bike in a cool, dry place.
- Keep the pedal straps fastened securely when using the Bike.
- Clean the top surface of the pedals regularly.
- Keep the display console free of fingerprints and salt build-up caused by sweat.
- Clean the display console and all exterior surfaces with an approved or compatible cleaner (see *Life Fitness Approved Cleaners*) and a soft cotton cloth.
- Long fingernails may damage or scratch the surface of the console; use the pad of the finger to press the selection buttons on the console.
- Clean the housing thoroughly on a regular basis.

### LIFE FITNESS APPROVED CLEANERS

Two preferred cleaners have been approved by Life Fitness reliability experts: PureGreen 24 and Gym Wipes. Both cleaners will safely and effectively remove dirt, grime and sweat from equipment. PureGreen 24 and the Antibacterial Force formula of Gym Wipes are both disinfectants that are effective against MRSA and H1N1.

PureGreen 24 is available in a convenient spray. Apply the spray to a microfiber cloth and wipe down the equipment. Use PureGreen 24 on the equipment for at least 2 minutes for general disinfection purposes and at least 10 minutes for fungus and viral control. Gym Wipes are large, durable pre-moistened wipes to use on the equipment before and after workouts. Use Gym Wipes on the equipment for at least 2 minutes for general disinfection purposes.

Contact Life Fitness Customer Support Services to order these cleaners.  
Call 1-800-351-3737 or email: [customersupport@lifefitness.com](mailto:customersupport@lifefitness.com).

### LIFE FITNESS COMPATIBLE CLEANERS

Mild soap and water or a mild non-abrasive household cleaner can also be used to clean the display and all exterior surfaces. Use a soft cotton cloth only. Apply the cleaner to the cotton cloth before cleaning. **DO NOT** use ammonia or acid based cleaners. **DO NOT** use abrasive cleaners. **DO NOT** use paper towels. **DO NOT** apply cleaners directly to the equipment surfaces.

### 6.3 PREVENTIVE MAINTENANCE SCHEDULE

<b>ITEM</b>	<b>WEEKLY</b>	<b>MONTHLY</b>	<b>BI-ANNUALLY</b>
<i>Console Overlay</i>	<i>Clean</i>		<i>Inspect</i>
<i>Bottle Holders</i>	<i>Clean</i>	<i>Inspect</i>	
<i>Console Mounting Bolts</i>			<i>Inspect</i>
<i>Frame</i>	<i>Clean</i>		<i>Inspect</i>
<i>Plastic Covers</i>	<i>Clean</i>	<i>Inspect</i>	<i>Inspect</i>
<i>Lifepulse Sensors</i>	<i>Clean / Inspect</i>		
<i>Pedals and Straps</i>	<i>Clean</i>	<i>Inspect</i>	

### 6.4 HOW TO OBTAIN PRODUCT SERVICE

1. Please contact your dealer or Life Fitness Customer Service at 1-800-351-3737.
2. Verify the symptom and review the operating instructions and troubleshooting matrix.
3. Locate and document the serial number of the unit. The serial number plate is located on the front stabilizer, below the shroud. Please also have proof of purchase information available.

# 7 SPECIFICATIONS

## LIFE FITNESS C1 / C3 UPRIGHT LIFECYCLE® EXERCISE BIKES

Designed Use:	Home
Max User Weight:	300 lbs. / 136 kg. (C1) 400 lbs. / 181 kg. (C3)
Pedal Size:	4.5 in. / 11.5 cm.
Drive Type:	Poly -V belt-drive
Power Requirements:	120 Volt (U.S.), 220 Volt (Europe), 240+ Volt (Australia) <b>Note:</b> The C3 can be self-powered with the Go Console.
Accessories:	Water Bottle Holder & Reading Rack (C1) Two Accessory Trays & Reading Rack (C3)
Resistance System:	Eddy Current (C1) Generator (C3) <b>Note:</b> Both resistance systems are speed independent.

<b>Assembled Dimensions</b>	<b>C1</b>	<b>C3</b>
Length	41 in. / 104 cm.	45 in. / 114 cm.
Width	23.5 in. / 60 cm.	27.2 in. / 69 cm.
Height	56 in. / 142 cm.	56 in. / 142 cm.
Weight	116 lbs. / 52.6 kg.	112.8 lbs. / 51 kg.
<b>Shipped Dimensions</b>		
	<b>C1</b>	<b>C3</b>
Length	44.88 in. / 114 cm.	44.88 in. / 114 cm.
Width	17.91 in. / 45.5 cm.	17.91 in. / 45.5 cm.
Height	29.92 in. / 76 cm.	29.92 in. / 76 cm.
Weight	132 lbs. / 59.9 kg.	132 lbs. / 59.9 kg.

# 8 WARRANTY INFORMATION

Model	Limited Lifetime	3 Years	1 Year
C1 / C3 Upright Lifecycle Base	Frame	Electrical Parts & Mechanical Parts	Labor

**WHAT IS COVERED:**

This Life Fitness consumer product ("Product") is warranted to be free of all defects in material and workmanship.

**WHO IS COVERED:**

The original purchaser or any person receiving a newly purchased Product as a gift from the original purchaser. Warranty will be voided on subsequent transfers.

**HOW LONG IS IT COVERED:**

Residential: All electrical and mechanical components and labor are covered, after the date of purchase, as listed on the chart above.

Non-Residential: Warranty void (this Product is intended for residential use only).

**WHO PAYS SHIPPING & INSURANCE FOR SERVICE:**

If the Product or any warranted part must be returned to a service facility for repairs, Life Fitness will pay all shipping and insurance charges during the warranty period (within the United States only). The purchaser is responsible for shipping and insurance charges after the warranty has expired.

**WHAT WE WILL DO TO CORRECT COVERED DEFECTS:**

We will ship to you any new or rebuilt replacement part or component, or, at our option, replace the Product. Such replacement parts are warranted for the remaining portion of the original warranty period.

**WHAT IS NOT COVERED:**

Any failures or damage caused by unauthorized service, misuse, accident, negligence, improper assembly or installation, debris resulting from any construction activities in the Product's environment, rust or corrosion as a result of the Product's location, alterations or modifications without our written authorization or by failure on your part to use, operate and maintain the Product as set out in your User Manual ("Manual"). All terms of this warranty are void if this Product is moved beyond the continental borders of the United States of America (excluding Alaska, Hawaii and Canada) and are then subject to the terms provided by that country's local authorized Life Fitness Representative.

**WHAT YOU MUST DO:**

Retain proof of purchase. Use, operate and maintain the Product as specified in the Manual; notify the place of purchase of any defect within 10 days after discovery of the defect; if instructed, return any defective part for replacement or, if necessary, the entire Product for repair. Life Fitness reserves the right to decide whether or not a product is to be returned for repair.

**USER MANUAL:**

It is VERY IMPORTANT THAT YOU READ THE MANUAL before operating the Product. Remember to perform the periodic maintenance requirements specified in the Manual to assure proper operation and your continued satisfaction.

**PRODUCT REGISTRATION:**

Register online at [www.lifefitness.com/home/product-registration.html](http://www.lifefitness.com/home/product-registration.html). Our receipt assures that your name, address and date of purchase are on file as a registered owner of the Product. Being a registered owner assures coverage in the event you lose your proof of purchase. Please retain your proof of purchase, such as your bill of sale or receipt.



**HOW TO GET PARTS & SERVICE:**

Refer to page one of this manual for your local service contact information. Reference your name, address and the serial number of your Product (consoles and frames may have separate serial numbers). They will tell you how to get a They will tell you how to get a replacement part, or, if necessary, arrange for service where your Product is located.

**EXCLUSIVE WARRANTY:**

THIS LIMITED WARRANTY IS IN LIEU OF ALL OTHER WARRANTIES OF ANY KIND EITHER EXPRESSED OR IMPLIED, INCLUDING BUT NOT LIMITED TO THE IMPLIED WARRANTIES OF MERCHANTABILITY AND FITNESS FOR A PARTICULAR PURPOSE, AND ALL OTHER OBLIGATIONS OR LIABILITIES ON OUR PART. We neither assume nor authorize any person to assure for us any other obligation or liability concerning the sale of this Product. Under no circumstances shall we be liable under this warranty, or otherwise, of any damage to any person or property, including any lost profits or lost savings, for any special, indirect, secondary, incidental or consequential damages of any nature arising out of the use of or inability to use this Product. Some states do not allow the exclusion or limitation of implied warranties or of liability for incidental or consequential damages, so the above limitations or exclusions may not apply to you. Warranties may vary outside the U.S. Contact Life Fitness for details.

**CHANGES IN WARRANTY NOT AUTHORIZED:**

No one is authorized to change, modify or extend the terms of this limited warranty.

**EFFECT OF U.S. STATE LAWS:**

This warranty gives you specific legal rights and you may have other rights which vary from state to state.