

Use & Care Guide
Manual de uso y cuidado
Guide d'utilisation et d'entretien
English / Español / Français

Models/Modelos/Modèles: 665.1320*, 665.1340*, 665.1349*, 665.1369*

Kenmore®

ULTRA WASH® Dishwasher

Lavavajillas ULTRA WASH®

Lave-vaisselle ULTRA WASH®

* = color number, número de color, le numéro de la couleur

P/N W10620228B
Sears Brands Management Corporation
Hoffman Estates, IL 60179 U.S.A.
www.kenmore.com
www.sears.com
Sears Canada Inc.
Toronto, Ontario, Canada M5B 2C3
www.sears.ca



TABLE OF CONTENTS

PROTECTION AGREEMENTS	2	DISHWASHER USE	15
WARRANTY	3	Cycles and Options Information	15
DISHWASHER SAFETY	4	Dishwasher Control Section.....	16
PARTS AND FEATURES	6	Dishwasher Feedback Section.....	17
START-UP / QUICK REFERENCE	7	Canceling A Cycle	17
ULTRA WASH® FILTRATION SYSTEM	8	Changing A Cycle After Dishwasher Is Started.....	17
DISHWASHER EFFICIENCY TIPS	9	WASHING SPECIAL ITEMS	18
DETERGENT AND RINSE AID	10	DISHWASHER CARE	19
Detergent	10	Cleaning.....	19
Rinse Aid.....	10	Drain Air Gap.....	19
LOADING	11	Vacation or Extended Time Without Use	19
Loading for Best Cleaning and Drying Performance.....	11	TROUBLESHOOTING	20
Top Rack Loading.....	12	SERVICE NUMBERS	BACK COVER
Bottom Rack Loading.....	13		

PROTECTION AGREEMENTS

Master Protection Agreements

Congratulations on making a smart purchase. Your new Kenmore® product is designed and manufactured for years of dependable operation. But like all products, it may require preventive maintenance or repair from time to time. That's when having a Master Protection Agreement can save you money and aggravation.

The Master Protection Agreement also helps extend the life of your new product. Here's what the Agreement* includes:

- ✓ **Parts and labor** needed to help keep products operating properly **under normal use**, not just defects. Our coverage goes **well beyond the product warranty**. No deductibles, no functional failure excluded from coverage—**real protection**.
- ✓ **Expert service** by a force of more than 10,000 authorized **Sears service technicians**, which means someone you can trust will be working on your product.
- ✓ **Unlimited service calls and nationwide service**, as often as you want us, whenever you want us.
- ✓ **"No-lemon" guarantee** – replacement of your covered product if four or more product failures occur within twelve months.
- ✓ **Product replacement** if your covered product can't be fixed.
- ✓ **Annual Preventive Maintenance Check** at your request – no extra charge.
- ✓ **Fast help by phone** – we call it **Rapid Resolution** – phone support from a Sears representative on all products. Think of us as a "talking owner's manual."
- ✓ **Power surge protection** against electrical damage due to power fluctuations.

- ✓ **\$250 Food Loss Protection** annually for any food spoilage that is the result of mechanical failure of any covered refrigerator or freezer.
- ✓ **Rental reimbursement** if repair of your covered product takes longer than promised.
- ✓ **25% discount** off the regular price of any non-covered repair service and related installed parts.

Once you purchase the Agreement, a simple phone call is all that it takes for you to schedule service. You can call anytime day or night, or schedule a service appointment online.

The Master Protection Agreement is a risk free purchase. If you cancel for any reason during the product warranty period, we will provide a full refund. Or, a prorated refund anytime after the product warranty period expires. Purchase your Master Protection Agreement today!

Some limitations and exclusions apply. For prices and additional information in the U.S.A. call 1-800-827-6655.

***Coverage in Canada varies on some items. For full details call Sears Canada at 1-800-361-6665.**

Sears Installation Service

For Sears professional installation of home appliances, garage door openers, water heaters, and other major home items, in the U.S.A. or Canada call 1-800-4-MY-HOME®.

KENMORE APPLIANCE WARRANTY

ONE YEAR LIMITED WARRANTY

When installed, operated and maintained according to all supplied instructions, if this appliance fails due to a defect in material and workmanship within one year from the date of purchase, call 1-800-4-MY-HOME® (1-800-469-4663) to arrange for free repair.

If this appliance is ever used for other than private family purposes, this warranty applies for only 90 days from the date of purchase.

This warranty covers only defects in material and workmanship. Sears will NOT pay for:

1. Expendable items that can wear out from normal use, including but not limited to filters, belts, incandescent light bulbs, and bags.
2. A service technician to instruct the user in correct product installation, operation or maintenance.
3. A service technician to clean or maintain this product.
4. Damage to or failure of this product if it is not installed, operated or maintained according to all instructions supplied with the product.
5. Damage to or failure of this product resulting from accident, abuse, misuse or use for other than its intended purpose.
6. Damage to or failure of this product caused by the use of detergents, cleaners, chemicals or utensils other than those recommended in all instructions supplied with the product.
7. Damage to or failure of parts or systems resulting from unauthorized modifications made to this product.

Disclaimer of implied warranties; limitation of remedies

Customer's sole and exclusive remedy under this limited warranty shall be product repair as provided herein. Implied warranties, including warranties of merchantability or fitness for a particular purpose, are limited to one year or the shortest period allowed by law. Sears shall not be liable for incidental or consequential damages. Some states and provinces do not allow the exclusion or limitation of incidental or consequential damages, or limitations on the duration of implied warranties of merchantability or fitness, so these exclusions or limitations may not apply to you.

This warranty applies only while this appliance is used in the United States or Canada*.

This warranty gives you specific legal rights, and you may also have other rights which vary from state to state.

*In Canada, in-home repair service is not available in all areas, nor will this warranty cover user or servicer travel and transportation expenses if this product is located in a remote area (as defined by Sears Canada Inc.) where an authorized servicer is not available.

**Sears Brands Management Corporation
Hoffman Estates, IL 60179**

**Sears Canada Inc.
Toronto, Ontario, Canada M5B 2C3**

DISHWASHER SAFETY

Your safety and the safety of others are very important.

We have provided many important safety messages in this manual and on your appliance. Always read and obey all safety messages.



This is the safety alert symbol.

This symbol alerts you to potential hazards that can kill or hurt you and others.

All safety messages will follow the safety alert symbol and either the word "DANGER" or "WARNING." These words mean:

! DANGER

You can be killed or seriously injured if you don't immediately follow instructions.

! WARNING

You can be killed or seriously injured if you don't follow instructions.

All safety messages will tell you what the potential hazard is, tell you how to reduce the chance of injury, and tell you what can happen if the instructions are not followed.

IMPORTANT SAFETY INSTRUCTIONS

WARNING: When using the dishwasher, follow basic precautions, including the following:

- Read all instructions before using the dishwasher.
- Use the dishwasher only for its intended function.
- Use only detergents or rinse agents recommended for use in a dishwasher, and keep them out of the reach of children.
- When loading items to be washed:
 - 1) Locate sharp items so that they are not likely to damage the door seal; and
 - 2) Load sharp knives with the handles up to reduce the risk of cut-type injuries.
- Do not wash plastic items unless they are marked "dishwasher safe" or the equivalent. For plastic items not so marked, check the manufacturer's recommendations.
- Do not touch the heating element during or immediately after use.
- Do not operate the dishwasher unless all enclosure panels are properly in place.
- Do not tamper with controls.
- Do not abuse, sit on, or stand on the door, lid, or dish racks of the dishwasher.
- To reduce the risk of injury, do not allow children to play in or on the dishwasher.
- Under certain conditions, hydrogen gas may be produced in a hot water system that has not been used for two weeks or more. **HYDROGEN GAS IS EXPLOSIVE.** If the hot water system has not been used for such a period, before using the dishwasher turn on all hot water faucets and let the water flow from each for several minutes. This will release any accumulated hydrogen gas. As the gas is flammable, do not smoke or use an open flame during this time.
- Remove the door or lid to the washing compartment when removing an old dishwasher from service or discarding it.

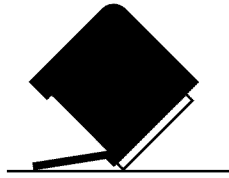
SAVE THESE INSTRUCTIONS

State of California Proposition 65 Warnings:

WARNING: This product contains one or more chemicals known to the State of California to cause cancer.

WARNING: This product contains one or more chemicals known to the State of California to cause birth defects or other reproductive harm.

⚠ WARNING



Tip Over Hazard

Do not use dishwasher until completely installed.

Do not push down on open door.

Doing so can result in serious injury or cuts.

⚠ WARNING



Electrical Shock Hazard

Electrically ground dishwasher.

Connect ground wire to green ground connector in terminal box.

Do not use an extension cord.

Failure to follow these instructions can result in death, fire, or electrical shock.

GROUNDING INSTRUCTIONS

■ **For a grounded, cord-connected dishwasher:**

The dishwasher must be grounded. In the event of a malfunction or breakdown, grounding will reduce the risk of electric shock by providing a path of least resistance for electric current. The dishwasher is equipped with a cord having an equipment-grounding conductor and a grounding plug. The plug must be plugged into an appropriate outlet that is installed and grounded in accordance with all local codes and ordinances.

WARNING: Improper connection of the equipment-grounding conductor can result in a risk of electric shock. Check with a qualified electrician or service representative if you are in doubt whether the dishwasher is properly grounded. Do not modify the plug provided with the dishwasher; if it will not fit the outlet, have a proper outlet installed by a qualified electrician.

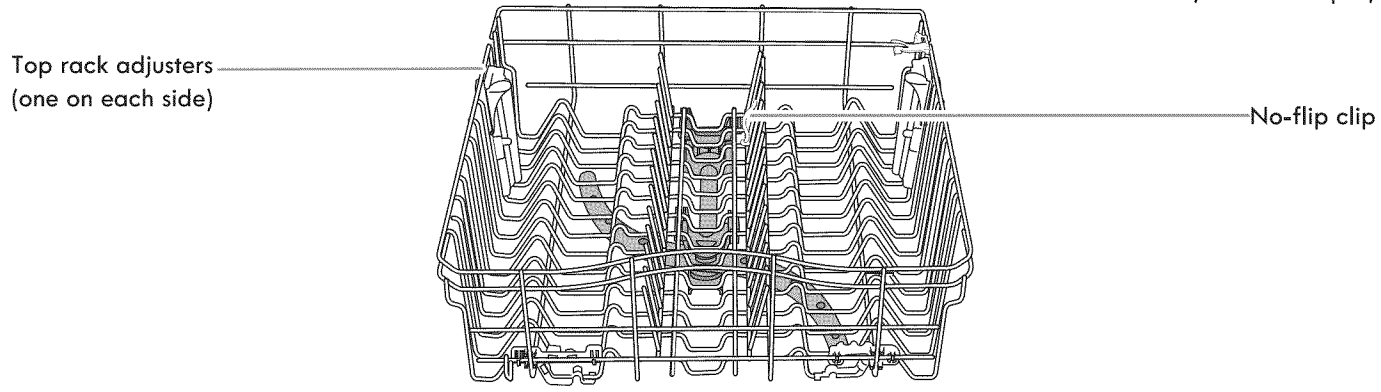
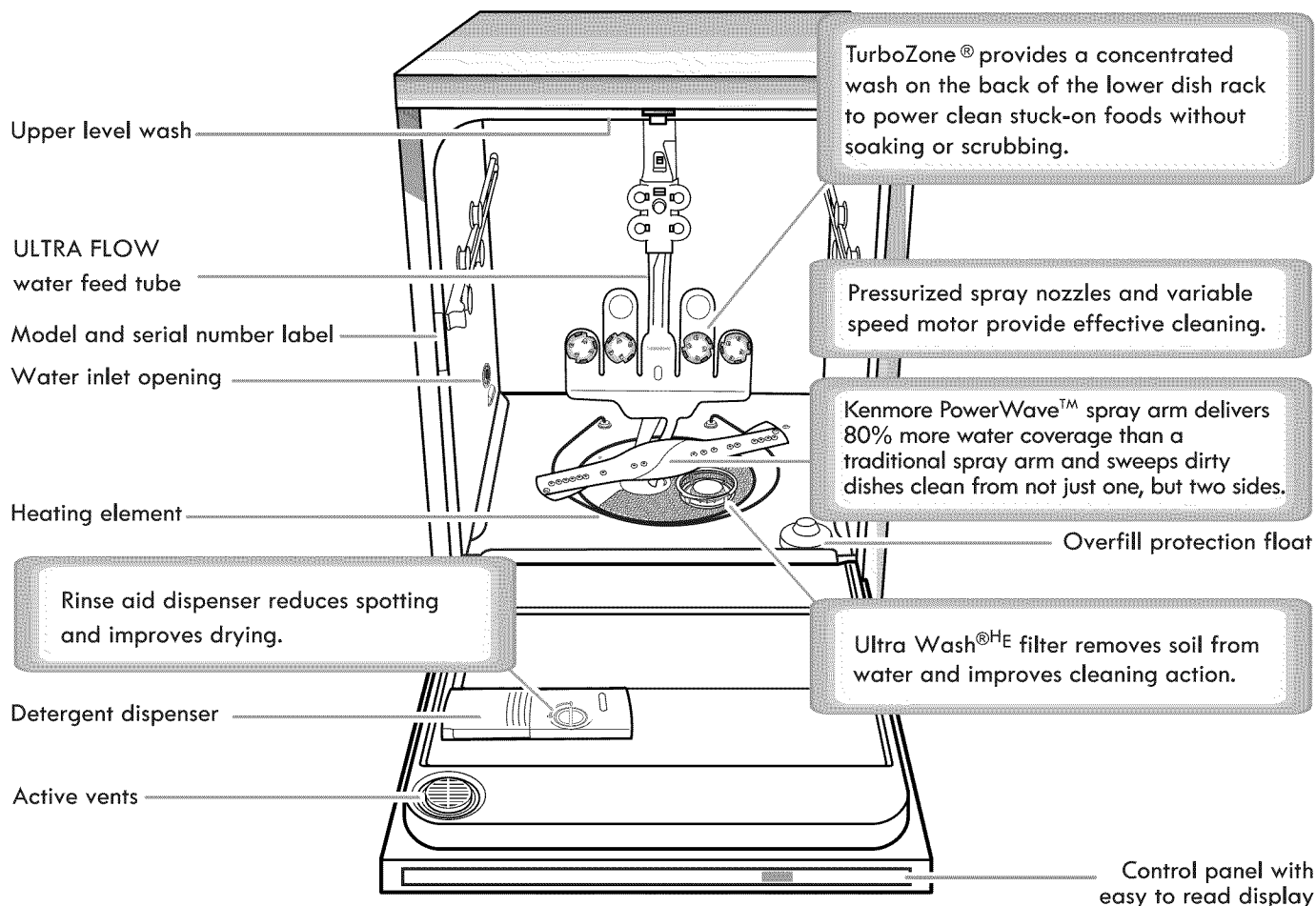
■ **For a permanently connected dishwasher:**

The dishwasher must be connected to a grounded metal, permanent wiring system, or an equipment-grounding conductor must be run with the circuit conductors and connected to the equipment-grounding terminal or lead on the dishwasher.

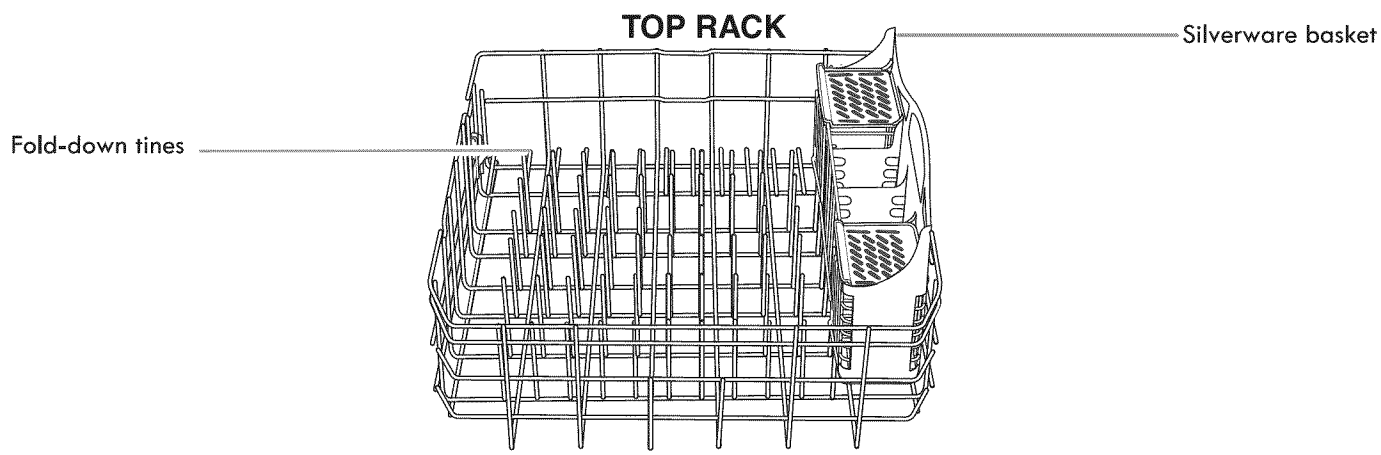
SAVE THESE INSTRUCTIONS

- Install where dishwasher is sheltered from the elements. Avoid possible rupture of fill valve from freezing. Such ruptures are not covered by the warranty. See the "Vacation or Extended Time Without Use" section.
- Install and level dishwasher on a floor that will hold the weight, and in an area suitable for its size and use.
- Remove all shipping plugs from hoses and connectors (such as the cap on the drain outlet) before installing. See Installation Instructions for complete information.

PARTS AND FEATURES



TOP RACK



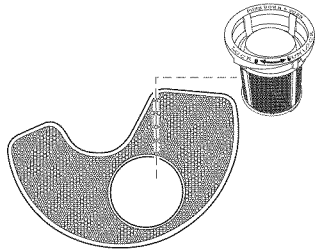
BOTTOM RACK

START-UP / QUICK REFERENCE (VARIES BY MODEL)

ULTRA WASH^{®HE} removable filters provide peak performance.

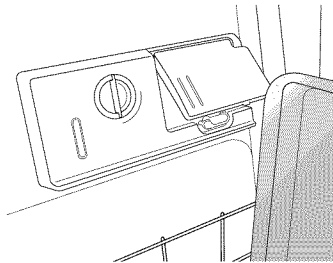
Cleaning the filters periodically helps keep the dishwasher working at peak performance. The filters can be found at the bottom center of your dishwasher.

See “ULTRA WASH^{®HE} FILTRATION SYSTEM” for information on removing and maintaining the filters.



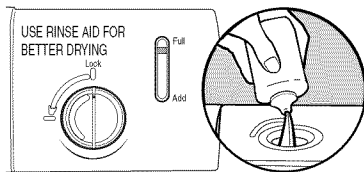
IMPORTANT: Do not block detergent dispenser.

Tall items placed in the lower rack may block the dispenser door. Cookie sheets and cutting boards loaded on the left-hand side of the dishwasher can easily block the dispenser. If detergent is inside of the dispenser or on the bottom of the tub after the cycle is complete, the dispenser was blocked.



Drying - Rinse Aid is essential.

You must use a drying agent such as rinse aid for good drying performance (sample included). Rinse aid along with the Turbo Heat Dry will provide best drying and avoid excessive moisture in the dishwasher interior.



Turbo Heat Dry

1 Hour Wash - When you need fast results.

High Efficiency dishwashers run longer to save water and energy just like driving a car slower saves on gas. When you need fast results, the 1 Hour Wash will clean your dishes using more water and energy. For improved drying, select the Turbo Heat Dry option to add additional time to dry.

1 Hr Wash

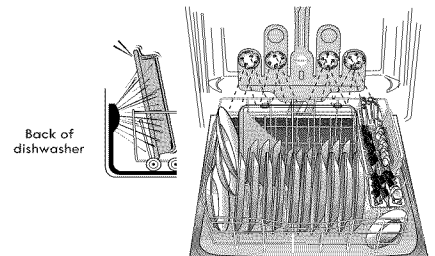
SmartWash^{®HE} cycle

SmartWash^{®HE} provides optimal results using only the amount of water and energy needed. The SmartWash^{®HE} and Pots & Pans cycles are recommended for tough soil.



TurboZone[®] loading (on some models)

When the TurboZone[®] option is selected, it provides a concentrated wash on the back of the lower dish rack for hard-to-clean dishes. Place these dishes with the soiled surface of the dish toward the TurboZone[®] spray nozzles in the lower rack of the dishwasher.



Turbo Zone

Press START every time you add a dish.

To start and resume a cycle, press START and close the door within 3 seconds. If the door is not closed within 3 seconds, the start button LED will flash and the cycle will not start.

IMPORTANT: If anyone opens the door (as, to add a dish, even during the Delay Hours option), the START button must be pressed each time and the door closed within 3 seconds to resume the cycle.

REPEAT LAST CYCLE



Detergent Dosing

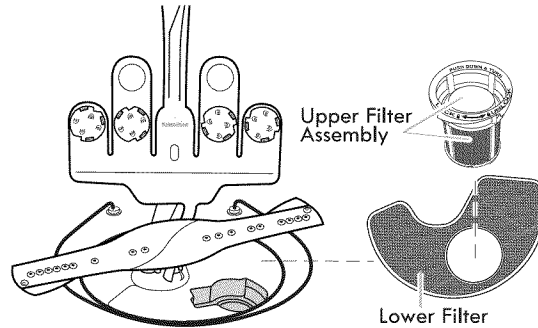
It is possible to use too much detergent in your dishwasher. This can lead to etching of your dishes. See “Detergent and Rinse Aid” to determine the amount of detergent needed based on your water hardness. Dishwasher detergent tablets and packs have been proven better than powder, liquid or gel detergents to reduce filming on your dishes.

ULTRA WASH[®] HE FILTRATION SYSTEM

Your dishwasher has the latest technology in dishwasher filtration. This triple filtration system minimizes sound and optimizes water and energy consumption while providing superior cleaning performance. Throughout the life of your dishwasher, the filter will require maintenance to sustain peak cleaning performance.

The triple filter system consists of 2 parts, an upper filter assembly and a lower filter.

- The upper filter assembly keeps oversized items and foreign objects, along with very fine food particles out of the pump.
- The lower filter keeps food from being recirculated onto your dishware.



In order to provide optimum cleaning performance we suggest a monthly filter maintenance by removing and inspecting both the upper and the lower filter for any soils. Based on your dishwashing habits, cleaning of the filters may be required more or less often than what is indicated in the chart below.

The filters may need to be cleaned when:

- Visible objects or soils are on the Upper Filter Assembly.
- There is degradation in cleaning performance (that is, soils still present on dishes).
- Dishes feel gritty to the touch.

Removing and maintaining the filters is very easy. The chart below shows the recommended cleaning frequency.

Recommended time intervals to clean your filter

Number of Loads Per Week	If you wash before loading	If you scrape and rinse before loading	If you only scrape before loading*	If you do not scrape or rinse before loading
13-14	Once per year	Twice per year	Every two months	Once per week
8-12	Once per year	Every four months	Every two months	Every two weeks
4-7	Once per year	Once per year	Every four months	Once per month
1-3	Once per year	Once per year	Twice per year	Every two months

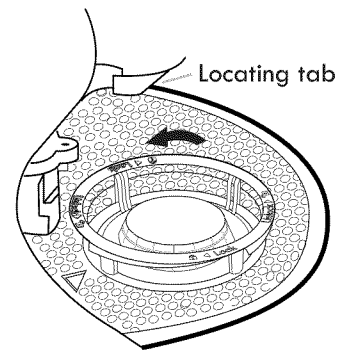
*Manufacturer's recommendation: This practice will eliminate the water and energy that you use preparing your dishes for loading. This will also save you time and effort.

Very Hard Water

If you have hard water (above 15 grains), clean your filter at least once per month. Building up of white residue on your dishwasher indicates hard water. You may bring your water samples to Sears to check hardness level. For tips on removing spots and stains, see "Troubleshooting" section.

Filter Removal

1. Turn the Upper Filter Assembly $\frac{1}{4}$ turn counterclockwise and lift out.
2. Grasp the Lower Filter in the circular opening, lift slightly, and pull forward to remove.
3. Clean the filters as shown below.

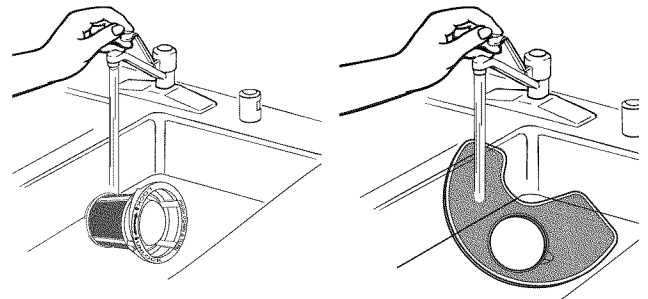


To remove Upper Filter Assembly

Cleaning

IMPORTANT: Do not use wire brush, scouring pad, etc., as they may damage the filters.

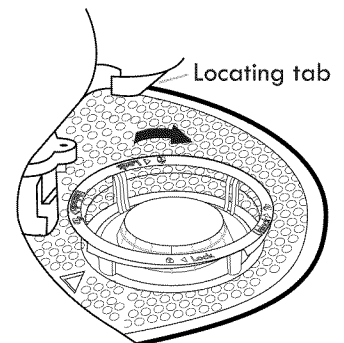
Rinse filter under running water until most soils are removed. If you have hard-to-remove soils or calcium deposits from hard water, a soft brush may be required.



Filter Reinstallation

1. Noting the previous illustrations, place the Lower Filter under the Locating Tabs in the bottom of the dishwasher so the round opening for the Upper Filter Assembly lines up with the round opening in the bottom of the tub.
2. Insert the Upper Filter Assembly into the circular opening in the Lower Filter.
3. Slowly rotate the filter clockwise until it drops into place. Continue to rotate until the filter is locked into place. If the filter is not fully seated (still turns freely), continue to turn the filter clockwise until it drops and locks into place.

NOTE: The Upper Filter Assembly arrow does not have to align with the arrow in the Lower Filter as long as the filter is locked.



To replace Upper Filter Assembly

IMPORTANT: To avoid damage to dishwasher, do not operate your dishwasher without the ULTRA WASH[®]HE filters properly installed. Be sure the Lower Filter is securely in place and the Upper Filter Assembly is locked into place. If the Upper Filter Assembly turns freely, it is not locked into place.

DISHWASHER EFFICIENCY TIPS

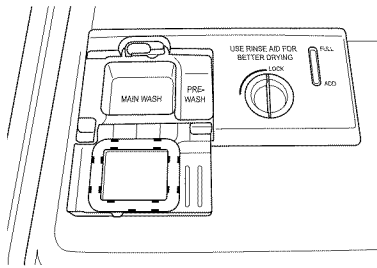
Hot water dissolves and activates the dishwasher detergent. Hot water also dissolves grease on dishes and helps glasses dry spot-free. For best dishwashing results, water should be 120°F (49°C) as it enters the dishwasher. Loads may not wash as well if the water temperature is too low.

Additional efficiency tips

- To save water, energy and time, only scrape dishes. Do not rinse dishes before putting them into the dishwasher.
- Use a delay feature to run your dishwasher during off-peak hours. Local utility providers recommend avoiding heavy usage of energy at certain times of day.
- During the summer, run your dishwasher at night. This reduces daytime heat buildup in the kitchen.
- Use a rinse aid to improve drying.

DETERGENT AND RINSE AID

Detergent



IMPORTANT: Use only automatic dishwashing detergent. Hand dishwashing detergent will produce excessive suds and overflow out of the dishwasher.

Recommended Detergent Amount

Add recommended amount of detergent to each compartment as shown and close the detergent lid.

Powders and Gels

Water Hardness	Soil Level	Pre-Wash Compartment	Main Wash Compartment
Soft (0-4 grains per U.S. gallon)	Light	None	1/2
	Normal	None	1/2
	Heavy	Full	1/2
Medium (5-9 grains per U.S. gallon)	Light	None	1/2
	Normal	1/2	1/2
	Heavy	Full*	Full*
Hard (10-14 grains per U.S. gallon)	Light	1/2	Full*
	Normal	Full*	Full*
	Heavy	Full*	Full*

*Full pre-wash compartment contains 7 tsp (35 mL), and full main wash cup contains 9 tsp (45 mL).

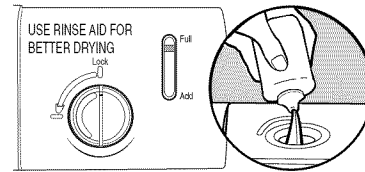
Premeasured Detergents

Many detergents now come in premeasured forms (gel packs, tablets, or powder packs). These forms are suitable for all hardness and soil levels. Always place premeasured detergents in the main compartment and close the lid.

Using dishwasher detergent tablets and packs have been proven better than powder, liquid or gel detergents to reduce filming on your dishes. By using these tablets and packs, over time this will start to reduce or eliminate white film. Also, by using a rinse aid you can minimize repeat buildup of white film.

IMPORTANT: Extremely hard water mineral deposits (15 grains per U.S. gallon or more) can cause damage to your dishwasher and make it difficult to achieve good results. A water softener is recommended to avoid damage and achieve good results. You may bring your water samples to Sears to check hardness level.

Rinse Aid



IMPORTANT: Your dishwasher is designed to use a liquid rinse aid. The use of rinse aids greatly improves drying by allowing water to drain from the dishes after the final rinse. They also keep water from forming droplets that can dry as spots or streaks.

Filling the dispenser

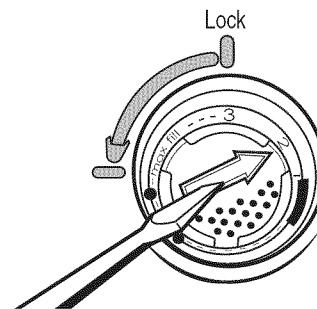
The dispenser holds 5 oz (150 mL) of rinse aid. Under most conditions this will last 1 to 3 months.

1. Turn the knob 1/4 turn counterclockwise and remove.
2. Pour rinse aid into the opening until the indicator points to FULL. Do not overfill.
3. Clean up any spilled rinse aid. Spilled rinse aid can create excessive suds.
4. Replace the knob and turn to the LOCK position.

NOTE: Indicator reads correct fill level when door is completely opened.

Rinse Aid Setting

Your rinse aid dispenser is adjustable. For most water conditions, the factory setting of 2 will give good results. If you have hard water and notice calcium buildup on your dishware, you may want to try a higher setting. If you notice foam in your dishwasher, use a lower setting.



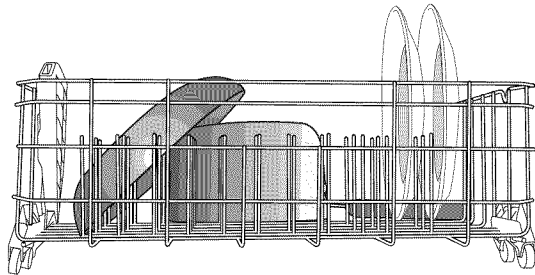
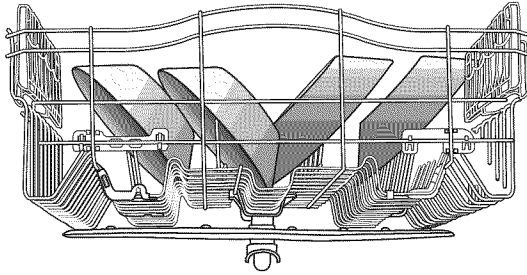
To adjust the setting

1. Turn the knob 1/4 turn counterclockwise and remove.
2. Turn the arrow inside the dispenser to the desired setting.
3. Replace the knob and turn to the LOCK position.

LOADING

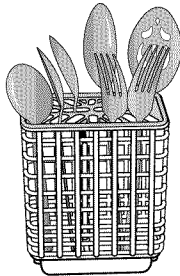
Loading for Best Cleaning and Drying Performance

1. Angle dirtiest dish surfaces downward and allow space for water to flow up through each rack and between dishware.



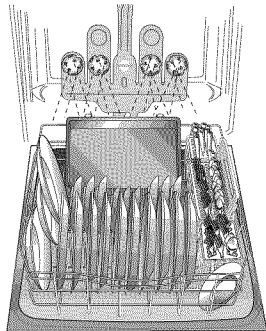
Separating allows water flow.

2. For best silverware cleaning use the slots in the covers to keep items separated.



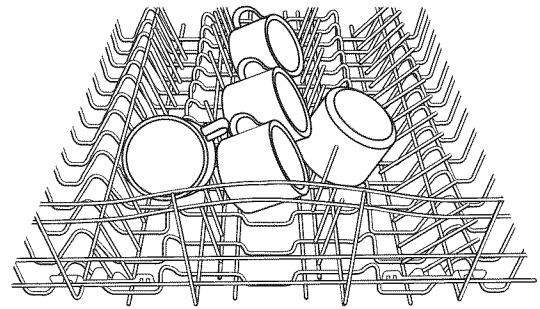
Separated

3. Use TurboZone® (on some models) option with your dirtiest items facing toward the lower back.



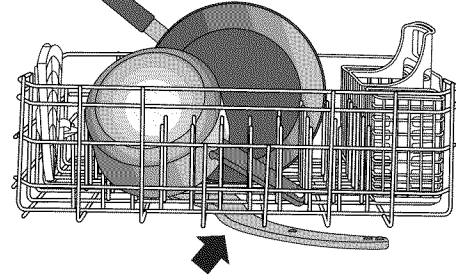
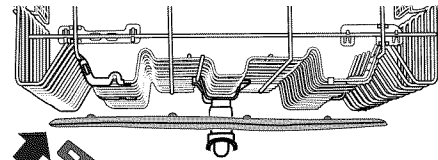
Soil facing TurboZone® spray jets

4. Angle concave surfaces such as the bottom of coffee cups to allow water to drain and improve drying performance.



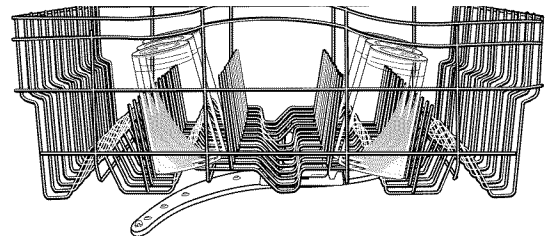
Angled surfaces

5. Check that all spray arms spin freely before every cycle.



Spray arms spin freely.

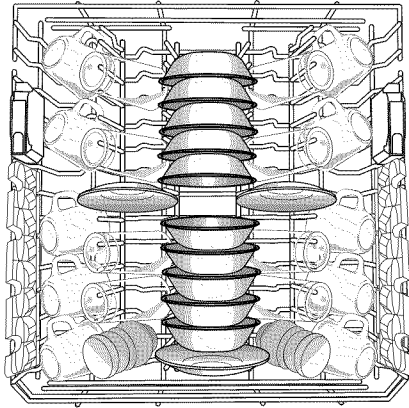
6. Place cups and glasses in the rows between tines.



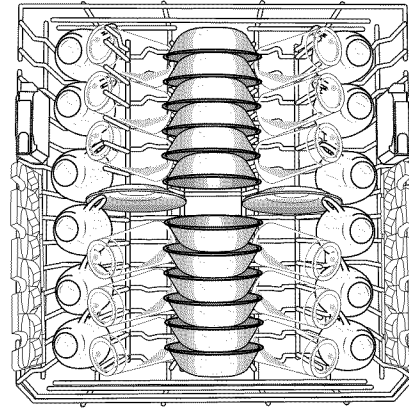
Top Rack Loading

Loading Recommendations

Place cups and glasses in the rows between tines. Placing them over the tines can lead to breakage and water spots. To avoid damage to your delicate items, be sure china, crystal, stemware and other similar items do not touch during dishwasher operation. Load lightweight and dishwasher-safe plastic items only in the top rack.



10 place load

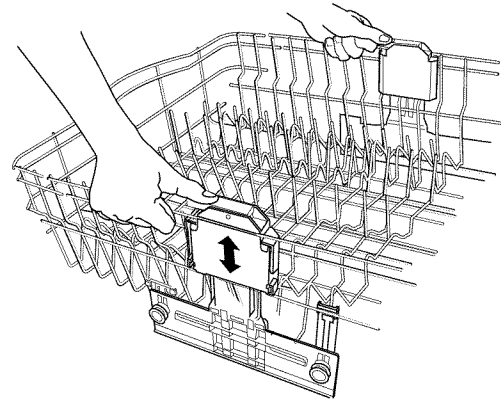


12 place load

Deluxe Adjustable 2-position Rack (on some models)

You can raise or lower the top rack to fit tall items in either the top or bottom rack. Adjusters are located on each side of the top rack. Raise the top rack to accommodate items up to 9" (23 cm) in the top rack and 13" (33 cm) in the bottom rack, or lower the top rack to accommodate items up to 11" (28 cm) in both the top and bottom racks.

1. To raise, lift rack until both sides are at the same height and lock.
2. To lower, depress both tabs on rack adjusters, as shown, and lower.



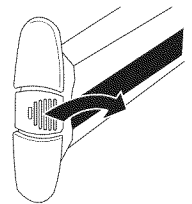
Removable Top Rack

The removable rack allows you to wash larger items such as stock pots, roasters, and cookie sheets in the lower level rack.

IMPORTANT: Remove dishes prior to removing the upper rack from the dishwasher.

To remove the rack (push tab rack stop):

1. Roll the rack $\frac{1}{3}$ to $\frac{1}{2}$ of the way out.
2. Remove each plastic push tab rack stop from the end of each track by pushing inward toward the rack on the ridged area of the rack stop. The rack stop will snap open and can be easily removed by pulling straight out. Be sure to support the track while removing rack stops.
3. Roll the rack all the way out of the track and remove from the dishwasher.



To replace the rack:

Reverse the above steps 1 to 3 to replace the rack into the dishwasher.

Bottom Rack Loading

Loading Recommendations

The bottom rack is best suited for plates, pans, casseroles, and utensils. (See recommended loading patterns shown.)

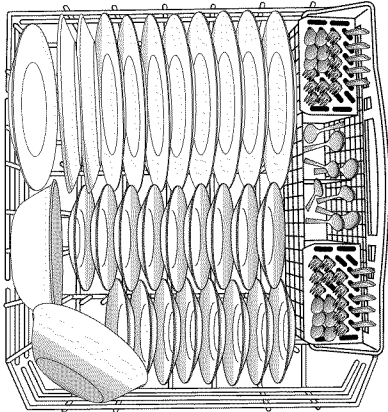
Load small items in the bottom rack only if they are secured in place.

Load plates, soup bowls, etc., between tines.

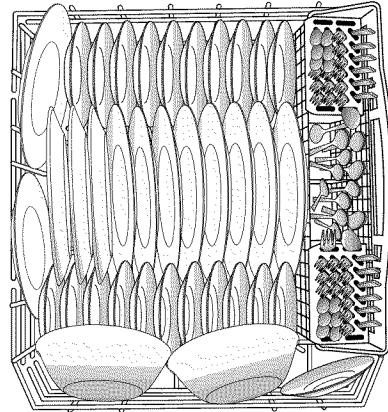
Load bowls securely between the rows of tines. Ensure that there is space between dishes so that the spray will reach all surfaces.

Load heavily soiled items facing the spray.

NOTE: Ensure that detergent dispenser is not blocked by tall items such as cookie sheets and cutting boards placed at the left-hand front of rack. See "Start Up/Quick Reference" section.



10 place load



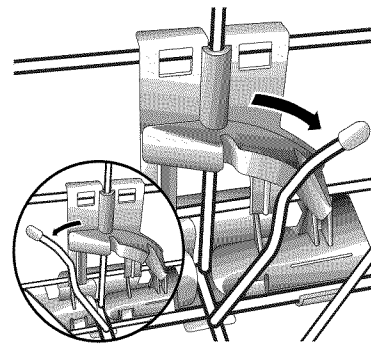
12 place load

Fold-Down Tines (on some models)

You can fold down one row of tines at the back of the bottom rack in order to accommodate larger dishware.

Keep this tine row in the 60° position when using the TurboZone® (on some models) option.

IMPORTANT: When moving tine row to the flat position, fold only the tine row toward the front of the dishwasher.



TurboZone® Loading (on some models)

IMPORTANT: For proper performance, only one row of items may face the TurboZone® spray jets.

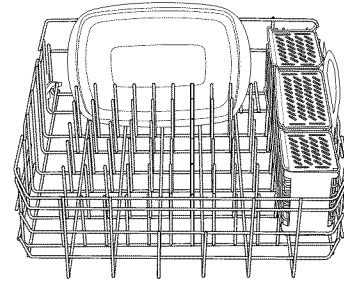
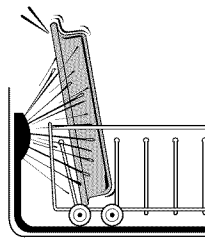
You must select the TurboZone® wash option to utilize this wash feature.

Load pans, casserole dishes, etc., with the soiled surfaces facing the TurboZone® spray jets. TurboZone® wash area is located at the back of the lower dish rack.

Below are the recommended loading when using the TurboZone® option.



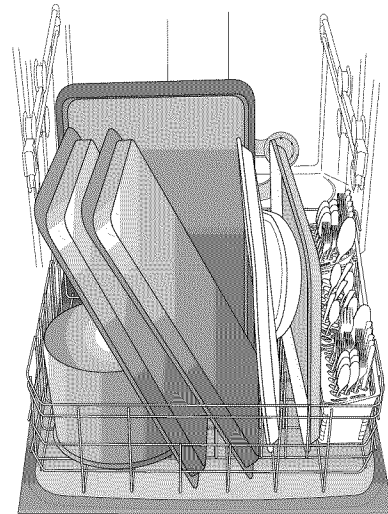
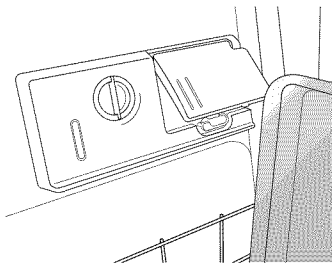
Back of
dishwasher



Loading Tall Items

You can wash larger items such as pots, roasters, and cookie sheets in the bottom rack by removing the top rack. See "Top Rack Loading" section.

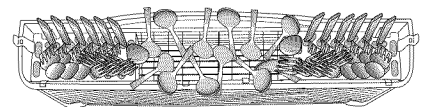
IMPORTANT: Do not block detergent dispenser.



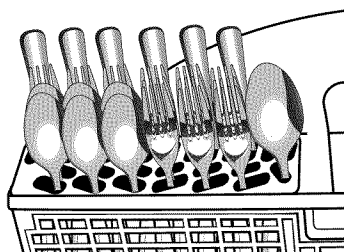
Loading Silverware

Use suggested loading patterns, as shown, to better clean your silverware.

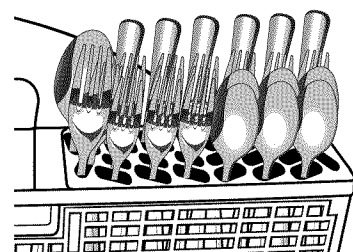
Use the slots in the covers to keep your silverware separated for optimum wash. (See illustration, right.)



NOTE: If your silverware does not fit into the designated slots, flip the covers up and mix silverware types to keep them separated. Load knives down, forks up, and alternate spoons as illustrated, for best cleaning results. Load taller silverware items to the back and shorter to the front of basket.



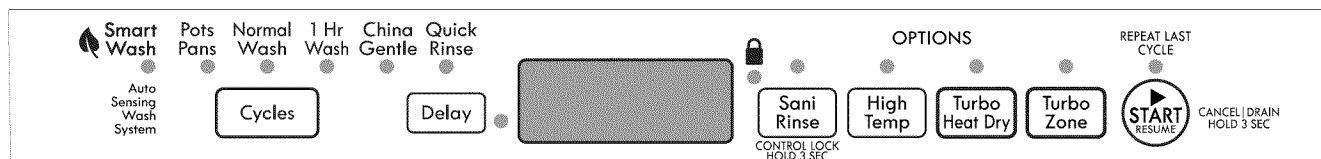
Left-side silverware basket



Right-side silverware basket

DISHWASHER USE

Cycles and Options Information (on some models)



Cycles	Estimated WashTime* Displayed: H:MM	Range of Water Usage Gallons (Liters)
SmartWash[®] HE cycle The most advanced and versatile cycle. This cycle senses the load size, soil amount, and toughness of soil. This cycle is optimized to achieve outstanding cleaning with minimal water and energy.	2:30	3.4 to 7.4 (12.8 to 28.0)
Pots & Pans Works best on your toughest items such as casseroles with baked-on food residue. Use with TurboZone [®] (on some models) option to get the best cleaning of baked-on soils.	3:23	7.4 (28.0)
Normal Wash This cycle with only the Turbo Heat Dry option selected, and without other options selected, is recommended to completely wash a full load of normally soiled dishes. The energy label is based on this cycle and option combination.	2:21	2.4 to 7.4 (9.09 to 28.0)
China Gentle (on some models) Provides a light wash and gentle dry for delicate items such as china and crystal with varying soil levels	2:21	2.4 to 7.4 (9.09 to 28.0)
1 Hour Wash For fast results, the 1 Hour Wash will clean your normally soiled dishes using more water and energy. For improved drying, select the Turbo Heat Dry option.	1:00	7.9 (29.8)
Quick Rinse Use for rinsing dishes, glasses, and silverware that will not be washed right away. Do not use detergent.	0:18	2.0 (7.6)

*Adding options will add time to the cycle. See options information section. This is the approximate cycle time obtained with 120°F (49°C) hot water available at the dishwasher. Increase in time results from low temperature of the incoming water. Cycle times and water usage may increase or decrease depending on water temperature, heavy soil condition, dish load size and options selected.

Options	Can be selected with	What it does	Added time to cycle	Added Water* Gallons (Liters)
TurboZone[®] (on some models) Blasts water into your casserole or other dishes to eliminate the need for soaking and scrubbing of dirty, baked-on food soils. For your toughest items, use TurboZone [®] with the Pots & Pans cycle. See loading information.	SmartWash [®] HE Pots & Pans Normal Wash	Directs all of the cleaning power of the dishwasher to the TurboZone [®] area during certain times in the wash cycle.	0:12 to 0:57	0 - 4.8 (0 - 18.2)
High Temp Raises main wash temperature to improve cleaning for loads containing tough, baked-on food.	SmartWash [®] HE Pots & Pans Normal Wash	Raises the main wash temperature to 135°F (57°C).	0:05 to 0:13	0 - 3.9 (0 - 14.6)

<p>Sani Rinse</p> <p>This high temperature option sanitizes your dishes and glassware in accordance with National Sanitation Foundation (NSF)/ANSI Standard 184 for Residential Dishwashers. Certified residential dishwashers are not intended for licensed food establishments. The word Sanitized will light at the end of the cycle when successfully completed. If Sanitization is not achieved (most often due to cycle interruption) the word Sanitized will flash.</p>	<p>SmartWash^{HE} Pots & Pans Normal Wash</p>	<p>Raises the main wash temperature to 135°F (57°C) and the final rinse temperature to 156°F (69°C).</p>	<p>0:05 to 1:01</p>	<p>0 - 3.9 (0 - 14.6)</p>
<p>Turbo Heat Dry</p> <p>Turns the heat element and fan on after the wash portion of the cycle is over. The fan may remain on after the overall cycle is complete for a period of time or until the door is opened. Use rinse aid with or without the Turbo Heat Dry option for best drying results. Plastic items are less likely to deform when loaded in the top dish rack.</p>	<p>Available with any cycle except Quick Rinse</p>	<p>Turns the heat element and the fan on at the end of the wash portion of the cycle.</p>	<p>0:08 to 0:46</p>	<p>0</p>

*The maximum additional water used for any combination of options is 4.8 gal. (18.2 L).

Dishwasher Control Section

Delay Hours (on some models)

Use this option to run your dishwasher during off-peak hours. Local utility providers recommend using energy during off-peak hours when possible. Delay displays how many hours Before the cycle will begin.

To delay the start

1. Select a wash cycle and options.
2. Press the delay button. Each time you press the DELAY button it will display the next available delay time.

NOTE: The dishwasher remembers the last Delay you selected. To reset the delay time to something other than what is displayed continue to press the Delay button until the desired delay time is reached.

3. Press START/RESUME to begin the delay countdown.

NOTE: Anytime the door is opened (such as, to add a dish), the START/RESUME button must be pressed again to resume the delay countdown.

Control Lock Option

Use the Control Lock option to avoid unintended use of the dishwasher between cycles. When the Lock indicator is lit, all buttons are disabled. The dishwasher door can still be opened or closed while the controls are locked.

To turn on the Lock

Press and hold SANI RINSE for 3 seconds. The Lock indicator will light up. If you press any pad while your dishwasher is locked, the light flashes 3 times.

NOTE: The dishwasher cannot start if the control is locked.

To turn off the Lock

Press and hold SANI RINSE for 3 seconds. The light turns off.

Dishwasher Feedback Section

Status Indicator Lights



The full lit display will glow for wash, drying, sanitized, and complete. It will also display the estimated remaining time for the cycle in hours and minutes.

The indicator light (on some models) is green when running and off when the cycle is complete.

Selecting Cycles and Options

1. Select the desired cycle. If you want to run the last cycle that was completed, you can simply press START once to show which options you used, then press START again to start the cycle.
2. Select the desired options. Not all options are available for every cycle. If an invalid option is selected for a given cycle, the lights will flash.

Turning OFF/ON the Sound

Press and hold HIGH TEMP for 3 seconds to toggle sound ON and OFF. The sound will not be deactivated for cycle interruption.

Canceling A Cycle

1. Open the door slightly to stop the cycle. Wait for the spraying action to stop before completely opening the door.
2. To cancel selections and/or drain press and hold the START/RESUME button for 3 seconds. If you drain the dishwasher by selecting CANCEL/DRAIN the word drain will turn on and the time display will show minutes of drain remaining. The drain will not begin until the door is closed.
3. Close the door within 3 seconds. The dishwasher starts a drain cycle (if water remains in bottom of dishwasher). Let the dishwasher drain completely. The Cancel/Drain light turns off after 2 minutes.

Changing A Cycle After Dishwasher Is Started

You can interrupt a cycle and restart your dishwasher from the beginning using the following procedure.

1. See steps in the previous "Canceling A Cycle" section for canceling the current cycle.
2. Check that detergent dispenser cover is still closed. If cover is open, you will need to refill the detergent dispenser before restarting your new cycle.
3. Select new cycles and options.
4. Press START/RESUME.

WASHING SPECIAL ITEMS

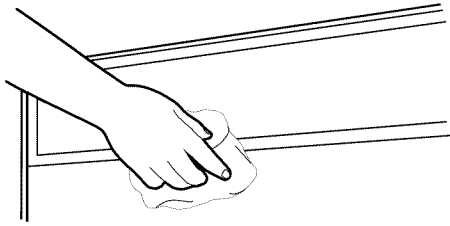
If you have doubts about washing a particular item, check with the manufacturer to see if it is dishwasher safe.

Material	Dishwasher Safe?	Comments
Aluminum	Yes	High water temperature and detergents can affect finish of anodized aluminum.
Disposable Aluminum	No	Do not wash disposable aluminum pans in the dishwasher. These might shift during washing and transfer black marks to dishes and other items.
Bottles and Cans	No	Wash bottles and cans by hand. Labels attached with glue can loosen and clog the wash system and reduce washing performance.
Cast Iron	No	Seasoning will be removed and then cast iron will rust.
China/Stoneware	Yes	Always check manufacturer's recommendations before washing. Antique, hand-painted, or over-the-glaze patterns may fade. Gold leaf can discolor or fade.
Crystal	Yes	Always check manufacturer's recommendations before washing. Some types of leaded crystal can etch with repeated washing.
Gold	No	Gold-colored flatware will discolor.
Glass	Yes	Milk glass material yellows with repeated dishwasher washing.
Hollow-Handle Knives	No	Handles of some knives are attached to the blade with adhesives which can loosen if washed in the dishwasher.
Pewter, Brass, Bronze, and Copper	No	High water temperatures and detergent can discolor or pit the finish.
Disposable Plastics	No	Cannot withstand high water temperatures and detergents.
Plastics	Yes	Always check manufacturer's recommendations before washing. Plastic items may vary in their ability to withstand high temperatures and detergents. It is recommended that lightweight items such as lids and butter dishes be placed in the upper rack only. Sturdy items such as coolers and high-chair trays may be placed in the lower rack. When washing plastic items in the lower rack, it is recommended not to use the Heated Dry or Turbo Heat Dry option (depending on your model).
Stainless Steel	Yes	Run a rinse cycle if not washing immediately. Prolonged contact with food containing salt, vinegar, milk products, or fruit juice can damage finish.
Sterling Silver or Silver Plate	Yes	Run a rinse cycle if not washing immediately. Prolonged contact with food containing salt, acid, or sulfide (eggs, mayonnaise, and seafood) can damage finish.
Tin	No	Not recommended.
Wooden Ware	No	Wash by hand. Always check manufacturer's instructions before washing. Untreated wood can warp, crack, or lose its finish.
Large Casserole Dish	Yes	There may be certain casserole dishes that may not fit in front of the TurboZone® (on some models) feature in the back of the lower dish rack. Adjust the tines as necessary to load the large dishes.

DISHWASHER CARE

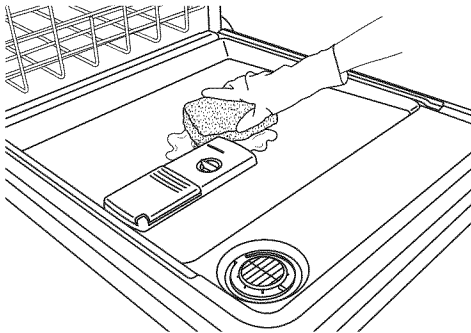
Cleaning

Cleaning the exterior



In most cases, regular use of a soft, damp cloth or sponge and a mild detergent is all that is necessary to keep the outside of your dishwasher looking nice and clean. If your dishwasher has a stainless steel exterior, a stainless steel cleaner is recommended.

Cleaning the interior



Hard water minerals can cause a white film to build up on the inside surfaces, especially just beneath the door area.

Do not clean the dishwasher interior until it has cooled. You may want to wear rubber gloves. Do not use any type of cleanser other than dishwasher detergent because it may cause foaming or sudsing.

To clean interior

Make a paste with powdered dishwasher detergent on a damp sponge and clean.

OR

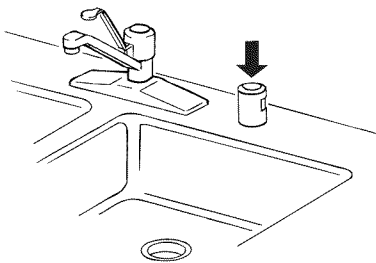
Use liquid automatic dishwasher detergent and clean with a damp sponge.

OR

See the vinegar rinse procedure in “Cloudy or spotted dishware” in “Troubleshooting” section.

NOTE: Run a normal cycle with dishwasher detergent after cleaning the interior.

Drain Air Gap



Some state or local plumbing codes require the addition of a drain air gap between a built-in dishwasher and the home drain system. Check the drain air gap when your dishwasher is not draining well.

The drain air gap is usually located on top of the sink or countertop near the dishwasher. To order a drain air gap, please call **1-800-4-MY-HOME®**. Ask for Part Number 300096.

NOTE: The drain air gap is an external plumbing device that is not part of your dishwasher. The warranty provided with your dishwasher does not cover service costs directly associated with the cleaning or repair of the external drain air gap.

To clean the drain air gap

Clean the drain air gap periodically to ensure proper drainage of your dishwasher. With most types, you lift off the chrome cover. Unscrew the plastic cap. Then check for any soil buildup. Clean if necessary.

Vacation or Extended Time Without Use

To reduce the risk of property damage

- If you will not be using the dishwasher during the summer months, turn off the water and power supply to the dishwasher.
 - Make sure the water supply lines are protected against freezing conditions. Ice formations in the supply lines can increase water pressure and damage your dishwasher or home. Damage from freezing is not covered by the warranty.
 - When storing your dishwasher in the winter, avoid water damage by having your dishwasher winterized by authorized service personnel.
-

TROUBLESHOOTING

CHECK THESE POINTS TO HELP SAVE YOU TIME AND MONEY.

PROBLEM	SOLUTION
DISHWASHER DOES NOT RUN	<p>NOTE: It is normal for the dishwasher to repeatedly pause several times during a cycle.</p> <p>If the Start/Resume light is blinking, close the door and press START/RESUME or press START/RESUME and close the door within 3 seconds.</p> <p>Be sure the door is closed and latched.</p> <p>Check that there is not an interference with large casserole dishes and the wash system at the back of the dishwasher. Adjust loading as necessary to ensure door is closed and latched.</p> <p>Be sure the Control/Lock feature is not on. (Control/Lock indicator will be lit.)</p> <p>Be sure you have selected a cycle. (See “Cycles and Options Information.”)</p> <p>Be sure there is power to the dishwasher. A circuit breaker or fuse may have tripped.</p> <p>If lights other than Start/Resume blink and the unit will not run, you will need to call for service.</p>
DETERGENT REMAINS IN THE DISPENSER OR TABLET IS ON BOTTOM OF TUB	<p>Check for dishware such as cookie sheets, cutting boards, or large containers, etc., that may be blocking the detergent dispenser from opening properly.</p> <p>Be sure your detergent is fresh and lump free.</p> <p>Be sure the cycle has completed. The Complete indicator will be on in the display, and the front status light (on some models) will be off. If it has not completed, you will need to resume the cycle. Close the door and press START/RESUME or press START/RESUME and close the door within 3 seconds.</p>
CYCLE RUNS TOO LONG	<p>NOTES:</p> <ul style="list-style-type: none">■ To use less water and reduce energy consumption you will encounter cycles that typically run for up to 3 hours. To wash dishes with less water the dishwasher must run longer. The dishwasher uses less energy to run than your water heater does to heat the water that the dishwasher is using.■ A water heater setting of 120°F (49°C) is best. The dishwasher will delay longer while heating cooler water.■ Some options will add time to the cycle. (See “Cycles and Options Information” section.) <p>Try the 1 Hour Wash cycle. The 1 Hour Wash uses more energy and water to clean the dishes in less time.</p> <p>Run the hot water at a faucet close to the dishwasher before selecting and starting the cycle.</p>
DISHWASHER NOT DRYING	<p>NOTE: Plastic and items with nonstick surfaces are difficult to dry because they have a porous surface which tends to collect water droplets. Towel drying may be necessary.</p> <p>Use of rinse aid along with the Turbo Heat Dry option is needed for proper drying.</p> <p>Proper loading of items can affect drying. (See specific loading instructions within this guide.)</p> <p>Glasses and cups with concave bottoms hold water. This water may spill onto other items when unloading.</p> <ul style="list-style-type: none">■ Unload the bottom rack first.■ Locate these items on the more slanted side of the rack for improved results.
WILL NOT FILL	<p>Be sure the water is turned on to the dishwasher.</p> <p>Check that the float is free from obstructions. (See “Parts and Features.”)</p> <p>Check for suds in the dishwasher. If foam or suds are detected, the dishwasher may not operate properly or may not fill with water.</p>

PROBLEM	SOLUTION
WATER REMAINS IN THE TUB/ WILL NOT DRAIN	<p>Be sure the cycle has completed. The Complete indicator will be turned on in the display, and the front status light (on some models) will be off. If it has not completed, you will need to resume the cycle by closing the door and pressing START/RESUME or press START/RESUME and close the door within 3 seconds.</p> <p>If dishwasher is connected to a food waste disposer, be sure the knockout plug has been removed from the disposer inlet.</p> <p>Check for kinks in the drain hose.</p> <p>Check for food obstructions in the drain or disposer.</p> <p>Check your house fuse or circuit breaker.</p> <p>Remove and clean the ULTRA WASH® filters and check for any food buildup underneath.</p>
HARD WATER (WHITE RESIDUE ON DISHWASHER INTERIOR OR GLASSWARE)	<p>NOTE: Extremely hard water mineral deposits can cause damage to your dishwasher and make it difficult to achieve good cleaning. You may bring water samples to Sears to check your water hardness level. A water softener is strongly recommended if your hardness is 15 grains or more. If a water softener is not installed, the following steps may help:</p> <p>Use a commercial cleaner designed for dishwashers once per month.</p> <p>Clean the ULTRA WASH®^{HE} filters at least once per month.</p> <p>Always use a rinse aid.</p> <p>Always use fresh high quality tablets or packs of detergent for improved performance.</p> <p>Use a detergent booster/water softener additive designed for dishwashers.</p>
ODORS	<p>NOTE: If the dishwasher is not used daily, you can run a rinse cycle with a partial load until a full load is ready to run.</p> <p>Run a vinegar rinse through the dishwasher by putting 2 cups (500 mL) of white vinegar in an upright glass measuring cup in the lower rack. Run a Normal Wash cycle with the Turbo Heat Dry option turned OFF. Do not use detergent.</p> <p>The dishwasher may not be draining properly. See “WATER REMAINS IN THE TUB/WILL NOT DRAIN” in “Troubleshooting.”</p>
NOISY	<p>NOTES:</p> <ul style="list-style-type: none"> ■ Surging sounds can occur periodically throughout the cycle while the dishwasher is draining. ■ Normal water valve hissing may be heard periodically. ■ A normal snap sound may be heard when the detergent dispenser opens during the cycle and when the door is opened at the end of the cycle. ■ Improper installation will affect noise levels. <p>Be sure the filters are properly installed.</p> <p>If items extend beyond the racks and interfere with the wash arms, a thumping sound might be heard.</p>
FOOD SOILS REMAIN ON DISHES	<p>Be sure the dishwasher is loaded correctly. Improper loading can greatly decrease the washing performance. See “Loading for Best Cleaning and Drying Performance”.</p> <p>Check filter to ensure it is properly installed. Clean it if needed. (See “Cleaning Instructions” in “ULTRA WASH®^{HE} Filtration System” for details.)</p> <p>Select the proper cycle and option for the type of soils. The Pots & Pans cycle with the TurboZone® (on some models) option can be used for tougher loads.</p> <p>Be sure the incoming water temperature is at least 120°F (49°C).</p> <p>Use the proper amount of fresh detergent. More detergent is needed for heavier-soiled loads and hard water conditions.</p> <p>Scrape food from dishes prior to loading (do not prerinse).</p>
DID NOT SANITIZE	<p>If Sanitized is blinking, the load is <i>NOT</i> sanitized. The cycle was interrupted in the final rinse, or your water heater is set too low. Set your water heater to 120°F (49°C).</p>
DAMAGE TO DISHWARE	<p>Improper loading can cause dishes to become chipped or damaged. (See specific loading instructions within this guide.)</p>

PROBLEM	SOLUTION
BLINKING LIGHTS	If Start/Resume or any status lights are blinking and the dishwasher will not run, close the door and push START/RESUME or press START/RESUME and close the door within 3 seconds. If the dishwasher still will not run, call service.
CLOUDY OR SPOTTED DISHWARE (AND HARD WATER SOLUTION)	<p>NOTES:</p> <ul style="list-style-type: none"> ■ Liquid rinse aid, in addition to all-in-one tablets or packs, is necessary for drying and to reduce spotting. ■ Use the correct amount of detergent. <p>Confirm that the cloudiness is removable by soaking the item in white vinegar for 5 minutes. If the cloudiness disappears, it was due to hard water. Adjust the amount of detergent and rinse aid. See “HARD WATER (WHITE RESIDUE ON DISHWASHER INTERIOR OR GLASSWARE)” in “Troubleshooting.” If it does not come clear, it is due to etching (see below).</p> <p>Be sure the incoming water temperature is set at 120°F (49°C).</p> <p>Try using the High Temp and Sani Rinse options.</p> <p>To remove spotting, run a vinegar rinse through the dishwasher.</p> <ul style="list-style-type: none"> ■ Wash and rinse the affected dishware and load into dishwasher. Remove all silverware and metal items. Put 2 cups (500 mL) of white vinegar into a glass measuring cup in the lower rack. Run a Normal Wash cycle with the Turbo Heated Dry option turned OFF. No detergent is needed.
ETCHING (PERMANENT CLOUDINESS)	This is an erosion of the surface of the glassware and can be caused by a combination of: water that is too hot, from using too much detergent with soft water, or by pre-washing. Detergent needs food soil to act upon. If etching has occurred, the glassware is permanently damaged. To avoid further etching, adjust the detergent amount to match the water hardness, stop pre-washing, and use water heating options only when incoming water temperature is below 120°F (49°C).
LEAKING WATER	<p>Be sure dishwasher has been installed properly and is level.</p> <p>Suds can cause the dishwasher to overflow. Measure the detergent accurately and use only detergents designed for use in a dishwasher. Less detergent is needed in soft water. Try another brand of detergent if sudsing continues.</p> <p>To avoid rinse aid leaking from the dispenser, be sure the lid is securely attached and avoid overfilling.</p>
TUB IS DISCOLORED	<p>NOTES:</p> <ul style="list-style-type: none"> ■ High iron content in the water can discolor the tub. ■ Tomato-based foods can discolor the tub or dishware. ■ A citrus-based cleaner can be used to clean the tub.

NOTES

ÍNDICE

CONTRATOS DE PROTECCIÓN.....	24	Cómo cargar la canasta superior.....	35
GARANTÍA.....	25	Cómo cargar la canasta inferior.....	36
SEGURIDAD DE LA LAVAVAJILLAS.....	26	USO DE LA LAVAVAJILLAS.....	38
PIEZAS Y CARACTERÍSTICAS.....	28	Información acerca de los ciclos y las opciones.....	38
PUESTA EN MARCHA/REFERENCIA RÁPIDA (VARÍA SEGÚN EL MODELO).....	29	Sección de control de la lavavajillas.....	39
SISTEMA DE FILTRACIÓN ULTRA WASH®.....	30	Sección de información provista por la lavavajillas.....	40
CONSEJOS PARA LA EFICIENCIA DE LA LAVAVAJILLAS.....	32	Cómo cancelar un ciclo.....	40
DETERGENTE Y AGENTE DE ENJUAGUE.....	32	Cómo cambiar un ciclo después de iniciar la lavavajillas.....	40
Detergente.....	32	CÓMO LAVAR ARTÍCULOS ESPECIALES.....	41
Agente de enjuague.....	33	CUIDADO DE LA LAVAVAJILLAS.....	42
CÓMO CARGAR.....	34	Limpieza.....	42
Cómo cargar para un mejor desempeño en el lavado y el secado.....	34	Purga de aire del desagüe.....	42
		Vacaciones o tiempo prolongado sin uso.....	43
		SOLUCIÓN DE PROBLEMAS.....	43
		NÚMEROS DE SERVICIO.....	CONTRAPORTADA

CONTRATOS DE PROTECCIÓN

Contratos maestros de protección

¡Felicitaciones por su inteligente adquisición! Su nuevo producto Kenmore® está diseñado y fabricado para proporcionarle años de funcionamiento confiable. Pero al igual que todos los productos, puede necesitar mantenimiento preventivo o reparación de vez en cuando. Es allí donde el Contrato maestro de protección puede ahorrarle dinero e inconvenientes.

El Contrato maestro de protección también ayuda a prolongar la vida de su nuevo producto. He aquí lo que se incluye en el Contrato*:

- ✓ **Piezas y mano de obra** necesarias para ayudar a mantener los productos funcionando correctamente **bajo uso normal**, no sólo en caso de defectos. Nuestra cobertura va **mucho más allá de la garantía del producto**. No existen deducibles ni fallas de funcionamiento que estén excluidas de la cobertura — **protección verdadera**.
- ✓ **Servicio experto** a cargo de un personal de más de 10.000 **técnicos de servicio autorizados por Sears**, lo que significa que su producto será reparado por alguien en quien usted puede confiar.
- ✓ **Llamadas de servicio ilimitado y servicio en todo el país**, con la frecuencia que usted desee, cuando usted desee.
- ✓ **Garantía “sin disgustos”** – reemplazo de su producto protegido si ocurren cuatro fallas o más del producto en el transcurso de doce meses.
- ✓ **Reemplazo del producto** si su producto protegido no puede ser reparado.
- ✓ **Revisión anual de mantenimiento preventivo** a solicitud suya – sin costo adicional.
- ✓ **Ayuda rápida por teléfono** – lo que nosotros llamamos **Solución rápida** – apoyo por teléfono a cargo de un representante de Sears para todos los productos. Piense en nosotros como si fuéramos un “manual parlante para el propietario”.

- ✓ **Protección de sobrevoltaje** contra daños eléctricos debido a fluctuaciones de electricidad.
- ✓ **Protección por pérdida de comida, por un valor anual de \$250**, por cualquier pérdida de comida que sea como resultado de fallas mecánicas de cualquier refrigerador o congelador cubierto bajo la garantía.
- ✓ **Reembolso de la renta** si la reparación de su producto protegido tarda más de lo prometido.
- ✓ **25% de descuento** sobre el precio común por el servicio de reparación que no esté bajo protección, así como las piezas relacionadas con el mismo que se hayan instalado.

Una vez adquirido el Contrato, tan sólo tiene que llamar para fijar la visita de servicio técnico. Usted puede llamar a cualquier hora, de día o de noche, o fijar una visita técnica en Internet.

El Contrato maestro de protección es una compra sin riesgo. Si por algún motivo usted lo cancela durante el período de la garantía del producto, le proveeremos un reembolso total. O un reembolso proporcional en cualquier momento posterior a la expiración del período de la garantía. ¡Adquiera hoy su Contrato maestro de protección!

Se aplican algunas limitaciones y exclusiones. Para obtener precios e información adicional en EE.UU., llame al 1-800-827-6655.

***La cobertura en Canadá varía en algunos artículos. Para obtener los detalles completos, llame a Sears Canada al 1-800-361-6665.**

Servicio de instalación de Sears

Para la instalación profesional de Sears de aparatos electrodomésticos, abridores de puertas de garaje, calentadores de agua y otros artículos principales del hogar, en los EE.UU. o en Canadá llame al **1-800-4-MY-HOME®**.

GARANTÍA DE LOS ELECTRODOMÉSTICOS KENMORE

GARANTÍA LIMITADA DE UN AÑO

Cuando este electrodoméstico haya sido instalado, operado y mantenido según las instrucciones provistas, si este electrodoméstico falla por defectos de material o de mano de obra dentro de un año a partir de la fecha de compra, llame al 1-800-4-MY-HOME® (1-800-469-4663) para gestionar la reparación libre de cargo.

Si este electrodoméstico es empleado para algún otro uso que no sea el doméstico familiar, esta garantía sólo tiene vigencia por 90 días a partir de la fecha de compra.

Esta garantía cubre solamente los defectos de material y mano de obra. Sears NO pagará por lo siguiente:

1. Los artículos no reutilizables que pueden gastarse por el uso normal, incluyendo, pero sin limitación, filtros, correas, focos incandescentes y bolsas.
2. Un técnico de servicio para enseñarle al usuario cómo instalar, operar o mantener el producto adecuadamente.
3. Un técnico de servicio para limpiar o mantener este producto.
4. Daños a este producto o fallas del mismo en caso de no ser instalado, operado o mantenido conforme a todas las instrucciones provistas con el producto.
5. Daños a este producto o fallas del mismo como resultado de accidente, abuso, uso indebido o un uso diferente de aquel para el cual fue creado.
6. Daños a este producto o fallas del mismo causados por el uso de detergentes, limpiadores, productos químicos o utensilios diferentes de los recomendados en todas las instrucciones provistas con el producto.
7. Daños a piezas o sistemas o fallas de los mismos como resultado de modificaciones no autorizadas que se hayan efectuado en este producto.

Exclusión de garantías implícitas; limitación de recursos

El único y exclusivo recurso del cliente según los términos de esta garantía limitada será el de reparar el producto según se estipula en la presente. Las garantías implícitas, incluyendo las garantías de comerciabilidad o de capacidad para un propósito particular, serán limitadas a un año o al período más corto permitido por ley. Sears no se hará responsable por daños incidentales o consecuentes. Algunos estados y provincias no permiten la exclusión o limitación de daños incidentales o consecuentes, o limitaciones acerca de cuánto debe durar una garantía implícita de comerciabilidad o capacidad, de modo que las limitaciones o exclusiones arriba mencionadas pueden no aplicarse en su caso.

Esta garantía se aplica sólo mientras este electrodoméstico se usa en los Estados Unidos o Canadá*.

Esta garantía le otorga derechos legales específicos, y es posible que usted tenga también otros derechos, los cuales varían de un estado a otro.

*En Canadá, el servicio de reparación a domicilio no está disponible para todas las áreas y esta garantía no cubrirá los gastos de transporte o traslado del usuario o técnico de servicio si el producto se encuentra ubicado en un lugar remoto (de acuerdo con la definición de Sears Canada Inc.) donde no haya un técnico de servicio autorizado.

**Sears Brands Management Corporation
Hoffman Estates, IL 60179**

**Sears Canada Inc.
Toronto, Ontario, Canada M5B 2C3**

SEGURIDAD DE LA LAVAVAJILLAS

Su seguridad y la seguridad de los demás es muy importante.

Hemos incluido muchos mensajes importantes de seguridad en este manual y en su electrodoméstico. Lea y obedezca siempre todos los mensajes de seguridad.



Este es el símbolo de advertencia de seguridad.

Este símbolo le llama la atención sobre peligros potenciales que pueden ocasionar la muerte o una lesión a usted y a los demás.

Todos los mensajes de seguridad irán a continuación del símbolo de advertencia de seguridad y de la palabra "PELIGRO" o "ADVERTENCIA". Estas palabras significan:

! PELIGRO

Si no sigue las instrucciones de inmediato, usted puede morir o sufrir una lesión grave.

! ADVERTENCIA

Si no sigue las instrucciones, usted puede morir o sufrir una lesión grave.

Todos los mensajes de seguridad le dirán el peligro potencial, le dirán cómo reducir las posibilidades de sufrir una lesión y lo que puede suceder si no se siguen las instrucciones.

INSTRUCCIONES IMPORTANTES DE SEGURIDAD

ADVERTENCIA: Cuando use la lavavajillas siga precauciones básicas, incluyendo las siguientes:

- Lea todas las instrucciones antes de usar la lavavajillas.
- Use la lavavajillas únicamente para las funciones que fue diseñada.
- Use únicamente detergentes o agentes de enjuague recomendados para ser usados en las lavavajillas y manténgalos fuera del alcance de los niños.
- Al introducir los artículos para lavar:
 - 1) Coloque los artículos puntiagudos de manera que no dañen el sello de la puerta
 - 2) Introduzca los cuchillos filosos con los mangos hacia arriba para reducir el riesgo de cortaduras.
- No lave artículos de plástico que no lleven la indicación "lavables en la lavavajillas" u otra similar. Lea las recomendaciones del fabricante para los artículos de plástico que no lleven tal indicación.
- No toque el elemento de calefacción durante o inmediatamente después de usar la lavavajillas.
- No haga funcionar la lavavajillas a menos que todos los paneles estén colocados debidamente en su lugar.
- No juegue con los controles.
- No abuse, ni se siente ni se pare sobre la puerta, la tapa o sobre las canastas de la lavavajillas.
- Para reducir el riesgo de lesión, no permita que los niños jueguen dentro ni sobre la lavavajillas.
- Bajo ciertas condiciones, un sistema de agua caliente que no ha sido usado por dos semanas o más puede producir gas hidrógeno. **EL GAS HIDRÓGENO ES EXPLOSIVO.** Si el sistema de agua caliente no ha sido usado por ese período, abra todas las llaves de agua caliente y deje que corra el agua por varios minutos antes de usar la lavavajillas. Esto permitirá que los gases acumulados escape. Debido a que el gas es inflamable, no fume ni encienda ninguna llama cerca de la llave durante este tiempo.
- Quite la puerta o la tapa del compartimento de lavado cuando remueva o deje de usar para siempre una vieja lavavajillas.

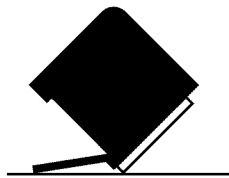
GUARDE ESTAS INSTRUCCIONES

Advertencias de la Proposición 65 del estado de California:

ADVERTENCIA: Este producto contiene una o más sustancias químicas identificadas por el estado de California como causantes de cáncer.

ADVERTENCIA: Este producto contiene una o más sustancias químicas identificadas por el estado de California como causantes de defectos congénitos o algún otro tipo de daños en la función reproductora.

⚠ ADVERTENCIA



Peligro de Vuelco

No use la lavavajillas antes de estar completamente instalada.

No se apoye en la puerta abierta.

No seguir estas instrucciones puede ocasionar heridas serias o cortaduras.

⚠ ADVERTENCIA



Peligro de Choque Eléctrico

Conecte a tierra la lavavajillas.

Conecte el alambre de conexión a tierra al conector verde de conexión a tierra en la caja de terminales.

No use un cable eléctrico de extensión.

No seguir estas instrucciones puede ocasionar la muerte, incendio o choque eléctrico.

- Instale su lavavajillas en un lugar protegido de las inclemencias del tiempo. Evite una posible ruptura de la válvula de llenado debida al congelamiento. Dichas rupturas no están cubiertas por la garantía. Vea la sección "Vacaciones o tiempo prolongado sin uso".
- Instale y nivele la lavavajillas en un piso que pueda soportar su peso y en un área adecuada para su tamaño y uso.
- Retire todos los tapones de las mangueras y los conectores (como la tapa en la salida de desagüe) antes de instalarla. Vea la información completa en las Instrucciones de instalación.

INSTRUCCIONES DE CONEXIÓN A TIERRA

■ Para una lavavajillas con cable eléctrico y conexión a tierra:

La lavavajillas debe estar conectada a tierra. En caso de funcionamiento defectuoso o avería, la conexión a tierra reduce el riesgo de choque eléctrico al establecer una ruta de menor resistencia para la corriente eléctrica. La lavavajillas viene equipada con un cable eléctrico que tiene un conductor para conexión a tierra y un enchufe con conexión a tierra. El enchufe debe ser conectado a un contacto apropiado que esté instalado y conectado a tierra de acuerdo con todos los códigos y ordenanzas locales.

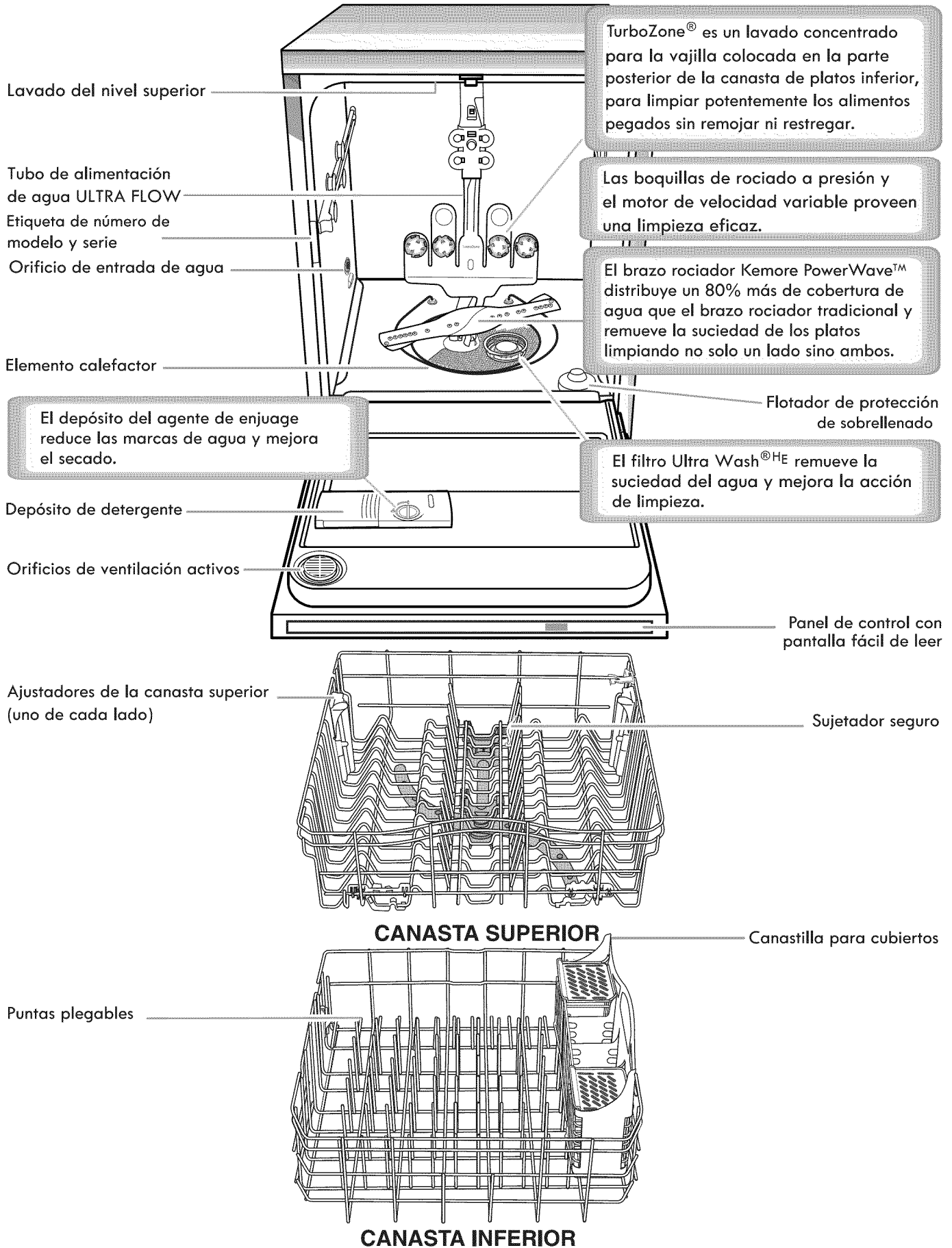
ADVERTENCIA: La conexión inadecuada del conductor de conexión a tierra puede resultar en riesgo de choque eléctrico. Pregunte a un electricista calificado o a un agente de servicio si no está seguro si la lavavajillas está adecuadamente conectada a tierra. No modifique el enchufe que viene con la lavavajillas. Si no cabe en el contacto, pida que un electricista calificado instale un contacto apropiado.

■ Para lavavajillas con conexión permanente:

Esta lavavajillas debe estar conectada a un sistema de cableado de metal permanente, conectado a tierra, o se debe tender un conductor para la conexión a tierra del equipo con los conductores de circuito y conectado a la terminal de tierra del equipo o al conductor de suministro de la lavavajillas.

GUARDE ESTAS INSTRUCCIONES

PIEZAS Y CARACTERÍSTICAS

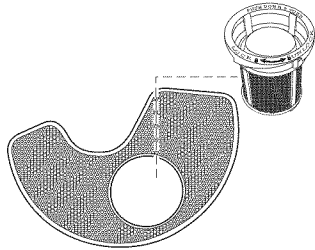


PUESTA EN MARCHA/REFERENCIA RÁPIDA (VARÍA SEGÚN EL MODELO)

Los filtros desmontables ULTRA WASH^{® HE} proporcionan un rendimiento óptimo.

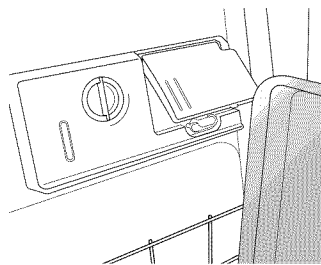
El limpiar los filtros periódicamente permite que la lavavajillas funcione con un rendimiento óptimo. Los filtros se encuentran en la parte central inferior de la lavavajillas.

Vea "SISTEMA DE FILTRACIÓN ULTRA WASH^{® HE}" para obtener información acerca de la remoción y el mantenimiento de los filtros.



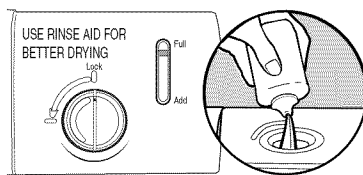
IMPORTANTE: No bloquee el depósito del detergente.

Los artículos altos pueden bloquear la puerta del depósito si los coloca en la canasta inferior. Los moldes para galletas y las tablas para cortar pueden bloquear fácilmente el depósito si los coloca en la parte izquierda de la lavavajillas. Si después de finalizado un ciclo hay detergente dentro del depósito o en el fondo de la tina, el depósito quedó bloqueado.



Secado - el agente de enjuague es fundamental.

Deberá usar un agente de secado, como puede ser un agente de enjuague, para un buen rendimiento de secado (se incluye una muestra). El agente de enjuague junto con la opción de Turbo Heat Dry (Secado con calor turbo) le proporcionarán el mejor secado y evitarán que se forme humedad excesiva en el interior de la lavavajillas.



1 Hour Wash (Lavado de 1 hora) – cuando necesita resultados rápidos.

Las lavavajillas de alto rendimiento funcionan por más tiempo para ahorrar agua y energía, de la misma manera que se ahorra gasolina cuando se conduce un automóvil despacio. Cuando necesite resultados rápidos, el Lavado de 1 hora limpiará su vajilla usando un poco más de agua y energía. Para mejorar el secado, seleccione la opción de Turbo Heat Dry (Secado con calor turbo) para agregar más tiempo al secado.



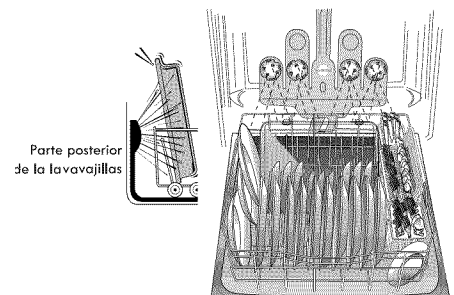
Ciclo SmartWash^{® HE}

El ciclo SmartWash^{® HE} provee resultados óptimos usando sólo la cantidad de agua y energía necesaria. Se recomiendan los ciclos de SmartWash^{® HE} y Pots & Pans (Ollas y cacerolas) para la suciedad rebelde.



Cómo cargar en TurboZone[®] (en algunos modelos)

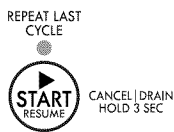
Cuando se selecciona la opción TurboZone[®], se proporciona un lavado concentrado hacia la parte posterior de la canasta inferior para la vajilla que sea difícil de lavar. Coloque estos platos con la superficie sucia hacia las boquillas de rociado TurboZone[®], que están en la canasta inferior de la lavavajillas.



Presione **START** (Inicio) cada vez que agregue un plato.

Para comenzar y reanudar un ciclo, presione **START** (Inicio) y cierre la puerta en menos de 3 segundos. Si la puerta no se ha cerrado en menos de 3 segundos, el LED del botón de inicio destellará y el ciclo no comenzará.

IMPORTANTE: Si alguien abre la puerta (como puede ser para agregar un plato – aún durante la opción de Delay Hours – Horas de retraso), deberá presionarse el botón de **START** (Inicio) cada vez y cerrar la puerta en menos de 3 segundos para reanudar el ciclo.



Dosificación del detergente

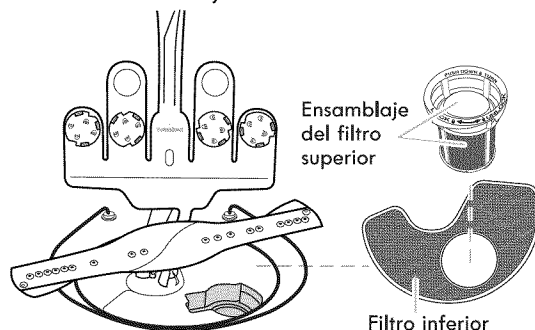
Es posible usar demasiado detergente en su lavavajillas. Esto puede ocasionar corrosión en los platos. Vea “Detergente y agente de enjuague” para determinar la cantidad de detergente necesario según la dureza del agua. Está comprobado que las pastillas y los paquetes de detergente para lavavajillas son más eficaces que los detergentes en polvo, líquidos o en gel, para reducir las películas de residuos en la vajilla.

SISTEMA DE FILTRACIÓN ULTRA WASH® HE

Su lavavajillas cuenta con la última tecnología de filtración para lavavajillas. El sistema de filtración triple minimiza los sonidos y optimiza el consumo de agua y energía mientras proporciona una limpieza superior. Durante la vida útil de su lavavajillas, el filtro necesitará mantenimiento para conservar el rendimiento óptimo de limpieza.

El sistema de filtración triple consta de 2 piezas, un ensamblaje de filtro superior y un filtro inferior.

- El ensamblaje de filtro superior mantiene los artículos muy grandes y los objetos extraños, junto con las partículas muy pequeñas de comida, fuera de la bomba.
- El filtro inferior evita que la comida recircule sobre la vajilla.



Para proveer un desempeño óptimo de limpieza, sugerimos un mantenimiento mensual del filtro, removiendo e inspeccionando los filtros superior e inferior para ver si están sucios. Según sus hábitos con la lavavajillas, deberá limpiar los filtros con más o menos frecuencia que lo indicado en la tabla a continuación.

Es posible que sea necesario limpiar los filtros cuando:

- Haya objetos visibles o suciedad en el ensamblaje del filtro superior.
- Baje la calidad del rendimiento de limpieza (es decir, que los platos sigan sucios).
- Los platos se sientan arenosos al tacto.

Es muy fácil quitar y mantener los filtros. La tabla siguiente muestra la frecuencia recomendada de limpieza.

Intervalos recomendados para la limpieza del filtro.

Cantidad de cargas por semana	Si lava antes de cargar	Si raspa la comida y enjuaga antes de cargar	Si solamente raspa la comida antes de cargar*	Si no raspa la comida ni enjuaga antes de cargar
13-14	Una vez por año	Dos veces por año	Cada dos meses	Una vez por semana
8-12	Una vez por año	Cada cuatro meses	Cada dos meses	Cada dos semanas
4-7	Una vez por año	Una vez por año	Cada cuatro meses	Una vez por mes
1-3	Una vez por año	Una vez por año	Dos veces por año	Cada dos meses

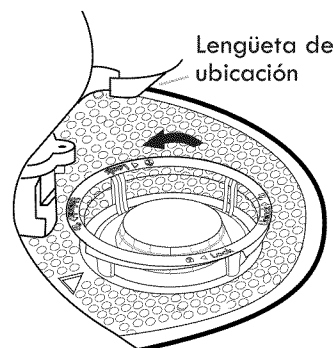
*Recomendación del fabricante: Esta práctica eliminará el agua y la energía que usted usa para preparar la vajilla. También le permitirá ahorrar tiempo y esfuerzo.

Agua muy dura

Si tiene agua muy dura (más de 15 granos), limpie el filtro al menos una vez por mes. La acumulación de residuos blancos en su lavavajillas indica que el agua es dura. Puede traer sus muestras de agua a Sears para verificar el nivel de dureza. Vea la sección "Solución de problemas" para consultar los consejos para quitar las manchas.

Instrucciones para quitar los filtros

1. Gire el ensamblaje del filtro superior $\frac{1}{4}$ de vuelta hacia la izquierda, levante y sáquelo.
2. Agarre el filtro inferior en la abertura circular, levante levemente y jale hacia adelante para quitarlo.
3. Limpie los filtros como se muestra debajo.

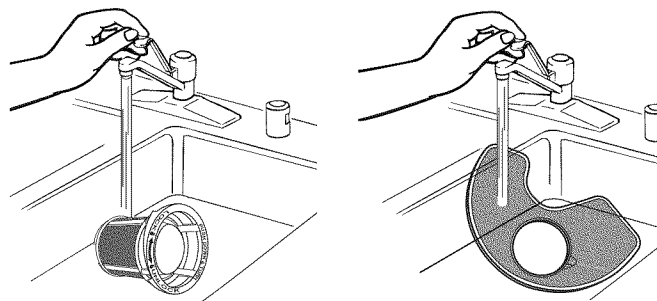


Para quitar el ensamblaje del filtro superior

Instrucciones de limpieza

IMPORTANTE: No use un cepillo de alambre, estropajo, etc., ya que pueden dañar los filtros.

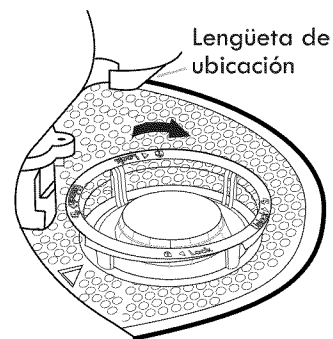
Enjuague el filtro debajo del agua corriente hasta haber quitado la mayor parte de la suciedad. En caso de suciedad difícil de sacar o de depósitos de calcio a causa del agua dura, es posible que deba usar un cepillo suave.



Instrucciones para reinstalar los filtros

1. Consulte las ilustraciones anteriores y coloque el filtro inferior debajo de las lengüetas de ubicación en el fondo de la lavavajillas, para que la abertura redonda para el ensamblaje del filtro superior esté alineada con la abertura redonda en el fondo de la tina.
2. Inserte el ensamblaje del filtro superior dentro de la abertura circular en el filtro inferior.
3. Rote lentamente el filtro hacia la derecha hasta que caiga en su lugar. Continúe rotando hasta que el filtro quede trabado en su lugar. Si el filtro no encaja completamente (sigue girando libremente), continúe girando el filtro hacia la derecha hasta que caiga y quede trabado en su lugar.

NOTA: No es necesario que la flecha del ensamblaje del filtro superior esté alineada con la flecha en el filtro inferior, siempre y cuando el filtro quede trabado.



Para volver a colocar el ensamblaje del filtro superior

IMPORTANTE: Para evitar dañar la lavavajillas, no la ponga en marcha sin que los filtros ULTRA WASH[®]HE estén adecuadamente instalados. Asegúrese de que el filtro inferior esté seguro en su lugar y que el ensamblaje del filtro superior esté trabado en su lugar. Si el ensamblaje del filtro superior gira libremente, no está trabado en su lugar.

CONSEJOS PARA LA EFICIENCIA DE LA LAVAVAJILLAS

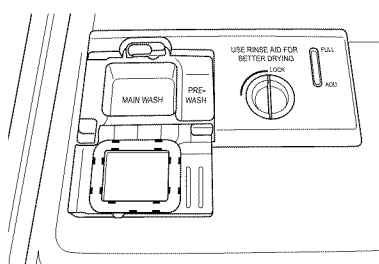
El agua caliente disuelve y activa el detergente para lavavajillas. El agua caliente también disuelve la grasa que se encuentra en los platos y ayuda a secar los vasos sin manchas. Para obtener los mejores resultados, el agua debe estar a 120°F (49°C) cuando entra en la lavavajillas. Si la temperatura del agua está muy baja, los platos podrían quedar menos limpios.

Consejos de eficiencia adicionales

- Para ahorrar agua, energía y tiempo, solamente raspe la comida de los platos. No enjuague los platos antes de ponerlos en la lavavajillas.
- Use una función de retraso para poner la lavavajillas en funcionamiento en horas no pico. Las empresas proveedoras de servicios públicos locales recomiendan que se evite un alto consumo de energía a determinadas horas del día.
- Durante el verano, ponga su lavavajillas en funcionamiento en la noche. Esto reduce la acumulación de calor durante el día en la cocina.
- Use un agente de enjuague para mejorar el secado.

DETERGENTE Y AGENTE DE ENJUAGUE

Detergente



IMPORTANTE: Use únicamente detergentes para lavavajillas automáticas. El detergente para lavar los platos a mano producirá espuma en exceso y ésta se desbordará fuera de la lavavajillas.

Cantidad recomendada de detergente

Agregue la cantidad recomendada de detergente en cada compartimiento, como se muestra, y cierre la tapa del detergente.

Polvos y geles

Dureza del agua	Nivel de suciedad	Compartimiento de prelavado	Compartimiento de lavado principal
Suave(Soft) (0 a 4 granos por galón de EE.UU.)	Ligero (Light)	Vacío	1/2
	Normal	Vacío	1/2
	Intenso (Heavy)	Lleno	1/2
Media(Medium) (5 a 9 granos por galón de EE.UU.)	Ligero (Light)	Vacío	1/2
	Normal	1/2	1/2
	Intenso (Heavy)	Lleno*	Lleno*
Dura(Hard) (10 a 14 granos por galón de EE.UU.)	Ligero (Light)	1/2	Lleno*
	Normal	Lleno*	Lleno*
	Intenso (Heavy)	Lleno*	Lleno*

*El compartimiento lleno para el prelavado contiene 7 cdtas (35 mL) y el compartimiento lleno para el lavado principal contiene 9 cdtas (45 mL).

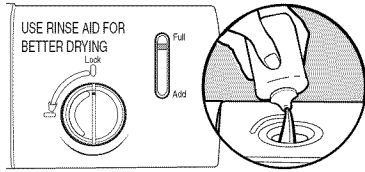
Detergentes previamente medidos

Varios detergentes vienen ahora en formatos previamente medidos (paquetes con gel, tabletas o paquetes con polvo). Estos formatos son apropiados para todos los niveles de dureza y suciedad. Coloque siempre los detergentes previamente medidos en el compartimiento principal y cierre la tapa.

Está comprobado que las pastillas y los paquetes de detergente para lavavajillas son más eficaces que los detergentes en polvo, líquidos o en gel, para reducir las películas de residuos en la vajilla. Al usar estas pastillas y paquetes, con el tiempo, las películas blancas comenzarán a reducirse o a eliminarse. Por otro lado, al usar un agente de enjuague puede minimizar la acumulación de películas blancas.

IMPORTANTE: Los residuos minerales del agua extremadamente dura (15 granos por galón de EE.UU. o más) pueden dañar su lavavajillas y hacer difícil que se obtengan buenos resultados. Se recomienda usar un ablandador de agua para evitar daños y obtener buenos resultados. Puede traer sus muestras de agua a Sears para verificar el nivel de dureza.

Agente de enjuague



IMPORTANTE: Su lavavajillas está diseñada para usar un agente de enjuague líquido. El uso de agentes de enjuague mejora en gran medida el secado, al permitir que el agua se escurra de la vajilla después del último enjuague. También evita que el agua forme gotitas que al secarse quedan como manchas o rayas.

Llenado del depósito

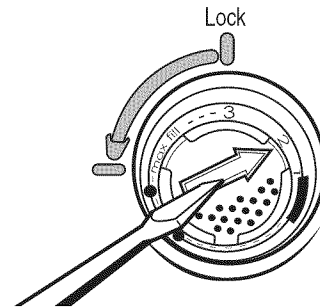
El depósito tiene capacidad para 5 onzas (150 mL) de agente de enjuague. En condiciones usuales, esta cantidad durará de uno a tres meses.

1. Gire la perilla 1/4 de vuelta hacia la izquierda y retírela.
2. Vierta el agente de enjuague en la abertura hasta que el indicador esté en FULL (Lleno). No sobrellene.
3. Limpie todo el agente de enjuague derramado. El agente de enjuague que se derrama puede crear espuma en exceso.
4. Vuelva a colocar la perilla y gírela hacia la posición de LOCK (Bloqueo).

NOTA: El indicador mostrará el nivel de llenado correcto cuando se abra completamente la puerta.

Ajuste de nivel del agente de enjuague

El depósito del agente de enjuague es regulable. Para casi todos los tipos de agua, la selección de fábrica de 2 dará buenos resultados. Si usted tiene agua dura y nota que se acumula calcio en la vajilla, tal vez desee probar con un ajuste más alto. Si nota espuma en la lavavajillas, use un ajuste más bajo.



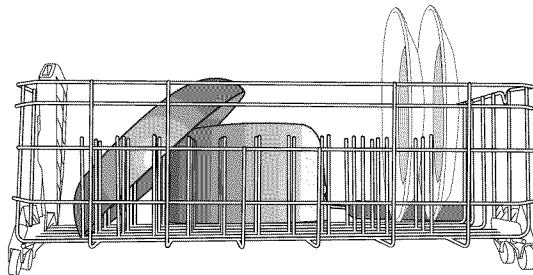
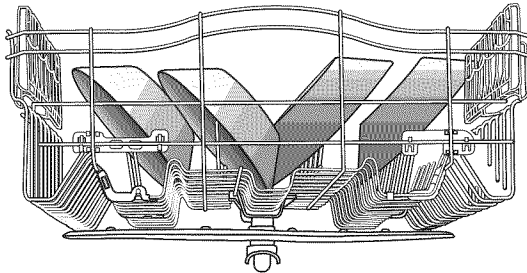
Para regular el ajuste

1. Gire la perilla 1/4 de vuelta hacia la izquierda y retírela.
2. Gire la flecha que se encuentra dentro del depósito hacia el ajuste deseado.
3. Vuelva a colocar la perilla y gírela hacia la posición de LOCK (Bloqueo).

CÓMO CARGAR

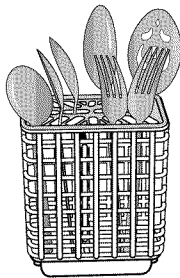
Cómo cargar para un mejor desempeño en el lavado y el secado

1. Coloque en ángulo y mirando hacia abajo las superficies más sucias de la vajilla y deje espacio para que el agua fluya hacia arriba, a través de cada canasta y entre la vajilla.



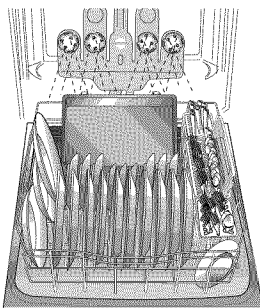
Al separar la vajilla, se permite el flujo de agua.

2. Para una mejor limpieza de los cubiertos, use las ranuras que están en las tapas, de modo que los artículos se mantengan separados.



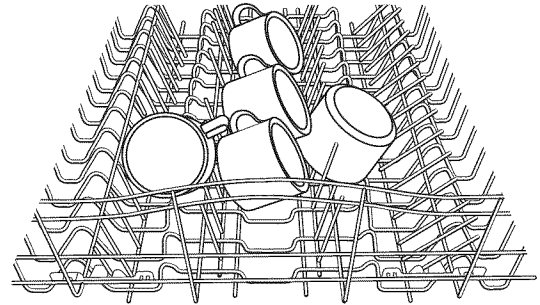
Separados

3. Use la opción de TurboZone® (en algunos modelos) colocando sus artículos más sucios mirando hacia la parte posterior inferior.



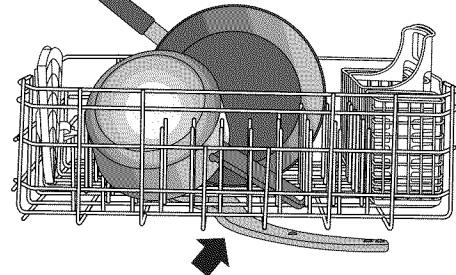
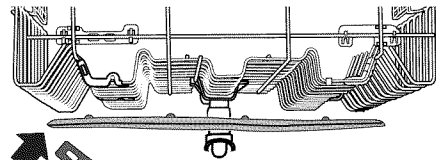
Artículos sucios mirando hacia los surtidores de rociado TurboZone®

4. Coloque en ángulo las superficies cóncavas, tales como la base de las tazas de café, para permitir que el agua se drene y así mejorar el rendimiento del secado.



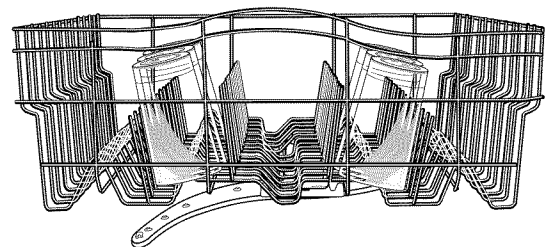
Superficies en ángulo

5. Antes de cada ciclo, verifique que todos los brazos rociadores giren libremente.



Los brazos rociadores giran libremente.

6. Coloque las tazas y vasos en las hileras entre las puntas.

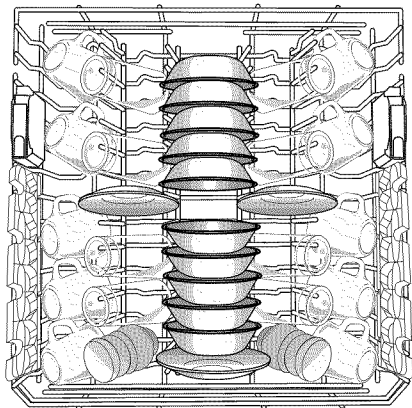


Cómo cargar la canasta superior

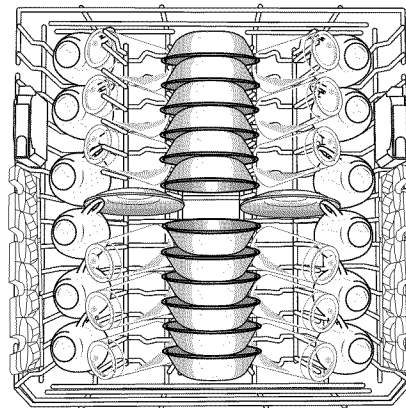
Recomendaciones para cargar

Coloque las tazas y los vasos en las hileras entre las puntas. Si los coloca sobre las puntas pueden romperse o terminar con manchas de agua. Para evitar que se dañen sus artículos delicados, asegúrese de que la porcelana, cristalería y otros objetos similares no se toquen durante el funcionamiento de la lavavajillas.

Coloque los objetos livianos y de plástico aptos para lavavajillas sólo en la canasta superior.



Carga para 10 puestos

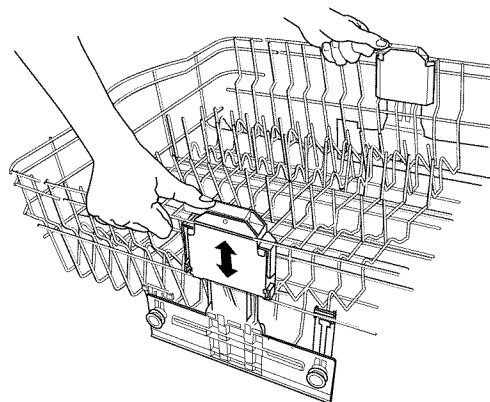


Carga para 12 puestos

Canasta ajustable de lujo de 2 posiciones (en algunos modelos)

Usted puede subir o bajar la canasta superior para acomodar artículos más altos tanto en la canasta superior como en la inferior. Los ajustadores se encuentran a cada lado de la canasta superior. Levante la canasta superior para acomodar artículos de hasta 9" (22 cm) en la canasta superior y de hasta 13" (33 cm) en la canasta inferior; o baje la canasta superior para acomodar artículos de hasta 11" (28 cm) de altura en ambas canastas.

1. Para levantar, suba la canasta hasta que ambos lados estén a la misma altura y traben.
2. Para bajar, presione ambas lengüetas en los ajustadores de la canasta, tal como se muestra, y baje.



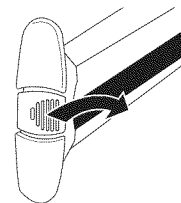
Canasta superior removible

La canasta removible le permite lavar objetos más grandes tales como ollas grandes, charolas para asar y moldes para galletas en la canasta del nivel inferior.

IMPORTANTE: Quite los platos antes de quitar la canasta superior de la lavavajillas.

Para quitar la canasta (tope de la lengüeta de empuje de la canasta):

1. Deslice la canasta $\frac{1}{3}$ a $\frac{1}{2}$ de la distancia hacia afuera.
2. Saque cada tope de plástico de la lengüeta de empuje de la canasta del extremo de cada riel, empujando hacia adentro, hacia la canasta, sobre el área con protuberancia del tope de la canasta. El tope de la canasta se abrirá y se podrá quitar con facilidad, jalándolo directamente hacia afuera. Asegúrese de sostener el riel mientras saca los toques de la canasta.
3. Deslice la canasta por completo hacia fuera del riel y sáquela de la lavavajillas.



Para volver a colocar la canasta:

Invierta los pasos 1 al 3 para volver a colocar la canasta dentro de la lavavajillas.

Cómo cargar la canasta inferior

Recomendaciones para cargar

La canasta inferior es más apropiada para platos, ollas, fuentes y utensilios. (Vea los siguientes modelos recomendados de carga.)

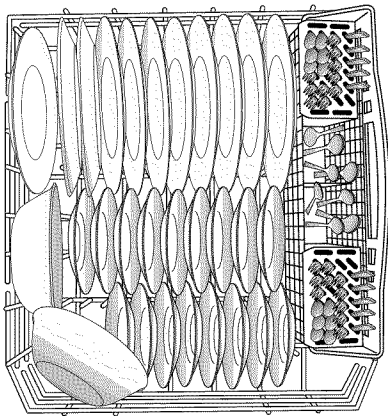
Coloque los artículos pequeños en la canasta inferior únicamente si están seguros en su lugar.

Coloque los platos, tazones de sopa, etc., entre las puntas.

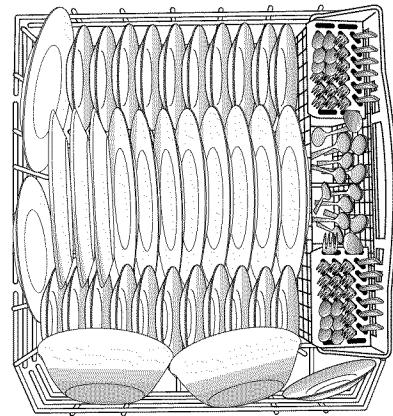
Coloque los tazones firmemente entre las hileras de puntas. Asegúrese de que hay suficiente espacio entre los platos para que el rociador pueda alcanzar todas las superficies.

Cargue los artículos con suciedad profunda mirando hacia el rociador.

NOTA: Asegúrese de que el depósito de detergente no esté bloqueado por artículos altos, tales como charolas para galletas y tablas para cortar colocadas en el lado izquierdo del frente de la canasta. Vea la sección "Puesta en marcha/Referencia rápida".



Carga para 10 puestos



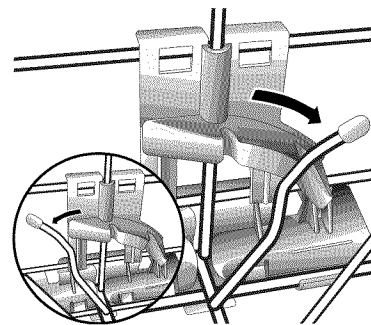
Carga para 12 puestos

Puntas plegables (en algunos modelos)

Usted puede plegar una hilera de puntas en la parte posterior de la canasta inferior para hacer lugar para la vajilla más grande.

Mantenga esta hilera de puntas en la posición de 60° cuando use la opción TurboZone® (en algunos modelos).

IMPORTANTE: Cuando mueva la hilera de puntas hacia la posición horizontal, pliegue solamente la hilera de puntas hacia el frente de la lavavajillas.



Cómo cargar en TurboZone® (en algunos modelos)

IMPORTANTE: Para un funcionamiento adecuado, solamente una hilera de artículos puede mirar hacia los surtidores de rociado TurboZone®.

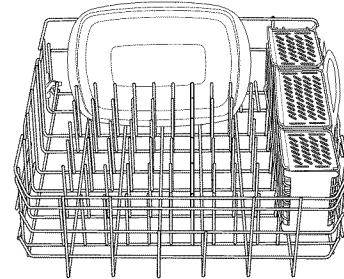
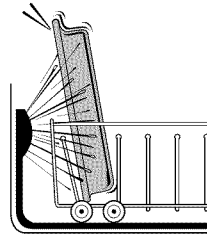
Usted deberá seleccionar la opción de lavado TurboZone® para utilizar esta característica de lavado.

Cargue las sartenes, cacerolas, etc., con las superficies sucias mirando hacia los surtidores de rociado TurboZone®. El área de lavado TurboZone® está ubicada en la parte posterior de la canasta de platos inferior.

A continuación se muestran las cargas recomendadas cuando se use la opción TurboZone®.



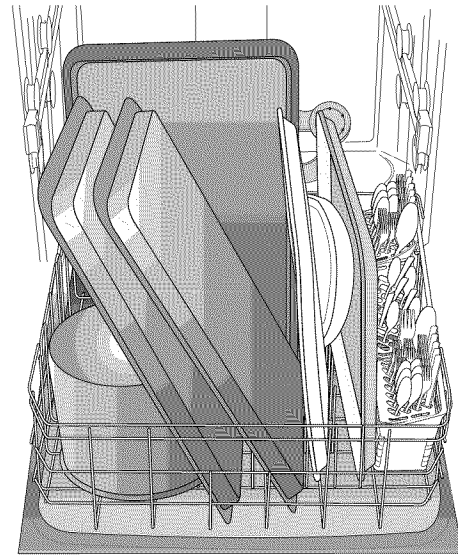
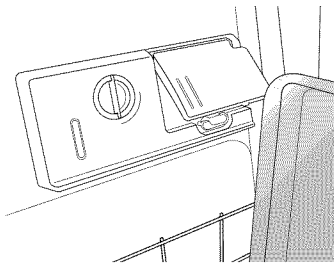
Parte posterior
de la lavavajillas



Cómo cargar los artículos altos

Usted puede lavar artículos más grandes, tales como ollas, asadores y charolas para galletas, en la canasta inferior, sacando la canasta superior. Vea la sección “Cómo cargar la canasta superior”.

IMPORTANTE: No bloquee el depósito del detergente.

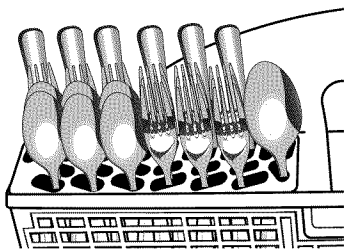
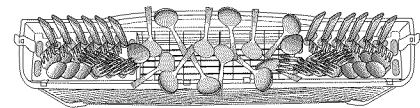


Cómo cargar los cubiertos

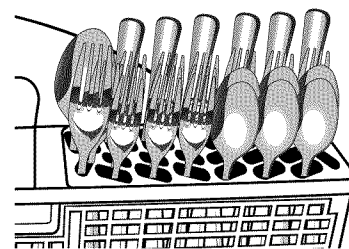
Siga los modelos de carga sugeridos, según se muestra, para limpiar mejor los cubiertos.

Para un óptimo lavado, use las ranuras que están en las tapas para mantener los cubiertos separados. (Vea la ilustración a la derecha.)

NOTA: Si los cubiertos no caben en las ranuras designadas, levante las tapas y mezcle los tipos de cubiertos para mantenerlos separados. Coloque los cuchillos hacia abajo, los tenedores hacia arriba y alterne las cucharas, como se ilustra, para obtener mejores resultados en la limpieza. Cargue los cubiertos más largos en la parte posterior y los más cortos en la parte frontal de la canastilla.



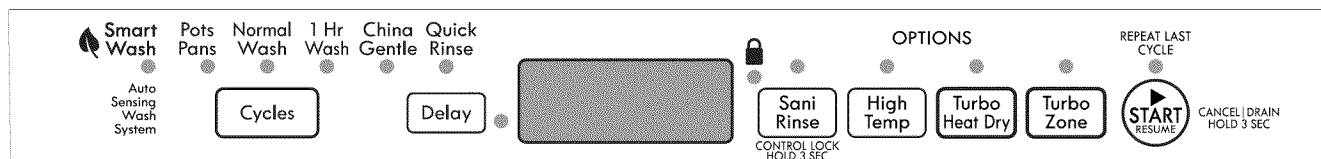
Canastilla para cubiertos, lado izquierdo



Canastilla para cubiertos, lado derecho

USO DE LA LAVAVAJILLAS

Información acerca de los ciclos y las opciones (en algunos modelos)



Ciclos	Tiempo de lavado estimado* que se muestra (H:MM)	Uso de agua en galones (litros)
Ciclo SmartWash®^{HE} El ciclo más avanzado y versátil. Este ciclo detecta el tamaño de la carga, la cantidad de suciedad y su resistencia. Este ciclo ha sido optimizado para lograr una limpieza excepcional con una mínima cantidad de agua y un mínimo consumo de energía.	2:30	3,4 a 7,4 (12,8 a 28,0)
Pots & Pans (Ollas y cacerolas) Funciona mejor con los artículos más difíciles, como cacerolas con restos de alimentos endurecidos a causa del horneado. Úselo con la opción TurboZone® (en algunos modelos) para obtener el mejor resultado en la limpieza de la suciedad ocasionada por el horneado.	3:23	7,4 (28,0)
Normal Wash (Lavado normal) Se recomienda este ciclo solamente con la opción de Turbo Heat Dry (Secado con calor turbo) seleccionada, y sin otras opciones seleccionadas, para lavar por completo una carga llena de vajilla con suciedad normal. La etiqueta de energía está basada en este ciclo y combinación de opciones.	2:21	2,4 a 7,4 (9,09 a 28,0)
China Gentle (Porcelana, artículos delicados) (en algunos modelos) Proporciona un lavado ligero y un secado suave para los artículos delicados como pueden ser la porcelana y el cristal con diferentes niveles de suciedad.	2:21	2,4 a 7,4 (9,09 a 28,0)
1 Hour Wash (Lavado de 1 hora) Cuando necesite resultados rápidos, el Lavado de 1 hora limpiará su vajilla usando un poco más de agua y energía. Para un mejor secado, seleccione la opción Turbo Heat Dry (Secado con calor turbo).	1:00	7,9 (29,8)
Quick Rinse (Enjuague rápido) Use este ciclo para enjuagar platos, vasos y cubiertos que no vayan a lavarse de inmediato. No use detergente.	0:18	2,0 (7,6)

*El agregar opciones aumentará el tiempo del ciclo. Vea la sección de información sobre las opciones. Este es el tiempo aproximado del ciclo que se obtiene con agua caliente a 120°F (49°C) entrando en la lavavajillas. La baja temperatura del agua entrante genera un aumento del tiempo. Los tiempos de ciclos y el uso del agua pueden incrementarse o reducirse según la temperatura del agua, la condición de suciedad profunda, el tamaño de la carga de vajilla y las opciones seleccionadas.

Opciones	Puede seleccionarse con	Lo que hace	Tiempo adicional del ciclo	Agua adicional* en galones (litros)
Opción TurboZone® Emite chorros en las cacerolas u otro tipo de vajilla para eliminar la necesidad de remojar y refregar los platos sucios y con comida endurecida a causa del horneado. Para sus artículos más difíciles, use la opción TurboZone® con el ciclo Pots & Pans (Ollas y cacerolas). Vea la información sobre cómo cargar.	SmartWash® ^{HE} Pots & Pans (Ollas y cacerolas) Normal Wash (Lavado normal)	Concentra todo el poder de lavado de la lavavajillas en el área de TurboZone® durante ciertos momentos del ciclo de lavado.	0:12 a 0:57	0 a 4,8 (0 a 18,2)

Opciones	Puede seleccionarse con	Lo que hace	Tiempo adicional del ciclo	Agua adicional* en galones (litros)
High Temp (Temperatura alta) Eleva la temperatura del lavado principal para mejorar la limpieza en las cargas que contienen suciedad rebelde de los alimentos a causa del horneado.	SmartWash^{®HE} Pots & Pans (Ollas y cacerolas) Normal Wash (Lavado normal)	Aumenta la temperatura del lavado principal a 135°F (57°C).	0:05 a 0:13	0 a 3,9 (0 a 14,6)
Sani Rinse (Enjuague sanitario) Esta opción de alta temperatura higieniza sus platos y su cristalería según el Estándar 184 de la Fundación Nacional de la Salubridad (NSF)/ANSI para lavavajillas domésticas. Las lavavajillas domésticas certificadas no han sido diseñadas para los establecimientos con licencia para alimentos. La palabra Sanitized (Higienizado) se iluminará al final del ciclo cuando este se haya completado con éxito. Si no se logró el higienizado (la mayoría de las veces debido a una interrupción del ciclo), la palabra Sanitized (Higienizado) destellará.	SmartWash^{®HE} Pots & Pans (Ollas y cacerolas) Normal Wash (Lavado normal)	Aumenta la temperatura del lavado principal a 135°F (57°C) y la del enjuague a 156°F (69°C).	0:05 a 1:01	0 a 3,9 (0 a 14,6)
Turbo Heat Dry (Secado con calor turbo) Enciende el elemento calentador después que se termina el ciclo de lavado. El ventilador puede seguir funcionando después de haberse completado todo el ciclo durante un tiempo o hasta que se abra la puerta. Use un agente de enjuague con o sin la opción de Turbo Heat Dry (Secado con calor turbo) para obtener los mejores resultados de secado. Es menos probable que los artículos de plástico se deformen cuando los carga en la canasta de platos superior.	Disponible con cualquier ciclo excepto Quick Rinse (Enjuague rápido)	Enciende el elemento calentador y el ventilador al final del ciclo de lavado.	0:08 a 0:46	0

*La cantidad máxima de agua adicional que se utiliza para cualquier combinación de opciones es 4,8 gal (18.2 L).

Sección de control de la lavavajillas

Delay Hours (Horas de retraso) (en algunos modelos)

Use esta opción para poner la lavavajillas en funcionamiento durante las horas de menos consumo de energía. Las empresas proveedoras de servicios públicos locales recomiendan consumir energía durante las horas de menos consumo de energía siempre que sea posible. El retraso muestra cuántas horas faltan antes de que comience el ciclo.

Para retrasar el inicio

1. Seleccione un ciclo y opciones de lavado.
2. Presione el botón de retraso. Cada vez que presione el botón DELAY (Retraso) se mostrará el próximo tiempo de retraso disponible.

NOTA: La lavavajillas recuerda el último Delay (Retraso) que usted seleccionó. Para seleccionar un tiempo de retraso diferente del que se muestra, continúe presionando el botón Delay (Retraso) hasta llegar al tiempo de retraso deseado.

3. Presione START/RESUME (Inicio/Reanudar) para comenzar la cuenta regresiva.

NOTA: En cualquier momento que se abra la puerta (como puede ser para agregar un plato), deberá presionarse nuevamente el botón de START/RESUME (Inicio/Reanudar) para reanudar la cuenta regresiva del retraso.

Opción de Control Lock (Bloqueo de control)

Use la opción de Control Lock para evitar el uso no intencional de la lavavajillas entre un ciclo y otro. Cuando la luz de del indicador Lock (Bloqueo) está encendida, todos los botones están desactivados. La puerta de la lavavajillas puede abrirse y cerrarse mientras los controles están bloqueados.

Para activar el bloqueo

Presione y sostenga SANI RINSE (Enjuague sanitario) durante 3 segundos. Se encenderá del indicador Lock (Bloqueo). Si usted oprime cualquier botón mientras su lavavajillas está bloqueada, la luz se enciende y apaga 3 veces.

NOTA: La lavavajillas no puede funcionar si el control está bloqueado.

Para desactivar el bloqueo

Presione y sostenga SANI RINSE (Enjuague sanitario) durante 3 segundos. La luz se apaga.

Sección de información provista por la lavavajillas

Luces indicadoras de estado



Toda la pantalla se iluminará para indicar lavado, secado, higienizado y ciclo completo. También mostrará el tiempo restante estimado del ciclo en horas y minutos.

La luz indicadora (en algunos modelos) se pondrá verde cuando está en funcionamiento y se apagará cuando el ciclo esté completo.

Cómo seleccionar los ciclos y las opciones

1. Seleccione el ciclo deseado. Si desea poner a funcionar el último ciclo que se ha terminado, puede simplemente presionar START (Inicio) una vez para mostrar qué opciones ha usado y luego presionar nuevamente START(Inicio) para comenzar el ciclo.
2. Seleccione las opciones deseadas. No todas las opciones están disponibles para cada ciclo. Si se selecciona una opción no válida para un ciclo determinado, las luces destellarán.

Cómo apagar/encender (OFF/ON) el sonido

Presione y sostenga HIGH TEMP (Temperatura alta) durante 3 segundos para alternar el sonido entre ON (Encendido) y OFF (Apagado). El sonido no se desactivará para los mensajes de interrupción del ciclo.

Cómo cancelar un ciclo

1. Abra la puerta ligeramente para detener el ciclo. Espere a que la acción de rociado se detenga antes de abrir la puerta por completo.
2. Para cancelar selecciones y/o desaguar presione y sostenga el botón START/RESUME (Inicio/Reanudar) durante 3 segundos. Si selecciona CANCEL/DRAIN para desaguar la lavavajillas, la palabra Drain (Desaguar) se encenderá y la pantalla de tiempo mostrará los minutos que quedan para desaguar. El desagüe no comenzará hasta que no se cierre la puerta.
3. Cierre la puerta en menos de 3 segundos. La lavavajillas comienza un ciclo de desagüe (si ha quedado agua en el fondo de la misma). Deje que la lavavajillas complete el desagüe. La luz Cancel/Drain se apaga al cabo de 2 minutos.

Cómo cambiar un ciclo después de iniciar la lavavajillas

Puede interrumpir un ciclo y volver a iniciar la lavavajillas desde el comienzo usando el siguiente procedimiento.

1. Vea los pasos de la sección anterior, Cómo cancelar un ciclo, para cancelar el ciclo actual.
2. Verifique que la tapa del depósito de detergente esté aún cerrada. Si la tapa está abierta, necesitará volver a llenar el depósito de detergente antes de volver a iniciar el nuevo ciclo.
3. Seleccione los nuevos ciclos y opciones.
4. Presione START/RESUME (Inicio/Reanudar).

CÓMO LAVAR ARTÍCULOS ESPECIALES

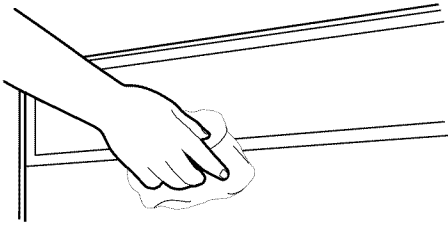
Si tiene dudas acerca del lavado de un artículo determinado, consulte con el fabricante para ver si se trata de un artículo lavable en la lavavajillas.

Material	¿Lavable en la lavavajillas?	Comentarios
Aluminio	Sí	La temperatura alta del agua y los detergentes pueden afectar el acabado del aluminio anodizado.
Aluminio desechable	No	No lave bandejas de aluminio desechables en la lavavajillas. Éstas podrían moverse durante el lavado y dejar unas marcas negras en los platos y otros objetos.
Botellas y latas	No	Lave las botellas y latas a mano. Las etiquetas engomadas pueden soltarse y obstruir el sistema de lavado y reducir el rendimiento de lavado.
Hierro fundido	No	Se perderá el curado y el hierro se oxidará.
Porcelana/Cerámica de gres	Sí	Consulte siempre las recomendaciones del fabricante antes de lavar. Los diseños antiguos, pintados a mano o sobre glaseado se podrían desteñir. Los acabados dorados pueden perder su color o intensidad.
Cristal	Sí	Consulte siempre las recomendaciones del fabricante antes de lavar. Algunos tipos de cristal de sosa pueden corroerse después de varias lavadas.
Oro	No	Los cubiertos dorados perderán su color.
Vidrio	Sí	El material de los vasos de leche se pondrá amarillento luego de varias lavadas en la lavavajillas.
Cuchillos con mango hueco	No	Los mangos de algunos cuchillos están fijados a la hoja con adhesivos que pueden aflojarse al ser lavados en la lavavajillas.
Peltre, latón, bronce y cobre	No	Las temperaturas altas del agua y el detergente pueden decolorar o picar el acabado.
Plásticos desechables	No	No pueden resistir las temperaturas altas del agua y los detergentes.
Plásticos	Sí	Consulte siempre las recomendaciones del fabricante antes de lavar. La capacidad de los objetos de plástico para resistir las temperaturas altas y los detergentes varía. Es recomendable colocar los objetos livianos, tales como tapas y mantequeras, sólo en la canasta superior. Los objetos duros tales como refrigerantes y bandejas de sillas para bebés pueden colocarse en la canasta inferior. Cuando lave objetos de plástico en la canasta inferior, no es recomendable usar la opción de Turbo Heat Dry (Secado con calor turbo) o Heated Dry (Secado con calor) (en algunos modelos)
Acero inoxidable	Sí	Haga correr un ciclo de enjuague si no va a lavar de inmediato. El contacto prolongado con los alimentos que contienen sal, vinagre, productos lácteos o jugos de fruta puede dañar el acabado.
Plata de ley o con baño de plata	Sí	Haga correr un ciclo de enjuague si no va a lavar de inmediato. El contacto prolongado con los alimentos que contienen sal, ácido o sulfuro (huevos, mayonesa y mariscos) puede dañar el acabado.
Hojalata	No	No se recomienda.
Artículos de madera	No	Lávelos a mano. Consulte siempre las recomendaciones del fabricante antes de lavar. La madera no tratada puede deformarse, agrietarse o perder el acabado.
Fuentes grandes	Sí	Es posible que haya ciertas fuentes que no encajen enfrente de la característica TurboZone® (en algunos modelos) en la parte posterior de la canasta de platos inferior. Regule las puntas según sea necesario para cargar los platos grandes.

CUIDADO DE LA LAVAVAJILLAS

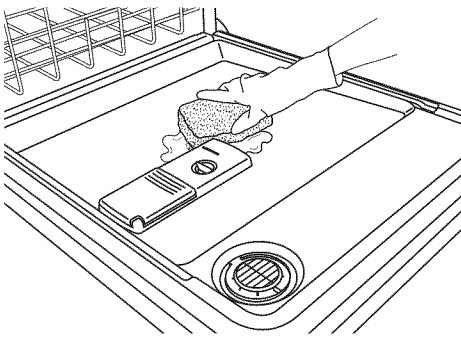
Limpeza

Limpeza del exterior



En la mayoría de los casos, todo lo que se debe hacer es usar periódicamente un paño suave y húmedo o una esponja con un detergente suave para que el exterior de su lavavajillas se vea limpio y reluciente. Si el exterior de la lavavajillas es de acero inoxidable, se recomienda un limpiador de acero inoxidable.

Limpeza del interior



Los residuos minerales del agua dura pueden causar la acumulación de una película blanca en las superficies interiores, sobre todo inmediatamente debajo del área de la puerta.

No limpie el interior de la lavavajillas hasta que se haya enfriado. Quizás sea necesario usar guantes de hule. No utilice ningún tipo de limpiador que no sea el detergente recomendado para lavavajillas, debido a que puede producir espuma en exceso.

Para limpiar el interior

Haga una pasta con el detergente en polvo de lavavajillas sobre una esponja húmeda y limpie.

○ BIEN

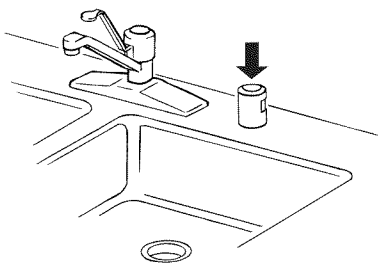
Use detergente líquido para lavavajillas automáticas y limpie con una esponja húmeda.

○ BIEN

Consulte el procedimiento de enjuague con vinagre en la sección "Solución de problemas" bajo "Vajilla turbia o con manchas (y solución de agua dura)".

NOTA: Ponga a funcionar un ciclo normal con detergente para lavavajillas después de limpiar el interior.

Purga de aire del desagüe



Algunas normas de plomería locales o estatales exigen que se instale una purga de aire del desagüe entre una lavavajillas empotrada y el sistema de desagüe de la casa. Revise la purga de aire del desagüe cuando su lavavajillas no esté desaguando bien.

La purga de aire del desagüe está por lo general ubicada encima del fregadero o en el mostrador, cerca de la lavavajillas. Para pedir una purga de aire del desagüe, llame al 1-800-4-MY-HOME®. Pida la pieza número 300096.

NOTA: La purga de aire del desagüe es un dispositivo de plomería externo que no forma parte de su lavavajillas. La garantía proporcionada para su lavavajillas no cubre los costos de servicio técnico directamente asociados con la limpieza o reparación de una purga de aire del desagüe externa.

Para limpiar la purga de aire del desagüe

Limpie la purga de aire del desagüe periódicamente para asegurar un desagüe apropiado de su lavavajillas. Para la mayoría de tipos de purgas, usted tiene que levantar la tapa de cromo. Destornille la tapa de plástico. Luego revise si hay acumulación de suciedad. Limpie si es necesario.

Vacaciones o tiempo prolongado sin uso

Para disminuir el riesgo de daños a la propiedad

- Si no va a utilizar la lavavajillas durante el verano, apague el agua y el suministro eléctrico a la lavavajillas.
- Asegúrese de que las líneas de suministro de agua estén protegidas contra las temperaturas bajo cero. Las formaciones de hielo en las líneas de suministro pueden aumentar la presión del agua y dañar la lavavajillas u ocasionar daños en la casa. El deterioro a causa de las temperaturas bajo cero no está cubierto por la garantía.
- Cuando guarde la lavavajillas durante el invierno, evite los daños ocasionados por el agua al acondicionar para el invierno la lavavajillas por parte de personal de servicio autorizado.

SOLUCIÓN DE PROBLEMAS

VERIFIQUE ESTOS CONCEPTOS PARA AYUDARLO A AHORRAR TIEMPO Y DINERO.

PROBLEMA	SOLUCIÓN
LA LAVAVAJILLAS NO FUNCIONA	<p>NOTA: Es normal que la lavavajillas haga varias pausas repetidamente durante un ciclo.</p> <p>Si está destellando la luz de Start/Resume (Inicio/Reanudar), cierre la puerta y presione START/RESUME (Inicio/Reanudar) o presione START/RESUME (Inicio/Reanudar) y cierre la puerta en menos de 3 segundos.</p> <p>Cerciórese de que la puerta esté cerrada y asegurada.</p> <p>Cerciórese de que no haya interferencia con fuentes grandes y el sistema de lavado en la parte posterior de la lavavajillas. Ajuste la carga según sea necesario, para cerciorarse de que la puerta esté cerrada y asegurada.</p> <p>Cerciórese de que la característica Control/Lock (Bloqueo de control) no esté encendida. (El indicador de Control/Lock (Bloqueo de control) estará encendido).</p> <p>Asegúrese de haber seleccionado un ciclo. (Vea “Información acerca de los ciclos y las opciones”.)</p> <p>Asegúrese de que haya suministro de energía a la lavavajillas. Es posible que se haya disparado un cortacircuitos o un fusible.</p> <p>Si están destellando otras luces que no sean la de Start/Resume (Inicio/Reanudar) y la unidad no funciona, deberá llamar para solicitar servicio técnico.</p>
QUEDA DETERGENTE EN EL DEPÓSITO O LA PASTILLA ESTÁ EN EL FONDO DE LA TINA	<p>Fíjese si hay artículos tales como charolas para galletas, tablas de cortar o recipientes grandes, etc., que pudieran impedir que el depósito de detergente se abra como es debido.</p> <p>Cerciórese de que el detergente esté fresco y sin grumos.</p> <p>Asegúrese de que se haya terminado el ciclo. El indicador Complete (Completo) estará encendido en la pantalla y la luz de estado frontal (en algunos modelos) estará apagada. Si no se ha completado, deberá reanudar el ciclo. Cierre la puerta y presione START/RESUME (Inicio/Reanudar) o presione START/RESUME (Inicio/Reanudar) y cierre la puerta en menos de 3 segundos.</p>

PROBLEMA	SOLUCIÓN
EL CICLO SE PROLONGA DEMASIADO	<p>NOTAS:</p> <ul style="list-style-type: none"> ■ Para usar menos agua y reducir el consumo de energía, usted verá que algunos ciclos en general funcionan hasta por 3 horas. Para lavar la vajilla con menos agua, la lavavajillas debe funcionar por más tiempo. La lavavajillas usa menos energía para funcionar que la que usa su calentador de agua para calentar el agua que usa la lavavajillas. ■ Lo mejor es fijar el calentador de agua a 120°F (49°C), ya que la lavavajillas demorará más mientras calienta el agua que esté más fría. ■ Algunas opciones aumentarán el tiempo al ciclo. (Vea la sección “Información acerca de los ciclos y las opciones”.) <p>Pruebe con el ciclo de 1 Hour Wash (Lavado de 1 hora). El ciclo de 1 Hour Wash (Lavado de 1 hora) usa más energía y agua para lavar la vajilla en menos tiempo.</p> <p>Antes de seleccionar y comenzar el ciclo, haga correr agua caliente de un grifo que esté cerca de la lavavajillas.</p>
LA LAVAVAJILLAS NO SECA	<p>NOTA: Los objetos de plástico y los artículos con superficies antiadherentes son difíciles de secar, ya que tienen una superficie porosa que tiende a retener las gotas de agua. Puede ser necesario secar con un paño de cocina.</p> <p>Se necesita usar el agente de enjuague junto con la opción de Turbo Heat Dry (Secado con calor turbo) para un secado adecuado.</p> <p>El cargar los artículos adecuadamente puede tener un efecto en el secado. (Vea las instrucciones de carga específicas dentro de este manual.)</p> <p>Los vasos y las tazas con base cóncava retienen el agua. Esta agua puede derramarse sobre otros artículos al quitarlos.</p> <ul style="list-style-type: none"> ■ Vacíe primero la canasta inferior. ■ Ubique estos artículos en el lado más inclinado de la canasta, para obtener mejores resultados.
NO SE LLENA	<p>Asegúrese de que la llave de agua a la lavavajillas esté abierta.</p> <p>Verifique que el flotador esté libre de obstrucciones. (Vea “Piezas y características”.)</p> <p>Revise si hay espuma en la lavavajillas. Si se detecta espuma, es posible que la lavavajillas no funcione correctamente o que no se llene de agua.</p>
QUEDA AGUA EN LA TINA/ NO DESAGUA	<p>Asegúrese de que se haya terminado ciclo. El indicador Complete (Completo) estará encendido en la pantalla y la luz de estado frontal (en algunos modelos) estará apagada. Si no se ha completado, deberá reanudar el ciclo. Cierre la puerta y presione START/RESUME (Inicio/Reanudar) o presione START/RESUME (Inicio/Reanudar) y cierre la puerta en menos de 3 segundos.</p> <p>Si la lavavajillas está conectada a un recipiente de desechos alimenticios, asegúrese de haber quitado el tapón del disco removible de la entrada del recipiente de desechos.</p> <p>Revise si la manguera de desagüe está retorcida.</p> <p>Revise si hay obstrucciones de comida en el desagüe o en el recipiente de desechos.</p> <p>Revise el fusible o el cortacircuitos de la casa.</p> <p>Quite y limpie los filtros ULTRA WASH® y compruebe que no haya acumulación de alimentos debajo.</p>

PROBLEMA	SOLUCIÓN
AGUA DURA (RESIDUO BLANCO EN EL INTERIOR DE LA LAVAVAJILLAS O EN LA CRISTALERÍA)	<p>NOTA: Los residuos minerales del agua extremadamente dura pueden causar daños en su lavavajillas y hacer difícil que se obtenga una buena limpieza. Puede traer sus muestras de agua a Sears para verificar el nivel de dureza del agua de su casa. Se recomienda enérgicamente un ablandador de agua si el agua tiene una dureza de 15 granos o más. Si no se instala un ablandador de agua, pueden ayudar los pasos siguientes:</p> <p>Use un limpiador comercial diseñado para lavavajillas, una vez por mes.</p> <p>Limpie los filtros ULTRA WASH^{® HE} por lo menos una vez por mes.</p> <p>Use siempre un agente de enjuague.</p> <p>Siempre use un detergente fresco de alta calidad.</p> <p>Use un aditivo para realzar el detergente/ablandador de agua que esté diseñado para lavavajillas.</p>
OLORES	<p>NOTA: Si la lavavajillas no se utiliza diariamente, puede poner en marcha un ciclo de enjuague rápido con la carga parcial hasta que llene una carga completa.</p> <p>Ponga a funcionar un enjuague con vinagre en la lavavajillas, colocando 2 tazas (500 mL) de vinagre blanco en una taza medidora de vidrio en posición vertical, en la canasta inferior. Haga funcionar un ciclo normal con la opción de Turbo Heat Dry (Secado con calor turbo) apagada. No use detergente.</p> <p>Es posible que la lavavajillas no esté desaguando como es debido; vea “QUEDA AGUA EN LA TINA/NO DESAGUA” en “Solución de problemas”.</p>
RUIDOS	<p>NOTAS:</p> <ul style="list-style-type: none"> ■ Se pueden escuchar periódicamente sonidos de gorgoteo a lo largo del ciclo, mientras se desagua la lavavajillas. ■ Puede escucharse periódicamente el silbido normal de la válvula de agua. ■ Puede escucharse un sonido normal de chasquido cuando se abre el depósito de detergente durante el ciclo y cuando se abre la puerta al final del mismo. ■ La instalación incorrecta afectará los niveles de ruido. <p>Asegúrese de que estén bien instalados los filtros.</p> <p>Puede escucharse un golpeteo si los artículos se extienden más allá de las canastas e interfieren con los brazos de lavado. Reacomode la vajilla y reanude el ciclo.</p>
QUEDA SUCIEDAD DE LOS ALIMENTOS EN LOS PLATOS	<p>Asegúrese de cargar correctamente la lavavajillas. Una carga indebida puede disminuir en gran proporción el rendimiento de lavado (vea “Cómo cargar para un mejor desempeño en el lavado y el secado”).</p> <p>Verifique el filtro para asegurarse de que está instalado correctamente. Límpielo de ser necesario. (Vea “Instrucciones de limpieza” en “Sistema de filtración ULTRA WASH^{® HE}” para obtener detalles.)</p> <p>Seleccione el ciclo y la opción adecuados para el tipo de suciedad. Puede usarse el ciclo de Pots & Pans (Ollas y cacerolas) con la opción TurboZone[®] (en algunos modelos) para las cargas más sucias.</p> <p>Cerciérese de que la temperatura de entrada de agua sea de por lo menos 120°F (49°C).</p> <p>Use la cantidad adecuada de detergente fresco. Se necesitará más detergente para las cargas con suciedad intensa y condiciones de agua dura.</p> <p>Quite los restos de comida de los platos antes de ponerlos en la lavavajillas (no los enjuague previamente).</p>
NO HA HIGIENIZADO	<p>Si la luz de higienizado está destellando, la carga <i>NO</i> ha sido higienizada. Se ha interrumpido el ciclo en el enjuague final o el calentador de agua se ha fijado en una temperatura muy baja. Fije el calentador de agua en 120°F (49°C).</p>
DAÑOS EN LA VAJILLA	<p>Una carga inapropiada puede hacer que los platos se desportillen o se dañen. (Vea las instrucciones de carga específicas dentro de este manual.)</p>

PROBLEMA	SOLUCIÓN
LUCES DESTELLANDO	<p>Si está destellando Start/Resume (Inicio/Reanudar) u otras luces de estado y la lavavajillas no funciona, cierre la puerta y presione START/RESUME (Inicio/Reanudar) o presione START/RESUME (Inicio/Reanudar) y cierre la puerta en menos de 3 segundos. Si la lavavajillas todavía no funciona, llame para solicitar servicio.</p>
VAJILLA TURBIA O CON MANCHAS (Y SOLUCIÓN DE AGUA DURA)	<p>NOTAS:</p> <ul style="list-style-type: none"> ■ Es necesario un agente de enjuague líquido, además de las tabletas o paquetes con todo en uno, para secar y reducir las manchas. ■ Use la cantidad adecuada de detergente. <p>Confirme que se pueda quitar la turbidez remojando el artículo en vinagre blanco durante 5 minutos. Si desaparece la turbidez, ésta se debe a agua dura. Regule la cantidad de detergente y agente de enjuague. Vea “AGUA DURA (RESIDUO BLANCO EN EL INTERIOR DE LA LAVAVAJILLAS O EN LA CRISTALERÍA)”, en “Solución de problemas”. Si no se aclara, es debido a la corrosión (vea a continuación).</p> <p>Cerciórese de que la temperatura de entrada de agua esté fijada a 120°F (49°C).</p> <p>Pruebe usar las opciones de Hi Temp (Temperatura alta) y Sani Rinse (Enjuague sanitario).</p> <p>Para quitar las manchas, haga correr un enjuague con vinagre en la lavavajillas.</p> <ul style="list-style-type: none"> ■ Lave y enjuague la vajilla que esté afectada y cárguela en la lavavajillas. Quite todos los objetos metálicos y cubiertos. Ponga 2 tazas (500 mL) de vinagre blanco en una taza medidora de vidrio en la canasta inferior. Haga funcionar un ciclo normal con la opción de Turbo Heat Dry (Secado con calor turbo) apagada. No se necesita detergente.
CORROSIÓN (TURBIDEZ PERMANENTE)	<p>Esto es una erosión de la superficie de la cristalería y puede ser causada por una combinación de lo siguiente: agua muy caliente, el uso de demasiado detergente en agua blanda o el lavado previo. El detergente necesita de la suciedad de la comida para actuar. Si ha habido corrosión, la cristalería está permanentemente dañada. Para evitar que continúe ocurriendo la corrosión, regule la cantidad de detergente de manera que coincida con la dureza del agua, deje de lavar previamente y use opciones de calentamiento de agua solamente cuando la temperatura del agua de entrada sea menor de 120°F (49°C).</p>
FUGAS DE AGUA	<p>Asegúrese de que la lavavajillas esté instalada correctamente y de que esté nivelada.</p> <p>La espuma puede hacer que se desborde la lavavajillas. Mida el detergente con precisión y use solamente detergentes diseñados para ser usados en una lavavajillas. Se necesita menos detergente en agua blanda. Si continúa el exceso de espuma, pruebe otra marca de detergente.</p> <p>Para evitar que se salga el agente de enjuague del depósito, cerciórese de que la tapa esté bien sujeta y evite el sobrellenado.</p>
SE HA DECOLORADO LA TINA	<p>NOTAS:</p> <ul style="list-style-type: none"> ■ El alto contenido de hierro en el agua puede decolorar la tina. ■ Los alimentos a base de tomate pueden manchar la tina o la vajilla. ■ Puede usarse un limpiador a base de cítricos para limpiarla.

NOTAS

TABLE DES MATIÈRES

CONTRATS DE PROTECTION	48	UTILISATION DU LAVE-VAISSELLE	62
GARANTIE	49	Informations sur les programmes et les options	62
SÉCURITÉ DU LAVE-VAISSELLE	50	Section module de commande du lave-vaisselle.....	63
PIÈCES ET CARACTÉRISTIQUES	52	Section commentaires sur l'utilisation du lave-vaisselle.....	64
DÉMARRAGE / GUIDE RAPIDE	53	Annulation d'un programme	64
SYSTÈME DE FILTRATION ULTRA WASH®	54	Modification d'un programme après la mise en marche du lave-vaisselle.....	64
CONSEILS D'EFFICACITÉ POUR LE LAVE-VAISSELLE	56	LAVAGE D'ARTICLES SPÉCIAUX	65
DÉTÉRGENT ET AGENT DE RINÇAGE.....	57	ENTRETIEN DU LAVE-VAISSELLE	66
Détergent	57	Nettoyage.....	66
Agent de rinçage.....	57	Dispositif de brise-siphon.....	66
CHARGEMENT	58	Vacances ou longue période d'inutilisation	67
Chargement pour un nettoyage et un séchage idéaux.....	58	DÉPANNAGE	67
Chargement du panier supérieur.....	59	NUMÉROS DE SERVICE	COUVERTURE ARRIÈRE
Chargement du panier inférieur	60		

CONTRATS DE PROTECTION

Contrats principaux de protection

Nous vous félicitons d'avoir fait un achat judicieux. Votre nouvel appareil Kenmore® est conçu et fabriqué pour vous procurer des années de fonctionnement fiable. Mais comme pour tous les produits, il pourra à l'occasion nécessiter un entretien préventif ou une réparation. Le cas échéant, un Contrat principal de protection peut vous épargner de l'argent et des soucis.

Le Contrat principal de protection contribue aussi à prolonger la vie utile de votre nouvel appareil ménager. Le Contrat* inclut :

- ✓ **Pièces et main-d'œuvre** nécessaires pour conserver les appareils en état de fonctionnement correct pendant une utilisation normale, pas uniquement les défaillances. Notre couverture va bien au-delà de la garantie du produit. Aucune franchise, aucune anomalie de fonctionnement ne sont exclues de ce contrat - **protection réelle.**
- ✓ **Un service d'expert** proposé par plus de 10 000 techniciens d'entretien Sears autorisés, ce qui signifie que quelqu'un de confiance prendra soin de votre produit.
- ✓ **Appels de service illimités et service national**, aussi souvent que vous en avez besoin et quand vous en avez besoin.
- ✓ **Garantie "Sans soucis"** - remplacement de votre produit couvert si plus de quatre pannes se produisent en deçà de douze mois.
- ✓ **Remplacement du produit** si votre produit couvert ne peut être réparé.
- ✓ **Vérification annuelle d'entretien préventif** sur demande - sans frais supplémentaires.
- ✓ **Aide rapide par téléphone** - nous appelons cela **Résolution rapide** - soutien téléphonique d'un agent de Sears sur tous les produits. Considérez-nous comme un "manuel d'utilisateur parlant".

- ✓ **Protection contre les sautes de puissance** pour prévenir les dommages électriques attribuables aux fluctuations de courant.
- ✓ **Couverture pour la perte de nourriture de 250 \$** par an sur tout aliment altéré en raison d'une défaillance mécanique sur tout réfrigérateur ou congélateur couvert.
- ✓ **Remboursement de location** si la réparation du produit couvert prend plus de temps que promis.
- ✓ **25 % de réduction** sur le prix courant de toute intervention de réparation non couverte et pièces de rechange.

Dès que vous achetez le Contrat, il suffit d'un appel téléphonique pour obtenir un rendez-vous de service. Vous pouvez appeler en tout temps jour et nuit ou prendre un rendez-vous de service en ligne.

Le Contrat principal de protection constitue un investissement sans risque. Si vous annulez pour une quelconque raison pendant la période de garantie du produit, nous vous rembourserons intégralement ou nous vous verserons un remboursement au prorata après l'expiration de la période de garantie. Achetez votre Contrat principal de protection aujourd'hui même!

Certaines limitations et exclusions s'appliquent. Pour des prix et renseignements supplémentaires aux États-Unis, composez le 1-800-827-6655.

*Le contrat de couverture au Canada varie pour certains articles. Pour des informations détaillées, appelez Sears Canada au 1-800-361-6665.

Service d'installation Sears

Pour l'installation professionnelle garantie par Sears d'appareils ménagers et d'articles tels que les ouvre-portes de garage, chauffe-eau, et autres gros appareils ménagers, aux É.-U. ou au Canada, composez le 1-800-4-MY-HOME®.

GARANTIE DES APPAREILS MÉNAGERS KENMORE

GARANTIE LIMITÉE DE UN AN

Lorsqu'il est installé, utilisé et entretenu conformément à toutes les instructions fournies, si cet appareil ménager subit une défaillance due à un vice de matériau ou de fabrication au cours de l'année qui suit la date d'achat, composer le 1-800-4-MY-HOME® (1-800-469-4663) pour obtenir une réparation gratuite.

Si cet appareil ménager est utilisé à d'autres fins que pour un usage privé et familial, la présente garantie ne s'applique que pendant 90 jours à partir de la date d'achat.

La présente garantie couvre uniquement les vices de matériaux et de fabrication. Sears NE paiera PAS pour :

1. Les pièces courantes qui peuvent s'user suite à une utilisation normale, notamment les filtres, courroies, ampoules à incandescence et sacs.
2. L'intervention d'un technicien pour montrer à l'utilisateur comment installer, utiliser et entretenir correctement le produit.
3. L'intervention d'un technicien pour nettoyer ou entretenir ce produit.
4. L'endommagement ou les défauts du produit si celui-ci n'est pas installé, utilisé ou entretenu conformément à toutes les instructions fournies avec le produit.
5. L'endommagement ou les défauts du produit résultant d'accident, usage impropre ou abusif ou utilisation autre que celle pour laquelle il est destiné.
6. L'endommagement ou les défauts du produit causés par l'utilisation de détergents, agents de nettoyage, produits chimiques ou ustensiles autres que ceux recommandés dans toutes les instructions fournies avec le produit.
7. L'endommagement ou les défauts des pièces ou systèmes résultant d'une modification non autorisée faite au produit.

Clause d'exonération de responsabilité au titre des garanties implicites; limitation des recours

Le seul et exclusif recours du client dans le cadre de la présente garantie limitée consiste en la réparation prévue ci-dessus. Les garanties implicites, y compris les garanties applicables de qualité marchande et d'aptitude à un usage particulier, sont limitées à un an ou à la plus courte période autorisée par la loi. Sears n'assume aucune responsabilité pour les dommages fortuits ou indirects. Certains États ou certaines provinces ne permettent pas l'exclusion ou la limitation des dommages fortuits ou indirects, ou la limitation de la durée des garanties implicites de qualité marchande ou d'aptitude à un usage particulier, de sorte que cette exclusion ou limitation peut ne pas être applicable dans votre cas.

Cette garantie s'applique seulement lorsque cet appareil ménager est utilisé aux États-Unis ou au Canada*.

Cette garantie vous confère des droits juridiques spécifiques et vous pouvez également jouir d'autres droits qui peuvent varier d'un État à l'autre.

*Au Canada, les interventions de réparation à domicile ne sont pas possibles dans toutes les zones géographiques, et les frais de déplacement et de transport pour l'utilisateur ou le dépanneur ne sont pas couverts par la présente garantie si ce produit se trouve dans une région éloignée (tel que défini par Sears Canada Inc.) où il n'existe pas de fournisseur de services d'entretien ou de dépannage agréé.

**Sears Brands Management Corporation
Hoffman Estates, IL 60179**

Sears Canada Inc.

Toronto, Ontario, Canada M5B 2C3

SÉCURITÉ DU LAVE-VAISSELLE

Votre sécurité et celle des autres est très importante.

Nous donnons de nombreux messages de sécurité importants dans ce manuel et sur votre appareil ménager. Assurez-vous de toujours lire tous les messages de sécurité et de vous y conformer.



Voici le symbole d'alerte de sécurité.

Ce symbole d'alerte de sécurité vous signale les dangers potentiels de décès et de blessures graves à vous et à d'autres.

Tous les messages de sécurité suivront le symbole d'alerte de sécurité et le mot "DANGER" ou "AVERTISSEMENT". Ces mots signifient :

⚠ DANGER

Risque possible de décès ou de blessure grave si vous ne suivez pas immédiatement les instructions.

⚠ AVERTISSEMENT

Risque possible de décès ou de blessure grave si vous ne suivez pas les instructions.

Tous les messages de sécurité vous diront quel est le danger potentiel et vous disent comment réduire le risque de blessure et ce qui peut se produire en cas de non-respect des instructions.

IMPORTANTES INSTRUCTIONS DE SÉCURITÉ

AVERTISSEMENT : Lors de l'utilisation du lave-vaisselle, suivre les précautions élémentaires dont les suivantes :

- Lire la totalité des instructions avant d'utiliser le lave-vaisselle.
- N'utiliser le lave-vaisselle que pour laver la vaisselle.
- Utiliser les détergents ou agents de rinçage recommandés pour lave-vaisselle et les garder hors de la portée des enfants.
- Lorsque vous chargez le lave-vaisselle :
 - 1) Placer les objets coupants de façon qu'ils ne puissent endommager le joint de la porte; et
 - 2) Placer les couteaux le manche vers le haut de façon à ne pas vous couper.
- Ne pas laver d'articles en plastique à moins qu'ils ne soient marqués "Peut aller au lave-vaisselle" ou l'équivalent. Si l'article ne porte aucune indication, vérifier auprès du fabricant.
- Ne pas toucher l'élément chauffant pendant le fonctionnement ou immédiatement après.
- Ne pas faire fonctionner le lave-vaisselle si tous les panneaux de l'enceinte ne sont pas en place.
- Ne pas jouer avec les commandes.
- Ne pas abuser, vous asseoir ni monter sur la porte, le couvercle ou les paniers du lave-vaisselle.
- Pour éviter tout risque d'accident, ne pas laisser les enfants jouer dans ou sur le lave-vaisselle.
- Sous certaines conditions, de l'hydrogène peut se former dans un réseau d'eau chaude inutilisé depuis deux semaines ou plus. L'HYDROGÈNE EST UN GAZ EXPLOSIBLE. Si le système d'eau chaude n'a pas été utilisé depuis un certain temps, laisser couler l'eau chaude des robinets pendant quelques minutes avant de faire fonctionner le lave-vaisselle. Cette mesure permettra à l'hydrogène de s'évaporer. Ce gaz étant inflammable, ne pas fumer ni utiliser de flamme nue pendant cette période.
- Enlever la porte ou le couvercle du compartiment de lavage lorsque vous remplacez ou mettez au rebut un vieux lave-vaisselle.

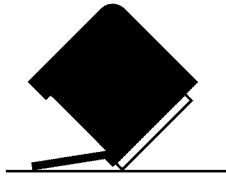
CONSERVEZ CES INSTRUCTIONS

Avertissements de la proposition 65 de l'État de Californie :

AVERTISSEMENT : Ce produit contient au moins un produit chimique connu par l'État de Californie pour être à l'origine de cancers.

AVERTISSEMENT : Ce produit contient au moins un produit chimique connu par l'État de Californie pour être à l'origine de malformations et autres déficiences de naissance.

⚠️ AVERTISSEMENT



Risque de basculement

Ne pas utiliser le lave-vaisselle jusqu'à ce qu'il soit complètement installé.

Ne pas appuyer sur la porte ouverte.

Le non-respect de ces instructions peut causer des blessures graves ou des coupures.

⚠️ AVERTISSEMENT



Risque de choc électrique

Relier le lave-vaisselle à la terre d'une méthode électrique.

Brancher le fil relié à la terre au connecteur vert relié à la terre dans la boîte de la borne.

Ne pas utiliser un câble de rallonge.

Le non-respect de ces instructions peut causer un décès, un incendie ou un choc électrique.

INSTRUCTIONS DE MISE À LA TERRE

■ Pour un lave-vaisselle relié à la terre, branché avec un cordon :

Le lave-vaisselle doit être relié à la terre. En cas d'un mauvais fonctionnement ou d'une panne, la mise à terre réduira le risque d'un choc électrique en fournissant le moins de résistance pour le courant électrique. Le lave-vaisselle est équipé d'un cordon avec un conducteur pour relier les appareils à la terre. La fiche doit être branchée sur une prise appropriée, installée et reliée à la terre conformément aux codes et règlements locaux.

AVERTISSEMENT : La connexion incorrecte du conducteur pour relier les appareils à la terre peut causer le risque de choc électrique. Vérifier avec un électricien compétent ou un représentant de service si vous avez des doutes si le lave-vaisselle est correctement relié à la terre. Ne pas modifier la fiche fournie avec le lave-vaisselle; si elle n'entre pas dans la prise, faire installer une prise appropriée par un électricien compétent.

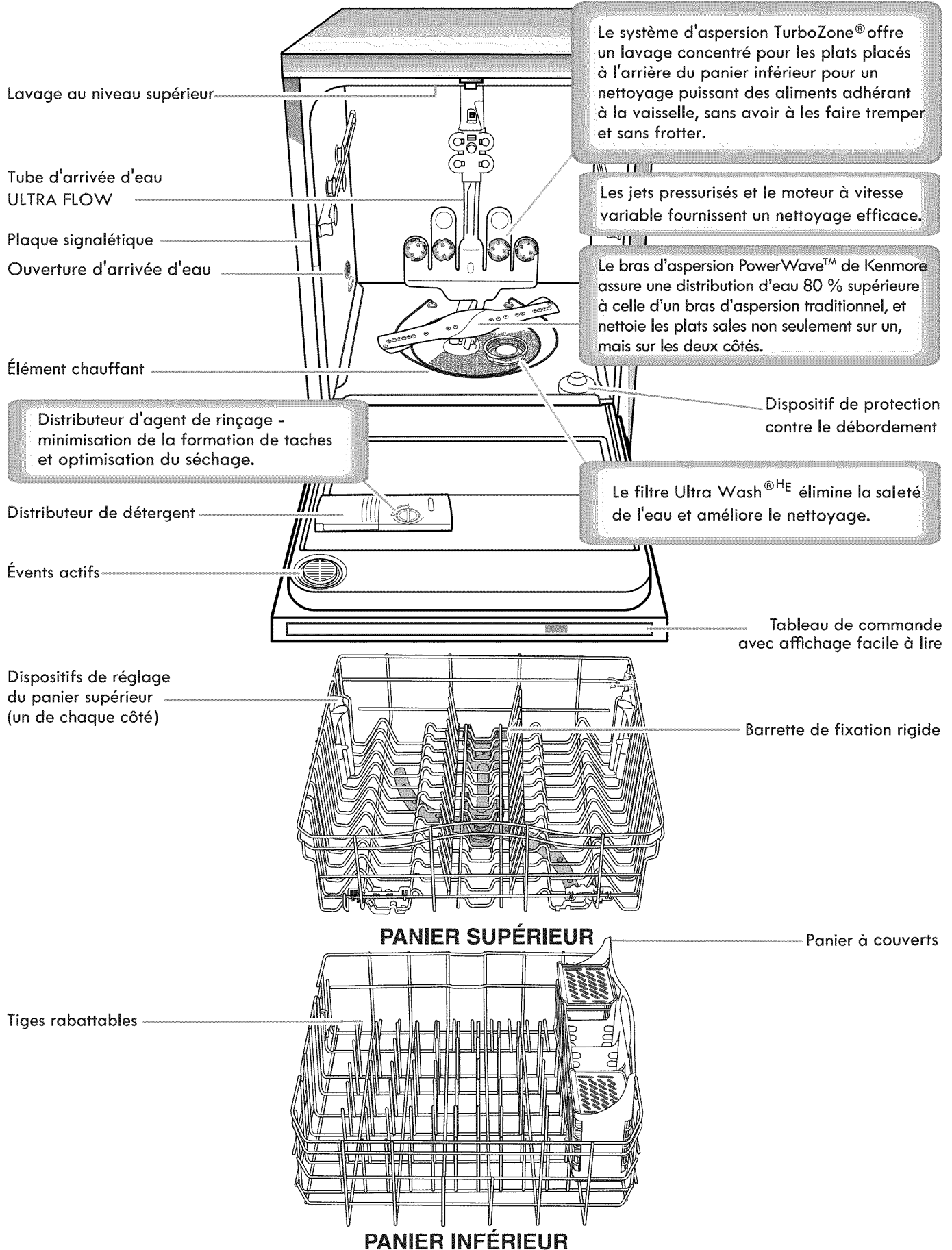
■ Pour un lave-vaisselle branché en permanence :

Le lave-vaisselle doit être branché à un système d'installation électrique permanent en métal relié à la terre, ou un conducteur pour relier les appareils à la terre doit être relié avec les conducteurs du circuit et branché à une borne pour relier les appareils à la terre ou au cordon d'alimentation électrique avec le lave-vaisselle.

CONSERVEZ CES INSTRUCTIONS

- Installer le lave-vaisselle à l'abri des intempéries. Éviter de l'exposer au gel; cela pourrait entraîner une rupture de l'électrovanne de remplissage. De telles ruptures ne sont pas couvertes par la garantie. Voir la section "Vacances ou longue période d'inutilisation".
- Effectuer l'installation et le nivellement du lave-vaisselle sur un plancher qui pourra en supporter le poids, et dans un espace adéquat pour ses dimensions et son utilisation.
- Enlever tous les bouchons d'expédition des tuyaux et des raccords (tel que le capuchon sur l'ouverture de vidange) avant l'installation. Voir les instructions d'installation pour des renseignements complets.

PIÈCES ET CARACTÉRISTIQUES

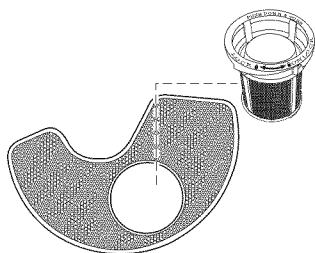


DÉMARRAGE / GUIDE RAPIDE (VARIE SELON LE MODÈLE)

Les filtres amovibles ULTRA WASH^{®HE} offrent une performance de pointe.

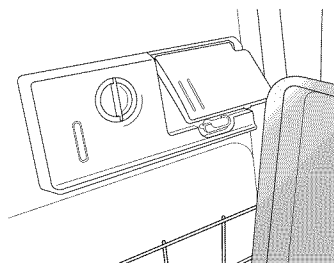
Un nettoyage régulier des filtres permettra au lave-vaisselle de maintenir une performance maximale. Les filtres se trouvent dans le fond du lave-vaisselle, au centre.

Voir "SYSTÈME DE FILTRATION ULTRA WASH^{®HE}" pour plus de renseignements sur le retrait et l'entretien des filtres.



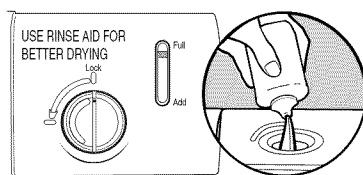
IMPORTANT : Ne pas obstruer le distributeur de détergent.

De grands articles placés dans le panier inférieur pourraient entraver l'ouverture du clapet du distributeur. Des tôles à biscuits ou planches à découper qui seraient chargées sur la gauche peuvent facilement entraver l'ouverture du distributeur. Si l'on remarque du détergent dans le distributeur ou au fond de la cuve après la fin d'un programme, cela signifie que le distributeur était bloqué.



Séchage - L'emploi d'un agent de rinçage est essentiel.

Il faut utiliser un agent de séchage (tel un agent de rinçage) pour obtenir un bon séchage (échantillon fourni). Un agent de rinçage combiné à l'option Turbo Heat Dry (séchage avec chaleur turbo) offrira une performance de séchage idéale et permettra d'éviter une humidité excessive à l'intérieur du lave-vaisselle.



Turbo Heat Dry

Lavage en 1 heure - Pour des résultats rapides.

Les lave-vaisselle à haute efficacité fonctionnent plus longtemps pour économiser de l'eau et de l'énergie, tout comme une vitesse de conduite réduite permet d'économiser du carburant. Pour des résultats rapides, le lavage en 1 heure nettoie votre vaisselle en utilisant légèrement plus d'eau et d'énergie. Pour un meilleur séchage, sélectionner l'option Turbo Heat Dry (séchage avec chaleur turbo) pour prolonger le temps de séchage.

1 Hr Wash

Programme SmartWash^{®HE}

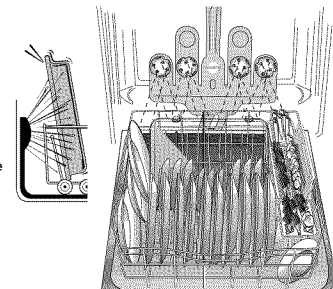
SmartWash^{®HE} fournit des résultats optimaux en utilisant uniquement la quantité d'eau et d'énergie nécessaire. Les programmes SmartWash^{®HE} et Pots & Pans (casseroles et poêles) sont recommandés pour les saletés tenaces.

Smart Wash

Chargement TurboZone[®] (sur certains modèles)

Lorsque l'option TurboZone[®] est sélectionnée, elle offre un lavage concentré à l'arrière du panier inférieur pour les plats difficiles à nettoyer. Placer ces plats en orientant la surface sale du plat vers les orifices d'aspersion TurboZone[®] dans le panier inférieur du lave-vaisselle.

Arrière du lave-vaisselle



Turbo Zone

Appuyer sur **START** chaque fois que l'on ajoute un plat.

Pour démarrer ou poursuivre un programme, appuyer sur **START** (mise en marche) et fermer la porte dans les 3 secondes qui suivent. Si on ne ferme pas la porte dans les 3 secondes qui suivent, le bouton de mise en marche **DEL** clignote et le programme ne démarre pas.



IMPORTANT : Si l'on ouvre la porte (par exemple pour ajouter un plat, même pendant le fonctionnement de l'option Delay Hours [mise en marche différée de plusieurs heures]), il faut à chaque fois appuyer sur le bouton **START** (mise en marche) et fermer la porte dans les 3 secondes qui suivent pour poursuivre le programme.

Dosage du détergent

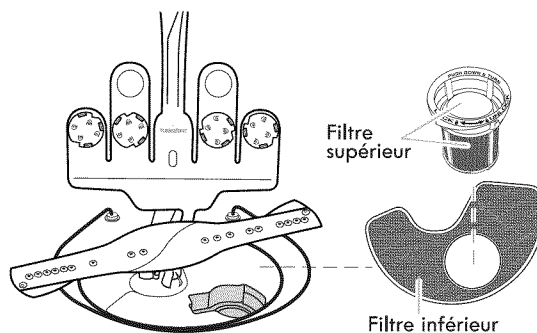
Il est possible que certains utilisateurs emploient trop de détergent dans le lave-vaisselle. Cela peut attaquer les plats. Voir "Détergent et agent de rinçage" pour déterminer la quantité de détergent nécessaire en fonction de la dureté de l'eau. Il est prouvé que les détergents en pastilles ou en sachets réduisent plus efficacement la formation de pellicule sur la vaisselle que les détergents liquides, en poudre ou en gel.

SYSTÈME DE FILTRATION ULTRA WASH® HE

Ce lave-vaisselle est équipé de la toute dernière technologie en matière de filtration. Ce système de triple filtration minimise le niveau sonore et optimise la consommation d'eau et d'énergie tout en offrant une performance de nettoyage supérieure. Le filtre doit être entretenu tout au long de la durée de vie du lave-vaisselle pour pouvoir continuer à fonctionner au mieux de sa performance.

Le système de triple filtration comporte 2 parties, un filtre supérieur et un filtre inférieur.

- Le filtre supérieur permet de tenir des articles surdimensionnés ou des objets étrangers ainsi que les particules alimentaires très fines à l'écart de la pompe.
- Le filtre inférieur empêche les aliments de se redéposer sur la vaisselle.



Pour une performance de nettoyage optimale, nous suggérons d'entretenir les filtres tous les mois en retirant et en inspectant les filtres inférieur et supérieur pour vérifier leur état de saleté. En fonction de la fréquence d'utilisation du lave-vaisselle, la fréquence de nettoyage des filtres peut différer de celle indiquée dans le tableau ci-dessous.

Les filtres devront peut-être être nettoyés lorsque :

- On remarque des objets ou saletés sur le filtre supérieur.
- La performance de nettoyage se dégrade (c.-à-d. présence de saletés sur les plats).
- Les plats sont rugueux au toucher.

Le retrait et l'entretien des filtres sont très faciles. Le tableau ci-dessous indique la fréquence de nettoyage recommandée.

Intervalle de nettoyage recommandés pour le nettoyage du filtre

Nombre de charges par semaine	Si vous lavez avant le chargement	Si vous grattez et rincez les plats avant le chargement	Si vous vous contentez de gratter les plats avant le chargement*	Si vous ne grattez ou ne rincez pas les plats avant le chargement
13-14	Une fois par an	Deux fois par an	Tous les deux mois	Une fois par semaine
8-12	Une fois par an	Tous les quatre mois	Tous les deux mois	Toutes les deux semaines
4-7	Une fois par an	Une fois par an	Tous les quatre mois	Une fois par mois
1-3	Une fois par an	Une fois par an	Deux fois par an	Tous les deux mois

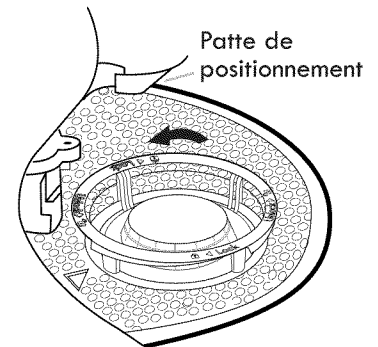
*Conseil du fabricant : Ceci permet d'économiser l'eau et l'énergie utilisées pour la préparation des plats. Cela vous épargne également du temps et des efforts.

Eau très dure

Si l'eau du domicile est très dure (au-delà de 15 grains), nettoyer le filtre au moins une fois par mois. L'accumulation de résidus blancs dans le lave-vaisselle est le signe d'une eau dure. Vous pouvez apporter des échantillons d'eau à Sears pour contrôler le degré de dureté de votre eau. Pour des conseils sur l'élimination de taches, voir la section "Dépannage".

Instructions de retrait du filtre

1. Tourner le filtre supérieur d'un quart de tour dans le sens antihoraire et le soulever.
2. Saisir le filtre inférieur situé dans l'ouverture circulaire, le soulever légèrement et le tirer vers l'avant pour le retirer.
3. Nettoyer les filtres tel qu'indiqué ci-dessous.

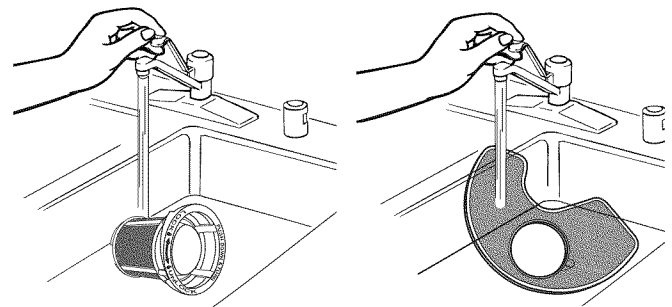


Retrait du filtre supérieur

Instructions de nettoyage

IMPORTANT : Ne pas utiliser de brosse métallique, de tampon à récurer, ou d'objets similaires car ils peuvent endommager les filtres.

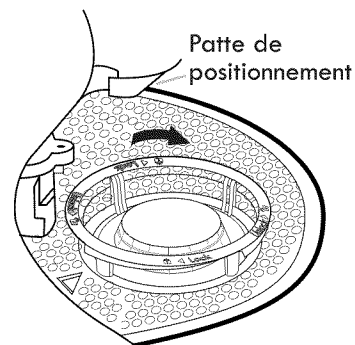
Rincer le filtre sous l'eau courante jusqu'à ce que la plupart des saletés soient éliminées. Si l'on remarque la présence de saletés difficiles à retirer ou de dépôts de calcaire causés par l'eau dure, l'emploi d'une brosse douce sera peut-être nécessaire.



Instructions de réinstallation du filtre

1. En s'aidant des illustrations précédentes, placer le filtre inférieur sous les pattes de positionnement situées au fond du lave-vaisselle de sorte que l'ouverture du filtre supérieur soit alignée avec l'ouverture circulaire du fond de la cuve.
2. Insérer le filtre supérieur dans l'ouverture circulaire du filtre inférieur.
3. Faire pivoter lentement le filtre dans le sens horaire jusqu'à ce qu'il s'insère dans le logement. Continuer à faire pivoter le filtre jusqu'à ce qu'il s'emboîte. Si le filtre n'est pas complètement installé (continue de tourner librement), continuer à tourner le filtre dans le sens horaire jusqu'à ce qu'il s'insère dans le logement et s'emboîte.

REMARQUE : Du moment que le filtre est bien emboîté, il n'est pas nécessaire que la flèche du filtre supérieur soit alignée avec celle du filtre inférieur.



Réinstallation du filtre supérieur

IMPORTANT : Afin d'éviter d'endommager le lave-vaisselle, ne pas faire fonctionner le lave-vaisselle sans que les filtres ULTRA WASH[®] HE ne soient correctement installés. S'assurer que le filtre inférieur est bien en place et que le filtre supérieur est bien emboîté. Si le filtre supérieur tourne librement, cela signifie qu'il n'est pas bien emboîté.

CONSEILS D'EFFICACITÉ POUR LE LAVE-VAISSELLE

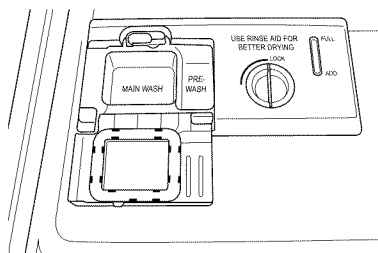
L'eau chaude dissout et active le détergent pour lave-vaisselle. L'eau chaude dissout également la graisse sur la vaisselle et contribue au séchage des verres sans taches. Pour obtenir de meilleurs résultats de lavage, l'eau doit être à 120°F (49°C) à son entrée dans le lave-vaisselle. Les charges peuvent ne pas être lavées aussi bien si la température de l'eau est trop basse.

Conseils d'efficacité supplémentaires

- Pour économiser de l'eau, de l'énergie et du temps, se contenter de gratter la vaisselle. Ne pas rincer les plats avant de les placer dans le lave-vaisselle.
- Utiliser la caractéristique de mise en marche différée pour faire fonctionner votre lave-vaisselle en dehors des heures de pointe. Les fournisseurs d'électricité locaux recommandent d'éviter l'emploi intense d'énergie à certaines heures de la journée.
- Pendant l'été, faire fonctionner le lave-vaisselle la nuit. Cela permet de réduire l'accumulation de chaleur dans la cuisine pendant la journée.
- Utiliser un agent de rinçage pour améliorer le séchage.

DÉTERGENT ET AGENT DE RINÇAGE

Détergent



IMPORTANT : Utiliser uniquement du détergent pour lave-vaisselle automatique. Un produit à vaisselle pour nettoyage manuel produirait une quantité excessive de mousse et déborderait du lave-vaisselle.

Quantité de détergent recommandée

Ajouter la quantité de détergent recommandée tel qu'indiqué dans chaque compartiment et fermer le couvercle de détergent.

Produits sous forme de poudre ou de gels

Dureté de l'eau	Niveau de saleté	Compartiment de pré-lavage	Compartiment de lavage principal
Douce (0 à 4 grains par gallon US)	Léger	Vide	1/2
	Normal	Vide	1/2
	Élevé	Plein	1/2
Moyenne (5 à 9 grains par gallon US)	Léger	Vide	1/2
	Normal	1/2	1/2
	Élevé	Plein*	Plein*
Dure (10 à 14 grains par gallon US)	Léger	1/2	Plein*
	Normal	Plein*	Plein*
	Élevé	Plein*	Plein*

*La capacité du compartiment de pré-lavage est de 7 cuillères à thé (35 mL) et celle du compartiment de lavage principal de 9 cuillères à thé (45 mL).

Détergents pré-mesurés

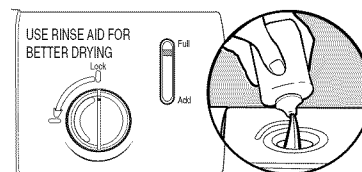
Beaucoup de détergents sont vendus en format pré-mesuré (sachets de gel, pastilles ou sachets de poudre). Ces formats sont idéaux quelle que soit la dureté de l'eau et de saleté.

Toujours placer les détergents pré-mesurés dans le compartiment principal et fermer le couvercle.

Il est prouvé que les détergents pour lave-vaisselle en pastilles ou en sachet réduisent plus efficacement la formation de pellicule sur la vaisselle que les détergents liquides, en poudre ou en gel. Au fil de l'utilisation régulière de ces pastilles et sachets, la pellicule blanche commencera à diminuer ou à disparaître. L'utilisation d'un agent de rinçage peut aussi vous aider à réduire la fréquence de la formation de cette pellicule blanche.

IMPORTANT : Les dépôts minéraux provenant d'une eau très dure (au moins 15 grains par gallon U.S.) peuvent endommager le lave-vaisselle et rendre un bon nettoyage difficile. On recommande l'emploi d'un adoucisseur d'eau pour éviter tout dommage et obtenir de bons résultats. Vous pouvez apporter des échantillons d'eau à Sears pour contrôler le degré de dureté de votre eau.

Agent de rinçage



IMPORTANT : Votre lave-vaisselle est conçu pour utiliser un agent de rinçage liquide. L'utilisation d'agents de rinçage améliore nettement le séchage en permettant à l'eau de s'écouler de la vaisselle après le rinçage final. Ils empêchent aussi l'eau de former des gouttelettes qui peuvent laisser des taches ou des coulées en séchant.

Remplissage du distributeur

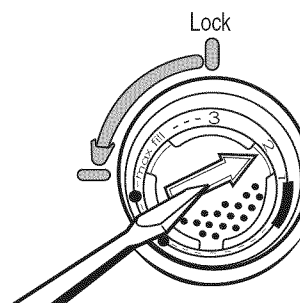
La capacité du distributeur d'agent de rinçage est de 5 oz (150 mL). Dans la plupart des cas, cette quantité devrait durer environ 1 à 3 mois.

1. Tourner le bouton d'1/4 de tour dans le sens antihoraire et le retirer.
2. Verser l'agent de rinçage dans l'ouverture jusqu'à ce que l'indicateur soit sur FULL (plein). Ne pas remplir excessivement.
3. Nettoyer les éventuelles coulées d'agent de rinçage. Des coulées d'agent de rinçage peuvent entraîner une production excessive de mousse.
4. Réinstaller le bouton et le tourner à la position LOCK (verrouillage).

REMARQUE : L'indicateur indiquera le niveau de remplissage correct lorsque la porte est complètement ouverte.

Réglage de la quantité d'agent de rinçage

Le distributeur d'agent de rinçage est réglable. Pour une majorité de types d'eau, le réglage effectué à l'usine à 2 donnera de bons résultats. Si l'eau utilisée est dure ou si l'on observe des dépôts de calcaire sur la vaisselle, il peut être judicieux d'essayer un réglage plus élevé. Si l'on remarque de la mousse dans le lave-vaisselle, utiliser un réglage inférieur.



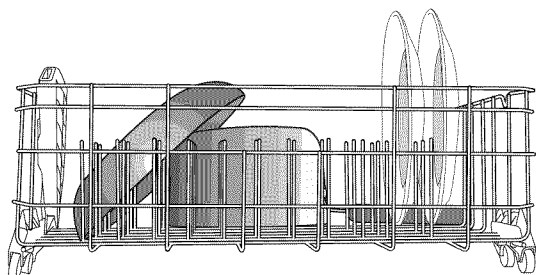
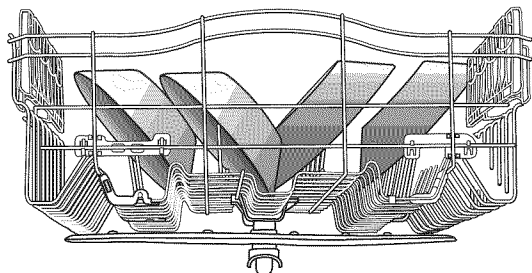
Ajustement du réglage

1. Tourner le bouton d'1/4 de tour dans le sens antihoraire et le retirer.
2. Pointer la flèche à l'intérieur du distributeur sur le réglage désiré.
3. Réinstaller le bouton et le tourner à la position LOCK (verrouillage).

CHARGEMENT

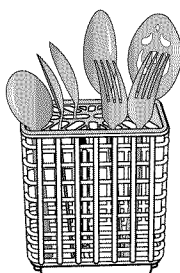
Chargement pour un nettoyage et un séchage idéaux

1. Orienter les surfaces les plus sales vers le bas et laisser suffisamment d'espace entre les articles pour que l'eau puisse circuler entre chaque panier et entre les plats.



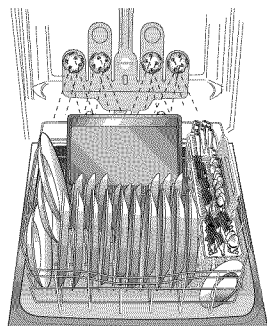
Le fait de séparer les articles permet à l'eau de circuler.

2. Pour un meilleur nettoyage des couverts, utiliser les encoches des couvercles pour séparer les articles.



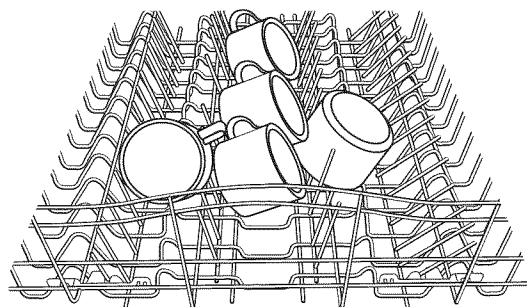
Séparés

3. Utiliser l'option TurboZone® (sur certains modèles) pour les articles les plus sales en les orientant vers le panier inférieur.



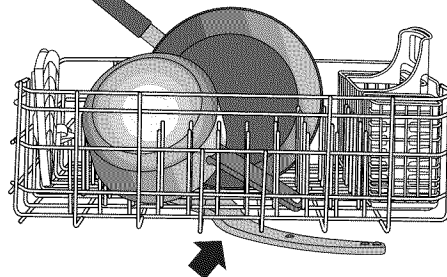
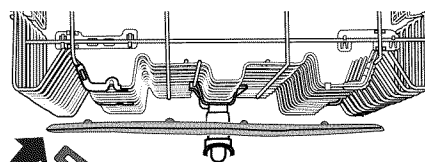
Jets d'aspersion concentrés sur la saleté TurboZone®

4. Incliner les surfaces creuses tels les fonds de tasses à café pour permettre à l'eau de s'écouler et pour améliorer les résultats de séchage.



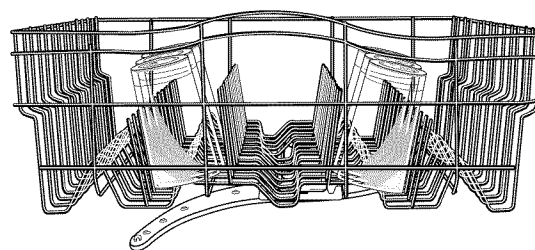
Surfaces inclinées

5. Vérifier que les bras d'aspersion tournent librement avant chaque programme.



Les bras d'aspersion tournent librement.

6. Placer les tasses et les verres dans les rangées entre les tiges.

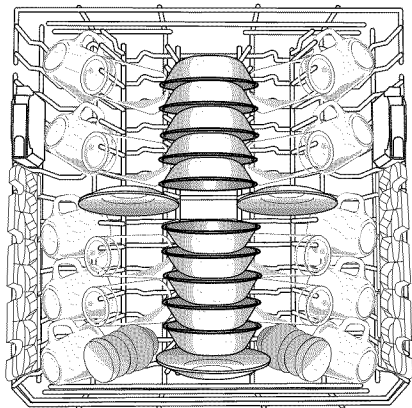


Chargement du panier supérieur

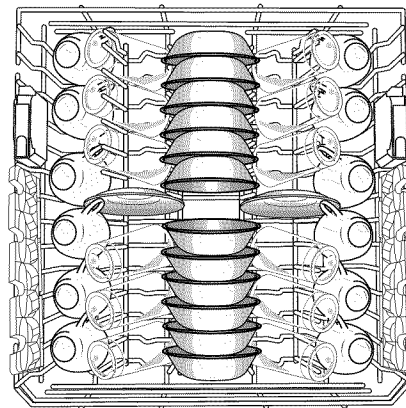
Recommandations concernant le chargement

Placer les tasses et verres dans les rangées entre les tiges. Le fait de placer ces articles sur les tiges peut entraîner des dommages et l'apparition de taches d'eau. Pour éviter d'endommager les articles délicats comme les articles en porcelaine, en cristal, les verres à pied ou autres articles similaires, veiller à ce qu'ils ne se touchent pas pendant le fonctionnement du lave-vaisselle.

Charger les articles en plastique légers et lavables au lave-vaisselle uniquement dans le panier supérieur.



Disposition pour 10 couverts

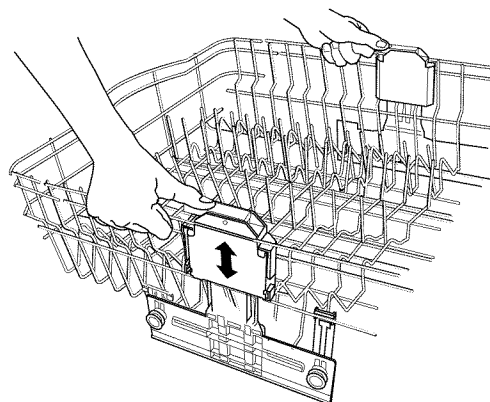


Disposition pour 12 couverts

Panier de luxe réglable à 2 positions (sur certains modèles)

On peut élever ou abaisser le panier supérieur pour pouvoir charger de grands articles dans le panier supérieur ou inférieur. Les régleurs sont situés de chaque côté du panier supérieur. Élever le panier supérieur pour pouvoir charger des articles jusqu'à 9" (23 cm) dans le panier supérieur et jusqu'à 13" (33 cm) dans le panier inférieur, ou abaisser le panier supérieur pour pouvoir charger des articles jusqu'à 11" (28 cm) dans les paniers supérieur et inférieur.

1. Pour élever le panier, le soulever jusqu'à ce que les deux côtés se trouvent à la même hauteur et s'emboîtent.
2. Pour l'abaisser, appuyer sur les deux onglets des régleurs de panier et abaisser le panier.



Panier supérieur amovible

Le panier amovible permet de laver des articles de plus grande taille tels que marmites, rôtissoires et tôles à biscuits dans le panier de niveau inférieur.

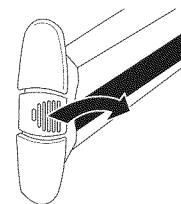
IMPORTANT : Retirer la vaisselle avant d'enlever le panier supérieur du lave-vaisselle.

Pour retirer le panier (onglet de butée du panier) :

1. Faire rouler le panier de $\frac{1}{3}$ à $\frac{1}{2}$ vers l'extérieur.
2. Retirer les onglets de plastique faisant office de butées situés à l'extrémité de chaque panier en appuyant sur le bord côté de la butée du panier, vers l'intérieur et vers le panier. La butée du panier se déboîte et peut être retirée facilement en la tirant en ligne droite. Veiller à soutenir la glissière au moment de retirer les butées du panier.
3. Faire glisser entièrement le panier hors de la glissière et le retirer du lave-vaisselle.

Pour réinstaller le panier :

Reprendre les étapes 1 à 3 ci-dessus dans le sens inverse et remettre en place le panier dans le lave-vaisselle.



Chargement du panier inférieur

Recommandations concernant le chargement

Le panier inférieur est idéal pour les assiettes, casseroles, plats pour mets en sauce et ustensiles. (Voir les modèles de chargement recommandés dans les illustrations.)

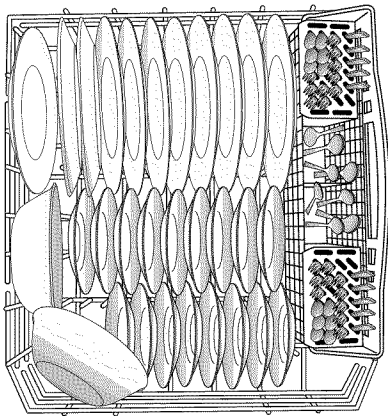
Ne charger de petits articles dans le panier inférieur que s'ils sont bien calés.

Charger les assiettes, bols à soupe, etc., entre les tiges.

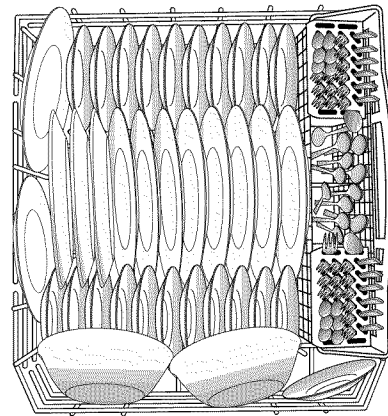
Charger les bols solidement entre les rangées de tiges. S'assurer que les plats sont espacés de manière à ce que le jet d'aspersion puisse atteindre toutes les surfaces.

Charger les articles très sales en les orientant vers le jet d'aspersion.

REMARQUE : S'assurer que le distributeur de détergent n'est pas obstrué par de grands articles telles des tôles à biscuits ou des planches à découper placées sur le côté avant-gauche du panier. Voir la section "Démarrage / guide rapide".



Disposition pour 10 couverts



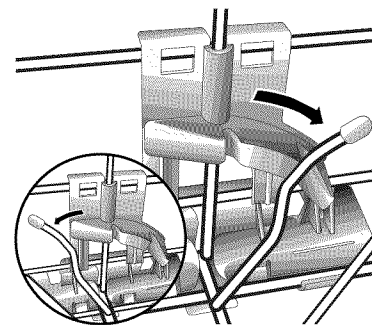
Disposition pour 12 couverts

Tiges rabattables (sur certains modèles)

Il est possible de rabattre une rangée de tiges à l'arrière du panier inférieur pour libérer de la place pour des plats de plus grande taille.

Garder cette rangée de tiges inclinée à 60° lorsqu'on utilise l'option TurboZone® (sur certains modèles).

IMPORTANT : Lorsqu'on place une rangée de tiges en position allongée, replier la rangée de tiges vers l'avant du lave-vaisselle.

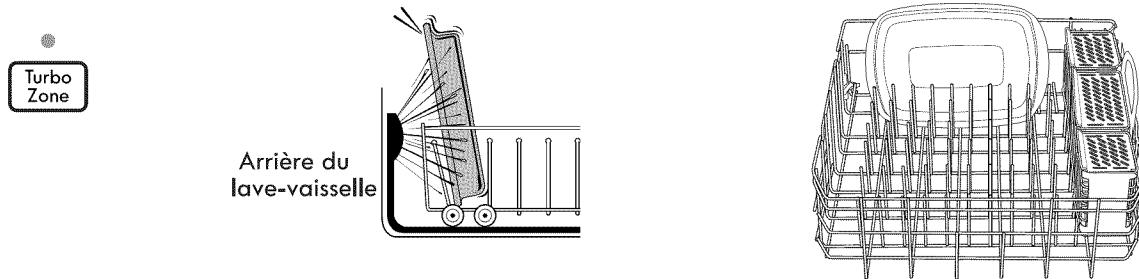


Chargement TurboZone® (sur certains modèles)

IMPORTANT : Pour une performance idéale, seule une rangée d'articles doit être orientée face aux jets d'aspersion TurboZone®. Pour utiliser cette option de lavage, l'option de lavage TurboZone® doit être sélectionnée.

Charger les poêles, plats à mets en sauce, etc., en orientant les surfaces sales vers les jets d'aspersion TurboZone®. La zone de lavage TurboZone® se trouve à l'arrière du panier à vaisselle inférieur.

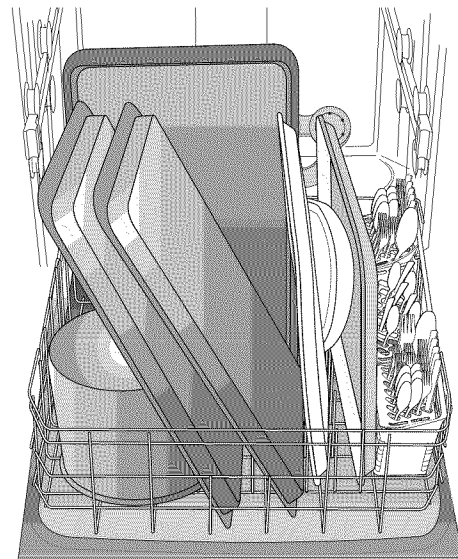
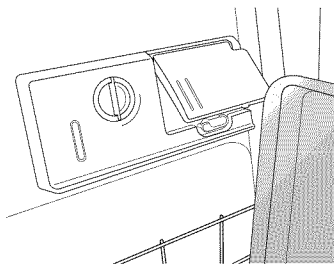
On trouve ci-dessous une description du chargement recommandé pour l'utilisation de l'option TurboZone®.



Chargement de grands articles

Il est possible de laver des articles plus grands tels que casseroles, rôtissoires ou tôles à biscuits dans le panier inférieur en retirant le panier supérieur. Voir la section "Chargement du panier supérieur".

IMPORTANT : Ne pas obstruer le distributeur de détergent.

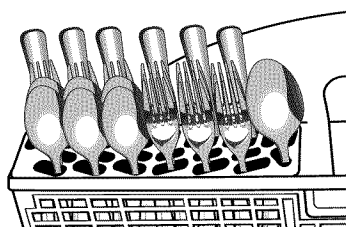
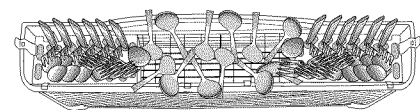


Chargement des couverts

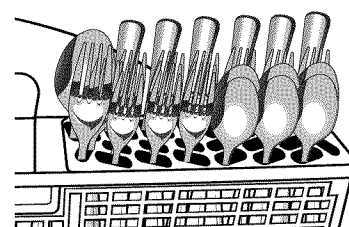
Utiliser les modèles de chargement suggérés (voir les illustrations) pour améliorer le nettoyage des couverts.

Utiliser les encoches des couvercles pour séparer les couverts et obtenir un lavage optimal (voir l'illustration à droite).

REMARQUE : Si vos couverts ne conviennent pas aux encoches prévues, relever les couvercles et mélanger les types de couverts pour les tenir séparés. Pour de meilleurs résultats de lavage, charger les couteaux vers le bas, les fourchettes vers le haut et alterner la position des cuillers tel qu'illustré. Placer les couverts longs à l'arrière du panier du lave-vaisselle et les couverts courts à l'avant.



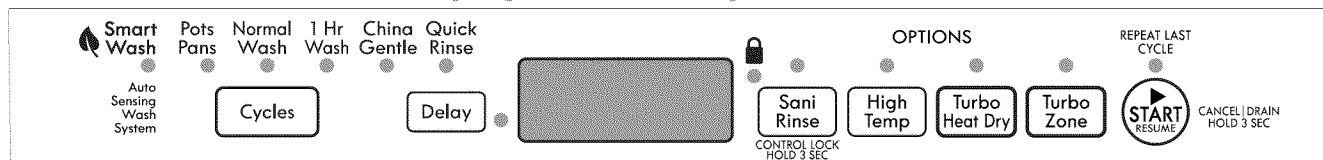
Panier à couverts de gauche



Panier à couverts de droite

UTILISATION DU LAVE-VAISSELLE

Informations sur les programmes et les positions (sur certains modèles)



Programmes	Durée de lavage* estimée sur l'affichage : H:MM	Gamme de consommation d'eau Gallons (litres)
Programme SmartWash[®] HE Programme le plus avancé et le plus polyvalent. Ce programme détecte la taille de la charge, la quantité de saletés et l'adhérence des saletés. Ce programme est optimisé pour atteindre un nettoyage maximal avec un minimum d'eau et d'énergie.	2:30	3,4 à 7,4 (12,8 à 28,0)
Pots & Pans (casseroles et poêles) Idéal pour les articles les plus difficiles à nettoyer tels les plats pour mets en sauce comportant des résidus alimentaires ayant adhéré à la cuisson. Utiliser l'option TurboZone [®] (sur certains modèles) pour le nettoyage idéal des saletés ayant adhéré à la cuisson.	3:23	7,4 (28,0)
Normal Wash (lavage normal) Avec seulement l'option Turbo Heat Dry (séchage avec chaleur turbo) activée, sans autre option, ce programme est recommandé pour laver une pleine charge de vaisselle normalement sale. L'étiquette de consommation d'énergie est basée sur cette combinaison de programme et d'option.	2:21	2,4 à 7,4 (9,09 à 28,0)
China Gentle (douceur pour porcelaine) (sur certains modèles) Offre un programme de lavage léger et un séchage en douceur pour les articles délicats comme la porcelaine/le cristal, quel que soit le niveau de saleté.	2:21	2,4 à 7,4 (9,09 à 28,0)
1 Hour Wash (lavage en 1 heure) Pour des résultats rapides, le lavage en 1 heure nettoie votre vaisselle en utilisant légèrement plus d'eau et d'énergie. Pour un meilleur séchage, sélectionner l'option Turbo Heat Dry (séchage avec chaleur turbo).	1:00	7,9 (29,8)
Quick Rinse (rinçage rapide) Utiliser ce programme pour rincer la vaisselle, les verres et les couverts qui ne seront pas lavés immédiatement. Ne pas utiliser de détergent.	0:18	2,0 (7,6)

*Certaines options prolongeront le programme. Voir la section d'information sur les options. Durée de programme approximative obtenue avec de l'eau chaude à 120°F (49°C) fournie au lave-vaisselle. Si les durées sont plus longues, cela signifie que l'eau d'arrivée est moins chaude. Les durées de programme et la consommation d'eau peuvent varier en fonction de la température de l'eau, du degré de saleté, de la taille de la charge de vaisselle ainsi que des options sélectionnées.

Options	Peut être sélectionnée avec	Description	Durée supplémentaire du programme	Eau ajoutée [†] - Gallons (litres)
Option TurboZone[®] (sur certains modèles) Projection d'eau dans vos casseroles ou autres plats pour éliminer le besoin de trempage et récurage des articles très souillés ou avec résidus de cuisson. Pour les articles les plus difficiles à laver, utiliser l'option TurboZone [®] avec le programme Pots & Pans (casseroles et poêles). Voir l'information sur le chargement.	SmartWash [®] HE Pots & Pans Normal Wash	Emploi de toute la puissance de lavage de l'appareil dans la zone TurboZone [®] durant certaines phases du programme de lavage.	0:12 à 0:57	0 à 4,8 (0 à 18,2)

Options	Peut être sélectionnée avec	Description	Durée supplémentaire du programme	Eau ajoutée [†] - Gallons (litres)
High Temp (température élevée) Augmente la température principale de lavage pour améliorer le nettoyage des charges comportant des charges difficiles à nettoyer ou des résidus ayant adhéré pendant la cuisson.	SmartWash^{®HE} Pots & Pans Normal Wash	Fait passer la température du lavage principal à 135°F (57°C).	0:05 à 0:13	0 à 3,9 (0 à 14,6)
Sani Rinse (rinçage sanitaire) Cette option à haute température assainit la vaisselle et la verrerie conformément à la norme 184 NSF/ANSI pour lave-vaisselle résidentiels. Les lave-vaisselle résidentiels certifiés ne sont pas destinés aux établissements alimentaires autorisés. Le mot Sanitized (assainissement) s'illumine à la fin du programme lorsqu'il s'est terminé correctement. Si l'assainissement ne s'est pas terminé (le plus souvent en raison d'une interruption du programme), le mot Sanitized clignote.	SmartWash^{®HE} Pots & Pans Normal Wash	Fait passer la température du lavage principal à 135°F (57°C) et la température du rinçage final à 156°F (69°C).	0:05 à 1:01	0 à 3,9 (0 à 14,6)
Turbo Heat Dry (séchage avec chaleur turbo) Active l'élément de chauffage une fois le programme de lavage terminé. Lorsque le programme complet est terminé, le ventilateur peut continuer à fonctionner pendant quelques instants, ou jusqu'à l'ouverture de la porte. Pour un meilleur séchage, utiliser de l'agent de rinçage avec ou sans l'option Turbo Heat Dry (séchage avec chaleur turbo). Les articles en plastique sont moins susceptibles de se déformer si on les place dans le panier à vaisselle supérieur.	Disponible pour tous les programmes, sauf pour Quick Rinse (rinçage rapide)	Active l'élément de chauffage et le ventilateur à la fin du programme de lavage.	0:08 à 0:46	0

*Le maximum de quantité d'eau supplémentaire que l'on peut utiliser pour n'importe quelle combinaison d'options est de 4,8 gal. (18,2 L).

Section module de commande du lave-vaisselle

Delay Hours (mise en marche différée de plusieurs heures) (sur certains modèles)

Utiliser cette option pour faire fonctionner le lave-vaisselle en dehors des heures de pointe. Les fournisseurs d'électricité locaux recommandent de limiter la consommation d'énergie aux périodes situées en dehors des heures de pointe autant que possible. La mise en marche différée affiche le nombre d'heures avant le début du programme.

Pour différer la mise en marche

1. Choisir un programme de lavage et des options.
2. Appuyer sur le bouton de mise en marche différée. Chaque fois que vous appuyez sur le bouton DELAY (mise en marche différée), la prochaine heure de mise en marche différée disponible s'affiche.

REMARQUE : Le lave-vaisselle mémorise la dernière mise en marche différée sélectionnée. Pour régler l'heure de mise en marche différée à un réglage différent de celui affiché, continuer à appuyer sur le bouton Delay (mise en marche différée) jusqu'à atteindre l'heure de mise en marche différée souhaitée.

3. Appuyer sur START/RESUME (mise en marche/reprise) pour démarrer le compte à rebours de la mise en marche différée.

REMARQUE : Chaque fois que l'on ouvre la porte (pour ajouter un plat, par exemple), il faut de nouveau appuyer sur le bouton START/RESUME (mise en marche/reprise) pour que le compte à rebours reprenne.

Option verrouillage des commandes

Activer le verrouillage des commandes pour prévenir l'utilisation non intentionnelle du lave-vaisselle entre les programmes. Lorsque l'indicateur LOCK (verrouillage) est allumé, tous les boutons sont mis hors d'état. On peut encore ouvrir/fermer la porte du lave-vaisselle alors que les commandes sont verrouillées.

Pour enclencher le dispositif de verrouillage

Appuyer sur SANI RINSE (rinçage sanitaire) pendant 3 secondes. L'indicateur Lock (verrouillage) s'allume. Lorsque l'on appuie sur une touche alors que les commandes du lave-vaisselle sont verrouillées, le témoin lumineux clignote 3 fois.

REMARQUE : Le lave-vaisselle ne peut pas démarrer si le module de commande est verrouillé.

Pour désactiver le dispositif de verrouillage

Appuyer sur SANI RINSE (rinçage par assainissement) pendant 3 secondes. L'indicateur lumineux s'éteint.

Section commentaires sur l'utilisation du lave-vaisselle

Témoins lumineux de statut



L'affichage s'allume entièrement aux étapes de lavage, séchage, assainissement et lorsque le programme est terminé. Il indique également une estimation de la durée restante du programme en heures et minutes.



Le témoin lumineux (sur certains modèles) est vert lorsque l'appareil est en marche, et s'éteint lorsque le programme est terminé.

Sélection des programmes et options

1. Sélectionner le programme désiré. Si l'on souhaite faire fonctionner le même programme que le dernier programme effectué, il suffit d'appuyer une fois sur START (mise en marche) pour indiquer les options utilisées, et d'appuyer de nouveau sur START pour démarrer le programme.
2. Sélectionner les options désirées. Toutes les options de séchage ne sont pas disponibles sur tous les programmes. Si l'on sélectionne une option invalide pour un programme donné, les témoins clignotent.

ACTIVATION/DÉSACTIVATION du son

Appuyer sur HIGH TEMP (température élevée) pendant 3 secondes pour alterner entre ON (activation) et OFF (désactivation). Le son ne sera pas désactivé en cas de messages d'interruption de programme.

Annulation d'un programme

1. Ouvrir légèrement la porte pour arrêter le programme. Attendre que l'action d'arrosage s'arrête avant d'ouvrir complètement la porte.
2. Pour annuler les sélections et/ou vidanger, appuyer sur le bouton START/RESUME (mise en marche/reprise) pendant 3 secondes. Si l'on vidange le lave-vaisselle en sélectionnant CANCEL/DRAIN (annulation/vidange), le mot vidange s'allume et l'affichage de l'heure affiche les minutes de vidange restantes. La vidange ne commencera pas avant la fermeture de la porte.
3. Fermer la porte dans les 3 secondes qui suivent. Le lave-vaisselle entame un programme de vidange (s'il reste de l'eau au fond du lave-vaisselle). Laisser le lave-vaisselle évacuer l'eau complètement. Le témoin Cancel/Drain (annulation/vidange) s'éteint après 2 minutes.

Modification d'un programme après la mise en marche du lave-vaisselle

On peut interrompre un programme et recommencer le programme depuis le début en respectant la procédure suivante.

1. Voir les étapes dans la section précédente "Annulation d'un programme" afin d'annuler le programme en cours.
2. Vérifier que le couvercle du distributeur de détergent est bien fermé. Si le couvercle est ouvert, il faut remplir à nouveau le distributeur de détergent avant de redémarrer un nouveau programme.
3. Choisir un nouveau programme et les options.
4. Appuyer sur START/RESUME (mise en marche/reprise).

LAVAGE D'ARTICLES SPÉCIAUX

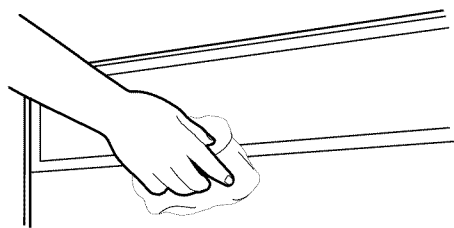
En cas de doute au sujet du lavage d'un article particulier, consulter le fabricant pour déterminer si l'article est lavable au lave-vaisselle.

Matériau	Article lavable au lave-vaisselle?	Commentaires
Aluminium	Oui	L'eau chaude et les détergents peuvent affecter le fini de l'aluminium anodisé.
Aluminium jetable	Non	Ne pas laver de plats en aluminium jetables dans le lave-vaisselle. Ils risquent de se déplacer durant le lavage et de transférer des marques noires à la vaisselle et à d'autres articles.
Bouteilles et cannettes	Non	Laver manuellement les bouteilles et cannettes. Les étiquettes fixées par de la colle peuvent se détacher et obstruer le système de lavage, réduisant ainsi la performance de lavage.
Fonte	Non	La patine sera éliminée et rouillera ensuite.
Porcelaine/grès	Oui	Toujours consulter les recommandations du fabricant avant le lavage. La décoration des articles d'antiquité, les articles peints à la main ou l'émaillage peuvent se détériorer. Les dorures peuvent se dissiper ou changer de couleur.
Cristal	Oui	Toujours consulter les recommandations du fabricant avant le lavage. Certains types de cristal au plomb peuvent se détériorer après plusieurs lavages.
Or	Non	Les couverts dorés subiront un changement de couleur.
Verre	Oui	Le verre opaque jaunit après de nombreux lavages au lave-vaisselle.
Coutellerie à manche creux	Non	Les manches de certains couteaux sont fixés à la lame au moyen d'un adhésif qui peut se dégager lors du lavage au lave-vaisselle.
Étain, laiton, bronze et cuivre	Non	L'eau chaude et les détergents peuvent décolorer ou attaquer le fini.
Plastiques jetables	Non	Ce matériau ne peut résister aux effets de l'eau chaude et des détergents.
Plastiques	Oui	Toujours consulter les recommandations du fabricant avant le lavage. La résistance des articles de plastique aux températures élevées et aux détergents est variable. Il est recommandé de placer les articles légers tels les couvercles et les beurriers uniquement dans le panier supérieur. Les articles résistants comme les glacières ou les plateaux de chaise haute peuvent être placés dans le panier inférieur. Lorsqu'on lave des articles en plastique dans le panier inférieur, il est recommandé de ne pas utiliser l'option Heated Dry (séchage avec chaleur ou Turbo Heat Dry (séchage avec chaleur turbo) (selon votre modèle).
Acier inoxydable	Oui	Si le lavage n'est pas effectué immédiatement, exécuter un programme de rinçage. Le contact prolongé avec des résidus alimentaires contenant sel, vinaigre, produits laitiers ou jus de fruit peut endommager le fini.
Argent sterling ou plaqué	Oui	Si le lavage n'est pas effectué immédiatement, exécuter un programme de rinçage. Le contact prolongé avec des résidus alimentaires contenant sel, acide ou sulfure (œuf, mayonnaise et fruits de mer) peut endommager le fini.
Fer blanc	Non	Non recommandé.
Articles en bois	Non	Laver manuellement. Toujours consulter les recommandations du fabricant avant le lavage. Le bois non traité peut se déformer, se fissurer ou perdre son fini.
Grands plats à mets en sauce	Oui	Il est possible que certains plats à mets en sauce ne conviennent pas à l'espace réservé à la caractéristique TurboZone® (sur certains modèles) à l'arrière du panier à vaisselle inférieur. Si nécessaire, ajuster les tiges pour pouvoir charger des grands plats.

ENTRETIEN DU LAVE-VAISSELLE

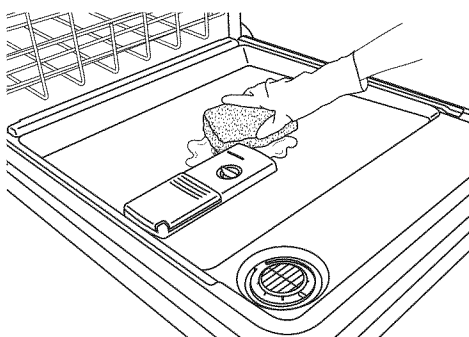
Nettoyage

Nettoyage de l'extérieur



Dans la plupart des cas, un nettoyage régulier au moyen d'un linge doux ou d'une éponge humide et d'un détergent doux suffit pour la préservation de l'esthétique et de la propreté des surfaces extérieures du lave-vaisselle. Si la finition extérieure du lave-vaisselle est faite d'acier inoxydable, on recommande l'emploi d'un produit de nettoyage pour acier inoxydable.

Nettoyage de l'intérieur



Les composés minéraux présents dans l'eau dure peuvent provoquer l'accumulation d'un film blanchâtre sur les surfaces intérieures, particulièrement juste au-dessous de la porte.

Ne pas nettoyer les surfaces internes du lave-vaisselle avant qu'elles aient refroidi. Vous voudrez peut-être porter des gants en caoutchouc. Ne pas utiliser un produit de nettoyage autre que le détergent pour lave-vaisselle car cela pourrait provoquer un excès de mousse.

Nettoyage des surfaces internes

Faire une pâte avec un détergent pour lave-vaisselle en poudre sur une éponge humide et nettoyer.

OU

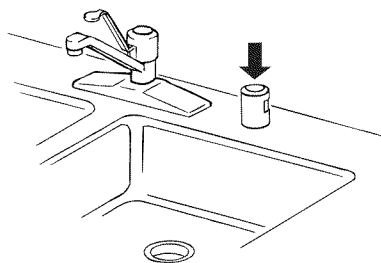
Utiliser un détergent liquide pour lave-vaisselle automatique, et nettoyer avec une éponge humide.

OU

Voir la méthode de rinçage au vinaigre dans "Vaisselle contenant des traces ou des taches" de la section "Dépannage."

REMARQUE : Effectuer un programme de lavage normal avec détergent pour lave-vaisselle après avoir nettoyé l'intérieur.

Dispositif de brise-siphon



Certains codes de plomberie provinciaux ou locaux exigent l'installation d'un dispositif de brise-siphon entre un lave-vaisselle encastré et le système de vidange du domicile. Inspecter le dispositif de brise-siphon lorsque votre lave-vaisselle ne se vidange pas bien.

Le dispositif de brise-siphon se trouve généralement sur le dessus de l'évier ou du comptoir près du lave-vaisselle. Pour commander un brise-siphon, composer le 1-800-4-MY-HOME®. Demander la pièce n° 300096.

REMARQUE : Le dispositif de brise-siphon est un article de plomberie externe qui ne fait pas partie de votre lave-vaisselle. La garantie fournie avec le lave-vaisselle ne couvre pas les coûts de réparation directement associés au nettoyage ou à la réparation d'un dispositif de brise-siphon externe.

Nettoyage du dispositif de brise-siphon

Nettoyer le dispositif de brise-siphon périodiquement pour assurer une vidange adéquate du lave-vaisselle. Pour la plupart des brise-siphons, il faut soulever le couvercle chromé. Dévisser le couvercle en plastique. Vérifier ensuite qu'il n'y a pas accumulation de saletés. Nettoyer au besoin.

Vacances ou longue période d'inutilisation

Pour réduire le risque de dommages matériels

- Si le lave-vaisselle n'est pas utilisé pendant l'été, couper l'arrivée d'eau et l'alimentation électrique du lave-vaisselle.
- S'assurer que les tuyaux d'alimentation en eau sont protégés contre le gel. La formation de glace dans les canalisations d'arrivée d'eau peut entraîner une élévation de la pression en eau et endommager le lave-vaisselle ou le domicile. La garantie de l'appareil ne couvre pas les dommages imputables au gel.
- Lors du remisage du lave-vaisselle pendant l'hiver, éviter tout dommage lié à l'eau en faisant hiverner le lave-vaisselle par un dépanneur agréé.

DÉPANNAGE

CONTRÔLER LES POINTS SUIVANTS POUR GAGNER DU TEMPS ET FAIRE DES ÉCONOMIES.

PROBLÈME	SOLUTION
LE LAVE-VAISSELLE NE FONCTIONNE PAS	<p>REMARQUE : Il est normal que le lave-vaisselle fasse des pauses répétées au cours d'un programme.</p> <p>Si le témoin lumineux Start/Resume (mise en marche/reprise) clignote, fermer la porte et appuyer sur START/RESUME ou appuyer sur START/RESUME (mise en marche/reprise) et fermer la porte dans les 3 secondes.</p> <p>Vérifier que la porte est fermée et verrouillée.</p> <p>Vérifier que le fonctionnement du système de lavage à l'arrière du lave-vaisselle n'est pas entravé par de grands plats à mets en sauce. Ajuster le chargement si nécessaire pour que la porte puisse se fermer et se verrouiller.</p> <p>S'assurer que la caractéristique Control/Lock (Commandes/verrouillage) est désactivée. (l'indicateur Control/Lock est allumé).</p> <p>Vérifier qu'un programme a été sélectionné. (Voir "Informations sur les programmes et les options".)</p> <p>Vérifier que le lave-vaisselle est branché. Un disjoncteur ou un fusible peut s'être déclenché.</p> <p>Si des témoins lumineux autres que le témoin Start/Resume clignotent et que l'appareil ne fonctionne pas, faire un appel de service.</p>
IL RESTE DU DÉTERGENT DANS LE DISTRIBUTEUR OU LA PASTILLE EST RESTÉE AU FOND DE LA CUVE	<p>Vérifier que des articles comme les plaques à biscuits, les planches à découper ou les grands récipients, etc. n'empêchent pas le distributeur de détergent de s'ouvrir correctement.</p> <p>Vérifier que le détergent est frais et ne contient pas de grumeau.</p> <p>S'assurer que le programme est terminé. L'indicateur Complete (terminé) est éclairé sur l'affichage, et le témoin lumineux de la façade (sur certains modèles) est éteint. Si le programme n'est pas terminé, il faut le faire reprendre. Fermer la porte et appuyer sur START/RESUME (mise en marche/reprise), ou appuyer sur START/RESUME et fermer la porte dans les 3 secondes.</p>
LE PROGRAMME FONCTIONNE TROP LONGTEMPS	<p>REMARQUES :</p> <ul style="list-style-type: none">■ Pour utiliser moins d'eau et réduire la consommation d'énergie, il existe des programmes qui fonctionnent en général jusqu'à 3 heures. Afin de consommer moins d'eau pour laver la vaisselle, le lave-vaisselle doit fonctionner plus longtemps. Le lave-vaisselle consomme moins d'énergie pour fonctionner que votre chauffe-eau en consomme pour chauffer l'eau utilisée par le lave-vaisselle.■ Un réglage du chauffage de l'eau à 120°F (49°C) est idéal. Le lave-vaisselle mettra plus longtemps à démarrer le programme s'il doit chauffer une eau de température inférieure.■ Certaines options prolongeront le programme. (Voir la section "Informations sur les programmes et les options".) <p>Essayer le programme 1 Hour Wash (lavage en 1 heure). Le programme de lavage en 1 heure consomme davantage d'énergie et d'eau pour nettoyer la vaisselle plus rapidement.</p> <p>Faire couler l'eau chaude au niveau d'un robinet proche du lave-vaisselle avant de démarrer le programme.</p>

PROBLÈME	SOLUTION
LE LAVE-VAISSELLE NE SÈCHE PAS	<p>REMARQUE : Le plastique et les articles à surface anti-adhésive sont difficiles à sécher car leur surface est poreuse et a tendance à retenir les gouttelettes d'eau. Un séchage au torchon peut être nécessaire.</p> <p>L'utilisation d'un agent de rinçage avec l'option Turbo Heat Dry (séchage avec chaleur turbo) est nécessaire pour un séchage correct.</p> <p>Un bon chargement des articles peut affecter le séchage. (Voir les instructions spécifiques de chargement dans ce guide.)</p> <p>Les verres et les tasses à fond concave retiennent l'eau. Cette eau peut éclabousser d'autres articles lors du déchargement.</p> <ul style="list-style-type: none"> ■ Décharger le panier inférieur en premier. ■ Placer ces articles sur le côté le plus incliné du panier pour obtenir de meilleurs résultats.
PAS DE REMPLISSAGE	<p>Vérifier que le robinet d'eau d'alimentation du lave-vaisselle est ouvert.</p> <p>Vérifier l'absence d'obstruction du flotteur. (Voir "Pièces et caractéristiques".)</p> <p>Vérifier l'absence de mousse dans le lave-vaisselle. En cas de présence de mousse, le lave-vaisselle peut ne pas fonctionner correctement ou ne pas se remplir d'eau.</p>
IL RESTE DE L'EAU DANS LA CUVE/PAS DE VIDANGE	<p>S'assurer que le programme est terminé. L'indicateur Complete (terminé) est éclairé sur l'affichage, et le témoin lumineux de la façade (sur certains modèles) est éteint. Si le programme n'est pas terminé, il faudra le faire reprendre en fermant la porte et en appuyant sur START/RESUME (mise en marche/reprise), ou bien en appuyant sur START/RESUME et en fermant la porte dans les 3 secondes.</p> <p>Si le lave-vaisselle est relié à un broyeur de déchets, vérifier que le bouchon d'obturation a été retiré de l'orifice du broyeur.</p> <p>Vérifier l'absence de déformation sur le tuyau de vidange.</p> <p>Vérifier l'absence d'obstructions par des aliments dans le système d'évacuation ou le broyeur.</p> <p>Vérifier le fusible ou le disjoncteur du domicile.</p> <p>Retirer et nettoyer les filtres ULTRA WASH[®], et vérifier qu'il n'y ait aucune accumulation d'aliments en-dessous.</p>
EAU DURE (RÉSIDU BLANC SUR L'INTÉRIEUR DU LAVE-VAISSELLE OU SUR LA VERRERIE)	<p>REMARQUE : Des dépôts minéraux d'une eau très dure peuvent endommager le lave-vaisselle et rendre un bon nettoyage difficile. Vous pouvez apporter des échantillons d'eau à Sears pour vérifier le degré de dureté de votre eau. Un adoucisseur d'eau est vivement recommandé si la dureté est de 15 grains ou plus. En l'absence d'un adoucisseur d'eau, les étapes suivantes peuvent aider :</p> <p>Utiliser un nettoyant commercial conçu pour les lave-vaisselle une fois par mois.</p> <p>Nettoyer les filtres ULTRAWASH^{® HE} au moins une fois par mois.</p> <p>Toujours utiliser un agent de rinçage.</p> <p>Toujours utiliser un détergent frais de haute qualité (pastille ou sachet) pour une meilleure performance. Utiliser un stimulant de détergent/adoucisseur d'eau conçu pour les lave-vaisselle.</p>
ODEURS	<p>REMARQUE : Si le lave-vaisselle n'est pas utilisé quotidiennement, on peut effectuer un cycle de rinçage avec une charge partielle jusqu'à ce qu'on ait une charge complète à laver.</p> <p>Effectuer un rinçage au vinaigre au lave-vaisselle en mettant 2 tasses (500 mL) de vinaigre blanc dans un verre à mesurer placé debout dans le panier inférieur. Exécuter un programme normal après avoir désactivé l'option Turbo Heat Dry (séchage avec chaleur turbo). Ne pas utiliser de détergent.</p> <p>Le lave-vaisselle peut ne pas se vidanger correctement, voir "IL RESTE DE L'EAU DANS LA CUVE/PAS DE VIDANGE" à la section "Dépannage".</p>

PROBLÈME	SOLUTION
BRUYANT	<p>REMARQUES :</p> <ul style="list-style-type: none"> ■ Des bruits de pompage peuvent se produire régulièrement pendant le programme alors que le lave-vaisselle se vidange. ■ On peut entendre régulièrement un sifflement du robinet d'eau; ceci est normal. ■ On peut entendre un bruit d'enclenchement lorsque le distributeur de détergent s'ouvre pendant le programme et lorsque la porte est ouverte à la fin du programme; ceci est normal. ■ Une installation incorrecte affectera les niveaux de bruit. <p>Vérifier que les filtres sont bien installés.</p> <p>On peut entendre un bruit sourd si des articles dépassent des paniers et touchent les pales de lavage.</p>
IL RESTE DES SALETÉS ALIMENTAIRES SUR LA VAISSELLE	<p>Vérifier que le lave-vaisselle est correctement chargé. Un chargement incorrect peut réduire considérablement la performance de lavage (voir "Chargement pour un nettoyage et un séchage idéaux").</p> <p>Inspecter le filtre pour s'assurer qu'il est bien installé. Nettoyer au besoin. (Voir "Instructions de nettoyage" dans "Système de filtration ULTRAWASH[®] HE " pour plus de détails.)</p> <p>Sélectionner le programme et les options appropriés au type de saletés. Le programme Pots & Pans (casseroles et poêles) avec l'option TurboZone[®] (sur certains modèles) peut être utilisé pour les charges plus difficiles à nettoyer.</p> <p>Vérifier que la température d'eau entrante est d'au moins 120°F (49°C).</p> <p>Utiliser la bonne quantité de détergent frais. Un supplément de détergent est nécessaire pour les charges très sales et en présence d'une eau dure.</p> <p>Éliminer les aliments sur la vaisselle en la grattant avant de la charger (ne pas pré-rincer).</p>
PAS D'ASSAINISSEMENT	<p>Si le témoin lumineux d'assainissement clignote, la charge n'est <i>PAS</i> assainie. Le programme a été interrompu lors du rinçage final, ou le dispositif de chauffage de l'eau est à un réglage trop faible. Régler le dispositif de chauffage de l'eau à 120°F (49°C).</p>
DOMMAGES À LA VAISSELLE	<p>Un chargement incorrect peut écailler ou endommager la vaisselle. (Voir les instructions spécifiques de chargement dans ce guide.)</p>
TÉMOINS LUMINEUX CLIGNOTANTS	<p>Si le témoin Start/Resume (mise en marche/reprise) ou un autre témoin clignote et que le lave-vaisselle ne fonctionne pas, fermer la porte et appuyer sur START/RESUME ou appuyer sur START/RESUME et fermer la porte dans les 3 secondes. Si le lave-vaisselle ne fonctionne toujours pas, appeler le service de dépannage.</p>
VAISSELLE CONTENANT DES TRACES OU DES TACHES (ET SOLUTION POUR L'EAU DURE)	<p>REMARQUES :</p> <ul style="list-style-type: none"> ■ Un agent de rinçage liquide, en plus des pastilles ou sachets tout-en-un, est nécessaire pour le séchage et pour réduire les taches. ■ Utiliser la bonne quantité de détergent. <p>Confirmer que les traces peuvent s'enlever en trempant l'article dans du vinaigre blanc pendant 5 minutes. Si les traces disparaissent, ceci est dû à l'eau dure. Ajuster la quantité de détergent et d'agent de rinçage. Voir "EAU DURE (RÉSIDU BLANC SUR L'INTÉRIEUR DU LAVE-VAISSELLE OU SUR LA VERRERIE)" dans la section "Dépannage". Si les traces ne disparaissent pas, elles sont dues à des attaques (voir ci-dessous).</p> <p>Vérifier que la température d'eau entrante est réglée à 120°F (49°C).</p> <p>Essayer d'utiliser les options High Temp (température élevée) et Sani Rinse (rinçage par assainissement).</p> <p>Pour enlever les taches, effectuer un rinçage au vinaigre dans le lave-vaisselle.</p> <ul style="list-style-type: none"> ■ Laver et rincer la vaisselle affectée et la charger dans le lave-vaisselle. Enlever tous les couverts et les articles métalliques. Mettre 2 tasses (500 mL) de vinaigre blanc dans un verre à mesurer dans le panier inférieur. Exécuter un programme normal après avoir désactivé l'option Turbo Heat Dry (séchage avec chaleur turbo). Aucun détergent n'est nécessaire.

PROBLÈME	SOLUTION
ATTAQUES (TRACES PERMANENTES)	<p>Il y a une érosion de la surface de l'article en verre, qui peut être provoquée par un mélange : de l'eau trop chaude, de l'utilisation de trop de détergent avec une eau douce ou par un prélavage. Le détergent a besoin de saletés d'aliments pour agir. En cas d'attaque, l'article en verre est définitivement abîmé. Pour éviter d'autres attaques, ajuster la quantité de détergent selon la dureté de l'eau, arrêter le prélavage et utiliser des options de chauffage de l'eau uniquement lorsque la température de l'eau entrante est inférieure à 120°F (49°C).</p>
FUITES D'EAU	<p>Vérifier que le lave-vaisselle a été correctement installé et qu'il est d'aplomb.</p> <p>La mousse peut faire déborder le lave-vaisselle. Mesurer le détergent précisément et utiliser uniquement des détergents conçus pour lave-vaisselle. Moins de détergent est nécessaire dans de l'eau douce. Essayer une autre marque de détergent si l'excès de mousse persiste.</p> <p>Pour éviter les fuites d'agent de rinçage du distributeur, vérifier que le couvercle est bien fixé et éviter de trop le remplir.</p>
LA CUVE EST DÉCOLORÉE	<p>REMARQUES :</p> <ul style="list-style-type: none"> ■ Une teneur en fer importante dans l'eau peut décolorer la cuve. ■ Les aliments à base de tomate peuvent décolorer la cuve ou la vaisselle. ■ Un produit à base d'agrumes peut être utilisé pour le nettoyage.

NOTES

Get it fixed, at your home or ours!

Your Home

For troubleshooting, product manuals and expert advice:



www.managemylife.com

For repair – **in your home** – of **all** major brand appliances, lawn and garden equipment, or heating and cooling systems, **no matter who made it, no matter who sold it!**

For the replacement parts, accessories and owner's manuals that you need to do-it-yourself.

For Sears professional installation of home appliances and items like garage door openers and water heaters.

1-800-4-MY-HOME[®] (1-800-469-4663)

Call anytime, day or night (U.S.A. and Canada)

www.sears.com www.sears.ca

Our Home

For repair of carry-in items like vacuums, lawn equipment, and electronics, call anytime for the location of your nearest

Sears Parts & Repair Service Center

1-800-488-1222 (U.S.A.) **1-800-469-4663** (Canada)

www.sears.com

www.sears.ca

To purchase a protection agreement on a product serviced by Sears:

1-800-827-6655 (U.S.A.)

1-800-361-6665 (Canada)

Para pedir servicio de reparación a domicilio, y para ordenar piezas:

1-888-SU-HOGAR[®]

(1-888-784-6427)

www.sears.com

Au Canada pour service en français:

1-800-LE-FOYER^{MC}

(1-800-533-6937)

www.sears.ca

The Sears logo, consisting of the word "sears" in a lowercase, sans-serif font.