

Use & Care Guide
Guide d'Utilisation et d'Entretien
English / Français

Models/Modèles: 795.7313*

Kenmore Elite[®]

Bottom Freezer Refrigerator

Congélateur Inférieur Réfrigérateur

* = color number, le numéro de la couleur

MFL67227105

Sears Brands Management Corporation
Hoffman Estates, IL 60179 U.S.A.
www.kenmore.com
www.sears.com

Sears Canada Inc.
Toronto, Ontario, Canada M5B 2C3
www.sears.ca



TABLE OF CONTENTS

Warranty	3	► Freezer Section	
Protection Agreements	4	Extra Ice Bin	27
Important Safety Instructions	5-7	Durabase	27
Electrical & Grounding Requirements	7	Durabase Divider	27
Parts and Features	8	Pullout Drawer	28
Refrigerator Installation	9-16	Water Filter	29-32
Unpacking Your Refrigerator.....	9	Care And Cleaning	33-34
Installation	10	General Cleaning Tips	33
Removing/Replacing Your Refrigerator and Freezer Handles and Doors	11-15	Outside	33
Leveling and Door Alignment	16	Inside Walls	33
Using Your Refrigerator	17-27	Door Liner And Gaskets.....	33
Setting the Controls	17-18	Plastic Parts.....	33
In-Door Ice Bin	19	Condenser Coils.....	33
Automatic Icemaker.....	20-21	Light Bulb Replacement	34
Food Storage Guide	22	Power Interruptions	34
► Refrigerator Section		When You Go On Vacation	34
Water Dispenser	23	When You Move.....	34
Refrigerator Shelves.....	24	Connecting the Water Line	35-37
Humidity Controlled Crisper.....	25	Troubleshooting Guide	38-44
Temperature Controlled Pantry Drawer	25	Kenmore Connect™ System	45
Door Bin	26	Service	Back Cover
Dairy Bin	26		
Air Filter	26		

WARRANTY



REFRIGERATOR WARRANTY

Kenmore Elite Limited Warranty

WITH PROOF OF SALE, the following warranty coverage applies when this appliance is correctly installed, operated and maintained according to all supplied instructions. To arrange for warranty service, call: 1-800-4-MY-HOME® (1-800-469-4663)

- FOR ONE YEAR from the date of sale this appliance is warranted against defects in material or workmanship. A defective appliance will receive free repair or replacement at option of seller. This warranty coverage applies for only 90 days from the sale date in the United States, and is void in Canada, if the appliance is ever used for other than private household purposes.
- FOR FIVE YEARS from the date of sale, the sealed refrigerant system of this appliance is warranted against defects in material or workmanship. New system components will be supplied for defective ones free of charge. You are responsible for the labor cost of component installation after the first year from the sale date. This warranty coverage applies for only one year from the sale date in the United States, and is void in Canada, if the appliance is ever used for other than private household purposes.
- FOR TEN YEARS from the date of sale, the linear compressor of this appliance is warranted against defects in material or workmanship. A new linear compressor will be supplied free of charge. You are responsible for the labor cost of installation after the first year from the date of purchase. This warranty coverage applies for only two years from the sale date in the United States, and is void in Canada, if the appliance is ever used for other than private household purposes.

This warranty covers ONLY defects in material and workmanship, and will NOT pay for:

1. Expendable items that can wear out from normal use, including but not limited to filters, belts, screw-in base light bulbs and bags.
2. A service technician to instruct the user in correct product installation, operation or maintenance.
3. A service technician to clean or maintain this product.
4. Damage to or failure of this product if it is not installed, operated or maintained according to all instructions supplied with the product.
5. Damage to or failure of this product resulting from accident, abuse, misuse or use for other than its intended purpose.
6. Damage to or failure of this product caused by the use of detergents, cleaners, chemicals or utensils other than those recommended in all instructions supplied with the product.
7. Damage to or failure of parts or systems resulting from unauthorized modifications made to this product.

Disclaimer of implied warranties; limitation of remedies

Customer's sole and exclusive remedy under this limited warranty shall be product repair or replacement as provided herein. Implied warranties, including warranties of merchantability or fitness for a particular purpose, are limited to one year or the shortest period allowed by law. Seller shall not be liable for incidental or consequential damages. Some states and provinces do not allow the exclusion or limitation of incidental or consequential damages, or limitation on the duration of implied warranties of merchantability or fitness, so these exclusions or limitations may not apply to you.

This warranty applies only while this appliance is used in the United States or Canada*.

This warranty gives you specific legal rights, and you may also have other rights which vary from state to state.

* In-home repair service is not available in all Canadian geographical areas, nor will this warranty cover user or service travel and transportation expenses if this product is located in a remote area (as defined by Sears Canada Inc.) where an authorized service is not available.

**Sears Brands Management Corporation, Hoffman Estates, IL 60179
Sears Canada Inc., Toronto, Ontario, Canada M5B 2C3**

PROTECTION AGREEMENTS

Master Protection Agreements

Congratulations on making a smart purchase. Your new Kenmore Elite® product is designed and manufactured for years of dependable operation. But like all products, it may require preventive maintenance or repair from time to time. That's when having a Master Protection Agreement can save you money and aggravation.

The Master Protection Agreement also helps extend the life of your new product. Here's what the Agreement* includes:

- **Parts and labor** needed to help keep products operating properly **under normal use**, not just defects. Our coverage goes **well beyond the product warranty**. No deductibles, no functional failure excluded from coverage— **real protection**.
- **Expert service** by a force of more than **10,000 authorized Sears service technicians**, which means someone you can trust will be working on your product.
- **Unlimited service calls and nationwide service**, as often as you want us, whenever you want us.
- **"No-lemon" guarantee** – replacement of your covered product if four or more product failures occur within twelve months.
- **Product replacement** if your covered product can't be fixed.
- **Annual Preventive Maintenance Check** at your request – no extra charge.
- **Fast help by phone** – we call it **Rapid Resolution** – phone support from a Sears representative on all products. Think of us as a "talking owner's manual."

- **Power surge protection** against electrical damage due to power fluctuations.
- **\$250 Food Loss Protection** annually for any food spoilage that is the result of mechanical failure of any covered refrigerator or freezer.
- **Rental reimbursement** if repair of your covered product takes longer than promised.
- **25% discount** off the regular price of any non-covered repair service and related installed parts.

Once you purchase the Agreement, a simple phone call is all that it takes to schedule service. You can call at any time day or night, or schedule a service appointment online.

The Master Protection Agreement is a risk free purchase. If you cancel for any reason during the product warranty period, we will provide a full refund or a prorated refund anytime after the product warranty period expires. Purchase your Master Protection Agreement today!

Some limitations and exclusions apply.

For prices and additional information in the U.S.A. call 1-800-827-6655.

*** Coverage in Canada varies on some items. For full details call Sears Canada at 1-800-361-6665.**

Sears Installation Service

For Sears professional installation of home appliances, garage door openers, water heaters, and other major home items, in the **U.S.A. or Canada call 1-800-4-MY-HOME®**.

PRODUCT RECORD

In the space below, record the date of purchase, model and serial number of your product. You will find the model and serial number printed on an identification label located on the interior liner of the refrigerator compartment. Have these items of information available whenever you contact Sears concerning your product.

Model No. _____

Date of Purchase _____

Serial No. _____

Save these instructions and attach your sales receipt for future reference.

IMPORTANT SAFETY INSTRUCTIONS

BASIC SAFETY PRECAUTIONS

This guide contains many important safety messages. Always **read and obey** all safety messages.



This is the safety alert symbol. It alerts you to safety messages that inform you of hazards that can kill or hurt you or others, or cause damage to the product.

All safety messages will be preceded by the safety alert symbol and the hazard signal word **DANGER**, **WARNING** or **CAUTION**. These words mean:

! DANGER

You **will** be killed or seriously injured if you do not follow instructions.

! WARNING

You **can** be killed or seriously injured if you do not follow instructions.

! CAUTION

Indicates an imminently hazardous situation which, if not avoided, **may** result in minor or moderate injury, or product damage.

All safety messages will identify the hazard, tell you how to reduce the chance of injury, and tell you what can happen if the instructions are not followed.

! WARNING

To reduce the risk of fire, electric shock, or personal injury when using your product, basic safety precautions should be followed, including the following.

Read all instructions before using this appliance.

- NEVER unplug your refrigerator by pulling on the power cord. Always grip the plug firmly and pull it straight out from the outlet.
- Immediately repair or replace all power cords that have become frayed or otherwise damaged. Do not use a cord that shows cracks or abrasion damage along its length or at either the plug or connector end.
- Do not modify or extend the power cord length. It could cause electric shock or fire.
- When moving your refrigerator away from the wall, be careful not to roll over or damage the power cord.

- DO NOT store or use gasoline or other flammable vapors and liquids in the vicinity of this or any other appliance.
- DO NOT allow children to climb, stand, or hang on the refrigerator doors or shelves in the refrigerator. They could damage the refrigerator and seriously injure themselves.
- Keep fingers out of pinch point areas; clearances between the doors and cabinets are necessarily small. Be careful closing doors when children are in the area.
- Unplug your refrigerator before cleaning or making any repairs.

NOTE: It is strongly recommended that any service be performed by a qualified technician.

SAVE THESE INSTRUCTIONS

⚠ WARNING

- Before replacing a burned-out or broken light bulb, unplug the refrigerator or turn off power at the circuit breaker or fuse box in order to avoid contact with a live wire filament. (A burned-out light bulb may break when being replaced exposing the wire filament.)

NOTE: Some models have LED interior lighting and service should be performed by a qualified technician.

⚠ WARNING: Setting either or both controls to the OFF position does not remove power to the light circuit.

- When you are finished, reconnect the refrigerator to the electrical source and reset the controls (Thermostat, Refrigerator Control, and or Freezer Control, depending on the model) to the desired setting.
- This refrigerator must be properly installed in accordance with the **Attention Installer Instructions** that were taped to the front of the refrigerator.
- After your refrigerator is in operation, do not touch the cold surfaces in the freezer compartment when hands are damp or wet. Skin may adhere to the extremely cold surfaces.

- DO NOT touch the automatic ice making mechanism while the refrigerator is plugged in.
- DO NOT refreeze frozen foods which have thawed completely. The United States Department of Agriculture in Home and Garden Bulletin No. 69 says:

...You may safely refreeze frozen foods that have thawed if they still contain ice crystals or if they are still cold—below 4°C.

...Thawed ground meats, poultry or fish that have any off-odor or off-color should not be refrozen and should not be eaten. Thawed ice cream should be discarded. If the odor or color of any food is poor or questionable, dispose of it. The food may be dangerous to eat.

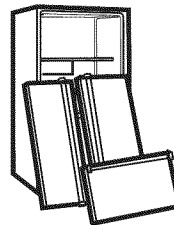
Even partial thawing and refreezing reduces the eating quality of foods, particularly fruits, vegetables and prepared foods. The eating quality of red meats is affected less than that of many other foods. Use refrozen foods as soon as possible to save as much of their quality as you can.

⚠ WARNING: This product contains chemicals known to the State of California to cause cancer and birth defects or other reproductive harm. ***Wash hands after handling.***

SAVE THESE INSTRUCTIONS

⚠ DANGER: RISK OF CHILD ENTRAPMENT

Junked or abandoned refrigerators are dangerous, even if they are sitting for only a few days. If you are getting rid of your old refrigerator, please follow the instructions at right to help prevent accidents (child entrapment and suffocation).



BEFORE YOU THROW AWAY YOUR OLD REFRIGERATOR OR FREEZER:

- Take off the doors.
- Leave the shelves in place so that children may not easily climb inside.

CFC/HCFC DISPOSAL

Your old refrigerator may have a cooling system that used CFCs or HCFCs (chlorofluorocarbons or hydrochlorofluorocarbons). CFCs and HCFCs are believed to harm stratospheric ozone if released to the atmosphere. Other refrigerants may also cause harm to the environment if released to the atmosphere.

If you are throwing away your old refrigerator, make sure the refrigerant is removed for proper disposal by a qualified technician. If you intentionally release refrigerant, you may be subject to fines and imprisonment under provisions of environmental legislation.

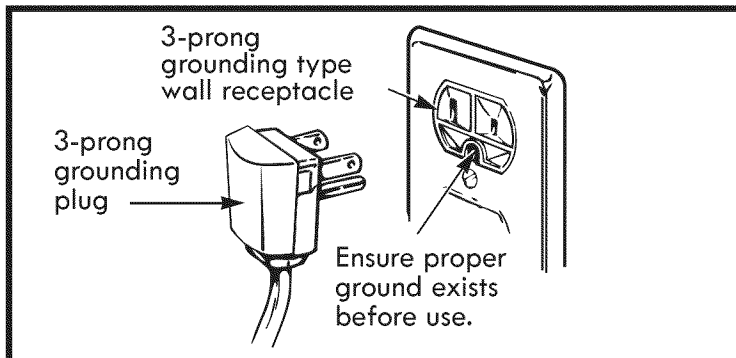
ELECTRICAL & GROUNDING REQUIREMENTS

IMPORTANT: Please read carefully.
TO CONNECT ELECTRICITY

! WARNING

Electrical Shock Hazard

FOR PERSONAL SAFETY, this appliance must be properly grounded. Have the wall outlet and the circuit checked by a qualified electrician to make sure the outlet is properly grounded.



RECOMMENDED GROUNDING METHOD

The refrigerator should always be plugged into its own individual properly grounded electrical outlet rated for 115 Volts, 60 Hz, AC only, and fused at 15 or 20 amperes. This provides the best performance and also prevents overloading house wiring circuits which could cause a fire hazard from overheated wires. It is recommended that a separate circuit serving only this appliance be provided.

Use a receptacle that cannot be turned off with a switch or pull chain. Do not use an extension cord.

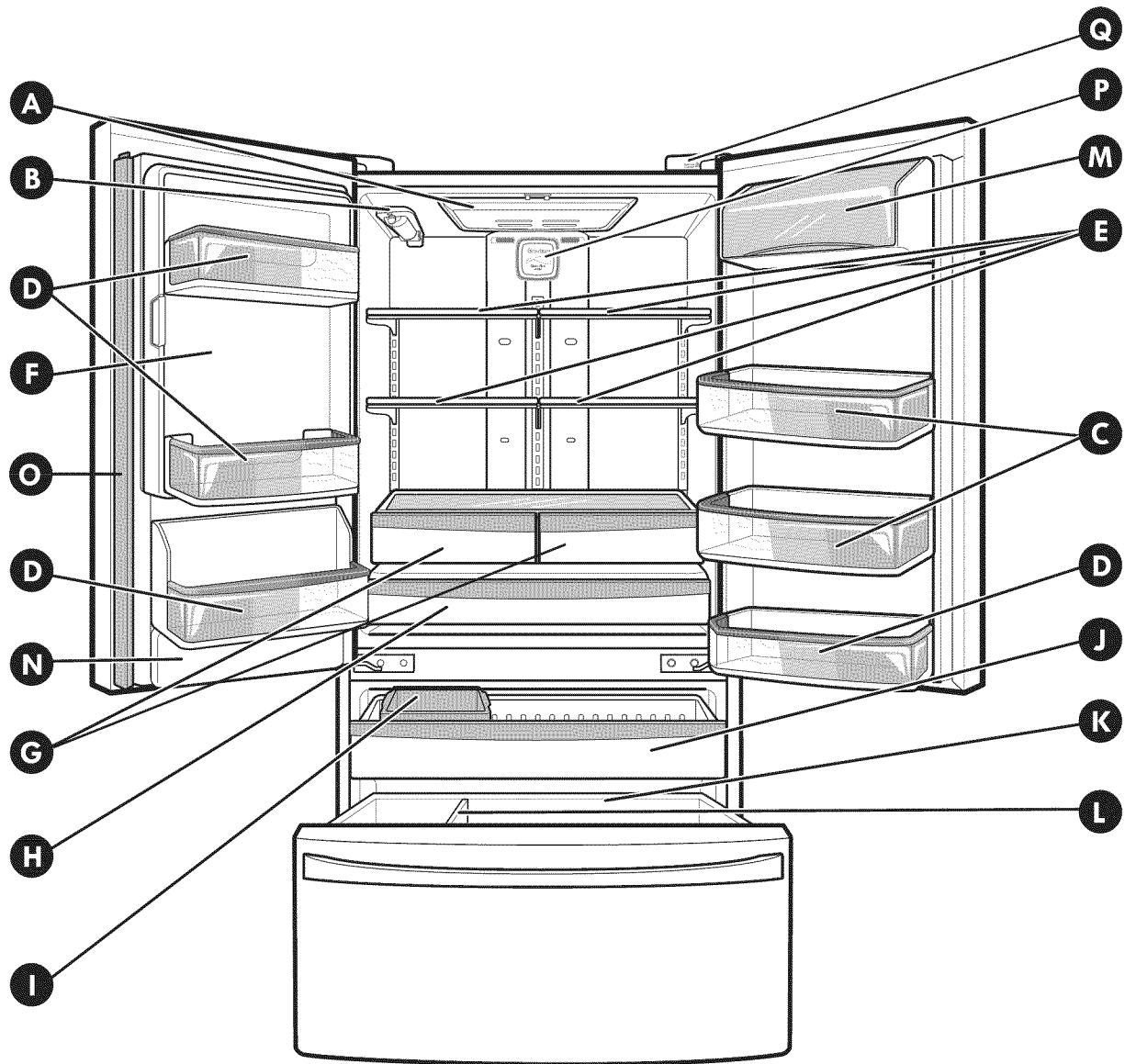
Where a standard two-prong wall outlet is encountered, it is your personal responsibility and obligation to have it replaced with a properly grounded three-prong wall outlet.

USE OF EXTENSION CORDS

Because of potential safety hazards under certain conditions, the use of an extension cord is not recommended. However, if you still elect to use an extension cord, it is absolutely necessary that it be a UL-listed (USA), 3-wire grounding type appliance extension cord having a grounding type plug and outlet, and that the electrical rating of the cord be 15 amperes (minimum) and 120 volts.

Use of an extension cord will increase the clearance needed for the back of the refrigerator.

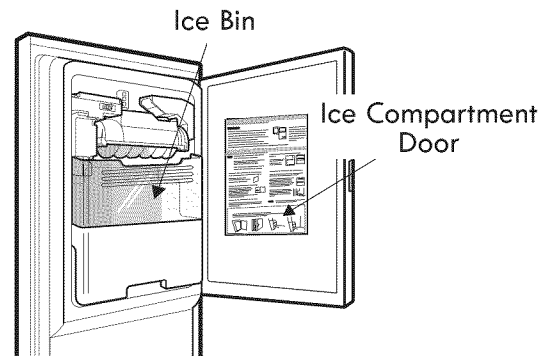
PARTS AND FEATURES



Use this page to become more familiar with the parts and features of your refrigerator.

NOTE: This guide covers several different models. The refrigerator you have purchased may have some or all of the items listed below. The locations of the features shown below may not match your model.

- A** Refrigerator Light
- B** Water Filter (Inside)
- C** Adjustable Door Bins
- D** Fixed Door Bins
- E** Refrigerator Shelves
- F** Ice Compartment (Icemaker and Ice Bin)
- G** Humidity Controlled Crisper
- H** Temperature Controlled Pantry Drawer
- I** Extra Ice Bin
- J** Pullout Drawer
- K** Durabase
- L** Durabase Divider
- M** Dairy Bin
- N** Water Tank Cover
- O** Articulating Mullion
- P** Air Filter
- Q** Kenmore Connect™ Speaker



REFRIGERATOR INSTALLATION

WARNING

Excessive Weight Hazard:

Use two or more people to move and install the refrigerator. Failure to do so can result in back or other injury.

WARNING

Excessive Weight Hazard:

Your refrigerator is heavy. When moving the refrigerator for cleaning or service, be sure to protect the floor. Always pull the refrigerator straight out when moving it. Do not wiggle or walk the refrigerator when trying to move it, as floor damage could occur.

UNPACKING YOUR REFRIGERATOR

Remove tape and any temporary labels from your refrigerator before using. Do not remove any warning-type labels, the model and serial number label, or the Tech Sheet that is located under the front of the refrigerator, behind the base grille.

To remove any remaining tape or glue, rub the area briskly with your thumb. Tape or glue residue can also be easily removed by rubbing a small amount of liquid dish soap over the adhesive with your fingers. Wipe with warm water and dry.

Do not use sharp instruments, rubbing alcohol, flammable fluids, or abrasive cleaners to remove tape or glue. These products can damage the surface of your refrigerator.

Refrigerator shelves are installed in the shipping position. Please reinstall shelves according to your individual storage needs.

WARNING

Explosion Hazard:

Keep flammable materials and vapors, such as gasoline, away from the refrigerator. Failure to do so can result in fire, explosion, or death.

PRIOR TO USE

1. Clean your refrigerator thoroughly and wipe off all dust that accumulated during shipping.
2. Install accessories such as ice cube bin, drawers, shelves, etc., in their proper places. They are packed together to prevent possible damage during shipment.
3. Allow your refrigerator to run for at least two to three hours before putting food in it. Check the flow of cold air in the freezer compartment to ensure proper cooling. Your refrigerator is now ready for use.

INSTALLATION

The refrigerator should always be plugged into its own individual properly grounded electrical outlet rated for 115 Volts, 60 Hz, AC only, and fused at 15 or 20 amperes. This provides the best performance and also prevents overloading house wiring circuits which could cause a fire hazard from overheated wires. It is recommended that a separate circuit serving only this appliance be provided.

WARNING

Shock Hazard:

To reduce the risk of electric shock, do not install the refrigerator in a wet or damp area.

INSTALLATION (continued)

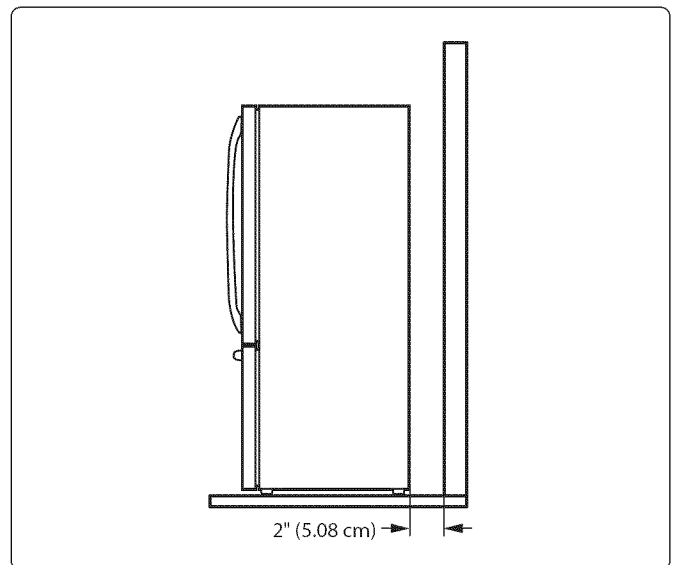
1. To avoid noise and vibration, the unit must be leveled and installed on a solidly constructed floor. If required, adjust the leveling legs to compensate for unevenness of the floor. The front should be slightly higher than the rear to aid in door closing. Leveling legs can be turned easily by tipping the cabinet slightly. Turn the leveling legs clockwise to raise the unit or counterclockwise to lower it. (See **LEVELING AND DOOR ALIGNMENT**.)

NOTE: Installing on carpeting, soft tile surfaces, a platform or weakly supported structure is not recommended.

2. Install this appliance in an area where the temperature is between 55°F (13°C) and 110°F (43°C). If the temperature around the appliance is too low or high, cooling ability may be adversely affected.
3. Select a place where a water supply can be easily connected for the automatic icemaker.

NOTE: The water pressure must be between 20 and 120 psi on models without a water filter and between 40 and 120 psi on models with a water filter.

4. Too small of a distance from adjacent items may result in lowered freezing capability and increased electricity consumption charges. Allow at least 24 inches (61 cm) in front of the refrigerator to open the doors.



NOTE: Removing the doors is the recommended procedure when it is necessary to move the refrigerator through a narrow opening. If it is necessary to remove the handles, follow the directions below.

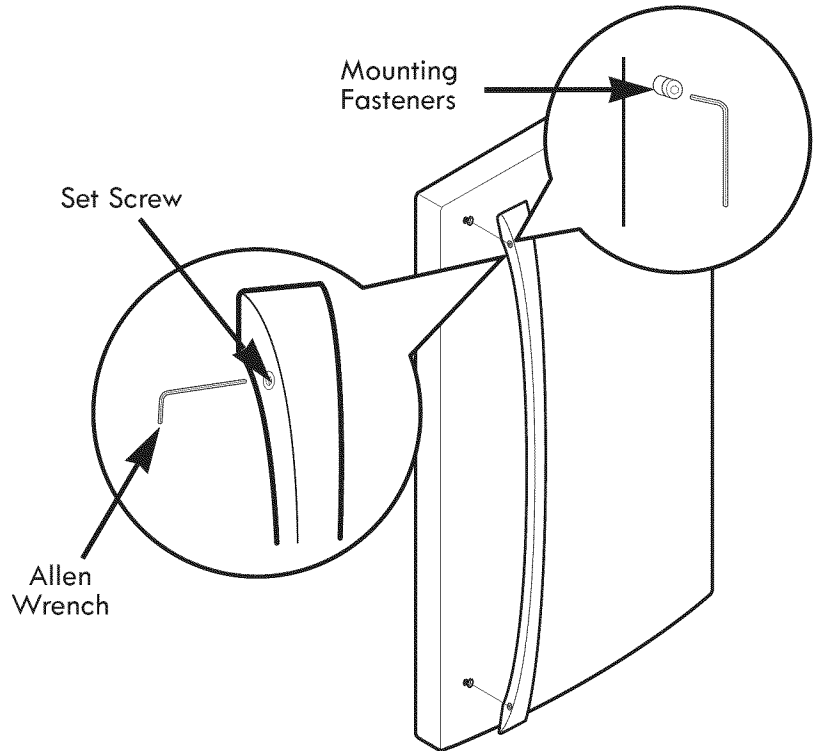
HOW TO REMOVE REFRIGERATOR DOOR HANDLE

NOTE: Handle appearance may vary from the illustrations on this page.

Removing Refrigerator Handle

Loosen the set screws with a $\frac{3}{32}$ in. (2.5 mm) Allen wrench and remove the handle.

NOTE: If the handle mounting fasteners need to be tightened or removed, use a $\frac{1}{4}$ in. (6.4 mm) Allen wrench.



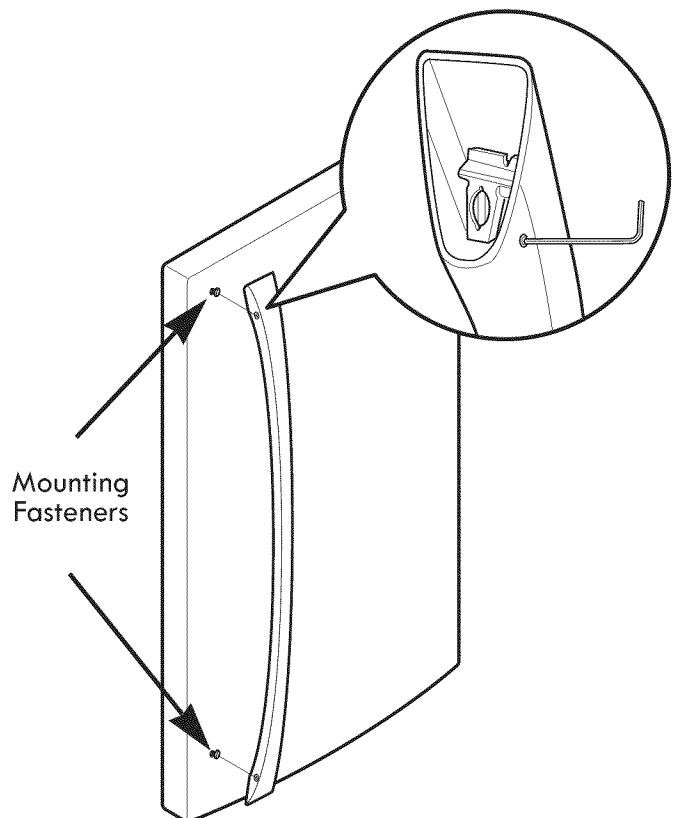
HOW TO REPLACE REFRIGERATOR DOOR HANDLE

NOTE: Handle appearance may vary from the illustrations on this page.

Replacing Refrigerator Door Handle

Place the handle on the door by fitting the handle footprints over the mounting fasteners and tightening the set screws with a $\frac{3}{32}$ in (2.5 cm) Allen wrench.

NOTE: If the handle mounting fasteners need to be tightened or removed, use a $\frac{1}{4}$ in. (6.4 mm) Allen wrench.



NOTE: Removing the doors is the recommended procedure when it is necessary to move the refrigerator through a narrow opening. If it is necessary to remove the handles, follow the directions below.

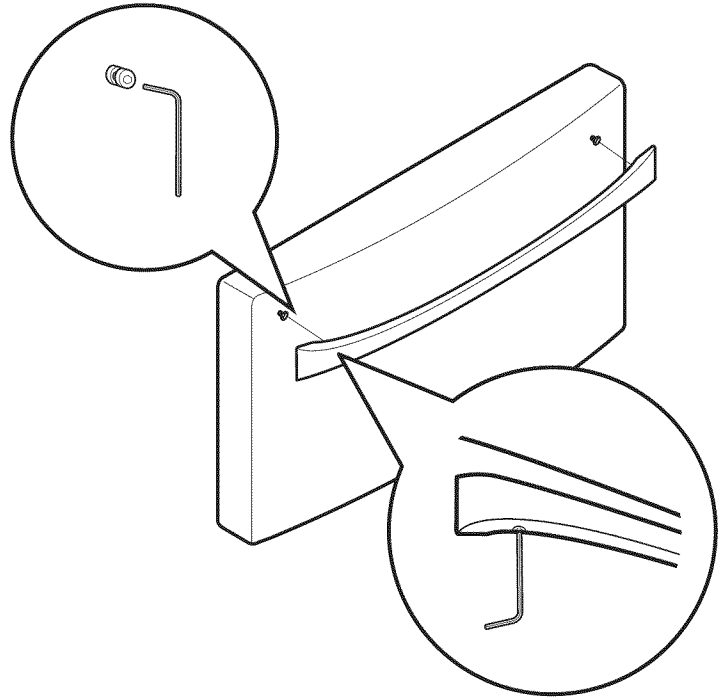
HOW TO REMOVE FREEZER DOOR HANDLE

NOTE: Handle appearance may vary from the illustrations on this page.

Removing Freezer Drawer Handle

Loosen the set screws located on the lower side of the handle with a $\frac{1}{8}$ in. (3.1 mm) Allen wrench and remove the handle.

NOTE: If the handle mounting fasteners need to be tightened or removed, use a $\frac{1}{4}$ in. (6.4 mm) Allen wrench.



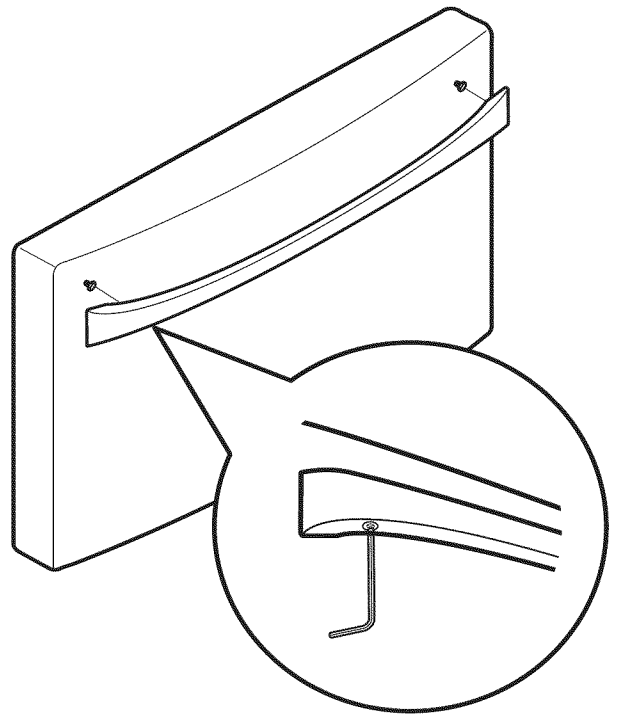
HOW TO REPLACE FREEZER DOOR HANDLE

NOTE: Handle appearance may vary from the illustrations on this page.

Replacing Freezer Drawer Handle

Place the handle on the door by fitting the handle footprints over the mounting fasteners and tightening the set screws with a $\frac{1}{8}$ in. (3.1 mm) Allen wrench.

NOTE: If the handle mounting fasteners need to be tightened or removed, use a $\frac{1}{4}$ in. (6.4 mm) Allen wrench.



REMOVING AND REPLACING REFRIGERATOR DOORS

⚠ WARNING

Excessive Weight Hazard:

Use two or more people to remove and install the refrigerator doors. Failure to do so can result in back or other injury.

WARNING

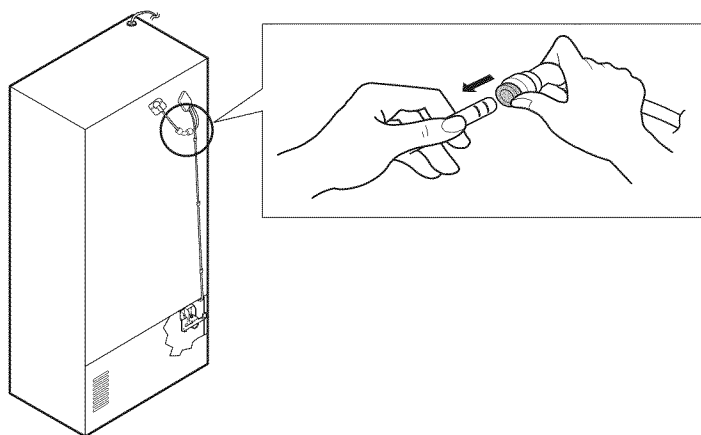
Electrical Shock Hazard

- Disconnect the electrical supply to the refrigerator before installing. Failure to do so could result in serious injury or death.
- Do not put hands, feet or other objects into the air vents or bottom of the refrigerator. You may be injured or receive an electrical shock.

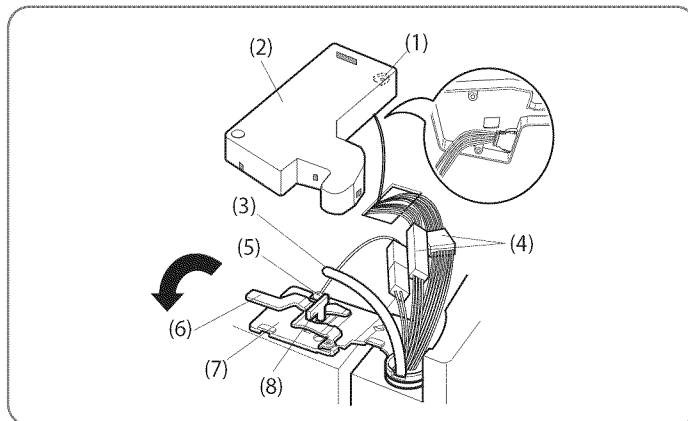
NOTE: Be careful when you work with the hinge. You may be injured.

To remove the left refrigerator door:

On the back of the refrigerator, pull the water tube out of the collet fitting on the connector by pressing the fitting release ring (see picture below).



⚠ CAUTION: Before you begin, remove food and bins from the doors.

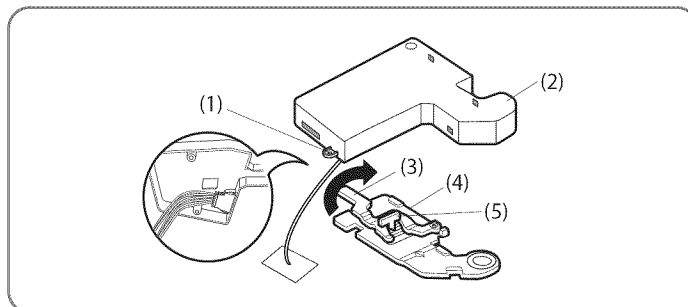


1. Open the door. Remove the top hinge cover screw (1). Lift up the cover (2).
2. Remove the cover.
3. Pull out the tube (3).
4. Disconnect all wire harnesses (4).
5. Remove the grounding screw (5).
6. Rotate the hinge lever (6) counterclockwise. Lift the top hinge (7) free of the hinge lever latch (8).

⚠ CAUTION: When lifting the hinge free of the latch, be careful that the door does not fall forward.

7. Lift the door from the middle hinge pin and remove the door.
8. Place the door, inside facing up, on a non-scratching surface.

To remove the right refrigerator door:



1. Open the door. Remove the top hinge cover screw (1). Lift up the cover (2).
2. Remove the cover.
3. Rotate the hinge lever (3) clockwise. Lift the top hinge (4) free of the hinge lever latch (5).

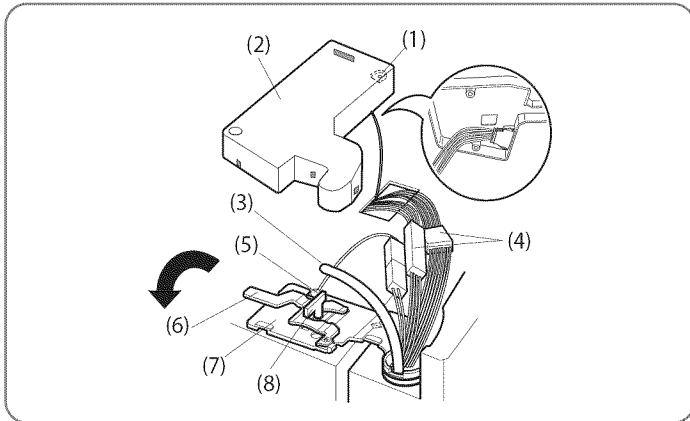
⚠ CAUTION: When lifting the hinge free of the latch, be careful that the door does not fall forward.

4. Lift the door from the middle hinge pin and remove the door.
5. Place the door, inside facing up, on a non-scratching surface.

Reinstalling the Refrigerator Door

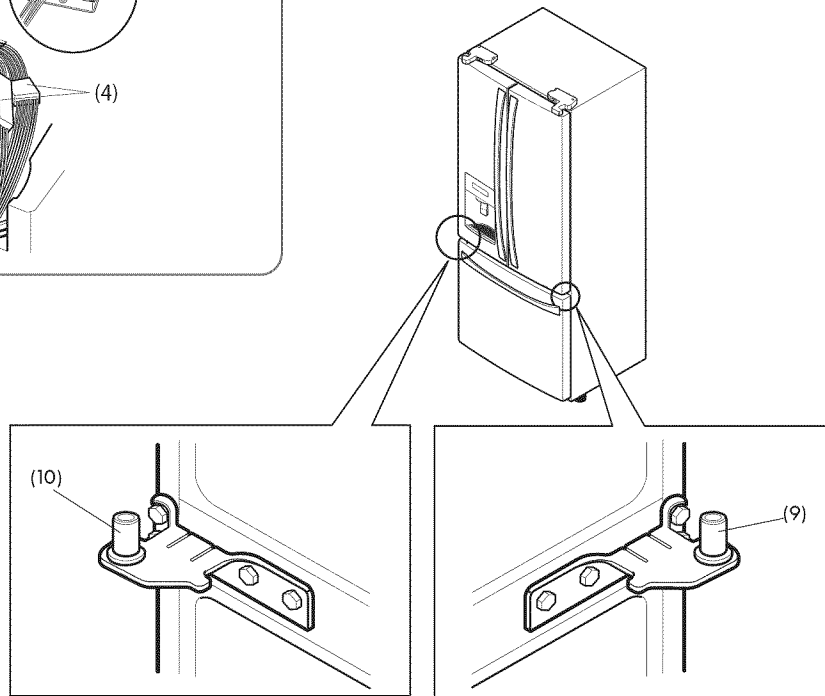
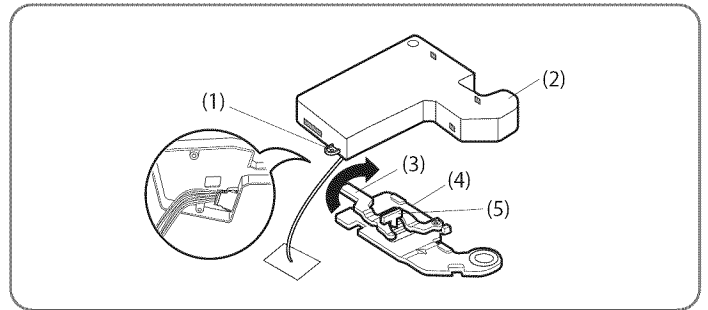
► Left Door

1. Lower the door onto the middle hinge pin (10).
2. Fit the top hinge (7) over the hinge lever latch (8) and into place. Rotate the lever (6) clockwise to secure the hinge.
3. Install the grounding screw (5) and connect the two wire harnesses (4).
4. Push the water tube (3) located at the top of the left door into the hole beside the left hinge on the top of the cabinet until it exits through the back.
5. Insert the water supply tube (3) into the connector until you see only one scale mark. Fully insert the tube over $\frac{5}{8}$ in. (15 mm).
6. Hook the tabs on the left side of the hinge cover (1) under the edge of the top hinge (7) and position the cover in place. Insert and tighten the cover screw (1).

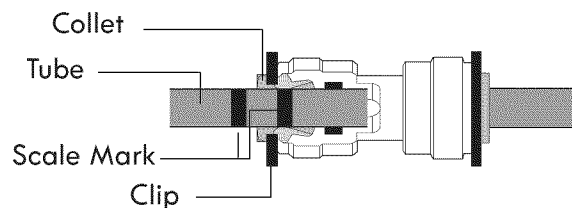


► Right Door

1. Lower the door onto the middle hinge pin (9).
2. Fit the top hinge (4) over the hinge lever latch (5) and into place. Rotate the lever (3) counterclockwise to secure the hinge.
3. Hook the tabs on the right side of the hinge cover (2) under the edge of the top hinge (4) and position the cover in place. Insert and tighten the cover screw (1).



⚠ CAUTION



After inserting, pull the tube to make sure that it is secure and reinsert the clip.

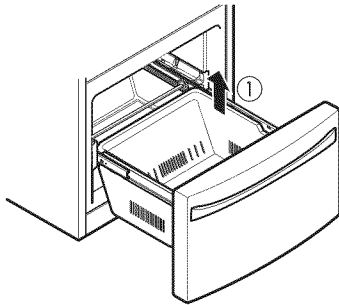
HOW TO REMOVE THE FREEZER DRAWER

⚠ WARNING: Use two or more people to remove and install the freezer drawer. Failure to do so can result in back or other injury.

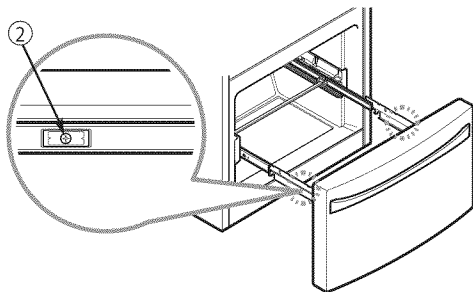
⚠ CAUTION: Do not hold the handle when removing or replacing the drawer. The handle may come off and it could cause personal injury.

NOTE: In the following figures, the Pullout Drawer located above the freezer drawer is not shown for clarity.

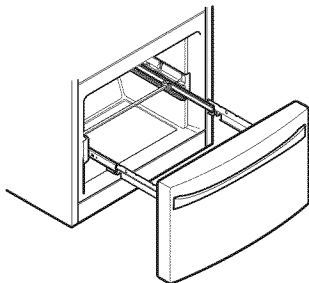
Pull the drawer open to full extension. Remove the lower basket ① by lifting the basket from the rail system.



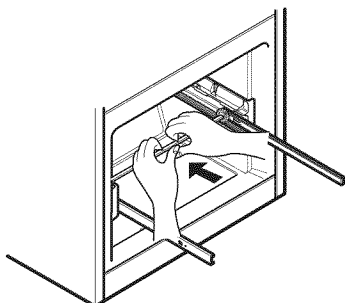
Remove the screws ② from the rail on both sides.



Grasp the drawer on each side and pull it up to separate it from the rails.

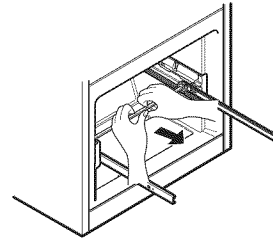


With both hands, hold the center bar and push it in to allow both rails to slide in simultaneously.

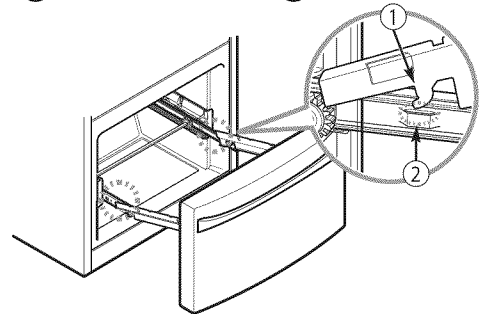


HOW TO INSTALL THE FREEZER DRAWER

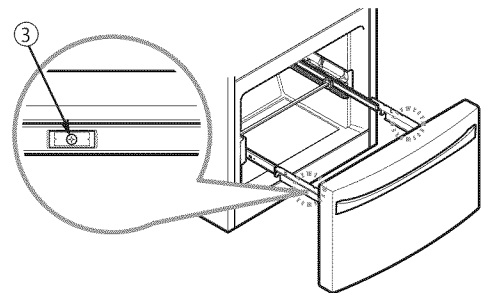
With both hands, hold the center bar and pull it out until both rails are fully extended.



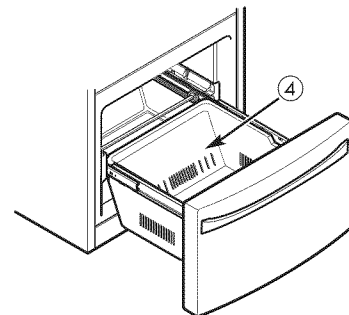
Grasp the drawer on each side and hook the door supports ① into the rail tabs ② located on both sides.



Lower the door into its final position and tighten the screws ③ located on both sides.



With the drawer pulled out to full extension, insert the lower basket ④ in the rail assembly.



⚠ WARNING: If the Durabase divider is removed, there is enough open space for children or pets to crawl inside. To prevent accidental child and pet entrapment or suffocation, DO NOT allow them to touch or go near the freezer drawer.

⚠ WARNING: DO NOT step or sit down on the freezer drawer.

LEVELING AND DOOR ALIGNMENT

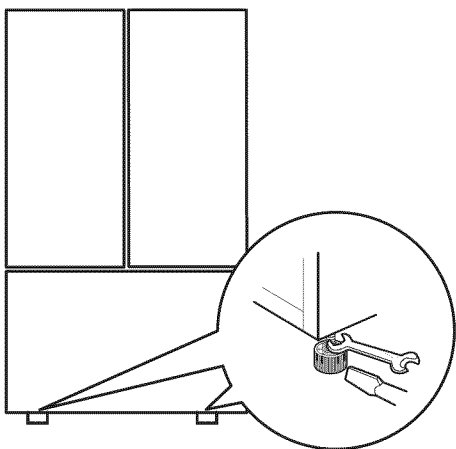
Leveling

After installing, plug the refrigerator's power cord into a 3-prong grounded outlet and push the refrigerator into the final position.

Your refrigerator has two front leveling legs—one on the right and one on the left. Adjust the legs to alter the tilt from front-to-back or side-to-side. If your refrigerator seems unsteady, or you want the doors to close more easily, adjust the refrigerator's tilt using the instructions below:

NOTE: Tools required: $1\frac{1}{16}$ " (18mm) wrench or flat blade screwdriver.

1. Turn the leveling leg counterclockwise to raise that side of the refrigerator or clockwise to lower it. It may take several turns of the leveling leg to adjust the tilt of the refrigerator.



NOTE: Having someone push backward against the top of the refrigerator takes some weight off of the leveling legs. This makes it easier to adjust the legs.

2. Open both doors again and check to make sure that they close easily. If the doors do not close easily, tilt the refrigerator slightly more to the rear by turning both leveling legs counterclockwise. It may take several more turns, and you should turn both leveling legs the same amount.

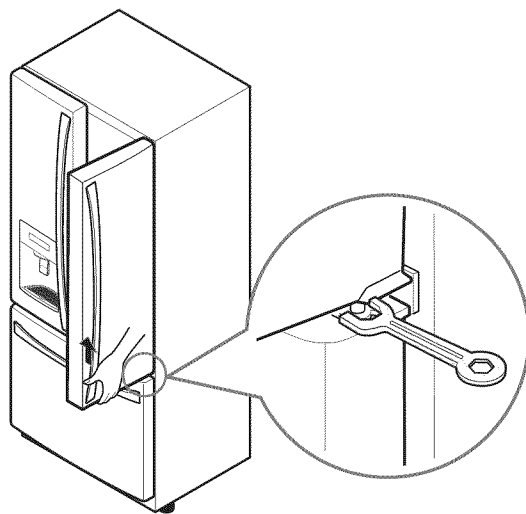
NOTE: Your refrigerator is uniquely designed with two fresh food doors. Either door can be opened or closed independently of the other. You may have to exert slight pressure on the doors to get them to close completely.

Door Alignment

Both the left and right refrigerator doors have an adjustable nut, located on the bottom hinge, to raise and lower them to align properly.

If the space between your doors is uneven, follow the instructions below to align the doors evenly:

Use the wrench (included with the Use & Care Guide) to turn the nut in the door hinge to adjust the height. Turn the nut clockwise to raise or counterclockwise to lower the door.



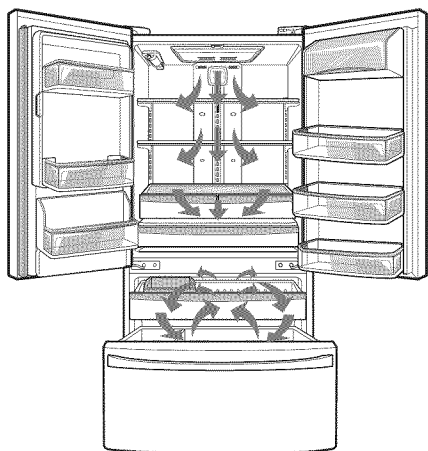
USING YOUR REFRIGERATOR

SETTING THE CONTROLS

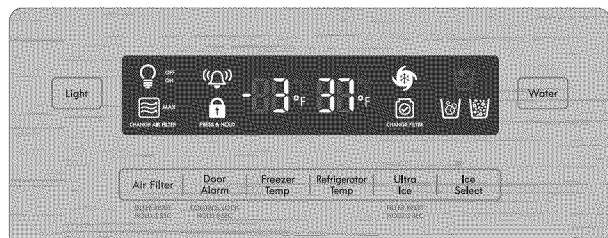
The refrigerator control functions as the thermostat for the entire appliance (refrigerator and freezer sections). The colder the setting, the longer the compressor will run to keep the temperature colder. The freezer control adjusts the cold air flow from the freezer to the refrigerator. Setting the freezer control to a lower temperature keeps more cold air in the freezer compartment to make it colder.

AIRFLOW

Cold air circulates from the freezer to the fresh food section and back again through air vents in the wall dividing the two sections. Be sure not to block vents while packing your refrigerator. Doing so will restrict airflow and may cause the refrigerator temperature to become too warm or cause interior moisture buildup. (See air flow diagram below.)



Temperature

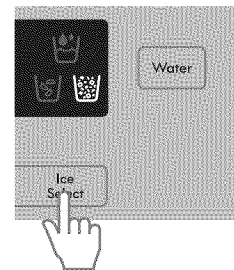
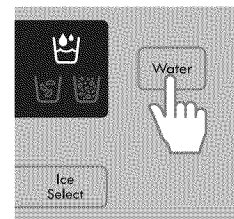


- **The Refrigerator Temp. Control ranges from 33°F to 46°F (0°C to 8°C).** Press the Refrigerator Temp. button to cycle through the available temperature settings one increment at a time.
- **The Freezer Temp. Control range is from -6°F to 8°F (-21°C to -13°C).** Press the Freezer Temp. button to cycle through the available temperature settings one increment at a time.

NOTE: When changing control settings, wait 24 hours before making additional adjustments. The controls are set correctly when milk or juice is as cold as you would like and when ice cream is firm. If the temperature in either compartment is too cold or too warm, change the setting one increment at a time. Wait 24 hours for the change to stabilize before adjusting again.

Dispenser

- When you press the **Water** button, the water icon will illuminate.
- When you press the **Ice Select** button, either the cubed or crushed ice icon will illuminate.
- Some dripping may occur after dispensing. Hold your cup beneath the dispenser for a few seconds after dispensing to catch all of the drops.



CAUTION: The control display is operated by touch. Excessive moisture on the display may cause a malfunction. Please keep the display clean and dry.

WARNING: The dispenser will not work if any door is left open or if the control lock is engaged.

Ultra Ice

- When you touch the **Ultra Ice** button, the graphic will illuminate in the display and will continue for 24 hours. The function will automatically shut off after 24 hours.
- You can stop this function manually by touching the button one more time.
- This function increases both ice making and freezing capabilities.

Water Filter Reset



When the water filter indicator turns on, you have to change the water filter. After changing the water filter, press and hold the **Ultra Ice** (Water Filter Reset) button for three seconds to turn the indicator light off. You need to change the water filter approximately every six months.

Blue Ambient Mood Light

This light has two settings: On and Off. If the light is set to the On mode, the Blue Ambient Mood Light will turn on.

USING YOUR REFRIGERATOR

Air Filter MAX CHANGE AIR FILTER

The Air Filter helps remove odors from the refrigerator. The Air Filter has two settings, Auto and MAX. In Auto mode, the Air Filter will cycle on and off in increments of ten minutes on and 110 minutes off. If set to the MAX mode, the Air Filter will stay on continuously for four hours, cycling on and off in increments of ten minutes on and five minutes off. After four hours, the Air Filter will switch to Auto mode.

- Auto mode is the default mode.
- Press the Air Filter button once for MAX mode.

Air Filter Reset MAX CHANGE AIR FILTER

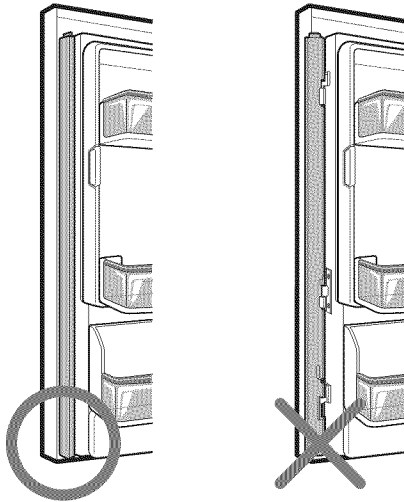
When the CHANGE AIR FILTER icon turns on, the air filter needs to be replaced. After replacing the air filter, press and hold the Air Filter button for three seconds to turn the icon light off. It is recommended to change the air filter approximately every six months.

Articulating Mullion

This feature is a metal strip attached to the left door that articulates (rotates) 90 degrees as the door is closed, forming a mullion (base) for the left and right door gaskets to seal against.

CAUTION

To reduce the risk of scratching the door or breaking the door mullion, make sure that the refrigerator door mullion is always folded in.



Door Alarm

- When power is connected to the refrigerator, the door alarm is initially set to ON. When you press the Door Alarm button, the display will change to OFF and the Door Alarm function will deactivate.
- When either the refrigerator or the freezer door is left open for more than 60 seconds, the alarm tone will sound to let you know that the door is open.
- When you close the door, the door alarm will stop.

Control Lock PRESS & HOLD

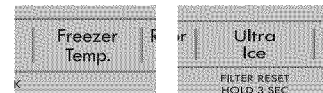
- When power is initially connected to the refrigerator, the Lock function is off.
- If you want to activate the Lock function to lock other buttons, press and hold the Door Alarm button for three seconds or more. The Control Lock icon will display and the Lock function is now enabled.
- When the Lock function is activated, no other buttons will work. The dispenser pad is also deactivated.
- To disable the Lock function, press and hold the Door Alarm button for approximately three seconds.

Temperature Mode Switch Function (°F <->°C)

If you want to convert °F to °C or vice versa, press and hold the Freezer Temp. and Refrigerator Temp. buttons at the same time for approximately five seconds.

Display Off Mode

- When the refrigerator is in the Display Off Mode, the display will remain off until a door is opened or a button is pressed. Once on, the display will remain on for 20 seconds.
- To deactivate the Display Off Mode, press the Freezer Temp. and Ultra Ice buttons at the same time and hold them for five seconds until the tone sounds (in some models).



CAUTION

Demo Mode (For Store Use Only)

The Demo Mode disables all cooling in the refrigerator and freezer sections to conserve energy while on display in a retail store. When activated, OFF will display on the control panel.



To deactivate:

With either refrigerator door opened, press and hold the Refrigerator Temp. and Ultra Ice buttons at the same time for five seconds. The control panel will beep and the temperature settings will display to confirm that Demo Mode is deactivated. Use the same procedure to activate the Demo Mode.

IN-DOOR ICE BIN

⚠ CAUTION

Keep hands and tools out of the ice compartment door and dispenser chute. Failure to do so may result in damage or personal injury.

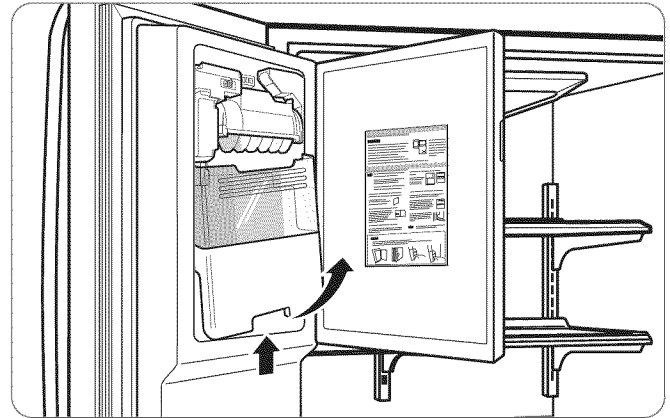
The icemaker will stop producing ice when the in-door ice bin is full. If you need more ice, empty the ice bin into the extra ice bin in the freezer compartment. During use, the ice can become uneven causing the icemaker to misread the amount of ice cubes and stop producing ice. Shaking the ice bin to level the ice within it can reduce this problem.

NOTE: Storing cans or other items in the ice bin will damage the icemaker.

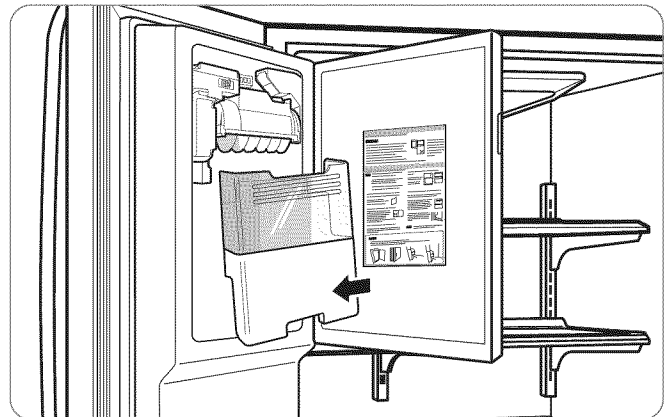
Keep the ice compartment door closed tightly. If the ice compartment door is not closed tightly, the cold air in the ice bin will freeze food in the refrigerator compartment. This could also cause the icemaker to stop producing ice.

NOTE: If the ON/OFF switch on the icemaker is set to OFF for an extended period of time, the ice compartment will gradually warm up to the temperature of the refrigerator compartment. To prevent ice cubes from melting and leaking from the dispenser, ALWAYS empty the ice bin when the icemaker is set to OFF for more than a few hours.

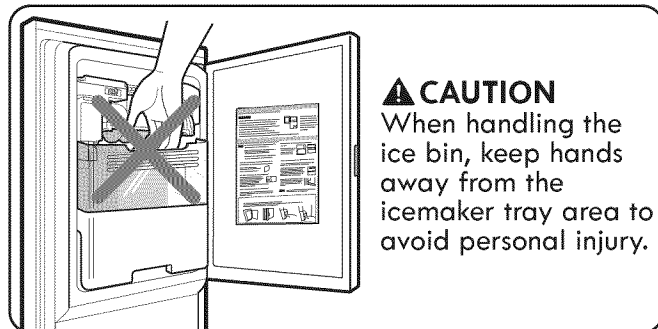
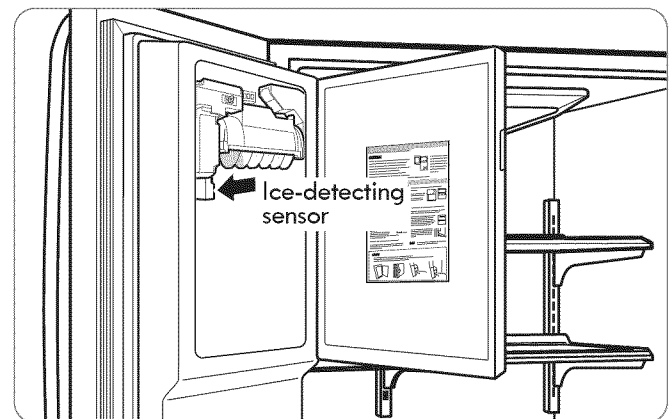
2. To remove the in-door ice bin, grip the front handle, slightly lift the lower part, and slowly pull out the bin as shown.



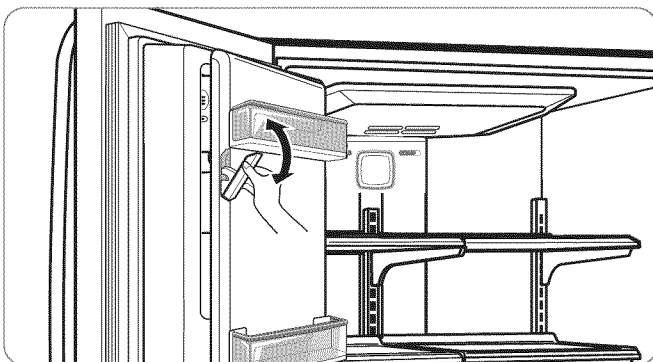
3. To reinstall the in-door ice bin, slightly slant the bin during replacement to avoid contact with the icemaker.



4. Avoid touching the ice-detecting sensor when replacing the ice bin. See the label on the ice compartment door for details.



1. Pull or push the door handle to open or close the ice compartment.



AUTOMATIC ICEMAKER

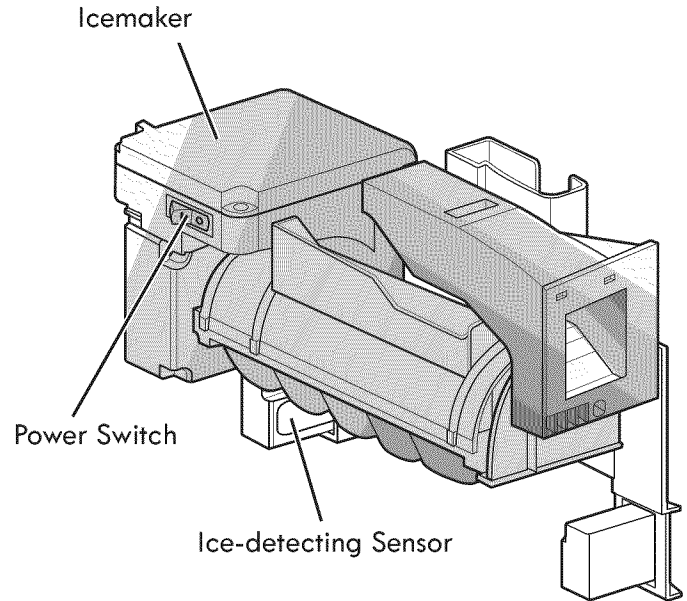
Ice is made in the automatic icemaker and sent to the dispenser. The icemaker will produce 10 cubes per cycle—approximately 100 cubes in a 24-hour period, depending on freezer compartment temperature, room temperature, number of door openings and other operating conditions.

- It takes about 12 to 24 hours for a newly installed refrigerator to begin making ice. Wait 72 hours for full ice production to occur.
- Ice making stops when the in-door ice bin is full. When full, the in-door ice bin holds approximately 6 to 8 (12-16 oz) glasses of ice.
- To turn off the automatic icemaker, set the icemaker switch to **OFF (O)**. To turn on the automatic icemaker, set the switch to **ON (I)**.
- The water pressure must be between 20 and 120 psi on models without a water filter and between 40 and 120 psi on models with a water filter to produce the normal amount and size of ice cubes.
- Foreign substances or frost on the ice-detecting sensor can interrupt ice production. Make sure the sensor area is clean at all times for proper operation.

! WARNING

Personal Injury Hazard

DO NOT place fingers or hands on the automatic ice making mechanism while the refrigerator is plugged in.



AUTOMATIC ICEMAKER (continued)

▲CAUTION

- The first ice and water dispensed may include particles or odor from the water supply line or the water tank.
- Throw away the first few batches of ice (about 24 cubes). This is also necessary if the refrigerator has not been used for a long time.
- Never store beverage cans or other items in the ice bin for the purpose of rapid cooling. Doing so may damage the icemaker or the containers may burst.
- If discolored ice is dispensed, check the water filter and water supply. If the problem continues, contact a Sears or other qualified service center. Do not use the ice or water until the problem is corrected.
- Keep children away from the dispenser. Children may play with or damage the controls.
- The ice passage may become blocked with frost if only crushed ice is used. Remove the frost that accumulates by removing the ice bin and clearing the passage with a rubber spatula. Dispensing cubed ice can also help prevent frost buildup.
- Never use thin crystal glass or crockery to collect ice. Such containers may chip or break resulting in glass fragments in the ice.
- Dispense ice into a glass before filling it with water or other beverages. Splashing may occur if ice is dispensed into a glass that already contains liquid.
- Never use a glass that is exceptionally narrow or deep. Ice may jam in the ice passage and refrigerator performance may be affected.
- Keep the glass at a proper distance from the ice outlet. A glass held too close to the outlet may prevent ice from dispensing.
- To avoid personal injury, keep hands out of the ice door and passage.
- Never remove the dispenser cover.
- If ice or water dispenses unexpectedly, turn off the water supply and contact Sears Home Service at 1-800-4-MY HOME®.

WHEN YOU SHOULD SET THE ICEMAKER POWER SWITCH TO OFF (O)

- When the water supply will be shut off for several hours.
- When the ice bin is removed for more than one or two minutes.
- When the refrigerator will not be used for several days.

NOTE: The ice bin should be emptied when the icemaker ON/OFF switch is turned to the **OFF** position.

NORMAL SOUNDS YOU MAY HEAR

- The icemaker water valve will buzz as the icemaker fills with water. If the power switch is in the **ON (I)** position, it will buzz even if it has not yet been hooked up to water. To stop the buzzing, move the power switch to **OFF (O)**.
NOTE: Keeping the power switch in the **ON (I)** position before the water line is connected can damage the icemaker.
- You will hear the sound of cubes dropping into the bin and water running in the pipes as the icemaker refills.

PREPARING FOR VACATION

Set the icemaker power switch to **OFF (O)** and shut off the water supply to the refrigerator.

NOTE: The ice bin should be emptied any time the icemaker ON/OFF switch is turned to the **OFF (O)** position.

If the ambient temperature will drop below freezing, have a qualified technician drain the water supply system to prevent serious property damage due to flooding caused by ruptured water lines or connections.

FOOD STORAGE GUIDE

Wrap or store food in the refrigerator in airtight and moisture-proof material unless otherwise noted. This prevents food odor and taste transfer throughout the refrigerator. For dated products, check date code to ensure freshness.

Items	How to
Butter or margarine	▶ Keep opened butter in a covered dish or closed compartment. When storing an extra supply, wrap in freezer packaging and freeze.
Cheese	▶ Store in the original wrapping until you are ready to use it. Once opened, rewrap tightly in plastic wrap or aluminum foil.
Milk	▶ Wipe milk cartons. For best storage, place milk on interior shelf, not on door shelf.
Eggs	▶ Store in original carton on interior shelf, not on door shelf.
Fruit	▶ Wash, let dry, and store in refrigerator in plastic bags or in the crisper. Do not wash or hull fruit until you are ready to use them. Sort and keep fruit in its original container, in a crisper, or store in a completely closed paper bag on a refrigerator shelf.
Leafy vegetables	▶ Remove store wrapping and trim or tear off bruised and discolored areas. Wash in cold water and drain. Place in plastic bag or plastic container and store in crisper.
Vegetables with skins (carrots, peppers)	▶ Place in plastic bags or plastic container and store in crisper.
Fish	▶ Use fresh fish and shellfish the same day purchased.
Leftovers	▶ Cover leftovers with plastic wrap or aluminum foil, or store in plastic containers with tight lids.

STORING FROZEN FOOD

NOTE: Check a freezer guide or a reliable cookbook for further information about preparing food for freezing or food storage times.

Freezing

Your freezer will not quick-freeze a large quantity of food. Do not put more unfrozen food into the freezer than will freeze within 24 hours (no more than 2 to 3 lbs. of food per cubic foot of freezer space). Leave enough space in the freezer for air to circulate around packages. Be careful to leave enough room at the front so the door can close tightly.

Storage times will vary according to the quality and type of food, the type of packaging or wrap used (how airtight and moisture-proof) and the storage temperature. Ice crystals inside a sealed package are normal. This simply means that moisture in the food and air inside the package have condensed, creating ice crystals.

NOTE: Allow hot foods to cool at room temperature for 30 minutes, then package and freeze. Cooling hot foods before freezing saves energy.

Packaging

Successful freezing depends on correct packaging. When you close and seal the package, it must not allow air or moisture in or out. If it does, you could have food odor and taste transfer throughout the refrigerator and could also dry out frozen food.

Packaging recommendations:

- Rigid plastic containers with tight-fitting lids
- Straight-sided canning/freezing jars
- Heavy-duty aluminum foil
- Plastic-coated paper
- Non-permeable plastic wraps
- Specified freezer-grade self-sealing plastic bags

Follow package or container instructions for proper freezing methods.

Do not use

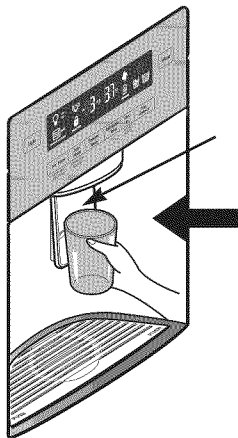
- Bread wrappers
- Non-polyethylene plastic containers
- Containers without tight lids
- Wax paper or wax-coated freezer wrap
- Thin, semi-permeable wrap

⚠ CAUTION: Do not keep beverage cans or plastic food containers in the freezer compartment. They may break or burst if they freeze.

REFRIGERATOR SECTION

WATER DISPENSER

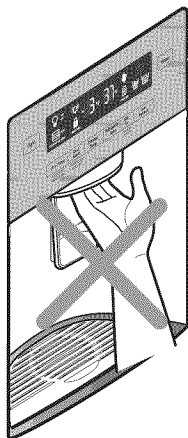
To dispense cold water, push on the dispenser switch with a glass.



Some dripping may occur after dispensing. Hold your cup beneath the dispenser for a few seconds after dispensing to catch all of the drops.

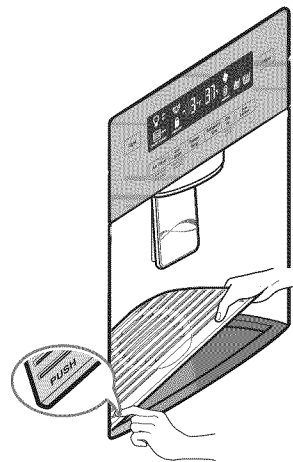
⚠ WARNING: Do not put your fingers up the ice chute opening. Doing so can result in severe injury.

⚠ CAUTION: Do not dispense ice into fine china or crystal glasses. China or crystal can break.



Press down on either of the front corners to remove the tray.

Note: There is no drain beneath the tray. You may need to empty the tray of any liquid that collects in it.



NOTE: The dispenser is equipped with a light that turns on when the dispenser pad is engaged.

REFRIGERATOR SHELVES

The shelves in your refrigerator are adjustable to meet your individual storage needs. Your model may have glass or wire shelves.

Adjusting the shelves to fit items of different heights will make finding the exact item you want easier. Doing so will also reduce the amount of time the refrigerator door is open which will save energy.

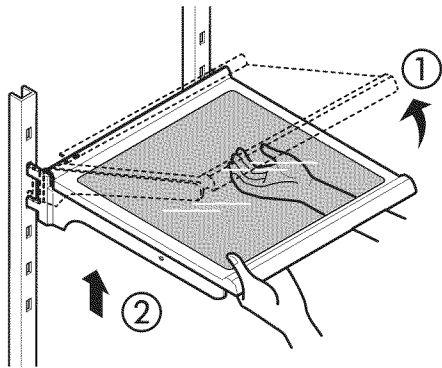
IMPORTANT: Do not clean glass shelves with warm water while they are cold. Shelves may break if exposed to sudden temperature changes or impact.

NOTE: Glass shelves are heavy. Use special care when removing them.

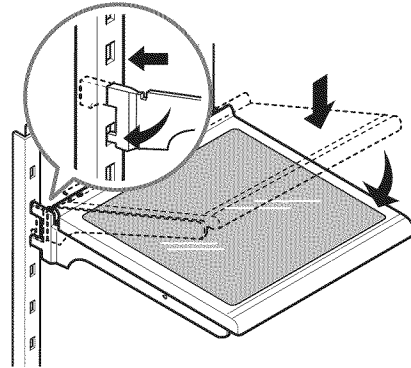
Adjusting Shelves (Cantilever)

Remove shelves from the shipping position and replace shelves in the position you want.

To remove a shelf—Tilt up the front of the shelf ① and lift it from below ②. Pull the shelf out.



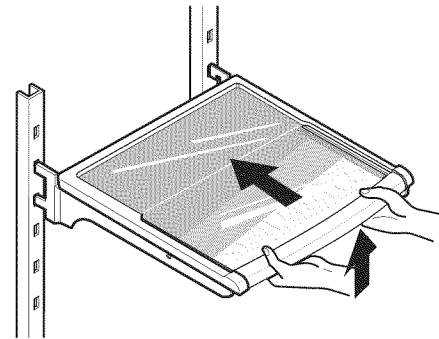
To reinstall a shelf—Tilt the front of the shelf up and guide the shelf hooks into the slots at a desired height. Then, lower the front of the shelf so that the hooks drop into the slots.



CAUTION: Make sure that shelves are level from one side to the other. Failure to do so may result in the shelf falling or spilling food.

Folding Shelf (on some models)

You can store taller items, such as a gallon container or bottles, by simply pushing the front half of the shelf underneath the back half of the shelf. Pull the front of the shelf toward you to return to a full shelf.

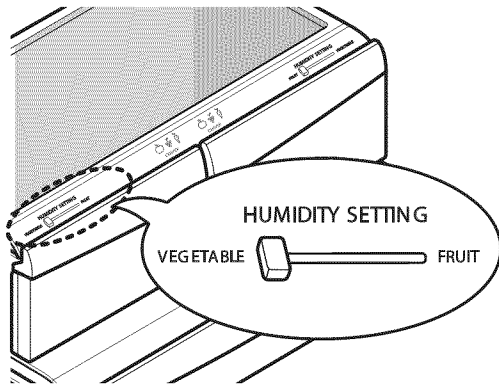


HUMIDITY CONTROLLED CRISPER

The crispers provide fresher tasting fruit and vegetables by letting you easily control humidity inside the drawer.

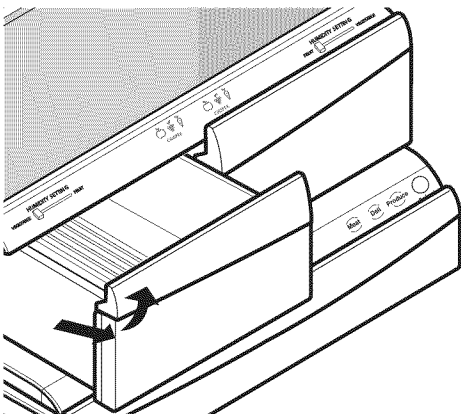
You can control the amount of humidity in the moisture-sealed crispers by adjusting the control to any setting between **VEGETABLE** and **FRUIT**.

- **VEGETABLE** keeps moist air in the crisper for best storage of fresh, leafy vegetables.
- **FRUIT** lets moist air out of the crisper for best storage of fruit.



REMOVING THE HUMIDITY CONTROLLED CRISPER

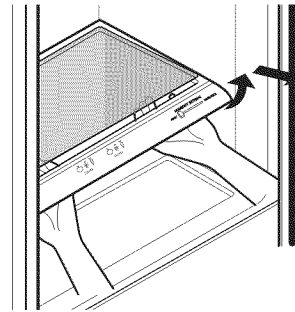
1. To remove, pull the drawer out to full extension.
2. Lift the front of the crisper up, then pull it straight out.
3. To install, slightly tilt up the front, insert the drawer into the frame and push it back into place.



To remove the glass

1. Lift up the glass under the crisper cover.
2. Pull the glass up and out.

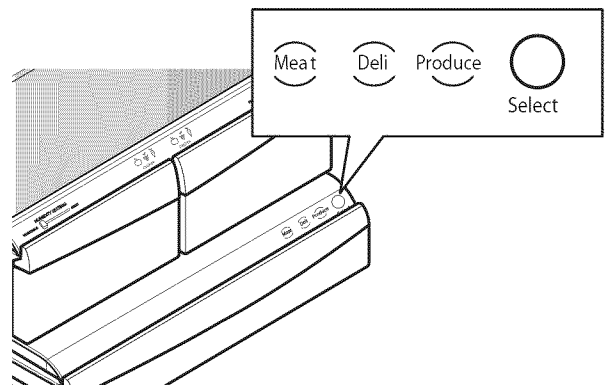
NOTE: Pantry drawer not shown for clarity.



TEMPERATURE CONTROLLED PANTRY DRAWER

The **Temperature Controlled Pantry Drawer** provides storage space with a variable temperature control that can keep the compartment colder than the refrigerator section. This drawer can be used for large party trays, deli items and beverages. (This drawer should not be used for vegetables that require high humidity.)

Press the **Select** button to choose between Meat, Deli and Produce.

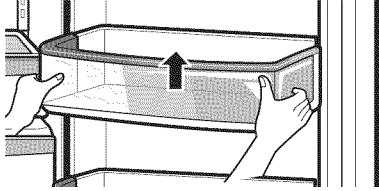


DOOR BIN

The door bins are removable for easy cleaning and adjustment.

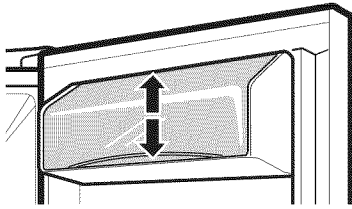
1. To remove the bin, simply lift the bin up and pull straight out.
2. To replace the bin, slide it in above the desired support and push down until it snaps into place.

NOTE: Some bins may vary in appearance and will only fit in one location.



DAIRY BIN

1. To remove the dairy bin, simply lift it and pull straight out.
2. To replace the dairy bin, slide it into place and push down until it stops.

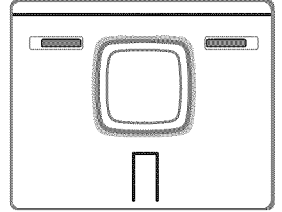


NOTE: The dairy bin will only fit in the top space on the right-hand door.

REPLACING THE AIR FILTER

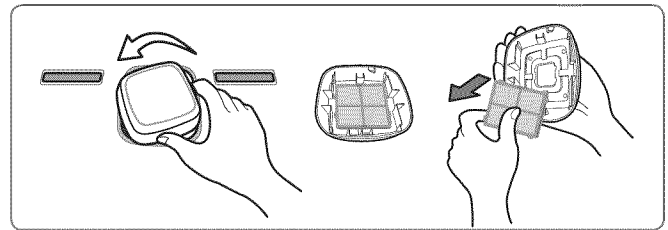
It is recommended that you replace the air filter:

- Approximately every six months.
- When the **CHANGE AIR FILTER** light turns on.



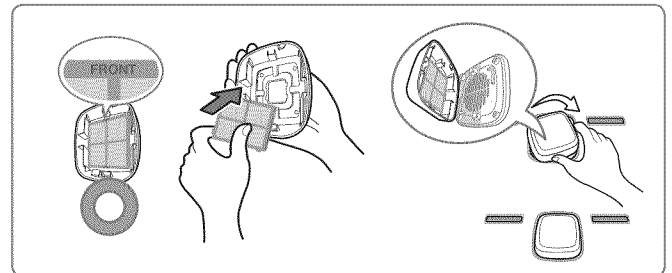
1. Remove the Old Filter

Turn the filter cover to the left to detach it from the refrigerator wall. The filter is located on the inside of the filter cover. Remove the filter from the cover and replace it with a new filter.



2. Install a New Air Filter.

Place the new filter inside of the cover with the side that says "Front" facing outward. Turn the filter cover to the right to attach it to the refrigerator wall.



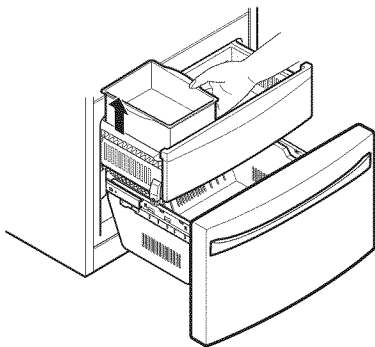
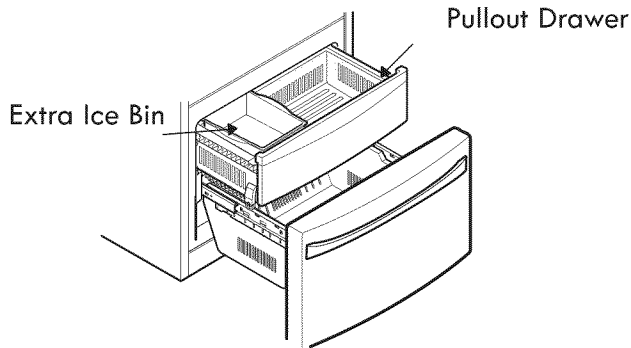
After changing the filter, press and hold the Air Filter button for three seconds to reset the filter sensor.

NOTE: To purchase a replacement air filter, visit a Sears store or call 1-800-4-MY-HOME®. Also, you may order on-line at www.sears.com/partsdirect.

FREEZER SECTION

EXTRA ICE BIN

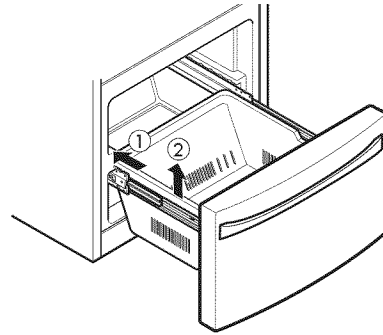
1. Pull the Freezer Drawer and the Pullout Drawer out as far as possible to remove the Extra Ice Bin.
2. Gently lift and pull out the ice bin.
3. To replace, pull both drawers out as far as possible, and set the bin in its correct position in the Pullout Drawer. Close the Pullout Drawer and then the Freezer Drawer.



⚠ CAUTION: Pinch hazard! Keep hands and feet clear of the bottom of the freezer drawer when opening and closing.

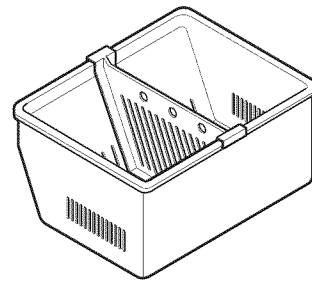
DURABASE

1. To remove the Durabase, push it to the back as much as possible. Tilt up the front of the Durabase and pull straight out.
2. To replace, insert the Durabase in rail assembly.



DURABASE DIVIDER

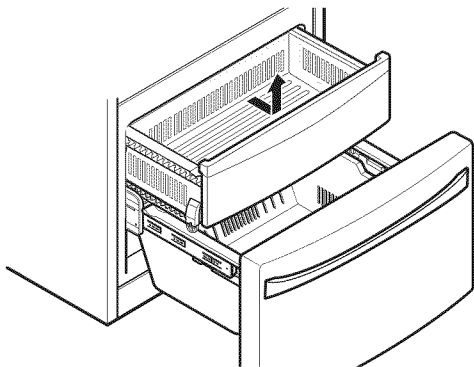
The Durabase divider allows you to organize the Durabase area into sections. It can be adjusted from side to side to accommodate items of different sizes.



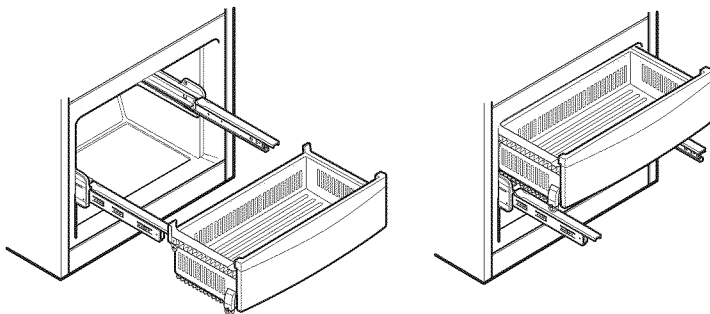
⚠ WARNING: If the Durabase divider is removed, there is enough open space for children or pets to crawl inside. To prevent accidental child and pet entrapment or suffocation risk, DO NOT allow children or pets to touch or go near the drawer.

PULLOUT DRAWER

1. To remove, pull the drawer out to full extension. Lift the front of the drawer up, then pull it straight out.



2. To replace, slightly tilt up the drawer front, insert the drawer into the frame, and push the drawer back into place.



WATER FILTER

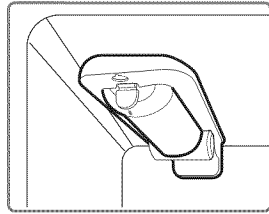
WATER FILTER



CHANGE FILTER

It is recommended that you replace the water filter:

- Approximately every 6 months.
- When the water filter indicator turns on.
- When the water dispenser output decreases.
- When the ice cubes are smaller than normal.



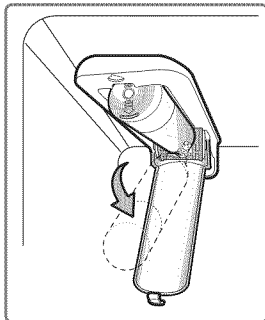
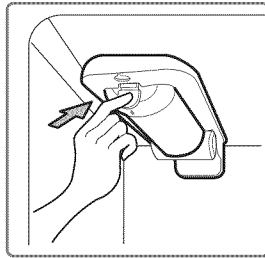
1. Remove the old water filter.

Lower or remove the top left shelf to allow the water filter to rotate all the way down.

Press the push button to open the water filter cover.

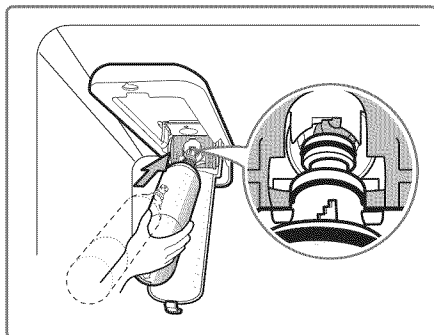
NOTE: Replacing the water filter causes a small amount of water (around 1 oz. or 25 cc) to drain. Place a cup under the front end of the water filter cover to collect any leaking water. Hold the water filter upright, once it is removed, to prevent any remaining water from spilling out of the water filter.

Pull the water filter downward and pull out. Make sure to rotate the filter down completely before pulling it out of the manifold hole.

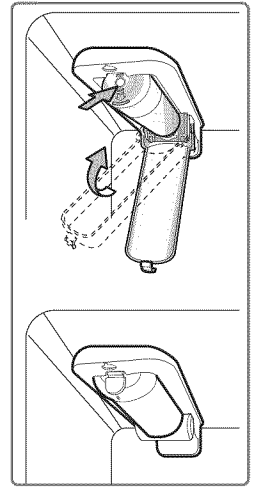


2. Replace with a new water filter.

Take the new water filter out of its packing and remove the protective cover from the o-rings. With water filter tabs in the horizontal position, push the new water filter into the manifold hole until it stops.



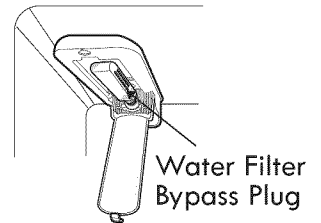
Rotate the water filter up into position and close the cover. The cover will click when closed correctly.



3. After the water filter is replaced, dispense 2.5 gallons of water (flush for approximately 5 minutes) to remove trapped air and contaminants from the system. Do not dispense the entire 2.5 gallon amount continuously. Depress and release the dispenser pad for cycles of 30 seconds ON and 60 seconds OFF.

4. Water Filter Bypass Plug

Keep the water filter bypass plug. You **MUST** use the water filter bypass plug when a replacement water filter cartridge is not available.



CAUTION: DO NOT operate the refrigerator without the water filter or water filter plug installed.

NOTE: To purchase a replacement water filter, visit a Sears store or call 1-800-4-MY-HOME®. You may also order on-line at www.sears.com/partsdirect

Performance Data Sheet

Use Replacement Cartridge: ADQ36006102

The concentration of the indicated substances in water entering the system was reduced to a concentration less than or equal to the permissible limit for water leaving the system as specified in NSF/ANSI Standard 42 and Standard 53.



System tested and certified by NSF International against NSF/ANSI Standard 42 and Standard 53 for the reduction of substances listed below.

Contaminant Reduction	Average Influent	NSF specified Challenge Concentration	Avg % Reduction	Average Product Water Concentration	Max Permissible Product Water Concentration	NSF Reduction Requirements	NSF Test Report
Chlorine Taste and Odor	2.1 mg/L	2.0 mg/L ± 10%	97.2%	0.06 mg/L	N/A	≥ 50%	J-00049247
Nominal Particulate Class I, , ≥0.5 to < 1.0 µm	5,600,000 pts/mL	At least 10,000 particles/mL	98.7%	73,000 pts/ml	N/A	≥85%	J-00049282
Asbestos	190 MFL	107 to 108 MFL; fibers greater than 10 µm in length	>99%	< 1 MFL	N/A	≥99%	J-0004928
Atrazine	0.0094 mg/L	0.009 mg/L ± 10%	94.7%	0.00005 mg/L	0.003 mg/L	N/A	J-00049293
Benzene	0.016 mg/L	0.015 mg/L ± 10%	96.7%	0.005 mg/L	0.005 mg/L	N/A	J-00049300
Carbofuran	0.08 mg/L	0.08 mg/L ± 10%	98.1%	0.002 mg/L	0.04 mg/L	N/A	J-00049294
Lindane	0.002 mg/L	0.002 mg/L ± 10%	98.2%	0.00004 mg/L	0.0002 mg/L	N/A	J-00051975
P-Dichlorobenzene	0.22 mg/L	0.225 mg/L ± 10%	99.8%	0.0005 mg/L	0.075 mg/L	N/A	J-00049298
Toxaphene	0.014 mg/L	0.015 mg/L ± 10%	93%	0.001 mg/L	0.003 mg/L	N/A	J-00049302
2,4-D	0.213 mg/L	0.210 mg/L ± 10%	95.2%	0.009 mg/L	0.07 mg/L	N/A	J-00049284
Lead pH @6.5	0.150 mg/L	0.15 mg/L ± 10%	>99.3%	0.001 mg/L	0.010 mg/L	N/A	J-00051974
Lead pH @8.5	0.150 mg/L	0.15 mg/L ± 10%	>99.3%	0.001 mg/L	0.010 mg/L	N/A	J-00049277
Mercury @ pH 6.5	0.0059 mg/L	0.006 mg/L ± 10%	96.1	0.0002 mg/L	0.002 mg/L	N/A	J-00053886
Mercury @ pH 8.5	0.0058 mg/L	0.006 mg/L ± 10%	90.1	0.0006 mg/L	0.002 mg/L	N/A	J-00051972
Cyst*	120,000 cysts/L	Minimum 50,000 cysts/L	99.99%	<1 cyst/L	N/A	≥99.95%	J-00049281

* Based on the use of Cryptosporidium parvum oocysts

Application Guidelines/Water Supply Parameters	
Service Flow	0.5 gpm (1.9 lpm)
Water Supply	Potable Water
Water Pressure	40-120 psi (138 - 827 kPa)
Water Temperature	33°F - 100°F (0.6°C - 38°C)

It is essential that the manufacturer's recommended installation, maintenance and water filter replacement requirements be carried out for the product to perform as advertised.

NOTE: While the testing was performed under standard laboratory conditions, actual performance may vary.

For estimated costs of replacement elements, please call 1-800-469-4663 or visit our website at www.sears.com/partsdirect

3M is a trademark of 3M Company.

NSF is a trademark of NSF International.

© 2009 3M Company. All rights reserved.

⚠ WARNING

To reduce the risk associated with ingestion of contaminants: Do not use with water that is microbiologically unsafe or of unknown quality without adequate disinfection before and after of the system. Systems certified for cyst reduction may be used on disinfected water that may contain filterable cysts. EPA Establishment Number 10350-MN-005

⚠ CAUTION

To reduce the risk associated with property damage due to water leakage:

- **Read and follow** the Water Filter instructions before installation and use of this system.
- Installation and use **MUST** comply with all state and local plumbing codes.
- **Do not** install if water pressure exceeds 120 psi (827 kPa). Contact a plumbing professional if you are uncertain of how to check your water pressure.
- **Do not** install where water hammer conditions may occur. If water hammer conditions exist, you must install a water hammer arrester. Contact a plumbing professional if you are uncertain of how to check for this condition.
- **Do not** install on hot water supply lines. The maximum operating water temperature of this water filter system is 100°F (38°C).
- **Protect water filter from freezing.** Do not operate refrigerator in ambient conditions below 55°F. Drain water filter when storing unit in temperatures below 40°F (4.4°C).
- The disposable water filter must be replaced every six months, at the rated capacity, or if a noticeable reduction in flow rate occurs.

State of California
Department of Public Health
Water Treatment Device
Certificate Number
09 - 2019

Date Issued: December 15, 2009

Manufacturer: Sears Roebuck and Co.

The water treatment device(s) listed on this certificate have met the testing requirements pursuant to Section 116830 of the Health and Safety Code for the following health related contaminants:

Microbiological Contaminants and Turbidity

Cysts

Inorganic/Radiological Contaminants

Asbestos

Lead

Mercury

Organic Contaminants

2,4-D Reduction

Atrazine

Benzene

Carbofuran

Lindane

p-Dichlorobenzene

Toxaphene

Rated Service Capacity: 200 gal

Rated Service Flow: 0.5 gpm

Conditions of Certification:

CARE AND CLEANING

! WARNING



Explosion Hazard

Use non-flammable cleaner. Failure to do so can result in fire, explosion, or death.

Both the refrigerator and freezer sections defrost automatically; however, clean both sections about once a month to prevent odors. Wipe up spills immediately.

GENERAL CLEANING TIPS

- Unplug the refrigerator or disconnect power.
- Remove all removable parts, such as shelves, crispers, etc. Refer to the sections in *Using Your Refrigerator* for removal instructions.
- Use a clean sponge or soft cloth and a mild detergent in warm water. Do not use abrasive or harsh cleaners.
- Hand wash, rinse and dry all surfaces thoroughly.
- Plug in the refrigerator or reconnect power.

OUTSIDE

Waxing external painted metal surfaces helps provide rust protection. Do not wax plastic parts. Wax painted metal surfaces at least twice a year using appliance wax (or auto paste wax). Apply wax with a clean, soft cloth.

For products with a stainless steel exterior, use a clean sponge or soft cloth and a mild detergent in warm water. Do not use abrasive or harsh cleaners. Dry thoroughly with a soft cloth.

INSIDE WALLS (allow freezer to warm up so the cloth will not stick)

To help remove odors, you can wash the inside of the refrigerator with a mixture of baking soda and warm water. Mix 2 tablespoons of baking soda to 1 quart of water (26 g soda to 1 liter water.) Be sure the baking soda is completely dissolved so it does not scratch the surfaces of the refrigerator.

! CAUTION: While cleaning the inside, do not spray water.

DOOR LINERS AND GASKETS

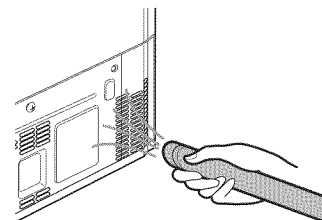
Use a clean sponge or soft cloth and a mild detergent in warm water. Do not use cleaning waxes, concentrated detergents, bleaches, or cleaners containing petroleum on plastic refrigerator parts.

PLASTIC PARTS (Covers and Panels)

Use a clean sponge or soft cloth and a mild detergent in warm water. Do not use window sprays, abrasive cleansers, or flammable fluids. These can scratch or damage the material.

CONDENSER COILS

Use a vacuum cleaner with an attachment to clean the condenser cover and vents. Do not remove the panel covering the condenser coil area.



LIGHT BULB REPLACEMENT

⚠ WARNING

Electrical Shock Hazard

Before replacing a Compartment Lamp, either unplug the refrigerator or turn off power at the circuit breaker or fuse box.

NOTE: The refrigerator and freezer compartment lights are LED interior lighting, and service should be performed by a qualified technician.

POWER INTERRUPTIONS

1. If the power will be out for 24 hours or less, keep all refrigerator doors closed to help foods stay cold and frozen.
2. If the power will be out for more than 24 hours, remove all frozen food and store it in a frozen food locker.

WHEN YOU GO ON VACATION

If you choose to leave the refrigerator on while you are away, follow these steps to prepare your refrigerator before you leave.

1. Use up any perishables and freeze other items.
2. Turn off the icemaker and empty the ice bin.

If you choose to turn the refrigerator off before you leave, follow these steps.

1. Remove all food from the refrigerator.
2. Depending on your model, set the thermostat control (refrigerator control) to OFF. See the **Setting the Controls** section.
3. Clean the refrigerator, wipe it and dry well.
4. Tape rubber or wood blocks to the tops of both doors to prop them open far enough for air to get in. This stops odor and mold from building up.

WHEN YOU MOVE

When you are moving your refrigerator to a new home, follow these steps to prepare it for the move.

1. Remove all food from the refrigerator and pack all frozen food in dry ice.
2. Unplug the refrigerator.
3. Clean, wipe and dry thoroughly.
4. Take out all removable parts, wrap them well and tape them together so they do not shift and rattle during the move. Refer to the **Using your Refrigerator** section for removal instructions.
5. Depending on the model, raise the front of the refrigerator so it rolls more easily OR screw in the leveling legs all the way so they do not scrape the floor. See the **Door Closing** section.
6. Tape the doors shut and tape the power cord to the refrigerator cabinet.

When you get to your new home, put everything back and refer to the **Refrigerator Installation** section for preparation instructions.

CONNECTING THE WATER LINE

BEFORE YOU BEGIN

This water line installation is not covered by the refrigerator warranty. Follow these instructions carefully to minimize the risk of expensive water damage.

Water hammer (water banging in the pipes) in house plumbing can cause damage to refrigerator parts and can lead to water leakage or flooding. Call a qualified plumber to correct water hammer before installing the water supply line to the refrigerator.

To prevent burns and product damage, only connect the refrigerator water line to a cold water supply.

If you use your refrigerator before connecting the water line, make sure the icemaker power switch is in the **OFF (O)** position.

Do not install the icemaker tubing in areas where temperatures fall below freezing.

WATER PRESSURE

The water pressure must be between 20 and 120 psi on models without a water filter and between 40 and 120 psi on models with a water filter.

If a **reverse osmosis water filtration system** is connected to your cold water supply, this water line installation is not covered by the refrigerator warranty. Follow these instructions carefully to minimize the risk of expensive water damage.

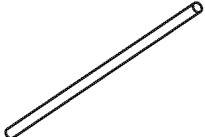
If a **reverse osmosis water filtration system** is connected to your cold water supply, the water pressure to the reverse osmosis system needs to be a minimum of 40 to 60 psi (2.8 kgf/cm² ~ 4.2 kgf/cm², less than 2.0~3.0 sec. to fill a cup of 7 oz capacity).

If the water pressure from the reverse osmosis system is less than 21 psi or 1.5 kgf/cm² (takes more than 4.0 sec to fill a cup of 7 oz capacity):

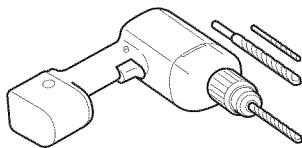
- Check to see if the sediment filter in the reverse osmosis system is blocked. Replace the filter if necessary.
- Allow the storage tank on the reverse osmosis system to refill after heavy usage.
- If the issue concerning water pressure from reverse osmosis remains, call a licensed, qualified plumber.
- All installations must be in accordance with local plumbing code requirements.

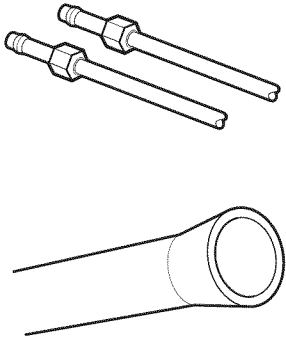
CAUTION: Wear eye protection during installation to prevent injury.

WHAT YOU WILL NEED

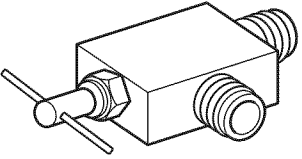
- **Copper Tubing**, 1/4 in. outer diameter, to connect the refrigerator to the water supply. Be sure both ends of the tubing are cut square. 
- To determine how much tubing you need: measure the distance from the water valve on the back of the refrigerator to the water supply pipe. Then, add 8 feet (2.4 m). Be sure there is sufficient extra tubing (about 8 feet [2.4 m] coiled into 3 turns of about 10 in. [25 cm] diameter) to allow the refrigerator to move out from the wall after installation.

- **Power drill.**
- **1/2 in. or adjustable wrench.**
- **Flat blade and Phillips head screwdrivers.**

- **Two 1/4 in. outer diameter compression nuts and 2 ferrules (sleeves)** to connect the copper tubing to the shutoff valve and the refrigerator water valve. 

- If your existing copper water line has a flared fitting at the end, you will need an **adapter** (available at plumbing supply stores) to connect the water line to the refrigerator OR you can cut off the flared fitting with a tube cutter and then use a compression fitting. 

- **Shutoff valve to connect to the cold water line.** The shutoff valve should have a water inlet with a minimum inside diameter of 5/32 in. at the point of connection to the COLD WATER LINE.

Saddle-type shutoff valves are included in many water supply kits. Before purchasing, make sure a saddle-type valve complies with your local plumbing codes. 

NOTE: A Self Piercing Saddle Type Water Valve should not be used.

WARNING

Electrical Shock Hazard

When using any electrical device (such as a power drill) during installation, be sure the device is battery powered, double insulated or grounded in a manner that will prevent the hazard of electric shock.

INSTALLATION INSTRUCTIONS

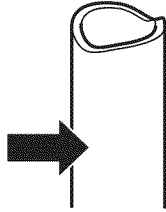
Install the shutoff valve on the nearest frequently used drinking water line.

1. SHUT OFF THE MAIN WATER SUPPLY

Turn on the nearest faucet to relieve the pressure on the line.

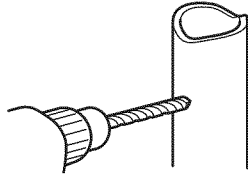
2. CHOOSE THE VALVE LOCATION

Choose a location for the valve that is easily accessible. It is best to connect into the side of a vertical water pipe. When it is necessary to connect into a horizontal water pipe, make the connection to the top or side, rather than at the bottom, to avoid drawing off any sediment from the water pipe.



3. DRILL THE HOLE FOR THE VALVE

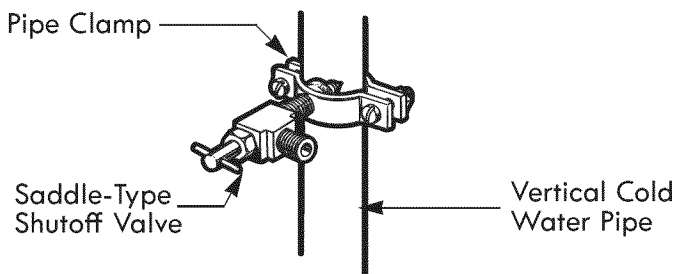
Drill a 1/4 in. hole in the water pipe using a sharp bit. Remove any burrs resulting from drilling the hole in the pipe. Be careful not to allow water to drain into the drill. Failure to drill a 1/4 in. hole may result in reduced ice production or smaller cubes.



NOTE: The hookup line cannot be white, plastic tubing. Licensed plumbers must use only copper tubing (NDA tubing #49595 or #49599) or Cross Link Polyethylene (PEX) tubing.

4. FASTEN THE SHUTOFF VALVE

Fasten the shutoff valve to the cold water pipe with the pipe clamp.

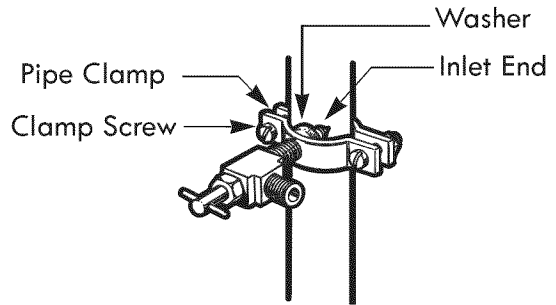


NOTE: Commonwealth of Massachusetts Plumbing Codes 248CMR shall be adhered to. Saddle valves are illegal and their use is not permitted in Massachusetts. Consult with your licensed plumber.

5. TIGHTEN THE PIPE CLAMP

Tighten the clamp screws until the sealing washer begins to swell.

NOTE: Do not overtighten the clamp or you may crush the tubing.



6. ROUTE THE TUBING

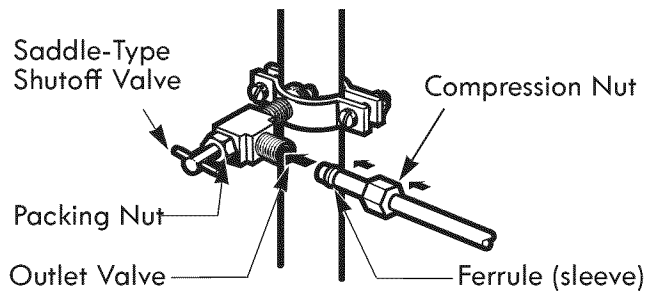
Route the tubing between the cold water line and the refrigerator.

Route the tubing through a hole drilled in the wall or floor (behind the refrigerator or adjacent base cabinet) as close to the wall as possible.

NOTE: Be sure there is sufficient extra tubing (about 8 feet coiled into 3 turns of about 10 in. diameter) to allow the refrigerator to move out from the wall after installation.

7. CONNECT THE TUBING TO THE VALVE

Place the compression nut and ferrule (sleeve) for the copper tubing onto the end of the tubing and connect it to the shutoff valve. Make sure the tubing is fully inserted into the valve. Tighten the compression nut securely.

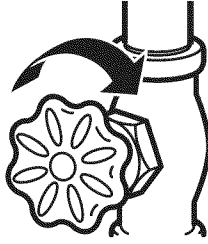


NOTE: Commonwealth of Massachusetts Plumbing Codes 248CMR shall be adhered to. Saddle valves are illegal and their use is not permitted in Massachusetts. Consult with your licensed plumber.

8. FLUSH OUT THE TUBING

Turn the main water supply on and flush out the tubing until the water is clear.

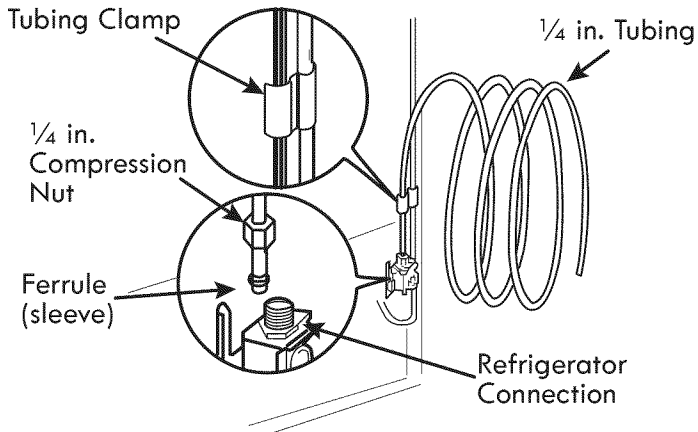
Shut the water off at the water valve after about one quart of water has been flushed through the tubing.



9. CONNECT THE TUBING TO THE REFRIGERATOR

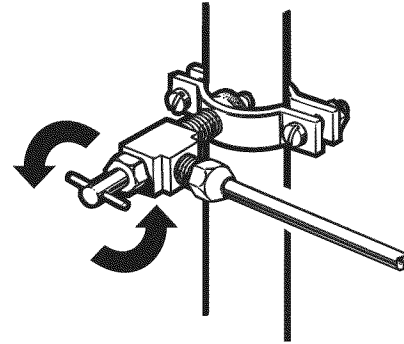
NOTE: Before making the connection to the refrigerator, be sure that the refrigerator power cord is not plugged into the wall outlet.

1. Remove the plastic flexible cap from the water valve.
2. Place the compression nut and ferrule (sleeve) onto the end of the tubing as shown.
3. Insert the end of the copper tubing into the connection as far as possible. While holding the tubing, tighten the fitting.



10. TURN THE WATER ON AT THE SHUTOFF VALVE

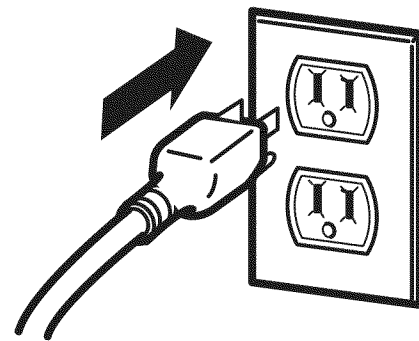
Tighten any connections that leak.



CAUTION: Check to see if leaks occur at the water line connections.

11. PLUG IN THE REFRIGERATOR

Arrange the coil of tubing so that it does not vibrate against the back of the refrigerator or against the wall. Push the refrigerator back to the wall.



12. START THE ICEMAKER

Set the icemaker power switch to the **ON** position.

The icemaker will not begin to operate until it reaches its operating temperature of 15°F (-9°C) or below. It will then begin operation automatically if the icemaker power switch is in the **ON (I)** position.

TROUBLESHOOTING GUIDE

UNDERSTANDING SOUNDS YOU MAY HEAR

Your new refrigerator may make sounds that your old one did not make. Most of the new sounds are normal. Hard surfaces, like the floor, walls and cabinets, can make the sounds seem louder than they actually are. The following describes the kinds of sounds you may hear and what may be causing them.

Clicking:

The defrost control will click when the automatic defrost cycle begins and ends. The thermostat control (or refrigerator control, depending on the model) will also click when cycling on and off.

Rattling:

Rattling noises may come from the flow of refrigerant, the water line, or items stored on top of the refrigerator.

Whooshing:

- Evaporator fan motor circulating the air through the refrigerator and freezer compartments.
- Air being forced over the condenser by the condenser fan.
- Ice compartment fan in the freezer on the left side of the refrigerator when the doors are open.

Gurgling:

As each cycle ends, you may hear a gurgling sound caused by the refrigerant flowing through the cooling system.

Popping:

Contraction and expansion of the inside walls.

Sizzling:

Water dripping on the defrost heater during a defrost cycle.

Vibrating Noise:

If the side or back of the refrigerator is touching a cabinet or wall, some of the normal vibrations may make an audible sound. To eliminate the noise, make sure that the sides and back cannot vibrate against any wall or cabinet.

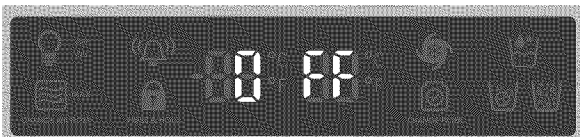
Dripping:

Water running into the drain pan during the defrost cycle.

Pulsating or High-Pitched Sound:

Your refrigerator is designed to run more efficiently to keep your food items at the desired temperature. The high efficiency compressor may cause your new refrigerator to run longer than your old one, but is still more energy efficient than previous models. While the refrigerator is running, it is normal to hear a pulsating or high-pitched sound.

Problem	Possible Causes	Solutions
Refrigerator is not cooling.	The power supply cord is unplugged.	Firmly plug the cord into a live outlet with proper voltage (see Electrical & Grounding Requirements).
	A household fuse has blown or a circuit breaker has tripped.	Replace the fuse or reset the circuit breaker. If the problem persists, contact an electrician.
	The refrigerator control is set to the OFF position.	Refer to the Setting the Controls section.
	The refrigerator is in the defrost cycle.	Wait about 30 minutes for defrost cycle to end.
	The refrigerator is in Demo Mode.	The Demo Mode allows the lights and control display to work normally while disabling the cooling system to save energy while on the showroom floor. To disable Demo Mode, open one door, then press and hold the Ultra Ice and Refrigerator Temp. buttons for five seconds. Once disabled, OFF will disappear and the previous temperature settings will be displayed (refer to Setting the Controls for recommended temperatures).



Problem	Possible Causes	Solutions
Lights do not work.	The power supply cord is unplugged.	Firmly plug the cord into a live outlet with proper voltage (refer to Electrical & Grounding Requirements).
	Interior lights have malfunctioned.	The interior lights are LED lighting, and repair service must be performed by a qualified technician.
Vibration or rattling noise.	The refrigerator is not resting solidly on the floor.	Floor is weak or uneven or leveling legs need adjusting. See the Installation section for leveling instructions.
Compressor seems to run too much.	The refrigerator that was replaced was an older model.	Modern refrigerators require more operating time but use less energy due to more efficient technology.
	The room temperature is warmer than normal.	The compressor will run longer under warm conditions. At normal room temperatures (70°F) expect your compressor to run about 40% to 80% of the time. Under warmer conditions, expect it to run even more often. The refrigerator should not be operated above 110°F.
	The door is opened often or a large amount of food has just been added.	Adding food and opening the door warms the refrigerator, requiring the compressor to run longer in order to cool the refrigerator back down. In order to conserve energy, try to get everything you need out of the refrigerator at once, keep food organized so it is easy to find, and close the door as soon as the food is removed. Refer to the Food Storage Guide .
	The refrigerator was recently plugged in and the refrigerator control was set correctly.	The refrigerator will take up to 24 hours to cool completely.
	The refrigerator control is not set correctly for the surrounding conditions.	See the Adjusting Control Settings section.
	The doors are not closed completely.	Firmly push the doors shut. If they will not shut all the way, see “Doors will not close completely” in the Troubleshooting section.
	The back cover is dirty.	This prevents air transfer and makes the motor work harder. Clean the back cover. Refer to the Care and Cleaning section.
The refrigerator seems to make too much noise.	The sounds may be normal for your refrigerator.	Refer to the Understanding Sounds You May Hear section for more information.

TROUBLESHOOTING GUIDE

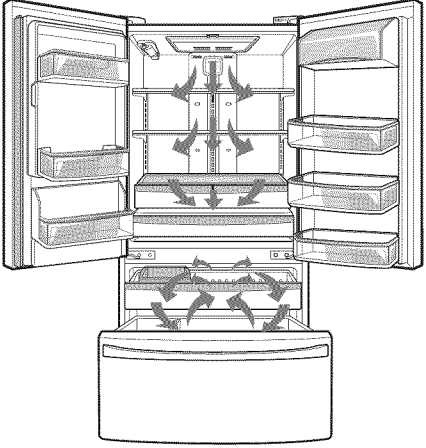
Problem	Possible Causes	Solutions
Doors will not close completely.	The refrigerator is not level.	See the Leveling and Door Alignment section.
	Food packages are blocking the door open.	Rearrange food containers to clear door and door shelves.
	The ice bin, crisper cover, pans, shelves, door bins or baskets are out of position.	Push bins all the way in and put crisper cover, pans, shelves and baskets into their correct positions. See the Using Your Refrigerator section for more information.
	The gaskets are sticking.	Clean gaskets and the surfaces that they touch. Rub a thin coat of appliance polish or kitchen wax on the gaskets after cleaning.
	The refrigerator wobbles or seems unstable.	Level the refrigerator. Refer to the Leveling and Door Alignment section for more information.
	The doors were removed during product installation and not properly replaced.	Remove and replace the doors according to the Removing and Replacing Refrigerator Handles and Doors section, or call a qualified technician.
	Articulating Mullion is out of position.	Rotate the articulating mullion to the closed position and reattempt to shut the door. Refer to Refrigerator Features for more information on the articulating mullion.
Frost or ice crystals on frozen food.	The door is not closing properly.	See “Doors will not close completely” in the Troubleshooting section.
	The door is opened often.	When the door is opened, warm, humid air is allowed in the freezer, resulting in frost.
Ice has bad taste or odor.	The icemaker was recently installed.	Discard the first few batches of ice to avoid discolored or bad tasting ice.
	The ice has been stored for too long.	Throw away old ice and make a new supply.
	The food has not been wrapped tightly in either compartment.	Rewrap foods since odors may migrate to the ice if food is not wrapped properly.
	The water supply contains minerals such as sulfur.	A water filter may need to be installed to eliminate taste and odor problems.
	The interior of the refrigerator needs cleaning.	See the Care and Cleaning section for more information.
	The ice storage bin needs cleaning.	Empty and wash bin. Discard old cubes.
There is water in the defrost drain pan.	The refrigerator is defrosting.	The water will evaporate. It is normal for water to drip into the defrost pan.
	It is more humid than normal.	Expect that the water in the defrost pan will take longer to evaporate. This is normal when it is hot or humid.

Problem	Possible Causes	Solutions
The icemaker is not producing ice or not enough ice.	New installation.	Wait 12 to 24 hours after icemaker installation for ice production to begin. Wait 72 hours for full ice production.
	The refrigerator is not connected to a water supply or the supply shutoff valve is not turned on.	Connect the refrigerator to the water supply and turn the water shutoff valve fully open.
	Reverse osmosis water filtration system is connected to your cold water supply.	Reverse osmosis filtration systems can reduce the water pressure below the minimum amount and result in icemaker issues. Refer to the Water Pressure section.
	Kink in the water source line.	A kink in the line can reduce water flow. Straighten the water source line.
	Ice demand has exceeded storage capacity.	The icemaker will produce approximately 100 cubes in a 24 hour period. NOTE: An extra ice bucket is provided in the freezer section for additional storage capacity.
	The icemaker is not turned on.	Locate the icemaker ON/OFF switch and confirm it is in the ON (I) position.
	There is something on the ice-detecting sensor.	Foreign substances or frost on the ice-detecting sensor can interrupt ice production. Make sure the sensor area is clean at all times for proper operation.
	The temperature setting for the freezer is too warm.	The recommended temperature for the freezer compartment for normal ice production is 0°F. If the freezer temperature is warmer, ice production will be affected.
	The doors are opened often.	If the doors of the unit are opened often, ambient air will warm the refrigerator which will prevent the unit from maintaining the set temperature. Lowering the refrigerator temperature can help, as well as not opening the doors as frequently.
	The doors are not closing properly.	If the doors are not properly closed, ice production will be affected. See “Doors will not close completely” in the Troubleshooting section for more information.
The ice compartment door is not closing properly.	If the ice compartment door is not properly closed, ice production will be affected. Make sure that the ice compartment door is closed for proper operation. Refer to the Refrigerator Features section.	
Ultra Ice is not selected.	Ultra Ice increases ice production by lowering the freezer compartment temperature. Refer to Setting the Controls for more information.	

TROUBLESHOOTING GUIDE

Problem	Possible Causes	Solutions
Not dispensing ice.	Not all of the doors are closed completely.	Ice will not dispense if any of the refrigerator doors are left open.
	The dispenser display is locked.	Press and hold the Lock button for 3 seconds to unlock the control panel and dispenser.
	Ice is not selected on the dispenser.	The dispenser can be set for ice or water. Make certain that the control panel is set for the proper operation. Press the Ice Select button on the control panel to cycle through the ice options.
	The ice dispenser is not used often.	Infrequent use of the ice dispenser will cause the cubes to stick together over time, which will prevent them from properly dispensing. Check the ice bin for ice cubes clumping/sticking together. If they are, break up the ice cubes to allow for proper operation.
	Ice bin is not installed correctly.	Be sure to correctly install the ice bin into position. Refer to Using your Refrigerator for removal and installation instructions.
	New installation.	Wait 12 to 24 hours after icemaker installation for ice production to begin. Wait 72 hours for full ice production.
	The delivery chute is clogged with frost or ice fragments.	Eliminate the frost or ice fragments by removing the ice bin and clearing the chute with a plastic utensil. Dispensing cubed ice can also help prevent frost or ice fragment buildup.
Dispensing warm water.	New installation.	Allow 24 hours after installation for the water storage tank to cool completely.
	The water dispenser has been used recently and the storage tank was exhausted.	The unit has a 12 oz water storage tank inside the refrigerator.
	The refrigerator is connected to a hot water line.	Make sure the refrigerator is connected to a cold water pipe.
Refrigerator or Freezer section is too cold.	Controls are not set correctly for conditions.	If the temperature is too cold, raise the temperature setting one increment at a time (refer to the Setting the Controls section). When changing control settings, wait 24 hours before making additional adjustments.

Problem	Possible Causes	Solutions
Not dispensing water.	The dispenser panel is locked.	Press and hold the Lock button for 3 seconds to unlock the control panel and dispenser.
	New installation.	Flush and fill the water system.
	Refrigerator or freezer doors are not closed properly.	Water will not dispense if any of the refrigerator doors are left open.
	The refrigerator is not connected to a water supply or the supply shutoff valve is not turned on.	Connect the refrigerator to the water supply and turn the water shutoff valve fully open.
	Home filter or reverse osmosis system is used.	This can decrease water pressure. For optimal operation, do not connect the supply line to a reverse osmosis system. Refer to the Water Pressure section.
	The dispenser is not set for water dispensing.	The dispenser can be set for ice or water. Make certain that the control panel is set for the proper operation. Press the Water button on the control panel to dispense water.
	The water filter needs to be changed.	The water filter should be changed every 6 months or more often depending on usage. The water filter can become blocked over time with foreign particles and reduce the water pressure.
The doors are difficult to open.	The gaskets are dirty or sticky.	Clean the gaskets and the surfaces that they touch. Rub a thin coat of appliance polish or kitchen wax on the gaskets after cleaning.
	The door is reopened within a short time after having been opened.	When you open the door, warmer air enters the refrigerator. As the warm air cools, it can create a vacuum. If the door is hard to open, wait one minute to allow the air pressure to equalize, then see if it opens more easily.
Frozen food in refrigerator compartment.	The temperature control in the refrigerator compartment is set too cold.	Press the Refrigerator Temp. button to set the refrigerator compartment to a warmer temperature.
	Refrigerator is installed in a cold location.	When room temperature is below 41°F (5°C), food can freeze. The refrigerator should not be operated in temperatures below 55°F (13°C).
	Food with a high water content was placed too close to the cold air discharge vent.	Place food with a high water content toward the front of the refrigerator.

Problem	Possible Causes	Solutions
<p>Temperature is too warm or there is interior moisture buildup.</p>	<p>The air vents are blocked. Cold air circulates from the freezer to the fresh food section and back again through air vents in the wall dividing the two sections.</p>	<p>Locate air vents by using your hand to sense airflow and move all packages that block vents and restrict airflow. (See air flow diagram below.)</p> 
	<p>The doors are opened often.</p>	<p>Opening the door warms the refrigerator, requiring the compressor to run longer in order to cool the refrigerator back down. In order to conserve energy, try to get everything you need out of the refrigerator at once, keep food organized so it is easy to find, and close the door as soon as the food is removed.</p>
	<p>The control is not set correctly for the surrounding conditions.</p>	<p>If the temperature is too warm, change the setting one increment at a time (see the Adjusting Control Settings section). Refer to the Setting the Controls section. Wait 24 hours for temperatures to stabilize or even out.</p>
	<p>A large amount of food has just been added to the refrigerator or freezer.</p>	<p>Adding food warms the refrigerator. It can take a few hours for the refrigerator to return to normal temperature.</p>
	<p>The food is not packaged correctly.</p>	<p>Wrap food tightly and wipe off damp containers prior to storing in the refrigerator to avoid moisture accumulation. If necessary, repackage food according to the guidelines in the Food Storage Guide section.</p>
	<p>The doors are not closing completely.</p>	<p>See “Doors will not close completely” in the Troubleshooting section.</p>
	<p>The weather is humid.</p>	<p>In humid weather, air carries moisture into the refrigerator when the doors are opened. Increased humidity in the freezer or refrigerator compartments can lead to frost or condensation.</p>
	<p>An automatic defrost cycle was completed.</p>	<p>It is normal for droplets to form on the interior back wall after the refrigerator automatically defrosts.</p>

Kenmore Connect™ (on some models)

Should you experience any problems with your refrigerator, it has the capability of transmitting data via your telephone to the Kenmore Connect™ Team. This gives you the capability of speaking directly to our trained specialists. The specialist records the data transmitted from your machine and uses it to analyze the issue, providing a fast and effective diagnosis.

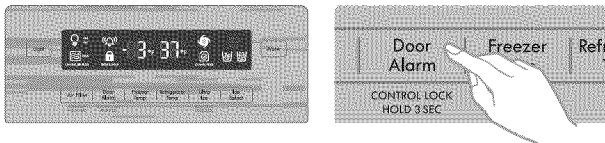
If you experience problems with your refrigerator, call 1-800-4-MY-HOME®. Only use the Kenmore Connect™ System feature when instructed to do so by the Kenmore Connect™ Team. The transmission sounds that you will hear are normal and sound similar to a fax machine.

Kenmore Connect™ cannot be activated unless your refrigerator is connected to power. If your refrigerator is unable to turn on, then troubleshooting must be done without using Kenmore Connect™.

Using Kenmore Connect™

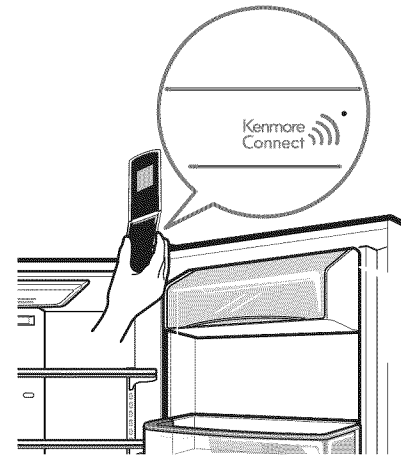
First, call 1-800-4-MY-HOME® (1-800-469-4663). If the number of the phone you are using is on file and is associated with your refrigerator, you will be quickly relayed to a Kenmore Connect™ Team agent. Only use the Kenmore Connect™ feature when instructed to do so by the Kenmore Connect™ Team agent.

1. Lock the display. To lock the display, press and hold the Door Alarm button for three seconds. (If the display has been locked for over five minutes, you must deactivate the lock and then reactivate it.)

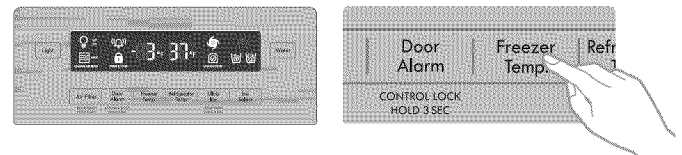


2. Open the right refrigerator door.

3. Hold the mouthpiece of your phone in front of the speaker that is located on the right hinge of the refrigerator door, when instructed to do so by the call center.



4. Press and hold the Freezer Temp button for three seconds while continuing to hold your phone to the speaker.



5. After you hear three beeps, release the Freezer Temp button.
6. Keep the phone in place until the tone transmission has finished. The display will count down the time. Once the countdown is over and the tones have stopped, resume your conversation with the specialist, who will then be able to assist you in using the information transmitted for analysis.

NOTE:

- For best results, do not move the phone while the tones are being transmitted.
- If the call center agent is not able to get an accurate recording of the data, you may be asked to try again.
- Call quality differences by region may affect the Kenmore Connect™ function.
- For best results, use Kenmore Connect™ with a landline phone.
- Bad call quality may result in poor data transmission from your phone to the machine, which could cause Kenmore Connect™ to malfunction.

TABLE DES MATIÈRES

Garantie	91	► Compartiment congélateur	
Contrats de protection	92	Bac à glace supplémentaire.....	115
Consignes de sécurité importantes	93-95	Durabase.....	115
Conditions électriques et de mise à la masse	95	Diviseur du Durabase	115
Pièces et fonctionnalités	96	Tiroir coulissant.....	116
Installation du réfrigérateur	97-104	Filtre à eau	117-120
Déballage du réfrigérateur	97	Entretien et nettoyage	121-122
Installation.....	98	Conseils de nettoyage généraux	121
Retrait/remise en place des poignées et des portes du congélateur.....	99-103	Exterieur	121
Mise à niveau et alignement des portes ...	104	Parois intérieures	121
Utilisation du réfrigérateur	105-114	Contre-porte et joints	121
Réglage des contrôles.....	105-106	Pièces en plastique	121
Bac à glace dans la porte.....	107	Serpentins réfrigérants	121
Machine à glaçons automatique.....	108-109	Remplacement d'une ampoule d'éclairage.....	122
Guide de stockage des aliments	110	Coupures de courant	122
► Section réfrigérateur		Lorsque vous partez en vacances.....	122
Distributeur d'eau glacée	111	Lorsque vous déménagez.....	122
Étagères du réfrigérateur	112	Connexion du tuyau d'eau	123-125
Bac à légumes à humidité contrôlée	113	Guide de dépannage	126-132
Tiroir garde-manger à température contrôlée.....	113	Système Kenmore Connect™	133
Bac de porte	114	Service	Plat verso
Bac à produits laitiers.....	114		
Filtre d'air	114		



GARANTIE DU RÉFRIGÉRATEUR

GARANTIE LIMITÉE KENMORE ELITE

AVEC PREUVE D'ACHAT, la couverture de garantie suivante s'applique lorsque cet équipement est correctement installé, utilisé et entretenu conformément à l'ensemble des consignes fournies. Pour organiser un service de garantie, appelez le 1-800-4-MY-HOME® (1-800-469-4663).

- PENDANT UN AN à compter de sa date d'achat, cet appareil est garanti contre tout défaut de matériel et de main d'œuvre. Tout appareil défectueux sera réparé ou remplacé gratuitement, à la seule discrétion du vendeur. Cette couverture de garantie ne s'applique que pendant 90 jours à compter de la date d'achat aux États-Unis, et est nulle au Canada, si l'appareil est utilisé à d'autres fins que personnelles et domestiques.
- PENDANT CINQ ANS à compter de sa date d'achat, le système de réfrigération fermé de cet appareil est garanti contre tout défaut de matériel et de main d'œuvre. De nouveaux composants du système seront fournis gratuitement pour remplacer les éléments défectueux. Le coût de la main d'œuvre pour l'installation du composant sera à votre charge à compter d'un an après la date d'achat. Cette couverture de garantie s'applique seulement pendant un an à compter de la date d'achat aux États-Unis, et est nulle au Canada, si l'appareil est utilisé à d'autres fins que personnelles et domestiques.
- PENDANT DIX ANS à compter de sa date d'achat, le compresseur linéaire de cet appareil est garanti contre tout défaut de matériel et de main d'œuvre. Un nouveau compresseur linéaire vous sera fourni gratuitement. Le coût de la main d'œuvre pour l'installation du composant sera à votre charge à compter d'un an après la date d'achat. Cette couverture de garantie s'applique seulement pendant deux ans à compter de la date d'achat aux États-Unis, et est nulle au Canada, si l'appareil est utilisé à d'autres fins que personnelles et domestiques.

Cette garantie NE COUVRE QUE les défauts de matériel et de main d'œuvre, et NE COUVRIRA PAS :

1. Les éléments consommables pouvant s'user dans le cadre d'une utilisation normale, y compris notamment les filtres, courroies, ampoules électriques à culot à vis et sacs.
2. Le technicien de service pour former l'utilisateur à l'installation, à l'utilisation ou à l'entretien correct du produit.
3. Le technicien de service pour nettoyer ou entretenir le produit.
4. Le dommage ou la panne du produit si celui-ci n'est pas installé, utilisé ou entretenu conformément à l'ensemble des consignes fournies avec celui-ci.
5. Le dommage ou la panne du produit suite à un accident, une utilisation abusive, une mauvaise utilisation ou une utilisation à d'autres fins que celles pour lesquelles le produit a été conçu.
6. Le dommage ou la panne du produit causé par l'utilisation de détergents, de produits nettoyants, chimiques ou d'ustensiles autres que ceux recommandés dans l'ensemble des consignes fournies avec celui-ci.
7. Le dommage ou la panne de pièces ou de systèmes résultant de modifications non autorisées de ce produit.

Exclusion des garanties implicites, limitation des recours

Le seul et unique recours du client dans le cadre de cette garantie limitée sera la réparation ou le remplacement du produit comme indiqué dans ce document. Les garanties implicites, y compris les garanties de valeur marchande ou d'adaptation à un usage particulier, sont limitées à un an ou à la plus courte période établie par la loi. Le vendeur ne saurait être responsable en cas de dommages accidentels ou indirects. Certains États ou provinces ne permettent pas l'exclusion ou la limitation des dommages accidentels ou indirects, ou la limitation de la durée d'application des garanties implicites de valeur marchande ou d'adaptation, auquel cas ces exclusions ou limitation ne s'appliqueront pas à votre cas.

Cette garantie ne s'applique que lorsque cet appareil est utilisé aux États-Unis ou au Canada*.

Cette garantie vous accorde des droits légaux spécifiques, et vous pouvez également bénéficier d'autres droits pouvant varier en fonction des États.

* Le service de réparation à domicile n'est pas disponible dans toutes les zones géographiques canadiennes, et cette garantie ne couvrira pas non plus les frais de transport et de déplacement de l'utilisateur ou du dépanneur si le produit est situé dans une zone isolée (telle que définie par Sears Canada Inc.) dans laquelle aucun dépanneur certifié n'est disponible.

Sears Brands Management Corporation, Hoffman Estates, IL 60179
Sears Canada Inc., Toronto, Ontario, Canada M5B 2C3

CONTRATS DE PROTECTION

Contrats de protection étendue

Nous vous remercions d'avoir choisi notre produit. Votre nouveau produit Kenmore Elite® est conçu et fabriqué pour garantir des années de fiabilité. Mais comme tous les produits, il peut nécessiter à l'occasion un entretien préventif ou une réparation. C'est pourquoi un contrat de protection étendue peut vous permettre d'économiser de l'argent et d'éviter toute aggravation.

Le contrat de protection étendue contribue également à prolonger la durée de vie de votre nouveau produit. Le contrat* inclut notamment :

- **Les pièces et la main-d'œuvre** requis pour garantir le bon fonctionnement des produits **dans le cadre d'une utilisation normale**, et non simplement les défauts. Notre couverture **va bien au-delà de la garantie du produit**. Aucune défaillance fonctionnelle n'est exclue de cette couverture — **protection réelle**.
- **Services d'experts** par plus de **10 000 techniciens d'entretien agréés Sears**, ce qui signifie que vous pouvez être certain qu'une personne qualifiée interviendra sur votre produit.
- **Appels d'intervention illimités et service à l'échelle du pays**, aussi souvent que vous le souhaitez, où que vous vous trouviez.
- **Garantie « anti-citron »** – remplacement du produit couvert si quatre défaillances se produisent en moins de douze mois.
- **Remplacement du produit** si le produit couvert ne peut pas être réparé.
- **Contrôle de maintenance préventive annuel** à votre demande, sans frais supplémentaires.
- **Aide rapide au téléphone** – nous l'appelons **Résolution rapide** – assistance téléphonique d'un agent Sears pour tous les produits. Ce sera votre « manuel de l'utilisateur parlant ».

- **Protection contre les surtensions** contre les dommages électriques dus à des fluctuations de tension.
- **Protection contre les pertes de nourriture de 250 \$** annuellement pour toute détérioration de nourriture résultant d'une panne mécanique d'un réfrigérateur ou congélateur couvert.
- **Remboursement de location** si la réparation du produit couvert est plus longue que promise.
- **25% de remise** sur le prix normal d'un service de réparation non couvert et des pièces installées associées.

Une fois le contrat acheté, un simple appel téléphonique suffit pour programmer une intervention. Vous pouvez appeler à toute heure du jour et de la nuit, ou programmer un rendez-vous d'entretien en ligne.

Le contrat de protection étendue est un achat sans risque. Si vous l'annulez pour une raison quelconque au cours de la période de garantie du produit, nous effectuerons un remboursement complet ou un remboursement au prorata à tout moment après l'expiration de la période de garantie. Achetez dès aujourd'hui votre contrat de protection étendue!

Certaines restrictions et exclusions s'appliquent.

Pour les prix et des informations supplémentaires aux États-Unis composez le 1-800-827-6655.

*** La couverture au Canada varie sur certains articles. Pour plus de détails, appelez Sears Canada au 1-800-361-6665.**

Service d'installation Sears

Pour une installation professionnelle Sears d'appareils électroménagers, ouvertures de porte de garage, chauffe-eau, et autres articles domestiques majeurs, aux **États-Unis ou au Canada, composez le 1-800-4-MY-HOME®**.

ENREGISTREMENT DU PRODUIT

Dans l'espace ci-dessous, notez la date d'achat, le modèle et le numéro de série du produit. Le modèle et le numéro de série sont indiqués sur une étiquette d'identification située à l'intérieur du compartiment réfrigérateur. Ayez ces informations sous la main lorsque vous contactez Sears au sujet de votre produit.

Numéro de modèle _____

Date d'achat _____

Numéro de série. _____

Conservez ces instructions et agrafez votre preuve d'achat pour une référence ultérieure.

CONSIGNES DE SÉCURITÉ IMPORTANTES

PRÉCAUTIONS DE SÉCURITÉ DE BASE

Ce guide contient des consignes de sécurité importantes. **Lisez et observez** toujours toutes les consignes de sécurité.



Voici le symbole d'alerte de sécurité. Il signale les messages de sécurité qui vous informent des dangers de mort ou de blessures, ou des risques de dommages du produit.

Tous les messages de sécurité seront précédés du symbole d'alerte de sécurité et des mots DANGER, AVERTISSEMENT ou ATTENTION. Ces mots signifient :

! DANGER

Vous **serez** tué ou gravement blessé si vous ne suivez pas les instructions.

! AVERTISSEMENT

Vous **pouvez** être tué ou gravement blessé si vous ne suivez pas les instructions.

! ATTENTION

Indique une situation de danger imminent qui, si elle n'est pas évitée, **pourrait** provoquer une blessure mineure ou modérée, ou endommager le produit.

Tous les messages de sécurité identifient le danger, indiquent comment réduire les risques de blessures, et précisent ce qui pourrait se produire si les instructions ne sont pas suivies.

! AVERTISSEMENT

Pour réduire les risques d'incendie, d'électrocution ou de blessure lors de l'utilisation du produit, les consignes de sécurité de base doivent être suivies, notamment les consignes suivantes.

Lisez toutes les instructions avant d'utiliser cet appareil.

- Ne débranchez JAMAIS le réfrigérateur en tirant sur le cordon d'alimentation. Saisissez toujours fermement la fiche de branchement et tirez sur celle-ci pour la débrancher de la prise.
- Réparez ou remplacez immédiatement tous les cordons d'alimentation effilochés ou endommagés. N'utilisez pas un cordon présentant des craquelures ou des dommages d'abrasion sur toute sa longueur ou au niveau de la fiche ou des connecteurs.
- Ne modifiez pas le cordon d'alimentation et ne le prolongez jamais. Une telle intervention pourrait provoquer une électrocution ou créer des risques d'incendie.
- Lorsque vous devez écarter le réfrigérateur du mur, veillez à ne pas endommager le cordon d'alimentation.

- Ne JAMAIS entreposer ni utiliser d'essence ou autres vapeurs et liquides inflammables à proximité de cet appareil ou de tout autre appareil.
- NE laissez PAS les enfants grimper sur le réfrigérateur ou se pendre aux portes ou aux étagères du réfrigérateur. Ils pourraient endommager le réfrigérateur et se blesser gravement.
- N'approchez jamais les doigts des zones de pincement; les dégagements entre les portes et les armoires sont nécessairement petits. Soyez prudent lors de la fermeture de portes lorsque des enfants se trouvent à proximité.
- Débranchez le réfrigérateur avant de le nettoyer ou d'y apporter des réparations.

REMARQUE : Il est fortement recommandé de confier tout entretien à un technicien qualifié.

CONSERVEZ CES INSTRUCTIONS

⚠ AVERTISSEMENT

- Avant de remplacer une ampoule d'éclairage grillée ou cassée, débranchez le réfrigérateur ou coupez l'alimentation électrique au niveau du disjoncteur ou de la boîte de fusibles pour éviter tout contact avec un fil sous tension. (Une ampoule d'éclairage grillée peut éclater lors de son remplacement exposant alors le filament.)

REMARQUE : Certains modèles sont dotés d'un éclairage intérieur LED dont l'entretien doit être confié à un technicien qualifié.

AVERTISSEMENT : La mise du contrôle sur ARRÊT ne coupe pas l'alimentation du circuit d'éclairage.

- Une fois l'intervention terminée, reconnectez le réfrigérateur à la source électrique et remettez les contrôles (thermostat, contrôle de réfrigérateur ou contrôle de congélateur, selon le modèle) au réglage souhaité.
- Ce réfrigérateur doit être installé conformément aux Instructions à l'intention de l'installateur apposées à l'avant du réfrigérateur.
- Une fois le réfrigérateur mis en marche, ne touchez pas les surfaces froides du compartiment de congélation lorsque vous avez les mains humides ou trempées. La peau pourrait adhérer aux surfaces extrêmement froides.

- NE TOUCHEZ PAS le mécanisme de la machine à glaçons automatique pendant que le réfrigérateur est branché.
- Ne recongelez PAS des aliments ayant complètement décongelé. Le département d'agriculture des États-Unis dans sa publication Home and Garden Bulletin No. 69 précise :

...Vous pouvez recongeler en toute sécurité des aliments ayant décongelé s'ils contiennent toujours des cristaux de glace ou s'ils sont toujours froids, sous 4°C.

...Les viandes hachées, les volailles ou le poisson présentant des odeurs ou étant décolorés ne doivent être ni recongelés ni consommés. La crème glacée décongelée doit être jetée. Si l'odeur ou la couleur d'un aliment semble suspecte, jetez l'aliment. La consommation de l'aliment pourrait être dangereuse.

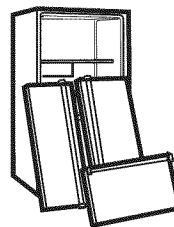
Même une décongélation et une recongélation partielles réduit la qualité sanitaire des aliments, particulièrement pour les fruits, les légumes et les aliments préparés. La qualité sanitaire des viandes rouges est moins exposée que celle des autres aliments. Utilisez les aliments recongelés le plus tôt possible afin de préserver leur qualité au maximum.

- ⚠ **ATTENTION :** Ce produit contient des produits chimiques pouvant, d'après l'État de Californie, causer le cancer ou des malformations congénitales ou autres troubles de la reproduction. Lavez-vous les mains après usage.

CONSERVEZ CES INSTRUCTIONS

⚠ DANGER : RISQUE DE PIÉGEAGE DES ENFANTS

Les réfrigérateurs abandonnés sont dangereux, même s'ils sont laissés sans surveillance seulement quelques jours. Si vous souhaitez vous débarrasser de votre ancien réfrigérateur, veuillez suivre les instructions à droite pour éviter les accidents (piégeage et suffocation des enfants).



AVANT DE JETER VOTRE ANCIEN RÉFRIGÉRATEUR OU CONGÉLATEUR :

- Retirez les portes.
- Laissez les étagères en place afin que les enfants ne puissent pas grimper facilement à l'intérieur.

ÉLIMINATION DES CFC/HCFC

Votre ancien réfrigérateur peut être équipé d'un système utilisant les CFC (chlorofluorocarbones) ou HCFC (hydrochlorofluorocarbones). Il est estimé que les CFC et les HCFC affectent la couche d'ozone lorsqu'ils sont rejetés dans l'atmosphère. D'autres gaz réfrigérants peuvent aussi être nocifs pour l'environnement lorsqu'ils sont rejetés dans l'atmosphère.

Si vous décidez de jeter votre ancien réfrigérateur, assurez-vous que le gaz réfrigérant est retiré de manière appropriée par un technicien qualifié. Si vous retirez intentionnellement le gaz réfrigérant, vous vous exposez à des amendes ou des peines de prison conformément à la législation environnementale applicable.

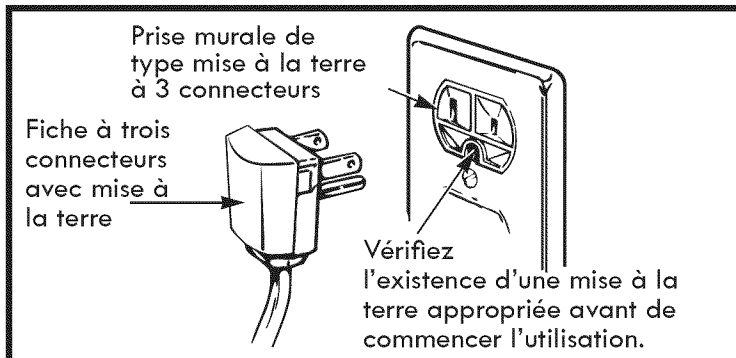
CONDITIONS ÉLECTRIQUES ET DE MISE À LA MASSE

IMPORTANT : Veuillez lire attentivement. POUR EFFECTUER LES BRANCHEMENTS ÉLECTRIQUES

⚠ AVERTISSEMENT

Risque d'électrocution

POUR GARANTIR LA SÉCURITÉ, cet appareil doit être correctement mis à la terre. Faites vérifier la prise murale et le circuit par un électricien qualifié pour vous assurer que la prise est correctement mise à la terre.



MÉTHODE DE MISE À LA TERRE RECOMMANDÉE

Le réfrigérateur doit toujours être branché sur sa propre prise secteur correctement mise à la terre avec des valeurs nominales de 115 volts, 60 Hz, protégée par un fusible de 15 ou 20 ampères. Cela garantit les meilleures performances et évite également une surcharge des circuits domestiques qui pourrait créer un risque d'incendie par surchauffe des fils. Il est recommandé d'utiliser un circuit séparé pour alimenter cet appareil.

Utilisez une prise ne pouvant pas être mise hors tension par un interrupteur. N'utilisez pas de rallonge.

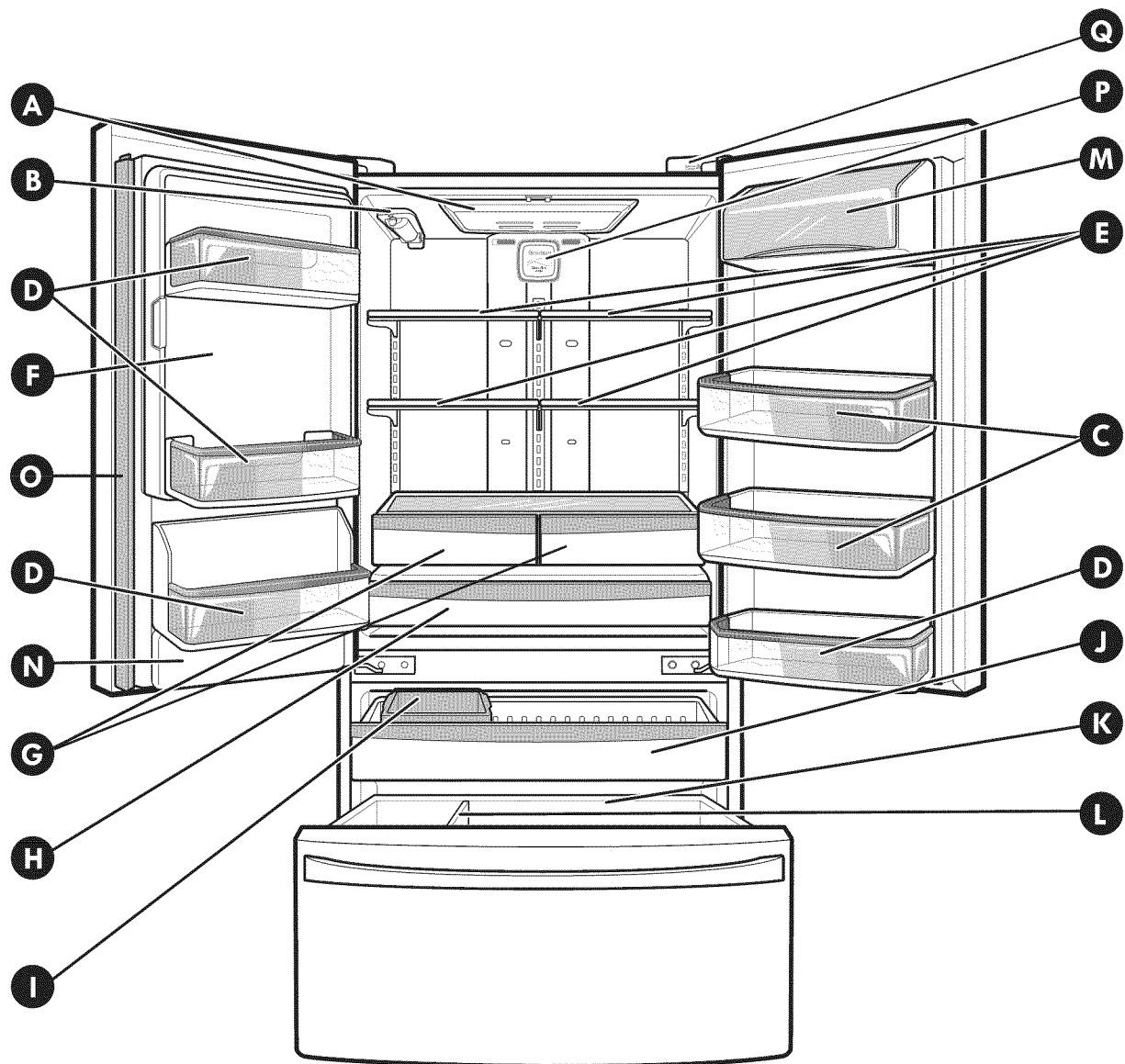
En présence d'une prise à deux connecteurs, vous avez la responsabilité et l'obligation de la remplacer par une prise à 3 connecteurs correctement mise à la terre.

UTILISATION DE RALLONGES

En raison de risques en matière de sécurité dans certaines conditions, l'utilisation d'une rallonge n'est pas recommandée. Cependant, si vous choisissez quand même d'utiliser une rallonge, il est absolument nécessaire d'utiliser une rallonge UL (États-Unis) à 3 conducteurs avec broche de mise à la terre, dont les caractéristiques nominales sont de 15 ampères (minimum) et 120 volts.

L'utilisation d'une rallonge augmente le dégagement requis à l'arrière du réfrigérateur.

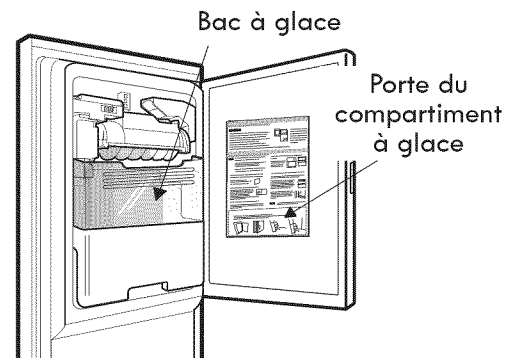
PIÈCES ET FONCTIONNALITÉS



Utilisez cette page pour vous familiariser avec les pièces et les fonctionnalités du réfrigérateur.

REMARQUE : Ce guide couvre plusieurs modèles. Le réfrigérateur que vous avez acheté peut comporter tous les éléments répertoriés ci-dessous ou seulement une partie. Les emplacements des divers éléments indiqués ci-dessus peuvent ne pas correspondre à votre modèle.

- | | |
|--|---|
| A Éclairage du réfrigérateur | I Bac à glaçons supplémentaire |
| B Filtre à eau (intérieur) | J Tiroir coulissant |
| C Bacs de porte ajustables | K Durabase |
| D Bacs de porte fixes | L Diviseur de Durabase |
| E Étagères du réfrigérateur | M Bac à produits laitiers |
| F Emplacement à glace
(Machine à glaçons et bac à glaçons) | N Couvercle du réservoir d'eau |
| G Bac à légumes à humidité contrôlée | O Meneau articulé |
| H Tiroir garde-manger
à température contrôlée | P Filtre à air |
| | Q Haut-parleur
Kenmore Connect™ |



INSTALLATION DU RÉFRIGÉRATEUR

AVERTISSEMENT

Risques liés au poids excessif :

Faites appel à au moins deux personnes pour déplacer et installer le réfrigérateur. Sinon, il y a risque de blessures au dos ou d'autres blessures.

DÉBALLAGE DU RÉFRIGÉRATEUR

Retirez les bandes adhésives et les étiquettes temporaires du réfrigérateur avant de l'utiliser. Ne retirez pas les étiquettes d'avertissement, l'étiquette de numéro de modèle et de numéro de série, ou la fiche signalétique qui se trouve sous la partie avant du réfrigérateur derrière la grille de base.

Pour retirer une bande adhésive ou de la colle résiduelle, frottez la zone concernée avec votre pouce. Les résidus de bande adhésive ou de colle peuvent être facilement retirés en les frottant avec vos doigts et une petite quantité de liquide vaisselle. Essuyez avec de l'eau chaude et séchez.

N'utilisez pas d'instruments pointus, d'alcool à friction, de liquides inflammables ou de nettoyants abrasifs pour retirer des résidus de bande adhésive ou de colle. Ces produits peuvent endommager la surface du réfrigérateur.

Les étagères du réfrigérateur sont installées en position d'expédition. Veuillez réinstaller les étagères en fonction de vos besoins de stockage.

AVERTISSEMENT

Risques liés au poids excessif :

Le réfrigérateur est lourd. Lors du déplacement du réfrigérateur à des fins de nettoyage ou d'entretien, veillez à protéger le sol. Tirez toujours le réfrigérateur en le maintenant bien droit à la verticale lorsque vous le déplacez. Évitez de déplacer le réfrigérateur par basculements successifs, vous risquez d'endommager le sol.

AVERTISSEMENT

Risque d'explosion :

Maintenir les vapeurs et produits inflammables, comme l'essence, loin du réfrigérateur. Sinon, vous risquez de provoquer un incendie, une explosion ou des blessures mortelles.

AVANT L'UTILISATION

1. Nettoyez complètement le réfrigérateur et essuyez la poussière accumulée pendant l'expédition.
2. Installez les accessoires tels que le bac à glaçons, les tiroirs, les étagères, etc., à leurs positions appropriées. Ces éléments sont emballés ensemble pour éviter d'éventuels dommages pendant l'expédition.
3. Laissez le réfrigérateur fonctionner pendant au moins deux à trois heures avant d'y placer des aliments. Contrôlez la circulation d'air froid dans le compartiment du congélateur pour vérifier un refroidissement approprié. Le réfrigérateur est maintenant prêt à être utilisé.

INSTALLATION

Le réfrigérateur doit toujours être branché sur sa propre prise secteur correctement mise à la terre avec des valeurs nominales de 115 volts, 60 Hz, protégée par un fusible de 15 ou 20 ampères. Cela garantit les meilleures performances et évite également une surcharge des circuits domestiques qui pourrait créer un risque d'incendie par surchauffe des fils. Il est recommandé d'utiliser un circuit séparé pour alimenter cet appareil.

⚠ AVERTISSEMENT

Risque d'électrocution :

Pour réduire le risque d'électrocution, n'installez pas le réfrigérateur dans une zone humide ou trempée.

INSTALLATION (suite)

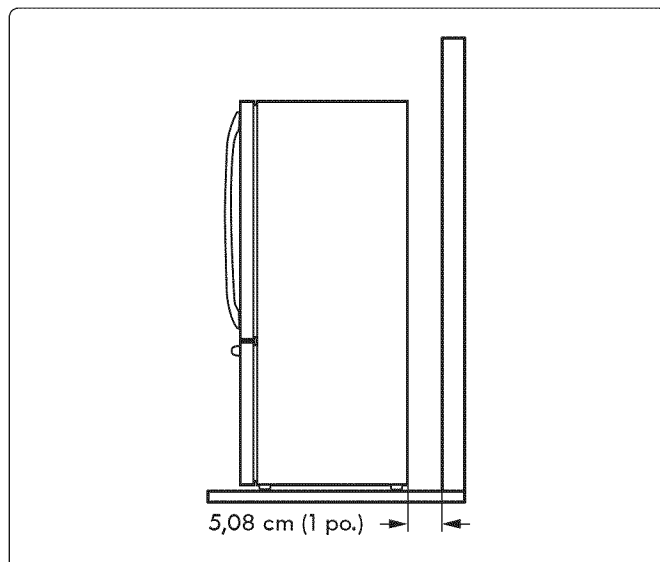
1. Pour éviter bruit et vibration, l'appareil doit être mis à niveau et installé sur un plancher solidement construit. Si nécessaire, ajustez les cales de réglage pour compenser tout défaut de planéité du sol. L'avant doit être légèrement plus haut que l'arrière pour favoriser la fermeture de la porte. Les cales de réglage peuvent être tournées facilement en faisant basculer légèrement l'armoire. Tournez les cales de réglage dans le sens des aiguilles d'une montre pour relever l'unité ou dans le sens inverse des aiguilles d'une montre pour l'abaisser. (Voir **MISE À NIVEAU ET ALIGNEMENT DES PORTES.**)

REMARQUE : L'installation sur de la moquette, des surfaces carrelées molles, sur une plateforme ou sur une structure mal supportée n'est pas recommandée.

2. Installez cet appareil dans une zone où la température est comprise entre 55°F (13°C) et 110°F (43°C). Si la température autour de l'appareil est trop basse ou trop élevée, la capacité de refroidissement peut être compromise.
3. Choisissez un emplacement où un approvisionnement d'eau peut être facilement raccordé pour la machine à glaçons automatique.

REMARQUE : La pression de l'eau doit être comprise entre 20 et 120 psi sur les modèles ne comportant pas de filtre à eau, et entre 40 et 120 psi sur les modèles qui en sont dotés.

4. Une trop faible distance des objets avoisinants peut réduire la capacité de congélation et augmenter la consommation d'électricité. Prévoir un dégagement minimal de 61 cm à l'avant du réfrigérateur pour permettre l'ouverture des portes.



REMARQUE : Le retrait des portes est toujours recommandé lorsqu'il faut faire passer le réfrigérateur par une ouverture étroite. S'il faut retirer les poignées, procédez comme suit.

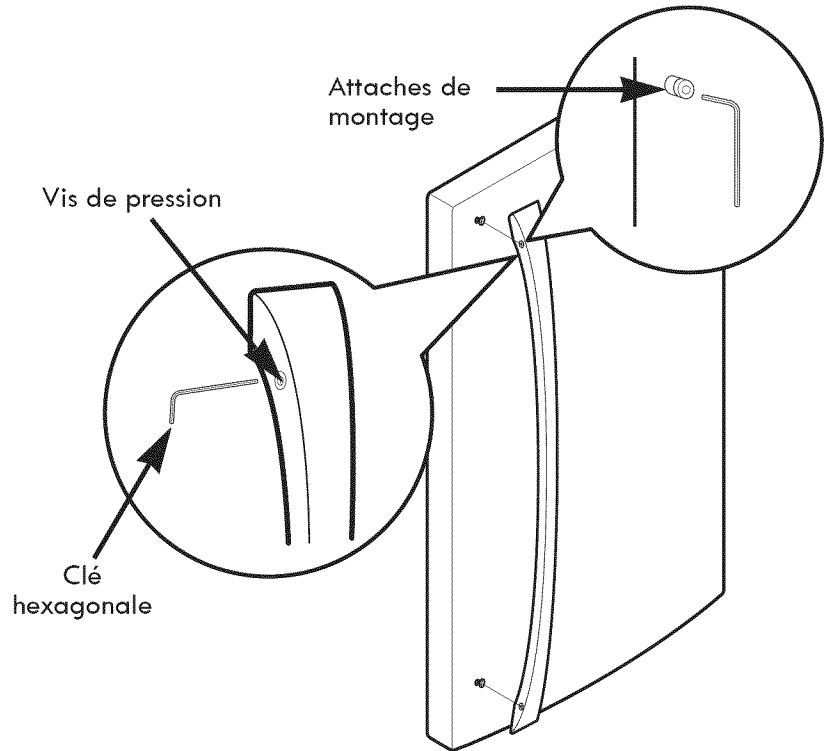
COMMENT RETIRER LA POIGNÉE DE LA PORTE DU RÉFRIGÉRATEUR

REMARQUE : L'aspect de la poignée peut être différent de celui des illustrations sur cette page.

Retrait de la poignée du réfrigérateur

Desserrez les vis pression avec une clé hexagonale de $\frac{3}{32}$ po. (2,5 mm) et retirez la poignée.

REMARQUE : Si les attaches de montage de la poignée doivent être serrées ou retirées, utilisez une clé hexagonale de $\frac{1}{4}$ po. (6,4 mm).



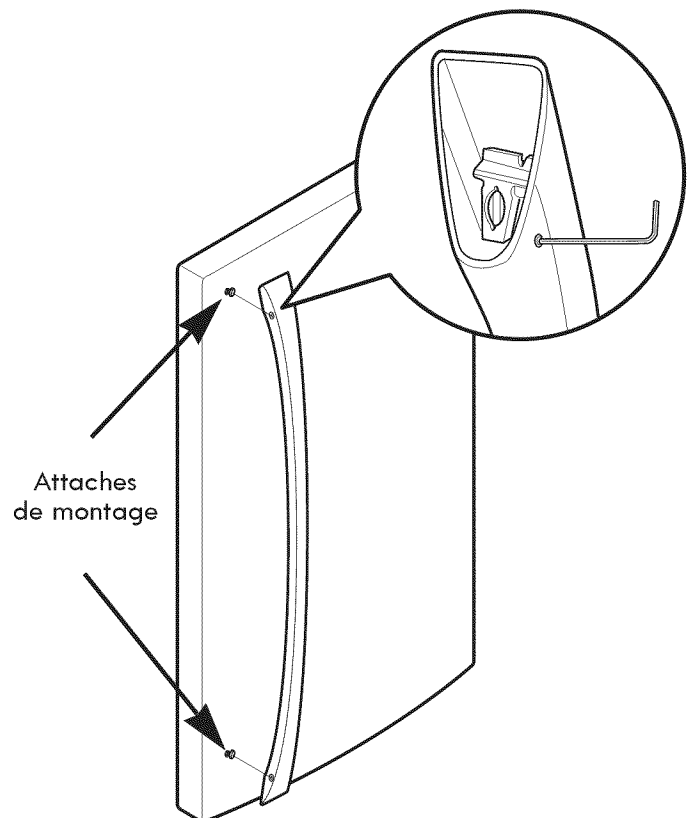
COMMENT REMETTRE EN PLACE LA POIGNÉE DE LA PORTE DU RÉFRIGÉRATEUR

REMARQUE : L'aspect de la poignée peut être différent de celui des illustrations sur cette page.

Remise en place de la poignée de porte du réfrigérateur

Placez la poignée sur la porte en ajustant l'empreinte de la poignée sur les attaches de montage et en serrant les vis de pression avec une clé hexagonale de $\frac{3}{32}$ po. (2,5 mm).

REMARQUE : Si les attaches de montage de la poignée doivent être serrées ou retirées, utilisez une clé hexagonale de $\frac{1}{4}$ po. (6,4 mm).



REMARQUE : Le retrait des portes est toujours recommandé lorsqu'il faut faire passer le réfrigérateur par une ouverture étroite. S'il faut retirer les poignées, procédez comme suit.

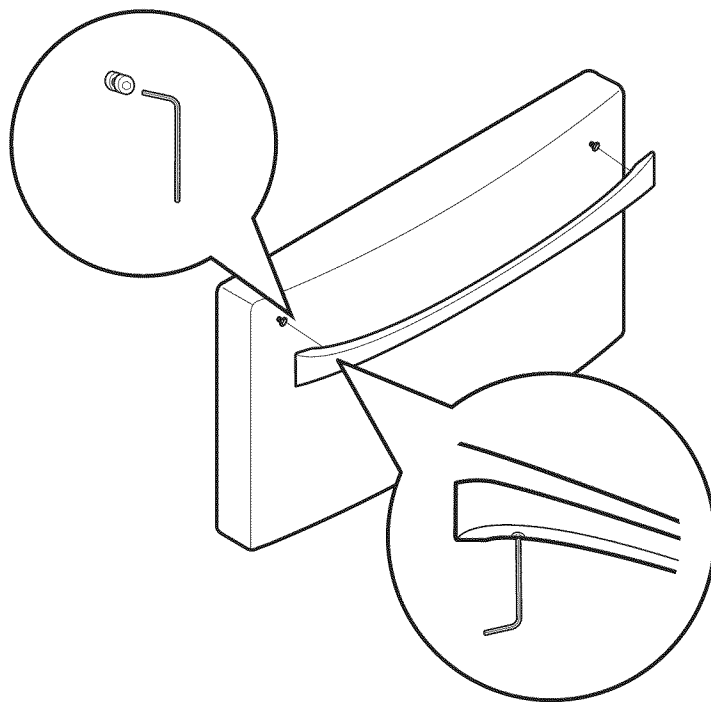
COMMENT RETIRER LA POIGNÉE DE LA PORTE DU CONGÉLATEUR

REMARQUE : L'aspect de la poignée peut être différent de celui des illustrations sur cette page.

Retrait de la porte du tiroir du congélateur

Desserrez les vis pression situées du côté inférieur de la poignée avec une clé hexagonale de $\frac{1}{8}$ po. (3,1 mm) et retirez la poignée.

REMARQUE : Si les attaches de montage de la poignée doivent être serrées ou retirées, utilisez une clé hexagonale de $\frac{1}{4}$ po. (6,4 mm).



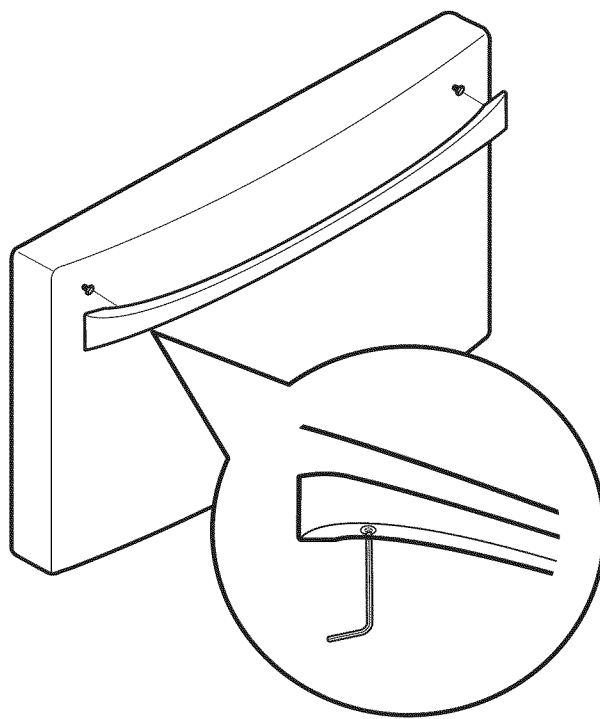
COMMENT REMETTRE EN PLACE LA POIGNÉE DE LA PORTE DU CONGÉLATEUR

REMARQUE : L'aspect de la poignée peut être différent de celui des illustrations sur cette page.

Remise en place de la poignée du tiroir du congélateur

Placez la poignée sur la porte en ajustant l'empreinte de la poignée sur les attaches de montage et en serrant les vis de pression avec une clé hexagonale de $\frac{1}{8}$ po. (3,1 mm).

REMARQUE : Si les attaches de montage de la poignée doivent être serrées ou retirées, utilisez une clé hexagonale de $\frac{1}{4}$ po. (6,4 mm).



RETRAIT ET REMISE EN PLACE DES PORTES DU RÉFRIGÉRATEUR

⚠️ AVERTISSEMENT

Risques liés au poids excessif :

Faites appel à au moins deux personnes pour retirer et installer le réfrigérateur. Sinon, il y a risque de blessures au dos ou d'autres blessures.

⚠️ AVERTISSEMENT

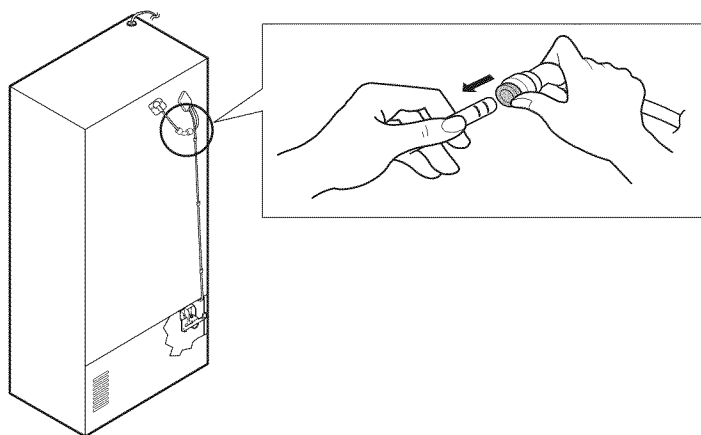
Risque d'électrocution

- Déconnectez l'alimentation électrique du réfrigérateur avant de procéder à l'installation. Sinon, vous risquez de vous blesser ou de subir une issue fatale.
- Ne placez pas les mains, les pieds ou autres objets dans les ouvertures d'aération ou le bas du réfrigérateur. Vous pourriez vous blesser ou être électrocuté.

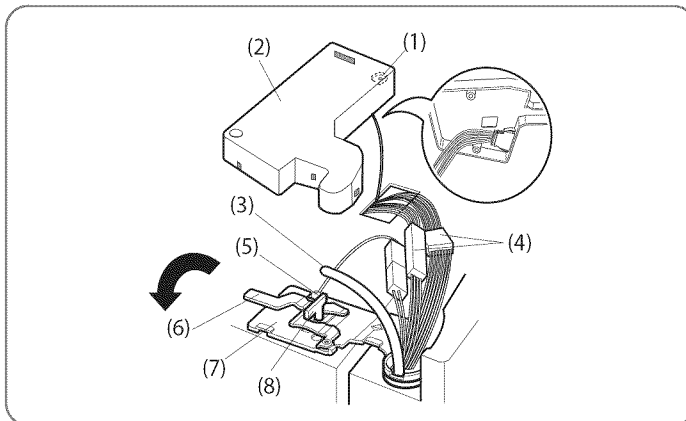
REMARQUE : Soyez prudent lorsque vous travaillez sur la charnière. Vous pourriez vous blesser.

Pour retirer la porte de gauche du réfrigérateur :

À l'arrière du réfrigérateur, tirez le tube d'eau hors du raccord de la pince de serrage en appuyant sur l'anneau de pincement du raccord (voir la figure ci-dessous).



⚠️ ATTENTION : Avant de commencer, retirez des portes les aliments et les bacs.

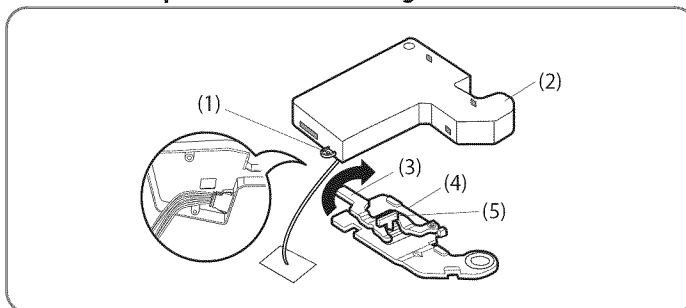


1. Ouvrez la porte. Retirez la vis du couvercle de la charnière supérieure (1).
2. Utilisez un tournevis à lame plate pour soulever vers l'arrière les crochets (non illustrés) à l'avant sous le couvercle (2). Soulevez le couvercle.
3. Retirez le couvercle. Tirez le tube pour l'extraire (3).
4. Débranchez tous les faisceaux de fils (4).
5. Retirez la vis de mise à la terre (5).
6. Faites pivoter le levier de la charnière (6) dans le sens inverse des aiguilles d'une montre. Soulevez la charnière supérieure (7) pour la libérer du levier de fermeture de la charnière (8).

⚠️ ATTENTION : Lors du soulèvement de la charnière du levier de fermeture, veillez à ce que la porte ne tombe pas en avant.

7. Soulevez la porte de la tige d'articulation du milieu et retirez la porte.
8. Placez la porte, face intérieure vers le haut, sur une surface non griffante.

Pour retirer la porte droite du réfrigérateur :



1. Ouvrez la porte. Retirez la vis du couvercle de la charnière supérieure (1). Soulevez le couvercle (2).
2. Retirez le couvercle.
3. Faites pivoter le levier de la charnière (3) dans le sens des aiguilles d'une montre. Soulevez la charnière supérieure (4) pour la libérer du levier de fermeture de la charnière (5).

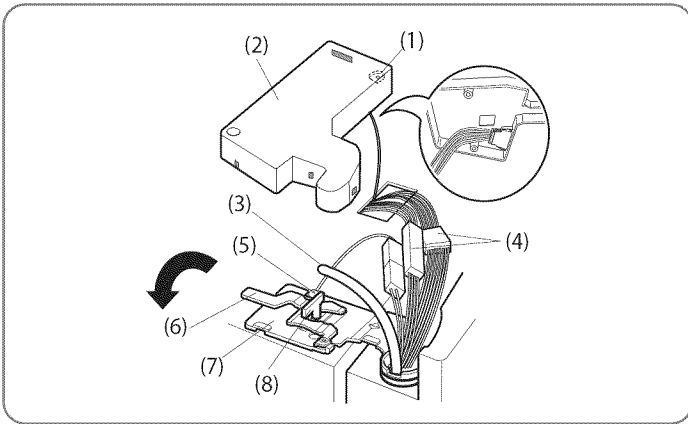
⚠️ ATTENTION : Lors du soulèvement de la charnière du levier de fermeture, veillez à ce que la porte ne tombe pas en avant.

4. Soulevez la porte de la tige d'articulation du milieu et retirez la porte.
5. Placez la porte, face intérieure vers le haut, sur une surface non griffante.

Réinstallation de la porte du réfrigérateur

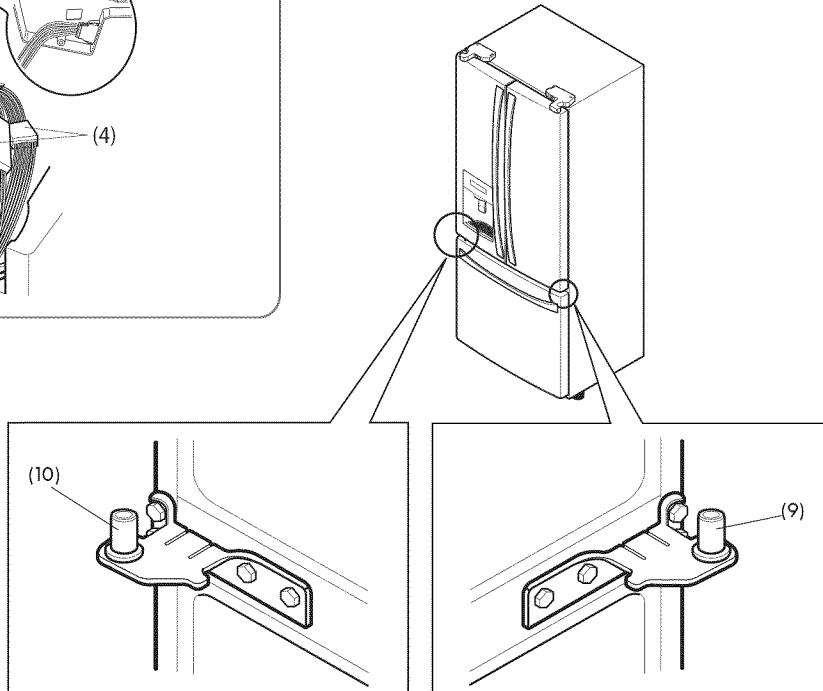
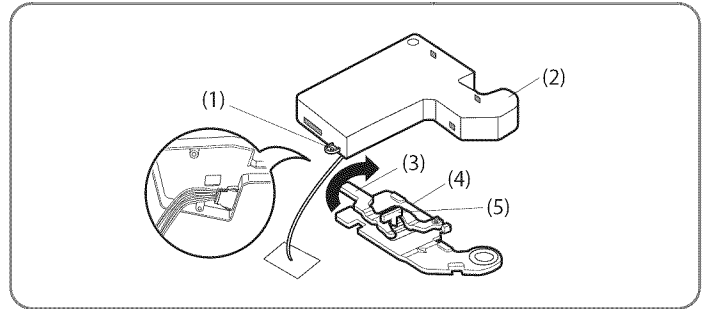
► Porte gauche

1. Posez la porte sur la tige d'articulation du milieu (10).
2. Placez la charnière supérieure (7) sur le levier de fermeture de la charnière (8) et en position. Faites pivoter le levier (6) dans le sens des aiguilles d'une montre pour fixer la charnière.
3. Installez la vis de mise à la terre (5) et connectez les deux faisceaux de fils (4).
4. Poussez le tuyau d'eau (3) situé en haut de la porte gauche dans le trou à côté de la charnière gauche au-dessus de l'armoire jusqu'à ce qu'il sorte par l'arrière.
5. Insérez le tuyau d'approvisionnement d'eau (3) dans le connecteur jusqu'à ce que vous ne voyiez qu'une seule graduation. Insérez complètement le tube sur $\frac{5}{8}$ po. (15 mm).
6. Accrochez les pattes sur le côté gauche du couvercle de la charnière (1) sous le bord de la charnière supérieure (7) et positionnez le couvercle en place. Insérez et serrez la vis du couvercle (1).

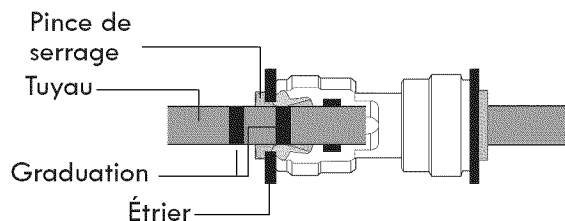


► Porte droite

1. Posez la porte sur la tige d'articulation du milieu (9).
2. Placez la charnière supérieure (4) sur le levier de fermeture de la charnière (5) et en position. Faites pivoter le levier (3) dans le sens inverse des aiguilles d'une montre pour fixer la charnière.
3. Accrochez les pattes sur le côté droit du couvercle de la charnière (2) sous le bord de la charnière supérieure (4) et positionnez le couvercle en place. Insérez et serrez la vis du couvercle (1).



⚠ ATTENTION



Après insertion, tirez le tuyau pour vérifier qu'il est bien fixé et réinsérez l'étrier.

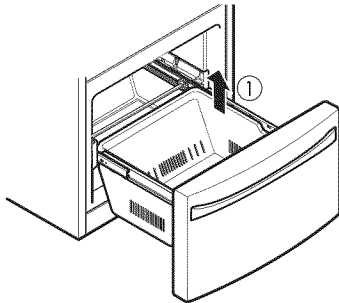
COMMENT RETIRER LE TIROIR DU CONGÉLATEUR

⚠ AVERTISSEMENT : Faites appel à au moins deux personnes pour retirer et installer le tiroir du congélateur. Sinon, il y a risque de blessures au dos ou d'autres blessures.

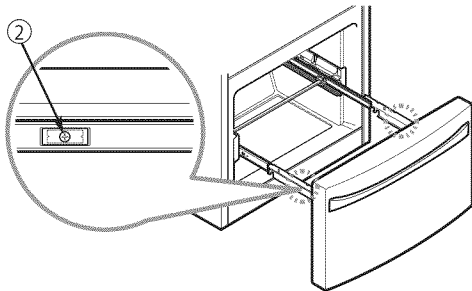
⚠ ATTENTION : Ne tenez pas la poignée lors du retrait ou de la remise en place du tiroir. La poignée pourrait tomber et provoquer une blessure.

REMARQUE : Dans les figures suivantes, le tiroir coulissant situé au-dessus du tiroir du congélateur n'apparaît pas par souci de clarté.

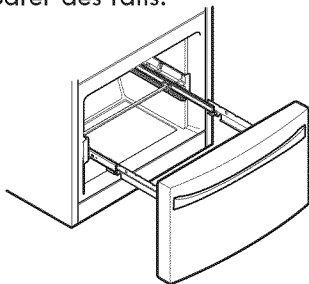
Tirez le tiroir en position d'ouverture maximale. Retirez le panier inférieur ① en soulevant le panier du système de rails.



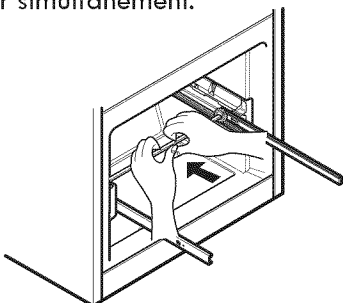
Retirez les vis ② du rail des deux côtés.



Saisissez le tiroir de chaque côté et tirez-le vers le haut pour le séparer des rails.

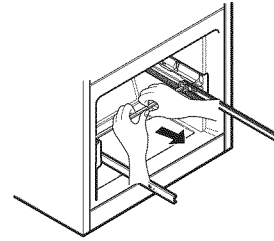


Des deux mains, tenez la barre centrale et poussez-la vers l'intérieur pour permettre aux deux rails de glisser vers l'intérieur simultanément.

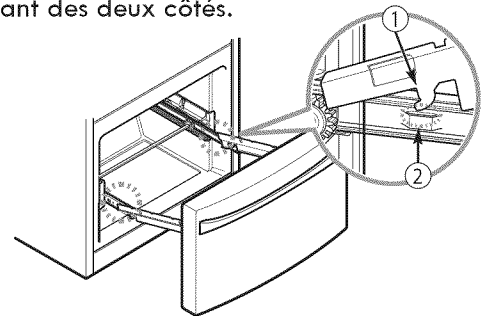


COMMENT INSTALLER LE TIROIR DU CONGÉLATEUR

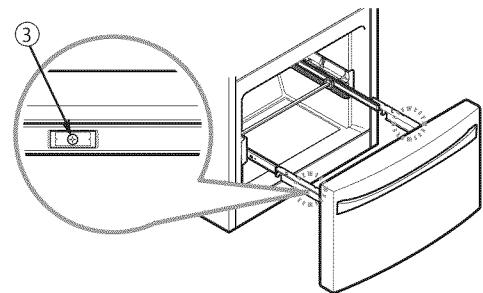
Des deux mains, saisissez la barre centrale et tirez-la vers l'extérieur jusqu'à ce que les deux rails soient entièrement sortis.



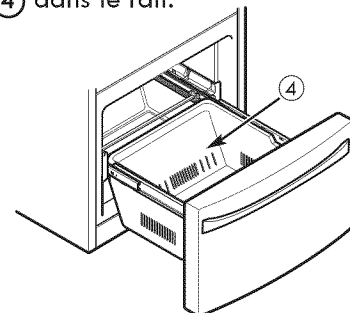
Saisissez le tiroir de chaque côté et accrochez les supports de la porte ① dans les pattes du rail ② se trouvant des deux côtés.



Abaissez la porte à sa position finale et serrez les vis ③ situées des deux côtés.



Le tiroir étant entièrement sorti, insérez le panier inférieur ④ dans le rail.



⚠ AVERTISSEMENT : Si le diviseur du Durabase est retiré, il y a suffisamment d'espace ouvert pour permettre à des enfants ou des animaux de se glisser à l'intérieur. Pour éviter les risques qu'un enfant ou un animal reste coincé ou suffoque accidentellement, NE LES LAISSEZ PAS toucher le tiroir du congélateur ou s'en approcher.

⚠ AVERTISSEMENT : NE montez PAS et n vous asseyez pas sur le tiroir du congélateur.

MISE À NIVEAU ET ALIGNEMENT DES PORTES

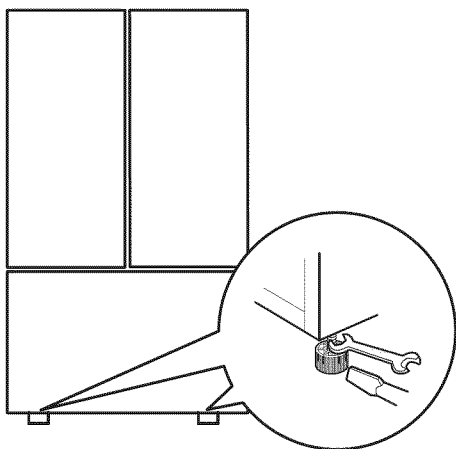
Mise à niveau

Après l'installation, branchez le cordon d'alimentation du réfrigérateur sur une prise à 3 connecteurs mise à la terre et poussez le réfrigérateur en position finale.

Le réfrigérateur comporte deux cales de réglage à l'avant, une du côté droit, l'autre du côté gauche. Ajustez les cales de réglage pour modifier l'inclinaison avant-arrière ou côté à côté. Si le réfrigérateur semble instable, ou si vous souhaitez que les portes se ferment plus facilement, réglez l'inclinaison du réfrigérateur en utilisant les instructions ci-dessous :

REMARQUE : Outils requis : Clé de $1\frac{1}{16}$ po. (18 mm) ou tournevis à lame plate.

1. Tournez la cale de réglage dans le sens inverse des aiguilles d'une montre pour soulever ce côté du réfrigérateur ou dans le sens des aiguilles d'une montre pour l'abaisser. Il faudra éventuellement plusieurs tours de cales de réglage pour régler l'inclinaison du réfrigérateur.



REMARQUE : Demandez à une personne de pousser vers l'arrière le haut du réfrigérateur pour retirer une partie du poids sur les cales de réglage. Cela simplifie le réglage des cales.

2. Ouvrez de nouveau les portes pour vérifier qu'elles se ferment facilement. Si les portes ne se ferment pas facilement, inclinez le réfrigérateur un peu plus vers l'arrière en tournant les deux cales de réglage dans le sens inverse des aiguilles d'une montre. Il faudra éventuellement plusieurs tours, et vous devrez effectuer le même nombre de tours pour les deux cales de réglage.

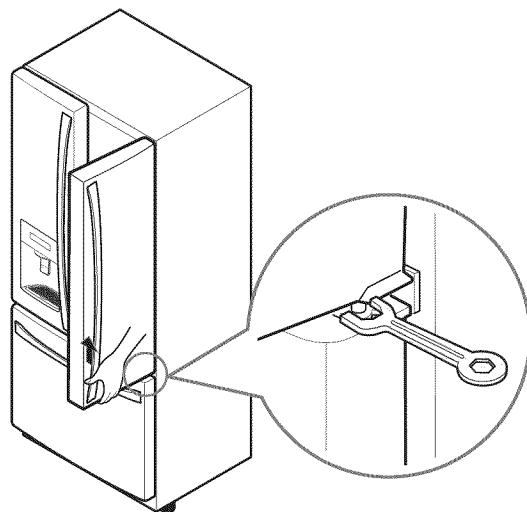
REMARQUE : Votre réfrigérateur est doté de deux portes. Chacune peut être ouverte ou fermée indépendamment. Vous devrez éventuellement exercer une légère pression sur les portes pour les fermer complètement.

Alignement des portes

Les portes gauche et droite du réfrigérateur possèdent un écrou ajustable, situé sur la charnière inférieure, pour les soulever et les abaisser afin de les aligner.

Si l'espace entre vos portes n'est pas uniforme, suivez les instructions ci-dessous pour les aligner :

Utilisez la clé (incluse avec le Guide d'utilisation et d'entretien) pour tourner l'écrou dans la charnière de la porte afin d'en ajuster la hauteur. Tournez dans le sens des aiguilles d'une montre pour augmenter la hauteur ou dans le sens inverse des aiguilles d'une montre pour la diminuer.



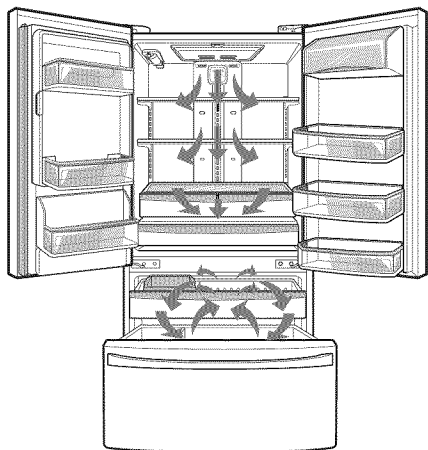
UTILISATION DU RÉFRIGÉRATEUR

RÉGLAGE DES CONTRÔLES

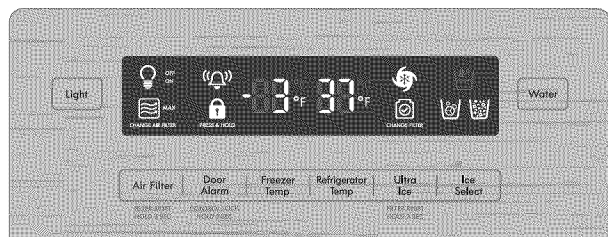
Le Contrôle du réfrigérateur agit comme un thermostat pour tout l'appareil (sections réfrigérateur et congélateur). Plus le réglage est froid, plus le compresseur travaillera pour maintenir la température choisie. Le contrôle du congélateur règle le flux d'air froid du congélateur au réfrigérateur. Le réglage du contrôle du congélateur à une température plus basse conserve plus d'air froid dans le compartiment congélateur pour le maintenir plus froid.

CIRCULATION D'AIR

L'air froid circule du congélateur à la section produits frais, puis revient par les ouvertures d'aération dans la paroi divisant les deux sections. Veillez à ne pas obstruer les ouvertures d'aération lors du remplissage du réfrigérateur. Vous pourriez ainsi restreindre la circulation de l'air et faire monter la température du réfrigérateur ou provoquer l'accumulation d'humidité à l'intérieur. (Voir le schéma de circulation d'air ci-dessous.)



Température

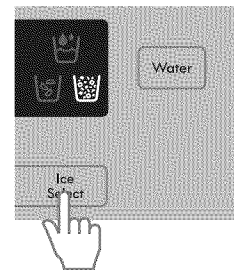
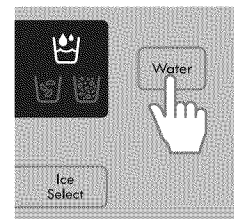


- **Le contrôle Refrigerator Temp. va de 33°F à 46°F (0°C à 8°C).** Appuyez sur le bouton Refrigerator Temp. pour parcourir les réglages de température disponibles un incrément à la fois.
- **Le contrôle Freezer Temp. va de -6°F à 8°F (-21°C à -13°C).** Appuyez sur le bouton Freezer Temp. pour parcourir les réglages de température disponibles un incrément à la fois.

REMARQUE : Lors du changement des réglages de contrôle, attendez 24 heures avant d'effectuer des ajustements supplémentaires. Les contrôles sont correctement réglés lorsque la température du lait ou du jus vous convient et que la crème glacée est ferme. Si la température est trop basse ou trop élevée, changez le réglage un incrément à la fois. Attendez 24 heures que le changement se stabilise avant de procéder à un nouveau réglage.

Distributeur

- Lorsque vous appuyez sur le bouton **Water**, l'icône **Water** s'allume.
- Lorsque vous appuyez sur le bouton **Ice Select**, l'icône cube ou glace concassée s'allume.
- Un égouttement peut se produire après la distribution. Maintenez votre tasse sous le distributeur pendant quelques secondes après la distribution pour récupérer toutes les gouttes.



ATTENTION : L'affichage de contrôle est doté d'une commande tactile. Une humidité excessive sur l'affichage peut causer un dysfonctionnement. Maintenez l'affichage propre et sec.

AVERTISSEMENT : Le distributeur ne fonctionnera pas si une porte est laissée ouverte ou si le verrou de contrôle est activé.

Ultra Ice

- Lorsque vous touchez le bouton **Ultra Ice**, le graphisme s'allume dans l'affichage et reste allumé pendant 24 heures. La fonction s'arrêtera automatiquement après 24 heures.
- Vous pouvez désactiver cette fonction manuellement en touchant le bouton une autre fois.
- Cette fonction augmente les possibilités de fabrication de glace et de congélation.

Réinitialisation du filtre à eau

Lorsque le témoin de filtre à eau est allumé, vous devez changer le filtre à eau. Après le changement de filtre à eau, maintenez enfoncé le bouton **Ultra Ice** (Réinitialisation du filtre à eau) pendant trois secondes pour éteindre le témoin. Vous devez changer le filtre à eau environ tous les six mois.

Lumière d'ambiance bleue

Cette lumière a deux réglages : On et Off. Si la lumière est réglée en mode On, la lumière d'ambiance bleue s'allume.

Filtre d'air

CHANGE AIR FILTER

Le filtre à air aide à retirer les odeurs du réfrigérateur. Le filtre à air a deux réglages, automatique et MAX. En mode Automatique, le filtre à air cyclera à marche et arrêt en incréments de dix minutes de marche et cent dix minutes d'arrêt. Si réglé en mode MAX, le filtre à air restera en marche continuellement pendant quatre heures, passant de marche à arrêt en incréments de dix minutes de marche et cinq minutes d'arrêt. Après quatre heures, le filtre à air passe au mode Automatique.

- Le mode Automatique est le mode par défaut.
- Appuyez sur le bouton de filtre à air une fois pour le mode MAX.

Réinitialisation du Filtre d'air

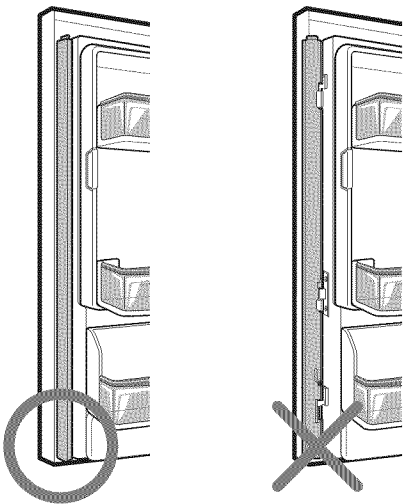
CHANGE AIR FILTER

Quand le symbole CHANGE s'allume, le filtre d'air doit être changé. Après avoir changé le filtre d'air, appuyer sur le bouton du Filtre d'air pendant trois secondes pour éteindre la lumière du symbole. Il est conseillé de changer le filtre d'air tous les six mois.

Meneau articulé

Cette fonction est une bande métallique attachée à la porte gauche qui s'articule (pivote) sur 90 degrés lorsque la porte est fermée, formant un meneau (base) sur lequel viennent s'appuyer les joints d'étanchéité des portes gauche et droite.

- ⚠ ATTENTION :** Pour réduire les risques d'égratignures de la porte ou de rupture du meneau de la porte, veuillez vous assurer que le meneau de la porte du réfrigérateur est toujours replié vers l'intérieur.



Door Alarm

- Lorsqu'une alimentation électrique est connectée au réfrigérateur, l'alarme de la porte est initialement activée. Lorsque vous appuyez sur le bouton Door Alarm, l'affichage change à OFF et la fonction Door Alarm se désactive.
- Lorsque la porte du réfrigérateur ou du congélateur est laissée ouverte pendant plus de 60 secondes, l'alarme retentit pour vous indiquer que la porte est ouverte.
- Lorsque vous fermez la porte, l'alarme s'arrête.

Control Lock

PRESS & HOLD

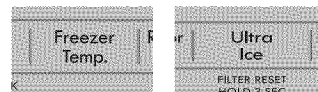
- Lors de la connexion initiale de l'alimentation électrique au réfrigérateur, la fonction Verrou est désactivée.
- Si vous souhaitez activer la fonction Verrou pour verrouiller d'autres boutons, maintenez enfoncé le bouton Door Alarm pendant plus de trois secondes. L'icône Control Lock s'affiche et la fonction Verrou est maintenant activée.
- Lorsque la fonction Verrou est activée, aucun autre bouton ne fonctionne. Le bloc du distributeur est également désactivé.
- Pour désactiver la fonction Verrou, maintenez enfoncé le bouton DoorAlarm pendant environ trois secondes.

Fonction de changement de mode de température (°F <-> °C)

Si vous souhaitez passer de °F à °C ou vice versa, maintenez enfoncés les boutons Freezer Temp. et Refrigerator Temp. simultanément pendant environ cinq secondes.

Mode Affichage désactivé

- Lorsque le réfrigérateur est en mode Affichage désactivé, l'affichage reste désactivé jusqu'à l'ouverture d'une porte ou la pression d'un bouton. Une fois activé, l'affichage est maintenu pendant 20 secondes.
- Pour désactiver le mode Affichage désactivé, appuyez sur les boutons Freezer Temp. et Ultra Ice simultanément et maintenez-les enfoncés pendant cinq secondes jusqu'à ce que la tonalité retentisse.



- ⚠ ATTENTION :** Mode Démonstration (uniquement pour un usage en magasin)

Le mode Démonstration désactive tout refroidissement dans les sections réfrigérateur et congélateur pour préserver l'énergie alors que l'affichage est activé chez un détaillant. Lorsque cette fonction est activée, OFF s'affiche sur le panneau de commande.



Pour désactiver cette fonction :

L'une des portes du réfrigérateur étant ouverte, maintenez enfoncés les boutons Refrigerator Temp. et Ultra Ice en même temps pendant cinq secondes. Le panneau de commande émet un bip et les réglages de température s'affichent pour confirmer la désactivation du mode Démonstration. Utilisez la même procédure pour activer le mode Démonstration.

BAC À GLAÇONS DANS LA PORTE

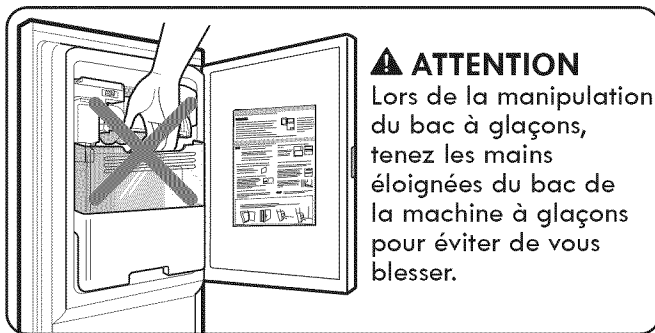
⚠ ATTENTION : Maintenez les mains et les outils loin de la porte du compartiment à glaçons et du déversoir du distributeur. Sinon, vous risquez d'endommager l'appareil ou de vous blesser.

La machine à glaçons s'arrête de produire de la glace lorsque le bac à glaçons dans la porte est plein. Si vous avez besoin de plus de glaçons, videz le bac à glaçons dans le bac à glaçons supplémentaire dans le compartiment congélateur. En cours d'utilisation, le niveau des glaçons peut devenir irrégulier et la machine à glaçons pourrait alors mal estimer la quantité de cubes de glace et cesser la production de glaçons. Pour corriger ce problème, il suffit parfois de secouer le bac à glaçons.

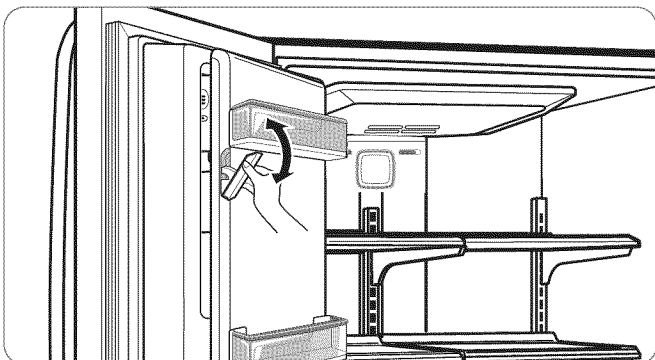
REMARQUE : Le stockage de boîtes ou autres éléments dans le bac à glaçons endommagera la machine à glaçons.

Maintenez la porte du compartiment à glaçons hermétiquement fermée. Si la porte du compartiment à glaçons n'est pas hermétiquement fermée, l'air froid du compartiment à glaçons fera geler la nourriture dans le compartiment réfrigérateur. Cela pourrait également entraîner l'arrêt de la production de glaçons.

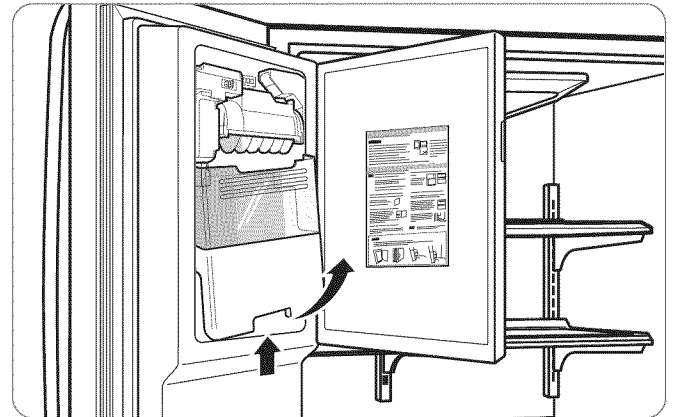
REMARQUE : Si l'interrupteur ON/OFF sur la machine à glaçons est réglé sur OFF pendant une période prolongée, le compartiment à glaçons se réchauffe progressivement à la température du compartiment réfrigérateur. Pour empêcher les cubes de glace de fondre et de couler par le distributeur, videz TOUJOURS le bac à glaçons lors du réglage sur OFF pendant plusieurs heures.



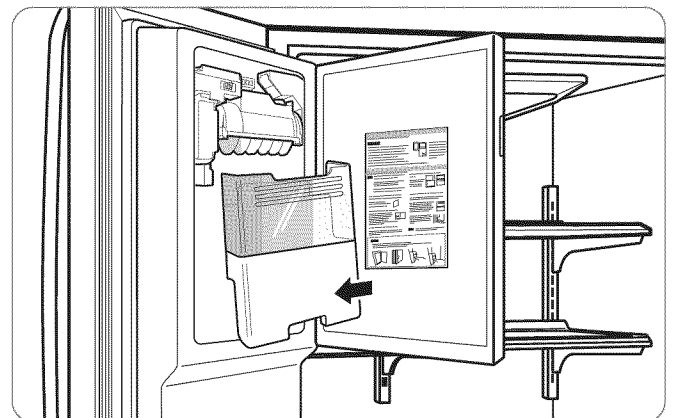
1. Tirez ou poussez la poignée de la porte pour ouvrir ou fermer le compartiment à glaçons.



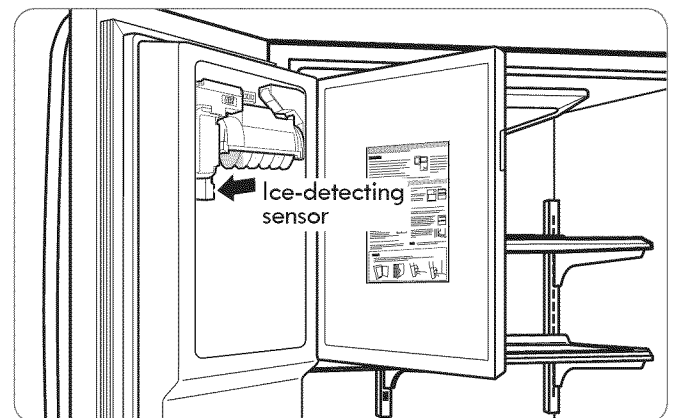
2. Pour retirer le bac à glaçons de la porte, saisissez la poignée avant, soulevez légèrement la partie inférieure, et tirez lentement le bac pour l'extraire comme illustré.



3. Pour réinstaller le bac à glaçons dans la porte, inclinez légèrement le bac pendant la remise en place pour éviter tout contact avec la machine à glaçons.



4. Évitez de toucher le capteur de détection de glace lors de la remise en place du bac à glaçons. Pour plus de détails, reportez-vous à l'étiquette sur la porte du compartiment à glaçons.



MACHINE À GLAÇONS AUTOMATIQUE

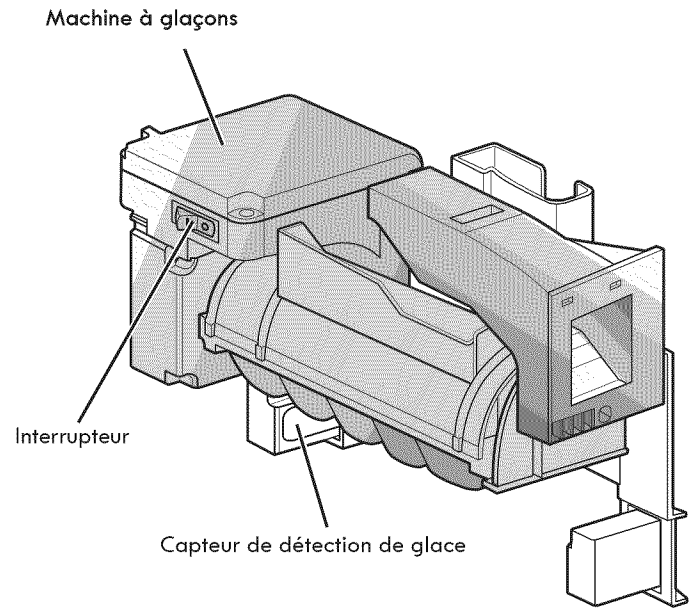
La glace est fabriquée dans la machine à glaçons automatique et envoyée dans le distributeur. La machine à glaçons produit 10 cubes par cycle, c'est-à-dire environ 100 cubes dans une période de 24 heures, selon la température du compartiment du congélateur, la température de la pièce, le nombre d'ouverture de porte et les conditions de fonctionnement.

- Il faut compter entre 12 et 24 heures avant qu'un réfrigérateur venant d'être installé commence à fabriquer de la glace. Attendez 72 heures pour une production maximale de glace.
- La fabrication de glace s'arrête dès que le bac de stockage de glace est plein. Lorsqu'il est plein, le bac à glace contient environ 6 à 8 (12-16 onces) verres de glace.
- Pour désactiver la machine à glaçons automatique, réglez le commutateur de la machine à glaçons sur **OFF (O)**. Pour activer la machine à glaçons automatique, réglez le commutateur de la machine à glaçons sur **ON (I)**.
- La pression de l'eau doit être comprise entre 20 et 120 psi sur les modèles ne comportant pas de filtre à eau, et entre 40 et 120 psi sur des modèles qui en sont dotés pour produire la quantité et la taille normale de glaçons.
- Des corps étrangers ou du givre sur le capteur de détection de glace peuvent interrompre la production de glace. Vérifiez à tout moment la propreté de la zone du capteur pour garantir un bon fonctionnement.

! AVERTISSEMENT

Risque de blessure

N'approchez **PAS** les doigts ou les mains du mécanisme de la machine à glaçons automatique pendant que le réfrigérateur est branché.



MACHINE À GLAÇONS AUTOMATIQUE (suite)

⚠ ATTENTION

- Les tout premiers glaçons et la première eau distribuée peuvent comporter des particules ou présenter une odeur provenant du circuit d'approvisionnement d'eau ou du réservoir d'eau.
- Jetez les premiers lots de glaçons (environ 24 cubes). Cela est également nécessaire lorsque le réfrigérateur n'a pas été utilisé pendant une période prolongée.
- Ne stockez jamais des boîtes de boissons ou autres articles dans le bac à glace pour obtenir un refroidissement rapide. Vous pourriez endommager la machine à glaçons automatique ou les contenants peuvent éclater.
- Si de la glace décolorée est distribuée, vérifiez le filtre d'eau et l'approvisionnement d'eau. Si le problème persiste, contactez un centre d'entretien Sears ou un autre centre d'entretien qualifié. Évitez d'utiliser la glace ou l'eau tant que le problème n'est pas réglé.
- Ne laissez pas les enfants s'approcher du distributeur. Les enfants pourraient jouer avec les contrôles ou les endommager.
- Le passage de la glace peut devenir obstrué par du givre si uniquement de la glace concassée est employée. Retirez le givre qui s'accumule en retirant le bac à glaçons et en dégageant le passage avec une spatule en caoutchouc. La distribution de glace en cubes peut également contribuer à empêcher la formation de givre.
- N'utilisez jamais de verre ou de vaisselle en cristal pour recueillir la glace. De tels contenants peuvent s'ébrécher ou se casser en fragments de verre dans la glace.
- Distribuez la glace dans un verre avant de l'ajouter à de l'eau ou à d'autres boissons. Des éclaboussures peuvent se produire si la glace est distribuée dans un verre contenant déjà du liquide.
- N'utilisez jamais un verre qui est exceptionnellement étroit ou profond. De la glace pourrait se coincer dans le passage de glaçons et les performances du réfrigérateur pourraient être compromises.
- Maintenez le verre à une distance appropriée de la sortie de distribution de la glace. La présentation d'un verre trop près de la sortie peut empêcher la distribution de la glace.
- Pour éviter tout risque de blessure, n'approchez pas les mains de la porte et du passage de la glace.
- Ne retirez jamais le couvercle du distributeur.
- Si de la glace ou de l'eau est distribuée inopinément, coupez l'alimentation en eau et contactez Sears Home Service au 1-800-4-MY HOME®.

QUAND CONVIENT-IL DE RÉGLER L'INTERRUPTEUR DE LA MACHINE À GLAÇONS AUTOMATIQUE SUR OFF (O)

- Lorsque l'approvisionnement en eau sera coupé pendant plusieurs heures.
- Lorsque le bac à glace est retiré pendant plus qu'une ou deux minutes.
- Lorsque le réfrigérateur ne sera pas utilisé pendant plusieurs jours.

REMARQUE : Le bac à glace peut être vidé lorsque le commutateur ON/OFF de la machine à glaçons automatique est réglé en position **OFF**.

BRUITS NORMAUX QUE VOUS POUVEZ ENTENDRE

- Le robinet automatique de débit d'eau bourdonne lorsque la machine se remplit d'eau. Si l'interrupteur est en position **ON (I)**, il bourdonne même s'il n'est pas encore raccordé à l'eau. Pour arrêter le bourdonnement, positionnez l'interrupteur sur **OFF (O)**.
REMARQUE : Le maintien de l'interrupteur en position **ON (I)** avant le raccordement de la conduite d'eau pourrait endommager la machine à glaçons.
- Vous entendrez le bruit des cubes tombant dans le bac et l'eau coulant dans les tuyaux lors du remplissage de la machine à glaçons.

PRÉPARATION POUR LES VACANCES

Mettez l'interrupteur de la machine à glaçons sur **OFF (O)** et coupez l'approvisionnement d'eau du réfrigérateur.

REMARQUE : Le bac à glace peut être vidé à tout moment lorsque le commutateur ON/OFF de la machine à glaçons automatique est réglé en position **OFF**.

Si la température ambiante tombe au-dessous du niveau du gel, demandez à un technicien qualifié de drainer le système d'approvisionnement d'eau afin d'éviter de graves dégâts des eaux provoqués par la rupture d'une conduite ou d'un raccordement d'eau.

GUIDE DE STOCKAGE DES ALIMENTS

Enveloppez ou stockez la nourriture dans le réfrigérateur dans une matière hermétique à l'épreuve de l'humidité sauf indication contraire. Cela empêche le transfert des odeurs et du goût dans le réfrigérateur. Pour les produits datés, vérifiez le code de date pour vous assurer de la fraîcheur des aliments.

Produits	Procédure
Beurre ou margarine	► Gardez le beurre ouvert dans une assiette couverte ou un compartiment fermé. Lors du stockage d'une réserve supplémentaire, enveloppez dans un emballage à congélation et congelez le produit.
Fromage	► Stockez dans un emballage d'origine jusqu'à utilisation. Une fois ouvert, remballer hermétiquement dans un film de plastique ou du papier d'aluminium.
Lait	► Essuyez les cartons de lait. Pour un meilleur stockage, placez le lait sur une étagère intérieure, et non sur une étagère de porte.
Œufs	► Stockez dans le carton d'origine sur une étagère intérieure, et non sur une étagère de porte.
Fruit	► Lavez, laissez sécher et stockez dans le réfrigérateur dans des sacs en plastique ou dans le bac à légumes. Ne lavez pas ou ne pelez pas un fruit avant d'être prêt à l'utiliser. Gardez le fruit dans son contenant d'origine, dans un bac à légumes, ou stockez-le dans un sac en papier fermé ou sur une étagère du réfrigérateur.
Légume-feuille	► Retirez l'emballage du magasin et enlevez les zones meurtries ou décolorées. Lavez à l'eau froide et égouttez. Placez dans un sac ou un conteneur en plastique, et rangez dans le bac à légumes.
Légumes à peau (carottes, poivrons)	► Placez dans des sacs ou un conteneur en plastique, et rangez dans le bac à légumes.
Poisson	► Utilisez le poisson frais et les mollusques et crustacés le jour d'achat.
Restes	► Couvrez les restes avec du film plastique, du papier d'aluminium ou des contenants en plastique avec couvercle hermétique.

STOCKAGE DES ALIMENTS CONGELÉS

REMARQUE : Consultez un guide sur la congélation ou un livre de cuisine fiable pour obtenir d'autres informations sur la préparation des aliments en vue d'une congélation ou sur les durées de conservation des aliments.

Congélation

Le congélateur ne peut pas congeler rapidement une grande quantité de nourriture. Ne placez pas d'aliments non congelés dans le congélateur qui ne pourra pas congeler en moins de 24 heures (pas plus de 2 à 3 livres de nourriture par pied cube d'espace de congélation). Laissez suffisamment d'espace dans le congélateur pour permettre la circulation de l'air entre les paquets. Veillez à laisser suffisamment d'espace à l'avant pour garantir la fermeture hermétique de la porte.

Les durées de stockage varient en fonction de la qualité et du type de nourriture, du type d'emballage ou d'enveloppement utilisé (hermétique à l'air et à l'humidité) et de la température de stockage. Les cristaux de glace à l'intérieur d'un paquet fermé sont normaux. Cela signifie simplement que l'humidité dans la nourriture et l'air à l'intérieur du paquet se sont condensés, formant des cristaux de glace.

REMARQUE : Laissez les aliments chauds refroidir à la température de la pièce pendant 30 minutes, puis emballez et congelez. Le refroidissement des aliments chauds avant la congélation permet d'économiser l'énergie.

Emballage

La qualité de la congélation dépend du choix d'un emballage approprié. Lorsque vous fermez et scellez le paquet, il doit être parfaitement hermétique à l'air ou à l'humidité. Dans le cas contraire, l'odeur et le goût des aliments pourraient être transférés dans le réfrigérateur, ou les aliments congelés pourraient sécher.

Recommandations d'emballage :

- Contenants en plastique rigide avec couvercle à fermeture hermétique
- Bocaux à bords droits/bocaux de congélation
- Papier d'aluminium renforcé
- Papier plastifié
- Films plastiques imperméables
- Sac de congélation à fermeture incorporée

Suivez les instructions de l'emballage ou du contenant pour utiliser les méthodes de congélation appropriées.

N'utilisez pas

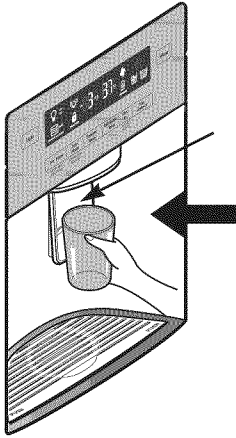
- Papier d'emballage de pain
- Contenants en plastique non-polyéthylène
- Contenants sans couvercle hermétique
- Papier ciré ou papier de congélation ciré
- Film fin semi-perméable

⚠ ATTENTION : Ne placez pas les boîtes de boissons ou les contenants de nourriture en plastique dans le compartiment congélateur. Ils pourraient se rompre ou éclater en congelant.

SECTION RÉFRIGÉRATEUR

DISTRIBUTEUR D'EAU

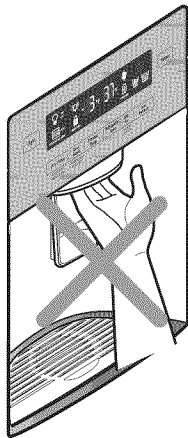
Pour obtenir de l'eau froide, poussez l'interrupteur de distribution avec un verre.



Un égouttement peut se produire après la distribution. Maintenez votre tasse sous le distributeur pendant quelques secondes après la distribution pour récupérer toutes les gouttes.

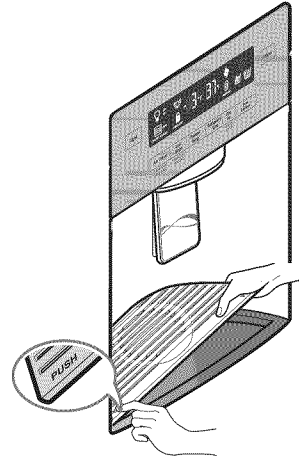
⚠ AVERTISSEMENT : Ne mettez pas les doigts dans le déversoir de glaçons. Vous pourriez gravement vous blesser.

⚠ ATTENTION : Ne déversez pas la glace dans des tasses en porcelaine ou des verres en cristal. La porcelaine ou le cristal pourrait se casser.



Appuyez sur l'un des coins avant pour retirer le plateau.

Remarque : Il n'y a pas de drain sous le plateau. Vous devez vider le plateau de tout liquide récupéré.



REMARQUE : Le distributeur est doté d'une lumière qui s'allume lorsque la plaque du distributeur est enfoncée.

ÉTAGÈRES DU RÉFRIGÉRATEUR

Les étagères du réfrigérateur sont ajustables en fonction de vos besoins. Votre modèle peut comporter des étagères en verre ou en treillis métallique.

L'ajustement des étagères en fonction de différentes hauteurs d'articles permet de trouver l'article recherché plus facilement. Cela permet également de réduire les temps d'ouverture des portes du réfrigérateur et d'ainsi économiser de l'énergie.

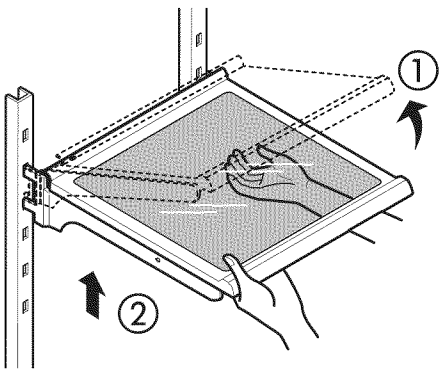
IMPORTANT : Évitez de nettoyer les étagères en verre avec de l'eau chaude alors qu'elles sont froides. Les étagères pourraient se casser si elles sont soumises à de brusques changements de température ou à un impact.

REMARQUE : Les étagères en verre sont lourdes. Soyez prudent lors de leur retrait.

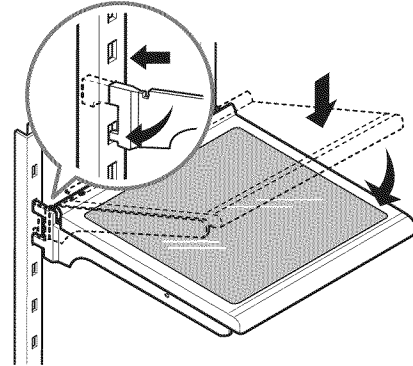
Réglage des étagères (en porte-à-faux)

Retirez les étagères de la position d'expédition et placez-les à la position souhaitée.

Pour retirer une étagère—Inclinez l'avant de l'étagère dans la direction de ① et soulevez-la dans la direction de ②. Tirez sur l'étagère pour la retirer.



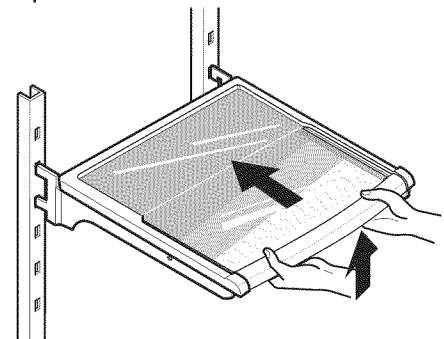
Pour réinstaller une étagère—Inclinez l'avant de l'étagère vers le haut et introduisez les crochets de l'étagère dans les fentes à la hauteur souhaitée. Ensuite, abaissez l'avant de l'étagère afin que les crochets se positionnent dans les fentes.



⚠ ATTENTION : Veillez à placer les étagères au même niveau des deux côtés. Sinon, l'étagère pourrait tomber ou renverser des aliments.

Étagère coulissante

Vous pouvez ranger des articles plus hauts, par exemple des contenants ou des bouteilles d'un gallon, en poussant simplement la moitié avant de l'étagère sous sa moitié arrière. Tirez vers vous l'avant de l'étagère pour revenir à une étagère complète.

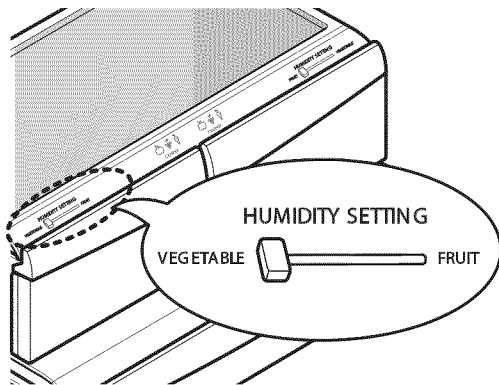


BAC À LÉGUMES À HUMIDITÉ CONTRÔLÉE

Les bacs à légumes préservent le goût des fruits et des légumes en vous laissant contrôler facilement l'humidité à l'intérieur du tiroir.

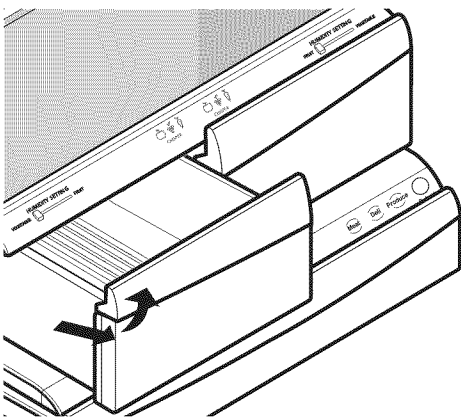
Vous pouvez contrôler la quantité d'humidité dans les bacs à légumes étanches en ajustant le contrôle à un réglage compris entre **VEGETABLE** et **FRUIT**.

- **VEGETABLE** maintient l'air humide dans le bac à légumes pour une meilleure conservation des légumes-feuille frais.
- **FRUIT** laisse sortir l'air humide du bac à légumes pour une meilleure conservation des fruits.



RETRAIT DU BAC À LÉGUMES À HUMIDITÉ CONTRÔLÉE

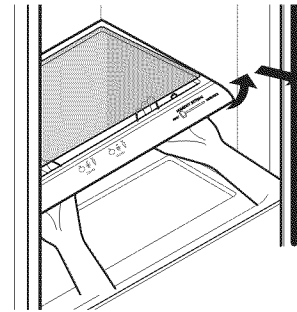
1. Pour le retirer, tirez le tiroir pour le sortir complètement.
2. Soulevez l'avant du bac à légumes, puis tirez-le vers l'extérieur pour le sortir.
3. Pour installer le bac, inclinez légèrement l'avant vers le haut, insérez le tiroir dans le cadre et poussez-le en place.



Pour retirer le verre

1. Soulevez le verre sous le couvercle du bac à légumes.
2. Tirez le verre vers le haut et sortez-le.

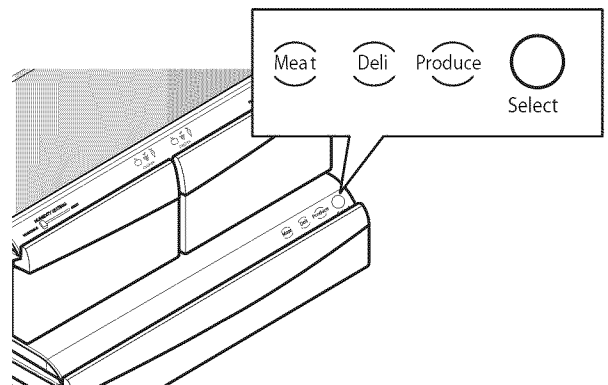
REMARQUE : (Tiroir non représenté par souci de clarté.)



TIROIR GARDE-MANGER À TEMPÉRATURE CONTRÔLÉE

Le tiroir garde-manger à température contrôlée fournit un espace de stockage avec contrôle de température variable pouvant maintenir le compartiment à une température inférieure à la section réfrigérateur. Ce tiroir peut être utilisé pour de grands plateaux de réception, des articles d'épicerie fine et les boissons. (Ce tiroir ne doit pas être utilisé pour les légumes demandant une humidité élevée.)

Appuyez sur le bouton **Select** pour choisir entre **Meat**, **Deli** et **Produce**.

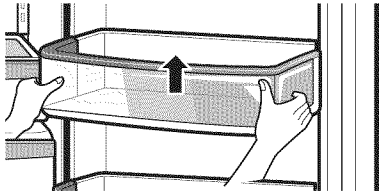


BAC DE PORTE

Les bacs de porte sont amovibles pour simplifier leur nettoyage et leur réglage.

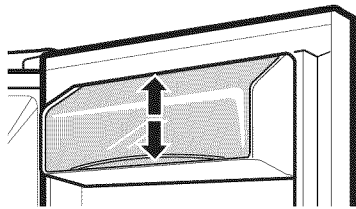
1. Pour retirer le bac, soulevez-le simplement et tirez-le vers l'extérieur.
2. Pour remettre en place le bac, faites-le glisser à l'intérieur au-dessus du support souhaité et poussez-le vers le bas pour l'enclencher.

REMARQUE : Certains bacs peuvent avoir un aspect différent et ne tenir qu'à un seul emplacement.



BAC À PRODUITS LAITIERS

1. Pour retirer le bac à produits laitiers, soulevez-le simplement et tirez vers l'extérieur.
2. Pour remettre en place le bac à produits laitiers, faites-le glisser en place et appuyez vers le bas pour l'enclencher.

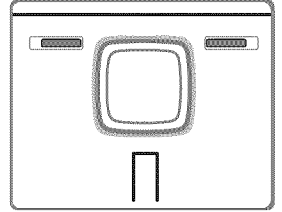


REMARQUE : Le bac à produits laitiers ne peut être placé que dans l'espace supérieur de la porte droite.

REPLACEMENT DU FILTRE D'AIR

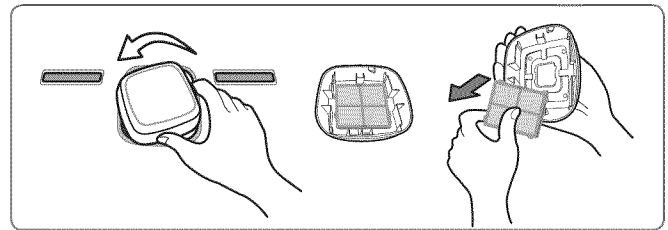
Il est conseillé de remplacer le filtre d'air:

- Tous les six mois.
- Quand le symbole CHANGE AIR FILTER (Changer le filtre d'air) s'allume.



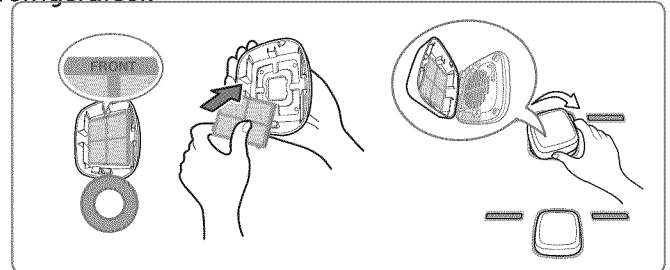
1. Retirer le filtre utilisé

Tournez le couvercle du filtre vers la gauche pour le détacher de la paroi du réfrigérateur. Le filtre se trouve à l'intérieur du couvercle du filtre. Retirez le filtre du couvercle et remplacez-le par un nouveau filtre.



2. Installer un nouveau filtre d'air

Placez le nouveau filtre à l'intérieur du couvercle avec le côté portant la mention « Avant » face vers l'extérieur. Tournez le filtre vers la droite pour le fixer sur la paroi du réfrigérateur.



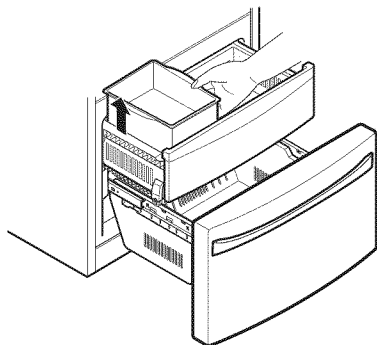
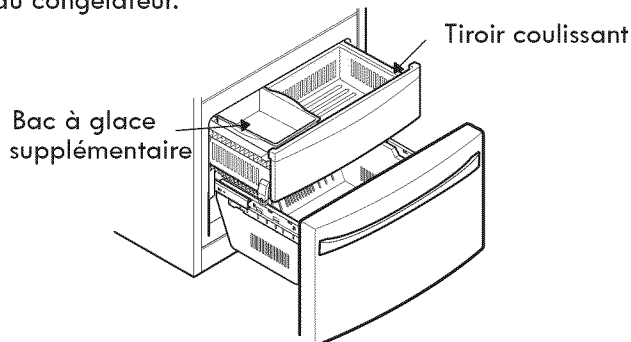
Après avoir changé le filtre d'air, appuyer pendant trois secondes sur le bouton du Filtre d'air pour réinitialiser le capteur du filtre.

NOTE: Pour acheter un filtre d'air de rechange, visiter un magasin Sears ou appeler le 1-800-4-MY-HOME®. Commander en ligne: www.sears.com/partsdirect

SECTION CONGÉLATEUR

BAC À GLAÇONS SUPPLÉMENTAIRES

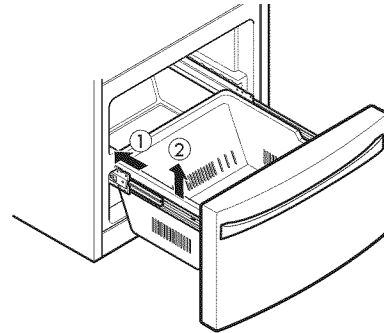
1. Tirez le tiroir du congélateur et le tiroir coulissant le plus loin possible pour retirer le bac à glace supplémentaire.
2. Soulevez délicatement le bac à glaçons et tirez vers l'extérieur pour le retirer.
3. Pour remettre en place, tirez les deux tiroirs le plus loin possible, et placez le bac à sa position appropriée dans le tiroir coulissant. Fermez le tiroir coulissant, puis le tiroir du congélateur.



⚠ ATTENTION : Risque de pincement! N'approchez pas les mains et les pieds du tiroir du congélateur lors de l'ouverture et de la fermeture.

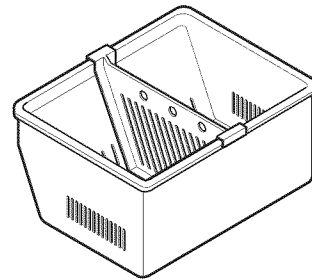
DURABASE

1. Pour retirer le Durabase, poussez-le vers l'arrière le plus loin possible. Inclinez l'avant du Durabase et tirez-le vers l'extérieur.
2. Pour le remettre en place, insérez le Durabase dans le rail.



DIVISEUR DU DURABASE

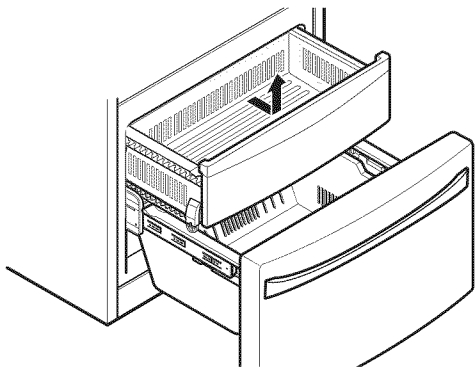
Le diviseur du Durabase permet d'organiser le volume du Durabase en deux sections. Il peut être réglé d'un côté à l'autre pour recevoir des articles de tailles différentes.



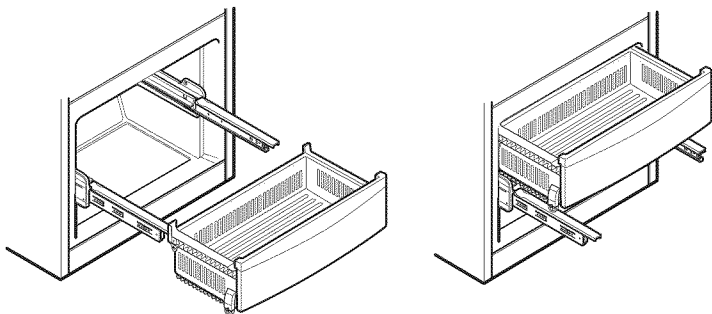
⚠ AVERTISSEMENT : Si le diviseur du Durabase est retiré, il y a suffisamment d'espace ouvert à l'intérieur pour qu'un enfant ou des animaux s'y glissent. Pour prévenir les risques qu'un enfant ou un animal reste coincé ou suffoque accidentellement, NE les laissez PAS toucher le tiroir ou s'en approcher.

TIROIR COULISSANT

1. Pour le retirer, tirez le tiroir pour le sortir complètement. Soulevez l'avant du tiroir, puis tirez-le vers l'extérieur.



2. Pour remettre en place, inclinez légèrement l'avant du tiroir vers le haut, insérez le tiroir dans le châssis, puis poussez le tiroir en place.

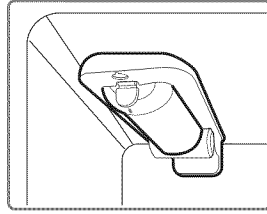


FILTRE À EAU

FILTRE À EAU CHANGE FILTER

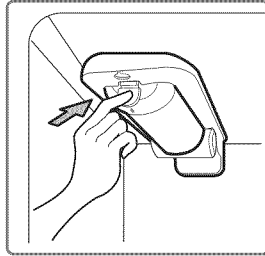
Il est recommandé de remplacer le filtre à eau :

- Environ tous les 6 mois.
- Lorsque le témoin de filtre à eau s'allume.
- Lorsque le débit du distributeur d'eau diminue.
- Lorsque les cubes de glace sont plus petits que d'habitude.



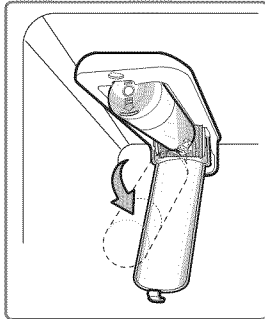
1. Retirez l'ancien filtre à eau.

- Abaissez ou retirez l'étagère gauche supérieure pour permettre au filtre à eau de basculer complètement.
- Appuyez sur le bouton-poussoir pour ouvrir le couvercle du filtre à eau.



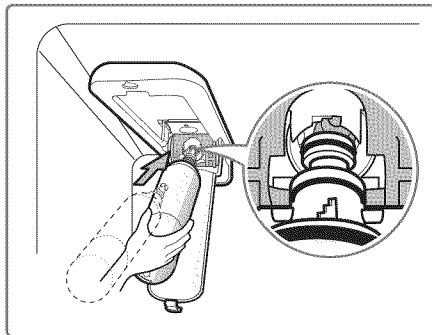
REMARQUE : Le remplacement du filtre à eau entraîne l'écoulement d'une petite quantité d'eau (environ 1 once ou 25 cc). Placez une tasse sous l'extrémité avant du couvercle du filtre à eau pour recueillir tout écoulement d'eau. Tenez le filtre à eau à la verticale, une fois qu'il est retiré, pour empêcher tout écoulement d'eau du filtre à eau.

- Tirez le filtre à eau vers le bas puis vers l'extérieur.

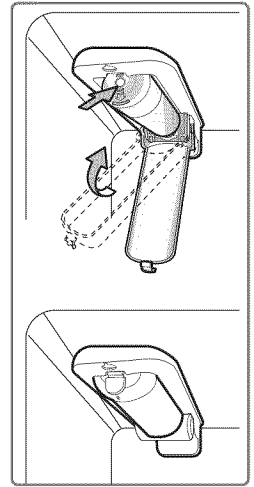


2. Remplacez par un nouveau filtre à eau.

- Sortez le nouveau filtre à eau de son emballage puis retirez l'enveloppe de protection des joints toriques. Les pattes du filtre à eau orientées en position horizontale, introduisez le nouveau filtre à eau à fond dans le collecteur.



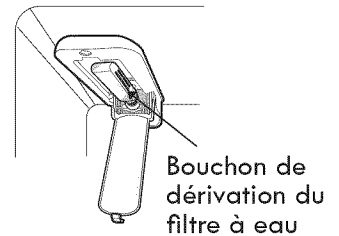
- Faites tourner le filtre à eau en position et fermez le couvercle. Le couvercle s'enclenche s'il est correctement fermé.



3. Une fois le filtre à eau remis en place, distribuez 2,5 gallons d'eau (laissez couler environ 5 minutes) pour purger l'air piégé et les contaminants du système. Ne distribuez pas toute la quantité des 2,5 gallons de façon continue. Enfoncez et relâchez la plaque du distributeur pour des cycles de 30 secondes d'activation et de 60 secondes de désactivation.

4. Bouchon de dérivation du filtre à eau

Conservez le bouchon de dérivation du filtre à eau. Vous DEVEZ utiliser le bouchon de dérivation du filtre à eau lorsqu'une cartouche de filtre à eau de remplacement n'est pas disponible.



⚠ ATTENTION : N'UTILISEZ PAS le réfrigérateur sans avoir installé de filtre à eau ou de bouchon de dérivation du filtre à eau.

REMARQUE : Pour acheter un filtre à eau de remplacement, rendez-vous dans un magasin Sears ou composez le 1-800-4-MY-HOME®. En outre, vous pouvez commander en ligne à l'adresse www.sears.com/partsdirect

Fiche technique de performances
Cartouche de remplacement à utiliser: ADQ36006102

La concentration des substances indiquées dans l'eau entrant dans le système a été réduite à une concentration inférieure ou égale à la limite autorisée pour l'eau sortant du système, telle que spécifiée dans la norme NSF/ANSI 42 et la norme 53.



Système testé et certifié par NSF International par rapport aux normes NSF/ANSI 42 et 53 pour la réduction des substances répertoriées ci-dessous.

Réduction des contaminants	Concentration moyen	Concentration seuil dans l'eau	% moyen de réduction	Concentration autorisée du produit dans l'eau	Concentration maximale autorisée du produit dans l'eau	Conditions de réduction NSF	Rapport de test NSF
Goût et odeur de chlore	2,1 mg/L	2,0 mg/L ± 10%	97,2%	0,06 mg/L	S/O	≥ 50%	J-00049247
Classe particulaire nominale I, ≥0,5 à < 1,0 µm	5,600,000 pts/mL	Au moins 10 000 particules/mL	98,7%	73 000 pts/ml	S/O	≥85%	J-00049282
Amiante	190 MFL	107 à 108 MFL; fibres d'une longueur supérieure à 10 µm	>99%	< 1 MFL	S/O	≥99%	J-0004928
Atrazine	0,0094 mg/L	0,009 mg/L ± 10%	94,7%	0,00005 mg/L	0,003 mg/L	S/O	J-00049293
Benzène	0,016 mg/L	0,015 mg/L ± 10%	96,7%	0,005 mg/L	0,005 mg/L	S/O	J-00049300
Carbofuran	0,08 mg/L	0,08 mg/L ± 10%	98,1%	0,002 mg/L	0,04 mg/L	S/O	J-00049294
Lindane	0,002 mg/L	0,002 mg/L ± 10%	98,2%	0,00004 mg/L	0,0002 mg/L	S/O	J-00051975
P-Dichlorobenzène	0,22 mg/L	0,225 mg/L ± 10%	99,8%	0,0005 mg/L	0,075 mg/L	S/O	J-00049298
Toxaphène	0,014 mg/L	0,015 mg/L ± 10%	93%	0,001 mg/L	0,003 mg/L	S/O	J-00049302
2,4-D	0,213 mg/L	0,210 mg/L ± 10%	95,2%	0,009 mg/L	0,07 mg/L	S/O	J-00049284
Plomb pH @6,5	0,150 mg/L	0,15 mg/L ± 10%	>99,3%	0,001 mg/L	0,010 mg/L	S/O	J-00051974
Plomb pH @8,5	0,150 mg/L	0,15 mg/L ± 10%	>99,3%	0,001 mg/L	0,010 mg/L	S/O	J-00049277
Mercure @ pH 6,5	0,0059 mg/L	0,006 mg/L ± 10%	96,1	0,0002 mg/L	0,002 mg/L	S/O	J-00053886
Mercure @ pH 8,5	0,0058 mg/L	0,006 mg/L ± 10%	90,1	0,0006 mg/L	0,002 mg/L	S/O	J-00051972
Sporocyste*	120 000 sporocystes/L	50 000 sporocystes/L minimum	99,99%	<1 sporocystes/L	S/O	≥99,95%	J-00049281

* Basé sur l'utilisation d'oocystes de *Cryptosporidium parvum*

Directives d'application/Paramètres d'approvisionnement d'eau	
Débit d'utilisation	0,5 gpm (1,9 lpm)
Approvisionnement d'eau	Eau potable
Pression de l'eau	40-120 psi (138 - 827 kPa)
Température de l'eau	33°F - 100°F (0,6°C - 38°C)

Il est essentiel que l'installation recommandée par le fabricant, ainsi que les procédures de maintenance et de remplacement du filtre à eau soient exécutées pour garantir les performances annoncées du produit.

REMARQUE : Alors que le test a été effectué dans des conditions de laboratoire normales, les performances réelles peuvent varier.

Pour les coûts estimés des éléments de remplacement, veuillez composer le 1-800-469-4663 ou visitez notre site Web à l'adresse www.sears.com/partsdirect

3M est une marque commerciale de 3M Company.
NSF est une marque commerciale de NSF International.
© 2009 3M Company. Tous droits réservés.

! AVERTISSEMENT

Pour réduire les risques associés à l'ingestion de contaminants : N'utilisez pas d'eau présentant une insécurité microbiologique ou de qualité inconnue sans une désinfection préalable avant et après le système. Les systèmes certifiés pour réduction de sporocystes peuvent être utilisés sur de l'eau désinfectée pouvant contenir des sporocystes filtrables. Numéro d'établissement EPA 10350-MN-005

! ATTENTION

Pour réduire les risques associés aux dommages matériels dus aux fuites d'eau :

- **Lisez et appliquez** les instructions du filtre à eau avant d'installer et d'utiliser ce système.
- L'installation et l'utilisation **DOIVENT** être conformes aux codes de plomberie locaux.
- **Ne procédez pas** à l'installation si la pression de l'eau est supérieure à 120 psi (827 kPa). Contactez un plombier professionnel en cas de doute sur la vérification de la pression de l'eau.
- **Ne procédez pas** à l'installation en présence de conditions de coup de bélier. En présence de conditions de coup de bélier, vous devez installer un antibellier. Contactez un plombier professionnel en cas de doute sur la vérification de cette condition.
- **Ne procédez pas** à l'installation sur des lignes d'adduction d'eau chaude.
La température d'eau maximale d'exploitation de ce système de filtrage à eau est de 100°F (38°C).
- **Protégez le filtre à eau du gel.** N'utilisez pas le réfrigérateur à une température ambiante inférieure à 55°F. Asséchez le filtre à eau lors d'un stockage à des températures inférieures à 40°F (4,4°C).
- Le filtre à eau jetable doit être remplacé tous les six mois, à la capacité nominale, ou si une réduction notable du débit est observée.

State of California
Department of Public Health
Water Treatment Device
Certificate Number
09 - 2019

Date Issued: December 15, 2009

Manufacturer: Sears Roebuck and Co.

The water treatment device(s) listed on this certificate have met the testing requirements pursuant to Section 116830 of the Health and Safety Code for the following health related contaminants:

Microbiological Contaminants and Turbidity

Cysts

Organic Contaminants

2,4-D Reduction
Atrazine
Benzene
Carbofuran
Lindane
p-Dichlorobenzene
Toxaphene

Inorganic/Radiological Contaminants

Asbestos
Lead
Mercury

Rated Service Capacity: 200 gal

Rated Service Flow: 0.5 gpm

Conditions of Certification:

AVERTISSEMENT



Risque d'explosion

Utilisez un produit de nettoyage ininflammable. Sinon, vous risquez de provoquer un incendie, une explosion ou des blessures mortelles.

Les sections réfrigérateur et congélateur se dégivrent automatiquement; cependant, il convient de nettoyer les deux sections environ une fois par mois pour empêcher la formation d'odeurs. Essuyez immédiatement les renversements.

CONSEILS DE NETTOYAGE GÉNÉRAUX

- Débranchez le réfrigérateur ou déconnectez la source de courant.
- Retirez toutes les parties mobiles, telles que les étagères, les bacs à légumes, etc. Reportez-vous aux sections **Utilisation de votre réfrigérateur** pour consulter les instructions de retrait.
- Utilisez une éponge propre ou un chiffon doux et un détergent léger dilué dans l'eau chaude. N'utilisez pas de produits de nettoyage abrasifs ou corrosifs.
- Lavez, rincez et essuyez à la main toutes les surfaces.
- Branchez le réfrigérateur et reconnectez l'alimentation électrique.


EXTÉRIEUR

Le cirage des surfaces métalliques peintes externes favorise la protection contre la rouille. Ne cirez pas les pièces en plastique. Cirez les surfaces métalliques peintes au moins deux fois par année à l'aide d'une cire pour appareils électroménagers (ou cire auto). Appliquez la cire avec un chiffon propre et doux.

Pour les produits dotés d'un extérieur en acier inoxydable, utilisez une éponge propre ou un chiffon doux et un détergent léger dilué dans l'eau chaude. N'utilisez pas de produits de nettoyage abrasifs ou corrosifs. Essuyez complètement avec un chiffon doux.

PAROIS INTÉRIEURES (laissez le congélateur se réchauffer afin d'éviter que le chiffon ne colle à la surface)

Pour faciliter l'élimination des odeurs, vous pouvez laver l'intérieur du réfrigérateur avec un mélange de bicarbonate de soude et d'eau chaude. Mélangez 2 cuillères à table de bicarbonate de soude à une pinte d'eau (26 g de bicarbonate de soude à 1 litre d'eau.) Vérifiez que le bicarbonate de soude est entièrement dissous afin qu'il ne risque pas de rayer les surfaces du réfrigérateur.

 **ATTENTION** : Pendant le nettoyage de l'intérieur, n'aspergez pas d'eau.

CONTRE-PORTES ET JOINTS

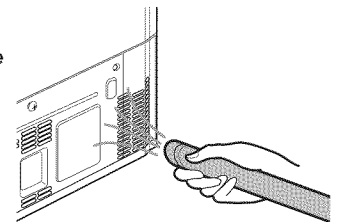
Utilisez une éponge propre ou un chiffon doux et un détergent léger dilué dans l'eau chaude. N'utilisez pas de cires nettoyantes, de détergent concentré, de javellisants ou de produits de nettoyage contenant des dérivés de pétrole sur les pièces en plastique du réfrigérateur.

PIÈCES EN PLASTIQUE (couvertles et panneaux)

Utilisez une éponge propre ou un chiffon doux et un détergent léger dilué dans l'eau chaude. N'utilisez pas d'aérosols de fenêtres, de produits de nettoyage abrasif ou de fluides inflammables. Ceux-ci peuvent égratigner ou endommager les matériaux.

SERPENTINS RÉFRIGÉRANTS

Utilisez un aspirateur équipé d'une rallonge pour nettoyer le couvercle et les ouvertures d'aération du serpentin réfrigérant. Ne retirez pas le panneau couvrant la zone du serpentin réfrigérant.



REPLACEMENT D'UNE AMPOULE D'ÉCLAIRAGE

AVERTISSEMENT

Risque d'électrocution

Avant de remplacer une ampoule d'éclairage de compartiment, débranchez le réfrigérateur ou coupez l'alimentation au niveau du disjoncteur ou d'une boîte de fusibles.

REMARQUE : La lampe du compartiment est un éclairage intérieur LED dont l'entretien doit être confié à un technicien qualifié.

COUPURES DE COURANT

1. En cas de coupure de courant de 24 heures ou moins, maintenez toutes les portes du réfrigérateur fermées pour maintenir les aliments froids et congelés.
2. Si la coupure de courant devait durer plus que 24 heures, retirez tous les aliments congelés et stockez-les dans un casier pour denrées congelées.

LORSQUE VOUS PARTEZ EN VACANCES

Si vous choisissez de laisser en service le réfrigérateur pendant votre voyage, suivez les instructions suivantes pour préparer le réfrigérateur avant votre départ.

1. Consommez toutes les denrées périssables et congelez les autres denrées.
2. Arrêtez la machine à glaçons et videz le bac à glace.

Si vous choisissez de mettre hors tension le réfrigérateur avant votre départ, procédez comme suit.

1. Retirez tous les aliments du réfrigérateur.
2. Selon votre modèle, réglez le contrôle du thermostat (contrôle du réfrigérateur) sur OFF. Reportez-vous à la section Réglage des contrôles.
3. Nettoyez le réfrigérateur, essuyez-le et séchez-le.
4. Avec du ruban adhésif fixez des blocs de caoutchouc ou de bois en haut des deux portes pour les maintenir ouvertes suffisamment pour laisser pénétrer l'air à l'intérieur. Cela permet d'éviter la formation d'odeurs et de moisissures.

LORSQUE VOUS DÉMÉNAGEZ

Lorsque vous déménagez votre réfrigérateur dans une nouvelle maison, procédez comme suit pour le préparer au déménagement.

1. Retirez tous les aliments du réfrigérateur et emballez-les dans de la glace sèche.
2. Débranchez le réfrigérateur.
3. Nettoyez, essuyez et séchez complètement.
4. Retirez toutes les pièces amovibles, emballez-les et attachez-les ensemble avec du ruban adhésif afin qu'elles ne s'entrechoquent pas pendant le transport. Reportez-vous à la section **Utilisation du réfrigérateur** pour les instructions concernant les pièces amovibles.
5. Selon le modèle, soulevez l'avant du réfrigérateur afin qu'il roule plus facilement OU vissez à fond vers l'intérieur les cales de réglage afin d'éviter qu'elles ne raient le plancher. Reportez-vous à la section **Fermeture des portes**.
6. Maintenez les portes fermées avec du ruban adhésif et fixez le cordon d'alimentation à l'armoire du réfrigérateur avec du ruban adhésif.

Lorsque vous arrivez dans votre nouvelle maison, remettez tout en place et reportez-vous à la section **Installation du réfrigérateur** pour les instructions de préparation.

CONNEXION DU TUYAU D'EAU

AVANT DE COMMENCER

Cette installation de raccordement d'eau n'est pas couverte par la garantie de ce réfrigérateur. Suivez attentivement ces instructions pour minimiser les risques de coûteux dégâts des eaux.

Des coups de bélier (brusques déplacements d'eau dans les tuyaux) dans une plomberie domestique peuvent endommager les pièces du réfrigérateur et provoquer des fuites d'eau ou des dégâts des eaux. Contactez un plombier qualifié pour corriger les effets de coups de bélier avant de raccorder la conduite d'approvisionnement d'eau au réfrigérateur.

Pour éviter les brûlures et les dommages au produit, raccordez uniquement le tuyau d'eau du réfrigérateur à un approvisionnement d'eau froide.

Si vous utilisez votre réfrigérateur avant de raccorder l'eau, assurez-vous que l'interrupteur de la machine à glaçons est en position **OFF (O)**.

N'installez pas la tuyauterie de la machine à glaçons à des endroits où la température tombe sous le niveau du gel.

PRESSIION DE L'EAU

Un approvisionnement d'eau froide. La pression de l'eau doit être comprise entre 20 et 120 psi sur les modèles ne comportant pas de filtre à eau, et entre 40 et 120 psi sur des modèles qui en sont dotés.

Si un **système de filtration d'eau à osmose inverse** est raccordé à votre approvisionnement d'eau froide, cette installation de raccordement d'eau n'est pas couverte par la garantie du réfrigérateur. Suivez attentivement les instructions suivantes pour minimiser les risques de coûteux dégâts des eaux.

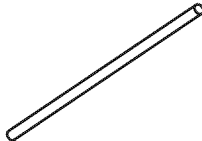
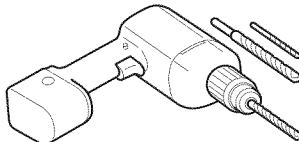
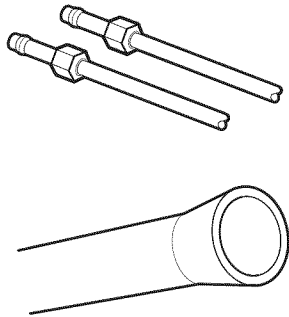
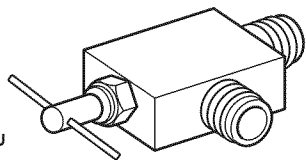
Si un **système de filtrage d'eau à osmose inverse** est raccordé à un votre d'approvisionnement d'eau froide, la pression d'eau au système à osmose inverse doit être d'au moins 40 à 60 psi (2,8 kgf/cm² ~ 4,2 kgf/cm², moins de 2,0~3,0 secondes pour remplir une tasse d'une capacité de 7 onces).

Si la pression d'eau du système à osmose inverse est inférieure à 21 psi ou 1,5 kgf/cm² (plus de 4,0 secondes pour remplir une tasse d'une capacité de 7 onces) :

- Vérifiez que le filtre à sédiments dans le système à osmose inverse n'est pas bloqué. Remplacez le filtre si nécessaire.
- Laissez le réservoir de stockage du système à osmose inverse se remplir après une utilisation intensive.
- Si le problème de la pression d'eau du système à osmose inverse persiste, contactez un plombier qualifié.
- Toutes les installations doivent être conformes aux conditions du code de plomberie local.

⚠ ATTENTION : Portez une protection des yeux pendant l'installation pour prévenir toute blessure.

CE DONT VOUS AUREZ BESOIN

- **Tuyau de cuivre**, 1/4 po. de diamètre extérieur pour accorder le réfrigérateur à l'approvisionnement d'eau. Assurez-vous que les deux extrémités du tuyau ont une coupe perpendiculaire. 
 - Pour déterminer la longueur de tuyau requise : mesurez la distance entre la vanne à eau à l'arrière du réfrigérateur et la conduite d'approvisionnement d'eau. Ajoutez ensuite 8 pieds (2,4 m). Assurez-vous qu'il y a une section supplémentaire de tuyau suffisante (environ 8 pieds [2,4 m] bouclée en 3 coudes d'environ 10 po. [25 cm] le diamètre) pour permettre de placer le réfrigérateur à une distance adéquate du mur après l'installation.
 - **Perceuse.**
 - **Clé de 1/2 po. ou clé à ouverture variable.**
 - **Tournevis à lame plate et à pointe cruciforme.**
 - **Deux écrous de serrage d'un diamètre extérieur de 1/4 po. et 2 bagues (gainés)** pour raccorder les tuyaux de cuivre à la vanne d'arrêt et à la vanne à eau du réfrigérateur. 
 - Si votre conduite d'eau en cuivre a une extrémité évasée, vous aurez besoin d'un **adaptateur** (disponible dans les magasins d'articles de plomberie) pour raccorder la conduite d'eau au réfrigérateur OU vous pouvez couper le bout évasé avec un coupeur de tuyau et utiliser un dispositif de serrage. 
 - **Vanne d'arrêt pour raccorder la conduite d'eau froide.** La vanne d'arrêt doit comporter une entrée d'eau d'un diamètre intérieur minimal de 5/32 po. au point de raccordement à la CONDUITE D'EAU FROIDE. Les vannes d'arrêt de type étrier sont incluses dans plusieurs kits d'approvisionnement d'eau. Avant d'en acheter, assurez-vous qu'une vanne de type étrier est conforme aux codes de plomberie locaux. 
- REMARQUE :** Une vanne à eau de type étrier auto-perceuse ne doit pas être utilisée.

⚠ AVERTISSEMENT

Risque d'électrocution

Lors de l'utilisation d'un dispositif électrique (telle qu'une perceuse) pendant l'installation, assurez-vous que le dispositif est alimenté par batterie, est doté d'une double isolation ou est mis à la terre afin d'éliminer les risques d'électrocution.

INSTRUCTIONS D'INSTALLATION

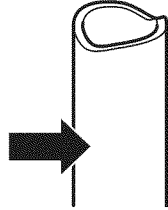
Installez la vanne d'arrêt sur la conduite d'eau potable fréquemment utilisé le plus proche.

1. ARRÊTEZ L'APPROVISIONNEMENT D'EAU PRINCIPAL

Ouvrez le robinet le plus proche pour libérer la pression sur la ligne.

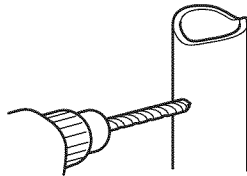
2. CHOISISSEZ L'EMPLACEMENT DE LA VANNE

Choisissez un emplacement facilement accessible pour la vanne. Il est préférable d'établir le raccordement dans le côté d'un tuyau d'eau vertical. S'il est nécessaire de faire le raccordement dans un tuyau d'eau horizontal, utilisez la face supérieure ou latérale et non la face inférieure, pour éviter la récupération des sédiments du tuyau d'eau.



3. PERCEZ LE TROU POUR LA VANNE

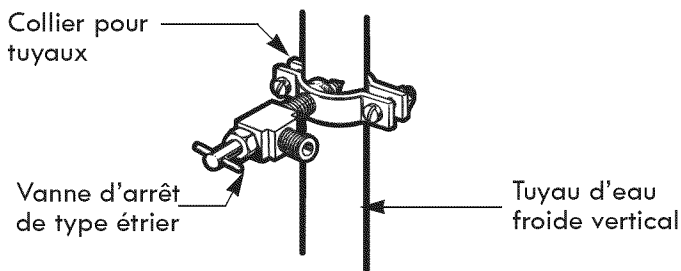
Percez un trou de 1/4 po. dans le tuyau d'eau avec une mèche aiguisée. Enlevez toute ébarbure résultant du perçage du trou dans le tuyau. Veillez à ne pas laisser l'eau s'écouler dans la perceuse. Si vous ne percez pas un trou de 1/4 po., il est possible que la production de glace soit réduite ou que les glaçons soient plus petits.



REMARQUE : La conduite de raccordement ne peut pas être un tuyau en plastique blanc. Les plombiers professionnels doivent utiliser uniquement un tuyau de cuivre NDA #49595 ou 49599 ou un tuyau polyéthylène réticulé (PEX, Cross Link Polyéthylène).

4. FIXEZ LA VANNE D'ARRÊT

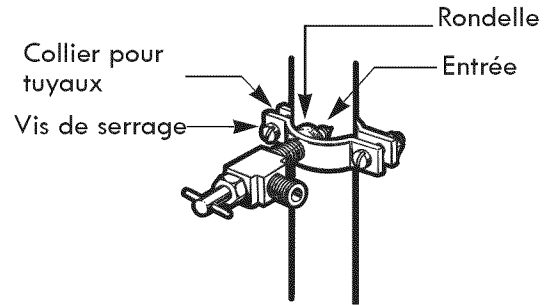
Fixez la vanne d'arrêt au tuyau d'eau froide avec le collier de serrage pour tuyau.



5. SERREZ LE COLLIER DE SERRAGE

Serrez les vis du collier de serrage jusqu'à ce que la rondelle d'étanchéité commence à gonfler.

REMARQUE : Ne serrez pas trop le collier de serrage, vous pourriez écraser le tuyau.



6. ACHEMINEZ LA TUYAUTERIE

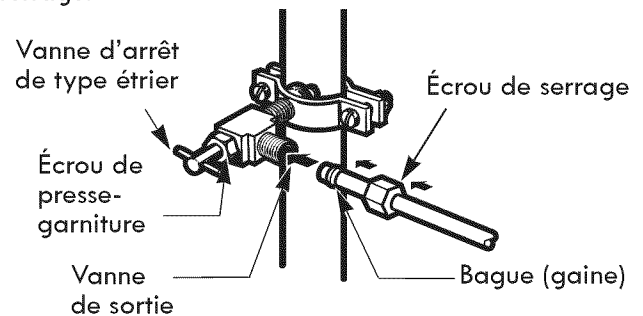
Acheminez la tuyauterie entre la conduite d'eau froide et le réfrigérateur.

Acheminez la tuyauterie par un trou pratiqué dans le mur ou le plancher (derrière le réfrigérateur ou l'armoire de base adjacente) aussi près que possible du mur.

REMARQUE : Assurez-vous qu'il y a une section supplémentaire de tuyau suffisante (environ 8 pieds bouclée en 3 coudes d'environ 10 po. de diamètre) pour permettre de placer le réfrigérateur à une distance adéquate du mur après l'installation.

7. RACCORDEZ LA TUYAUTERIE À LA VANNE

Placez l'écrou de serrage et la bague (gaine) pour le tuyau de cuivre à l'extrémité du tuyau et raccordez-le à la vanne d'arrêt. Assurez-vous que le tuyau est complètement introduit dans la vanne. Serrez solidement l'écrou de serrage.



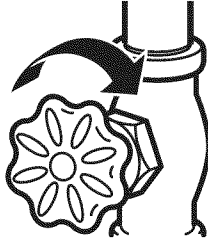
REMARQUE : Les codes de plomberie Commonwealth of Massachusetts 248CMR doivent être observés. Les vannes de type étrier sont illégales et leur utilisation n'est pas autorisée dans le Massachusetts. Consultez votre plombier licencié.

REMARQUE : Les codes de plomberie Commonwealth of Massachusetts 248CMR doivent être observés. Les vannes de type étrier sont illégales et leur utilisation n'est pas autorisée dans le Massachusetts. Consultez votre plombier licencié.

8. LAVEZ LA TUYAUTERIE

Ouvrez l'approvisionnement d'eau principal et laissez couler l'eau jusqu'à ce que l'eau soit propre.

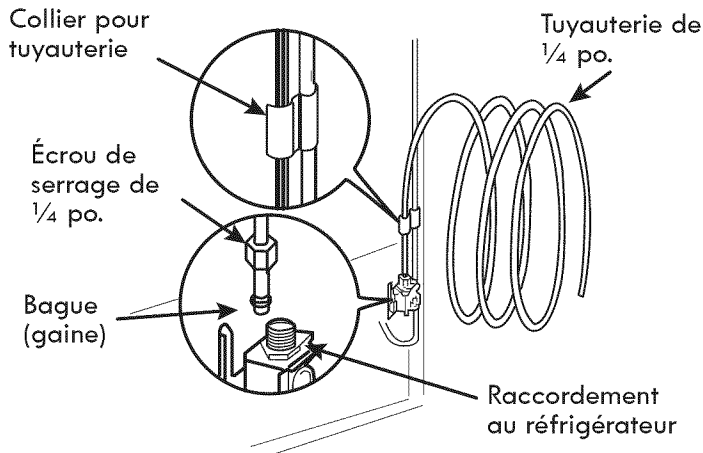
Arrêtez l'eau au niveau de la vanne d'eau après avoir laissé s'écouler environ une pinte d'eau par la tuyauterie.



9. RACCORDEZ LE TUYAU AU RÉFRIGÉRATEUR

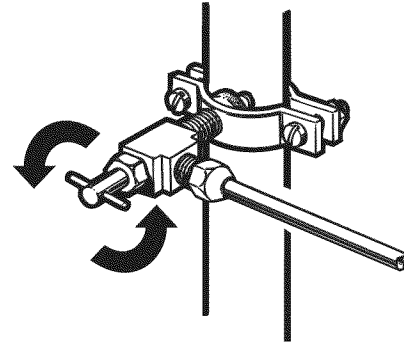
REMARQUE : Avant d'établir le raccordement au réfrigérateur, assurez-vous que le cordon d'alimentation du réfrigérateur n'est pas branché sur la prise murale.

1. Retirez le bouchon flexible en plastique de la vanne d'eau.
2. Placez l'écrou de serrage et la bague (gaine) à l'extrémité de la tuyauterie, tel qu'indiqué.
3. Insérez l'extrémité du tuyau en cuivre dans la connexion, le plus loin possible. Tout en tenant la tuyauterie, serrez le raccord.



10. OUVREZ L'EAU SUR LA VANNE D'ARRÊT

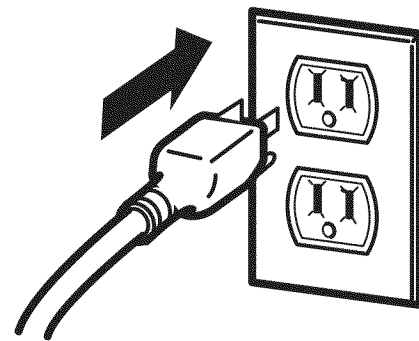
Serrez les raccords présentant une fuite.



ATTENTION : Vérifiez l'absence de fuite sur les raccordements à la conduite d'eau.

11. BRANCHEZ LE RÉFRIGÉRATEUR

Disposez le cheminement de la tuyauterie de façon à éviter les vibrations contre l'arrière du réfrigérateur ou contre le mur. Repoussez le réfrigérateur vers le mur.



12. DÉMARREZ LA MACHINE À GLAÇONS

Mettez l'interrupteur de la machine à glaçons en position **ON**.

La machine à glaçons commence à fonctionner jusqu'à ce qu'elle atteigne sa température de fonctionnement de 15°F (-9°C) ou une température inférieure. Elle commence automatiquement à fonctionner si l'interrupteur de la machine à glaçons est en position **ON (I)**.

COMPRENDRE LES SONS QUE VOUS POUVEZ ENTENDRE

Votre nouveau réfrigérateur peut produire des sons que votre ancien appareil ne produisait pas. La plupart des nouveaux sons sont normaux. Les surfaces dures, comme le plancher, les murs et les armoires, peuvent faire percevoir les sons plus forts qu'ils ne sont réellement. Les paragraphes suivants décrivent les types de sons que vous pourriez entendre et ce qui pourrait les causer.

Déclic :

Le contrôle de dégivrage émet un déclic lorsque le cycle de dégivrage automatique commence et se termine. La commande du thermostat (ou commande du réfrigérateur, selon le modèle) produit aussi un déclic au début ou à la fin de son cycle.

Crépitement :

Des crépitements peuvent provenir du flux du réfrigérant, de la conduite d'eau, ou des produits placés sur le réfrigérateur.

Grincement :

- Moteur du ventilateur de l'évaporateur faisant circuler de l'air à travers les compartiments réfrigérateur et congélateur.
- Air forcé sur le condensateur par le ventilateur du condensateur.
- Le ventilateur du compartiment de glace dans le congélateur ou du côté gauche du réfrigérateur lorsque les portes sont ouvertes.

Gargouillement :

À la fin de chaque cycle, vous pourriez entendre un bruit de gargouillement causé par le réfrigérant circulant dans le système de refroidissement.

Claquement :

Contraction et expansion des parois intérieures.

Grésillement :

Égouttement d'eau dans le radiateur de dégivrage pendant le cycle de dégivrage.

Bruit de vibration :

Si le côté ou l'arrière du réfrigérateur touche une armoire ou un mur, une partie des vibrations normales peut produire un son audible. Pour éliminer le bruit, assurez-vous que les côtés et l'arrière ne peuvent pas vibrer contre un mur ou une armoire.

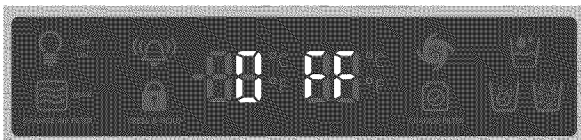
Égouttement :

Eau qui tombe dans le plateau de dégivrage pendant le cycle de dégivrage.

Son modulé ou aigu :

Votre réfrigérateur est conçu pour fonctionner plus efficacement et conserver vos aliments à la température souhaitée. Le compresseur très efficace peut fonctionner plus longtemps que celui de votre ancien réfrigérateur, mais il est quand même plus écoénergétique que ceux des modèles précédents. Lorsque le réfrigérateur fonctionne, il est normal d'entendre un son aigu modulé.

Problème	Causes possibles	Solutions
Le réfrigérateur ne refroidit pas.	Le cordon d'alimentation est débranché.	Branchez fermement le cordon d'alimentation sur une prise sous tension ayant une tension appropriée (voir Conditions électriques et de mise à la masse).
	Un fusible domestique a grillé ou un disjoncteur a sauté.	Remplacez le fusible ou réinitialisez le disjoncteur. Si le problème persiste, contactez un électricien.
	Le contrôle du réfrigérateur est réglé sur la position OFF.	Reportez-vous à la section Réglage des contrôles.
	Le réfrigérateur effectue le cycle de dégivrage.	Attendez environ 30 minutes la fin du cycle de dégivrage.
	Le réfrigérateur est en mode Démonstration.	Le mode Démonstration permet aux témoins et à l'affichage du contrôle de fonctionner normalement alors que le système de refroidissement est désactivé afin d'économiser de l'énergie dans la salle d'exposition. Pour désactiver le mode Démonstration, ouvrez une porte, puis maintenez enfoncés les boutons Ultra Ice et Refrigerator Temp. pendant cinq secondes. Une fois désactivé, OFF disparaît et les réglages de température précédents s'affichent (reportez-vous à la section Réglage des contrôles pour les températures recommandées).



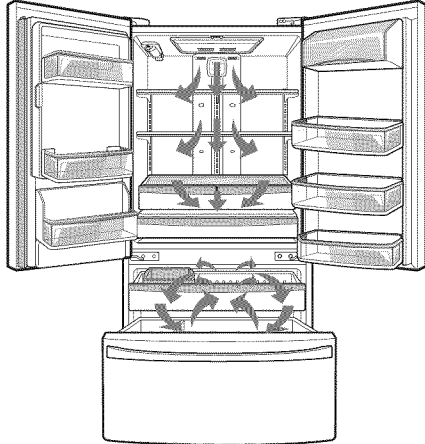
Problème	Causes possibles	Solutions
Les lumières ne fonctionnent pas.	Le cordon d'alimentation est débranché. Les lumières intérieures ont mal fonctionné.	Branchez fermement le cordon d'alimentation sur une prise sous tension ayant une tension appropriée (voir Conditions électriques et de mise à la masse). La lampe du compartiment est un éclairage intérieur LED dont l'entretien doit être confié à un technicien qualifié.
Bruit de vibration ou de cliquetis.	Le réfrigérateur n'est pas posé correctement au sol.	Le plancher est faible ou irrégulier ou les cales de réglage nécessitent un ajustement. Reportez-vous à la section Installation pour les instructions de mise à niveau.
Le compresseur semble trop fonctionner.	Le réfrigérateur qui a été remplacé était un ancien modèle.	Les réfrigérateurs modernes nécessitent plus de temps de fonctionnement mais utilisent moins d'énergie en raison d'une technologie plus efficace.
	La température de la pièce est supérieure à la normale.	Le compresseur fonctionne plus longtemps à des températures plus élevées. À des températures ambiantes normales (70°F) votre compresseur devrait fonctionner environ 40 % à 80 % du temps. À des températures plus élevées, vous pouvez vous attendre qu'il fonctionne plus souvent. Le réfrigérateur ne doit pas être utilisé à une température supérieure à 110°F.
	La porte est souvent ouverte ou une grande quantité de nourriture vient d'être ajoutée.	L'ajout de nourriture et les ouvertures fréquentes de la porte font perdre du froid au réfrigérateur, ce qui oblige le compresseur à fonctionner plus longtemps pour refroidir de nouveau le réfrigérateur. Pour économiser de l'énergie, essayez de prendre tout ce qu'il vous faut dans le réfrigérateur en une seule fois, de bien ranger les aliments pour les trouver rapidement et de fermer la porte dès que vous avez récupéré l'aliment souhaité. (Reportez-vous à la section Guide de stockage des aliments.)
	Le réfrigérateur a été récemment branché et son contrôle n'a pas été correctement réglé.	Le réfrigérateur mettra jusqu'à 24 heures pour se refroidir complètement.
	Le contrôle du réfrigérateur n'est pas correctement réglé pour les conditions ambiantes.	Reportez-vous à la section Ajustement des réglages de contrôle.
	Les portes ne sont pas complètement fermées.	Appuyez fermement sur les portes pour les fermer. Si elles ne ferment pas entièrement, reportez-vous à « Les portes ne se ferment pas complètement » dans la section Dépannage.
	Le couvercle arrière est sale.	Cela empêche la circulation de l'air et augmente le travail du moteur. Nettoyez le couvercle arrière. Reportez-vous à la section Entretien et nettoyage.

Problème	Causes possibles	Solutions
Les portes ne se ferment pas complètement.	Le réfrigérateur n'est pas à niveau.	Reportez-vous à la section Mise à niveau et alignement des portes .
	Des aliments empêchent la fermeture des portes.	Redisposez les contenants d'aliments pour dégager la porte et les étagères de la porte.
	Le bac à glace, le couvercle du bac à légumes, les plateaux, les étagères, les bacs dans la porte ou les paniers ne sont pas correctement positionnés.	Poussez les bacs à fond et placez le couvercle du bac à légumes, les plateaux, les étagères et les paniers aux positions appropriées. Reportez-vous à la section Utilisation du réfrigérateur pour plus d'informations.
	Les joints d'étanchéité sont collants.	Nettoyez les joints d'étanchéité et les surfaces avec lesquelles ils entrent en contact. Appliquez une fine couche de produit à polir pour appareils électroménagers ou de cire de cuisine sur les joints d'étanchéité après nettoyage.
	Le réfrigérateur branle ou semble instable.	Mettez à niveau le réfrigérateur. Reportez-vous à Mise à niveau et alignement des portes pour plus d'informations.
	Les portes ont été retirées pendant l'installation du produit et n'ont pas été correctement remises en place.	Retirez et remettez en place les portes conformément à la section Retrait et remise en place des portes et poignées du réfrigérateur , ou appelez un technicien qualifié.
	Le meneau articulé n'est pas bien positionné.	Faites pivoter le meneau articulé à sa position fermée et réessayez de fermer la porte. Reportez-vous à Fonctionnalités du réfrigérateur pour plus d'informations sur le meneau articulé.
Givre ou cristaux de glace sur la nourriture congelée.	La porte ne se ferme pas correctement.	Reportez-vous à « Les portes ne se ferment pas complètement » dans la section Dépannage .
	Les portes sont souvent ouvertes.	Lorsque la porte est ouverte, de l'air chaud, humide peut entrer dans le congélateur, ce qui produit du givre.
La glace a un mauvais goût ou une mauvaise odeur.	La machine à glaçons a été récemment installée.	Jetez les premiers lots de glaçons pour éviter la glace décolorée ou ayant un mauvais goût.
	La glace a été stockée trop longtemps.	Jetez les anciens glaçons et fabriquez-en de nouveaux.
	La nourriture n'a pas été bien enveloppée dans un compartiment.	Emballez de nouveau les aliments car les odeurs pourraient passer dans la glace s'ils ne sont pas correctement enveloppés.
	L'approvisionnement d'eau contient des minéraux tels que du soufre.	Un filtre à eau devra éventuellement être installé pour éliminer les problèmes de goût et d'odeur.
	L'intérieur du réfrigérateur a besoin d'un nettoyage.	Reportez-vous à la section Entretien et nettoyage pour plus d'informations.
	Le bac de stockage de glace doit être nettoyé.	Videz et nettoyez le bac. Jetez les anciens cubes.
Il y a de l'eau dans le plateau de dégivrage.	Le réfrigérateur est en cours de dégivrage.	L'eau s'évaporerait. Il est normal que de l'eau s'égoutte dans le plateau de dégivrage.
	Le temps est anormalement humide.	Il faut prévoir que l'eau dans le plateau de dégivrage mettra plus longtemps à s'évaporer. C'est normal par temps chaud ou humide.

Problème	Causes possibles	Solutions
Le réfrigérateur semble faire trop de bruit.	Les sons peuvent être normaux pour votre réfrigérateur.	Reportez-vous à la section Comprendre les sons que vous pouvez entendre pour plus d'informations.
La machine à glaçons ne produit pas de glace ou pas suffisamment de glace.	Nouvelle installation.	Attendez 12 à 24 heures après l'installation de la machine à glaçons pour que la production de glace commence. Attendez 72 heures pour une production maximale de glace.
	Le réfrigérateur n'est pas raccordé à un approvisionnement d'eau ou la vanne d'arrêt d'approvisionnement n'est pas ouverte.	Raccordez le réfrigérateur à l'approvisionnement d'eau et ouvrez entièrement la vanne d'arrêt.
	Le système de filtrage d'eau à osmose inverse est raccordé à votre approvisionnement d'eau froide.	Les systèmes de filtrage à osmose inverse peuvent réduire la pression d'eau sous le seuil minimal et provoquer des problèmes de machine à glaçons. (Reportez-vous à la section Pression de l'eau .)
	Nœud dans le tuyau d'approvisionnement d'eau.	Un nœud dans le tuyau peut réduire le débit. Assurez-vous que le tuyau d'approvisionnement d'eau a un parcours rectiligne.
	La demande de glace a dépassé la capacité de stockage.	La machine à glaçons produira environ 100 cubes par période de 24 heures. REMARQUE : Un bac à glaçons supplémentaire est fourni dans la section congélateur pour augmenter la capacité de stockage.
	La machine à glaçons n'est pas activée.	Localisez l'interrupteur ON/OFF de la machine à glaçons et vérifiez qu'il est en position ON (I).
	Il y a quelque chose sur le capteur de détection de glace.	Des corps étrangers ou du givre sur le capteur de détection de glace peuvent interrompre la production de glace. Vérifiez à tout moment la propreté de la zone du capteur pour garantir un bon fonctionnement.
	Le réglage de température du congélateur est trop élevé.	La température recommandée du compartiment congélateur pour une production normale de glace est de 0°F. Si la température du congélateur est plus élevée, la production de glace s'en trouve affectée.
	Les portes sont souvent ouvertes.	Si les portes de l'appareil sont souvent ouvertes, l'air ambiant réchauffera le réfrigérateur ce qui empêchera l'appareil de maintenir la température réglée. L'abaissement de la température du réfrigérateur peut contribuer à résoudre le problème tout autant qu'une ouverture moins fréquente des portes.
	Les portes ne sont pas correctement fermées.	Si les portes ne sont pas correctement fermées, la production de glace s'en trouve affectée. Reportez-vous à « Les portes ne se ferment pas complètement » dans la section Dépannage pour plus d'informations.
	La porte du compartiment de glace ne se ferme pas correctement.	Si la porte du compartiment de glace n'est pas correctement fermée, la production de glace s'en trouve affectée. Vérifiez que la porte du compartiment de glace est fermée pour garantir un bon fonctionnement. Reportez-vous à la section Fonctionnalités du réfrigérateur .
La fonction Ultra Ice n'est pas sélectionnée.	Ultra Ice augmente la production de glace en abaissant la température du compartiment congélateur. Reportez-vous à Réglage des contrôles	

Problème	Causes possibles	Solutions
Pas de distribution de glace.	Certaines portes ne sont pas complètement fermées.	La distribution de glace ne fonctionne pas si l'une des portes du réfrigérateur est laissée ouverte.
	L'affichage du distributeur est verrouillé.	Maintenez enfoncé le bouton Lock pendant 3 secondes pour déverrouiller le panneau de commande et le distributeur.
	Ice n'est pas sélectionné sur le distributeur.	Le distributeur peut distribuer de la glace ou de l'eau. Vérifiez que le panneau de commande est réglé au mode souhaité. Appuyez sur le bouton Dispenser sur le panneau de commande pour parcourir les options de glace et d'eau.
	Le distributeur de glace n'est pas souvent employé.	Un usage peu fréquent du distributeur de glace peut provoquer l'adhérence des cubes de glace, ce qui peut compromettre la distribution. Vérifiez que les cubes de glace n'adhèrent pas entre eux. S'ils adhèrent entre eux, séparez-les pour rétablir le bon fonctionnement de la machine.
	Le bac à glace n'est pas correctement installé.	Veillez à correctement installer le bac à glace à la position appropriée. Reportez-vous à la section Utilisation du réfrigérateur pour les instructions de retrait et d'installation.
	Nouvelle installation.	Attendez 24 heures après l'installation de la machine à glaçons pour que la production de glace commence. Attendez 72 heures pour une production maximale de glace.
	Le déversoir de livraison est obstrué par du givre ou des fragments de glace.	Éliminez le givre ou les fragments de glace en retirant le bac à glace et en dégageant le déversoir avec un ustensile en plastique. La distribution de glace en cubes peut également contribuer à empêcher la formation de givre ou de fragments de glace.
Distribution d'eau tiède.	Nouvelle installation.	Après l'installation, il faut au moins 24 heures pour refroidir le réservoir de stockage de l'eau.
	Le distributeur d'eau a été utilisé récemment et le réservoir de stockage était épuisé.	L'appareil est doté d'un réservoir de stockage d'eau de 12 onces à l'intérieur du réfrigérateur.
	Le réfrigérateur est connecté à une conduite d'eau chaude.	Vérifiez que le réfrigérateur est raccordé à une conduite d'eau froide.
La section RÉFRIGÉRATEUR ou CONGÉLATEUR est trop froide.	Les contrôles ne sont pas réglés correctement pour les conditions ambiantes.	Lors du changement des réglages de contrôle, attendez 24 heures avant d'effectuer des ajustements supplémentaires. Si la température est trop froide, augmentez le réglage de température d'un incrément à la fois (reportez-vous à la section Réglage des contrôles).

Problème	Causes possibles	Solutions
Pas de distribution d'eau.	Le panneau du distributeur est verrouillé.	Maintenez enfoncé le bouton Lock pendant 3 secondes pour déverrouiller le panneau de commande et le distributeur.
	Nouvelle installation.	Videz et remplissez le système d'eau.
	Les portes du réfrigérateur et du congélateur ne sont pas correctement fermées.	La distribution d'eau ne fonctionne pas si l'une des portes du réfrigérateur est laissée ouverte.
	Le réfrigérateur n'est pas raccordé à un approvisionnement d'eau ou la vanne d'arrêt d'approvisionnement n'est pas ouverte.	Raccordez le réfrigérateur à l'approvisionnement d'eau et ouvrez entièrement la vanne d'arrêt.
	Un filtre domestique ou un système à osmose inverse est employé.	Cela diminue la pression de l'eau. Pour un fonctionnement optimal, ne connectez pas la conduite d'approvisionnement à un système à osmose inverse. (Reportez-vous à la section Pression de l'eau.)
	Le distributeur n'est pas configuré pour la distribution de l'eau.	Le distributeur peut distribuer de la glace ou de l'eau. Vérifiez que le panneau de commande est réglé au mode souhaité. Appuyez sur le bouton Dispenser sur le panneau de commande pour parcourir les options de glace et d'eau.
	Le filtre à eau doit être changé.	Le filtre à eau doit être changé tous les 6 mois ou plus souvent selon l'utilisation. Le filtre à eau peut avec le temps devenir obstrué par des corps étrangers et alors réduire la pression de l'eau.
Les portes sont difficiles à ouvrir.	Les joints d'étanchéité sont sales ou collants.	Nettoyez les joints d'étanchéité et les surfaces avec lesquelles ils entrent en contact. Appliquez une fine couche de produit à polir pour appareils électroménagers ou de cire de cuisine sur les joints d'étanchéité après nettoyage.
	La porte est rouverte peu de temps après avoir été ouverte.	Lorsque vous ouvrez la porte, de l'air plus chaud pénètre dans le réfrigérateur. Comme l'air chaud refroidit, il crée un vide. Si la porte est difficile à ouvrir, attendez une minute pour laisser la pression d'air s'égaliser, puis vérifiez si elle s'ouvre plus facilement.
Aliments congelés dans le compartiment réfrigérateur.	Le contrôle de température dans le compartiment réfrigérateur est trop froid.	Appuyez sur le bouton Refrigerator Temp. pour régler le compartiment réfrigérateur à une température moins froide.
	Le réfrigérateur est installé dans un lieu froid.	Lorsque la température de la pièce est inférieure à 41°F (5°C), la nourriture peut geler. Le réfrigérateur ne doit pas fonctionner à une température inférieure à 55°F (13°C).
	Un aliment à contenu en eau très élevé a été placé trop près de l'ouverture de décharge d'air froid.	Placez les aliments à contenu en eau très élevé vers l'avant du réfrigérateur.

Problème	Causes possibles	Solutions
<p>La température est trop chaude ou de l'humidité s'était accumulée à l'intérieur.</p>	<p>Les ouvertures d'aération sont bloquées. L'air froid circule du congélateur à la section produits frais, puis revient par les ouvertures d'aération dans la paroi divisant les deux sections.</p>	<p>Localisez les ouvertures d'aération en détectant avec votre main le flux d'air et déplacez tous les objets qui obstruent les ouvertures et restreignent la circulation d'air. (Voir le schéma de circulation d'air ci-dessous.)</p> 
	<p>Les portes sont souvent ouvertes.</p>	<p>L'ouverture de la porte fait perdre du froid au réfrigérateur, ce qui oblige le compresseur à fonctionner plus longtemps pour refroidir de nouveau le réfrigérateur. Pour économiser de l'énergie, essayez de prendre tout ce qu'il vous faut dans le réfrigérateur en une seule fois, de bien ranger les aliments pour les trouver rapidement et de fermer la porte dès que vous avez récupéré l'aliment souhaité.</p>
	<p>Le contrôle n'est pas correctement réglé pour les conditions ambiantes.</p>	<p>Reportez-vous à la section Réglage des contrôles. Attendez 24 heures la stabilisation ou l'égalisation des températures. Si la température est trop basse ou trop élevée, changez le réglage un incrément à la fois. Reportez-vous à la section Ajustement des réglages de contrôle.</p>
	<p>Une grande quantité d'aliments a été ajoutée au réfrigérateur ou au congélateur.</p>	<p>L'ajout d'aliments réchauffe le réfrigérateur. Il faut quelques heures au réfrigérateur pour revenir à la température normale.</p>
	<p>La nourriture n'est pas correctement emballée.</p>	<p>Enveloppez hermétiquement la nourriture et essayez les contenants humides avant de stocker les aliments dans le réfrigérateur pour éviter l'accumulation d'humidité. Si nécessaire, remballer la nourriture conformément aux directives de la section Guide de stockage des aliments.</p>
	<p>Les portes ne se ferment pas complètement.</p>	<p>Reportez-vous à « Les portes ne se ferment pas complètement » dans la section Dépannage.</p>
	<p>Le temps est humide.</p>	<p>Par temps humide, l'air transfère de l'humidité dans le réfrigérateur lorsque les portes sont ouvertes. Une forte humidité dans les compartiments congélateur et réfrigérateur peut créer du givre ou de la condensation.</p>
	<p>Un cycle de dégivrage automatique a été effectué.</p>	<p>Il est normal que des gouttelettes se forment sur la paroi arrière intérieure après le dégivrage automatique du réfrigérateur.</p>

Kenmore Connect™ (certains modèles uniquement)

Si vous rencontrez un problème avec votre réfrigérateur, vous pouvez transmettre des informations via votre téléphone en contactant l'équipe Kenmore Connect™.

Vous pourrez ainsi parler directement à l'un de nos techniciens. Le technicien enregistre les informations transmises par votre réfrigérateur et s'en sert pour analyser le problème, offrant un diagnostic rapide et efficace.

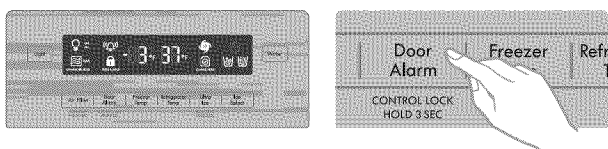
Si vous rencontrez des problèmes avec votre réfrigérateur, appelez le 1-800-4MY-HOME (1-800-469-4663). N'utilisez la fonction Kenmore Connect™ que si l'agent de l'équipe Kenmore Connect™ vous le demande. Les bruits de transmission que vous entendrez sont normaux et ressemblent à ceux émis par un fax.

La fonction Kenmore Connect™ ne peut être activée que si votre réfrigérateur est sous tension. S'il est impossible de mettre en marche votre réfrigérateur, le dépannage devra se faire sans la fonction Kenmore Connect™.

Utilisation de la fonction Kenmore Connect™

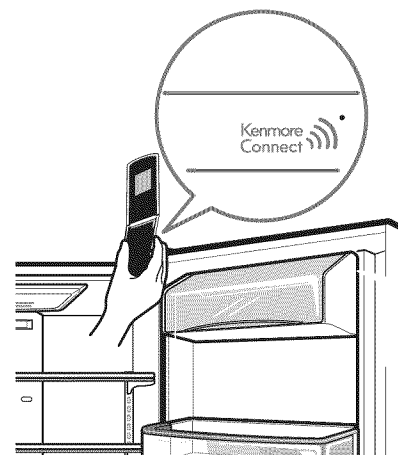
Tout d'abord, appelez le 1-800-4MY-HOME (1-800-469-4663). Si le numéro de téléphone que vous utilisez est enregistré et associé à votre réfrigérateur, vous serez rapidement mis en relation avec un agent de l'équipe Kenmore Connect™. N'utilisez la fonction Kenmore Connect™ que si l'agent de l'équipe Kenmore Connect™ vous le demande.

1. Verrouillez l'affiche. Pour verrouiller l'affiche, maintenez enfoncé le bouton Door Alarm pendant environ trois secondes. (Si l'afficheur est déjà verrouillé, vous devez désactiver le verrou, puis le réactiver.)

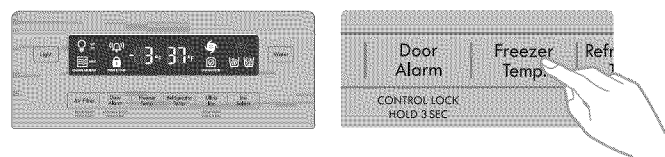


2. Ouvrez la porte droite du réfrigérateur.

3. Lorsque l'agent du centre d'appels vous le demande, maintenez le micro de votre téléphone devant le haut-parleur situé sur la charnière droite de la porte du réfrigérateur.



4. Maintenez enfoncée la touche de température du congélateur pendant trois secondes tout en maintenant votre téléphone près du haut-parleur.



5. Relâchez-la dès que vous aurez entendu trois signaux sonores.
6. Maintenez le téléphone en place jusqu'à la fin de la transmission sonore. Le temps restant est décompté dans l'afficheur. Une fois le compte à rebours et la transmission sonore terminés, reprenez votre conversation avec le technicien qui pourra alors vous aider à utiliser les informations fournies pour l'analyse.

• REMARQUE:

- Pour des résultats optimaux, ne déplacez pas le téléphone pendant la transmission des signaux sonores.
- Si l'agent du centre d'appels n'est pas en mesure d'obtenir un enregistrement précis des données, il est possible qu'il vous demande de réessayer.

Get it fixed, at your home or ours!

Your Home

For troubleshooting, product manuals and expert advice:



www.managemylife.com

For repair – **in your home** – of **all** major brand appliances, lawn and garden equipment, or heating and cooling systems, **no matter who made it, no matter who sold it!**

For the replacement parts, accessories and owner's manuals that you need to do-it-yourself.

For Sears professional installation of home appliances and items like garage door openers and water heaters.

1-800-4-MY-HOME[®] (1-800-469-4663)

Call anytime, day or night (U.S.A. and Canada)

www.sears.com www.sears.ca

Our Home

For repair of carry-in items like vacuums, lawn equipment, and electronics, call anytime for the location of your nearest

Sears Parts & Repair Service Center

1-800-488-1222 (U.S.A.) **1-800-469-4663** (Canada)

www.sears.com www.sears.ca

To purchase a protection agreement on a product serviced by Sears:

1-800-827-6655 (U.S.A.) **1-800-361-6665** (Canada)

Para pedir servicio de reparación a domicilio, y para ordenar piezas:

1-888-SU-HOGAR[®]

(1-888-784-6427)

www.sears.com

Au Canada pour service en français:

1-800-LE-FOYER^{MC}

(1-800-533-6937)

www.sears.ca

The Sears logo, consisting of the word "sears" in a lowercase, serif font.

® Registered Trademark / TM Trademark of KCD IP, LLC in the United States, or Sears Brands, LLC in other countries

© Marca Registrada / TM Marca de Fábrica de KCD IP, LLC en Estados Unidos, o Sears Brands, LLC in otros países

^{MC} Marque de commerce / ^{MD} Marque déposée de Sears Brands, LLC