

# Owner's Manual/Manual Del Propietario

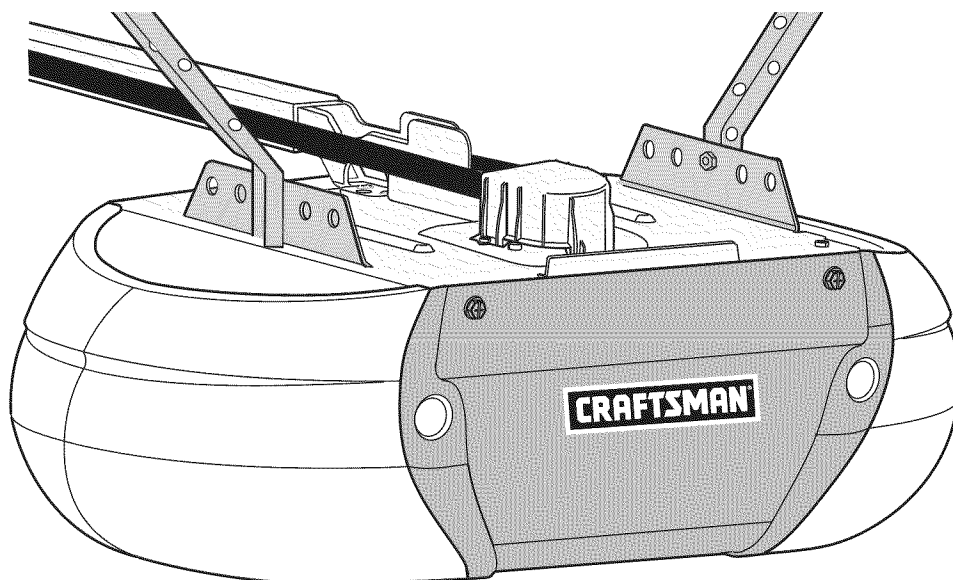


## assurelink

**GARAGE DOOR OPENER WITH AssureLink™ CONNECTIVITY**  
**ABRIDOR DE PUERTA DE COCHERA CON CONECTIVO AssureLink™**

**For Residential Use Only/Sólo para uso residencial**

**MODEL/MODELO 139.54915**



ENGLISH ESPAÑOL

**Read and follow all safety rules and operating instructions before first use of this product.**

**Fasten the manual near the garage door after installation.**

**Periodic checks of the opener are required to ensure safe operation.**

**DO NOT enable the Timer-to-Close feature if you are installing the garage door opener on a one-piece door. The Timer-to-Close is to be used ONLY with sectional doors.**

**Leer y seguir todas las reglas de seguridad y las instrucciones de operación antes de usar este producto por primera vez.**

**Guardar este manual cerca de la puerta de la cochera.**

**Se deben realizar revisiones periódicas del abridor de puertas para asegurar su operación segura.**

**NO use el característica Temporizador para cierra se el abridor de la puerta es instalado en un puerta de un sola pieza. El característica temporizador para cierra es SOLÓ para uso con puertas seccionales.**



Sears Brands Management Corporation, Hoffman Estates, IL 60179 U.S.A

[www.craftsman.com](http://www.craftsman.com)

# TABLE OF CONTENTS

<b>Introduction</b>	<b>2-7</b>	<b>Adjustment</b>	<b>28-30</b>
Safety symbol review and signal word review	2	Introduction	28
Preparing your garage door	3	Program the travel	29
Tools needed	3	Test the safety reversal system	30
Planning	4-5	Test The Protector System®	30
Carton inventory	6	<b>Operation</b>	<b>31-35</b>
Hardware inventory	7	Operation safety instructions	31
<b>Assembly</b>	<b>8-11</b>	Features	31-32
Assemble the rail and install the trolley	8	Door control	32
Fasten the rail to the motor unit	8	Motion-detecting control panel setup	33
Install the idler pulley	9	Programming	34
Install the belt	10	To erase the memory	34
Tighten the belt	10	To open the door manually	35
Install the sprocket cover	11	Care of your opener	35
<b>Installation</b>	<b>11-27</b>	<b>Troubleshooting</b>	<b>36-37</b>
Installation safety instructions	11	<b>Repair Parts</b>	<b>38-39</b>
Determine the header bracket location	12	Rail assembly parts	38
Install the header bracket	13	Installation parts	38
Attach the rail to the header bracket	14	Motor unit assembly parts	39
Position the opener	15	<b>Accessories</b>	<b>40</b>
Hang the opener	16	<b>Warranty</b>	<b>40</b>
Install the lights	17	<b>Notes</b>	<b>41</b>
Attach the emergency release rope and handle	17	<b>Repair Parts and Service</b>	<b>Back Cover</b>
Fasten the door bracket	18-19		
Connect door arm to trolley	20-21		
Attach the warning labels	21		
Install the door control	22		
Install The Protector System®	23-25		
Electrical requirements	26		
Aligning the safety reversing sensors	27		

## INTRODUCTION

### Safety Symbol Review and Signal Word Review

This garage door opener has been designed and tested to offer safe service provided it is installed, operated, maintained and tested in strict accordance with the instructions and warnings contained in this manual.



**WARNING**

**Mechanical**



**WARNING**

**Electrical**



**CAUTION**

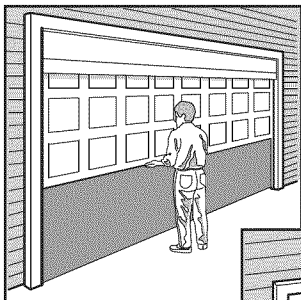
When you see these Safety Symbols and Signal Words on the following pages, they will alert you to the possibility of **serious injury or death** if you do not comply with the warnings that accompany them. The hazard may come from something mechanical or from electric shock. Read the warnings carefully.

When you see this Signal Word on the following pages, it will alert you to the possibility of damage to your garage door and/or the garage door opener if you do not comply with the cautionary statements that accompany it. Read them carefully.

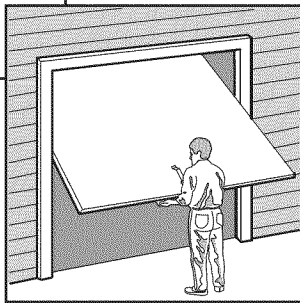
## Preparing your garage door

Before you begin:

1. Disable locks and remove any ropes connected to the garage door.
2. Lift the door halfway up. Release the door. If balanced, it should stay in place, supported entirely by its springs.
3. Raise and lower the door to check for binding or sticking. If your door binds, sticks, or is out of balance, call a trained door systems technician.
4. Check the seal on the bottom of the door. Any gap between the floor and the bottom of the door must not exceed 1/4 inch (6 mm). Otherwise, the safety reversal system may not work properly.
5. The opener should be installed above the center of the door. If there is a torsion spring or center bearing plate in the way of the header bracket, it may be installed within 4 feet (1.2 m) to the left or right of the door center. See page 12.



Sectional Door



One-Piece Door

## WARNING

To prevent possible **SERIOUS INJURY** or **DEATH**:

- ALWAYS call a trained door systems technician if garage door binds, sticks, or is out of balance. An unbalanced garage door may NOT reverse when required.
- NEVER try to loosen, move or adjust garage door, door springs, cables, pulleys, brackets or their hardware, ALL of which are under **EXTREME** tension.
- Disable ALL locks and remove ALL ropes connected to garage door **BEFORE** installation and operating garage door opener to avoid entanglement.

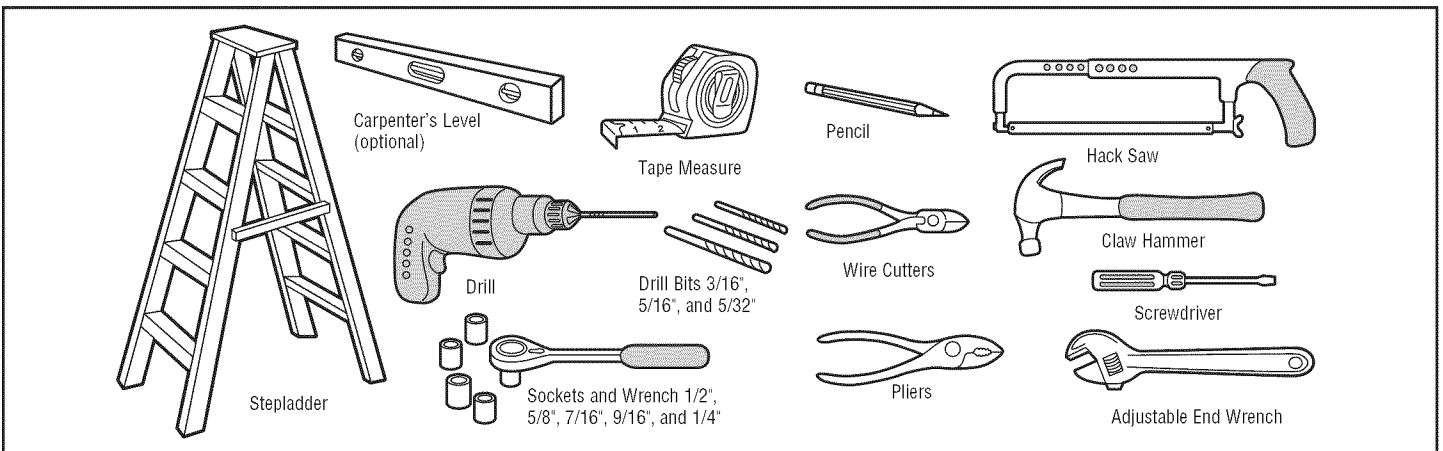
## CAUTION

To prevent damage to garage door and opener:

- ALWAYS disable locks **BEFORE** installing and operating the opener.
- ONLY operate garage door opener at 120 V, 60 Hz to avoid malfunction and damage.

## Tools needed

During assembly, installation and adjustment of the opener, instructions will call for hand tools as illustrated below.



## Planning

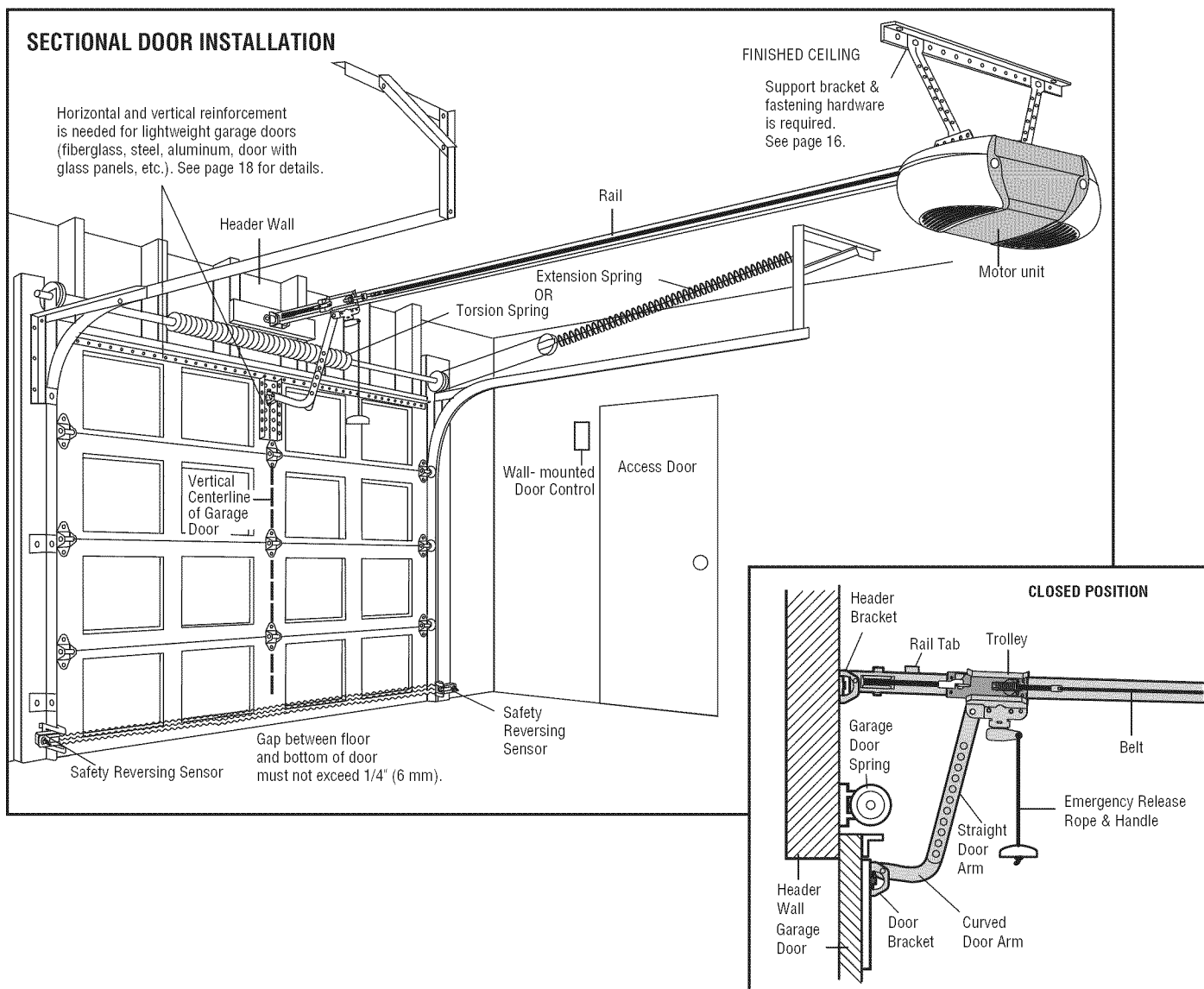
Identify the type and height of your garage door. Survey your garage area to see if any of the conditions below apply to your installation. Additional materials may be required. You may find it helpful to refer back to this page and the accompanying illustrations as you proceed with the installation of your opener. Depending on your requirements, there are several installation steps which may call for materials or hardware not included in the carton.

- Installation Step 1 – Look at the wall or ceiling above the garage door. The header bracket must be securely fastened to structural supports.
- Installation Step 5 – Do you have a finished ceiling in your garage? If so, a support bracket and additional fastening hardware may be required.
- Installation Step 12 – Depending upon garage construction, extension brackets or wood blocks may be needed to install sensors.
- Installation Step 12 – Alternate floor mounting of the safety reversing sensor will require hardware not provided.

- Do you have an access door in addition to the garage door? If not, Model 139.53702 Emergency Key Release is required. See Accessories page.
- Look at the garage door where it meets the floor. Any gap between the floor and the bottom of the door must not exceed 1/4" (6 mm). Otherwise, the safety reversal system may not work properly. See Adjustment Step 2. Floor or door should be repaired.

## SECTIONAL DOOR INSTALLATION

- Do you have a steel, aluminum, fiberglass or glass panel door? If so, horizontal and vertical reinforcement is required (Installation Step 8).
- The opener should be installed above the center of the door. If there is a torsion spring or center bearing plate in the way of the header bracket, it may be installed within 4 feet (1.22 m) to the left or right of the door center. See Installation Steps 1 and 8.
- If your door is more than 7 feet (2.13 m) high, see rail extension kits listed on Accessories page.



**Planning (Continued)**

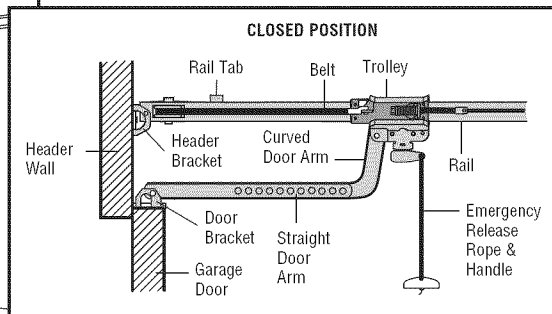
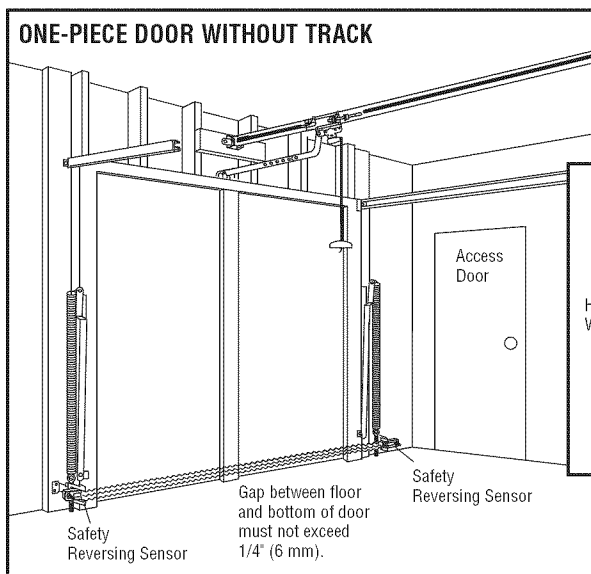
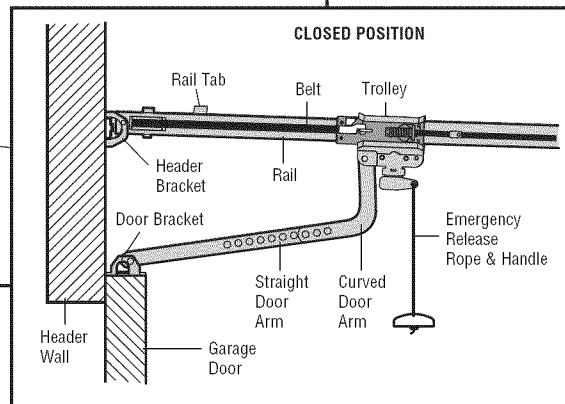
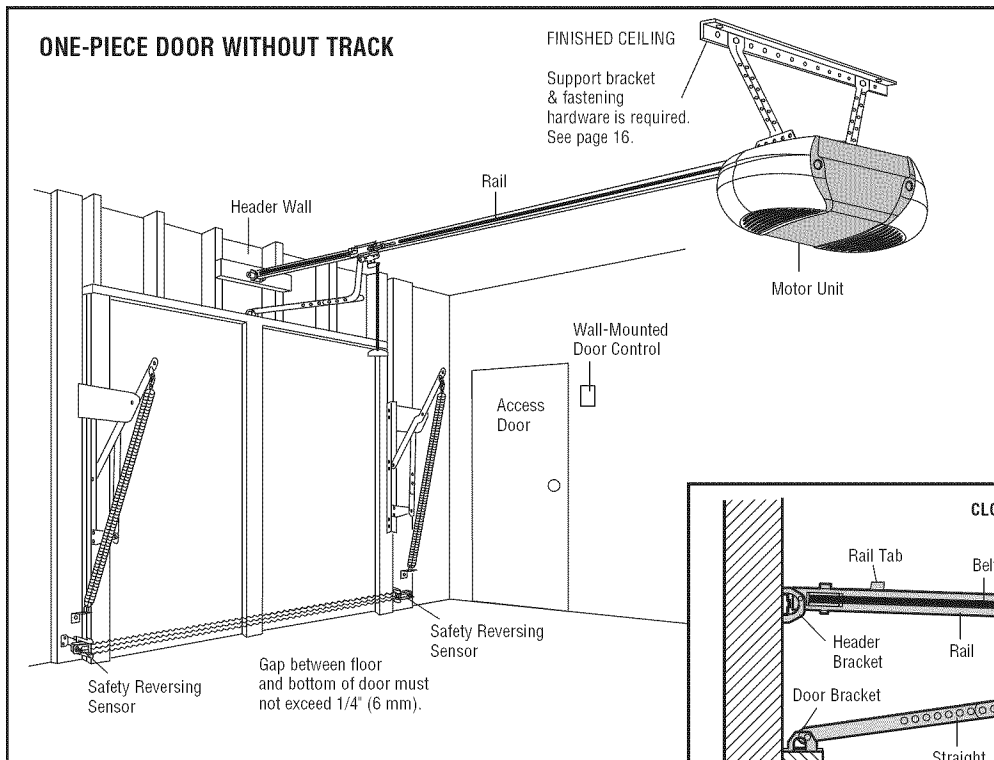
**ONE-PIECE DOOR INSTALLATIONS**

- Generally, a one-piece door does not require reinforcement. If your door is lightweight, refer to the information relating to sectional doors in Installation Step 8.
- Depending on your door's construction, you may need additional mounting hardware for the door bracket (Step 8).

**⚠ WARNING**

Without a properly working safety reversal system, persons (particularly small children) could be **SERIOUSLY INJURED** or **KILLED** by a closing garage door.

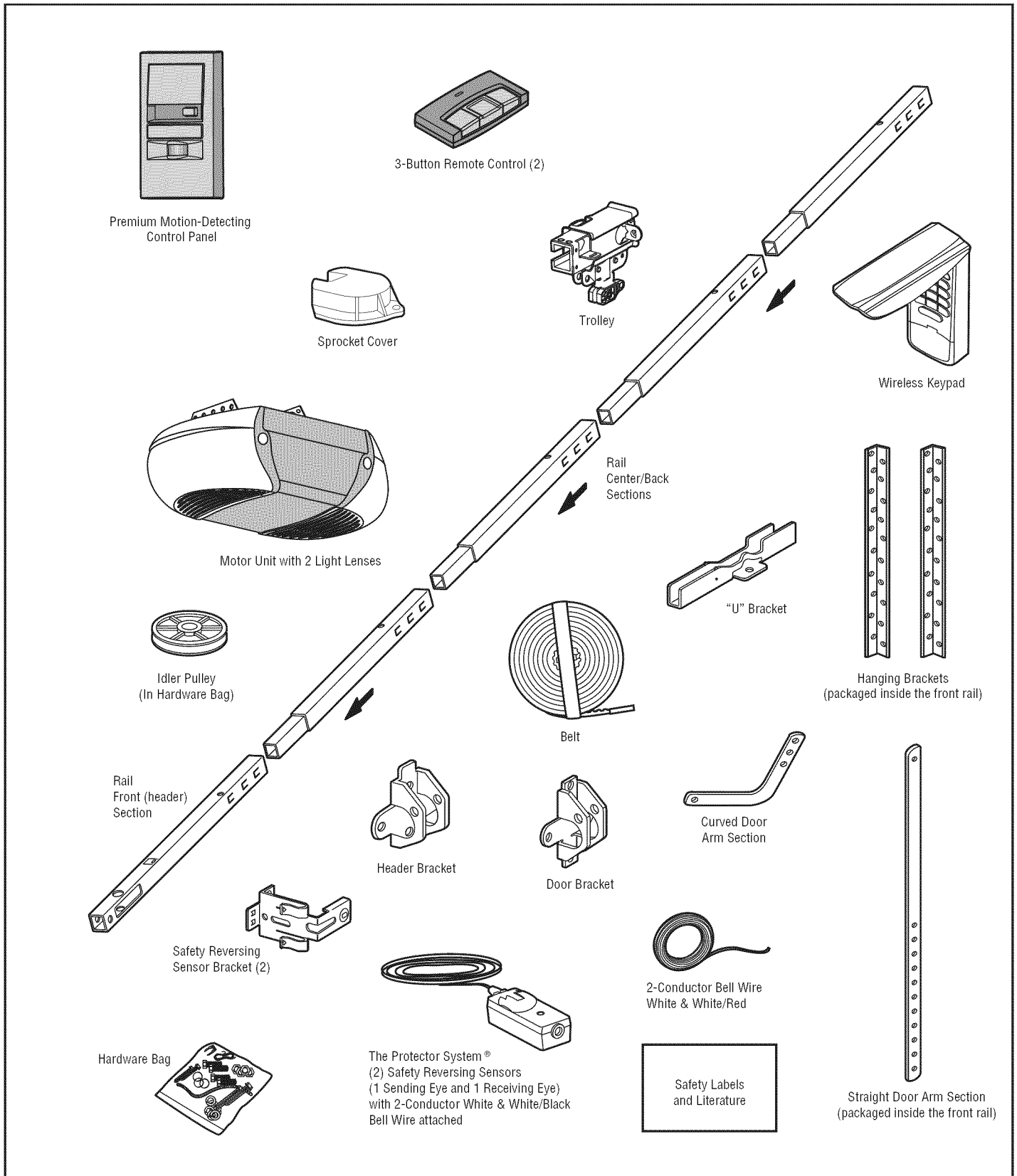
- The gap between the bottom of the garage door and the floor **MUST NOT** exceed 1/4" (6 mm). Otherwise, the safety reversal system may **NOT** work properly.
- The floor or the garage door **MUST** be repaired to eliminate the gap.



## Carton Inventory

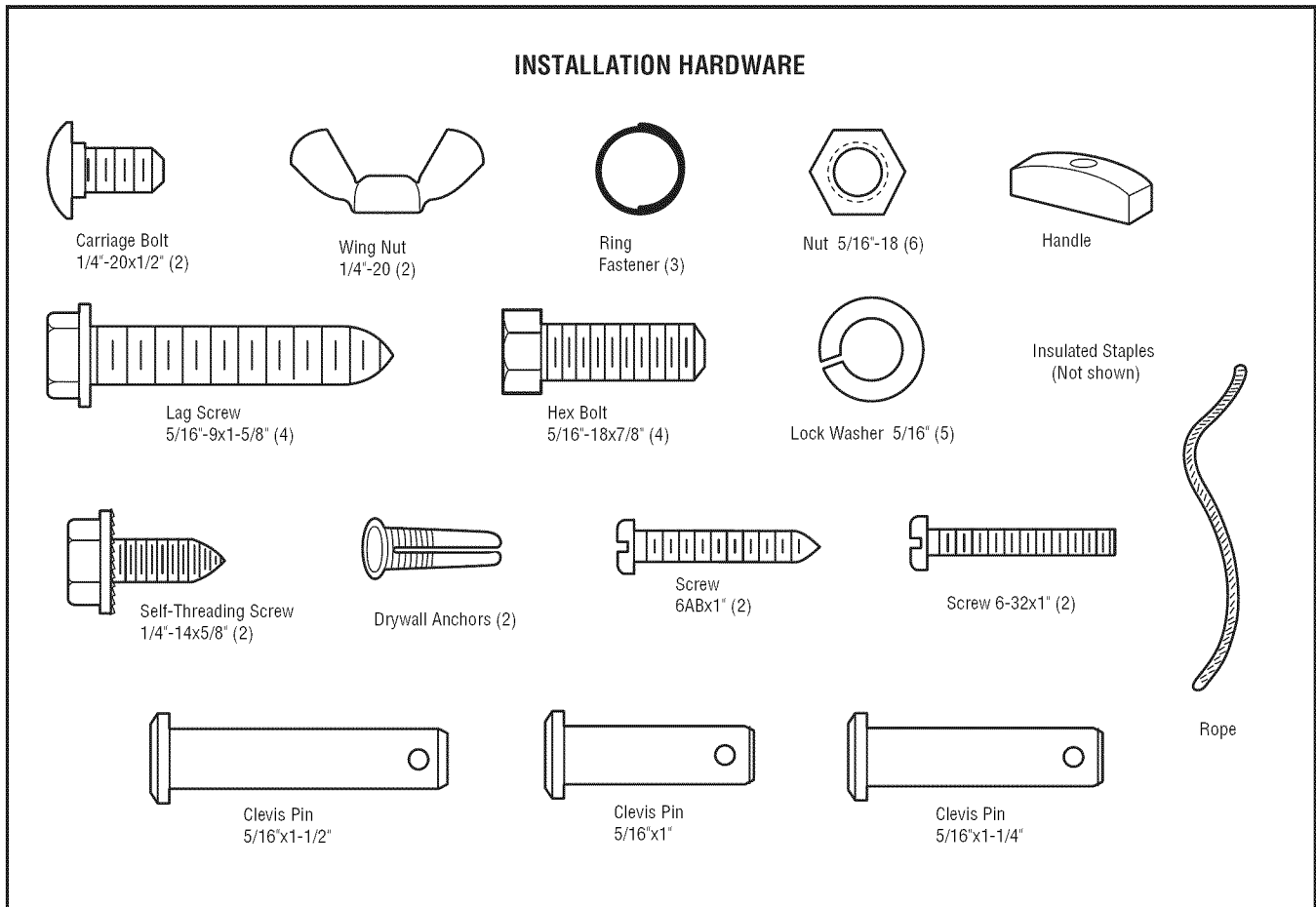
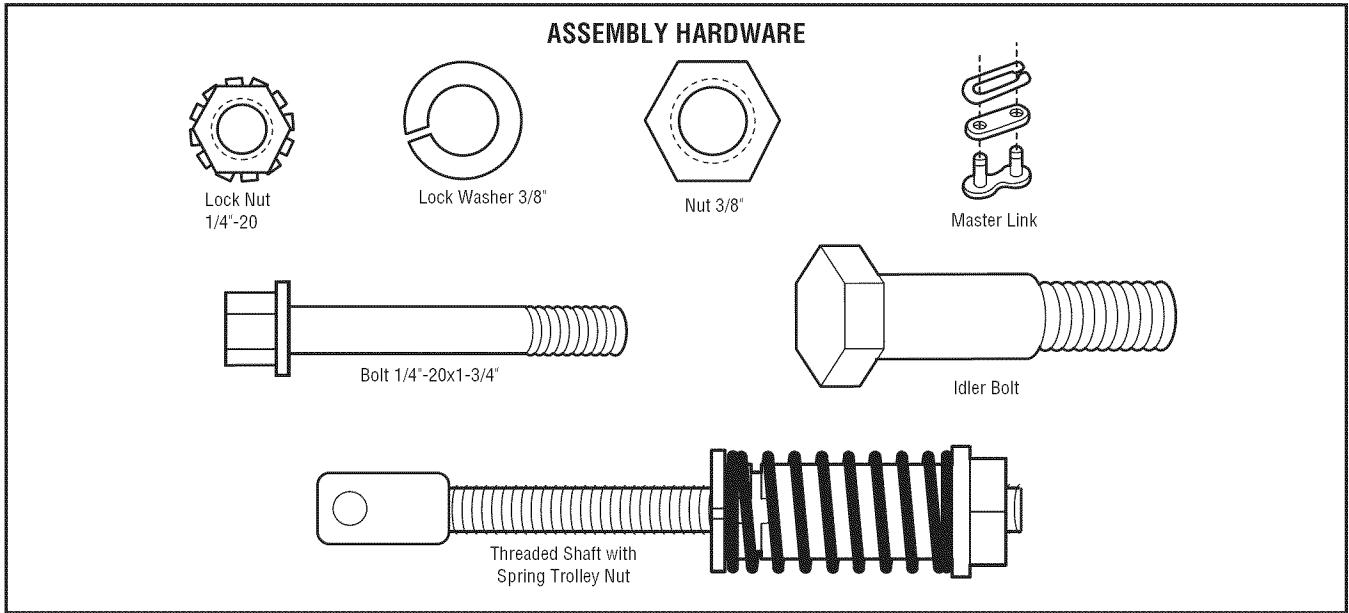
Your garage door opener is packaged in one carton which contains the motor unit and all parts illustrated below. Accessories will depend on the model purchased. If anything is missing, carefully check the packing material.

Hardware for assembly and installation is shown on the next page. Save the carton and packing material until installation and adjustment is complete.



## Hardware Inventory

Separate all hardware and group as shown below for the assembly and installation procedures.



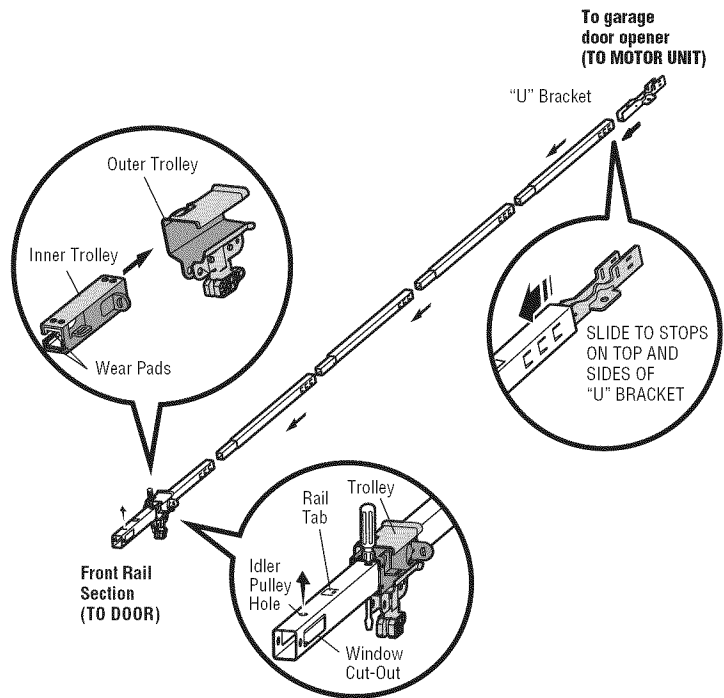
## ASSEMBLY STEP 1

### Assemble the Rail and Install the Trolley

To avoid installation difficulties, do not run the garage door opener until instructed to do so.

The front rail has a cut out "window" at the door end. The front rail has a rail tab. This tab **MUST** be on the top of the rail when assembled.

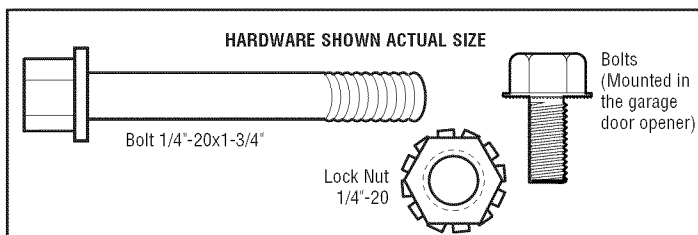
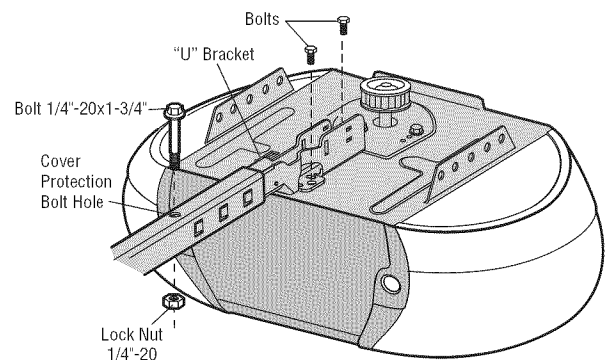
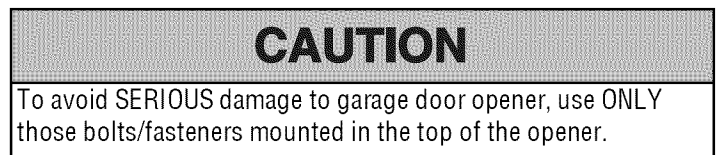
1. Remove the straight door arm and hanging bracket packaged inside the front rail and set aside for Installation Step 5 and 9. **NOTE:** To prevent **INJURY** while unpacking the rail carefully remove the straight door arm stored within the rail section.
2. Align the rail sections on a flat surface as shown and slide the tapered ends into the larger ones. Tabs along the side will lock into place.
3. Place the motor unit on packing material to protect the cover, and rest the back end of the rail on top. For convenience, put a support under the front end of the rail.
4. As a temporary stop, insert a screwdriver into the hole 10" (25 cm) from the front end of the rail, as shown.
5. Check to be sure there are 4 plastic wear pads inside the inner trolley. If they became loose during shipping, check all packing material. Snap them back into position as shown.
6. Slide the trolley assembly along the rail from the back end to the screwdriver.
7. Slide the rail onto the "U" bracket, until it reaches all the stops on the top and sides of the "U" bracket.



## ASSEMBLY STEP 2

### Fasten the Rail to the Motor Unit

1. Insert a 1/4"-20x1-3/4" bolt into the cover protection bolt hole on the back end of the rail as shown. Tighten securely with a 1/4"-20 lock nut. **DO NOT** overtighten.
2. Remove the bolts from the top of the motor unit.
3. Use the carton to support the front end of the rail.
4. Place the "U" bracket, flat side down onto the motor unit and align the bracket holes with the bolt holes.
5. Fasten the "U" bracket with the previously removed bolts; **DO NOT** use any power tools. The use of power tools may permanently damage the garage door opener.

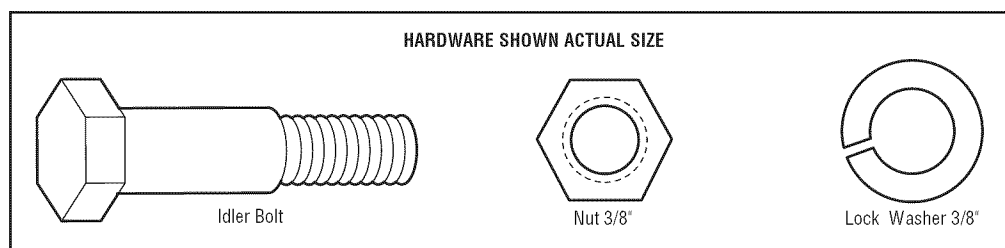
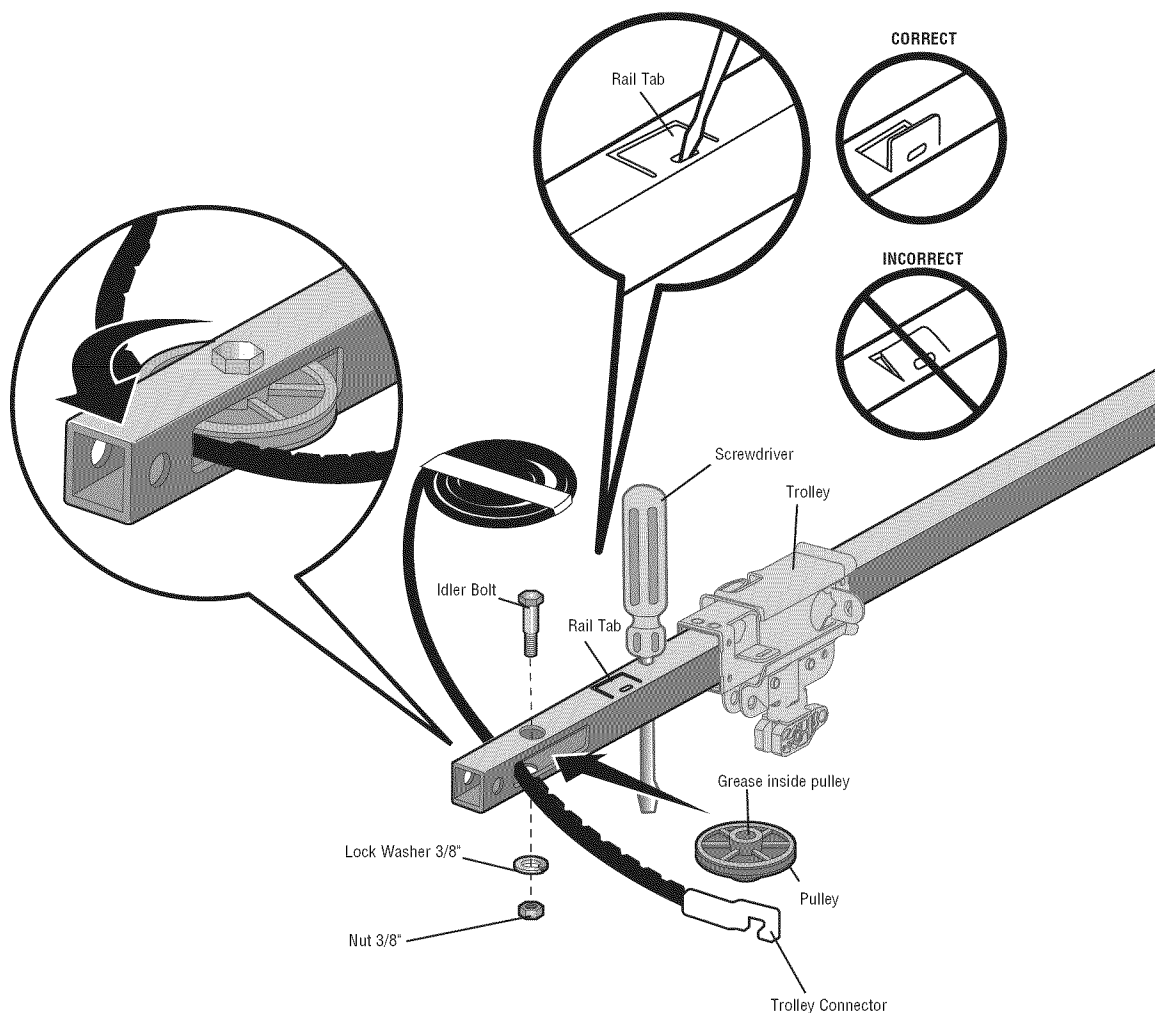




## ASSEMBLY STEP 3

### Install the Idler Pulley

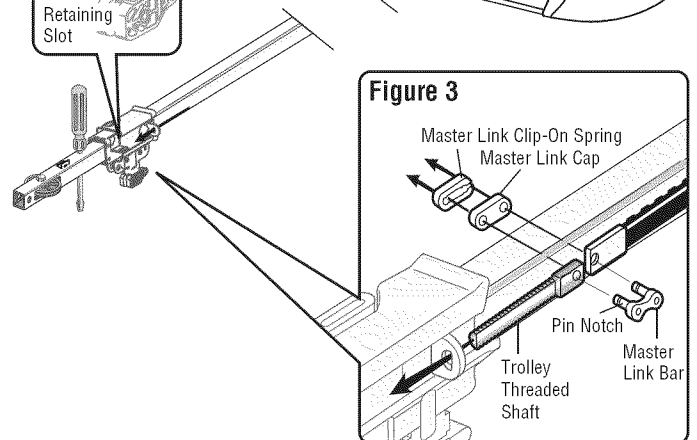
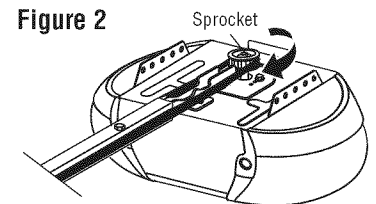
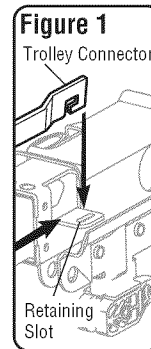
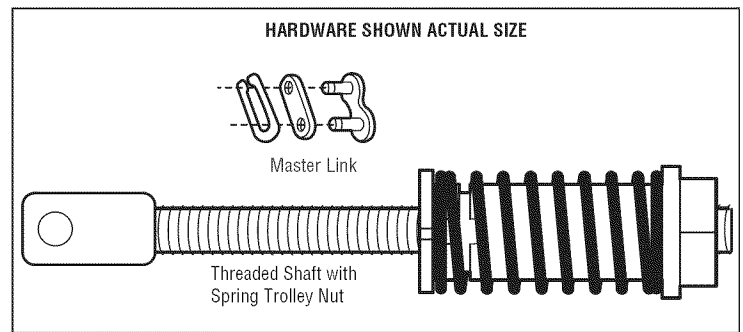
1. Lay the belt beside the rail, as shown. Grasp the end with the hooked trolley connector and pass approximately 12" (30 cm) of belt through the window. Keep the ribbed side toward the rail, and allow it to hang until Assembly Step 4.
2. Remove the tape from the idler pulley. The inside center should be pre-greased. If dry, regrease to ensure proper operation.
3. Place the idler pulley into the window as shown.
4. Insert the idler bolt from the top through the rail and pulley. Tighten with a 3/8" lock washer and nut underneath the rail until the lock washer is compressed.
5. Rotate the pulley to be sure it spins freely.
6. Locate the rail tab. The rail tab is between the idler bolt and the trolley in the front rail section. Use a flathead screwdriver and lift the rail tab until the tab is vertical (90°).



## ASSEMBLY STEP 4

### Install the Belt

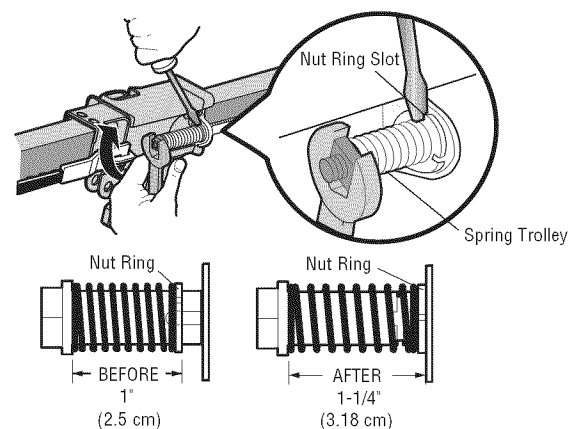
1. Pull the belt around the idler pulley and toward the trolley. The ribbed side must contact the pulley.
2. Hook the trolley connector into the retaining slot on the trolley as shown (Figure 1).
3. With the trolley against the screwdriver, dispense the remainder of the belt along the rail length toward the motor unit and around the sprocket (Figure 2). The sprocket teeth must engage the belt.
4. Check to make sure the belt is not twisted. Connect the trolley threaded shaft with the master link (Figure 3).
  - Push pins of master link bar through holes in end of belt and trolley threaded shaft.
  - Push master link cap over pins and past pin notches.
  - Slide clip-on spring over cap and onto pin notches until both pins are securely locked in place.
5. Remove the spring trolley nut from the threaded shaft.
6. Insert the trolley threaded shaft through the hole in the trolley.



## ASSEMBLY STEP 5

### Tighten the Belt

1. By hand, thread the spring trolley nut on the threaded shaft until it is finger tight against the trolley. Do not use any tools. Remove the screwdriver.
2. Insert a flathead screwdriver tip into one of the nut ring slots and brace it firmly against the trolley.
3. Tighten the spring trolley nut with an adjustable wrench or a 7/16" open end wrench about a quarter turn until the spring releases and snaps the nut ring against the trolley. This sets the spring to optimum belt tension.



## ASSEMBLY STEP 6

### Install the Sprocket Cover

1. Position the sprocket cover over the sprocket as shown and fasten to the mounting plate with 8x3/8" hex screws provided.

You have now finished assembling your garage door opener. Please read the following warnings before proceeding to the installation section.

#### HARDWARE SHOWN ACTUAL SIZE

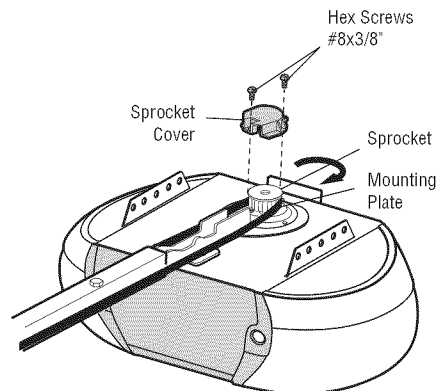


Hex Screw #8x3/8"  
(Packed with the sprocket cover)

## ⚠ WARNING

To avoid possible **SERIOUS INJURY** to finger from moving garage door opener:

- ALWAYS keep hand clear of sprocket while operating opener.
- Securely attach sprocket cover **BEFORE** operating.



## INSTALLATION

### IMPORTANT INSTALLATION INSTRUCTIONS

## ⚠ ⚠ WARNING

### To reduce the risk of **SEVERE INJURY** or **DEATH**:

1. READ AND FOLLOW ALL INSTALLATION WARNINGS AND INSTRUCTIONS.
2. Install garage door opener **ONLY** on properly balanced and lubricated garage door. An improperly balanced door may **NOT** reverse when required and could result in **SEVERE INJURY** or **DEATH**.
3. ALL repairs to cables, spring assemblies and other hardware **MUST** be made by a trained door systems technician **BEFORE** installing opener.
4. Disable ALL locks and remove ALL ropes connected to garage door **BEFORE** installing opener to avoid entanglement.
5. Install garage door opener 7 feet (2.13 m) or more above floor.
6. Mount the emergency release within reach, but at least 6 feet (1.83 m) above the floor and avoiding contact with vehicles to avoid accidental release.
7. **NEVER** connect garage door opener to power source until instructed to do so.
8. **NEVER** wear watches, rings or loose clothing while installing or servicing opener. They could be caught in garage door or opener mechanisms.
9. Install wall-mounted garage door control:
  - within sight of the garage door.
  - out of reach of children at minimum height of 5 feet (1.5 m).
  - away from ALL moving parts of the door.
10. Place entrapment warning label on wall next to garage door control.
11. Place manual release/safety reverse test label in plain view on inside of garage door.
12. Upon completion of installation, test safety reversal system. Door **MUST** reverse on contact with a 1-1/2" (3.8 cm) high object (or a 2x4 laid flat) on the floor.
13. To avoid **SERIOUS PERSONAL INJURY** or **DEATH** from electrocution, disconnect ALL electric and battery power **BEFORE** performing ANY service or maintenance.
14. **DO NOT** enable the Timer-to-Close functionality if operating either one-piece or swinging garage doors. To be enabled **ONLY** when operating a sectional door.

# INSTALLATION STEP 1

## Determine the Header Bracket Location

### WARNING

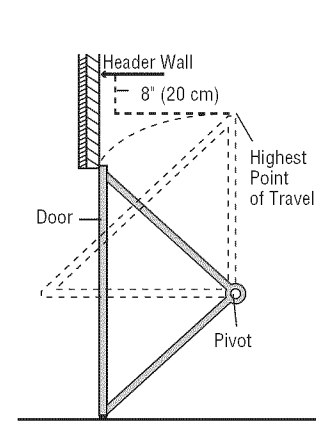
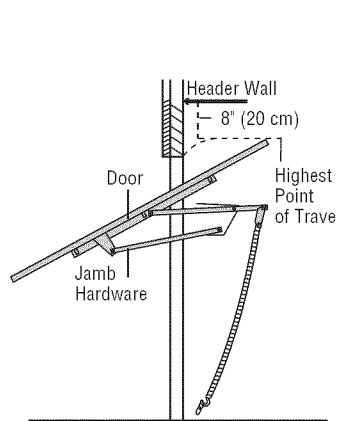
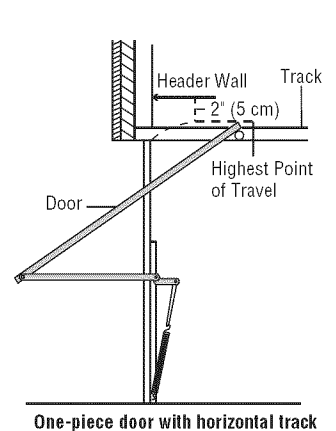
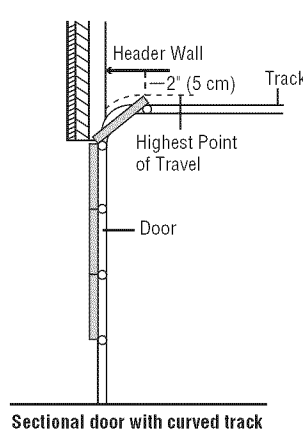
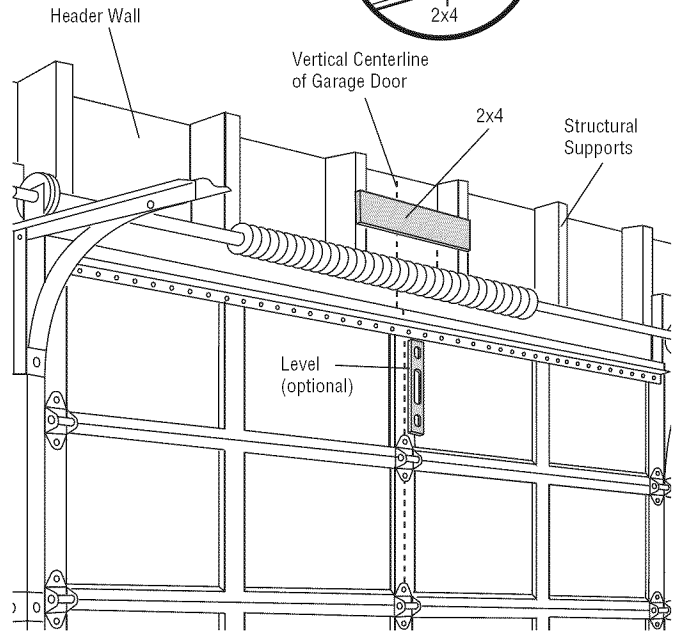
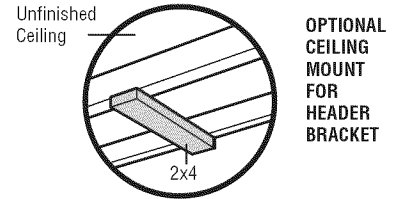
To prevent possible SERIOUS INJURY or DEATH:

- Header bracket **MUST** be RIGIDLY fastened to structural support on header wall or ceiling, otherwise garage door might NOT reverse when required. **DO NOT** install header bracket over drywall.
- Concrete anchors **MUST** be used if mounting header bracket or 2x4 into masonry.
- NEVER try to loosen, move or adjust garage door, springs, cables, pulleys, brackets, or their hardware, ALL of which are under EXTREME tension.
- ALWAYS call a trained door systems technician if garage door binds, sticks, or is out of balance. An unbalanced garage door might NOT reverse when required.

Installation procedures vary according to garage door types. Follow the instructions which apply to your door.

1. Close the door and mark the inside vertical centerline of the garage door.
2. Extend the line onto the header wall above the door. **You can fasten the header bracket within 4 feet (1.22 m) of the left or right of the door center only if a torsion spring or center bearing plate is in the way; or you can attach it to the ceiling (see page 13) when clearance is minimal. (It may be mounted on the wall upside down if necessary, to gain approximately 1/2" (1 cm).** If you need to install the header bracket on a 2x4 (on wall or ceiling), use lag screws (not provided) to securely fasten the 2x4 to structural supports as shown here and on page 13.
3. Open your door to the highest point of travel as shown. Draw an intersecting horizontal line on the header wall above the high point :
  - 2" (5 cm) above the high point for sectional door and one-piece door with track.
  - 8" (20 cm) above the high point for one-piece door without track.

This height will provide travel clearance for the top edge of the door. **NOTE:** If the total number of inches exceeds the height available in your garage, use the maximum height possible, or refer to page 13 for ceiling installation.



## INSTALLATION STEP 2

### Install the Header Bracket

You can attach the header bracket either to the wall above the garage door, or to the ceiling. Follow the instructions which will work best for your particular requirements. **Do not install the header bracket over drywall. If installing into masonry, use concrete anchors (not provided).**

#### WALL HEADER BRACKET INSTALLATION

1. Center the bracket on the vertical centerline with the bottom edge of the bracket on the horizontal line as shown (with the arrow pointing toward the ceiling).
2. Mark the vertical set of bracket holes. Drill  $3/16$ " pilot holes and fasten the bracket securely to a structural support with the hardware provided.

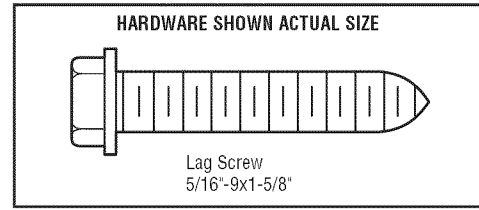
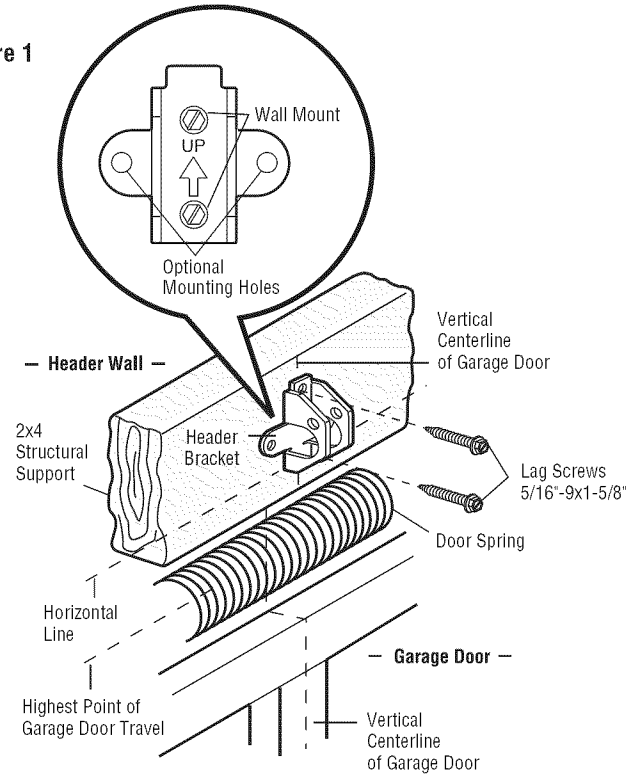


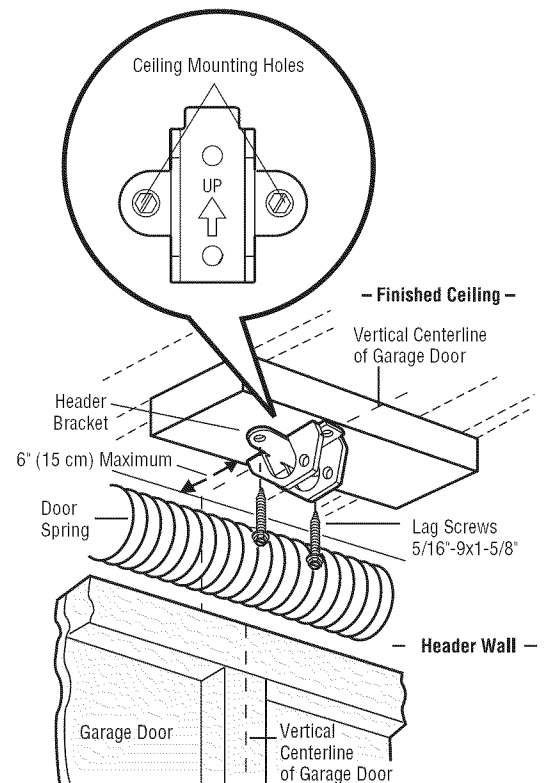
Figure 1



#### CEILING HEADER BRACKET INSTALLATION

1. Extend the vertical centerline onto the ceiling as shown.
2. Center the bracket on the vertical mark, no more than 6" (15 cm) from the wall. Make sure the arrow is pointing away from the wall. The bracket can be mounted flush against the ceiling when clearance is minimal.
3. Mark the side holes. Drill  $3/16$ " pilot holes and fasten bracket securely to a structural support with the hardware provided.

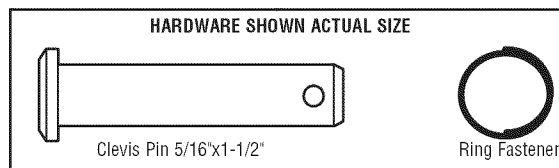
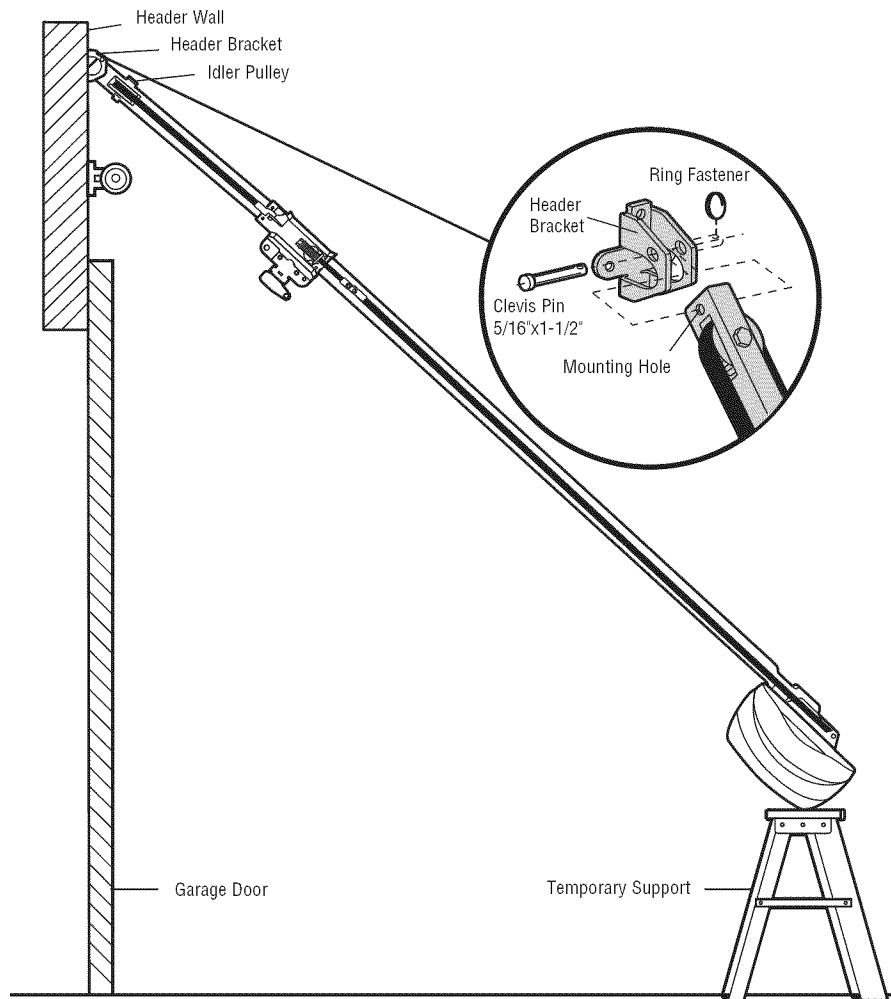
Figure 2



### INSTALLATION STEP 3

#### *Attach the Rail to the Header Bracket*

1. Position the opener on the garage floor below the header bracket. Use packing material as a protective base.  
**NOTE:** *If the door spring is in the way, you will need help. Have someone hold the opener securely on a temporary support to allow the rail to clear the spring.*
2. Position the rail bracket against the header bracket.
3. Align the bracket holes and join with a clevis pin as shown.
4. Insert a ring fastener to secure.



## INSTALLATION STEP 4

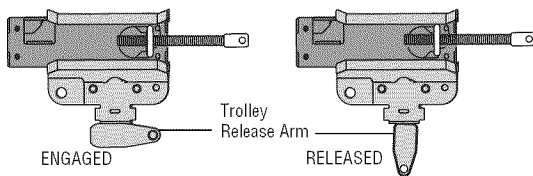
### Position the Opener

Follow instructions which apply to your door type as illustrated.

#### SECTIONAL DOOR OR ONE-PIECE DOOR WITH TRACK

A 2x4 laid flat is convenient for setting an ideal door-to-rail distance.

1. Raise the opener onto a stepladder. You will need help at this point if the ladder is not tall enough.
2. Open the door all the way and place a 2x4 laid flat on the top section beneath the rail (Figure 1).
3. If the top section or panel hits the trolley when you raise the door, pull down on the trolley release arm to disconnect inner and outer sections. Slide the outer trolley toward the motor unit. The trolley can remain disconnected until Installation Step 12 is completed.



#### ONE-PIECE DOOR WITHOUT TRACK

A 2x4 on its side is convenient for setting an ideal door-to-rail distance.

1. Raise the opener onto a stepladder. You will need help at this point if the ladder is not tall enough.
2. Open the door all the way and place a 2x4 on its side on the top section of the door beneath the rail (Figure 2).
3. The top of the door should be level with the top of the motor unit. Do not position the opener more than 4" (10 cm) above this point.

## CAUTION

To prevent damage to garage door, rest garage door opener rail on 2x4 placed on top section of door.

Figure 1

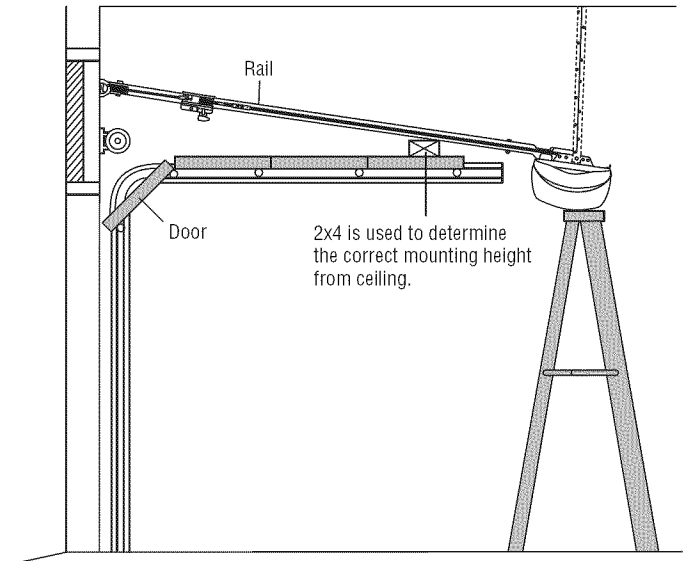
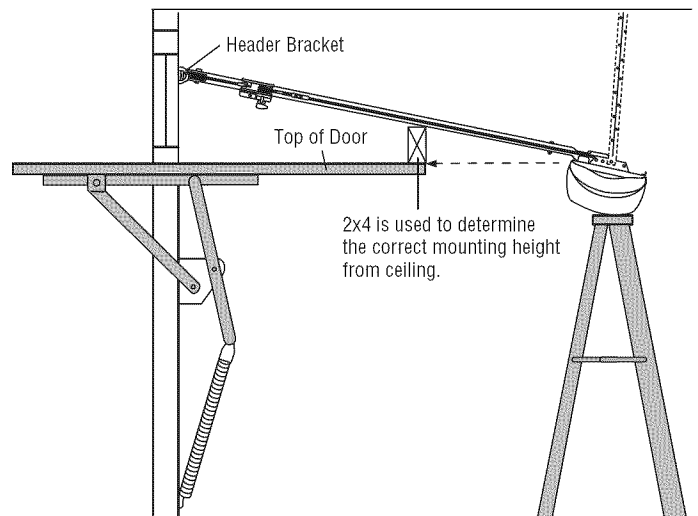


Figure 2



## INSTALLATION STEP 5

### Hang the Opener

Three representative installations are shown. Yours may be different. Hanging brackets should be angled (Figure 1) to provide rigid support. On finished ceilings (Figures 2 and 3), attach a sturdy metal bracket to structural supports before installing the opener. This bracket and fastening hardware are not provided.

1. Measure the distance from each side of the motor unit to the structural support.
2. Cut both pieces of the hanging bracket to required lengths.
3. Drill 3/16" pilot holes in the structural supports.
4. Attach one end of each bracket to a support with 5/16"-9x1-5/8" lag screws.
5. Fasten the opener to the hanging brackets with 5/16"-18x7/8" hex bolts, lock washers and nuts.
6. Check to make sure the rail is centered over the door (or in line with the header bracket if the bracket is not centered above the door).
7. Remove the 2x4. Operate the door manually. If the door hits the rail, raise the header bracket.

**NOTE:** DO NOT connect power to opener at this time.

## WARNING

To avoid possible **SERIOUS INJURY** from a falling garage door opener, fasten it **SECURELY** to structural supports of the garage. Concrete anchors **MUST** be used if installing **ANY** brackets into masonry.

Figure 1

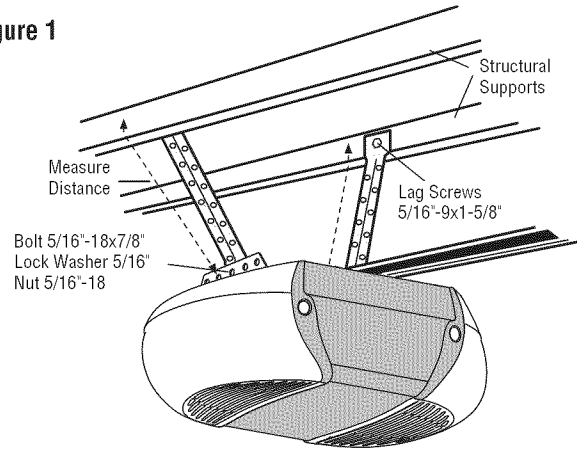


Figure 2

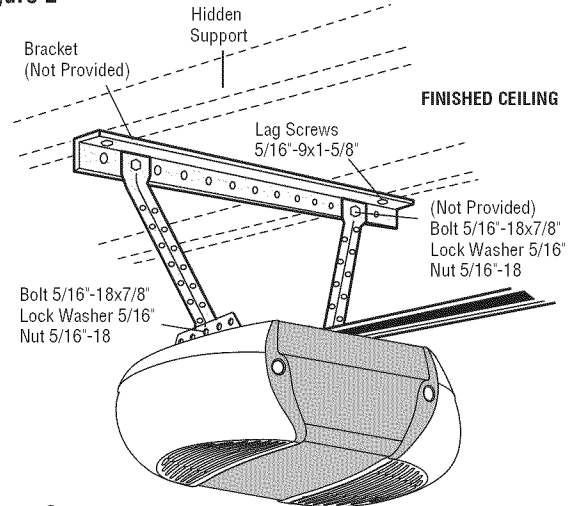
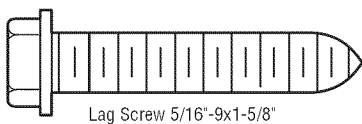
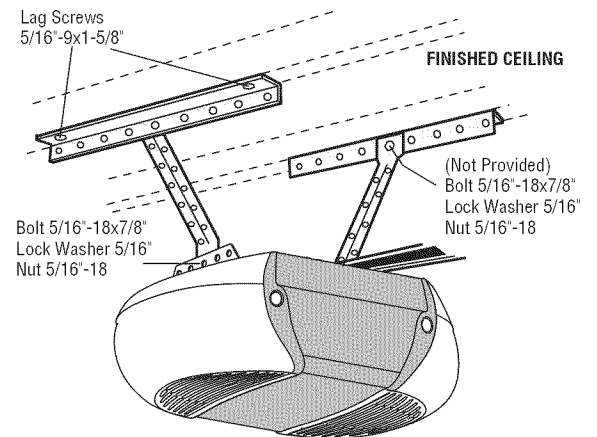
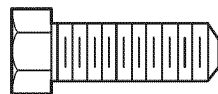


Figure 3



Lag Screw 5/16"-9x1-5/8"

#### HARDWARE SHOWN ACTUAL SIZE



Hex Bolt  
5/16"-18x7/8"



Nut 5/16"-18



Lock Washer 5/16"



## INSTALLATION STEP 6

### Install the Lights

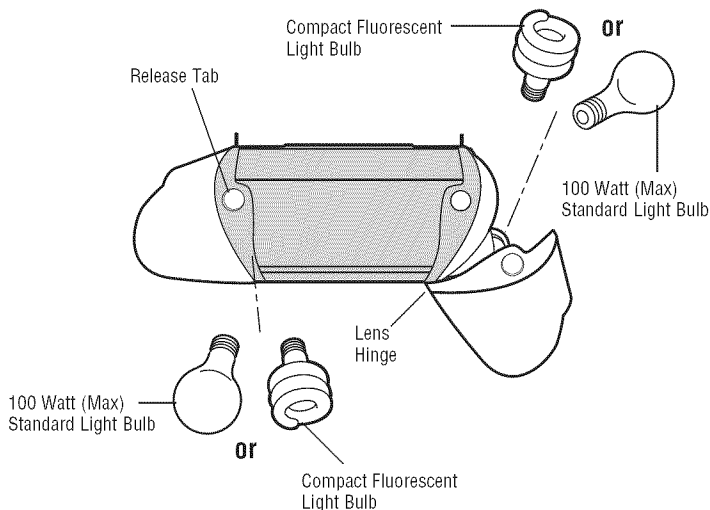
1. Press the release tabs on both sides of lens. Gently rotate lens back and downward until the lens hinge is in the fully open position. Do not remove the lens.
2. Insert an A19 incandescent (100 watt maximum) or compact fluorescent (26W, 100W equivalent) light bulb into the light socket. The lights will turn ON and remain lit for approximately 4-1/2 minutes when power is connected. Then the lights will turn OFF.
3. Reverse the procedure to close the lens.
4. If the bulbs burn out prematurely due to vibration, replace with a garage door opener bulb. Use A19, standard neck garage door opener for replacement.

**NOTE:** Do not use halogen, short neck, or specialty light bulbs as these may overheat the end panel or light socket. Do not use LED bulbs as they may reduce the range or performance of your remote control(s).

## CAUTION

To prevent possible OVERHEATING of the end panel or light socket:

- Use ONLY A19 incandescent (100W maximum) or compact fluorescent (26W maximum) light bulbs.
- DO NOT use incandescent bulbs larger than 100W.
- DO NOT use compact fluorescent light bulbs larger than 26W (100W) equivalent.
- DO NOT use halogen bulbs.
- DO NOT use short neck or specialty light bulbs.



## INSTALLATION STEP 7

### Attach the Emergency Release Rope and Handle

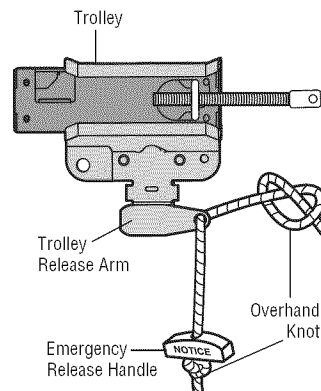
1. Insert one end of the emergency release rope through the handle. Make sure that "NOTICE" is right side up. Tie a knot at least 1 inch (2.5 cm) from the end of the emergency release rope.
2. Insert the other end of the emergency release rope through the hole in the trolley release arm. Mount the emergency release within reach, but at least 6 feet (1.83 m) above floor, avoiding contact with vehicles to prevent accidental release and secure with a knot.

**NOTE:** If it is necessary to cut the emergency release rope, seal the cut end with a match or lighter to prevent unraveling. Ensure the emergency release rope and handle are above the top of all vehicles to avoid entanglement.

## WARNING

To prevent possible SERIOUS INJURY or DEATH from a falling garage door:

- If possible, use emergency release handle to disengage trolley ONLY when garage door is CLOSED. Weak or broken springs or unbalanced door could result in an open door falling rapidly and/or unexpectedly.
- NEVER use emergency release handle unless garage doorway is clear of persons and obstructions.
- NEVER use handle to pull door open or closed. If rope knot becomes untied, you could fall.



## INSTALLATION STEP 8

### Fasten the Door Bracket

Follow instructions which apply to your door type as illustrated below or on the following page.

**A horizontal reinforcement brace should be long enough to be secured to two or three vertical supports. A vertical reinforcement brace should cover the height of the top panel.** Figure 1 shows one piece of angle iron as the horizontal brace. For the vertical brace, 2 pieces of angle iron are used to create a U-shaped support. The best solution is to check with your garage door manufacturer for an opener installation door reinforcement kit.

**NOTE:** Many door reinforcement kits provide for direct attachment of the clevis pin and door arm. In this case you will not need the door bracket; proceed to Step 9.

### SECTIONAL DOORS

1. Center the door bracket on the previously marked vertical centerline used for the header bracket installation. Note correct UP placement, as stamped inside the bracket.
2. Position the top edge of the bracket 2"-4" (5-10 cm) below the top edge of the door, OR directly below any structural support across the top of the door.
3. Mark, drill holes and install as follows, depending on your door's construction:

**Metal or light weight doors using a vertical angle iron brace between the door panel support and the door bracket:**

- Drill 3/16" fastening holes. Secure the door bracket using the two 1/4"-14x5/8" self-threading screws (Figure 2A).
- Alternately, use two 5/16" bolts, lock washers and nuts (not provided) (Figure 2B).

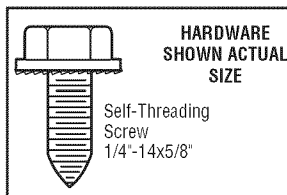
**Metal, insulated or light weight factory reinforced doors:**

- Drill 3/16" fastening holes. Secure the door bracket using the self-threading screws (Figure 3).

**Wood Doors:**

- Use top and bottom or side to side door bracket holes. Drill 5/16" holes through the door and secure bracket with 5/16"x2" carriage bolts, lock washers and nuts (not provided) (Figure 4).

**NOTE:** The 1/4"-14x5/8" self-threading screws are not intended for use on wood doors.



## CAUTION

Fiberglass, aluminum or lightweight steel garage doors **WILL REQUIRE** reinforcement BEFORE installation of door bracket. Contact your door manufacturer for reinforcement kit.

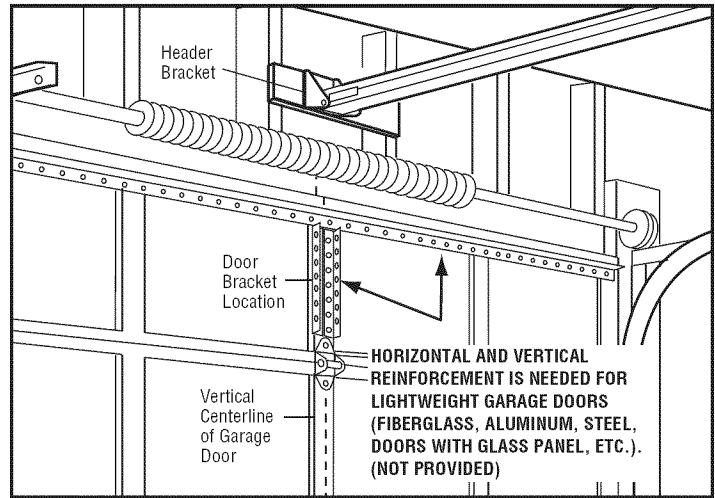


Figure 1

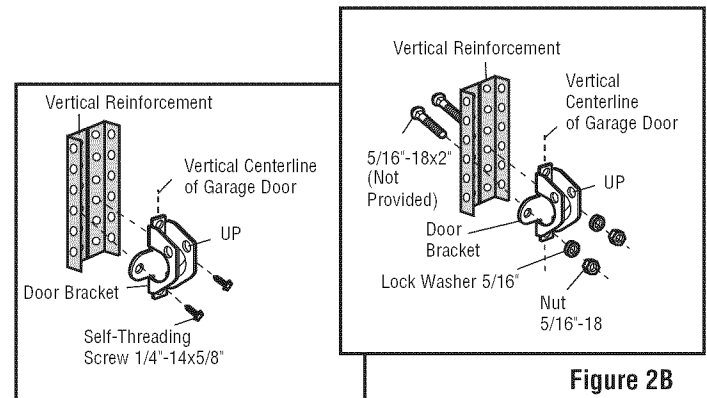


Figure 2A

Figure 2B

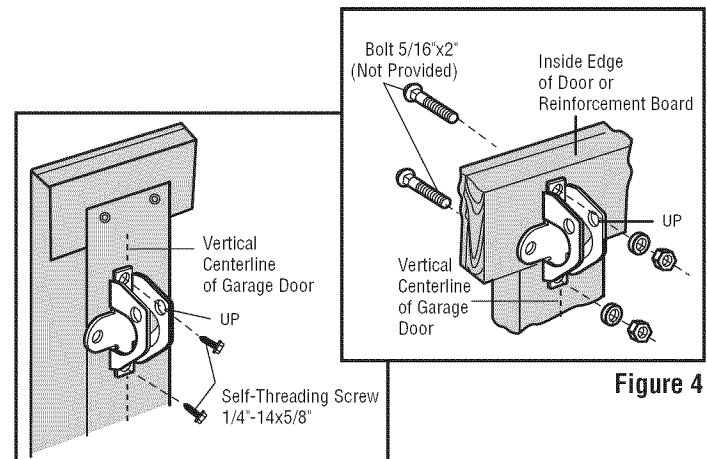


Figure 3

Figure 4

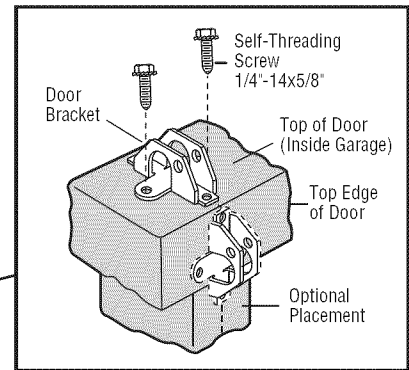
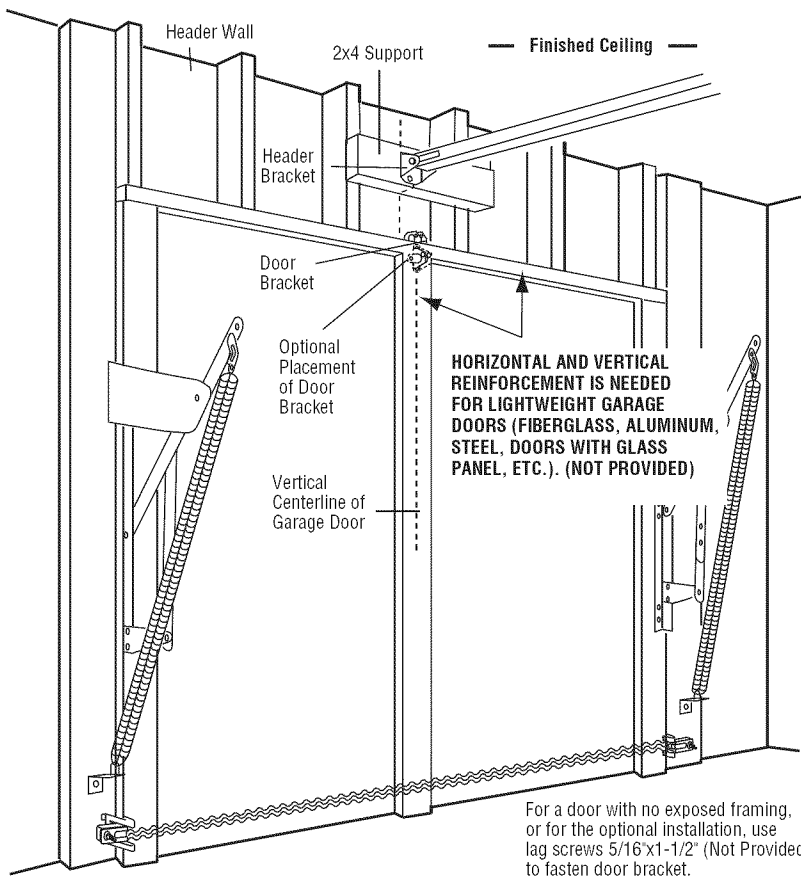
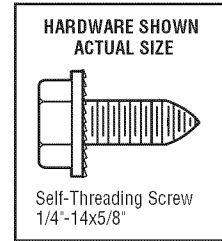
## Fasten the Door Bracket (Continued)

### ONE-PIECE DOORS

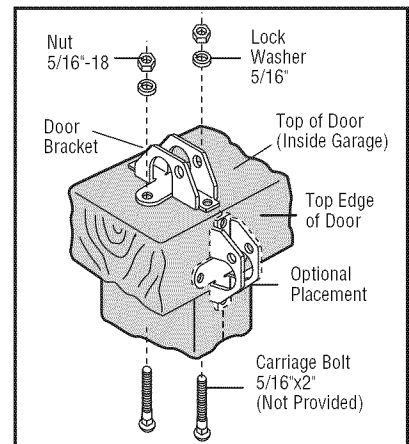
Please read and comply with the warnings and reinforcement instructions on the previous page. They apply to one-piece doors also.

- Center the door bracket on the top of the door, in line with the header bracket as shown. Mark either the left and right, or the top and bottom holes.
- **Metal Doors:** Drill 3/16" pilot holes and fasten the bracket with the 1/4"-14x5/8" self-threading screws provided.
- **Wood Doors:** Drill 5/16" holes and use 5/16"x2" carriage bolts, lock washers and nuts (not provided) or 5/16"x1-1/2" lag screws (not provided) depending on your installation needs.

**NOTE:** The door bracket may be installed on the top edge of the door if required for your installation. (Refer to the dotted line optional placement drawing.)



**METAL DOOR**



**WOOD DOOR**

## INSTALLATION STEP 9

### Connect Door Arm to Trolley

Follow instructions which apply to your door type as illustrated below and on the following page.

**IMPORTANT:** The groove on the straight door arm **MUST** face away from the curved door arm (Figure 4).

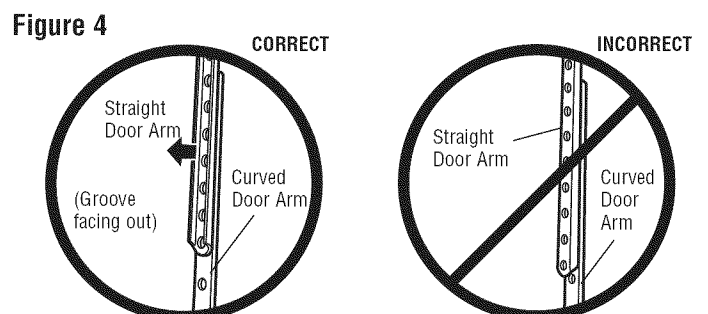
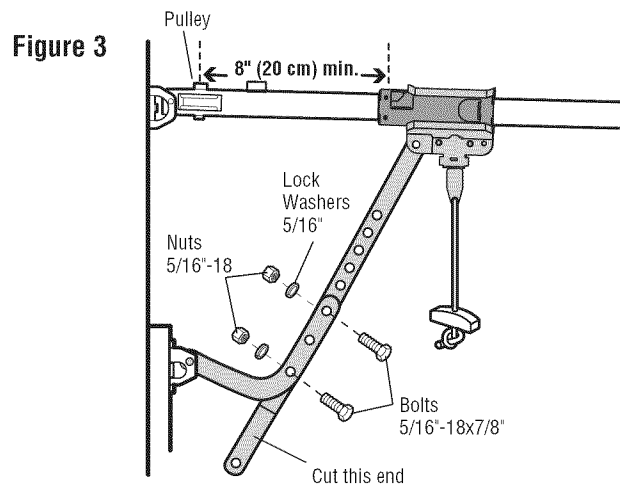
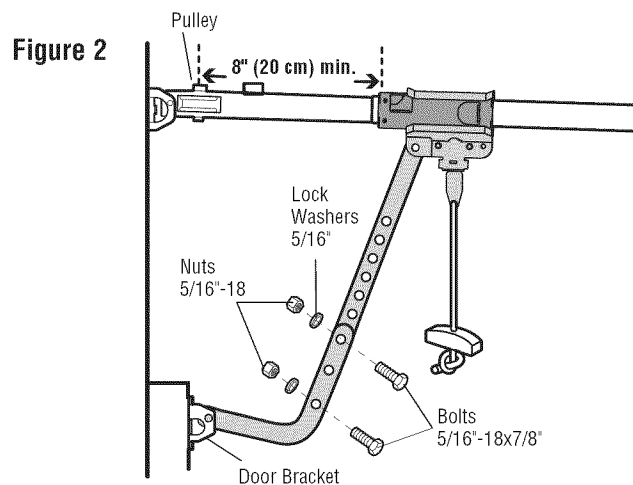
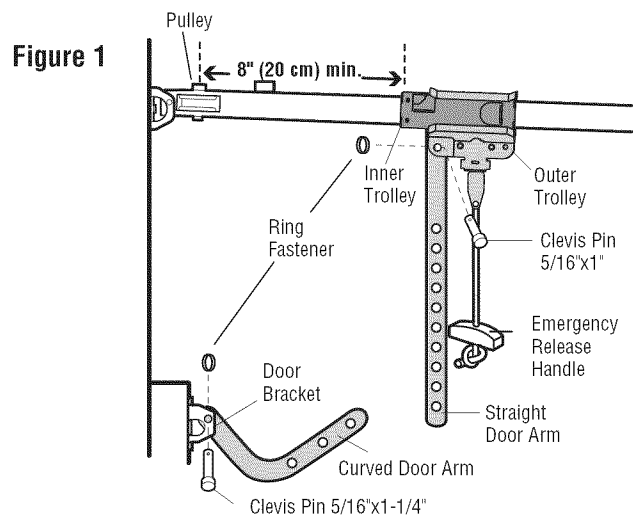
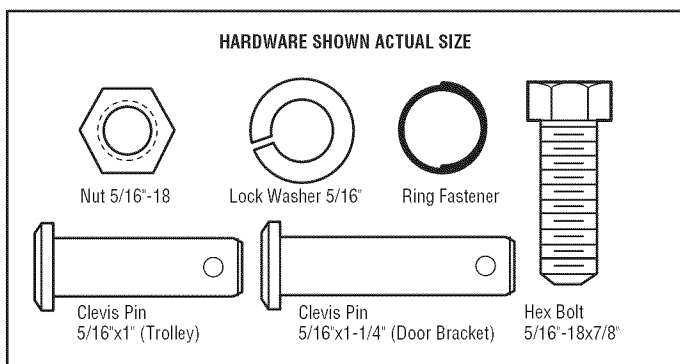
#### SECTIONAL DOORS ONLY

1. Make sure garage door is fully closed. Pull the emergency release handle to disconnect the outer trolley from the inner trolley. Slide the outer trolley back (away from the pulley) about 8" (20 cm) as shown in Figures 1, 2 and 3.
2. Fasten straight door arm section to outer trolley with the 5/16"x1" clevis pin. Secure the connection with a ring fastener (Figure 1).
3. Fasten curved section to the door bracket in the same way, using the 5/16"x1-1/4" clevis pin.
4. Bring arm sections together. Find two pairs of holes that line up and join sections. Select holes as far apart as possible to increase door arm rigidity (Figure 2).

#### Hole alignment alternative (Figure 3):

- If holes in curved arm are above holes in straight arm, disconnect straight arm. Cut about 6" (15 cm) from the solid end. Reconnect to trolley with cut end down as shown.
- Bring arm sections together.
- Find two pairs of holes that line up and join with bolts, lock washers and nuts.

Pull the emergency release handle toward the opener at a 45° angle so that the trolley release arm is horizontal. Trolley will re-engage automatically when opener is operated during the adjustments.



## Connect Door Arm to Trolley (Continued)

### ALL ONE-PIECE DOORS

**IMPORTANT:** The groove on the straight door arm **MUST** face away from the curved door arm (Figure 5).

1. Close the door. Disconnect the trolley by pulling the emergency release handle.
2. Fasten the straight door arm and the curved door arm together to the longest possible length (with a 2 or 3 hole overlap).
3. Attach the straight door arm to the door bracket using the 5/16"x1-1/4" clevis pin. Secure with the ring fastener.
4. Attach the curved door arm to the trolley using the 5/16"x1" clevis pin. Secure with the ring fastener.
5. Pull the emergency release handle toward the garage door opener until the trolley release arm is horizontal.

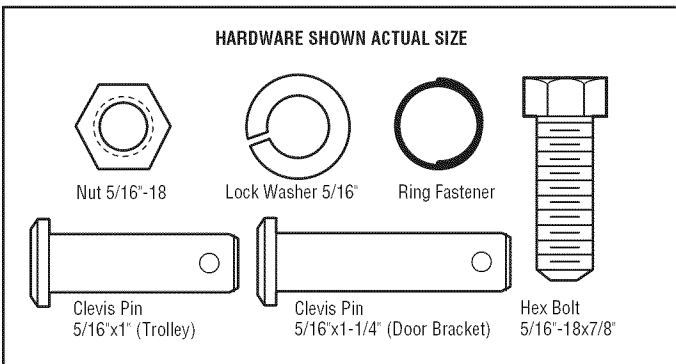


Figure 5

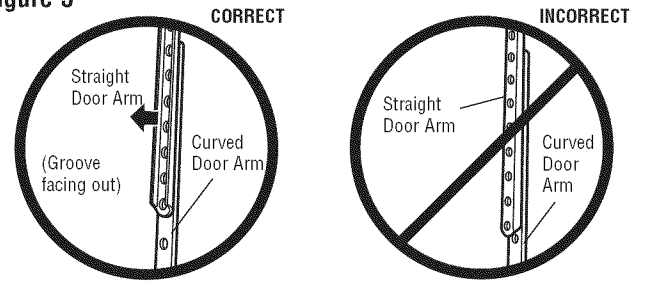


Figure 6 One-Piece Door Without Track

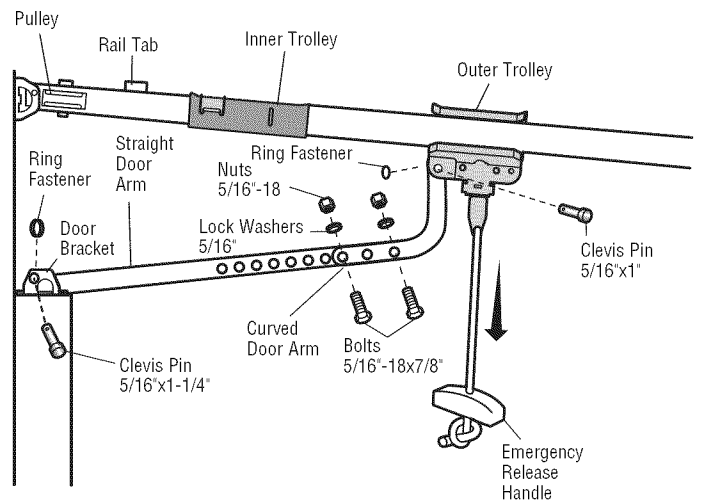
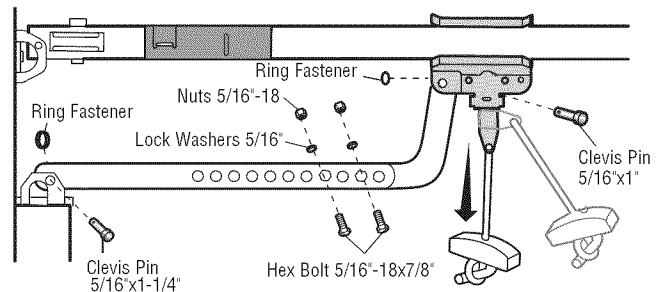


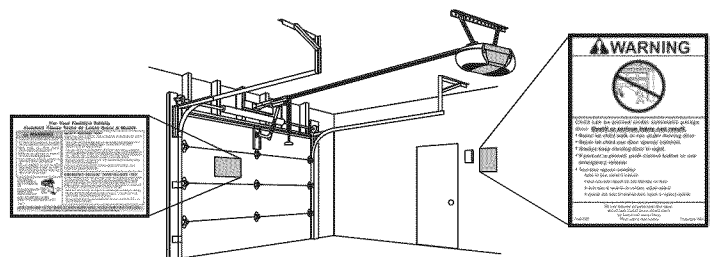
Figure 7 One-Piece Door With Track



## INSTALLATION STEP 10

### Attach the Warning Labels

1. Attach the entrapment warning label on the wall near the door control with tacks or staples.
2. Attach the manual release/safety reverse test label in a visible location on the inside of the garage door.



## INSTALLATION STEP 11

### Install the Door Control

#### INTRODUCTION

**NOTE:** Older Craftsman door controls and third party products are not compatible.

Your garage door opener is compatible with up to 2 AssureLink™ door controls.

Install the door control within sight of the door at a minimum height of 5 feet (1.5 m) where small children cannot reach, and away from the moving parts of the door.

**NOTE:** For gang box installations it is not necessary to drill holes or install the drywall anchors. Use the existing holes in the gang box.

#### WIRE THE DOOR CONTROL (FIGURE 1)

1. Strip 7/16 inch (11 mm) of insulation from one end of the wire and separate the wires.
2. Connect one wire to each of the two screws on the back of the door control. The wires can be connected to either screw.  
**Pre-wired installations:** Choose any two wires to connect, but make note of which wires are used so that the correct wires are connected to the garage door opener in a later step.

#### MOUNT THE DOOR CONTROL (FIGURE 2)

1. Mark the location of the bottom mounting hole and drill a 5/32 inch (4 mm) hole.
2. Install the bottom screw, allowing 1/8 inch (3 mm) to protrude from the wall.
3. Position the bottom hole of the door control over the screw and slide down into place.
4. Lift the push bar and mark the top hole.
5. Remove the door control from the wall and drill a 5/32 inch (4 mm) hole for the top screw.
6. Position the bottom hole of the door control over the screw and slide down into place. Attach the top screw.

#### WIRE THE DOOR CONTROL TO THE GARAGE DOOR OPENER (FIGURE 3)

**Pre-wired installations:** When wiring the door control to the garage door opener make sure you use the same wires that are connected to the door control.

1. Run the white and red/white wire from the door control to the garage door opener. Attach the wire to the wall and ceiling with the staples (not applicable for gang box or pre-wired installations). Do not pierce the wire with the staple as this may cause a short or an open circuit.
2. Strip 7/16 inch (11 mm) of insulation from the other end of the wire near the garage door opener.
3. Connect the wire to the red and white terminals on the garage door opener.

## ⚠️ WARNING

To prevent possible SERIOUS INJURY or DEATH from electrocution:

- Be sure power is NOT connected BEFORE installing door control.
- Connect ONLY to 12 VOLT low voltage wires.

To prevent possible SERIOUS INJURY or DEATH from a closing garage door:

- Install door control within sight of garage door, out of reach of children at a minimum height of 5 feet (1.5 m), and away from ALL moving parts of door.
- NEVER permit children to operate or play with door control push buttons or remote control transmitters.
- Activate door ONLY when it can be seen clearly, is properly adjusted, and there are no obstructions to door travel.
- ALWAYS keep garage door in sight until completely closed. NEVER permit anyone to cross path of closing garage door.

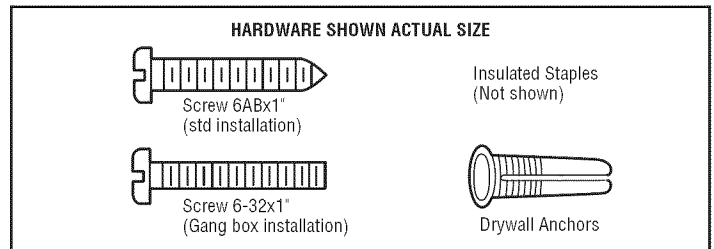


Figure 1

PRE-WIRED INSTALLATIONS: Choose any two wires to connect, but make note of which wires are used.

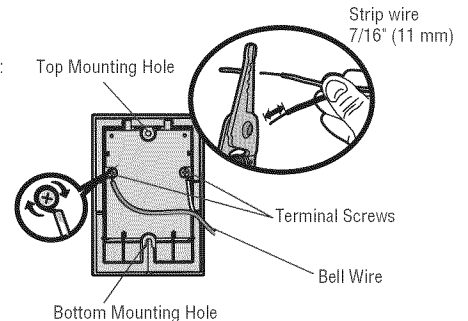


Figure 2

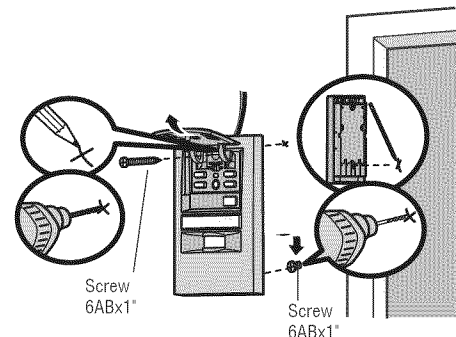
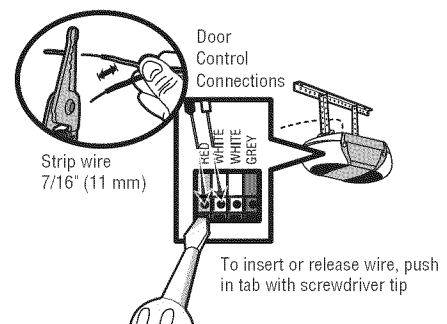


Figure 3



## INSTALLATION STEP 12

### Install The Protector System<sup>®</sup>

#### IMPORTANT INFORMATION ABOUT THE SAFETY REVERSING SENSORS

The safety reversing sensors must be connected and aligned correctly before the garage door opener will move in the down direction.

The sending sensor (with an amber LED) transmits an invisible light beam to the receiving sensor (with a green LED). If an obstruction breaks the light beam while the door is closing, the door will stop and reverse to the full open position, and the garage door opener lights will flash 10 times.

**NOTE:** For energy efficiency the garage door opener will enter sleep mode when the door is fully closed. The sleep mode shuts the garage door opener down until activated. The sleep mode is sequenced with the garage door opener light bulb; as the light bulb turns off the sensor LEDs will turn off and whenever the garage door opener lights turn on the sensor LEDs will light. The garage door opener will not go into the sleep mode until the garage door opener has completed 5 cycles upon power up. When installing the safety reversing sensors check the following:

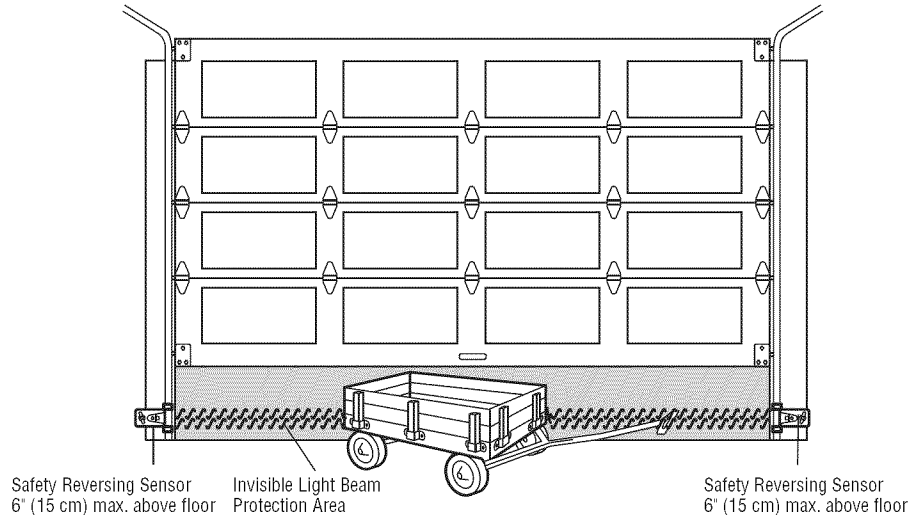
- Sensors are installed inside the garage, one on either side of the door.
- Sensors are facing each other with the lenses aligned and the receiving sensor lens does not receive direct sunlight.
- Sensors are no more than 6 inches (15 cm) above the floor and the light beam is unobstructed.

## WARNING

Be sure power is NOT connected to the garage door opener BEFORE installing the safety reversing sensor.

To prevent SERIOUS INJURY or DEATH from closing garage door:

- Correctly connect and align the safety reversing sensor. This required safety device MUST NOT be disabled.
- Install the safety reversing sensor so beam is NO HIGHER than 6" (15 cm) above garage floor.



Facing the door from inside the garage

## Install The Protector System® (Continued)

### INSTALLING THE BRACKETS

Be sure power to the opener is disconnected. Install and align the brackets so the sensors will face each other across the garage door, with the beam no higher than 6" (15 cm) above the floor. They may be installed in one of three ways, as follows.

#### Garage door track installation (preferred):

1. Slip the curved arms over the rounded edge of each door track, with the curved arms facing the door. Snap into place against the side of the track. It should lie flush, with the lip hugging the back edge of the track, as shown in Figure 1.

If your door track will not support the bracket securely, wall installation is recommended.

#### Wall installation (Figures 2 & 3):

1. Place the bracket against the wall with curved arms facing the door. Be sure there is enough clearance for the sensor beam to be unobstructed.
2. If additional depth is needed, an extension bracket (see Accessories) or wood blocks can be used.
3. Use bracket mounting holes as a template to locate and drill (2) 3/16" diameter pilot holes on the wall at each side of the door, no higher than 6" (15 cm) above the floor.
4. Attach brackets to wall with lag screws (not provided).
5. If using extension brackets or wood blocks, adjust right and left assemblies to the same distance out from the mounting surface. Make sure all door hardware obstructions are cleared.

#### Floor installation (Figure 4):

1. Use wood blocks or extension brackets (see Accessories) to elevate sensor brackets so the lenses will be no higher than 6" (15 cm) above the floor.
2. Carefully measure and place right and left assemblies at the same distance out from the wall. Be sure all door hardware obstructions are cleared.
3. Fasten to the floor with concrete anchors as shown.

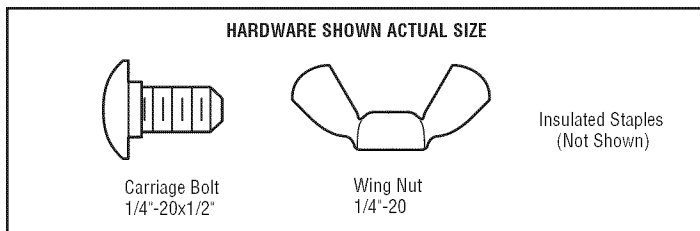


Figure 1 DOOR TRACK MOUNT (RIGHT SIDE)

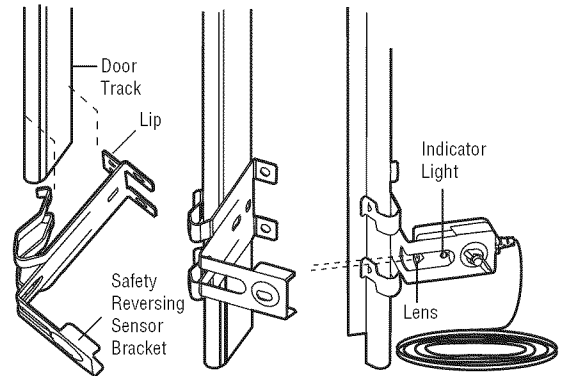


Figure 2 WALL MOUNT (RIGHT SIDE)

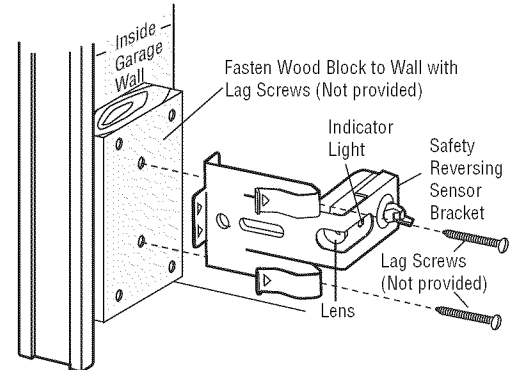


Figure 3 WALL MOUNT (RIGHT SIDE)

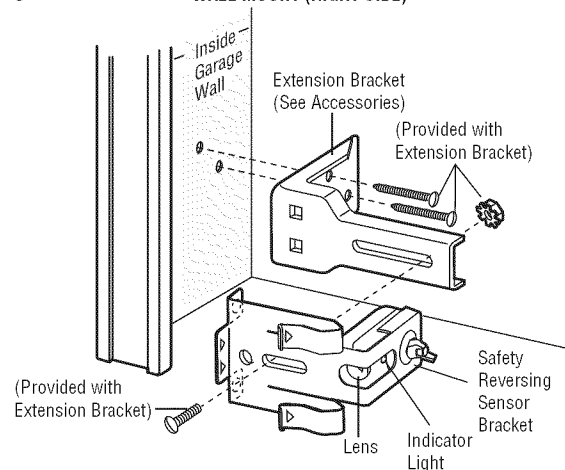
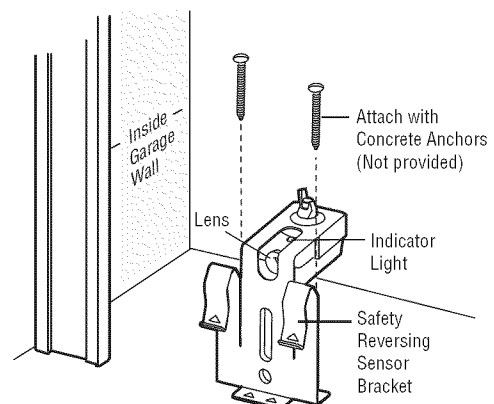


Figure 4 FLOOR MOUNT (RIGHT SIDE)





## Install The Protector System® (Continued)

### MOUNTING AND WIRING THE SAFETY REVERSING SENSORS

#### Mounting:

1. Slide a 1/4"-20x1/2" carriage bolt head into the slot on each sensor. Use wing nuts to fasten sensors to brackets, with lenses pointing toward each other across the door. Be sure the lens is not obstructed by a bracket extension (Figure 5).
2. Finger tighten the wing nuts.

#### Option A - Installation Without Pre-Wiring:

1. Run the bell wire from both sensors to the garage door opener. Attach the wire to the wall and ceiling with the staples (Figure 6).

#### Option B - Pre-Wired Installation:

If your garage already has wires installed for the safety reversing sensors, follow the instructions below:

1. Cut the end of the safety sensor wire, making sure there is enough wire to reach the pre-installed wires from the wall (Figure 7).
2. Separate the safety sensor wires and strip 7/16 inch (11 mm) of insulation from each end. Choose two of the pre-installed wires and strip 7/16 inch (11 mm) of insulation from each end. Make sure that you choose the same color pre-installed wires for each sensor (Figure 8).
3. Connect the pre-installed wires to the sensor wires with wire nuts making sure the colors correspond for each sensor (Figure 9).

#### CONNECT TO GARAGE DOOR OPENER:

1. Strip 7/16 inch (11 mm) of insulation from each set of wires. Separate white and white/black wires sufficiently to connect to the opener quick-connect terminals. Twist like colored wires together. Insert wires into quick-connect holes: white to white and white/black to grey (Figure 10).

Figure 5

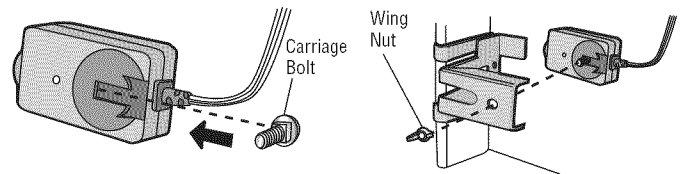


Figure 6

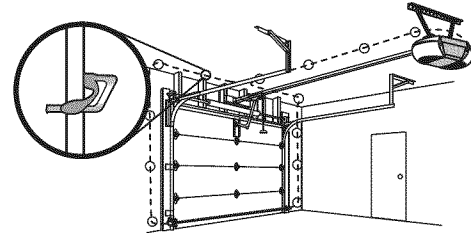


Figure 7

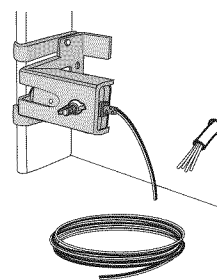


Figure 8

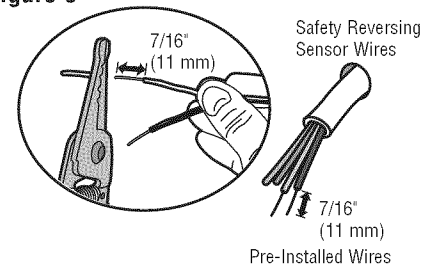


Figure 9

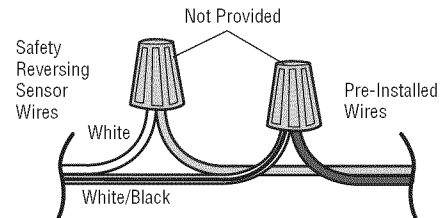
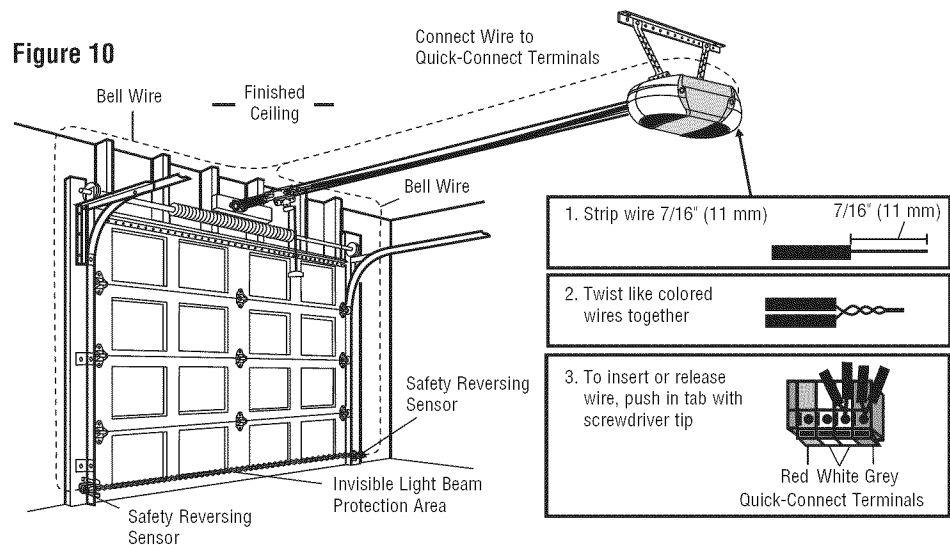


Figure 10

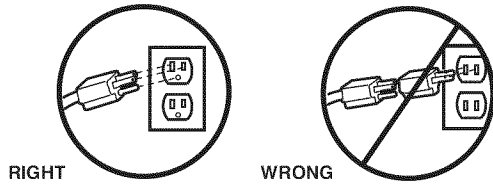


## INSTALLATION STEP 13

### Electrical Requirements

To avoid installation difficulties, do not run the opener at this time.

To reduce the risk of electric shock, your garage door opener has a grounding type plug with a third grounding pin. This plug will only fit into a grounding type outlet. If the plug doesn't fit into the outlet you have, contact a qualified electrician to install the proper outlet.



If permanent wiring is required by your local code, refer to the following procedure.

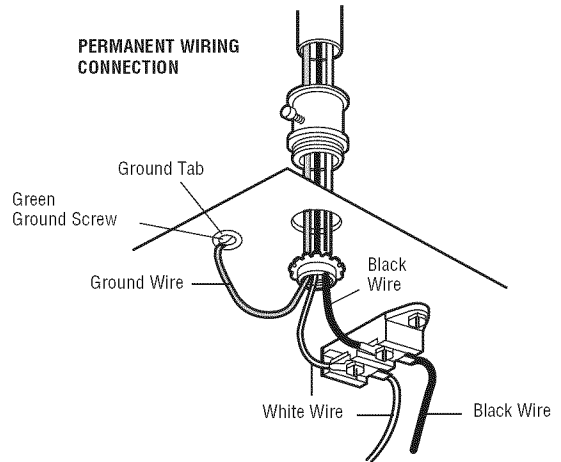
To make a permanent connection through the 7/8 inch hole in the top of the motor unit:

1. Remove the motor unit cover screws and set the cover aside.
2. Remove the attached 3-prong cord.
3. Connect the black (line) wire to the screw on the brass terminal; the white (neutral) wire to the screw on the silver terminal; and the ground wire to the green ground screw. **The opener must be grounded.**
4. Reinstall the cover.

## WARNING

To prevent possible SERIOUS INJURY or DEATH from electrocution or fire:

- Be sure power is NOT connected to the opener, and disconnect power to circuit BEFORE removing cover to establish permanent wiring connection.
- Garage door installation and wiring MUST be in compliance with ALL local electrical and building codes.
- NEVER use an extension cord, 2-wire adapter, or change plug in ANY way to make it fit outlet. Be sure the opener is grounded.



## INSTALLATION STEP 14

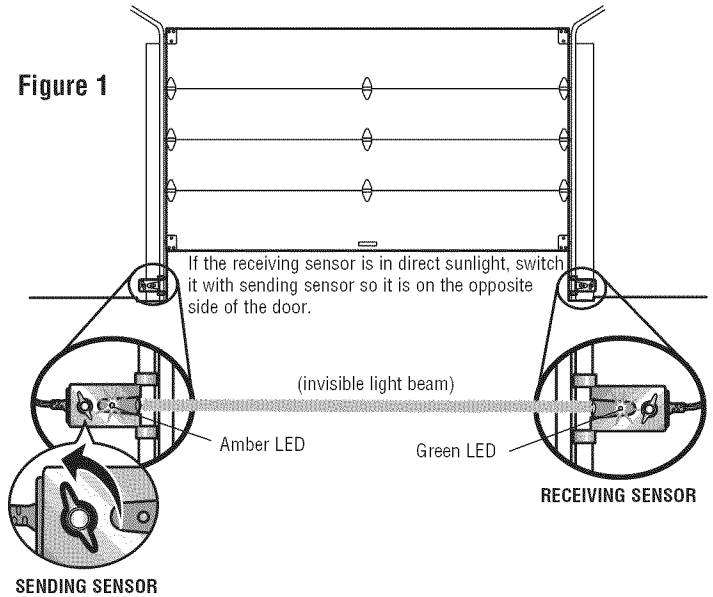
### Aligning the Safety Reversing Sensors

The door will not close if the sensors have not been installed and aligned correctly.

When the light beam is obstructed or misaligned while the door is closing, the door will reverse and the garage door opener lights will flash ten times. If the door is already open, it will not close.

1. Check to make sure the LEDs in both sensors are glowing steadily. The LEDs in both sensors will glow steadily if they are aligned and wired correctly.

The sensors can be aligned by loosening the wing nuts, aligning the sensors, and tightening the wing nuts.

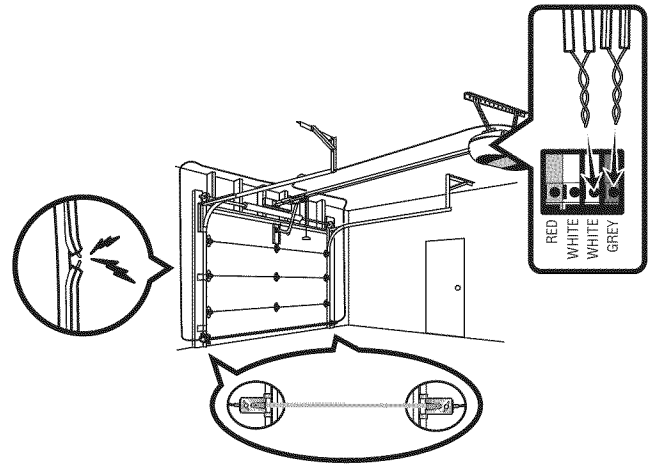


### IF THE AMBER LED ON THE SENDING SENSOR IS NOT GLOWING:

1. Make sure there is power to the garage door opener.
2. Make sure the sensor wire is not shorted/broken.
3. Make sure the sensor has been wired correctly: white wires to white terminal and white/black wires to grey terminal.

### IF THE GREEN LED ON THE RECEIVING SENSOR IS NOT GLOWING:

1. Make sure the sensor wire is not shorted/broken.
2. Make sure the sensors are aligned.

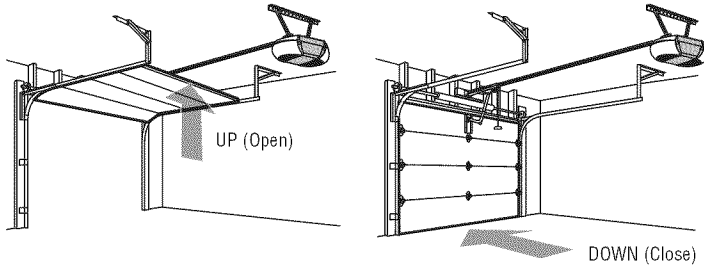


# ADJUSTMENT

## Introduction

Your garage door opener is designed with electronic controls to make setup and adjustments easy. The adjustments allow you to program where the door will stop in the open (UP) and close (DOWN) position. The electronic controls sense the amount of force required to open and close the door. The force is adjusted automatically when you program the travel.

**NOTE:** If anything interferes with the door's upward travel it will stop. If anything interferes with the door's downward travel, it will reverse.



**WARNING**

Without a properly installed safety reversal system, persons (particularly small children) could be **SERIOUSLY INJURED** or **KILLED** by a closing garage door.

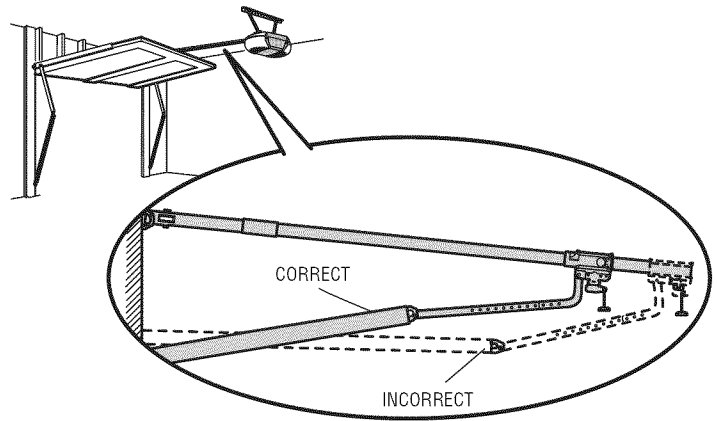
- Incorrect adjustment of garage door travel limits will interfere with proper operation of safety reversal system.
- After ANY adjustments are made, the safety reversal system **MUST** be tested. Door **MUST** reverse on contact with 1-1/2" (3.8 cm) high object (or 2x4 laid flat) on floor.

**CAUTION**

To prevent damage to vehicles, be sure fully open door provides adequate clearance.

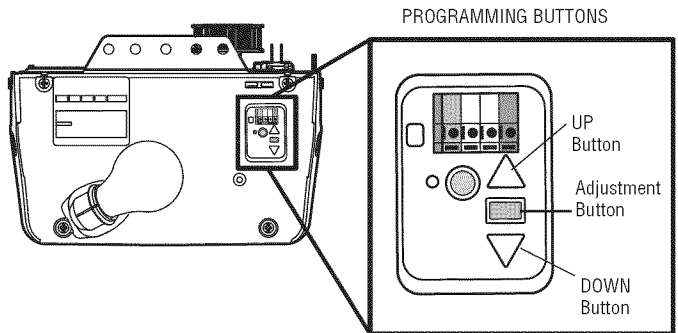
## ONE-PIECE DOORS ONLY

When setting the UP travel for a one-piece door ensure that the door does not slant backwards when fully open (UP). If the door is slanted backwards this will cause unnecessary bucking and/or jerking when the door is opening or closing.



## PROGRAMMING BUTTONS

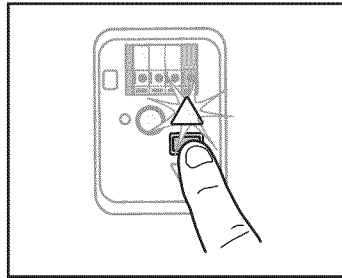
The programming buttons are located on the left side panel of the garage door opener and are used to program the travel.



## ADJUSTMENT STEP 1

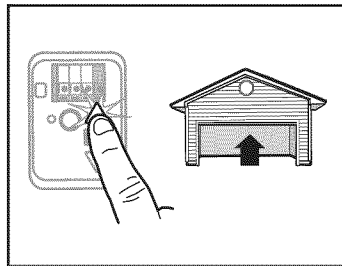
### Program the Travel

1. Press and hold the Adjustment Button until the UP Button begins to flash and/or a beep is heard.



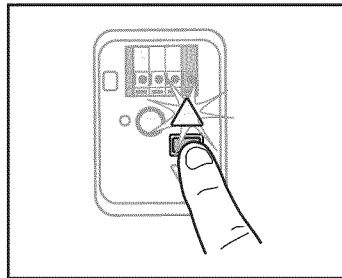
2. Press and hold the UP Button until the door is in the desired UP position.

**NOTE:** The UP and DOWN Buttons can be used to move the door up and down as needed.



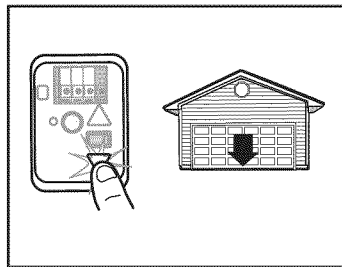
3. Once the door is in the desired UP position press and release the Adjustment Button. The garage door opener lights will flash twice and the DOWN Button will begin to flash.

**IMPORTANT NOTE:** For one-piece door installations refer to page 28.

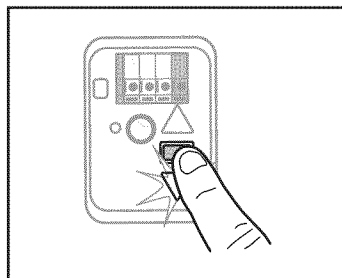


4. Press and hold the DOWN Button until the door is in the desired DOWN position.

**NOTE:** The UP and DOWN Buttons can be used to move the door up and down as needed.



5. Once the door is in the desired DOWN position press and release the Adjustment Button. The garage door opener lights will flash twice and the UP Button will begin to flash.

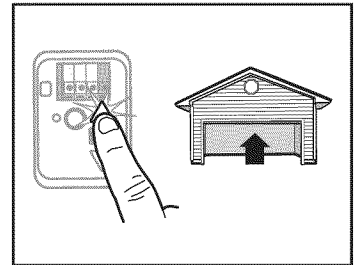


## WARNING

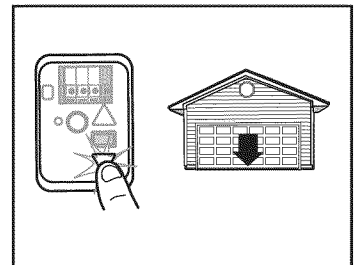
Without a properly installed safety reversal system, persons (particularly small children) could be SERIOUSLY INJURED or KILLED by a closing garage door.

- Incorrect adjustment of garage door travel limits will interfere with proper operation of safety reversal system.
- After ANY adjustments are made, the safety reversal system MUST be tested. Door MUST reverse on contact with 1-1/2" (3.8 cm) high object (or 2x4 laid flat) on floor.

6. Press and release the UP Button. When the door travels to the programmed UP position, the DOWN Button will begin to flash.



7. Press and release the DOWN Button. The door will travel to the programmed DOWN position. Programming is complete.



\* If the garage door opener lights are flashing 5 times during the steps for Program the Travel, the programming has timed out. If the garage door opener lights are flashing 10 times during the steps for Program the Travel, the safety reversing sensors are misaligned or obstructed (refer to page 27). When the sensors are aligned and unobstructed, cycle the door through a complete up and down cycle using the remote control or the UP and DOWN buttons. Programming is complete. If you are unable to operate the door up and down, repeat the steps for Programming the Travel.

## ADJUSTMENT STEP 2

### Test the Safety Reversal System

#### TEST

1. With the door fully open, place a 1-1/2 inch (3.8 cm) board (or a 2x4 laid flat) on the floor, centered under the garage door.
2. Operate the door in the down direction. The door **MUST** reverse on striking the obstruction.

#### ADJUST

- If the door stops and does not reverse on the obstruction, the down travel needs to be increased (refer to Adjustment Step 1). **NOTE:** *On a sectional door, make sure adjustments do not force the door arm beyond a straight up and down position.*
- Repeat the test.
- When the door reverses on the 1-1/2" (3.8 cm) board (or 2x4 laid flat), remove the obstruction and run the opener through 3 or 4 complete travel cycles to test adjustment.
- If the garage door opener continues to fail the safety reversal test, call a trained door systems technician.

#### IMPORTANT SAFETY CHECK:

Test the Safety Reverse System after:

- Each adjustment of door arm length, limits, or force controls.
- Any repair to or adjustment of the garage door (including springs and hardware).
- Any repair to or buckling of the garage floor.
- Any repair to or adjustment of the opener.

## ADJUSTMENT STEP 3

### Test The Protector System<sup>®</sup>

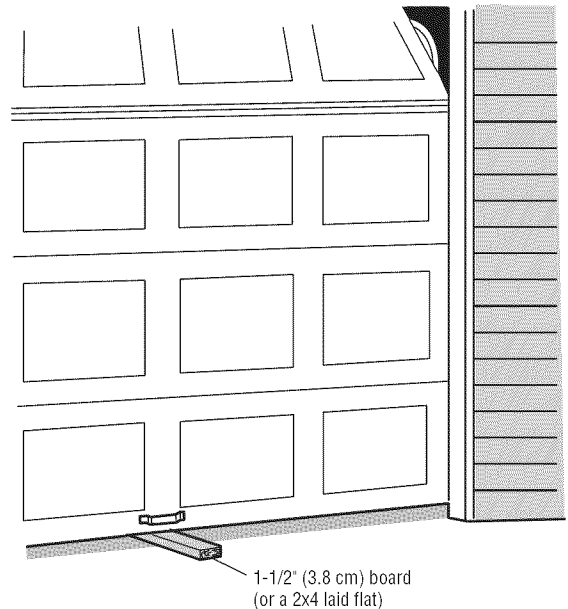
1. Press the remote control push button to open the door.
2. Place the opener carton in the path of the door.
3. Press the remote control push button to close the door. The door will not move more than an inch (2.5 cm), and the opener lights will flash.

The garage door opener will not close from a remote control if the LED in either safety reversing sensor is off (alerting you to the fact that the sensor is misaligned or obstructed). If the garage door opener closes the door when the safety reversing sensor is obstructed (and the sensors are no more than 6 inches [15 cm] above the floor), call for a trained door systems technician.

## ⚠ WARNING

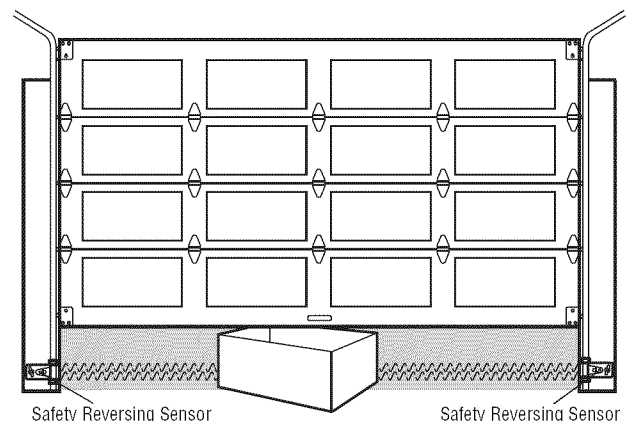
Without a properly installed safety reversal system, persons (particularly small children) could be **SERIOUSLY INJURED** or **KILLED** by a closing garage door.

- Safety reversal system **MUST** be tested every month.
- After **ANY** adjustments are made, the safety reversal system **MUST** be tested. Door **MUST** reverse on contact with 1-1/2" (3.8 cm) high object (or 2x4 laid flat) on the floor.



## ⚠ WARNING

Without a properly installed safety reversing sensor, persons (particularly small children) could be **SERIOUSLY INJURED** or **KILLED** by a closing garage door.



## OPERATION

# IMPORTANT SAFETY INSTRUCTIONS

## **WARNING**

### To reduce the risk of SEVERE INJURY or DEATH:

1. READ AND FOLLOW ALL WARNINGS AND INSTRUCTIONS.
2. ALWAYS keep remote controls out of reach of children. NEVER permit children to operate or play with garage door control push buttons or remote controls.
3. ONLY activate garage door when it can be seen clearly, it is properly adjusted, and there are no obstructions to door travel.
4. ALWAYS keep garage door in sight and away from people and objects until completely closed. NO ONE SHOULD CROSS THE PATH OF THE MOVING DOOR.
5. NO ONE SHOULD GO UNDER A STOPPED, PARTIALLY OPENED DOOR.
6. If possible, use emergency release handle to disengage trolley ONLY when garage door is CLOSED. Use caution when using this release with the door open. Weak or broken springs or unbalanced door could result in an open door falling rapidly and/or unexpectedly and increasing the risk of SEVERE INJURY or DEATH.
7. NEVER use emergency release handle unless garage doorway is clear of persons and obstructions.
8. NEVER use handle to pull garage door open or closed. If rope knot becomes untied, you could fall.
9. After ANY adjustments are made, the safety reversal system MUST be tested.
10. Safety reversal system MUST be tested every month. Garage door MUST reverse on contact with 1-1/2" (3.8 cm) high object (or a 2x4 laid flat) on the floor. Failure to adjust the garage door opener properly increases the risk of SEVERE INJURY or DEATH.
11. ALWAYS KEEP GARAGE DOOR PROPERLY BALANCED (see page 3). An improperly balanced door may NOT reverse when required and could result in SEVERE INJURY or DEATH.
12. ALL repairs to cables, spring assemblies and other hardware, ALL of which are under EXTREME tension, MUST be made by a trained door systems technician.
13. ALWAYS disconnect electric power to garage door opener BEFORE making ANY repairs or removing covers.
14. This operator system is equipped with an unattended operation feature. The door could move unexpectedly. NO ONE SHOULD CROSS THE PATH OF THE MOVING DOOR.
15. DO NOT enable the Timer-to-Close functionality if operating either one-piece or swinging garage doors. To be enabled ONLY when operating a sectional door.

## 16. SAVE THESE INSTRUCTIONS.

### Features

Your garage door opener is equipped with features to provide you with greater control over your garage door operation.

#### **TIMER-TO-CLOSE (DO NOT enable on one-piece doors)**

The Timer-to-Close feature automatically closes the door after a specified time period that can be adjusted using the door control. Prior to the door closing there will be an audible and visual alert.

#### **ASSURELINK™**

AssureLink™ technology uses a 900MHz signal to provide two-way communication between the garage door opener and AssureLink™ accessories. Your garage door opener is compatible with up to 8 AssureLink™ accessories.

#### **ASSURELINK™ REMOTE CONTROLS AND DOOR CONTROLS**

Your garage door opener has already been programmed at the factory to operate with your remote control, which changes with each use, randomly accessing over 100 billion new codes. Older Craftsman accessories are not compatible.

Accessories	MEMORY CAPACITY
Remote Controls	Up to 8
Door Controls	Up to 2 AssureLink™ door controls.
Keyless Entries	Up to 1

#### **THE PROTECTOR SYSTEM® (SAFETY REVERSING SENSORS)**

When properly connected and aligned, the safety reversing sensors will detect an obstruction in the path of the infrared beam. If an obstruction breaks the infrared beam while the door is closing, the door will stop and reverse to full open position, and the opener lights will flash 10 times. If the door is fully open, and the safety reversing sensors are not installed, or are misaligned, the door will not close from a remote control. However, you can close the door if you hold the button on the door control or keyless entry until the door is fully closed. The safety reversing sensors do not effect the opening cycle.

#### **ENERGY CONSERVATION**

For energy efficiency the garage door opener will enter sleep mode when the door is fully closed. The sleep mode shuts the garage door opener down until activated. The sleep mode is sequenced with the garage door opener light bulb; as the light bulb turns off the sensor LEDs will turn off and whenever the garage door opener lights turn on the sensor LEDs will light. The garage door opener will not go into the sleep mode until the garage door opener has completed 5 cycles upon power up.

#### **LIGHTS**

The garage door opener light bulbs will turn on when the opener is initially plugged in; power is restored after interruption, or when the garage door opener is activated. The lights will turn off automatically after 4-1/2 minutes. An incandescent A19 light bulb (100 watt maximum) or for maximum energy efficiency a 26W (100W equivalent) compact fluorescent light (CFL) bulb may be used.

## Features (Continued)

### USING YOUR GARAGE DOOR OPENER

The garage door opener can be activated through a wall-mounted door control, remote control, wireless keyless entry or AssureLink™ accessory.

When the door is closed and the garage door opener is activated the door will open. If the door senses an obstruction or is interrupted while opening the door will stop. When the door is in any position other than closed and the garage door opener is activated the door will close. If the garage door opener senses an obstruction while closing, the door will reverse. If the obstruction

interrupts the sensor beam the garage door opener lights will blink 10 times. However, you can close the door if you hold the button on the door control or keyless entry until the door is fully closed. The safety reversing sensors do no effect the opening cycle.

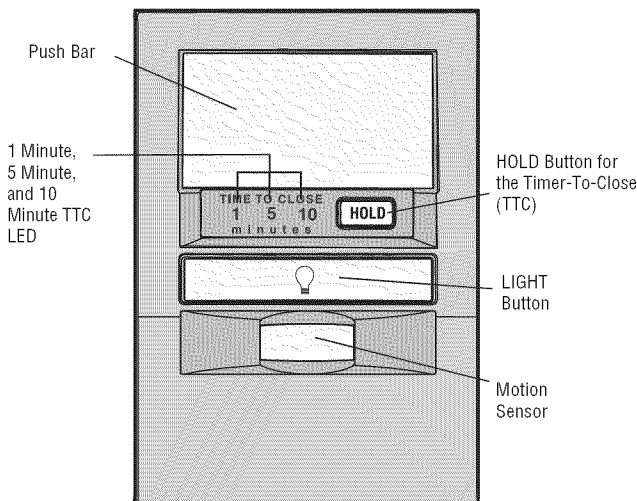
The safety reversing sensor must be connected and aligned correctly before the garage door opener will move in the down direction.

## Door Control

### SYNCHRONIZE THE DOOR CONTROL

To synchronize the door control to the garage door opener, press the push bar until the garage door opener activates (it may take up to 3 presses). Test the door control by pressing the push bar, each press of the push bar will activate the garage door opener.

### USING THE DOOR CONTROL



#### Push Bar

Press the push bar to open or close the door.

#### Light Button

Press the LIGHT button to turn the garage door opener lights on or off. When the lights are turned on they will stay on until the LIGHT button is pressed again, or until the garage door opener is activated. Once the garage door opener is activated the lights will turn off after the specified period of time (the factory setting is 4-1/2 minutes). The LIGHT button will not control the lights when the door is in motion.

The duration of the light timing can be adjusted using the door control.

The following features are accessible through the screen using the navigation buttons on the Smart Control Panel:

#### LEARN A DEVICE

Any compatible remote controls, wireless keyless entry, or AssureLink™ accessories can be programmed to the garage door opener by pressing the Learn button on the Motion-Detecting Control Panel.

#### Lock

The LOCK feature is designed to prevent activation of the garage door opener from remote controls while still allowing activation from the door control and keyless entry. This feature is useful for added peace of mind when the home is empty (i.e. vacation).

#### Timer-to-Close (TTC)

DO NOT enable TTC if operating a one-piece door. TTC is to be used ONLY with sectional doors.

Factory default is set to off. TTC can be set to automatically close your garage door from the fully open position after a specified period of time (1, 5, 10 minute intervals). The garage door opener will beep and the lights will flash before closing the door. If the door encounters an obstruction while closing, the garage door opener will make a second attempt to close the door. If the obstruction has not been cleared after the second attempt, the garage door opener will reverse open, stop and WILL NOT close until the obstruction has been cleared. TTC WILL NOT work if the garage door opener is operating by battery power or if the safety reversing sensors are misaligned. This feature is NOT intended to be the primary method of closing the door. **A keyless entry should be installed in the event of an accidental lock out when using this feature.**

#### AUTOMATIC LIGHT

##### Motion Sensor

Factory default is set to on. This feature will automatically turn on the garage door opener lights when motion is sensed. The lights will come on for the set period of time, then shut off.

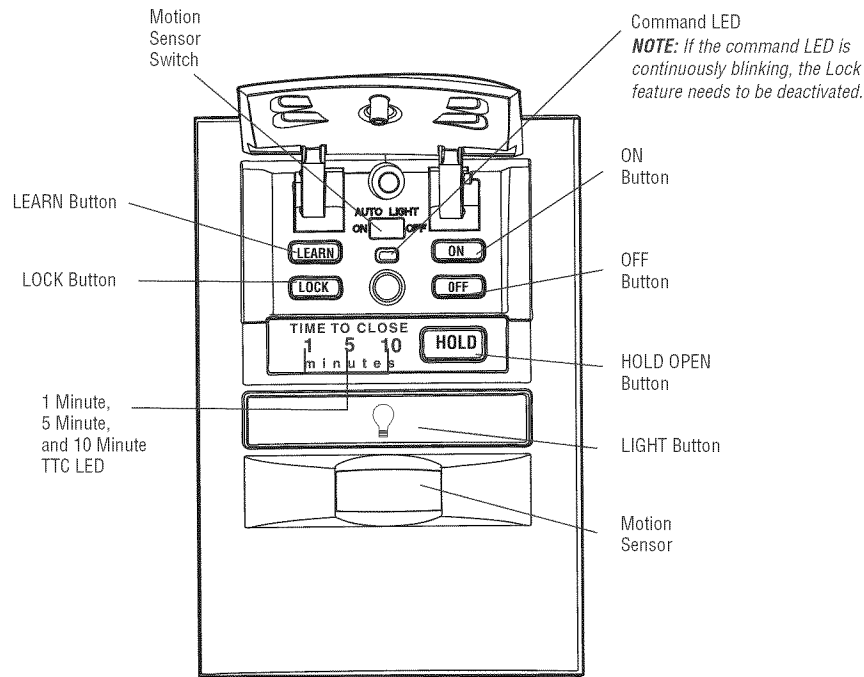
If using the garage door opener light as a work light disable the Automatic Light Feature, otherwise the light will turn off automatically if you are beyond the range of the sensor.

##### Light Feature

The lights will turn on when someone enters through the open garage door and the safety sensor infrared beam is broken.



## Motion-Detecting Control Panel Setup



### TIMER-TO-CLOSE (TTC)

**NOTE:** DO NOT enable TTC if operating a one-piece door. TTC is to be used ONLY with sectional doors.

#### Activate:

Press and hold the ON button until one of the TTC LEDs light up. Then press the ON button again to cycle through the time interval options (the corresponding TTC LED will light for each time interval). The garage door opener light bulbs will blink as confirmation.

#### Deactivate:

Press and hold the OFF button until all TTC LEDs turn off and a beep is heard from the motor unit.

#### Temporarily hold door open (suspend TTC):

Press and release the HOLD OPEN button. Press the HOLD OPEN button again to resume normal TTC operation.

### LOCK

#### Activate:

Press and hold the LOCK button for 2 seconds. The command LED will flash as long as the lock feature is activated and your hand held remote control will not operate your door at this time.

#### Deactivate:

Press and hold the LOCK button again for 2 seconds. The command LED will stop flashing and normal operation will resume.

### LIGHT

**To change the amount of time the garage door opener lights will stay on:**

Press and hold the LOCK button until the garage door opener lights flash.\* The time interval is indicated by the number of flashes.

NUMBER OF TIMES GARAGE DOOR OPENER LIGHTS FLASH	TIME THE GARAGE DOOR OPENER LIGHT STAYS ON
1	1 ½ Minutes
2	2 ½ Minutes
3	3 ½ Minutes
4	4 ½ Minutes

To cycle through the time intervals repeat the step above.

### LIGHT FEATURE

This feature will turn on the garage door opener lights when the safety reversing sensors have been broken.

#### Deactivate:

Press and hold the LIGHT button until the garage door opener lights turn on, then off again.\*

#### Activate:

Start with the garage door opener lights on. Press and hold the LIGHT button until the garage door opener lights turn off, then on again.\*

### MOTION SENSOR

#### Activate/Deactivate:

Slide the motion sensor switch ON or OFF.

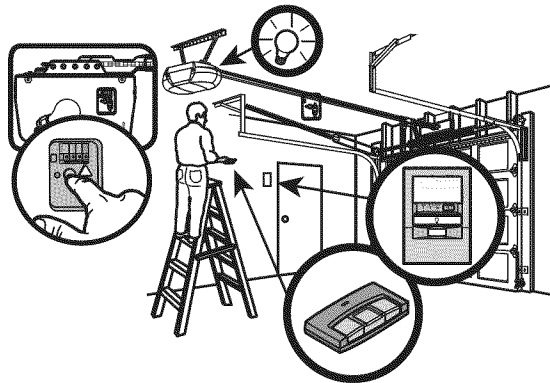
\* Approximately 10 seconds

## Programming

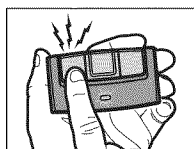
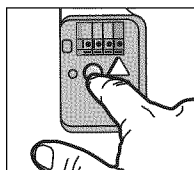
Your garage door opener has been programmed at the factory to operate with your remote control. Older Craftsman® accessories are not compatible, see page 40 for compatible accessories. Programming can be done through the door control or the learn button on the garage door opener. To program additional remote controls refer to the instructions provided with the additional remote controls.

**IMPORTANT NOTE:** If your vehicle is equipped with a Homelink®, you may require an external adapter depending on the make, model and year of your vehicle. Visit [www.homelink.com](http://www.homelink.com) for additional information.

### PROGRAM A REMOTE USING THE LEARN BUTTON

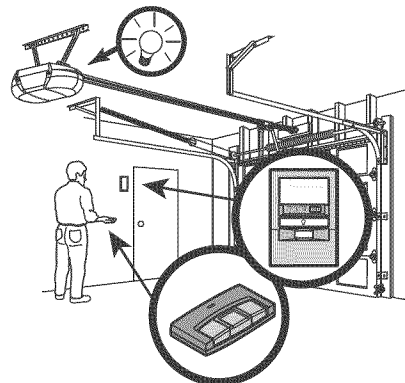


1. Press and release the Learn button on the garage door opener. The Learn indicator light will glow steadily for 30 seconds.
2. Within 30 seconds, press and hold the button on the remote control.
3. Release the button when the garage door opener light blinks. It has learned the code. If light bulbs are not installed, two clicks will be heard.

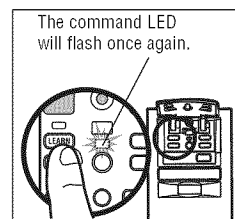
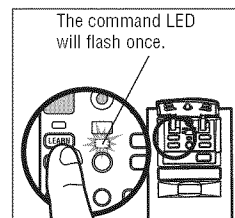


When replacing the light lens cover, ensure the antenna wires are hanging straight down.

### TO ADD, REPROGRAM, OR CHANGE A REMOTE CONTROL/KEYLESS ENTRY PIN USING THE MOTION-DETECTING CONTROL PANEL



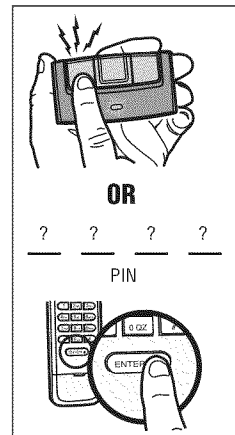
1. Press the LEARN button on the door control to enter Programming Mode.
2. Press the LEARN button again, the LED will flash once.
3. Press the button on the remote control that you wish to operate your garage door.



- OR**  
Enter a 4-digit personal identification number (PIN) of your choice on the keyless entry keypad. Then press the ENTER button.

The garage door opener lights will flash (or two clicks will be heard) when the code has been programmed.

Repeat the steps above for programming additional remote controls or keyless entry devices.



## To Erase the Memory

### ERASE ALL REMOTE CONTROLS AND KEYLESS ENTRIES

1. Press and hold the learn button on garage door opener until the learn LED goes out (approximately 6 seconds). All remote control and keyless entry codes are now erased. Reprogram any accessory you wish to use.

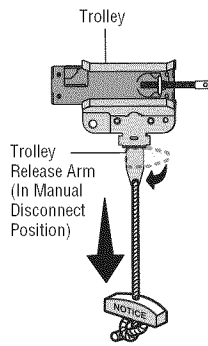
### ERASE ALL DEVICES (INCLUDING ASSURELINK™ ACCESSORIES)

1. Press and hold the learn button on garage door opener until the learn LED goes out (approximately 6 seconds).
2. Immediately press and hold the learn button again until the learn LED goes out. All codes are now erased. Reprogram any accessory you wish to use.

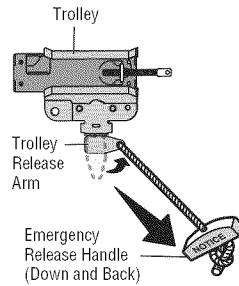
## To Open the Door Manually

### DISCONNECT THE TROLLEY

1. The door should be fully closed if possible.
2. Pull down on the emergency release handle so the trolley release arm snaps to the vertical position. The door can now be raised and lowered as often as necessary.



Lockout position  
(Manual disconnect)



To reconnect

## Care of Your Opener

### MAINTENANCE SCHEDULE

#### Every month

- Manually operate door. If it is unbalanced or binding, call a trained door systems technician.
- Check to be sure door opens and closes fully. Adjust if necessary, see page 28.
- Test the safety reversal system. Adjust if necessary, see page 28.

#### Every year

- Oil door rollers, bearings and hinges. The garage door opener does not require additional lubrication. Do not grease the door tracks.

## WARNING

To prevent possible SERIOUS INJURY or DEATH from a falling garage door:

- If possible, use emergency release handle to disengage trolley ONLY when garage door is CLOSED. Weak or broken springs or unbalanced door could result in an open door falling rapidly and/or unexpectedly.
- NEVER use emergency release handle unless garage doorway is clear of persons and obstructions.
- NEVER use handle to pull door open or closed. If rope knot becomes untied, you could fall.

## WARNING

To prevent possible SERIOUS INJURY or DEATH:

- NEVER allow small children near batteries.
- If battery is swallowed, immediately notify doctor.

To reduce risk of fire, explosion or chemical burn:

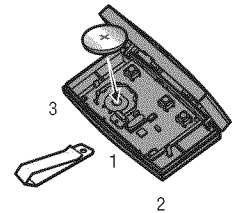
- Replace ONLY with 3V2032 coin batteries.
- DO NOT recharge, disassemble, heat above 212°F (100°C) or incinerate.

The lithium battery should produce power for up to 3 years.

To replace battery, use the visor clip or screwdriver blade to pry open the case as shown. Insert battery positive side up (+).

Replace the battery with only 3V2032 coin cell batteries. Dispose of old battery properly

Pry open the case first in the middle (1), then at each side (2 and 3) with the visor clip.



NOTICE: To comply with FCC and/or Industry Canada (IC) rules, adjustment or modifications of this transceiver are prohibited. THERE ARE NO USER SERVICEABLE PARTS. Any changes or modifications not expressly approved by the party responsible for compliance could void the user's authority to operate the equipment.

This device complies with Part 15 of the FCC rules and IC RSS-210. Operation is subject to the following two conditions: (1) this device may not cause harmful interference, and (2) this device must accept any interference received, including interference that may cause undesired operation. This Class B digital apparatus complies with Canadian ICES-003.

AVIS: Les règles de la FCC et/ou d'Industrie Canada (IC) interdisent tout ajustement ou toute modification de ce récepteur. IL N'EXISTE AUCUNE PIÈCE SUSCEPTIBLE D'ÊTRE ENTRETENUE PAR L'UTILISATEUR. Tout changement ou toute modification non expressément approuvé par la partie responsable de la conformité peut avoir pour résultat d'annuler l'autorité de l'utilisateur de faire fonctionner l'équipement. Cet appareil est conforme aux dispositions de la partie 15 du règlement de la FCC et de la norme IC RSS-210. Son utilisation est assujettie aux deux conditions suivantes: (1) ce dispositif ne peut causer des interférences nuisibles, et (2) ce dispositif doit accepter toute interférence reçue, y compris une interférence pouvant causer un fonctionnement non souhaité. Cet appareil numérique de la classe B est conforme à la norme NMB-003 du Canada.

## TROUBLESHOOTING

### DIAGNOSTIC CHART

Your garage door opener is programmed with self-diagnostic capabilities. The UP and DOWN arrows on the garage door opener flash the diagnostic codes.

UP ARROW FLASH(ES)	DOWN ARROW FLASH(ES)	SYMPTOM	SOLUTION
1	1	The garage door opener will not close and the light bulbs flash.	Safety sensors are not installed, connected, or wires may be cut. Inspect sensor wires for a disconnected or cut wire.
1	2	The garage door opener will not close and the light bulbs flash.	There is a short or reversed wire for the safety sensors. Inspect safety sensor wire at all staple and connection points, replace wire or correct as needed.
1	3	The door control will not function.	The wires for the door control are shorted or the door control is faulty. Inspect door control wires at all staple and connection points, replace wire or correct as needed.
1	4	The garage door opener will not close and the light bulbs flash.	Safety sensors are misaligned or were momentarily obstructed. Realign both sensors to ensure both LEDs are steady and not flickering. Make sure nothing is hanging or mounted on the door that would interrupt the sensor's path while closing.
1	5	Door moves 6-8" stops or reverses.	Manually open and close the door. Check for binding or obstructions, such as a broken spring or door lock, correct as needed. Check wiring connections at travel module and at the logic board. Replace travel module if necessary.
		No movement, only a single click.	Manually open and close the door. Check for binding or obstructions, such as a broken spring or door lock, correct as needed. Replace logic board if necessary.
		Opener hums for 1-2 seconds no movement.	Opener hums for 1-2 seconds no movement.
1	6	Door coasts after it has come to a complete stop.	Program travel to coasting position or have door balanced by a trained door systems technician.
2	1-5	No movement, or sound.	Replace logic board.
3	2	Unable to set the travel or retain position.	Check travel module for proper assembly, replace if necessary.

## TROUBLESHOOTING

UP ARROW FLASH(ES)	DOWN ARROW FLASH(ES)	SYMPTOM	SOLUTION
4	1-4	Door is moving stops or reverses.	Manually open and close the door. Check for binding or obstructions, such as a broken spring or door lock, correct as needed. If the door is binding or sticking contact a trained door systems technician. If door is not binding or sticking attempt to reprogram travel (refer to page 28).
4	5	Opener runs approximately 6-8", stops and reverses.	Communication error to travel module. Check travel module connections, replace travel module if necessary.
4	6	The garage door opener will not close and the light bulbs flash.	Safety sensors are misaligned or were momentarily obstructed. Realign both sensors to ensure both LEDs are steady and not flickering. Make sure nothing is hanging or mounted on the door that would interrupt the sensor's path while closing.

### **My garage door opener beeps:**

- A visual and audible alert that an unattended door is closing from a garage door monitor, AssureLink™ Internet Gateway, or Timer-to-Close.

### **My remote control will not activate the garage door:**

- Verify the lock feature is not activated on the door control.
- Reprogram the remote control.
- If the remote control will still not activate the door check the diagnostic codes to ensure the garage door opener is working properly.

### **My door will not close and the light bulbs blink on my motor unit:**

The safety reversing sensor must be connected and aligned correctly before the garage door opener will move in the down direction.

- Verify the safety sensors are properly installed, aligned and free of any obstructions.

### **My garage door opener light(s) will not turn off when the door is open:**

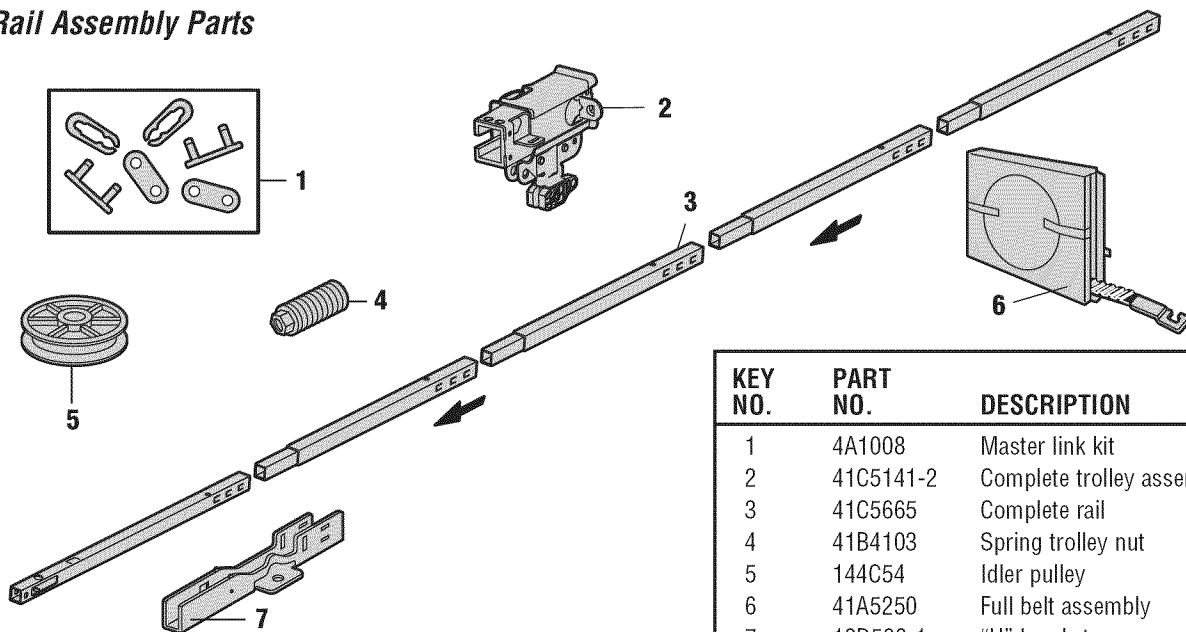
The garage door opener is equipped with a feature that turns the light on when the safety reversing sensors have been obstructed or when the motion sensor on the door control detects movement in the garage. These features can be disabled using the door control, see page 33.

### **My neighbor's remote control opens my garage door:**

Erase the memory from your garage door opener and reprogram the remote control(s).

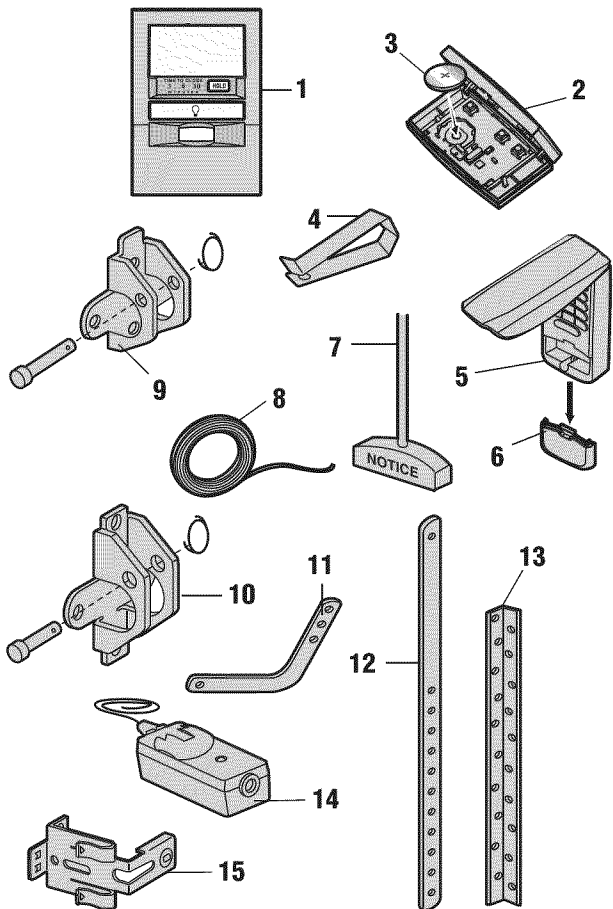
# REPAIR PARTS

## Rail Assembly Parts



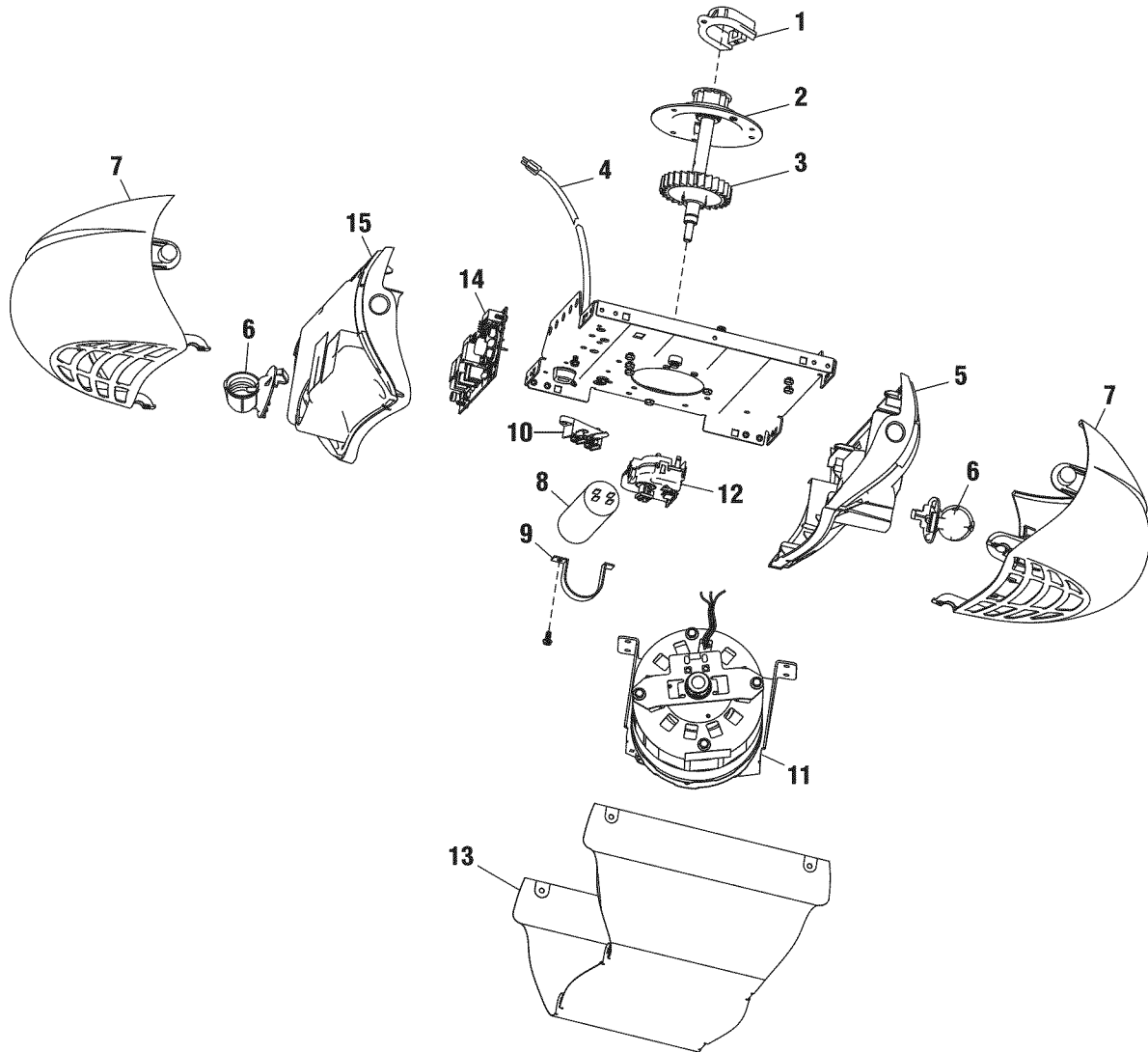
KEY NO.	PART NO.	DESCRIPTION
1	4A1008	Master link kit
2	41C5141-2	Complete trolley assembly
3	41C5665	Complete rail
4	41B4103	Spring trolley nut
5	144C54	Idler pulley
6	41A5250	Full belt assembly
7	12D598-1	"U" bracket
		<b>NOT SHOWN</b>
	183A163	Wear pads

## Installation Parts



KEY NO.	PART NO.	DESCRIPTION
1	041A7569	Premium Motion-Detecting Control Panel
2	139.30498	3-Button remote control
3	10A20	3V2032 lithium battery
4	29B137	Visor clip
5	139.3050	Wireless keypad
6	41D541	Wireless keypad battery cover
7	41A2828	Emergency release rope and handle assembly
8	41B4494-1	2-Conductor bell wire: white and white/red
9	41A5047-3	Header bracket with clevis pin and fastener
10	41A5047-1	Door bracket with clevis pin and fastener
11	178B35	Curved door arm section
12	178B34	Straight door arm section
13	12B776	Hanging bracket
14	41A5034	Safety reversing sensor kit (receiving and sending eyes) with 2-conductor bell wire attached
15	041A5266-3	Safety reversing sensor bracket
		<b>NOT SHOWN</b>
	10A2	9V battery for wireless keypad
	041A7920-2	Installation hardware bag (includes hardware listed on page 7)
	114A4700	Owner's manual

## Motor Unit Assembly Parts



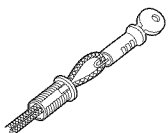
KEY NO.	PART NO.	DESCRIPTION	KEY NO.	PART NO.	DESCRIPTION
1	41A4371	Sprocket Cover	9	12A373	Capacitor Bracket
2	41A4885-4	Gear and Sprocket	10	41A3150	Terminal Block
3	41A2817	Drive and Worm Gear	11	041A7442	Universal Motor
4	41B4245	Line Cord	12	041D7742-7	Travel Module (passpoint)
5	041A7646	Front End Panel with all labels	13	041D8112	Motor Cover Kit
6	41C279	Light Socket	14	045ACT	Logic Board
7	108D0077	Light Lens	15	041A7629-1	Logic Board End Panel
8	30B532-1	Capacitor		<b>NOT SHOWN</b>	
				041A8114	Wire Harness Kit

## ACCESSORIES

139.53702

### Emergency Key Release:

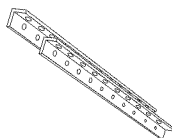
Required for a garage with NO access door. Enables homeowner to open garage door manually from outside by disengaging trolley.



139.53589

### Support Brackets:

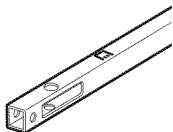
For finished ceilings or where additional support is required, based on garage construction. Includes brackets and fastening hardware.



139.53728

### 8 Foot (2.4 m) Rail Extension:

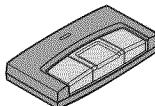
To allow an 8 foot (2.4 m) door to open fully.



139.30498

### Remote Control:

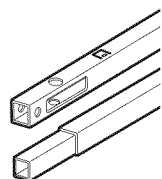
Works with all Craftsman openers 1993-Present. Includes visor clip.



139.53729

### 10 Foot (3 m) Rail Extension:

To allow a 10 foot (3 m) door to open fully.



139.30499

### Keychain Remote Control:

Works with all Craftsman openers 1993-Present. With key ring.

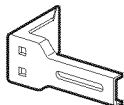


041A5281-1

### Extension Brackets:

*(Available only through Sears Parts & Service)*

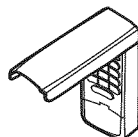
(Optional) For safety sensor installation onto the wall or floor.



139.3050

### Wireless Keypad:

For use outside of the home to enable access to the garage using a 4-digit PIN. Works with ALL Craftsman openers 1993-Present.



41A7665

### AssureLink™ Internet Gateway:

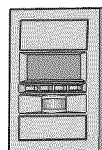
Internet enabled accessory which connects to the computer and allows you to monitor and control garage door openers and lighting accessories enabled by AssureLink™ technology.



41A7563

### Smart Control Panel:

Displays temperature, time and systems diagnostics, includes a push bar to open and close the door and lock feature for extra security.



139.21255

### Plug-In Light Control:

Automatically control your lights using your garage door opener, an AssureLink™ remote control or a Craftsman Internet Gateway. Plugs into any interior outlet.



## WARRANTY

### CRAFTSMAN WARRANTY

#### 90-DAY IN-HOME LIMITED WARRANTY

FOR 90 DAYS from the date of sale, this product is warranted against defects in material or workmanship. With proof of purchase, a defective product will be repaired free of charge.

#### LIMITED WARRANTY ON PARTS

FROM THE 91st DAY THROUGH 3 YEARS from the date of sale, this product is warranted against defective parts. With proof of purchase, a new part will be furnished to replace a defective one free of charge. Any costs for professional installation are not included.

#### LIMITED WARRANTY ON MOTOR

FROM THE 91st DAY THROUGH 10 YEARS from the date of sale, the motor on this product is warranted against defects in material or workmanship. With proof of purchase, a new motor will be furnished to replace a defective one free of charge. Any costs for professional installation are not included.

#### WARRANTY SERVICE

For warranty coverage details to obtain product repair or replacement parts, visit the web page: [www.craftsman.com/warranty](http://www.craftsman.com/warranty).

#### WARRANTY RESTRICTION

This Craftsman Garage Door Opener Limited Warranty does not cover light bulbs, which are expendable parts, or repair parts necessary because of operator abuse or negligence, including the failure to install, adjust and operate this garage door opener according to instructions contained in the owner's manual. This limited warranty also does not cover any problems caused by interference.

#### LIMITATION ON LIABILITY

Seller will not be liable for loss or damage to property or any incidental or consequential loss or expense from property damage due directly or indirectly to the use of this product. Some states do not allow the exclusion or limitation of incidental or consequential damages, so the above limitation or exclusion may not apply to you.

#### DISCLAIMER OF IMPLIED WARRANTIES

Except for the motor, all implied warranties for this product, including but not limited to any implied warranties of merchantability and fitness for a particular purpose, are limited in duration to the 90-Day and 91st day through 3-year limited warranty period set forth above. All implied warranties with respect to the motor are limited in duration to the 91st day through 10-year limited warranty period set forth above. No implied warranties will exist or apply after such periods. Some states do not allow limitations on how long an implied warranty lasts, so the above limitations may not apply to you.

This warranty applies only while this product is in use in the United States.

This warranty gives you specific legal rights, and you may also have other rights which vary from state to state.

Sears Brands Management Corporation, Hoffman Estates, IL 60179





## CONTENIDO

<b>Introducción</b>	<b>2-7</b>	<b>Ajustes</b>	<b>28-30</b>
Revisión de los símbolos y términos de seguridad	2	Introducción	28
Preparación de la puerta de su cochera	3	Programación del desplazamiento	29
Herramientas necesarias	3	Pruebe el sistema de seguridad de reversa	30
Planificación	4-5	Prueba la Protector System®	30
Inventario de la caja de cartón	6	<b>Operación</b>	<b>31-35</b>
Inventario de piezas	7	Instrucciones importantes de seguridad	31
<b>Montaje</b>	<b>8-11</b>	Funciones	31-32
Monte el riel y instale el trole	8	Control de la puerta	32
Fije el riel a la unidad del motor	9	Panel de control con detector de movimiento	33
Instale la polea loca	9	Programación	34
Instale la banda	10	Para borrar la memoria	34
Ajuste de la correa	10	Cómo abrir la puerta manualmente	34
Instale a cubierta de la rueda dentada	11	Mantenimiento de su abridor de puerta de cochera	35
<b>Instalación</b>	<b>11-27</b>	<b>Diagnóstico de problemas</b>	<b>36-37</b>
Instrucciones importantes para la instalación	11	<b>Accesorios</b>	<b>38</b>
Determine dónde va a instalar la ménsula del cabezal	12	<b>Garantía</b>	<b>38</b>
Instale la ménsula del cabezal	13	<b>Notas</b>	<b>39</b>
Coloque el riel en la ménsula del cabezal	14	<b>Piezas y servicio de reparación</b>	<b>Contratapa</b>
Coloque el abridor en posición	15		
Cuelgue el abridor	16		
Instale las luces	17		
Coloque la cuerda y la manija de emergencia	17		
Fije la ménsula de la puerta	18-19		
Conecte el brazo de la puerta al trole	20-21		
Colocar las etiquetas de advertencia	21		
Instalar el control de la puerta	22		
Instale la Protector System®	23-25		
Requisitos para la instalación eléctrica	26		
Alineación de los sensores de reversa de seguridad	27		

## INTRODUCCIÓN

### Revisión de los símbolos y términos de seguridad

Este abridor de puerta de cochera ha sido diseñado y probado para un funcionamiento seguro, siempre y cuando se instale, se pruebe, se opere y se le dé mantenimiento como se indica en este manual, cumpliendo al pie de la letra con todas las advertencias e instrucciones generales aquí contenidas.



**ADVERTENCIA**

Mecánica



**ADVERTENCIA**

Eléctrica

**PRECAUCIÓN**

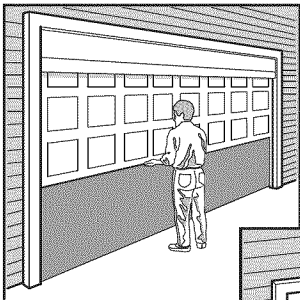
Estas advertencias y/o símbolos de seguridad que aparecen en este manual le alertarán de que existe el riesgo de **una lesión seria o de muerte** si no se siguen las instrucciones correspondientes. El peligro puede ser eléctrico (electrocución) o mecánico. Lea las instrucciones con mucho cuidado.

Cuando vea esta palabra y/o símbolo de seguridad en este manual, le alertará de que existe el riesgo de dañar la puerta de la cochera y/o el abridor si no se siguen las instrucciones correspondientes. Lea las instrucciones con mucho cuidado.

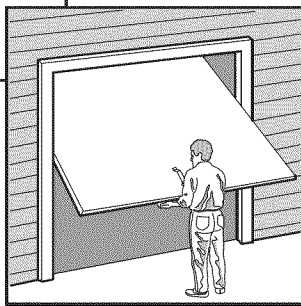
## Preparación de la puerta del cochera

Antes de comenzar:

1. Retire cualquier cuerda o cable que esté conectado a la puerta del cochera.
2. Levante la puerta hasta la mitad de su recorrido. Suelte la puerta. Si está equilibrada, deberá mantenerse totalmente en esa posición con sólo el soporte de los resortes.
3. Suba y baje la puerta para ver si se atora con algo o si se traba. Si su puerta se atora o se traba, o no está equilibrada, llame a un técnico especializado en sistemas de puertas.
4. Revise el cierre en el parte de abajo de la puerta. El espacio entre la base de la puerta y el piso no debe exceder 6 mm (1/4 pulg.). De no ser así, el sistema de reversa de seguridad no va a funcionar debidamente.
5. El abridor se debe instalar por encima del centro de la puerta. Si existe algún resorte de tensión o placa de apoyo en el paso de la ménsula del cabezal, se puede instalar hasta a 1.2 m (4 pies) a la derecha o a la izquierda del centro de la puerta. Vea la página 12.



Puerta seccional



Puerta de una sola pieza

## ⚠️ ADVERTENCIA

Para evitar una LESIÓN GRAVE O INCLUSO LA MUERTE:

- SIEMPRE llame a un técnico especializado en sistemas de puertas si la puerta del cochera se atasca, atora o si está desequilibrada. Es posible que una puerta de garaje que no esté bien equilibrado no retroceda cuando se requiera.
- NUNCA intente aflojar, mover ni ajustar la puerta de su cochera, los resortes de la puerta, los cables, las poleas, las ménsulas ni el herraje, pues TODOS estos elementos están bajo una tensión EXTREMA.
- Desarme TODOS los seguros y retire TODAS las cuerdas conectadas a la puerta de el cochera ANTES de instalar y opere el abridor para evitar que estas se enreden.

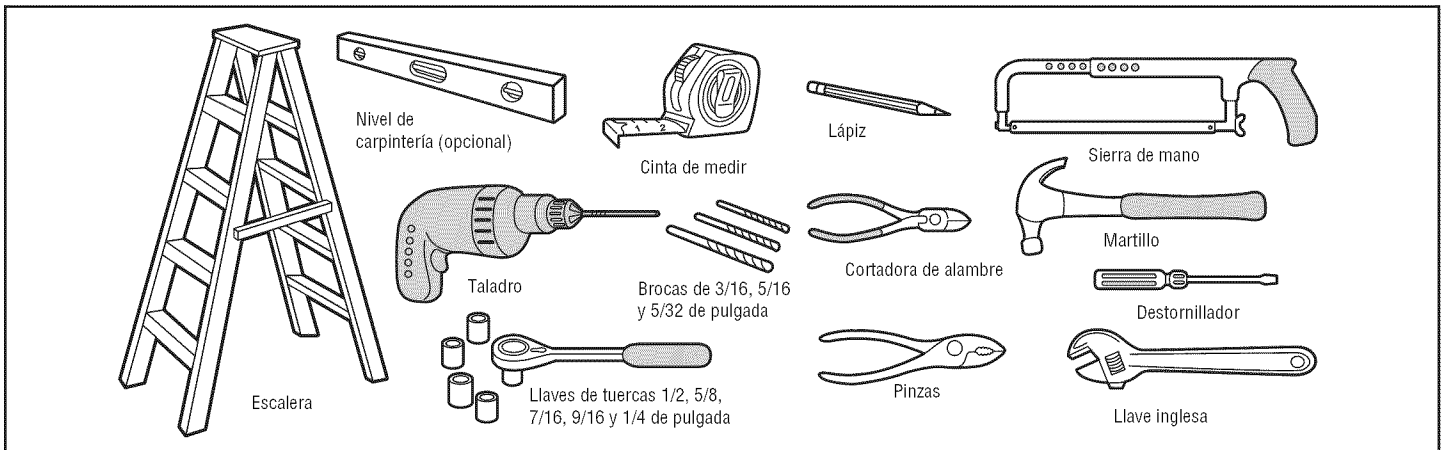
## PRECAUCIÓN

Para evitar daños a la puerta y al abre-puertas:

- SIEMPRE desarme las cerraduras ANTES de instalar y/o de operar el abre-puertas.
- SOLAMENTE opere el abre-puertas de garaje con corriente de 120 V, 60 Hz para evitar su mal funcionamiento y que el abridor se dañe.

## Herramientas necesarias

Durante el montaje, instalación y ajuste del abre-puertas, las instrucciones e indicarán usar las herramientas que aparecen en la siguiente ilustración.



## Planificación

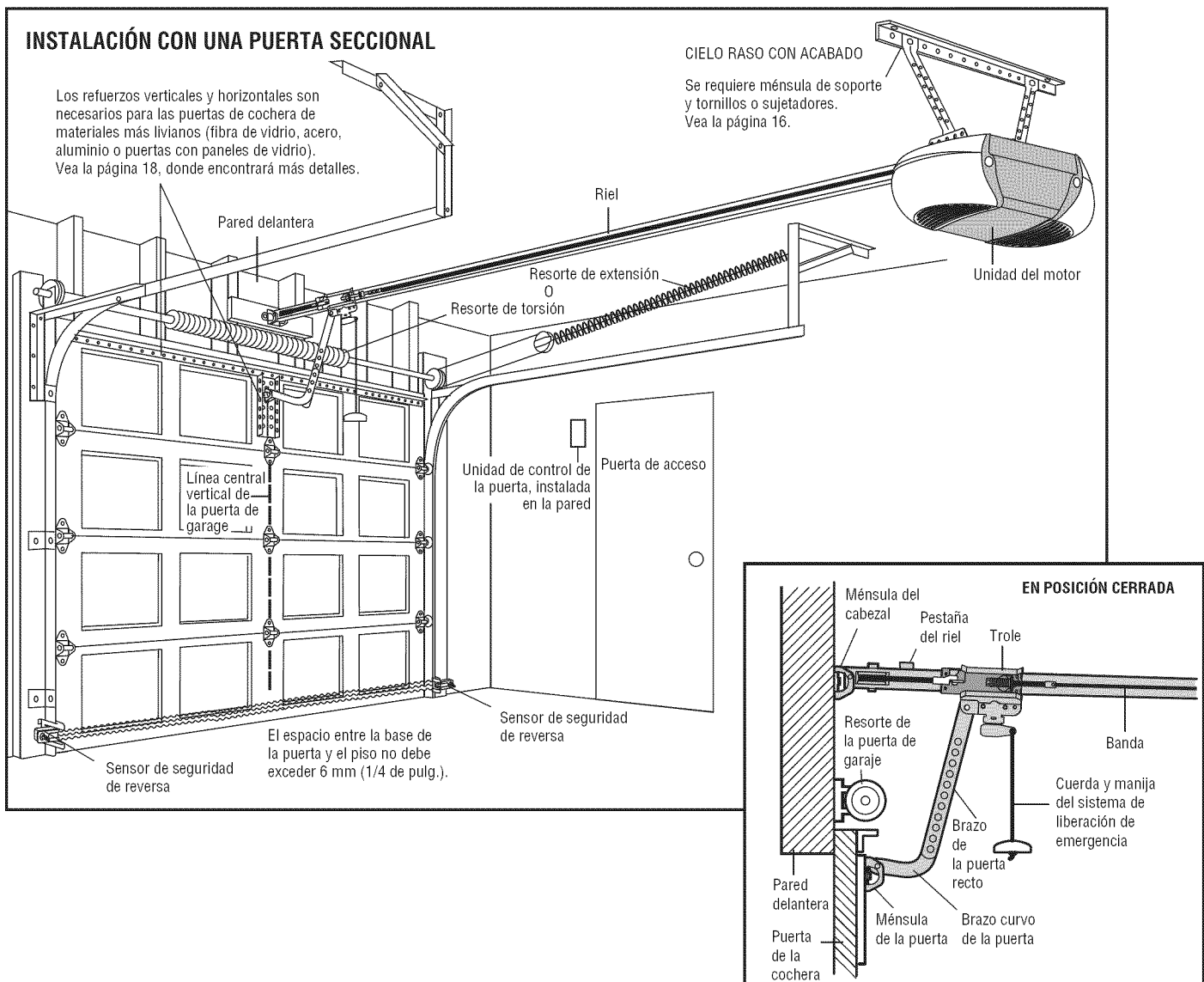
Identifique la altura y el tipo de puerta de cochera que tiene. Revise el área de su cochera y observe si alguna de las siguientes instalaciones corresponden a la suya. Elementos adicionales que posiblemente necesite. Así que tal vez sea conveniente tener esta hoja y las ilustraciones correspondientes a la mano cuando inicie la instalación de su abridor. Dependiendo de sus necesidades individuales, es posible que en algunos casos vayan a necesitar materiales o herramientas que no se incluyen con este producto.

- Instalación Paso 1 – Observe la pared o el cielo raso justo arriba de la puerta de cochera. La ménsula del cabezal debe de estar firmemente sujeta a los soportes de la estructura.
- Instalación Paso 5 – ¿Si el plafón o cielo raso de su cochera tiene acabado? Es posible que necesite una ménsula de soporte y/o más pernos y tornillería para la instalación.
- Instalación Paso 12 – Dependiendo del tipo de construcción de su cochera, es posible que necesite ménsulas de extensión o bloques de madera para instalar los sensores.
- Instalación Paso 12 – El montaje en el piso del sensor que activa el sistema de retroceso de seguridad podría requerir piezas que no se incluyen.

- ¿Hay otra puerta que dé acceso a la cochera? Si no es así, será necesario contar con el sistema de llave de emergencia Modelo 139.53702. Vea la página de Accesorios.
- Observe el punto donde la puerta hace contacto con el piso. El espacio entre la base de la puerta y el piso no debe exceder 6 mm (1/4 pulg.). De no ser así, el sistema de reversa de seguridad no va a funcionar debidamente. Vea Ajustes, Paso 2. Va a ser necesario reparar ya sea el piso o la puerta.

## INSTALACIÓN CON UNA PUERTA SECCIONAL

- Si tiene una puerta de acero, aluminio, fibra de vidrio o con paneles de vidrio, necesitará refuerzos verticales y horizontales en la puerta (Instalación, Paso 8).
- El abridor se debe instalar por encima del centro de la puerta. Si existe algún resorte de tensión o placa de apoyo en el paso de la ménsula del cabezal, se puede instalar hasta a 1.2 m (4 pies) a la derecha o a la izquierda del centro de la puerta. Vea Instalación Paso 1 y 8.
- Si su puerta es de más de 2.13 m (7 pies) de altura, vea Extensiones de riel en la sección de Accesorios.



## Planificación (continuación)

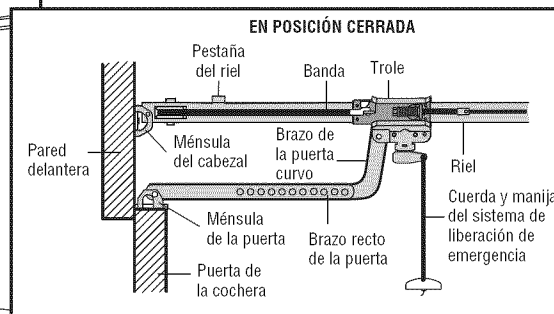
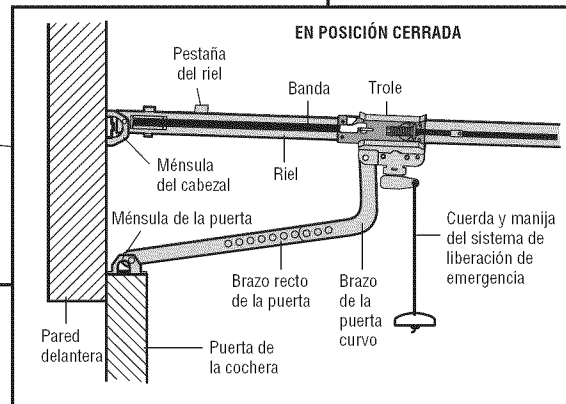
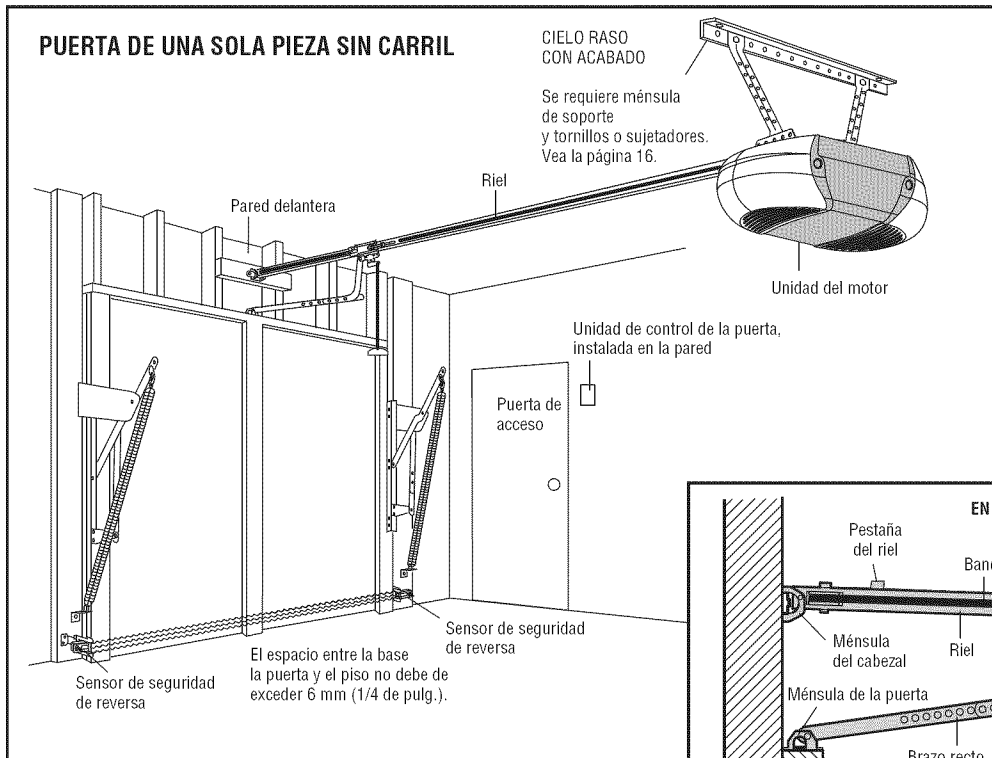
### INSTALACIÓN CON PUERTAS DE UNA SOLA PIEZA

- Generalmente una puerta de una sola pieza no requiere de refuerzos adicionales. Si usted tiene una puerta de material liviano y quiere reforzarla, consulte la información respecto a puertas seccionales, contenida en Instalación, Paso 8.
- Dependiendo del diseño de su puerta, tal vez necesite piezas o sujetadores adicionales para la ménsula de la puerta (Paso 10).

## ⚠ ADVERTENCIA

Sin un sistema de reversa de seguridad que funcione debidamente, al cerrar la puerta del garaje se corre el riesgo de que las personas (y en particular los niños pequeños) sufran **LESIONES GRAVES O INCLUSO LA MUERTE**.

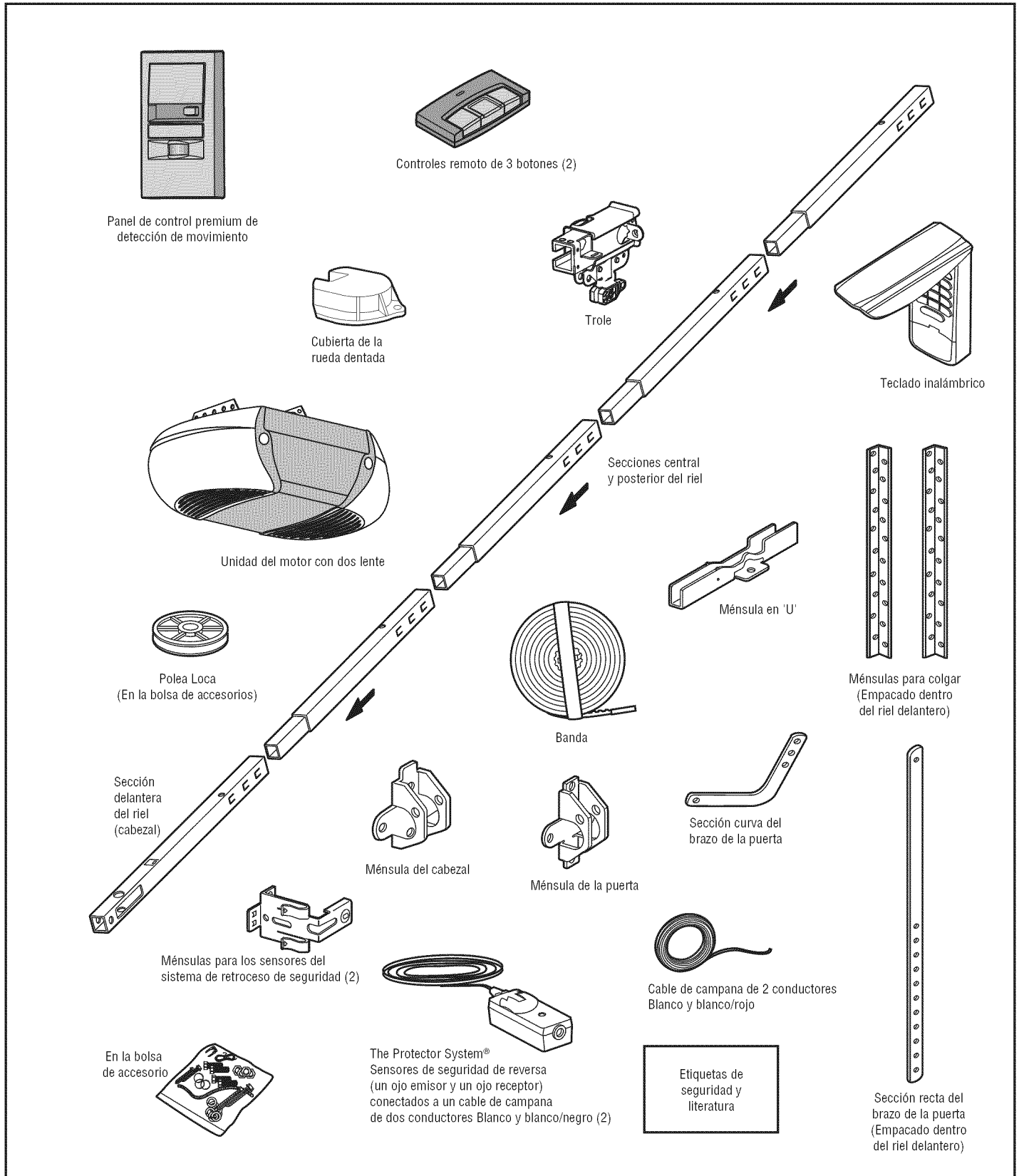
- El espacio entre la base de la puerta y el piso **NO DEBE** exceder 6 mm (1/4 pulg.). De no ser así, el sistema de reversa de seguridad no va a funcionar debidamente.
- El piso o la puerta del garaje **SE DEBE** reparar para eliminar este espacio.



## Inventario de las cajas de cartón

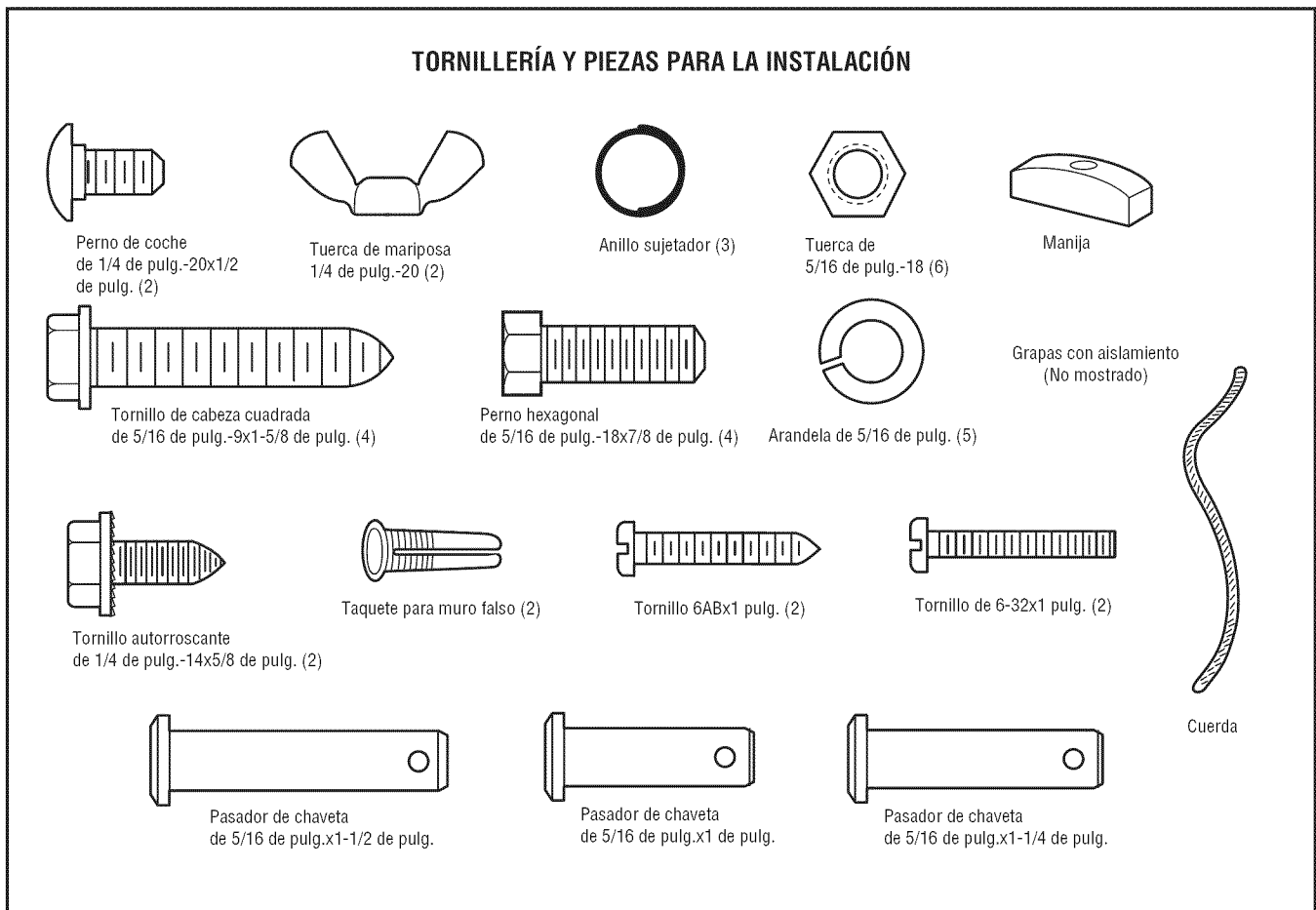
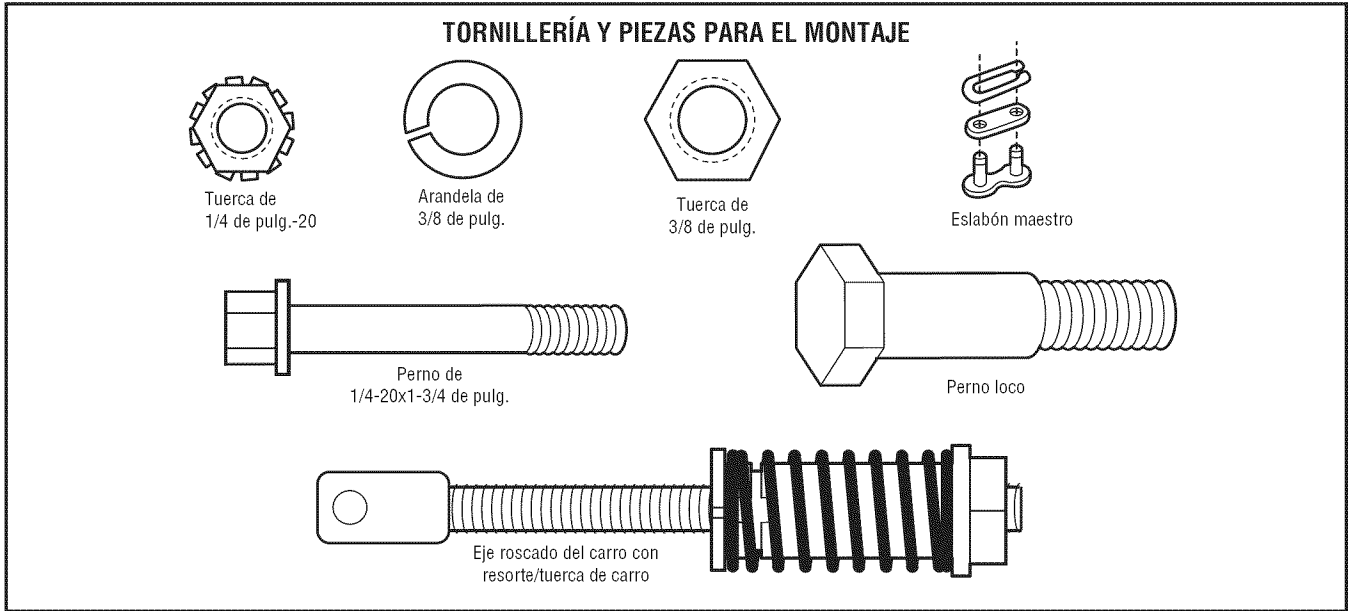
Su abridor viene empacado en una caja de cartón que contiene el motor y las piezas que se muestran en la siguiente ilustración. Tome nota de que los accesorios dependerán del modelo que haya comprado. Si falta alguna pieza, revise con cuidado el material de empaque.

Toda la tornillería y las piezas necesarias para el montaje e instalación de su puerta se ilustran en la siguiente página. Conserve la caja y los materiales de empaque hasta que la instalación y el ajuste se hayan terminado.



## Inventario de piezas

Antes de la instalación, organice todas las piezas en grupos como se muestra en la siguiente ilustración.



## MONTAJE, PASO 1

### Monte el Riel e instale el Trole

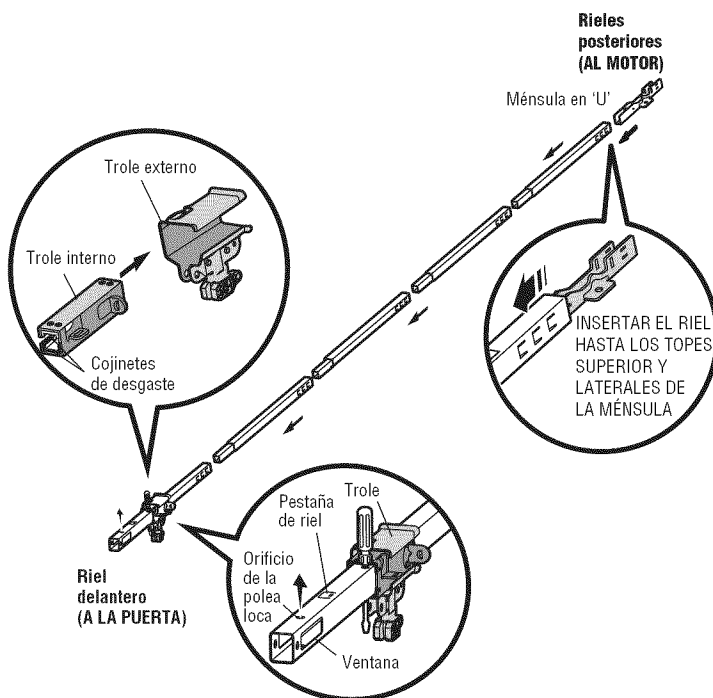
No encienda ni use el abridor de la puerta de cochera hasta que llegue al paso de la instalación correspondiente, de otra manera corre el riesgo de complicar el proceso de instalación.

El riel delantero tiene una "ventana" en el extremo de puerta. El riel delantero tiene un pestaña. Esta pestaña del riel DEBEN estar encima del riel cuando están ensamblado.

1. Quite el brazo recto de la puerta empacado dentro del riel delantero y póngalos a un lado para usarlos en el Paso 5 y 9 de la Instalación. **NOTA:** Para no sufrir una LESIÓN al desempacar el riel, mueva con cuidado el brazo recto de la puerta que está almacenado dentro de la sección de riel.
2. Alinee las secciones del riel sobre una superficie plana exactamente como se indica y luego deslice los extremos más pequeños dentro de los más grandes. Las lengüetas a lo largo del lado se trabarán en posición.
3. Coloque el motor sobre el material de empaque para proteger la cubierta del mismo y apoye el extremo posterior del riel encima. Para que le resulte más cómodo, ponga algún tipo de apoyo bajo el extremo delantero del riel.
4. Como tope de carro temporal, inserte un destornillador en el agujero a 25.4 cm (10 pulgadas) de la parte delantera del carril como se muestran.
5. Revise y cerciórese de que haya 4 cojinetes de desgaste dentro del trole interno, estos cojinetes son de plástico. Si los cojinetes se han soltado durante el transporte, revise todo el material de empaque. Ponga los cojinetes de desgaste en su lugar como se indica.
6. Deslice el trole a lo largo del riel desde el extremo posterior hacia el destornillador.
7. Deslice del riel en la ménsula en 'U', hasta los toques que sobresalen en la parte superior y a los lados de la ménsula.

## PRECAUCIÓN

Para prevenir LESIONES por presión, mantenga las manos y los dedos alejados de las uniones mientras se ensambla el riel.



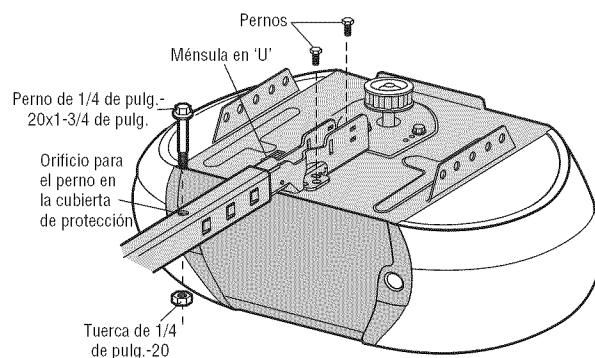
## MONTAJE, PASO 2

### Fije el riel a la unidad del motor

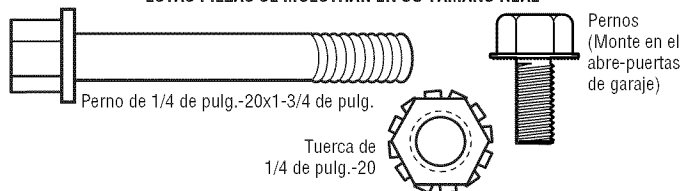
1. Coloque un perno de 1/4-20x1-3/4 de pulg. dentro del orificio de la cubierta de protección que se encuentra en el extremo posterior del riel, como se indica en la ilustración. Apriete bien el perno con tuerca de 1/4 de pulg.-20. **NO ajuste demasiado.**
2. Quite los pernos de la parte superior del motor.
3. Use el cartón para soportar el frente del riel.
4. Ponga la ménsula en 'U' sobre el motor con el lado plano hacia abajo y alinee los orificios de la ménsula con los orificios de los pernos.
5. Ajustar la ménsula en "U" con pernos quitados anteriormente; SIN usar herramientas eléctricas. El uso de herramientas eléctricas podría dañar permanentemente el abridor de puerta de cochera.

## PRECAUCIÓN

Para evitar daños GRAVES en el abre-puertas, utilice SOLAMENTE los pernos/sujetadores que vienen montados en la parte superior del abridor.



ESTAS PIEZAS SE MUESTRAN EN SU TAMAÑO REAL

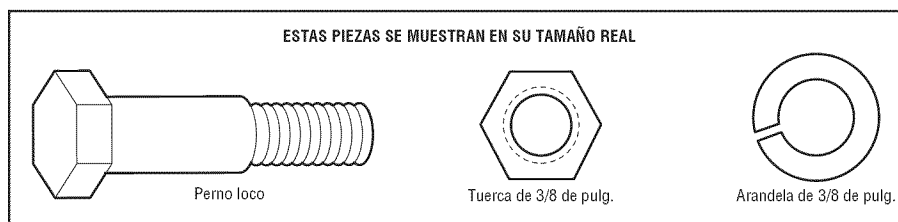
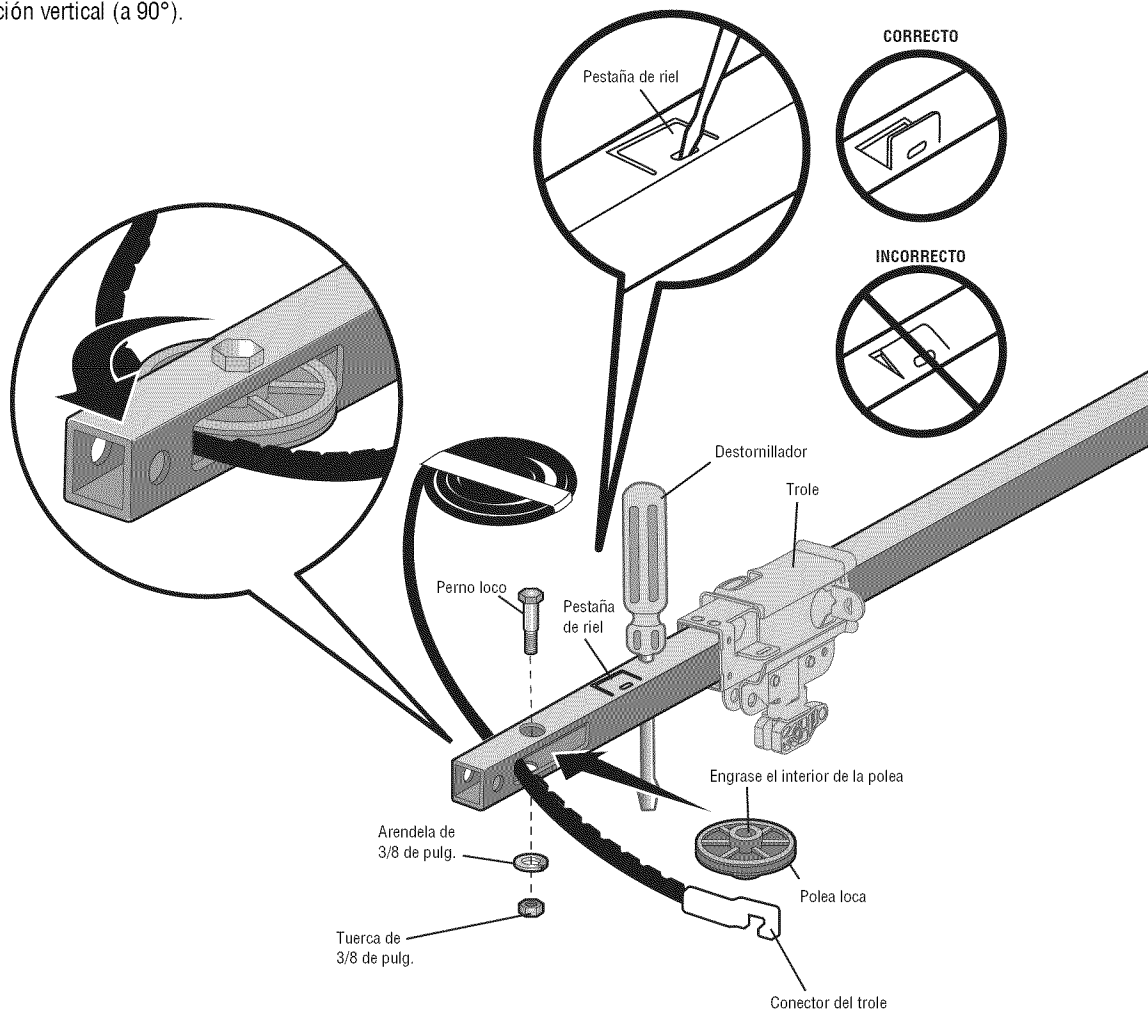




## MONTAJE, PASO 3

### Instale la polea loca

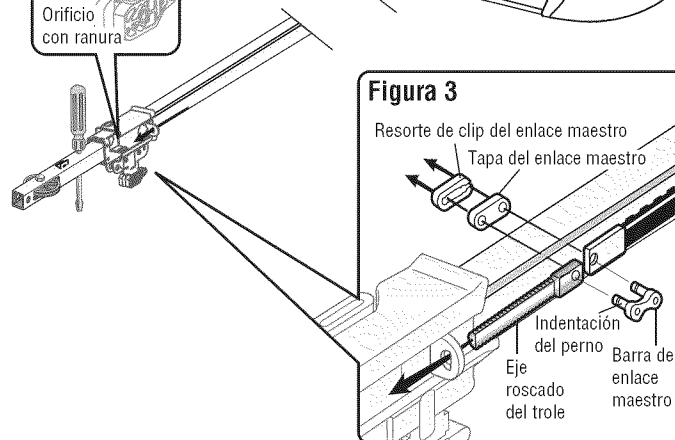
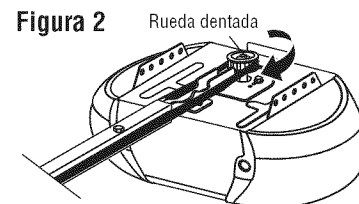
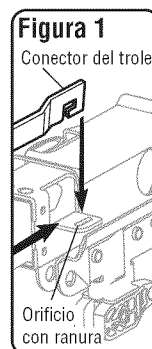
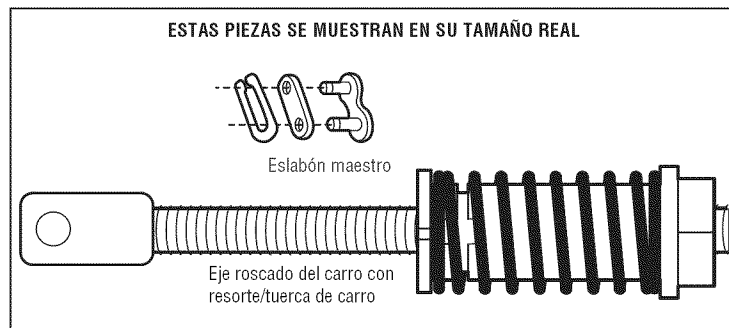
1. Coloque la correa al lado del riel, como se muestra. Sujete el extremo con el conector del trole enganchado y pase aproximadamente 30 cm (12 pulgadas) de correa por la ventana. Mantenga el lado estriado hacia el riel y deje que cuelgue hasta Montaje, Paso 4.
2. Retire la cinta de la polea loca. El interior del centro debe estar engrasado. Si se ha secado, vuelva a engrasarlo para asegurar que la operación sea adecuada.
3. Coloque la polea loca dentro de la ventana como se muestra en la ilustración.
4. Inserte el perno loco desde la parte superior y a través del riel y la polea. Apriete con una arandela y una tuerca de 3/8 de pulg. por debajo del riel hasta que la arandela quede comprimida.
5. Gire la polea para asegurarse de que rote libremente.
6. Ubicar la pestaña del riel. La pestaña del riel se encuentra entre el perno de la polea loca y el trolley, en la parte delantera del riel. Utilizar un destornillador de punta plana para levantar la pestaña hasta que quede en posición vertical (a 90°).



## MONTAJE, PASO 4

### Instale la correa

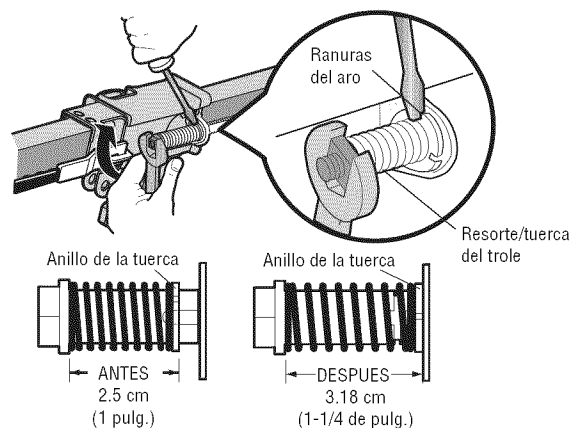
1. Coloque la correa alrededor de la polea y tírela hacia el trole. El lado estriado debe estar en contacto con la polea.
2. Enganche el conector del trole en la ranura de retención del carro como se muestra en la ilustración (Figura 1).
3. Con el trole contra el destornillador, distribuya el resto de la correa a lo largo del riel hacia el motor y alrededor de la rueda dentada (Figura 2). Los dientes de la rueda dentada deben estar conectados a la correa.
4. Compruebe que la correa no esté torcida. Conecte el eje roscado del trole al enlace maestro (Figura 3).
  - Empuje las clavijas del enlace maestro por los orificios en el extremo de la correa y el eje roscado del trole.
  - Empuje la tapa del enlace maestro sobre los pernos y las muescas de los pernos.
  - Deslice el resorte de sujeción sobre la tapa y sobre las muescas de los pernos hasta que los dos pernos estén bien colocados y seguros en su lugar.
5. Quite la tuerca con resorte del trole del eje roscado.
6. Introduzca el eje roscado del trole por el orificio del trole.



## MONTAJE, PASO 5

### Ajuste de la correa

1. Con la mano, enrosque la tuerca del carro con resorte en el eje roscado hasta que esté ajustada firmemente contra el carro. No utilice ninguna herramienta. Quite el destornillador.
2. Introduzca la punta de un destornillador en una de las ranuras del aro de la tuerca y apóyelo firmemente contra el carro.
3. Ajuste la tuerca del carro con resorte con una llave regulable o con una llave de boca ancha de 7/16", aproximadamente un cuarto de giro, hasta que se suelte el resorte y el aro de la tuerca quede presionado contra el carro. Esto regula el resorte para la óptima tensión de la correa.



## MONTAJE, PASO 6

### Instale la cubierta de la rueda dentada

1. Coloque la cubierta de la rueda dentada sobre la rueda dentada del abre-puertas del garaje y sujete con los tornillos hexagonales de 8 x 3/8 de pulg. incluidos.

Ha finalizado el ensamblado de su abre-puertas de garaje. Leer las advertencias siguientes antes de proceder con la sección de instalación.

ESTAS PIEZAS SE MUESTRAN EN SU TAMAÑO REAL

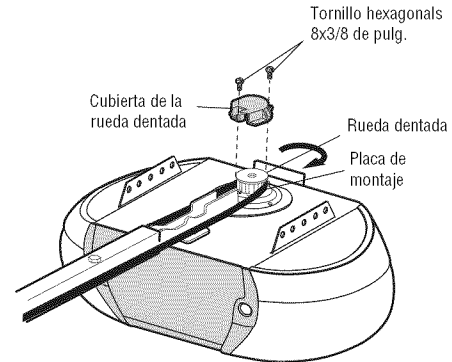


Tornillo hexagonal No 8x3/8 de pulg.  
(Empacar con el  
cuberita de portacadena)

## ⚠ ADVERTENCIA

Para evitar posibles LESIONES GRAVES en los dedos causadas por las partes móviles del abridor de la puerta de cochera:

- SIEMPRE tenga las manos lejos de la rueda dentada mientras el abridor esté en funcionamiento.
- Ponga bien la cubierta de la rueda dentada ANTES de hacer funcionar el abridor.



## INSTALACIÓN

### INSTRUCCIONES IMPORTANTES DE INSTALACIÓN

## ⚠ ADVERTENCIA

### Para reducir el riesgo de LESIONES GRAVES o la MUERTE:

1. LEA Y RESPETE TODAS LAS ADVERTENCIAS Y LAS INSTRUCCIONES DE INSTALACIÓN.
2. Instale el abridor de la puerta de cochera solamente en puertas de garaje que estén bien equilibrados y lubricados. Si la puerta no está debidamente equilibrado es posible que no retroceda cuando así se requiera y podría ocasionar una LESIÓN GRAVE O INCLUSO LA MUERTE.
3. TODAS las reparaciones de los cables, resortes y otras partes DEBEN ser realizadas por un técnico especializado en sistemas de puertas, ANTES de instalar el abridor.
4. Desarme TODOS los seguros y retire TODAS las cuerdas conectadas a la puerta de el cochera ANTES de instalar el abridor para evitar que estas se enreden.
5. Instale el abridor de la puerta de cochera a una distancia de 2.13 m (7 pies) o más del piso.
6. Monte la manija de desenganche de emergencia de modo que esté al alcance, pero con una altura mínima de 1.8 m (6 pies) del piso para evitar el contacto con los vehículos y que se suelte accidentalmente.
7. No conecte NUNCA el abridor de la puerta del garaje a una fuente de energía eléctrica hasta que se le indique.
8. NUNCA lleve puestos relojes, anillos o prendas sueltas durante la instalación o funcionamiento del abridor, ya que podrían atorarse en la puerta del garaje o en los mecanismos del abre-puertas.
9. Instale el control de la puerta de cochera montado en pared:
  - de manera que quede a la vista desde la puerta de la cochera.
  - fuera del alcance de los niños y a una altura mínima de 5 pies (1.5 m).
  - lejos de TODAS las partes móviles de la puerta.
10. Coloque la etiqueta de advertencia del riesgo de quedar atrapado en la pared cerca del control de la puerta de cochera.
11. Coloque la etiqueta de prueba de reversa de seguridad/desenganche de emergencia a plena vista en la parte interior de la puerta de cochera.
12. Pruebe el sistema de reversa de seguridad al terminar la instalación. La puerta del garaje DEBE retroceder al entrar en contacto con un objeto de 3.8 cm (1-1/2 de pulg.) de altura (o de 5 x 10 cm [2 x 4 pulg.] acostado en el piso).
13. Para evitar LESIONES PERSONALES GRAVES o la MUERTE por electrocución, desconectar TOTALMENTE la energía eléctrica ANTES de hacer CUALQUIER trabajo de reparación o mantenimiento.
14. NO active la función del temporizador de cierre en puertas de garaje de una sola pieza o en puertas batientes. Use esta función ÚNICAMENTE al operar puertas seccionales.

# INSTALACIÓN PASO 1

## Determinar la localización de soporte de cabecera

### ⚠ ADVERTENCIA

Para evitar una LESIÓN GRAVE O INCLUSO LA MUERTE:

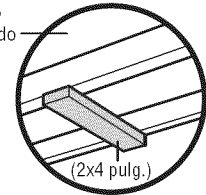
- La ménsula del cabezal DEBE quedar RÍGIDAMENTE sujeta al soporte estructural en la pared delantera o en el cielo raso, de no ser así es posible que la puerta del cochera no retroceda cuando se requiera. NO instale la ménsula del cabezal en muros falsos.
- DEBE usar sujetadores para concreto si el montaje de la ménsula del cabezal o del pedazo de madera de 5 x 10 cm (2 x 4 pulg.) se hace en mampostería.
- NUNCA trate de aflojar, mover, ni ajustar la puerta del garaje, los resortes, los cables, las poleas, las ménsulas ni el herraje, pues TODAS estas piezas están bajo una tensión EXTREMA.
- SIEMPRE llame a un técnico especializado en sistemas de puertas si la puerta del garaje se atasca, atora o si está desequilibrada. Es posible que una puerta de cochera que no esté equilibrada NO retroceda cuando se requiera.

Los procedimientos de instalación varían según el tipo de puerta de cochera. Siga las instrucciones que correspondan a su puerta.

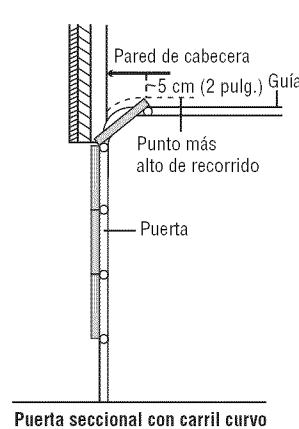
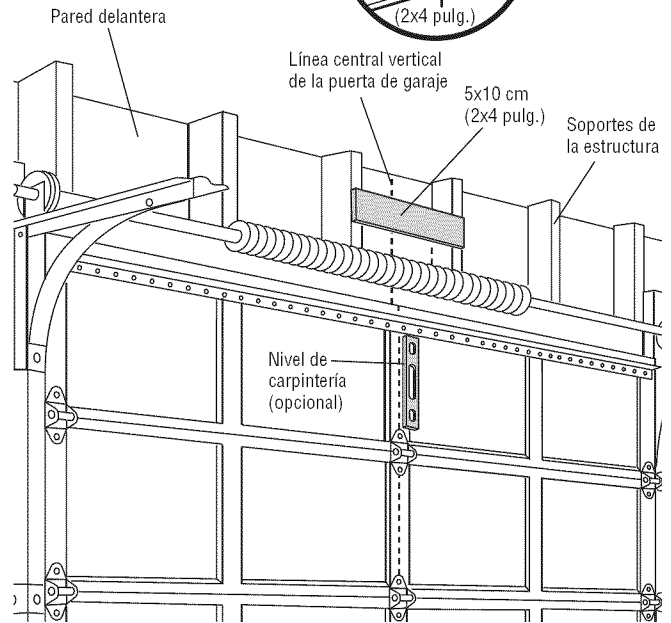
1. Cierre la puerta y marque la línea central vertical del interior de la puerta del cochera.
2. Continúe marcando esta línea hasta llegar a la pared delantera, que se encuentra sobre la puerta. **Se puede sujetar el soporte del cabezal dentro de una distancia de 1.2 m (4 pies) a la izquierda o a la derecha del centro de la puerta solamente si estorba un resorte de torsión o placa de cojinete central. También se puede sujetar al cielo raso (vea página 13) si el espacio libre es mínimo. (Asimismo, se puede instalar en forma invertida sobre la pared si fuese necesario. Esto le dará aproximadamente 1 cm [1/2 pulg.] de espacio).** Si necesita instalar la ménsula del cabezal en un pedazo de madera de 3.8 cm (ya sea en la pared o en el cielo raso), use tornillos de cabeza cuadrada o pijas (no se incluyen) para sujetar dicho pedazo de madera a los soportes estructurales, como se indica aquí y en la página 13.
3. Abra la puerta hasta el punto más alto de su recorrido como se muestra. Marque una línea horizontal que intersecte en la pared delantera y a del punto más alto del recorrido:
  - 5 cm (2 pulg.) por encima del punto más alto para las puertas seccionales y para las puertas de una pieza con carril.
  - 20 cm (8 pulg.) por encima del punto más alto para las puertas de una pieza sin carril.

A esta altura, el extremo superior de la puerta tendrá suficiente espacio para su recorrido. **NOTA:** Si la cantidad total de centímetros excede la altura disponible en su garaje, use la mayor altura posible o consulte la página 13 para ver la instalación en el cielo raso.

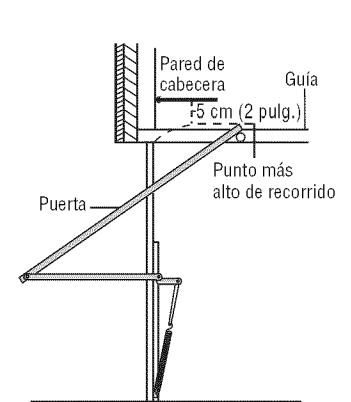
Cielo raso sin acabado



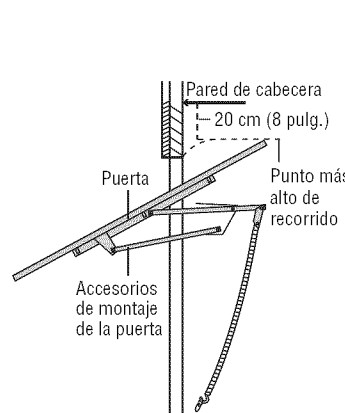
INSTALACIÓN OPCIONAL DE LA MÉNSULA DEL CABEZAL EN EL CIELO RASO



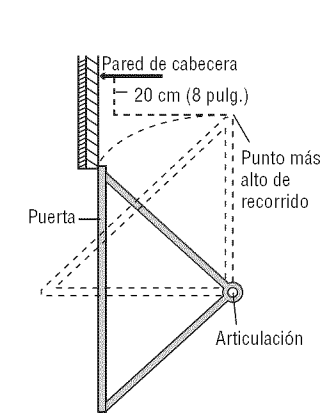
Puerta seccional con carril curvo



Puerta de una sola pieza con carril horizontal



Puerta de una pieza sin riel guía: accesorios de montaje



Puerta de una pieza sin riel guía: accesorios de articulación

## INSTALACIÓN PASO 2

### Instalación del soporte de travesaño

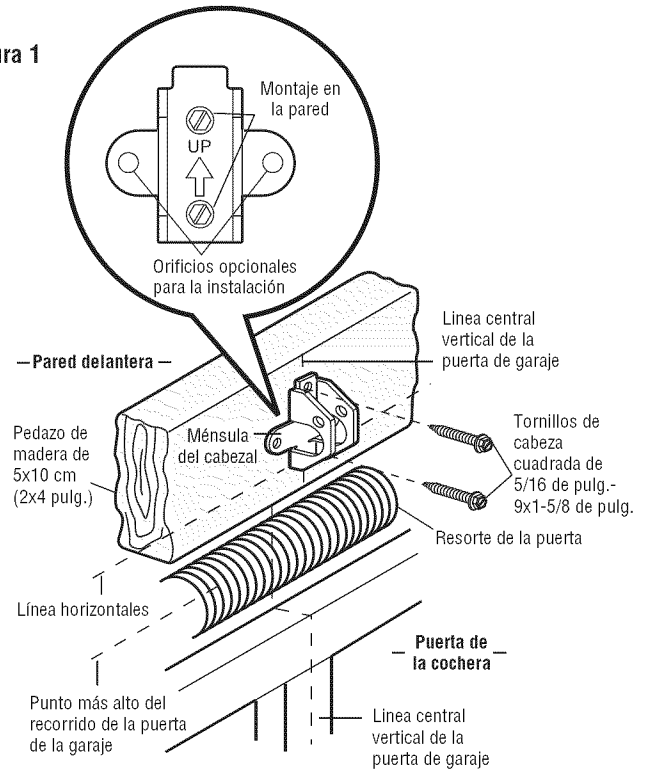
La ménsula del cabezal se puede sujetar a la pared sobre la puerta del garaje o en el cielo raso. Siga las instrucciones que sean las más adecuadas para las necesidades de su garaje. **No instale la ménsula del cabezal en un muro falso. Si va a fijar la ménsula del cabezal a ladrillo o mampostería, asegúrese de utilizar sujetadores de cemento (no se incluyen).**

### INSTALACIÓN DE LA MÉNSULA DEL CABEZAL EN LA PARED DELANTERA

1. Coloque la ménsula sobre la línea central vertical con el borde inferior sobre la línea horizontal como se muestra en la ilustración (con la flecha de la ménsula apuntando hacia el cielo raso).
2. Marque los agujeros superior e inferior de la ménsula. Taladre los orificios con una broca de 3/16 de pulg. y sujete la ménsula firmemente al soporte de la estructura con la pernería que se incluye.



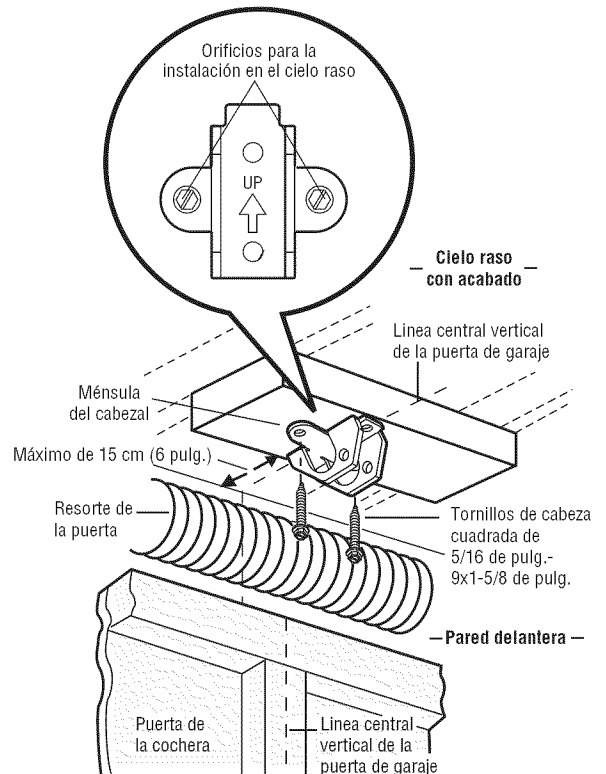
Figura 1



### INSTALACIÓN DE LA MÉNSULA DEL CABEZAL EN EL CIELO RASO

1. Continúe marcando la línea central vertical sobre el cielo raso como se muestra en la ilustración.
2. Coloque la ménsula en el centro de la línea a no más de 15 cm (6 pulg.) de la pared. Asegúrese de que la flecha de la ménsula apunte en dirección opuesta a la pared. La ménsula se puede instalar pegada al cielo raso cuando el espacio es muy reducido.
3. Marque dónde taladrará los orificios laterales. Taladre los orificios con una broca de 3/16 de pulg. y sujete la ménsula firmemente al soporte de la estructura con la pernería que se incluye.

Figura 2



## INSTALACIÓN PASO 3

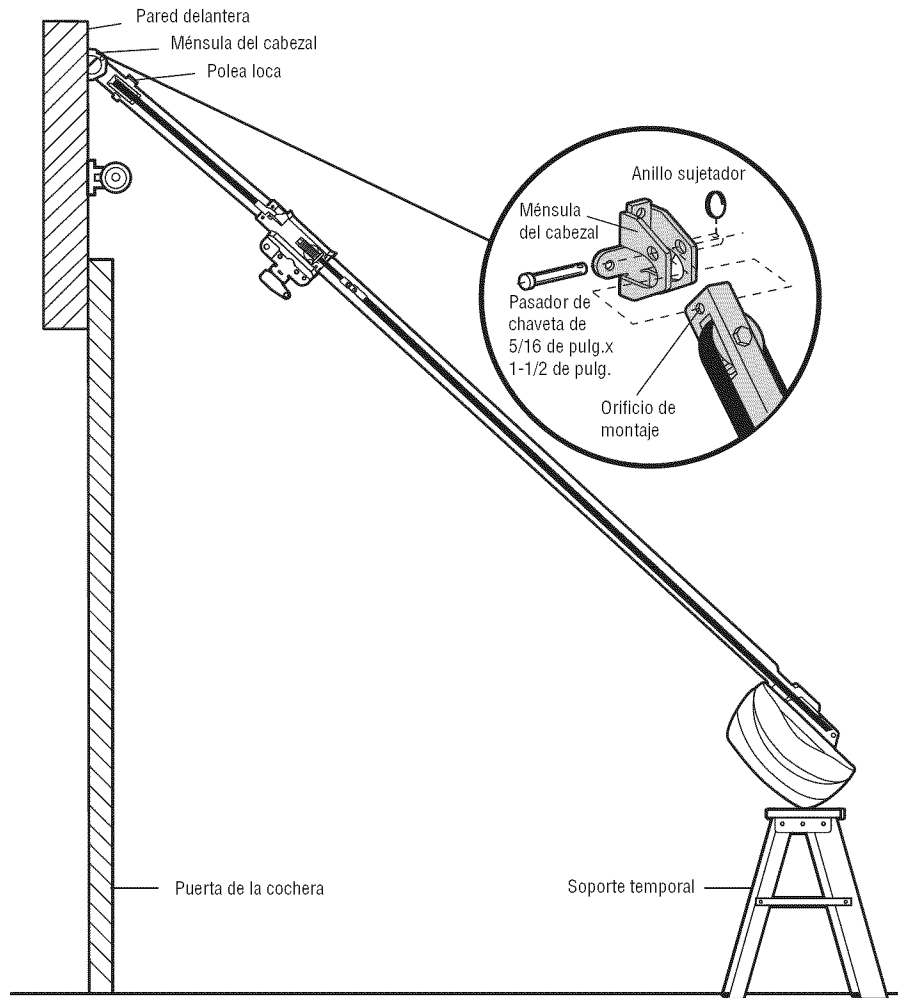
### Coloque el riel en la ménsula del cabezal

1. Coloque el abre-puertas sobre el piso de la garaje debajo de la ménsula del cabezal. Use el material del empaque como base para protegerlo.

**NOTA:** Si el resorte de la puerta está obstruido, va a necesitar ayuda.

*Otra persona tendrá que sostener el abridor firmemente sobre un soporte temporal para permitir que el riel pueda librar el resorte.*

2. Coloque la ménsula del riel contra la ménsula del cabezal.
3. Alinee los orificios de las ménsulas y júnte las con un pasador de chaveta como se muestra en la ilustración.
4. Introduzca un anillo de seguro para terminar la unión.



## INSTALACIÓN PASO 4

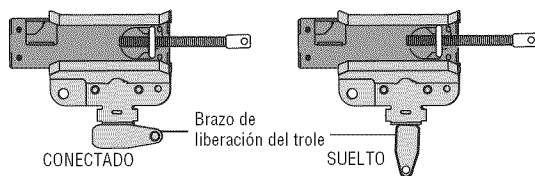
### Coloque el abridor

Siga las instrucciones correspondientes al tipo de puerta de su garaje, como se muestra en la ilustración.

#### PUERTA SECCIONAL O PUERTA DE UNA SOLA PIEZA CON RIEL

Un pedazo de madera de 5x10 cm (2x4 pulg.) le será de ayuda a determinar la distancia ideal entre la puerta y el riel.

1. Ponga el abre-puertas sobre la escalera. Si la escalera no es lo suficientemente alta, va a necesitar ayuda.
2. Abra completamente la puerta y coloque el pedazo de madera de 5x10 cm (2x4 pulg.) en la sección superior, de manera que quede debajo del riel (Figura 1).
3. Si el panel superior golpea el carro al levantar la puerta, jale hacia abajo el brazo de desenganche del carro para desconectar las secciones internas y externas del mismo. Deslice el carro externo hacia el motor. El carro puede permanecer desconectado hasta el final del Paso 12.



#### PUERTA DE UNA SOLA PIEZA SIN RIEL

Coloque un pedazo de madera de 5x10 cm (2x4 pulg.) sobre su lado de ayuda al determinar la distancia ideal entre la puerta y el riel.

1. Ponga el abridor sobre la escalera. Si la escalera no es lo suficientemente alta, va a necesitar ayuda.
2. Abra completamente la puerta y coloque un pedazo de madera de 5x10 cm (2x4 pulg.) sobre su lado en la sección superior, de manera que quede debajo del riel (Figura 2).
3. La parte superior de la puerta debe estar alineada con la parte superior de la unidad del motor. No instale el abridor a más de 10 cm (4 pulg.) por encima de este punto.

## PRECAUCIÓN

Para evitar que la puerta del garaje sufra daños, apoye el riel del abrepuertas de garaje sobre un pedazo de madera de 5 x 10 cm (2 x 4 pulg.) colocado en la sección superior de la puerta.

Figura 1

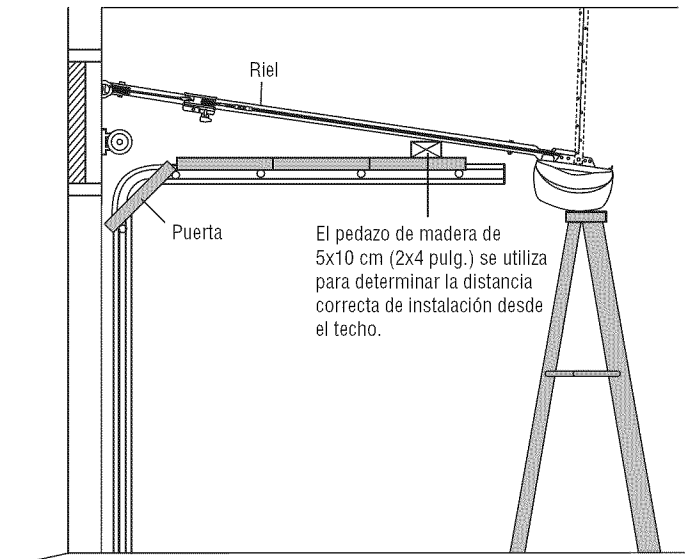
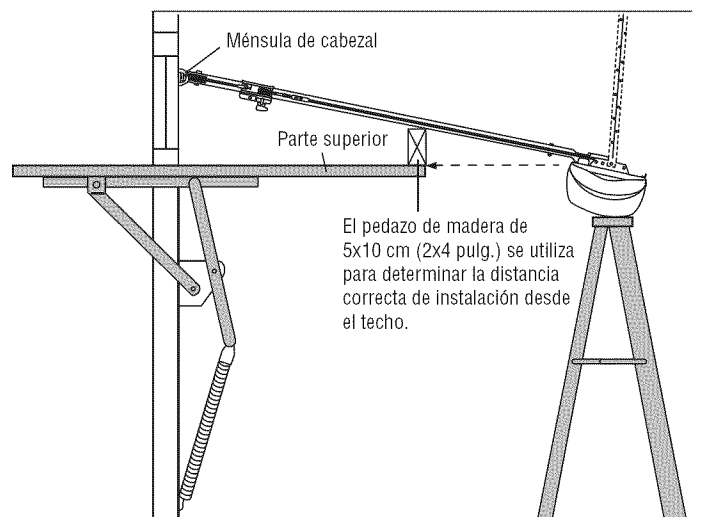


Figura 2



## INSTALACIÓN PASO 5

### Cuelgue el abridor

Se muestran tres instalaciones representativas. Quizá su instalación sea diferente. Las soportes colgantes se deben colocar en ángulo (Figura 1) para lograr un soporte rígido. En los techos acabados (Figura 2 y 3), colocar un soporte metálico robusto sobre los soportes estructurales antes de instalar el abridor. Este soporte y los accesorios no se incluyen con el abridor.

1. Mida la distancia entre cada lado de la unidad del motor y el soporte de la estructura.
2. Corte las dos partes de los soportes colgantes a la medida adecuada.
3. Taladre los orificios de 3/16 de pulg. en los soportes de la estructura.
4. Sujete un extremo de cada soporte colgante al soporte principal con tornillos tirafondo de 5/16 de pulg. -9x1-5/8 pulgadas.
5. Sujete el abridor a los soportes colgantes con pernos hexagonales de 5/16 de pulg. -18x7/8 de pulg., y sus tuercas y roldanas correspondientes.
6. Verifique que el abridor esté centrado sobre la puerta (o alineado con la ménsula del cabezal, si la ménsula no está centrada sobre la puerta).
7. Quite el pedazo de madera de 5x10 cm (2x4 pulg.). Opere la puerta manualmente. Si la puerta golpea el riel, suba la ménsula del cabezal.

**NOTA:** NO conecte el abridor a la fuente de energía eléctrica en este momento.

## ⚠ ADVERTENCIA

Para evitar la posibilidad de una LESIÓN GRAVE si se cae el abridor de la puerta de cochera, sujételo FIRMEMENTE a los soportes estructurales del garaje. Se DEBEN usar anclajes de hormigón si se instalan ménsulas en la mampostería.

Figura 1

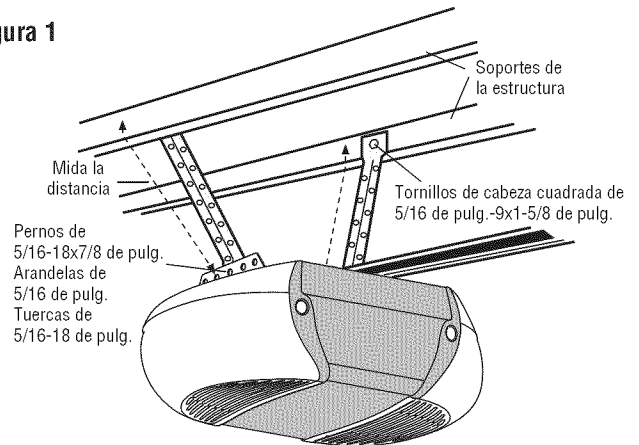


Figura 2

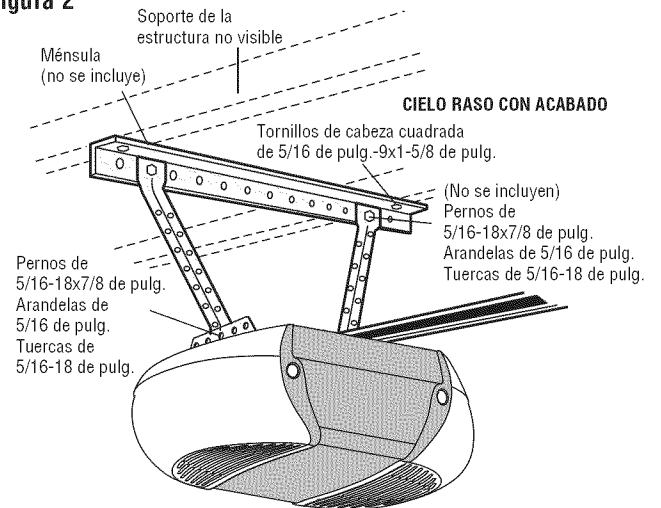
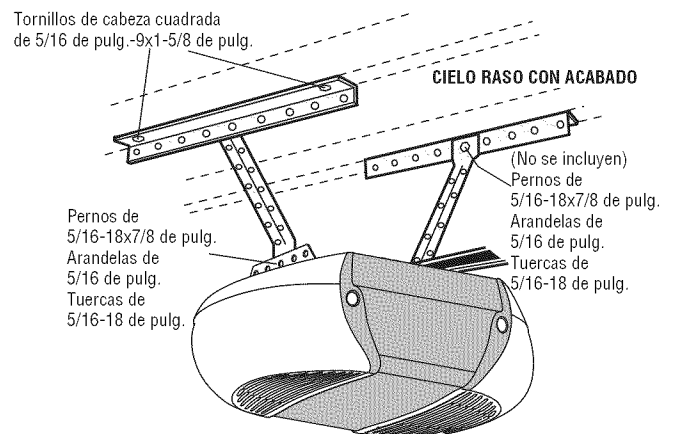
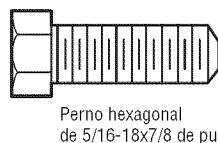
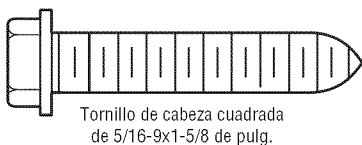


Figura 3



ESTAS PIEZAS SE MUESTRAN EN SU TAMAÑO REAL





## INSTALACIÓN PASO 6

### Instale las luces

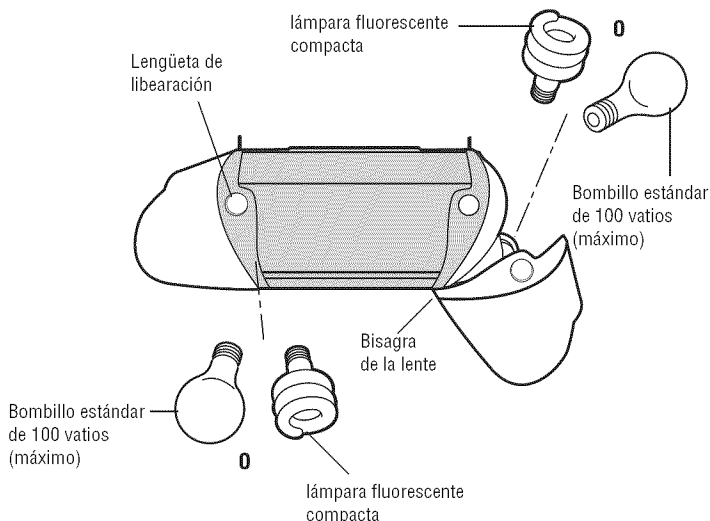
1. Oprima las lengüetas de desenganche ubicados a ambos lados de la lente. Rote la lente suavemente hacia atrás y hacia abajo hasta que la bisagra quede en la posición totalmente abierta. No quite la lente.
2. Introduzca una bombilla A19 (100 voltios máximo) incandescente o fluorescente compacta (26 voltios, equivalente a 100 voltios) en el receptáculo para la bombilla. En cuanto se conecte la electricidad, las luces se ENCENDERÁN y permanecerán encendidas por aproximadamente cuatro minutos y medio. Luego se APAGARÁN.
3. Invierta el procedimiento para cerrar la lente.
4. Si las bombillas se queman prematuramente debido a la vibración, cambiarlas por las que se usan normalmente en abridor de la puerta de cochera. Usar bombillas normales A19.

**NOTA:** El uso de bombillas de cuello corto o especiales puede sobrecalentar el panel o el receptáculo para la bombilla. No use lámparas de LED ya que pueden reducir el alcance o incluso el funcionamiento del control remoto.

## PRECAUCIÓN

Para evitar un posible SOBRECALENTAMIENTO del portabombillas:

- Use ÚNICAMENTE bombillas incandescentes A19 (100 voltios máximo) o fluorescentes compactas (26 voltios máximo).
- NO utilice bombillas de más de 100 W.
- NO use bombillas fluorescentes compactas de más de 26 Voltios (equivalente a 100 Voltios).
- NO utilice bombillas halógenas.
- NO utilice bombillas de cuello corto ni de tipo especial.



## INSTALACIÓN PASO 7

### Coloque la Manija y la Cuerda de Emergencia

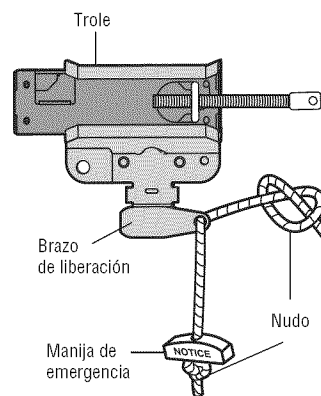
1. Inserte un extremo de la cuerda de desenganche de emergencia a través de la manija. Verifique la palabra "NOTICE" (aviso) sea legible. Asegúrela con un nudo por lo menos a 2.5 cm (1 pulgada) del extremo de la cuerda de desenganche de emergencia.
2. Inserte el otro extremo de la cuerda de desenganche de emergencia a través del orificio del brazo de desenganche del carro. Instale la cuerda de emergencia donde pueda ser alcanzado, al menos a 6 pies (1.83 m) sobre el nivel piso, donde no esté en riesgo de entrar en contacto con vehículos y fílelo con un nudo.

**NOTA:** Si es necesario cortar la cuerda de desenganche de emergencia, queme el extremo cortado con un fósforo o con un encendedor para evitar que el cordón se desate. Asegúrese de que la cuerda de desenganche de emergencia y la manija estén encima de la parte superior de los vehículos para que no se enreden.

## ADVERTENCIA

Para evitar la posibilidad de una LESIÓN GRAVE O INCLUSO LA MUERTE si la puerta del garaje se cae:

- De ser posible, use el desenganche de emergencia para soltar el carro SÓLO cuando la puerta del cochera esté CERRADA. Si los resortes están débiles o rotos o si la puerta está desequilibrada, podría abrirse y caer rápida y/o inesperadamente.
- NUNCA use la manija de emergencia a menos que la entrada a la cochera esté libre de obstrucciones y no haya ninguna persona presente.
- NUNCA use la manija para tirar de la puerta para abrirla o cerrarla. Si el nudo de la cuerda se suelta, usted podría caerse.



## INSTALACIÓN PASO 8

### Sujete la ménsula de la puerta

Siga las instrucciones que correspondan al tipo de puerta de cochera que usted tenga, como se muestra en la ilustración o en la página siguiente.

**Si usa un puntal horizontal, éste debe de ser lo suficientemente largo para sujetarlo a dos soportes verticales. Si usa un puntal vertical, éste debe de ser de la altura del panel superior.**

En la Figura 1 se muestra una pieza de hierro en ángulo como puntal horizontal. Para el puntal vertical se deben usar dos piezas de hierro en ángulo para crear un soporte en "U". La mejor alternativa es consultar con el fabricante de la puerta del garaje para obtener un juego de refuerzo para la instalación del mecanismo del abridor.

**NOTA:** Muchos de los juegos de refuerzo permiten la conexión directa de los pasadores de chaveta y del brazo de la puerta. En este caso, no necesitará instalar la ménsula de la puerta. Continúe con el paso 9.

### PUERTAS SECCIONALES

1. Coloque la ménsula de la puerta sobre la línea central vertical que había marcado previamente para la instalación de la ménsula del cabezal. Asegúrese de que la leyenda "UP" (arriba) esté en la posición correcta, como se indica en la parte interior de la ménsula.
2. El borde superior de la ménsula debe quedar a una distancia de 5 a 10 cm (2 a 4 pulgadas) por debajo del borde superior de la puerta, o directamente bajo un soporte transversal en la parte superior de la puerta.
3. Haga los agujeros y proceda con las siguientes instrucciones de instalación, según el tipo de puerta:

#### **Puertas metálicas o livianas con refuerzo vertical de hierro en ángulo entre el soporte del panel de la puerta y la ménsula de la puerta:**

- Haga los agujeros de 3/16 de pulg. Fije la ménsula de la puerta con dos tornillos autorroscantes 1/4 de pulg. - 14 x 5/8 de pulg. (Figura 2A).
- Como alternativa puede usar dos pernos de 5/16 de pulg. con arandelas de presión y tuercas (no incluidos) (Figura 2B).

#### **Puertas metálicas, con aislamiento o livianas, reforzadas de fábrica:**

- Haga los agujeros de 3/16 de pulg. Fije la ménsula de la puerta con tornillos autorroscantes (Figura 3).

#### **Puertas de madera:**

- Use los orificios laterales o superior e inferior de la ménsula. Haga los agujeros correspondientes de 5/16 de pulg. en la puerta y fije la ménsula con tornillos de 5/16 de pulg. x2 de pulg., arandelas de presión y tuercas (no incluidos) (Figura 4).

**NOTA:** Los tornillos autorroscantes de 1/4 de pulg. -14x5/8 de pulg. no son aptos para puertas de madera.



## PRECAUCIÓN

Para puertas de cochera de fibra de vidrio, acero fino o aluminio, es **NECESARIO** un refuerzo ANTES de instalar la ménsula de puerta. Consultar con el fabricante de la puerta para un juego de refuerzo estructural.

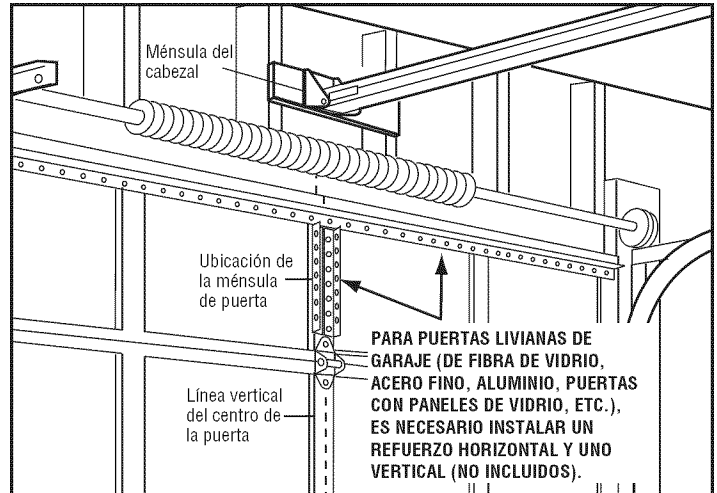


Figura 1

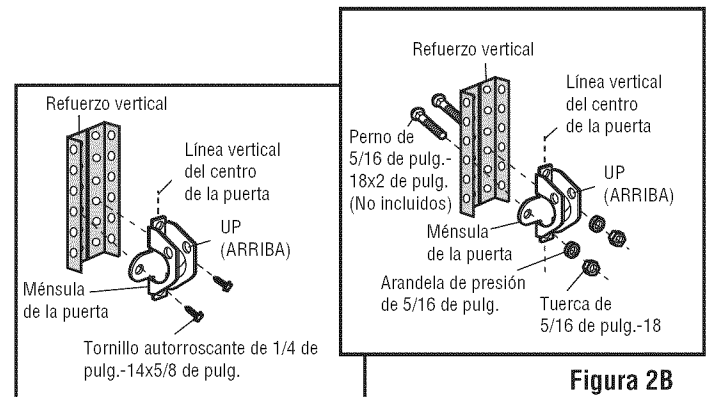


Figura 2A

Figura 2B

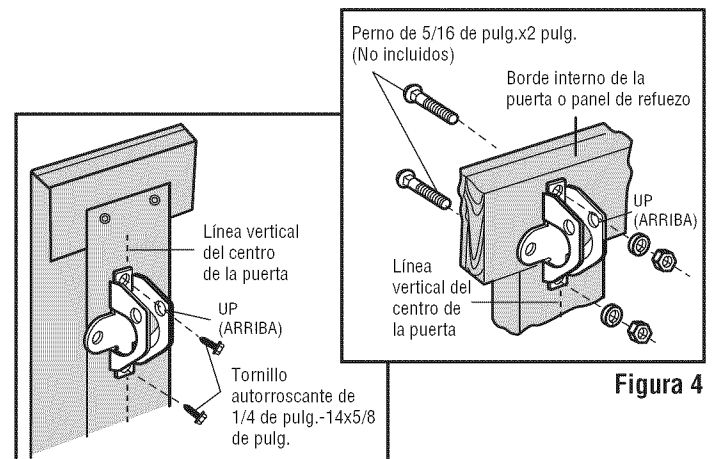


Figura 3

Figura 4

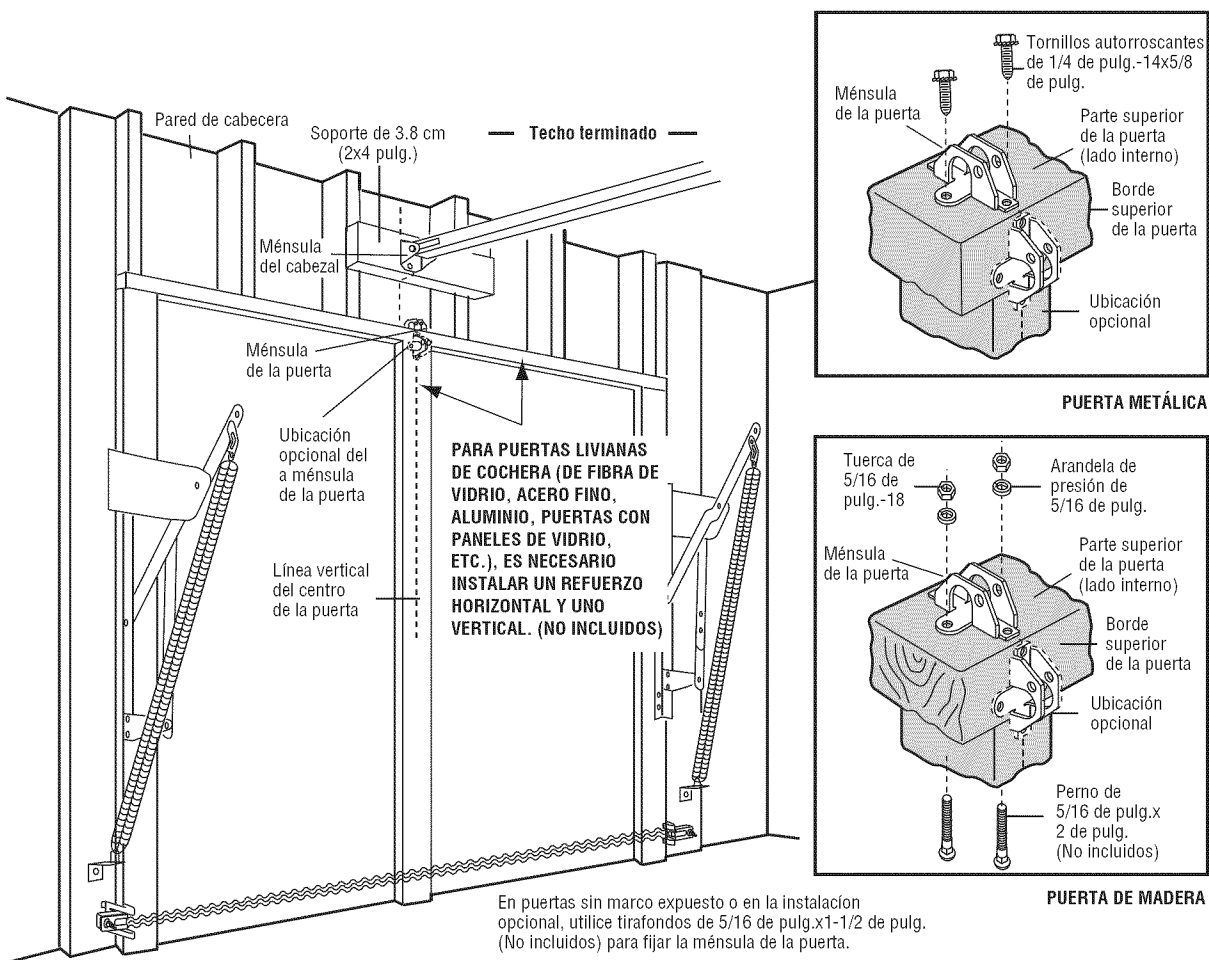
## Sujete la ménsula de la puerta (continúa)

### PUERTAS DE UNA SOLA PIEZA

Lea y respete todas las advertencias e instrucciones respecto a los refuerzos, contenidas en la página anterior. Todos los refuerzos para su puerta de una sola pieza son los mismos.

- Coloque la ménsula de la puerta al centro de la parte superior de la misma, alineada con la ménsula del cabezal, según se indica en la ilustración. Marque ya sea los orificios derecho e izquierdo o superior e inferior.
- **Puertas metálicas:** Taladre orificios piloto de 3/16 de pulg. y ajuste la ménsula con los tornillos autorroscantes de 1/4 de pulg. - 14x5/8 de pulg. provistos.
- **Puertas de madera:** Taladre orificios de 5/16 de pulg. y use pernos con cabeza redonda de 5/16 de pulg x 2 pulg., arandelas de presión y tuercas (no provistas) o tornillos de cabeza cuadrada o pijas de 5/16 de pulg. x 1-1/2 de pulg. (no provistos), dependiendo de lo que necesite para su instalación.

**NOTA:** La ménsula para la puerta puede ser instalada sobre la orilla superior de la puerta si es necesario para su instalación en particular. (Vea la ilustración de colocación opcional, señalada con la línea punteada).



## INSTALACIÓN PASO 9

### Conectar el brazo de la puerta al trole

Siga las instrucciones que correspondan al tipo de puerta de cochera que usted tenga, como se muestra a continuación y en las dos páginas siguientes.

**IMPORTANTE:** El ranura en el brazo recto de la puerta **DEBE** voltearse del brazo curvado de la puerta (Figura 4).

#### SÓLO PARA PUERTAS SECCIONALES

1. Cerciórese de que la puerta de la cochera esté completamente cerrada. Tire de la manija de emergencia para desconectar el carro exterior del carro interior. Deslice el trole exterior hacia atrás (en dirección opuesta a la polea) por lo menos 20 cm (8 pulg.) como se indica en las Figuras 1, 2 y 3.
2. Fije la sección recta del brazo de la puerta al carro exterior usando un pasador de chaveta de 5/16 de pulg. x 1 pulg. Asegure la conexión con el anillo sujetador (Figura 1).
3. Fije la sección curva del brazo a la ménsula de la puerta de la misma manera, con un pasador de chaveta de 5/16 de pulg. x 1-1/4 de pulg.
4. Junte las dos secciones. Busque dos pares de orificios que estén alineados y una las secciones. Seleccione dos orificios que estén tan separados como sea posible para aumentar la rigidez del brazo de la puerta (Figura 2).

#### Opciones para alinear los orificios (Figura 3):

- En caso de que los orificios del brazo curvo no se puedan alinear con los orificios del brazo recto, desconecte el brazo recto. Corte aproximadamente 15 cm (6 pulg.) del extremo que no tiene orificios. Reconéctelo al carro con la punta cortada hacia abajo como se muestra.
- Junte las dos secciones.
- Busque dos pares de orificios alineados y únalos con pernos, arandelas, y tuercas.

Tire de la manija de emergencia hacia el abridor en un ángulo de 45 grados, de manera que el brazo de liberación del trole esté en posición horizontal. El trole volverá a estar listo automáticamente, cuando se opere el abridor.

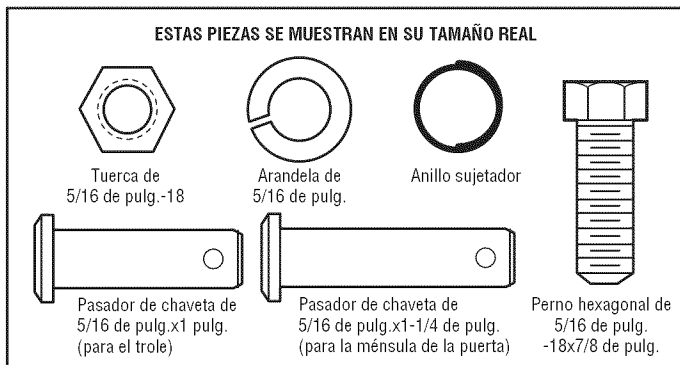


Figura 1

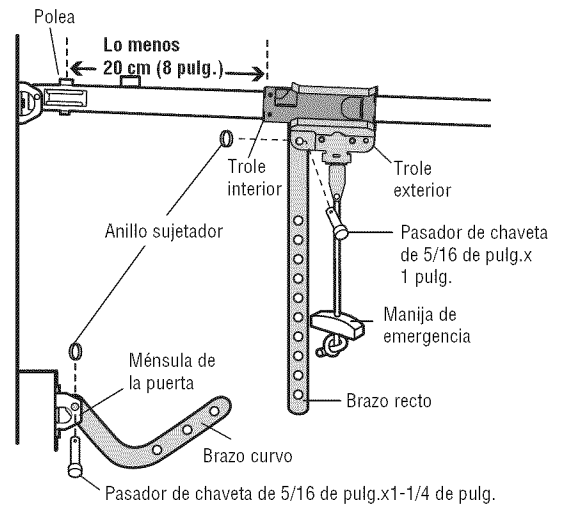


Figura 2

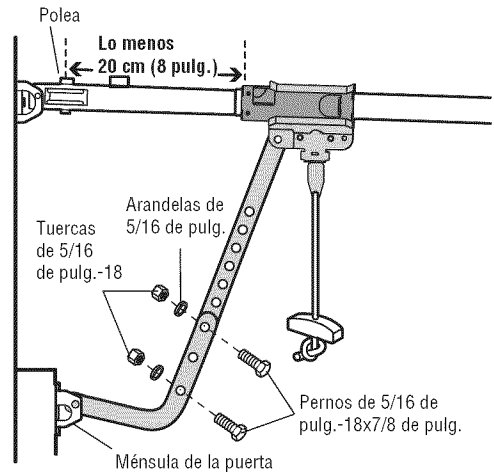


Figura 3

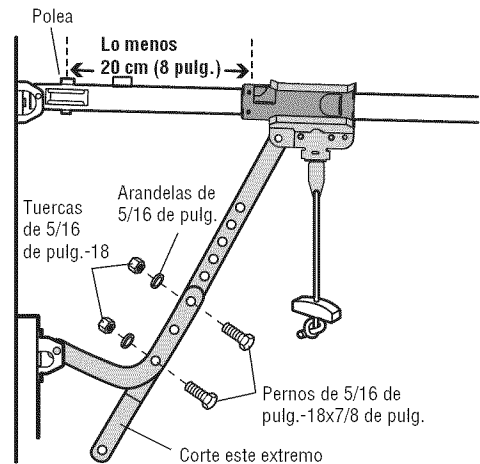
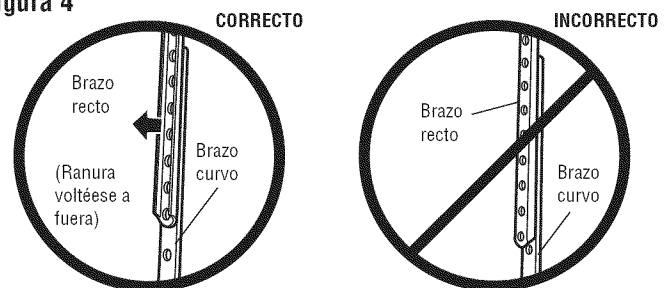


Figura 4



## Conecte el brazo de la puerta al trole (continúa)

### TODAS LAS PUERTAS DE UNA SOLA PIEZA

**IMPORTANTE:** El ranura en el brazo recto de la puerta **DEBE** voltearse del brazo curvado de la puerta (Figura 5).

1. Cerrar la puerta. Desconecte el trole tirando de la manija de desenganche de emergencia.
2. Unir las dos secciones del brazo de la puerta (recta y curva) con la mayor longitud posible (una superposición de dos o tres orificios).
3. Acoplar el brazo de la puerta a la ménsula de montaje con la chaveta de 5/16 de pulg. x 1-1/4 de pulg. Asegurarlo con el aro de retención.
4. Acoplar el brazo curvo de la puerta al carro con la chaveta de 5/16 de pulg. x1 pulg.. Asegurarlo con el aro de retención.
5. Tirar de la manija de emergencia hacia el abridor hasta que el brazo del carro quede horizontal.

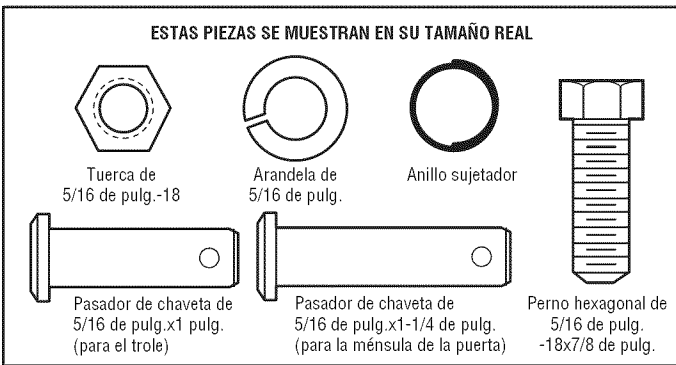


Figura 5

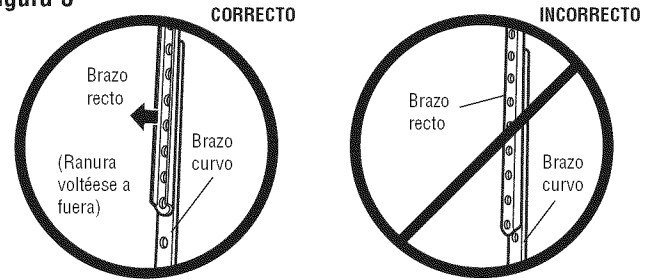


Figura 6 Puerta de una pieza sin riel guía

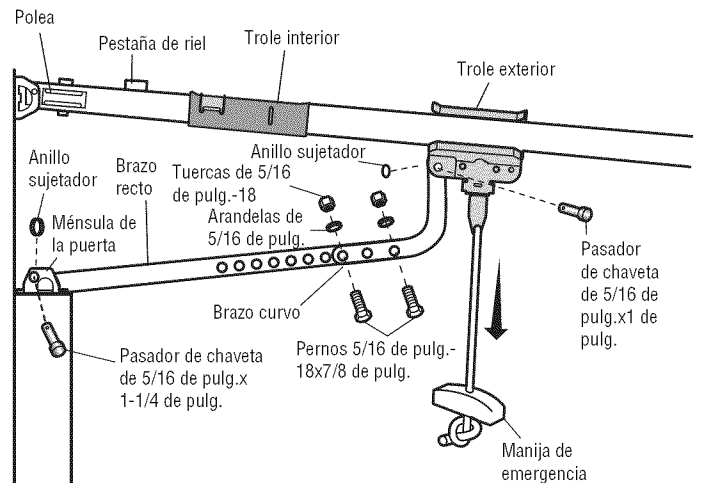
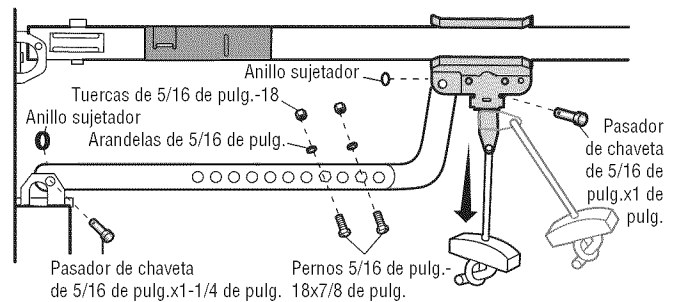


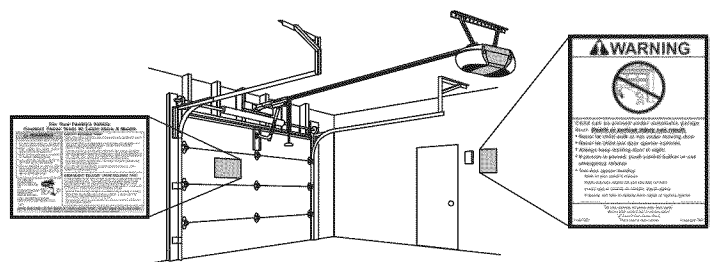
Figura 7 Puerta de una sola pieza con carril



## INSTALACIÓN PASO 10

### Colocación de las etiquetas de advertencia

1. Con tachuelas o grapas, coloque en la pared cerca del control de la puerta una etiqueta de advertencia sobre el riesgo de quedar atrapado.
2. Coloque la etiqueta de prueba de reversa de seguridad y apertura manual en un lugar a la vista del lado interno de la puerta de la cochera.



# INSTALACIÓN PASO 11

## Instalar el control de la puerta

### INTRODUCCIÓN

**NOTA:** Los controles de la puerta anteriores de Craftsman y los productos de terceros no son compatibles.

El abridor de puerta de cochera es compatible hasta con dos controles AssureLink™.

Instale el control de manera que quede a la vista desde la puerta y a una altura mínima de 1.5 m (5 pies) donde los niños no puedan alcanzar y lejos de las partes móviles de la puerta.

**NOTA:** Si se usa una caja para instalar el control, no es necesario hacer orificios ni colocar tarugos en la pared. Simplemente use los orificios de la misma caja.

### ALAMBRE DE CONTROL DE LA PUERTA (FIGURA 1)

1. Pele 11 mm (7/16") del extremo del cable y separe los cables.
2. Conecte un cable a cada uno de los dos terminales de tornillo en la parte posterior del control de la puerta. Los cables pueden conectarse indistintamente a cualquiera de los tornillos. **Instalación con cableado existente:** Elegir dos cables para conectar e identificarlos para poder conectarlos al abridor más adelante.

### MONTAR EL CONTROL DE LA PUERTA (FIGURA 2)

1. Marque el lugar del orificio de montaje inferior y taladre un orificio de 4 mm (5/32 de pulg.).
2. Coloque el tornillo inferior, de modo que sobresalga 3 mm (1/8 de pulg.) de la pared.
3. Haga pasar el orificio inferior del control de la puerta sobre el tornillo y deslícelo hacia abajo.
4. Levante el pulsador de barra y marque el orificio superior.
5. Quite el control de la puerta al pared y hacer un agujero de 4 mm (5/32 de pulg.) para el tornillo superior.
6. Haga pasar el orificio inferior del control de la puerta sobre el tornillo y deslícelo hacia abajo. Coloque ahora el tornillo superior.

### TENDER LOS CABLES DESDE EL CONTROL HASTA EL ABRIDOR (FIGURA 3)

**Instalación con cableado existente:** Elegir dos cables para conectar e identificarlos para poder conectarlos al abridor más adelante.

1. Tienda los cables blanco y rojo/blanco entre el control de la puerta y el abre-puertas de garaje. Fijar el cable a la pared y al techo con los broches (no aplicable a instalaciones con cajas de conexión ni precableadas). No perforo el cable con las grapas ya que podría causar un cortocircuito o la apertura del circuito.
2. Pele 11 mm (7/16 de pulg.) del extremo del cable cerca del abridor de la puerta de cochera.
3. Conecte el cable a los terminales rojo y blanco del abridor de la puerta de cochera.

## ⚠️ ADVERTENCIA

Para evitar posibles LESIONES GRAVES e incluso la MUERTE por electrocución:

- ANTES de instalar el control, verifique que NO esté conectada la energía eléctrica.
- Conecte SOLAMENTE a cables de bajo voltaje de 12 VOLTIOS.

Para evitar la posibilidad de una LESIÓN GRAVE O INCLUSO LA MUERTE cuando la puerta del cochera se esté cerrando:

- Instale el control de la puerta de manera que quede a la vista desde la puerta y a una altura mínima de 1.5 m (5 pies) donde los niños no lo puedan alcanzar y lejos de TODAS las partes móviles de la puerta.
- NUNCA permita que los niños hagan funcionar o jueguen con los botones del control de la puerta ni con los transmisores del control remoto.
- Abra/cierre una puerta de garaje SÓLO si la puede ver claramente, si está correctamente instalada y si no hay ninguna obstrucción en su recorrido.
- SIEMPRE mantenga la puerta de garaje a la vista hasta que esté completamente cerrada. NUNCA permita que alguien cruce por debajo de una puerta de cochera que se está cerrando.

### ESTAS PIEZAS SE MUESTRAN EN SU TAMAÑO REAL

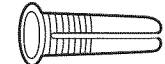


Tornillo de 6ABx1 pulg.  
(instalación estándar)

Grapas con aislamiento  
(No mostrado)



Tornillo 6-32x1 pulg.  
(instalación caja múltiple)



Taquete para muro falso

Figura 1

### INSTALACIÓN CON CABLEADO EXISTENTE:

Elegir dos cables para conectar e identificarlos para poder conectarlos al abrepuerta más adelante.

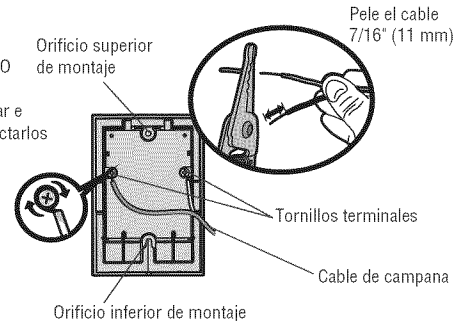


Figura 2

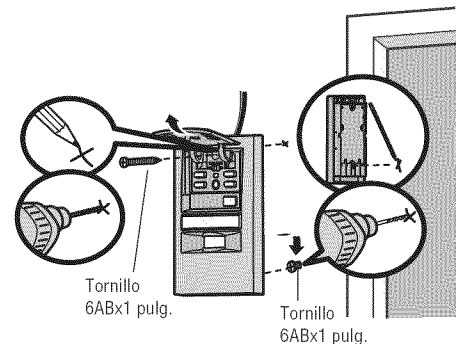
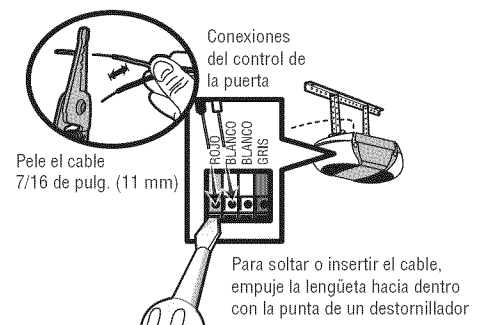


Figura 3



## INSTALACIÓN PASO 12

### Instalación de Protector System®

#### INFORMACIÓN IMPORTANTE SOBRE EL SENSOR DE REVERSA DE SEGURIDAD

**El sensor de reversa de seguridad debe estar bien conectado y alineado antes de que el abre-puertas de garaje se mueva hacia abajo.**

El sensor emisor (LED ámbar) transmite un haz de luz invisible hacia el sensor receptor (LED verde). Si una obstrucción interrumpe el haz de luz mientras la puerta se está cerrando, la puerta se detendrá y regresará a la posición totalmente abierta, y las luces del abridor de puerta de cochera parpadearán 10 veces.

**NOTA:** Para ahorrar energía, el abridor de puerta de cochera pasará a modo pasivo cuando la puerta esté totalmente cerrada. En modo pasivo, el abridor de puerta de cochera permanece apagado hasta que vuelva a activarse. En modo pasivo está en sincronización con la bombilla del abridor de la puerta de cochera. Al apagarse la bombilla, se apagarán los LED de los sensores y cuando se enciendan las luces del abridor de la puerta de cochera, se encenderán los LED del sensor. El abridor de la puerta de cochera no pasará al modo pasivo hasta que haya completado 5 ciclos desde que se accionó.

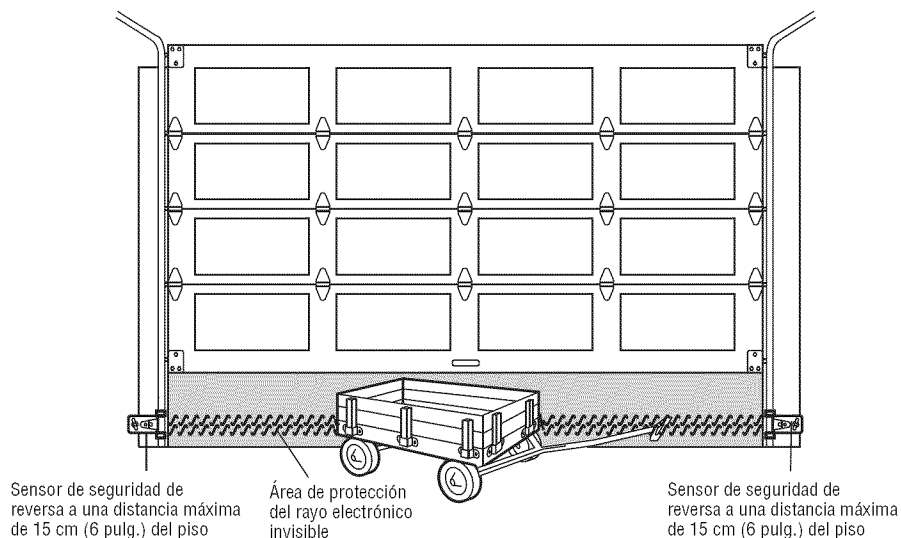
Al instalar los sensores de seguridad, verifique lo siguiente:

- Que los sensores estén instalados dentro del cochera, uno de cada lado de la puerta.
- Que los sensores estén orientados frente a frente con las lentes alineadas, y que la lente del sensor receptor no reciba la luz directa del sol.
- Que los sensores estén montados a una altura máxima de 15 cm (6 pulgadas) sobre el piso y que no haya obstrucciones en la trayectoria del haz de luz.

## ⚠ ADVERTENCIA

Asegúrese de que la energía eléctrica NO esté conectada al abre-puertas de garaje ANTES de instalar los sensores de reversa de seguridad. Para evitar la posibilidad de sufrir una LESIÓN GRAVE o incluso la MUERTE cuando la puerta del cochera se esté cerrando:

- Conecte correctamente y verifique la alineación de los sensores de reversa de seguridad. Este dispositivo de seguridad es necesario y NO se DEBE desactivar.
- Instale los sensores de reversa de seguridad de modo que NO SUPERE 15 cm (6") sobre el nivel del piso del cochera.



#### Vista de la puerta desde el interior de la cochera

## Instalación de Protector System® (continúa)

### INSTALACION DE LA MÉNSULA

**Asegúrese de que el abridor no esté conectado a la corriente eléctrica.**

Instale y alinee las ménsulas de manera que los sensores estén uno frente al otro en los lados opuestos de la puerta, a una distancia máxima de 15 cm (6 pulg.) del piso. Instale las ménsulas de una de las tres maneras siguientes.

#### Instalación en el carril de la puerta de la cochera (recomendada):

1. Deslice los brazos curvos sobre la orilla redondeada de cada uno de los carriles de la puerta, con los brazos curvos apuntando hacia la puerta. Coloquelos en su posición contra el costado del carril. Debe quedar ras, con el reborde pegado a la orilla posterior del carril, como se ilustra en la Figura 1.

Si el carril de su puerta no soporta la ménsula firmemente, se recomienda que la instale sobre la pared.

#### Instalación en la pared (Figuras 2 y 3):

1. Coloque la ménsula contra la pared con los brazos curvos apuntando hacia la puerta. Cerciórese de que haya suficiente espacio para que el rayo del sensor no esté obstruido.
2. Si es necesario tener más profundidad, puede usar ménsulas de extensión (vea Accesorios) o bloques de madera.
3. Use los orificios de montaje de la ménsula para marcar y taladrar los (2) orificios de 3/16 de pulgada de diámetro a cada lado de la puerta a una distancia máxima de 15 cm (6 pulg.) del piso.
4. Fije la ménsula a la pared con tornillos de cabeza cuadrada (no se incluyen).
5. Si está usando ménsulas de extensión o bloques de madera por la falta de espacio, asegúrese de que las dos unidades queden a la misma distancia de la superficie de montaje. Coloque las ménsulas armadas a la misma distancia de separación de la superficie de montaje.

#### Instalación en el piso (Figura 4):

1. Use bloques de madera o ménsulas de extensión (vea Accesorios) para elevar las ménsulas de los sensores de manera que las lentes queden a una distancia máxima de 15 cm (6 pulg.) del piso.
2. Cuidadosamente mida e instale las unidades derecha y izquierda a la misma distancia con respecto a la pared. Asegúrese de que no haya ninguna obstrucción.
3. Fije al piso las ménsulas para los sensores con los sujetadores para cemento, como se muestra en la ilustración.

Figura 1 INSTALACIÓN EN EL CARRIL DE LA PUERTA (LADO DERECHO)

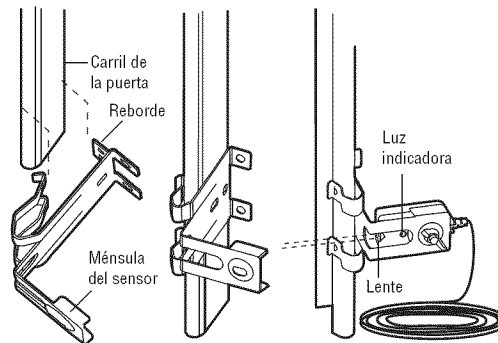


Figura 2 INSTALACIÓN EN LA PARED (LADO DERECHO)

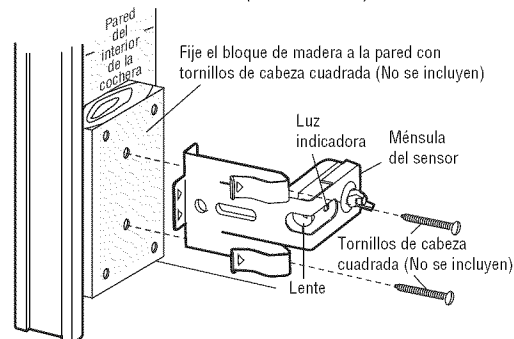


Figura 3 INSTALACIÓN EN LA PARED (LADO DERECHO)

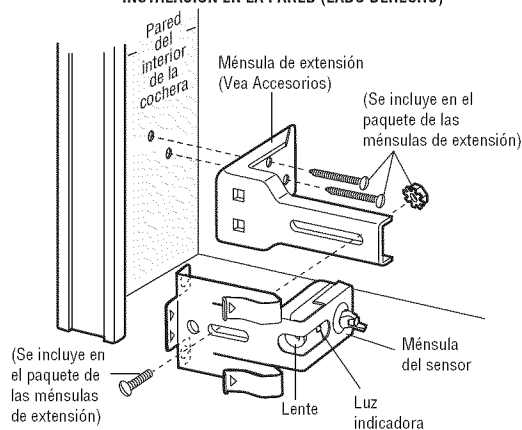
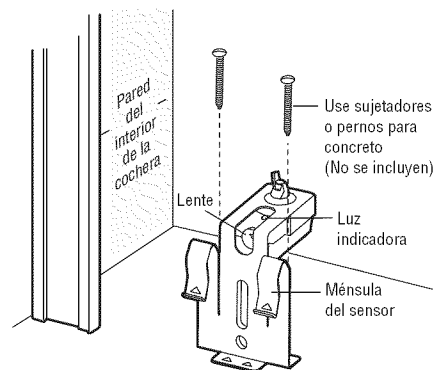


Figura 4 INSTALACIÓN EN EL PISO (LADO DERECHO)





## Instalación de Protector System® (continúa)

### MONTAJE Y CABLEADO DE LOS SENSORES DEL SISTEMA DE SEGURIDAD DE REVERSA

#### Montaje:

1. Deslice la cabeza de un perno de coche de 1/4-20x1/2 de pulgada dentro de la ranura de los sensores. Use tuercas de mariposa para sujetar los sensores a las mensulas, con las lentes de cada sensor frente a frente a ambos lados de la puerta. Cerciórese de que la extensión de la mensula no obstruya las lentes (Figura 5).
2. Apriete las tuercas de mariposa a mano.

#### Opción A – Instalación sin cables preinstalados:

1. Instale los cables desde los sensores hasta el abridor. Fije los cables a la pared y el techo con broches (Figura 6).

#### Opción B – Con cables preinstalados:

Instrucciones para el caso de que existan cables preinstalados para los sensores de inversión:

1. Corte el extremo del cable del sensor de inversión dejando suficiente largo de cable para que pueda empalmarse con los cables preinstalados (Figura 7).
2. Separe los cables del sensor de reversa de seguridad y pele 11 mm (7/16 de pulg.) de cada extremo. Elija dos de los cables preinstalados y pele 11 mm (7/16 de pulg.) de cada extremo. Elija el mismo color de cable preinstalado para cada sensor (Figura 8).
3. Conecte al sensor los cables preinstalados, usando capuchones de empalme. Verifique que los colores sean los que correspondan a cada sensor (Figura 9).

#### CONECTAR AL ABRE-PUERTAS DE GARAJE:

1. Pele 11 mm (7/16 de pulg.) de cada juego de cables. Separe los alambres blanco y blanco/negro los suficiente para que pueda conectarlos a las terminales de conexión rápida del abridor, de la forma siguiente. Tuerza juntos los cables del mismo color. Inserte los cables en los orificios de conexión rápida: el blanco al blanco y el blanco/negro al gris (Figura 10).

Figura 5

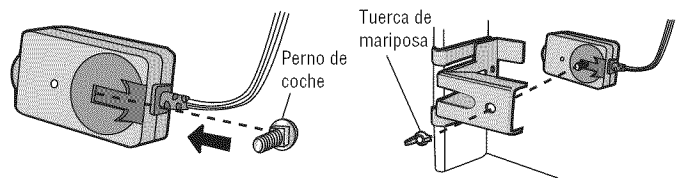


Figura 6

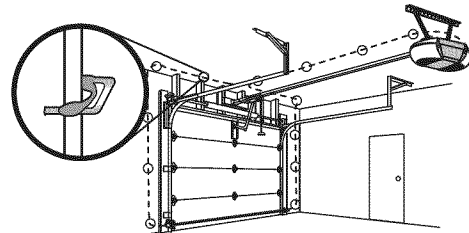


Figura 7

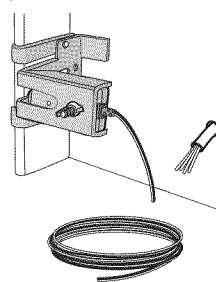


Figura 8

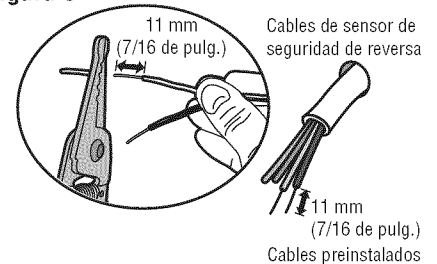


Figura 9

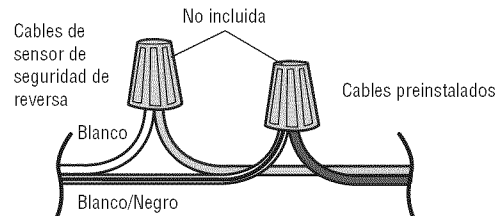
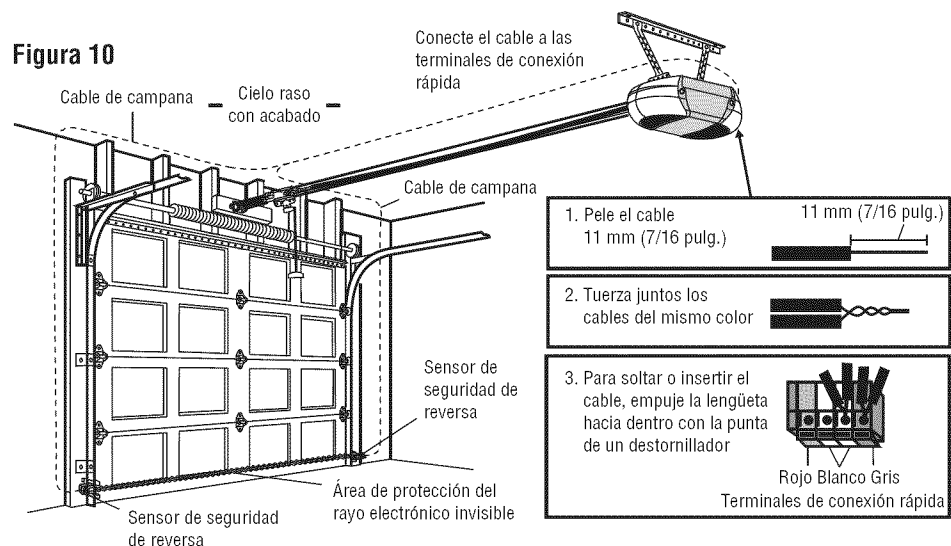


Figura 10

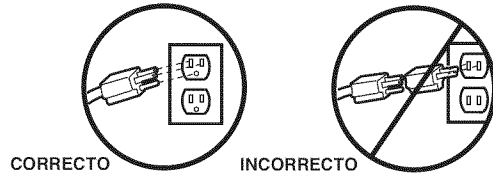


## INSTALACIÓN PASO 13

### Requisitos para la instalación eléctrica

Para evitar problemas con la instalación, no opere el abridor de la puerta de cochera ahora.

Para reducir el riesgo de descarga eléctrica, su abridor de la puerta de cochera viene con una clavija de conexión a tierra de tres patas. Esta clavija sólo se puede conectar a un tomacorriente con puesta a tierra y con tres entradas. Si la clavija no entra en la toma de corriente que usted tiene, diríjase a un electricista profesional para que instale la toma de corriente correcta.



Si la reglamentación local exige que su abre-puertas tenga cableado permanente, siga los siguientes pasos.

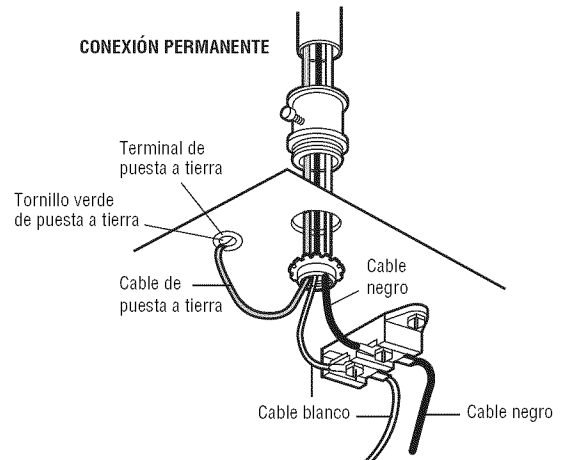
Para conectar el abre-puertas a la corriente eléctrica de forma permanente a través del orificio de 7/8 de pulg. localizado en la parte superior del motor:

1. Quite los tornillos de la tapa del abre-puertas y deje la cubierta hacia un lado.
2. Quite el cable de tres entradas.
3. Conecte el cable (línea) negro al tornillo del terminal de cobre, el cable blanco (neutral) al tornillo del terminal color plata, y el cable a tierra al tornillo verde de la puesta a tierra. **El abridor debe estar puesto a tierra.**
4. Vuelva a colocar la tapa.

## ⚠️ ADVERTENCIA

Para evitar la posibilidad de una LESIÓN GRAVE O INCLUSO LA MUERTE por electrocución o incendio:

- Asegúrese de que el abridor de la puerta NO esté conectado a la energía eléctrica y desconecte la energía eléctrica al circuito ANTES de quitar la cubierta para establecer la conexión del cableado permanente.
- Tanto la instalación como el cableado de la puerta del garaje DEBEN cumplir con TODOS los códigos locales eléctricos y de construcción.
- NUNCA use una extensión ni un adaptador de dos hilos, tampoco modifique la clavija para poder enchufarla. Asegúrese de que el abridor de puertas esté puesto a tierra.



## INSTALACIÓN PASO 14

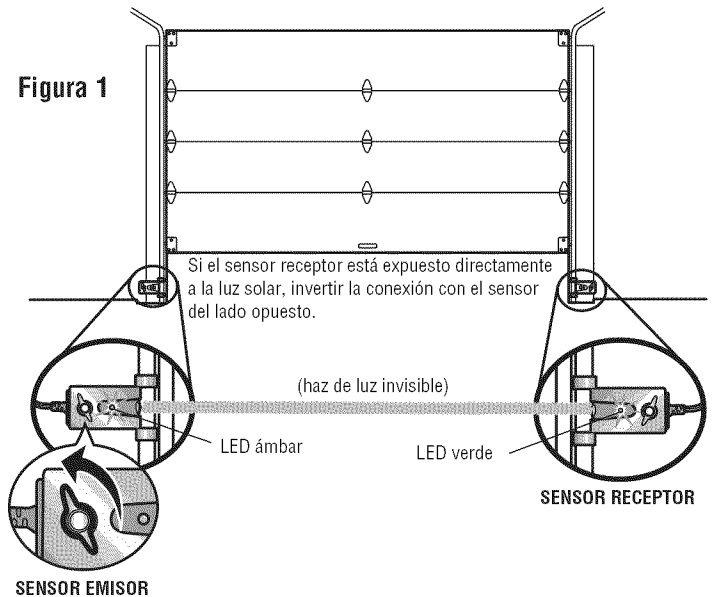
### Alineación de los sensores de reversa de seguridad

La puerta no se cerrará si los sensores no están instalados y alineados correctamente.

Si el haz de luz está desalineado o se ve obstaculizado cuando la puerta se está cerrando, esta invertirá su dirección y las luces de la abridor de la puerta de cochera parpadearán diez veces. Si la puerta ya está abierta, no se cerrará.

1. Verifique que los DEL de ambos sensores estén encendidos permanentemente. Si los sensores están conectados y alineados correctamente, los LED quedarán encendidos permanentemente.

Para alinear los sensores, afloje las tuercas mariposa, alinee los sensores y vuelva a ajustar las tuercas.

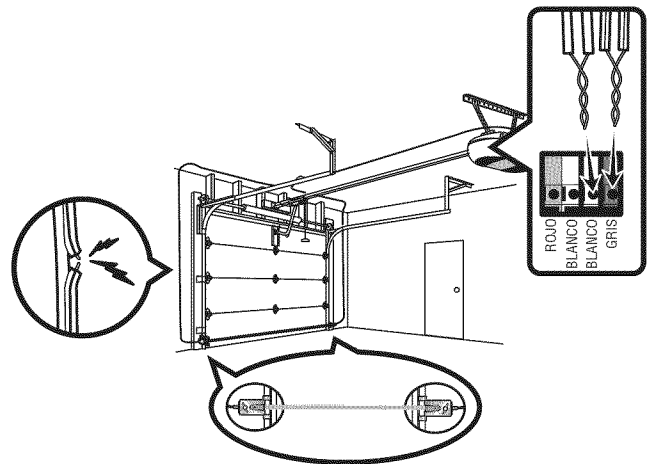


#### SI EL LED ÁMBAR DEL SENSOR EMISOR NO SE ENCIENDE:

1. Verificar que llegue energía eléctrica al abridor.
2. Verificar que no haya un cortocircuito ni el sensor esté roto.
3. Verificar que el sensor esté correctamente conectado: cables blancos al terminal blanco y cables blanco/negro al terminal gris.

#### SI EL LED VERDE DEL SENSOR RECEPTOR NO SE ENCIENDE:

1. Verificar que no haya un cortocircuito ni el sensor esté roto.
2. Verificar la alineación de los sensores.

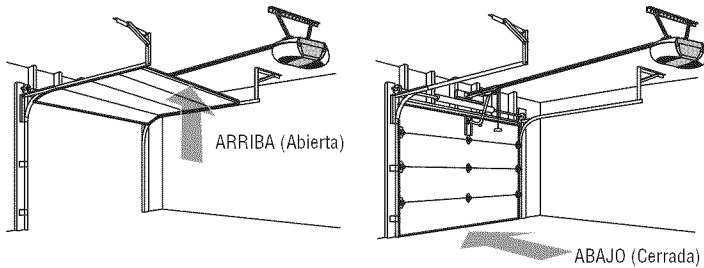


# AJUSTES

## Introducción

El abridor de la puerta de cochera está diseñado con controles electrónicos que facilitan su instalación y regulación. Con los ajustes puede programar el punto de parada de la puerta en su posición abierta (ARRIBA) y cerrada (ABAJO). Los controles electrónicos detectan la cantidad de fuerza que es necesaria para abrir y para cerrar la puerta. La fuerza se ajusta automáticamente cuando se programa el recorrido.

**NOTA:** Si algo interfiere con el recorrido de la puerta en su trayectoria hacia arriba, la puerta se detendrá. La puerta invertirá su dirección de movimiento si encuentra una interferencia en su movimiento hacia abajo.



### ⚠️ ADVERTENCIA

Si el sistema de retroceso de seguridad no se ha instalado debidamente, las personas (y los niños pequeños en particular) podrían sufrir **LESIONES GRAVES** o **INCLUSO LA MUERTE** cuando se cierra la puerta de la cochera.

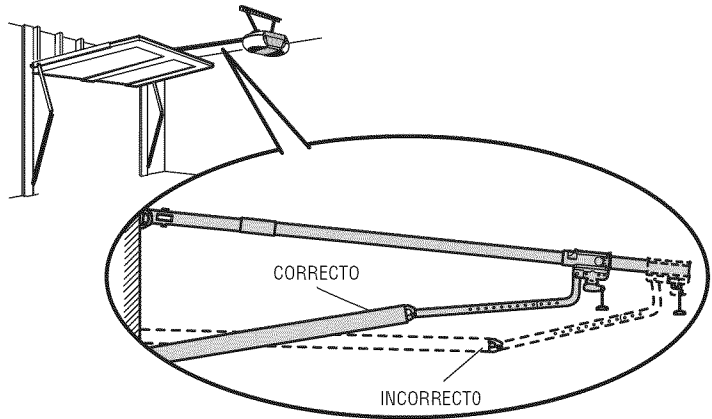
- El ajuste incorrecto de los límites del recorrido de la puerta del cochera interferirá con la operación adecuada del sistema de reversa de seguridad.
- Después de llevar a cabo cualquier ajuste, **SE DEBE** probar el sistema de reversa de seguridad. La puerta **DEBE** retroceder al entrar en contacto con un objeto de 3.8 cm (1-1/2 de pulg.) de altura (o de 5 x 10 cm [2 x 4 pulg.] acostado en el piso).

### PRECAUCIÓN

Para evitar que los vehículos sufran daños, cerciórese de que cuando la puerta esté completamente abierta haya espacio suficiente.

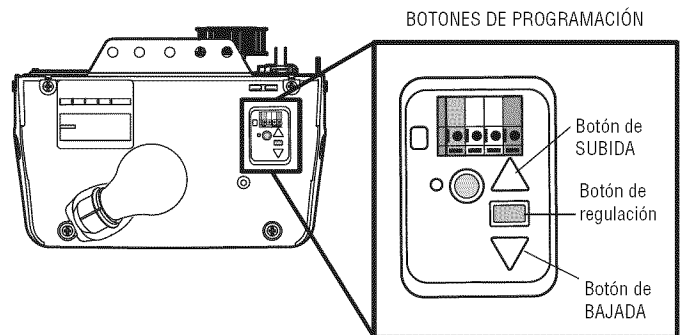
## SOLAMENTE PARA LAS PUERTAS DE UNA SOLA

Al configurar el recorrido hacia ARRIBA de una puerta de una sola pieza, verifique que la puerta no quede inclinada hacia atrás al abrirse completamente (ARRIBA). Si la puerta queda inclinada hacia atrás se deformará, hará movimientos irregulares y/o se sacudirá al abrir o al cerrar.



## BOTONES DE PROGRAMACIÓN

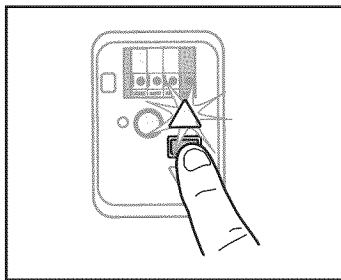
Los botones de programación están en el panel a la izquierda del abridor de la puerta de cochera y se utilizan para programar el recorrido de la puerta.



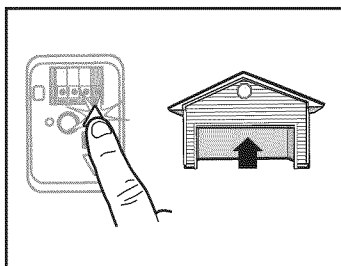
## AJUSTES, PASO 1

### Programación del desplazamiento

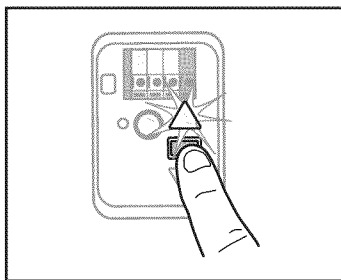
1. Presione y mantenga presionado el botón de Ajuste hasta que el botón ARRIBA (UP) empiece a parpadear y/o se escuche una señal sonora.



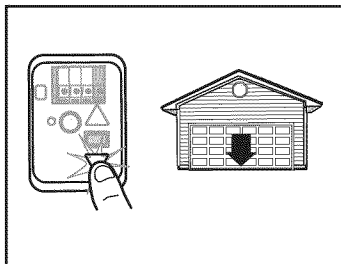
2. Presione y mantenga presionado el botón ARRIBA (UP) hasta que la puerta se encuentre en la posición deseada. **NOTA:** Los botones de subida y bajada pueden utilizarse para ver la puerta cuando sea necesario.



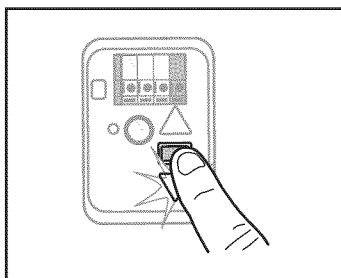
3. Una vez que la puerta esté en la posición deseada, presione y suelte el botón de Ajuste. Las luces del abridor de la puerta de cochera parpadearán dos veces y el botón ABAJO (DOWN) comenzará a parpadear. **NOTA IMPORTANTE:** Para instalación de puertas de una sola pieza véase la página 28.



4. Presione y mantenga presionado el botón ABAJO (DOWN) hasta que la puerta se encuentre en la posición deseada. **NOTA:** Los botones de subida y bajada pueden utilizarse para ver la puerta cuando sea necesario.



5. Una vez que la puerta esté en la posición deseada, presione y suelte el botón de Ajuste. Las luces del abridor de la puerta de cochera parpadearán dos veces y el botón ARRIBA (UP) comenzará a parpadear.

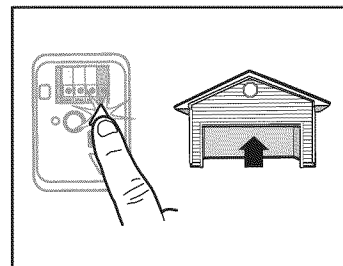


## ⚠ ADVERTENCIA

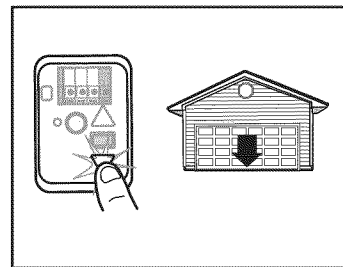
Si el sistema de retroceso de seguridad no se ha instalado debidamente, las personas (y los niños pequeños en particular) podrían sufrir LESIONES GRAVES o INCLUSO LA MUERTE cuando se cierra la puerta de la cochera.

- El ajuste incorrecto de los límites del recorrido de la puerta de la cochera interferirá con la operación adecuada del sistema de reversa de seguridad.
- Después de llevar a cabo cualquier ajuste, SE DEBE probar el sistema de reversa de seguridad. La puerta DEBE retroceder al entrar en contacto con un objeto de 3.8 cm (1 1/2 de pulg.) de altura (o de 5 x 10 cm [2 x 4 pulg.] acostado en el piso).

6. Presione y suelte el botón ARRIBA (UP). Cuando la puerta se desplace a la posición programada de ARRIBA (UP), el botón ABAJO (DOWN) empezará a parpadear.



7. Presione y suelte el botón ABAJO (DOWN). La puerta se desplazará a la posición programada de ABAJO (DOWN). La programación ha finalizado.



\*Si las luces del abridor se encendieran intermitentemente cinco veces durante la programación, significa que ha pasado el tiempo asignado a la programación. Si las luces del abridor de la puerta de cochera parpadean 10 veces durante la programación del recorrido, significa que los sensores de seguridad están mal alineados u obstruidos (consulte la página 27). Cuando los sensores estén bien alineados y no haya obstrucción, abra y cierre la puerta con el control remoto o con los botones de ARRIBA (UP) y ABAJO (DOWN). La programación ha finalizado. Si no puede operar la puerta hacia arriba o hacia abajo, repita los pasos de Programación del recorrido.

## AJUSTES, PASO 2

### Pruebe el sistema de reversa de seguridad

#### PRUEBA

1. Con la puerta completamente abierta, coloque una tabla de 3.8 cm (1-1/2 de pulg.) de altura (o de 5 x 10 cm [2 x 4 pulg.] acostada en el piso), centrada abajo de la puerta del garaje.
2. Opere la puerta en la dirección hacia abajo. La puerta deberá entrar en reversa automáticamente al hacer contacto con la obstrucción.

#### AJUSTE

- Si la puerta se detiene y no retrocede al encontrar un obstáculo, se necesita ajustar el recorrido (consulte el Paso de ajuste 1). **NOTA:** Si su puerta es seccional, asegúrese de que los ajustes al límite no hagan que el brazo de la puerta se mueva más allá de una posición recta hacia arriba y hacia abajo.
- Repita la prueba.
- Si la puerta retrocede automáticamente al hacer contacto con la tabla de 1-1/2 de pulg. (3.8 cm) (o 2x4), quite la obstrucción y abra y cierre la puerta completamente por lo menos 3 o 4 veces para verificar que esté bien regulada.
- Si al abre-puertas continúa sin revertir la dirección, llame a un técnico profesional para solucionar el problema.

#### VERIFICACIÓN IMPORTANTE DE SEGURIDAD:

Pruebe el funcionamiento de reversión de seguridad después de:

- Se hagan ajustes al largo del brazo de la puerta, los límites del recorrido, o los controles de la fuerza.
- Se hagan reparaciones o ajustes a la puerta del cochera (incluyendo los resortes y la pernería).
- Se hagan reparaciones al piso del cochera porque está desnivelado.
- Se hagan reparaciones o ajustes al abridor.

## AJUSTES, PASO 3

### Pruebe el sistema Protector System®

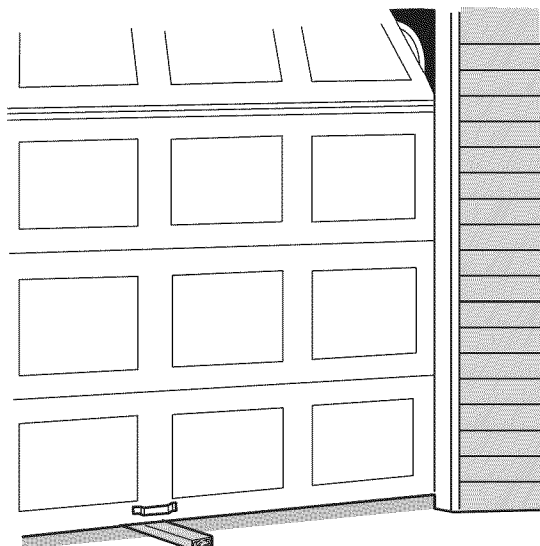
1. Presione el botón pulsador del control remoto para cerrar la puerta.
2. Coloque en el piso la caja en la que vino embalado el abridor, adonde interfiera con el recorrido de la puerta.
3. Comande el cierre de la puerta con el control remoto. La puerta no se moverá más de 2.5 cm (1 pulgada) y la luz del abridor comenzará a destellar.

El abridor no ejecutará el cierre con comando remoto si la luz indicadora de cualquiera de los sensores de seguridad estuviera apagada (advirtiéndolo al usuario que los sensores están desalineados o hay una obstrucción). Si el abridor comanda el cierre de la puerta con una obstrucción presente (y los sensores de seguridad no están instalados a más de 15 cm (6 pulgadas) de altura sobre el piso), llame a un técnico especializado para reparar este problema.

## ⚠ ADVERTENCIA

Si el sistema de retroceso de seguridad no se ha instalado debidamente, las personas (y los niños pequeños en particular) podrían sufrir **LESIONES GRAVES** o **INCLUSO LA MUERTE** cuando se cierra la puerta de la cochera.

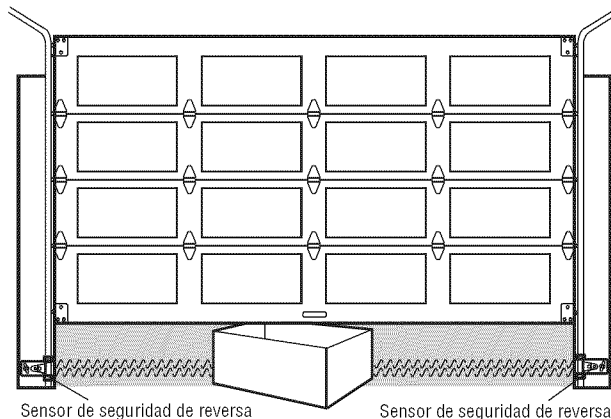
- El sistema de reversa de seguridad **SE DEBE** probar cada mes.
- Después de llevar a cabo cualquier ajuste, **SE DEBE** probar el sistema de reversa de seguridad. La puerta **DEBE** retroceder al entrar en contacto con un objeto de 3.8 cm (1 1/2 de pulg.) de altura (o de 5 x 10 cm [2 x 4 pulg.] acostado en el piso).



Pedazo de madera de 3.8 cm (1-1/2 de pulg.), (o un tablón de madera de 3.8 cm (2x4 pulg.) acostado sobre el piso)

## ⚠ ADVERTENCIA

Si un sensor de reversa de seguridad no se ha instalado adecuadamente, las personas (y los niños pequeños en particular) podrían sufrir **LESIONES GRAVES** o incluso **MORIR** al cerrar la puerta del garaje.



Sensor de seguridad de reversa

Sensor de seguridad de reversa

## OPERACIÓN

# INSTRUCCIONES IMPORTANTES DE SEGURIDAD



## Para reducir el riesgo de LESIONES GRAVES o la MUERTE:

1. LEA Y RESPETE TODAS LAS ADVERTENCIAS Y LAS INSTRUCCIONES.
2. SIEMPRE guarde los controles remotos lejos del alcance de los niños. NUNCA permita que los niños hagan funcionar o jueguen con los botones del control del abridor de la puerta de cochera o con los controles remotos.
3. SÓLO active el abridor de la puerta de cochera siempre y cuando lo pueda ver con claridad, esté debidamente ajustado y no haya ninguna obstrucción en su recorrido al cerrarse.
4. SIEMPRE mantenga la puerta de cochera a la vista y alejada de las personas y objetos hasta que esté completamente cerrada. NADIE DEBE ATRAVESAR EL RECORRIDO DE LA PUERTA CUANDO ESTÁ EN MOVIMIENTO.
5. NADIE DEBE CRUZAR POR DEBAJO DE UNA PUERTA DETENIDA O PARCIALMENTE ABIERTA.
6. De ser posible, use el desenganche de emergencia para soltar el carro SÓLO cuando la puerta del cochera esté CERRADA. Tenga precaución cuando utilice este desenganche con la puerta abierta. Si los resortes esta debiles o rotos, o la puerta desequilibrada pueden ocasionar que una puerta abierta caiga rápida y/o inesperadamente y aumentan el riesgo de LESIONES GRAVES o la MUERTE.
7. NUNCA use la manija de emergencia a menos que la entrada a la cochera esté libre de obstrucciones y no haya ninguna persona presente.
8. NUNCA use la manija para abrir o cerrar la puerta jalándola. Si el nudo de la cuerda se suelta, usted podría caerse.
9. Después de llevar a cabo cualquier ajuste, SE DEBE probar el sistema de reversa de seguridad.
10. El sistema de reversa de seguridad SE DEBE probar cada mes. La puerta del cochera DEBE retroceder al entrar en contacto con un objeto de 3.8 cm (1-1/2 de pulg.) de altura (o de 5 x 10 cm [2 x 4 pulg.] acostado en el piso). Si no se ajusta el abridor de la puerta de cochera debidamente, aumentará el riesgo de sufrir LESIONES GRAVES o la MUERTE.
11. MANTENGA SIEMPRE LA PUERTA DEL GARAJE DEBIDAMENTE EQUILIBRADA (vea la página 3). Si la puerta no está debidamente equilibrado es posible que no retroceda cuando así se requiera y podría ocasionar una LESIÓN GRAVE O INCLUSO LA MUERTE.
12. TODAS las reparaciones necesarias para los cables, resortes y otras piezas DEBEN ser realizadas por un técnico profesional en sistemas de puertas, pues TODAS estas piezas están bajo una tensión EXTREMA.
13. SIEMPRE desconecte el suministro de energía eléctrica del abrepuertas de garaje ANTES de llevar a cabo CUALQUIER reparación o de quitar las cubiertas.
14. Este sistema tiene una función de activación por estado pasivo. La puerta podría ponerse en movimiento repentinamente. NADIE DEBE ATRAVESAR EL RECORRIDO DE LA PUERTA CUANDO ESTÁ EN MOVIMIENTO.
15. NO active la función del temporizador de cierre en puertas de garaje de una sola pieza o en puertas batientes. Use esta función ÚNICAMENTE al operar puertas seccionales.

## 16. CONSERVE ESTAS INSTRUCCIONES.

### Funciones

El abridor de la puerta de cochera tiene varias funciones para que usted pueda tener más control sobre el funcionamiento de su abridor.

#### TEMPORIZADOR DE CIERRE (NO activar el temporizador de cierre con puertas de una sola pieza)

El temporizador de cierre comanda automáticamente el cierre de la puerta después de un período preestablecido que puede regularse con el control de la puerta. Antes de que la puerta se cierre se escuchará una señal sonora y se verá una alerta visual.

#### ASSURELINK™

AssureLink™ genera una señal de 900MHz para establecer comunicaciones entre el abridor y los accesorios AssureLink™. El abridor de la puerta de cochera es compatible hasta con 8 accesorios AssureLink™.

#### CONTROL REMOTOS Y CONTROL DE LA PUERTA DE ASSURELINK™

El abridor de la puerta de cochera ya viene programado de fábrica para funcionar con el control remoto, que cambia cada vez que se usa y puede acceder aleatoriamente a más de cien mil millones de código nuevos. Antiguos accesorios Craftsman no son compatibles.

Accesorios	CAPACIDAD DE LA MEMORIA
Controles remoto	Hasta 8
Controles de la puerta	Hasta 2 controles de la puerta AssureLink™
Entrada sin llave	Hasta 1

#### THE PROTECTOR SYSTEM® (SENSORES DE SEGURIDAD DE REVERSA)

Cuando están correctamente instalados y alineados, los sensores de reversa de seguridad detectarán una obstrucción en el trayecto del haz infrarrojo. Si una obstrucción rompe el haz infrarrojo mientras se cierra la puerta, ésta se detendrá y retrocederá hasta la posición totalmente abierta, y las luces del abrepuertas parpadearán 10 veces. Si la puerta está totalmente abierta, y los sensores no están instalados o están desalineados, la puerta no se cerrará desde un control remoto. Sin embargo, puede cerrar la puerta si mantiene presionado el botón del control o de la entrada sin llave hasta que la puerta se cierre por completo. Los sensores de reversa de seguridad no afectan el ciclo de apertura.

#### CONSERVACIÓN DE ENERGÍA

Para ahorrar energía, el abrepuertas de garaje pasará a modo pasivo cuando la puerta esté totalmente cerrada. En modo pasivo, el abrepuertas de garaje permanece apagado hasta que vuelva a activarse. En modo pasivo está en sincronización con la bombilla del abridor de la puerta de cochera. Al apagarse la bombilla, se apagarán los LED de los sensores y cuando se enciendan las luces del abridor de la puerta de cochera, se encenderán los LED del sensor. El abridor de la puerta de cochera no pasará al modo pasivo hasta que haya completado 5 ciclos desde que se accionó.

#### LUCES

Las luces del abridor se encenderán cuando el abridor se enchufa inicialmente, después de un corte de energía o al activarse el abridor. Las luces se apagarán automáticamente después de 4 y medio minutos. Puede usarse una bombilla incandescente A19 (de hasta 100 W) o una bombilla fluorescente de alto rendimiento (CFL) de hasta 26 W (equivalente a 100 W) para obtener la máxima eficiencia de energía.

## **Funciones (continuación)**

### **CÓMO USAR EL ABRIDOR DE LA PUERTA DE COCHERA**

El abridor de la puerta de cochera puede activarse con un control de la puerta montado en la pared, con una llave digital inalámbrica o con un accesorio AssureLink™.

Cuando la puerta está cerrada y el abridor de la puerta de cochera está activado, se abrirá la puerta. Si hay una obstrucción durante la apertura, la puerta se detendrá. Cuando la puerta está cerrada y el abridor de la puerta de cochera está activado, se abrirá la puerta. Si el abridor detecta una obstrucción mientras se cierra, la puerta invertirá su dirección de movimiento. Si una obstrucción

interrumpe el haz del sensor, las luces del abre-puertas de garaje parpadearán 10 veces. Sin embargo, puede cerrar la puerta si mantiene presionado el botón del control o de la entrada sin llave hasta que la puerta se cierre por completo. Los sensores de seguridad de reversa no efectivo el círculo apertura.

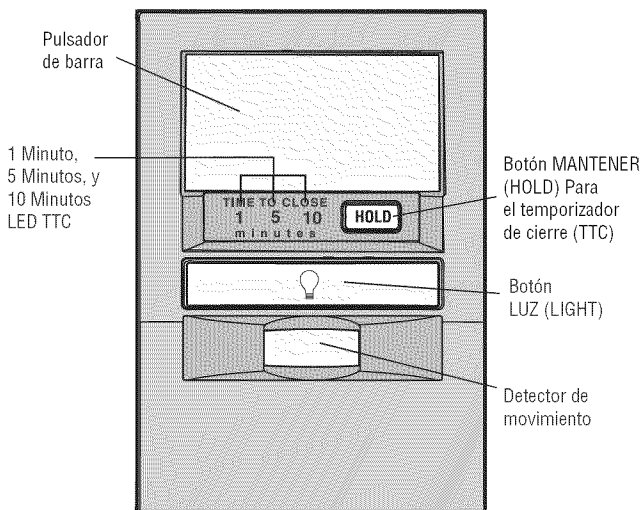
El sensor de reversa de seguridad debe estar bien conectado y alineado antes de que el abre-puerta se mueva hacia abajo.

## **Control de la puerta**

### **SINCRONIZACIÓN DEL CONTROL DE LA PUERTA**

Para sincronizar el control con el abre-puertas de garaje, presione el pulsador de barra hasta que se active el abridor de la puerta de cochera (podría llevar hasta tres intentos). Pruebe el control de la puerta presionando el pulsador de barra. Cada vez que se presiona el pulsador de barra, se activará el mecanismo del abridor de la puerta de cochera.

### **MONTAJE DEL CONTROL DE PUERTA**



#### **Pulsador de barra**

Oprima la barra pulsadora para abrir o cerrar la puerta.

#### **Botón de luces**

Oprima el botón de luces para encender o apagar las luces del abridor. Las luces permanecerán encendidas hasta que se vuelva a pulsar el botón o hasta que se active el abridor. Después de activarse el abridor de la puerta de cochera, las luces permanecerán encendidas el tiempo especificado (la configuración de fábrica es de cuatro minutos y medio). Este botón no controla las luces del abridor cuando la puerta está en movimiento. La duración del período de luces encendidas se puede ajustar usando el control de la puerta.

**Las funciones del control pueden programarse a través de los menús y botones de navegación:**

#### **PROGRAMAR UN DISPOSITIVO**

Cualquier control remoto, entrada sin llave o accesorios compatible con Assurelink™ pueden ser programados para la puerta del garaje pulsando el botón de aprender en el panel de control con detección de movimiento.

#### **Bloqueo**

La función de BLOQUEO (LOCK) impide la activación del abridor de la puerta de cochera con un control remoto pero permite igualmente la activación desde el control de la puerta y la entrada sin llave. Esto es útil como medida extra de seguridad cuando no hay nadie en la casa (por ejemplo, durante vacaciones).

#### **Temporizador de cierre (TTC)**

NO activar el temporizador de cierre con puertas enterizas (de una sola pieza). Esta función puede utilizarse ÚNICAMENTE con puertas seccionales. Esta función viene desactivada de fábrica. Se utiliza para cerrar automáticamente la puerta después de cierto tiempo, desde la posición totalmente abierta (1, 5 o 10 minutos). Antes de que se cierre la puerta, el abridor emitirá un sonido de advertencia y las luces se encenderán intermitentemente. Si la puerta se topa con un obstáculo mientras se cierra, el abridor de la puerta de cochera intentará cerrar la puerta por segunda vez. Si el obstáculo no se ha quitado después del segundo intento, el abridor de la puerta de cochera se abrirá hacia la dirección inversa, se detendrá y NO se cerrará hasta que se haya quitado el obstáculo. Esta función NO se activará si el abridor de la puerta de cochera está funcionando con batería o si los sensores de reversa de seguridad no están alineados correctamente. Esta función NO debe ser el método principal para cerrar la puerta del garaje. **Si se usa esta función es conveniente instalar una entra sin llave para el caso de que el usuario quede accidentalmente del lado de afuera después de que se haya cerrado la puerta.**

#### **LUZ AUTOMÁTICA**

##### **Detector de movimiento**

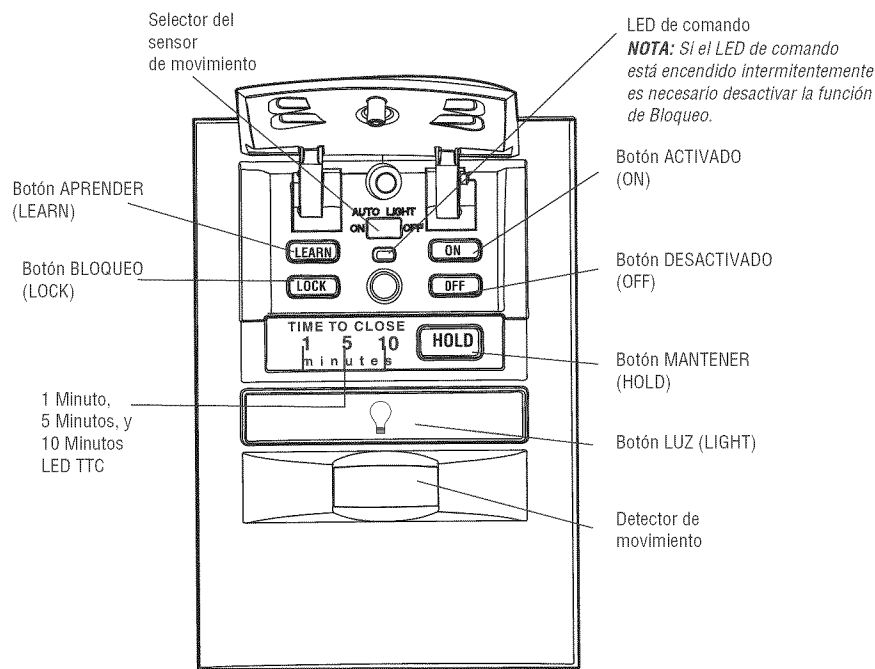
Esta función viene desactivada de fábrica. El detector de movimiento comandará automáticamente el encendido de las luces del abridor. Las luces se encenderán durante el período programado y luego se apagarán. Si se desea usar la luz del abre-puerta permanentemente es necesario desactivar la función automática para evitar que se apague cuando usted quede fuera del alcance del sensor de movimiento.

##### **Función de luz**

Las luces se encenderán cuando alguien entre por la puerta del garaje y sea interrumpido el haz de los sensores de seguridad.



## Panel de control con detector de movimiento:



### TEMPORIZADOR DE CIERRE (TTC)

**NOTA:** NO activar el temporizador de cierre con puertas enterizas. Esta función puede utilizarse ÚNICAMENTE con puertas seccionales.

#### Activar:

Mantenga presionado el botón de encendido hasta se encienda uno de los LED del TTC. A continuación, presione de nuevo el botón de ENCENDIDO (ON) para desplazarse por las opciones de intervalos de tiempo (el LED del TTC correspondiente se encenderá para cada intervalo de tiempo). Las bombillas del abridor de la puerta de cochera se encenderán intermitentemente para indicar la confirmación.

#### Desactivar:

Mantener oprimido el botón de Apagado (OFF) hasta que se apaguen los LED TTC y se escuche una señal sonora proveniente del motor.

#### Mantenga la puerta abierta temporalmente (TTC suspendido):

Presione y suelte el botón MANTENER ABIERTA (HOLD OPEN). Presione el botón MANTENER ABIERTA (HOLD OPEN) nuevamente para reanudar el funcionamiento normal del TTC.

### CERRAR

#### Activar:

Presione y mantenga presionado el botón de Bloqueo (LOCK) durante 2 segundos. El LED de comando se encenderá intermitentemente mientras esté activada la función de Bloqueo y el control remoto quedará desactivado.

#### Desactivar:

Presione y mantenga presionado el botón de BLOQUEO (BLOCK) nuevamente por 2 segundos. El LED de comando dejará de titilar y se reanudará el funcionamiento normal.

### LUZ

#### Para cambiar el tiempo que las luces del abridor de la puerta de cochera permanecen encendidas:

Mantenga presionado el botón de BLOQUEO (LOCK) hasta que las luces se enciendan intermitentemente.\* El tiempo estará indicado por la cantidad de veces que parpadeen las Luces.

CANTIDAD DE VECES QUE LAS LUCES SE ENCIENDEN Y APAGAN	TIEMPO EN QUE LAS LUCES DEL ABRIDOR DE LA PUERTA DE COCHERA PERMANECEN ENCENDIDAS
1	1 ½ minutos
2	2 ½ minutos
3	3 ½ minutos
4	4 ½ minutos

Para volver a ver los intervalos repetir los pasos anteriores.

### FUNCIÓN DE LUZ

Las luces se encenderán si alguien entra por la puerta del cochera y se interrumpe el haz infrarrojo de los sensores de seguridad.

#### Desactivar:

Mantener oprimido el botón de LUZ hasta que las luces se enciendan y se apaguen nuevamente.\*

#### Activar:

Comience con las luces encendidas del abre-puertas de garaje. Mantenga presionado el botón de LUZ (LIGHT) hasta que las luces se apaguen y se enciendan nuevamente.\*

### DETECTOR DE MOVIMIENTO

#### Activar/Desactivar:

Mueva el botón del sensor de movimiento a la posición ENCENDIDO (ON) o APAGADO (OFF).

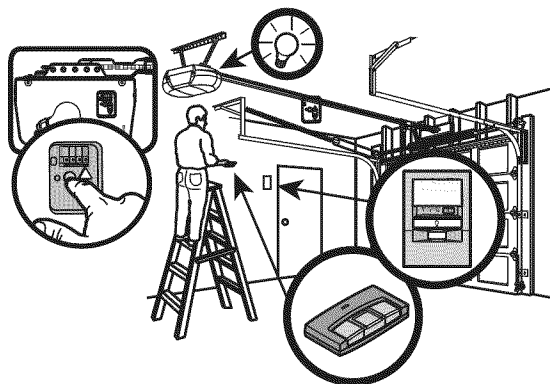
\* Aproximadamente 10 segundos

## Programación

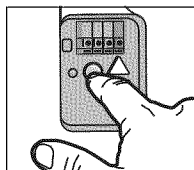
Su abridor de la puerta de cochera ya viene programado de fábrica para operar con su control remoto. Los accesorios más antiguos Craftsman® NO son compatibles, véanse los accesorios compatibles bajo el título "Accesorios" en la página 40. La programación puede realizarse con el control de la puerta o el botón "Aprender" del abridor. Para programar otros controles remotos consultar las instrucciones que vengan con dichos controles.

**NOTA IMPORTANTE:** Si su vehículo está equipado con un Homelink®, puede necesitar un adaptador externo según la marca, modelo y año de su vehículo. Visite [www.homelink.com](http://www.homelink.com) para obtener información adicional.

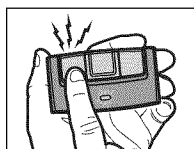
### CÓMO AGREGAR UN CONTROL REMOTO USAR EL BOTÓN APRENDER



1. Pulsar el botón Aprender del abridor de la puerta. La luz indicadora de este botón estará encendida por 30 segundos.



2. Dentro de los siguientes 30 segundos oprima y suelte el botón rojo del control remoto.

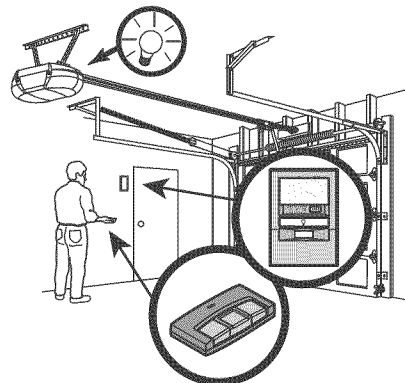


3. Soltar el botón cuando se encienda intermitentemente la luz del abridor de la puerta. Ya aprendió el código. Si no se han puesto bombillas se escucharán dos clics.

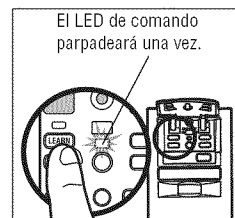


Al cambiar la tapa de las luces verificar que el conductor de antena quede colgando hacia abajo.

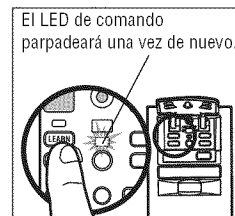
### CÓMO AGREGAR, REPROGRAMAR O CAMBIAR UN CONTROL REMOTO/ UN CLAVE DE ENTRADA SIN LLAVE CON EL PANEL DE CONTROL CON LA CAPACIDAD DE DETECTAR MOVIMIENTO



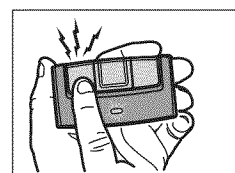
1. Presione el botón PROGRAMAR (LEARN) en el control fijo para pasar al modo de programación.



2. Presione nuevamente el botón PROGRAMAR (LEARN) y el LED parpadeará una vez.



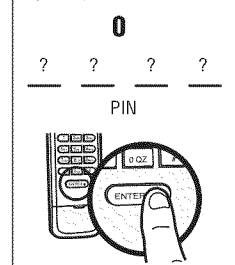
3. Presione el botón del control remoto con el cual desea comandar la puerta.



**0**  
Escriba un número de cuatro dígitos (PIN) como código personal de uso en el teclado de acceso con llave digital. Pulsar el botón ENTER.

Las luces del abre-puertas de garaje parpadearán (o se escucharán dos clics) cuando el código quede programado.

Repetir los pasos anteriores para programar otros controles remoto o teclados digitales de acceso.



## Para borrar la memoria

### BORRAR TODOS LOS DATOS DE CONTROL REMOTO Y ENTRA SIN LLAVE

1. Mantenga presionado el botón programar (aprender) en el abridor de la puerta de cochera hasta que se apague el LED (aproximadamente 6 segundos). Se borrarán todos los códigos de los controles y entradas sin llave. Vuelva a programar todo accesorio que desee usar.

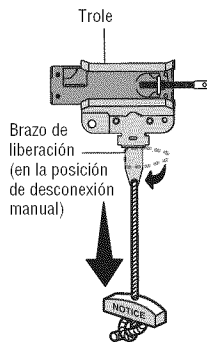
### BORRAR TODOS LOS DISPOSITIVOS (INCLUYENDO LOS ACCESORIOS ASSURELINK™)

1. Mantenga presionado el botón programar (aprender) en el abridor de la puerta de cochera hasta que se apague el LED (aproximadamente 6 segundos).
2. Inmediatamente presione el botón programar (aprender) hasta que el LED se apague. Todos los códigos estarán borrados. Vuelva a programar todo accesorio que desee usar.

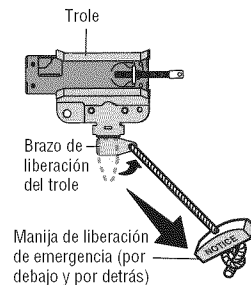
## Para abrir la puerta manualmente

### CÓMO DESCONECTAR EL TROLE

1. Si es posible, la puerta se debe cerrar completamente.
2. Jale la manija de desenganche de emergencia para que el brazo de desenganche del trole quede en posición vertical. A continuación, la puerta se puede subir y bajar manualmente siempre que sea necesario.



### Posición con el seguro (desconexión manual)



### Para reconectar

### CÓMO RECONECTAR EL TROLE

1. Jale la manija de desenganche emergencia hacia el abridor de la puerta de cochera para que el brazo del carro quede en posición horizontal. El carro se volverá a conectar en la próxima operación de movimiento hacia ARRIBA o hacia ABAJO, ya sea manualmente o usando el control de de la puerta o el control remoto.

## Mantenimiento de su abridor de puerta de cochera

### CALENDARIO DE MANTENIMIENTO

#### Una vez al mes

- Haga funcionar la puerta manualmente. Si esta desbalanceada o se pandea, llame a un técnico especializado en sistemas de puertas.
- Verifique que la puerta se abra y se cierre completamente. Ajustar si es necesario, vea la página 28.
- Pruebe el sistema de reversa de seguridad. Ajustar si es necesario, vea la página 28.

#### Anualmente

- Ponga aceite en los rodillos, los cojinetes y las bisagras de la puerta. El abridor de puerta de cochera necesita lubricación adicional. No lubrique los carriles de la puerta.

## ⚠ ADVERTENCIA

Para evitar la posibilidad de una LESIÓN GRAVE O INCLUSO LA MUERTE si la puerta del cochera se cae:

- De ser posible, use el desenganche de emergencia para soltar el carro SÓLO cuando la puerta del cochera esté CERRADA. Si los resortes están débiles o rotos o si la puerta está desequilibrada, podría abrirse y caer rápida y/o inesperadamente.
- NUNCA use la manija de emergencia a menos que la entrada a la cochera esté libre de obstrucciones y no haya ninguna persona presente.
- NUNCA use la manija para tirar de la puerta para abrirla o cerrarla. Si el nudo de la cuerda se suelta, usted podría caerse.

## LA BATERÍA DEL CONTROL REMOTO

## ⚠ ADVERTENCIA

Para evitar una LESIÓN GRAVE O INCLUSO LA MUERTE:

- NUNCA permita que los niños pequeños estén cerca de las baterías.
- Si alguien se traga una batería, llame al médico de inmediato.

Para reducir el riesgo de explosión o quemadura:

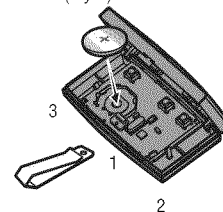
- Reemplace ÚNICAMENTE con baterías planas 3V2032.
- NO recargar, desarmar, calentar por sobre 212 °F (100 °C) ni incinerar.

La batería de litio debe producir energía durante tres años.

Para cambiar la batería, use el broche del visera o un destornillador para abrir la tapa, tal como se indica en la ilustración. Coloque la batería con el lado positivo hacia arriba (+).

Reemplace las baterías sólo por baterías de tipo botón 3V2032. Elimine las baterías usadas en forma adecuada.

Con el gancho del control ábralo primero en el medio (1) y después de cada lado (2 y 3).



AVISO: Las normas de la FCC de EE.UU. y las normas IC de Canadá prohíben la modificación de este transceptor. NO HAY PIEZAS REPARABLES POR EL USUARIO. Cualquier cambio o modificación no aprobada expresamente por el tercero responsable del cumplimiento podría invalidar la autoridad del usuario para operar el equipo.

Este dispositivo cumple con la parte 15 de las Reglamentaciones de la FCC de EE.UU. y con las normas IC RSS-210 El uso está sujeto a las siguientes condiciones: (1) Este dispositivo no debe causar interferencia perjudicial, y (2) este dispositivo debe poder recibir interferencia, incluso interferencia que pueda afectar su funcionamiento. Este aparato digital de Clase B cumple con las normas canadienses ICES-003.

AVIS: Les règles de la FCC et/ou d'Industrie Canada (IC) interdisent tout ajustement ou toute modification de ce récepteur. IL N'EXISTE AUCUNE PIÈCE SUSCEPTIBLE D'ÊTRE ENTRETENUE PAR L'UTILISATEUR. Tout changement ou toute modification non expressément approuvé par la partie responsable de la conformité peut avoir pour résultat d'annuler l'autorité de l'utilisateur de faire fonctionner l'équipement. Cet appareil est conforme aux dispositions de la partie 15 du règlement de la FCC et de la norme IC RSS-210. Son utilisation est assujettie aux deux conditions suivantes: (1) ce dispositif ne peut causer des interférences nuisibles, et (2) ce dispositif doit accepter tout interférence reçue, y compris une interférence pouvant causer un fonctionnement non souhaité. Cet appareil numérique de la classe B est conforme à la norme NMB-003 du Canada.

## RESOLUCIÓN DE PROBLEMAS

### TABLA DE DIAGNÓSTICO

El abridor de la puerta de cochera viene programado con funciones de autodiagnóstico. Las flechas hacia ARRIBA y ABAJO se encienden para mostrar los códigos de diagnóstico.

LA FLECHA HACIA ARRIBA PARPADEA	LA FLECHA HACIA ABAJO PARPADEA	SÍNTOMA	SOLUCIÓN
1	1	El abridor de la puerta de cochera no cierra la puerta y la luz se enciende intermitentemente.	Sensores de seguridad no instalados, no conectados o cable cortado. Inspeccionar los cables del sensor para detectar si están desconectados o cortados.
1	2	El abridor de la puerta de cochera no cierra la puerta y la luz se enciende intermitentemente.	Hay un cable en cortocircuito o invertido para los sensores de seguridad. Inspeccione el cable del sensor de seguridad en todos los puntos de engrapado y de conexión y reemplace el cable o corrija, según sea necesario.
1	3	El control de la puerta no funciona.	Los cables tienen un cortocircuito o el control de la puerta es defectuoso. Inspeccione los cables del control de la puerta en todos los puntos de fijación y conexión.
1	4	El abridor de la puerta de cochera no cierra la puerta y la luz se enciende intermitentemente.	Los sensores de seguridad están mal alineados o estaban momentáneamente obstruidos. Realignar ambos sensores para asegurar que ambos LED estén estables y no parpadeen. Asegúrese de que no haya nada colgado ni montado en la puerta que pudiera interrumpir el recorrido de los sensores mientras se cierra la puerta.
1	5	La puerta se mueve de 6 a 8 pulgadas, se detiene o retrocede.	Abra y cierre la puerta manualmente. Verificar si hay obstrucciones, por ejemplo un resorte roto o bloqueo de puerta, corregir según sea necesario. Verificar las conexiones de cableado en el módulo de desplazamiento y en el tablero lógico. Reemplazar el módulo de desplazamiento, si es necesario.
		No hay movimiento, tan solo un clic.	Abra y cierre la puerta manualmente. Verificar si hay obstrucciones, por ejemplo un resorte roto o bloqueo de puerta, corregir según sea necesario. Reemplazar el tablero lógico, si es necesario.
		El abridor hace un zumbido durante 1-2 segundos sin movimiento.	El abridor hace un zumbido durante 1-2 segundos sin movimiento.
1	6	La puerta se desliza después de haberse detenido por completo.	Programe el recorrido hasta la posición de recorrido o pídale a un técnico profesional que equilibre la puerta.
2	1-5	No hay movimiento ni sonido.	Reemplace el tablero lógico.
3	2	No se puede fijar la posición de recorrido o sujeción.	Verificar el montaje adecuado del módulo de desplazamiento, reemplazar si es necesario.

## RESOLUCIÓN DE PROBLEMAS

LA FLECHA HACIA ARRIBA PARPADEA	LA FLECHA HACIA ABAJO PARPADEA	SÍNTOMA	SOLUCIÓN
4	1-4	La puerta se mueve, se detiene o retrocede.	Abra y cierre la puerta manualmente. Verificar si hay obstrucciones, por ejemplo un resorte roto o bloqueo de puerta, corregir según sea necesario. Si la puerta estuviera trabada o pegada, llamar a un técnico profesional en sistemas de puertas. Si la puerta no se traba o adhiere, intentar reprogramar el recorrido (consultar la página 28).
4	5	El abre-puertas se mueve aproximadamente de 6 a 8 pulgadas, se detiene y retrocede.	Error de comunicación con el módulo de desplazamiento. Verifique las conexiones del módulo de recorrido y reemplace el módulo si es necesario.
4	6	El abridor de la puerta de cochera no cierra la puerta y la luz se enciende intermitentemente.	Los sensores de seguridad están mal alineados o estaban momentáneamente obstruidos. Realinear ambos sensores para asegurar que ambos LED estén estables y no parpadeen. Asegúrese de que no haya nada colgado ni montado en la puerta que pudiera interrumpir el recorrido de los sensores mientras se cierra la puerta.

### El abridor de la puerta de cochera emite una señal sonora:

- Una alerta visual y sonora de que una puerta se está cerrando automáticamente con un monitor de puerta, AssureLink™ Internet Gateway o temporizador de cierre (TTC).

### El control remoto no activa la puerta de cochera:

- Verifique que la función de bloqueo no esté activada en el control de la puerta.
- Vuelva a programar el control remoto.
- Si aún así el control remoto no activa la puerta, revise los códigos de diagnóstico para comprobar que el abridor de la puerta de cochera esté funcionando correctamente.

### La puerta no cierra y la luz parpadea en la unidad del motor:

El sensor de reversa de seguridad debe estar bien conectado y alineado antes de que el abre-puerta se mueva hacia abajo.

- Verifique que los sensores de seguridad estén debidamente instalados, alineados y libres de obstrucciones.

### Las luces del abridor de mi cochera no se apagan cuando la puerta está abierta:

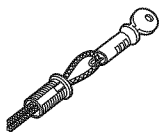
El abridor de la puerta de cochera tiene una función que enciende las luces cuando los sensores de reversa de seguridad indican una obstrucción o cuando el sensor de movimiento del control de la puerta detecta movimiento en el garaje. Estas funciones pueden desactivarse con el control, vea la página 33.

### La puerta de mi cochera se abre con el control remoto de mi vecino:

Borre la memoria de su abridor de la puerta y vuelva a programar el control remoto.

## ACCESORIOS

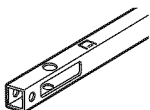
139.53702



### Liberador de la llave de emergencia:

Se requiere en las cocheras que NO tienen puerta de acceso. Permite al dueño de la casa abrir la puerta de la cochera manualmente desde el exterior, desconectando el trole.

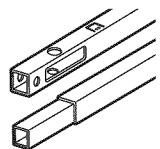
139.53728



### Extensión del riel de 2.4 m (8 pies):

Permite que una puerta de 2.4 m (8 pies) se abra completamente.

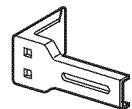
139.53729



### Extensión del riel de 3 m (10 pies):

Permite que una puerta de 3 m (10 pies) se abra completamente.

041A5281-1

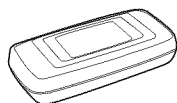


### Ménsulas de extensión:

*(Sólo están disponibles a través de Refacciones y Servicio Sears)*

(Opcionales) Para la instalación del sensor de seguridad en la pared o en el piso.

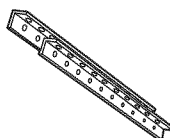
41A7665



### AssureLink™ Internet Gateway:

Accesorio para conexión a computadora e Internet que permite monitorear y controlar abre-puertas de garaje y artefactos de iluminación con tecnología AssureLink™.

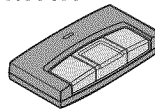
139.53589



### Ménsulas de soporte:

Para cielos rasos sin acabados o en los casos en que se necesite soporte adicional, basado en la construcción de la cochera. Incluye las ménsulas y los sujetadores.

139.30498



### Control remoto:

Compatible con todos los modelos Craftsman desde 1993 hasta el presente. Con broche para visera.

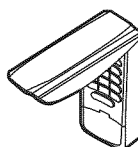
139.30499



### Control remoto de llavero:

Compatible con todos los modelos Craftsman desde 1993 hasta el presente. Con llavero.

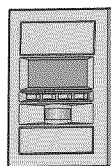
139.3050



### Teclado inalámbrico:

Utilizado del lado de afuera para facilitar el ingreso al garaje con un código de 4 dígitos. Compatible con TODOS los modelos Craftsman desde 1993 hasta el presente.

41A7563



### Smart Control Panel:

Muestra la temperatura, la hora y diagnóstico del sistema, tiene un pulsador para abrir y cerrar la puerta y una función de bloqueo como medida de seguridad.

139.21255



### Control de luz enchufable:

Controla automáticamente las luces a través del abridor de la puerta de garaje, de un control remoto AssureLink™ o de un Craftsman Internet Gateway. Enchufe en cada toma de corriente interior.

## GARANTÍA

### GARANTÍA DE CRAFTSMAN

#### GARANTÍA LIMITADA DE SERVICIO EN EL DOMICILIO DE 90 DÍAS

El presente producto está garantizado contra defectos de material o mano de obra DURANTE 90 DÍAS a partir de la fecha de venta. Un producto defectuoso será reparado sin cargo alguno presentando el justificante de compra.

#### GARANTÍA LIMITADA DE REPUESTOS

El presente producto está garantizado contra piezas defectuosas DESDE EL DÍA 91 HASTA 3 AÑOS a partir de la fecha de venta. Se proporcionará un repuesto nuevo para reemplazar la pieza defectuosa sin cargo alguno presentando el justificante de compra. Se excluyen cualesquiera costos de instalación profesional.

#### GARANTÍA LIMITADA DEL MOTOR

EL motor de este producto está garantizado contra defectos de material o mano de obra DESDE EL DÍA 91 HASTA 10 AÑOS a partir de la fecha de venta. Se proporcionará un motor nuevo para reemplazar el defectuoso sin cargo alguno presentando el justificante de compra. Se excluyen cualesquiera costos de instalación profesional.

#### SERVICIO DE GARANTÍA

Visite la página Web [www.craftsman.com/warranty](http://www.craftsman.com/warranty) para consultar detalles de la cobertura de garantía para reparación de productos o piezas de repuesto.

#### RESTRICCIÓN APLICABLE A LA GARANTÍA

Esta Garantía Limitada para Dispositivo de Apertura de Puerta de Garaje de Craftsman no cubre bombillas, que son componentes fungibles, o piezas de repuesto necesarias debido a uso indebido o negligencia del operario, incluyendo falta de instalación, ajuste y operación de este dispositivo de apertura de puerta de garaje conforme a las instrucciones contenidas en el manual de instalación. La presente garantía limitada tampoco cubre ningún problema causado por interferencias.

#### LIMITACIÓN DE LA RESPONSABILIDAD

El vendedor no será responsable de pérdidas o daños materiales, o pérdidas o gastos resultantes de daños materiales relacionados directa o indirectamente con el uso de este producto. Algunos estados no permiten la exclusión o limitación de daños incidentales o emergentes, de manera que puede que la limitación o exclusión anterior no sea aplicable en su caso.

#### DESCARGO DE RESPONSABILIDAD RESPECTO A GARANTÍAS IMPLÍCITAS

Con la excepción del motor, todas las garantías implícitas de este producto, incluyendo sin limitación cualesquiera garantías implícitas de comerciabilidad o idoneidad para un fin particular, están limitadas en cuanto a su duración al período de garantía de 90 días y desde el 91º día hasta 3 años estipulado con anterioridad. Todas las garantías implícitas relacionadas con el motor están limitadas en cuanto a su duración al período de garantía desde el 91º día hasta 10 años estipulado con anterioridad. No habrá ni resultará de aplicación ninguna garantía implícita después de tales períodos. Algunos estados no permiten limitaciones en cuanto a la duración de las garantías implícitas, de manera que puede que las limitaciones anteriores no sean aplicables en su caso.

La presente garantía se aplica exclusivamente mientras este producto se esté usando en Estados Unidos.

La presente garantía le otorga derechos específicos, y es posible que usted tenga asimismo otros derechos que varían de un estado a otro.

Sears Brands Management Corporation, Hoffman Estates, IL 60179



# Get it fixed, at your home or ours!

## Your Home

For troubleshooting, product manuals and expert advice:



[www.managemylife.com](http://www.managemylife.com)

For repair – **in your home** – of **all** major brand appliances, lawn and garden equipment, or heating and cooling systems, **no matter who made it, no matter who sold it!**

For the replacement parts, accessories and owner's manuals that you need to do-it-yourself.

For Sears professional installation of home appliances and items like garage door openers and water heaters.

**1-800-4-MY-HOME<sup>®</sup>** (1-800-469-4663)

Call anytime, day or night (U.S.A. and Canada)

[www.sears.com](http://www.sears.com)      [www.sears.ca](http://www.sears.ca)

## Our Home

For repair of carry-in items like vacuums, lawn equipment, and electronics, call anytime for the location of your nearest

**Sears Parts & Repair Service Center**

**1-800-488-1222** (U.S.A.)

[www.sears.com](http://www.sears.com)

**1-800-469-4663** (Canada)

[www.sears.ca](http://www.sears.ca)

To purchase a protection agreement on a product serviced by Sears:

**1-800-827-6655** (U.S.A.)

**1-800-361-6665** (Canada)

Para pedir servicio de reparación a domicilio, y para ordenar piezas:

**1-888-SU-HOGAR<sup>®</sup>**

(1-888-784-6427)

[www.sears.com](http://www.sears.com)

Au Canada pour service en français:

**1-800-LE-FOYER<sup>MC</sup>**

(1-800-533-6937)

[www.sears.ca](http://www.sears.ca)

The Sears logo, consisting of the word "sears" in a lowercase, serif font.

® Registered Trademark / <sup>TM</sup> Trademark of KCD IP, LLC in the United States, or Sears Brands, LLC in other countries

® Marca Registrada / <sup>TM</sup> Marca de Fábrica de KCD IP, LLC en Estados Unidos, o Sears Brands, LLC in otros países

<sup>MC</sup> Marque de commerce / <sup>MD</sup> Marque déposée de Sears Brands, LLC