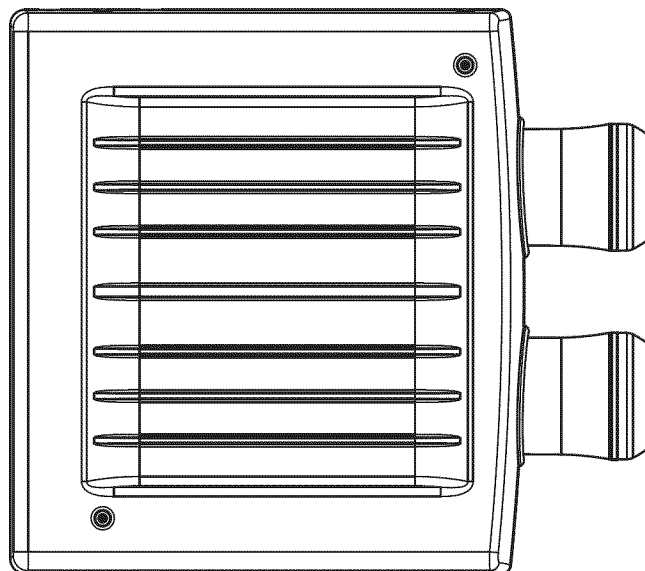


OWNER'S MANUAL



Advanced Two-Stage Drinking Water System

MODEL NO. 625.385010



Caution:

Read and follow all safety rules and operating instructions before first use of this product.

Questions ?

Visit www.KenmoreWater.com

or call toll free 1-800-426-9345 (M - F, 7 AM - 6 PM CST)

Repair or Parts ? Call toll free 1-800-469-4663

See back cover for other Sears service numbers.

SAVE THIS MANUAL

- Warranty
- Installation
- How It Works
- Care Of
- Specifications
- Repair Parts

System tested and certified by NSF International
against NSF/ANSI Standard 42 and 58.
See performance data sheet for details.



Sears Brands Management Corporation, Hoffman Estates, IL 60179 U.S.A.

Warranty

KENMORE ELITE ONE YEAR FULL WARRANTY

When installed, operated and maintained according to all supplied instructions, if this product fails due to a defect in material or workmanship within one year from the date of purchase, call 1-800-4-MY-HOME® to arrange for free repair (or replacement if repair proves impossible).

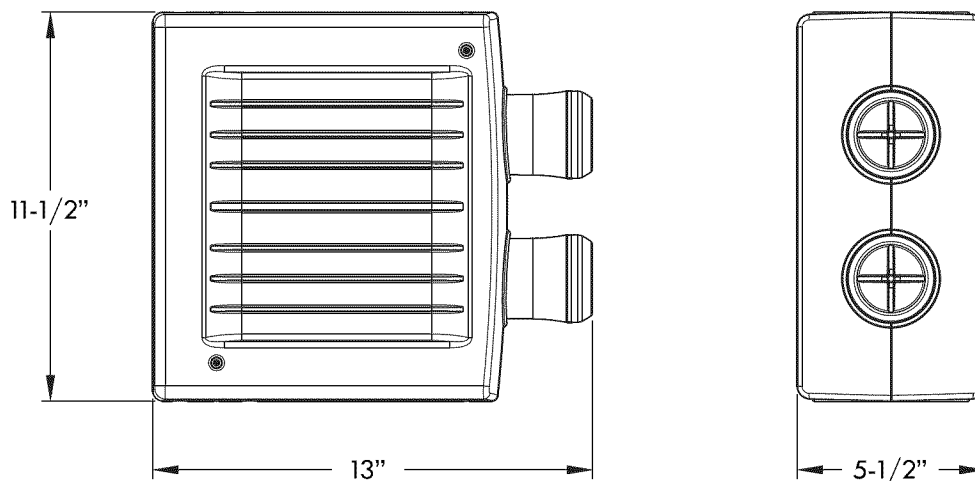
This warranty does not cover the filter cartridges, which are expendable items that can wear out from normal use within the warranty period.

This warranty applies only while this product is in use in the United States or Canada.

This warranty gives you specific legal rights, and you may also have other rights which vary from state to state.

Sears Brands Management Corporation, Hoffman Estates, IL 60179

Dimensions



Questions? Call The Kenmore Water Line 1-800-426-9345 or visit KenmoreWater.com

Table of Contents

Unpack and Check Shipment	4
Plan Your Installation	5
Step 1-Install Supply Water Fitting	6
Step 2-Install Filtered Water Faucet	7
Step 3-Connect Tubes	8
Maintenance	9
Specifications	10
Troubleshooting	10
Exploded View & Parts List	11

Safety Guides

- ▼ Read all steps and guides carefully before installing and using your Advanced Two-Stage Drinking Water Filter. Follow all steps exactly to correctly install. Reading this manual will also help you to get all the benefits from the Advanced Two-Stage Drinking Water Filter.
- ▼ Do not attempt to use this product to make safe drinking water from non-potable water sources. Do not use the system on microbiologically unsafe water, or water of unknown quality without adequate disinfection before or after the system. This system is certified for cyst reduction and may be used on disinfected water that may contain filterable cysts.
- ▼ Check with your local public works department for plumbing and sanitation codes. You must follow their guides as you install the system. Follow your local codes if they differ with guides in this manual. In Massachusetts, plumbing code 248-CMR 3.00 and 10.00 shall be adhered to. Consult with a licensed plumber.
- ▼ The Advanced Two-Stage Drinking Water Filter works on water pressures of 30 psi (minimum) to 125 psi (maximum). If your house water pressure is over the maximum, install a pressure reducing valve in the water supply pipe to the Advanced Two-Stage Drinking Water Filter.
- ▼ Do not install the Advanced Two-Stage Drinking Water Filter outside, or in extreme hot or cold temperatures. Temperature of the water supply to the Advanced Two-Stage Drinking Water Filter must be between 40°F and 100°F. Do not install on hot water.

Unpack and Check Your Carton

INSPECT SHIPMENT

Your Advanced Two-Stage Drinking Water Filter is shipped complete in one carton. Remove all items from your shipping carton.

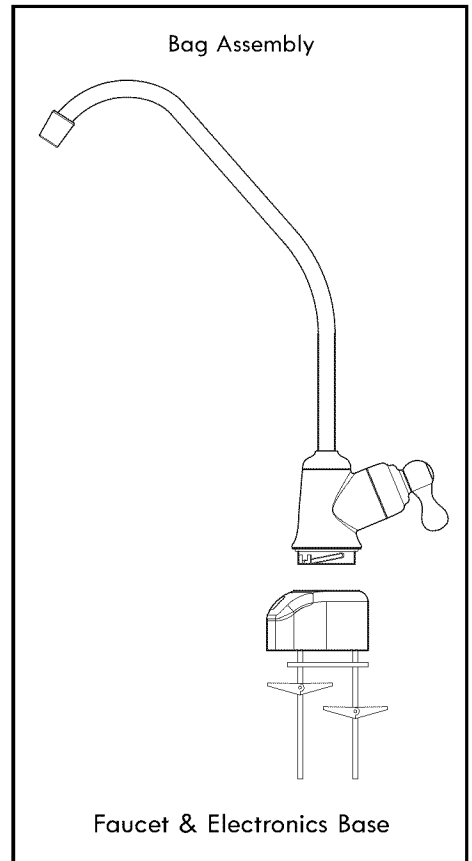
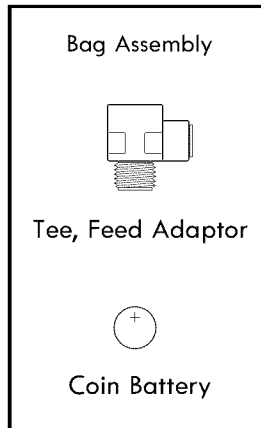
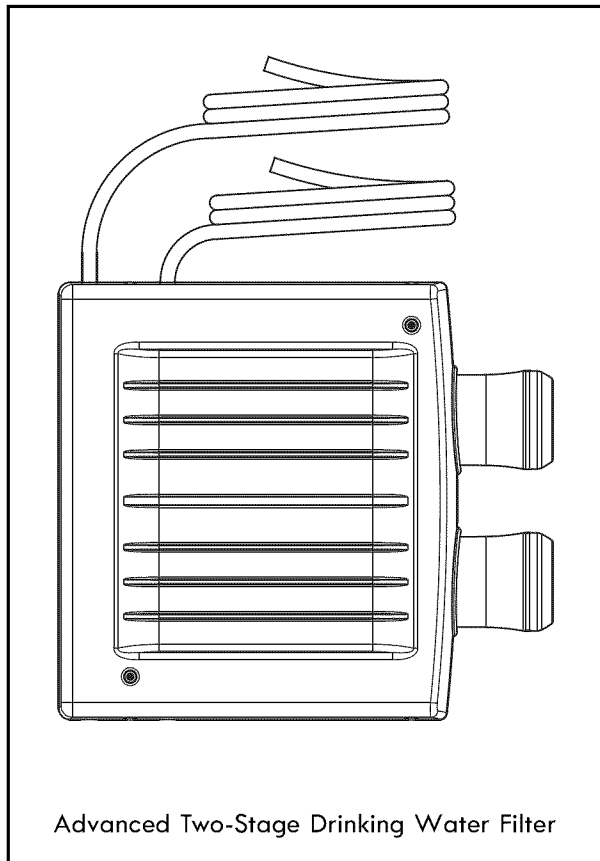
Check all items against the packing list below. Note any items lost or damaged in shipment. Note any damage to the shipping carton. Refer to the exploded view and parts list in the back of the manual for the part names and numbers of missing or damaged items. If problems exist, refer to the website or the toll free number listed throughout this manual.

Keep the small parts in the parts bag until you are ready to install them.

NOTE: Codes in the state of Massachusetts require installation by a licensed plumber.

If you live in the state of Massachusetts, review plumbing code 248-CMR of the Commonwealth of Massachusetts before proceeding with the installation.

Packing List



Questions? Call The Kenmore Water Line 1-800-426-9345 or visit KenmoreWater.com

Plan Your Installation

PLAN YOUR INSTALLATION

It is recommended to read through the entire manual before beginning your installation. Follow all steps exactly. Reading this manual will also help you get all the benefits from your system.

TYPICAL UNDER SINK LOCATION

The Advanced Two-Stage Drinking Water Filter housing is normally located under the kitchen and/or bathroom sink, to filter the cold drinking water. See Figure 2.

CHECK SPACE REQUIREMENTS

Check size and position of items for proper installation into location chosen.

TOOLS NEEDED

Review the tools needed list. See Figure 1. Gather needed tools before proceeding with the installation. Read and follow the instructions provided with any tools listed here.

IMPORTANT: A 1-1/4" dia. hole is needed to mount the filtered water faucet. To avoid damaging the sink, consult a qualified plumber or installer for drilling procedures in porcelain or stainless steel.

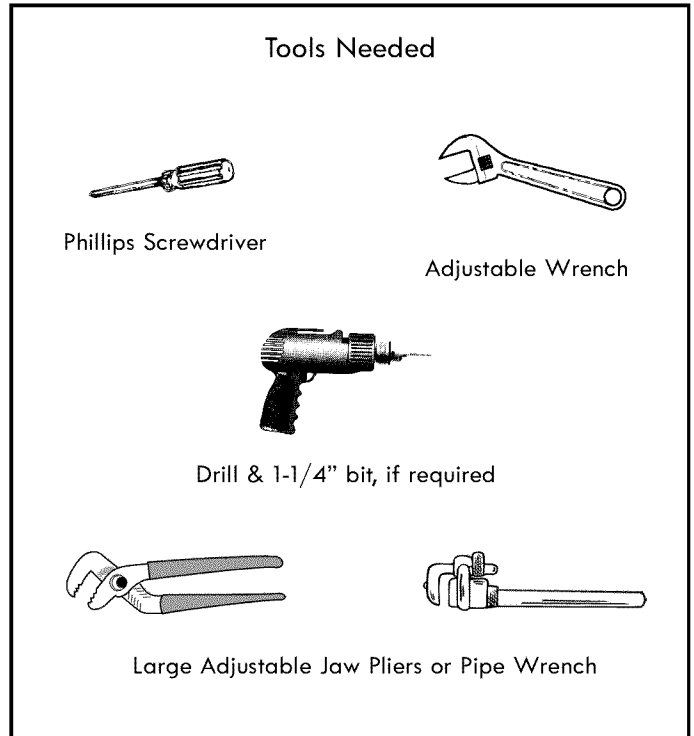


Figure 1

Typical Under Sink Installation

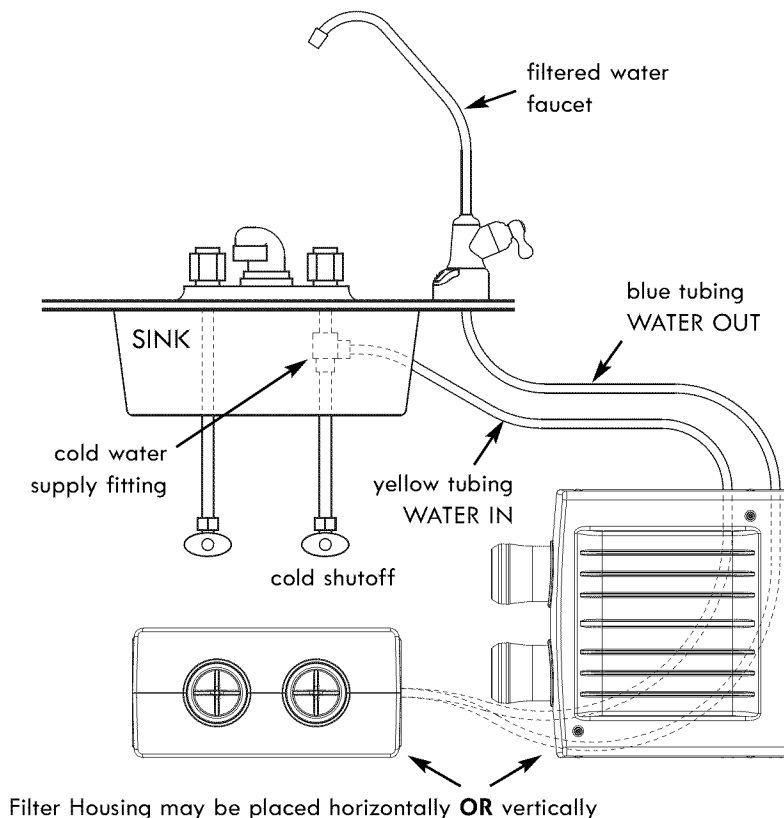


Figure 2

Step 1 - Install Water Supply Fitting

CHOOSE TYPE OF WATER SUPPLY FITTING TO INSTALL

Locate the cold water line in the sink cabinet. Check and comply with local plumbing codes as you plan, and then install a water supply fitting on the sink's cold water line. The fitting must provide a leak-tight connection to the Advanced Two-Stage Drinking Water Filter's 3/8" O.D. inlet tubing. A typical connection using the included water supply fitting is shown in Fig. 3. An alternative connection using standard plumbing fittings (not included) is shown in Fig. 4.

NOTE: Local code may dictate which type of water fitting is used. Consult a plumber if you are not familiar with local codes or plumbing procedures.

NOTE: Codes in the state of Massachusetts require installation by a licensed plumber. If you live in the state of Massachusetts, review plumbing code 248-CMR of the Commonwealth of Massachusetts before proceeding with the installation.

A. WATER SUPPLY CONNECTION USING INCLUDED FITTING

1. Close the house main water shutoff valve and open faucets to drain water from the sink's cold water pipe.
2. Remove the nut that connects the cold water faucet to cold water plumbing.
3. Thread the included water supply fitting onto the pipe and reconnect nut to bottom of fitting.

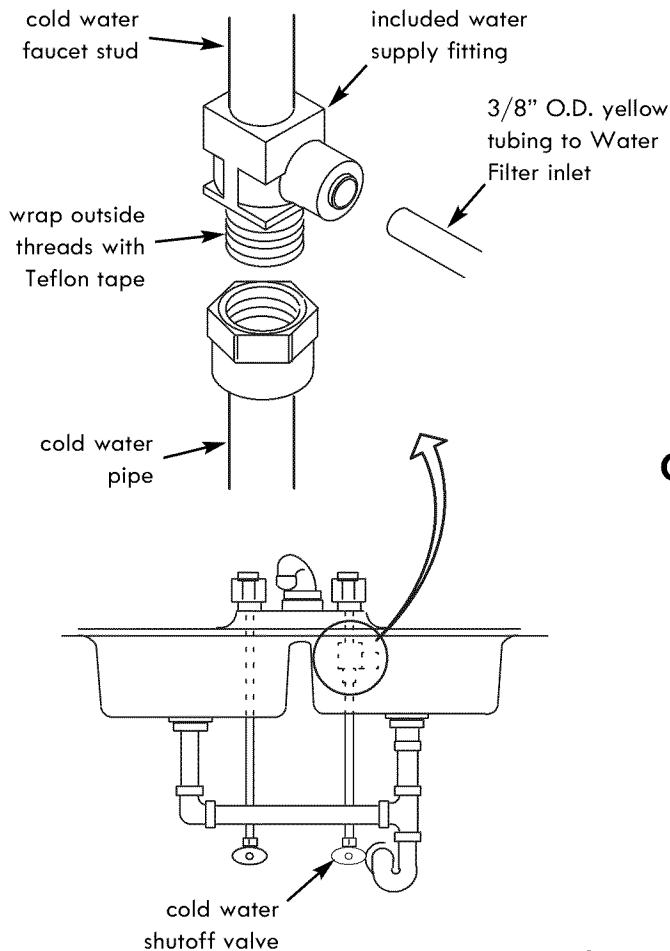


Figure 3

B. WATER SUPPLY TYPICAL CONNECTION USING COMPRESSION TYPE FITTING (PARTS NOT INCLUDED)

NOTE: Before starting, be sure to turn off water supply and open a low faucet to drain the pipe.

Complying with plumbing codes, install a fitting on the cold water pipe to adapt to 3/8" O.D. tubing. A typical connection is shown in Figure 4. If threaded fittings are used, be sure to use pipe joint compound or Teflon tape on outside threads.

OR

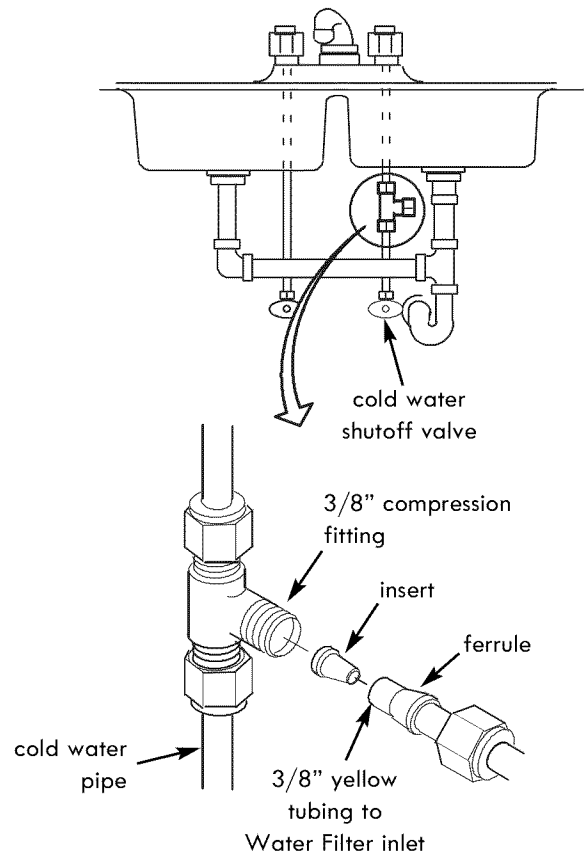


Figure 4

Questions? Call The Kenmore Water Line 1-800-426-9345 or visit KenmoreWater.com

Step 2 - Install Filtered Water Faucet

MAKE HOLE FOR FAUCET

IMPORTANT: A 1-1/4" dia. hole is needed to mount the filtered water faucet. To avoid damaging the sink, consult a qualified plumber or installer for drilling procedures in porcelain or stainless steel.

1. Select one of the following options to install the faucet. Make sure there is room underneath to make the needed connections.
 - Use an existing sink top hole for spray hose or soap dispenser (must be 1-1/4" in diameter).
 - Drill a new hole in the sink top.
 - Drill a hole in the countertop next to the sink.
2. Check to make sure the filtered water faucet base will sit flat against the mounting surface.
3. If drilling is needed, make a 1-1/4" dia. (minimum) hole for the faucet in the mounting surface.

INSTALL FAUCET BASE

1. Locate the faucet base (See Fig. 5) and feed the toggle bolts down through the hole until the faucet base is square against the mounting surface (sink or countertop). The rubber gasket should be between the faucet base and mounting surface.
2. Tighten the toggle bolts until the faucet base is firmly mounted to the surface. **Do not overtighten.**

CONNECT BLUE TUBE TO FAUCET

1. Place the Advanced Two-Stage Drinking Water Filter housing under the sink. It can sit upright or on its side.
2. Locate the blue tube. One end is attached to the filter housing. Feed the other end up through the mounting hole and faucet base. See Figure 6.
3. Refer to the "Cut Tubes to Length" section on Page 8 and cut the blue tube square and to length as needed, leaving about 6 inches above the faucet base.
4. Locate the faucet. Refer to the "Connect Tubes" section on Page 8 and insert the blue tube all the way into the 3/8" quick connect fitting on the faucet bottom.
5. Pull on the tube to be sure it is held firmly in the fitting.

INSTALL FAUCET ON BASE

1. Lower the faucet onto the base. See Figure 7.
2. Give the faucet a 1/4 turn clockwise to attach the faucet to the base.
3. Install battery in faucet base (See "Change Battery" section on Page 9) then continue installation with Step 3 on Page 8.

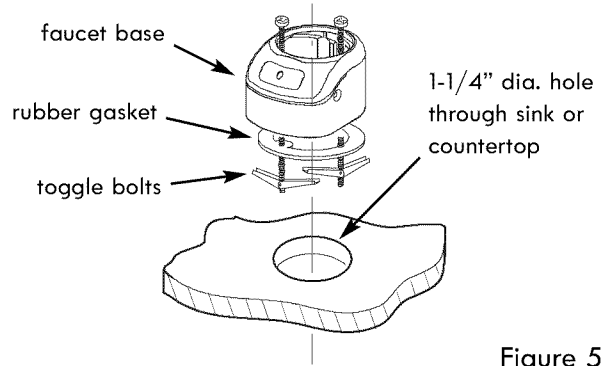


Figure 5

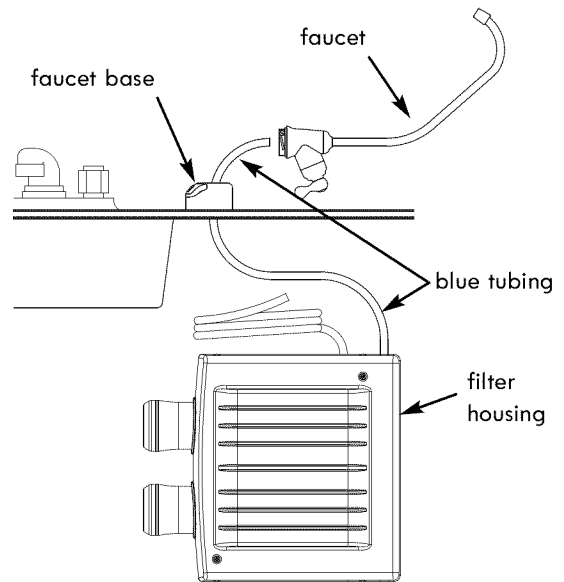


Figure 6

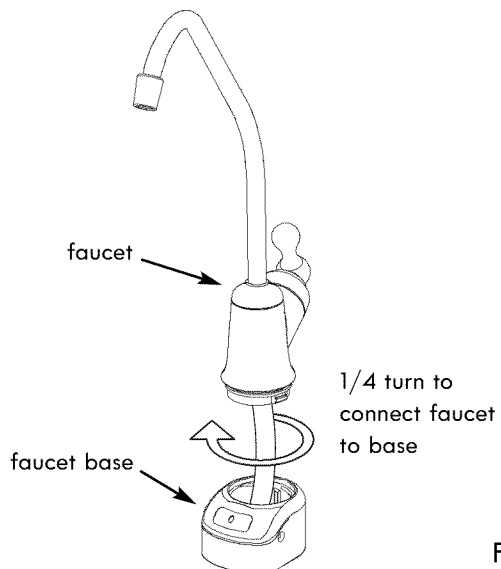


Figure 7

Step 3 - Connect Tubes

CONNECT YELLOW TUBE TO WATER SUPPLY FITTING

1. Locate the yellow tube. One end is attached to the filter housing. Run the other end to the water supply fitting on the cold water pipe. See Figure 8.
2. Refer to the "Cut Tubes to Length" section, below, and cut the yellow tube square and to length as needed.
3. Refer to the "Connect Tubes" section, below, and insert the yellow tube all the way into the 3/8" quick connect fitting on included water supply fitting (installed in Step 1).
4. Pull on the tube to be sure it is held firmly in the fitting.

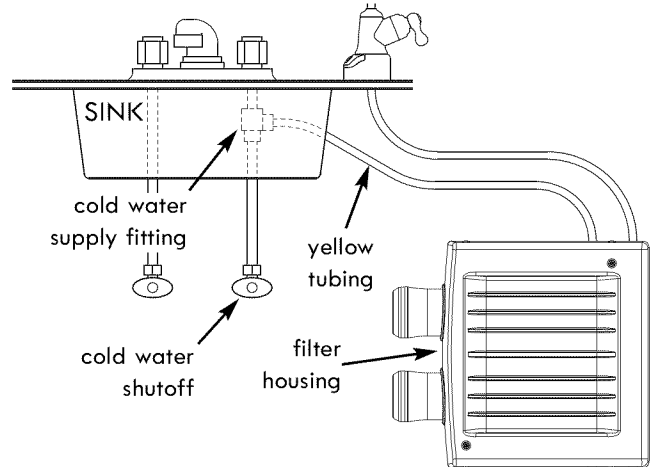


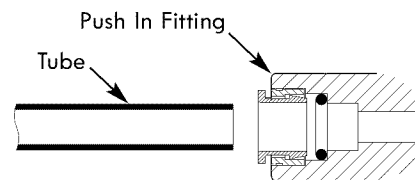
Figure 8

HOW TO CUT AND CONNECT THE TUBES

Your Advanced Two-Stage Drinking Water Filter includes push-in fittings for quick tubing connection. Review the following before connecting the tubes.

Cut tubes to length

1. Use a sharp cutter or knife to cut the end of tubing. Always cut the tubing square. See Figure 9.
2. Inspect the end (about 1") of the tubing to be sure there are no nicks, scratches or other rough spots. If needed, cut the tubing again.



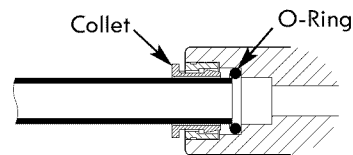
Cut tubing square with end of tubing round, smooth, with no cuts, nicks or flat spots.

Tube Correctly Cut

Figure 9

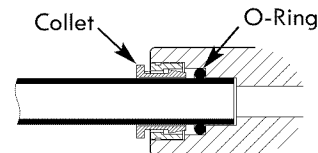
Connect tubes

1. Push tubing through collet, until it engages the o-ring. See Figure 10. Continue pushing until the tube bottoms out against the back of the fitting. See Figure 11. A common mistake is to stop pushing when the tube engages the o-ring. This will lead to future leaks. When a 3/8" tube is fully engaged, 3/4" of the tube has entered the fitting. See Figures 10 & 11.
2. If using tubing other than tubing supplied with the system, be sure it is of high quality, exact size and roundness with a smooth surface.



Tube Partially Engaged With Fitting

Figure 10

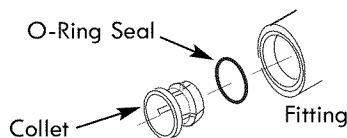


Tube Fully Engaged With Fitting

Figure 11

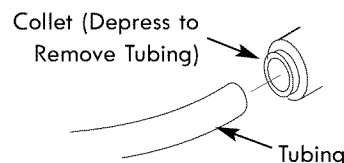
To disconnect tubes

1. Push the collet inward with a finger tip. See Figure 12.
2. Continue holding collet inward while pulling the tubing out. See Figure 13.



Collet and O-Ring

Figure 13



Disconnect Tubing

Figure 12

Questions? Call The Kenmore Water Line 1-800-426-9345 or visit KenmoreWater.com

Maintenance

FAUCET ELECTRONICS

Inside the faucet base is a battery operated 6 month timer. See Figure 14.

An amber LED indicator is also located in the front of the faucet base. This LED will flash continuously after 6 months has passed. This indicates that it is time to replace the battery and filter cartridges.

CHANGE BATTERY

To change (or install) the battery, complete the following steps.

1. Loosen the screw on the right side of the faucet base
See Figure 14.
2. Press the battery housing upwards from the front faucet base until it releases from the faucet base. See Figure 14.
3. Replace (or install) the battery (Maxell CR 2032 or equivalent). Place battery into the holder with the positive (+) side facing the back of the holder.
4. When the battery is first replaced it will flash six times and turn off. This indicates the battery is fully charged. After the six flashes, the timer enters the 6 month time cycle.

NOTE: If the LED repeatedly flashes just two times, it is not a fully charged battery and will need to be replaced.

5. Re-install the timer housing and firmly tighten the mounting screw. See Figure 14.

FILTER CARTRIDGE LIFE

It is recommended to replace the battery and filter cartridges every 6 months of use. There are several variables that determine how long a cartridge will last. These include:

1. How much water you use, and
2. How much sediment, taste and/or odor, or other unwanted substances, are in the water.

Use the following information as a guide. However no matter which type of cartridge you are using, you will know it is time to replace it when you first notice the return of unwanted substances in your water.

Kenmore Elite Advanced Two-Stage Drinking Water Filter model 625.385010 with replacement element pack 42-34381 conforms to NSF/ANSI 42 and 53 for the specific performance claims as verified and substantiated by test data. The rated capacity for this system is 280 gallons (1060 liters) at a rated service flow of 0.5 gpm (gallons per minute).

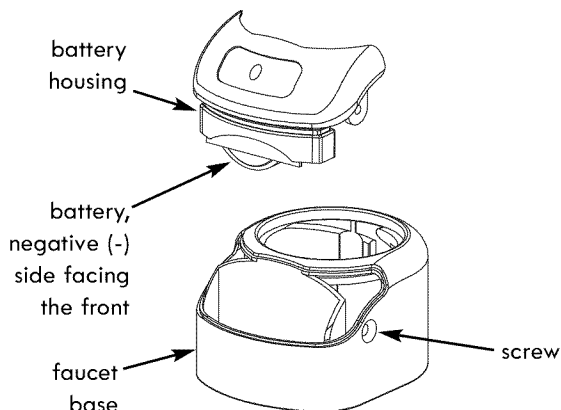


Figure 14

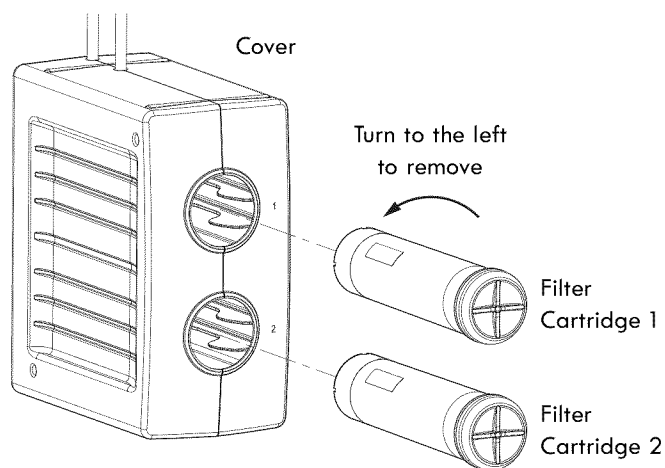


Figure 15

FILTER CARTRIDGE REPLACEMENT

Complete the following steps to replace the cartridges:

1. Turn filter cartridge to the left to remove cartridges from the filter heads. See Figure 15.
2. Dispose of the old cartridges in a proper manner.
3. Install new cartridges, making sure to insert cartridge 1 and 2 into the correct opening (note the printing on the cover designating "Cartridge 1" and "Cartridge 2"). Turn cartridges to the right to re-attach to the filter heads.
4. Remove and replace the timer battery. See "Change Battery" above.

Taste and Odor Cartridges: Filter cartridges contain activated carbon, a black powder. When new, open the filtered water faucet and allow fine carbon particles to purge from the cartridge. Close the faucet when you no longer see the "fines" (carbon particulates) in the filtered water, or approximately 10 minutes.

Specifications

Supply water pressure limits 30-125 psi (207-862 kPa)
 Supply water temperature limits 40-100 °F (5-40 °C)
 Inlet - Outlet 3/8" O.D. tubing, included

This system conforms to NSF/ANSI 42 and 53 for the specific performance claims as verified and substantiated by test data.

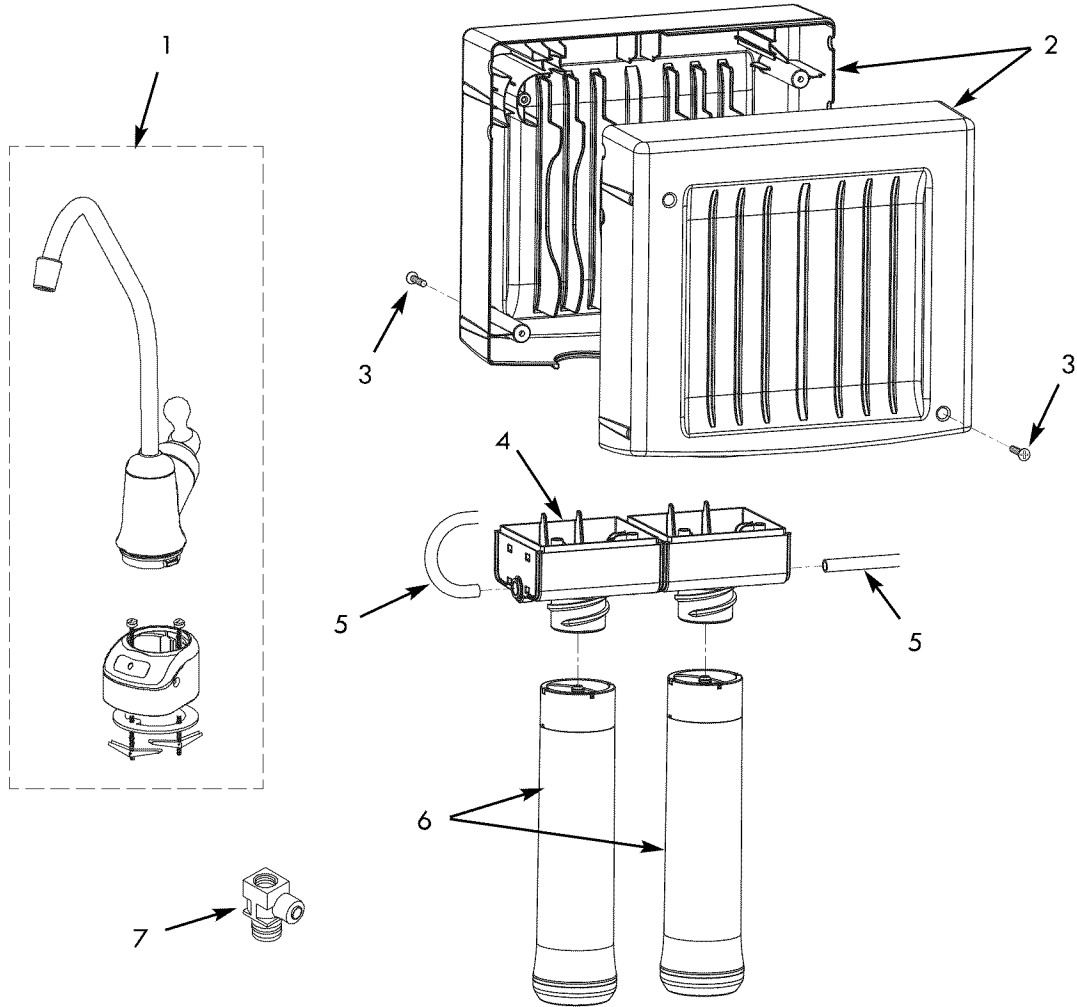
Installations In The Commonwealth Of Massachusetts: The Commonwealth of Massachusetts requires installation be performed by a licensed plumber. Plumbing code 248--CMR of the Commonwealth of Massachusetts must be followed in these cases.

Troubleshooting

Problem: Taste and/or Odor.	
Cause: Pre & Post filter expended.	Correction: Replace the filter cartridges. <i>See Page 9.</i>
Cause: System contaminated.	Correction: Sanitize system. Call 1-800-426-9345 for instructions.
Problem: Faucet LED indicator light does not function after battery change.	
Cause: Battery dead.	Correction: Replace with new battery. <i>See Page 9.</i>
Cause: Battery installed incorrectly.	Correction: Install battery correctly.
Problem: Water leaks at push connect fittings.	
Cause: Tubing not pushed in all the way.	Correction: Push Tubing all the way into fittings. <i>See Page 8.</i>
Cause: Tubing not cut square.	Correction: Cut tubing square. <i>See Page 8.</i>
Cause: Tubing nicked.	Correction: Remove tube from connection. Remove nicked portion by cutting tube to shorter length. Reinsert in connection <i>See Page 8.</i>
Cause: Outer tubing surface not smooth.	Correction: Remove tube from connection. Remove problem area by cutting tube to shorter length. Reinsert in connection <i>See Page 8.</i>

Questions? Call The Kenmore Water Line 1-800-426-9345 or visit KenmoreWater.com

Repair Parts



Key No.	Part No.	Description
1	7292674	Faucet, with base & electronics
-	7328459	Cover Kit (includes Key No. 2 & 4 ea. of Key No. 3)
2	↑	Cover Set (includes both halves)
3	↑	Screw, Cover (4 req.)
4	7280106	Head Assembly
5	7168435	Tubing, 3/8" O.D. x 72" long, White
6	42-34381	Filter Cartridge 1 & 2 set *
7	7228536	Tee Feed Adaptor
■	7314183	Coin Battery
■	7294294	Owner's Manual

* Purchase replacement filter cartridges at your local Sears store, online at www.sears.com or from Sears Parts at 1-800-469-4663.

■ Not illustrated.

Get it fixed, at your home or ours!

Your Home

For troubleshooting, product manuals and expert advice:



www.managemylife.com

For repair – **in your home** – of **all** major brand appliances, lawn and garden equipment, or heating and cooling systems, **no matter who made it, no matter who sold it!**

For the replacement parts, accessories and owner's manuals that you need to do-it-yourself.

For Sears professional installation of home appliances and items like garage door openers and water heaters.

1-800-4-MY-HOME[®] (1-800-469-4663)

Call anytime, day or night (U.S.A. and Canada)

www.sears.com www.sears.ca

Our Home

For repair of carry-in items like vacuums, lawn equipment, and electronics, call anytime for the location of your nearest

Sears Parts & Repair Service Center

1-800-488-1222 (U.S.A.)

1-800-469-4663 (Canada)

www.sears.com

www.sears.ca

To purchase a protection agreement on a product serviced by Sears:

1-800-827-6655 (U.S.A.)

1-800-361-6665 (Canada)

Para pedir servicio de reparación a domicilio, y para ordenar piezas:

1-888-SU-HOGAR[®]

(1-888-784-6427)

www.sears.com

Au Canada pour service en français:

1-800-LE-FOYER^{MC}

(1-800-533-6937)

www.sears.ca

The Sears logo, consisting of the word "sears" in a lowercase, serif font.

® Registered Trademark / TM Trademark of KCD IP, LLC in the United States, or Sears Brands, LLC in other countries

® Marca Registrada / TM Marca de Fábrica de KCD IP, LLC en Estados Unidos, o Sears Brands, LLC en otros países

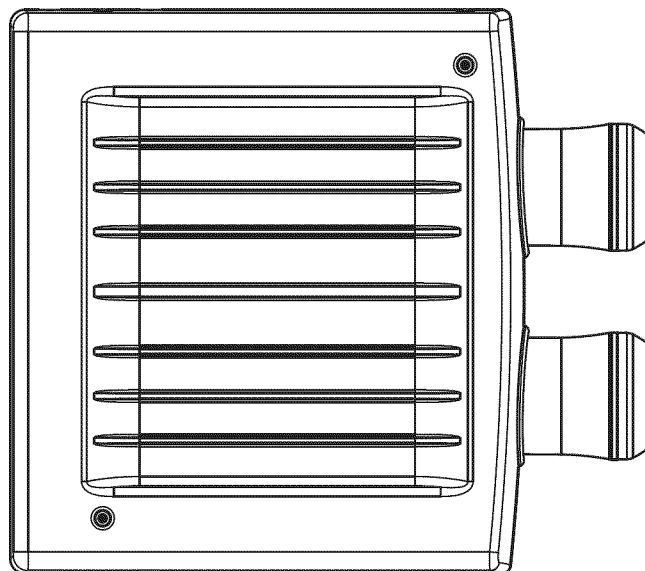
^{MC} Marque de commerce / ^{MD} Marque déposée de Sears Brands, LLC

MANUAL DEL PROPIETARIO



Sistema avanzado de dos etapas para agua potable

MODELO No. 625.385010



Precaución:

Antes de usar este producto por primera vez, lea y siga todas las reglas de seguridad y las instrucciones de operación.

¿Tiene preguntas?

Visite el sitio web www.KenmoreWater.com

o llame gratis al 1-800-426-9345

(lun. a vie., de 7 a.m. a 6 p.m., hora del Centro)

¿Necesita reparación o repuestos? Llame gratis al 1-800-469-4663

Vea otros números de servicio de Sears en la cubierta posterior.

- Garantía
- Instalación
- Cómo funciona
- Cómo cuidar el producto
- Especificaciones
- Piezas de repuesto

CONSERVE ESTE MANUAL

Este sistema ha sido probado y certificado por NSF International para el cumplimiento de las Normas NSF/ANSI 42 y 53. Consulte los detalles en la hoja de datos de rendimiento.



Sears Brands Management Corporation, Hoffman Estates, IL 60179 U.S.A.

Garantía

UN AÑO DE GARANTÍA TOTAL DE KENMORE ELITE

Cuando se haya instalado, operado y mantenido conforme a todas las instrucciones suministradas, si este producto fallara debido a defectos en materiales o mano de obra dentro de un año a partir de la fecha de compra, llame al 1-800-4-MY-HOME® para solicitar la reparación gratuita (o el reemplazo si se demuestra que es imposible repararlo).

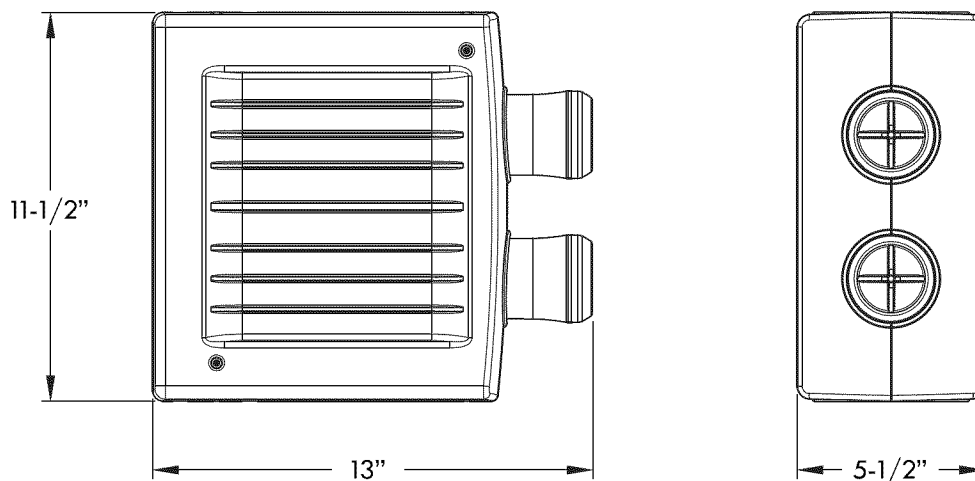
La presente garantía no cubre los cartuchos filtrantes, los cuales son artículos consumibles que pueden desgastarse a causa del uso normal dentro del período de la garantía.

Esta garantía se aplicará solamente mientras el producto se use en los Estados Unidos o Canadá.

Esta garantía le otorga derechos legales específicos, y es posible que usted también tenga otros derechos, los cuales varían de una jurisdicción a otra.

Sears Brands Management Corporation, Hoffman Estates, IL 60179

Dimensiones



¿Tiene preguntas? Llame a la línea de ayuda de Kenmore Water al 1-800-426-9345 o visite el sitio web KenmoreWater.com.

Índice

Desempaque y revise el envío	4
Planee la instalación	5
Paso 1: Instale la unión para el suministro de agua	6
Paso 2: Instale el grifo para el agua filtrada	7
Paso 3: Conecte los tubos	8
Mantenimiento	9
Especificaciones	10
Solución de problemas	10
Vista detallada y lista de piezas	11

Pautas de seguridad

- ▼ Antes de instalar y usar el filtro avanzado de dos etapas para agua potable, lea atentamente todos los pasos y las pautas. Siga exactamente todos los pasos para lograr la instalación correcta. Leer este manual también lo ayudará a obtener todos los beneficios del filtro avanzado de dos etapas para agua potable.
- ▼ No intente utilizar este producto a fin de potabilizar agua proveniente de fuentes no potables. Si el agua es microbiológicamente impura o si se desconoce su calidad, no use el sistema sin una adecuada desinfección antes o después del sistema. Este sistema se ha certificado para la reducción de quistes y puede usarse con agua desinfectada que pueda contener quistes filtrables.
- ▼ Consulte los códigos de plomería y sanidad a su departamento local de obras públicas. Al instalar el sistema deberá seguir las pautas que le indiquen. Siga sus códigos locales si difieren con las pautas del presente manual. En el Estado de Massachusetts, se debe cumplir con los códigos de plomería 248-CMR 3.00 y 10.00. Consulte a un plomero con licencia.
- ▼ El filtro avanzado de dos etapas para agua potable funciona con presiones de agua de 30 psi (mínima) a 125 psi (máxima). Si la presión del agua de su casa supera la máxima, instale una válvula reductora de presión en la línea de suministro de agua al filtro avanzado de dos etapas para agua potable.
- ▼ No instale el filtro avanzado de dos etapas fuera de la casa ni bajo temperaturas extremadamente calientes o frías. La temperatura del suministro de agua al filtro avanzado de dos etapas debe estar entre 40 °F y 100 °F (4 °C y 38 °C). No lo instale en tuberías de agua caliente.

¿Tiene preguntas? Llame a la línea de ayuda de Kenmore Water al 1-800-426-9345 o visite el sitio web KenmoreWater.com.

Desempaque y revise el contenido de la caja

INSPECCION EL ENVÍO

El filtro avanzado de dos etapas para agua potable se envía completo en una caja de cartón. Retire todos los artículos de la caja de cartón del envío.

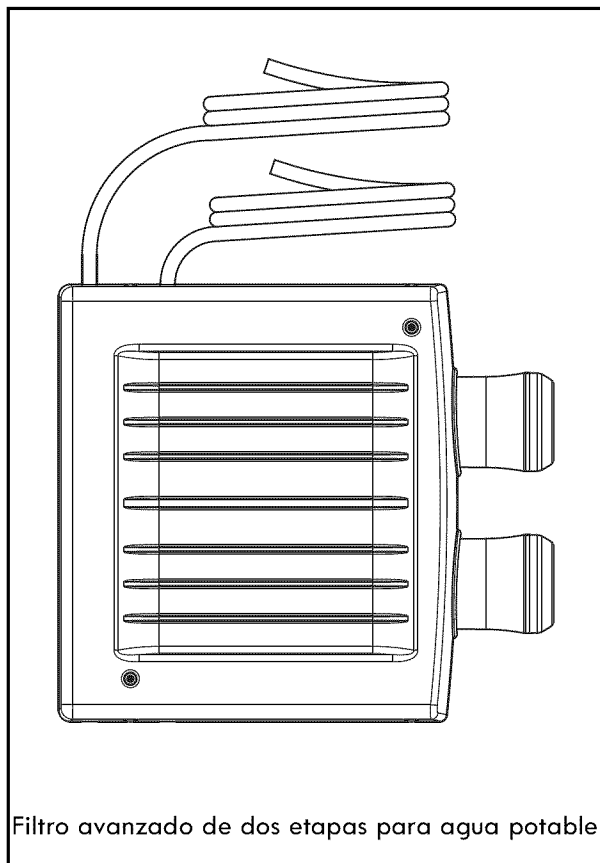
Revise todos los artículos contra la lista de empaque que figura a continuación. Tome nota de todo artículo faltante o dañado durante el envío. Tome nota de cualquier daño en la caja del envío. Consulte la vista detallada y la lista de piezas que están en la parte posterior del manual para tomar nota de los nombres y los números de los artículos faltantes o dañados. Si hubiera problemas, consulte el sitio web o llame al número telefónico gratuito que figura en todo este manual.

Conserve las piezas pequeñas dentro de la bolsa de piezas hasta que esté listo para instalarlas.

NOTA: Los códigos del Estado de Massachusetts requieren que un plomero con licencia realice la instalación.

Si vive en Massachusetts, examine el código de plomería 248-CMR del Estado de Massachusetts antes de instalar el producto.

Lista de empaque



Conjunto que contiene la bolsa

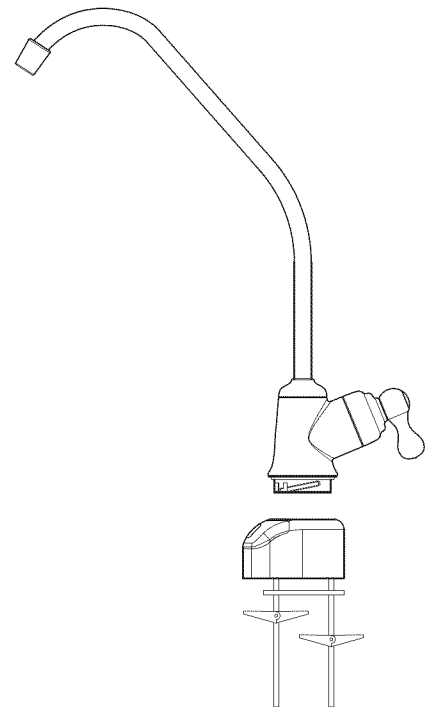


Adaptador de alimentación en T



Batería plana

Conjunto que contiene la bolsa



Grifo y base de sistema electrónico

¿Tiene preguntas? Llame a la línea de ayuda de Kenmore Water al 1-800-426-9345 o visite el sitio web KenmoreWater.com.

Planee la instalación

PLANEE LA INSTALACIÓN

Se recomienda leer todo el manual antes de comenzar la instalación. Siga los pasos exactamente como se indican. Leer este manual también lo ayudará a obtener todos los beneficios del sistema.

UBICACIÓN TÍPICA DEBAJO DEL FREGADERO

La caja del filtro avanzado de dos etapas para agua potable se ubica normalmente debajo del fregadero de la cocina o del baño para filtrar agua potable fría. Vea la Figura 2.

REVISE LOS REQUISITOS DE ESPACIO

Revise el tamaño y la posición de los artículos para instalarlos correctamente en la ubicación deseada.

HERRAMIENTAS NECESARIAS

Examine la lista de herramientas necesarias. Vea la Figura 1. Reúna las herramientas necesarias antes de comenzar la instalación. Lea y siga las instrucciones proporcionadas para toda herramienta mencionada aquí.

IMPORTANTE: Se necesita un orificio de 1-1/4 pulg. (32 mm) para montar el grifo de agua filtrada. Consulte a un plomero o instalador calificado sobre los procedimientos de perforación en porcelana o acero inoxidable para evitar dañar el fregadero.

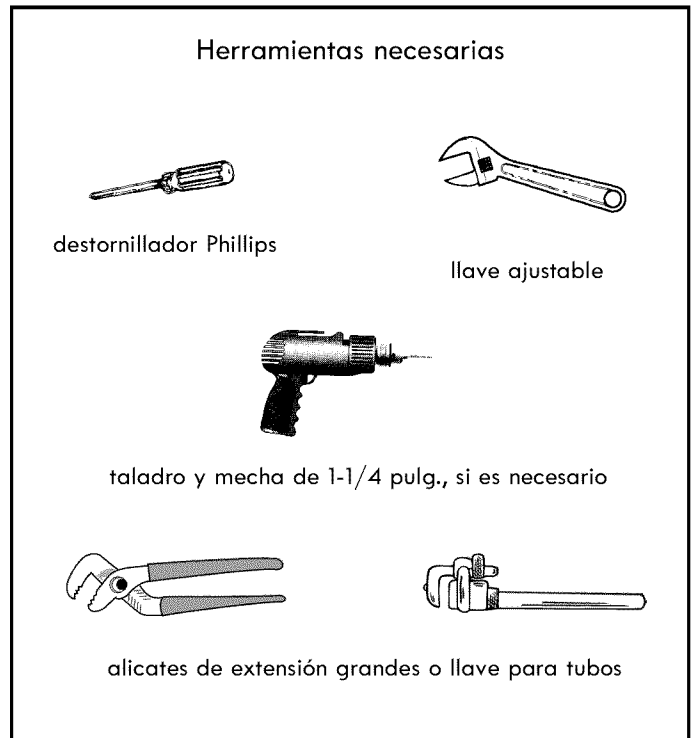
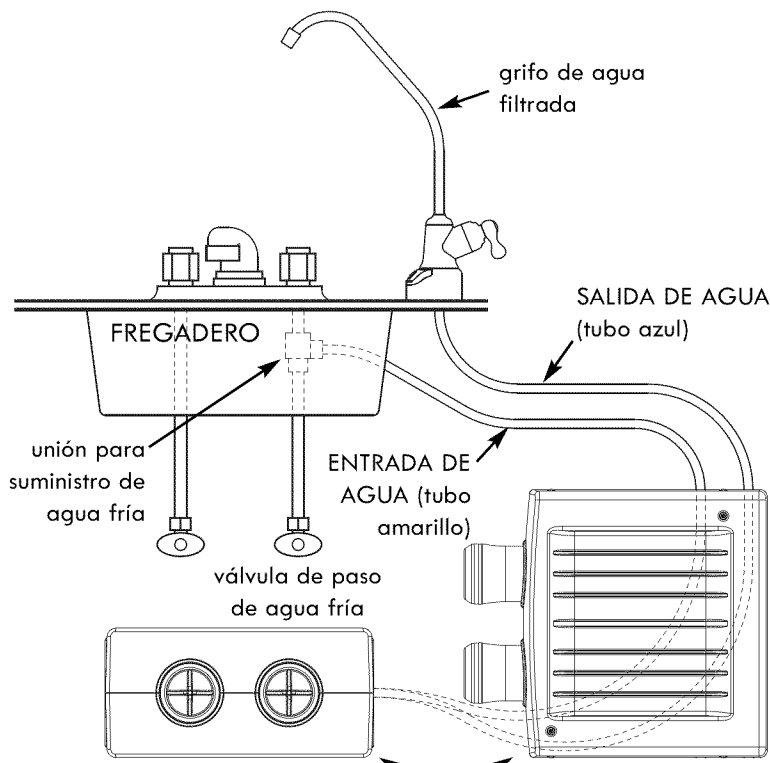


Figura 1

Instalación típica debajo del fregadero



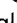

La caja del filtro puede ubicarse en forma horizontal  o vertical 

Figura 2

¿Tiene preguntas? Llame a la línea de ayuda de Kenmore Water al 1-800-426-9345 o visite el sitio web KenmoreWater.com.

Paso 1: Instale la unión para el suministro de agua

ESCOJA EL TIPO DE UNIÓN PARA EL SUMINISTRO DE AGUA A INSTALAR

Encuentre la tubería de agua fría dentro del gabinete del fregadero. Al planear la instalación, consulte los códigos locales de plomería y cúmplalos; luego instale una unión para suministro de agua en la tubería de agua fría del fregadero. La unión debe proporcionar una conexión a prueba de fugas para el tubo de entrada de 3/8 pulg. D.E. del filtro avanzado de dos etapas para agua potable. En la Fig. 3. se ilustra una conexión típica con la unión para suministro de agua que se incluye. En la Fig. 4. se ilustra una conexión alternativa con uniones estándar de plomería (no incluidas).

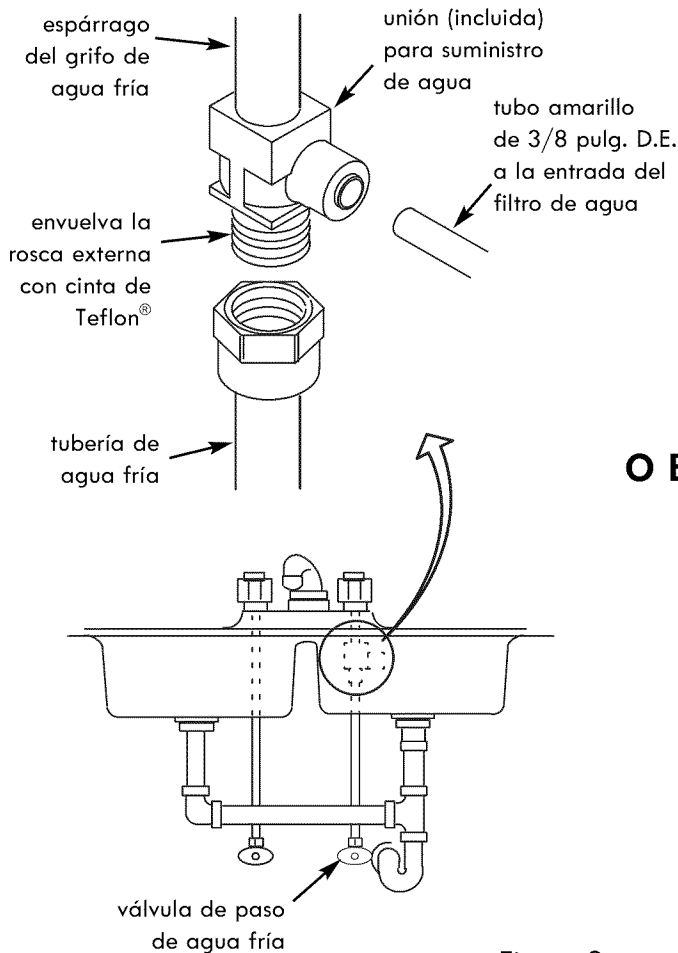
NOTA: Es posible que el código local determine el tipo de unión de plomería a usarse. Si no conoce los códigos o los procedimientos de plomería locales, consulte a un plomero.

NOTA: Los códigos del Estado de Massachusetts requieren que un plomero con licencia realice la instalación.

Si vive en Massachusetts, examine el código de plomería 248-CMR del Estado de Massachusetts antes de instalar el producto.

A. CONEXIÓN DEL SUMINISTRO DE AGUA CON LA UNIÓN INCLUIDA

1. Cierre la válvula principal de agua de la casa y abra los grifos para desaguar la tubería de agua fría del fregadero.
2. Retire la tuerca que conecta el grifo de agua fría con la tubería de agua fría.
3. Enrosque la unión (que se incluye) para suministro de agua en el tubo y vuelva a enroscar la tuerca a la parte inferior de la unión.

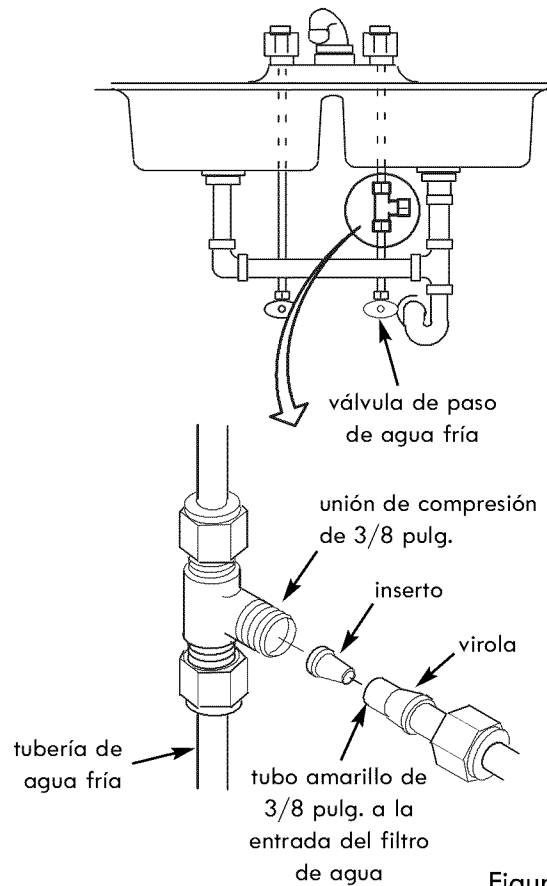


B. CONEXIÓN TÍPICA DEL SUMINISTRO DE AGUA CON UNIÓN DE COMPRESIÓN (NO SE INCLUYEN LAS PIEZAS)

NOTA: Antes de comenzar, no olvide cerrar el suministro de agua y abrir un grifo bajo para desaguar la tubería.

En cumplimiento de los códigos de plomería, instale una unión en la tubería de agua fría para adaptarla al tubo de 3/8 pulg. D.E. En la Figura 4 se ilustra una conexión típica. Si se usan uniones roscadas, no olvide aplicar compuesto para juntas de tubería o cinta de Teflon® en la rosca externa.

O BIEN



¿Tiene preguntas? Llame a la línea de ayuda de Kenmore Water al 1-800-426-9345 o visite el sitio web KenmoreWater.com.

Paso 2: Instale el grifo para el agua filtrada

HAGA EL ORIFICIO PARA EL GRIFO

IMPORTANTE: Se necesita un orificio de 1-1/4 pulg. (32 mm) para montar el grifo de agua filtrada. Consulte a un plomero o instalador calificado sobre los procedimientos de perforación en porcelana o acero inoxidable para evitar dañar el fregadero.

1. Seleccione una de las siguientes opciones para instalar el grifo. Cerciérese de que haya suficiente espacio debajo del fregadero para las conexiones necesarias.
 - Use un orificio existente para manguera de rociador o dispensador de jabón líquido (debe tener 1-1/4 pulg. [32 mm] de diámetro).
 - Haga un nuevo orificio en la parte superior del fregadero.
 - Haga un orificio en la encimera junto al fregadero.
2. Compruebe que la base del grifo de agua filtrada quede bien asentada contra la superficie de montaje.
3. Si es necesario taladrar, haga un orificio de 1-1/4 pulg. (32 mm) de diámetro, como mínimo, sobre la superficie de montaje para el grifo.

INSTALE LA BASE DEL GRIFO

1. Encuentre la base del grifo (vea la Fig. 5) y haga pasar los pernos de palanca hacia abajo por el orificio hasta que la base del grifo se apoye horizontalmente sobre la superficie de montaje (el fregadero o la encimera). La empaquetadura de caucho debe quedar entre la base del grifo y la superficie de montaje.
2. Apriete los pernos de palanca hasta que la base del grifo quede firmemente montada sobre la superficie. **No apriete excesivamente.**

CONECTE EL TUBO AZUL AL GRIFO

1. Coloque la caja del filtro avanzado de dos etapas para agua potable debajo del fregadero. Puede apoyarse verticalmente o sobre un costado.
2. Encuentre el tubo azul. Un extremo se acopla a la caja del filtro. Haga pasar el otro extremo hacia arriba por el orificio de montaje y la base del grifo. Vea la Figura 6.
3. Consulte la sección titulada "Corte los tubos a la medida" en la página 8, y corte el tubo azul en ángulo recto y en la longitud necesaria, dejando aproximadamente 6 pulgadas (15 cm) por encima de la base del grifo.
4. Encuentre el grifo. Consulte la sección titulada "Conecte los tubos" en la página 8 e inserte totalmente el tubo azul en la unión de conexión rápida de 3/8 pulg. de la parte inferior del grifo.
5. Tire del tubo para comprobar que quede firmemente acoplado a la unión.

INSTALE EL GRIFO SOBRE LA BASE

1. Apoye el grifo sobre la base. Vea la Figura 7.
2. Haga girar el grifo 1/4 de vuelta a la derecha para acoplarlo a la base.
3. Instale la batería en la base del grifo. (Consulte la sección titulada "Cambie la batería" en la página 9.) Luego prosiga con el Paso 3 de la instalación en la página 8.

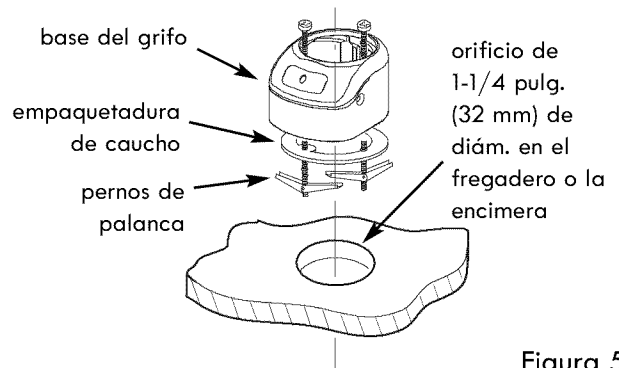


Figura 5

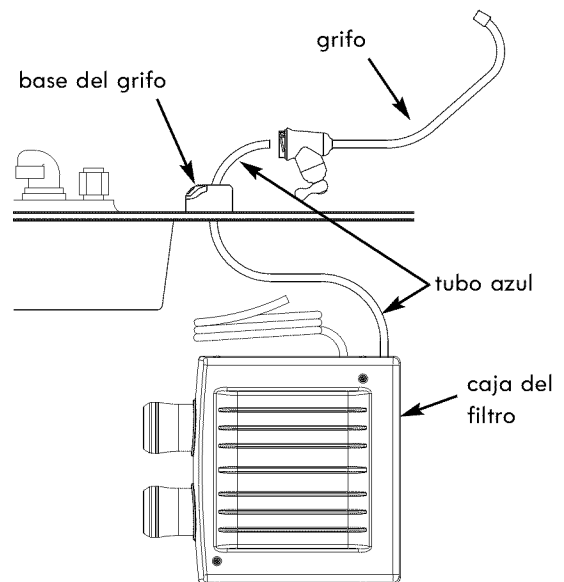


Figura 6

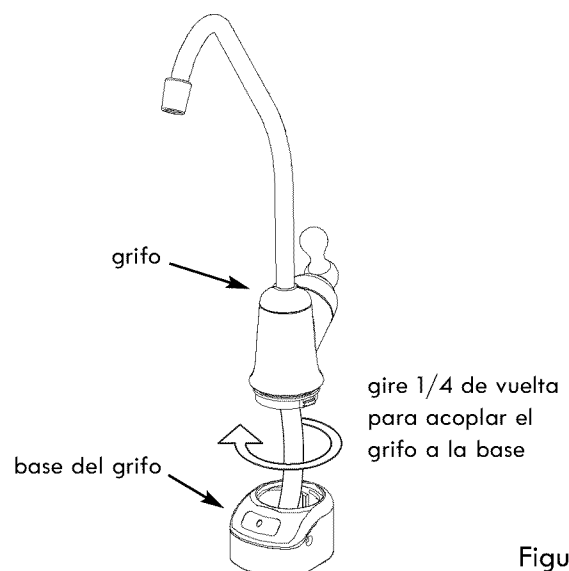


Figura 7

¿Tiene preguntas? Llame a la línea de ayuda de Kenmore Water al 1-800-426-9345 o visite el sitio web KenmoreWater.com.

Paso 3: Conecte los tubos

CONECTE EL TUBO AMARILLO A LA UNIÓN PARA SUMINISTRO DE AGUA

1. Encuentre el tubo amarillo. Un extremo se acopla a la caja del filtro. Tienda el otro extremo hasta la unión para suministro de agua en la tubería de agua fría. Vea la Figura 8.
2. Consulte más abajo la sección titulada "Corte los tubos a la medida", y corte el tubo amarillo en ángulo recto y en la longitud necesaria.
3. Consulte más abajo la sección titulada "Conecte los tubos", e inserte totalmente el tubo amarillo en la unión de conexión rápida de 3/8 pulg. de la unión para suministro de agua (instalada en el Paso 1).
4. Tire del tubo para comprobar que quede firmemente acoplado a la unión.

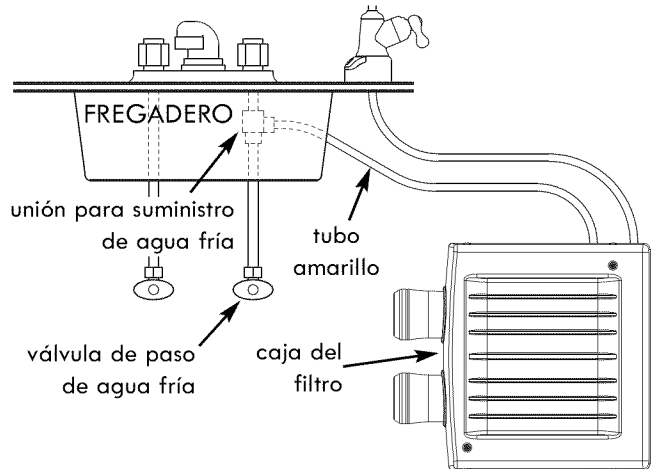


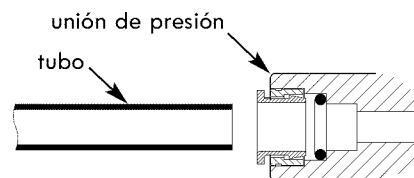
Figura 8

CÓMO CORTAR Y CONECTAR LOS TUBOS

El filtro avanzado de dos etapas para agua potable incluye uniones de presión para la conexión rápida de los tubos. Antes de conectar los tubos, examine las siguientes instrucciones.

Corte los tubos a la medida

1. Use un cortador o cuchillo filoso para cortar el extremo del tubo. Siempre corte el tubo en ángulo recto. Vea la Figura 9.
2. Inspeccione el extremo del tubo (aproximadamente de 1 pulg. o 25 mm) para cerciorarse de que no haya mellas, raspaduras ni ninguna otra sección despereja. Si es necesario, vuelva a cortar el tubo.



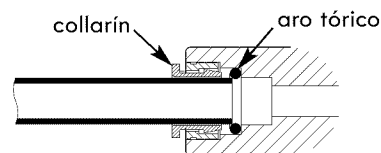
Corte el tubo en ángulo recto; el extremo del mismo debe quedar redondo y liso, sin cortes, mellas ni perfiles planos.

Tubo cortado correctamente

Figura 9

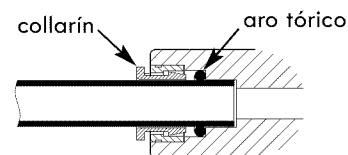
Conecte los tubos

1. Haga pasar el tubo por el collarín, hasta que se acople al aro tórico. Vea la Figura 10. Siga empujando el tubo hasta que sobresalga por la parte posterior de la unión. Vea la Figura 11. Un error común es dejar de empujar cuando el tubo se acopla al aro tórico. Eso producirá fugas en el futuro. Cuando un tubo de 3/8 pulg. está totalmente acoplado, 3/4 pulg. del tubo ha entrado en la unión. Vea las Figuras 10 y 11.
2. Si usa algún tubo que no es el incluido en el sistema, cerciórese de que sea de alta calidad, de exactamente el mismo tamaño y redondez, y que la superficie sea lisa.



Tubo parcialmente acoplado a la unión

Figura 10

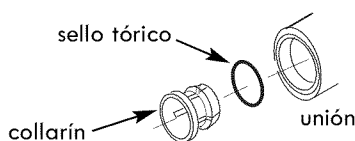


Tubo completamente acoplado a la unión

Figura 11

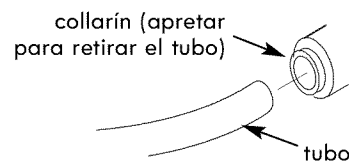
Para desconecte los tubos

1. Empuje el collarín hacia dentro con la punta de un dedo. Vea la Figura 12.
2. Siga manteniendo el collarín apretado hacia dentro mientras tira del tubo hacia fuera. Vea la Figura 13.



Collarín y sello tórico

Figura 13



Desconecte el tubo

Figura 12

¿Tiene preguntas? Llame a la línea de ayuda de Kenmore Water al 1-800-426-9345 o visite el sitio web KenmoreWater.com.

Mantenimiento

SISTEMA ELECTRÓNICO DEL GRIFO

Dentro de la base del grifo hay un temporizador a batería para 6 meses. Vea la Figura 14.

También hay un indicador LED de color ámbar en el frente de la base del grifo. Dicho indicador LED destellará continuamente cuando hayan transcurrido 6 meses. Esto indica que ya es tiempo de reemplazar la batería y los cartuchos filtrantes.

CAMBIE LA BATERÍA

Para cambiar (o instalar) la batería, siga los pasos a continuación.

1. Afloje el tornillo del lado derecho de la base del grifo. Vea la Figura 14.
2. Desde el frente de la base del grifo, empuje hacia arriba la caja de la batería hasta que se desprenda de la base del grifo. Vea la Figura 14.
3. Reemplace (o instale) la batería (una Maxell CR 2032 o equivalente). Coloque la batería dentro del receptáculo con el lado positivo (+) hacia la parte posterior del receptáculo.
4. Cuando se reemplace la batería por primera vez, el indicador destellará seis veces y se apagará. Eso indica que la batería está totalmente cargada. Después de los seis destellos, el temporizador comenzará a contar el ciclo de 6 meses.

NOTA: Si el indicador LED destella repetidamente sólo dos veces, quiere decir que la batería no está totalmente cargada y necesitará reemplazarse.

5. Vuelva a instalar la caja del temporizador y apriete firmemente el tornillo de montaje. Vea la Figura 14.

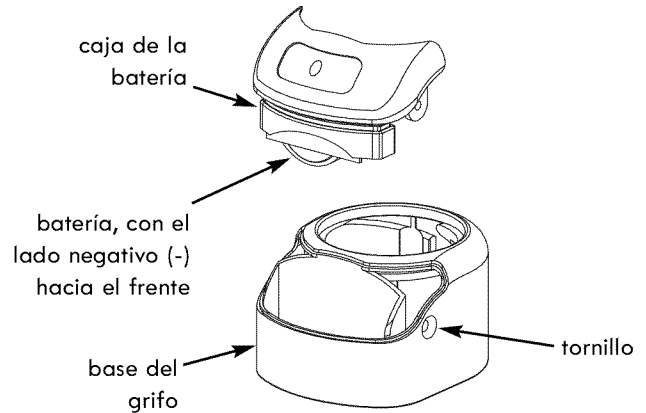


Figura 14

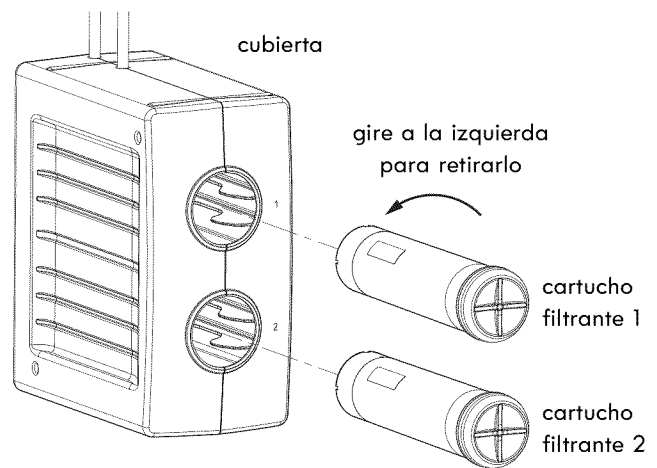


Figura 15

VIDA ÚTIL DEL CARTUCHO FILTRANTE

Se recomienda reemplazar la batería y los cartuchos filtrantes cada 6 meses de uso. Hay diversas variables que determinarán la duración de un cartucho.

Estas incluyen:

1. Cuánta agua se usa, y
2. Cuánto sedimento, olor o sabor, u otras sustancias indeseadas hay en el agua.

Utilice la siguiente información a modo de guía. Sin embargo, independientemente del tipo de cartucho que use, sabrá que es tiempo de reemplazarlo cuando note por primera vez la presencia de sustancias indeseadas en el agua.

El filtro avanzado de dos etapas para agua potable Kenmore Elite modelo 625.385010 con el paquete de elementos de reemplazo 42-34381 cumple las normas NSF/ANSI 42 y 53 con respecto a las afirmaciones de rendimiento específicas, las cuales se han verificado y respaldado mediante datos de pruebas. La capacidad nominal de este sistema es de 280 galones (1060 litros) a un caudal para servicio nominal de 0.5 gpm (galones por minuto) (1.9 litros/minuto).

VIDA ÚTIL DEL CARTUCHO FILTRANTE

Para reemplazar los cartuchos, siga los pasos a continuación:

1. Gire el cartucho filtrante a la izquierda para retirar los cartuchos de los cabezales del filtro. Vea la Figura 15.
2. Deseche adecuadamente los cartuchos viejos.
3. Instale los cartuchos nuevos, cerciorándose de insertar los cartuchos 1 y 2 en la cavidad correcta. (Observe la impresión en la cubierta que designa: "Cartridge 1" y "Cartridge 2" [Cartucho 1 y Cartucho 2]). Gire los cartuchos a la derecha para acoplarlos a los cabezales del filtro.
4. Retire y reemplace la batería del temporizador. Vea la sección titulada "Cambie la batería" más arriba.

Sabor y olor en los cartuchos: Los cartuchos filtrantes contienen un polvo negro que es carbono activado. Cuando instale cartuchos nuevos, abra el grifo del agua filtrada y deje que se purguen las partículas finas de carbono de la unidad. Cierre el grifo cuando ya no vea partículas finas de carbono en el agua filtrada, o aproximadamente después de 10 minutos.

¿Tiene preguntas? Llame a la línea de ayuda de Kenmore Water al 1-800-426-9345 o visite el sitio web KenmoreWater.com.

Especificaciones

Límites de presión para el agua del suministro 30-125 psi (207-862 kPa)
 Límites de temperatura para el agua del suministro 40-100 °F (5-40 °C)
 Entrada - Salida tubo de 3/8 pulg. D.E., que se incluye

Este sistema cumple las normas NSF/ANSI 42 y 53 con respecto a las afirmaciones de rendimiento específicas, las cuales se han verificado y respaldado mediante datos de pruebas.

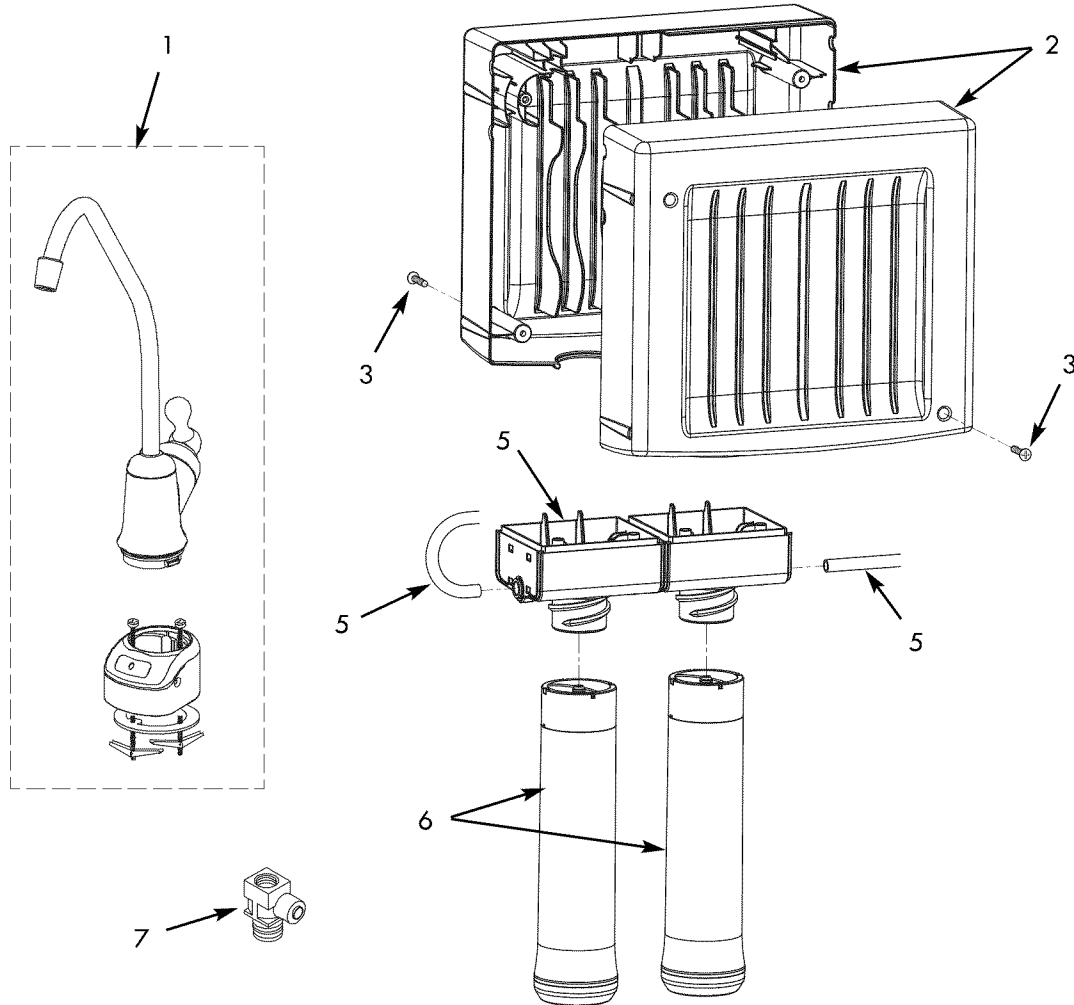
Instalación en el Estado de Massachusetts: El Estado de Massachusetts requiere que un plomero con licencia realice la instalación. En tales casos, se debe cumplir con el código de plomería 248-CMR del Estado de Massachusetts.

Solución de problemas

Problema: Sabor u olor.	
Causa: Filtros anterior y posterior agotados.	Corrección: Reemplace los cartuchos filtrantes. <i>Vea la página 9.</i>
Causa: Sistema contaminado.	Corrección: Desinfecte el sistema. Llame al 1-800-426-9345 para obtener instrucciones.
Problema: No funciona la luz del indicador LED después de cambiar la batería.	
Causa: Batería agotada.	Corrección: Reemplace por una nueva batería. <i>Vea la página 9.</i>
Causa: Batería instalada incorrectamente.	Corrección: Instale la batería correctamente.
Problema: Hay fuga de agua de agua en las uniones de presión.	
Causa: Tubo insertado sólo parcialmente.	Corrección: Inserte totalmente el tubo dentro de las uniones. <i>Vea la página 8.</i>
Causa: Tubo no cortado en ángulo recto.	Corrección: Corte el tubo en ángulo recto. <i>Vea la página 8.</i>
Causa: Tubo mellado.	Corrección: Retire el tubo de la conexión. Corte el tubo a una longitud más corta para eliminar la porción mellada. Vuelva a insertarlo en la conexión. <i>Vea la página 8.</i>
Causa: La superficie externa del tubo no es lisa.	Corrección: Retire el tubo de la conexión. Corte el tubo a una longitud más corta para eliminar el área despereja. Vuelva a insertarlo en la conexión. <i>Vea la página 8.</i>

¿Tiene preguntas? Llame a la línea de ayuda de Kenmore Water al 1-800-426-9345 o visite el sitio web KenmoreWater.com.

Piezas de repuesto



Clave No.	Pieza No.	Descripción
1	7292674	Grifo, con base y sistema electrónico
–	7328459	Conjunto de cubierta (se incluye clave No. 2 y 4 de la clave No. 3)
2	↑	Juego de cubierta (incluye ambas mitades)
3	↑	Tornillo de cubierta (se necesitan 4)
4	7280106	Conjunto del cabezal
5	7168435	Tubo de 3/8 pulg. D.E. x 72 pulg. de largo, blanco
6	42-34381	Juego de cartuchos filtrantes 1 y 2 *
7	7228536	Adaptador de alimentación en T
■	7314183	Batería plana
■	7294294	Manual del propietario

* Adquiera cartuchos filtrantes de repuesto en su tienda Sears, en el sitio web www.sears.com o llamando a Sears Parts al 1-800-469-4663.

■ No se ilustra.

¿Tiene preguntas? Llame a la línea de ayuda de Kenmore Water al 1-800-426-9345 o visite el sitio web KenmoreWater.com.

Get it fixed, at your home or ours!

Your Home

For troubleshooting, product manuals and expert advice:



www.managemylife.com

For repair – **in your home** – of **all** major brand appliances, lawn and garden equipment, or heating and cooling systems, **no matter who made it, no matter who sold it!**

For the replacement parts, accessories and owner's manuals that you need to do-it-yourself.

For Sears professional installation of home appliances and items like garage door openers and water heaters.

1-800-4-MY-HOME[®] (1-800-469-4663)

Call anytime, day or night (U.S.A. and Canada)

www.sears.com www.sears.ca

Our Home

For repair of carry-in items like vacuums, lawn equipment, and electronics, call anytime for the location of your nearest

Sears Parts & Repair Service Center

1-800-488-1222 (U.S.A.)

1-800-469-4663 (Canada)

www.sears.com

www.sears.ca

To purchase a protection agreement on a product serviced by Sears:

1-800-827-6655 (U.S.A.)

1-800-361-6665 (Canada)

Para pedir servicio de reparación a domicilio, y para ordenar piezas:

1-888-SU-HOGAR[®]

(1-888-784-6427)

www.sears.com

Au Canada pour service en français:

1-800-LE-FOYER^{MC}

(1-800-533-6937)

www.sears.ca

The Sears logo, consisting of the word "sears" in a lowercase, serif font.

® Registered Trademark / TM Trademark of KCD IP, LLC in the United States, or Sears Brands, LLC in other countries

® Marca Registrada / TM Marca de Fábrica de KCD IP, LLC en Estados Unidos, o Sears Brands, LLC en otros países

^{MC} Marque de commerce / ^{MD} Marque déposée de Sears Brands, LLC