

Owner's Manual

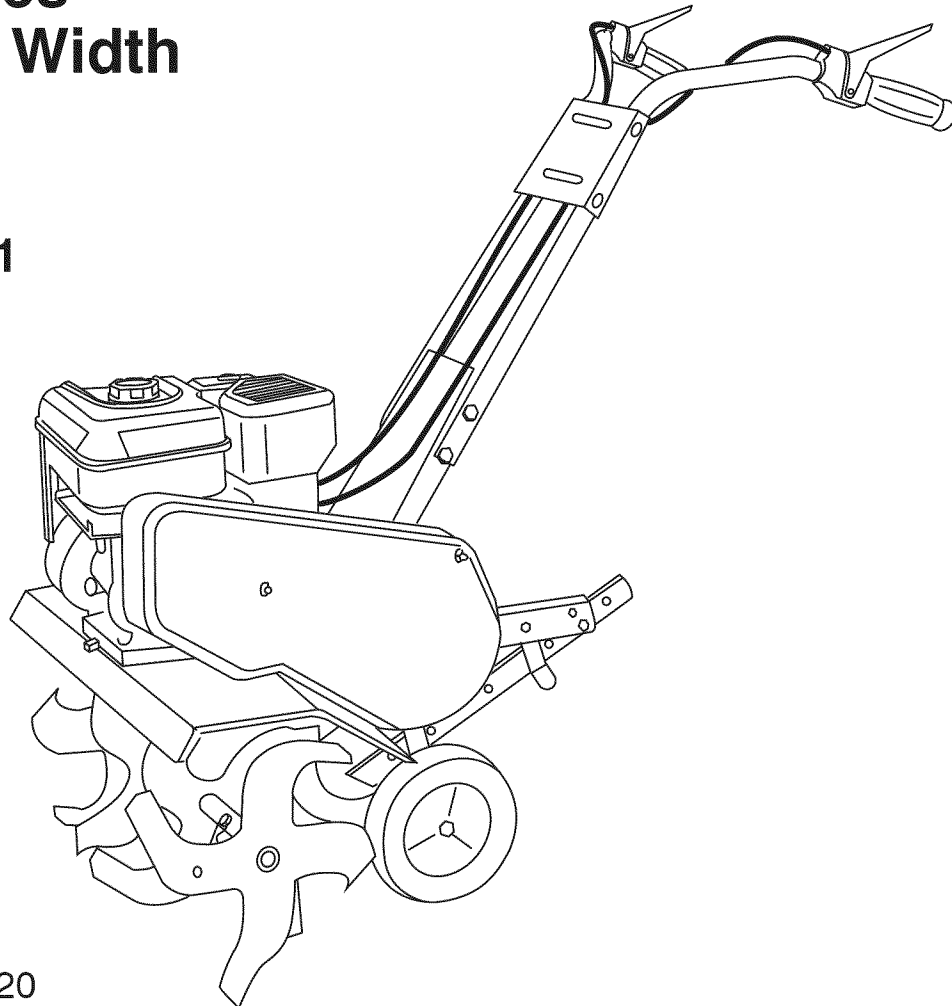


FRONT TINE TILLER

900 Series

24" Tine Width

Model No.
917.986941



- Español, p. 20



This product has a low emission engine which operates differently from previously built engines. Before you start the engine, read and understand this Owner's Manual.

Gasoline containing up to 10% ethanol (E10) is acceptable for use in this machine. The use of any gasoline exceeding 10% ethanol (E10) will void the product warranty.

Esta máquina puede utilizar gasolina con un contenido de hasta el 10% de etanol (E10). El uso de una gasolina que supere el 10% de etanol (E10) anulará la garantía del producto.

IMPORTANT:

Read and follow all Safety Rules and Instructions before operating this equipment.

Sears Brands Management Corporation, Hoffman Estates, IL 60179 U.S.A.

Visit our Craftsman website: www.sears.com/craftsman

TABLE OF CONTENTS

Warranty	2	Maintenance	12
Safety Rules	3	Service and Adjustments	15
Product Specifications	5	Storage.....	17
Assembly/Pre-Operation.....	6	Troubleshooting	18
Operation	8	Illustrated Parts List.....	38
Maintenance Schedule	12	Sears Service	Back Cover

WARRANTY

Craftsman Professional Riding Equipment Warranty

CRAFTSMAN PROFESSIONAL FULL WARRANTY

FOR TWO YEARS from the date of purchase, all non-expendable parts of this riding equipment are warranted against any defects in material or workmanship. A defective non-expendable part will receive free in-home repair or replacement if repair is impossible.

FOR FIVE YEARS from the date of purchase, the frame and front axle of this riding equipment are warranted against any defects in material or workmanship. A defective frame or front axle will receive free in-home repair or replacement if repair is impossible.

All of the above warranty coverage applies for only one year from the date of purchase if this riding equipment is ever used while providing commercial services or if rented to another person.

FOR 90 DAYS from the date of purchase, the battery (an expendable part) of this riding equipment is warranted against any defects in material or workmanship (our testing proves that it will not hold a charge). A defective battery will receive free in-home replacement.

ADDITIONAL LIFETIME LIMITED WARRANTY on CAST IRON FRONT AXLE (if equipped)

FOR AS LONG AS IT IS USED by the original owner after the fifth year from the date of purchase, the cast iron front axle (if equipped) of this riding equipment is warranted against any defects in material or workmanship. With proof of purchase, a defective cast front axle will receive free in-home replacement.

WARRANTY SERVICE

For warranty coverage details to obtain free repair or replacement, call 1-800-659-5917 or visit the web site: www.craftsman.com

In all cases above, if part repair or replacement is impossible, the riding equipment will be replaced free of charge with the same or an equivalent model.

This warranty covers ONLY defects in material and workmanship. Warranty coverage does NOT include:

- Expendable parts (except for battery) that can wear out from normal use within the warranty period, including but not limited to blades, spark plugs, air cleaners, belts, and oil filters.
- Standard maintenance servicing, oil changes, or tune-ups.
- Tire replacement or repair caused by punctures from outside objects, such as nails, thorns, stumps, or glass.
- Tire or wheel replacement or repair resulting from normal wear, accident, or improper operation or maintenance.
- Repairs necessary because of operator abuse, including but not limited to damage caused by towing objects beyond the capability of the riding equipment, impacting objects that bend the frame, axle assembly or crankshaft, or over-speeding the engine.
- Repairs necessary because of operator negligence, including but not limited to, electrical and mechanical damage caused by improper storage, failure to use the proper grade and amount of engine oil, failure to keep the deck clear of flammable debris, or failure to maintain the riding equipment according to the instructions contained in the operator's manual.
- Engine (fuel system) cleaning or repairs caused by fuel determined to be contaminated or oxidized (stale). In general, fuel should be used within 30 days of its purchase date.
- Normal deterioration and wear of the exterior finishes, or product label replacement.

This warranty gives you specific legal rights, and you may also have other rights which vary from state to state.

Sears Brands Management Corporation, Hoffman Estates, IL 60179

SAFETY RULES

IMPORTANT: This cutting machine is capable of amputating hands and feet and throwing objects. Failure to observe the following safety instructions could result in serious injury or death.

TRAINING

- Read the Owner's Manual carefully. Be thoroughly familiar with the controls and the proper use of the equipment. Know how to stop the unit and disengage the controls quickly.
- Never allow children to operate the equipment. Never allow adults to operate the equipment without proper instruction.
- Keep the area of operation clear of all persons, particularly small children, and pets.

PREPARATION

- Thoroughly inspect the area where the equipment is to be used and remove all foreign objects.
- Disengage all clutches and shift into neutral before starting the engine (motor).
- Do not operate the equipment without wearing adequate outer garments. Wear footwear that will improve footing on slippery surfaces.
- Handle fuel with care; it is highly flammable.
- Use an approved fuel container.
- Never add fuel to a running engine or hot engine.
- Fill fuel tank outdoors with extreme care. Never fill fuel tank indoors.
- Replace gasoline cap securely and clean up spilled fuel before restarting.
- Use extension cords and receptacles as specified by the manufacturer for all units with electric drive motors or electric starting motors.
- Never attempt to make any adjustments while the engine (motor) is running (except where specifically recommended by manufacturer).

OPERATION

- Do not put hands or feet near or under rotating parts.
- Exercise extreme caution when operating on or crossing gravel drives, walks, or roads. Stay alert for hidden hazards or traffic. Do not carry passengers.
- After striking a foreign object, stop the engine (motor), remove the wire from the spark plug, thoroughly inspect the tiller for any damage, and repair the damage before restarting and operating the tiller.
- Exercise caution to avoid slipping or falling.
- If the unit should start to vibrate abnormally, stop the engine (motor) and check immediately for the cause. Vibration is generally a warning of trouble.
- Stop the engine (motor) when leaving the operating position.
- Take all possible precautions when leaving the machine unattended. Disengage the tines, shift into neutral, and stop the engine.
- Before cleaning, repairing, or inspecting, shut off the engine and make certain all moving parts have stopped. Disconnect the spark plug wire, and keep the wire away from the plug to prevent accidental starting. Disconnect the cord on electric motors.
- Do not run the engine indoors; exhaust fumes are dangerous.
- Never operate the tiller without proper guards, plates, or other safety protective devices in place.
- Keep children and pets away.
- Do not overload the machine capacity by attempting to till too deep at too fast a rate.
- Never operate the machine at high speeds on slippery surfaces. Look behind and use care when backing.
- Never allow bystanders near the unit.
- Use only attachments and accessories approved by the manufacturer of the tiller.
- Never operate the tiller without good visibility or light.
- Be careful when tilling in hard ground. The tines may catch in the ground and propel the tiller forward. If this occurs, let go of the handlebars and do not restrain the machine.

SAFETY RULES

MAINTENANCE AND STORAGE

- Keep machine, attachments, and accessories in safe working condition.
- Check shear pins, engine mounting bolts, and other bolts at frequent intervals for proper tightness to be sure the equipment is in safe working condition.
- Never store the machine with fuel in the fuel tank inside a building where ignition sources are present, such as hot water and space heaters, clothes dryers, and the like. Allow the engine to cool before storing in any enclosure.
- Always refer to the operator's guide instructions for important details if the tiller is to be stored for an extended period.

⚠ Look for this symbol to point out important safety precautions. It means **CAUTION!!! BECOME ALERT!!! YOUR SAFETY IS INVOLVED.**

⚠ CAUTION: Always disconnect spark plug wire and place wire where it cannot contact spark plug in order to prevent accidental starting when setting up, transporting, adjusting or making repairs.

⚠ WARNING: Engine exhaust, some of its constituents, and certain vehicle components contain or emit chemicals known to the State of California to cause cancer and birth defects or other reproductive harm.

PRODUCT SPECIFICATIONS

Gasoline Capacity:	2.9 Quarts Unleaded Regular
Oil(API:SG-SL): (Capacity: 20 oz.)	SAE 30 (Above 32°F/0°C) SAE 5W-30 (Below 32°F/0°C)
Spark Plug : (Gap: .030")	Champion RC12YC

CONGRATULATIONS on your purchase of a Sears Tiller. It has been designed, engineered and manufactured to give you the best possible dependability and performance.

Should you experience any problems you cannot easily remedy, please contact a Sears or other qualified Service Center. We have competent, well-trained technicians and the proper tools to service or repair this unit. Please read and retain this manual. The instructions will enable you to assemble and maintain your tiller properly. Always observe the "SAFETY RULES".

Your new tiller has been assembled at the factory with exception of those parts left unassembled for shipping purposes. To ensure safe and proper operation of your tiller all parts and hardware you assemble must be tightened securely. Use the correct tools as necessary to insure proper tightness.

CUSTOMER RESPONSIBILITIES

- Read and observe the safety rules.
- Follow a regular schedule in maintaining, caring for and using your tiller.
- Follow the instructions under the "Maintenance" and "Storage" sections of this Owner's Manual.

⚠WARNING: This unit is equipped with an internal combustion engine and should not be used on or near any unimproved forest-covered, brush-covered or grass covered land unless the engine's exhaust system is equipped with a spark arrester meeting applicable local or state laws (if any). If a spark arrester is used, it should be maintained in effective working order by the operator.

In the state of California the above is required by law (Section 4442 of the California Public Resources Code). Other states may have similar laws. Federal laws apply on federal lands. A spark arrester for the muffler is available through your nearest Sears service center (See the REPAIR PARTS section of this manual).

REPAIR PROTECTION AGREEMENTS

Congratulations on making a smart purchase. Your new Craftsman® product is designed and manufactured for years of dependable operation. But like all products, it may require repair from time to time. That's when having a Repair Protection Agreement can save you money and aggravation.

Purchase a Repair Protection Agreement now and protect yourself from unexpected hassle and expense.

Here's what's included in the Agreement:

- Expert service by our 12,000 professional repair specialists.
- Unlimited service and no charge for parts and labor on all covered repairs.
- Product replacement if your covered product can't be fixed.
- Discount of 10% from regular price of service and service-related parts not covered by the agreement; also, 10% off regular price of preventive maintenance check.
- Fast help by phone – phone support from a Sears technician on products requiring in-home repair, plus convenient repair scheduling.

Once you purchase the Agreement, a simple phone call is all that it takes for you to schedule service. You can call anytime day or night, or schedule a service appointment online.

Sears has over 12,000 professional repair specialists, who have access to over 4.5 million quality parts and accessories. That's the kind of professionalism you can count on to help prolong the life of your new purchase for years to come. Purchase your Repair Protection Agreement today!

Some limitations and exclusions apply. For prices and additional information call 1-800-827-6655.


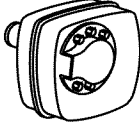
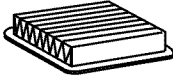
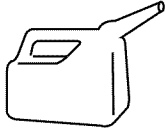


SEARS INSTALLATION SERVICE

For Sears professional installation of home appliances, garage door openers, water heaters, and other major home items, in the U.S.A. call 1-800-4-MY-HOME®



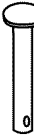

ACCESSORIES

These accessories were available when the tiller was produced. They are also available at most Sears retail outlets and service centers. **SOME OF THESE ACCESSORIES MAY NOT APPLY TO YOUR TILLER.**

ENGINE

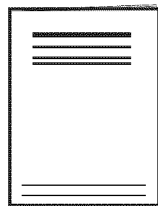
SPARK PLUG	MUFFLER	AIR FILTER	GAS CAN	ENGINE OIL	STABILIZER
					

TILLER MAINTENANCE

BELT	TINES	SHEAR PIN	HAIRPIN CLIP
			

UNASSEMBLED PARTS

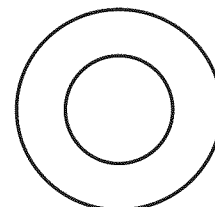
CONTENTS OF HARDWARE PACK



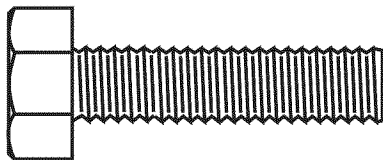
(1) Manual



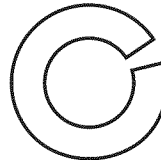
(1) Bottle
Engine Oil



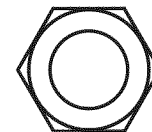
(4) Washers
3/8 x 7/8 x 14



(6) Hex Bolts 5/16-18 x 1-1/4



(6) Lock
Washers 5/16



(6) Hex Nuts
5/16-18

ASSEMBLY/PRE-OPERATION

Your new tiller has been assembled at the factory with the exception of those parts left unassembled for shipping purposes. To ensure safe and proper operation of your tiller all parts and hardware you assemble must be tightened securely. Use the correct tools as necessary to insure proper tightness.

TOOLS REQUIRED FOR ASSEMBLY

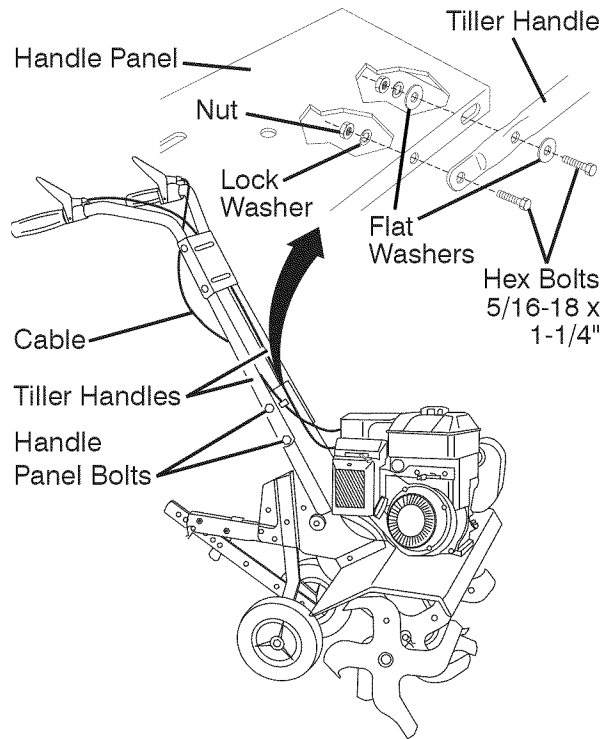
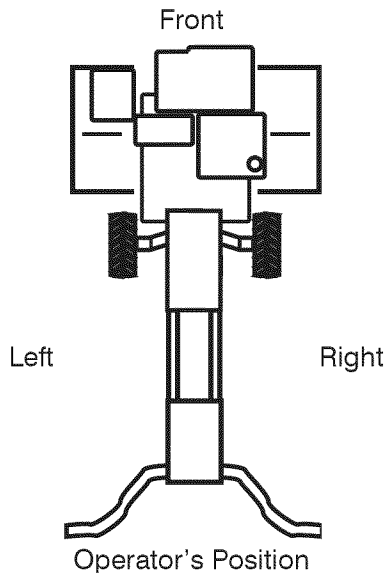
A socket wrench set will make assembly easier. Standard wrench sizes are listed.

- (1) Utility knife
- (2) 1/2 Wrench

ASSEMBLY/PRE-OPERATION

OPERATOR'S POSITION

When right or left hand is mentioned in this manual, it means when you are in the operating position (standing behind tiller handles).



UNPACK CARTON & INSTALL HANDLE

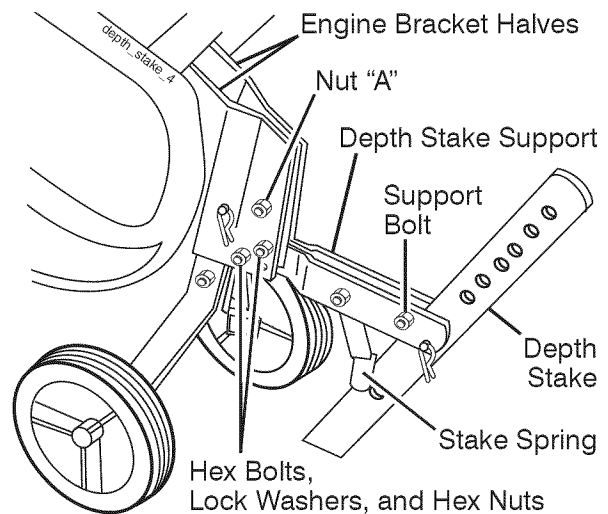
CAUTION: Be careful of exposed staples when handling or disposing of cartoning material.

IMPORTANT: When unpacking and assembling tiller, be careful not to stretch or kink cable(s).

1. Cut cable ties securing handles.
2. The handle may be assembled in high or low position. Slowly lift handle assembly up and align handle holes with desired handle panel hole and slot.
3. Loosely assemble hardware as shown.

NOTE: Cables must not touch the muffler.

4. Cut cable ties securing tiller to skid and remove tiller from skid.
5. Remove screws securing depth stake to skid and discard screws.



INSTALL DEPTH STAKE ASSEMBLY

1. Loosen nut "A".
2. Insert stake support between engine bracket halves with stake spring down.
3. Bolt stake support to engine brackets with bolts, lock washers and nuts. Tighten securely. Tighten nut "A".
4. Depth stake must move freely. If it does not, loosen support bolt.

HANDLE HEIGHT

- Handle height may be adjusted to better suit operator. (See "HANDLE HEIGHT" in the Service and Adjustments section of this manual).

TILLING WIDTH

- Tilling width may be adjusted to better handle your tilling conditions (See "TINE ARRANGEMENT" in the Service and Adjustments section of this manual).

TINE OPERATION

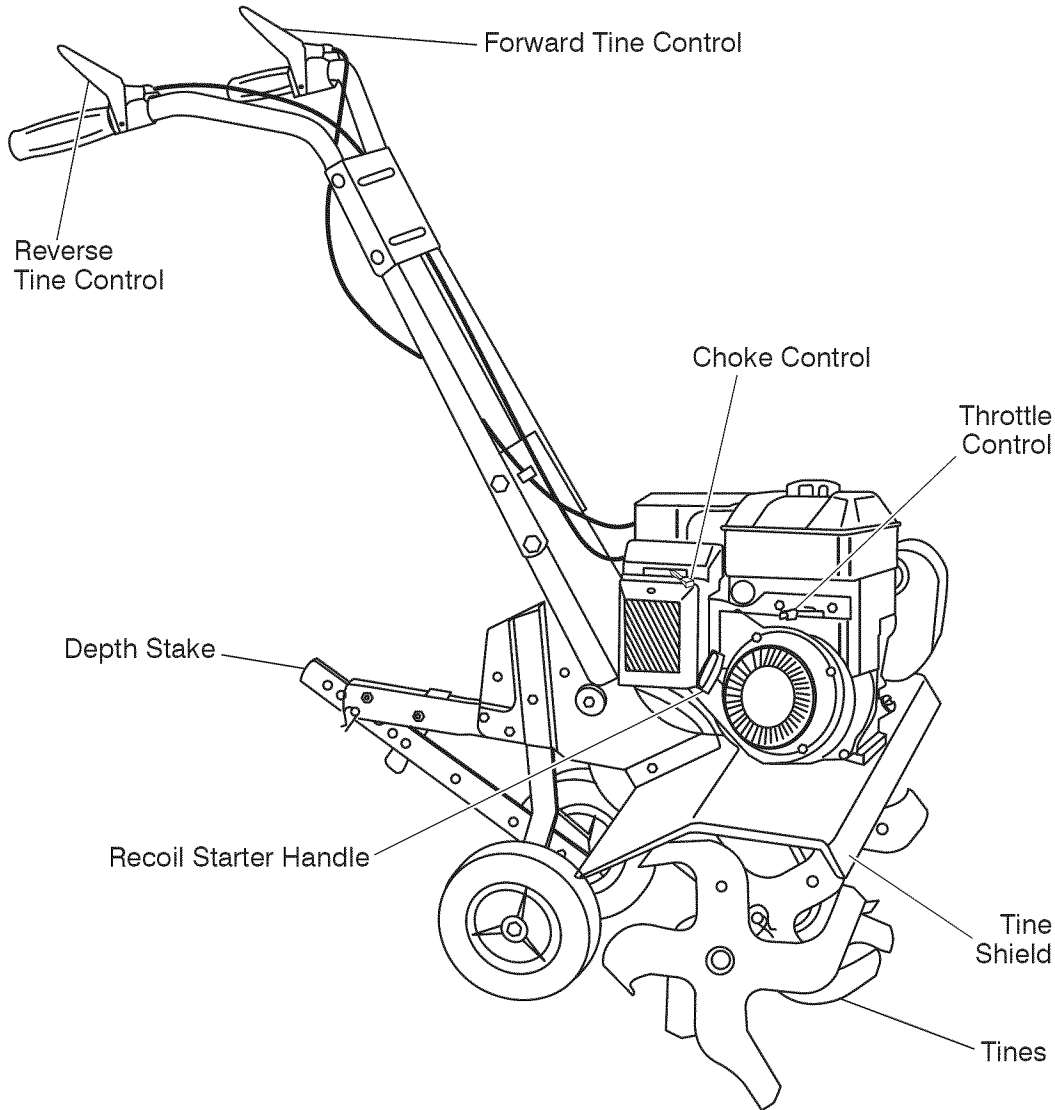
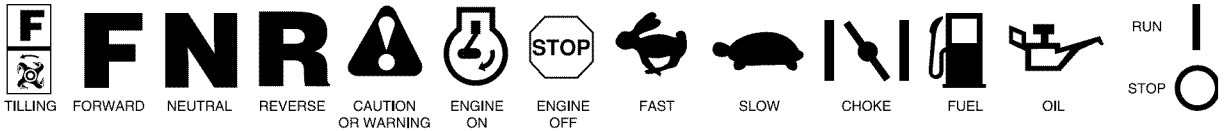
- Check tine operation before first use. (See "TINE OPERATION CHECK" in the Service and Adjustments section of this manual).

OPERATION

KNOW YOUR TILLER

READ THIS OWNER'S MANUAL AND SAFETY RULES BEFORE OPERATING YOUR TILLER

Compare the illustrations with your tiller to familiarize yourself with the locations of various controls and adjustments. Save this manual for future reference.



Our tillers conform to the safety standards of the American National Standards Institute.

CHOKE CONTROL - Used when starting a cold engine.

DEPTH STAKE - Controls forward speed and the depth at which tiller will dig.

FORWARD TINE CONTROL - Engages tines in forward direction.

REVERSE TINE CONTROL - Engages tines in reverse direction.

RECOIL STARTER HANDLE - Used to start the engine.

THROTTLE CONTROL - Used to control engine speed.



The operation of any tiller can result in foreign objects thrown into the eyes, which can result in severe eye damage. Always wear safety glasses or eye shields before starting your tiller and while tilling. We recommend standard safety glasses or a wide vision safety mask worn over spectacles.



Use ear protectors to avoid damage to hearing.

HOW TO USE YOUR TILLER

Know how to operate all controls before adding fuel and oil or attempting to start engine.

STOPPING

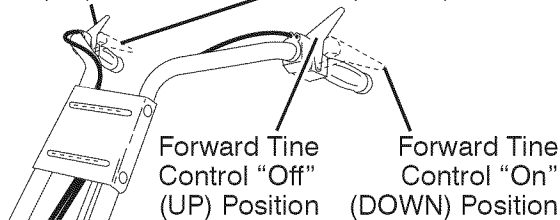
TINES

- Release forward tine control to stop forward movement.
- Release reverse tine control to stop reverse movement.

ENGINE

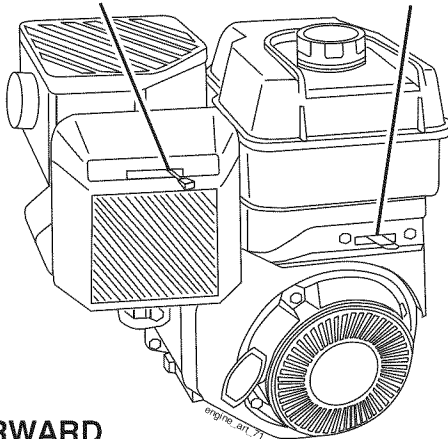
- Move throttle control to “STOP” position.
- Never use choke to stop engine.

Reverse Tine Control “Off” (UP) Position Reverse Tine Control “On” (DOWN) Position



Choke Control

Throttle Control



FORWARD

- Squeeze forward tine control to handle.

REVERSE

- With forward tine control “OFF” (up) position, pull back and hold reverse tine control.

TILLING

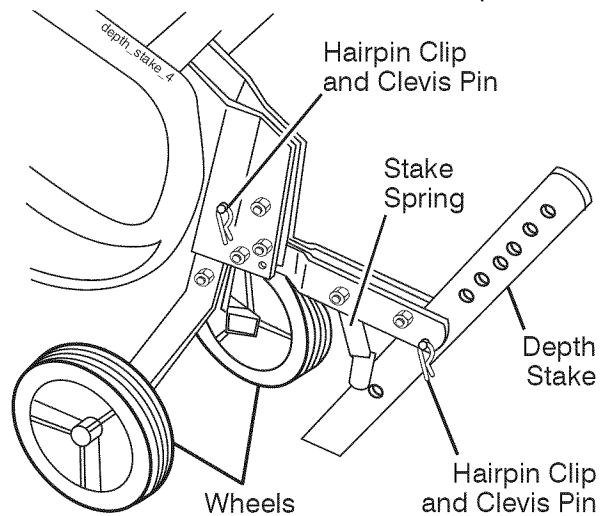
The speed and depth of tilling is regulated by the position of the depth stake and wheel height.

The depth stake should always be below the wheels for digging. It serves as a brake to slow the tiller’s forward motion to enable the tines to penetrate the ground. Also, the more the depth stake is lowered into the ground the deeper the tines will dig.

DEPTH STAKE

Adjust depth stake by removing the hairpin clip and clevis pin. Change depth stake to desired position. Replace the clevis pin and hairpin clip.

- For normal tilling, set depth stake at the second or third hole from the top.



WHEELS

Adjust wheels by removing the hairpin clip and clevis pin. Change wheel position. Replace the hairpin clip and clevis pin.

- For normal tilling, set wheels at the second or third hole from the top.

TO TRANSPORT

CAUTION: Before lifting or transporting, allow tiller engine and muffler to cool. Disconnect spark plug wire. Drain gasoline from fuel tank.

AROUND THE YARD

1. Tip depth stake forward until it is held by the stake spring.
2. Push tiller handles down, raising tines off the ground.
3. Push or pull tiller to desired location.

AROUND TOWN

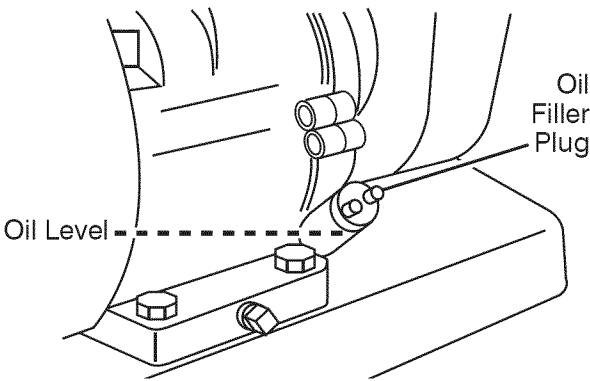
1. Disconnect spark plug wire.
2. Drain fuel tank.
3. Transport in upright position to prevent oil leakage.

BEFORE STARTING ENGINE

IMPORTANT: Be very careful not to allow dirt to enter the engine when checking or adding oil or fuel. Use clean oil and fuel and store in approved, clean, covered containers. Use clean fill funnels.

FILL ENGINE WITH OIL

1. Remove hangtag from engine.
2. With engine level, remove oil filler plug.
3. Fill engine with oil to point of overflowing. For approximate capacity see "PRODUCT SPECIFICATIONS" on page 4 of this manual. All oil must meet A.P.I. Service Classification SG-SL.
4. Tilt tiller back on its wheels and then re-level.
5. With engine level, refill to point of overflowing if necessary. Replace oil filler plug.
 - For cold weather operation you should change oil for easier starting (See "OIL VISCOSITY CHART" in the Maintenance section of this manual).
 - To change engine oil, see the Maintenance section of this manual.



ADD GASOLINE

- Fill fuel tank to bottom of filler neck. Do not overfill. Use fresh, clean, regular unleaded gasoline with a minimum of 87 octane. (Use of leaded gasoline will increase carbon and lead oxide deposits and reduce valve life). Do not mix oil with gasoline. Purchase fuel in quantities that can be used within 30 days to assure fuel freshness.

CAUTION: Fill to within 1/2" of top of fuel tank to prevent spills and to allow for fuel expansion. If gasoline is accidentally spilled, move machine away from area of spill. Avoid creating any source of ignition until gasoline vapors have disappeared.

Wipe off any spilled oil or fuel. Do not store, spill or use gasoline near an open flame.

IMPORTANT: When operating in temperatures below 32°F (0°C), use fresh, clean winter grade gasoline to help insure good cold weather starting.

CAUTION: Alcohol blended fuels (called gasohol or using ethanol or methanol) can attract moisture which leads to separation and formation of acids during storage. Acidic gas can damage the fuel system of an engine while in storage. To avoid engine problems, the fuel system should be emptied before storage of 30 days or longer. Drain the gas

tank, start the engine and let it run until the fuel lines and carburetor are empty. Use fresh fuel next season. See Storage Instructions for additional information. Never use engine or carburetor cleaner products in the fuel tank or permanent damage may occur.

TO START ENGINE

CAUTION: Keep tine control in "OFF" position when starting engine.

When starting engine for the first time or if engine has run out of fuel, it will take extra pulls of the recoil starter to move fuel from the tank to the engine.

1. Make sure spark plug wire is properly connected.
2. Place throttle control in "FAST" position.
3. Move choke control to full "CHOKE" position. Grasp recoil starter handle with one hand and grasp tiller handle with other hand. Pull rope out slowly until engine reaches start of compression cycle (rope will pull slightly harder at this point).
4. Pull recoil starter handle quickly. Do not let starter handle snap back against starter. Repeat if necessary.

NOTE: If engine fires but does not start, move choke control to half choke position. Pull recoil starter handle until engine starts.

5. When engine starts, slowly move choke control to "RUN" position as engine warms up.

NOTE: A warm engine requires less choking to start.

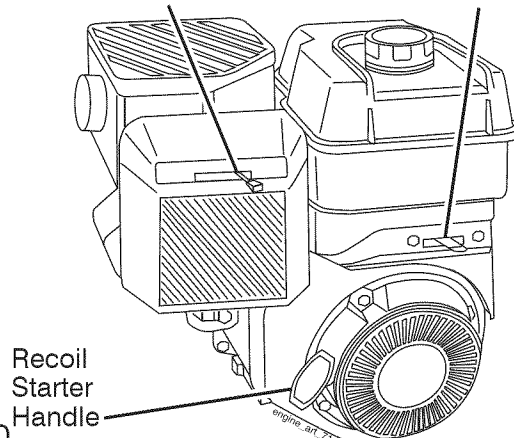
6. Move throttle control to desired running position.
7. Allow engine to warm up for a few minutes before engaging tines.

NOTE: If at a high altitude (3000 feet) or in cold temperatures (below 32°F/0°C), the carburetor fuel mixture may need to be adjusted for best engine performance. See "TO ADJUST CARBURETOR" in the Service and Adjustments section of this manual.

NOTE: If engine does not start, see troubleshooting points.

Choke Control

Throttle Control



BREAKING IN YOUR TILLER

Break-in your belt(s), pulleys and tine control before you actually begin tilling.

- Start engine, tip tines off ground by pressing handles down and engage tine control to start tine rotation. Allow tines to rotate for five minutes.
- Check tine operation and adjust if necessary. See "TINE OPERATION CHECK" in the Service and Adjustments section of this manual.

TILLING HINTS

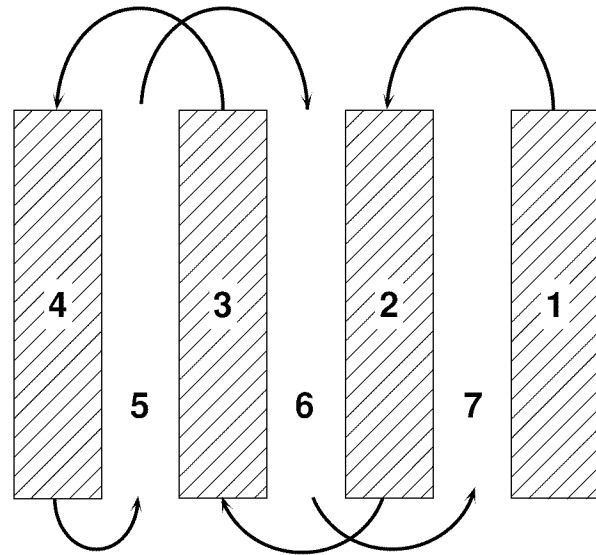
CAUTION: Until you are accustomed to handling your tiller, start actual field use with throttle in slow position.

To help tiller move forward, lift up the handles slightly (thus lifting depth stake out of ground). To slow down the tiller, press down on handles.

If you are straining or tiller is shaking, the wheels and depth stake are not set properly in the soil being tilled. The proper setting of the wheels and depth stake is through trial and error and depends upon the soil condition. (The harder or wetter the ground, the slower the engine and tine speed needed. Under these poor conditions, at fast speed the tiller will run and jump over the ground). A properly adjusted tiller will dig with little effort from the operator.

- Tilling is digging into, turning over, and breaking up packed soil before planting. Loose, unpacked soil helps root growth. Best tilling depth is 4"-6". A tiller will also clear the soil of unwanted vegetation. The decomposition of this vegetable matter enriches the soil. Depending on the climate (rainfall and wind), it may be advisable to till the soil at the end of the growing season to further condition the soil.
- Soil conditions are important for proper tilling. Tines will not readily penetrate dry, hard soil which may contribute to excessive bounce and difficult handling of your tiller. Hard soil should be moistened before tilling; however, extremely wet soil will "ball-up" or clump during tilling. Wait until the soil is less wet in order to achieve the best results. When tilling in the fall, remove vines and long grass to prevent them from wrapping around the tine shaft and slowing your tilling operation.
- You will find tilling much easier if you leave a row untilled between passes. Then go back between tilled rows. There are two reasons for doing this. First, wide turns are much easier to negotiate than about-faces. Second, the tiller won't be pulling itself, and you, toward the row next to it.

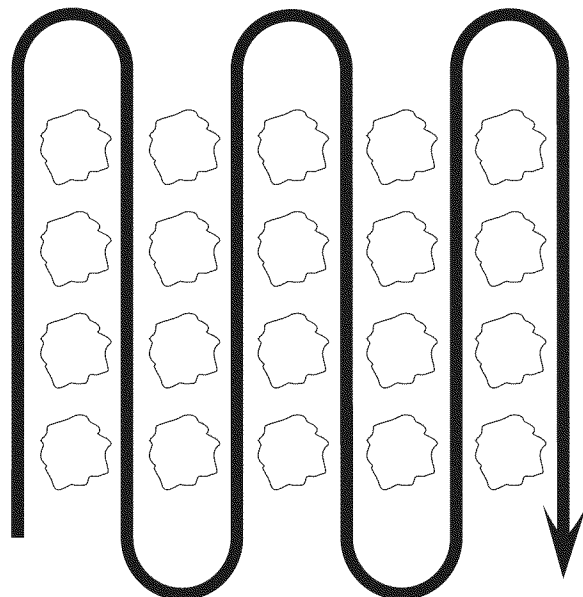
- Set depth stake and wheel height for shallow tilling when working extremely hard soil or sod. Then work across the first cuts at normal depth.



CULTIVATING

Cultivating is destroying the weeds between rows to prevent them from robbing nourishment and moisture from the plants. At the same time, breaking up the upper layer of soil crust will help retain moisture in the soil. Best digging depth is 1"-3".

- You will probably not need to use the depth stake. Begin by tipping the depth stake forward until it is held by the stake spring.
- Cultivate up and down the rows at a speed which will allow tines to uproot weeds and leave the ground in rough condition, promoting no further growth of weeds and grass.



MAINTENANCE

MAINTENANCE SCHEDULE	BEFORE EACH USE				EVERY 5 HOURS				EVERY 25 HOURS				EVERY 50 HOURS				SERVICE DATES			
FILL IN DATES AS YOU COMPLETE REGULAR SERVICE																				
Check Engine Oil Level	✓	✓																		
Change Engine Oil								✓ _{1,2}												
Oil Pivot Points		✓																		
Inspect Spark Arrester / Muffler								✓												
Inspect Air Screen	✓																			
Clean or Replace Air Cleaner Cartridge								✓ ₂												
Clean Engine Cylinder Fins								✓												
Replace Spark Plug								✓												

1 - Change more often when operating under a heavy load or in high ambient temperatures.
 2 - Service more often when operating in dirty or dusty conditions.

GENERAL RECOMMENDATIONS

The warranty on this tiller does not cover items that have been subjected to operator abuse or negligence. To receive full value from the warranty, the operator must maintain tiller as instructed in this manual. Some adjustments will need to be made periodically to properly maintain your tiller. All adjustments in the Service and Adjustments section of this manual should be checked at least once each season.

- Once a year you should replace the spark plug, clean or replace air filter, and check tines and belts for wear. A new spark plug and clean air filter assure proper air-fuel mixture and help your engine run better and last longer.

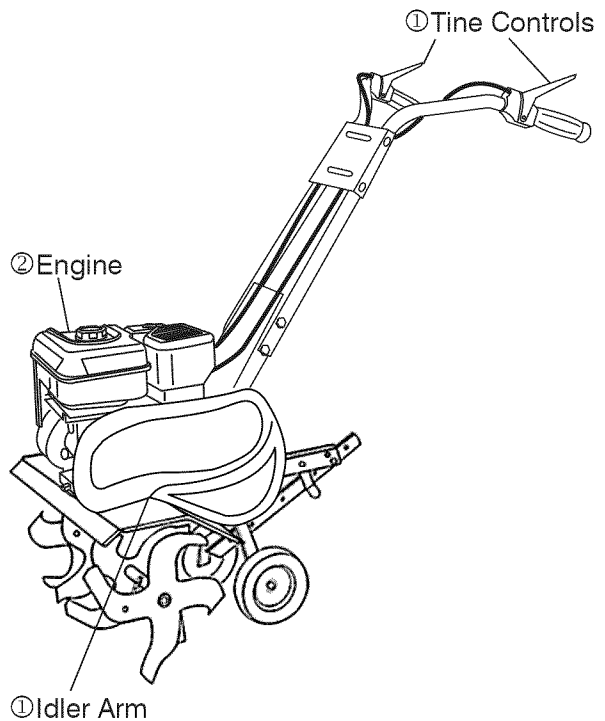
BEFORE EACH USE

1. Check engine oil level.
2. Check tine operation.
3. Check for loose fasteners.

LUBRICATION

Keep unit well lubricated (See "LUBRICATION CHART").

LUBRICATION CHART



- ① SAE 30 OR 10W-30 MOTOR OIL
- ② Refer to Maintenance "ENGINE" section

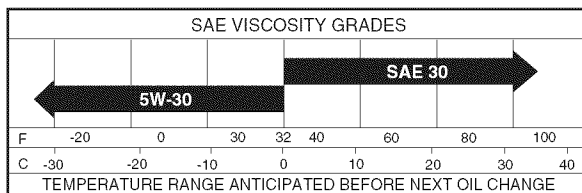
⚠ CAUTION: Disconnect spark plug wire before performing any maintenance (except carburetor adjustment) to prevent accidental starting of engine.

Prevent fires! Keep the engine free of grass, leaves, spilled oil, or fuel. Remove fuel from tank before tipping unit for maintenance. Clean muffler area of all grass, dirt, and debris.

Do not touch hot muffler or cylinder fins as contact may cause burns.

ENGINE LUBRICATION

Use only high quality detergent oil rated with API service classification SG-SL. Select the oil's SAE viscosity grade according to your expected temperature.



NOTE: Although multi-viscosity oils (5W-30, 10W-30, etc.) improve starting in cold weather, these multi-viscosity oils will result in increased oil consumption when used above 32°F (0°C). Check your engine oil level more frequently to avoid possible engine damage from running low on oil.

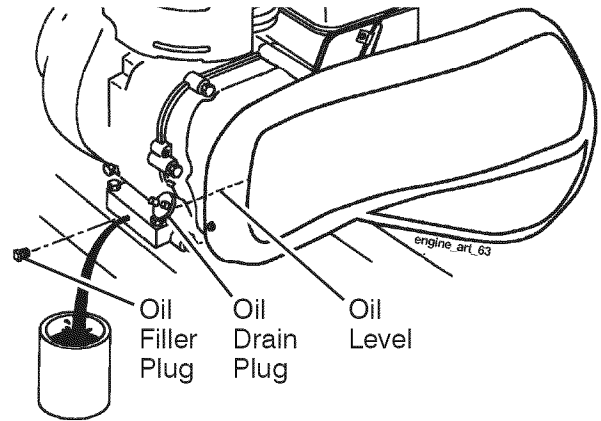
Change the oil after every 50 hours of operation or at least once a year if the tiller is not used for 50 hours in one year.

Check the crankcase oil level before starting the engine and after each five (5) hours of continuous use. Add SAE 30 motor oil or equivalent. Tighten oil filler plug securely each time you check the oil level.

TO CHANGE ENGINE OIL

Determine temperature range expected before oil change. All oil must meet API service classification SG-SL.

- Be sure tiller is on level surface.
 - Oil will drain more freely when warm.
 - Catch oil in a suitable container.
1. Remove drain plug.
 2. Tip tiller forward to drain oil.
 3. After oil has drained completely, replace oil drain plug and tighten securely.
 4. Remove oil filler plug. Be careful not to allow dirt to enter the engine.
 5. Refill engine with oil. See "FILL ENGINE WITH OIL" in the Operation section of this manual.



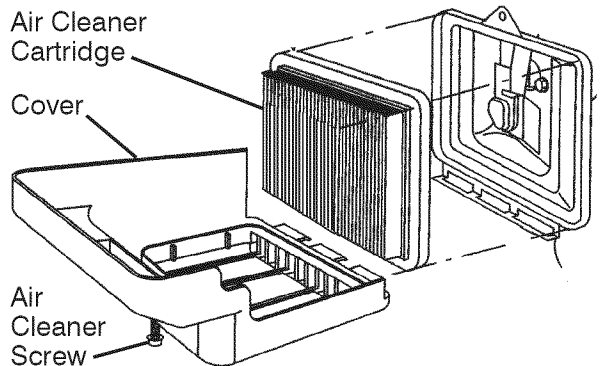
AIR CLEANER

Service air cleaner cartridge every 50 hours, more often if engine is used in very dusty conditions.

1. Loosen air cleaner screw.
2. Remove air cleaner cover.
3. Carefully remove air cleaner cartridge. Be careful. Do not allow dirt or debris to fall into carburetor.
4. Clean by tapping gently on a flat surface.
5. Clean and replace cover. Tighten screw securely.

NOTE: If very dirty or damaged, replace cartridge.

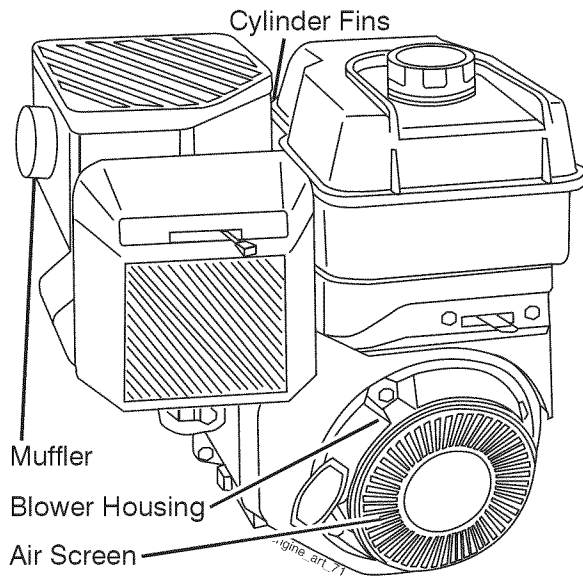
⚠ CAUTION: Petroleum solvents, such as kerosene, are not to be used to clean cartridge. They may cause deterioration of the cartridge. Do not oil cartridge. Do not use pressurized air to clean or dry cartridge.



COOLING SYSTEM

Your engine is air cooled. For proper engine performance and long life keep your engine clean.

- Clean air screen frequently using a stiff-bristled brush.
- Remove blower housing and clean as necessary.
- Keep cylinder fins free of dirt and chaff.



MUFFLER

Do not operate tiller without muffler. Do not tamper with exhaust system. Damaged mufflers or spark arresters could create a fire hazard. Inspect periodically and replace if necessary. If your engine is equipped with a spark arrester screen assembly, remove every 50 hours for cleaning and inspection. Replace if damaged.

SPARK PLUG

Replace spark plugs at the beginning of each tilling season or after every 50 hours of use, whichever comes first. Spark plug type and gap setting are shown in "PRODUCT SPECIFICATIONS" on page 4 of this manual.

TRANSMISSION

Your transmission is sealed and will not require lubrication unless serviced.

CLEANING

Do not clean your tiller when the engine and transmission are hot. We do not recommend using pressurized water (garden hose, etc.) to clean your unit unless the gasket area around the transmission and the engine muffler, air filter and carburetor are covered to keep water out. Water in engine will shorten the useful life of your tiller.

- Clean engine, wheels, finish, etc. of all foreign matter.
- Keep finished surfaces and wheels free of all gasoline, oil, etc.
- Protect painted surfaces with automotive type wax.

SERVICE AND ADJUSTMENTS

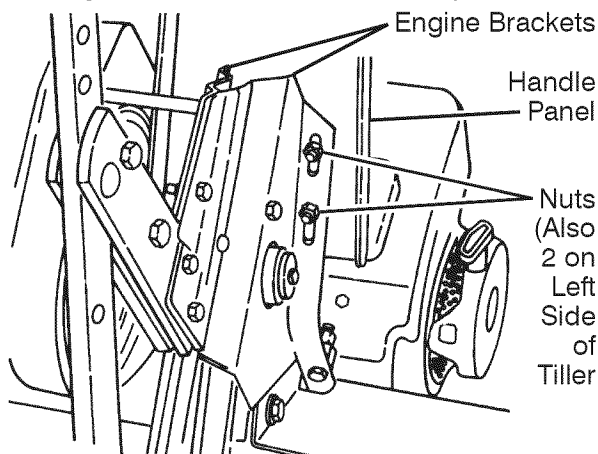
CAUTION: Disconnect spark plug wire from spark plug and place wire where it cannot come into contact with plug.

TILLER

TO ADJUST HANDLE HEIGHT

Factory assembly has provided lowest handle height. Select handle height best suited for your tilling conditions. Handle height will be different when tiller digs into soil.

1. If a higher handle height is desired, loosen the four nuts securing handle panel to engine brackets.
2. Slide handle panel to desired location.
3. Tighten the four nuts securely.



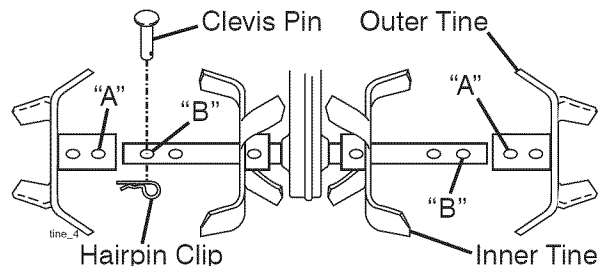
TINE ARRANGEMENT

Your outer tines can be assembled in several different ways to suit your tilling or cultivating needs.

CAUTION: Tines are sharp. Wear gloves or other protection when handling tines.

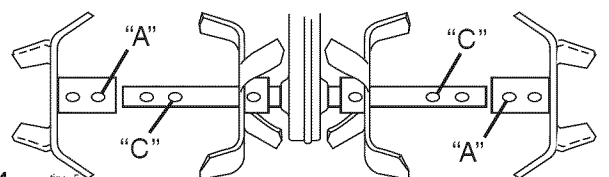
NORMAL TILLING - 24" PATH

- Assemble holes "A" in tine hubs to holes "B" in tine shaft.



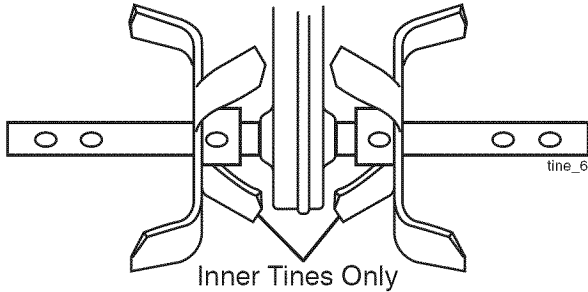
MID-WIDTH TILLING - 22" PATH

- Assemble holes "A" in tine hubs to holes "C" in tine shaft.



NARROW TILLING/CULTIVATING - 12-3/4" PATH

- Remove outer tines.

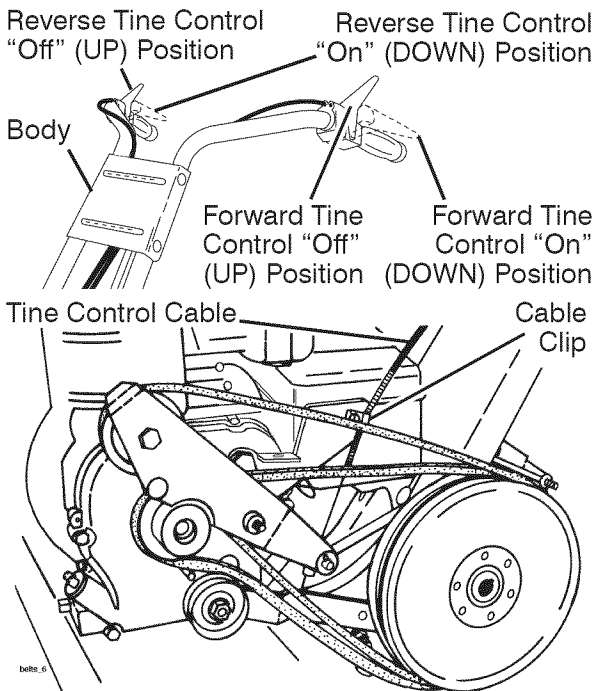


NOTE: When reassembling outer tines, be sure right tine assembly (marked "R") and left tine assembly (marked "L") are mounted to correct side of tine shaft.

TINE OPERATION CHECK

⚠WARNING: Disconnect spark plug wire from spark plug to prevent starting while checking tine operation.

For proper tine operation, forward tine control lever must be against control body and all slack removed from inner wire of control cable when control is in the "OFF" (up) position.



If lever and cable are loose, loosen cable clip at lower end of cable. Pull up on cable to remove slack, without extending spring on end of cable, and retighten cable clip.

FINAL CHECK "OFF" POSITION

- With tine control "OFF" (up), push down on handle to raise tines off the ground.
- Slowly pull recoil starter handle while observing tines. Tines should not rotate.

- If tines rotate, inner wire of control cable is too tight which is extending lower spring and engaging tines. Loosen cable clip and push down on cable only enough to relieve spring tension. Tighten cable clip.
- Recheck in "OFF" position and adjust if necessary.

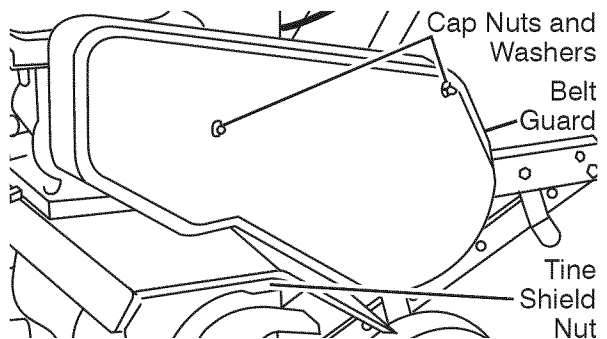
FINAL CHECK "ON" POSITION

- With tine control "ON" (held down to handle) push down on handle to raise tines off the ground.
- Slowly pull recoil starter handle while observing tines. Tines should rotate forward.
- If tines do not rotate, inner wire of control cable is too loose. Loosen cable clip and pull cable up to remove slack and retighten clip.
- Recheck in "ON" position and adjust if necessary.

NOTE: If "ON" position check required adjustment, recheck "OFF" position adjustment to insure tines do not rotate when control is "OFF" (up).

TO REMOVE BELT GUARD

- Remove two (2) cap nuts and washers from side of belt guard.
- Loosen (do not remove) tine shield nut on underside of tine shield.
- Pull belt guard out and away from unit.
- Replace belt guard by reversing above procedure. Be sure slot in bottom of belt guard is under head of tine shield bolt and all nuts are tightened securely.



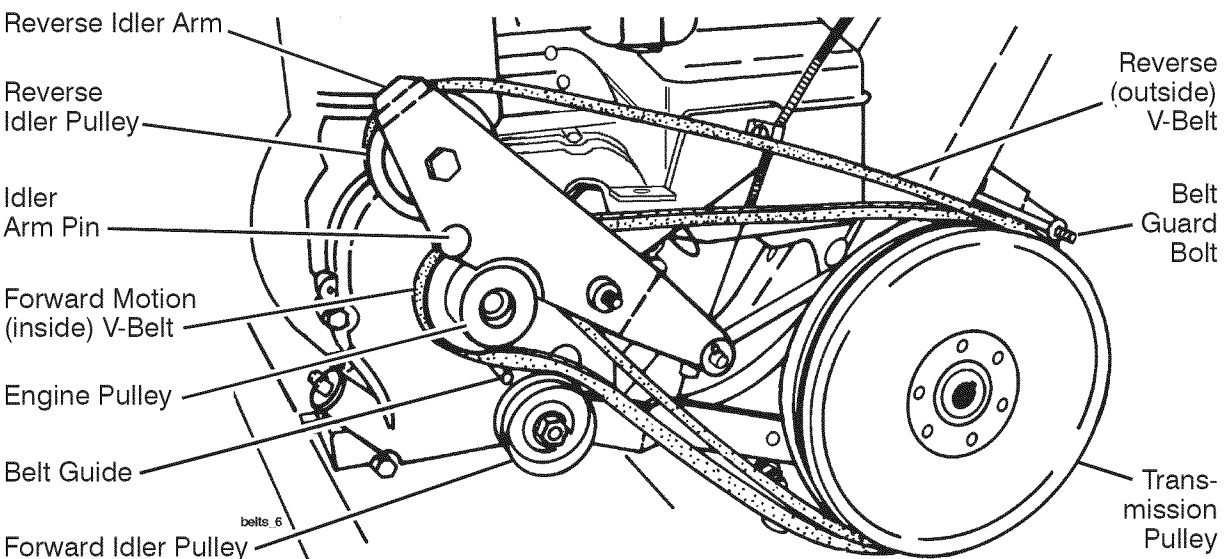
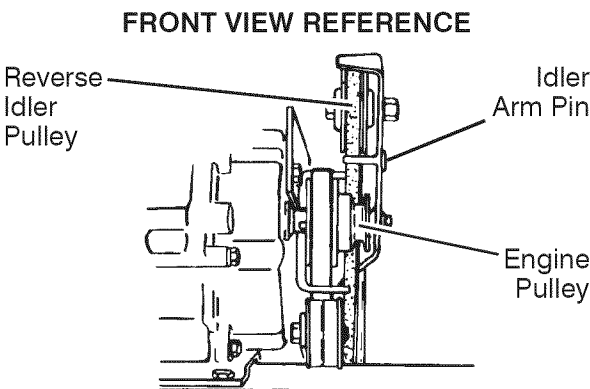
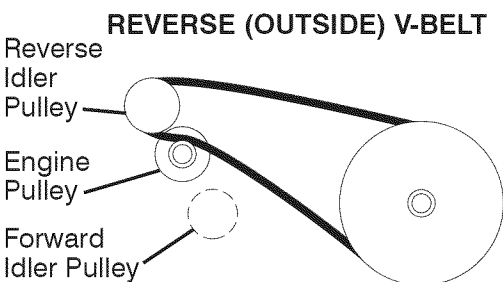
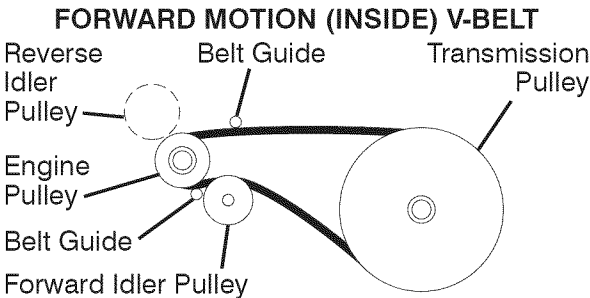
TO REPLACE V-BELTS

Replace V-belts if they have stretched considerably or if they show cracks or frayed edges. There are two (2) V-belts - forward (inside) and reverse (outside). Belt guard must be removed to service belts. See "TO REMOVE BELT GUARD" in this section of manual.

NOTE: Observe carefully routing of both belts and location of all belt guides before removing belts.

BELT REMOVAL

- Remove reverse idler pulley from idler arm.
- Remove reverse (outside) V-belt.
- Remove forward (inside) V-belt from transmission pulley first and then from engine pulley.



BELT REPLACEMENT

- Install new forward (inside) V-belt to engine pulley first then to transmission pulley. Be sure belt is positioned on inside groove of both pulleys, inside all belt guides and rests on idler pulley.
- Before installing reverse (outside) V-belt, turn belt "inside out". Twist so wide, flat surface of belt is to inside.
- Wrap V-belt around reverse idler pulley and reassemble idler to idler arm. Tighten securely. Be sure belt is between reverse idler pulley and idler arm pin.
- Install belt to outside groove of transmission pulley. Be sure belt is inside all belt guides and rests on outside groove of engine pulley.

CHECK TINE OPERATION

- See "TINE OPERATION CHECK" in this section of manual.

REPLACE BELT GUARD

ENGINE TO ADJUST CARBURETOR

The carburetor has been preset at the factory and adjustment should not be necessary. **IMPORTANT:** Never tamper with the engine governor, which is factory set for proper engine speed. Overspeeding the engine above the factory high speed setting can be dangerous. If you think the engine-governed high speed needs adjusting, contact your nearest sears or other qualified service center which has the proper equipment and experience to make any necessary adjustments.

STORAGE

Immediately prepare your tiller for storage at the end of the season or if the unit will not be used for 30 days or more.

⚠WARNING: Never store the tiller with gasoline in the tank inside a building where fumes may reach an open flame or spark. Allow the engine to cool before storing in any enclosure.

TILLER

1. Clean entire tiller (See "CLEANING" in the Maintenance section of this manual).
2. Inspect and replace belts, if necessary (See belt replacement instructions in the Service and Adjustments section of this manual).
3. Lubricate as shown in the Maintenance section of this manual.
4. Be sure that all nuts, bolts and screws are securely fastened. Inspect moving parts for damage, breakage and wear. Replace if necessary.
5. Touch up all rusted or chipped paint surfaces; sand lightly before painting.

ENGINE

FUEL SYSTEM

IMPORTANT: It is important to prevent gum deposits from forming in essential fuel system parts such as the carburetor, fuel filter, fuel hose, or tank during storage. Also, alcohol blended fuels (called gasohol or using ethanol or methanol) can attract moisture which leads to separation and formation of acids during storage. Acidic gas can damage the fuel system of an engine while in storage.

- Empty the fuel tank by starting the engine and letting it run until the fuel lines and carburetor are empty.
- Never use engine or carburetor cleaner products in the fuel tank or permanent damage may occur.

- Use fresh fuel next season.

NOTE: Fuel stabilizer is an acceptable alternative in minimizing the formation of fuel gum deposits during storage. Add stabilizer to gasoline in fuel tank or storage container. Always follow the mix ratio found on stabilizer container. Run engine at least 10 minutes after adding stabilizer to allow the stabilizer to reach the carburetor. Do not empty the gas tank and carburetor if using fuel stabilizer.

ENGINE OIL

Drain oil (with engine warm) and replace with clean oil. (See "ENGINE" in the Maintenance section of this manual).

CYLINDER

1. Remove spark plug.
2. Pour 1 ounce (29 ml) of oil through spark plug hole into cylinder.
3. Pull starter handle slowly several times to distribute oil.
4. Replace with new spark plug.

OTHER

- Do not store gasoline from one season to another.
- Replace your gasoline can if your can starts to rust. Rust and/or dirt in your gasoline will cause problems.
- If possible, store your unit indoors and cover it to give protection from dust and dirt.
- Cover your unit with a suitable protective cover that does not retain moisture. Do not use plastic. Plastic cannot breathe which allows condensation to form and will cause your unit to rust.

IMPORTANT: Never cover tiller while engine and exhaust areas are still warm.

TROUBLESHOOTING CHART:

See appropriate section in manual unless directed to Sears service center

PROBLEM	CAUSE	CORRECTION
Will not start	<ol style="list-style-type: none">1. Out of fuel.2. Engine not "CHOKED" properly.3. Engine flooded.4. Dirty air cleaner.5. Water in fuel.6. Clogged fuel tank.7. Loose spark plug wire.8. Bad spark plug or improper gap.9. Carburetor out of adjustment	<ol style="list-style-type: none">1. Fill fuel tank.2. See "TO START ENGINE" in the Operation section.3. Wait several minutes before attempting to start.4. Clean or replace air cleaner cartridge.5. Empty fuel tank and carburetor, and refill tank with fresh gasoline.6. Remove fuel tank and clean.7. Make sure spark plug wire is seated properly on plug.8. Replace spark plug or adjust gap.9. Make necessary adjustments.
Hard to start	<ol style="list-style-type: none">1. Throttle control not set properly.2. Dirty air cleaner.3. Bad spark plug or improper gap.4. Stale or dirty fuel.5. Loose spark plug wire.6. Carburetor out of adjustment.	<ol style="list-style-type: none">1. Place throttle control in "FAST" position.2. Clean or replace air cleaner cartridge.3. Replace spark plug or adjust gap.4. Empty fuel tank and refill tank with fresh clean gasoline.5. Make sure spark plug wire is seated properly on plug.6. Make necessary adjustments.
Loss of power	<ol style="list-style-type: none">1. Engine is overloaded.2. Dirty air cleaner.3. Low oil level/dirty oil.4. Faulty spark plug.5. Oil in fuel.6. Stale or dirty fuel.7. Water in fuel.8. Clogged fuel tank.9. Spark plug wire loose.10. Dirty engine air screen.11. Dirty/clogged muffler.12. Carburetor out of adjustment.13. Poor compression.	<ol style="list-style-type: none">1. Set depth stake and wheels for shallower tilling.2. Clean or replace air cleaner cartridge.3. Check oil level/change oil.4. Clean and regap or change spark plug.5. Empty and clean fuel tank and refill, and clean carburetor.6. Empty fuel tank and refill tank with fresh clean gasoline7. Empty fuel tank and carburetor, and refill tank with fresh gasoline.8. Remove fuel tank and clean.9. Connect and tighten spark plug wire.10. Clean engine air screen.11. Clean/replace muffler.12. Make necessary adjustments.13. Contact a Sears or other qualified service center.

TROUBLESHOOTING CHART:

See appropriate section in manual unless directed to Sears service center

PROBLEM	CAUSE	CORRECTION
Engine overheats	<ol style="list-style-type: none">1. Low oil level/dirty oil.2. Dirty engine air screen.3. Dirty engine.4. Partially plugged muffler.5. Improper carburetor adjustment.	<ol style="list-style-type: none">1. Check oil level/change oil.2. Clean engine air screen.3. Clean cylinder fins, airscreen, muffler area.4. Remove and clean muffler.5. Adjust carburetor to richer position.
Excessive bounce/difficult handling	<ol style="list-style-type: none">1. Ground too dry and hard.2. Wheels and depth stake incorrectly adjusted.	<ol style="list-style-type: none">1. Moisten ground or wait for more favorable soil conditions.2. Adjust wheels and depth stake.
Soil balls up or clumps	<ol style="list-style-type: none">1. Ground too wet.	<ol style="list-style-type: none">1. Wait for more favorable soil conditions.
Engine runs but tiller won't move	<ol style="list-style-type: none">1. Tine control is not engaged.2. V-belt not correctly adjusted.3. V-belt is off pulley(s).	<ol style="list-style-type: none">1. Engage tine control.2. Inspect/adjust V-belt.3. Inspect V-belt.
Engine runs but labors when tilling	<ol style="list-style-type: none">1. Tilling too deep.2. Throttle control not properly adjusted.3. Carburetor out of adjustment.	<ol style="list-style-type: none">1. Set depth stake for shallower tilling.2. Check throttle control setting.3. Make necessary adjustments.

NEED MORE HELP?

You'll find the answer and more on managemyhome.com – for free!

- Find this and all your other product manuals online.
- Get answers from our team of home experts.
- Get a personalized maintenance plan for your home.
- Find information and tools to help with home projects.

manage my home

brought to you by Sears

TABLA DE CONTENIDOS

Garantía.....	20	Mantenimiento	30
Reglas de Seguridad	21	Servicio y Ajustes	33
Especificaciones del producto	23	Almacenamiento	35
Montaje/Pre Operación.....	24	Identificación de Problemas	36
Operación	26	Vea el manual Inglés del dueño	Back Cover
Programa De Mantenimiento.....	30		

GARANTIA

Garantía para equipos tractores Craftsman Professional

GARANTÍA COMPLETA PROFESIONAL DE CRAFTSMAN

POR DOS AÑOS desde la fecha de compra, todas las partes no sustituibles de este equipo tractor están garantizadas contra cualquier defecto de material o mano de obra. Una parte no sustituible defectuosa recibirá reparación o reemplazo gratuito en casa si la reparación es imposible.

POR CINCO AÑOS desde la fecha de compra, el bastidor y el eje delantero de este equipo tractor están garantizados contra cualquier defecto de material o mano de obra. Un bastidor o eje delantero defectuoso recibirá reparación o reemplazo gratuito en casa si la reparación es imposible.

Toda la cobertura de garantía anterior se aplica únicamente por un año a partir de la fecha de compra si este equipo tractor alguna vez se utiliza con fines comerciales o de alquiler.

DURANTE 90 DÍAS desde la fecha de compra, la batería (una parte sustituible) de este equipo tractor está garantizada contra cualquier defecto de material o mano de obra (nuestra prueba comprueba que no contendrá carga). Una batería defectuosa recibirá un reemplazo gratuito en casa.

GARANTÍA LIMITADA DE POR VIDA ADICIONAL en el EJE DELANTERO DE HIERRO COLADO (si está provisto)

DURANTE EL TIEMPO EN QUE SE USE por el propietario original después del quinto año a partir de la fecha de compra, el eje delantero de hierro colado (si está provisto) de este equipo tractos está garantizado contra cualquier defecto de material o mano de obra. Con el comprobante de compra, un eje delantero de hierro colado recibirá un reemplazo gratuito en casa.

SERVICIO DE GARANTÍA

Para conocer los detalles de la cobertura de garantía para obtener una reparación o reemplazo gratuito, llame al 1-800-659-5917 ó visite el sitio web: www.craftsman.com

En todos los casos anteriores, si el reemplazo es imposible, el equipo tractor será sustituido sin cargo con el mismo modelo o uno equivalente.

Esta garantía cubre ÚNICAMENTE defectos de material y mano de obra. La cobertura de garantía NO incluye:

- Partes sustituibles (excepto la batería) que se puedan desgastar por el uso normal dentro del período de garantía incluso, pero sin limitarse a, cuchillas, bujías, filtros de aire, correas y filtros de aceite.
- Servicios de mantenimiento estándar, cambios de aceite o afinaciones.
- Reemplazo o reparación de neumáticos por pinchazos causados por objetos externos como clavos, espinas, tocones o vidrios.
- Reemplazo o reparación de neumáticos o ruedas por desgaste normal, accidentes o por operación o mantenimiento incorrectos.
- Reparaciones necesarias por abuso del operador incluso, pero sin limitarse a, daños causados por remolcar objetos que superen la capacidad del equipo tractor, chocar contra objetos que doblen el bastidor, el ensamble del eje o el cigüeñal o sobrepasar la velocidad del motor.
- Reparaciones necesarias por negligencia del operador, incluso (pero sin limitarse a ello) daños eléctricos y mecánicos causados por el almacenamiento incorrecto, por no usar el grado y la cantidad correctos de aceite de motor, por no mantener del muelle libre de residuos inflamables o por no mantener el equipo tractor de acuerdo con las instrucciones que contiene el manual del operador.
- Limpieza o reparaciones del motor (sistema de combustible) cuando se determina que se usó combustible contaminado y oxidado (sarro). En general, el combustible debe usarse dentro de los 30 días posteriores a su compra.
- Deterioro y desgaste normal de los acabados exteriores o sustitución de rótulos de productos.

Esta garantía le otorga derechos legales específicos, y usted también puede tener otros derechos que varían de un estado a otro.

Sears Brands Management Corporation, Hoffman Estates, IL 60179

REGLAS DE SEGURIDAD

IMPORTANTE: Esta Máquina cortadora es capaz de amputar las manos y los pies y de lanzar objetos. Si no se observan las instrucciones de seguridad siguientes se pueden producir lesiones graves o la muerte.

ENTRENAMIENTO

- Lea el Manual del Dueño cuidadosamente. Familiarícese completamente con los controles y con el uso adecuado del equipo. Sepa cómo parar la unidad y desenganchar los controles rápidamente.
- Nunca permita que los niños operen el equipo. Nunca permita que los adultos operen el equipo sin los conocimientos adecuados.
- Mantenga el área de operación despejada de personas, especialmente niños pequeños y animales domésticos.

PREPARACIÓN

- Inspeccione cuidadosamente el área en donde se va usar el equipo y remueva los objetos extraños.
- Desenganche todos los embragues y cambie a neutro antes de hacer arrancar el motor.
- No opere el equipo sin usar ropa exterior adecuada. Use zapatos que mejoren el equilibrio en superficies resbalosas.
- Maneje el combustible con cuidado pues es muy inflamable.
- Use un envase de combustible aprobado.
- Nunca añada combustible a un motor en funcionamiento o caliente.
- Llene el estanque de combustible afuera con mucho cuidado. Nunca llene el estanque de combustible en un recinto cerrado.
- Vuelva a colocar la tapa del depósito de gasolina en forma segura y limpie el combustible derramado antes de volver a arrancar.
- Use cordones de extensión y receptáculos, según las especificaciones del fabricante, para todas las unidades con motores de impulsión o con motores de arranque eléctrico.
- Nunca trate de hacer ningún ajuste mientras que el motor esté funcionando (excepto en los casos específicamente recomendados por el fabricante).


OPERACIÓN


- No ponga ni las manos ni los pies cerca o debajo de las piezas rotatorias.
- Tenga mucho cuidado cuando opere o cruce entradas para automóviles de ripio, senderos o caminos. Esté alerta en lo que se refiere a los peligros escondidos o al tráfico. No lleve pasajeros.
- Después de pegarle a un objeto extraño, pare el motor, remueva el alambre de la bujía, inspeccione la cultivadora cuidadosamente, para verificar si hay daños, y repare el daño antes de volver a arrancar y operar la cultivadora.
- Tenga cuidado para evitar resbalarse o caerse.
- Si la unidad empieza a vibrar anormalmente, pare el motor y revísela inmediatamente para verificar la causa. La vibración normalmente es un aviso de problemas.
- Pare el motor cuando abandone la posición de operación.
- Tome todas las precauciones posibles cuando deje la máquina desatendida. Desenganche los brazos, cambie a neutro y pare el motor.
- Antes de limpiar, reparar e inspeccionar, apague el motor y asegúrese que todas las partes en movimiento se han detenido. Desconecte el alambre de la bujía, y manténgalo alejado de ésta para evitar el arranque por accidente. Desconecte el cordón en los motores eléctricos.
- No haga funcionar el motor en recintos cerrados; los gases de escape son peligrosos.
- Nunca opere la cultivadora sin las protecciones, y las planchas adecuadas y sin los demás dispositivos de seguridad en su lugar.
- Mantenga a los niños y a los animales domésticos alejados.
- No sobrecargue la capacidad de la máquina, tratando de cultivar a mucha profundidad, muy rápido.
- Nunca opere la máquina a altas velocidades en superficies resbalosas. Mire hacia atrás y tenga cuidado cuando retroceda.
- Nunca permita la presencia de espectadores cerca de la unidad.
- Use solamente accesorios y aditamentos para la cultivadora aprobados por el fabricante.
- Nunca opere la cultivadora sin buena visibilidad o luz.
- Tenga cuidado al cultivar en terreno duro. Los brazos pueden quedarse agarrados en el suelo e impulsar a la cultivadora hacia adelante. Si esto sucede, suelte los mangos y no restrinja la máquina.


REGLAS DE SEGURIDAD

MANTENIMIENTO Y ALMACENAMIENTO

- Mantenga los accesorios y aditamentos de la máquina en buenas condiciones para el funcionamiento.
 - Revise las clavijas de seguro, los pernos de montaje del motor y otros pernos, a intervalos frecuentes, para verificar si están apretados en forma segura y asegurarse que el equipo esté en buenas condiciones de funcionamiento.
 - Nunca guarde la máquina con combustible en el estanque de combustible dentro de un edificio en donde hay fuentes de ignición presentes, tales como calentadores de agua o del ambiente, secadoras de ropa u otros artefactos parecidos. Permita que se enfríe el motor antes de guardarlo en algún lugar cerrado.
- Siempre refiérase a las instrucciones en la guía del operador para ver los detalles de importancia si la cultivadora va a ser guardada por un período de tiempo largo.

 Busque este símbolo que señala las precauciones de seguridad de importancia. Quiere decir – **¡¡¡ATENCIÓN!!! ¡¡¡ESTE ALERTO!!! SU SEGURIDAD ESTA COMPROMETIDA.**

 **PRECAUCIÓN:** Siempre desconecte el alambre de la bujía y póngalo donde no pueda entrar en contacto con la bujía, para evitar el arranque por accidente, durante la preparación, el transporte, el ajuste o cuando se hacen reparaciones.

 **ADVERTENCIA:** El tubo de escape del motor, algunos de sus constituyentes y algunos componentes del vehículo contienen o desprenden productos químicos conocidos en el Estado de California como causa de cáncer y defectos al nacimiento u otros daños reproductivos.

ESPECIFICACIONES DEL PRODUCTO

Capacidad de Gasolina:	2.9 Cuartos Sin plomo, Regular
Aceite (API:SG-SL): (Capacidad: 20 oz.)	SAE 30 (Sobre 32°F/0°C) SAE 5W-30 (Debajo 32°F/0°C)
Bujía : (Abertura: 0,030")	Champion RC12YC

FELICITACIONES por la compra de su Cultivadora Sears. Ha sido diseñada, planificada y fabricada para darle la mejor confiabilidad y el mejor rendimiento posible.

En el caso de que se encuentre con cualquier problema que no pueda solucionar fácilmente, haga el favor de ponerse en contacto con su centro de servicio cualificado. Sears cuenta con técnicos bien capacitados y competentes con herramientas adecuadas para darle servicio o para reparar su unidad.

Haga el favor de leer y de guardar este manual. Estas instrucciones le permitirán montar y mantener su cultivadora en forma adecuada. Siempre observe las "REGLAS DE SEGURIDAD."

RESPONSABILIDADES DEL CLIENTE

- Lea y observe las reglas de seguridad.
- Siga un programa regular de mantenimiento, cuidado y uso de su cultivadora.
- Siga las instrucciones descritas en las secciones "Mantenimiento" y "Almacenamiento" de este Manual del Dueño.

⚠️ ADVERTENCIA: Esta unidad viene equipada con un motor de combustión interno y no se debe usar sobre, o cerca, de un terreno no desarrollado cubierto de bosques, de arbustos o de césped, a menos que el sistema de escape del motor venga equipado con un amortiguador de chispas que cumpla con las leyes locales o estatales (si existen). Si se usa un amortiguador de chispas, el operador debe mantenerlo en condiciones de trabajo eficientes.

En el estado de California, la ley exige lo anterior (Sección 4442 del "California Public Resources Code" [Decreto de Recursos Públicos de California]). Otros estados pueden contar con otras leyes parecidas. Las leyes federales se aplican en las tierras federales. Su centro de Servicio más cercano tiene disponible amortiguadores de chispas para el silenciador. (Vea la sección de Partes de Repuesto en el manual Inglés del dueño.)

ACUERDOS DE PROTECCIÓN PARA LA REPARACIÓN

Congratulaciones por su buena compra. Su nuevo producto Craftsman® está diseñado y fabricado para funcionar de modo fiable por muchos años. Pero como todos los productos, puede necesitar alguna reparación de tanto en tanto. En este caso tener un Acuerdo de Protección para la Reparación puede hacerles ahorrar dinero y fastidios.

Compre ahora un Acuerdo de Protección para la Reparación y protéjese de molestias y gastos inesperados.

Un Acuerdo incluye los puntos siguientes:

- **Servicio experto** de nuestros 12.000 especialistas profesionales en la reparación.
- **Servicio ilimitado sin cargo alguno** para las partes y la mano de obra sobre todas las reparaciones garantizadas.
- **Sustitución del producto** si su producto garantizado no puede ser arreglado.
- **Descuento del 10%** sobre el precio corriente del servicio y de las partes relativas al servicio no cubiertas por el acuerdo; también el 10% menos sobre el precio corriente de un control de mantenimiento preventivo.
- **Ayuda rápida por teléfono** – soporte telefónico por parte de un técnico Sears sobre productos que requieren un arreglo en casa, y además una programación sobre los arreglos más convenientes.

Cuando se ha comprado el Acuerdo, basta con una llamada telefónica para programar el servicio. Puede llamar cuando quiera, día y noche o fijar en línea una cita para obtener el servicio. Sears tiene más de 12.000 especialistas profesionales en la reparación, que tienen acceso a más de 4.5 millones de partes y accesorios de calidad. Este es el tipo de profesionalidad con que puede contar para ayudar a alargar la vida del producto que acaba de comprar, por muchos años. ¡Compre hoy su Acuerdo de Protección para la Reparación!

Se aplican algunas limitaciones y exclusiones. Para conocer los precios y tener más Información, llame al 1-800-827-6655.


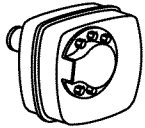
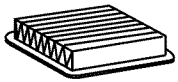
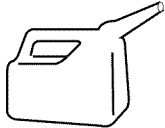


SERVICIO DE INSTALACIÓN SEARS

Para la instalación profesional Sears de aparatos de casa, puertas de garaje, calentadores de agua y otros importantes artículos para la casa, en U.S.A llame a 1-800-4-MY-HOME®





ACCESORIOS Y ADITAMENTOS

Estos accesorios estaban disponibles cuando se produjo la cultivadora. También están disponibles en la mayoría de las tiendas de Sears y en los centros de servicio. **ALGUNOS DE ESTOS ACCESORIOS TAL VEZ NO SE APLIQUEN A SU CULTIVADORA.**

MOTOR

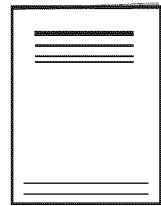
BUJÍA	SILENCIADOR	FILTRO DE AIRE	LATA DE GASOLINA	ACEITE DEL MOTOR	ESTABILIZADOR
					

MANTENIMIENTO DE LA CULTIVADORA

CORREA	BRAZOS	CLAVIJA DE SEGURO	ABRAZADERA DE HORQUILLA
			

PIEZAS SIN MONTAR

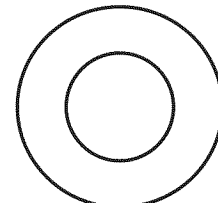
CONTENIDO DEL CONJUNTO DE FERRETERÍA



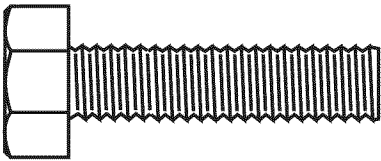
(1) Manual



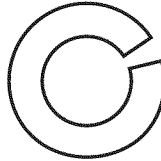
(1) Botella
Aciete del Motor



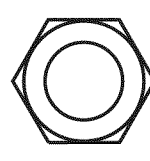
(4) Arandelas
3/8 x 7/8 x 14



(6) Pernos hexagonale
5/16-18 x 1-1/4



(6) Arandelas de
seguridad 5/16



(6) Tuercas hexagon-
ales 5/16-18

MONTAJE/PRE OPERACIÓN

Su cultivadora nueva ha sido montada en la fábrica, con la excepción de aquellas partes que se dejaron sin montar por razones de envío. Para asegurarse que la cultivadora operará en forma segura y adecuada, todas las partes y los artículos de ferretería que monte tienen que estar apretados en forma segura. Use las herramientas correctas, según sea necesario, para asegurarse de que queden apretadas en forma segura.

HERRAMIENTAS NECESARIAS PARA EL MONTAJE

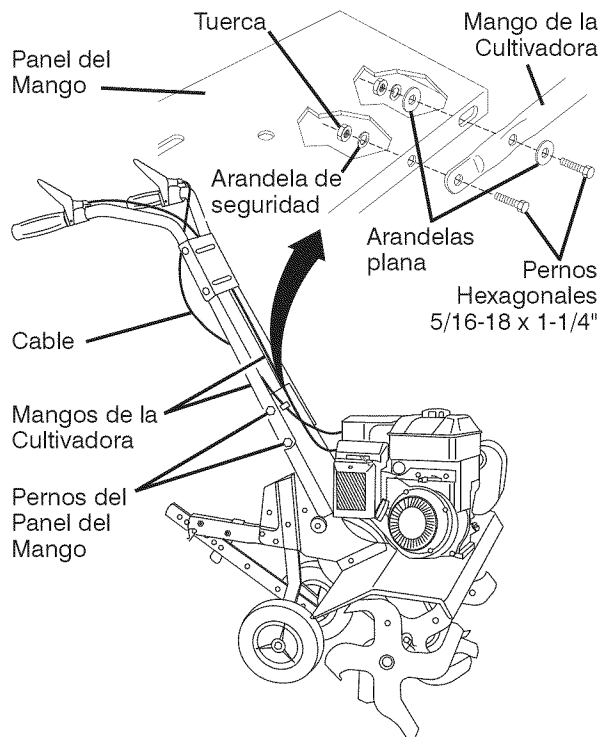
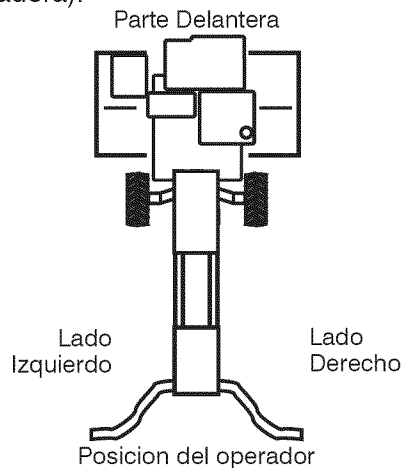
Se le facilitará el montaje si cuenta con un juego de llaves de tubo. Se han enumerado los tamaños estándar de las llaves.

- (1) Cuchillo para todo uso
- (2) Llave de 1/2"

MONTAJE/PRE OPERACIÓN

POSICIÓN DEL OPERADOR

Cuando en este manual se mencionan los términos “lado derecho” o “lado izquierdo” se refiere a cuando usted se encuentra en la posición de operación (parado/a detrás de los mangos de la cultivadora).



DESEMPAQUE DE LA CAJA DE CARTÓN

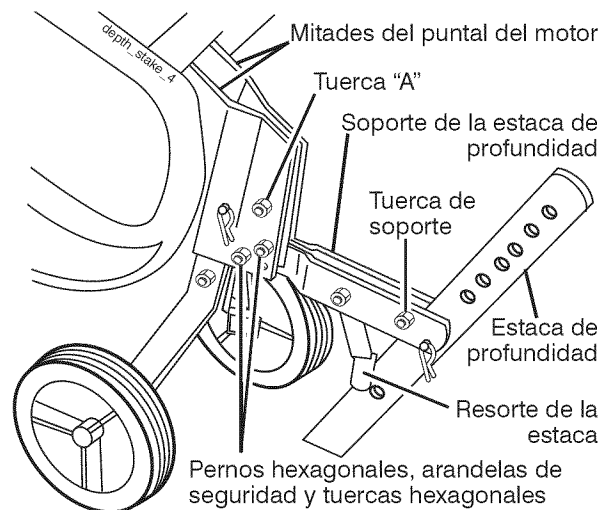
PRECAUCIÓN: Tenga cuidado con las grapas expuestas cuando maneje o deseche los materiales de la caja de cartón.

IMPORTANTE: Cuando desempaque y monte la cultivadora, tenga cuidado de no estirar o enredar los cables.

1. Corte las ligaduras del cable que aseguran los mangos.
2. El mango puede ser montado en la posición alta o baja. Lentamente, levante el conjunto del mango hacia arriba y alíne los agujeros del mango con el agujero y ranura del panel del mango.
3. Afloje el montaje de la quincallería como mostrado.

AVISO: Los cables no deben tocar el silenciador.

4. Corte las ligaduras del cable que aseguran la cultivadora al rodillo y remueva la cultivadora del rodillo.
5. Quitar el tornillo de fijación del pilote de profundidad para girar y remover el tornillo.



INSTALACIÓN DEL CONJUNTO DE LA ESTACA DE PROFUNDIDAD

1. Afloje las tuercas "A".
2. Inserte el soporte de la estaca entre las mitades del puntal del motor, con el resorte de la estaca hacia abajo.
3. Aparen el soporte de la estaca en los puntales del motor con los pernos hexagonales, las arandelas de seguridad y las tuercas. Apriételos en forma segura. También apriete las tuercas "A".
4. La estaca de profundidad se tiene que mover libremente. Si no lo hace, suelte el perno de soporte.

ALTURA DEL MANGO

- Se puede ajustar la altura del mango en la mejor forma que le acomode al operador. (Vea "ALTURA DEL MANGO" en la sección de Servicio y Ajustes de este manual.)

ANCHO DEL LABRADO

- Se puede ajustar el ancho del labrado para manejar mejor sus condiciones de labración (vea "ARREGLO DE LOS BRAZOS" en la sección de Servicio y Ajustes de este manual).

OPERACIÓN DE LOS BRAZOS

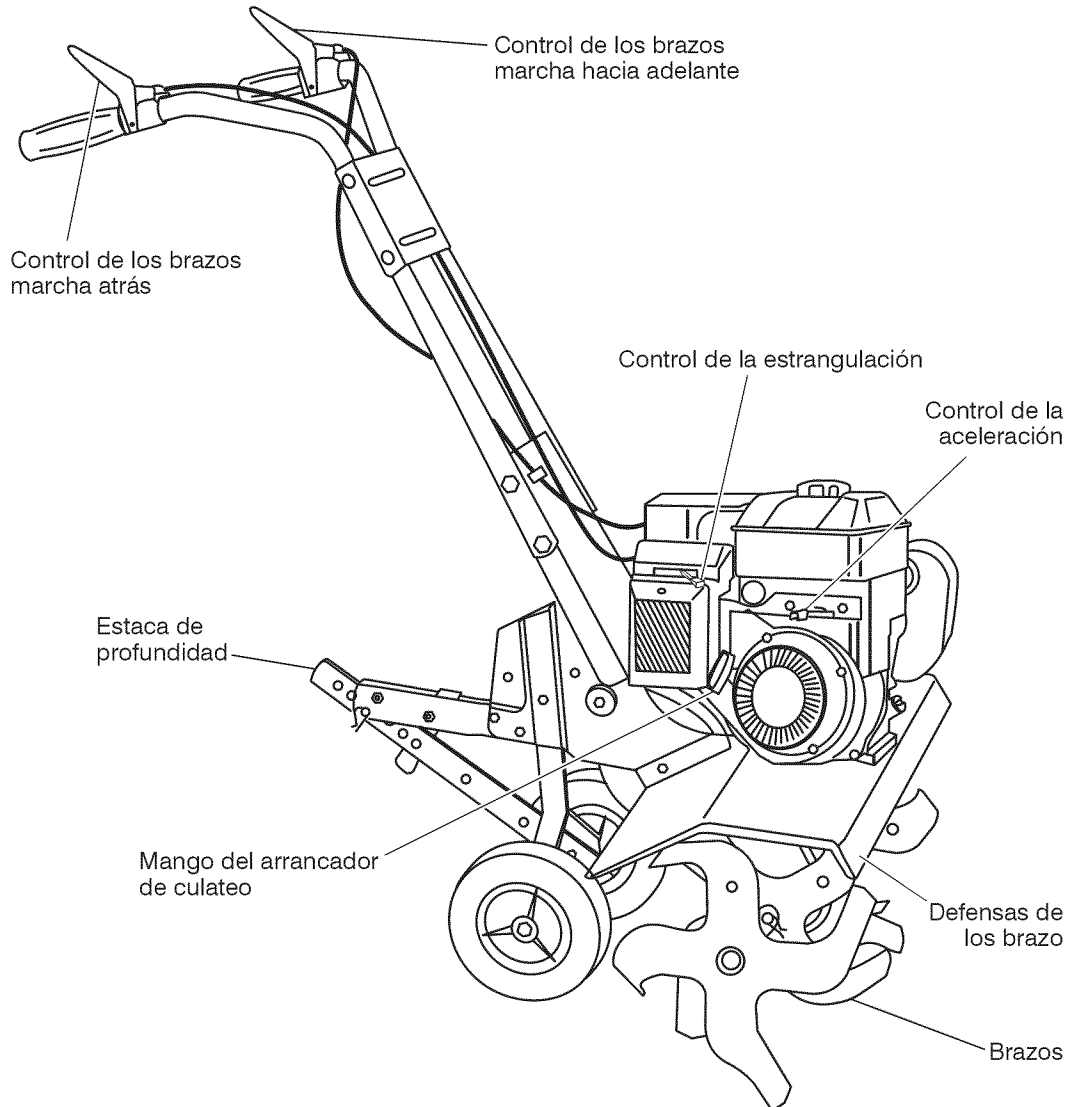
- Revise la operación de los brazos antes del primer uso (vea "REVISIÓN DE LA OPERACIÓN DE LOS BRAZOS" en la sección de Servicio y Ajustes de este manual).

OPERACIÓN

CONOZCA SU CULTIVADORA

LEA ESTE MANUAL DEL DUEÑO Y LAS REGLAS DE SEGURIDAD ANTES DE OPERAR SU CULTIVADORA

Estos símbolos pueden aparecer sobre su cultivadora en la literatura proporcionada con el producto. Aprenda y comprenda sus significados.



Las cultivadoras de Sears cumplen con los estándares de seguridad del American National Standard Institute (Instituto Nacional de Estándares Americano).

CONTROL DE LA ACELERACIÓN – Controla la velocidad del motor.

CONTROL DE LA ESTRANGULACIÓN– Úsalo cuando se hace arrancar un motor frío.

CONTROL DE LOS BRAZOS MARCHA HACIA ADELANTE – Engancha los brazos en la dirección de marcha hacia adelante.

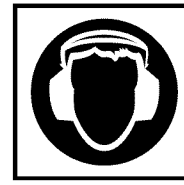
CONTROL DE LOS BRAZOS MARCHA ATRÁS – Engancha los brazos en la dirección marcha atrás.

ESTACA DE PROFUNDIDAD – Controla la velocidad de la marcha hacia adelante y la profundidad a la cual excavará la cultivadora.

MANGO DEL ARRANCADOR DE CULATEO – Se usa para hacer arrancar el motor.



La operación de cualquier cultivadora puede hacer que salten objetos extraños dentro de sus ojos, lo que puede producir daños graves en éstos. Siempre use anteojos de seguridad o protecciones para los ojos antes de hacer arrancar su cultivadora o mientras esté labrando con ella.



Utilice las protecciones auditivas para evitar daño a la audiencia.

Recomendamos el uso de la máscara de seguridad de visión amplia, para uso sobre los espejuelos o anteojos de seguridad estándar.

COMO USAR SU CULTIVADORA

Sepa cómo operar todos los controles antes de agregar combustible y aceite o antes de tratar de hacer arrancar el motor.

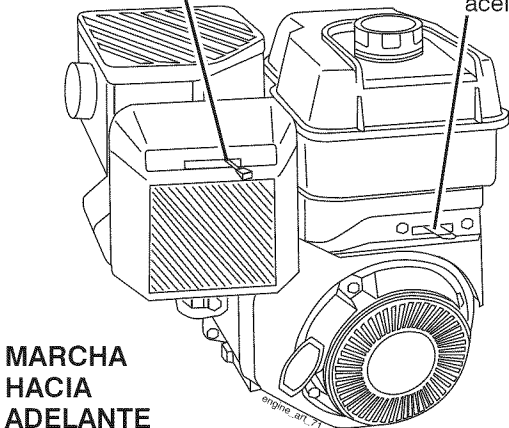
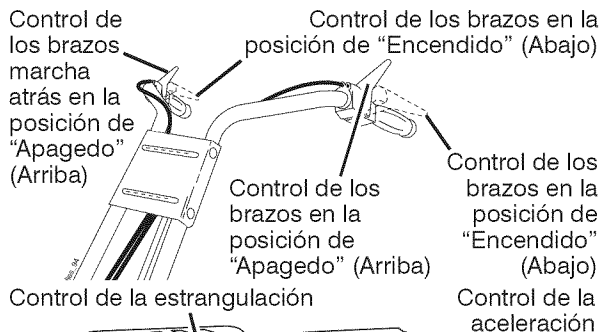
PARADA

BRAZOS

- Suelte el control del movimiento hacia adelante de los brazos para parar el movimiento.
- Suelte el control del movimiento hacia atrás de los brazos para parar el movimiento.

MOTOR

- Mueva el control de la aceleración a la posición de "PARADA" (STOP).
- Nunca use la estrangulación para parar el motor.



MARCHA HACIA ADELANTE

- Apriete el control de los brazos de marcha hacia adelante contra el mango.

MARCHA ATRÁS

- Con el control de los brazos de marcha hacia adelante en la posición de "APAGADO" (OFF) (arriba), tire hacia atrás y sujete el control de los brazos marcha atrás.

LABRADO

La velocidad y la profundidad del labrado son reguladas por medio de la posición de la estaca de profundidad y por la altura de la rueda. La estaca de profundidad siempre tiene que estar por debajo de las ruedas para excavar. Sirve de freno para retardar el movimiento de marcha hacia adelante de la cultivadora, para permitir que los brazos penetren en el suelo. También, mientras más se baje la estaca de profundidad dentro del suelo, más profunda será la excavación realizada con los brazos.

ESTACA DE PROFUNDIDAD

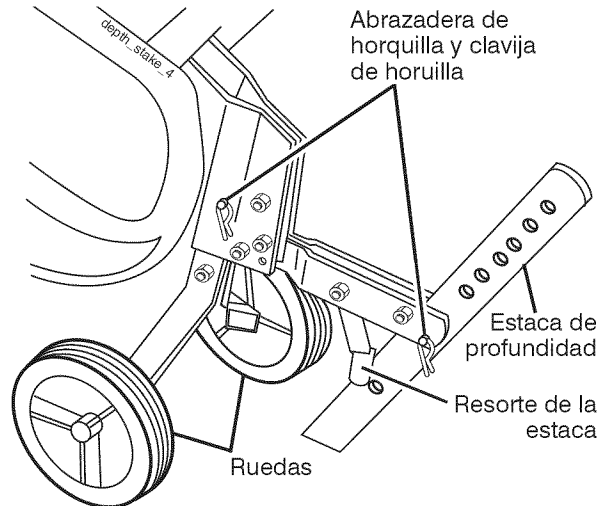
Ajuste la estaca de profundidad removiendo la abrazadera de horquilla y la clavija de horquilla. Cambie la estaca de profundidad a la posición deseada. Vuelva a colocar la clavija de horquilla y la abrazadera de horquilla.

- Para el labrado normal, ajuste la estaca de profundidad en el segundo o tercer agujero a partir de la parte superior.

RUEDAS

Ajuste las ruedas removiendo la abrazadera de horquilla y la clavija de horquilla. Cambie la posición de la rueda. Vuelva a colocar la abrazadera de horquilla y la clavija de horquilla.

- Para el labrado normal, ajuste las ruedas en el segundo o tercer agujero a partir de la parte superior.



PARA EL TRANSPORTE

PRECAUCIÓN: Antes de levantarla o transportarla, permita que el motor de la cultivadora y el silenciador se enfríen. Desconecte el alambre de la bujía. Drene la gasolina del estanque de combustible.

EN EL JARDÍN

1. Incline la estaca de profundidad hacia adelante, hasta que quede sujeta con el resorte de la estaca.
2. Empuje los mangos de la cultivadora hacia abajo, levantando los brazos por encima del suelo.
3. Tire o empuje la cultivadora a la ubicación deseada.

EN LA CIUDAD

1. Desconecte el alambre de la bujía.
2. Drene el estanque de combustible.
3. Transpórtela en la posición derecha hacia arriba para evitar la fuga del aceite.

ANTES DE HACER

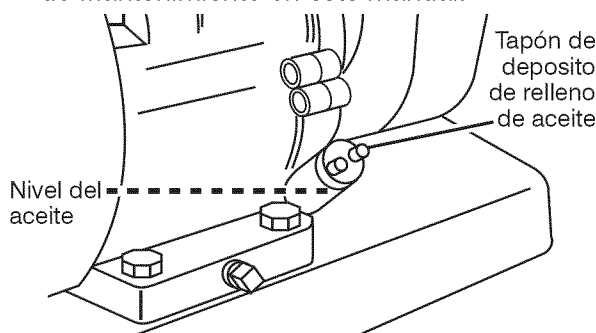
ARRANCAR EL MOTOR

IMPORTANTE: Tenga mucho cuidado de no permitir que entre mugre al motor cuando revise o anada aceite combustible. Use aceite y combustible limpios y guárdelos en envases

aprobados, limpios y con tapa. Use embudos para relleno limpios.

RELLENO DEL ACEITE DEL MOTOR

1. Remueva la etiqueta del motor.
 2. Con el motor nivelado, remueva el tapón del depósito de relleno del aceite del motor.
 3. Llène el motor con aceite hasta el punto de derramarse. Para verificar la capacidad aproximada vea "ESPECIFICACIONES DEL PRODUCTO" de este manual.
 4. Inclíne la cultivadora hacia atrás en sus ruedas y luego vuelva a nivelarla.
 5. Con el motor nivelado, vuelva a llenarlo hasta el punto de derramarse, si es necesario. Vuelva a colocar el tapón del depósito de relleno de aceite.
- Para la operación en clima frío, debe cambiarse el aceite para facilitar el arranque (vea la "TABLA DE VISCOSIDAD DEL ACEITE" en la sección de Mantenimiento en este manual).
 - Para cambiar el aceite del motor, vea la sección de Mantenimiento en este manual.



AGREGUE GASOLINA

- Llène el estanque de combustible. Llène hasta la parte inferior del cuello de relleno del estanque de gasolina. No lo llene demasiado. Use gasolina regular, sin plomo, nueva y limpia con el mínimo de 87 octanos. (El uso de gasolina con plomo aumentará los depósitos de óxido de plomo y carbono y se reducirá la duración de la válvula). No mezcle el aceite con la gasolina. Para asegurar que la gasolina utilizada sea fresca compre estanques los cuales puedan ser utilizados durante los primeros 30 días.

PRECAUCIÓN: Llène el estanque de combustible hasta dentro de 1/2 pulgada de la parte superior para evitar los derrames y para permitir que se expanda el combustible. Si por casualidad se derrama la gasolina, aleje la máquina del área del derrame. Evite crear cualquiera fuente de ignición hasta que se hayan desaparecido los gases de la gasolina.

Limpie el aceite o el combustible derramado. No almacene, derrame o use gasolina cerca de una llama expuesta.

IMPORTANTE: Cuando se opere en temperaturas por debajo de 32°F (0°C) use gasolina de invierno limpia y nueva para asegurar un buen arranque en clima frío.

PRECAUCIÓN: Combustibles mezclados con alcohol (conocidos como gasohol, o el uso de etanol o metanol) pueden atraer la humedad, la que conduce a la separación y formación de ácidos durante el almacenamiento. La gasolina ácida puede dañar el sistema del combustible de un motor durante el almacenamiento. Para evitar los problemas con el motor, se debe vaciar

el sistema de combustible antes de guardarlo por un período de 30 días o más. Vacíe el estanque de combustible, haga arrancar el motor y hágalo funcionar hasta que las líneas del combustible y el carburador queden vacíos. La próxima temporada use combustible nuevo. Vea las Instrucciones para el Almacenamiento para más información. Nunca use productos de limpieza para el motor o para el carburador en el estanque del combustible pues se pueden producir daños permanentes.

PARA HACER ARRANCAR EL MOTOR

PRECAUCIÓN: Mantenga la barra de control de la impulsión en la posición "DESENGANCHADO" cuando haga arrancar el motor.

Cuando intente arrancar el motor por la primera vez o si al motor se le ha acabado la gasolina, será necesario que estire varias veces del mango arrancador de culateo para desplazar la gasolina del estanque al motor.

1. Asegúrese que el alambre de la bujía esté conectado en forma adecuada.
2. Ponga el control de la aceleración en la posición de "RÁPIDO" (FAST).
3. Con el motor completamente en la posición de estrangulación "CHOKE". Agarre el mango del arrancador de culateo con una mano y el mango de la cultivadora con la otra mano. Tire el cordón hacia afuera, lentamente, hasta que el motor llegue al comienzo del ciclo de la compresión (el cordón se sentirá un poco más duro en este momento).
4. Tire el mango del arrancador de culateo rápidamente. No permita que el mango del arrancador se devuelva abruptamente en contra del arrancador. Vuelva a repetir en la posición de semiestrangulación si lo es necesario.

AVISO: Si los fuegos del motor se encienden pero no arranca, mueva el control de la estrangulación a la posición de semiestrangulación. Tire del mando arrancador de culateo hasta que el motor arranque.

5. Cuando arranque el motor, lentamente, mueva el control de la estrangulación a la posición de "FUNCIONAMIENTO" (RUN) a medida que se calienta el motor.

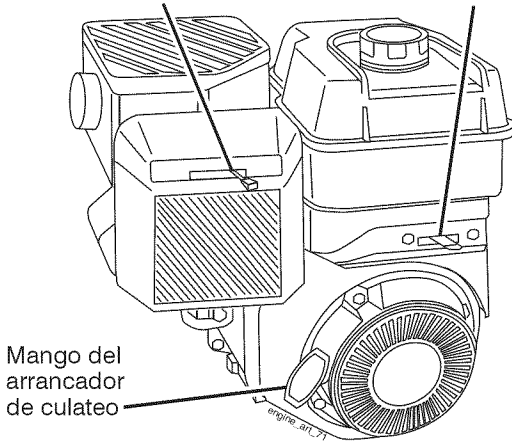
AVISO: Un motor caliente requiere menos estrangulación para empezar.

6. Mueva el control de la aceleración a la posición de funcionamiento deseada.
7. Permita que se caliente el motor por unos cuantos minutos antes de enganchar los brazos.

AVISO: A mucha altura (sobre 3000 pies) o en climas fríos (debajo de 32° F [0° C]) puede que la mezcla del combustible del carburador necesite ajuste, para obtener el mejor resultado del motor. Vea "PARA AJUSTAR EL CARBURADOR" en la sección de Servicio y Ajustes de este manual.

AVISO: Si el motor no arranca, vea la guía de identificación de problemas.

Control de la estrangulación Control de la aceleración



RODAJE DE SU CULTIVADORA

Use su(s) correa(s), las poleas y el control de los brazos antes de empezar a labrar.

- Haga arrancar el motor, saque los brazos fuera del suelo presionando los mangos hacia abajo y enganche el control de los brazos para hacer arrancar la rotación de los brazos. Permita que los brazos roten por cinco minutos.
- Revise la operación de los brazos y ajústelos, si es necesario. Vea "REVISIÓN DE LA OPERACIÓN DE LOS BRAZOS" en la sección de Servicio y Ajustes de este manual.

CONSEJOS PARA LABRAR

⚠PRECAUCIÓN: Antes de acostumbrarse a manejar su cultivadora, empiece el uso de ésta en el terreno con la aceleración en la posición de "lento" (SLOW).

Para ayudarle a la cultivadora a moverse hacia adelante, levante los mangos un poco (levantando en esta forma la estaca de profundidad fuera del suelo). Para hacer que la cultivadora ande más lento presione los mangos hacia abajo.

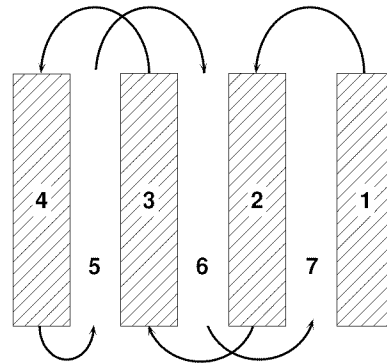
Si está forzándola o si la cultivadora está vibrando, quiere decir que las ruedas y la estaca de profundidad no están ajustadas en forma adecuada para el terreno que se está labrando. El ajuste adecuado de las ruedas y de la estaca de profundidad se logra al probarlas en acción y depende de las condiciones del suelo. (Mientras más duro o más mojado esté el suelo, menor es la velocidad necesaria del motor y de los brazos. La cultivadora va a correr y saltar sobre el terreno si se usa en estas malas condiciones a una velocidad rápida.)

Si la cultivadora está bien ajustada, excavará con poco esfuerzo por parte del operador.

- El labrar quiere decir el excavar, dar vuelta y romper el suelo duro antes de plantar. El suelo suelto y blando permite el desarrollo de las raíces. La mejor profundidad de labrar es 4" a 6". La cultivadora también puede despejar el suelo de la mala hierba indeseables. La descomposición de esta mala hierba enriquece el suelo. Dependiendo del clima (lluvia o viento), puede ser recomendable labrar el suelo a fines de la temporada de cultivo para acondicionar el suelo aún más.
- Las condiciones del suelo son importantes si se desea obtener un labrado adecuado.

Los brazos no van a penetrar fácilmente en el suelo seco y duro, lo que puede contribuir a un rebote excesivo y a dificultades en el manejo de su cultivadora. El terreno duro tiene que ser humedecido antes de labrarlo, sin embargo, si el suelo está demasiado mojado se convertirá en bolas o se amontonará durante el labrado. Espere a que el suelo esté menos mojado para poder obtener los mejores resultados. Cuando se hagan labrados en el otoño, remueva las vides y el césped alto para evitar que se envuelvan alrededor del eje de los brazos y retarden su operación para el labrado.

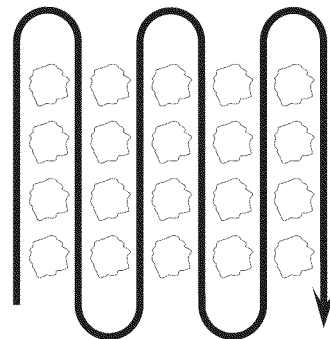
- Va a descubrir que el labrado se facilita si deja una fila sin labrar entre las pasadas. Entonces vuelva de nuevo entre las filas de cultivo. Hay dos razones para hacer esto. Primero, las vueltas amplias se pueden realizar con más facilidad que las cerradas. Segundo, la cultivadora no estará empujándose a sí misma y a usted hacia la próxima hilera.
- Ajuste la estaca de profundidad y la altura de la rueda para labrado poco profundo cuando esté trabajando en suelo o terreno herboso demasiado duro. Luego atravesese los primeros cortes a la profundidad normal.



CULTIVO

El cultivo quiere decir la destrucción de la mala hierba entre las filas para evitar que éstas le roben la nutrición y la humedad a las plantas. Al mismo tiempo, si se rompe la capa superior de la costra del suelo, éste puede retener la humedad. La mejor profundidad de excavación es de 1" a 3".

- Probablemente no va a necesitar usar la estaca de profundidad. Empiece por inclinar la estaca de profundidad hacia adelante, hasta que quede sujeta en el resorte de la estaca.
- Cultive hacia arriba y hacia abajo las filas a una velocidad que le permita a los brazos sacar las raíces de la mala hierba y dejar el suelo en condiciones ásperas, para impedir el desarrollo de la mala hierba y el césped.



MANTENIMIENTO

PROGRAMA DE MANTENIMIENTO					FECHAS DE SERVICIO											
	ANTES DE CADA USO	CADA 5 HORAS	CADA 25 HORAS	CADA 50 HORAS	1	2	3	4	5	6	7	8	9	10	11	12
LLENE LAS FECHAS DE MEDIDA QUE COMPLETE SU SERVICIO REGULAR																
Revisar el nivel del aceite del motor	✓	✓														
Cambiar el aceite del motor				✓ _{1,2}												
Aceitar los puntos de pivote		✓														
Inspeccionar el supresor del silenciador				✓												
Inspeccionar la rejilla de aire	✓															
Limpiar/cambiar el cartucho del filtro de aire				✓ ₂												
Limpiar las aletas del cilindro del motor				✓												
Cambiar la bujía				✓												

1- Cambiar más menudo cuando se opere bajo carga pesada o en ambientes con altas temperaturas.
 2- Dar servicio más a menudo cuando se opere en condiciones sucias o polvorosas

RECOMENDACIONES GENERALES

La garantía de esta cultivadora no cubre los artículos que han estado sujetos al abuso o a la negligencia del operador. Para recibir todo el valor de la garantía, el operador tiene que mantener la cultivadora según las instrucciones descritas en este manual.

Hay algunos ajustes que se tienen que hacer en forma periódica para poder mantener su cultivadora adecuadamente.

Todos los ajustes en la sección de Servicio y Ajustes de este manual tienen que ser revisados por lo menos una vez por cada temporada.

- Una vez al año, cambie la bujía, limpie o cambie el filtro de aire y revise si los brazos y las correas están desgastadas. Una bujía nueva y un filtro de aire limpio aseguran una mezcla de aire-combustible adecuada y le ayuda a que su motor funcione mejor y que dure más.

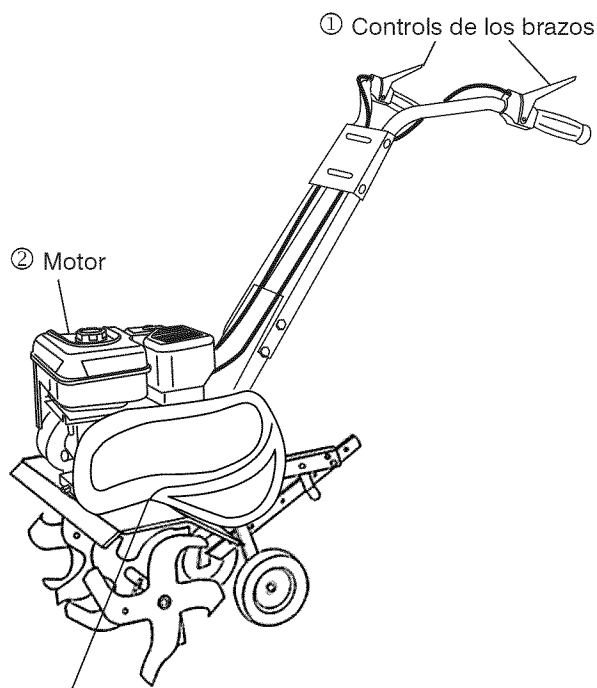
ANTES DE CADA USO

1. Revise el nivel del aceite del motor.
2. Revise la operación de los brazos.
3. Revise si hay sujetadores sueltos.

LUBRICACIÓN

Mantenga la unidad bien lubricada (vea la "TABLA DE LUBRICACIÓN").

TABLA DE LUBRICACIÓN



① Brazo de quia

① Aceite de motor SAE 30 O 10W-30

② Refiérase a la sección del motor, "MANTENIMIENTO"

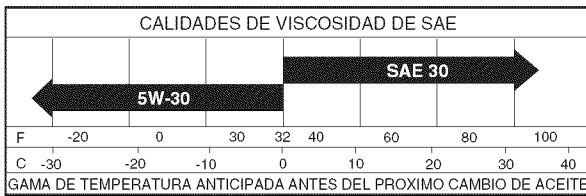
⚠PRECAUCIÓN: Desconecte el alambre de la bujía antes de dar mantenimiento (excepto por el ajuste del carburador) para evitar que el motor arranque por accidente.

¡Evite los incendios! Mantenga el motor sin césped, hojas, aceite o combustible derramado. Remueva el combustible del estanque antes de inclinar la unidad para darle mantenimiento. Limpie el césped, la mugre y la basura del área del silenciador.

No toque el silenciador caliente o las aletas del cilindro, pues el contacto puede producir quemaduras.

MOTOR LUBRICACIÓN

Use solamente aceite de detergente de alta calidad clasificado con la clasificación SG-SL de servicio API. Seleccione la calidad de viscosidad SAE según su temperatura de operación esperada.



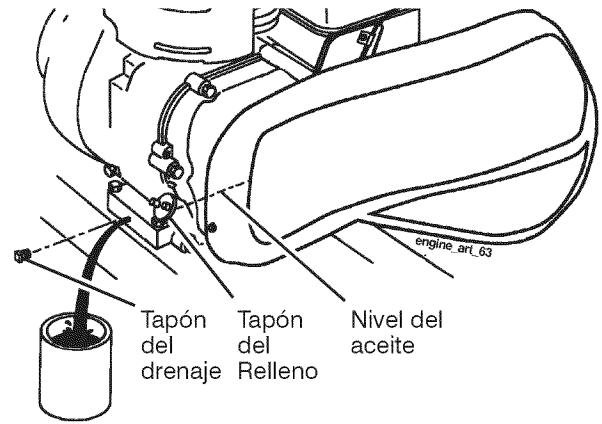
AVISO: A pesar de que los aceites de multiviscosidad (5W-30, 10W-30, etc.) mejoran el arranque en clima frío, estos aceites de multiviscosidad van a aumentar el consumo de aceite cuando se usan en temperaturas sobre 32°F (0°C). Revise el nivel del aceite del motor más a menudo, para evitar un posible daño en el motor, debido a que no tiene suficiente aceite. Cambie el aceite después de 50 horas de operación o por lo menos una vez al año si el tiller se utiliza menos 50 horas el año. Revise el nivel del aceite del cárter antes de hacer arrancar el motor y después de cada inco (5) horas de uso continuado. Agregue aceite de motor SAE 30 o su equivalente. Apriete el tapón del depósito de relleno del aceite en forma segura cada vez que revise el nivel del aceite.

PARA CAMBIAR EL ACEITE DEL MOTOR

Determine la gama de temperatura esperada antes del cambio del aceite. Todos los aceites deben cumplir con los requisitos de la clasificación de servicio API SG-SL.

- Asegúrese que la cultivadora esté en una superficie nivelada.
 - El aceite drenará más fácilmente cuando está caliente.
 - Utilice un embudo para impedir el derrame de aceite sobre la cultivadora, y recoja el aceite en un envase adecuado.
1. Remueva el tapón del drenaje.
 2. Incline la cultivadora hacia adelante para drenar el aceite.
 3. Después de que el aceite se haya drenado completamente, vuelva a colocar el tapón del drenaje del aceite y apriételo en forma segura.
 4. Remueva el tapón del depósito de relleno de aceite. Tenga cuidado de no permitir que la mugre entre al motor.

5. Vuelva a llenar el motor con aceite. Vea "RELLENO DEL MOTOR CON ACEITE" en la sección de Operación de este manual.



FILTRO DE AIRE

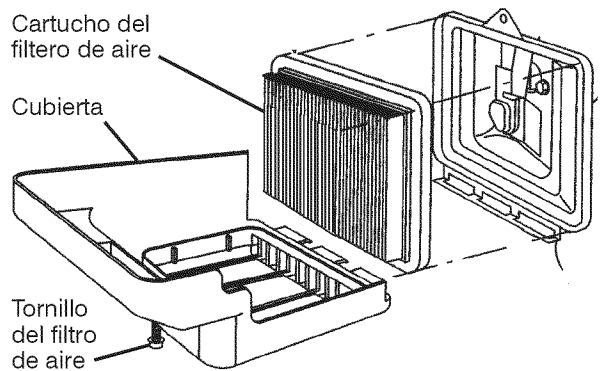
Dele servicio al cartucho del filtro de aire cada 50 horas y más a menudo si el motor se usa en condiciones muy polvorosas.

1. Suelte los tornillo del filtro de aire.
2. Remueva la cubierta del filtro de aire.
3. Cuidadosamente, remueva el cartucho del filtro de aire. Tenga cuidado. No permita que mugre o basura caigan dentro del carburador.
4. Límpielo golpeándolo suavemente en una superficie plana.

AVISO: Si el cartucho está muy sucio o dañado, reemplácelo.

5. Limpie y vuelva a colocar la cubierta. Apriete los tornillo en forma segura.

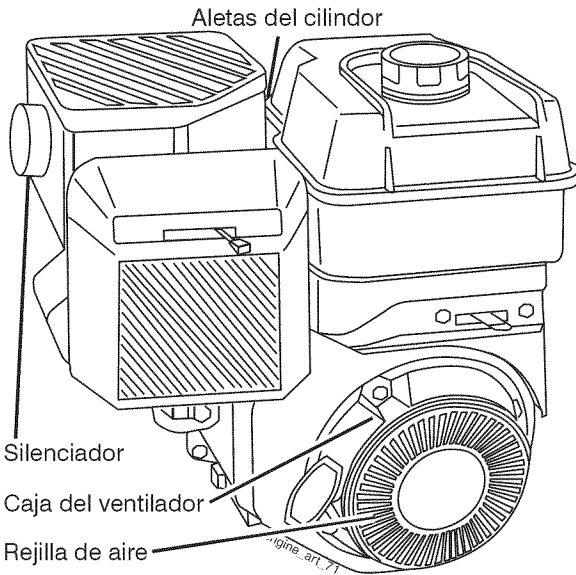
⚠PRECAUCIÓN: Los solventes de petróleo, tales como el kerosene, no deben ser utilizado para limpiar el cartucho. Pueden ocasionar el deterioro de éste. No aceite el cartucho. No use aire a presión para limpiarlo o secarlo. Cartucho



SISTEMA DE ENFRIAMIENTO

Su motor se enfría con aire. Para obtener el rendimiento del motor adecuado y larga duración mantenga su motor limpio.

- Limpie la rejilla de aire frecuentemente usando un cepillo de cerdas duras.
- Remueva la caja del ventilador y límpiela si es necesario.
- Mantenga las aletas del cilindro sin mugre o paja.



SILENCIADOR

No opere la cultivadora sin el silenciador. No manipulee el sistema de escape. Los silenciadores o los amortiguadores de chispas dañados pueden crear un peligro de incendio. Inspecciónelos periódicamente y cámbielos si es necesario. Si su motor viene equipado con un conjunto de rejilla para el amortiguador de

chispas, remuévalo cada 50 horas para limpiarlo e inspeccionarlo. Cámbielo si es necesario.

BUJÍA

Cambie las bujías al comienzo de cada temporada de cultivo, o después de 50 horas de uso, lo que suceda primero. El tipo de bujía y la abertura aparece en las "ESPECIFICACIONES DEL PRODUCTO" en la página 21 de este manual.

TRANSMISIÓN

Su transmisión está sellada y no va a necesitar lubricación.

LIMPIEZA

No limpie su cultivadora cuando el motor y la transmisión estén calientes. No recomendamos el uso de agua presurizada (manguera del jardín, etc.) para limpiar su unidad a menos que el área de la junta alrededor de la transmisión y del silenciador del motor, del filtro de aire y del carburador se cubran para protegerlos del agua. El agua en la transmisión y/o el motor acortará la vida de su cultivadora.

- Limpie todo material extraño del motor, las ruedas, el pulido, etc.
- Mantenga las superficies pulidas y las ruedas sin derrames de gasolina, aceite, etc.
- Proteja las superficies pintadas con cera tipo automotriz.

SERVICIO Y AJUSTES

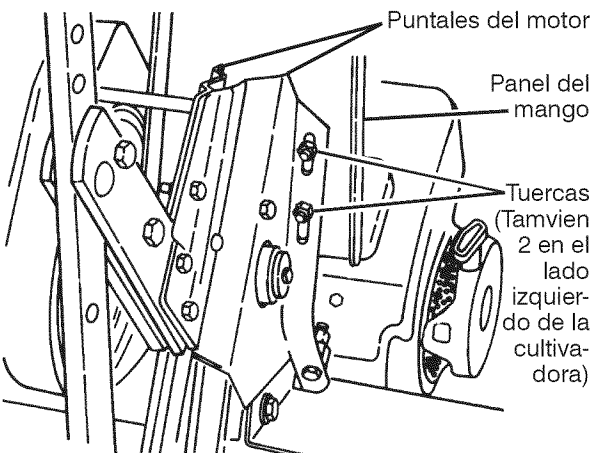
⚠ PRECAUCIÓN: Desconecte el alambre de la bujía y póngalo en donde no pueda entrar en contacto con la bujía.

CULTIVADORA

PARA AJUSTAR LA ALTURA DEL MANGO

El montaje en la fábrica se ha realizado usando la altura más baja del mango. Seleccione la altura del mango que mejor se acomode a sus condiciones de labración. La altura del mango será diferente cuando la cultivadora excave el suelo.

1. Si se desea una mayor altura para el mango, suelte las cuatro tuercas que aseguran el panel del mango en los puntales del motor.
2. Deslice el panel del mango a la ubicación deseada.
3. Apriete las cuatro tuercas en forma segura.



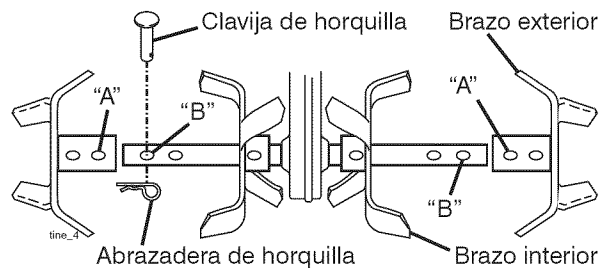
ARREGLO DE LOS BRAZOS

Sus brazos exteriores se pueden montar de varias formas distintas para acomodar sus necesidades de labración o cultivación.

⚠ PRECAUCIÓN: Los brazos son afilados. Use guantes u otra protección cuando maneje los brazos.

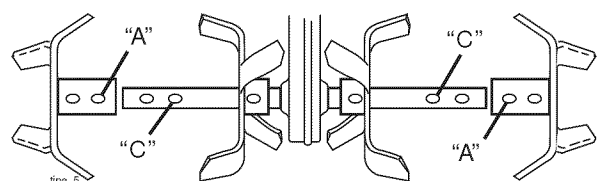
LABRADO NORMAL – PASO DE 24"

- Monte los agujeros "A" en los cubos de los brazos con los agujeros "B" en el eje de los brazos.



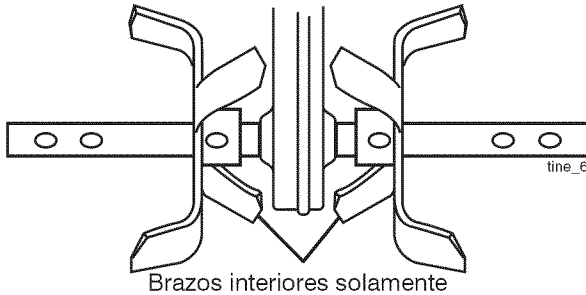
LABRADO DE ANCHO MEDIANO – PASO DE 22"

- Monte los agujeros "A" en los cubos de los brazos con los agujeros "C" en el eje de los brazos.



CULTIVO/LABRADO ESTRECHO – PASO DE 12-3/4"

- Remueva los brazos exteriores.

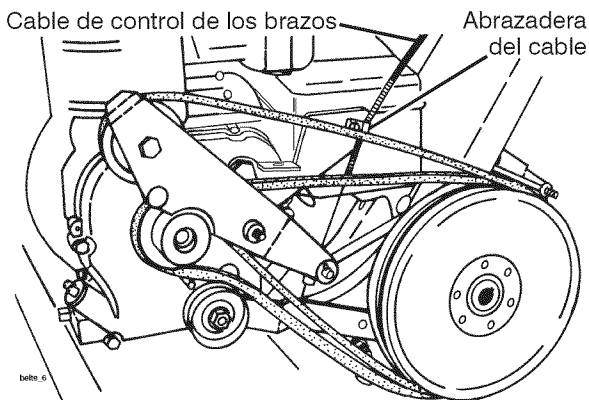
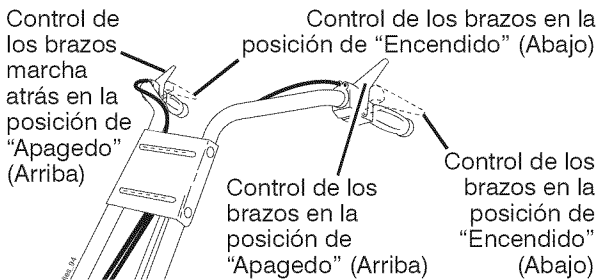


AVISO: Cuando vuelva a montar los brazos exteriores, asegúrese que el conjunto del brazo derecho (marcado con "R") y el conjunto del brazo izquierdo (marcado con "L") estén montados en el lado correcto del eje de los brazos.

REVISIÓN DE LA OPERACIÓN DE LOS BRAZOS

⚠ PRECAUCIÓN: Desconecte el alambre de la bujía para evitar que arranque mientras se esté revisando la operación de los brazos.

Para obtener una operación de los brazos adecuada, la palanca de control de los brazos de marcha hacia adelante tiene que estar en contra del cuerpo del control y se tiene que remover toda la soltura del alambre interior del cable de control cuando el control está en la posición de "APAGADO" (OFF) (arriba).



Si la palanca y el cable están sueltos, suelte la abrazadera del cable en el extremo inferior de éste. Tire el cable hacia arriba para remover la soltura, sin extender el resorte en el extremo del cable, y vuelva a apretar la abrazadera del cable.

REVISIÓN FINAL EN LA POSICIÓN DE "APAGADO" (OFF)

- Con el control de los brazos en la posición de "APAGADO" (OFF) (arriba), empuje hacia abajo el mango para levantar los brazos fuera del suelo.

- Lentamente, tire el mango del arrancador de culateo mientras se observan los brazos. Los brazos no deben rotar.
- Si los brazos rotan, el alambre interior del cable de control está demasiado apretado, extendiendo el resorte inferior y está enganchando los brazos. Suelte la abrazadera del cable y empuje el cable hacia abajo, sólo lo suficiente como para aliviar la tensión del resorte. Apriete la abrazadera del cable.
- Vuelva a revisar en la posición de "APAGADO" (OFF) y ajústelo si es necesario.

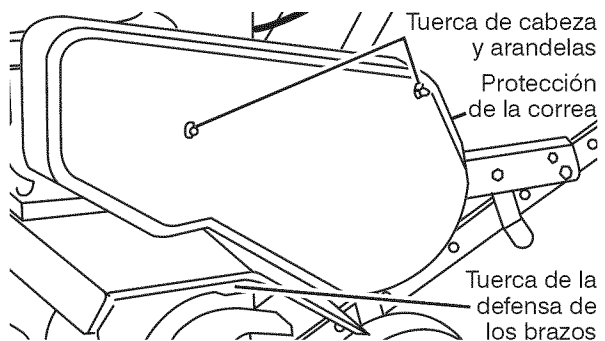
REVISIÓN FINAL EN LA POSICIÓN DE "ENCENDIDO" (ON)

- Con el control de los brazos en la posición de "ENCENDIDO" (ON) (sujeto abajo en el mango), empuje hacia abajo el mango para levantar los brazos fuera del suelo.
- Lentamente, tire el mango del arrancador de culateo mientras se observan los brazos. Los brazos deben rotar hacia adelante.
- Si los brazos no rotan, el alambre interior del cable de control está demasiado suelto. Suelte la abrazadera del cable y empuje el cable hacia arriba para remover la soltura y vuelva a apretar la abrazadera.
- Vuelva a revisar en la posición de "ENCENDIDO" (ON) y ajústelo si es necesario.

AVISO: Si se necesita ajuste en la posición de "ENCENDIDO" (ON), vuelva a revisar el ajuste de la posición de "APAGADO" (OFF) para asegurarse que los brazos no roten cuando el control está "APAGADO" (OFF) (arriba).

PARA REMOVER LA PROTECCIÓN DE LA CORREA

- Remueva las dos (2) tuercas de cabeza y las arandelas del lado de la protección de la correa.
- Suelte (no la remueva) la tuerca de la defensa de los brazos en la parte inferior de ella.
- Tire la protección de la correa hacia afuera alejándola de la unidad.
- Vuelva a colocar la protección de la correa invirtiendo los pasos del procedimiento anterior. Asegúrese que la ranura en la parte inferior de la protección de la correa esté debajo de la cabeza del perno de la defensa de los brazos y que todas las tuercas estén apretadas en forma segura.



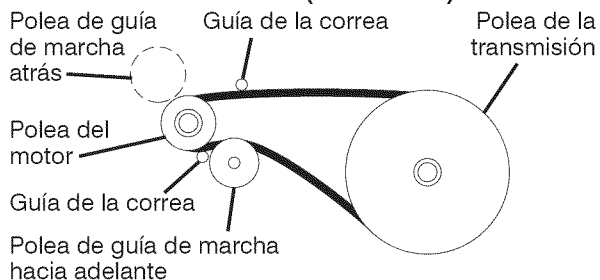
PARA CAMBIAR LAS CORREAS V

Cambie las correas V si se han estirado considerablemente o si están partidas o si los bordes están desgastados. Hay dos (2) correas V – marcha hacia adelante (interior) y marcha atrás (exterior).

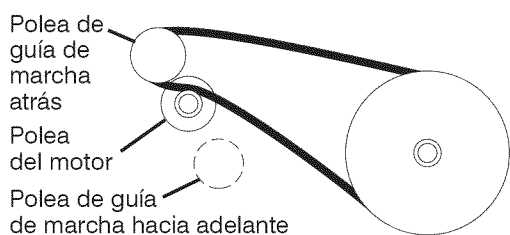
Se debe remover la protección de las correas para darles servicio. Vea "PARA REMOVER LAS PROTECCIONES DE LAS CORREAS" en esta sección de este manual.

AVISO: Observe cuidadosamente el paso de ambas correas y la ubicación de todas las guías de las correas antes de removerlas.

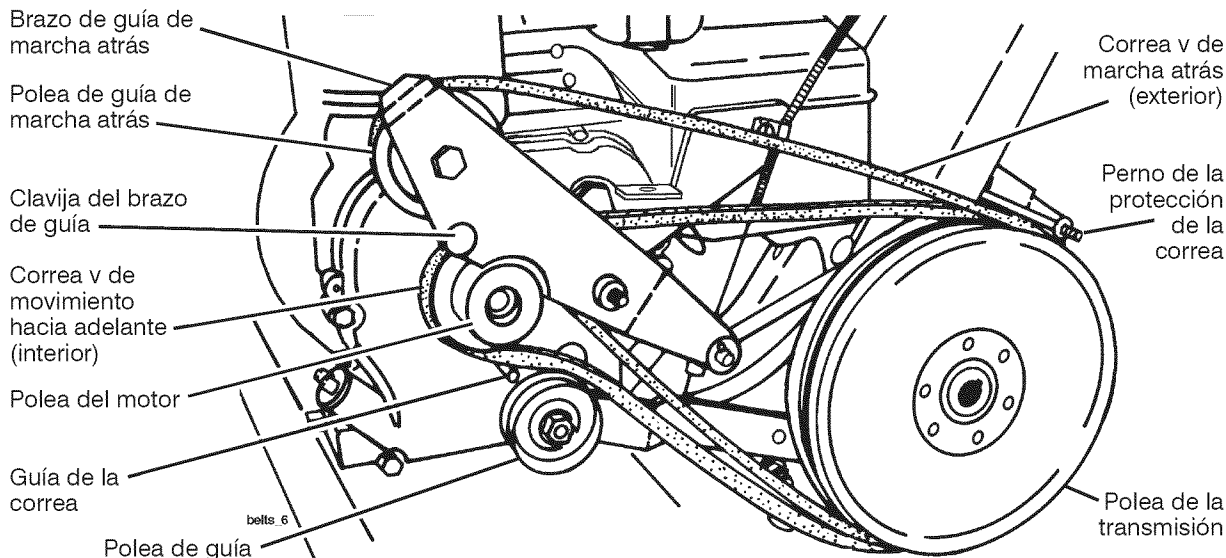
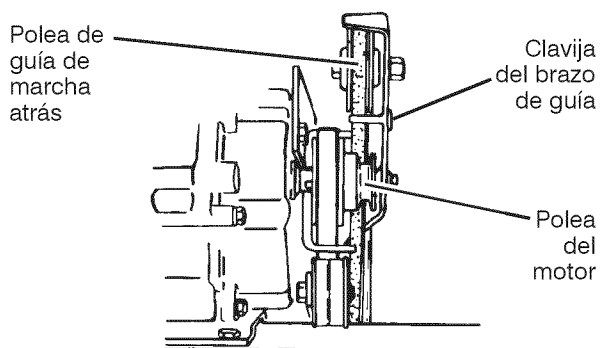
CORREA V DE MOVIMIENTO HACIA ADELANTE (INTERIOR)



CORREA V DE MARCHA ATRÁS (EXTERIOR)



REFERENCIA DE VISTA DELANTERA



REMOCIÓN DE LAS CORREAS

- Remueva la polea de guía de marcha atrás del brazo de guía.
- Remueva la correa V de marcha atrás (exterior).
- Remueva la correa V de marcha hacia adelante (interior) de la polea de la transmisión primero y luego de la polea del motor.

CAMBIO DE LA CORREA

- Instale la correa V nueva de marcha hacia adelante (interior) en la polea del motor primero, luego en la polea de la transmisión. Asegúrese que la polea esté colocada en la ranura interna de ambas poleas, dentro de todas las guías de las correas y que descance en la polea de guía.
- Antes de instalar la polea V de marcha atrás (exterior) de vuelta la correa de "dentro hacia afuera." Tuérzala de modo que la parte ancha y plana de la correa quede en la parte interior.
- Envuelva la correa V alrededor de la polea de guía de marcha atrás y vuelva a montar la guía en el brazo de guía. Apriételes en forma segura. Asegúrese que la correa quede entre la polea de guía de marcha atrás y la clavija del brazo de guía.
- Instale la correa en la ranura exterior de la polea de la transmisión. Asegúrese que la correa esté dentro de todas las guías de la correa y que descance en la ranura exterior de la polea del motor.

REVISIÓN DE LA OPERACIÓN DE LOS BRAZOS

- Vea "REVISIÓN DE LA OPERACIÓN DE LOS BRAZOS" en esta sección de este manual.

VUELVA A COLOCAR LA PROTECCIÓN DE LA CORREA

MOTOR

PARA AJUSTAR EL CARBURADOR

El carburador tiene un chorro de alta velocidad y ha sido preajustado en la fábrica y no debería necesitar ajustes.

IMPORTANTE: Nunca manipule el regulador del motor el que ha sido ajustado en la fábrica para la velocidad del motor adecuada puede ser peligroso hacer funcionar el motor a una velocidad por sobre el ajuste de la velocidad de la fábrica. Si cree que la velocidad alta regulada del motor necesita ajuste, póngase en contacto con su centro de servicio cualificado, el cual cuenta con el equipo adecuado y la experiencia para hacer los ajustes necesarios.

ALMACENAMIENTO

Inmediatamente prepare su cultivadora para el almacenamiento al final de la temporada o si la unidad no se va a usar por 30 días o más.

⚠PRECAUCIÓN: Nunca almacene la cultivadora con gasolina en el estanque dentro de un edificio en donde los gases pueden alcanzar una llama expuesta o una chispa. Permita que el motor se enfríe antes de almacenarlo en cualquier recinto privado.

CULTIVADORA

1. Limpie toda la cultivadora (vea "LIMPIEZA" en la sección de Mantenimiento en este manual).
2. Inspeccione y cambie las correas, si es necesario (vea las instrucciones para el cambio de la correa en la sección de Servicio y Ajustes de este manual).
3. Lubríquela según se muestra en la sección de Mantenimiento en este manual.
4. Asegúrese que todas las tuercas, pernos y tornillos estén apretados en forma segura. Inspeccione las partes móviles para verificar si están dañadas, rotas o desgastadas. Cámbielas si es necesario.
5. Retoque todas las superficies pintadas que estén oxidadas o picadas; use una lija suavemente antes de pintar.

MOTOR

SISTEMA DE COMBUSTIBLE

IMPORTANTE: Es importante evitar que se formen depósitos de goma en partes fundamentales del sistema de combustible tales como el carburador, el filtro del combustible, la manguera del combustible o en el estanque durante el almacenamiento. La experiencia también indica que los combustibles mezclados con alcohol (conocido como gasohol o que tienen etanol o metanol) pueden atraer humedad, lo que conduce a la separación de ácidos durante el almacenamiento. La gasolina ácida puede dañar el sistema de combustible de un motor durante el periodo de almacenamiento.

- Vaciar el depósito del carburante poniendo en marcha el motor y dejándolo funcionar hasta que el carburante termine el carburador esté vacío.
- Nunca use los productos para limpieza del carburador o del motor en el estanque de combustible pues se pueden producir daños permanentes.

• Use combustible nuevo la próxima temporada.
AVISO: El estabilizador de combustible es una alternativa aceptable para reducir a un mínimo la formación de depósitos de goma en el combustible durante el periodo de almacenamiento. Agregue estabilizador a la gasolina en el estanque de combustible o en el envase para el almacenamiento. Siempre siga la proporción de mezcla que se encuentra en el envase del estabilizador. Haga funcionar el motor por lo menos 10 minutos después de agregar el estabilizador, para permitir que éste llegue al carburador. No vaciar la gasolina del estanque de gasolina y el carburador si se está usando estabilizador de combustible.

ACEITE DEL MOTOR

Drene el aceite (con el motor caliente) y cámbielo con aceite de motor limpio. (Vea "MOTOR" en la sección de Mantenimiento de este manual.)

CILINDRO(S)

1. Remueva la bujía.
2. Vacíe una onza de aceite a través del agujero de la bujía en el cilindro.
3. Tire el mango del arrancador, lentamente, varias veces para distribuir el aceite.
4. Cambie por una bujía nueva.

OTROS

- No guarde la gasolina de una temporada a la otra.
- Cambie el envase de la gasolina si se empieza a oxidar. La oxidación y/o la mugre en su gasolina producirán problemas.
- Si es posible, guarde su unidad en un recinto cerrado y cúbrala para protegerla contra el polvo y la mugre.
- Cubra su unidad con un forro protector adecuado que no retenga la humedad. No use plástico. El plástico no puede respirar, lo que permite la formación de condensación, lo que producirá la oxidación de su unidad.

IMPORTANTE: Nunca cubra la cultivadora mientras el motor y las áreas de escape todavía están calientes.

IDENTIFICACIÓN DE PROBLEMAS:

Vea la sección apropiada en el manual a menos que esté dirigido a un centro de servicio Sears.

PROBLEMA	CAUSA	CORRECCIÓN
No arranca	<ol style="list-style-type: none"> 1. Sin combustible. 2. Motor sin la "ESTRANGU-LACION" (CHOKE) adecuada. 3. Motor ahogado. 4. Filtro de aire sucio. 5. Agua en el combustible. 6. Estanque de combustible taponado. 7. Alambre de la bujía suelto. 8. Bujía mala o abertura inadecuada. 9. Carburador desajustado. 	<ol style="list-style-type: none"> 1. Llene el estanque de combustible. 2. Vea "PARA ARRANCAR EL MOTOR" en la sección de Operación. 3. Espere varios minutos antes de tratar de arrancar. 4. Limpie o cambie el cartucho del filtro de aire. 5. Vaciar el estanque de combustible y el carburador, vuelva a llenar el estanque con gasolina nueva. 6. Remueva el estanque de combustible y límpielo. 7. Asegúrese que el alambre de la bujía esté asentado en forma adecuada en ésta. 8. Cambie la bujía o ajuste la abertura. 9. Haga los ajustes necesarios.
Difícil de arrancar 2.	<ol style="list-style-type: none"> 1. Control de la aceleración ajustado inadecuadamente. Filtro de aire sucio. 3. Bujía mala o abertura inadecuada. 4. Combustible rancio o sucio. 5. Alambre de la bujía suelto. 6. Carburador desajustado. 	<ol style="list-style-type: none"> 1. Ponga el control de la aceleración en la posición de "RÁPIDO" (FAST). 2. Limpie o cambie el cartucho del filtro de aire. 3. Cambie la bujía o ajuste la abertura. 4. Vaciar el estanque de combustible y vuelva a llenarlo con gasolina nueva. 5. Asegúrese que el alambre de la bujía esté asentado en forma adecuada en ésta. 6. Haga los ajustes necesarios.
Falta de fuerza	<ol style="list-style-type: none"> 1. El motor está sobrecargado. 2. Filtro de aire sucio. 3. Nivel de aceite bajo/aceite sucio. 4. Bujía fallada. 5. Aceite en el combustible. 6. Combustible rancio o sucio. 7. Agua en el combustible. 8. Estanque de combustible taponado. 9. Alambre de la bujía suelto. 10. Rejilla de aire del motor sucia. 11. Silenciador sucio/taponado. 12. Carburador desajustado. 13. Mala compresión. 	<ol style="list-style-type: none"> 1. Ajuste la estaca de profundidad y las ruedas para un labrado menos profundo. 2. Limpie o cambie el cartucho del filtro de aire. 3. Revise el nivel del aceite/cambie el aceite. 4. Limpie y vuelva a ajustar la abertura o cambie la bujía. 5. Vaciar y limpie el estanque de combustible y vuelva a llenarlo y limpie el carburador. 6. Vaciar el estanque de combustible y vuelva a llenarlo con gasolina nueva. 7. Vaciar el estanque de combustible y el carburador y vuelva a llenar el estanque con gasolina nueva. 8. Remueva el estanque de combustible y límpielo. 9. Conecte y apriete el alambre de la bujía. 10. Limpie la rejilla de aire del motor. 11. Limpie/cambie el silenciador. 12. Haga los ajustes necesarios. 13. Contacto con su centro de servicio cualificado.

IDENTIFICACIÓN DE PROBLEMAS:

Vea la sección apropiada en el manual a menos que esté dirigido a un centro de servicio Sears.

PROBLEMA	CAUSA	CORRECCIÓN
El motor se calienta demasiado	<ol style="list-style-type: none">1. Nivel del aceite bajo/aceite sucio.2. Rejilla de aire del motor sucia.3. Motor sucio.4. Silenciador parcialmente taponado.5. Mal ajuste del carburador.	<ol style="list-style-type: none">1. Revise el nivel del aceite/cambie el aceite.2. Limpie la rejilla de aire del motor.3. Limpie las aletas del cilindro, la rejilla de aire y el área del silenciador.4. Remueva y limpie el silenciador.5. Ajuste el carburador para una posición de mezcla más rica.
Rebote excesivo/manejo difícil	<ol style="list-style-type: none">1. El terreno está muy seco y duro.2. Las ruedas y la estaca de profundidad están ajustadas incorrectamente.	<ol style="list-style-type: none">1. Moje el suelo o espere a que existan condiciones del suelo más favorables.2. Ajuste las ruedas y la estaca de profundidad.
El suelo se hace bolas o se amontona	<ol style="list-style-type: none">1. El terreno está muy mojado.	<ol style="list-style-type: none">1. Espere a que existan condiciones del suelo más favorables.
El motor funciona pero la cultivadora no se mueve	<ol style="list-style-type: none">1. La barra de control de la impulsión no está enganchada.2. La correa V no está ajustada correctamente.3. La correa V está fuera de la(s) polea(s).	<ol style="list-style-type: none">1. Enganche el control de la impulsión.2. Inspeccione/ajuste la correa V.3. Inspeccione la correa V.
El motor funciona pero se esfuerza cuando se labra	<ol style="list-style-type: none">1. Se está labrando muy profundamente.2. El control de la aceleración no está ajustado en forma adecuada.3. El carburador está desajustado.	<ol style="list-style-type: none">1. Ajuste la estaca de profundidad para un labrado menos profundo.2. Revise el ajuste del control de la aceleración.3. Haga los ajustes necesarios.

NEED MORE HELP?

You'll find the answer and more on managemyhome.com – for free!

- Find this and all your other product manuals online.
- Get answers from our team of home experts.
- Get a personalized maintenance plan for your home.
- Find information and tools to help with home projects.

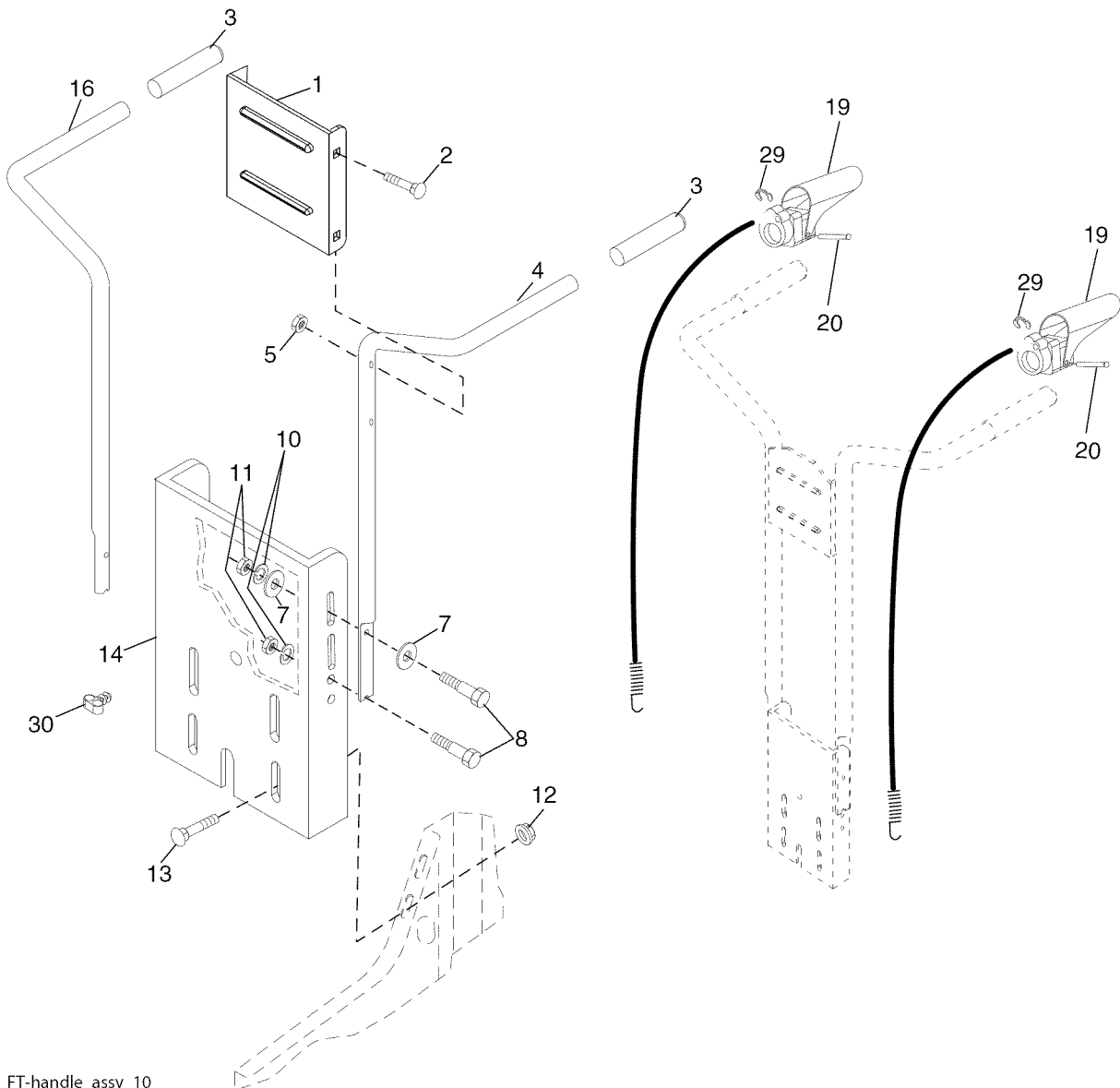
manage my home

brought to you by Sears

REPAIR PARTS

CRAFTSMAN TILLER - - MODEL NUMBER 917.986941

HANDLES



FT-handle_assy_10

KEY PART NO. NO.

DESCRIPTION

1	137176X615	Panel, Control
2	72140512	Bolt, Carriage 5/16-18 x 1-1/2
3	165787	Grip, Handle
4	166376X479	Handle, LH, Double Bend
5	751153	Nut, Crownlock 5/16-18
7	19121414	Washer 3/8 x 7/8 x 14 Gauge
8	74760520	Bolt, Hex Head 5/16-18 x 1-1/4
10	10040500	Washer, Lock 5/16
11	73220500	Nut, Hex, Flanged 5/16-18
12	98000129	Nut, Flanged

KEY PART NO. NO.

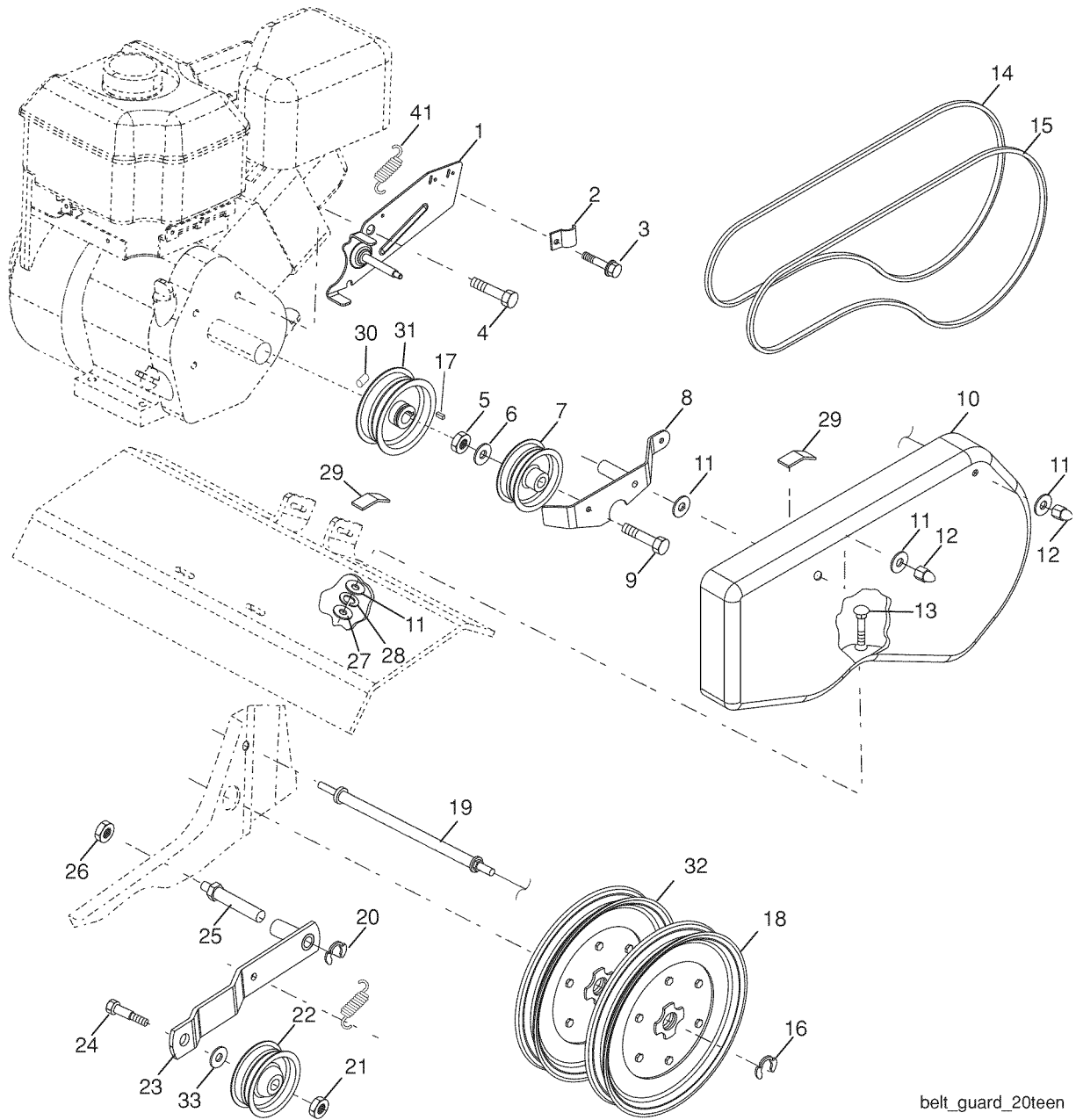
DESCRIPTION

13	180847	Bolt, Carriage 5/16-18 x 3/4
14	9209RX615	Assembly, Panel
16	166381X479	Handle, RH, Double Bend
19	188562	Lever, Control, Tine
20	188555	Pin, Pivot
29	12000059	Retainer, Ring
30	181580	Routing Clip

NOTE: All component dimensions given in U.S.inches.
1 inch = 25.4 mm

CRAFTSMAN TILLER - - MODEL NUMBER 917.986941

BELT GUARD AND PULLEY ASSEMBLY



KEY PART NO. NO.

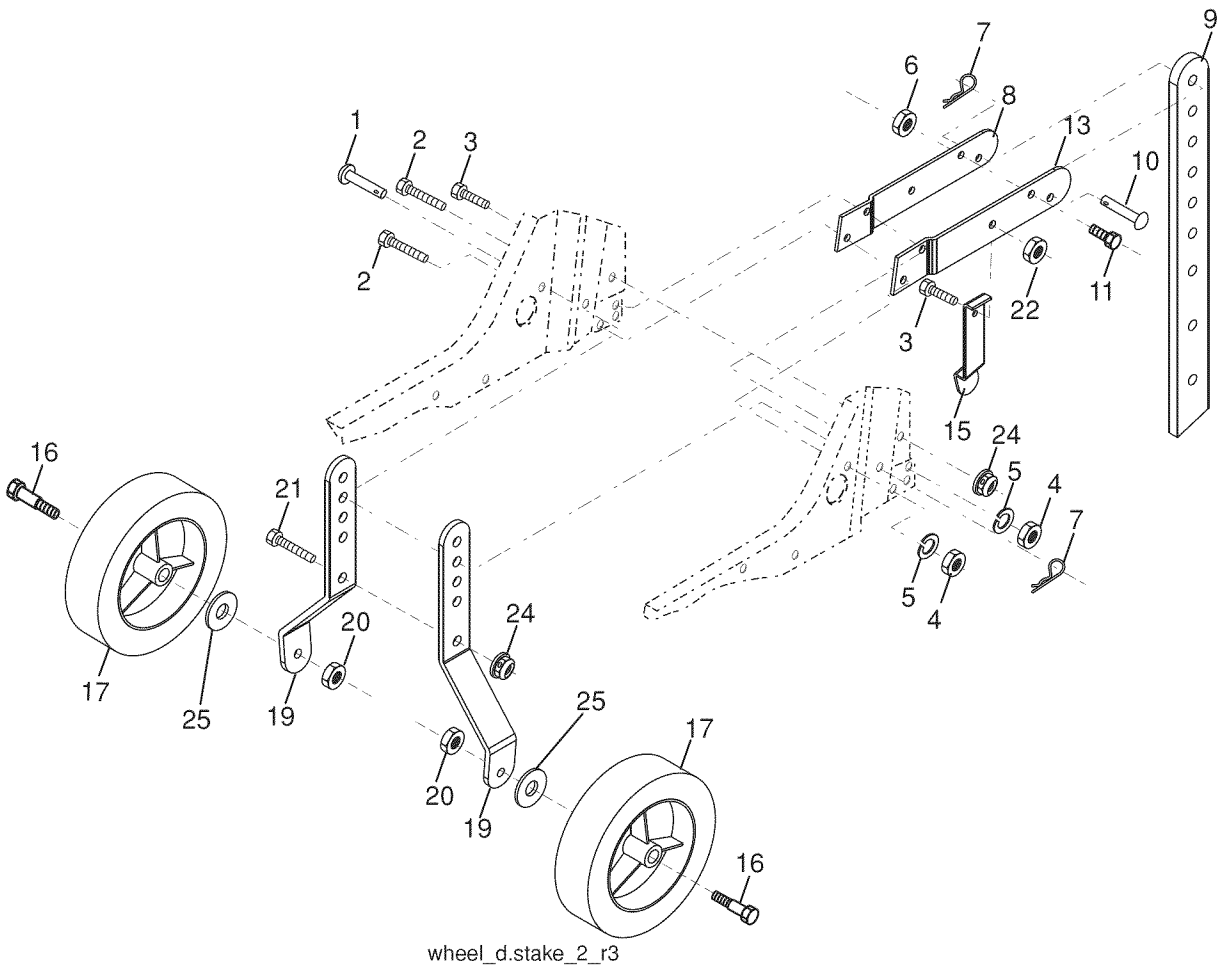
KEY PART NO.	NO.	DESCRIPTION
1	439158X479	Bracket Assembly, Belt Guard
2	9484R	Clip, Cable
3	150050	Screw #10-24 x 1/2
4	74610812	Bolt, Hex Head 1/2-20 x 3/4
5	751153	Nut, Lock 3/8-16
6	437259	Bushing
7	584911201	Pulley, Idler, Reverse
8	159238X479	Reverse Idler Arm Assembly
9	74780536	Screw, Hex Cap Head 3/8-16 x 2
10	194630X615	Guard, Belt
11	19091016	Washer 9/32 x 5/8 x 16 Gauge
12	104213X	Nut, Cap 1/4- 20
13	72140406	Bolt, Carriage 1/4-20 x 3/4
14	133035	V-Belt (Forward Motion)
15	2614J	V-Belt (Reverse)
16	12000028	Ring, Retainer
17	2649M	Key, Square
18	151236	Sheave, Transmission "Flat"
19	188502	Bolt, Belt Guard

KEY PART NO. NO.

KEY PART NO.	NO.	DESCRIPTION
20	12000036	Ring, Klip
21	73350500	Nut, Hex, Jam 3/8-16
22	180522	Pulley, Idler
23	58053002	Arm, Idler
24	74780524	Bolt, Hex Head 3/8-16 x 1-1/4
25	106968X	Shaft, Idler Arm
26	751153	Nut, Hex, Jam 5/16-18
27	73220400	Nut, Hex 1/4-20
28	10040400	Washer, Lock 1/4
29	109227X	Pad, Idler
30	23200404	Screw, Set, Socket, Headless C.P. 1/4-20 x 1/4
31	101189L	Sheave, Engine
32	151223	Sheave, Transmission
33	155415	Washer
41	180307	Spring Extension

NOTE: All component dimensions given in U.S.inches.
1 inch = 25.4 mm

CRAFTSMAN TILLER - - MODEL NUMBER 917.986941
WHEEL AND DEPTH STAKE ASSEMBLY

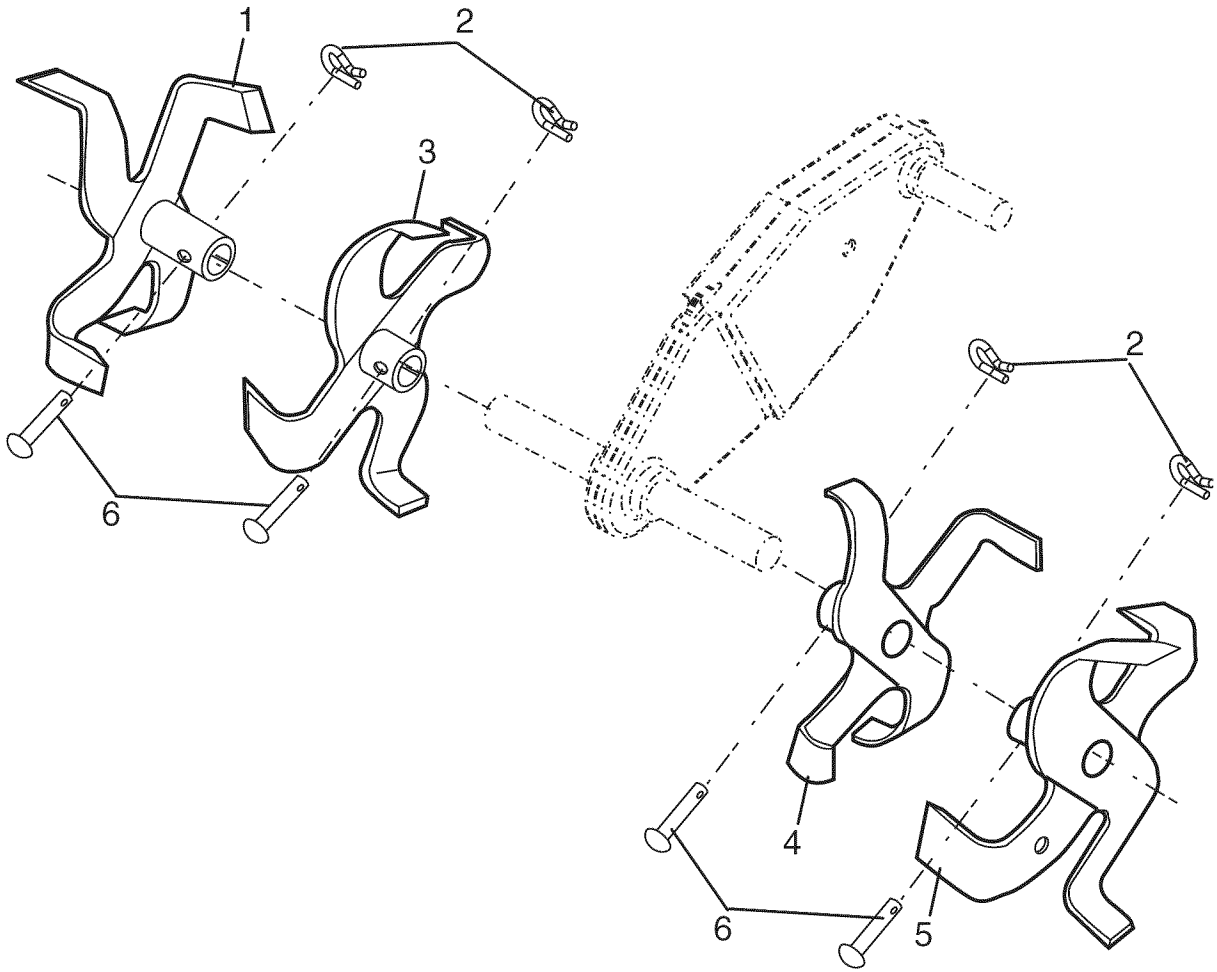


KEY PART NO.	NO.	DESCRIPTION
1	9194R	Pin, Clevis
2	74760520	Bolt, Hex Head 5/16-18 x 1-1/4
3	74780512	Bolt, Hex Head 5/16-18 x 3/4
4	73220500	Nut, Hex
5	10040500	Washer, Lock 5/16
6	73800600	Locknut, Hex, with Washer Insert 3/8-16
7	4921H	Clip, Hairpin
8	1952JX479	Support, Depth Stake, R.H.
9	122233X479	Stake, Depth
10	4929H	Pin, Clevis
11	74780628	Bolt, Hex Head 3/8-16 x 1-3/4
13	1951JX479	Support, Depth Stake, L.H.

KEY PART NO.	NO.	DESCRIPTION
15	5388JX004	Spring, Stake
16	121117X	Bolt, Shoulder
17	193851X427	Wheel
19	9190RX479	Bracket, Wheel
20	73680600	Nut, Crownlock 3/8-16
21	74760516	Bolt, Hex Head 5/16-18 x 1
22	73800500	Locknut, Hex, with Washer Insert 5/16-18
24	73970500	Locknut, Hex 5/16-18
25	19171416	Washer 17/32 x 7/8 x 16 Gauge

NOTE: All component dimensions given in U.S.inches.
 1 inch = 25.4 mm

CRAFTSMAN TILLER - - MODEL NUMBER 917.986941
TINE ASSEMBLY

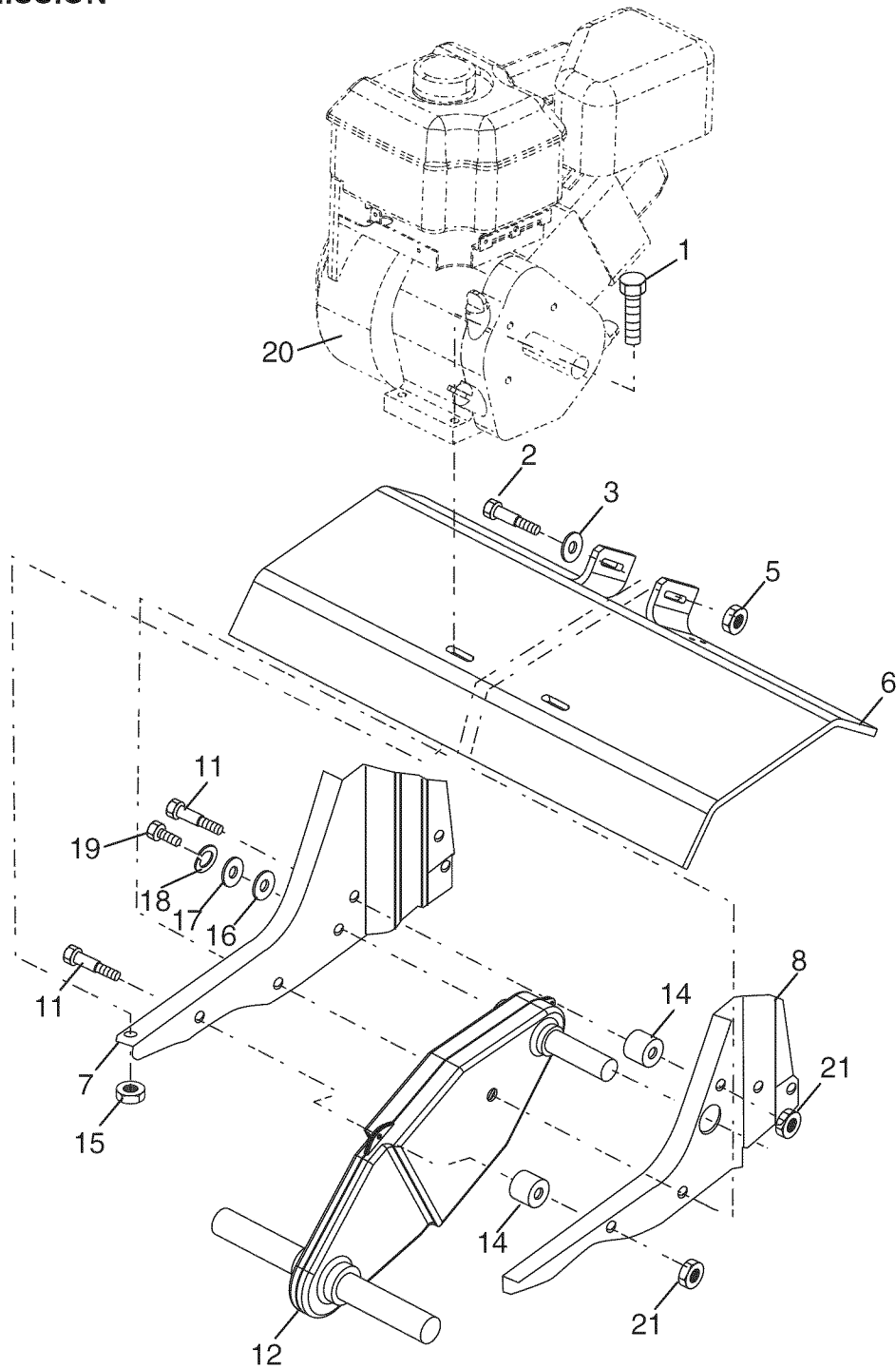


tine_ipb_3

KEY PART NO.	NO.	DESCRIPTION
1	584971702	Tine, Outer, R.H.
2	3146R	Retainer, Spring, Zinc Plated
3	584971502	Tine, Inner, R.H.
4	584971402	Tine, Inner, L.H.
5	584971602	Tine, Outer, L.H.
6	4929H	Pin, Clevis

NOTE: All component dimensions given in U.S.inches.
 1 inch = 25.4 mm

**CRAFTSMAN TILLER - - MODEL NUMBER 917.986941
TRANSMISSION**



**KEY PART
NO. NO.**

KEY PART NO.	NO.	DESCRIPTION
1	74760524	Bolt, Hex Head, Grade 2 5/16-18 x 1-1/2
2	74780652	Bolt, Hex Head 3/8-16 x 3-1/4
3	19131311	Washer 13/32 x 13/16 x 11
5	73900600	Locknut, Hex, with Washer Insert 3/8-16
6	9056RX615	Shield, Tine
7	188195X479	Bracket, Engine, R.H.
8	165834X479	Bracket, Engine, L.H.
11	187912	Bolt, Shoulder 5/16-18 UNC x 2-1/2
12	151222	Transmission
14	446548	Spacer, Split
15	73970500	Locknut, Hex, Flanged 5/16-18 UNC

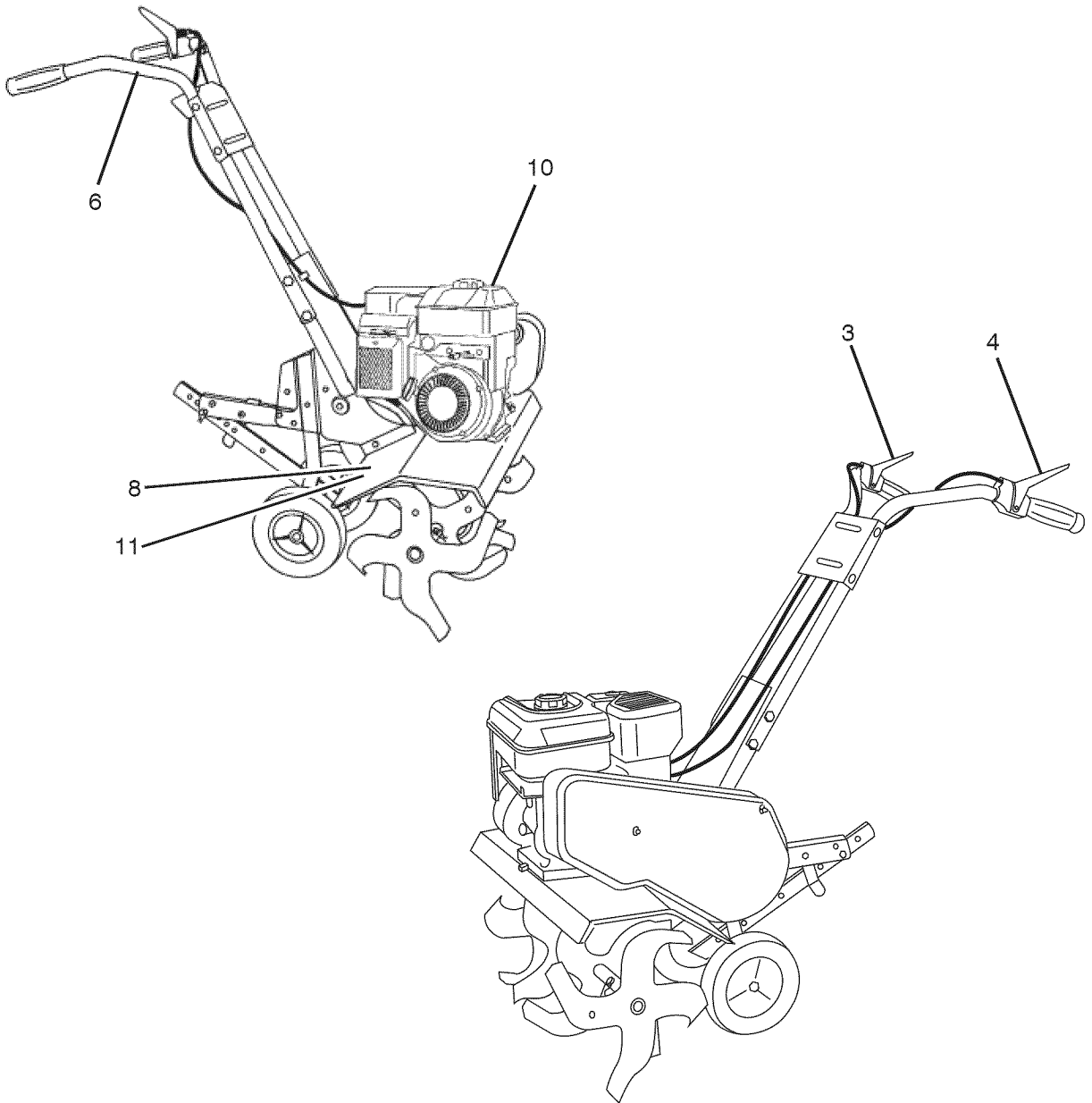
**KEY PART
NO. NO.**

KEY PART NO.	NO.	DESCRIPTION
16	19091412	Washer 9/32 x 7/8 x 12 Gauge
17	19092016	Washer 9/32 x 1-1/4 x 16 Gauge
18	10040400	Washer, Lock 1/4
19	74610412	Bolt, Hex Head, Grade 5 1/4-28 x 3/4
20	---	Engine, Briggs & Stratton, Model Number 12T402-1613-F8 (See Breakdown)
21	751153	Nut, Hex 5/16-18

NOTE: All component dimensions given in U.S.inches.
1 inch = 25.4 mm

CRAFTSMAN TILLER - - MODEL NUMBER 917.986941

DECALS



KEY PART NO.	PART NO.	DESCRIPTION
3	158701	Decal, Reverse
4	158700	Decal, Forward
6	141907	Decal, Hand Placement
8	162215	Decal, Tine Shield Warning
10	423830	Decal, Ethanol
11	141906	Decal, Warning, Rotating Tines
--	586058296	Manual, Owner's (English/Spanish)

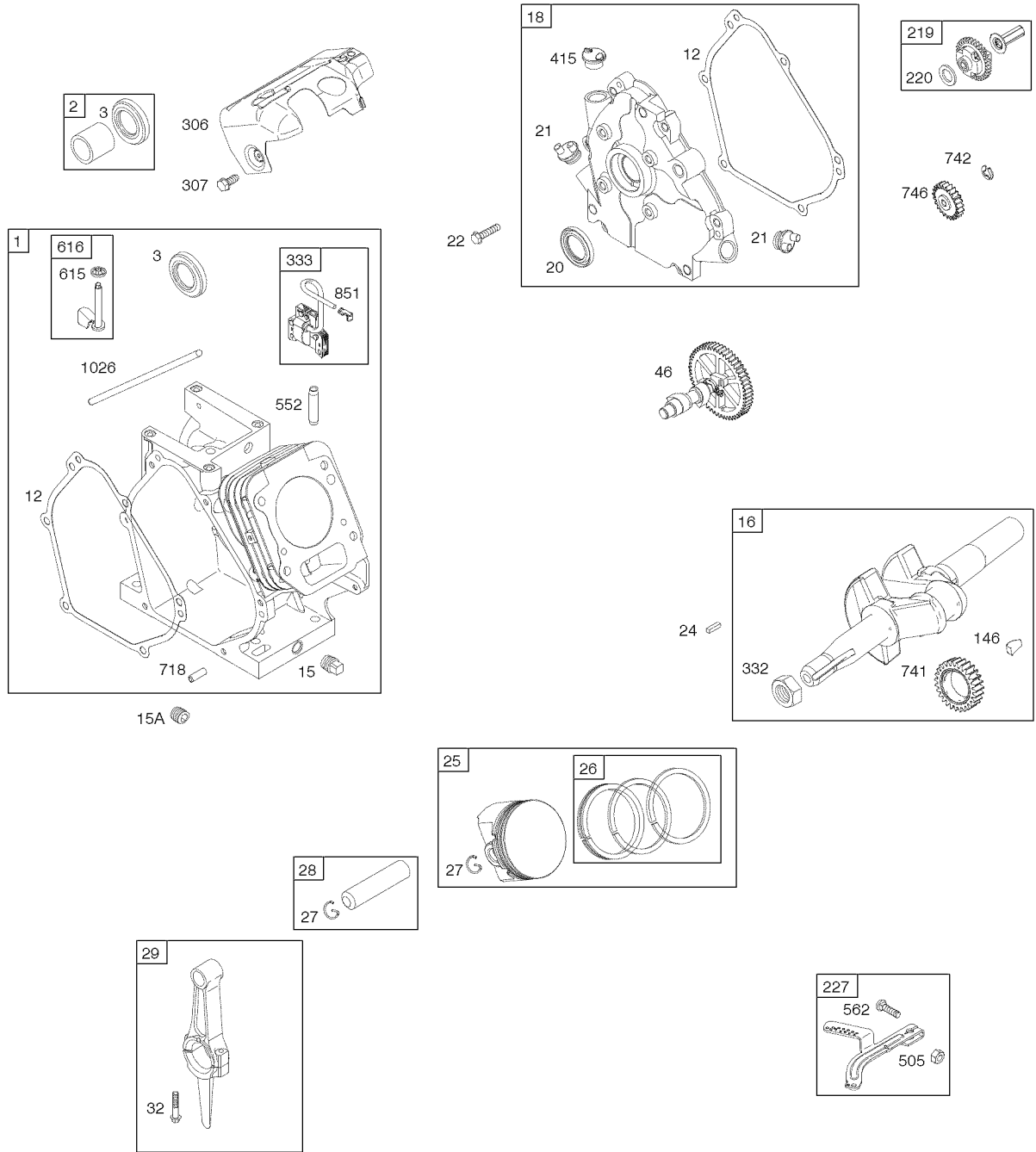
CRAFTSMAN TILLER - - MODEL NUMBER 917.986941
ENGINE, BRIGGS & STRATTON -- MODEL NUMBER 12T402, TYPE NO. 1613-F8

48 SHORT BLOCK

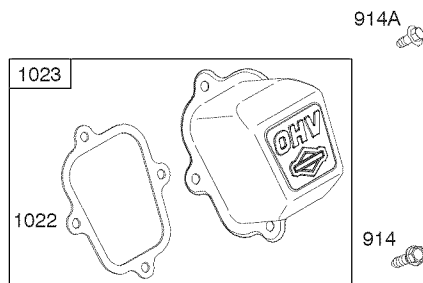
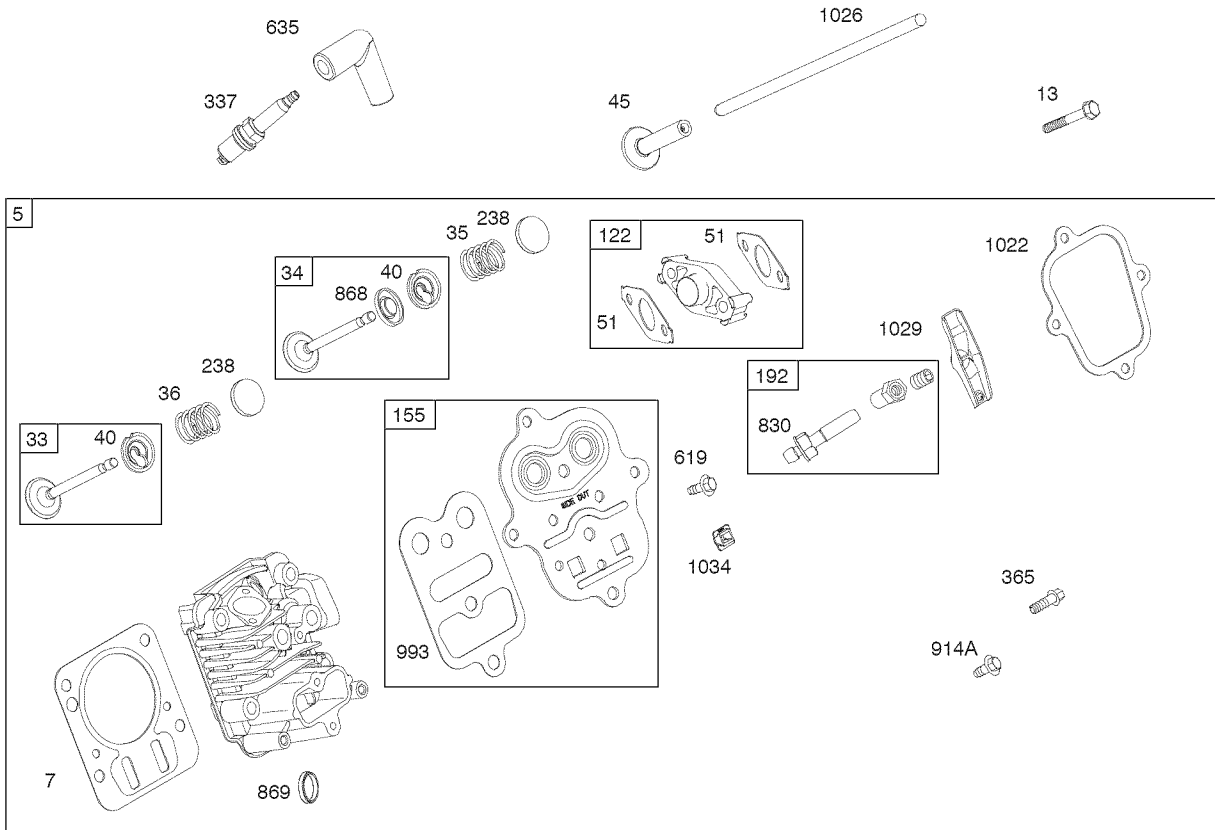
1058 OPERATOR'S MANUAL

1329 REPLACEMENT ENGINE

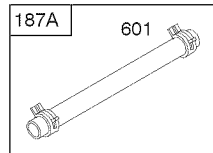
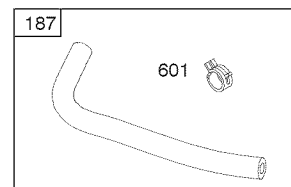
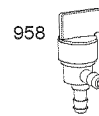
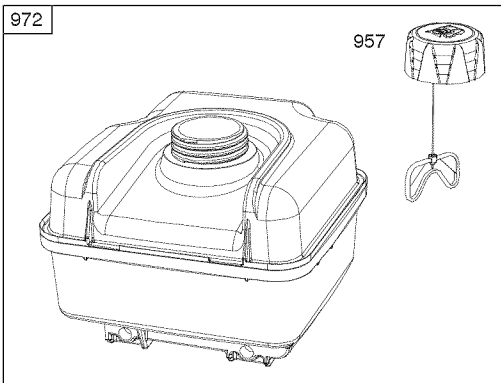
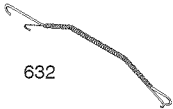
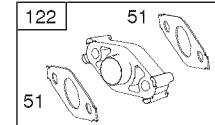
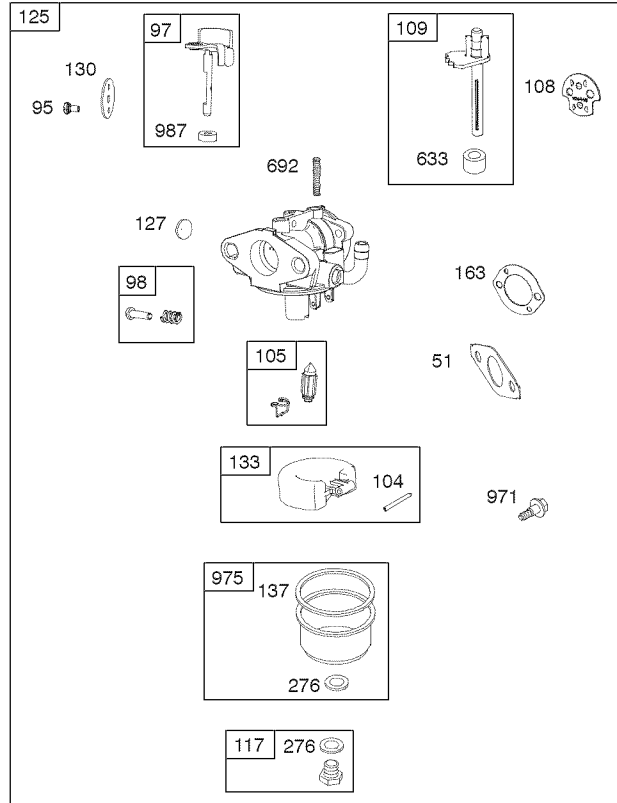
1330 REPAIR MANUAL



CRAFTSMAN TILLER - - MODEL NUMBER 917.986941
ENGINE, BRIGGS & STRATTON -- MODEL NUMBER 12T402, TYPE NO. 1613-F8

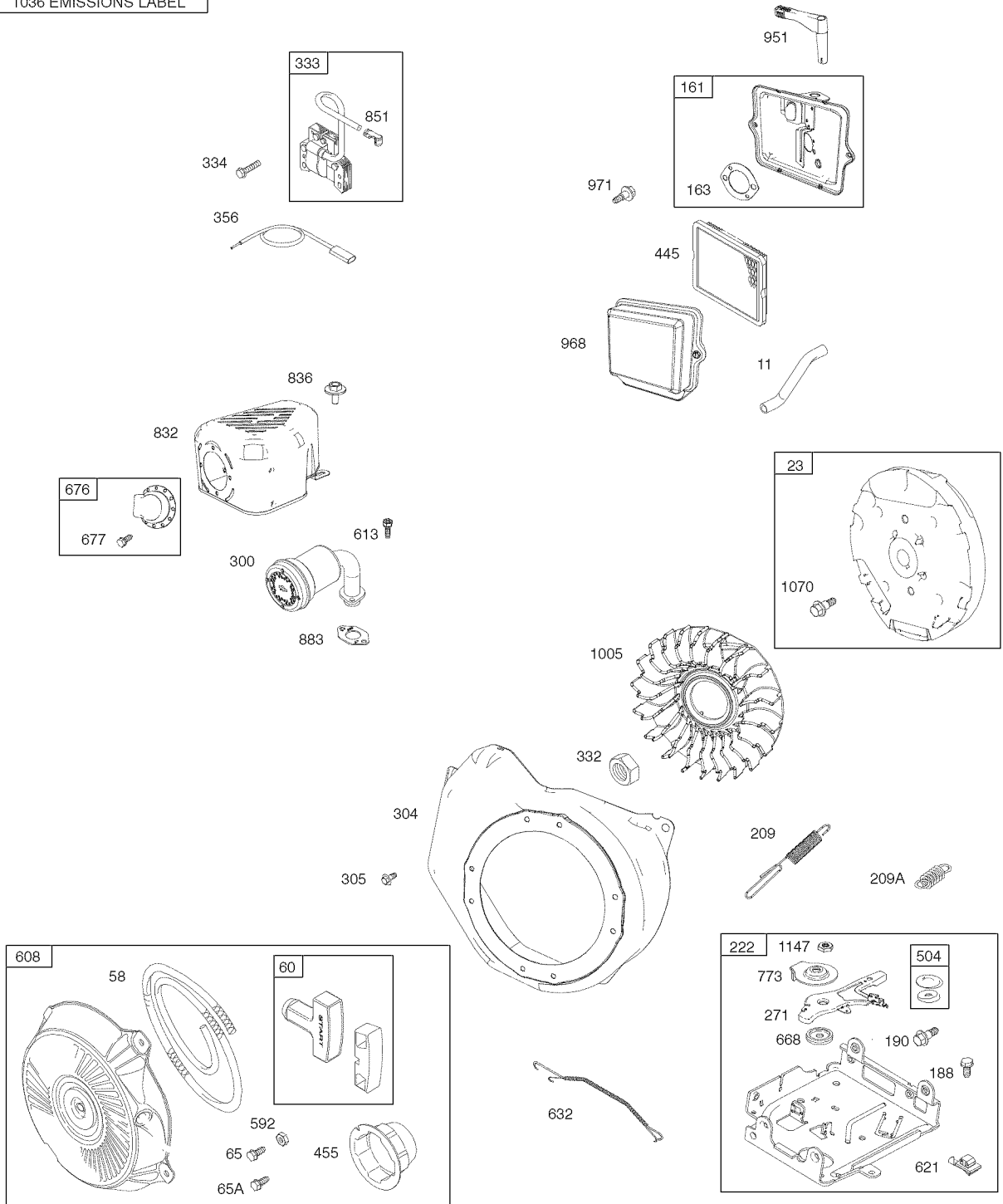


CRAFTSMAN TILLER - - MODEL NUMBER 917.986941
ENGINE, BRIGGS & STRATTON -- MODEL NUMBER 12T402, TYPE NO. 1613-F8

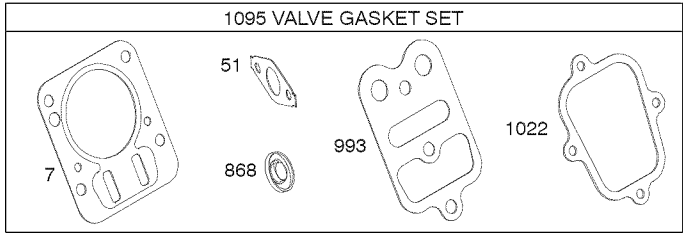
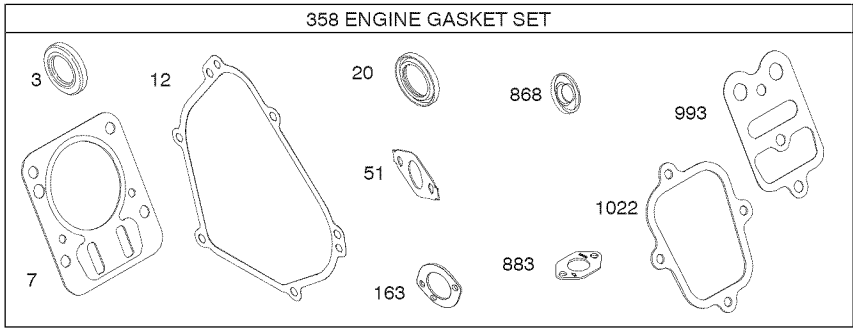
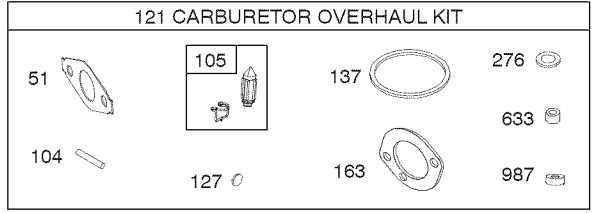


CRAFTSMAN TILLER - - MODEL NUMBER 917.986941
ENGINE, BRIGGS & STRATTON -- MODEL NUMBER 12T402, TYPE NO. 1613-F8

1036 EMISSIONS LABEL



CRAFTSMAN TILLER - - MODEL NUMBER 917.986941
ENGINE, BRIGGS & STRATTON -- MODEL NUMBER 12T402, TYPE NO. 1613-F8



CRAFTSMAN TILLER - - MODEL NUMBER 917.986941
ENGINE, BRIGGS & STRATTON -- MODEL NUMBER 12T402, TYPE NO. 1613-F8

KEY NO.	PART NO.	DESCRIPTION	KEY NO.	PART NO.	DESCRIPTION
1	699510	Cylinder Assembly	125	591299	Carburetor
2	796961	Kit-Bushing/Seal (Magneto Side)	127	797633	Plug-Welch
3	299819s	Seal-Oil (Magneto Side)	130	797630	Valve-Throttle
5	797439	Head-Cylinder	133	797136	Float-Carburetor
7	698210	Gasket-Cylinder Head	137	797625	Gasket-Float Bowl
11	790632	Tube-Breather	146	690979	Key-Timing
12	699485	Gasket-Crankcase	155	797442	Plate-Cylinder Head
13	699482	Screw (Cylinder Head)	161	790631	Base-Air Cleaner
15	691686	Plug-Oil Drain	163	696024	Gasket-Air Cleaner
15A	691682	Plug-Oil Drain	187	791867	Line-Fuel (Formed)
16	797070	Crankshaft	187A	791766	Line-Fuel (Cut to required length)
18	699696	Cover-Crankshaft	188	699479	Screw (Control Bracket)
20	692550	Seal-Oil (PTO Side)	190	699220	Screw (Fuel Tank)
21	281658s	Cap-Oil Fill	192	797440	Adjustor-Rocker Arm
22	699478	Screw (Crankcase Cover/Sump)	209	692571	Spring-Governor (#3 Hole)
23	699488	Flywheel	209A	691278	Spring-Governor (Idle Speed Adjust) (Platinum)
24	796335	Key-Flywheel (Steel)	219	693578	Gear-Governor
	222698s	Key-Flywheel (Aluminum)	220	691724	Washer (Governor Gear)
25	795429	Piston Assembly (Standard Size)	222	793107	Bracket-Control
	795430	Piston Assembly (.020" Oversize)	227	794367	Lever-Governor Control
26	791969	Ring Set (Standard Size)	238	691300	Valve-Cap
	793001	Ring Set (.020" Oversize)	271	694256	Lever-Control (Control Bracket)
27	691866	Lock-Piston Pin	276	797632	Washer-Sealing
28	499423	Pin-Piston	300	693593	Muffler
29	798813	Rod-Connecting	304	699598	Housing-Blower
32	797437	Screw (Connecting Rod) (M6 x 31mm)	305	699481	Screw (Blower Housing)
33	499642	Valve-Exhaust	306	795334	Shield-Cylinder
34	795443	Valve-Intake	307	699483	Screw (Cylinder Shield)
35	691304	Spring-Valve (Intake)	332	792723	Nut (Flywheel)
36	691304	Spring-Valve (Exhaust)	333	796964	Armature-Magneto
40	692194	Retainer-Valve	334	699477	Screw (Magneto Armature)
45	690977	Tappet-Valve	337	491055s	Plug-Spark
46	693404	Camshaft	356	692390	Wire-Stop
48	- - -	Short Block	358	791797	Gasket Set-Engine
51	692555	Gasket-Intake	365	699484	Screw (Carburetor) (M6 x 35.5mm)
58	693389	Rope-Starter	415	693463	Plug
60	490652	Grip-Starter Rope	445	491588s	Filter-Air Cleaner Cartridge
65	690837	Screw (Rewind Starter) (#10-32 x .37)	455	591302	Cup-Flywheel
65A	699228	Screw (Rewind Starter) (M5 x 6.35mm)	504	695383	Washer Set-Friction (Control Bracket)
95	691636	Screw (Throttle Valve)	505	691251	Nut (Governor Control Lever)
97	797628	Shaft-Throttle	552	692346	Bushing-Governor Crank
98	797156	Kit-Idle Speed	562	691119	Bolt (Governor Control Lever)
104	797622	Pin-Float Hinge	592	690800	Nut (Rewind Starter)
105	797139	Valve-Float Needle	601	791850	Clamp-Hose (Green)
108	692567	Valve-Choke	608	591301	Starter-Rewind
109	790624	Shaft-Choke	613	699209	Screw (Muffler)
117	591298	Jet-Main (Standard)			(M6 x 20mm)
121	797634	Kit-Carburetor Overhaul	615	692576	Retainer-Governor Shaft
122	795643	Spacer-Carburetor	616	692547	Crank-Governor

CRAFTSMAN TILLER - - MODEL NUMBER 917.986941
ENGINE, BRIGGS & STRATTON -- MODEL NUMBER 12T402, TYPE NO. 1613-F8

KEY NO.	PART NO.	DESCRIPTION	KEY NO.	PART NO.	DESCRIPTION
619	699230	Screw (Cylinder Head Plate)	958	698180	Valve-Fuel Shut Off
621	692310	Switch-Stop	968	791082	Cover-Air Cleaner
632	693408	Spring/Link (Mechanical Governor)	971	798649	Screw (Air Cleaner Base to Carburetor) (M5x12mm)
633	693867	Seal-Choke/Throttle Shaft (Choke Shaft)	972	799863	Tank-Fuel
635	692076	Boot-Spark Plug	975	797631	Bowl-Float
668	694257	Spacer (Control Bracket)	987	797629	Seal-Throttle Shaft
676	796956	Deflector-Muffler	993	694088	Gasket (Cylinder Head Plate)
677	699203	Screw (Muffler Deflector)	1005	794273	Fan-Flywheel
692	797624	Spring-Detent	1022	691890	Gasket-Rocker Cover
718	690959	Pin-Locating	1023	499924	Cover-Rocker
741	695087	Gear-Timing	1026	790287	Rod-Push
742	692564	Retainer-E Ring	1029	797443	Arm-Rocker
746	790278	Gear-Idler	1034	691343	Guide-Push Rod
773	694258	Retainer (Control Bracket)	1036	- - -	Label-Emissions (Available from any Briggs & Stratton Authorized Dealer)
830	797441	Stud-Rocker Arm			
832	693583	Guard-Muffler	1058	277040	Operator's Manual
836	699632	Screw (Muffler Guard) (M6 x 14mm)	1070	699201	Screw (Flywheel Fan)
851	493880s	Terminal-Spark Plug	1095	791798	Gasket Set-Valve
868	795440	Seal-Valve	1147	798458	Nut (Control Bracket)
869	691155	Seal-Valve	1329	- - -	Replacement Engine
883	691893	Gasket-Exhaust	1330	272147	Repair Manual
914	699481	Screw (Rocker Cover) (M6 x 15.88mm)			Carburetor Overhaul Kit Key No. 121
914A	692557	Screw (Rocker Cover) (M6 x 9.53mm)			Engine Gasket Set Key No. 358
951	790630	Lever-Choke			Valve Gasket Set Key No. 1095
957	799719	Cap-Fuel Tank			

SERVICE NOTES

NEED MORE HELP?

You'll find the answer and more on managemyhome.com – for free!

- Find this and all your other product manuals online.
- Get answers from our team of home experts.
- Get a personalized maintenance plan for your home.
- Find information and tools to help with home projects.

manage  home

brought to you by Sears

Get it fixed, at your home or ours!

Your Home

For repair – **in your home** – of **all** major brand appliances, lawn and garden equipment, or heating and cooling systems, **no matter who made it, no matter who sold it!**

For the replacement parts, accessories and owner's manuals that you need to do-it-yourself.

For Sears professional installation of home appliances and items like garage door openers and water heaters.

1-800-4-MY-HOME[®] Anytime, day or night
(1-800-469-4663) (U.S.A. and Canada)
www.sears.com www.sears.ca

Our Home

For repair of carry-in products like vacuums, lawn equipment, and electronics, call or go on-line for the nearest **Sears Parts and Repair Center.**

1-800-488-1222 Anytime, day or night (U.S.A. only)
www.sears.com

To purchase a protection agreement (U.S.A.) or maintenance agreement (Canada) on a product serviced by Sears:

1-800-827-6655 (U.S.A.) **1-800-361-6665** (Canada)

Para pedir servicio de reparación a domicilio, y para ordenar piezas:

1-888-SU-HOGAR[®]
(1-888-784-6427)

Au Canada pour service en français:

1-800-LE-FOYER^{MC}
(1-800-533-6937)
www.sears.ca



© Sears Brands, LLC

© Registered Trademark / TM Trademark / SM Service Mark of Sears Brands, LLC

© Marca Registrada / TM Marca de Fábrica / SM Marca de Servicio de Sears Brands, LLC

^{MC} Marque de commerce / ^{MD} Marque déposée de Sears Brands, LLC