

# CONTENTS

<b>Child Safety Guide</b>	<b>02</b>	<b>Basic Operations</b>	<b>07</b>
<b>Caution and Warning</b>	<b>02</b>	Turning On and Off	07
<b>Safety Precautions</b>	<b>04</b>	Choosing TV Channel	07
<b>Preparation for Your New TV</b>	<b>05</b>	Selecting Input Source	07
Check Accessories	05	Channel Bar	08
Setup TV Table Stand	05	Adjusting Volume	08
Select TV Location	05	EPG (Electronic Program Guide)	08
Connection and Using	05	<b>OSD Menu Operations</b>	<b>08</b>
<b>TV Signal Connection</b>	<b>05</b>	Adjust the OSD Screen	08
<b>Cable Connections</b>	<b>05</b>	Quick Menu	08
<b>Side Panel Connections</b>	<b>05</b>	Channel Menu	08
Connecting AV Composite video device	05	Picture Menu	08
Connecting YPbPr Component device	06	Audio Menu	09
Connecting HDMI device	06	Time Menu	09
How to obtain various kinds of Input Sources	06	Setup Menu	10
<b>TV Jacks Explanation</b>	<b>06</b>	Lock Menu	10
<b>Keypad and Front Panel</b>	<b>07</b>	<b>Frequently Asked Questions (FAQs)</b>	<b>11</b>
Keypad Buttons	07	<b>Troubleshooting</b>	<b>12</b>
Front Panel	07	<b>Wall Mounting Unit Specification</b>	<b>13</b>
		<b>USB Media Play</b>	<b>13</b>
		<b>Product Specification</b>	<b>14</b>
		<b>Warranty Card</b>	<b>14</b>

# LED LCD TV USER'S MANUAL

MODEL  
LED32G30RQ

Please register your product at [www.rca.com](http://www.rca.com)  
Please keep your sales receipt and keep the record of the serial number and the date of purchase in order to receive warranty parts and service. The serial number is located at the back of the TV.

Serial Number

Date of Purchase

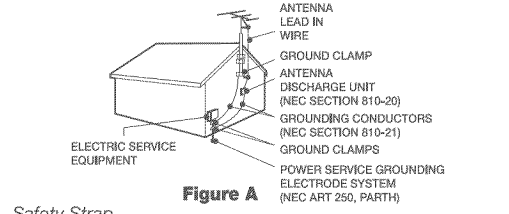


## Safety Precautions

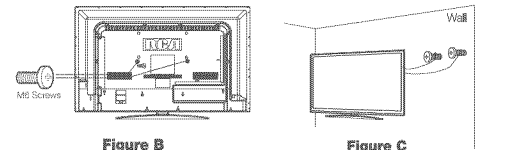
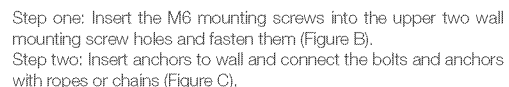
- Read these instructions.
- Keep these instructions.
- Heed all warnings.
- Follow all instructions.
- Do not use this apparatus near water. For example, do not use near a laundry tub, in a wet basement, or near a swimming pool, and the like.
- Clean only with dry cloth.
- Do not block any ventilation openings. Install in accordance with the manufacturer's instructions. Slots and openings in the cabinet back or bottom are provided for ventilation, to ensure reliable operation of the TV and to protect it from overheating. These openings must never be blocked or covered. The openings should never be blocked by placing the TV on a bed, sofa, rug, or other similar surface.
- Do not install near any heat sources such as radiators, heat registers, stoves, or other apparatus (including amplifiers) that produce heat.
- Do not defeat the safety purpose of the polarized or grounding-type plug. A polarized plug has two blades with one wider than the other. A grounding-type plug has two blades and a third grounding prong. The wide blade or the third prong is provided for your safety. If the provided plug does not fit into your outlet, consult an electrician for replacement of the obsolete outlet.
- Protect the power cord from being walked on or pinched particularly at plugs, convenience receptacles, and the point where they exit from the apparatus.
- Only use attachments/accessories specified by the manufacturer.
- Use only with cart, stand, tripod, bracket, or table specified by the manufacturer, or sold with the apparatus. When a cart is used, use caution when moving the cart/apparatus combination to avoid injury from tip-over.
- A TV and cart combination should be moved with care. Quick stops, excessive force, and uneven surfaces may cause the TV and cart combination to overturn.
- Unplug this apparatus during lightning storms or when unused for long periods of time.
- For added protection for this TV receiver during a lightning storm, or when it is left unused for long periods of time, unplug it from the wall outlet and disconnect antenna or cable system.
- This will prevent damage to the TV due to lightning and power line surges.
- Refer all servicing to qualified service personnel. Servicing is required when the apparatus has been damaged in any way, such as power-supply cord or plug is damaged, liquid has been spilled or objects have fallen into the apparatus, the apparatus has been exposed to rain or moisture, does not operate normally, or has been dropped.
- This TV should be operated only from the type of power supply indicated on the rating label.
- If customer is not sure the type of power supply in your home, consult your appliance dealer or local power company. For TV remote control battery power, refer to the operating instructions.
- The TV set shall not be exposed to dripping or splashing. No objects filled with liquids, such as vases, shall be placed on the TV set.

- Never push objects of any kind into this TV through openings as they may touch dangerous voltages or other electrical parts that could result in fire or electric shock. Never spill liquid of any kind into the TV.
- Unplug the TV from the wall outlet before cleaning. Do not use liquid or aero cleaners. Use a damp cloth for cleaning.
- This TV should never be placed near or over a radiator or heat resource. This TV should not be placed in a built-in installation such as a bookcase or rack unless proper ventilation is provided or the manufacturer's instructions have been adhered to.
- Do not place this TV on an unstable cart, stand, tripod, bracket, or table. The TV may fall, causing serious injury to someone, and serious damage to the appliance.
- Do not attempt to service this TV by yourself because opening or removing covers may expose you to dangerous high voltage or other hazards. Refer all servicing to qualified service personnel.
- This device complies with Part 15 of the FCC Rules. Operation is subject to the following two conditions: (1) this device may not cause harmful interference, and (2) this device must accept any interference received, including interference that may cause undesired operation.

- WARNING: To prevent injury, this apparatus must be securely attached to the floor/wall in accordance with the installation instructions.
- To reduce the risk of electric shock, the grounding of center pin of plug must be maintained.
- If an outside antenna or cable system is connected to the TV, be sure the antenna or cable system is grounded to provide some protection against voltage surges and built-up static charges. Section 810 of the National Electrical Code, ANSI/NFPA NO.70, provides information with respect to proper grounding of the mast and supporting structure, grounding of the lead-in wire to an antenna discharge unit, size of grounding conductors, location of antenna discharge unit, connection to grounding electrodes, and requirements for the grounding electrodes. (See figure A)



**Safety Strap**  
Caution: Pushing, pulling or climbing on the TV may cause the TV falling. Do not let children climb or hang on the TV. Always place the TV on a sturdy, level, stable surface that can hold the weight of TV. And if possible, secure the TV according to the instruction below (Note: The fastening components such as screws are not supplied with TV).



## Preparation for Your New TV

- Before Turning On TV**  
Check the accessories that are packed with your TV. (refer to Quick Start Guide)
- Setup TV Table Stand**  
Please refer to Quick Start Guide to carry out stand installing.
- Select TV Location**  
Select a flat, stable table to place your TV set. Please follow the safety instructions when placing the TV.

- Connection and Using**  
After placing your TV properly, you can connect the TV with power supply and cable components. For further information, see page 5 to page 6.

## TV Signal Connection

The first step in connecting your TV is obtaining the signal. Your TV LED32G30RQ has a back panel, which allows you to receive analog and/or digital television channels via ANT/CABLE jack. Before connecting your TV, determine using an antenna or a cable service to obtain the signal.

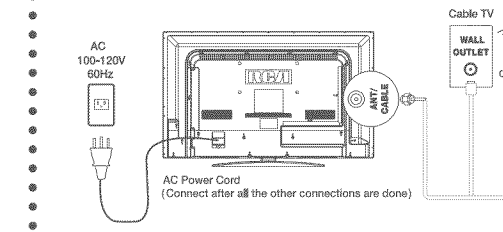
### A. Antenna

Connect the antenna to TV via coaxial cable on ANT/CABLE jack of the back panel. You are ready to receive air local digital and analog channels.

**B. Cable TV service**  
Connect the cable TV wall jack to TV via coaxial cable on ANT/CABLE jack of the back panel. You are ready to receive off-air local digital and analog channels.

**C. Set-Top Box**  
If you use a set-top box, you may need to call your cable company or satellite service provider, which use a special connection, please refer to the user's guide of set-top box.

*Note: Do not plug the AC cord until you have accomplished all the connections. This TV does not support QAM under cable channel search.*



## Cable Connections

**Choose Your Connections**  
TV LED32G30RQ supports various connections to other devices (such as DVD, VCR, Set-top box, etc.). Please follow the table to choose the cables which adapt to your device.

Jacks	Cables	Further Information
COMPOSITE L-AUDIO-R	Video/Audio cable	See the below
COMPONENT Y, Pb, Pr L-AUDIO-R	COMPONENT video cable	Go to page 6
HDMI IN 1/DVI/MHL, 2/ARC	HDMI-DVI cable HDMI cable MHL cable	Go to page 6

*Note: HDMI, the HDMI logo, and High-Definition Multimedia Interface are trademarks or registered trademarks of HDMI Licensing LLC*

*Caution: Unplug the AC cord when you connect other devices to TV.*

## Side Panel Connections

**Connecting AV Composite device**  
(Good Video Quality)

Composite connector will be shared with Component Y connector. To connect a composite AV device, such as a DVD player, follow these steps:

- Connect the COMPOSITE jack on the side of TV to the video output jacks of device via video cable (yellow).
- Connect the L-AUDIO-R jacks on the side of TV to the audio output jacks of device via audio cable. Notice the left channel jack and plugs are white and the right channel jack and plugs are red.

*Note: AV signal belongs to composite video. This kind of video signal has regular good display quality.*

### Composite Video Connection

The picture below is an example of a connection using the composite video jack.

## Child Safety Guide

Congratulations on your purchase! As you enjoy your new product, please keep these safety tips in mind :

### The Issue

The home theater entertainment experience is a growing trend and larger flat panel displays and popular purchases.

However, flat panel displays are not always supported on the proper stands of installed according to the manufacturer's recommendations.

Flat panel displays that are inappropriately situated on dressers, bookcases, shelves, desks, speakers, chests or cats may fall over and cause injury.

### This Manufacturer Cares!

The consumer electronics industry is committed to making home entertainment enjoyable and safe.

### Wall Mounting : IF YOU DECIDE TO WALL MOUNT YOUR FLAT PANEL DISPLAY, ALWAYS :

- Use a mount that has been recommended by the display manufacturer and/or listed by an independent laboratory (such as UL, CSA, ETL).
- Follow all instructions supplied by the display and wall mount manufacturers.
- If you have any doubts about your ability to safely install your flat panel display, contact your retailer about professional installation.
- Make sure that the wall where you are mounting the display is appropriate. Some block construction. If you are unsure, contact a professional installer.
- A minimum of two people are required for installation. Flat panel displays can be heavy.

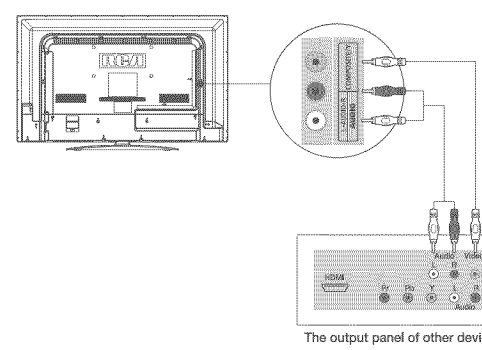
### Caution and Warning

**CAUTION**  
RISK OF ELECTRIC SHOCK  
DO NOT OPEN

Caution: To reduce the risk of electric shock, do not remove cover or back. No user-serviceable parts inside. Refer servicing to qualified service personnel.

The lightning flash with arrowhead symbol, within an equilateral triangle is intended to alert the user to the presence of unshielded dangerous voltage within the product enclosure that may be of sufficient magnitude to constitute a risk of electric shock.

The exclamation point within an equilateral triangle is intended to alert the user to the presence of important operating and maintenance (servicing) instructions in the literature accompanying the TV.



### Connecting YPbPr Component device

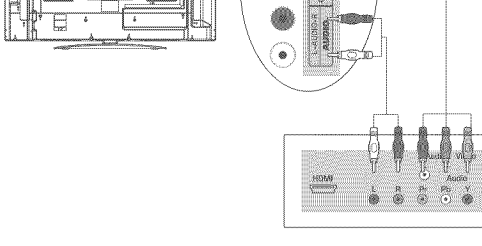
To connect a component device, such as a DVD player, follow these steps:

- Connect the COMPONENT IN Y/Pb/Pr jack on the side of TV to the video output jacks of device via video cable (green, blue and red).
- Connect the L-AUDIO-R jacks on the side of TV to the audio output jacks of device via audio cable. Notice the left channel jack and plugs are white and the right channel jack and plugs are red.

*Note: Y/Pb/Pr jacks are component video. This kind of video signal has better display quality.*

### Component Video Connection

The picture below is an example of a connection using the component video jack.



### Connecting HDMI device

To connect a HDMI device, such as a DVD player, please Connect the HDMI1/DVI/MHL, 2/ARC jack on the side of TV to the output jacks of device via HDMI cable.

To connect a DVI device, via DVI port of PC or Device and HDMI jack of TV:

- Connect the HDMI1/DVI/MHL jack on the side of TV to the DVI port of PC via HDMI-DVI cable.
- Connect the L-AUDIO-R jack on the side of TV to the audio output jack of computer with audio cable (dual-channel RCA jacks to 3.5mm stereo jack or the L-AUDIO-R jack).

To connect an ARC HDMI OUT device, please connect to the HDMI input port of the device such as amplifier.

*Note: 1. HDMI (High-Definition Multimedia Interface) is a compact audio/video interface for transmitting uncompressed digital data. It carries the audio and video signal via the same cable and has the best display quality.*

### Tune Into Safety

- One size does NOT fit all. Follow the manufacturer's recommendation for the safe installation and use of your flat panel display.

- Carefully read and understand all enclosed instructions for proper use of this product.

- Don't allow children to climb on or play with furniture and television sets.

- Don't place flat panel displays on furniture that can easily be used as steps, such as a chest of drawers.

- Remember that children can become excited while watching a program, especially on a "larger than life" flat panel display. Care should be taken to place or install the display where it cannot be pushed, pulled over, or knocked down.

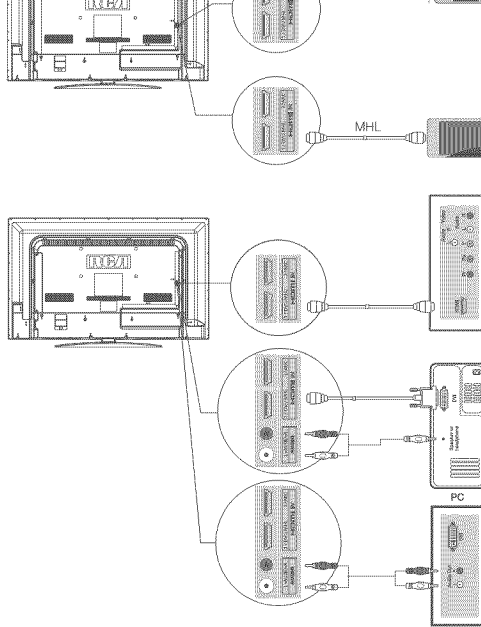
- Care should be taken to route all cords and cables connected to the panel display so that they cannot be pulled or grabbed by curious children.

**CEA**  
www.CE.org/safety

2. HDMI-DVI cable transfers only video signal from DVI port of DVI device to HDMI jack of TV. For audio signal, please connect audio output to L-AUDIO-R jack on TV back panel.

### HDMI Connection

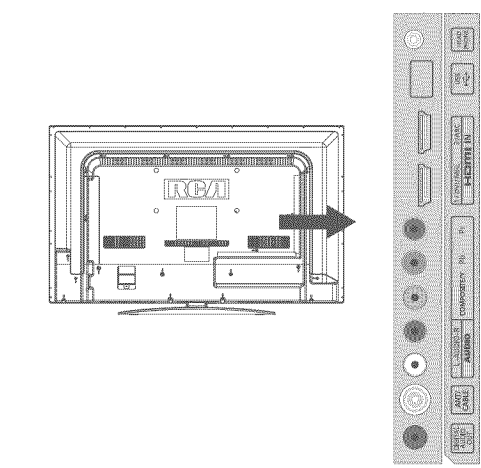
The picture below is an example of a connection using the HDMI video jack.



### How to Obtain Various Kinds of Input Sources

After connection is done, press INPUT button on remote control or TV top panel to choose the input source you need. See page 7, Basic Operation of TV.

## TV Jacks Explanation



## Guía de seguridad para niños

¡Muchas gracias por su uso del presente producto! Cuando usted disfruta de su nuevo producto, por favor tenga en cuenta los consejos de seguridad:

### Posibles Problemas

- La experiencia de entretenimiento de cine en casa es una tendencia creciente y los grandes monitores de pantalla plana son muy populares.

embargo, los monitores de pantalla plana no se han instalado siempre en los soportes adecuados o instalado de acuerdo con las recomendaciones de fabricante.

- Los monitores de pantalla plana que se han instalado inadecuadamente en tocadores, estanterías, estantes, escritorios, oradores, baúles o carros se pueden caer y causar el daño corporal.

### ¡Al Fabricante le Importa

- La industria electrónica del consumidor está comprometida a hacer el entretenimiento de casa agradable y seguro.

### Montaje de Pared: SI USTED DECIDE A MONTAR SU MONITOR DE PANTALLA PLANA LA PARED, SIEMPRE

- Use una montura que se ha recomendado por un laboratorio independiente (como UL, CSA, ETL).
- Siga todas las instrucciones ofrecidas por el fabricante de monitor y montaje de pared.
- Si usted tiene cualquier duda sobre su habilidad para instalar seguramente su monitor de pantalla plana, contacte a su distribuidor para la instalación profesional.
- Compruebe que la pared adonde se está montando el monitor es adecuada. Algunos montajes de la pared no son diseñados para ser montados a paredes con tachones de acero o la vieja construcción de bloque de ceniza. Si usted está inseguro, contacte a un instalador profesional.
- Por lo menos dos personas se requieren para la instalación. Los monitores de pantalla plana puede ser pesados.

### FCC Notice

**Fcc Information**  
This equipment has been tested and found to comply with the limits for a Class B digital device, pursuant to Part 15 of the FCC rules. These limits are designed to provide reasonable protection against harmful interference in a residential installation. This equipment generates, uses and can radiate radio frequency energy and, if not installed and used in accordance with the instructions, may cause harmful interference to radio communications. However, there is no Guarantee that interference will not occur in a particular installation.



### Ajustar Hasta Seguridad

- Un tamaño fijo NO es adecuado para todos. siga las recomendaciones de fabricante para la instalación segura y el uso de su monitor de pantalla plana

- Lea con cuidado y entienda todas las instrucciones adjuntas para el uso propio de este producto.

- No permita a los niños a subir al equipo o jugar con muebles y televisores.

- No cloque los monitores de pantalla plana en el mueble que se puede usar fácilmente como escalón, así como una cómoda.

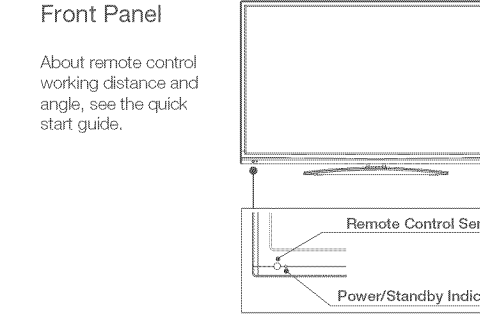
- Recuerde que los niños pueden llegar a ser excitados al ver una programación, especialmente en el monitor de pantalla plana "más grande que vida". El cuidado se tiene que empezar por poner o instalar el monitor donde no se puede empujar, detener al cuidado del camino ni echar abajo.

- El cuidado se tiene que empezar por encaminar todos los cordones y cables conectados al monitor de pantalla plana para que no se puedan tirar o agarrar conectados al monitor de pantalla plana para que no se puedan tirar o agarrar por los niños curiosos.

If this equipment does cause harmful interference to radio or television reception, which can be determined by turning the equipment off and on, the user is encouraged to try to correct the interference by one or more of the following measures:

- Reorient or relocate the receiving antenna.
- Increase the separation between the equipment and the receiver.
- Connect the equipment into an outlet on a circuit different from that to which the receiver is connected.
- Consult the dealer or an experienced radio/TV technician for help.

Device complies with FDA radiation performance standards, 21 CFR subchapter. Caution: (Invisible) Laser Radiation when open. Do not stare into beam.



**Power/Standby Indicator:** Light up in red when the TV is in standby mode. Light out when the TV is on.

**Remote Control Sensor:** Remote control IR sensor, which receives infrared ray sent by remote control.

Codes for Cox Communications: 0178  
Codes for Comcast: 10178  
Codes for Dish Network: 627  
Codes for Fios Verizon: 0205, 0057, 0493, 0775

## Basic Operations

### Turning On and Off

Connect the AC cord to power the LED LCD TV. At this time the TV will enter standby mode and power indicator will turn red. Use Power button (P) on the top panel of TV or on the remote control to turn on the TV. After switching off the TV for 5 seconds, you can turn on TV again.

### Choosing TV Channel

**Tuning To Analog Channels**  
an analog channel has a channel number beginning with "A". Input the digital number with numeric buttons directly and press OK button to confirm. For example, to watch analog channel "A51", press "5", "1", "OK" on remote control in sequence.

*Note: Although there is no analog TV signal available in America, we reserve ATV functions for some expandable use.*

**Tuning To Digital Channels**  
A digital channel has a channel number beginning with "D". Input the main digital number with numeric buttons directly, then press "F" button on remote control, and input the sub number at last.

For example, to watch analog channel "D61-1", press "3", "1", "1", "1", "OK" on remote control in sequence.

Changing Channels Directly You can use CH+ button to increase channel number and CH- to decrease channel number.

When no OSD (On Screen Display) is used, the up/down arrows can also work as CH+/CH- buttons.

### Selecting Input Source

Press INPUT button on remote control to display Source Select list. Use up/down arrows to highlight the source you need and press OK to confirm.

Source Select
TV
AV
Component
HDMI 1
HDMI 2
USB
More
Select



