

Dryers

Safety Instructions 2-4

Operating Instructions

Control Panel 5

Control Settings 6

Loading and Using
the Dryer 8, 9

Reversing the Door 7

Venting the Dryer 9

Troubleshooting Tips ... 10, 11

Consumer Support

Consumer Support 14

Warranty 13



Write the model and serial numbers here:

Model # _____

Serial # _____

You can find them on a label on the front of the dryer behind the door.

IMPORTANT SAFETY INFORMATION. READ ALL INSTRUCTIONS BEFORE USING.

49-90506

⚠ WARNING!

For your safety, the information in this manual must be followed to minimize the risk of fire or explosion, electric shock, or to prevent property damage, personal injury, or death.

- Do not store or use gasoline or other flammable vapors and liquids in the vicinity of this or any other appliance.
- Installation and service must be performed by a qualified installer, service agency or the gas supplier.

WHAT TO DO IF YOU SMELL GAS:

- 1 Do not try to light a match, or cigarette, or turn on any gas or electrical appliance.
- 2 Do not touch any electrical switch; do not use any phone in your building.
- 3 Clear the room, building or area of all occupants.
- 4 Immediately call your gas supplier from a neighbor's phone. Follow the gas supplier's instructions carefully.
- 5 If you cannot reach your gas supplier, call the fire department.

California Safe Drinking Water and Toxic Enforcement Act

This act requires the governor of California to publish a list of substances known to the state to cause cancer, birth defects or other reproductive harm and requires businesses to warn customers of potential exposure to such substances.

Gas appliances can cause minor exposure to four of these substances, namely benzene, carbon monoxide, formaldehyde and soot, caused primarily by the incomplete combustion of natural gas or LP fuels.

Properly adjusted dryers will minimize incomplete combustion. Exposure to these substances can be minimized further by properly venting the dryer to the outdoors.



PROPER INSTALLATION

This dryer must be properly installed and located in accordance with the Installation Instructions before it is used. If you did not receive an Installation Instructions sheet, you can receive one by visiting Hotpoint.com, or by calling 800.GE.CARES (800.432.2737).

- Properly ground dryer to conform with all governing codes and ordinances. Follow details in Installation Instructions.
- Install or store where it will not be exposed to temperatures below freezing or exposed to the weather, which could cause permanent damage and invalidate the warranty.
- Connect to a properly rated, protected and sized power supply circuit to avoid electrical overload.
- Remove all sharp packing items and dispose of all shipping materials properly.

Exhaust/Ducting:

- 1 All dryers **MUST** be exhausted to the outside to prevent large amounts of moisture and lint from being blown into the room.
- 2 Use only rigid metal 4" diameter ductwork inside the dryer cabinet and use only rigid metal 4" diameter or UL approved transition ducting between the dryer and the home duct. **USE OF PLASTIC OR OTHER COMBUSTIBLE DUCTWORK CAN CAUSE A FIRE. PUNCTURED DUCTWORK CAN CAUSE A FIRE IF IT COLLAPSES OR BECOMES OTHERWISE RESTRICTED IN USE OR DURING INSTALLATION.**

For complete details, follow the Installation Instructions.

IMPORTANT SAFETY INFORMATION. READ ALL INSTRUCTIONS BEFORE USING.

49-90506

Hotpoint.com

⚠ WARNING!



YOUR LAUNDRY AREA

- Keep the area underneath and around your appliances free of combustible materials (lint, paper, rags, etc.), gasoline, chemicals and other flammable vapors and liquids.
- Keep the floor around your appliances clean and dry to reduce the possibility of slipping.
- Close supervision is necessary if this appliance is used by or near children. Do not allow children to play on, with or inside this or any other appliance.
- Keep all laundry aids (such as detergents, bleaches, etc.) out of the reach of children, preferably in a locked cabinet. Observe all warnings on container labels to avoid injury.
- Keep the area around the exhaust opening and adjacent surrounding areas free from the accumulation of lint, dust and dirt.
- Never climb on or stand on the dryer top.



WHEN USING YOUR DRYER

- Never reach into the dryer while the drum is moving. Before loading, unloading or adding clothes, wait until the drum has completely stopped.
- Clean the lint filter before each load to prevent lint accumulation inside the dryer or in the room. **DO NOT OPERATE THE DRYER WITHOUT THE LINT FILTER IN PLACE.**
- Do not wash or dry articles that have been cleaned in, washed in, soaked in or spotted with combustible or explosive substances (such as wax, oil, paint, gasoline, degreasers, dry-cleaning solvents, kerosene, etc.). These substances give off vapors that may ignite or explode. Do not add these substances to the wash water. Do not use or place these substances around your washer or dryer during operation.
- Do not place items exposed to cooking oils in your dryer. Items contaminated with cooking oils may contribute to a chemical reaction that could cause a clothes load to catch fire.
- Any article on which you have used a cleaning solvent or that contains flammable materials (such as cleaning cloths, mops, towels used in beauty salons, restaurants, or barber shops, etc.) must not be placed in or near the dryer until solvents or flammable materials have been removed. There are many highly flammable items used in homes such as acetone, denatured alcohol, gasoline, kerosene, some household cleaners, some spot removers, turpentine, waxes, wax removers and products containing petroleum distillates.
- The laundry process can reduce the flame retardancy of fabrics. To avoid such a result, carefully follow the garment manufacturer's care instructions.
- Do not dry articles containing rubber, plastic or similar materials such as padded bras, tennis shoes, galoshes, bath mats, rugs, bibs, baby pants, plastic bags, pillows, etc. that may melt or burn. Some rubber materials, when heated, can under certain circumstances produce fire by spontaneous combustion.
- Do not store plastic, paper or clothing that may burn or melt on top of the dryer during operation.
- Garments labeled *Dry Away from Heat* or *Do Not Tumble Dry* (such as life jackets containing Kapok) must not be put in your dryer.
- Do not dry fiberglass articles in your dryer. Skin irritation could result from the remaining particles that may be picked up by clothing during subsequent dryer uses.
- To minimize the possibility of electric shock, unplug this appliance from the power supply or disconnect the dryer at the household distribution panel by removing the fuse or switching off the circuit breaker before attempting any maintenance or cleaning (except the removal and cleaning of the lint filter). **NOTE:** Turning the Cycle Selector knob to an off position or pressing PAUSE does **NOT** disconnect the appliance from the power supply.
- Do not obstruct the flow of ventilating air. Do not stack or place laundry or throw rugs against the front or back of the dryer.

IMPORTANT SAFETY INFORMATION. READ ALL INSTRUCTIONS BEFORE USING.

49-90506

⚠️ WARNING!



WHEN USING YOUR DRYER (cont.)

- Never attempt to operate this appliance if it is damaged, malfunctioning, partially disassembled, or has missing or broken parts, including a damaged cord or plug.
- The interior of the machine and the exhaust duct connection inside the dryer should be cleaned at least once a year by a qualified technician. See the *Loading and Using the Dryer* section.
- If yours is a gas dryer, it is equipped with an automatic electric ignition and does not have a pilot light. **DO NOT ATTEMPT TO LIGHT WITH A MATCH.** Burns may result from having your hand in the vicinity of the burner when the automatic ignition turns on.
- You may wish to soften your laundered fabrics or reduce the static electricity in them by using a dryer-applied fabric softener or an anti-static conditioner. We recommend you use either a fabric softener in the wash cycle, according to the manufacturer's instructions for those products, or try a dryer-added product for which the manufacturer gives written assurance on the package that their product can be safely used in your dryer. Service or performance problems caused by use of these products are the responsibility of the manufacturers of those products and are not covered under the warranty to this appliance.
- Do not spray any type of aerosol into, on, or near dryer at any time. Do not use any type of spray cleaner when cleaning dryer interior. Hazardous fumes or electrical shock could occur.



WHEN NOT USING YOUR DRYER

- Grasp the plug firmly when disconnecting this appliance to avoid damage to the cord while pulling. Place the cord away from traffic areas so it will not be stepped on, tripped over or subjected to damage.
- Do not attempt to repair or replace any part of this appliance or attempt any servicing unless specifically recommended in this Owner's Manual or in published user-repair instructions that you understand and have the skills to carry out.
- Before discarding a dryer, or removing it from service, remove the dryer door to prevent children from hiding inside.
- Do not tamper with controls.



READ AND FOLLOW THIS SAFETY INFORMATION CAREFULLY.

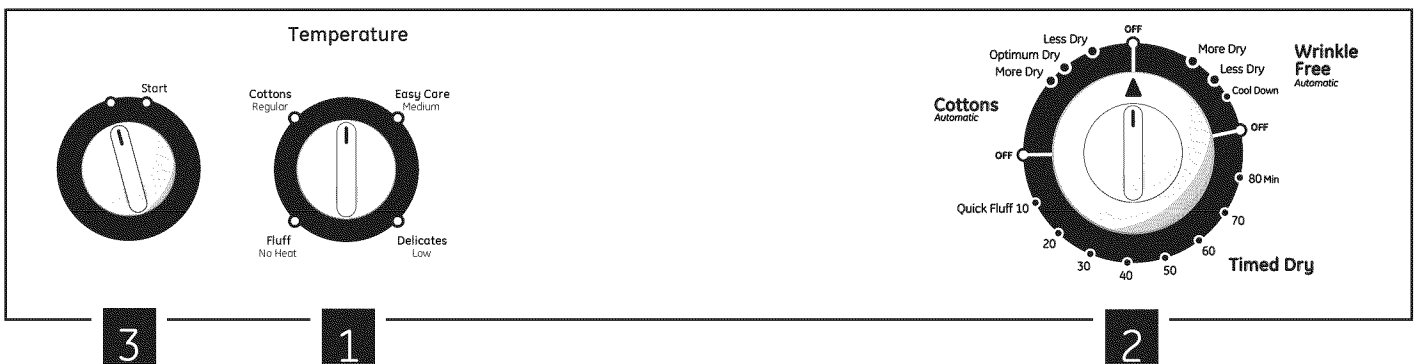
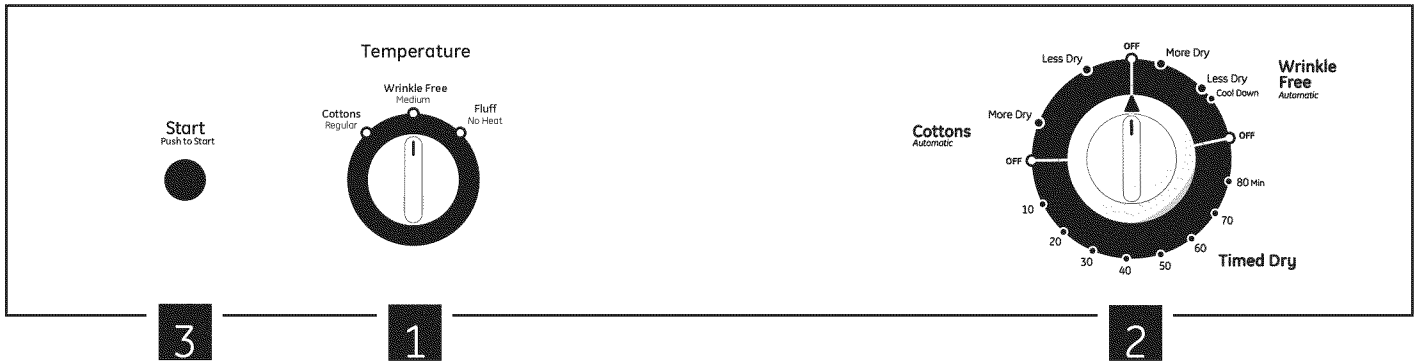
SAVE THESE INSTRUCTIONS

About the dryer control panel.

⚠ WARNING!

To reduce the risk of fire, electric shock, or injury to persons, read the **IMPORTANT SAFETY INSTRUCTIONS** before operating this appliance.

You can locate your model number on the label on the front of the dryer behind the door. Throughout this manual, features and appearance may vary from your model.



NOTE: Drying times will vary according to the type of heat used (Electric, Natural or LP gas), size of load, types of fabrics, wetness of clothes and condition of exhaust ducts.

About the control settings.

IMPORTANT: Clean the lint filter each time you use the dryer.

1 Fabric Care/Temperature (Not all features are on all models)

Cottons Regular For regular to heavy cottons.

Wrinkle Free/ Easy Care Medium For synthetics, blends, delicates and items labeled *permanent press*.

Knits/Delicates Low On some models. For delicates, synthetics and items labeled *tumble dry low*.

Fluff No Heat For fluffing items without heat. Use the **Timed Dry** cycle.

Automatic cycles automatically determine fabric dryness. Select **Less Dry** if you want your clothes slightly damp at the end of the drying cycle. Select **More Dry** if you want them to feel drier. Timed cycles run for a selected time.

2 Drying Cycles (Not all features are on all models)

Cottons For cottons and most linens. For most loads select **Optimum Dry** (on some models).

Wrinkle Free For wrinkle-free, permanent press and delicate items, and knits.

Timed Dry Set the Cycle Selector at the desired drying time.

Fluff or Quick Fluff Fluff No Heat. For freshening or fluffing up already dry clothing, fabrics, linens and pillows. Use with **Fluff No Heat**. Provides 10 minutes of no heat tumbling.

3 Start

— Close the dryer door. Select **Start**. Opening the door during operation will stop the dryer. To restart the dryer, close the door and select **Start** to complete the cycle.

About reversing the door.

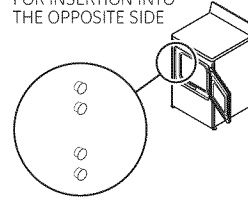
Reversing the Door

Tools needed:

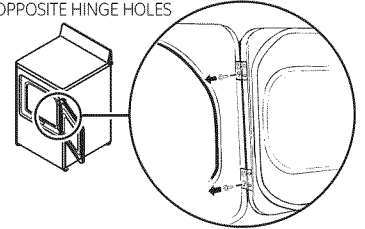
- Standard #2 Phillips screwdriver
- Tape-tipped putty knife

1 Open the door and remove the filler plugs opposite the hinges. With the door completely open, remove the bottom screw from each hinge on the dryer face. Insert these screws about half way into the **TOP** holes, for each hinge, on the opposite side (where you removed the filler plugs). Apply firm pressure to get the screw started in new holes.

REMOVE 4 PLUGS AND KEEP FOR INSERTION INTO THE OPPOSITE SIDE

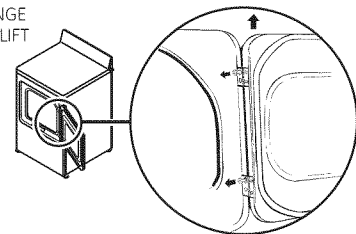


REMOVE **BOTTOM** SCREW FROM EACH HINGE AND INSTALL HALF WAY INTO EACH **TOP** OF OPPOSITE HINGE HOLES

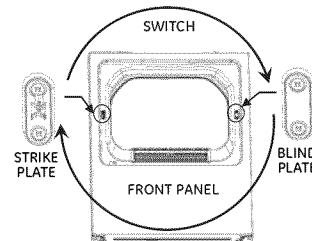


2 Loosen top screw from each hinge on the dryer face half way. With one hand holding the top of the door and the other hand holding the bottom, remove the door from the dryer by lifting it **UP** and **OUT**.

LOOSEN EACH TOP HINGE SCREW HALF WAY AND LIFT THE DOOR UP AND OFF

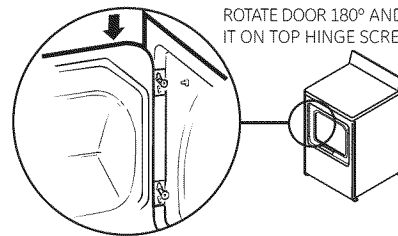


3 Remove the blind plate from the hinge side of the dryer by removing its two screws. Remove the strike plate from the opposite side of the dryer by removing its two screws. Reinstall the plates, on the opposite sides, using two screws in each plate.



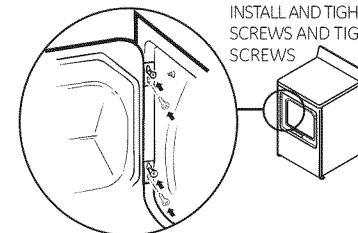
4 Rotate the door 180°. Insert it on the opposite side of the opening by moving the door **IN** and **DOWN** until the top hinge and the bottom hinge are resting on the top screws inserted in step 1.

ROTATE DOOR 180° AND HANG IT ON TOP HINGE SCREWS

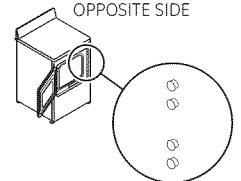


5 Remove the remaining screws from the side of the opening from which the door was removed. With these screws, secure each hinge at the bottom. Tighten the two top screws of each hinge. Reinsert the plastic plugs on the side from which the door was removed.

INSTALL AND TIGHTEN BOTTOM SCREWS AND TIGHTEN TOP SCREWS



INSERT PLUGS INTO HOLES ON OPPOSITE SIDE



Loading and using the dryer.

Always follow the fabric manufacturer's care label when laundering.



Sorting and Loading Hints

As a general rule, if clothes are sorted properly for the washer, they are sorted properly for the dryer.

Do not add fabric softener sheets once the load has become warm. They may cause fabric softener stains. Bounce® Fabric Conditioner Dryer Sheets have been approved for use in all GE Dryers when used in accordance with the manufacturer's instructions.

Do not overload. This wastes energy and causes wrinkling.

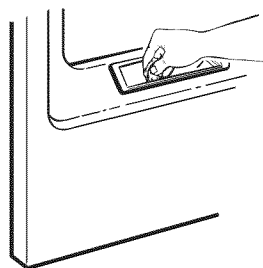
Do not dry the following items: fiberglass items, woolens, rubber-coated items, plastics, items with plastic trim and foam-filled items.



Care and Cleaning of the Dryer

The Exterior: Wipe or dust any spills or washing compounds with a damp cloth. Dryer control panel and finishes may be damaged by some laundry pretreatment soil and stain remover products. Apply these products away from the dryer. The fabric may then be washed and dried normally. Damage to your dryer caused by these products is not covered by your warranty.

The Lint Filter: Clean the lint filter before each use. Moisten your fingers and reach into the filter opening. Run your fingers across the filter. Have a qualified technician vacuum the lint from the dryer once a year.



The Exhaust Duct: Inspect and clean the exhaust ducting at least once a year to prevent clogging. A partially clogged exhaust can lengthen the drying time.

Follow these steps:

- 1 Turn off electrical supply by disconnecting the plug from the wall socket.
- 2 Disconnect the duct from the dryer.
- 3 Vacuum the duct with the hose attachment and reconnect the duct.

The Exhaust Hood: Check from the outside that the flaps of the hood move freely when operating. Make sure that there is no wildlife (birds, insects, etc.) nesting inside the duct or hood.

Loading and using the dryer.

Always follow the fabric manufacturer's care label when laundering.

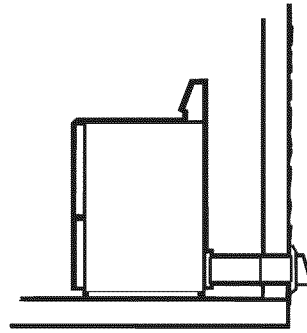
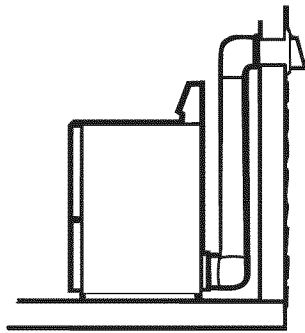


Venting the Dryer

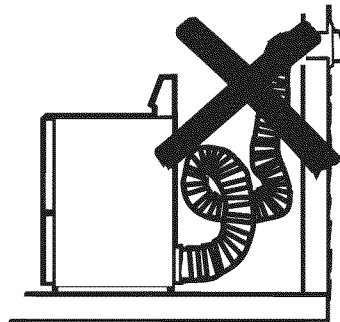
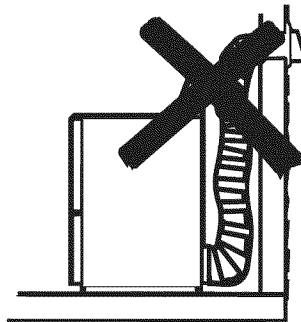
For the best drying performance, the dryer needs to be properly vented. **The dryer will use more energy and run longer if it is not vented to the below specifications. Carefully follow the details on Exhausting in the Installation Instructions.**

- Use only rigid metal 4" diameter ductwork inside the dryer cabinet. Use only rigid metal or UL listed flexible metal 4" diameter ductwork for exhausting to the outside.
- Do not use plastic or other combustible ductwork.
- Use the shortest length possible.
- Do not crush or collapse.
- Avoid resting the duct on sharp objects.
- **Venting must conform to local building codes.**

Correct Venting



Incorrect Venting



Before you call for service...



Troubleshooting Tips

Save time and money! Review the charts on the following pages, or visit Hotpoint.com. You may not need to call for service.

Problem	Possible Causes	What To Do
Dryer doesn't start	Dryer is unplugged	<ul style="list-style-type: none"> • Make sure the dryer plug is pushed completely into the outlet.
	Fuse is blown/circuit breaker is tripped	<ul style="list-style-type: none"> • Check the house fuse/circuit breaker box and replace fuse or reset breaker. NOTE: Electric dryers use two fuses or breakers.
Dryer doesn't heat	Fuse is blown/circuit breaker is tripped, the dryer may tumble but not heat	<ul style="list-style-type: none"> • Check the house fuse/circuit breaker box and replace both fuses or reset both breakers. Your dryer may tumble if only one fuse is blown or one breaker tripped.
	Gas service is off	<ul style="list-style-type: none"> • Make sure gas shutoff at dryer and main shutoff are fully open.
	LP gas supply tank is empty or there has been a utility interruption of natural gas (gas models)	<ul style="list-style-type: none"> • Refill or replace tank. Dryer should heat when utility service is restored.
Dryer shakes or makes noise	Some shaking/noise is normal. Dryer may be sitting unevenly	<ul style="list-style-type: none"> • Move dryer to an even floor space, or adjust leveling legs as necessary until even.
Greasy spots on clothes	Improper use of fabric softener	<ul style="list-style-type: none"> • Follow directions on fabric softener package.
	Drying dirty items with clean ones	<ul style="list-style-type: none"> • Use your dryer to dry only clean items. Dirty items can stain clean items and the dryer.
	Clothes were not completely clean	<ul style="list-style-type: none"> • Sometimes stains which cannot be seen when the clothes are wet appear after drying. Use proper washing procedures before drying.
Lint on clothes	Lint filter is full	<ul style="list-style-type: none"> • Clean lint screen before each load.
	Improper sorting	<ul style="list-style-type: none"> • Sort lint producers (like chenille) from lint collectors (like corduroy).
	Static electricity can attract lint	<ul style="list-style-type: none"> • See suggestions in this section under Static.
	Overloading	<ul style="list-style-type: none"> • Separate large loads into smaller ones.
	Paper, tissue, etc. left in pockets	<ul style="list-style-type: none"> • Empty all pockets before laundering clothes.
Static occurs	No fabric softener was used	<ul style="list-style-type: none"> • Try a fabric softener.
		<ul style="list-style-type: none"> • Bounce® Fabric Conditioner Dryer Sheets have been approved for use in all GE Dryers when used in accordance with the manufacturer's instructions.
	Overdrying	<ul style="list-style-type: none"> • Try a fabric softener. • Adjust setting to Less Dry or Damp Dry.
	Synthetics, permanent press and blends can cause static	<ul style="list-style-type: none"> • Try a fabric softener.
Inconsistent drying times	Type of heat	<ul style="list-style-type: none"> • Automatic drying times will vary according to the type of heat used (electric, natural or LP gas), size of load, types of fabrics, wetness of clothes and condition of exhaust ducts.

Before you call for service...



Troubleshooting Tips

<i>Problem</i>	<i>Possible Causes</i>	<i>What To Do</i>	
<i>Clothes take too long to dry</i>	Improper sorting	<ul style="list-style-type: none"> Separate heavy items from lightweight items (generally, a well-sorted washer load is a well-sorted dryer load). 	
	Large loads of heavy fabrics (like beach towels)	<ul style="list-style-type: none"> Large, heavy fabrics contain more moisture and take longer to dry. Separate large, heavy fabrics into smaller loads to speed drying time. 	
	Controls improperly set	<ul style="list-style-type: none"> Match control settings to the load you are drying. 	
	Lint filter is full	<ul style="list-style-type: none"> Clean lint filter before every load. 	
	Improper or obstructed ducting		<ul style="list-style-type: none"> Check installation instructions for proper ducting/venting. Make sure ducting is clean, free of kinks and unobstructed. Check to see if outside wall damper operates easily.
			<ul style="list-style-type: none"> Check the Installation Instructions to make sure the dryer venting is correct.
Blown fuses or tripped circuit breaker	<ul style="list-style-type: none"> Replace fuses or reset circuit breakers. Since most dryers use two fuses/breakers, make sure both are operating. 		
Overloading/combining loads	<ul style="list-style-type: none"> Do not put more than one washer load in the dryer at a time. 		
Underloading	<ul style="list-style-type: none"> If you are drying only one or two items, add a few items to ensure proper tumbling. 		
<i>Clothes are wrinkled</i>	Overdrying	<ul style="list-style-type: none"> Select a shorter drying time. Remove items while they still hold a slight amount of moisture. Select a Less Dry or Damp Dry setting. 	
	Letting items sit in dryer after cycle ends	<ul style="list-style-type: none"> Remove items when cycle ends and fold or hang immediately. 	
	Overloading	<ul style="list-style-type: none"> Separate large loads into smaller ones. 	
<i>Clothes shrink</i>	Some fabrics will naturally shrink when washed. Others can be safely washed, but will shrink in the dryer	<ul style="list-style-type: none"> To avoid shrinkage, follow garment care labels exactly. Some items may be pressed back into shape after drying. If you are concerned about shrinkage in a particular item, do not machine wash or tumble dry it. 	

Notes:

Hotpoint Dryer Warranty.



All warranty service provided by our Factory Service Centers, or an authorized Customer Care® technician. To schedule service, on-line, 24 hours a day, visit us at Hotpoint.com, or call 800.GE.CARES (800.432.2737). Please have serial number and model number available when calling for service.

Staple your receipt here.
Proof of the original purchase date is needed to obtain service under the warranty.

For The Period Of: We Will Replace:

One Year

From the date of the original purchase

Any part of the dryer which fails due to a defect in materials or workmanship. During this **limited one-year warranty**, we will also provide, **free of charge**, all labor and related service costs to replace the defective part.

What Is Not Covered:

- Service trips to your home to teach you how to use the product.
- Improper installation (including improper venting), delivery or maintenance.
- Failure of the product if it is abused, misused, or used for other than the intended purpose or used commercially.
- Replacement of the light bulb.
- Products which are not defective or broken, or which are working as described in the Owner's Manual.
- Replacement of house fuses or resetting of circuit breakers.
- Damage to the product caused by accident, fire, floods or acts of God.
- Incidental or consequential damage caused by possible defects with this appliance.
- Defects or damage due to operation in freezing temperatures.
- Damage caused after delivery.
- Product not accessible to provide required service.

EXCLUSION OF IMPLIED WARRANTIES—Your sole and exclusive remedy is product repair as provided in this Limited Warranty. Any implied warranties, including the implied warranties of merchantability or fitness for a particular purpose, are limited to one year or the shortest period allowed by law.

This warranty is extended to the original purchaser and any succeeding owner for products purchased for home use within the USA. If the product is located in an area where service by a GE Authorized Servicer is not available, you may be responsible for a trip charge or you may be required to bring the product to an Authorized GE Service location. In Alaska, the warranty excludes the cost of shipping or service calls to your home.

Some states do not allow the exclusion or limitation of incidental or consequential damages. This warranty gives you specific legal rights, and you may also have other rights which vary from state to state. To know what your legal rights are, consult your local or state consumer affairs office or your state's Attorney General.

Warrantor: General Electric Company. Louisville, KY 40225

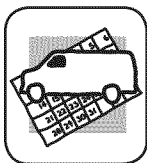
Consumer Support.



Hotpoint Website

Hotpoint.com

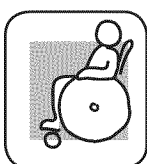
Have a question or need assistance with your appliance? Try the Hotpoint Website 24 hours a day, any day of the year! You can also shop for more great Hotpoint products and take advantage of all of our on-line support services designed for your convenience.



Schedule Service

Hotpoint.com

Expert Hotpoint repair service is only one step away from your door. Get on-line and schedule your service at your convenience 24 hours any day of the year! Or call 800.GE.CARES (800.432.2737) during normal business hours.



Real Life Design Studio

GEAppliances.com

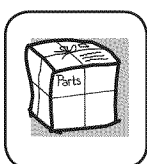
GE supports the Universal Design concept—products, services and environments that can be used by people of all ages, sizes and capabilities. We recognize the need to design for a wide range of physical and mental abilities and impairments. For details of GE's Universal Design applications, including kitchen design ideas for people with disabilities, check out our Website today. For the hearing impaired, please call 800.TDD.GEAC (800.833.4322).



Extended Warranties

GEAppliances.com

Purchase a Hotpoint extended warranty and learn about special discounts that are available while your warranty is still in effect. You can purchase it on-line anytime, or call 800.626.2224 during normal business hours. Hotpoint Consumer Home Services will still be there after your warranty expires.



Parts and Accessories

Hotpoint.com

Individuals qualified to service their own appliances can have parts or accessories sent directly to their homes (VISA, MasterCard and Discover cards are accepted). Order on-line today, 24 hours every day or by phone at 800.626.2002 during normal business hours.

Instructions contained in this manual cover procedures to be performed by any user. Other servicing generally should be referred to qualified service personnel. Caution must be exercised, since improper servicing may cause unsafe operation.



Contact Us

Hotpoint.com

If you are not satisfied with the service you receive from Hotpoint, contact us on our Website with all the details including your phone number, or write to:

General Manager, Customer Relations
Hotpoint, Appliance Park
Louisville, KY 40225



Register Your Appliance

Hotpoint.com

Register your new appliance on-line—at your convenience! Timely product registration will allow for enhanced communication and prompt service under the terms of your warranty, should the need arise. You may also mail in the pre-printed registration card included in the packing material.

Hotpoint.com

Secadoras

Instrucciones de seguridad..... 2-4

Instrucciones de operación

Ajustes de control..... 6
 Cómo cambiar la puerta..... 7
 Cómo cargar e usar la secadora..... 8, 9
 Tablero de control
 de la secadora..... 5
 Ventilación de la secadora9

**Solución a problemas
 comunes**..... 10, 11

Soporte al consumidor

Garantía 13
 Soporte al consumidor 14

Manual del
 propietario

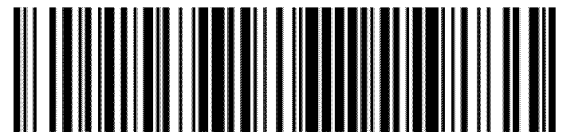


**Escriba los números del
 modelo y de serie aquí:**

No. de modelo _____

No. de serie _____

Estos números se encuentran
 en una etiqueta en la parte
 frontal de la secadora, detrás
 de la puerta.



234D2238P003 49-90506 10-13 GE

INFORMACIÓN IMPORTANTES DE SEGURIDAD. LEA TODAS LAS INSTRUCCIONES ANTES DE USAR.

49-90506

⚠ ¡ADVERTENCIA!

Por su seguridad, debe seguir las indicaciones de este manual para minimizar el riesgo de incendio o explosión, descarga eléctrica, o para evitar daños a la propiedad, lesiones personales, o muerte.

- No almacene ni use gasolina u otros vapores inflamables y líquidos en las proximidades de este o cualquier otro electrodoméstico.
- La instalación y el servicio lo deben llevar a cabo un instalador calificado, la agencia de servicio o el proveedor de gas.

QUÉ HACER SI USTED HUELE GAS:

- 1 No intente encender un fósforo, o un cigarrillo, o encender cualquier electrodoméstico eléctrico o de gas.
- 2 No toque ningún interruptor eléctrico; no use ningún teléfono en el edificio.
- 3 Desocupe el habitación, edificio o área afectada.
- 4 Llame inmediatamente a su proveedor de gas usando el teléfono de algún vecino. Siga las instrucciones del proveedor de gas cuidadosamente.
- 5 Si usted no puede ponerse en contacto con su proveedor de gas, llame al departamento de bomberos.

Decreto para hacer cumplir las leyes sobre tóxicos y agua potable de California

Este decreto requiere que el Gobernador de California publique una lista de las sustancias que el estado sabe que causan cáncer, defectos de nacimiento y otros daños reproductivos y requiere que los comerciantes le adviertan a sus consumidores sobre el potencial de exposición a tales sustancias.

Los electrodomésticos de gas pueden causar la exposición a cuatro de estas sustancias, concretamente benceno, monóxido de carbono, formaldehído y hollín, principalmente causados por la combustión incompleta del gas natural o de combustibles LP.

Cuando las secadoras están ajustadas apropiadamente, se minimiza la combustión incompleta. La exposición a estas sustancias puede minimizarse aún más ventilando apropiadamente la secadora hacia el exterior.



INSTALACIÓN APROPIADA

Antes de usarse, la secadora se debe instalar apropiadamente de acuerdo con las Instrucciones de instalación. Si no ha recibido una hoja de Instrucciones de instalación, puede obtener una copia visitando Hotpoint.com o llamando al **800.GE.CARES** (800.432.2737).

- Conecte la secadora a tierra de manera apropiada que cumpla con todos los códigos y ordenanzas reguladoras. Siga con cuidado las Instrucciones de instalación.
- Instálela o almacénela donde no esté expuesta a temperaturas por debajo del punto de congelación o expuesta a la intemperie, lo que podría ocasionar daños permanentes e invalidar la garantía.
- Conecte a un tomacorriente del tamaño y del calibre apropiados para evitar una sobrecarga eléctrica.
- Remueva todos los objetos de empaquetado y deshágase apropiadamente de todos los materiales de envío.

Escape/Ductos:

- 1 Las secadoras DEBEN contar con escape al exterior para impedir que grandes volúmenes de humedad y pelusa ingresen a la habitación.
- 2 Utilice únicamente ducto de metal rígido de 4" de diámetro en el interior del gabinete de la secadora y utilice únicamente ducto de metal rígido de 4" de diámetro, o con aprobación de UL en el ducto de transición entre la secadora y el ducto del hogar.
EL USO DE DUCTOS PLÁSTICOS U OTROS DUCTOS DE MATERIALES COMBUSTIBLES PODRÍA CAUSAR UN INCENDIO. LOS DUCTOS PERFORADOS PODRÍAN CAUSAR UN INCENDIO SI COLAPSAN O SI OCURRE ALGUNA OBSTRUCCIÓN DURANTE EL USO O DURANTE LA INSTALACIÓN.

Para los detalles completos, siga las Instrucciones de instalación.

⚠ ¡ADVERTENCIA! SU ÁREA DE SECADO



- Mantenga el área debajo y alrededor de sus electrodomésticos libre de materiales combustibles (pelusas, papel, trapos, etc.), gasolina, productos químicos y otros líquidos y vapores inflamables.
- Mantenga el piso alrededor de sus electrodomésticos limpios y secos para reducir la posibilidad de un accidente.
- Supervise a los niños en caso de que ellos usen la secadora o jueguen cerca de ella durante su operación. No permita que los niños jueguen con la secadora, en su interior, sobre ella o ningún otro electrodoméstico.
- Mantenga todos los artículos de limpieza (tales como detergentes y blanqueadores) fuera del alcance de los niños, preferiblemente encerrados en un gabinete. Ponga atención a las advertencias en las etiquetas de los envases para evitar accidentes.
- Mantenga el área alrededor de la salida y las áreas cercanas libres de acumulación de pelusas, polvillo y suciedad.
- Nunca trepe ni se ponga de pie sobre la parte superior de la secadora.



CUANDO USE SU SECADORA

- Nunca introduzca sus manos en el interior de la secadora mientras el tambor giratorio esté moviéndose. Antes de agregar y sacar ropa, espere hasta que el tambor giratorio se haya detenido.
- Limpie el filtro de pelusas antes de cada carga para evitar la acumulación de pelusas en el interior de la secadora o en la habitación. **NO OPERE LA SECADORA SIN EL FILTRO DE PELUSAS EN SU LUGAR.**
- No lave o seque artículos que se hayan limpiado, lavado, remojado o salpicado con sustancias combustibles o explosivas (tales como cera, aceite, pintura, gasolina, desengrasadores, solventes de tintorería, kerosene). Estas sustancias producen vapores que podrían incendiarse o explotar. No agregue estas sustancias al agua de lavado. No use ni coloque estas sustancias alrededor de la lavadora o secadora durante su uso.
- No coloque artículos expuestos a aceite de cocinar en la secadora. Los artículos contaminados con aceites de cocinar podrían contribuir a formar una reacción química que podría causar que una carga de ropas se incendie.
- Cualquier artículo sobre el cual usted usó un solvente de limpieza o que contenga materiales inflamables (tales como paños de limpieza, trapeadores, toallas usadas en salones de belleza, restaurantes o barberías) no se deben colocar en el interior o en las proximidades de la secadora hasta que los solventes o líquidos inflamables se hayan removido. Existen muchos artículos inflamables en el hogar tales como la acetona, el alcohol, la gasolina, el kerosene, algunos limpiadores, algunos quitamanchas, aguarrás, trementina, ceras, removedores de cera y productos que contengan derivados del petróleo.
- El proceso de lavado puede reducir la habilidad de retardar la flamabilidad de algunas telas. Para evitar tal resultado, siga las instrucciones del fabricante de las telas con mucho cuidado.
- No seque artículos que contengan goma, plástico, espuma o materiales similares tales como sostenes (brasieres) con relleno, ganchos de goma, alfombras de baño, baberos de niño, pantalones de niño, bolsas plásticas y almohadas que se puedan derretir o quemar. Algunos materiales gomosos, cuando se calientan, bajo ciertas circunstancias podrían incendiarse por combustión espontánea.
- Durante su operación, no almacene encima de la secadora plásticos, papel o ropa que se puedan quemar o derretir.
- Las prendas de vestir etiquetadas “*Dry away from heat*” (*Secar alejadas del calor*) o “*Do not tumble dry*” (*No secar por giro*)—tales como chaquetas salvavidas que contienen capoc— no se deben colocar en su secadora.
- No seque artículos de fibra de vidrio en su secadora. Esto podría ocasionar irritación en la piel debido a las partículas restantes que se podrían adherir a la ropa durante usos subsecuentes de la secadora.
- Para minimizar la posibilidad de una descarga eléctrica, desconecte éste electrodoméstico de su tomacorriente o desconecte la secadora del panel de distribución eléctrica del edificio removiendo el fusible o desconectando el circuito antes de dar cualquier tipo de mantenimiento o limpieza (con la excepción de remover y limpiar el filtro de la pelusa). **NOTA:** accionar la perilla Selectora de ciclo a una posición de apagado (Off) o apretar PAUSE (PAUSA), **NO** desconecta el electrodoméstico de la fuente de alimentación eléctrica.
- No obstruya el flujo del aire ventilado. No apile, no coloque ropa, no eche alfombras al frente o al respaldo de la secadora.

⚠ ¡ADVERTENCIA!



CUANDO USE SU SECADORA (cont.)

- Nunca intente operar éste electrodoméstico si está dañado, si no funciona bien, si está parcialmente desarmado, o si le faltan partes o éstas están rotas, incluyendo daños al cable eléctrico.
- El interior de la máquina y la conexión del tubo de escape en el interior de la secadora se deben limpiar por lo menos una vez al año por parte de un técnico calificado. Ver la sección Cómo usar la secadora.
- Si su secadora es de gas, ésta está equipada con un encendido eléctrico automático y no necesita una luz piloto. **NO INTENTE ENCENDERLA CON UN FÓSFORO.** Podrían resultar quemaduras por tener su mano en las cercanías del quemador cuando el encendido eléctrico automático comience.
- Es posible que usted desee suavizar su ropa o reducir la electricidad estática en ella usando una toalla suavizante para secadora o un acondicionador antiestático. Recomendamos que usted use un suavizante de telas en el ciclo de lavado, de acuerdo con las instrucciones del fabricante para estos productos, o trate un producto en el que el fabricante le proporcione una garantía escrita en el paquete especificando que es seguro para usar en las secadoras. Los problemas de servicio o de rendimiento causados por estos productos son responsabilidad de los fabricantes de estos productos y no están cubiertos por la garantía de éste electrodoméstico.
- Nunca atomice cualquier tipo de aerosol en, sobre o cerca de la secadora. No use ningún tipo de limpiador aerosol al limpiar el interior de la secadora. Humos peligrosos o choque eléctrico pueden ocurrir.



CUANDO NO SE ENCUENTRE USANDO SU SECADORA

- Cuando desconecte éste electrodoméstico, agarre el enchufe firmemente para evitar daños al cable eléctrico mientras lo hale. Coloque el cable eléctrico en un lugar alejado de las áreas de tráfico para que nadie lo pise, tropiece o lo pueda dañar.
- No intente hacer reparaciones o reemplazar ninguna parte de éste electrodoméstico ni intente llevar a cabo ningún tipo de servicio a no ser que lo recomiende el Manual del propietario o instrucciones publicadas que usted entienda y tenga la habilidad de llevar a cabo.
- Antes de desechar esta secadora o de removerla para darle servicio, remueva la puerta de la secadora para evitar que algún niño se esconda en su interior.
- No intente alterar los controles.



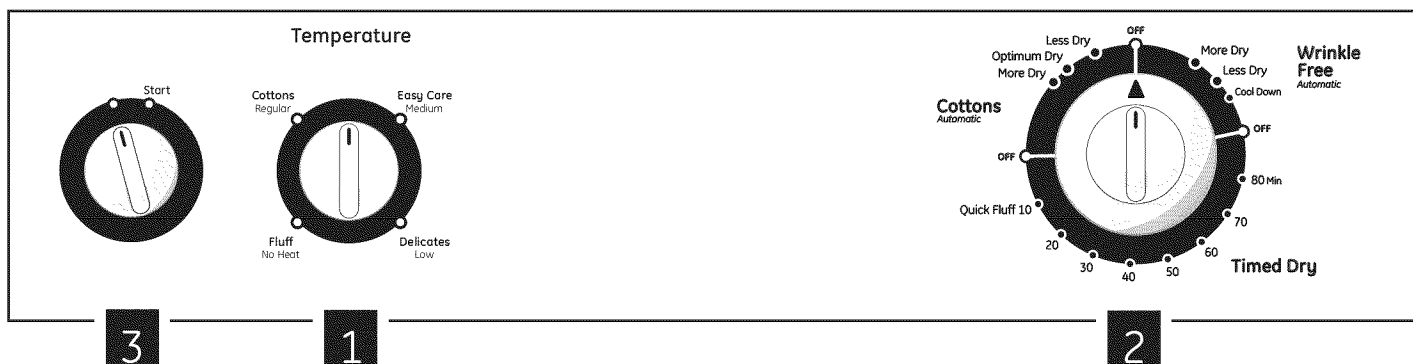
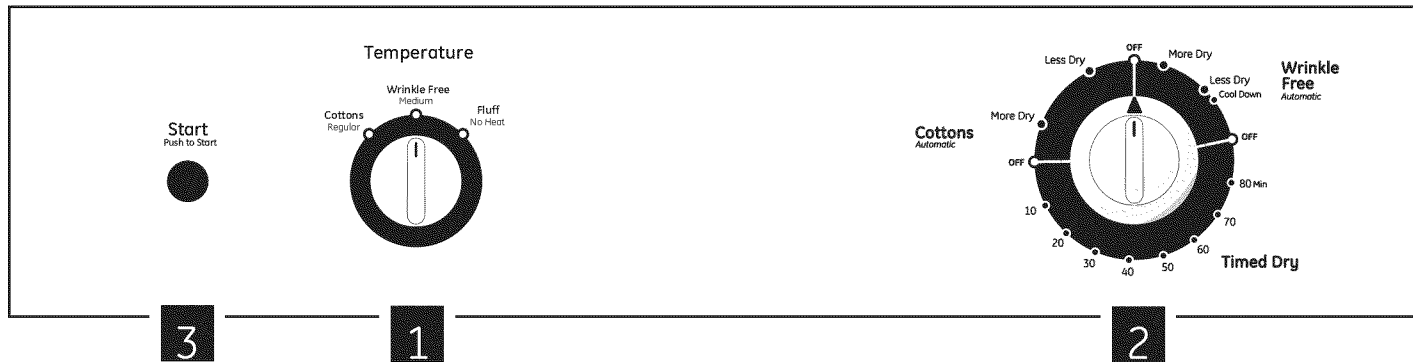
LEA Y SIGA ESTA INFORMACIÓN DE SEGURIDAD CON MUCHO CUIDADO.

GUARDE ESTAS INSTRUCCIONES

⚠ ¡ADVERTENCIA!

Para reducir el riesgo de incendio, descarga eléctrica o lesiones a personas, lea las INSTRUCCIONES IMPORTANTES DE SEGURIDAD antes de utilizar este aparato.

Puede ubicar su número de modelo en la etiqueta de la parte frontal de la secadora, detrás de la puerta. A lo largo de este manual, las funciones y la apariencia podrían ser diferentes a su modelo.



NOTA: los tiempos de secado variarán de acuerdo al tipo de calor utilizado (eléctrico, natural o gas LP), volumen de carga, tipo de telas, nivel de humedad de la ropa y estado de los conductos de escape.

IMPORTANTE: limpie el filtro de pelusa cada vez que utilice la secadora.

1 **Cuidado de las telas/Temperatura** (No todas las características están en todos los modelos)

Cottons Regular (Agodones Regular) Para telas de algodón de normales a pesadas.

Wrinkle Free/
Easy Care Medium (Artículos Sin Las Arrugas/
Cuidado fácil Medio) Para telas sintéticas, tejidos de mezcla y artículos etiquetados como de permanent press (planchado permanente).

Knits/Delicates Low (Artículos Tejidos/
Prendas Delicadas Bajo) En algunos modelos. Para artículos delicados, de tela sintética y etiquetados como tumble dry low (centrifugado de secado lento).

Fluff No Heat (Esponjado Sin Calor) Para esponjar artículos sin utilizar calor. Use el ciclo de **Timed Dry** (**Secado Cronometrado**).

Los ciclos automáticos detectan automáticamente el nivel de sequedad de las telas. Seleccione **Less Dry (Menos Seco)** si desea que sus prendas permanezcan levemente húmedas al final del ciclo de secado. Seleccione **More Dry (Más Seco)** si desea que tengan un tacto más seco. Los ciclos cronometrados se ejecutan durante un período determinado de tiempo.

2 **Ciclos de secado** (No todas las características están en todos los modelos)

Cottons (Algodones) Para telas de algodón y la mayoría de las telas de hilo. Para la mayoría de las cargas, seleccione **Optimum Dry (Secado Óptimo)** (en algunos modelos).

Wrinkle Free (Artículos Sin Las Arrugas) Para artículos que no se arrugan, planchado permanente y delicados, así como artículos tejidos.

Timed Dry (Secado Cronometrado) Programe el Cycle Selector (Selector de ciclo) al tiempo de secado deseado.

Fluff or Quick Fluff (Esponjado o Esponjado Rápido). Para esponjar o refrescar prendas, telas, telas de hilo y almohadas que ya se encuentran secas. Use la opción de **Fluff No Heat (Esponjado Sin Calor)**. Proporciona 10 minutos de centrifugado sin calor.

3 Inicio—Cierre la puerta de la secadora. Seleccione **Start (Iniciar)**. Abrir la puerta durante la operación detendrá la secadora. Para reiniciar la secadora, cierre la puerta y seleccione **Start (Iniciar)** para completar el ciclo.

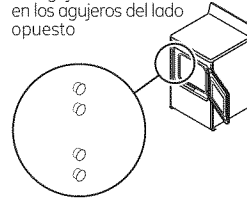
Cómo cambiar el sentido de apertura de la puerta

Herramientas necesarias:

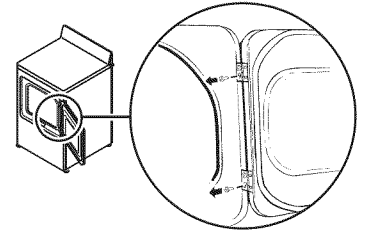
- Destornillador de estrella n.º 2 estándar
- Espátula de masilla cubierta de cinta en la punta

1 Abra la puerta y remueva los tapones del lado opuesto a las bisagras. Con la puerta completamente abierta, remueva el tornillo inferior de cada bisagra en la cara de la secadora. Inserte los tornillos hasta la mitad en los agujeros **SUPERIORES**, para cada bisagra, en el lado opuesto (de donde usted removió los tapones). Aplique presión firme para que los tornillos abran.

Retire los 4 tapones de los agujeros e instálelos en los agujeros del lado opuesto

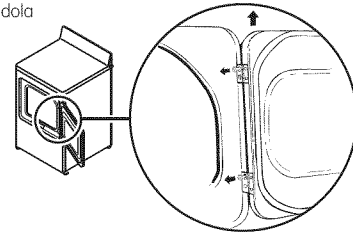


Desatornillar los tornillos inferiores de cada bisagra y atornillarlos en el lado opuesto en el orificio superior de cada bisagra solo la mitad del tornillo.

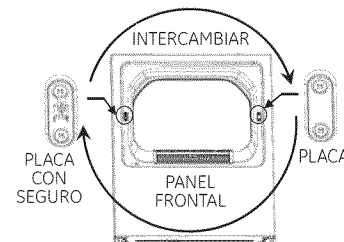


2 Afloje hasta la mitad el tornillo superior de cada bisagra de la cara de la secadora. Con una mano sosteniendo la parte superior de la puerta y con la otra mano sosteniendo la parte inferior, remueva la puerta de la secadora **LEVANTÁNDOLA** y **HALÁNDOLA**.

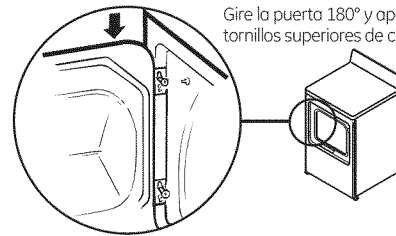
Retire la puerta levantándola y jalándola hacia lado opuesto de las bisagras, desatornille los tornillos que quedaron.



3 Remueva la placa que se encuentra del lado de las bisagras removiendo los dos tornillos, remueva la placa con seguro que se encuentra del lado opuesto removiendo los dos tornillos. Vuelva a ensamblar la placa y la placa con seguro invirtiendo ambas partes y utilizando los tornillos que se removieron previamente.

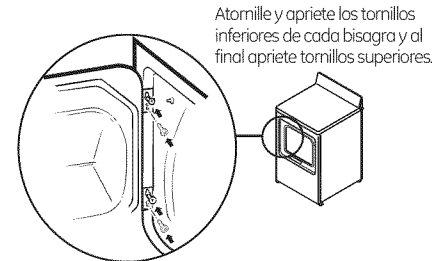


4 Gire la puerta 180°. Inserte la puerta en el lado opuesto de la apertura poniendo la puerta hacia **ADENTRO** y hacia **ABAJO** hasta que la bisagra superior y la inferior estén sobre los tornillos superiores insertados en el Paso 1.



Gire la puerta 180° y apóyela sobre los tornillos superiores de cada bisagra

5 Remueva los tornillos restantes del lado de la apertura del que la puerta se removió. Con estos tornillos, asegure las bisagras en la parte inferior. Apriete los dos tornillos superiores de cada bisagra. Reinserte los tapones en el lado de donde la puerta se removió.



Atornille y apriete los tornillos inferiores de cada bisagra y al final apriete tornillos superiores.

Ensamble los 4 tapones en los orificios del lado opuesto

Siempre siga las instrucciones del fabricante de la ropa cuando lave.



Ideas para la clasificación y carga de la ropa

Como regla general, si la ropa es clasificada apropiadamente para la lavadora, estará clasificada apropiadamente para la secadora.

No agregue toallitas suavizantes una vez la ropa se haya calentado. Esto podría causar que la ropa se manche. Las toallitas suavizantes acondicionadoras Bounce® se han aprobado para usarse con todas las secadoras GE de acuerdo con las instrucciones del fabricante.

No sobrecargue. Esto desperdicia energía y causa arrugas.

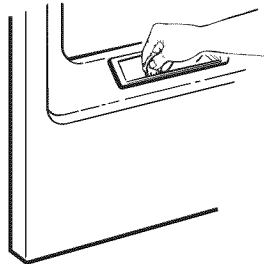
No seque los siguientes artículos: artículos de fibra de vidrio, prendas de lana que no sean lavables, artículos con recubrimientos de goma, plásticos, artículos con bordes plásticos o rellenos de espuma.



Cuidado y limpieza de la secadora

El exterior: Pásele un trapo y elimine el polvo o cualquier derrame de productos de lavandería con un trapo húmedo. Los productos de tratamiento para quitar mugre y manchas podrían dañar el tablero de control de la secadora y afectar su apariencia. Aplique estos productos a cierta distancia de la secadora. Luego las telas podrán lavarse y secarse normalmente. Los daños causados a la secadora por estos productos no están cubiertos bajo su garantía.

Filtro de pelusa: limpie el filtro de pelusa antes de cada uso. Humedezca sus dedos y métalos por la ranura del filtro. Pase sus dedos por el filtro. Pida a un técnico calificado que aspire la pelusa de la secadora una vez al año.



El conducto de escape: inspeccione y limpie el conducto de escape al menos una vez al año para prevenir taponamientos. Un escape parcialmente taponado podría prolongar el periodo de secado.

Siga estos pasos:

- 1 Corte el suministro eléctrico desconectando el enchufe del tomacorriente de pared.
- 2 Desconecte el conducto de la secadora.
- 3 Aspire el conducto con la conexión de manguera y vuelva a conectar el conducto.

La salida de escape: desde el exterior, revise que las lengüetas de la cubierta se muevan libremente al estar en funcionamiento. Asegúrese de que ningún animal (pájaros, insectos, etc.) haya hecho su nido en el interior del conducto o en la salida de escape.

Siempre siga las instrucciones del fabricante de la ropa cuando lave.

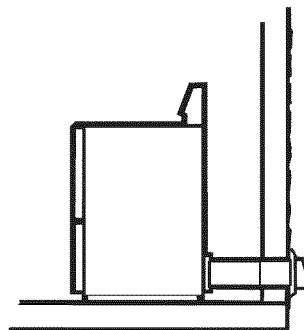
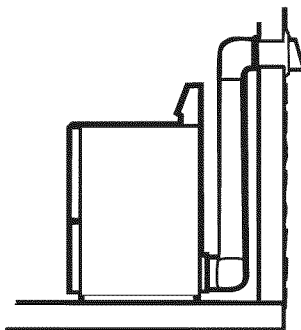


Ventilación de la secadora

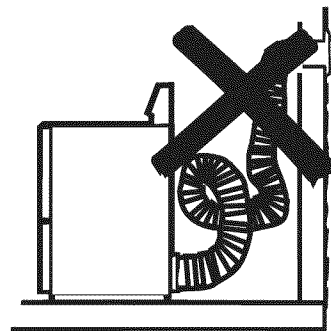
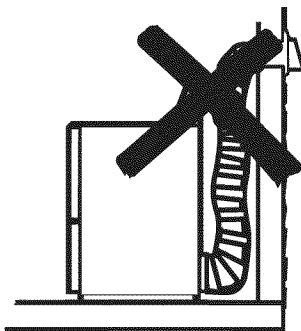
Para obtener el mejor desempeño, la secadora necesita tener una ventilación adecuada. **La secadora consumirá más energía y tendrá que funcionar durante un tiempo más prolongado si no cuenta con ventilación de acuerdo a las especificaciones indicadas más abajo. Siga cuidadosamente los detalles sobre Escape indicados en las Instrucciones de instalación.**

- Utilice únicamente ducto de metal rígido de 4" de diámetro en el interior del gabinete de la secadora. Utilice únicamente ducto de metal rígido o ducto flexible de metal de 4" de diámetro con aprobación UL para ducto de ventilación hacia el exterior.
- No utilice plástico u otra red de conductos de material combustible.
- Use la longitud más corta posible.
- No aplaste ni pliegue.
- Evite descansar el conducto sobre objetos filosos.
- **La ventilación debe cumplir con los códigos de construcción locales.**

Ventilación adecuada



Ventilación inadecuada





Solución de problemas

¡Ahorre tiempo y dinero! Revise las tablas en las páginas siguientes o visítenos a Hotpoint.com. Tal vez no necesite llamar al servicio técnico.

Problema	Causas probables	Qué hacer
La secadora no arranca	La secadora está desenchufada	<ul style="list-style-type: none"> Asegúrese de que el enchufe esté completamente introducido en el tomacorriente.
	Fusible quemado/cortacircuitos desconectado	<ul style="list-style-type: none"> Revise la caja de fusibles/cortacircuitos y reemplace el fusible o reconecte el cortacircuitos. NOTA: secadoras eléctricas usan dos fusibles/cortacircuitos.
La secadora no calienta ambos	Fusible quemado/cortacircuitos desconectado; es posible que la secadora gire pero no caliente	<ul style="list-style-type: none"> Revise la caja de fusibles/cortacircuitos y reemplace fusibles o reconecte ambos cortacircuitos. Su secadora podría girar si se ha quemado únicamente un fusible o se ha desconectado un solo cortacircuitos.
	Se ha cortado el suministro de gas	<ul style="list-style-type: none"> Asegúrese de que la válvula de cierre en la secadora y la válvula maestra estén completamente abiertas.
	El tanque de suministro de gas LP está vacío o se ha producido una interrupción del suministro de gas natural (modelos a gas)	<ul style="list-style-type: none"> Rellene o cambie el tanque. La secadora deberá calentarse cuando se reinstaure el suministro.
La secadora tiembla o produce ruido	Un poco de temblor/ruido es normal. La secadora podría estar desnivelada	<ul style="list-style-type: none"> Coloque la secadora en un lugar con piso nivelado, o ajuste las patas niveladoras como sea necesario hasta que estén niveladas.
Manchas de grasa en las prendas	Uso inapropiado de suavizante de telas	<ul style="list-style-type: none"> Siga las instrucciones en el envase del suavizante de telas.
	Secado de artículos sucios con limpios	<ul style="list-style-type: none"> Utilice su secadora para secar únicamente artículos limpios. Los artículos sucios pueden manchar los artículos limpios y la secadora.
	Las prendas no están completamente limpias	<ul style="list-style-type: none"> Algunas manchas que no se pueden ver cuando las prendas están mojadas aparecen después del secado. Utilice procedimientos apropiados de lavado antes del secado.
Pelusa en las prendas	El filtro de pelusa está lleno	<ul style="list-style-type: none"> Limpie el filtro antes de cada carga.
	Clasificación incorrecta	<ul style="list-style-type: none"> Clasifique las prendas que producen pelusa (como la felpilla) de las que juntan pelusa (como la pana).
	La electricidad estática puede atraer pelusa	<ul style="list-style-type: none"> Consulte las sugerencias en esta sección bajo Estática.
	Carga excesiva	<ul style="list-style-type: none"> Separe las cargas más grandes en grupos de menor tamaño.
	Papel, pañuelos de papel, etc., olvidados en los bolsillos	<ul style="list-style-type: none"> Vacíe todos los bolsillos antes de lavar las prendas.
Se produce estática	No se utilizó ningún tipo de suavizante de telas	<ul style="list-style-type: none"> Intente utilizar un suavizante de telas. Bounce® Fabric Conditioner Dryer Sheets (Suavizante de telas en láminas para secadora de Bounce) ha sido aprobado para ser usado en Secadoras GE siempre y cuando se usen de acuerdo con las instrucciones del fabricante.
	Secado excesivo	<ul style="list-style-type: none"> Intente utilizar un suavizante de telas. Programe el ajuste a Less Dry (Menos Seco) o Damp Dry (Secado Húmedo).
	Sintéticos, planchado permanente y tejidos de mezcla pueden causar estática	<ul style="list-style-type: none"> Intente utilizar un suavizante de telas.



Solución de problemas

Problema	Causas probables	Qué hacer
Períodos de secado diferentes tamaño	Tipo de calor	<ul style="list-style-type: none"> Los períodos de secado automático pueden variar según el tipo de calor utilizado (eléctrico, gas natural o LP), de la carga, tipos de telas, humedad de las prendas y el estado de los conductos de escape.
Secar las prendas toma demasiado tiempo	Clasificación de carga inadecuada	<ul style="list-style-type: none"> Separe los artículos pesados de los livianos (generalmente una carga de lavado bien clasificada es una carga de secado bien clasificada).
	Cargas grandes de telas pesadas (como toallas de playa)	<ul style="list-style-type: none"> Las telas grandes y pesadas contienen más humedad y tardan más tiempo en secar. Separe las telas grandes y pesadas en cargas de menor tamaño para agilizar el plazo de secado.
	Los controles no están programados correctamente	<ul style="list-style-type: none"> Coordine los ajustes de control con la carga que está secando.
	El filtro de pelusa está lleno	<ul style="list-style-type: none"> Limpié el filtro de pelusa antes de cada carga.
	Conductos inadecuados u obstruidos	<ul style="list-style-type: none"> Revise las instrucciones de instalación para sistemas de conductos/ventilación correctos. Asegúrese de que los conductos estén limpios, libres de deformaciones y sin obstrucciones. Compruebe que ventanita al exterior se abra y cierre con facilidad. Revise las Instrucciones de instalación para asegurar que el sistema de ventilación de la secadora sea correcto.
	Fusibles quemados/ cortacircuitos desconectado	<ul style="list-style-type: none"> Reemplace los fusibles o reconecte los cortacircuitos. Ya que la mayoría de secadoras utilizan 2 fusibles/ cortacircuitos, asegúrese de que ambos se encuentren funcionando.
	Carga excesiva/ combinación de cargas	<ul style="list-style-type: none"> No coloque más de una carga de la lavadora en la secadora al mismo tiempo.
	Carga reducida	<ul style="list-style-type: none"> Si está secando sólo uno o dos artículos, añada varios artículos para asegurar un centrifugado apropiado.
Las prendas están arrugadas	Secado excesivo	<ul style="list-style-type: none"> Seleccione un tiempo de secado más corto. Retire los artículos cuando aún estén un poco húmedos. Ajuste el programa a Less Dry (Menos Seco) o Damp Dry (Secado Húmedo).
	Dejar que los artículos permanezcan en la secadora después de que haya terminado el ciclo	<ul style="list-style-type: none"> Retire los artículos cuando finalice el ciclo y doble o cuélguelos inmediatamente.
	Carga excesiva	<ul style="list-style-type: none"> Separe las cargas grandes en cargas más pequeñas.
Las prendas se encogen	Algunas telas se encogen de manera natural cuando se lavan. Otras pueden lavarse sin problemas, pero se encogerán en la secadora	<ul style="list-style-type: none"> Para evitar que se encojan las prendas, siga lo indicado en las etiquetas de las mismas cuidadosamente. Algunos artículos pueden plancharse nuevamente a su forma original después de secarlos. Si tiene dudas sobre la posibilidad de encogimiento de un artículo en particular, no lo lave a máquina ni seque con centrifugado.

Garantía de secadora Hotpoint.

49-90506



Todo el servicio de garantía es proporcionado por los Centros de servicio de factoría o por un Técnico de Servicio (Customer Care®) autorizado. Para planificar servicio en internet, 24 horas al día, visítenos a Hotpoint.com o llame a 800.GE.CARES (800.432.2737). Cuando llame para solicitar servicio, por favor tenga a mano el número de serie y el número de modelo.

Engrape su recibo aquí. Se necesita un comprobante de fecha de compra para obtener servicio bajo la garantía.

Por el período de: Reemplazaremos:

Un año

De la fecha de la compra original

Cualquier parte de la secadora que falle debido a defectos en los materiales o en la fabricación. Durante este **garantía limitada de un año**, también proporcionaremos, **sin costo alguno**, toda mano de obra y servicios relacionados con el reemplazo de las partes defectuosas.

Lo que no está cubierto:

- Viajes del personal de servicio a su casa para enseñarle cómo usar su producto.
- Instalación, entrega o mantenimiento inapropiada.
- Fallas del producto si es maltratado, mal usado, o usado para un propósito diferente del que se creó o si es usado para usos comerciales.
- Reemplazo de la bombilla.
- Productos que no sean defectuosos ni estén dañados, o que funcionen según el Manual del propietario.
- Cambio de los fusibles de su casa o reajuste del circuito de interruptores.
- Daños al producto causados por accidentes, incendios, inundaciones o actos de la naturaleza.
- Daños imprevistos resultantes causados por posibles defectos con este electrodoméstico.
- Defectos o daños debido a la puesta en funcionamiento en temperaturas de congelamiento.
- Daños causados después del envío.
- Producto no accesible para facilitar el servicio requerido.

EXCLUSIÓN DE GARANTÍAS IMPLÍCITAS—Su único y exclusivo derecho es la reparación del producto, tal y como se indica en esta Garantía limitada. Cualquier garantía implícita, incluyendo las garantías implícitas de comerciabilidad o adecuación para un fin determinado, están limitadas a un año o el período de tiempo más breve permitido por la ley.

Esta garantía se extiende al comprador original y cualquier comprador posterior de productos comprados para uso residencial dentro de Estados Unidos. Si el producto está situado en un área que no dispone de servicio por parte de un proveedor de servicio autorizado de GE, podría tener que hacerse cargo de los costes de envío o bien podría solicitársele que lleve el producto a un centro de servicio de GE autorizado para realizar la reparación. En Alaska, la garantía excluye el costo de envío o las visitas de servicio a su casa.

Algunos estados no permiten la exclusión o las limitaciones de daños incidentales o consecuenciales. Esta garantía da derechos legales específicos, y usted podría tener otros derechos que variarán de estado a estado. Para saber cuáles son sus derechos legales, consulte a la oficina de asuntos del consumidor local o la oficina del Attorney General en su localidad.

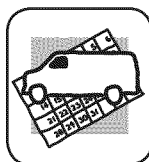
Garante: General Electric Company. Louisville, KY 40225



Página Web de Hotpoint Appliances

Hotpoint.com

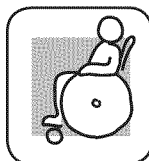
¿Tiene alguna pregunta sobre su electrodoméstico? ¡Pruebe la página Web de Hotpoint Appliances 24 horas al día, cualquier día del año! También puede adquirir más fantásticos productos Hotpoint y aprovechar nuestros servicios de soporte en línea los cuales se han diseñado para su comodidad.



Solicite una reparación

Hotpoint.com

El servicio de expertos Hotpoint está a tan sólo un paso de su puerta. Visite la página Web y solicite su reparación en línea cuando usted prefiera 24 horas al día, cualquier día del año! O llame al 800.GE.CARES (800.432.2737) durante horas normales de oficina para solicitar su reparación.



Real Life Design Studio (Estudio de diseño para la vida real) **GEAppliances.com**

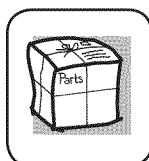
GE apoya el concepto de Diseño Universal—productos, servicios y ambientes que pueden usar gente de todas las edades, tamaños y capacidades. Reconocemos la necesidad de diseñar para una gran gama de habilidades y dificultades físicas y mentales. Para más detalles sobre las aplicaciones de GE Diseño Universal, incluyendo ideas de diseño para la cocina para personas con discapacidades, mire nuestra página Web hoy mismo. Para personas con dificultades auditivas, favor de llamar al 800.TDD.GEAC (800.833.4322).



Garantías ampliadas

GEAppliances.com

Compre una garantía ampliada Hotpoint y obtenga detalles sobre descuentos especiales disponibles mientras su garantía está aún activa. Puede comprarla en línea en cualquier momento, o llamar al (800.626.2224) durante horas normales de oficina. Hotpoint Consumer Home Services estará aún ahí cuando su garantía termine.



Piezas y accesorios

Hotpoint.com

Aquellos individuos con la calificación necesaria para reparar sus propios electrodomésticos pueden pedir que se les manden las piezas o accesorios directamente a sus hogares (aceptamos las tarjetas VISA, MasterCard y Discover). Haga su pedido en línea hoy, 24 horas cada día o llamar por teléfono al 800.626.2002 durante horas normales de oficina.

Las instrucciones descritas en este manual cubren los procedimientos a seguir por cualquier usuario. Cualquier otra reparación debería, por regla general, referirse a personal calificado autorizado. Debe ejercerse precaución ya que las reparaciones incorrectas pueden causar condiciones de funcionamiento inseguras.



Póngase en contacto con nosotros

Hotpoint.com

Si no está satisfecho con el servicio que recibe de Hotpoint, póngase en contacto con nosotros en nuestra página Web indicando todos los detalles así como su número de teléfono o escríbanos a:

General Manager, Customer Relations
Hotpoint, Appliance Park
Louisville, KY 40225



Registre su electrodoméstico

Hotpoint.com

¡Registre su nuevo electrodoméstico en línea—cuando usted prefiera! El registrar su producto a tiempo le proporcionará, si surgiera la necesidad, una mejor comunicación y un servicio más rápido bajo los términos de su garantía. También puede enviar su tarjeta de registro pre-impresa que se incluye en el material de embalaje.