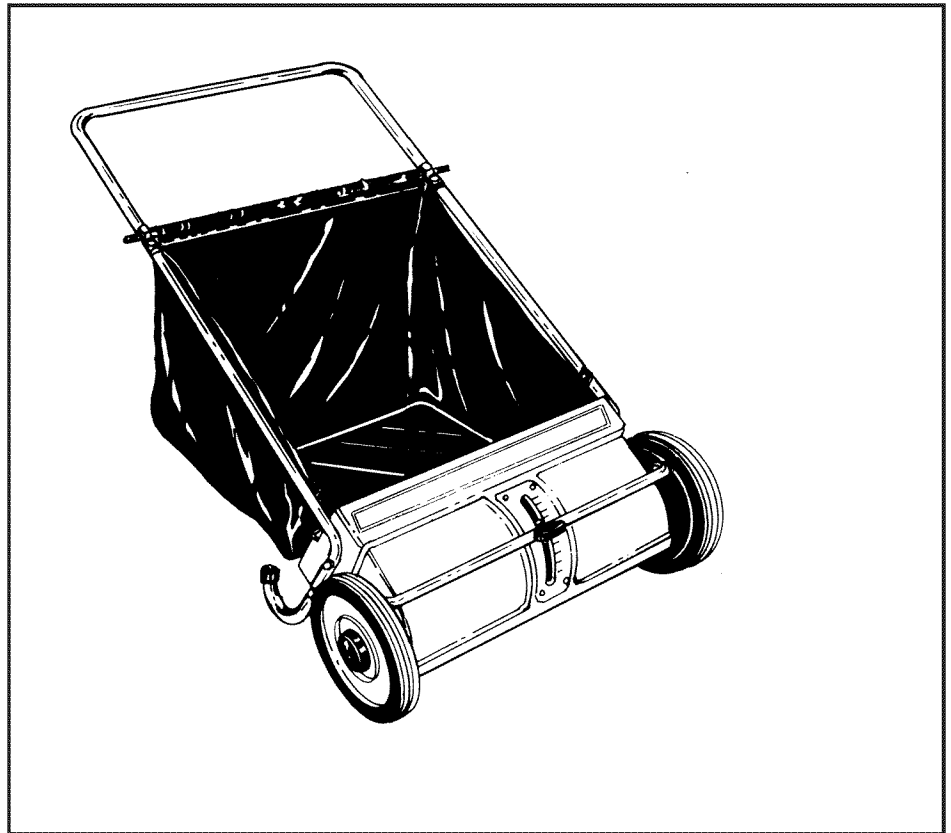




# OWNERS MANUAL

**Model No.  
45-02181**



## 26" LEAF/LAWNSWEEPER

**CAUTION:**  
Read Rules for  
Safe Operation  
and Instructions  
Carefully

- **Safety**
- **Assembly**
- **Operating**
- **Maintenance**
- **Repair Parts**

Call 1-800-448-9282 for missing parts or assembly help.

**SpeedEPart** *the fastest way to purchase parts* [www.speedepart.com](http://www.speedepart.com)

# SAFETY RULES

Remember, any equipment can cause injury if operated improperly or if the user does not understand how to operate the equipment. Exercise caution at all times when using this equipment.



**LOOK FOR THIS SYMBOL TO POINT OUT IMPORTANT SAFETY PRECAUTIONS. IT MEANS — ATTENTION! BECOME ALERT! YOUR SAFETY IS INVOLVED.**

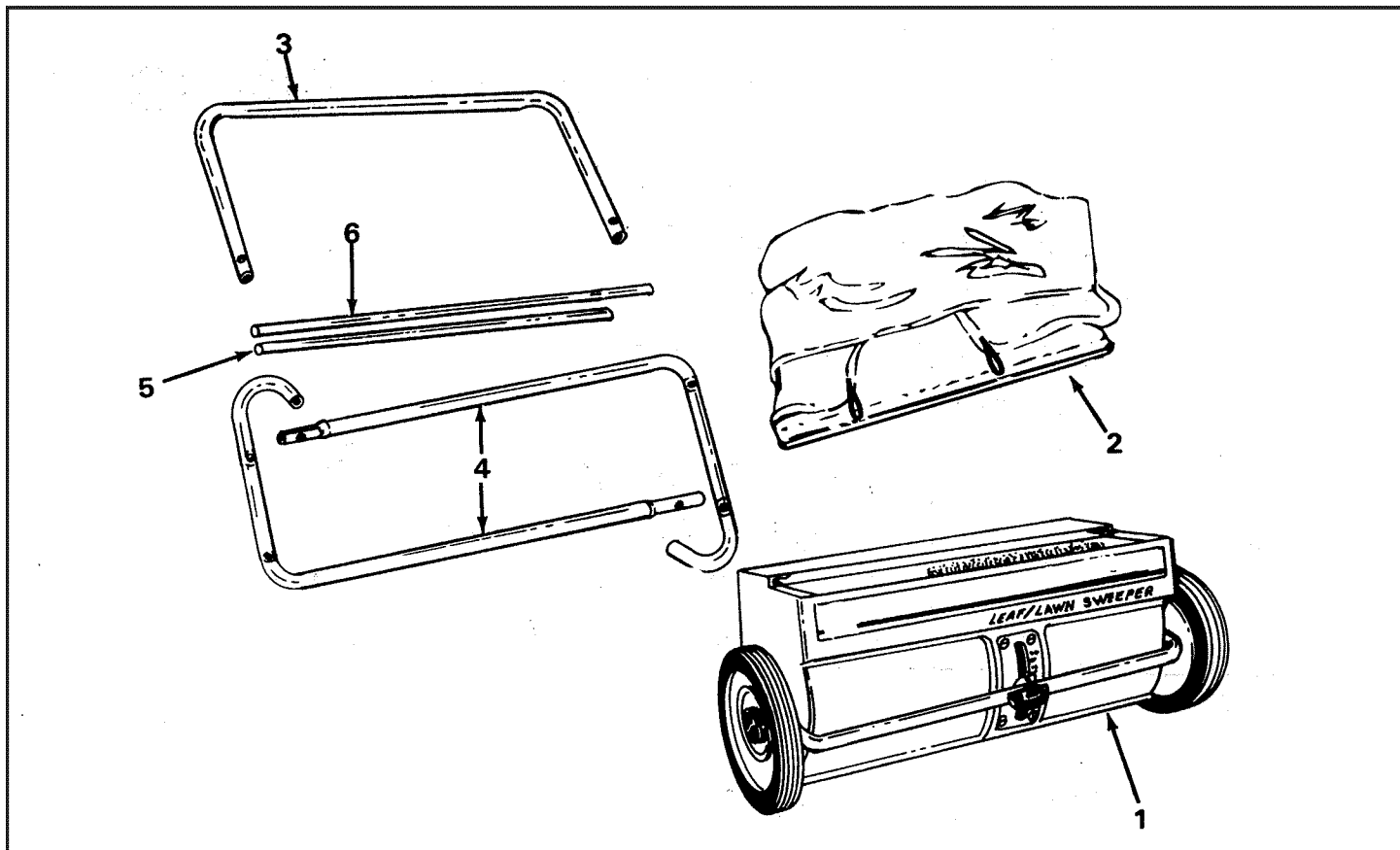


**CAUTION: VEHICLE BRAKING AND STABILITY MAY BE AFFECTED WITH THE ADDITION OF AN ACCESSORY OR AN ATTACHMENT. BE AWARE OF CHANGING CONDITIONS ON SLOPES.**

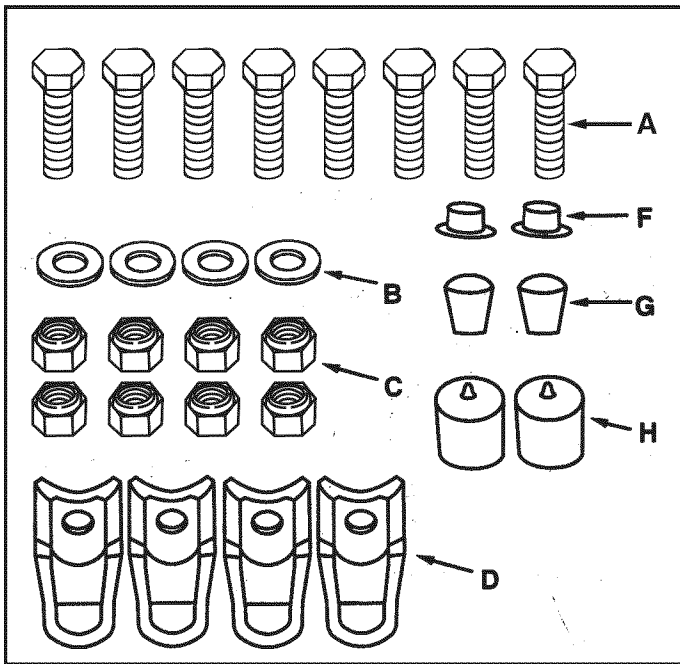
- Do not allow anyone to operate the sweeper without proper instructions.
- Do not permit children to operate sweeper.
- Eye protection should be worn while operating sweeper.
- Do not push or tow sweeper too close to a fire.
- Do not attempt to remove wire or string wrapped around brush while brush is rotating.
- Operate sweeper at reduced speed on rough terrain, in ditches and on hillsides to prevent tipping and loss of control. Stay alert for holes or other hidden hazards.
- This sweeper is not meant for street or highway use. Watch for traffic when sweeping near roadways.
- Keep all nuts, bolts and screws tight to be sure equipment is in safe working condition.
- Sweeper should be stopped and inspected for damage after striking a foreign object and damage should be repaired before operating the equipment.
- Follow maintenance instructions as outlined in this manual.

## CARTON CONTENTS

1. Sweeper Housing Assembly
2. Hopper Bag
3. Upper Handle
4. Lower Handle Leg Stand (2)
5. Short Bag Rod
6. Long Bag Rod



**HARDWARE PACK (NOT SHOWN FULL SIZE)**



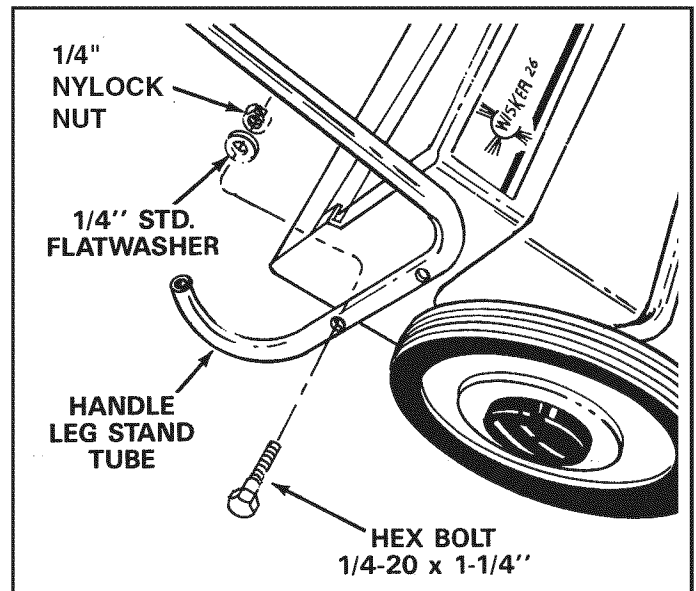
Ref. No.	Description	Qty.
A	Hex Bolt, 1/4-20 x 1-1/4"	8
B	Flat Washers 1/4" I.D.	4
C	Nylock Nuts 1/4-20	8
D	Bag Rod Clips	4
F	Palnut 1/4"	2
G	Plastic Caps (for bag rods)	2
H	Plastic Caps (for leg stands)	2

**ASSEMBLY INSTRUCTIONS**

**TOOLS REQUIRED FOR ASSEMBLY**

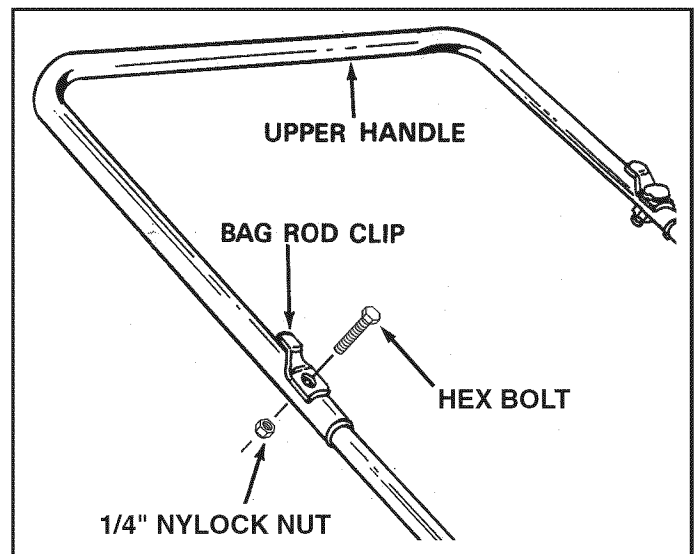
- (1) Phillips Screwdriver
- (1) Adjustable Wrench
- (1) 7/16" Open End or Box Wrench

1. Assemble the two Handle Leg Stand Tubes to the Sweeper Housing, using two hex bolts 1/4-20 x 1-1/4" long, flat washers and 1/4-20 nylock nuts, per handle. See figure 1. Only hand tighten at this time.



**FIGURE 1**

2. Assemble the Upper Handle Tube over the Handle Leg Stand Tubes. See figure 2. Align holes in handle and assemble the Bag Rod Clips to the handle as shown and fasten with hex bolts and nylock nuts.



**FIGURE 2**

- Now tighten the four bolts from step 1.
- Assemble a bag rod clip to the inside of each lower handle tube using a hex bolt secured down against the clip with a 1/4" nylock nut. The clips should face towards the sweeper housing. See figure 3.

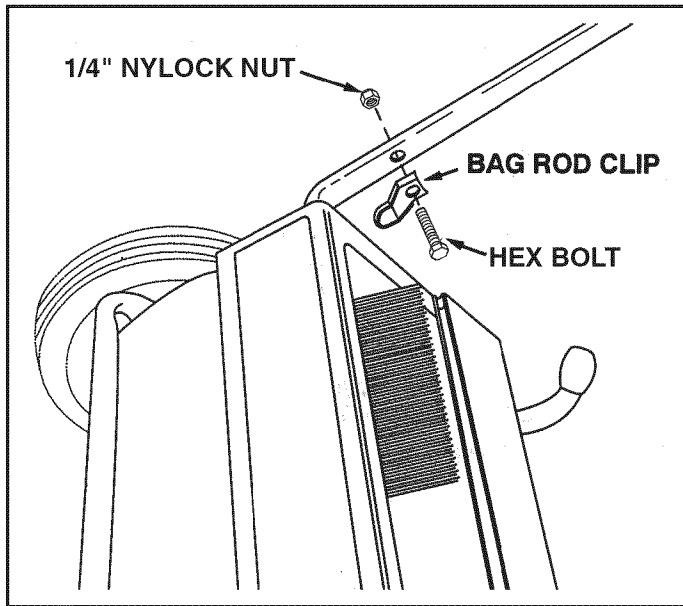


FIGURE 3

- Slide the long bag rod (28-1/2" long) through the stitched bag flap on the top of the hopper bag as shown in figure 4.
- Slide the short bag rod (25-1/2" long) through the stitched bag flap on the bottom of the hopper bag as shown in figure 4.

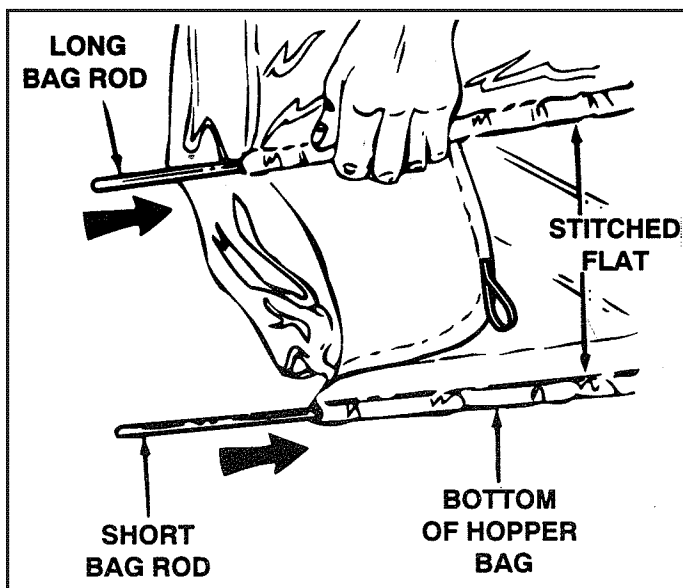


FIGURE 4

- Assemble the two plastic rod caps to the rod ends of the bottom bag rod. Assemble two Palnuts to the ends of the top bag rod. See figure 5.

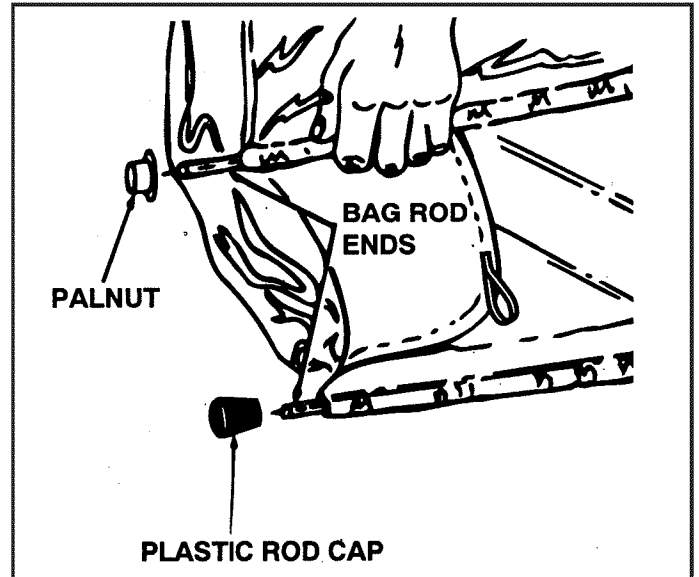


FIGURE 5

- Assemble the two plastic caps 3/4" x 7/8" onto the ends of the leg stands as shown in figure 6.

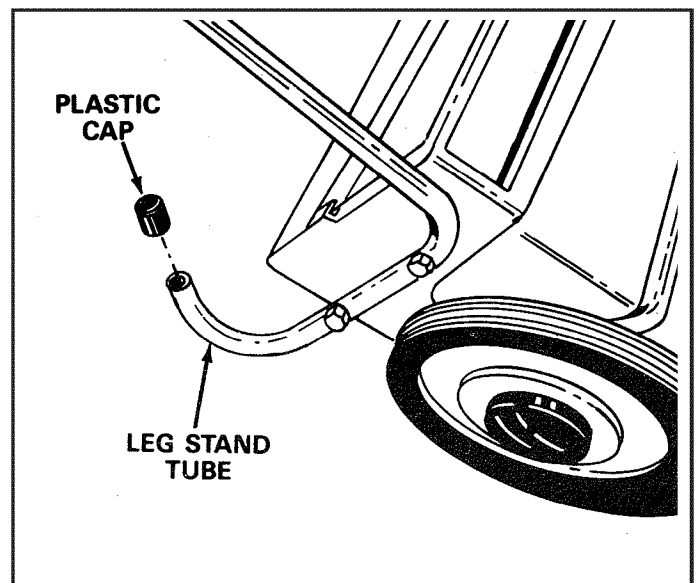


FIGURE 6

9. Place the upper hopper bag and bag rod into the bag rod clips on the hopper handle. See figure 7.

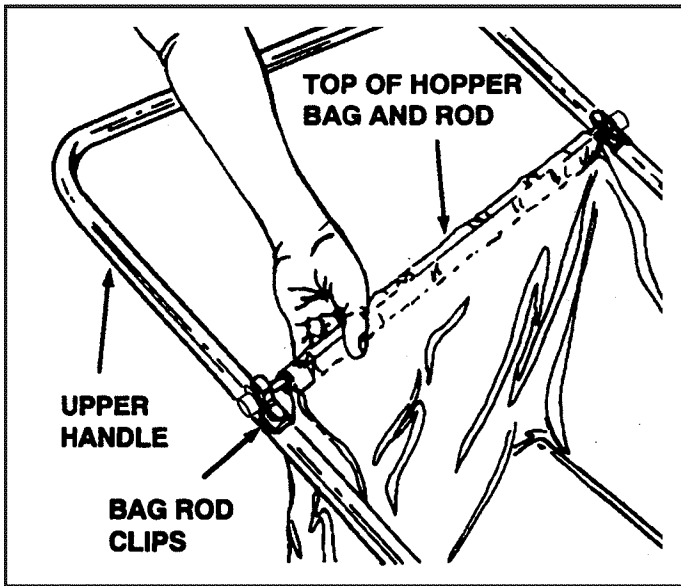


FIGURE 7

11. Hook the elastic straps on the bag flaps under the bag rod clips on the lower handle tubes as shown in figure 9.

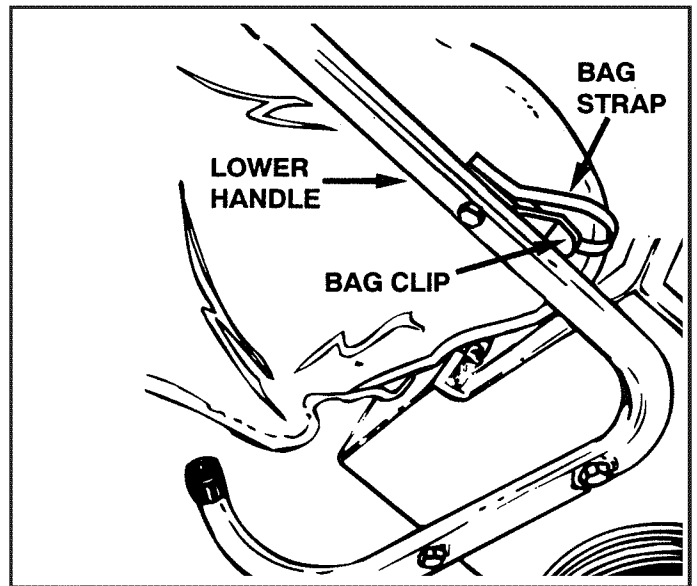


FIGURE 9

10. Place the lower hopper bag and bag rod into the opening on the sweeper housing. See figure 8.

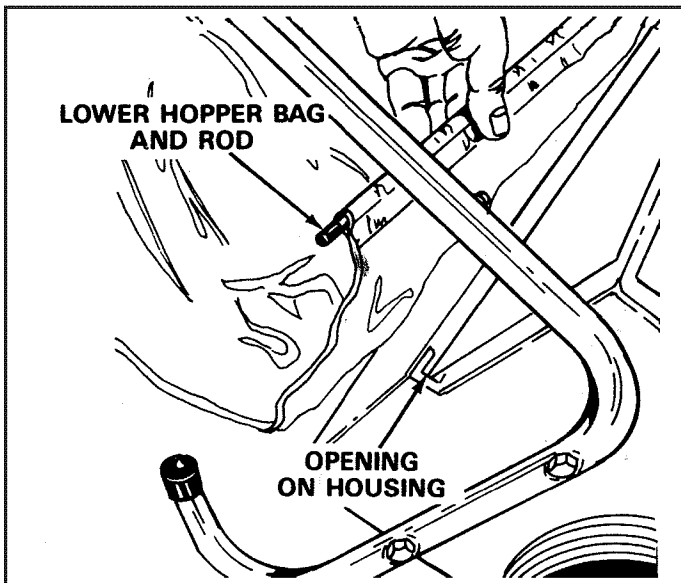


FIGURE 8

## OPERATION

Take care when operating your sweeper. Operating your sweeper according to these instructions will help prevent damage and prolong the life of your sweeper.

## BRUSH HEIGHT ADJUSTMENT

To adjust your sweeper brushes to the best operating height, loosen the hand knob and slide the height adjustment tube down to raise or up to lower the brushes. Best adjustment is when brushes are set 1/2" down into the grass. Always mow grass to even height before sweeping. See figure 10.

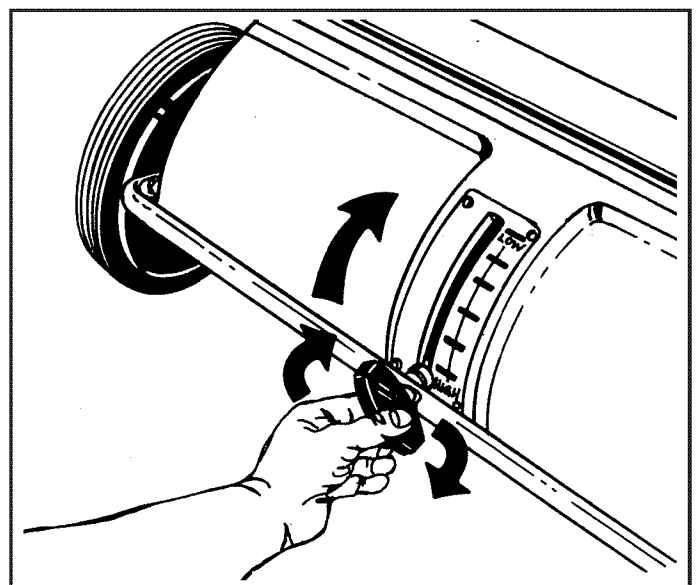


FIGURE 10



**CAUTION: EYE PROTECTION SHOULD BE WORN WHILE OPERATING SWEEPER**

## DUMPING OF SWEEPER

To dump sweeper hopper bag, simply tip the sweeper forward or lift off the complete hopper bag frame.

Always dump hopper after each use. Damp or wet grass and leaves will cause damage to hopper if stored for long periods of time.



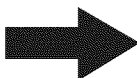
**CAUTION: DO NOT DUMP THE SWEEPER TOO CLOSE TO A FIRE AS THE BRUSHES AND BAG CAN BE DESTROYED BY EXCESSIVE HEAT OR FLAME.**

## STORAGE

The entire unit may be hung on a wall or the hopper bag frame can be removed for storage.

## LUBRICATION/MAINTENANCE

The bearings in the sweeper have been prelubricated at the factory. It is recommended that a few drops of light oil be added to the brush shaft bearings twice a year. The wheels should be removed to clean gears every two years. After cleaning, apply an even coat of light grease. See figures 11, 12 and 13.



### NOTE:

To remove the wheel, pop off hub cap with a screw driver and remove retaining "E" ring and flat washer.

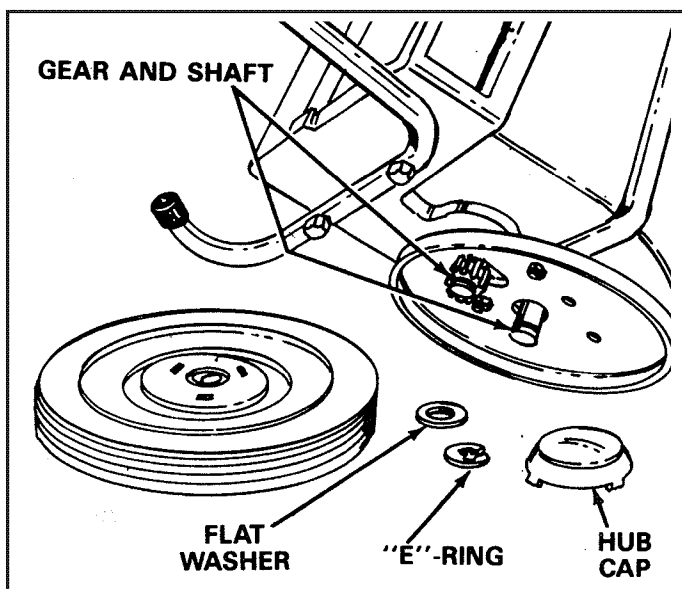


FIGURE 11

## WHEEL GEARS/PAWL SERVICE

**IMPORTANT:** Do not remove both wheels at the same time to avoid mixing parts. (The R.H. and L.H. ratchet gears are not interchangeable.) Make notes on the position of washers and snap rings during disassembly.

1. Remove only one wheel from the sweeper.
2. Remove the retaining rings and washers which hold the ratchet gear onto the brush shaft.
3. Remove the gear by sliding it off the brush shaft. (Look for the drive pin, which may fall out of the brush shaft when the ratchet gear is removed.)
4. To reassemble, insert the drive pin through the hole near the end of the brush shaft. Make sure the pin slides back and forth easily in the shaft.
5. Lightly grease the shaft and fill the ratchet gear with grease. Assemble the ratchet gear back onto the shaft.
6. Lightly grease the axle and the gear teeth on the wheel and then reassemble the wheel. The brushes should rotate only during forward movement. If the brushes rotate by both forward and reverse movement, the drive pin is jamming in the ratchet gear. Disassemble, clean and lubricate the drive pin and ratchet gear and then reassemble wheel.
7. Remove opposite wheel and repeat steps 1-6 for that wheel.

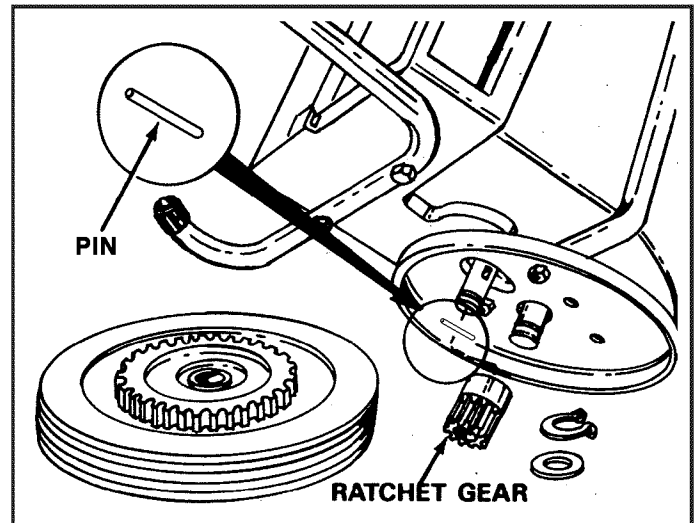


FIGURE 12

# BRUSH REPLACEMENT

1. Remove the hopper bag from lawnsweeper.
2. Brush replacement should be done one brush at a time.
3. Tip the sweeper forward on housing for ease of brush replacement. Do not remove hex bolt from double brush retainers through brush shaft.
4. Loosen hex bolts and hex lock nuts from single brush retainers. See figure 13. Slide brush out of retainers, making note of over-lap bristles position.
5. Install new brush, making sure over-lap bristles are positioned the same as before and as shown in figure 13.

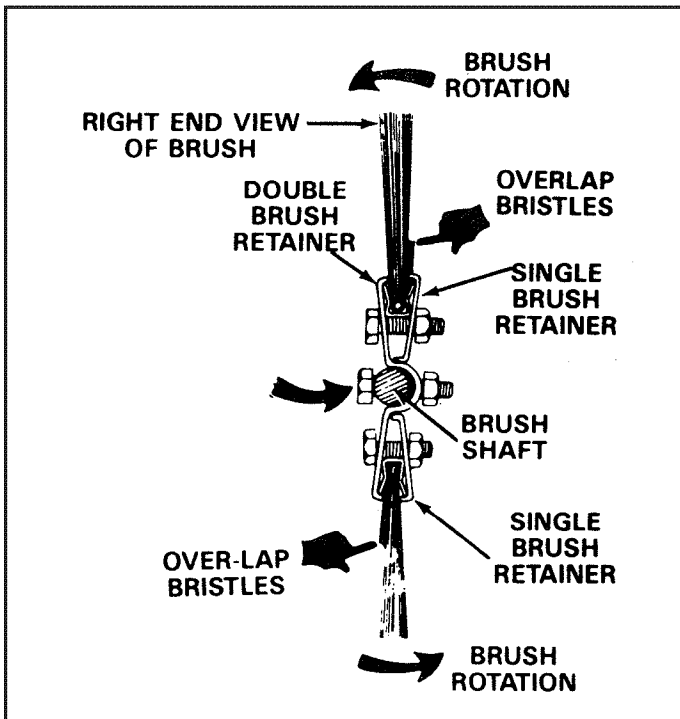


FIGURE 13





# REPAIR PARTS FOR 45-02181 26" LEAF/LAWNSWEEPER

REF. NO.	PART NO.	QTY.	DESCRIPTION	REF. NO.	PART NO.	QTY.	DESCRIPTION
1	44600	1	Housing	28	44125	4	Flat Washer, .62 x 1"
4	43681	1	Bolt, Carriage 5/16-18 x 1-1/2"	29	44687	2	Plastic Cap, .207
5	44680	1	Washer, Square Nylon	30	1650-21	4	Retaining Ring, .594
6	1543-69	1	Washer, Nylon 21/64	31	23782	1	Brush Shaft
7	44695	2	Washer, Bowed	32	43661	4	Bolt, Hex 1/4-20 x 1"
9	43720	1	Knob, 5/16"	33	47189	8	Nylock Nut, 1/4-20
10	44946	1	Height Adjustment Tube	34	44681	4	Brush, 13-1/4"
11	23866	2	Dust Cover	35	23580	4	Brush Retainer, Double Bracket
12	44598	2	Axle	36	23581	8	Brush Retainer, Single Clip
13	43070	4	Washer, 3/8"	37	43012	8	Bolt, Hex 1/4" x 3/4"
14	44684	2	Jam Nut, 3/8-24	38	44603	1	Upper Handle Tube
15	1038	2	Nylock Jam Nut, 3/8-24	39	44595	2	Handle Leg Tube
16	44685	2	Shoulder Spacer	40	44683	1	Bag Rod, 1/4" x 25-1/2"
17	40007	2	Washer, .596 x 1.125 x .025	41	44682	1	Bag Rod, 1/4" x 28-1/2"
18	716-0106	2	"E" Ring, 5/8"	42	726-0106	2	Palnut, 1/4"
19	44679	2	Flange Bearing, .59	43	44688	2	Plastic Cap, 3/4"
20	49946	2	Wheel Assembly	44	44696	4	Bag, Rod Clip
21	741-0249	4	Flange Bearing, .63	46	1509-90	8	Bolt, Hex 1/4-20 x 1-1/4"
22	43182	4	Bolt, Hex 5/16-18 x 3/4"	47	43088	4	Washer, 1/4"
23	47810	4	Nylock Nut, 5/16-18	49	44694	1	Hopper Bag
24	2674-32	2	Black Hub Cap	51	47189	12	Nylock Nut, 1/4-20
25	48651	1	Pinion, L.H.		40261	1	Owner's Manual
26	48652	1	Pinion, R.H.				
27	47046	2	Pin, Drive				

**SpeedPart** *the fastest way to purchase parts* [www.speedpart.com](http://www.speedpart.com)

## NOTES

## NOTES

***SpeedEPart*** *the fastest way to purchase parts* [www.speedepart.com](http://www.speedepart.com)

**REPAIR PARTS**

Agri-Fab, Inc.  
303 West Raymond  
Sullivan, IL. 61951  
217-728-8388  
[www.agri-fab.com](http://www.agri-fab.com)

This document (or manual) is protected under the U.S. Copyright Laws and the copyright laws of foreign countries, pursuant to the Universal Copyright Convention and the Berne convention. No part of this document may be reproduced or transmitted in any form or by any means, electronic or mechanical, including photocopying or recording, or by any information storage or retrieval system, without the express written permission of Agri-Fab, Inc. Unauthorized uses and/or reproductions of this manual will subject such unauthorized user to civil and criminal penalties as provided by the United States Copyright Laws.

© 1992 Agri-Fab, Inc.