

# OPERATOR'S MANUAL

## MANUAL DEL OPERADOR

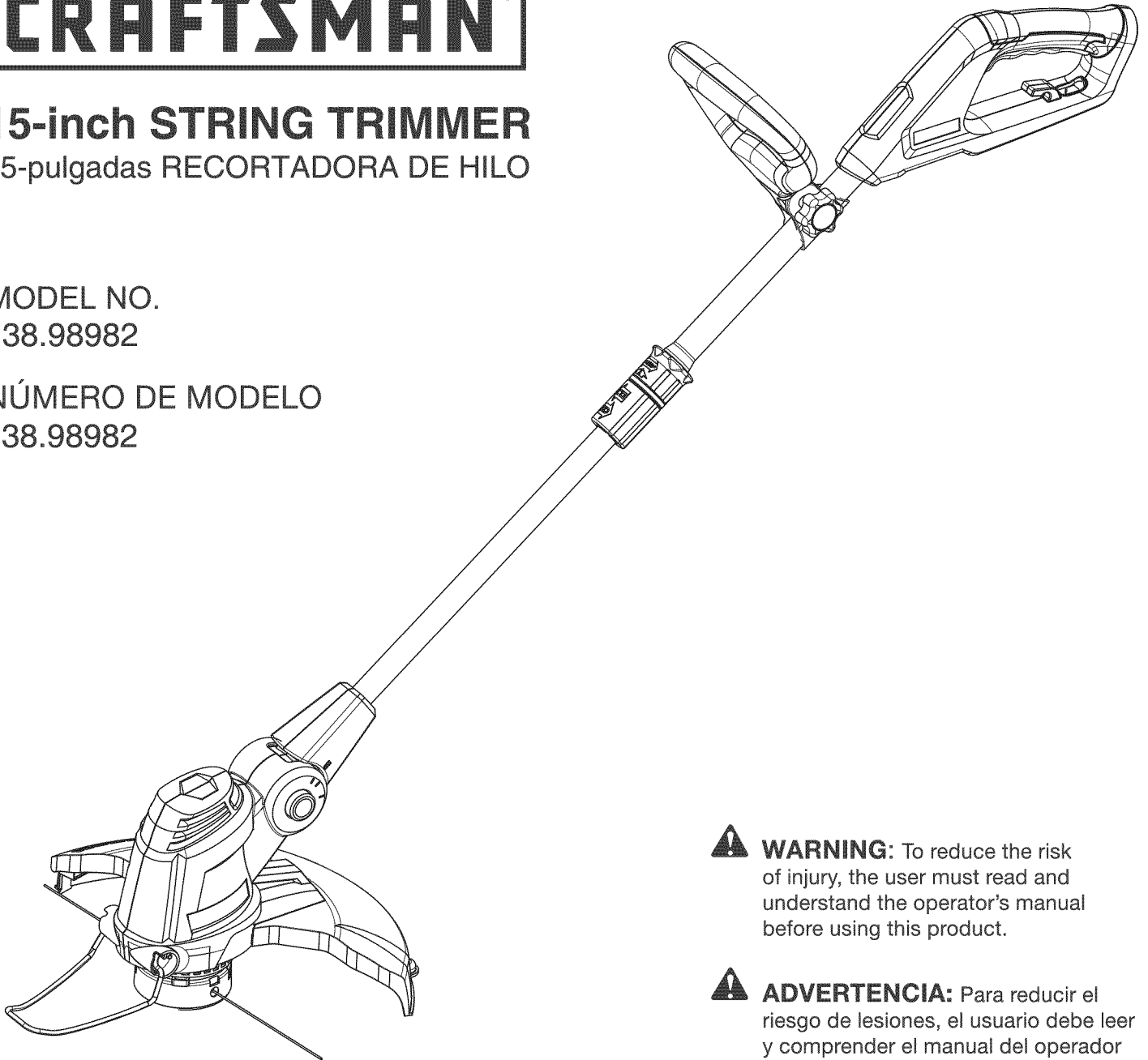


### 15-inch STRING TRIMMER

15-pulgadas RECORTADORA DE HILO

MODEL NO.  
138.98982

NÚMERO DE MODELO  
138.98982



**WARNING:** To reduce the risk of injury, the user must read and understand the operator's manual before using this product.

**ADVERTENCIA:** Para reducir el riesgo de lesiones, el usuario debe leer y comprender el manual del operador antes de usar este producto.

Customer Help Line: 1-888-266-7096  
Teléfono de atención al consumidor: 1-888-266-7096

Sears Brands Management Corporation, Hoffman Estates, IL 60179 USA  
Visit the Craftsman web page: [www.craftsman.com](http://www.craftsman.com)  
Visite el sitio web de Craftsman: [www.craftsman.com](http://www.craftsman.com)

**Save this manual for future reference**  
**Guarde este manual para futuras consulta**



218549

# TABLE OF CONTENTS / ÍNDICE DE CONTENIDO

## ENGLISH

■ Warranty.....	2
■ Introduction.....	2
■ Important Safety Instructions .....	3-5
■ Symbols .....	6
■ Features .....	7
■ Assembly .....	7-8
■ Operation .....	8-9
■ Maintenance .....	10
■ Troubleshooting .....	11
■ Illustrated View and Parts List .....	12
■ Figure Numbers (Illustrations).....	i-ii
■ Parts Ordering / Service.....	Back Page

## ESPAÑOL

■ Garantía sección inglés .....	2
■ Introducción sección inglés .....	2
■ Instrucciones de seguridad importantes .....	3-5
■ Símbolos .....	6
■ Características .....	7
■ Armado .....	7-8
■ Funcionamiento .....	8-9
■ Mantenimiento .....	10
■ Corrección de problemas .....	11
■ Figura numeras (ilustraciones).....	12
■ Pedidos de piezas / Servicio .....	Pág. posterior

# WARRANTY / GARANTÍA

## CRAFTSMAN® TWO YEAR LIMITED WARRANTY

FOR TWO YEARS from the date of purchase this power tool is warranted against any defects in material or workmanship. With proof of purchase, a defective product will be replaced free of charge.

**For warranty coverage details to obtain free replacement, visit the web page: [www.craftsman.com/warranty](http://www.craftsman.com/warranty)**

This warranty does not cover the trimming line or replacement spool, which are expendable parts that can wear out from normal use within the warranty period. This warranty is void if this product is ever used while providing commercial services or if rented to another person. This warranty gives you specific legal rights, and you may also have other rights which vary from state to state.

Sears Brands Management Corporation, Hoffman Estates, IL 60179

\* \* \*

## CRAFTSMAN® TWO YEAR LIMITED WARRANTY

FOR TWO YEARS from the date of purchase this power tool is warranted against any defects in material or workmanship. With proof of purchase, a defective product will be replaced free of charge.

**For warranty coverage details to obtain free replacement, visit the web page: [www.craftsman.com/warranty](http://www.craftsman.com/warranty)**

This warranty does not cover the trimming line or replacement spool, which are expendable parts that can wear out from normal use within the warranty period. This warranty is void if this product is ever used while providing commercial services or if rented to another person. This warranty gives you specific legal rights, and you may also have other rights which vary from state to state.

Sears Brands Management Corporation, Hoffman Estates, IL 60179


# INTRODUCTION / INTRODUCCIÓN

This tool has many features for making its use more pleasant and enjoyable. Safety, performance, and dependability have been given top priority in the design of this product making it easy to maintain and operate.

\* \* \*

Esta herramienta ofrece numerosas características para hacer más agradable y placentero su uso. En el diseño de este producto se ha conferido prioridad a la seguridad, el desempeño y la fiabilidad, por lo cual se facilita su manejo y mantenimiento.

# IMPORTANT SAFETY INSTRUCTIONS

 **WARNING!** When using electric gardening appliances, basic safety precautions should always be followed to reduce the risk of fire, electric shock and personal injury.

## READ ALL INSTRUCTIONS

- For safe operation, read and understand all instructions before using this product. Follow all safety instructions. Failure to follow all safety instructions listed below, can result in serious personal injury.
- Do not allow children or untrained individuals to use this unit.
- Check the work area before each use. Remove all objects such as rocks, broken glass, nails, wire, or string which can be thrown or become entangled in the machine.
- Always wear eye protection with side shields which are marked to comply with ANSI Z87.1. when operating this product.
- Use Safety Glasses – Always use face or dust mask if operation is dusty.
- Everyday glasses have only impact resistant lenses. They are NOT safety glasses.
- Dress Properly – Use rubber gloves and substantial footwear is recommended when working outdoors.
- Wear heavy, long pants, boots, and gloves. Do not wear loose fitting clothing, short pants, or go barefoot. Do not wear jewelry of any kind. Secure long hair above shoulder level to prevent entanglement in moving parts.
- Keep children away - Keep all bystanders, children, and pets at least 50 ft. away.
- Stay alert - Do not operate this unit when you are tired, ill, or under the influence of alcohol, drugs, or medication.
- Do not operate in poor lighting.
- Keep all parts of your body away from any moving part.
- Do not operate power tools in explosive atmospheres, such as in the presence of flammable liquids, gases, or dust. Power tools create sparks which may ignite the dust or fumes.
- To reduce the risk of electric shock, this tool has a polarized plug (one blade is wider than the other) and will require the use of a polarized extension cord. The plug will fit into a polarized extension cord only one way. If the plug does not fit fully into the extension cord, reverse the plug. If the plug still does not fit, obtain a correct polarized extension cord. A polarized extension cord will require the use of a polarized wall outlet. This plug will fit into the polarized wall outlet only one way. If the plug does not fit fully into the wall outlet, reverse the plug. If the plug still does not fit, contact a qualified electrician to install the proper wall outlet. Do not change the equipment plug, extension cord receptacle, or extension cord plug in any way.
- Avoid body contact with grounded surfaces such as pipes, radiators, ranges, and refrigerators. There is an increased risk of electric shock if your body is grounded.
- Avoid Dangerous Environments - Don't expose power tools to rain or wet conditions. Water entering a power tool will increase the risk of electric shock.
- Ground Fault Circuit Interrupter (GFCI) protection should be provided on the circuit(s) or outlet(s) to be used for the gardening appliance. Receptacles are available having built-in GFCI protection and may be used for this measure of safety.
- Use Right Appliance - Do not force tool. Use the correct tool for your application. The correct tool will do the job better and safer at the rate for which it is designed.
- Do not operate the equipment while barefoot or when wearing sandals or similar lightweight footwear. Wear protective footwear that will protect your feet and improve your footing on slippery surfaces.
- Do not overreach. Keep firm footing and balance. Over-reaching can result in loss of balance.

# IMPORTANT SAFETY INSTRUCTIONS

- Avoid Accidental Start – Do not carry plugged in appliance with finger on trigger. Be sure the switch trigger is not engaged before plugging in.
- Do not use tool if switch trigger does not turn it on or off. Any tool that cannot be controlled with the switch trigger is dangerous and must be repaired.
- Disconnect appliance from power source before storing, servicing, changing accessories such as the cutting line. Such preventive safety measures reduce the risk of starting the tool accidentally.
- Use only identical manufacturer's replacement parts and accessories. Use of any other parts may create a hazard or cause product damage.
- Maintain appliance with care - Replace string head if cracked, chipped, or damaged in any way.
- Be sure the string head is properly installed and securely fastened. Failure to do so can cause serious injury.
- Make sure all guards, straps, deflectors and handles are properly and securely attached.
- Use only the manufacturer's replacement string in the cutting head. Do not use any other cutting attachment, for example, metal wire, rope, or the like. To install any other brand of cutting head to this string trimmer can result in serious personal injury.
- Never operate unit without the grass deflector in place and in good condition.
- Check damaged parts. Before further use of the tool, a guard or other part that is damaged should be carefully checked to determine that it will operate properly and perform its intended function. Check for alignment of moving parts, binding of moving parts, breakage of parts, mounting and any other conditions that may affect its operation. A guard or other part that is damaged must be properly repaired or replaced by an authorized service center to avoid risk of personal injury.
- Maintain a firm grip on both handles while trimming. Keep string head below waist level.
- Never cut with the string head located over 30in, or more above the ground.
- Store idle appliances - When not in use, string trimmer should be stored indoors in a dry, locked place out of the reach of children. Make sure your extension cord is in good condition. When using an extension cord, be sure to use one heavy enough to carry the current your product will draw. A wire gauge size (A.W.G.) of at least 16 is recommended for an extension cord 50 feet or less in length. A cord exceeding 100 feet is not recommended. If in doubt, use the next heavier gauge. The smaller the gaugenumber, the heavier the cord. An undersized cord will cause a drop in line voltage resulting in loss of power and overheating.
- Never use blades or flailing devices. Unit is designed for line trimmer use only. Use of any other accessories or attachments will increase the risk of injury. Inspect area to be cut. Remove objects (rocks, broken glass, nails, wire, string, etc.) which can be thrown or become entangled in cutting head.
- Keep the air vents clean and free of debris to avoid overheating the motor. Clean after each use.
- Stop the unit and disconnect the power source when not in use. Carry the unit with the motor stopped.
- Store unplugged and out of the reach of children.
- Do not hang unit so that the switch trigger is depressed.
- Do not use multiple cords.
- Do not abuse the cord. Never carry the unit by the extension cord or yank extension cord to disconnect unit.
- Keep the extension cord clear of operator and obstacles at all times. Do not expose cords to heat, oil, water, or sharp edges. If the power supply cord is damaged, it must be replaced only by the manufacturer or by an authorized service center to avoid risk.
- Save these instructions. Refer to them frequently and use them to instruct others who may use this power tool. If you loan someone this power tool, loan them these instructions also.

# IMPORTANT SAFETY INSTRUCTIONS

## PROPOSITION 65



### WARNING!




Some dust created by power sanding, sawing, grinding, drilling, and other construction activities contains chemicals known to cause cancer, birth defects or other reproductive harm. Some examples of these chemicals are:







- lead from lead-based paints
- crystalline silica from bricks and cement and other masonry products
- arsenic and chromium from chemically-treated lumber

Your risk from these exposures varies, depending on how often you do this type of work. To reduce your exposure to these chemicals: work in a well ventilated area, and work with approved safety equipment, such as those dust masks that are specially designed to filter out microscopic particles.

# SYMBOLS

The following signal words and meanings are intended to explain the levels of risk associated with this product.

SYMBOL	SIGNAL	MEANING
	<b>DANGER:</b>	Indicates an imminently hazardous situation, which, if not avoided, will result in death or serious injury.
	<b>WARNING:</b>	Indicates a potentially hazardous situation, which, if not avoided, could result in death or serious injury.
	<b>CAUTION:</b>	Indicates a potentially hazardous situation, which, if not avoided, may result in minor or moderate injury.
	<b>CAUTION:</b>	(Without Safety Alert Symbol) Indicates a situation that may result in property damage.

SYMBOL	NAME	DESIGNATION/EXPLANATION
V	Volts	Voltage
A	Amperes	Current
Hz	Hertz	Frequency (cycles per second)
W	Watt	Power
min	Minutes	Time
~	Alternating Current	Type of current
≡	Direct Current	Type or a characteristic of current
	Class II Construction	Double-insulated construction
	Wet Conditions Alert	Do not expose to rain or use in damp locations
	Read The Operator's Manual	To reduce the risk of injury user must read and understand operator's manual before using this product.
	Safety Alert	Precautions that involve your safety.
	Keep Bystanders Away	Keep all bystanders at least 50 ft. away.
	Eye Protection	Always wear safety goggles or safety glasses with side shields and, as necessary, a full face shield when operating this product.

# ELECTRICAL

When working outdoors with a product, use an extension designated with "WA" on the cord's jacket.

Before using any extension cord, inspect it for loose or exposed wires and cut or worn insulation.

\*\*Ampere rating (on product data plate)

0-2.0 2.1-3.4 3.5-5.0 5.1-7.0 7.1-12.0 12.1-16.0

Cord Length	Wire Size (A.W.G.)					
25'	16	16	16	16	14	14
50'	16	16	16	14	14	12
100'	16	16	14	12	10	—

\*\*Used on 12 gauge - 20 amp circuit.

NOTE: AWG = American Wire Gauge

## WARNING:

Keep the extension cord clear of the working area. Position the cord so that it will not get caught on lumber, tools, or other obstructions while you are working with a power tool. Failure to do so can result in serious personal injury.

## WARNING:

Check extension cords before each use. If damaged replace immediately. Never use product with a damaged cord since touching the damaged area could cause electrical shock resulting in serious injury.

# FEATURES

## PRODUCT SPECIFICATIONS

Input.....120 V AC 60Hz.  
Cutting Path.....15 in.

Feed type.....0.065 in. auto-feed  
Replacement Spool Part Number.....71-99006

## KNOW YOUR STRING TRIMMER

See Figure 1, page i.

The safe use of this product requires an understanding of the information on the tool and in this operator's manual as well as a knowledge of the project you are attempting. Before use of this product, familiarize yourself with all operating features and safety rules.

### CORD RETAINER

A convenient cord retainer helps keep the extension cord connection secure during string trimmer operation.

### EDGER GUIDE

The easily mounted edger guide allows the string trimmer to perform as an edger.

### FRONT HANDLE

The string trimmer is equipped with a front handle assembly for ease of operation and to prevent loss of control.

### GRASS DEFLECTOR

The trimmer includes a grass deflector that helps protect from flying debris.

### ROTATING REAR HANDLE

The rotating rear handle on the string trimmer can be rotated 180° to switch between edging and trimming.

### TELESCOPING SHAFT

The string trimmer can be adjusted to different extension points for ease of use.

# ASSEMBLY

## UNPACKING

This product requires assembly.

- Carefully remove the product and any accessories from the box. Make sure that all items listed in the packing list are included.

## PACKING LIST

String Trimmer  
Grass Deflector Assembly with Screws  
Operator's Manual  
Front handle

# ASSEMBLY

**⚠ WARNING:** Do not use this product if it is not completely assembled or if any parts appear to be missing or damaged. Use of a product that is not properly and completely assembled could result in serious personal injury.

- Inspect the product carefully to make sure no breakage or damage occurred during shipping.
- Do not discard the packing material until you have carefully inspected and satisfactorily operated the product.
- If any parts are damaged or missing, please call 1-888-266-7096 for assistance.

**⚠ WARNING:** If any parts are damaged or missing do not operate this product until the parts are replaced. Use of this product with damaged or missing parts could result in serious personal injury.

**⚠ WARNING:** Do not attempt to modify this product or create accessories not recommended for use with this product. Any such alteration or modification is misuse and could result in a hazardous condition leading to possible serious personal injury.

## ATTACHING GRASS DEFLECTOR

See Figure 2 - 3, page i.

- ⚠ WARNING:** The line cut-off blade on the grass deflector is sharp. Avoid contact with the blade. Failure to avoid contact can result in serious personal injury.
- Remove supplied screw with a phillips screwdriver from the trimmer head.
  - Fit the grass deflector into the slots on the trimmer housing.
  - Line up the screw hole in the grass deflector with the center hole in the trimmer head.
  - Install supplied screw and tighten by turning clockwise with a phillips screwdriver.

## ADJUSTING THE FRONT HANDLE

See Figure 4, page i

- Loosen and remove the knob from the handle.
- Install the handle on the rear handle pole in the area indicated by the illustration.
- Adjust handle up or down, if necessary, to desired operating position.
- Reinstall the knob. Tighten it to secure.

# OPERATION

**⚠ WARNING:** If any parts are damaged or missing, do not operate this product until the parts are replaced. Failure to heed this warning could result in serious personal injury.

**⚠ WARNING:** Do not attempt to modify this product or create accessories not recommended for use with this product. Any such alteration or modification is misuse and could result in a hazardous condition leading to possible serious personal injury.

**⚠ WARNING:** Do not connect to power supply until assembly is complete. Failure to comply could result in accidental starting and possible serious personal injury.

## STARTING/STOPPING THE TRIMMER

See Figure 4 - 5, page i.

**NOTE:** Use only approved outdoor extension cords.

- Attach the outlet end of an extension cord to the plug on the rear of the string trimmer.
- Route the extension cord through the slot located on the rear of the string trimmer housing and place underneath the cord retainer.

- To start the string trimmer, press the switch trigger.
- To stop the string trimmer, release the switch trigger.

## OPERATING THE TRIMMER

See Figure 6, page i.

Follow these tips when using the string trimmer:

- Hold the trimmer with your right hand on the rear handle and your left hand on the front handle.
- Keep a firm grip with both hands while in operation.
- Trimmer should be held at a comfortable position with the rear handle about hip height.
- Cut tall grass from the top down. This will prevent grass from wrapping around the shaft housing and string head.

If grass becomes wrapped around the string head:

- Stop the trimmer.
- Unplug the string trimmer.
- Remove the grass.



# OPERATION

## THE CUTTING LINE

**⚠ WARNING:** DO NOT grasp the exposed cutting line when picking up or holding the trimmer.

A single 0.065-inch round cutting line is pre-installed on the trimmer. When the cutting line needs replacing, install a new pre-wound spool, Craftsman 71-99006.

## ADVANCING LINES *See Figure 7, page ii.*

**CAUTION:** The trimmer is equipped with an auto-feed head, but it is not a “bump feed” head. Bumping the head to try to advance the line will damage the trimmer and void the warranty.

- With the trimmer running, release the switch trigger.
- Wait two seconds, and press the switch trigger.

**NOTE:** The line will extend approximately 1/4 in. with each stop and start of the switch trigger until the line reaches the length of the grass deflector blade.

- Resume trimming.

## ADVANCING THE LINE MANUALLY

*See Figure 7, page ii.*

Disconnect the string trimmer from the power supply, then push the line advancement button in while pulling on trimmer line to manually advance.

## CUT OFF BLADE

This trimmer is equipped with a line cut-off blade on the grass deflector. For best cutting, advance line until it is trimmed to length by the cut-off blade. Advance line when trimming efficiency diminishes. This will maintain best performance and keep trimmer line long enough to advance properly. Do not wait until line is no longer visible to advance the line.

## CUTTING TIPS

*See Figure 8, page ii.*

- Keep the trimmer tilted toward the area being cut; this is the best cutting area.
- The string trimmer cuts when passing the unit from left to right. This will avoid throwing debris at the operator. Avoid cutting in the hazardous area shown in figure 8.
- Use the tip of the string to do the cutting; do not force string head into uncut grass.
- Wire and picket fences cause extra string wear, even breakage. Stone and brick walls, curbs, and wood may wear line rapidly
- Avoid trees and shrubs. Tree bark, wood moldings, siding, and fence posts can easily be damaged by the line.

## TELESCOPING SHAFT

*See Figure 9, page ii.*

The shaft can be extended or shortened for ease of use.

- Unplug the string trimmer.
- Unscrew telescoping shaft coupler and slide to desired position.
- Tighten shaft coupler.

## THREE-POSITION PIVOTING HEAD

*See Figure 10, page ii.*

- Unplug the string trimmer.
- Depress the pivot button and move the trimmer head up or down to one of the three positions indicated by the notches.

**NOTE:** Adjust the trimmer head to the first and second notches from trimming and edging, based on preferred trimming and edging position. Adjust to the third notch for storage only.

- Make sure the trimmer head is securely locked into place.

## ROTATING REAR HANDLE

*See Figure 11, page ii.*

- Unplug the string trimmer.
- Pull up edging coupler and turn handle end counterclockwise.
- Release edging shaft coupler when handle has been rotated 180°.

## EDGING

*See Figure 12-13, page ii.*

The rotating handle can be used in combination with the edger guide for edging sidewalks and walkways. To use the edger guide, flip down from its stored position.

# MAINTENANCE

**⚠ WARNING:** When servicing, use only identical replacement parts. Use of any other parts may create a hazard or cause product damage.

**⚠ WARNING:** Always wear eye protection with side shields marked to comply with ANSI Z87.1. Failure to do so could result in objects being thrown into your eyes, resulting in possible serious injury.

## GENERAL MAINTENANCE

Before each use, inspect the entire product for damaged, missing, or loose parts such as screws, nuts, bolts, caps, etc. Tighten securely all fasteners and caps and do not operate this product until all missing or damaged parts are replaced. Please call 1-888-266-7096 for service and location of nearest authorized service center.

Avoid using solvents when cleaning plastic parts. Most plastics are susceptible to damage from various types of commercial solvents and may be damaged by their use. Use clean cloths to remove dirt, dust, oil, grease, etc.

**⚠ WARNING:** Do not at any time let brake fluids, gasoline, petroleum-based products, penetrating oils, etc., come in contact with plastic parts. Chemicals can damage, weaken or destroy plastic which may result in serious personal injury.

Only the parts shown on the parts list are intended to be repaired or replaced by the customer. All other parts should be replaced at an Authorized Service Center. Please call 1-888-266-7096.

## SPOOL REPLACEMENT

*See Figure 14, page ii.*

Use only .065 in. diameter monofilament line. Use original manufacturer's replacement line for best performance.

- Unplug the string trimmer.
- Push in tabs on side of spool retainer.
- Pull spool retainer up to remove.
- Remove spool.
- To install the new spool, make sure the two lines are captured in the slots opposite each other on the new spool. Make sure the end of each line is extended approximately 6 in. beyond each slot.
- Install the new spool so that the lines and slots align with the eyelets in the line head. Thread the lines into the eyelets.
- Pull the lines extending from the line head so the line releases from the slots in the spool.
- Reinstall the spool retainer by depressing tabs into slots in the line head and pushing down until spool retainer clicks into place.

## LINE REPLACEMENT *See Figure 15, page ii*

- Unplug the string trimmer.
- Remove the spool from the line head.  
**NOTE:** Remove any old line remaining on the spool.
- Cut two pieces of line, each being approximately 9 ft. (2.7 m) long. Use only .065 in. (1.65 mm) diameter monofilament line.
- Insert the first line into the anchor hole in the upper part of the spool. Wind the first line around the upper part of the spool counterclockwise, as shown by the arrows on the spool. Place line in the slot on upper spool flange, leaving about 6 in. (152 mm) extended beyond the slot. Do not overfill. After winding the line, there should be at least 1/4 in. (6 mm) between the wound line and the outside edge of the spool.
- Repeat above step with second line, using the bottom part of spool. Do not overfill.
- Install the spool in the line head and replace the spool retainer as described in Spool Replacement on this page.

## STORING THE TRIMMER

- Clean all foreign material from the trimmer.
  - Store it in a place that is inaccessible to children.
  - Keep away from corrosive agents such as garden chemicals and de-icing salts.
- ⚠ WARNING:** Before you begin trimming, only use the appropriate type of cutting line. Ensure that cutting line is present in both sections of the spool.

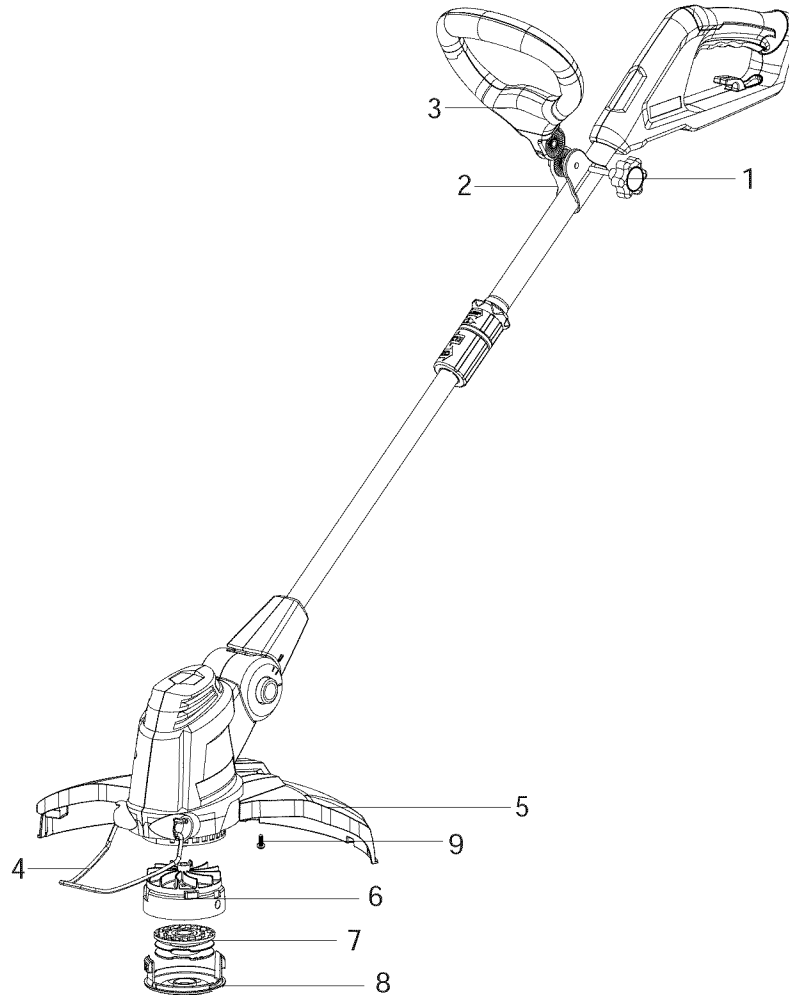
# TROUBLESHOOTING

PROBLEM	POSSIBLE CAUSE	SOLUTION
Strings will not feed when use as per instructions:	1. Strings have become stuck together due to heat or storage time.	1. Unplug trimmer. Open spool retainer. Remove spool, unwind line and then rewind onto spool housing.
	2. Not enough string present in spool.	2. Unplug trimmer. Open spool retainer. Remove spool and replace with new line or new spool assembly as per instructions in this manual.
	3. Strings are tangled on spool	3. Unplug trimmer. Open spool cover. Remove spool. Unwind and remove tangled line. Rewind line as per instructions in this manual.
Grass wraps around drive shaft housing and string head.	1. Cutting tall grass at ground level.	1. Cut tall grass from the top down to prevent wrapping.
Motor fails to start when switch trigger is depressed.	1. Power cord is not plugged in or connection is loose.	1. Plug in the power cord.
	2. Household circuit breaker is tripped.	2. Check circuit breaker.
	3. Extension cord may be faulty.	3. Try another extension cord or connect into another wall receptacle socket on a different circuit.

**CRAFTSMAN 15in. STRING TRIMMER – MODEL NUMBER 138.98982**

The model number will be found on a label attached to the lower shaft.  
To order replacement parts, call 1-888-331-4569.

**SEE BACK PAGE FOR PARTS ORDERING INSTRUCTIONS**



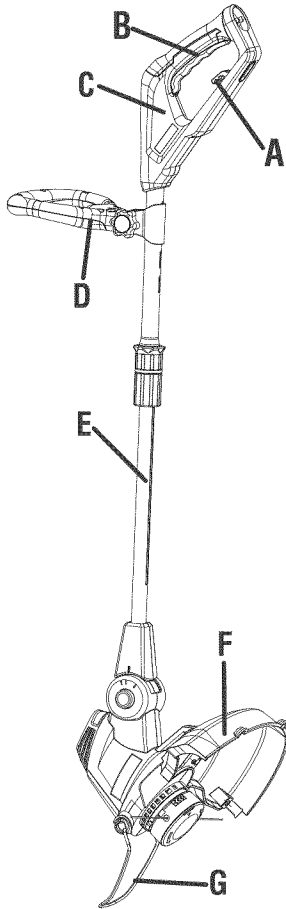
**PARTS LIST**

Key No.	Part Number	Description	Qty.
1	3110282-9	Front handle knob	1
2	3110482-2	Front handle clamp	1
3	3110182-9	Front handle	1
4	33315875	Edging guide	1
5	31105875	15" trimmer guard	1
6	31106874	Auto-feed housing assembly	1
7	31104178	Auto-feed spool	1
8	34101176A-1	Spool cover	1
9	3220313-3	M4 x16 screw	1

**See this section for all the figures referenced in the operator's manual.**

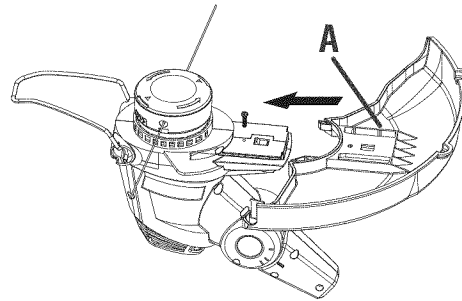
**Vea esta sección de la página para todas las figuras mencionó en el manual del operador.**

**Fig. 1**



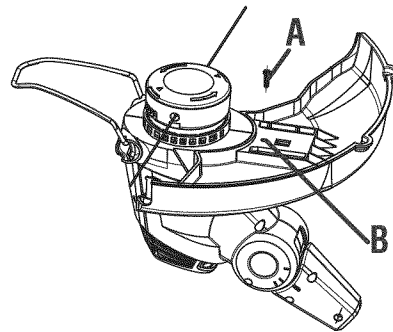
- A - Cord retainer (reten para el cable)
- B - Switch trigger (gatillo del interruptor)
- C - Rotating rear handle (cómo rotar el mango trasero)
- D - Front handle (mango delantero)
- E - Telescoping shaft (brazo telescópico)
- F - Grass deflector (deflector de hierba)
- G - Edger guide (guía para el recorte de bordes)

**Fig. 2**



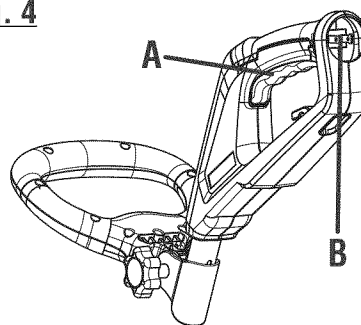
- A - Grass deflector (deflector de hierba)
- B - Slide over head (Slide over head)

**Fig. 3**



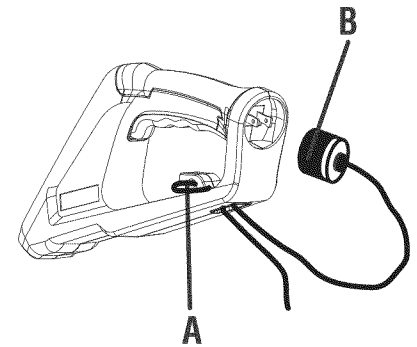
- A - Screw (tornillo)
- B - Screw hole (orificio del tornillo)

**Fig. 4**



- A - Switch trigger (gatillo del interruptor)
- B - Attach outlet end of extension cord here (acople aquí extremo del enchufe del cable de extensión)

**Fig. 5**

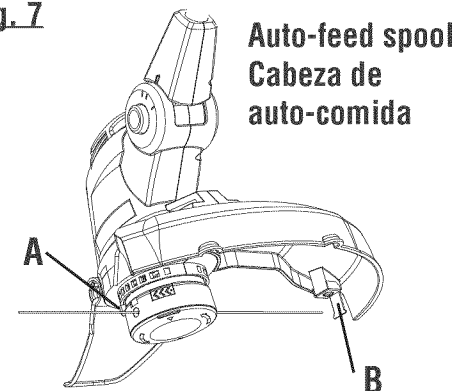


- A - Cord retainer (para enrollar el cable)
- B - Outlet end (extremo del enchufe)

**Fig. 6**

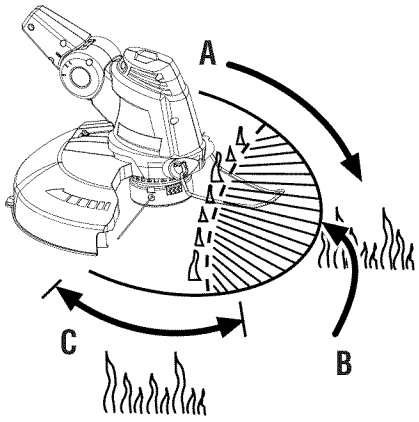


**Fig. 7**



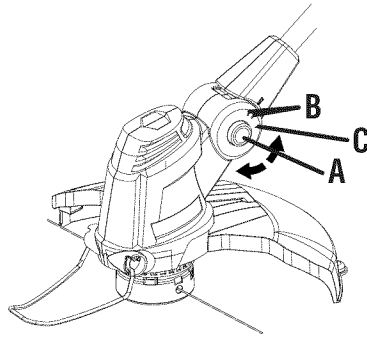
- A - Line Advancement Button (Line Advancement Button)
- B - Line Cutting Blade (Line Cutting Blade)

**Fig. 8**



- A - Direction of rotation (sentido de la rotación)
- B - Best cutting area (área de corte óptima)
- C - Hazardous cutting area (área de corte peligrosa)

**Fig. 10**

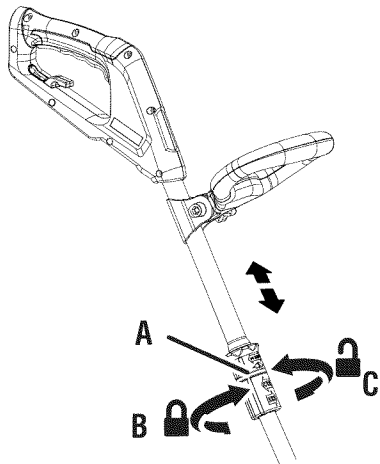


- A - Pivot button (botón del pivote)
- B - Notches 1 and 2: trimming and edging (muescas 1 y 2: rocartar y cortar bordes)
- C - Notch 3: storage position only (muesca 3: posición solamente)

**Fig. 13**

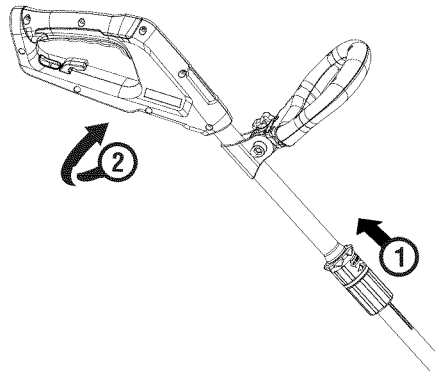


**Fig. 9**



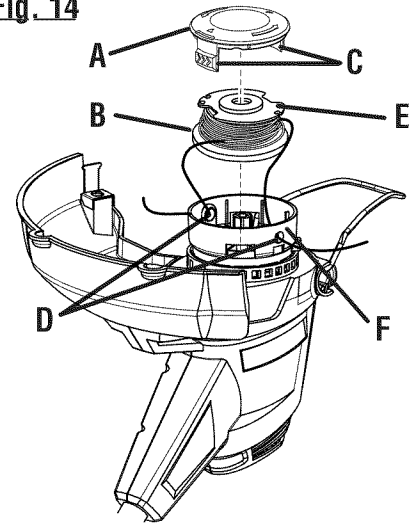
- A - Telescoping shaft coupler (acoplador del brazo telescópico)
- B - Tighten (apriete)
- C - Loosen (aflojar)

**Fig. 11**



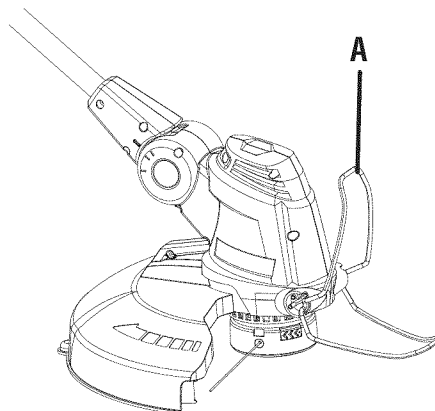
- A - Rear handle(mango trasero)
- B - Pull up edging coupler to rotate (arránquese el botón del recorte de bordes para rotar)

**Fig. 14**



- A - Spool retainer (retén del carrete)
- B - Spool (carrete)
- C - Tabs (pestañas)
- D - Eyelets (ranuras)
- E - Slots (ranuras)
- F - Line Head (Line Head)

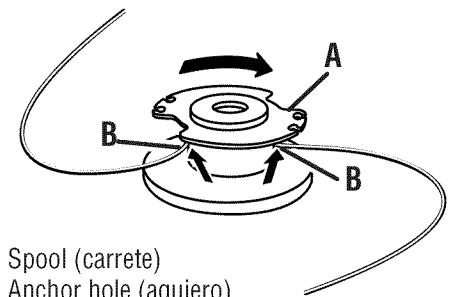
**Fig. 12**



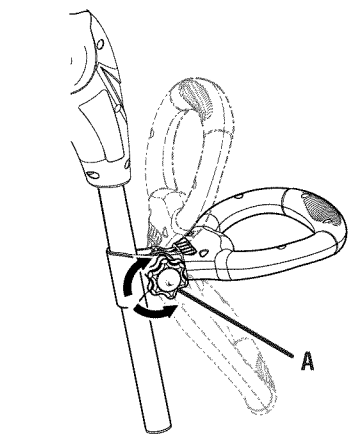
- A - Edger guide (guía para el recorte de bordes)

**Fig. 15**

**WIND CLOCKWISE  
ENROLLE HACIA LA DERECHA**



- A - Spool (carrete)
- B - Anchor hole (agujero)



- A - Knob (perilla)