

# Installation Instructions

## 27" Drop In Ranges

Questions? Call 1.800.GE.CARES (1.800.432.2737) or visit [www.GEAppliances.com](http://www.GEAppliances.com)  
In Canada, call 1.800.561.3344 or visit [www.GEAppliances.ca](http://www.GEAppliances.ca)

### BEFORE YOU BEGIN

Read these instructions completely and carefully.

- IMPORTANT** — Save these instructions for local inspector's use.
- IMPORTANT** — Observe all governing codes and ordinances.
- Note to Installer** — Be sure to leave these instructions with Consumer.

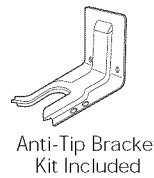
- Note to Consumer** — Keep these instructions for future reference.
- Skill level** — Installation of this appliance requires a qualified installer or electrician.
- Proper installation is the responsibility of the installer.
- Product failure due to improper installation is not covered under Warranty.

**ATTENTION INSTALLER:** All electric drop-ins must be hard-wired (direct-wired) into an approved junction box. A plug and receptacle is NOT permitted on these products.

### FOR YOUR SAFETY:

**WARNING**  
**Tip-Over Hazard**

- A child or adult can tip the range and be killed.
- Install the anti-tip bracket to the wall or floor.
- Engage the range to the anti-tip bracket by sliding the range back such that the foot is engaged.
- Re-engage the anti-tip bracket if the range is moved.
- Failure to do so can result in death or serious burns to children or adults.



**WARNING** Before beginning the installation, switch power off at service panel and lock the service disconnecting means to prevent power from being switched on accidentally. When the service disconnecting means cannot be locked, securely fasten a prominent warning device, such as a tag, to the service panel.

If you did not receive an anti-tip bracket with your purchase, call 1.800.626.8774 to receive one at no cost. (In Canada, call 1.800.561.3344.) For installation instructions of the bracket, visit: [www.GEAppliances.com](http://www.GEAppliances.com). (In Canada, [www.GEAppliances.ca](http://www.GEAppliances.ca).)

### MATERIALS YOU MAY NEED

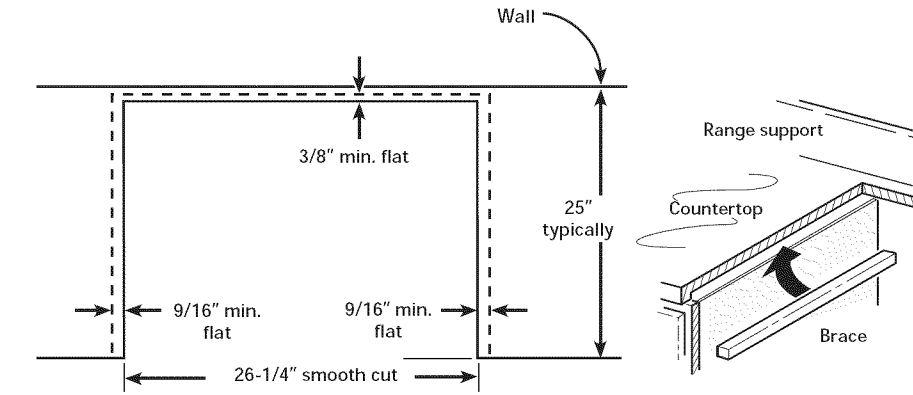
- Junction Box
- Wire Nuts
- Strain Relief Clamp for 1/2" Conduit

### TOOLS YOU MAY NEED

- 1/8" Drill Bit and Electric or Hand Drill
- Phillips Screwdriver
- Wire Strippers
- Hand or Saber Saw

### 2 PREPARING THE OPENING (FOR INDOOR USE ONLY)

See the Illustrations for all rough dimensions. The range may be placed with 0" clearance at the side cabinet.



Countertop thickness 1-1/2" min. is required to support the product. Countertop width 1-1/2" min. is required to properly support the 3/4" anti-tip screw. Braces must be installed between the underside of the countertop and the cabinet if required to obtain 1-1/2" minimum thickness (each side)

Make sure the wall coverings, counters and cabinets around the oven can withstand the heat (up to 200°F [93.3°C]) generated by the oven.

**This range is designed to hang from the counter top. It does not rest on the cabinet. The range must not be installed on a floor or sub structure (2" x 4" support)**

- Allow 30" minimum clearance between surface units and bottom of unprotected wood or metal cabinet, or allow a 24" minimum when bottom of wood or metal cabinet is protected by no less than 1/4" thick flame retardant millboard covered with not less than No 28 MSG sheet metal, (015"), .015" thick stainless steel, .024" aluminium or .020" copper.
  - This appliance has been approved for 0" spacing to adjacent surfaces above the cooktop. However, a 6" minimum spacing to surfaces less than 15" above the cooktop and adjacent cabinet is recommended to reduce exposure to steam, grease splatter and heat.
  - To reduce the risk of burns or fire when reaching over hot surface elements, cabinet storage space above the cooktop should be avoided. If cabinet storage space is to be provided above the cooktop, the risk can be reduced by installing a range hood that projects at least 5" beyond the front of the cabinets. Cabinets installed above the cooktop must be no deeper than 16".
- Locate a wiring junction box at the rear of the cutout. The dimension from the top of the wiring junction box to the countertop must be a minimum of 28-1/2". The box must not extend more than 3" off the plane of a wall. The junction box must be located where it will allow considerable slack in the range conduit, so that the range can be pulled for servicing if necessary.

### 3 ELECTRICAL REQUIREMENTS

#### WARNING Electric Shock Hazard

- This appliance must be properly grounded.
- Do not use an extension cord.
- Before installing range, switch power off at the service panel and lock the service disconnecting means to prevent power from being switched on accidentally. When the disconnection means cannot be locked, securely fasten a prominent warning device, such as a tag, to the service panel. Failure to follow these instructions may result in serious injury or death.

#### WARNING Fire Hazard

Improper connection of aluminum house wiring to copper leads can result in an electrical or fire hazard. If residence leads are aluminum, use only connectors designed for joining copper to aluminum and follow the manufacturer's recommended procedure closely. Failure to do so may result in serious injury or death.

We recommend you have the electrical wiring and hookup of your appliance connected by a qualified electrician. After installation, have the electrician show you how to disconnect power from the appliance. You must use a single-phase, 120/208 VAC or 120/240 VAC, 60 Hertz electrical system.

Effective January 1, 1996, the National Electrical Code requires that new construction (not existing) utilize a four-conductor connection to an electric oven. When installing an electric oven in new construction, a mobile home, recreational vehicle or an area where local codes prohibit grounding through the neutral conductor, refer to the section on four-conductor branch circuit connections.

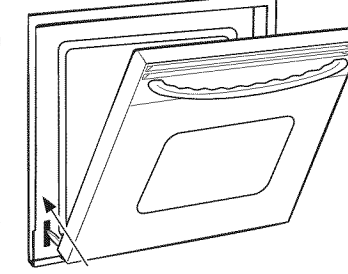
Check with your local utilities for electrical codes which apply in your area. Failure to wire your oven according to governing codes could result in a hazardous condition. If there are no local codes, your oven must be wired and fused to meet the National Electrical Code, NFPA No. 70 - latest edition, available from the National Fire Protection Association.

Rating plate is located on oven front frame and is visible when oven door is open.

This appliance must be supplied with the proper voltage and frequency, and connected to an individual, properly grounded, 40 amp (minimum) branch circuit protected by a circuit breaker or time-delay fuse.

DO NOT shorten the flexible conduit. The conduit strain relief clamp must be securely attached to the junction box and the flexible conduit must be securely attached to the clamp. If the flexible conduit will not fit within the clamp, do not install the oven until a clamp of the proper size is obtained.

The 3 power leads supplied with this appliance are suitable for connection to heavier gauge household wiring. The insulation of these 3 leads is rated for temperatures much higher than the temperature rating of the household wiring. The current-carrying capacity of the conductor is governed by the wire gauge and the temperature rating of the insulation around the wire.



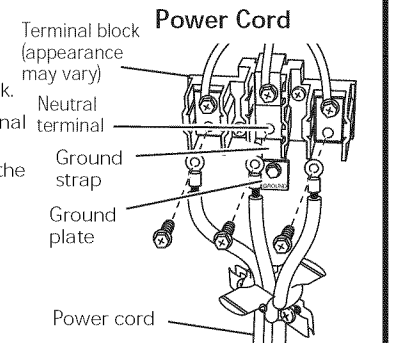
### 4 3-WIRE INSTALLATION

**WARNING:** The neutral or ground wire of the power cord must be connected to the neutral terminal located in the center of the terminal block. Ground strap must connect the neutral terminal to the ground plate. The power leads must be connected to the lower left and the lower right terminals of the terminal block.

DO NOT remove the ground strap connection.

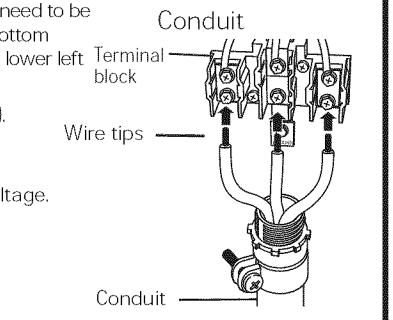
#### FOR POWER CORD INSTALLATION

- Remove the 3 lower terminal screws from the terminal block.
- Insert the 3 terminal screws through each power cord terminal ring and into the lower terminals of the terminal block. Be certain that the center wire (white/neutral) is connected to the center lower position of the terminal block.
- Tighten screws securely into the terminal block.



#### FOR CONDUIT INSTALLATION

- Loosen the 3 lower terminal screws on the terminal block. Strip wire to exposed tip about 5/8" long.
- Insert the center (white/neutral) wire tip through the bottom center terminal block opening. On certain models, the wire will need to be inserted through the ground strap opening and then into the bottom center block opening. Insert the two side bare wire tips into the lower left and the lower right terminal block openings.
- Tighten screws until the wire is firmly secured (35 to 50 inch-lbs.). Do not over-tighten the screws.



NOTE: ALUMINUM WIRING: Aluminum building wire may be used but it must be rated for the correct amperage and voltage.

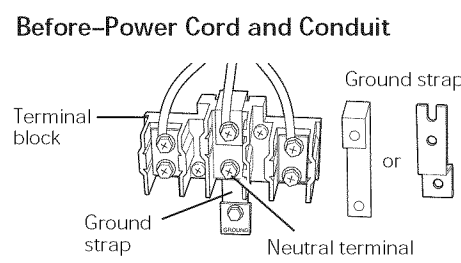
PROCEED TO 5.

### 1 REMOVE PACKAGING MATERIALS

Failure to remove packaging materials could result in damage to the appliance. Remove all packing parts from oven, racks and heating elements. Remove protective film and labels on the outer door and control panel. Also, remove plastic on trims and panel and all tape around the oven. Open oven door and remove literature pack and oven racks. Remove the bottom trim from the side of the oven. It will be installed at the end of the installation process. The trim is wrapped separately in a plastic bag which also contains the five screws to secure the bottom trim and the 4 anti-tip screws used to secure the product to the countertop. The plastic bag is taped to the side of the unit.

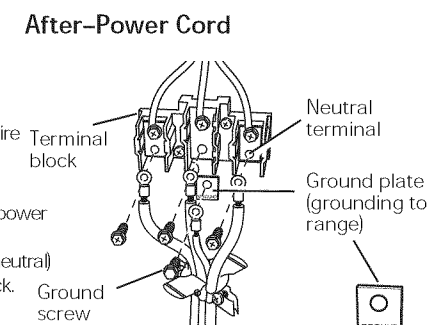
### 5 4-WIRE INSTALLATION

**WARNING:** The neutral wire of the supply circuit must be connected to the neutral terminal located in the lower center of the terminal block. The power leads must be connected to the lower left and the lower right terminals of the terminal block. The grounding lead must be connected to the frame of the range with the ground plate and the green ground screw.



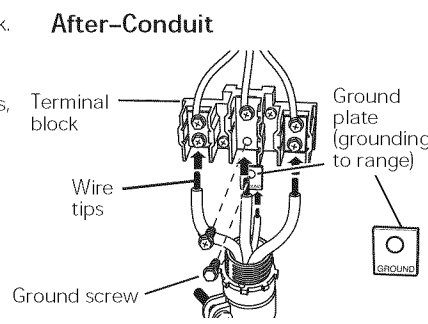
#### FOR POWER CORD INSTALLATION

- Remove the 3 lower terminal screws from the terminal block. Remove the ground screw and ground plate and retain them. **Cut and discard the ground strap. DO NOT DISCARD ANY SCREWS.**
- Insert the one ground screw into the power cord ground wire terminal ring, through the ground plate and into the frame of the range.
- Insert the 3 terminal screws (removed earlier) through each power cord terminal ring and into the lower terminals of the terminal block. Be certain that the center wire (white/neutral) is connected to the center lower position of the terminal block. Tighten screws securely into the terminal block.



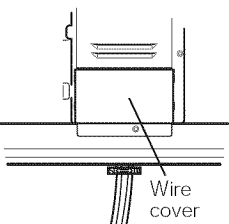
#### FOR CONDUIT INSTALLATION

- Loosen the 3 lower terminal screws on the terminal block. Strip wire to exposed tip about 5/8" long.
- Insert the center (white/neutral) wire tip through the bottom center terminal block opening. On certain models, the wire will need to be inserted through the ground strap opening and then into the bottom center block opening. Insert the two side bare wire tips into the lower left and the lower right terminal block openings.
- Tighten the screws until the wire is firmly secured (35 to 50 inch-lbs.). Do not over-tighten the screws.



### 6 REPLACE THE WIRE COVER

Replace wire cover on range back by sliding its left edge under the retaining tabs and replace the screws removed earlier. Make sure that no wires are pinched between cover and range back.



### 7 CHECK FOR PROPER INSTALLATION OF ANTI-TIP SCREWS

- Raise lift-up cooktop and support it with cooktop support rod so anti tip screws are visible. (see Section 6)
- Lower the oven door and gently apply a medium force to the inside of the door at the handle end.
- Properly installed screws will prevent any movement of the range when force is applied to the door. If movement occurs, refer to "Mounting the range in the opening" section.

### 8 WHEN INSTALLING RANGE IN COUNTERTOP WHICH IS CUT OUT TO THE WALL

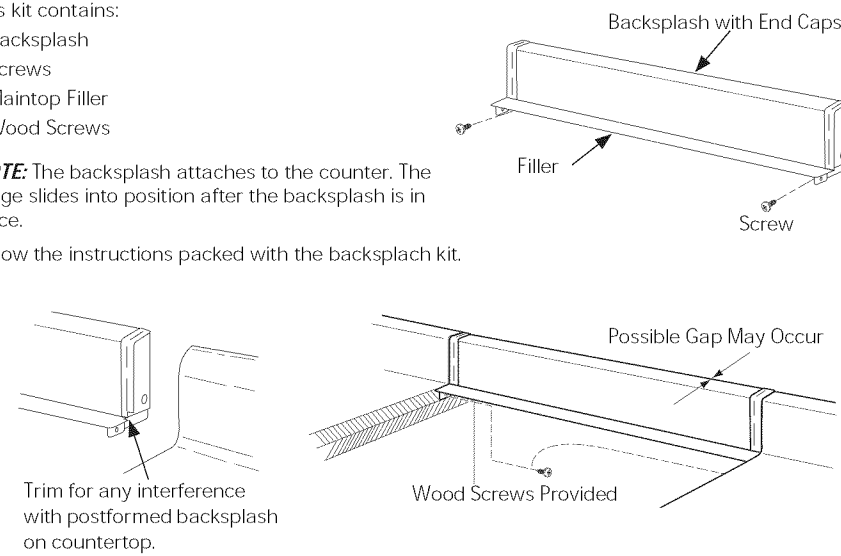
If you have an existing 27" wide cutout that goes all the way to the wall, you may want to buy a backsplash kit for your range. Order Kit JX27RWH (White) or Kit JX27RBK (Black). This kit will fill in the space between the back of the range and the wall.

#### BACKSPLASH KIT FOR 27" DROP-IN RANGES

- This kit contains:
- 1 Backsplash
  - 2 Screws
  - 1 Maintop Filler
  - 2 Wood Screws

**NOTE:** The backsplash attaches to the counter. The range slides into position after the backsplash is in place.

Follow the instructions packed with the backsplash kit.



### 9 MOUNTING THE RANGE IN THE OPENING

**WARNING**  
**Tip-Over Hazard**

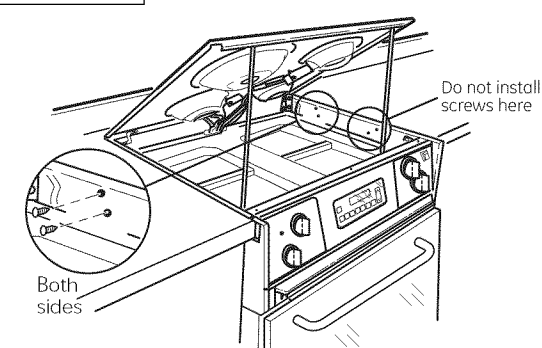
A child or adult can tip the range and be killed. Install the anti-tip device (screws or bracket) per instruction below. Re-engage the anti-tip bracket if the range is moved. Failure to follow these instructions can result in death or serious burns to children or adults.

**NOTE:** If the countertop is less than 1-1/2" thick, refer to "Preparing the opening" section.

#### Install Anti-Tip Screws

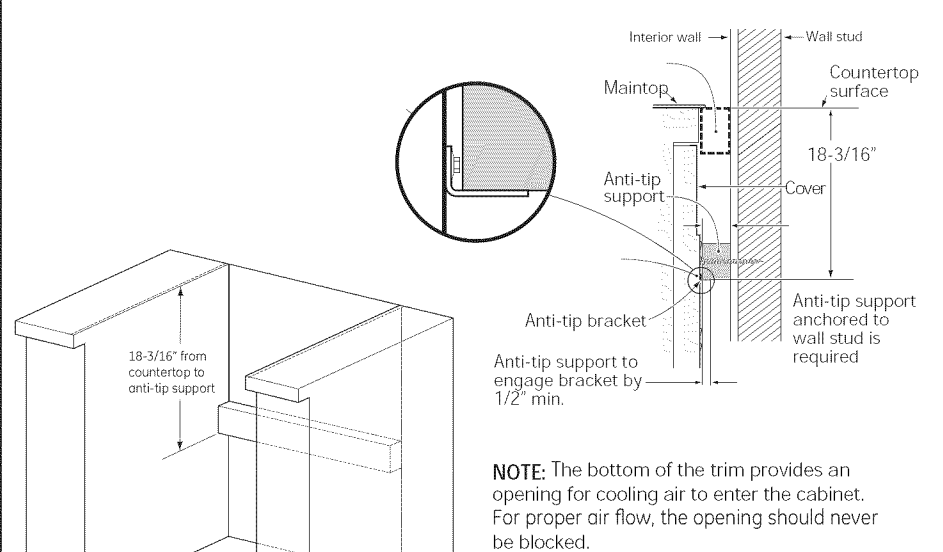
- Raise lift-up cooktop and support it with cooktop support rod.
- Drill 1/8" diameter pilot holes into the countertop using holes in upper side panels. Attach range to the countertop with four silver screws provided in the hardware bag taped to the side of the unit.

**NOTE:** Screws are (8 - 18 x .75").



If countertop screws cannot be used, an anti-tip support must be mounted to rear wall of the cutout. The anti-tip bracket support is typically a 2x4 piece of wood screwed directly into the wall studs. The anti-tip bracket support must be able to withstand 200 lbs. of force at the engagement point.

#### ANTI-TIP INSTALLATION WHEN COUNTERTOP SCREWS CANNOT BE USED



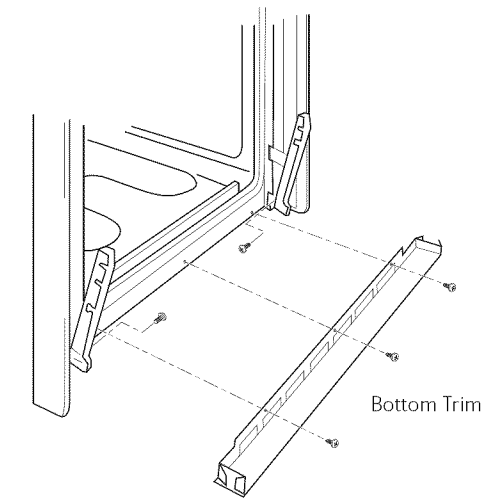
### 9 MOUNTING THE RANGE IN THE OPENING (CONT.)

#### Bottom Trim Installation

- Attach the bottom trim to the front frame and side trim with color matched screws provided in the hardware bag attached to the side of the unit.

#### Replace the Oven Door

- Hold the door over the hinges with the slots at the bottom edge of the door lined up with the hinges. The hinge arms must be in the broil stop position.
- Slide the door down onto the hinges as far as it will go and close the door



### 10 FINAL INSTALLATION CHECKLIST

- Check to make sure the circuit breaker is closed (RESET) or the circuit fuses are replaced.
- Be sure power is in service to the building.
- Check that all packing material and tape have been removed. Failure to remove these materials could result in damage to the appliance once the appliance has been turned on and surfaces have heated.
- Remove all items from inside the oven.
- Confirm that anti-tip device has been properly installed (see Section 6).
- Check that the bottom trim is installed properly (see Section 6).

#### OPERATION CHECKLIST

- Turn on one of the surface units to observe that the element glows within 60 seconds. Turn the unit off when glow is detected. If the glow is not detected within the time limit, recheck the range wiring connections. If change is required, retest again. If no change is required, have building wiring checked for proper connections and voltage.
- Check that the Clock display is energized. If a series of horizontal red lines appear in the display, disconnect power immediately. Recheck the range wiring connections. If change is made to connections, retest again. If no change is required, have building wiring checked for proper connections and voltage. It is recommended that the clock be changed if the red lines appear.
- Turn on the power to your oven (refer to Owner's manual). Verify that the bake and broil operate properly.
- See your owner's manual for trouble shooting list.
- Be sure all of the oven controls are OFF before leaving the oven.

