

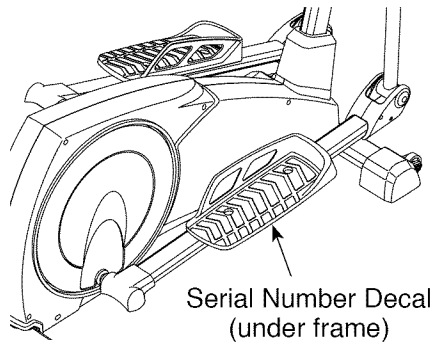
WESLO[®]

momentum CT 6.2

Model No. 831.21904.0

Serial No. _____

Write the serial number in the space above for reference.



- Assembly
- Operation
- Maintenance
- Part List and Drawing

Sears, Roebuck and Co.
Hoffman Estates, IL 60179

CAUTION

Read all precautions and instructions in this manual before using this equipment. Keep this manual for future reference.

ELLIPTICAL EXERCISER

User's Manual

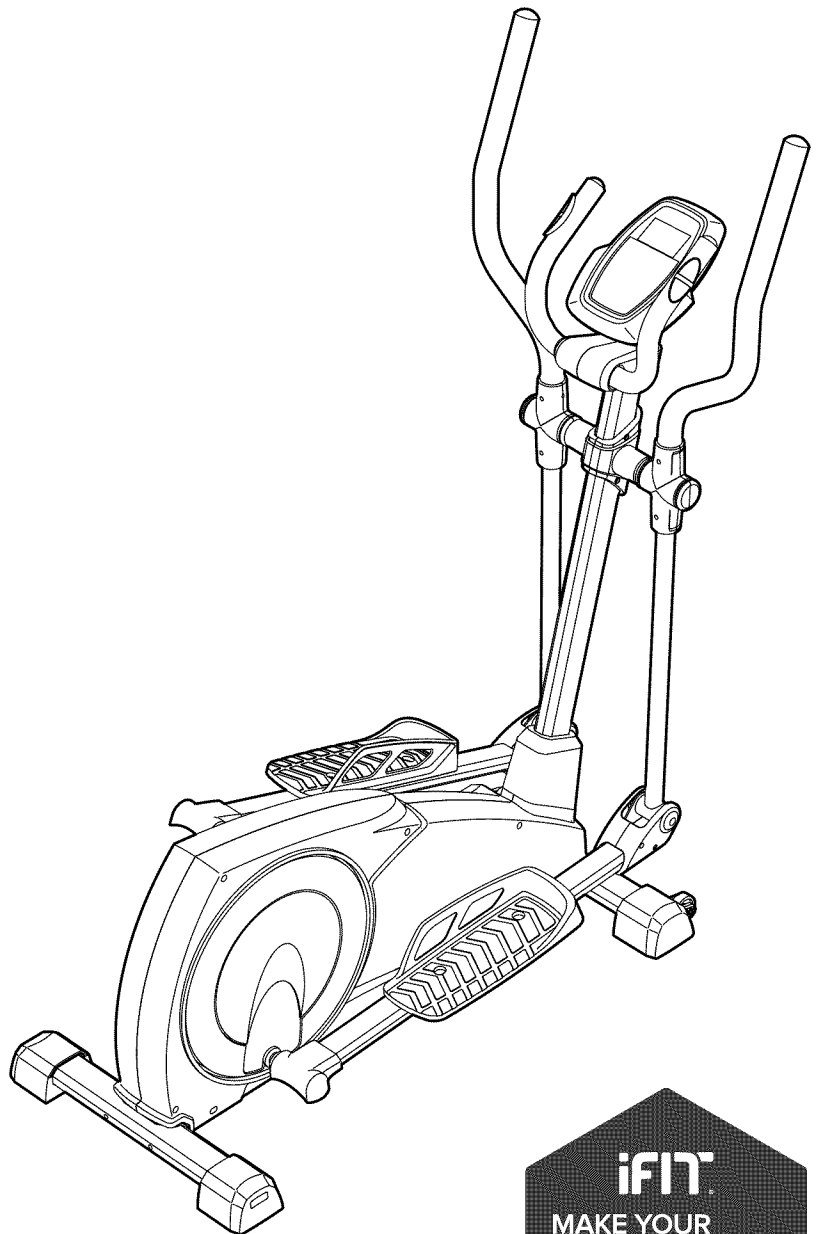


TABLE OF CONTENTS

WARNING DECAL PLACEMENT 2

IMPORTANT PRECAUTIONS..... 3

BEFORE YOU BEGIN..... 4

PART IDENTIFICATION CHART..... 5

ASSEMBLY..... 6

HOW TO USE THE ELLIPTICAL 13

FCC INFORMATION 17

MAINTENANCE AND TROUBLESHOOTING 18

EXERCISE GUIDELINES 19

PART LIST..... 20

EXPLODED DRAWING..... 22

ORDERING REPLACEMENT PARTS..... Back Cover


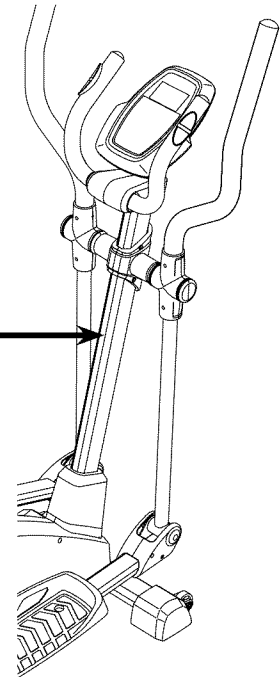
90 DAY FULL WARRANTY..... Back Cover

WARNING DECAL PLACEMENT

This drawing shows the location(s) of the warning decal(s). **If a decal is missing or illegible, call 1-866-699-3756 and request a free replacement decal. Apply the decal in the location shown.** Note: The decal(s) may not be shown at actual size.

WARNING
ADVERTENCIA

- Misuse of this machine may result in serious injury.
- Read user's manual prior to use and follow all warnings and instructions.
- Do not allow children on or around machine.
- Pedals continue to spin when you stop pedaling.
- Spinning pedals can cause injury.
- Reduce pedal speed in a controlled manner.
- User weight must not exceed 250 pounds.
- Replace label if damaged, illegible, or removed.
- Mal uso de esta máquina puede resultar en graves lesiones.
- Lea el manual del usuario antes del uso y siga todas las precauciones e instrucciones.
- No deje a niños en o alrededor de la máquina.
- Los pedales continúan a girar cuando usted para de empujar a los pedales.
- Los pedales al girar pueden causar heridas.
- Reduzca la velocidad de los pedales en forma controlada.
- El peso del usuario no debe exceder 113 kg.
- Reemplace la calcomanía si está dañada, ilegible, o faltando.

IMPORTANT PRECAUTIONS

⚠️ WARNING: To reduce the risk of serious injury, read all important precautions and instructions in this manual and all warnings on your elliptical before using your elliptical. Sears assumes no responsibility for personal injury or property damage sustained by or through the use of this product.

1. It is the responsibility of the owner to ensure that all users of the elliptical are adequately informed of all precautions.
2. Before beginning any exercise program, consult your physician. This is especially important for persons over age 35 or persons with pre-existing health problems.
3. Use the elliptical only as described in this manual.
4. The elliptical is intended for home use only. Do not use the elliptical in a commercial, rental, or institutional setting.
5. Keep the elliptical indoors, away from moisture and dust. Do not put the elliptical in a garage or covered patio, or near water.
6. Place the elliptical on a level surface, with at least 3 ft. (0.9 m) of clearance in the front and rear of the elliptical and 2 ft. (0.6 m) on each side. To protect the floor or carpet from damage, place a mat under the elliptical.
7. Inspect and properly tighten all parts regularly. Replace any worn parts immediately.
8. Keep children under age 12 and pets away from the elliptical at all times.
9. The elliptical should not be used by persons weighing more than 250 lbs. (113 kg).
10. Wear appropriate clothes while exercising; do not wear loose clothes that could become caught on the elliptical. Always wear athletic shoes for foot protection while exercising.
11. Hold the handlebars or the upper body arms when mounting, dismounting, or using the elliptical.
12. The heart rate monitor is not a medical device. Various factors may affect the accuracy of heart rate readings. The heart rate monitor is intended only as an exercise aid in determining heart rate trends in general.
13. The elliptical does not have a freewheel; the pedals will continue to move until the flywheel stops. Reduce your pedaling speed in a controlled way.
14. Keep your back straight while using the elliptical; do not arch your back.
15. Over exercising may result in serious injury or death. If you feel faint or if you experience pain while exercising, stop immediately and cool down.

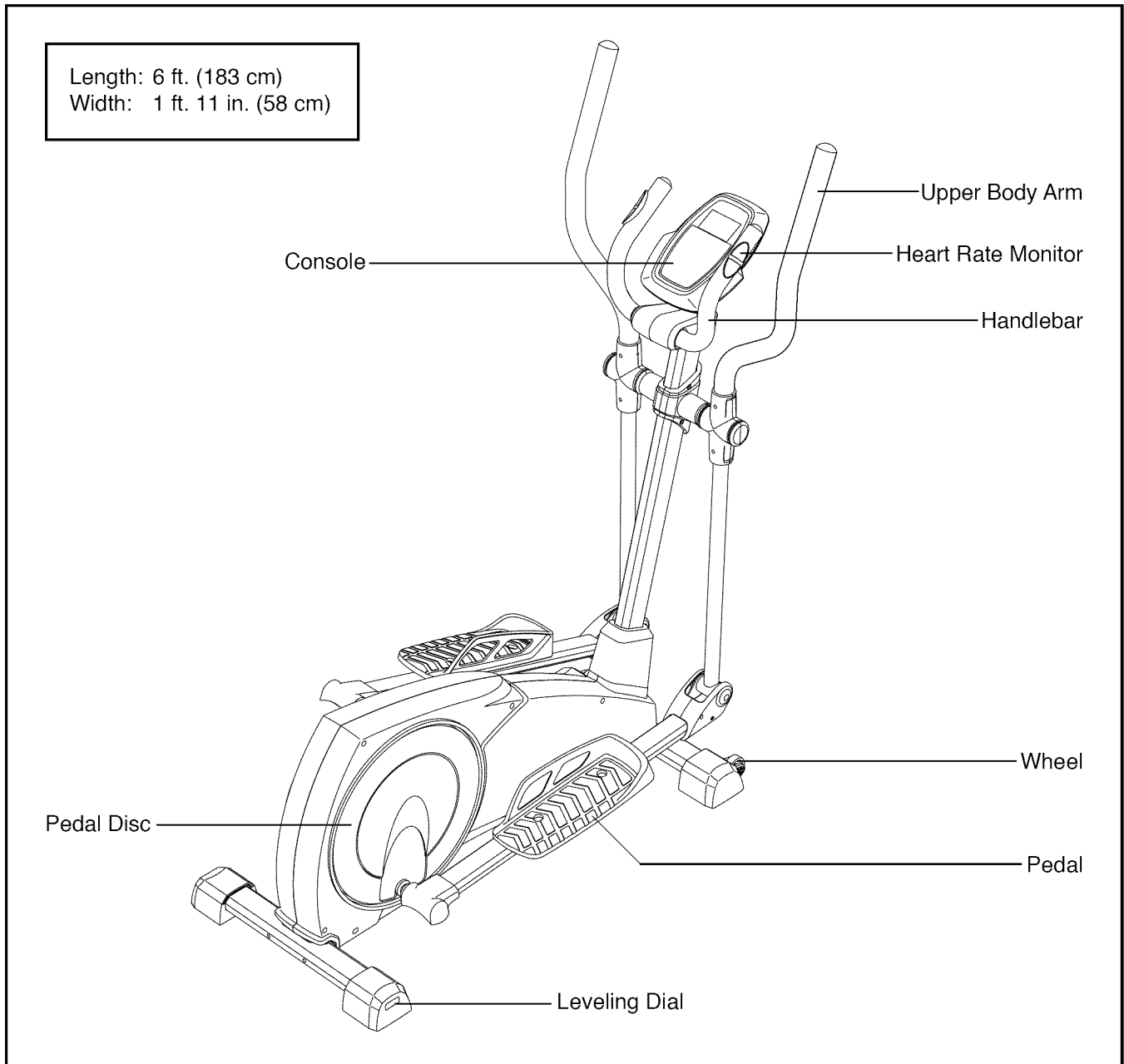
BEFORE YOU BEGIN

Thank you for selecting the new WESLO® MOMENTUM CT 6.2 elliptical. The MOMENTUM CT 6.2 elliptical provides a selection of features designed to make your workouts at home more effective and enjoyable.

For your benefit, read this manual carefully before you use the elliptical. If you have questions after

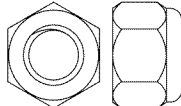
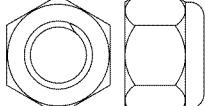

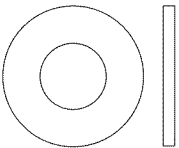
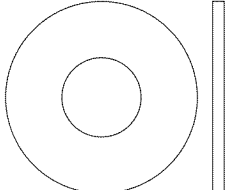
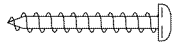
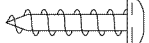
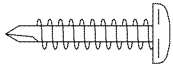
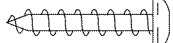
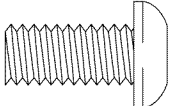
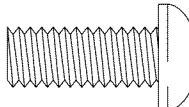
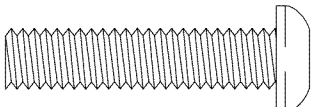
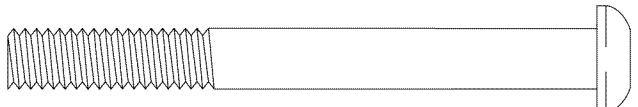
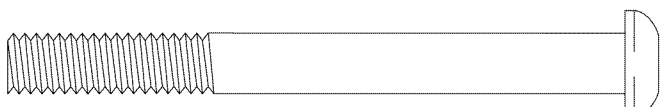
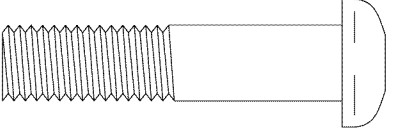
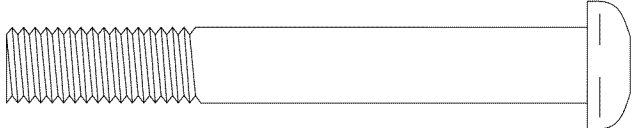
reading this manual, please see the back cover of this manual. To help us assist you, note the product model number and serial number before contacting us. The model number and the location of the serial number decal are shown on the front cover of this manual.

Before reading further, please familiarize yourself with the parts that are labeled in the drawing below.



PART IDENTIFICATION CHART

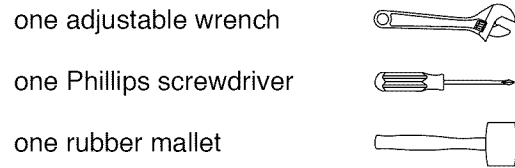
Use the drawings below to identify the small parts needed for assembly. The number in parentheses below each drawing is the key number of the part, from the PART LIST near the end of this manual. The number following the key number is the quantity needed for assembly. **Note: If a part is not in the hardware kit, check to see if it has been preassembled. Extra parts may be included. If a part is missing, please call 1-866-699-3756.**

				
M8 Locknut (27)–6	M10 Locknut (32)–6	M8 Split Washer (8)–10	M8 Washer (71)–10	M10 Washer (10)–6
				
M3 x 20mm Screw (79)–4	M4 x 16mm Screw (2)–4	M4 x 20mm Self-tapping Screw (45)–2	M4 x 20mm Screw (93)–6	M8 x 16mm Screw (35)–4
				
M8 x 20mm Screw (7)–3	M8 x 36mm Bolt (22)–4	M8 x 78mm Bolt (38)–2		
				
M8 x 82mm Screw (53)–4		M10 x 45mm Bolt (39)–4		
				
M10 x 76mm Bolt (30)–2				

ASSEMBLY

- Assembly requires two persons.
- Place all parts in a cleared area and remove the packing materials. Do not dispose of the packing materials until you finish all assembly steps.
- Left parts are marked “L” or “Left” and right parts are marked “R” or “Right.”
- To identify small parts, see page 5.

- In addition to the included tool(s), assembly requires the following tools:



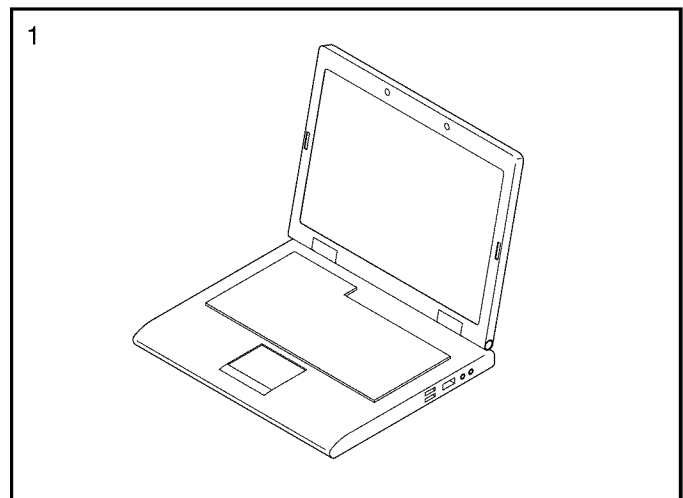
Assembly may be easier if you have a set of wrenches. To avoid damaging parts, do not use power tools.

1. Go to www.wesloservice.com/registration on your computer and register your product.

Registration provides the following benefits:

- activates your product manufacturer’s warranty
- saves you time if you ever need to contact Customer Care
- allows us to notify you of upgrades and offers

Note: If you do not have Internet access, call 1-866-699-3756 to register your product.

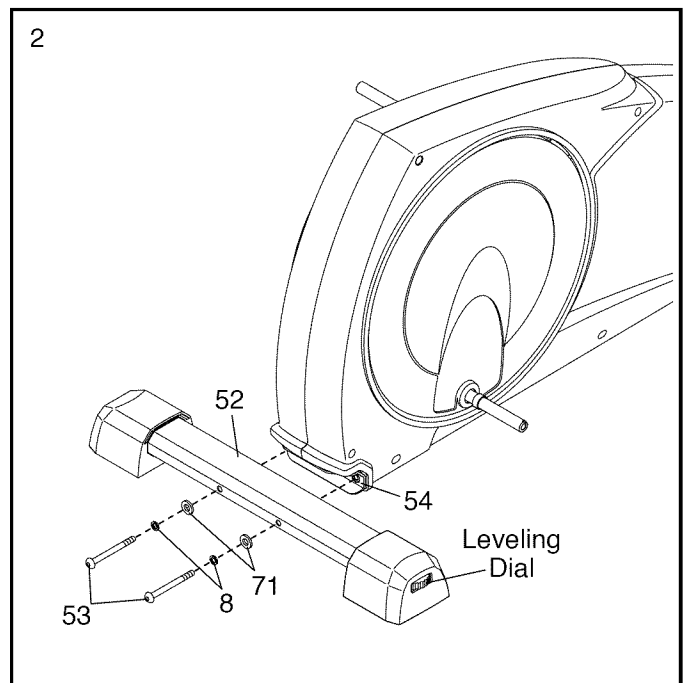


2. Identify the Rear Stabilizer (52), which does not have wheels.

Set a sturdy piece of packing material under the rear of the Frame (54). **Have a second person hold the Frame to prevent it from tipping while you complete this step.**

Attach the Rear Stabilizer (52) to the Frame (54) with two M8 x 82mm Screws (53), two M8 Split Washers (8), and two M8 Washers (71).

Remove the packing material.

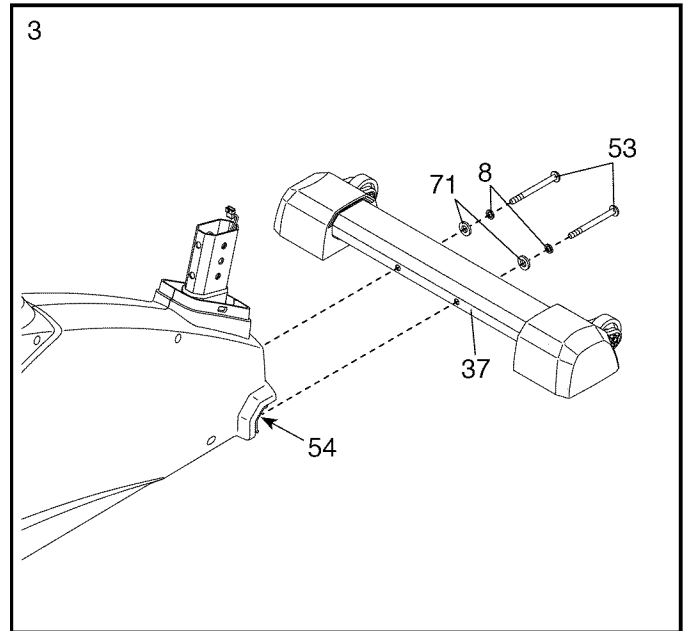


3. If there is a cardboard tube (not shown) on the front the Frame (54), remove and discard the attachment screw and the cardboard tube.

Set a sturdy piece of packing material under the front of the Frame (54). **Have a second person hold the Frame to prevent it from tipping while you complete this step.**

Attach the Front Stabilizer (37) to the Frame (54) with two M8 x 82mm Screws (53), two M8 Split Washers (8), and two M8 Washers (71).

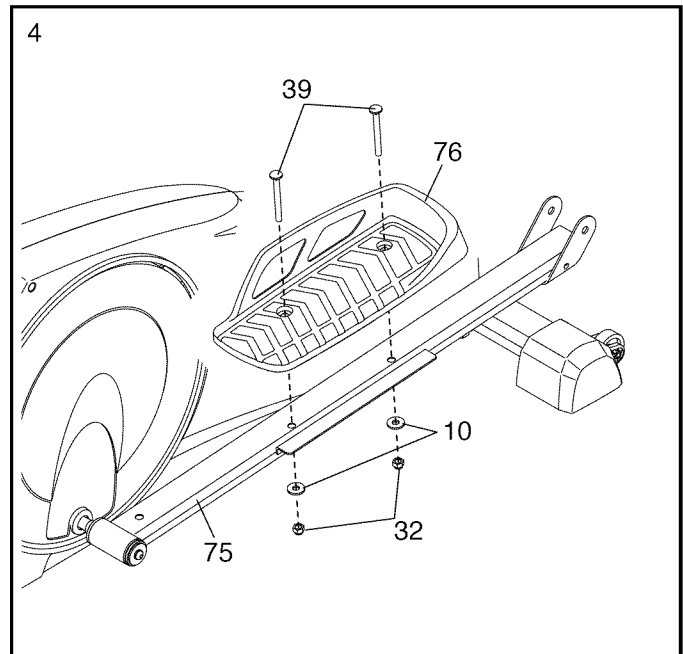
Remove the packing material.



4. Orient the Right Pedal (76) as shown.

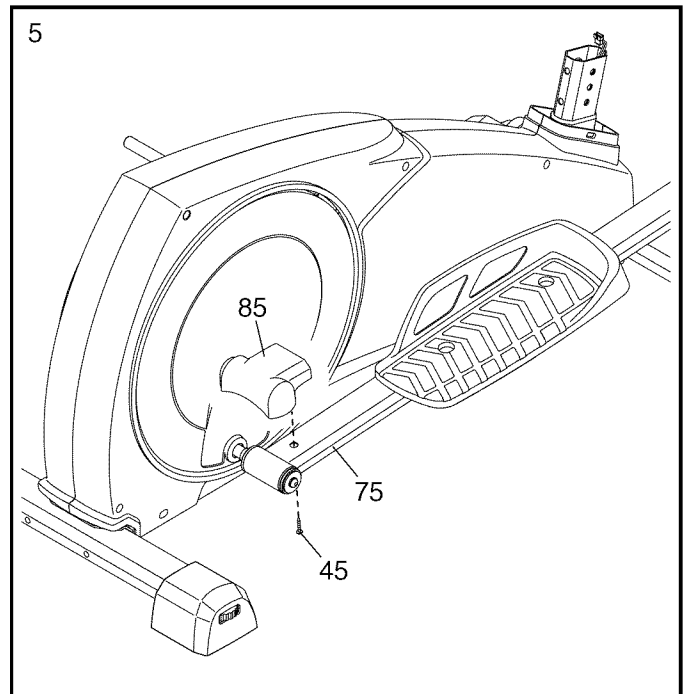
Attach the Right Pedal (76) to the Right Pedal Arm (75) with two M10 x 45mm Bolts (39), two M10 Washers (10), and two M10 Locknuts (32).

Attach the Left Pedal (not shown) to the Left Pedal Arm (not shown) in the same way.



5. Attach the Right Pedal Arm Cover (85) to the Right Pedal Arm (75) with an M4 x 20mm Self-tapping Screw (45).

Repeat this step on the other side of the elliptical.



6. Orient the Upright (9) and the Lower Upright Cover (83) as shown. Slide the Lower Upright Cover upward onto the Upright.

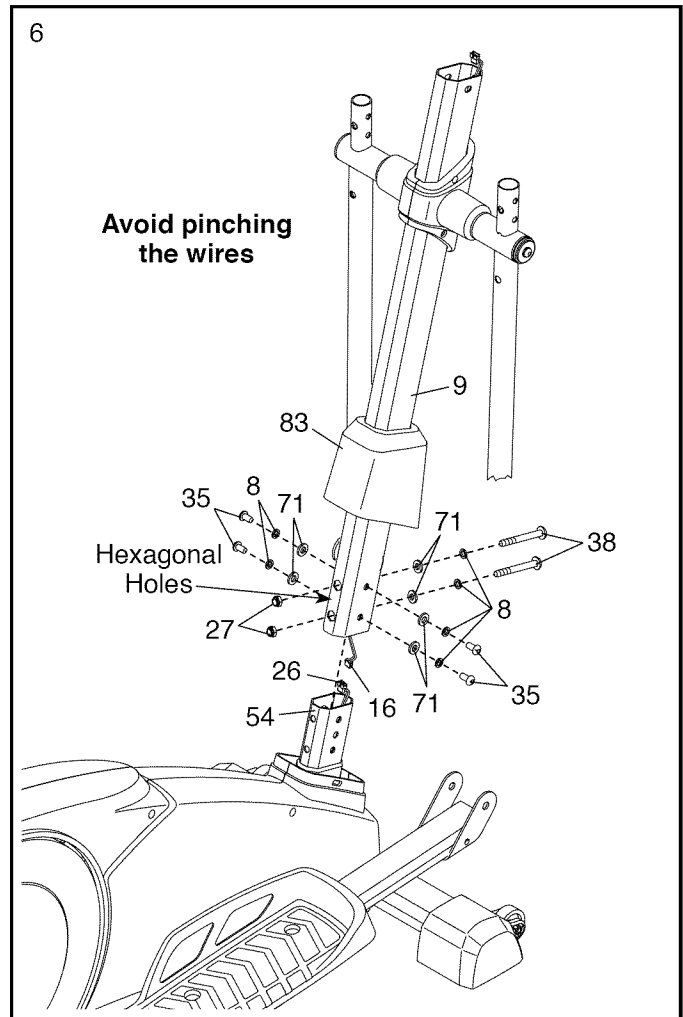
Have a second person hold the Upright (9) and the Lower Upright Cover (83) near the Frame (54). Connect the Extension Wire (16) to the Main Wire (26).

Tip: Avoid pinching the wires. Slide the Upright (9) onto the Frame (54).

Attach the Upright (9) with two M8 x 78mm Bolts (38), two M8 Split Washers (8), two M8 Washers (71), and two M8 Locknuts (27). **Make sure that the Locknuts are inside the hexagonal holes. Do not fully tighten the Bolts yet.**

Then, attach the Upright (9) with four M8 x 16mm Screws (35), four M8 Split Washers (8), and four M8 Washers (71). **Do not fully tighten the Screws yet.**

Slide the Lower Upright Cover (83) downward to the Frame (54). **Do not press the Lower Upright Cover into place yet.**

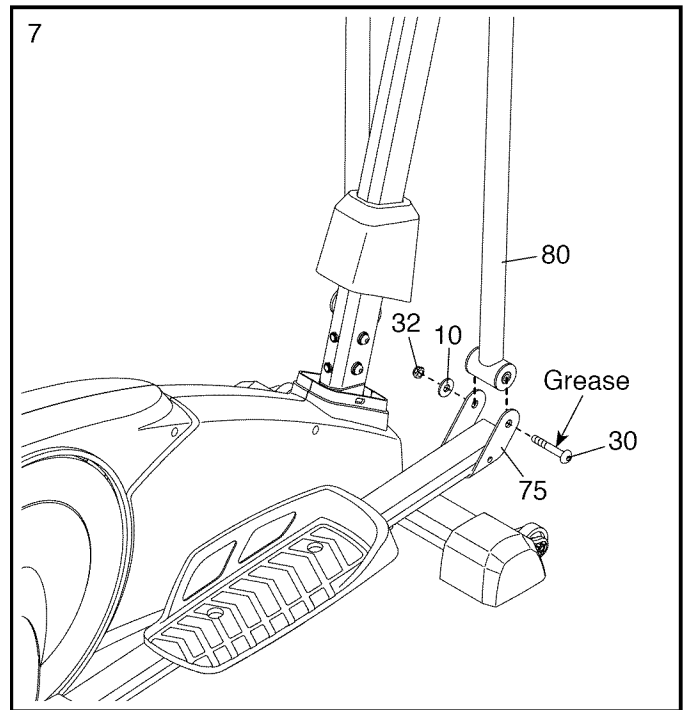


7. Apply a small amount of grease to an M10 x 76mm Bolt (30).

Hold the end of the Right Upper Body Leg (80) inside the bracket on the Right Pedal Arm (75).

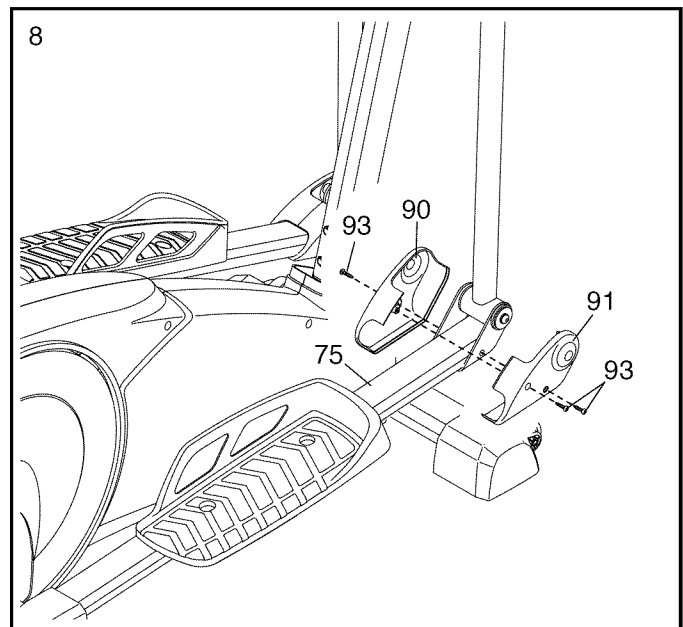
Attach the Right Upper Body Leg (80) to the Right Pedal Arm (75) with the M10 x 76mm Bolt (30), an M10 Washer (10), and an M10 Locknut (32). **Do not overtighten the Bolt; the Right Upper Body Leg must pivot freely.**

Repeat this step on the other side of the elliptical.



8. Attach a set of Left and Right Upper Body Leg Covers (90, 91) to the Right Pedal Arm (75) with three M4 x 20mm Screws (93).

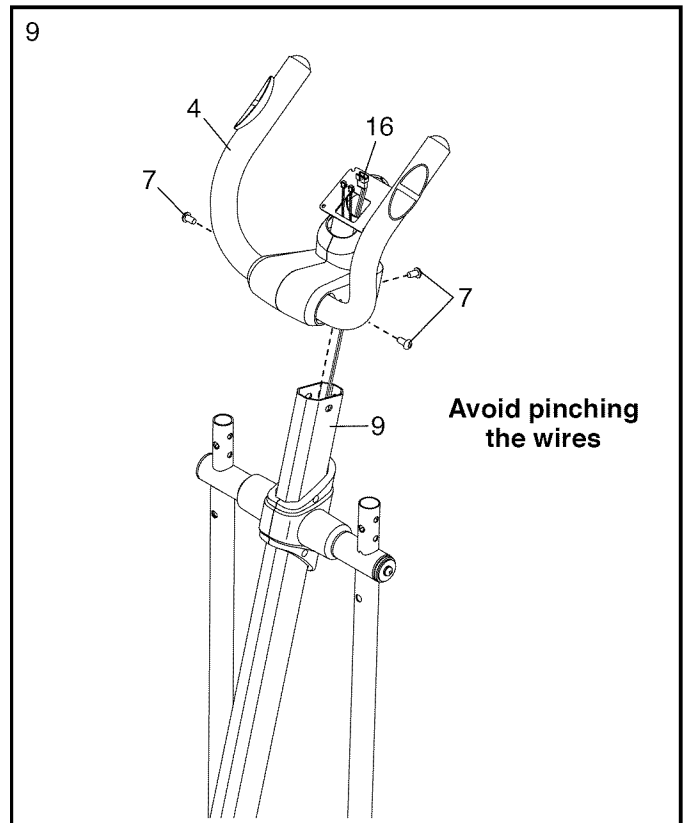
Repeat this step on the other side of the elliptical.



9. Orient the Handlebar (4) as shown.

Have a second person hold the Handlebar (4) near the Upright (9). Insert the Extension Wire (16) into the Handlebar and pull it out of the top of the Handlebar.

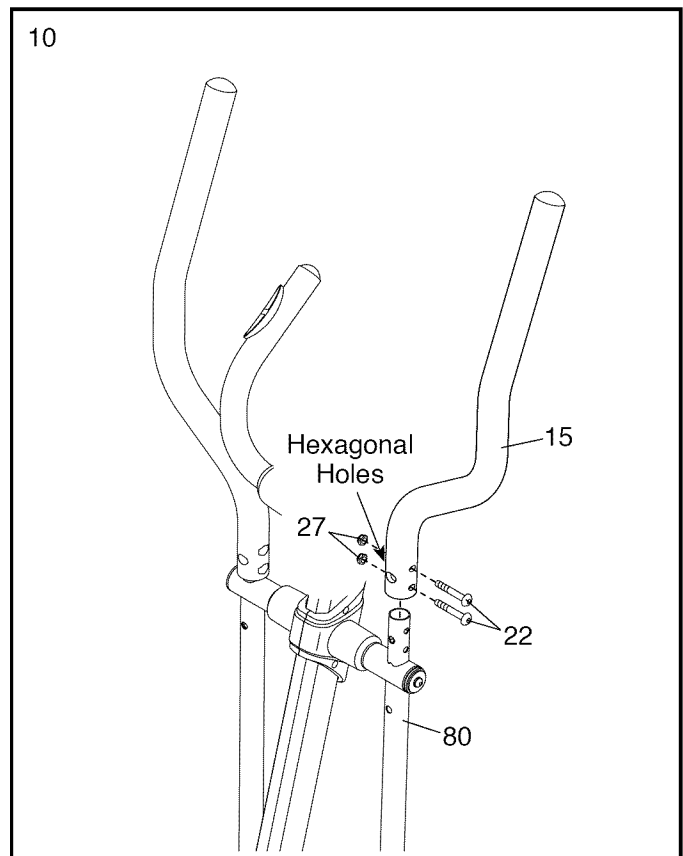
Tip: Avoid pinching the wires. Attach the Handlebar (4) to the Upright (9) with three M8 x 20mm Screws (7).



10. Slide the Right Upper Body Arm (15) onto the Right Upper Body Leg (80).

Attach the Right Upper Body Arm (15) with two M8 x 36mm Bolts (22) and two M8 Locknuts (27). **Make sure that the Locknuts are inside the hexagonal holes.**

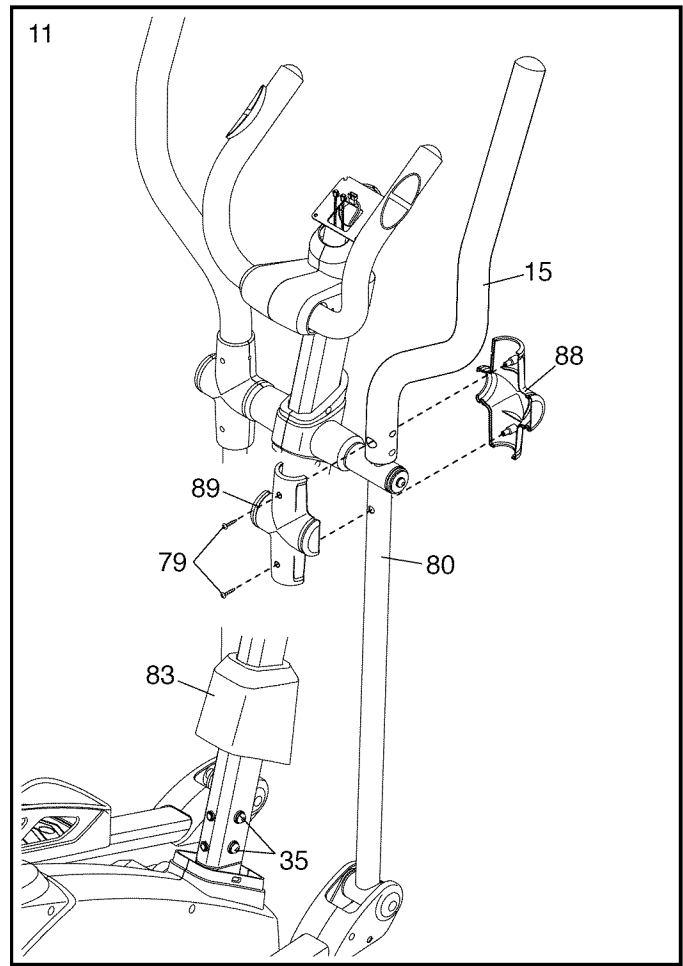
Repeat this step on the other side of the elliptical.



11. Attach a set of Upper Body Covers A and B (88, 89) to the Right Upper Body Arm (15) and the Right Upper Body Leg (80) with two M3 x 20mm Screws (79).

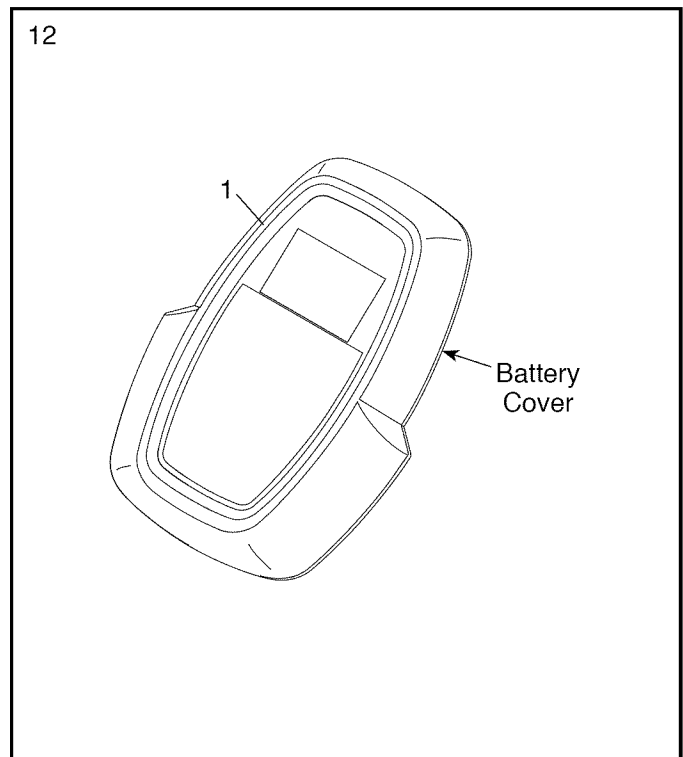
Repeat this step on the other side of the elliptical.

See assembly step 6. Tighten the M8 x 78mm Bolts (38) and the M8 x 16mm Screws (35). Then, press the Lower Upright Cover (83) into place.



12. The Console (1) can use four AA batteries (not included); alkaline batteries are recommended. Do not use old and new batteries together or alkaline, standard, and rechargeable batteries together. **IMPORTANT: If the Console has been exposed to cold temperatures, allow it to warm to room temperature before you insert batteries. Otherwise, you may damage the console displays or other electronic components.**

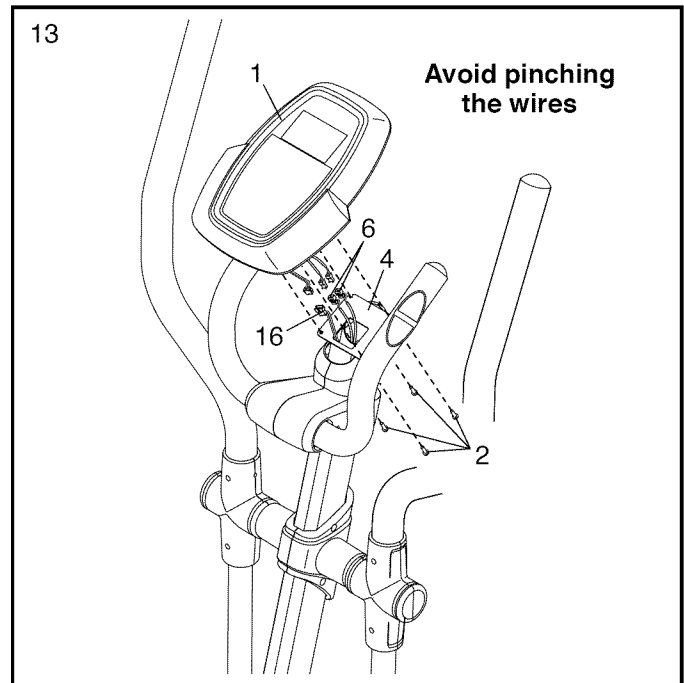
Remove the battery cover from the back of the Console (1), and insert batteries into the battery compartment. **Make sure to orient the batteries as shown by the diagram inside the battery compartment.** Then, reattach the battery cover.



13. While a second person holds the Console (1) near the Handlebar (4), connect the console wires to the Extension Wire (16) and to the Pulse Wires (6).

Insert the excess wire into the Console (1) or into the Handlebar (4).

Tip: Avoid pinching the wires. Attach the Console (1) to the Handlebar (4) with four M4 x 16mm Screws (2).

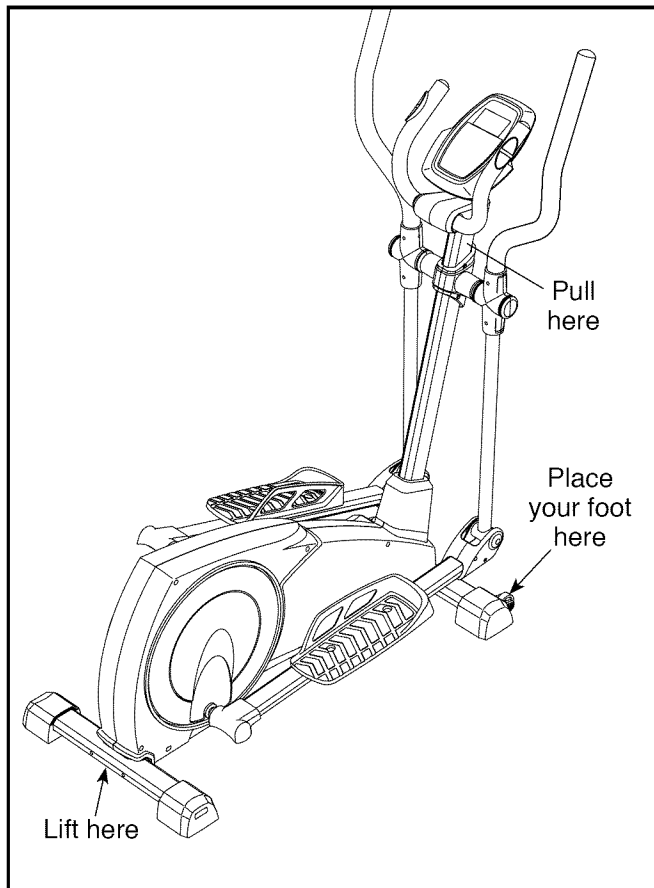


14. **Make sure that all parts of the elliptical are properly tightened.** Note: Extra parts may be included. To protect the floor or carpet from damage, place a mat under the elliptical.

HOW TO USE THE ELLIPTICAL

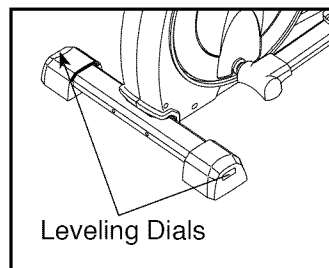
HOW TO MOVE THE ELLIPTICAL

Due to the size and weight of the elliptical, moving it requires two persons. Stand in front of the elliptical, hold the upright, and place one foot against one of the wheels. Pull on the upright and have a second person lift the rear stabilizer until the elliptical will roll on the wheels. Carefully move the elliptical to the desired location, and then lower it to the floor.



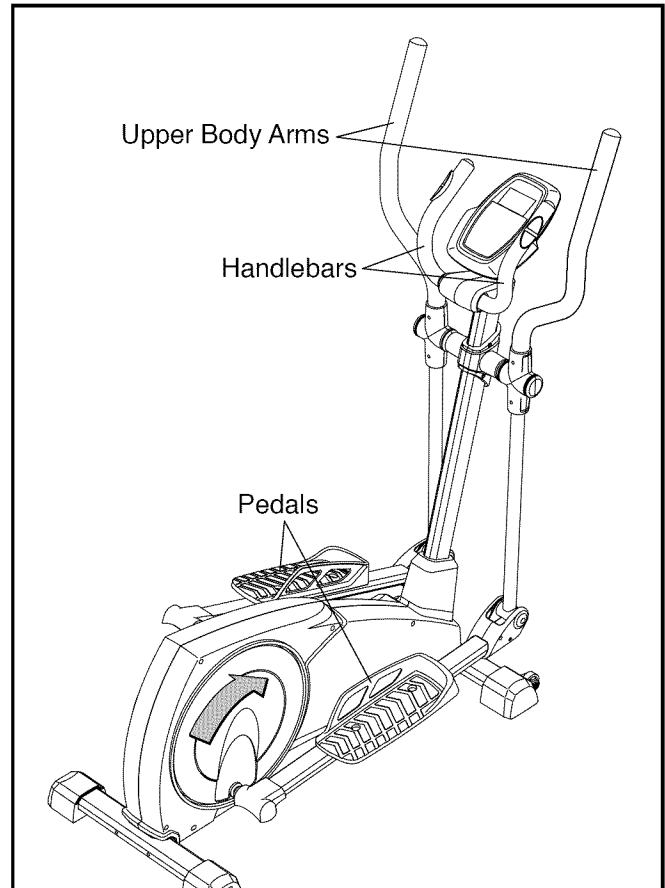
HOW TO LEVEL THE ELLIPTICAL

If the elliptical rocks slightly on your floor during use, turn the dial on one or both of the leveling feet on the rear stabilizer until the rocking motion is eliminated.



HOW TO EXERCISE ON THE ELLIPTICAL

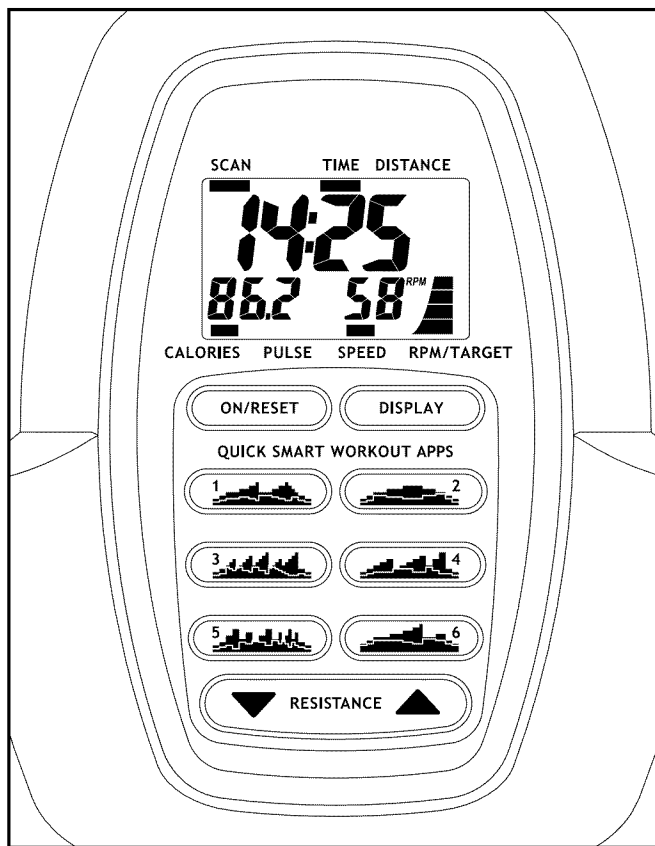
To mount the elliptical, hold the handlebars or the upper body arms and step onto the pedal that is in the lower position. Then, step onto the other pedal.



Push the pedals until they begin to move with a continuous motion. **Note: The pedal discs can turn in either direction. It is recommended that you move the pedal discs in the direction shown by the arrow; however, for variety, you can turn the pedal discs in the opposite direction.**

To dismount the elliptical, wait until the pedals come to a complete stop. **Note: The elliptical does not have a free wheel; the pedals will continue to move until the flywheel stops.** When the pedals are stationary, step off the higher pedal first. Then, step off the lower pedal.

CONSOLE DIAGRAM



FEATURES OF THE CONSOLE

The console offers a selection of features designed to make your workouts more effective.

When you use the manual mode of the console, you can change the resistance of the pedals with the touch of a button. As you pedal, the console will provide continuous exercise feedback. You can even measure your heart rate using the handgrip heart rate monitor.

The console also offers six quick smart workout apps that automatically change the resistance of the pedals and prompt you to vary your pedaling pace while guiding you through an effective workout.

Before using the console, make sure that batteries are installed (see assembly step 12 on page 11). If there is a sheet of plastic on the display, remove the plastic.

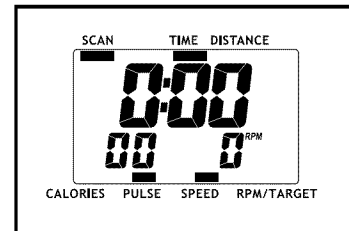
HOW TO USE THE MANUAL MODE

1. Turn on the console.

To turn on the console, press the On/Reset button or begin pedaling. The entire display will turn on for a moment; the console will then be ready for use.

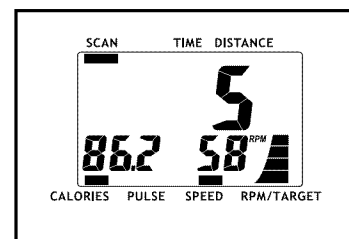
2. Select the manual mode.

When you turn on the console, the manual mode will be selected. If you have selected a workout, reselect the manual mode by pressing any of the Quick Smart Workout Apps buttons repeatedly until zeros appear in the display.



3. Change the resistance of the pedals as desired.

As you pedal, change the resistance of the pedals by pressing the Resistance increase and decrease buttons.



Note: After you press the buttons, it will take a moment for the pedals to reach the selected resistance level.

4. Follow your progress with the display.

The console has several displays that show the following workout information:

Speed—This display shows your pedaling speed, in revolutions per minute (rpm).

Time—This display shows the elapsed time.
Note: When a workout is selected, the display shows the time remaining in the workout instead of the elapsed time.

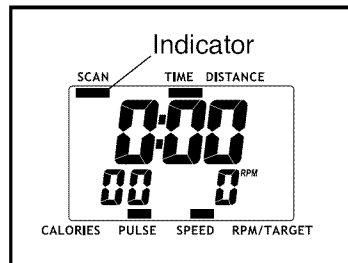
Distance—This display shows the distance you have pedaled, in total revolutions.

Calories—This display shows the approximate number of calories you have burned.

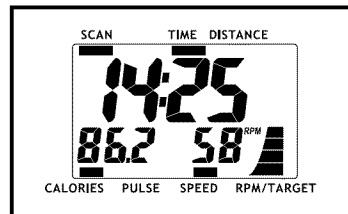
Pulse—This display shows your heart rate when you use the handgrip heart rate monitor.

Scan—When you select this display option, the upper section of the display will show both time and distance information, and the lower left section of the display will show calories information.

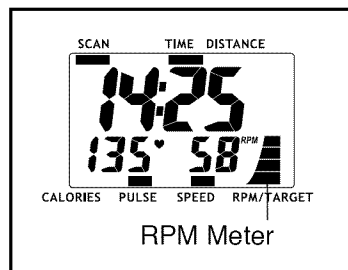
When you turn on the console, the scan display will be selected automatically. An indicator will appear below the word SCAN to show that the scan display is selected.



As you exercise, the upper section of the display will alternately show the elapsed time and the distance that you have pedaled; the lower left section of the display will show the number of calories you have burned. The lower right section of the display will show your pedaling speed.



In addition, the RPM meter on the right side of the display will provide a visual representation of your pedaling speed. As you increase or decrease your pace, bars will appear or disappear in the RPM meter.



To cancel the scan mode, press the Display button. The indicator below the word SCAN will disappear. The upper section of the display will then show only the elapsed time. If you press the Display button again, the upper section of the display will show

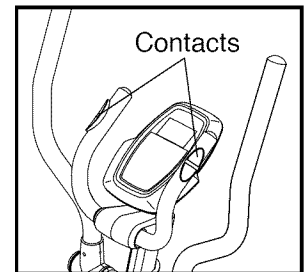
only the distance pedaled. To select the scan mode again, press the Display button repeatedly until an indicator appears below the word SCAN.

To reset the display, press the On/Reset button. To pause the console, stop pedaling. When the console is paused, the time will flash in the display. To continue your workout, simply resume pedaling.

5. Measure your heart rate if desired.

Note: If there are sheets of plastic on the metal contacts of the handgrip heart rate monitor, remove the plastic.

To measure your heart rate, hold the handgrip heart rate monitor, with your palms resting against the contacts. **Avoid moving your hands or gripping the contacts tightly.**



When your pulse is detected, the heart-shaped indicator in the display will flash each time your heart beats and two dashes will appear. After a moment, your heart rate will be shown in the display.

For the most accurate heart rate reading, continue to hold the contacts for about 15 seconds.

Note: If you continue to hold the handgrip heart rate monitor, the display will show your heart rate for up to 30 seconds. The display will then show your heart rate along with the other modes.

If your heart rate is not shown, make sure that your hands are positioned as described. Be careful not to move your hand excessively or to squeeze the contacts too tightly. For optimal performance, clean the contacts using a soft cloth; **never use alcohol, abrasives, or chemicals to clean the contacts.**

6. When you are finished exercising, the console will turn off automatically.

If the pedals do not move for a few seconds, the time will flash in the display and the console will pause.

If the pedals do not move for a few minutes, the console will turn off and the display will be reset.

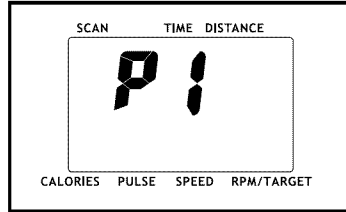
HOW TO USE A QUICK SMART WORKOUT APP

1. Turn on the console.

To turn on the console, press the On/Reset button or begin pedaling. The entire display will turn on for a moment; the console will then be ready for use.

2. Select a quick smart workout app.

To select a quick smart workout app, press the desired Quick Smart Workout Apps button. The name of the workout will appear in the display.



A few seconds after you select a quick smart workout app, the display will show the duration of the workout.

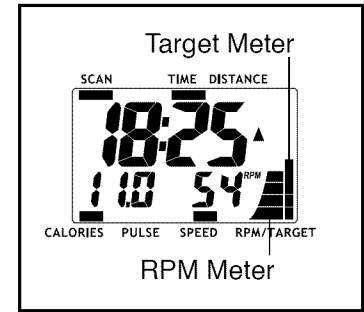
3. Begin pedaling to start the workout.

Each quick smart workout app consists of several one-minute segments. One resistance level and one target speed (rpm) are programmed for each segment.

Whenever the resistance is about to change, the resistance level will flash in the display for a few seconds. The resistance of the pedals will then automatically change to the resistance level programmed for the next segment.

If the resistance level for the current segment is too high or too low, you can manually override the setting by pressing the Resistance buttons. **IMPORTANT: When the current segment of the workout ends, the pedals will automatically adjust to the resistance level programmed for the next segment.**

The target speed settings for the workout will be shown by the target meter in the display. The RPM meter will show your actual pedaling speed.



As the target meter changes in height during the workout, adjust your pedaling speed so that the same number of bars appears in both meters. If your pedaling speed is slower than the current target speed, an arrow will appear next to the RPM meter to prompt you to increase your speed; if your pedaling speed is faster than the target speed, an arrow will prompt you to decrease your speed.

IMPORTANT: The target speed settings for the workout are intended only to provide a goal. Your actual pedaling speed may be slower than the target speed settings, especially during the first few months of your exercise workout. Make sure to pedal at a speed that is comfortable for you.

The display will show the time remaining in the workout. If you stop pedaling for a few seconds, the workout will pause and the time will flash in the display. To resume the workout, simply resume pedaling.

4. Follow your progress with the display.

See step 4 on page 14.

5. Measure your heart rate if desired.

See step 5 on page 15.

6. When you are finished exercising, the console will turn off automatically.

See step 6 on page 15.

FCC INFORMATION

This equipment has been tested and found to comply with the limits for a Class B digital device, pursuant to part 15 of the FCC Rules. These limits are designed to provide reasonable protection against harmful interference in a residential installation. This equipment generates, uses, and can radiate radio frequency energy and, if not installed and used in accordance with the instructions, may cause harmful interference to radio communications. However, there is no guarantee that interference will not occur in a particular installation. If this equipment does cause harmful interference to radio or television reception, which can be determined by turning the equipment off and on, try to correct the interference by one or more of the following measures:

- Reorient or relocate the receiving antenna.
- Increase the separation between the equipment and the receiver.
- Connect the equipment into an outlet on a circuit different from that to which the receiver is connected.
- Consult the dealer or an experienced radio/TV technician for help.

FCC CAUTION: To assure continued compliance, use only shielded interface cables when connecting to computer or peripheral devices. Changes or modifications not expressly approved by the party responsible for compliance could void the user's authority to operate this equipment.

MAINTENANCE AND TROUBLESHOOTING

Inspect and tighten all parts of the elliptical regularly. Replace any worn parts immediately.

To clean the elliptical, use a damp cloth and a small amount of mild dish soap. **IMPORTANT: Keep liquids away from the console and keep the console out of direct sunlight. During storage, remove the batteries from the console.**

CONSOLE TROUBLESHOOTING

Most console problems are the result of low batteries. See assembly step 12 on page 11 for replacement instructions. If the handgrip heart rate monitor does not function properly, see step 5 on page 15.

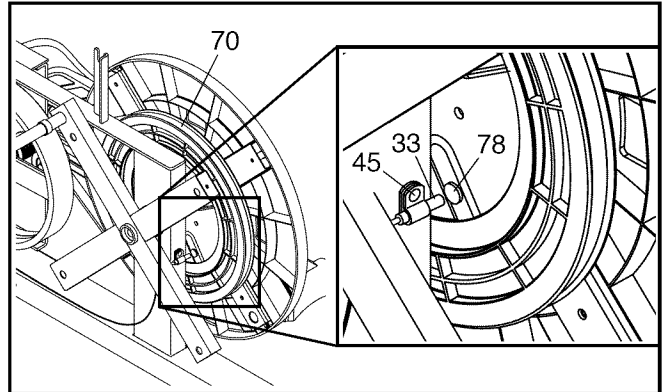
HOW TO ADJUST THE REED SWITCH

If the console does not display correct feedback, the reed switch should be adjusted.

See EXPLODED DRAWING B on page 23. Using a flat screwdriver, release the tabs on the Lower Upright Cover (83) and slide it upward.

Next, remove all of the screws from both shields. Then, carefully remove the left shield.

Locate the Reed Switch (33). Loosen, but do not remove, the M4 x 20mm Self-tapping Screw (45). Note: For clarity, the left crank disc is shown removed in the drawing below.



Next, rotate the Pulley (70) until a Magnet (78) is aligned with the Reed Switch (33). Slide the Reed Switch slightly toward or away from the Magnet. Then, retighten the M4 x 20mm Self-tapping Screw (45). Rotate the Pulley for a moment.

Repeat these actions until the console displays correct feedback. When the reed switch is correctly adjusted, reattach the shields and the lower upright cover.

EXERCISE GUIDELINES

⚠️ WARNING: Before beginning this or any exercise program, consult your physician. This is especially important for persons over age 35 or persons with pre-existing health problems.

The heart rate monitor is not a medical device. Various factors may affect the accuracy of heart rate readings. The heart rate monitor is intended only as an exercise aid in determining heart rate trends in general.

These guidelines will help you to plan your exercise program. For detailed exercise information, obtain a reputable book or consult your physician. Remember, proper nutrition and adequate rest are essential for successful results.

EXERCISE INTENSITY

Whether your goal is to burn fat or to strengthen your cardiovascular system, exercising at the proper intensity is the key to achieving results. You can use your heart rate as a guide to find the proper intensity level. The chart below shows recommended heart rates for fat burning and aerobic exercise.

165	155	145	140	130	125	115	♥
145	138	130	125	118	110	103	♥
125	120	115	110	105	95	90	♥
<hr/>							
20	30	40	50	60	70	80	

To find the proper intensity level, find your age at the bottom of the chart (ages are rounded off to the nearest ten years). The three numbers listed above your age define your “training zone.” The lowest number is the heart rate for fat burning, the middle number is the heart rate for maximum fat burning, and the highest number is the heart rate for aerobic exercise.

Burning Fat—To burn fat effectively, you must exercise at a low intensity level for a sustained period of time. During the first few minutes of exercise, your body uses carbohydrate calories for energy. Only after the first few minutes of exercise does your body begin to use stored fat calories for energy. If your goal is to burn fat, adjust the intensity of your exercise until your heart rate is near the lowest number in your training zone. For maximum fat burning, exercise with your heart rate near the middle number in your training zone.

Aerobic Exercise—If your goal is to strengthen your cardiovascular system, you must perform aerobic exercise, which is activity that requires large amounts of oxygen for prolonged periods of time. For aerobic exercise, adjust the intensity of your exercise until your heart rate is near the highest number in your training zone.

WORKOUT GUIDELINES

Warming Up—Start with 5 to 10 minutes of stretching and light exercise. A warm-up increases your body temperature, heart rate, and circulation in preparation for exercise.

Training Zone Exercise—Exercise for 20 to 30 minutes with your heart rate in your training zone. (During the first few weeks of your exercise program, do not keep your heart rate in your training zone for longer than 20 minutes.) Breathe regularly and deeply as you exercise; never hold your breath.

Cooling Down—Finish with 5 to 10 minutes of stretching. Stretching increases the flexibility of your muscles and helps to prevent post-exercise problems.

EXERCISE FREQUENCY

To maintain or improve your condition, complete three workouts each week, with at least one day of rest between workouts. After a few months of regular exercise, you may complete up to five workouts each week, if desired. Remember, the key to success is to make exercise a regular and enjoyable part of your everyday life.

PART LIST

Model No. 831.21904.0 R1112A

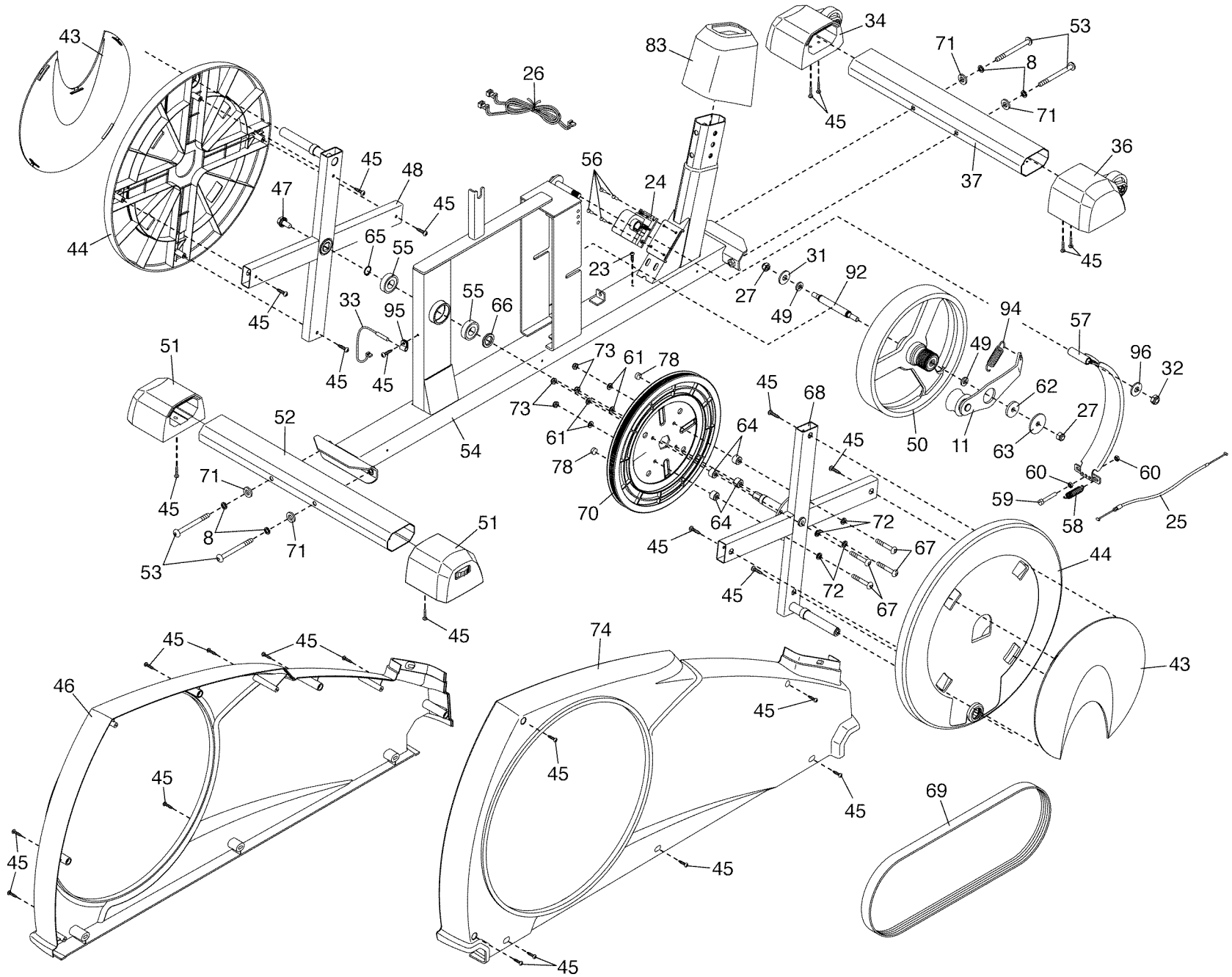
Key No.	Qty.	Description	Key No.	Qty.	Description
1	1	Console	45	35	M4 x 20mm Self-tapping Screw
2	4	M4 x 16mm Screw	46	1	Left Shield
3	2	M4 x 20mm Pulse Sensor Screw	47	1	5/16" x 25mm Screw
4	1	Handlebar	48	1	Left Crank Arm
5	2	Foam Grip	49	2	M8 x 14mm Washer
6	2	Pulse Sensor/Wire	50	1	Flywheel
7	6	M8 x 20mm Screw	51	2	Leveling Foot
8	14	M8 Split Washer	52	1	Rear Stabilizer
9	1	Upright	53	4	M8 x 82mm Screw
10	6	M10 Washer	54	1	Frame
11	1	Idler	55	2	Bearing
12	2	Upper Body Cap	56	4	M4 x 10mm Screw
13	1	Left Upper Body Arm	57	1	C-magnet
14	2	Upper Body Foam	58	1	Resistance Spring
15	1	Right Upper Body Arm	59	1	M5 x 40mm Bolt
16	1	Extension Wire	60	2	M5 Hex Nut
17	2	Handlebar Cap	61	4	M6 Washer
18	4	M8 x 38mm Washer	62	1	Idler Pivot Spacer
19	4	D-washer	63	1	Idler Spacer
20	12	Bushing	64	4	Pulley Spacer
21	1	Left Upper Body Leg	65	1	Snap Ring
22	4	M8 x 36mm Bolt	66	1	Crank Spacer
23	1	M4 x 20mm Self-tapping Bright Screw	67	4	M6 x 28mm Bolt
24	1	Resistance Motor	68	1	Right Crank Arm
25	1	Resistance Cable	69	1	Drive Belt
26	1	Main Wire	70	1	Pulley
27	8	M8 Locknut	71	10	M8 Washer
28	4	M16 Washer	72	4	M6 Split Washer
29	1	Left Upright Cover	73	4	M6 Locknut
30	2	M10 x 76mm Bolt	74	1	Right Shield
31	1	M8 x 20mm Washer	75	1	Right Pedal Arm
32	7	M10 Locknut	76	1	Right Pedal
33	1	Reed Switch/Wire	77	2	Pedal Arm Axle
34	1	Left Front Cap	78	2	Magnet
35	4	M8 x 16mm Screw	79	6	M3 x 20mm Screw
36	1	Right Front Cap	80	1	Right Upper Body Leg
37	1	Front Stabilizer	81	1	Right Upright Cover
38	2	M8 x 78mm Bolt	82	2	Wave Washer
39	4	M10 x 45mm Bolt	83	1	Lower Upright Cover
40	1	Left Pedal	84	1	Left Pedal Arm Cover
41	1	Left Pedal Arm	85	1	Right Pedal Arm Cover
42	1	M8 x 20mm Left-threaded Screw	86	1	Left Handlebar Cover
43	2	Crank Cover	87	1	Right Handlebar Cover
44	2	Crank Disc	88	2	Upper Body Cover A
			89	2	Upper Body Cover B

Key No.	Qty.	Description	Key No.	Qty.	Description
90	2	Left Upper Body Leg Cover	95	1	Clamp
91	2	Right Upper Body Leg Cover	96	1	M10 x 14mm Washer
92	1	Flywheel Axle	*	–	Grease Packet
93	6	M4 x 20mm Screw	*	–	Assembly Tool
94	1	Tension Spring	*	–	User's Manual

Note: Specifications are subject to change without notice. For information about ordering replacement parts, see the back cover of this manual. **If a part is missing, call 1-866-669-3756.** *These parts are not illustrated.

EXPLODED DRAWING B

Model No. 831.21904.0 R1112A



Get it fixed, at your home or ours!

Your Home

For repair—in **your home**—of **all** major brand appliances, lawn and garden equipment, or heating and cooling systems, **no matter who made it, no matter who sold it!**

For the replacement parts, accessories, and user's manuals that you need to do-it-yourself.

For Sears professional installation of home appliances and items like garage door openers and water heaters.

1-800-4-MY-HOME® (1-800-469-4663)

Call anytime, day or night (U.S.A. and Canada)

www.sears.com

www.sears.ca

Our Home

For repair of carry-in items like vacuums, lawn equipment, and electronics, call or go on-line for the location of your nearest **Sears Parts & Repair Center.**

1-800-488-1222 Call anytime, day or night (U.S.A. only)

www.sears.com

To purchase a protection agreement (U.S.A.) or maintenance agreement (Canada) on a product serviced by Sears:

1-800-827-6655 (U.S.A.)

1-800-361-6665 (Canada)

Para pedir servicio de reparación a domicilio, y para ordenar piezas:

1-888-SU-HOGAR® (1-888-784-6427)



® Registered Trademark / ™ Trademark / ™ Service Mark of Sears Brands, LLC
® Marca Registrada / ™ Marca de Fábrica / ™ Marca de Servicio de Sears Brands, LLC

90 DAY FULL WARRANTY

If this Sears Elliptical Exerciser fails due to a defect in material or workmanship within 90 days of the date of purchase, call 1-800-4-MY-HOME® (1-800-469-4663) to arrange for free repair (or replacement if repair proves impossible).

This warranty does not apply when the Elliptical Exerciser is used commercially or for rental purposes.

This warranty gives you specific legal rights, and you may also have other rights which vary from state to state.

Sears, Roebuck and Co., Hoffman Estates, IL 60179